



PIAGGIO & C.s.p.a.

aprilia

SPARE PARTS CATALOGUE

SR Motard 50 4T 4V 2013-14 usa MY15

Chassis prefix: ZD4CS5,
Engine prefix:

Index

Finished products.....	4
Alphanumeric index.....	5
Engine.....	9
Table 01.02 - Engine, assembly.....	9
Table 01.05 - Crankcase.....	10
Table 01.06 - Crankshaft.....	11
Table 01.07 - Cylinder-piston-wrist pin unit.....	12
Table 01.10 - Head unit - Valve.....	13
Table 01.11 - Rocking levers support unit.....	14
Table 01.12 - Cylinder head cover.....	15
Table 01.13 - Driving pulley.....	16
Table 01.14 - Driven pulley.....	17
Table 01.15 - Crankcase cover - Crankcase cooling.....	18
Table 01.18 - Oil pump.....	19
Table 01.20 - Stater - Electric starter.....	21
Table 01.21 - Flywheel magneto.....	22
Table 01.23 - Flywheel magneto cover - Oil filter.....	23
Table 01.25 - Reduction unit.....	24
Table 01.35 - Rear brake - Brake jaw.....	25
Table 01.39 - Carburettor, assembly - Union pipe.....	26
Table 01.40 - Carburetor's components.....	27
Table 01.42 - Silencer.....	28
Table 01.45 - Air filter.....	29
Table 01.46 - Secondary air box.....	30
Frame - Plastic parts - Coachwork.....	31
Table 02.01 - Frame/bodywork.....	31
Table 02.25 - Stand/s.....	32
Table 02.26 - Front shield.....	33
Table 02.30 - Front glove-box - Knee-guard panel.....	34
Table 02.31 - Central cover - Footrests.....	35
Table 02.32 - Side cover - Spoiler.....	36
Table 02.33 - Wheel housing - Mudguard.....	37
Table 02.34 - Helmet housing - Undersaddle.....	38
Table 02.37 - Rear cover - Splash guard.....	39
Table 02.38 - Plates - Emblems.....	40
Table 02.39 - Saddle/seats - Tool roll.....	42
Table 02.45 - Driving mirror/s.....	43
Table 02.46 - Locks.....	44
Table 02.47 - Fuel tank.....	45
Handlebars/Steering.....	46
Table 03.01 - Handlebars coverages.....	46
Table 03.02 - Meter combination - Cruscotto.....	47
Table 03.06 - Handlebars - Master cil.....	48

Suspensions - Wheels.....	49
Table 04.01 - Swinging arm.....	49
Table 04.02 - Fork/steering tube - Steering bearing unit.....	50
Table 04.10 - Rear suspension - Shock absorber/s.....	51
Table 04.11 - Front wheel.....	52
Table 04.12 - Rear wheel.....	53
Braking system - Transmissions.....	54
Table 05.01 - Brakes pipes - Calipers.....	54
Table 05.03 - Transmissions.....	55
Electrical system.....	56
Table 06.01 - Selectors - Switches - Buttons.....	56
Table 06.03 - Front headlamps - Turn signal lamps.....	57
Table 06.04 - Rear headlamps - Turn signal lamps.....	58
Table 06.05 - Remote control switches - Battery - Horn.....	59
Table 06.06 - Voltage Regulators - Electronic Control Units (ecu) - H.T. Coil.....	60
Table 06.08 - Main cable harness.....	61

Finished products

Code	Validity
ESCB000CA1	
ESCB000CA2	
ESCB000CA3	
ESCB000CA4	
ESCB000US1	
ESCB000US2	
ESCB000US3	
ESCB000US4	
ESCB87ACA1	
ESCB87ACA2	
ESCB87ACA3	
ESCB87ACA4	
ESCB87AUS2	
ESCB87AUS4	
ESCB90ACA1	
ESCB90ACA2	
ESCB90ACA3	
ESCB90ACA4	
ESCB90AUS1	
ESCB90AUS2	
ESCB90AUS3	
ESCB90AUS4	
ESCBAOACA1	
ESCBAOACA2	
ESCBAOACA3	
ESCBAOAUS2	
ESCBAOAUS3	

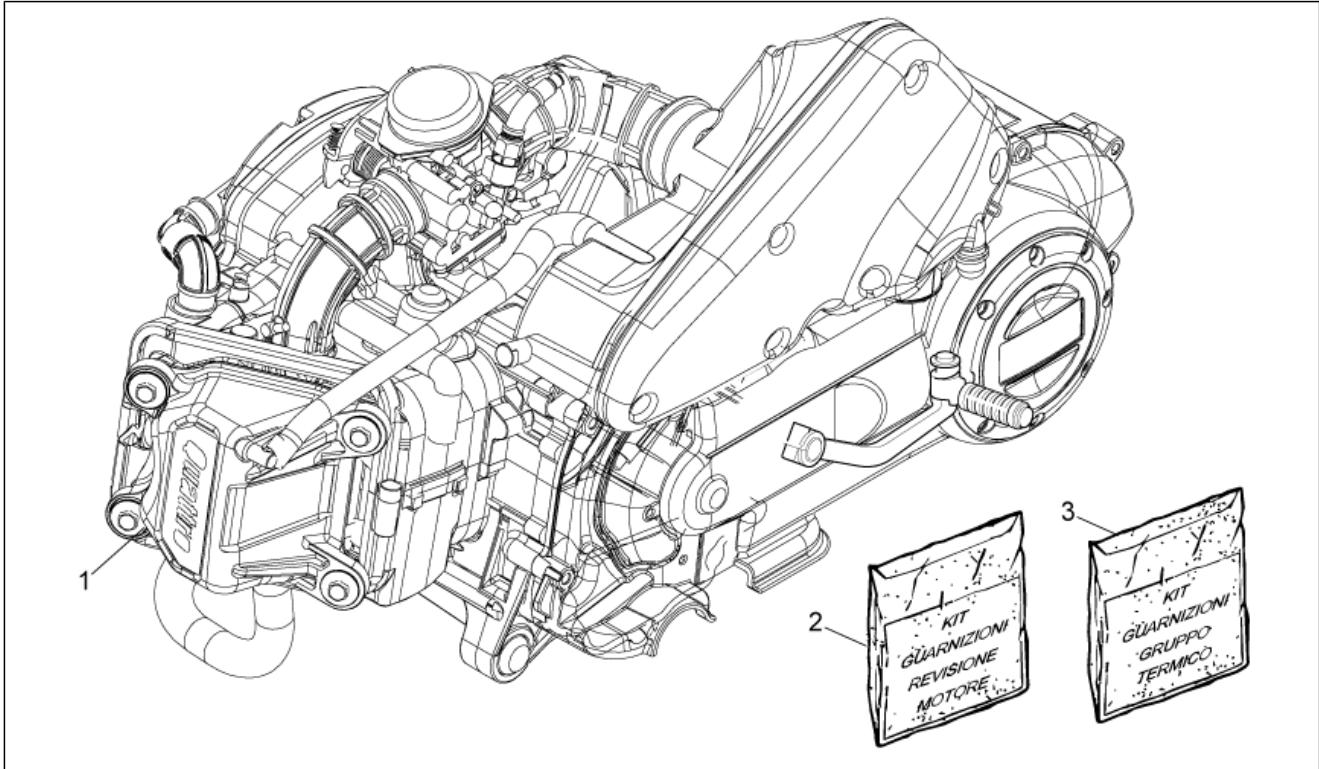
Code	No. table	Pos.	Code	No. table	Pos.	Code	No. table	Pos.
000267	01.21	5	184142	02.32	3	271807	04.01	14
000397	01.05	19	184142	02.32	6	272176	04.01	11
000397	01.25	11	184142	06.04	4	272750	04.01	8
002440	02.25	6	194423	04.12	7	272836	02.33	2
002440	04.01	15	196868	02.47	10	272836	06.03	11
002440	04.10	5	197983	04.12	9	272921	01.25	4
003056	01.45	12	1D000072	03.02	1	273099	04.12	5
003056	06.08	6	1D000073	03.02	1	273419	01.35	4
003058	02.37	16	231027	02.47	5	273460	04.01	9
0037514	04.02	16	239388	01.05	3	273754	02.25	4
004021	01.11	6	239388	01.07	9	274489	03.06	11
006078	01.39	18	239388	01.15	5	274491	03.06	10
006416	01.20	13	242364	01.35	10	277916	01.10	13
006416	04.01	12	248419	01.39	23	285536	01.23	2
006624	01.14	4	252420	02.30	6	286209	01.15	4
006632	01.11	9	253937	02.46	9	286214	01.20	14
006647	01.25	2	254485	01.45	13	286217	01.20	17
008457	03.01	2	254485	02.31	10	286218	01.20	18
00H01004131	06.03	2	254485	02.33	3	286219	01.20	16
00H02500272	01.42	7	254485	06.05	10	287913	01.18	5
0111094	04.02	17	254485	06.05	7	2879633	01.18	17
012112	01.39	19	254485	06.06	3	288041	01.20	15
012533	01.45	11	257134	01.15	14	288245	06.03	12
012543	03.06	4	257134	01.20	20	288245	06.04	19
012554	06.06	14	257134	01.39	8	288474	01.23	4
012789	04.12	8	257134	06.06	11	288548	01.23	1
013763	02.37	12	257617	02.30	11	288639	01.25	6
015330	03.06	5	258146	01.45	2	289005	01.21	7
015585	01.11	5	259151	01.46	7	289495	01.20	11
015856	01.21	6	259349	02.30	13	289519	01.13	11
015856	01.46	15	259349	02.30	5	289519	01.14	16
015996	02.37	10	259349	02.31	9	289731	01.15	7
016060	01.10	3	259349	02.34	6	289840	01.14	9
016404	01.20	6	259349	02.34	9	289931	01.13	2
016404	02.37	11	259349	02.37	20	289933	01.14	15
016404	06.04	17	259372	02.34	3	289950	01.14	8
016406	02.47	3	259577	01.12	11	289952	01.14	5
016406	06.08	5	259708	02.33	7	289955	01.14	14
016666	06.06	18	259830	06.04	11	290404	06.08	2
018591	06.04	16	265249	03.06	14	290860	06.08	3
018639	01.20	2	265300	01.13	10	292022	06.04	14
018639	01.39	6	266040	05.03	6	294131	06.03	3
018640	01.45	10	266625	01.05	8	296743	02.39	4
018644	01.20	5	266724	01.35	2	297498	02.30	7
020003	06.06	15	267115	03.01	4	298581	02.46	4
020008	04.10	7	267115	03.01	6	298594	02.46	6
020104	02.37	13	267823	01.05	7	298604	02.01	2
020104	06.04	18	267948	03.06	15	298731	02.46	3
030039	01.39	15	268158	04.10	3	298838	02.46	7
030115	02.25	3	268304	02.47	4	298903	02.46	5
031089	01.18	26	268596	02.31	4	319242	01.10	11
031092	02.47	2	268596	02.39	5	327187	04.11	2
031116	04.01	10	268596	03.02	4	414837	01.18	10
080341	06.06	10	269136	02.39	9	414837	01.20	19
080341	06.06	9	269755	01.05	20	430264	01.12	3
123394	03.06	16	269755	01.25	12	430535	01.18	21
123394	03.06	8	270310	05.03	4	431242	01.23	3
127927	05.01	7	270723	02.26	4	431860	01.05	12
129953	06.04	2	270723	02.30	2	431860	01.15	3
145298	01.20	4	270723	02.31	6	433477	01.18	2
145298	01.39	21	270723	06.03	4	433987	01.20	12
145298	05.03	5	270793	01.12	12	434345	01.18	16
145298	06.06	12	270793	02.31	2	434447	01.18	8
164634	03.02	3	270991	04.11	8	434541	01.11	12
178790	03.06	3	270991	04.12	3	434541	06.05	6
179640	05.03	3	271147	04.11	10	434541	06.06	2
184142	02.32	14	271740	04.11	7	434541	06.06	5

Code	No. table	Pos.	Code	No. table	Pos.	Code	No. table	Pos.
434735	01.25	3	576189	06.05	11	642318	06.05	1
434943	01.11	10	576702	02.38	8	643133	02.46	8
434947	01.18	4	576704	02.38	10	647384	01.35	5
435251	01.15	13	576707	02.38	12	650075	04.02	19
435295	01.15	10	576708	02.38	6	650693	04.02	18
435363	01.05	10	576953	02.38	3	650983	05.01	2
435363	01.05	5	577492	02.39	2	651502	05.01	6
436695	01.11	13	577557	02.47	11	652695	02.39	8
436695	01.18	6	58057R	06.01	4	655151	04.01	16
436751	01.18	3	58058R	06.01	3	655554	03.06	2
478028	01.14	11	58093R	06.05	5	656021	02.47	7
478115	01.05	9	58120R	06.06	6	656022	02.47	6
478197	01.25	9	581248	02.25	8	6574610087	02.26	1
478247	01.18	27	581249	02.25	7	6574610090	02.26	1
4783245	01.18	15	581560	02.25	2	65746100AO	02.26	1
478498	01.25	5	582298	02.25	5	65746200XH1	02.26	8
478533	01.46	3	58233R	02.37	7	65746300XH1	02.26	7
478895	01.05	16	582428	02.37	6	6574660087	02.32	4
479132	01.45	8	58246R	06.05	8	6574660090	02.32	4
4795526	01.14	2	583236	06.06	13	65746600AO	02.32	4
479561	01.13	7	583575	06.01	6	6574670087	02.32	1
479986	01.18	14	584332	06.03	6	6574670090	02.32	1
480066	01.05	6	584332	06.03	9	65746700AO	02.32	1
480227	01.13	3	584332	06.04	6	65746800XH1	02.26	6
480230	01.13	5	584332	06.04	9	65746900XH1	02.37	2
480953	01.05	4	584810	06.05	4	657472	02.37	1
482291	01.15	6	598918	05.03	2	6574720090	02.37	1
482766	01.14	6	598919	05.01	3	65747300XH1	02.37	3
483443	01.14	10	5A000289	02.38	23	657512	02.47	1
483537	01.20	9	5A000290	02.38	24	664045	04.02	20
483785	01.05	15	5A000291	02.38	23	664170	02.26	9
484123	01.05	18	5A000292	02.38	24	664219	04.01	7
484123	01.18	19	600482	04.02	12	664303	02.32	9
484123	01.21	9	600485	04.02	4	664305	02.32	10
484123	01.39	22	600486	04.02	10	664306	02.26	12
486081	01.05	14	600486	04.02	13	664307	02.26	10
487211	01.25	10	600490	04.02	5	664308	02.26	13
487665	01.39	17	600495	04.02	10	664309	02.26	11
487665	01.42	5	600496	04.02	14	664310	02.37	4
487824	01.18	11	601205	04.12	4	664359	06.03	7
487935	01.14	12	601401	04.02	11	664359	06.04	7
497041	03.06	18	623995	02.38	2	664361	06.03	10
497555	01.02	3	624522	02.47	14	664361	06.04	10
497556	01.02	2	638626	06.01	5	664434	02.37	5
497616	01.11	4	638628	06.01	2	664454	02.26	14
56127R	04.01	2	638953	01.21	2	664454	02.32	11
56127R	04.01	5	639498	06.06	10	664457	06.04	3
561714	04.11	9	639632	01.39	20	66609100XH1	02.33	1
562923	03.06	9	641040	06.06	8	666261	04.02	2
56293R	01.35	1	641204	06.08	4	666262	04.02	3
563728	04.12	6	641387	01.12	16	666286	04.12	1
563977	04.01	13	641725	06.06	7	666311	04.11	1
56411R	04.01	1	641764	01.39	7	666313	02.25	1
56434R	04.11	11	641788	06.06	1	666421	03.06	7
564475	04.11	4	641825	06.01	1	666727	02.39	12
564527	04.11	3	642018	02.37	8	666821	04.10	2
564606	02.37	15	6420190090	03.02	5	666822	04.10	1
564681	03.06	13	642021	06.03	1	666823	04.10	4
575249	02.30	9	642022	06.04	1	666929	05.03	8
575249	02.31	11	642023	06.03	5	666930	05.03	1
575249	02.32	13	642023	06.04	5	668484	04.02	1
575249	02.33	4	642024	06.03	8	671448	02.38	5
575249	02.33	8	642024	06.04	8	671449	02.38	4
575249	02.34	2	642195	06.05	2	671452	02.38	9
575249	02.37	19	642211	06.06	16	67207000XH1	02.33	6
575321	02.47	9	642290	01.39	14	672185	02.37	18
575819	02.30	12	642292	01.20	3	672186	02.37	17

Code	No. table	Pos.	Code	No. table	Pos.	Code	No. table	Pos.
67219000XH1	02.34	1	833722	01.46	14	856462	02.39	3
672327	02.39	6	833788	01.35	6	856463	02.39	7
672750	02.01	1	834187	01.42	8	856465	02.39	11
673913	02.38	11	841622	01.40	21	856466	02.39	10
675331	02.39	1	841623	01.40	20	85647100XH1	02.30	3
677056	02.38	13	8416865	01.25	7	856472	02.30	4
677057	02.38	14	8416875	01.25	8	856473	02.30	8
677058	02.38	17	841821	01.42	3	85647400XH1	02.30	14
677059	02.38	18	842161	01.05	2	858180	06.04	13
677060	02.38	15	842166	01.11	11	85824300XH1	02.31	3
677061	02.38	16	842174	01.11	14	858306	06.04	12
677062	02.38	1	842200	01.11	1	858318	04.02	15
677063	02.38	19	842201	01.11	2	858319	04.02	6
677064	02.38	20	842360	01.10	15	858320	04.02	9
677065	02.38	21	843194	01.45	3	858321	04.02	8
677066	02.38	22	843195	01.45	4	858322	04.02	7
677067	02.38	13	843213	01.39	16	858334	06.04	15
677068	02.38	14	843307	01.10	5	858537	02.45	1
677069	02.38	17	843338	01.10	8	858538	02.45	2
677070	02.38	18	843525	01.46	8	858542	05.03	9
677071	02.38	15	843849	01.45	6	858543	05.01	5
677072	02.38	16	844470	01.42	9	860139	05.03	7
677073	02.38	21	844483	04.10	6	860193	02.46	1
677074	02.38	22	844721	01.18	13	860535	03.02	6
679237	06.08	1	844871	01.18	9	860536	02.32	2
679249	04.11	5	844888	01.18	18	860536	02.32	5
679249	04.12	2	844964	01.15	8	860691	02.46	2
679464	02.37	9	845339	01.12	6	860902	04.01	4
709047	05.01	4	845423	01.10	1	871889	01.10	7
709532	01.39	10	845426	01.11	7	8722275	01.15	1
709532	01.39	3	845611	01.13	8	872272	01.10	9
709674	05.01	8	845737	01.39	4	872305	01.10	4
82521R	01.15	2	845776	01.10	2	872627	01.10	10
82622R	01.10	14	845776	01.42	11	872635	01.12	17
82650R	01.18	28	845951	01.10	6	872997	02.45	4
82655R	01.14	3	846991	01.12	15	873270	01.39	13
827085	01.05	22	846992	01.12	9	8733356	01.05	1
82712R	01.13	6	846993	01.12	10	8734660001	01.07	2
82758R	01.46	5	847928	01.18	30	8734660002	01.07	2
827831	01.45	9	848680	01.39	2	8734660003	01.07	2
827893	01.14	7	848990	01.12	1	8734660004	01.07	2
82798R	01.21	1	848993	01.12	7	873467	01.07	1
8282335	01.05	13	849012	01.12	2	873979	01.21	4
828561	01.18	25	849013	01.12	4	876483	01.46	12
828662	01.12	13	852700	02.34	7	876819	01.40	2
828825	01.40	19	85299000XH1	02.34	5	876820	01.40	3
828844	01.40	6	853047	03.06	1	876821	01.40	1
828862	01.35	7	8530500090	03.01	5	876822	01.40	13
828863	01.35	8	853058	04.11	6	876823	01.40	16
82961R	01.39	9	85306100XH1	02.31	1	876824	01.40	14
830056	01.45	5	853072	03.06	19	876826	01.40	9
830061	06.06	17	853074	02.45	3	877075	01.13	9
830212	01.20	10	85309600XH1	02.33	5	877262	01.18	1
830249	01.12	5	85643100XH1	02.31	5	878130	01.42	6
830286	01.21	8	85643300XH1	02.30	1	880323	01.02	1
831458	01.20	8	85643600XH1	02.26	3	880900	01.42	1
832059	01.46	13	856437	02.30	10	880901	01.42	2
832130	01.05	21	856440	03.02	2	880953	01.46	1
832971	01.46	2	856446	04.01	17	890103	02.34	8
832972	01.46	6	85645000XH1	02.31	7	890235	06.03	14
832973	01.46	4	85645100XH1	02.31	8	890236	06.03	13
833472	01.46	10	85645200XH1	02.32	7	890262	06.03	15
833494	01.42	10	85645300XH1	02.32	8	890263	06.03	16
833495	01.18	20	856454	02.32	12	890424	02.30	15
833632	01.21	3	8564540090	02.32	12	8909800090	03.01	1
833722	01.18	29	856455	03.06	20	895095	06.04	20
833722	01.18	7	856459	02.37	14	969028	01.05	11

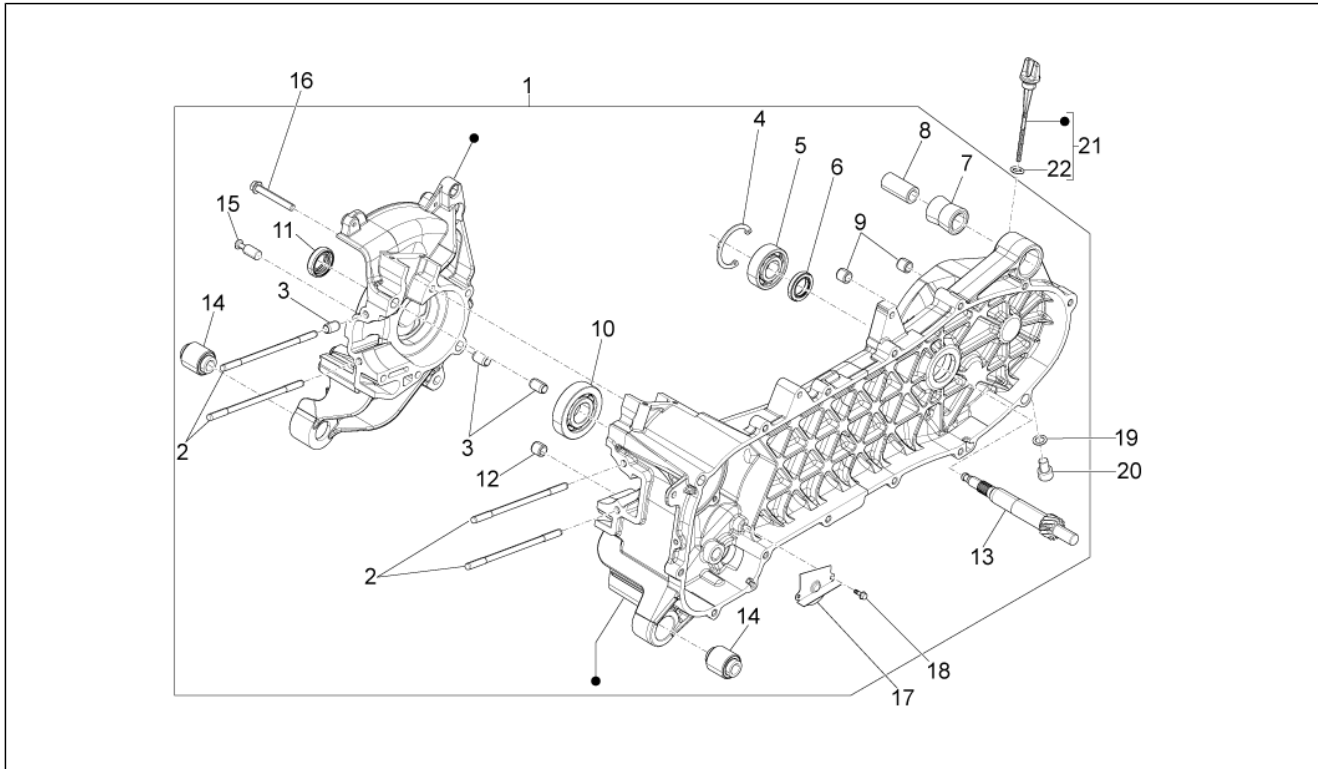
Code	No. table	Pos.	Code	No. table	Pos.
969132	01.18	12	CM144321	01.11	3
969213	01.07	4	CM144322	01.11	3
969214	01.07	3	CM144323	01.11	3
969215	01.07	7	CM144324	01.11	3
969216	01.07	6	CM144325	01.11	3
969217	01.07	5	CM144326	01.11	3
96921R	01.20	1	CM144327	01.11	3
969224	01.10	12	CM144328	01.11	3
969229	01.07	8	CM144329	01.11	3
96922R	01.20	7	CM144330	01.11	3
969230	01.07	8	CM144331	01.11	3
96925R	01.06	2	CM144332	01.11	3
96926R	01.11	8	CM144333	01.11	3
969296	06.05	3	CM147102	01.40	11
969296	06.05	9	CM158005	01.39	1
969339	01.12	14	CM160102	01.40	8
96933R	01.18	24	CM160201	01.40	18
969428	01.06	1	CM160301	01.40	12
969625	01.05	17	CM160802	01.40	5
969747	01.18	22	CM162201	01.25	13
969804	01.15	9	CM162903	01.40	17
969877	01.18	23	CM178401	02.47	15
969899	01.15	11	D9004461432	01.46	16
969921	01.15	12			
AP8152298	01.42	4			
B013216	01.45	1			
B014502	01.35	3			
B014507	01.35	9			
B0146385	01.25	1			
B018773	01.40	22			
B045974	02.38	7			
CM001903	01.46	9			
CM001904	01.12	18			
CM001905	01.46	11			
CM001911	01.39	11			
CM001912	02.47	13			
CM002901	01.39	12			
CM002901	02.47	17			
CM002902	01.39	24			
CM002910	01.45	7			
CM002917	01.12	8			
CM017409	03.01	3			
CM017409	06.05	12			
CM017410	02.26	2			
CM017410	02.26	5			
CM017410	02.34	4			
CM025711	02.47	8			
CM027909	01.39	5			
CM027916	02.47	12			
CM027916	02.47	16			
CM060986	03.06	6			
CM063805	03.06	12			
CM064303	03.06	17			
CM067801	04.01	6			
CM067803	04.01	3			
CM068310	05.01	1			
CM088402	06.06	4			
CM100107	01.14	1			
CM1002025	01.14	13			
CM1102035	01.13	4			
CM110304	01.13	1			
CM140212	01.40	4			
CM142101	01.40	10			
CM142302	01.40	15			
CM142914	01.40	7			
CM144319	01.11	3			
CM144320	01.11	3			

Group	Engine
Code	01.02
Description	Engine, assembly
Service	1



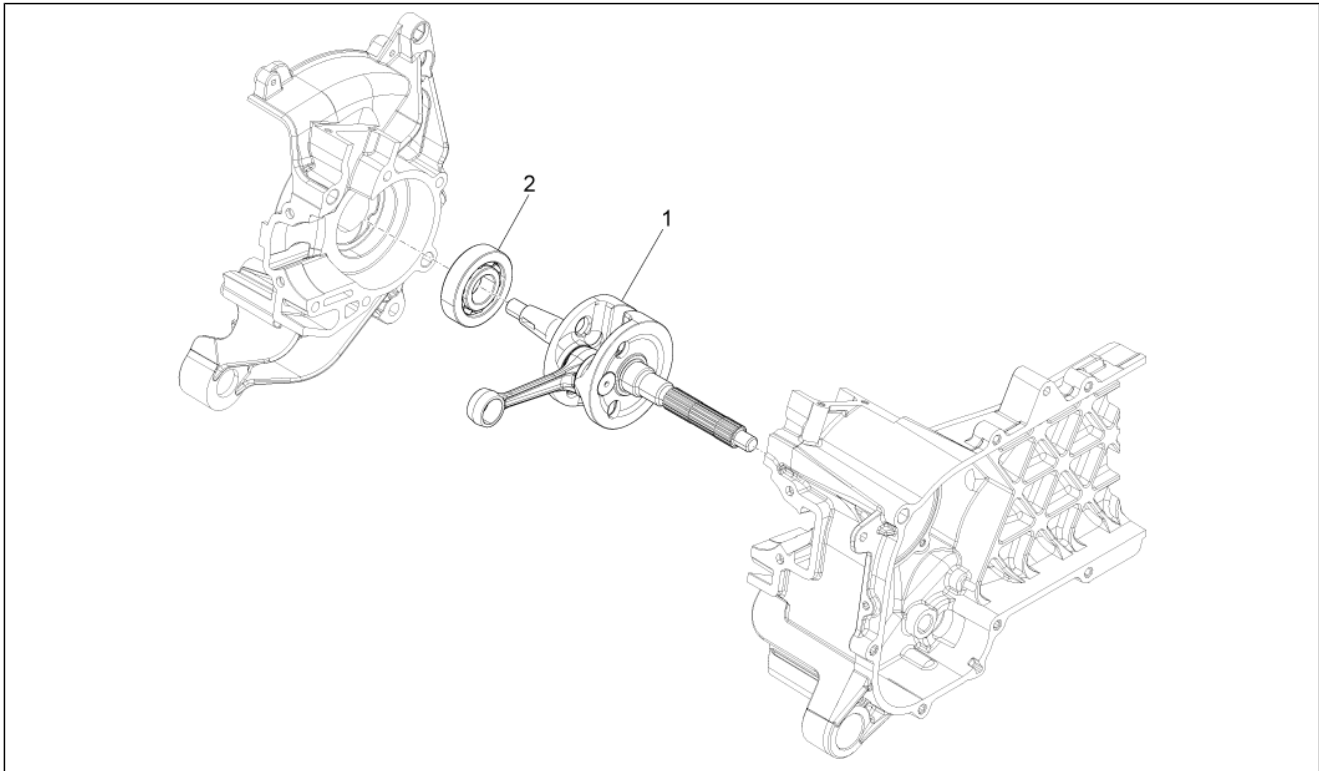
Pos.	Code	Description	Qty	Variants
1	880323	Engine cpl.	1	
2	497556	Kit guarnizioni completo	1	
3	497555	Thermal group service gasket kit	1	

Group	Engine
Code	01.05
Description	Crankcase
Service	1



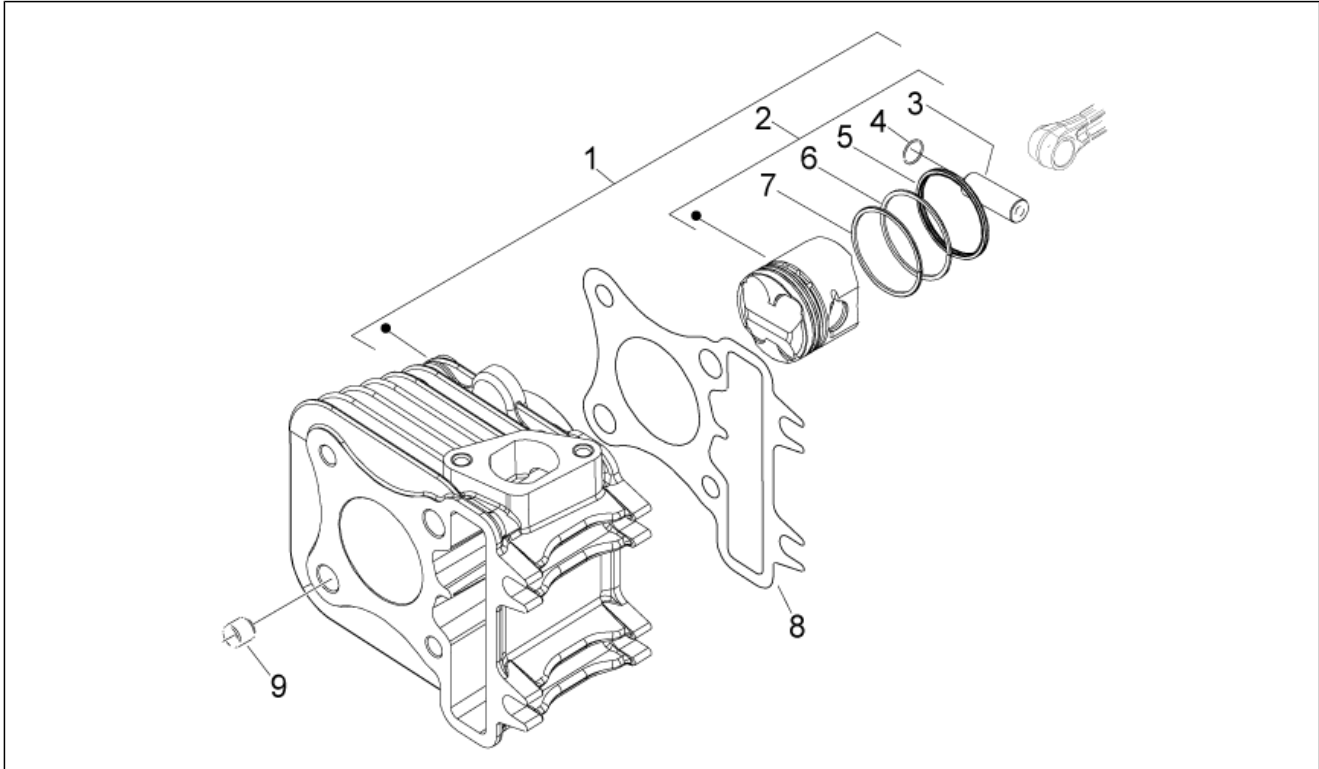
Pos.	Code	Description	Qty	Variants
1	8733356	Crankcase	1	
2	842161	Stud bolt	4	
3	239388	Pin 6,5x9,5x15	2	
4	480953	Snap ring	1	
5	435363	Bearing	1	
6	480066	Gasket ring	1	
7	267823	Shock absorber connection silent block	1	
8	266625	Spacer	1	
9	478115	Locating dowel $\varnothing 11 \times \varnothing 8,1 \times 10$	2	
10	435363	Bearing	1	
11	969028	Gasket ring 17x28x07	1	
12	431860	Bush $\varnothing 8 \times \varnothing 12 \times 8$	1	
13	8282335	Driven pulley shaft Z=13	1	
14	486081	Silent-block	2	
15	483785	Springs fixing pin	1	
16	478895	Screw w/ flange	10	
17	969625	Oil bulhead	1	
18	484123	Screw w/ flange	2	
19	000397	Gasket	1	
20	269755	Hex socket screw M8x12	1	
21	832130	Complete oil level dipstick	1	
22	827085	Gasket ring 14,43x9,19x2,62	1	

Group	Engine
Code	01.06
Description	Crankshaft
Service	1



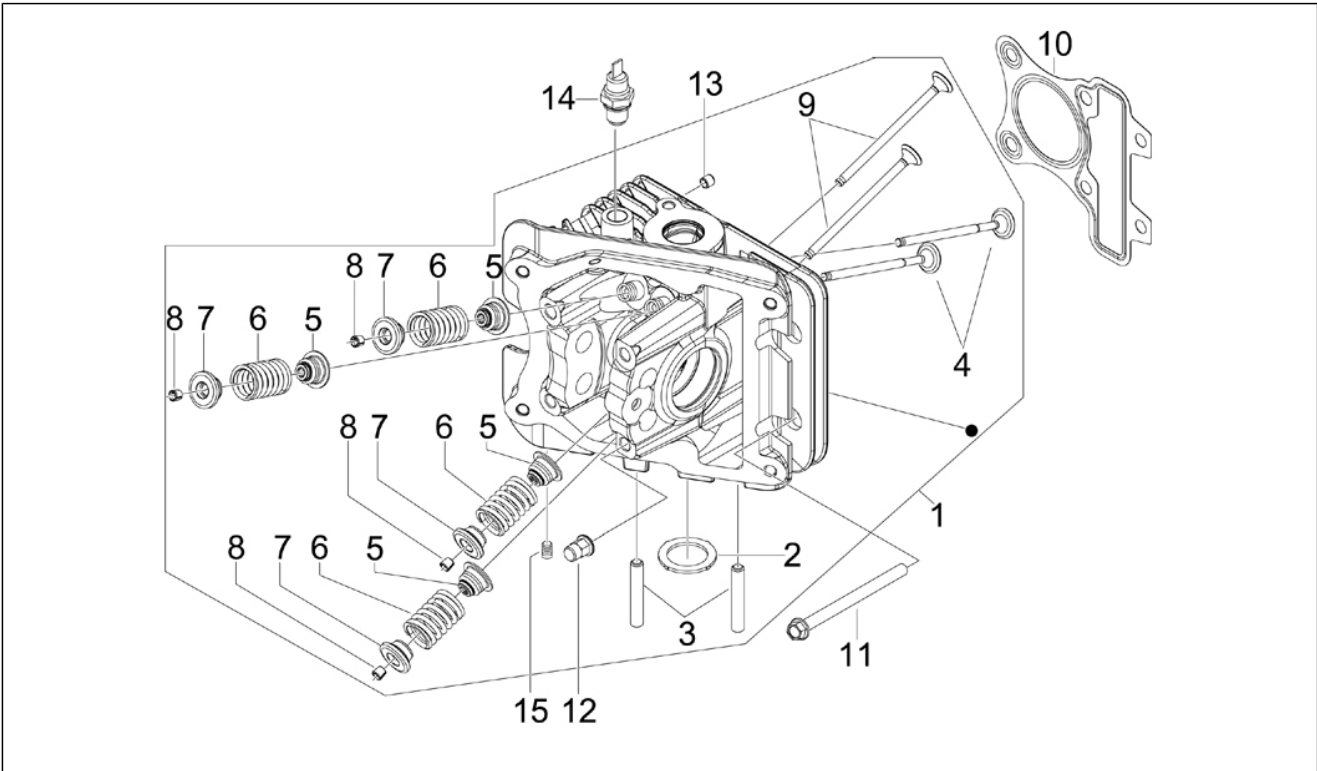
Pos.	Code	Description	Qty	Variants
1	969428	Crankshaft cpl.	1	
2	96925R	Bearing	1	

Group	Engine
Code	01.07
Description	Cylinder-piston-wrist pin unit
Service	1



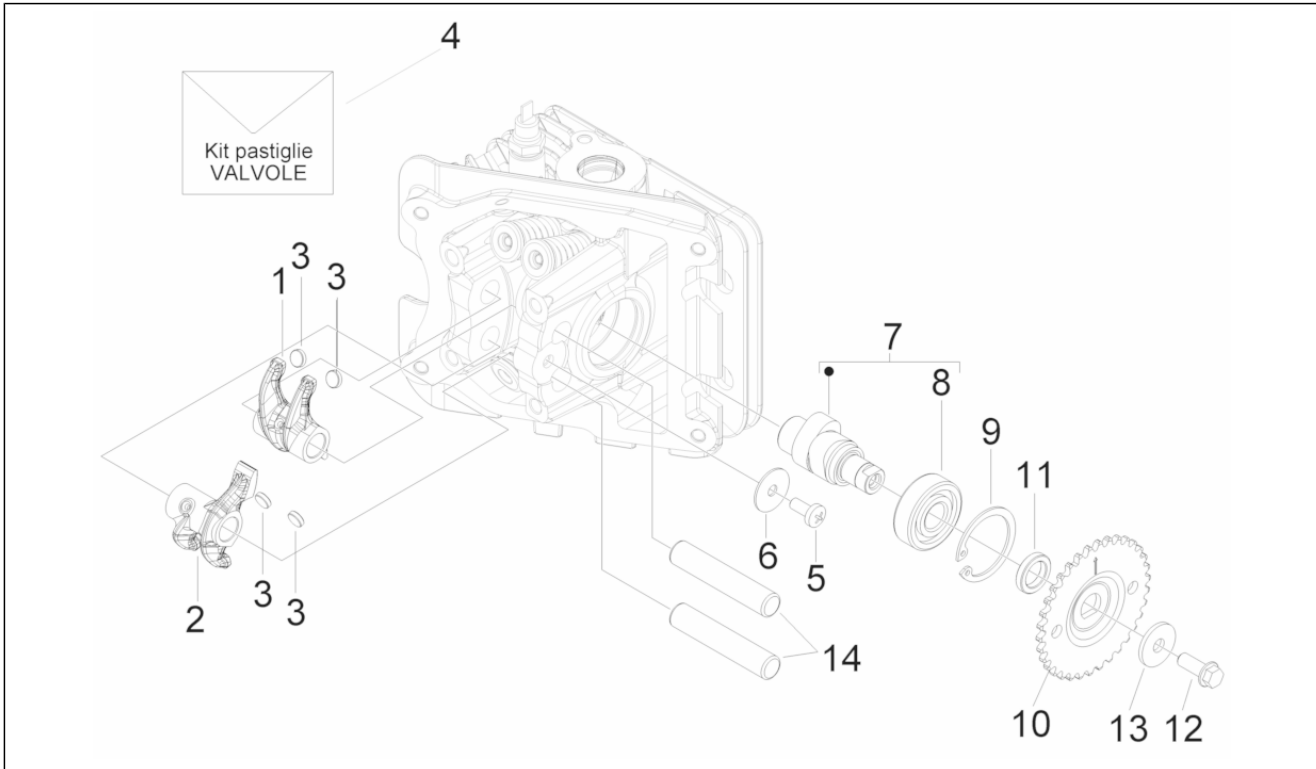
Pos.	Code	Description	Qty	Variants
1	873467	Cylinder with piston	1	
2	8734660001	Piston assy Cat.1	1	
2	8734660002	Piston assy Cat.2	1	
2	8734660003	Piston assy Cat.3	1	
2	8734660004	Piston assy Cat.4	1	
3	969214	Piston pin	1	
4	969213	Pin retainer circlip	2	
5	969217	Oil scraper ring	1	
6	969216	Ring	1	
7	969215	Ring	1	
8	969229	Cylinder base gasket 0,4	1	
8	969230	Cylinder base gasket 0,5	1	
9	239388	Pin 6,5x9,5x15	2	

Group	Engine
Code	01.10
Description	Head unit - Valve
Service	1



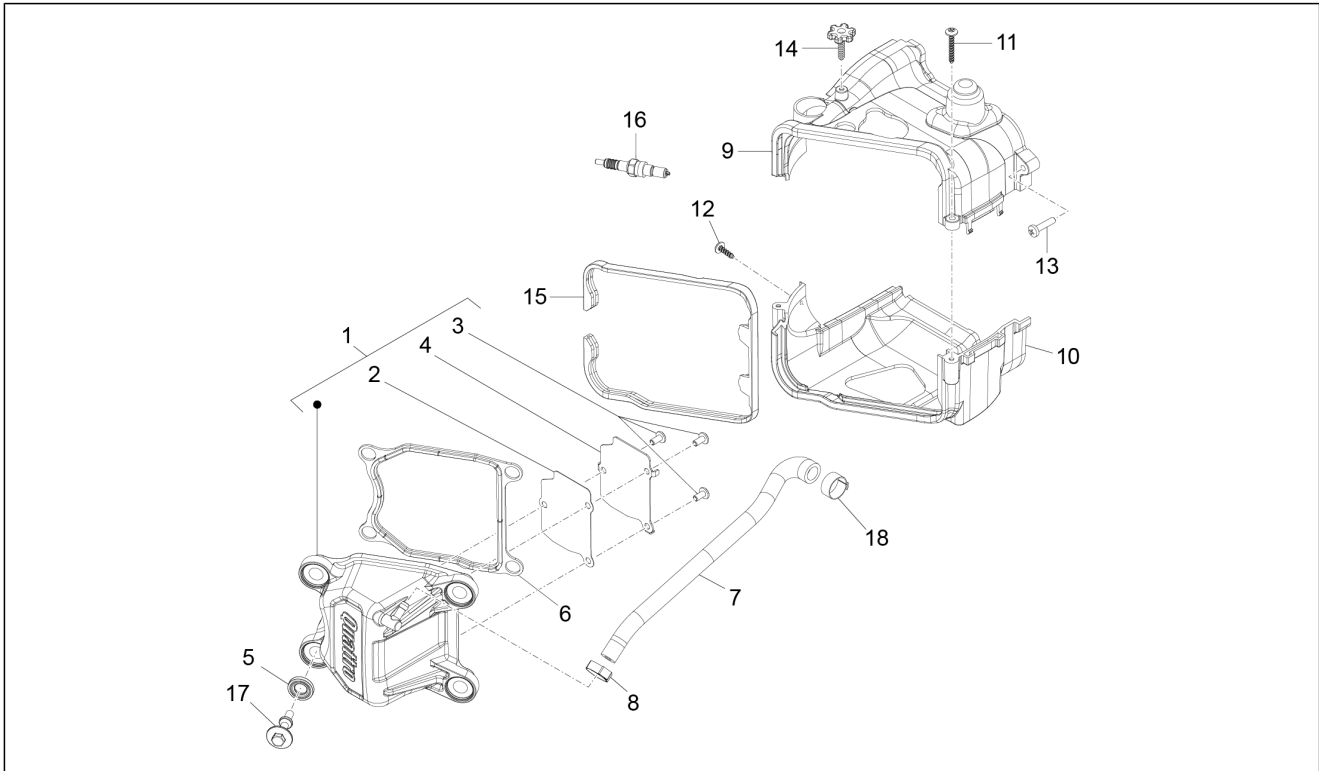
Pos.	Code	Description	Qty	Variants
1	845423	Cylinder head assy.	1	
2	845776	Gasket	1	
3	016060	Stud bolt	2	
4	872305	Intake valve	2	
5	843307	Cup	4	
6	845951	Spring	4	
7	871889	Cup	4	
8	843338	Valve half-cone	8	
9	872272	Exhaust valve	2	
10	872627	Cylinder head gasket	1	
11	319242	Hex socket screw	2	
12	969224	Nut	4	
13	277916	Locating dowel	2	
14	82622R	Thermistor	1	
15	842360	Plug M6x10	1	

Group	Engine
Code	01.11
Description	Rocking levers support unit
Service	1



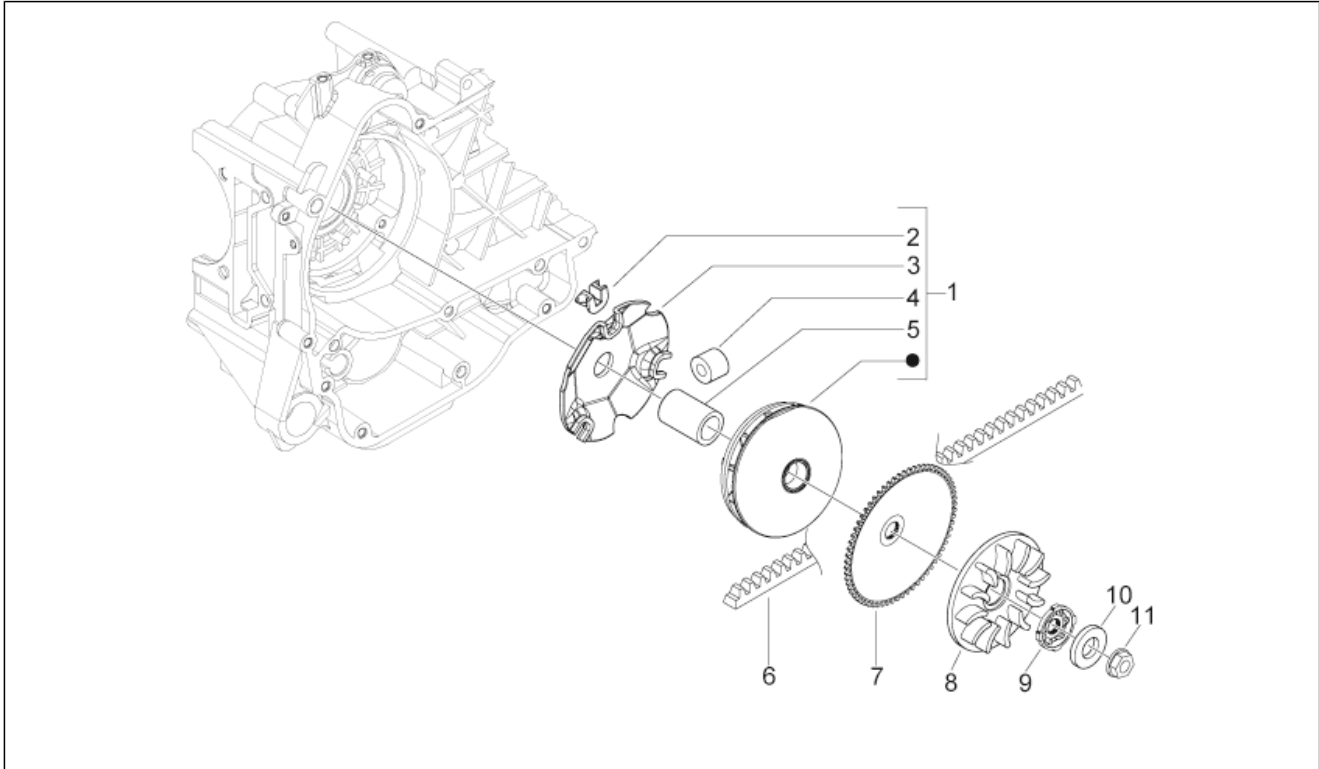
Pos.	Code	Description	Qty	Variants
1	842200	Intake side rocker	1	
2	842201	Exhaust side rocker	1	
3	CM144319	Calibrated tablet 2,50	4	
3	CM144320	Calibrated tablet 2,55	4	
3	CM144321	Calibrated tablet 2,60	4	
3	CM144322	Calibrated tablet 2,65	4	
3	CM144323	Calibrated tablet 2,70	4	
3	CM144324	Calibrated tablet 2,75	4	
3	CM144325	Calibrated tablet 2,80	4	
3	CM144326	Calibrated tablet 2,85	4	
3	CM144327	Calibrated tablet 2,90	4	
3	CM144328	Calibrated tablet 2,95	4	
3	CM144329	Calibrated tablet 3,00	4	
3	CM144330	Calibrated tablet 3,05	4	
3	CM144331	Calibrated tablet 3,10	4	
3	CM144332	Calibrated tablet 3,15	4	
3	CM144333	Calibrated tablet 3,2	4	
4	497616	Valve calibrated brake pads kit	1	
5	015585	Self-tapping screw M5x12	2	
6	004021	Washer	1	
7	845426	Camshaft	1	
8	96926R	Bearing 12x32x10	1	
9	006632	Snap ring	1	
10	434943	Timing system gear	1	
11	842166	Spacer	1	
12	434541	Screw w/ flange M6x16	1	
13	436695	Belleville spring $\varnothing 6,4 \times \varnothing 20 \times 2$	1	
14	842174	Rocker arms axis	2	

Group	Engine
Code	01.12
Description	Cylinder head cover
Service	1



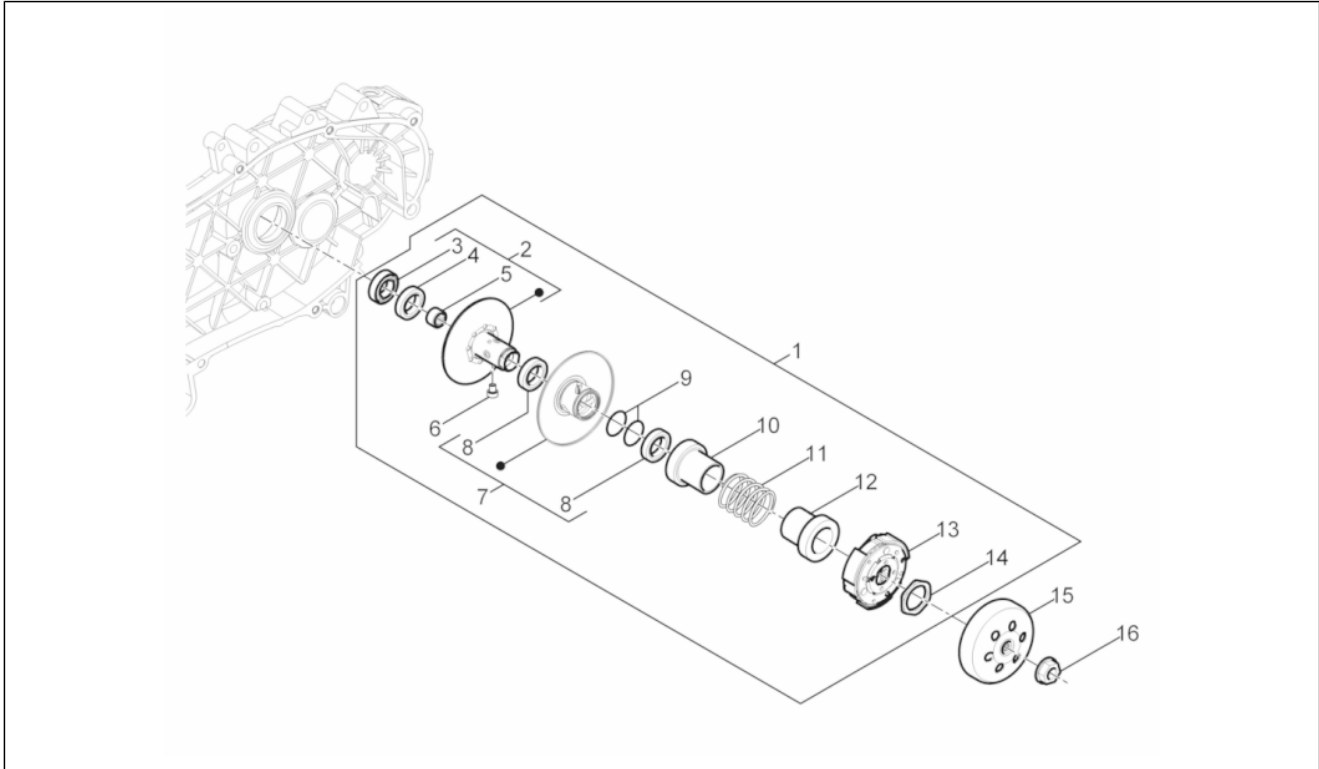
Pos.	Code	Description	Qty	Variants
1	848990	Head cover cpl.	1	
2	849012	Gasket	1	
3	430264	Self-tapping screw	3	
4	849013	plate	1	
5	830249	Damper drift	4	
6	845339	Gasket	1	
7	848993	Breather pipe	1	
8	CM002917	Hose clamp	1	
9	846992	Cooler cap	1	
10	846993	Cooler cap	1	
11	259577	screw	2	
12	270793	TBCIC Screw 3,8x16	1	
13	828662	Screw M5x22	1	
14	969339	Screw with Knob	1	
15	846991	Gasket	1	
16	641387	Spark plug	1	
17	872635	Special screw	4	
18	CM001904	Hose clamp	1	

Group	Engine
Code	01.13
Description	Driving pulley
Service	1



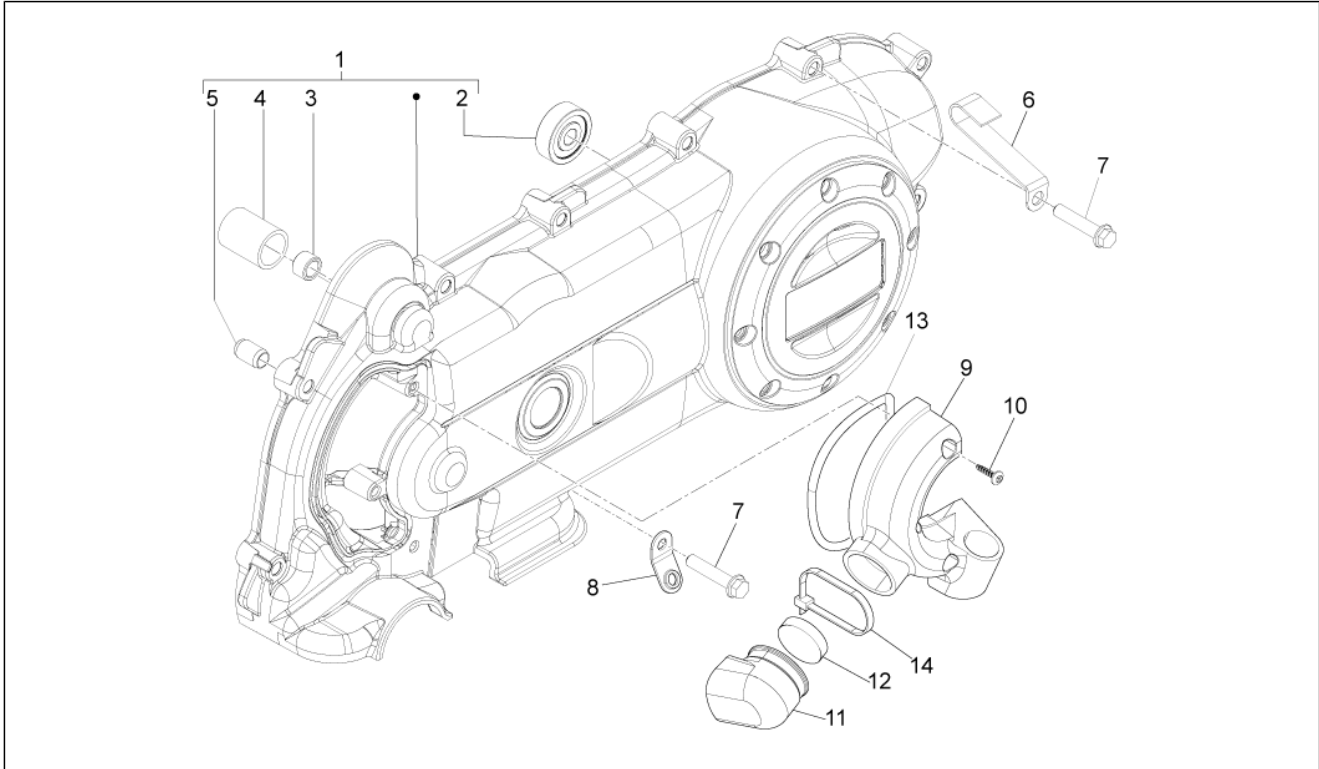
Pos.	Code	Description	Qty	Variants
1	CM110304	Half-pulley assy., driving	1	
2	289931	Sliding block	3	
3	480227	Roller contrast	1	
4	CM1102035	Rollers kit	1	
5	480230	Spacer	1	
6	82712R	V-belt	1	
7	479561	Fixed driving half pulley	1	
8	845611	Fan	1	
9	877075	Teathed bush	1	
10	265300	Washer	1	
11	289519	Flanged nut M10x1,25	2	

Group	Engine
Code	01.14
Description	Driven pulley
Service	1



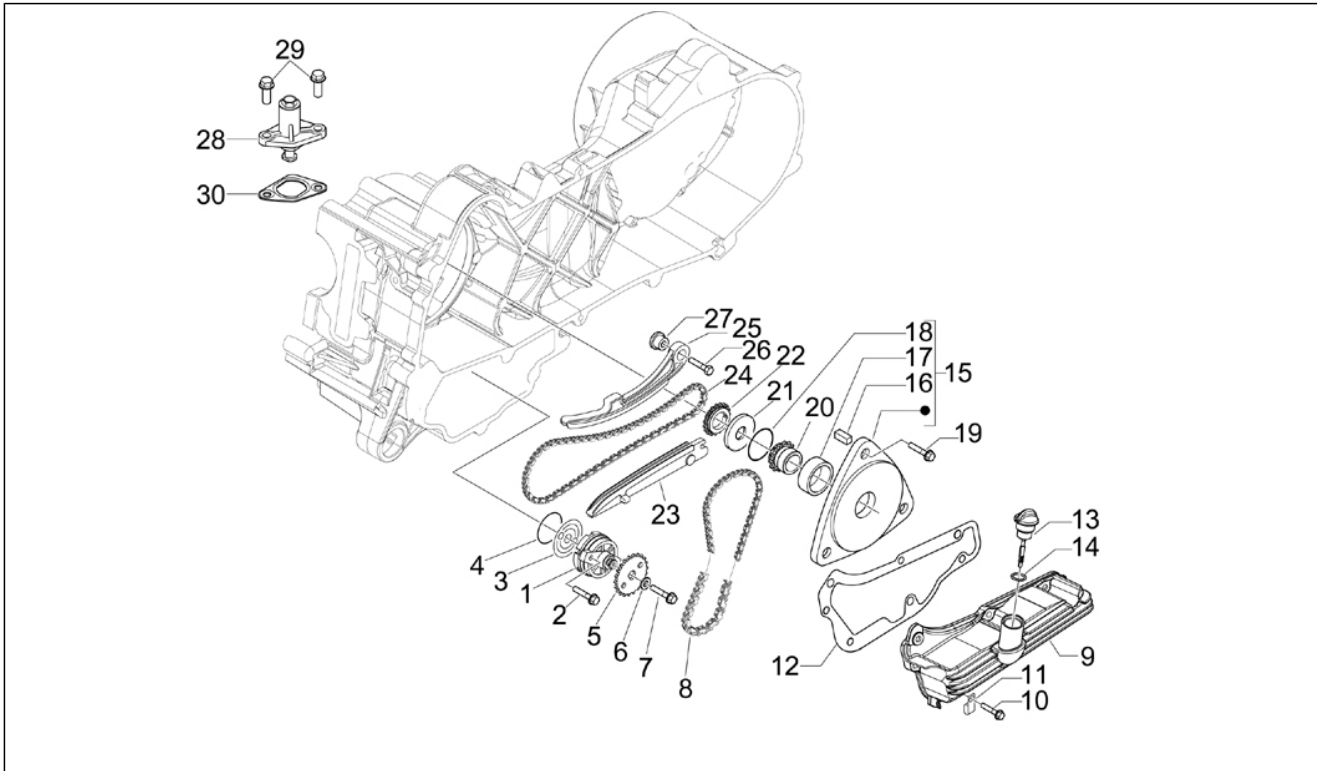
Pos.	Code	Description	Qty	Variants
1	CM100107	Complete secondary pulley	4	
2	4795526	Complete fixed secondary pulley	1	
3	82655R	Ball bearing	1	
4	006624	Ring	1	
5	289952	Roller cage	1	
6	482766	Pin	3	
7	827893	Complete movable secondary pulley	1	
8	289950	Gasket ring	2	
9	289840	Gasket	2	
10	483443	Pulley side cap	1	
11	478028	Variator spring	1	
12	487935	Clutch side cap	1	
13	CM1002025	Centrifugal clutch assembly	1	
14	289955	Ring nut	1	
15	289933	Clutch drum	1	
16	289519	Flanged nut M10x1,25	1	

Group	Engine
Code	01.15
Description	Crankcase cover - Crankcase cooling
Service	1



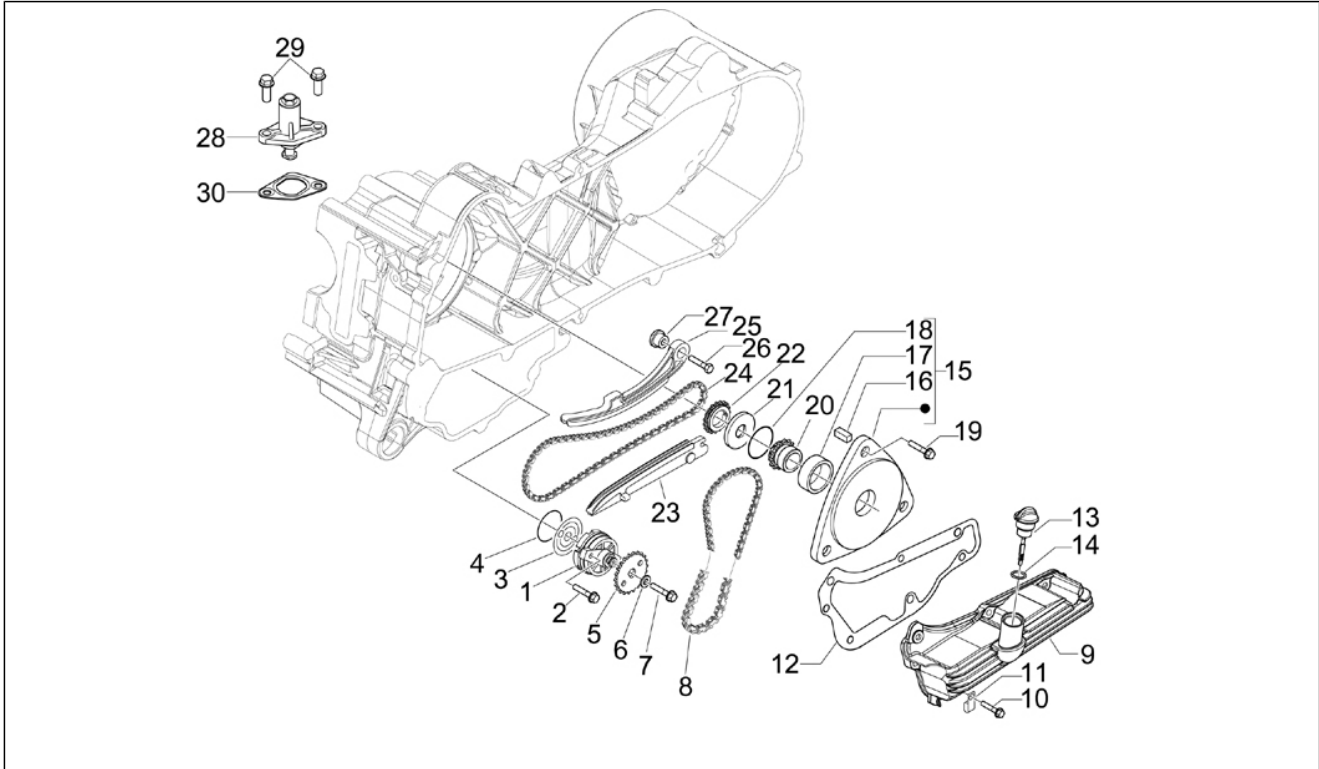
Pos.	Code	Description	Qty	Variants
1	8722275	Variator cover	1	
2	82521R	Bearing	1	
3	431860	Bush $\varnothing 8 \times \varnothing 12 \times 8$	1	
4	286209	Bush	1	
5	239388	Pin 6,5x9,5x15	2	
6	482291	Hose clamp	1	
7	289731	Screw w/ flange M6x30	11	
8	844964	Hose clamp	1	
9	969804	Cooling Cover	1	
10	435295	screw	3	
11	969899	Hose	1	
12	969921	Filter	1	
13	435251	Gasket	1	
14	257134	Lock-strap L=277	1	

Group	Engine
Code	01.18
Description	Oil pump
Service	1



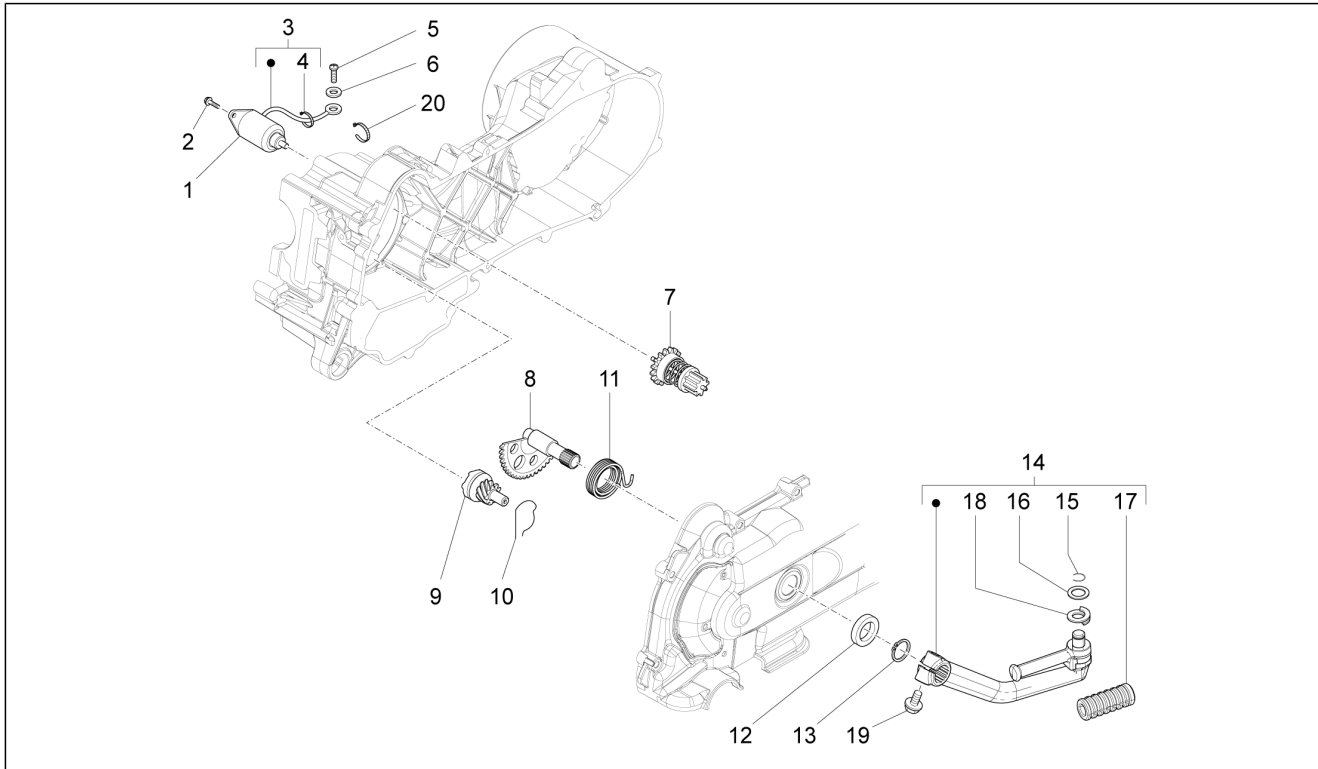
Pos.	Code	Description	Qty	Variants
1	877262	Oil pump assy.	1	
2	433477	Screw w/ flange	2	
3	436751	Carter-oil pump gasket	1	
4	434947	O-ring 12,42x1	1	
5	287913	Oil pump gear	1	
6	436695	Belleville spring Ø6,4xØ20x2	1	
7	833722	Screw w/ flange M6x14	1	
8	434447	Oil pump chain	1	
9	844871	Motor oil cup	1	
10	414837	Screw w/ flange M6x25	6	
11	487824	Retainer clamp	1	
12	969132	Sump gasket	1	
13	844721	Oil level rod cpl.	1	
14	479986	O-ring	1	
15	4783245	Cover	1	
16	434345	Oil pump chain drift	1	
17	2879633	Gasket ring	1	
18	844888	Gasket ring	1	
19	484123	Screw w/ flange	3	
20	833495	Oil pump control pinion	1	
21	430535	Washer	1	
22	969747	Timing system chain pinion cpl	1	
23	969877	Sliding block	1	
24	96933R	Camshaft chain	1	
25	828561	Chain tensioner rod	1	
26	031089	Hex screw M6x18	1	
27	478247	Spacer	1	
28	82650R	Complete chain tensioner	1	

Group	Engine
Code	01.18
Description	Oil pump
Service	1



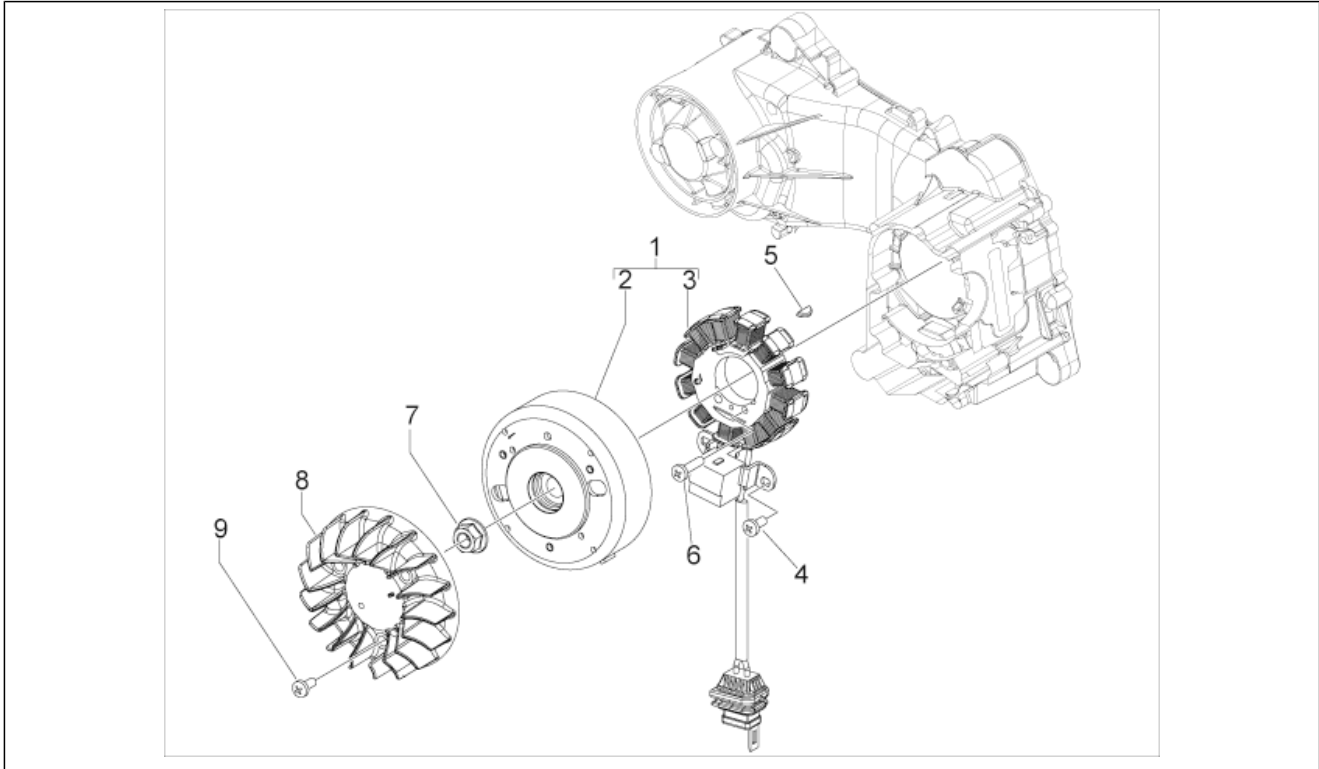
Pos.	Code	Description	Qty	Variants
29	833722	Screw w/ flange M6x14	2	
30	847928	Gasket	1	

Group	Engine
Code	01.20
Description	Stater - Electric starter
Service	1



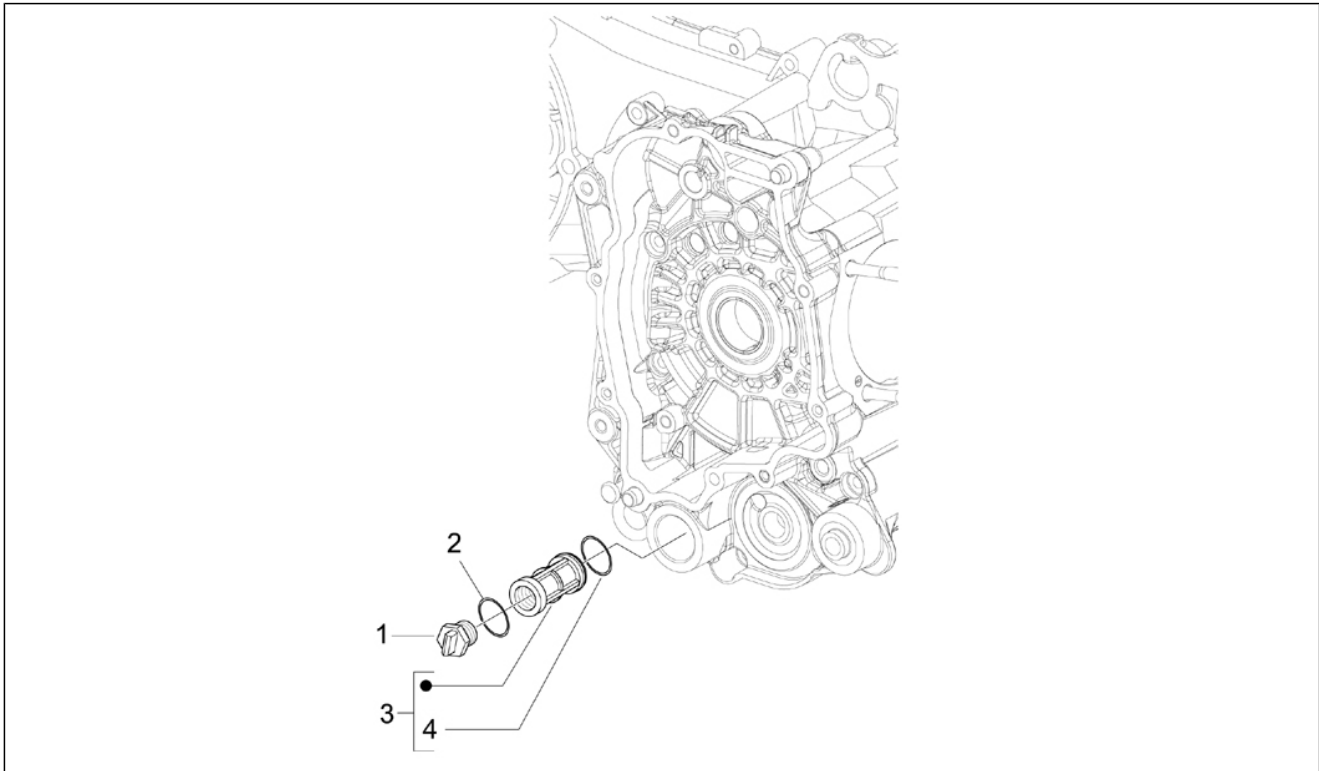
Pos.	Code	Description	Qty	Variants
1	96921R	Starter motor	1	
2	018639	Hex screw M6x20	2	
3	642292	Starter cable	1	
4	145298	Lock-strap L=180mm	1	
5	018644	screw	1	
6	016404	Flat washer 4,2x7,6x0,9	1	
7	96922R	Complete gear unit	1	
8	831458	Starting shaft	1	
9	483537	Pinion starter	1	
10	830212	Elastic spring	1	
11	289495	Starter lever return spring	1	
12	433987	Washer 16,3x23,8	1	
13	006416	Circlip	1	
14	286214	Starter lever	1	
15	288041	Ring	1	
16	286219	Washer 10,1x2,5	1	
17	286217	Guard	1	
18	286218	Spring	1	
19	414837	Screw w/ flange M6x25	1	
20	257134	Lock-strap L=277	1	

Group	Engine
Code	01.21
Description	Flywheel magneto
Service	1



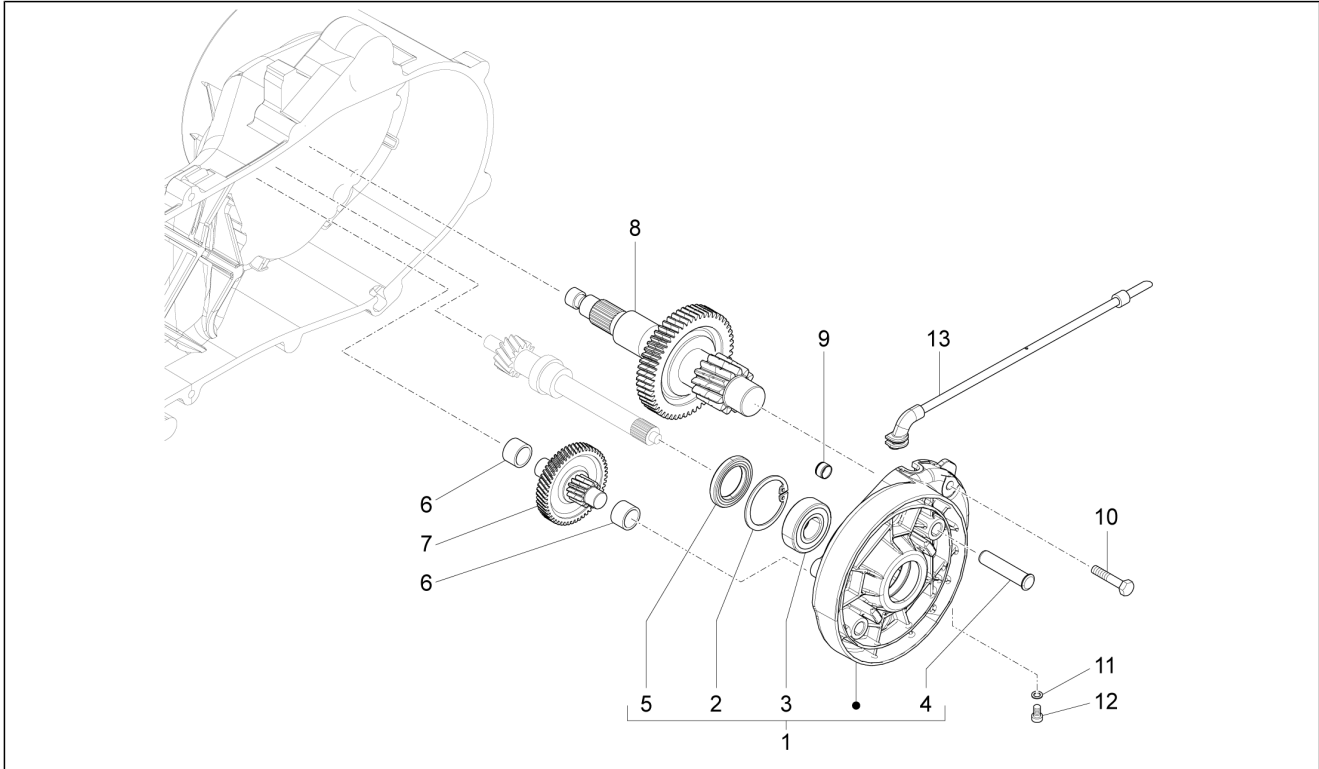
Pos.	Code	Description	Qty	Variants
1	82798R	Cdi magneto assy	1	
2	638953	Rotor	1	
3	833632	Stator	1	
4	873979	Screw M5x14	2	
5	000267	Transmission key	1	
6	015856	screw M5x21	2	
7	289005	Flanged nut	1	
8	830286	Fan	1	
9	484123	Screw w/ flange	3	

Group	Engine
Code	01.23
Description	Flywheel magneto cover - Oil filter
Service	1



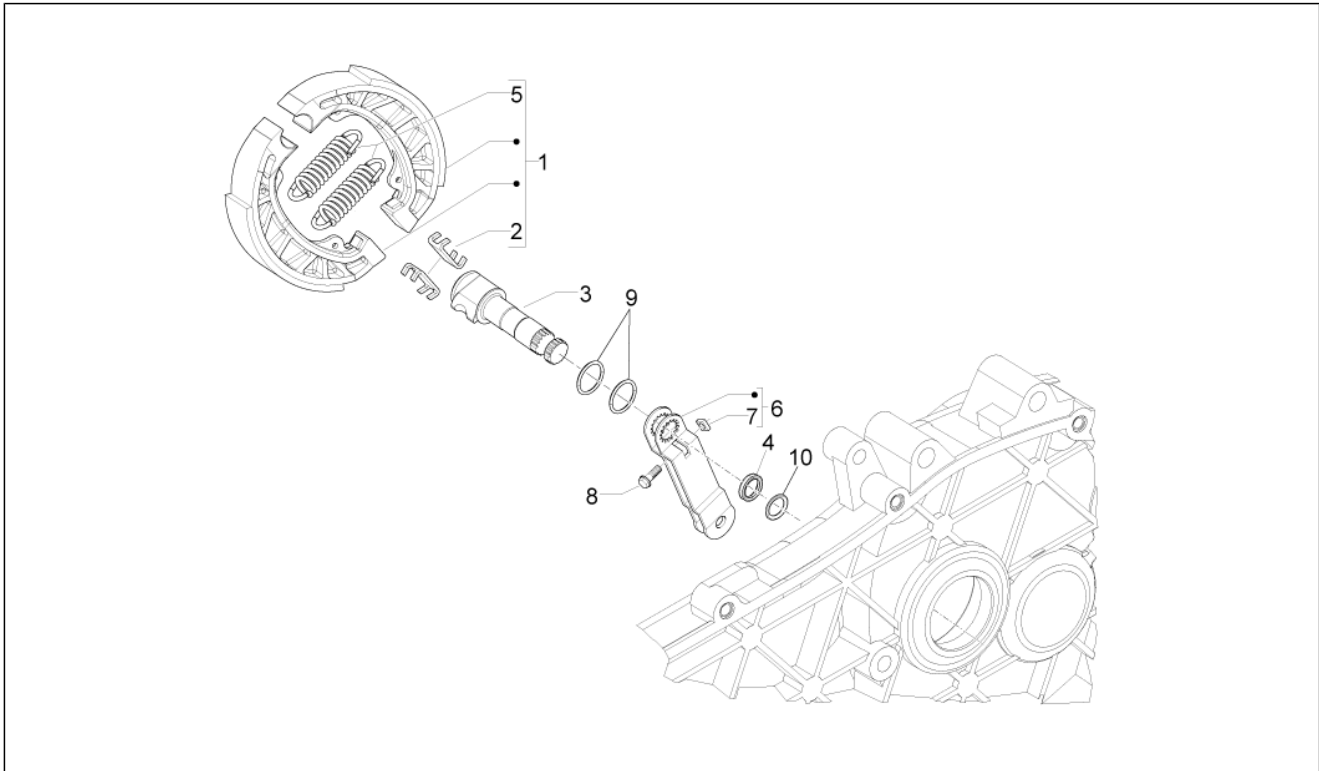
Pos.	Code	Description	Qty	Variants
1	288548	Oil filter plug	1	
2	285536	O-ring 31,47x1,78	1	
3	431242	Oil filter	1	
4	288474	O-ring 20,35x1,78	1	

Group	Engine
Code	01.25
Description	Reduction unit
Service	1



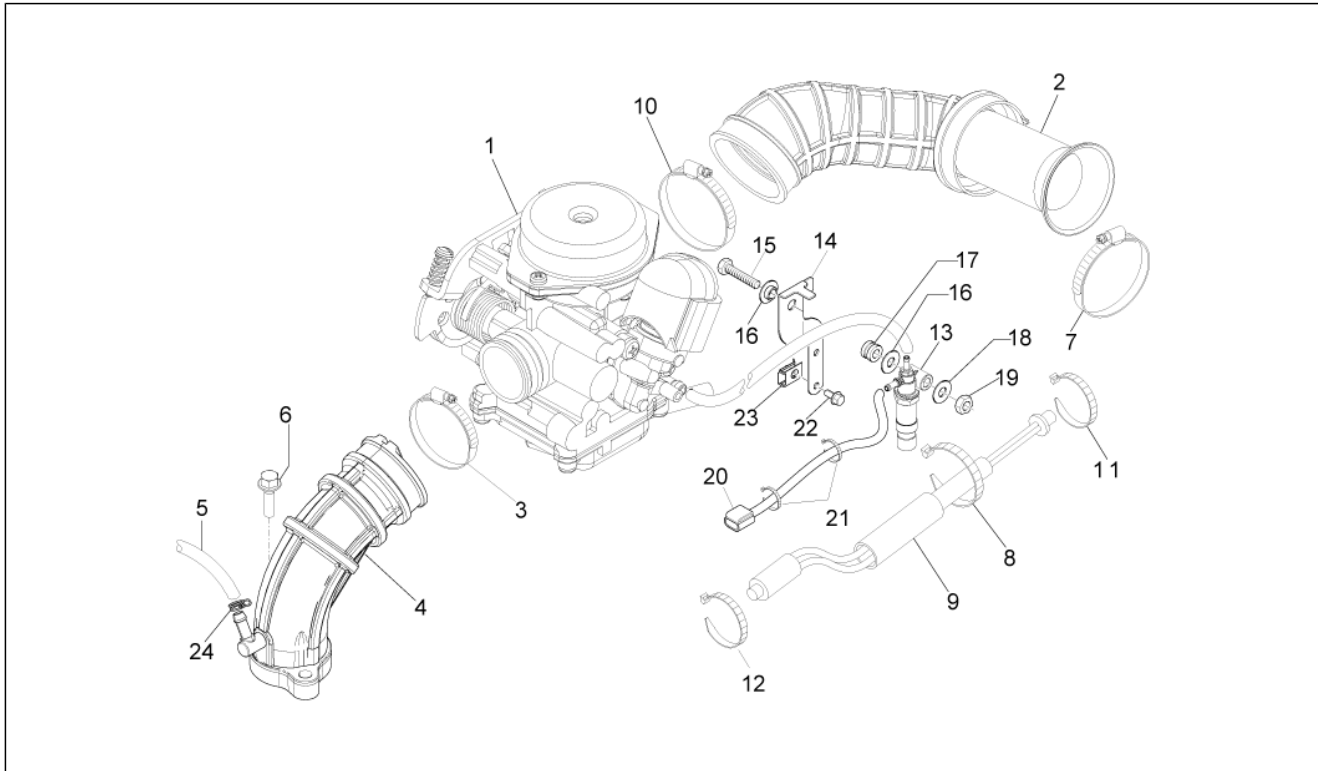
Pos.	Code	Description	Qty	Variants
1	B0146385	Side cover	1	
2	006647	Circlip	1	
3	434735	Bearing 20x47x14	1	
4	272921	Shoe fulcrum pin	1	
5	478498	Gasket ring	1	
6	288639	Shim washer	2	
7	8416865	Transmission shaft	1	
8	8416875	Rear wheel axis cpl.	1	
9	478197	Compensator ring	1	
10	487211	Screw w/ flange M8x45	5	
11	000397	Gasket	1	
12	269755	Hex socket screw M8x12	1	
13	CM162201	Reduction unit breather pipe assembly	1	

Group	Engine
Code	01.35
Description	Rear brake - Brake jaw
Service	1



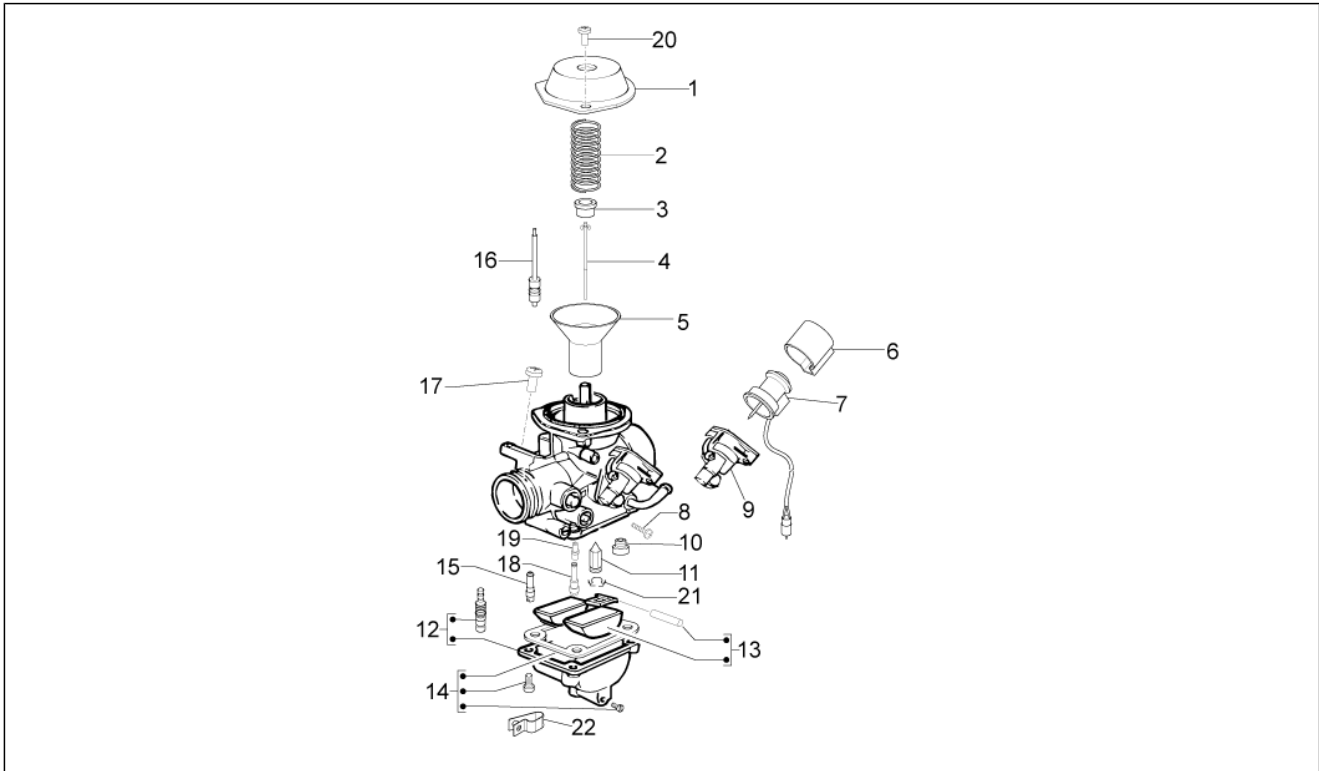
Pos.	Code	Description	Qty	Variants
1	56293R	Pair of brake shoes	1	
2	266724	Plate	2	
3	B014502	Brake lever shaft	1	
4	273419	Gasket ring	1	
5	647384	Brake shoes return spring	2	
6	833788	Rear brake lever	1	
7	828862	Square nut	1	
8	828863	Screw w/ flange	1	
9	B014507	Packing	2	
10	242364	Snap ring	1	

Group	Engine
Code	01.39
Description	Carburettor, assembly - Union pipe
Service	1



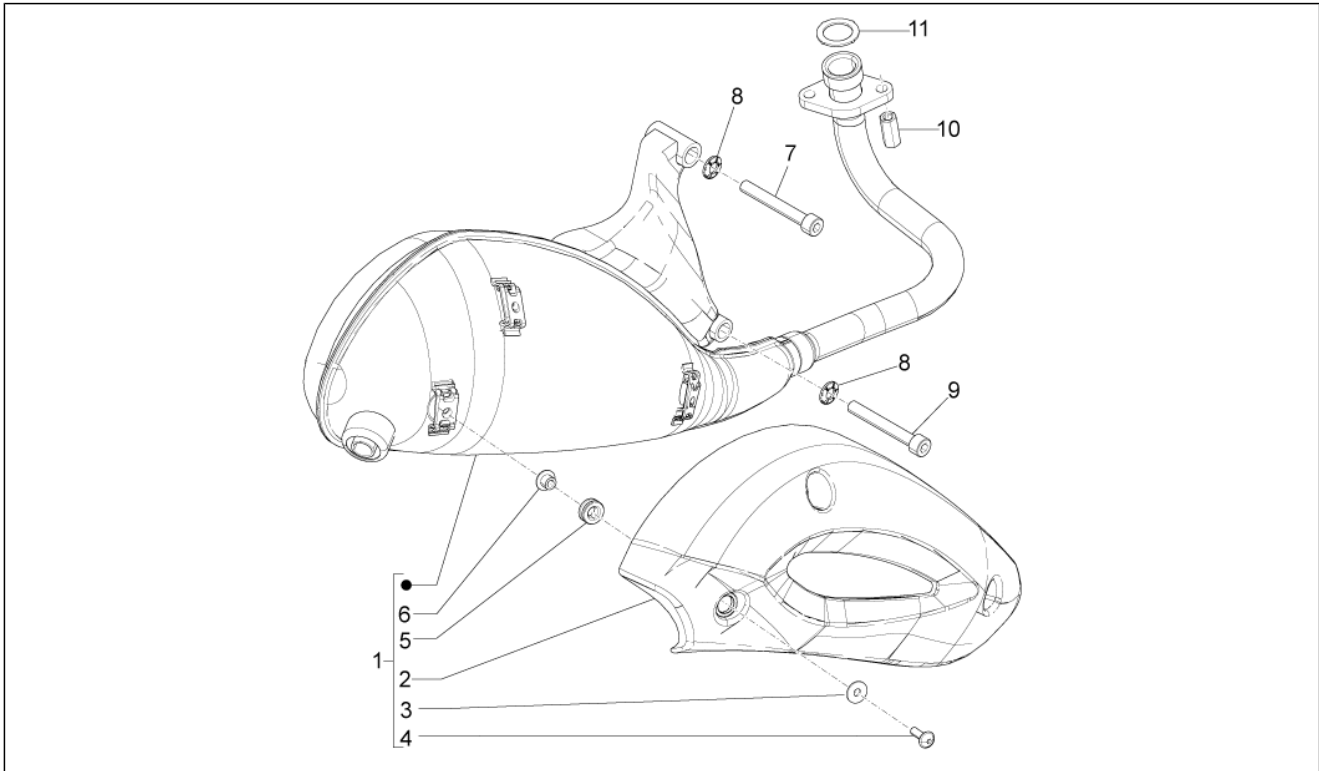
Pos.	Code	Description	Qty	Variants
1	CM158005	Carburettor keihin NCV20 AR8	1	
2	848680	Air cleaner sleeve	1	
3	709532	Hose clamp	1	
4	845737	Union	1	
5	CM027909	pipe I.700	1	
6	018639	Hex screw M6x20	2	
7	641764	Hose clamp	1	
8	257134	Lock-strap L=277	1	
9	82961R	Resistor Module	1	
10	709532	Hose clamp	1	
11	CM001911	Hose clamp	1	
12	CM002901	Hose clamp	1	
13	873270	Solenoid	1	
14	642290	Support clamp	1	
15	030039	Hex screw	1	
16	843213	T bush	2	
17	487665	Fairlead	1	
18	006078	Plain washer 12x5.2x1	1	
19	012112	Nut	1	
20	639632	Instrument support	1	
21	145298	Lock-strap L=180mm	2	
22	484123	Screw w/ flange	2	
23	248419	Spring plate m5	1	
24	CM002902	Hose clamp	1	

Group	Engine
Code	01.40
Description	Carburetor's components
Service	1



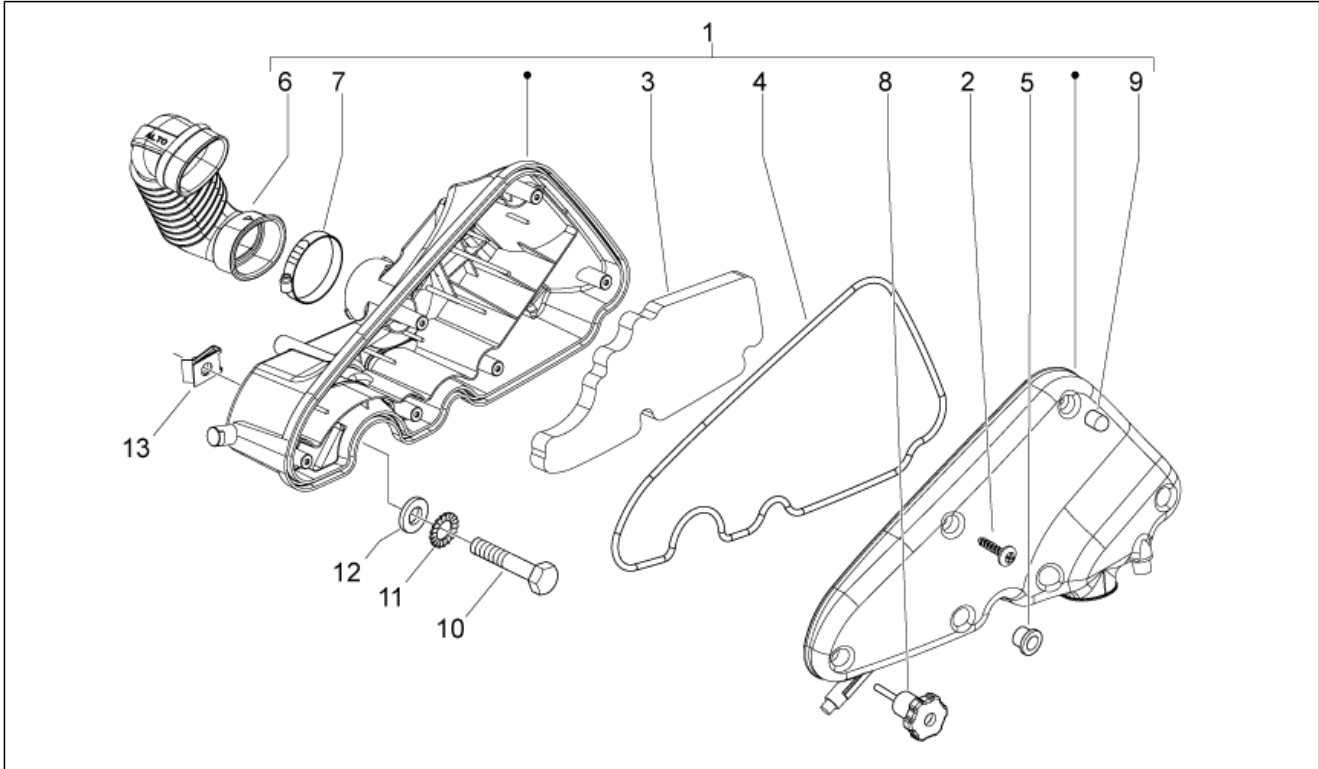
Pos.	Code	Description	Qty	Variants
1	876821	Gas valve cover	1	
2	876819	Gas valve spring	1	
3	876820	Cup	1	
4	CM140212	Conical pin	1	
5	CM160802	Diaphragm	1	
6	828844	Cap	1	
7	CM142914	Starter	1	
8	CM160102	Adj.min.eng.speed screw cpl.	1	
9	876826	Starter device	1	
10	CM142101	Main jet 72	1	
11	CM147102	Fuel closing needle	1	
12	CM160301	Float chamber	1	
13	876822	Float	1	
14	876824	Float chamber kit	1	
15	CM142302	Idle jet	1	
16	876823	Acceleration pump kit	1	
17	CM162903	Adjuster screw	1	
18	CM160201	Pipe	1	
19	828825	Diffuser	1	
20	841623	Special screw	3	
21	841622	Spring	1	
22	B018773	Strap	1	

Group	Engine
Code	01.42
Description	Silencer
Service	1



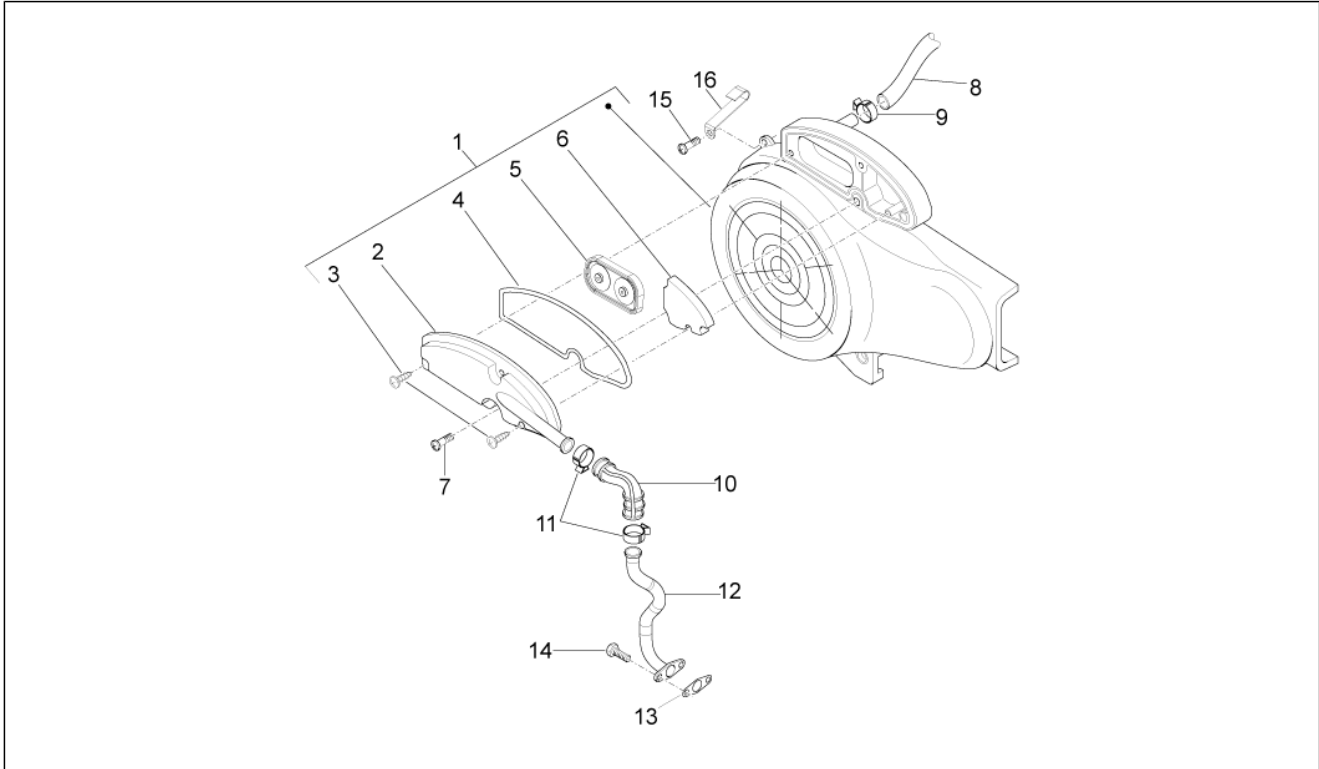
Pos.	Code	Description	Qty	Variants
1	880900	Silencer	1	
2	880901	Exhaust pipe protection	3	
3	841821	Washer 6,6x18x1,6	3	
4	AP8152298	Screw w/ flange M5x16	3	
5	487665	Fairlead	3	
6	878130	Spacer	3	
7	00H02500272	screw 8M125X90	1	
8	834187	Spring washer 16x8,2x2,2	2	
9	844470	screw	2	
10	833494	Special nut	2	
11	845776	Gasket	1	

Group	Engine
Code	01.45
Description	Air filter
Service	1



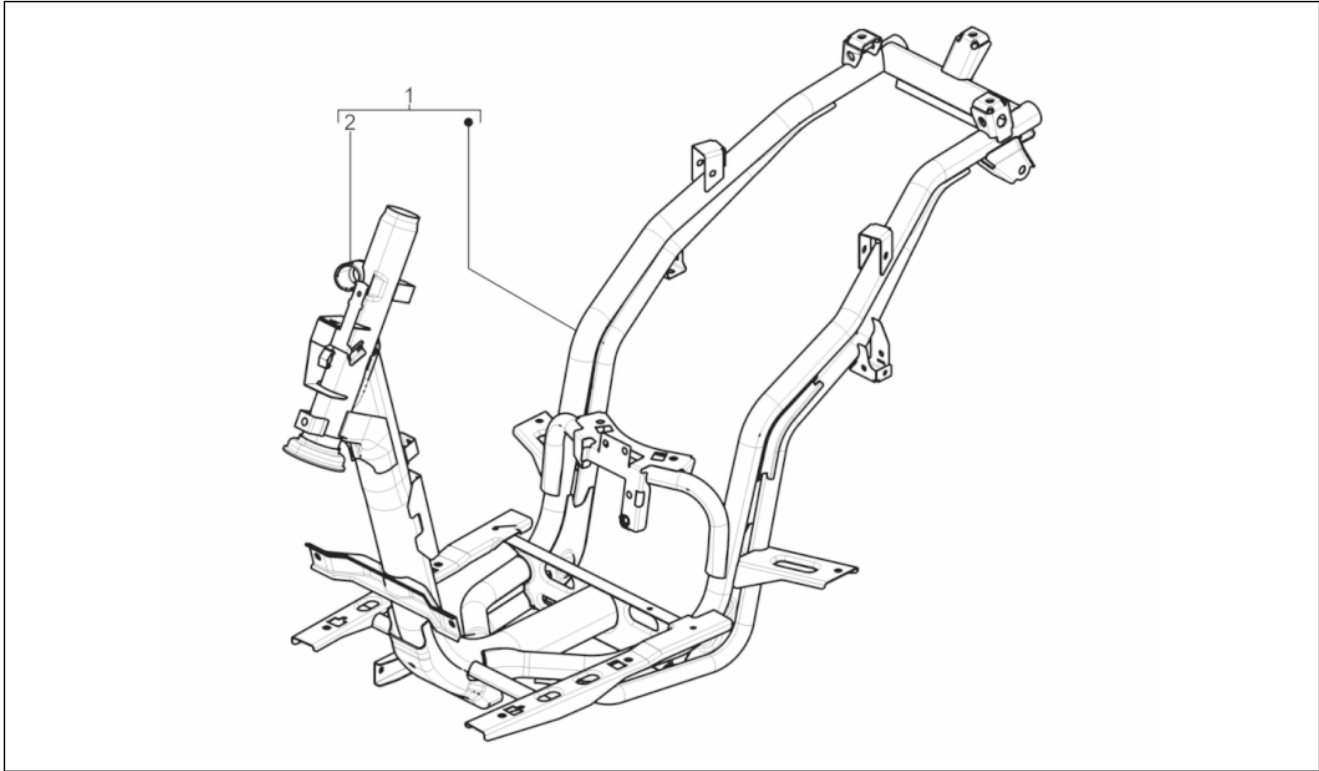
Pos.	Code	Description	Qty	Variants
1	B013216	Complete air cleaner box	1	
2	258146	Self-tap screw M3x20	5	
3	843194	Air filter	1	
4	843195	Gasket	1	
5	830056	Knurled bushing	4	
6	843849	Air calibration tube	1	
7	CM002910	Hose clamp	1	
8	479132	Knob	2	
9	827831	Cap	1	
10	018640	Special cap screw M6x50	2	
11	012533	Notched washer 6,6x11x0	2	
12	003056	Flat washer 6,4x12x1	2	
13	254485	Spring plate M6	2	

Group	Engine
Code	01.46
Description	Secondary air box
Service	1



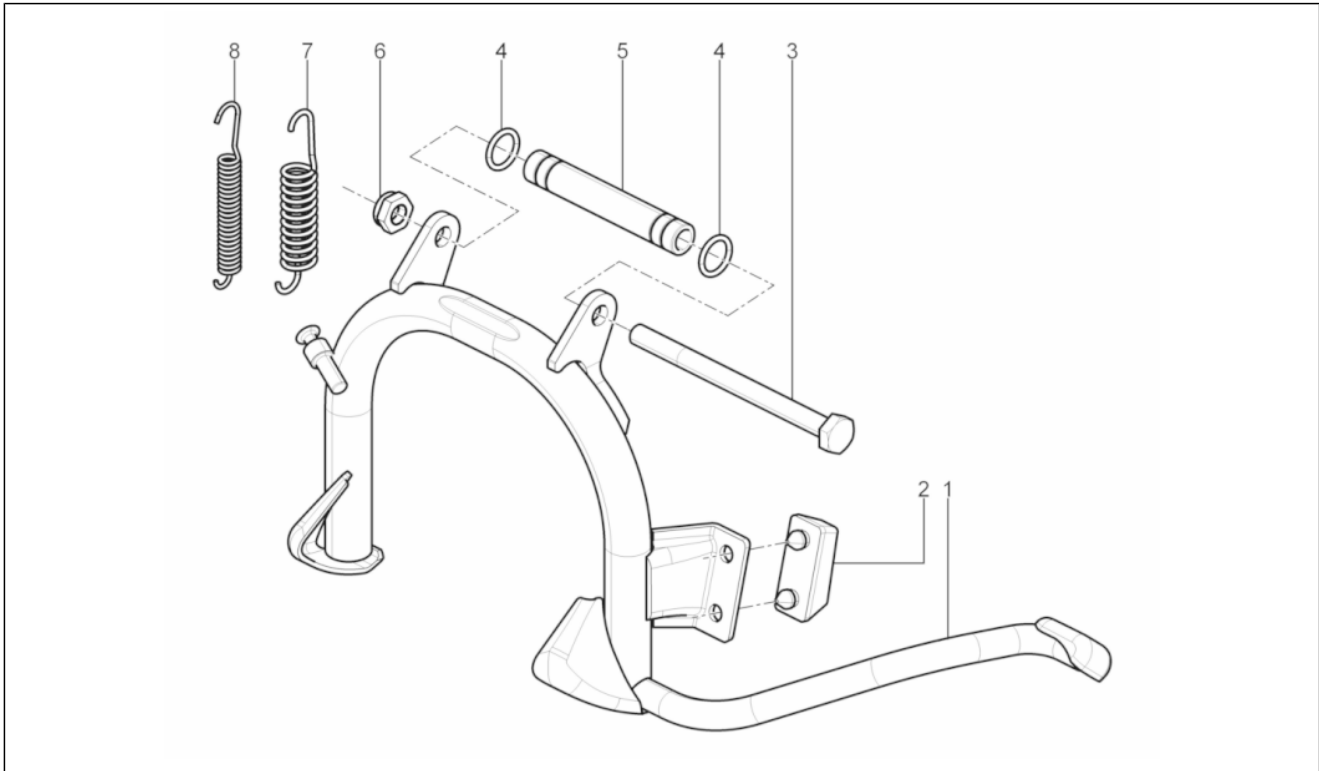
Pos.	Code	Description	Qty	Variants
1	880953	Scroll cover	1	
2	832971	Cover sas	1	
3	478533	Self-tap screw	3	
4	832973	Gasket	1	
5	82758R	Diaphragm	1	
6	832972	Filter sas	1	
7	259151	screw M5x16	3	
8	843525	Intake pipe sas	1	
9	CM001903	Hose clamp	1	
10	833472	Hose sas	1	
11	CM001905	Hose clamp	2	
12	876483	Intake pipe sas	1	
13	832059	Gasket	1	
14	833722	Screw w/ flange M6x14	2	
15	015856	screw M5x21	1	
16	D9004461432	Hose clamp	1	

Group	Frame - Plastic parts - Coachwork
Code	02.01
Description	Frame/bodywork
Service	1



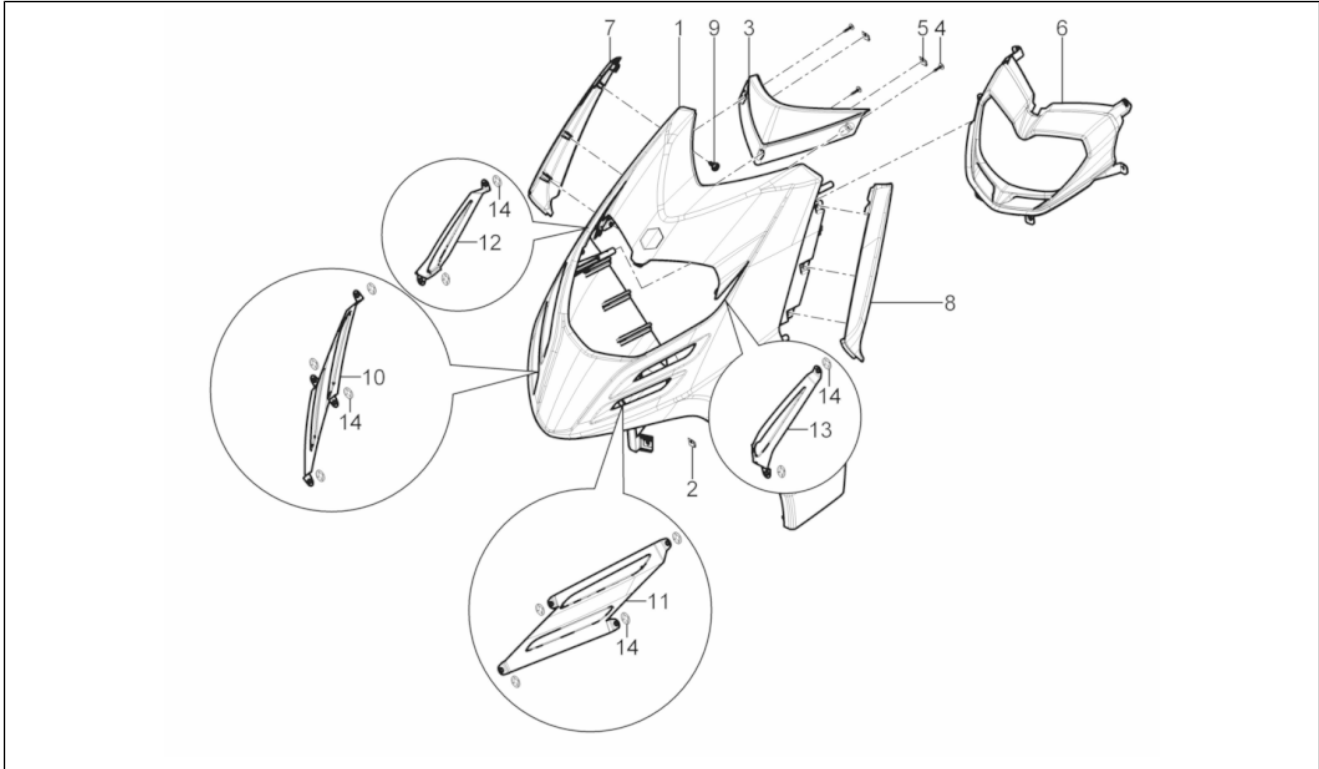
Pos.	Code	Description	Qty	Variants
1	672750	Frame with u.p.	1	
2	298604	Lock support	1	

Group	Frame - Plastic parts - Coachwork
Code	02.25
Description	Stand/s
Service	1



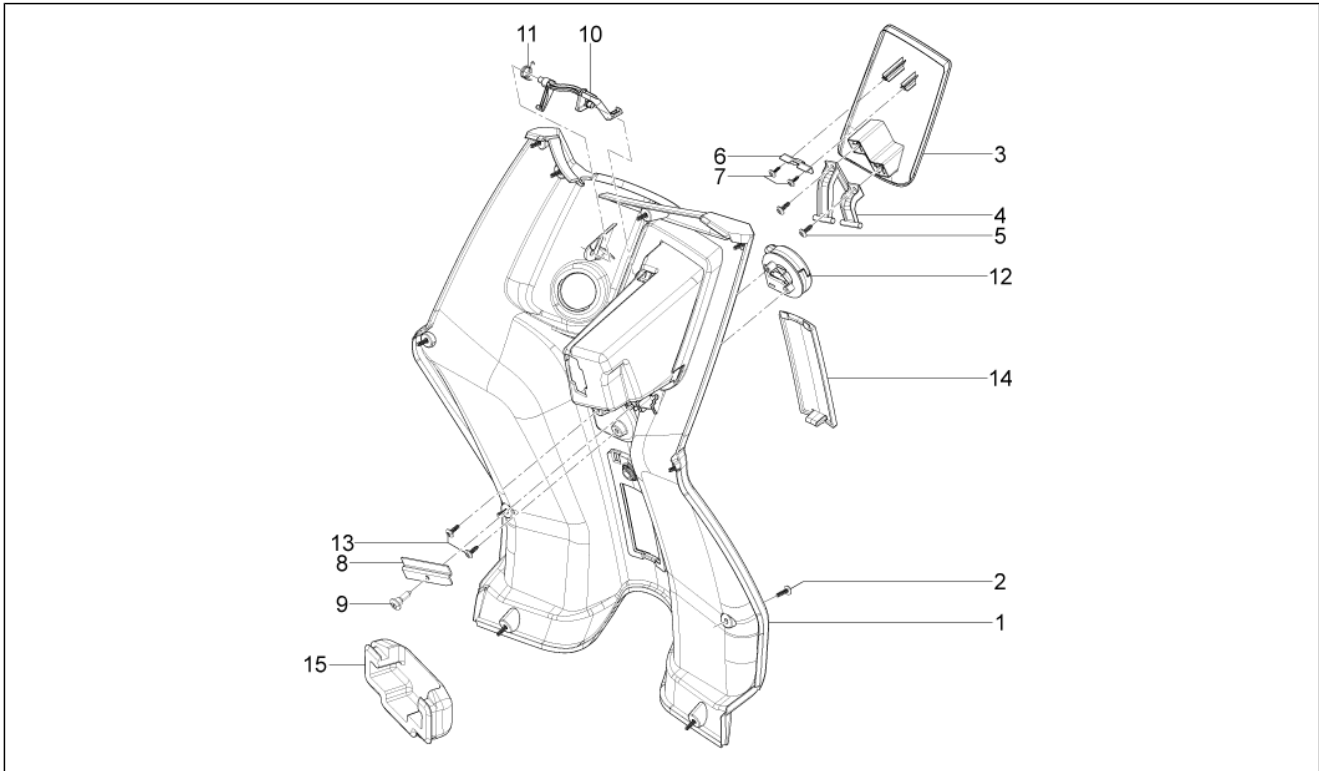
Pos.	Code	Description	Qty	Variants
1	666313	Complete centre stand	1	
2	581560	Pad	1	
3	030115	Hex screw M10x130	1	
4	273754	O-ring	2	
5	582298	Spacer	1	
6	002440	Self locking nut M10	1	
7	581249	Spring	1	
8	581248	Spring	1	

Group	Frame - Plastic parts - Coachwork
Code	02.26
Description	Front shield
Service	1



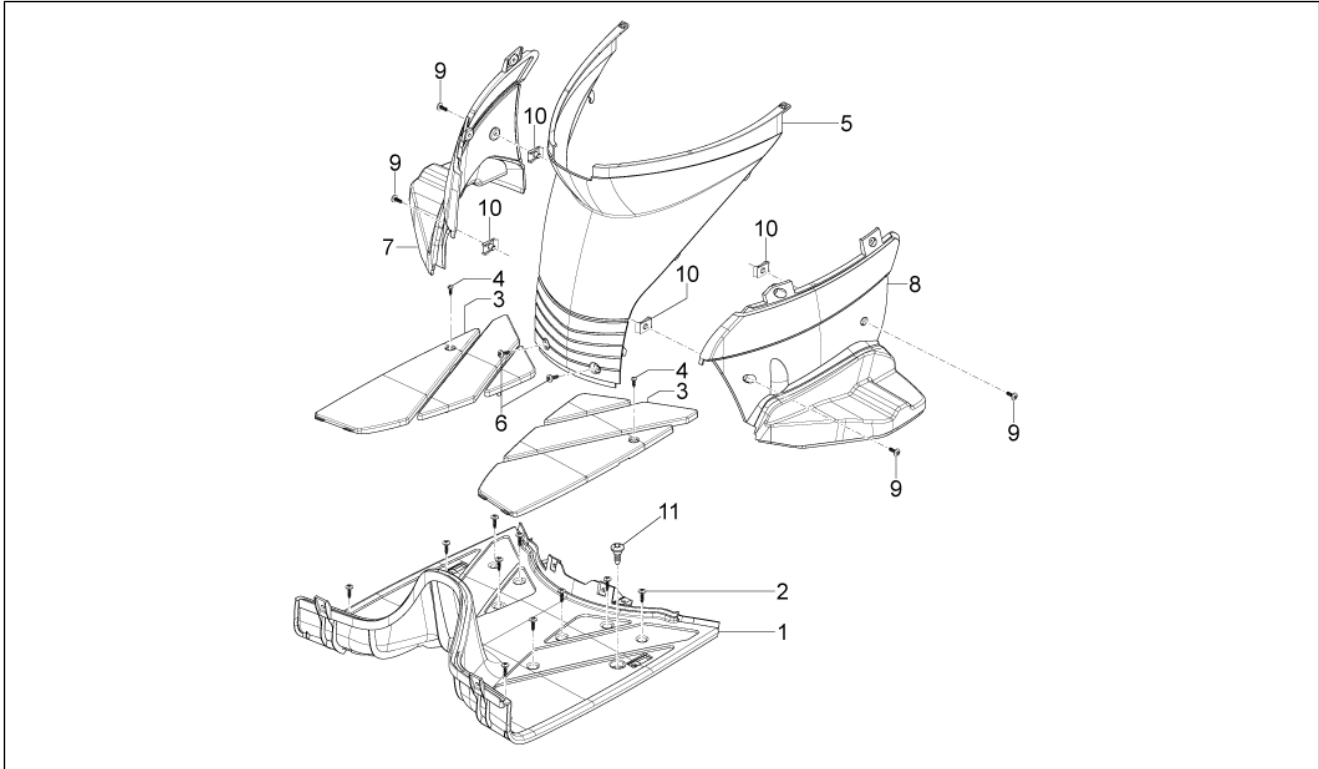
Pos.	Code	Description	Qty	Variants
1	6574610087	Front shield	1	Vehicle colour:White[white]
1	6574610090	Front shield	1	Vehicle colour:BLACK[black]
1	65746100AO	Front shield	1	Vehicle colour:Orange[orange]
2	CM017410	Spring plate	6	
3	85643600XH1	Upper shield lockup, grey Pha	1	
4	270723	Self tapping screw	3	
5	CM017410	Spring plate	2	
6	65746800XH1	Front headlight surround	1	
7	65746300XH1	Deflector r.h.	1	
8	65746200XH1	Deflector l.h.	1	
9	664170	screw	6	
10	664307	Right lower shield metallic retina	1	
11	664309	Left lower shield metallic retina	1	
12	664306	Right upper shield metallic retina	1	
13	664308	Left upper shield metallic retina	1	
14	664454	Washer	18	

Group	Frame - Plastic parts - Coachwork
Code	02.30
Description	Front glove-box - Knee-guard panel
Service	1



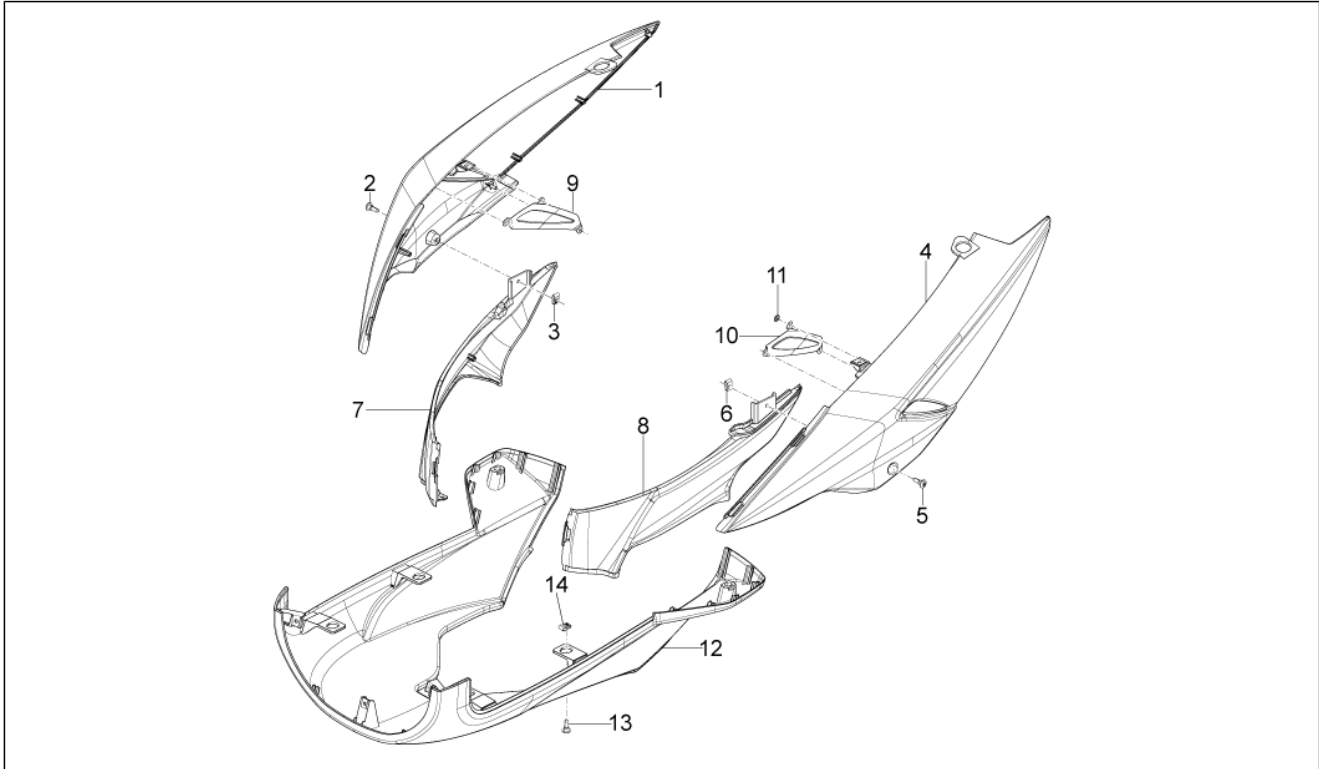
Pos.	Code	Description	Qty	Variants
1	85643300XH1	Internal shield, grey	1	
2	270723	Self tapping screw	10	
3	85647100XH1	Glove comp.door, grey	1	
4	856472	Hinge	1	
5	259349	Screw M4,2x13	2	
6	252420	Square	1	
7	297498	Self tapping screw M3,5x13	2	
8	856473	Plate	1	
9	575249	Screw with shank M6	1	
10	856437	Lockup hook door	1	
11	257617	Spring	1	
12	575819	Bag holder hook	1	
13	259349	Screw M4,2x13	2	
14	85647400XH1	Chassis number inspection cover	1	
15	890424	Cover internal shield	1	

Group	Frame - Plastic parts - Coachwork
Code	02.31
Description	Central cover - Footrests
Service	1



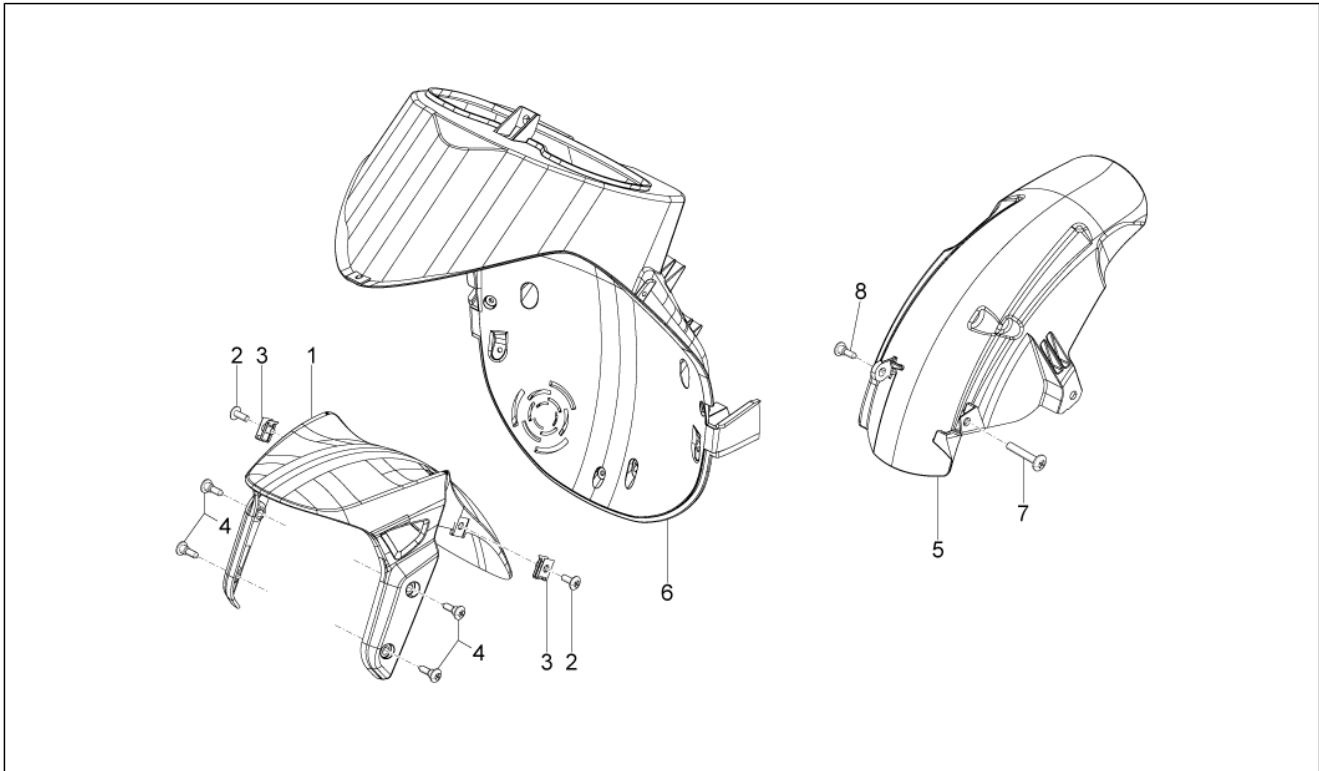
Pos.	Code	Description	Qty	Variants
1	85306100XH1	Footrest	1	
2	270793	TBCIC Screw 3,8x16	10	
3	85824300XH1	Carpets kit grey	1	
4	268596	Self tapping screw D4x13	2	
5	85643100XH1	Upper shield lockup, grey Pha	1	
6	270723	Self tapping screw	2	
7	85645000XH1	RH rear footrest, grey	1	
8	85645100XH1	LH rear footrest, grey	1	
9	259349	Screw M4,2x13	4	
10	254485	Spring plate M6	4	
11	575249	Screw with shank M6	4	

Group	Frame - Plastic parts - Coachwork
Code	02.32
Description	Side cover - Spoiler
Service	1



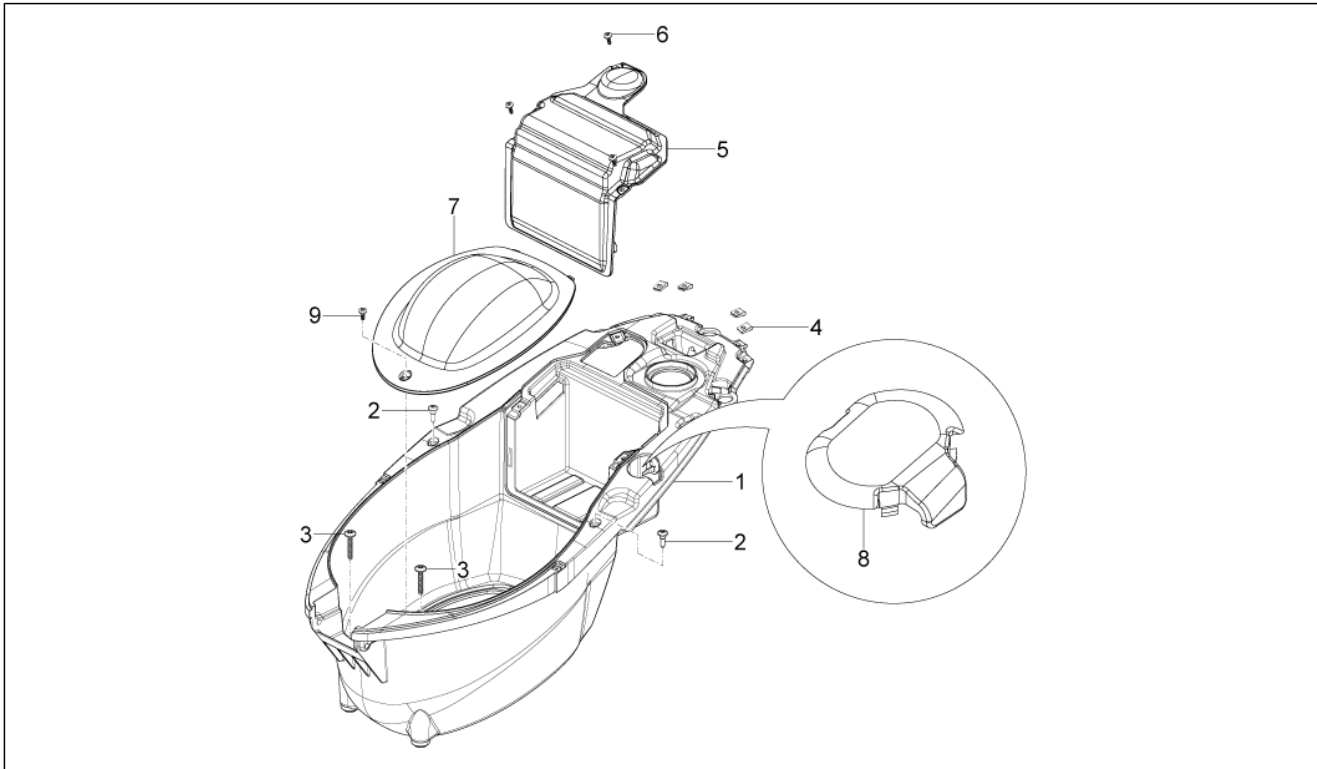
Pos.	Code	Description	Qty	Variants
1	6574670087	Fairing,rh.	1	Vehicle colour:White[white]
1	6574670090	Fairing,rh.	1	Vehicle colour:BLACK[black]
1	65746700AO	Fairing,rh.	1	Vehicle colour:Orange[orange]
2	860536	Hex socket screw	1	
3	184142	Spring plate	1	
4	6574660087	Fairing,lh.	1	Vehicle colour:White[white]
4	6574660090	Fairing,lh.	1	Vehicle colour:BLACK[black]
4	65746600AO	Fairing,lh.	1	Vehicle colour:Orange[orange]
5	860536	Hex socket screw	1	
6	184142	Spring plate	1	
7	85645200XH1	RH Covers,greym Phantom	1	
8	85645300XH1	Left closing Phantom Grey	1	
9	664303	Right side metallic retina	1	
10	664305	Left side metallic retina	1	
11	664454	Washer	6	
12	856454	Blank Underpanel	1	
12	8564540090	Underpanel, black	1	
13	575249	Screw with shank M6	2	
14	184142	Spring plate	7	

Group	Frame - Plastic parts - Coachwork
Code	02.33
Description	Wheel huosing - Mudguard
Service	1



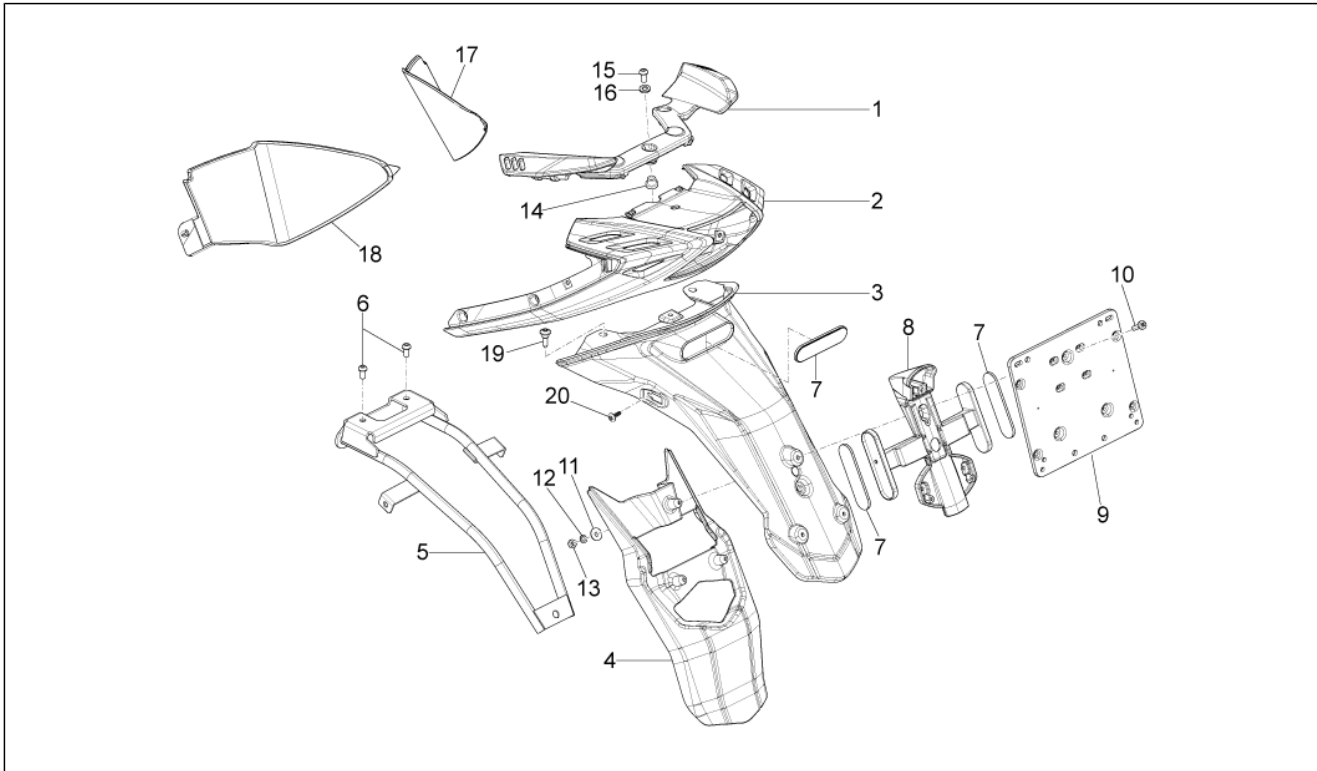
Pos.	Code	Description	Qty	Variants
1	66609100XH1	Front mudguard	1	
2	272836	Screw M6x16	2	
3	254485	Spring plate M6	2	
4	575249	Screw with shank M6	4	
5	85309600XH1	Rear mudguard grigio phantom	1	
6	67207000XH1	Wheel compartment	1	
7	259708	Self tapping screw M6x35	1	
8	575249	Screw with shank M6	1	

Group	Frame - Plastic parts - Coachwork
Code	02.34
Description	Helmet huosing - Undersaddle
Service	1



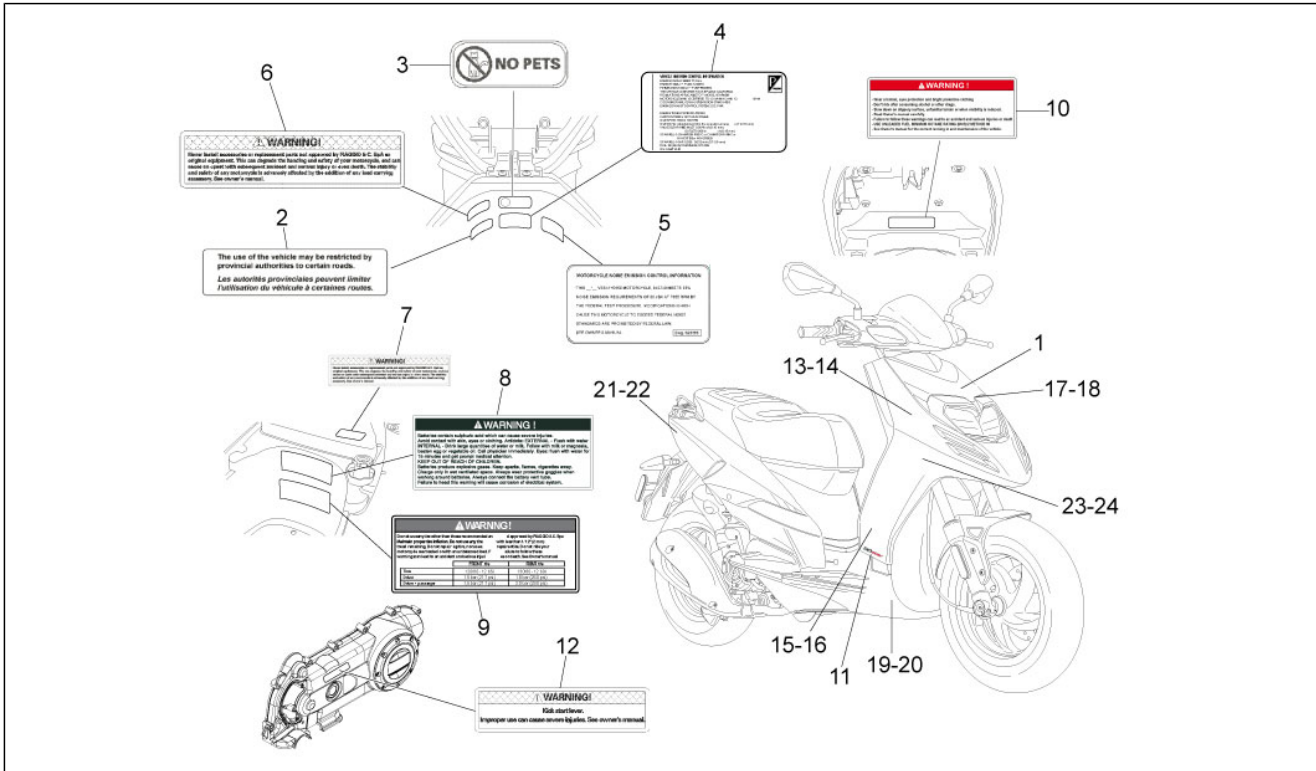
Pos.	Code	Description	Qty	Variants
1	67219000XH1	Helmet compartment	1	
2	575249	Screw with shank M6	2	
3	259372	Self tapping screw M4,2x25	3	
4	CM017410	Spring plate	4	
5	85299000XH1	Battery cover	1	
6	259349	Screw M4,2x13	3	
7	852700	Inspection cover	1	
8	890103	Oil tank compartment cover	1	
9	259349	Screw M4,2x13	1	

Group	Frame - Plastic parts - Coachwork
Code	02.37
Description	Rear cover - Splash guard
Service	1



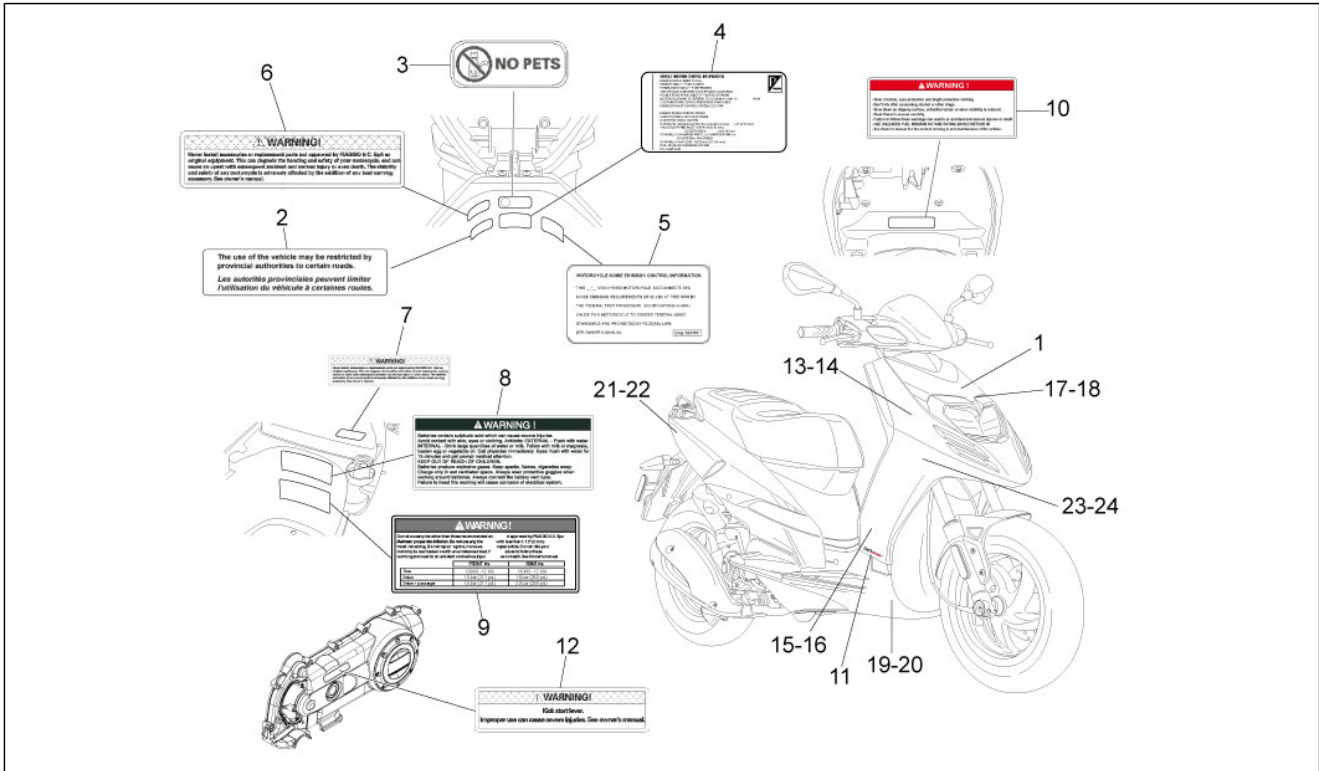
Pos.	Code	Description	Qty	Variants
1	657472	Passenger handle	1	
1	6574720090	Passenger handle	1	
2	65746900XH1	Fairings rear closing	1	
3	65747300XH1	Rear splash guard	1	
4	664310	Splash guard extension	1	
5	664434	Licence plate support sub-frame	1	
6	582428	Hex socket screw	2	
7	58233R	Rear retroreflector	3	
8	642018	Number plate holder support	1	
9	679464	[...]	1	
10	015996	Screw M4x12	3	
11	016404	Flat washer 4,2x7,6x0,9	3	
12	013763	Flat washer 4,2x12x1	3	
13	020104	Nut M4	3	
14	856459	Bush	3	
15	564606	Hex socket screw	3	
16	003058	Plain washer 15x8,4x1,5	3	
17	672186	RH rear wall	1	
18	672185	LH rear wall	1	
19	575249	Screw with shank M6	3	
20	259349	Screw M4,2x13	3	

Group	Frame - Plastic parts - Coachwork
Code	02.38
Description	Plates - Emblems
Service	1



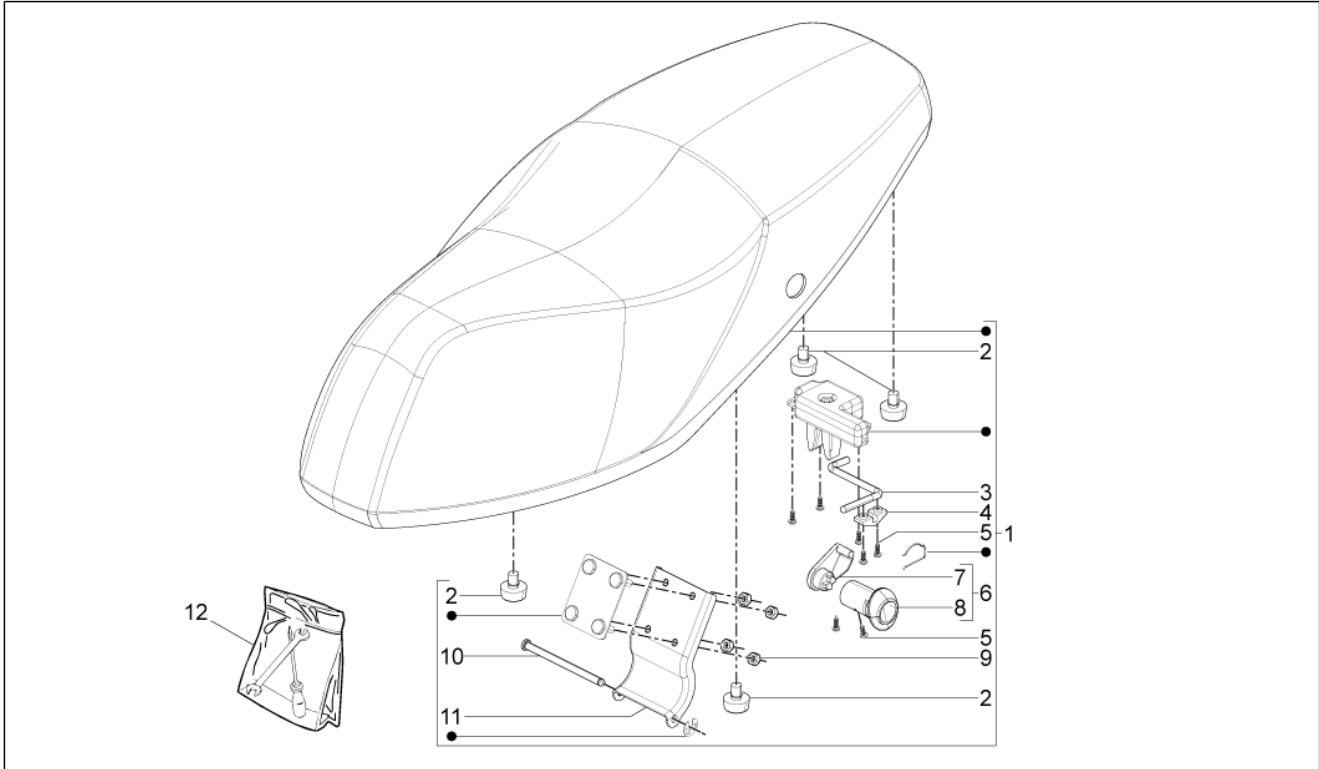
Pos.	Code	Description	Qty	Variants
1	677062	Front shield decal "aprilia italia"	1	
2	623995	Vehicle use CANADA	1	
3	576953	Name plate "No pets"	1	
4	671449	""Emission control"" label"	1	
5	671448	"NOISE EMISSION" name plate	1	
6	576708	Accessories sticker	1	
7	B045974	Fuel decal E15	1	
8	576702	Battery decal	1	
9	671452	Tyre pressure label	1	
10	576704	"Safety" plate	1	
11	673913	Adhesive dataplate 50 4T/4V	2	
12	576707	"Kick starter" plate	1	
13	677056	Right front shield decal 50	1	Vehicle colour:Orange[orange], White[white]
13	677067	Right front shield decal 50	1	Vehicle colour:BLACK[black]
14	677057	Left front shield decal 50	1	Vehicle colour:Orange[orange], White[white]
14	677068	Left front shield decal 50	1	Vehicle colour:BLACK[black]
15	677060	Right front shield decal SR	1	Vehicle colour:Orange[orange], White[white]
15	677071	Right front shield decal SR	1	Vehicle colour:BLACK[black]
16	677061	Left front shield decal SR	1	Vehicle colour:Orange[orange], White[white]
16	677072	Left front shield decal SR	1	Vehicle colour:BLACK[black]
17	677058	Right front shield band decal	1	Vehicle colour:Orange[orange], White[white]
17	677069	Right front shield band decal	1	Vehicle colour:BLACK[black]
18	677059	Left front shield band decal	1	Vehicle colour:Orange[orange], White[white]
18	677070	Left front shield band decal	1	Vehicle colour:BLACK[black]
19	677063	Right under-footrest decal "aprilia"	1	Year:2013[D], 2014[E]
20	677064	Left under-footrest decal "aprilia"	1	Year:2013[D], 2014[E]
21	677065	Right tail fairing number plate decal "SR Motard"	1	Vehicle colour:Orange[orange], White[white]
21	677073	Right tail fairing number plate decal "SR Motard"	1	Vehicle colour:BLACK[black]

Group	Frame - Plastic parts - Coachwork
Code	02.38
Description	Plates - Emblems
Service	1



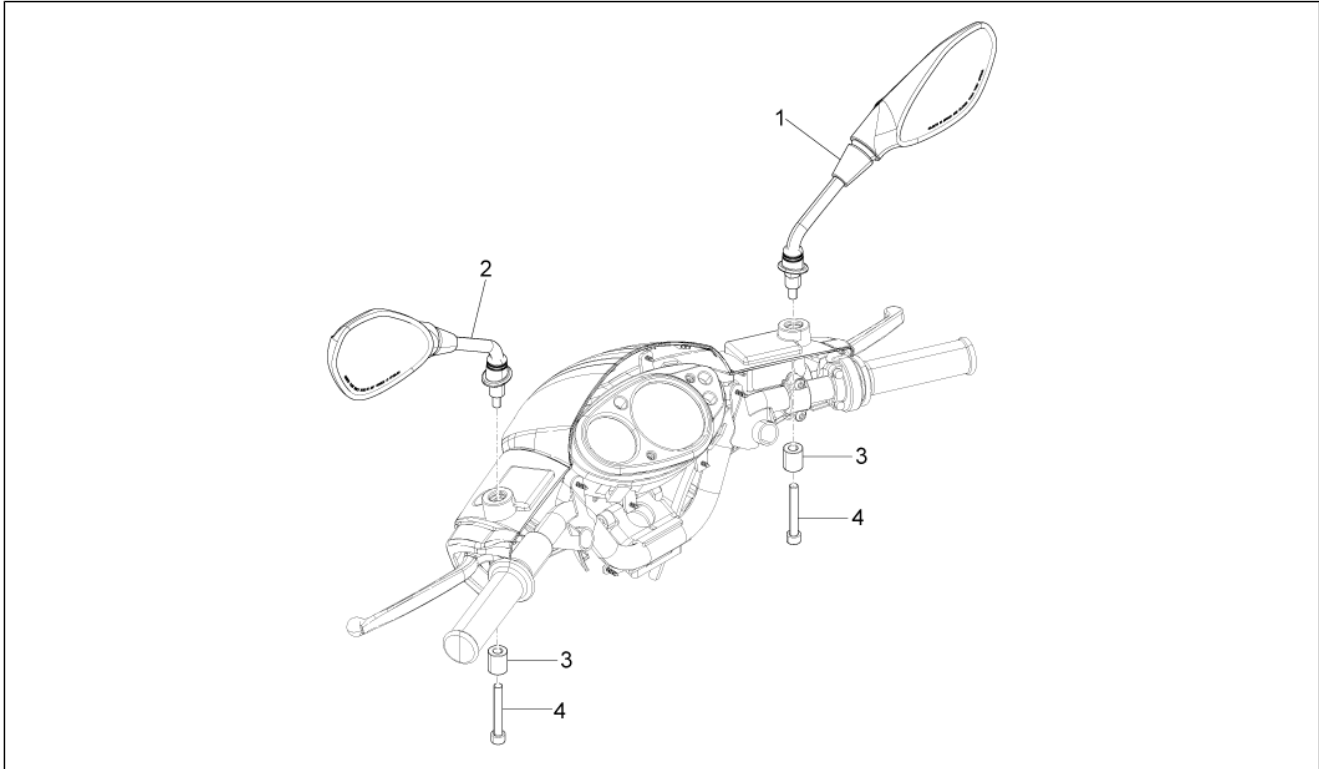
Pos.	Code	Description	Qty	Variants
22	677066	Left tail fairing number plate decal "SR Motard"	1	Vehicle colour:Orange[orange], White[white]
22	677074	Left tail fairing number plate decal "SR Motard"	1	Vehicle colour:BLACK[black]
23	5A000289	Right under-footrest decal "aprilia"	1	Year:2015[F] Vehicle colour:White[white] Country:United States of America[USA]
23	5A000291	Right under-footrest decal "aprilia"	1	Year:2015[F] Vehicle colour:BLACK[black] Country:United States of America[USA]
24	5A000290	Left under-footrest decal "aprilia"	1	Year:2015[F] Vehicle colour:White[white] Country:United States of America[USA]
24	5A000292	Left under-footrest decal "aprilia"	1	Year:2015[F] Vehicle colour:BLACK[black] Country:United States of America[USA]

Group	Frame - Plastic parts - Coachwork
Code	02.39
Description	Saddle/seats - Tool roll
Service	1



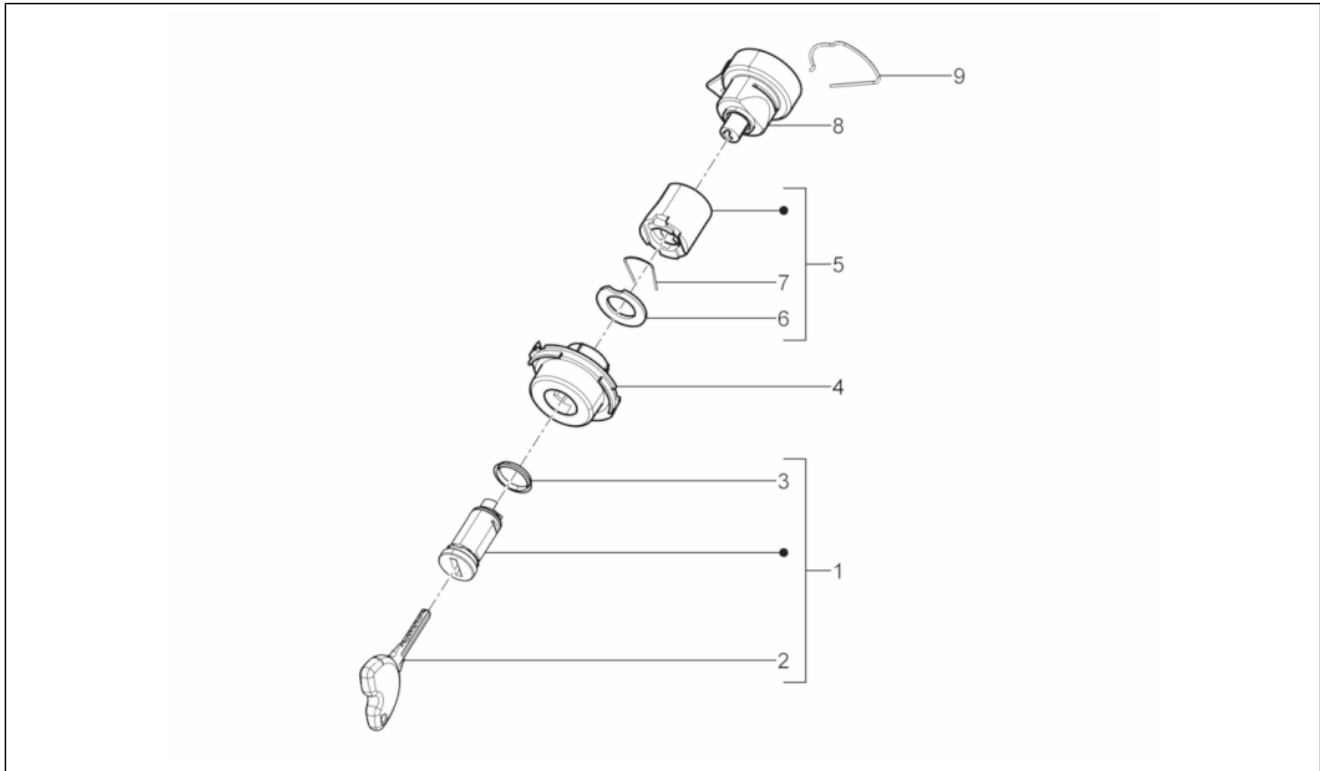
Pos.	Code	Description	Qty	Variants
1	675331	Saddle assembly	1	
2	577492	Pad	4	
3	856462	Lock lever	1	
4	296743	Bracket	1	
5	268596	Self tapping screw D4x13	7	
6	672327	Saddle lock hardware kit	1	
7	856463	Eccentric tightening	1	
8	652695	Lock body	1	
9	269136	Nut	4	
10	856466	Pin	1	
11	856465	Saddle hinge	1	
12	666727	Complete tools bag	1	

Group	Frame - Plastic parts - Coachwork
Code	02.45
Description	Driving mirror/s
Service	1



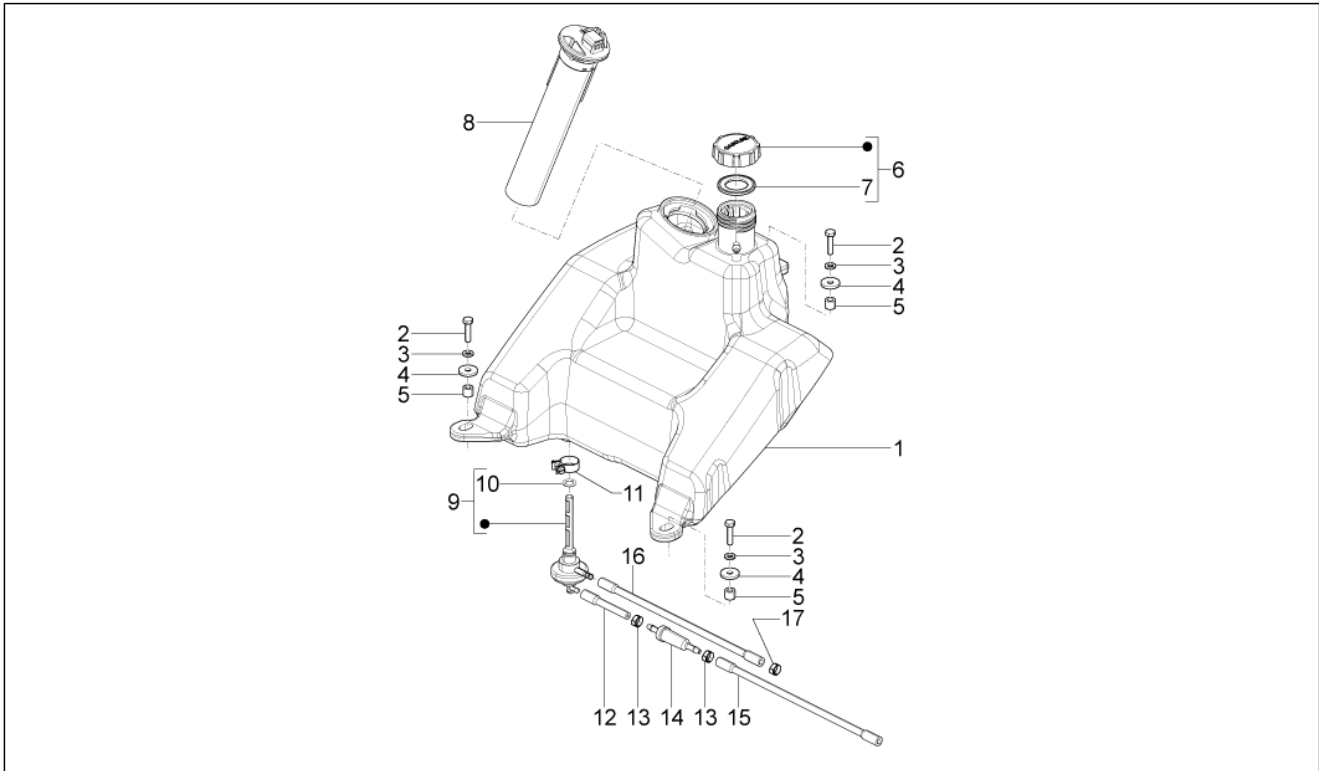
Pos.	Code	Description	Qty	Variants
1	858537	RH rearview mirror	1	
2	858538	LH rearview mirror	1	
3	853074	Bush	2	
4	872997	Hex socket screw M8x55	2	

Group	Frame - Plastic parts - Coachwork
Code	02.46
Description	Locks
Service	1



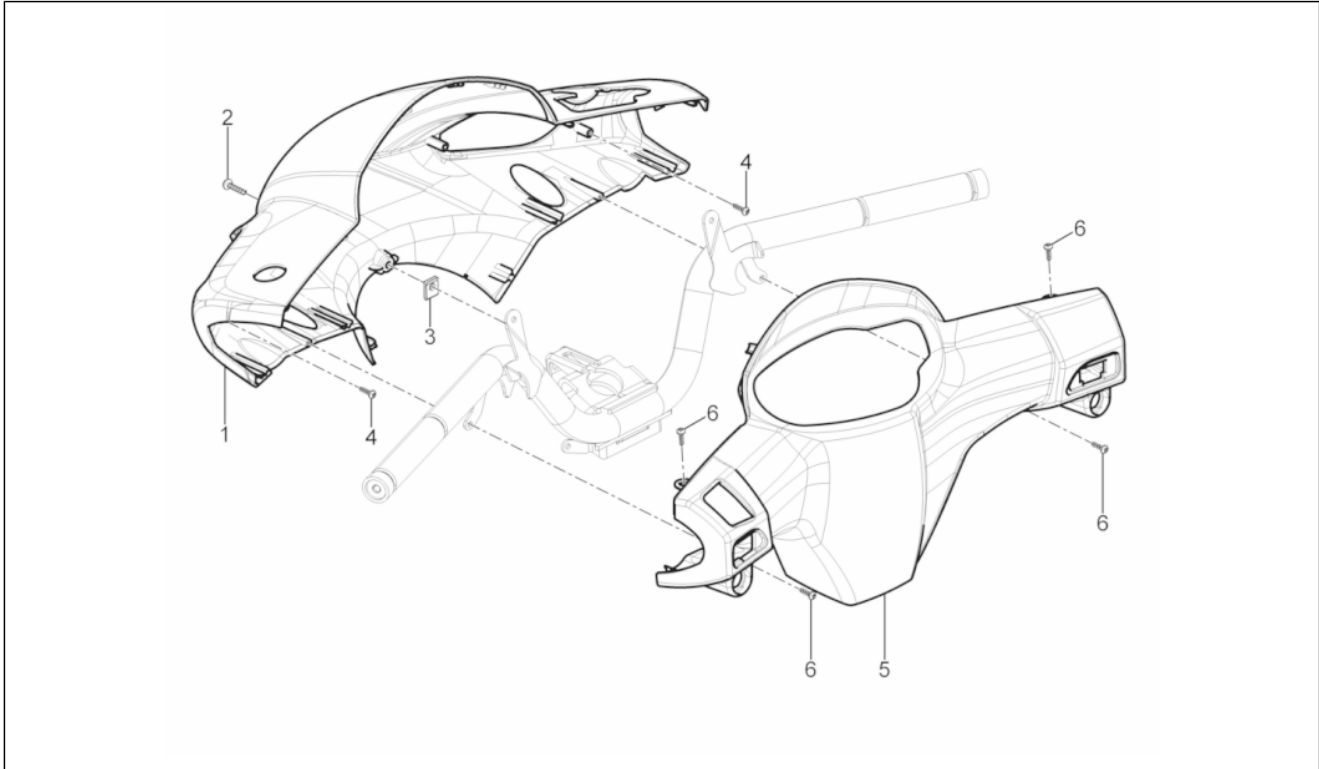
Pos.	Code	Description	Qty	Variants
1	860193	Lock cylinder	1	
2	860691	Key	2	
3	298731	Gasket ring	2	
4	298581	Lock body	1	
5	298903	Complete lock block	1	
6	298594	Flat washer	1	
7	298838	Cylinder retainer spring	1	
8	643133	Key switch	1	
9	253937	Spring	1	

Group	Frame - Plastic parts - Coachwork
Code	02.47
Description	Fuel tank
Service	1



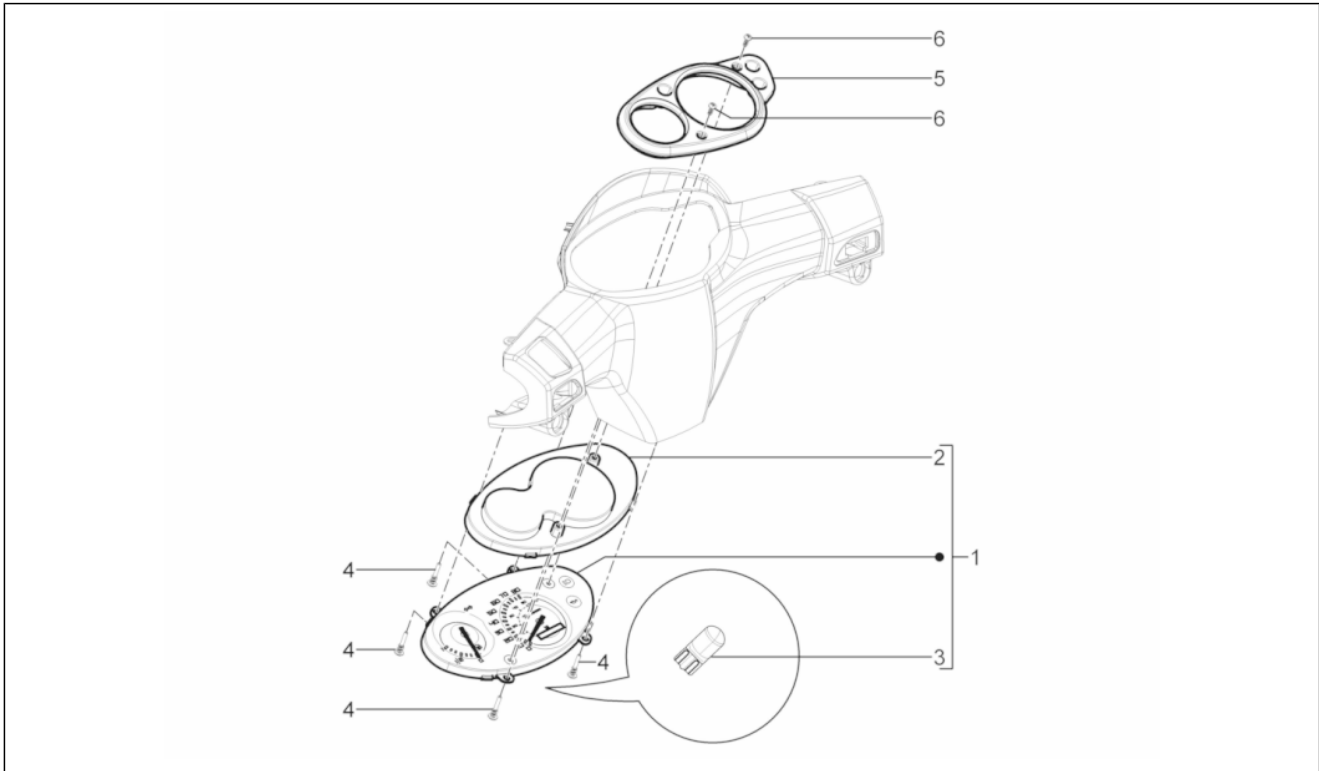
Pos.	Code	Description	Qty	Variants
1	657512	Fuel tank	1	
2	031092	screw M6x25	3	
3	016406	Spring washer 6,4x11,8x1	3	
4	268304	Flat washer 6,5x21	3	
5	231027	Spacer	3	
6	656022	Plug	1	
7	656021	Tank cover gasket	1	
8	CM025711	Fuel level probe	1	
9	575321	Depression tap	1	
10	196868	Gasket	1	
11	577557	Hose clamp	1	
12	CM027916	pipe 3,25x8x420	1	
13	CM001912	Hose clamp	2	
14	624522	Vacuum filter	1	
15	CM178401	pipe L=350mm	1	
16	CM027916	pipe 3,25x8x420	1	
17	CM002901	Hose clamp	1	

Group	Handlebars/Steering
Code	03.01
Description	Handlebars coverages
Service	1



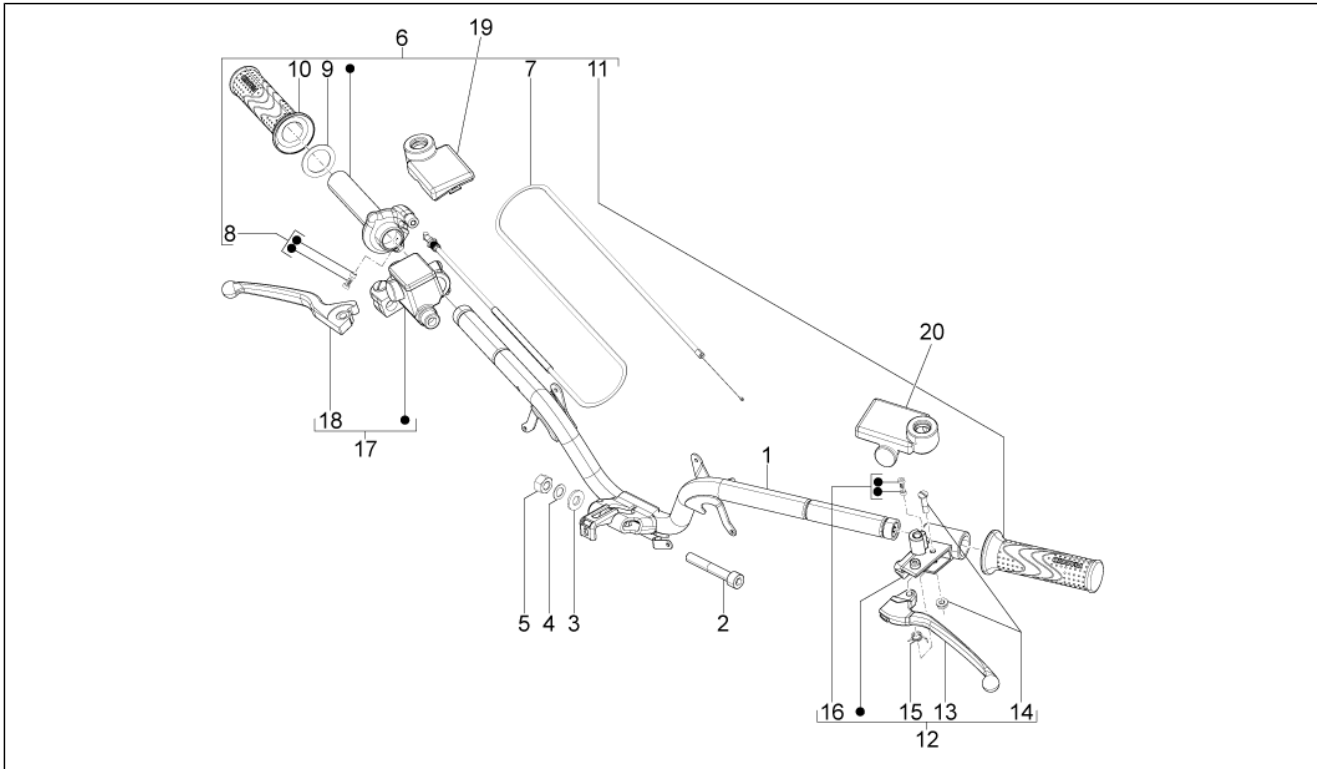
Pos.	Code	Description	Qty	Variants
1	8909800090	Front handlebars cover	1	
2	008457	Self-tap screw M4,2x19	1	
3	CM017409	Spring plate	1	
4	267115	Self tapping screw M4x16	2	
5	8530500090	Rear handlebars cover	1	
6	267115	Self tapping screw M4x16	4	

Group	Handlebars/Steering
Code	03.02
Description	Meter combination - Cruscotto
Service	1



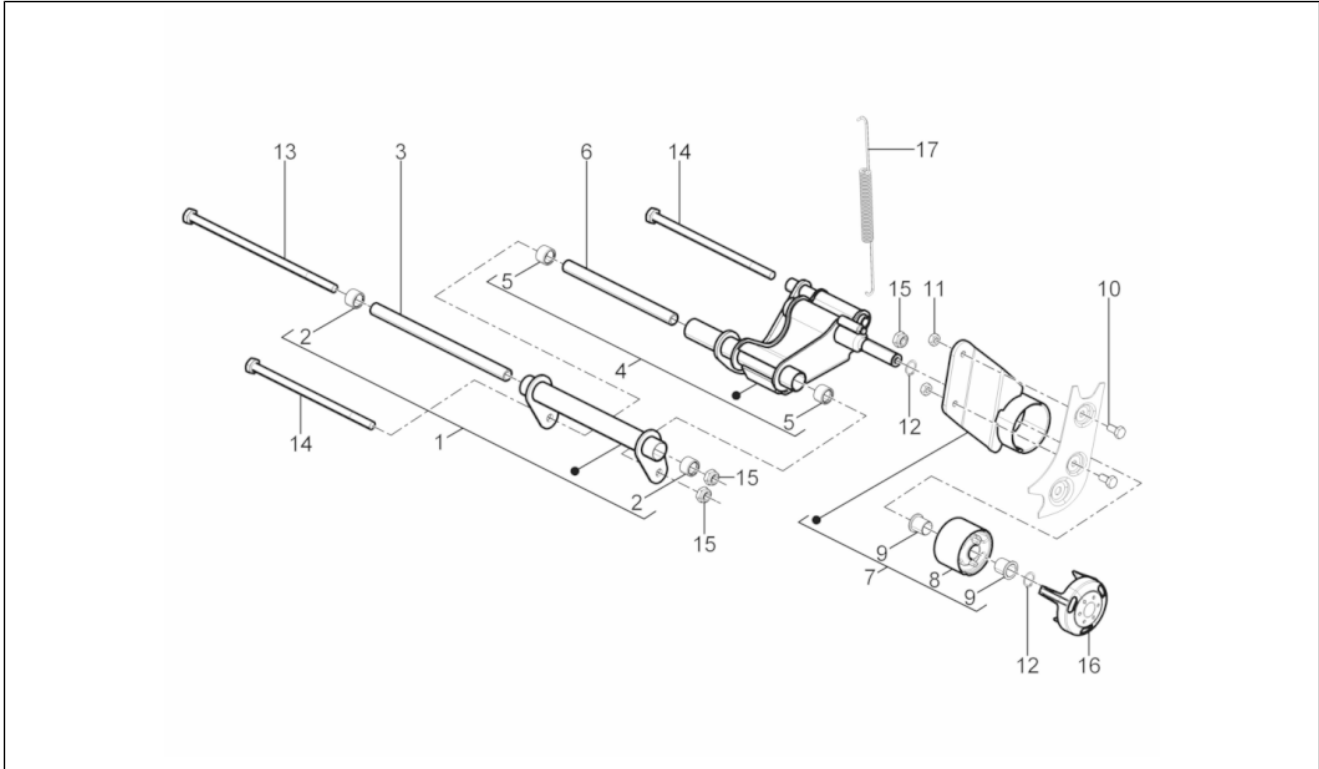
Pos.	Code	Description	Qty	Variants
1	1D000072	***SPEEDOMETER	1	Country:United States of America[USA]
1	1D000073	***SPEEDOMETER	1	Country:Canadian[CA]
2	856440	Instrument panel glass	1	
3	164634	12v-1.2w bulb	5	
4	268596	Self tapping screw D4x13	4	
5	6420190090	Dashboard panel blank	1	
6	860535	Hex socket screw	2	

Group	Handlebars/Steering
Code	03.06
Description	Handlebars - Master cil.
Service	1



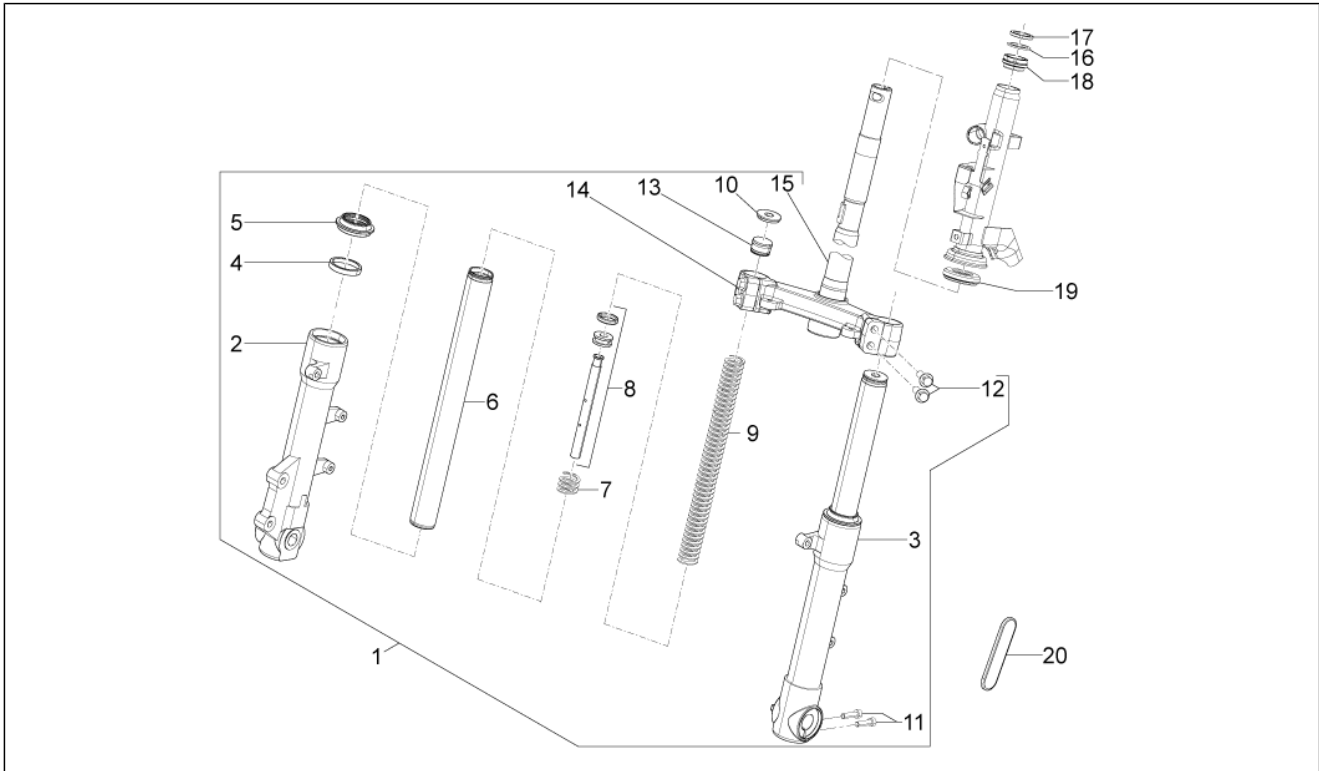
Pos.	Code	Description	Qty	Variants
1	853047	Handlebar	1	
2	655554	Hex socket screw M10x65	1	
3	178790	Flat washer 22x10,3x2,5	1	
4	012543	Flat elastic washer with internal tothing 17x10,3x2	1	
5	015330	Nut M10	1	
6	CM060986	Throttle cpl.	1	
7	666421	Gas lever transmission	1	
8	123394	Screw with bushing	1	
9	562923	Ring 38,3x27x1,2	1	
10	274491	RH hand grip	1	
11	274489	Grip, l.h.	1	
12	CM063805	Sleeve with rear brake lever	1	
13	564681	Lever	1	
14	265249	screw	1	
15	267948	Spring	1	
16	123394	Screw with bushing	1	
17	CM064303	Brake m.cyl.	1	
18	497041	Front brake lever	1	
19	853072	RH plug	1	
20	856455	LH plug	1	

Group	Suspensions - Wheels
Code	04.01
Description	Swinging arm
Service	1



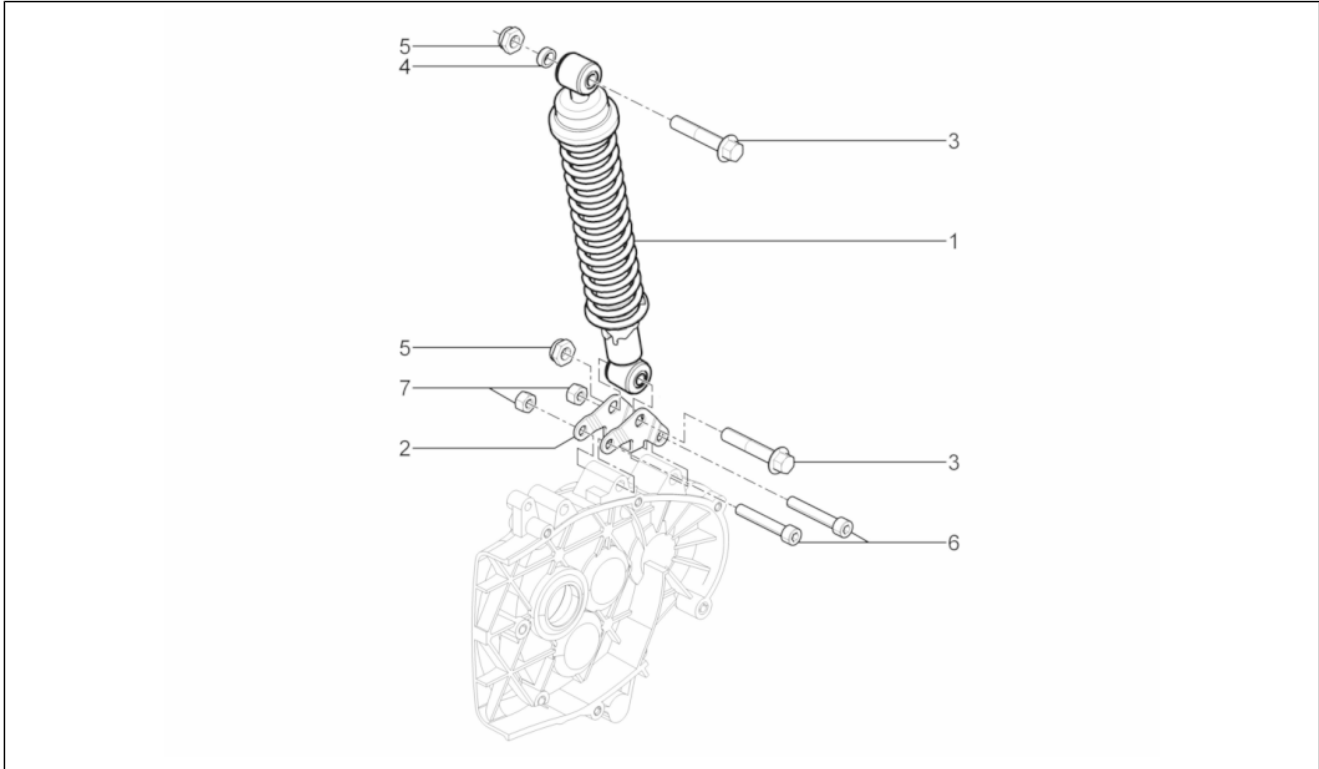
Pos.	Code	Description	Qty	Variants
1	56411R	Chassis side swinging arm	1	
2	56127R	Roller cage	2	
3	CM067803	Spacer L=228 mm	1	
4	860902	Engine side swinging arm	1	
5	56127R	Roller cage	2	
6	CM067801	Spacer L=183 mm	1	
7	664219	Silent block support bracket	1	
8	272750	Silent-block	1	
9	273460	Bush	2	
10	031116	Hex socket screw	2	
11	272176	Nut	2	
12	006416	Circlip	2	
13	563977	Hex screw M10x245	1	
14	271807	Hex screw M10x202	2	
15	002440	Self locking nut M10	3	
16	655151	Silent block cover	1	
17	856446	Spring	1	

Group	Suspensions - Wheels
Code	04.02
Description	Fork/steering tube - Steering bearing unit
Service	1



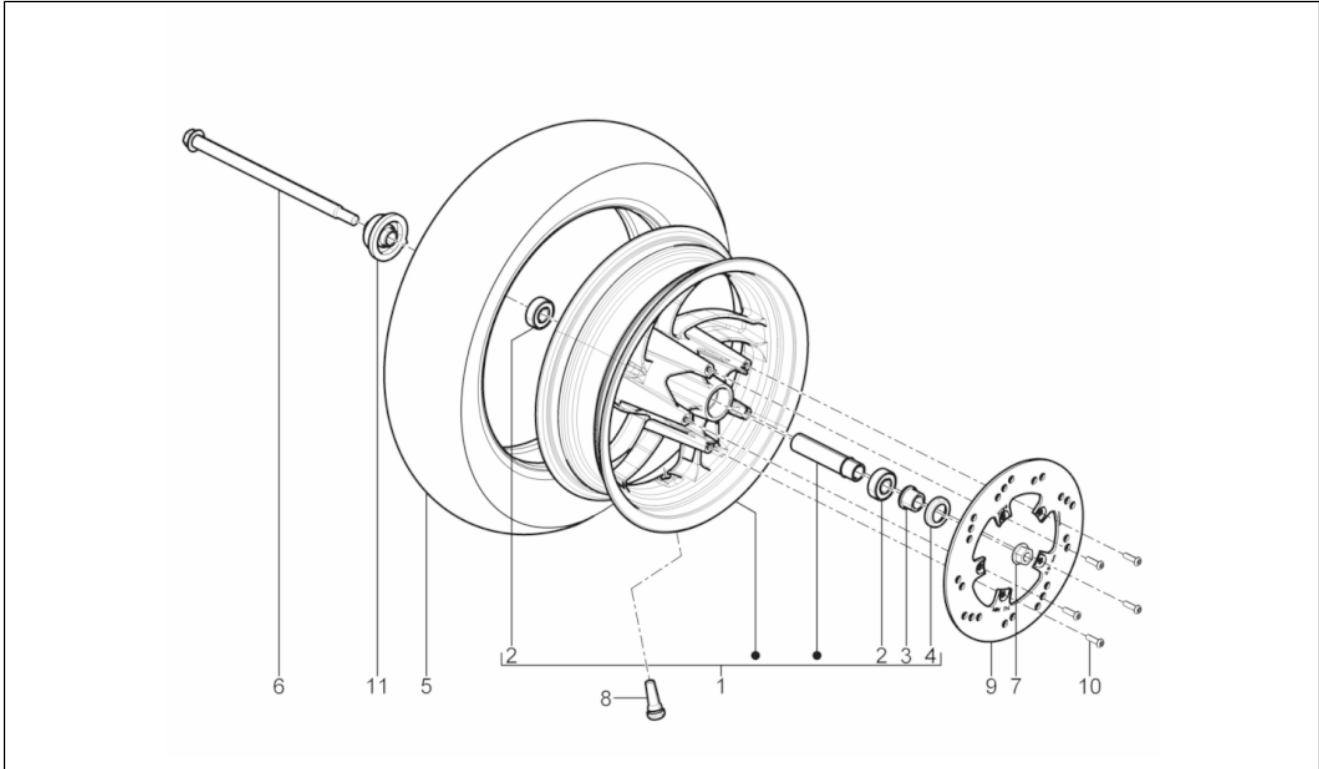
Pos.	Code	Description	Qty	Variants
1	668484	Front fork assembly	1	
2	666261	RH sleeve	1	
3	666262	LH sleeve	1	
4	600485	Fork oil seal	2	
5	600490	Dust cover	2	
6	858319	Fork stanchion	2	
7	858322	Secondary Spring	2	
8	858321	Fork piston	2	
9	858320	Fork spring	2	
10	600486	Fork tube cap	2	
10	600495	Cover	2	
11	601401	screw	2	
12	600482	Screw w/ flange	4	
13	600486	Fork tube cap	2	
14	600496	Sterms bracket	1	
15	858318	Steering column tube	1	
16	0037514	Washer of the steering	1	
17	0111094	Steering tube ring nut	1	
18	650693	Upper thrust ring	1	
19	650075	Lower steering bearing	1	
20	664045	Lateral reflector	2	

Group	Suspensions - Wheels
Code	04.10
Description	Rear suspension - Shock absorber/s
Service	1



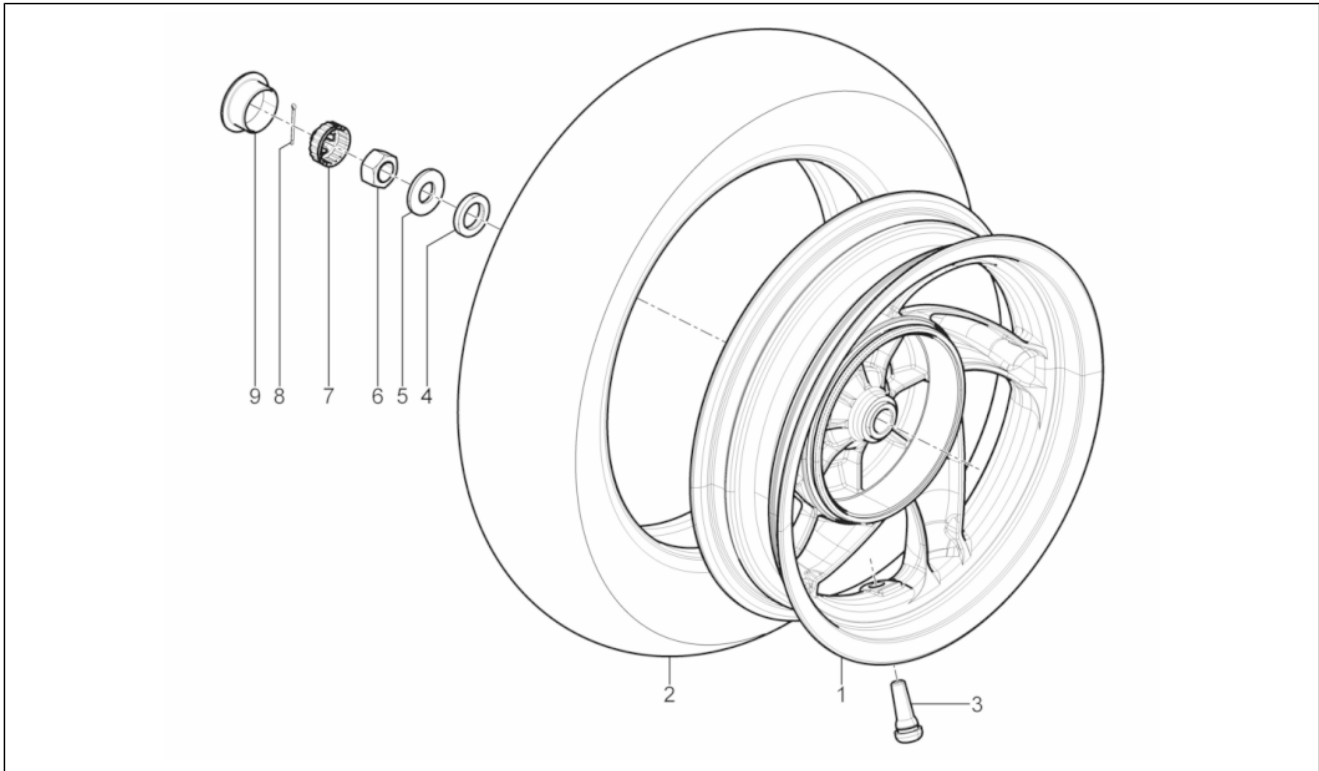
Pos.	Code	Description	Qty	Variants
1	666822	Complete rear shock absorber	1	
2	666821	Shock absorber connection bracket	1	
3	268158	Screw w/ flange M10	2	
4	666823	Spacer	1	
5	002440	Self locking nut M10	2	
6	844483	Hex socket screw M8x50	2	
7	020008	Nut M8	2	

Group	Suspensions - Wheels
Code	04.11
Description	Front wheel
Service	1



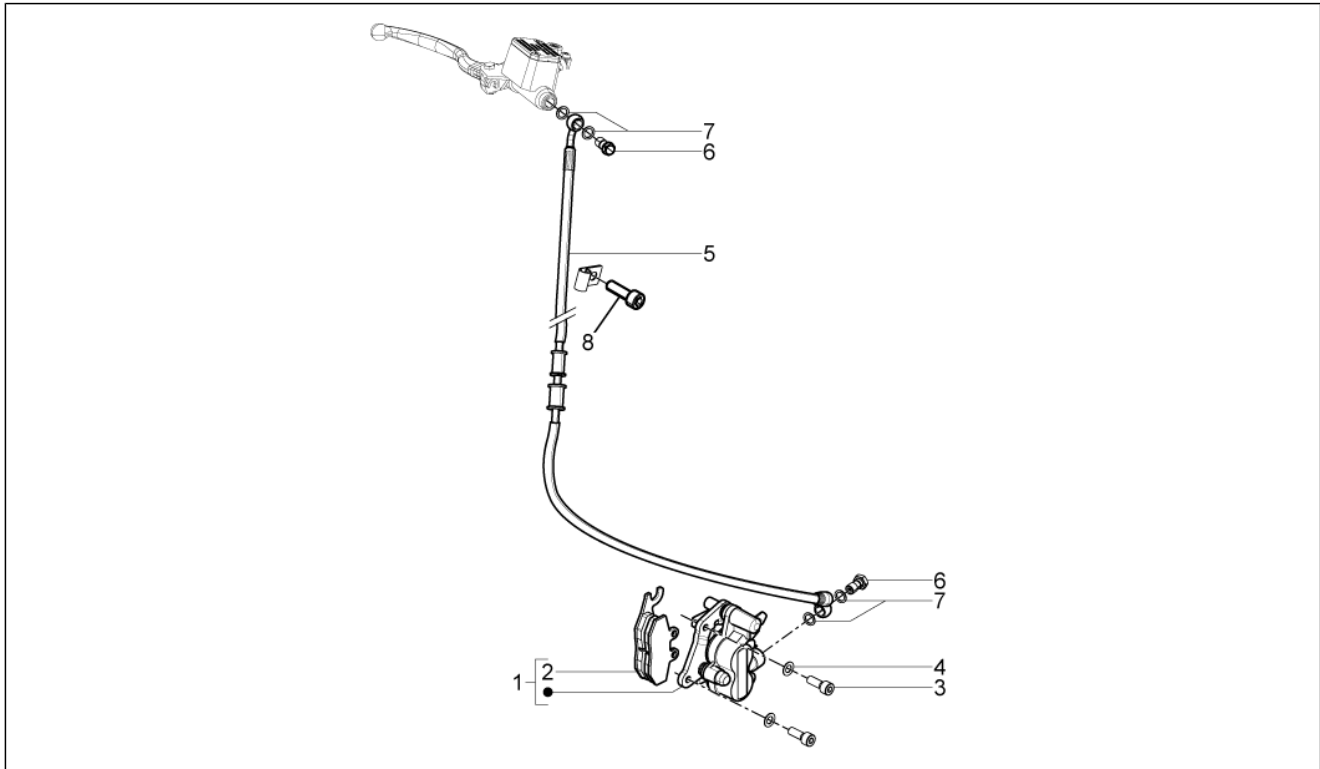
Pos.	Code	Description	Qty	Variants
1	666311	Front wheel	1	
2	327187	Bearing	2	
3	564527	Front wheel spacer	1	
4	564475	Cup	1	
5	679249	Tyre 120/70-14" 55P	1	
6	853058	Front wheel axle	1	
7	271740	Nut M12	1	
8	270991	Tubeless tyre valve	1	
9	561714	Front brake disc	1	
10	271147	Hex socket screw M6x20	5	
11	56434R	Kilometre counter movement socket	1	

Group	Suspensions - Wheels
Code	04.12
Description	Rear wheel
Service	1



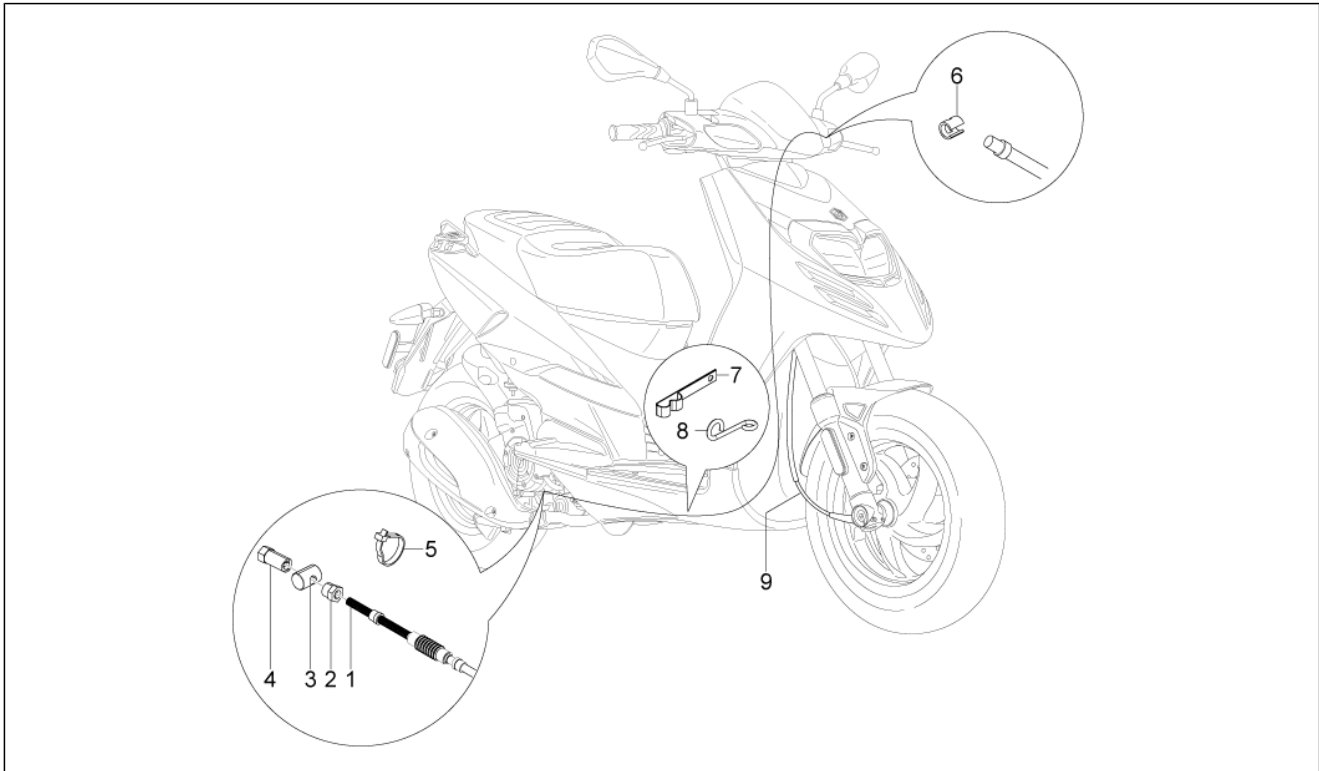
Pos.	Code	Description	Qty	Variants
1	666286	Rear wheel	1	
2	679249	Tyre 120/70-14" 55P	1	
3	270991	Tubeless tyre valve	1	
4	601205	Spacer	1	
5	273099	Plain washer 34,8x16,2x3	1	
6	563728	Nut M16x13	1	
7	194423	Nut hold cap	1	
8	012789	Split pin	1	
9	197983	Cover	1	

Group	Braking system - Transmissions
Code	05.01
Description	Brakes pipes - Calipers
Service	1



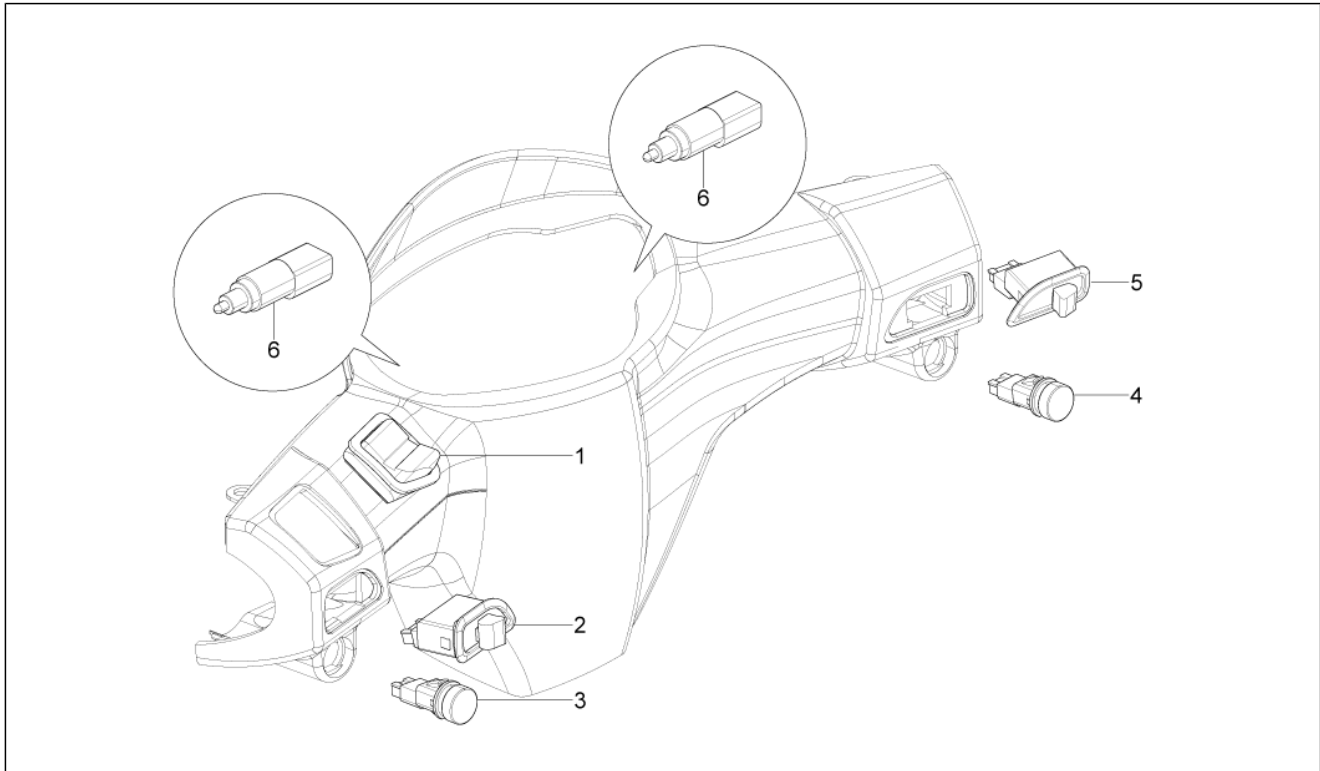
Pos.	Code	Description	Qty	Variants
1	CM068310	Front brake caliper	1	
2	650983	Brake pads kit	1	
3	598919	screw	2	
4	709047	Spring washer	2	
5	858543	Brake fluid line	1	
6	651502	Oil pipe screw M10x18	2	
7	127927	Gasket	4	
8	709674	Hex socket screw M6x20	2	

Group	Braking system - Transmissions
Code	05.03
Description	Transmissions
Service	1



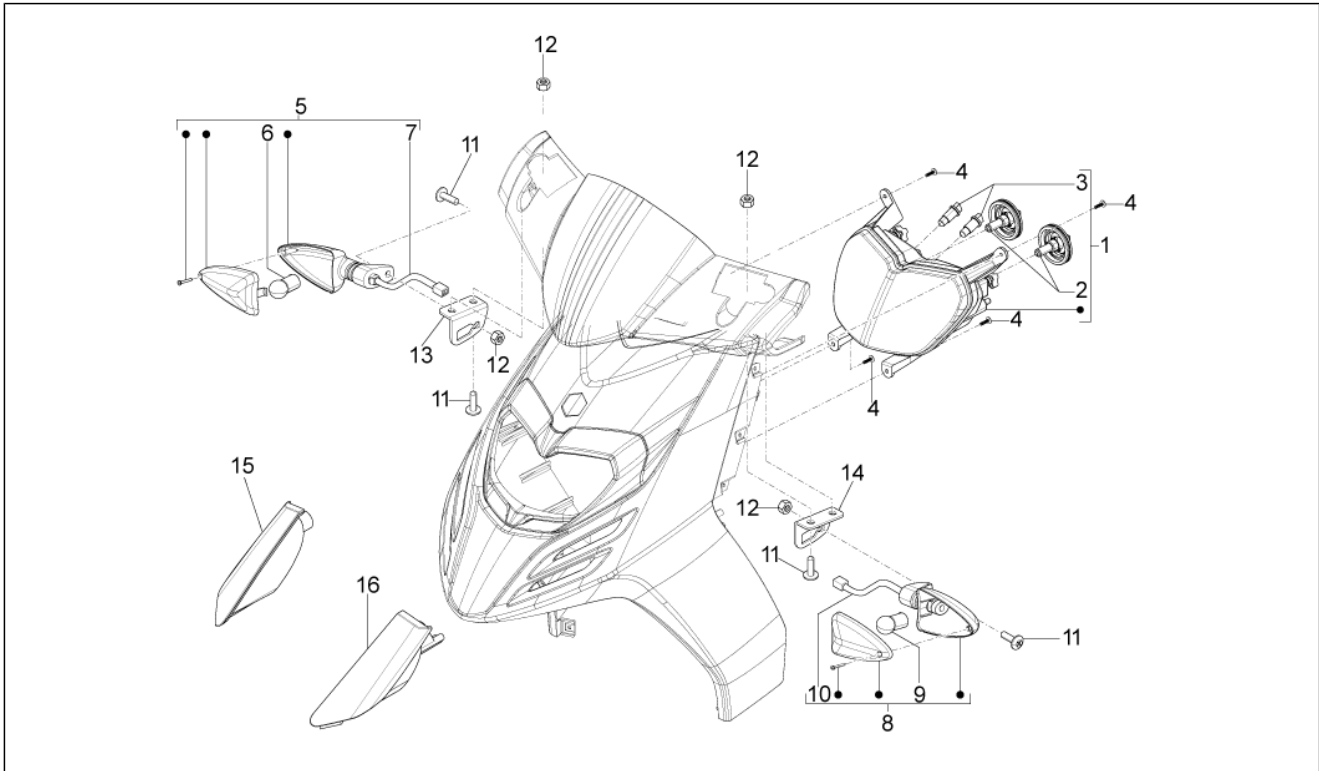
Pos.	Code	Description	Qty	Variants
1	666930	Rear brake transmission	1	
2	598918	Registro freno posteriore	1	
3	179640	Pin	1	
4	270310	Registro freno posteriore	1	
5	145298	Lock-strap L=180mm	1	
6	266040	Bush	1	
7	860139	Wiring clip	2	
8	666929	Fairlead	1	
9	858542	Speedometer transmission	1	

Group	Electrical system
Code	06.01
Description	Selectors - Switches - Buttons
Service	1



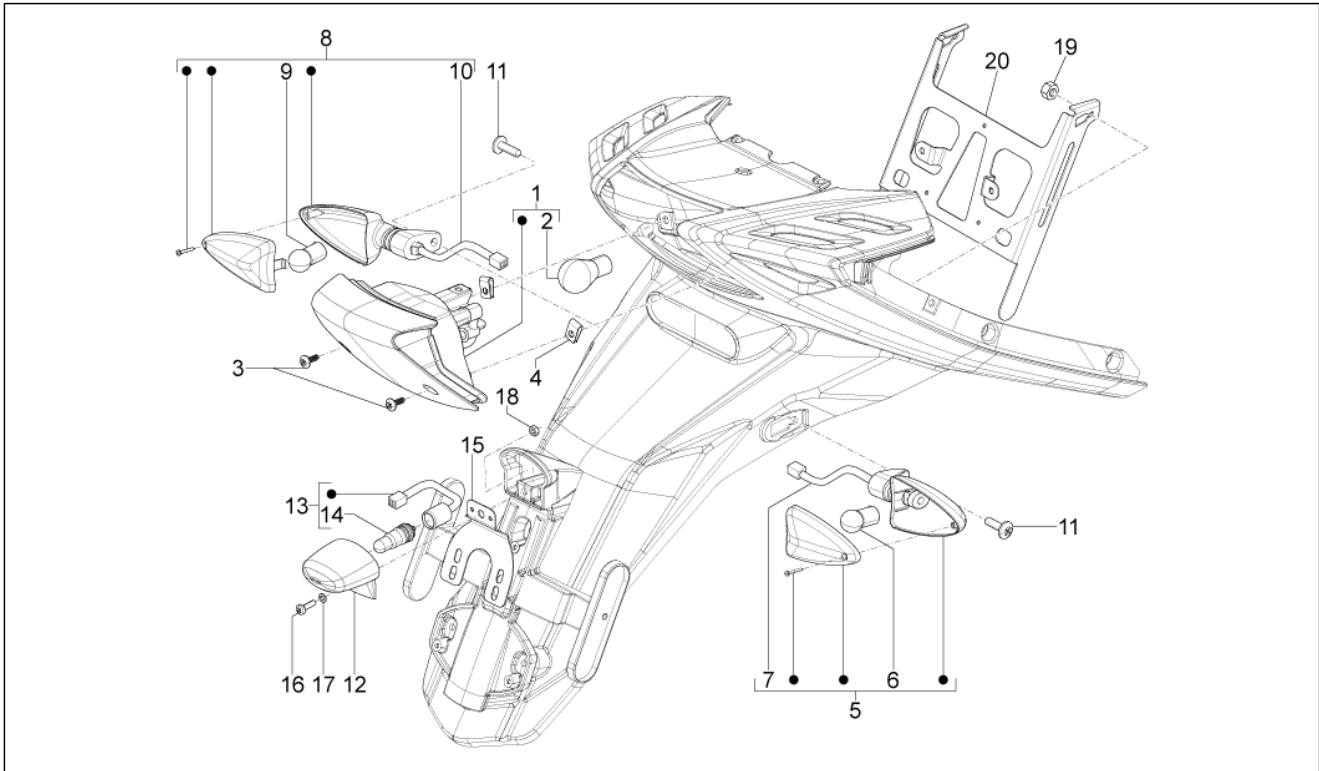
Pos.	Code	Description	Qty	Variants
1	641825	Headlight selector	1	
2	638628	Turn signal lamps switch	1	
3	58058R	Horn button	1	
4	58057R	Start pushbutton	1	
5	638626	Button engine stop	1	
6	583575	stop Button	2	

Group	Electrical system
Code	06.03
Description	Front headlamps - Turn signal lamps
Service	1



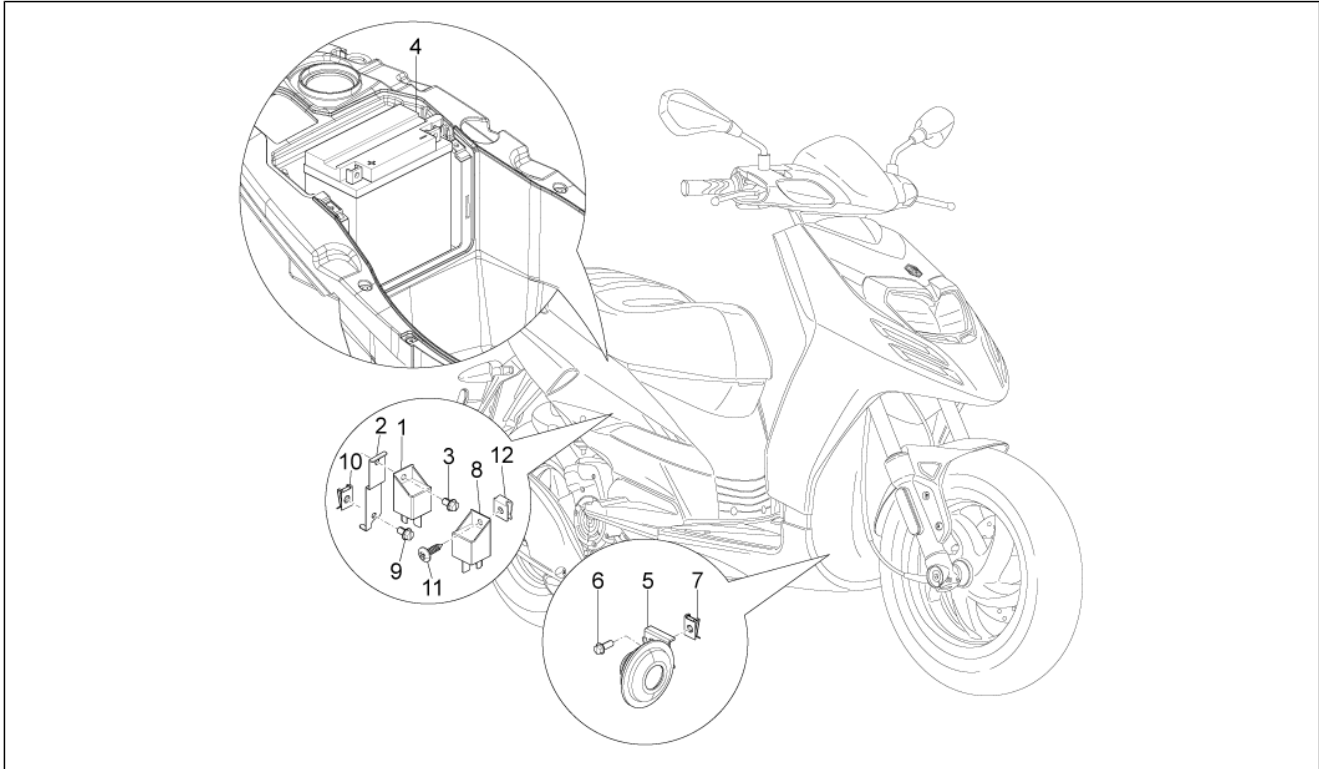
Pos.	Code	Description	Qty	Variants
1	642021	Front headlight	1	
2	00H01004131	Lamp H8	2	
3	294131	Lamp 12V-3W	2	
4	270723	Self tapping screw	4	
5	642023	Right rear turn indicator	1	
6	584332	Lamp 12V-10W	1	
7	664359	Right indicator cable assembly	1	
8	642024	Left rear turn indicator	1	
9	584332	Lamp 12V-10W	1	
10	664361	Left indicator cable assembly	1	
11	272836	Screw M6x16	8	
12	288245	Self locking nut M6	8	
13	890236	RH support	1	
14	890235	LH support	1	
15	890262	RH plug	1	
16	890263	LH plug	1	

Group	Electrical system
Code	06.04
Description	Rear headlamps - Turn signal lamps
Service	1



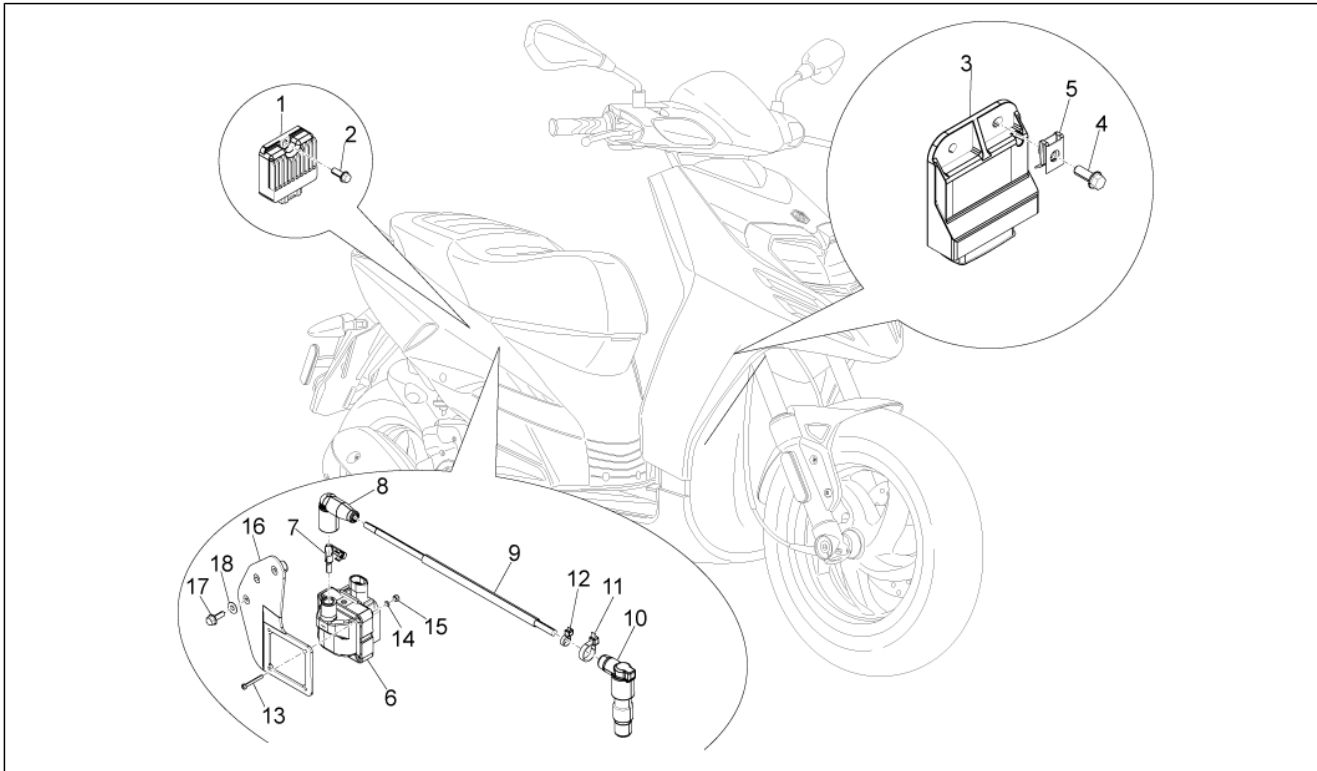
Pos.	Code	Description	Qty	Variants
1	642022	Taillight	1	
2	129953	Lamp 12V-21/5W	1	
3	664457	ZPF screw	2	
4	184142	Spring plate	2	
5	642023	Right rear turn indicator	1	
6	584332	Lamp 12V-10W	1	
7	664359	Right indicator cable assembly	1	
8	642024	Left rear turn indicator	1	
9	584332	Lamp 12V-10W	1	
10	664361	Left indicator cable assembly	1	
11	259830	Metric screw M6x20	2	
12	858306	Number plate lamp	1	
13	858180	Plate light wiring	1	
14	292022	Lamp 12V-5W	1	
15	858334	License plate lamp bracket	1	
16	018591	screw M4x14	2	
17	016404	Flat washer 4,2x7,6x0,9	2	
18	020104	Nut M4	2	
19	288245	Self locking nut M6	2	
20	895095	Rear bracket	1	

Group	Electrical system
Code	06.05
Description	Remote control switches - Battery - Horn
Service	1



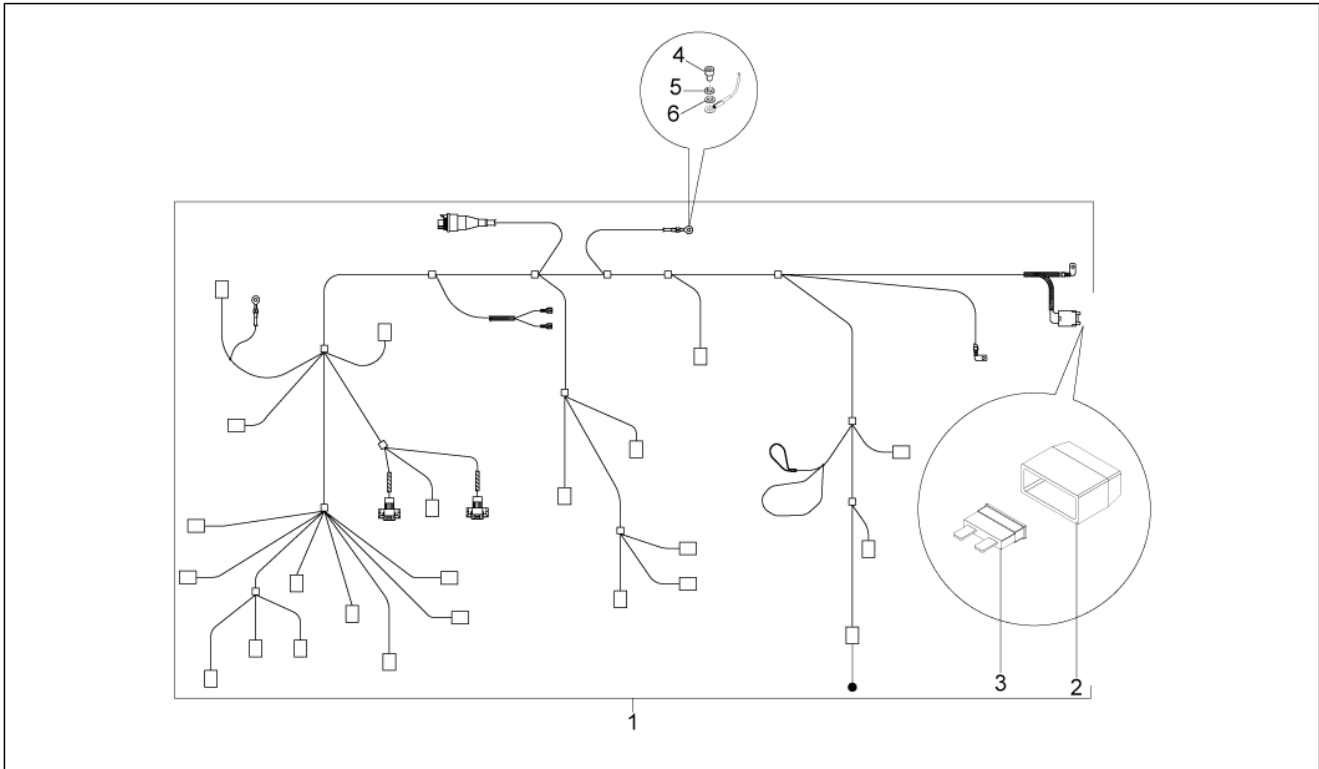
Pos.	Code	Description	Qty	Variants
1	642318	Starter relay 12V-80A	1	
2	642195	RELAY BRACKET	1	
3	969296	Screw w/ flange M6x10	1	
4	584810	Battery 12V-9Ah	1	
5	58093R	Horn	1	
6	434541	Screw w/ flange M6x16	1	
7	254485	Spring plate M6	1	
8	58246R	Rem. control switch 12V 30A	1	
9	969296	Screw w/ flange M6x10	1	
10	254485	Spring plate M6	1	
11	576189	Screw d4,2x16	1	
12	CM017409	Spring plate	1	

Group	Electrical system
Code	06.06
Description	Voltage Regulators - Electronic Control Units (ecu) - H.T. Coil
Service	1



Pos.	Code	Description	Qty	Variants
1	641788	Voltage regulator (LANGFANG KOKUSAN)	1	
2	434541	Screw w/ flange M6x16	1	
3	254485	Spring plate M6	1	
4	CM088402	Electronic ignition unit	1	
5	434541	Screw w/ flange M6x16	2	
6	58120R	HT coil	1	
7	641725	HV terminal	1	
8	641040	Insulating cap	1	
9	080341	H.V. cable	1	
10	080341	H.V. cable	1	
10	639498	Scr. sparkplug cap	1	
11	257134	Lock-strap L=277	1	
12	145298	Lock-strap L=180mm	1	
13	583236	screw M3x20	4	
14	012554	Washer 3.2x5.7x0.9	4	
15	020003	Nut m3	4	
16	642211	Coil support plate	1	
17	830061	Screw w/ flange M5x16	3	
18	016666	Plain washer	3	

Group	Electrical system
Code	06.08
Description	Main cable harness
Service	1



Pos.	Code	Description	Qty	Variants
1	679237	Cable harness	1	
2	290404	Cover	1	
3	290860	Fuse 15A	1	
4	641204	Tri/lobed hexagonal self-tapping screw	1	
5	016406	Spring washer 6,4x11,8x1	1	
6	003056	Flat washer 6,4x12x1	1	