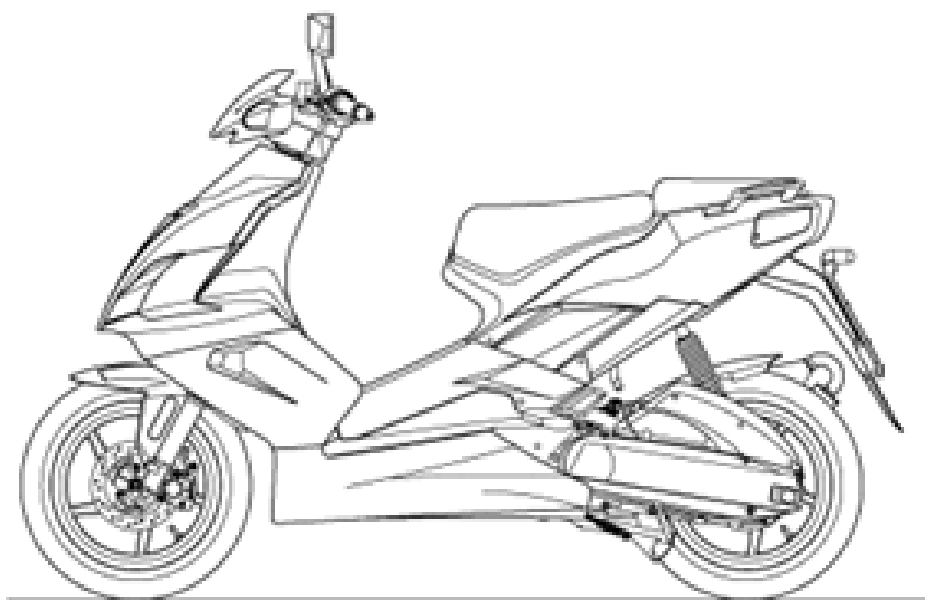




PIAGGIO & C.s.p.a.

**aprilia**

## SPARE PARTS CATALOGUE



### **SR 50 H2O NEW (IE+Carb.) 04-09**

Chassis prefix: ZD4VFB, ZD4VFD, ZD4VFU, ZD4VFE, ZD4VFG

Engine prefix:

## Index

Finished products.....	4
Alphanumeric index.....	5
FRAME.....	12
Table 28.01 - Frame.....	12
Table 28.02 - Central stand - Connecting rod.....	13
Table 28.03 - Front fork I.....	14
Table 28.04 - Fork II.....	15
Table 28.05 - Front fork III.....	16
Table 28.06 - Front body I.....	17
Table 28.07 - Front body II.....	18
Table 28.08 - Front body III.....	21
Table 28.09 - Front body IV.....	24
Table 28.10 - Central body I.....	25
Table 28.11 - Central body II.....	26
Table 28.12 - Saddle - Handle.....	28
Table 28.13 - Rear body I.....	31
Table 28.14 - Rear body II.....	35
Table 28.15 - Rear body III.....	36
Table 28.16 - Dashboard.....	37
Table 28.17 - Handlebar.....	38
Table 28.18 - LH Controls.....	39
Table 28.19 - RH controls.....	40
Table 28.20 - Oil tank.....	42
Table 28.21 - Fuel tank I.....	43
Table 28.22 - Fuel tank II.....	44
Table 28.23 - Cooling system.....	45
Table 28.24 - Air box I.....	46
Table 28.25 - Air box II.....	47
Table 28.28 - Exhaust pipe.....	48
Table 28.29 - Front wheel.....	49
Table 28.30 - Front brake caliper.....	50
Table 28.31 - Rear wheel - disc brake.....	51
Table 28.32 - Front lights.....	54
Table 28.33 - Rear lights.....	55
Table 28.34 - Electrical system I.....	57
Table 28.35 - Electrical system II.....	59
Table 28.36 - Lock hardware kit.....	60
Table 28.37 - Plate set and handbook.....	61
Table 28.38 - Decal.....	62
Table 28.54 - Decalco post.....	70
ENGINE.....	76
Table 29.26 - Engine I.....	76
Table 29.27 - Engine II.....	77

---

Table 29.39 - Crank-case.....	78
Table 29.40 - Drive shaft.....	79
Table 29.41 - Cylinder with piston.....	80
Table 29.42 - Cylinder head/Throttle body.....	81
Table 29.43 - Cylinder head/Carburettor.....	82
Table 29.44 - Injection unit.....	85
Table 29.45 - Transmission cover.....	86
Table 29.46 - Variator.....	87
Table 29.47 - Clutch.....	89
Table 29.48 - Transmission final drive.....	90
Table 29.49 - Flywheel.....	91
Table 29.50 - Starter motor.....	92
Table 29.51 - Oil pump.....	93
Table 29.52 - Water pump.....	94
Table 29.53 - Secondary air.....	95
ACCESSORIES.....	96
Table 30.54 - Acc. - Windshields.....	96
Table 30.55 - Acc. - Top/cases, side cases.....	97
Table 30.56 - Acc. - Various.....	98
Table 30.57 - Acc. - Mechanics anti-theft.....	99

## Finished products

Code	Validity
AP6211006JC800	
AP6211006JC810	
AP6211006JC811	
AP6211006JC814	
AP6211200DE401	
AP6211200DE402	
AP6211200EA900	
AP6211200EA916	
AP6211200EB900	
AP6211200EB916	
AP6211200EC900	
AP6211200EC916	
AP6211200IT402	
AP6211204JB401	
AP6211204JB608	
AP6211204JB709	
AP6211204JJ401	
AP6211204JJ608	
AP6211204JP401	
AP6211204JP402	
AP6211204JP608	

Code	No. table	Pos.	Code	No. table	Pos.	Code	No. table	Pos.
0000000	28.32	8	288865	29.43	20	482942	29.43	10
0000000	28.34	20	288872	29.43	25	482988	29.42	2
0000000	28.34	21	288873	29.43	27	482988	29.43	2
0000000	28.35	17	288881	29.43	31	483395	29.43	37
0000000	28.35	18	289005	29.49	2	483395	29.44	1
000267	29.49	10	289254	29.52	1	483443	29.47	10
000397	29.52	12	289262	29.51	3	483537	29.45	12
006416	29.45	18	289495	29.45	11	483859	29.45	8
006624	29.47	3	289514	29.44	19	484260	29.43	35
006647	29.39	15	289519	29.46	13	484704	29.43	13
012789	28.31	22	289519	29.47	2	486081	29.39	10
012789	28.31	22	289553	29.52	6	486942	29.53	8
015585	29.49	7	289554	29.52	7	486943	29.53	7
015585	29.51	7	289575	29.43	23	487392	29.52	8
015597	29.44	5	289840	29.47	9	4874805	29.48	1
015597	29.49	8	289903	29.43	28	4874845	29.48	2
015597	29.53	1	289931	29.46	3	4874845	29.48	2
015715	29.49	7	289933	29.47	15	487730	29.52	4
015856	29.40	7	289950	29.47	8	4878020001	29.41	6
015856	29.49	3	289952	29.47	4	4878020001	29.41	6
015856	29.51	6	289955	29.47	14	4878020002	29.41	6
018644	29.50	4	414834	29.48	6	4878020002	29.41	6
020006	29.39	3	414835	29.39	9	4878020003	29.41	6
020008	29.39	6	414837	29.45	16	4878020003	29.41	6
020106	29.51	2	414837	29.50	1	4878020004	29.41	6
063435	29.43	40	414838	29.45	5	4878020004	29.41	6
063435	29.44	4	430045	29.43	39	487935	29.47	12
085285	29.43	32	430045	29.44	3	488139	29.52	13
113903	29.43	30	431125	29.40	1	497338	29.41	8
129953	28.33	11	431125	29.40	1	497339	29.39	21
146197	29.51	9	431654	29.43	9	497406	29.52	5
152608	29.43	33	431860	29.39	12	498337	29.39	21
159347	28.31	16	431860	29.45	3	498470	29.41	8
194423	28.31	23	432456	29.43	14	500501	29.40	3
194423	28.31	23	433361	29.42	5	500502	29.40	3
239382	29.39	2	433880	29.44	12	500503	29.40	3
239388	29.39	13	433987	29.45	17	500504	29.40	3
239388	29.45	7	434735	29.39	16	563728	28.31	12
239388	29.48	3	4352035	29.39	11	563728	28.31	12
239397	29.41	5	435363	29.48	4	58062R	29.49	1
239404	29.41	2	436864	29.46	10	58090R	28.34	5
239455	29.41	3	438031	29.43	42	58095R	28.35	1
254485	28.01	6	438074	29.44	8	58096R	28.35	10
254485	28.09	4	463872	29.45	4	58115R	28.35	14
254485	29.26	18	478028	29.47	11	58136R	29.49	1
256756	29.43	38	478197	29.48	11	584525	29.49	12
256756	29.44	11	478498	29.39	14	584526	29.49	9
265300	29.46	14	478533	29.53	10	584573	29.43	41
266625	29.39	8	479495	29.46	1	584810	28.34	18
266773	29.39	10	4795526	29.47	5	584810	28.35	12
267823	29.39	7	479561	29.46	9	598839	28.01	7
269755	29.52	11	4795935	29.48	7	598839	28.09	9
278940	28.02	6	479866	29.46	12	598839	28.23	14
286158	29.46	2	480066	29.48	5	598839	28.34	3
286162	29.51	4	4802185	29.48	9	598839	28.35	3
286163	29.51	5	4802185	29.48	9	598839	29.26	17
286209	29.45	2	480227	29.46	4	624522	28.22	17
286214	29.45	14	480230	29.46	6	638610	29.49	12
286217	29.45	15	480953	29.48	8	638611	29.49	9
287021	29.51	1	482314	29.40	5	825185	29.41	6
288245	29.42	8	482315	29.40	2	82521R	29.45	6
288245	29.43	6	482404	29.26	10	82530R	29.50	2
288289	29.42	1	482404	29.27	10	82531R	29.50	3
288289	29.43	1	482432	29.26	12	825416	29.41	4
288639	29.48	10	482432	29.27	12	825865	29.42	9
288862	29.43	22	482766	29.47	6	825865	29.43	7
288863	29.43	34	482916	29.43	26	82605R	29.51	8

Code	No. table	Pos.	Code	No. table	Pos.	Code	No. table	Pos.
82632R	29.51	8	856230	28.28	2	890030	28.38	2
826490	29.43	5	856325	28.21	1	890031	28.38	3
8269405	29.40	4	856328	28.28	2	890032	28.38	4
826949	29.40	8	856491	28.54	21	890033	28.38	5
826972	29.49	5	856691	28.34	1	890034	28.38	6
827085	29.52	10	856692	28.34	1	890035	28.38	7
827208	29.53	2	859841	28.36	17	890036	28.38	8
827209	29.53	6	859844	28.38	14	890037	28.38	9
827301	29.41	1	859845	28.38	2	890038	28.38	18
827303	29.41	1	859846	28.38	3	890039	28.38	19
827517	29.49	5	859847	28.38	8	890040	28.54	1
82758R	29.53	4	859848	28.38	9	890041	28.54	2
827685	29.49	6	859849	28.54	1	890044	28.54	3
827685	29.52	3	859851	28.54	3	890045	28.54	4
82768R	29.40	10	859852	28.54	4	890046	28.54	5
827712	29.49	4	859853	28.54	5	890047	28.54	6
82775R	29.42	3	859854	28.54	6	890622	28.16	1
827853	29.41	4	859856	28.38	2	890623	28.16	1
827854	29.41	4	859857	28.38	3	893538	28.38	16
827893	29.47	7	859858	28.38	8	893539	28.38	17
828074	29.43	21	859859	28.38	9	893540	28.38	6
82827R	29.43	3	859860	28.54	2	893541	28.38	7
8284535	29.45	1	859860	28.54	3	893542	28.38	16
829376	29.39	4	859861	28.54	4	893543	28.38	17
829377	29.39	5	859862	28.38	2	893544	28.38	6
8294235	29.39	1	859863	28.38	3	893545	28.38	7
829483	29.44	10	859864	28.38	8	893546	28.38	16
829633	29.41	1	859865	28.38	9	893547	28.38	17
829703	29.42	6	859866	28.54	3	893548	28.38	6
829820	29.45	9	859867	28.54	4	893549	28.38	7
8298225	29.45	1	859868	28.38	2	893550	28.38	16
830004	29.52	2	859869	28.38	3	893551	28.38	17
830096	29.42	10	859870	28.38	8	893552	28.38	6
830202	29.42	11	859871	28.38	9	893553	28.38	7
830212	29.45	13	859872	28.54	3	895058	28.54	20
830433	29.44	17	859873	28.54	4	895059	28.54	20
830434	29.44	18	860109	28.19	1	896514	28.12	1
830487	29.42	7	860246	28.38	4	896515	28.12	2
830487	29.43	24	860247	28.38	5	96921R	29.50	2
830585	29.40	9	860248	28.38	6	96922R	29.50	3
830672	29.44	13	860249	28.38	7	AP8101573	28.22	9
830939	29.43	4	860250	28.38	4	AP8101743	28.20	6
831443	29.49	11	860251	28.38	5	AP8101944	28.20	9
831458	29.45	10	860252	28.38	6	AP8101944	28.21	4
8318594	29.53	9	860253	28.38	7	AP8101944	28.22	4
832130	29.52	9	860254	28.38	4	AP8102223	28.20	7
832262	29.44	2	860255	28.38	5	AP8102224	28.20	5
832925	29.52	2	860256	28.38	6	AP8102273	29.53	12
833598	29.41	7	860257	28.38	7	AP8102349	28.23	11
833598	29.41	7	860258	28.38	4	AP8102375	28.01	5
833708	29.43	8	860259	28.38	5	AP8102375	28.10	5
833740	29.53	11	860260	28.38	6	AP8102375	28.11	5
8338275	29.40	4	860261	28.38	7	AP8102375	28.13	9
833982	29.46	10	860272	28.38	14	AP8102375	28.15	12
834176	29.44	6	860273	28.54	5	AP8102375	28.20	11
8423145	29.26	1	860274	28.54	6	AP8102375	28.21	15
842626	29.42	4	860277	28.54	13	AP8102375	28.22	11
845611	29.46	11	860296	28.28	13	AP8102375	28.23	10
85186R	28.03	5	860539	28.38	11	AP8102375	28.24	10
852232	28.01	10	8740005	29.26	1	AP8102375	28.25	6
852350	28.54	21	8740975	29.26	1	AP8102375	28.33	13
852351	28.54	22	8740985	29.26	1	AP8102375	28.34	16
852751	28.06	7	8762945	29.26	1	AP8102381	28.06	9
8530325	28.01	1	890026	28.38	10	AP8102381	28.08	12
854933	28.21	16	890027	28.38	12	AP8102381	28.13	10
855799	28.35	6	890028	28.38	13	AP8102671	28.06	13
856062	28.21	10	890029	28.38	14	AP8102671	28.17	10

Code	No. table	Pos.	Code	No. table	Pos.	Code	No. table	Pos.
AP8102732	28.23	13	AP8125743	28.29	8	AP8150413	28.13	13
AP8102738	28.21	11	AP8125757	28.18	15	AP8150413	28.16	6
AP8102738	28.22	10	AP8125757	28.19	15	AP8150413	28.32	12
AP8102764	28.21	14	AP8125782	28.29	6	AP8150416	28.34	12
AP8102765	28.23	12	AP8127098	28.33	15	AP8150421	28.07	8
AP8102786	28.21	9	AP8127098	28.33	15	AP8150423	28.08	8
AP8102811	28.22	16	AP8127305	28.18	7	AP8150444	28.12	10
AP8102947	28.36	4	AP8127305	28.19	7	AP8150444	28.24	8
AP8104197	30.55	3	AP8127461	28.36	12	AP8150450	28.07	6
AP8104451	28.09	14	AP8127477	28.34	34	AP8150450	28.13	11
AP8104609	28.36	3	AP8127489	28.32	9	AP8150451	28.35	7
AP8104611	28.36	2	AP8127489	28.33	10	AP8150493	28.06	10
AP8104613	28.36	11	AP8128216	28.29	2	AP8150493	28.32	11
AP8104622	28.36	11	AP8128218	28.31	2	AP8150493	28.33	12
AP8112811	28.34	23	AP8133601	28.31	3	AP8150509	28.12	8
AP8112811	28.35	20	AP8133735	28.30	1	AP8150509	28.16	4
AP8112916	28.15	5	AP8134167	28.09	10	AP8150509	28.33	16
AP8113003	28.18	4	AP8134167	28.31	15	AP8150515	29.26	11
AP8113003	28.19	4	AP8134460	28.23	17	AP8150515	29.27	11
AP8113003	28.30	5	AP8144081	28.15	9	AP8152003	29.39	19
AP8113003	28.31	14	AP8144187	28.21	3	AP8152018	28.29	11
AP8113004	28.18	5	AP8144187	28.22	3	AP8152056	28.29	4
AP8113004	28.19	5	AP8144303	28.21	8	AP8152140	28.36	14
AP8113004	28.30	6	AP8144343	28.21	2	AP8152194	28.36	7
AP8113004	28.31	10	AP8144343	28.22	2	AP8152246	28.14	12
AP8113005	28.30	9	AP8144506	28.23	6	AP8152246	28.28	5
AP8113005	28.31	8	AP8144565	28.33	17	AP8152246	28.36	15
AP8113006	28.30	8	AP8144691	28.23	5	AP8152269	28.06	12
AP8113006	28.31	9	AP8144707	28.34	33	AP8152273	28.34	15
AP8113122	28.30	10	AP8149034	28.33	18	AP8152277	28.31	19
AP8113577	28.30	1	AP8150013	28.35	8	AP8152277	28.34	17
AP8113638	28.30	2	AP8150014	28.24	15	AP8152277	28.35	5
AP8113640	28.30	4	AP8150014	28.25	15	AP8152279	28.35	11
AP8113869	28.31	6	AP8150015	28.28	3	AP8152280	28.34	14
AP8113871	28.31	17	AP8150017	28.28	6	AP8152282	29.26	15
AP8117033	28.14	13	AP8150020	28.02	12	AP8152287	28.02	2
AP8117040	28.10	8	AP8150020	28.17	6	AP8152288	28.31	20
AP8117073	28.08	13	AP8150020	28.31	25	AP8152288	28.31	4
AP8118699	28.18	6	AP8150020	28.31	25	AP8152288	28.31	4
AP8118699	28.19	6	AP8150086	28.17	5	AP8152289	28.30	7
AP8120179	28.22	15	AP8150086	28.31	24	AP8152290	28.17	8
AP8120405	28.34	8	AP8150086	28.31	24	AP8152294	28.02	4
AP8120416	28.01	8	AP8150107	28.17	12	AP8152298	28.09	5
AP8120416	28.15	13	AP8150137	28.36	13	AP8152298	28.10	7
AP8120416	28.25	11	AP8150157	28.24	16	AP8152298	28.11	8
AP8120416	28.32	13	AP8150157	28.25	9	AP8152298	28.13	12
AP8120416	28.34	30	AP8150158	28.15	10	AP8152298	28.15	7
AP8120416	28.35	22	AP8150165	28.14	11	AP8152298	28.20	12
AP8120416	29.50	5	AP8150204	28.15	11	AP8152298	28.21	7
AP8120422	28.34	29	AP8150204	28.34	11	AP8152298	28.22	14
AP8120422	28.35	21	AP8150220	29.39	18	AP8152298	28.36	16
AP8120446	28.20	13	AP8150255	28.16	3	AP8152299	28.34	35
AP8120531	28.06	11	AP8150292	28.31	26	AP8152299	28.35	28
AP8120531	28.09	7	AP8150292	28.31	26	AP8152299	29.39	20
AP8120593	28.25	4	AP8150298	28.33	8	AP8152300	28.02	5
AP8120657	28.01	9	AP8150354	28.28	8	AP8152300	28.17	9
AP8120657	28.34	31	AP8150373	28.29	14	AP8152301	28.02	10
AP8120657	28.35	23	AP8150376	28.02	3	AP8152301	28.17	7
AP8120754	28.34	22	AP8150376	28.28	7	AP8152301	29.26	6
AP8120754	28.35	19	AP8150382	28.16	5	AP8152301	29.26	8
AP8120865	28.29	9	AP8150412	29.26	5	AP8152301	29.27	6
AP8120952	28.21	10	AP8150412	29.27	5	AP8152301	29.27	8
AP8120952	28.22	7	AP8150413	28.06	8	AP8152302	28.15	8
AP8121679	28.14	10	AP8150413	28.07	7	AP8152302	28.23	15
AP8121811	29.26	16	AP8150413	28.08	9	AP8152306	28.14	6
AP8121984	28.24	13	AP8150413	28.09	13	AP8152306	28.15	14
AP8121984	28.25	10	AP8150413	28.12	9	AP8152306	28.33	21

Code	No. table	Pos.	Code	No. table	Pos.	Code	No. table	Pos.
AP8152306	28.33	21	AP8179908	28.13	1	AP8213548	28.31	11
AP8152306	28.35	27	AP8179909	28.13	2	AP8213549	28.18	8
AP8152318	29.26	3	AP8179910	28.11	1	AP8213557	28.31	7
AP8152318	29.27	3	AP8201225	28.20	8	AP8213558	28.19	8
AP8152329	28.24	9	AP8201457	28.37	1	AP8213559	28.18	8
AP8152329	28.25	5	AP8201534	28.08	7	AP8213571	28.30	2
AP8152341	28.09	8	AP8201546	28.29	7	AP8213572	28.30	3
AP8152351	28.07	9	AP8201546	28.31	5	AP8213573	28.30	4
AP8152351	28.08	11	AP8201620	28.36	8	AP8213574	28.30	8
AP8152351	28.09	12	AP8201643	28.14	8	AP8213574	28.31	9
AP8152351	28.10	6	AP8201748	28.36	9	AP8213575	28.30	9
AP8152351	28.11	6	AP8201749	28.36	10	AP8213575	28.31	8
AP8152410	29.26	7	AP8201824	28.22	8	AP8213576	28.30	10
AP8152410	29.27	7	AP8202302	28.25	3	AP8213577	28.31	6
AP8152477	28.17	11	AP8202367	29.44	22	AP8213578	28.31	17
AP8152504	28.31	4	AP8202394	28.17	2	AP8213579	28.31	18
AP8152504	28.31	4	AP8202395	28.17	3	AP8213580	28.18	2
AP8166478	28.54	19	AP8202397	28.37	3	AP8213581	28.19	2
AP8166915	28.38	2	AP8202402	28.21	12	AP8213582	28.18	3
AP8166916	28.38	3	AP8202403	28.29	15	AP8213582	28.19	3
AP8166917	28.38	4	AP8202406	28.23	3	AP8213583	28.18	14
AP8166918	28.38	5	AP8202419	28.36	17	AP8213583	28.19	14
AP8166919	28.38	6	AP8202432	28.01	10	AP8213584	28.18	15
AP8166920	28.38	7	AP8202439	28.37	3	AP8213584	28.19	15
AP8166921	28.38	8	AP8202441	28.37	3	AP8213585	28.18	16
AP8166922	28.38	9	AP8202442	28.37	3	AP8213585	28.19	16
AP8166923	28.54	3	AP8202443	28.24	7	AP8213593	28.18	12
AP8166924	28.54	4	AP8202444	28.24	12	AP8213595	28.18	13
AP8166925	28.54	5	AP8202444	28.25	17	AP8213598	28.19	13
AP8166926	28.54	6	AP8202449	28.07	10	AP8213600	28.19	12
AP8166927	28.54	7	AP8202449	28.08	10	AP8213601	28.18	10
AP8166928	28.54	8	AP8202449	28.09	6	AP8213602	28.19	10
AP8166929	28.54	13	AP8202449	28.11	7	AP8214238	28.36	5
AP8166930	28.38	2	AP8203762	28.03	4	AP8214239	28.19	17
AP8166931	28.38	3	AP8206915	29.43	42	AP8214241	28.19	17
AP8166932	28.38	4	AP8208708	28.29	2	AP8217040	28.01	11
AP8166933	28.38	5	AP8208906	28.31	2	AP8218638	28.17	1
AP8166934	28.38	6	AP8208907	28.31	13	AP8218639	28.19	18
AP8166935	28.38	7	AP8208922	28.29	2	AP8219452	28.28	1
AP8166936	28.38	8	AP8208922	28.29	2	AP8219530	28.28	10
AP8166937	28.38	9	AP8208923	28.31	2	AP8219531	28.28	11
AP8166938	28.54	3	AP8208923	28.31	2	AP8219532	28.28	12
AP8166939	28.54	4	AP8208942	28.31	29	AP8219580	28.28	2
AP8166940	28.54	5	AP8208942	28.31	29	AP8219589	28.28	2
AP8166941	28.54	6	AP8208947	28.29	2	AP8219605	28.28	13
AP8166942	28.54	7	AP8208949	28.31	29	AP8219612	28.28	14
AP8166943	28.54	8	AP8209085	28.29	1	AP8220104	28.24	11
AP8166944	28.54	13	AP8209085	28.31	1	AP8220104	28.25	13
AP8166945	28.38	2	AP8212588	28.34	32	AP8220150	28.16	2
AP8166946	28.38	3	AP8212611	28.34	2	AP8220238	28.34	10
AP8166947	28.38	4	AP8212611	28.35	2	AP8220263	28.21	5
AP8166948	28.38	5	AP8213227	28.30	3	AP8220263	28.22	13
AP8166949	28.38	6	AP8213231	28.29	3	AP8220263	28.22	5
AP8166950	28.38	7	AP8213298	28.18	16	AP8220283	28.34	27
AP8166951	28.38	8	AP8213298	28.19	16	AP8220346	28.02	11
AP8166952	28.38	9	AP8213299	28.18	3	AP8220349	28.12	7
AP8166953	28.54	3	AP8213299	28.19	3	AP8220399	28.02	7
AP8166954	28.54	4	AP8213382	28.18	2	AP8220402	28.20	10
AP8166955	28.54	5	AP8213400	28.18	14	AP8220402	28.20	10
AP8166956	28.54	6	AP8213400	28.19	14	AP8220402	28.22	12
AP8179839	28.11	1	AP8213455	28.18	11	AP8220421	28.20	2
AP8179839	28.11	1	AP8213455	28.19	11	AP8220546	28.34	25
AP8179839	28.11	1	AP8213457	28.31	18	AP8220546	28.35	15
AP8179903	28.08	2	AP8213522	28.31	7	AP8220587	28.25	2
AP8179904	28.08	1	AP8213546	28.19	9	AP8220592	28.14	3
AP8179906	28.07	1	AP8213547	28.19	8	AP8220592	28.35	24
AP8179907	28.07	5	AP8213548	28.18	9	AP8220605	28.24	14

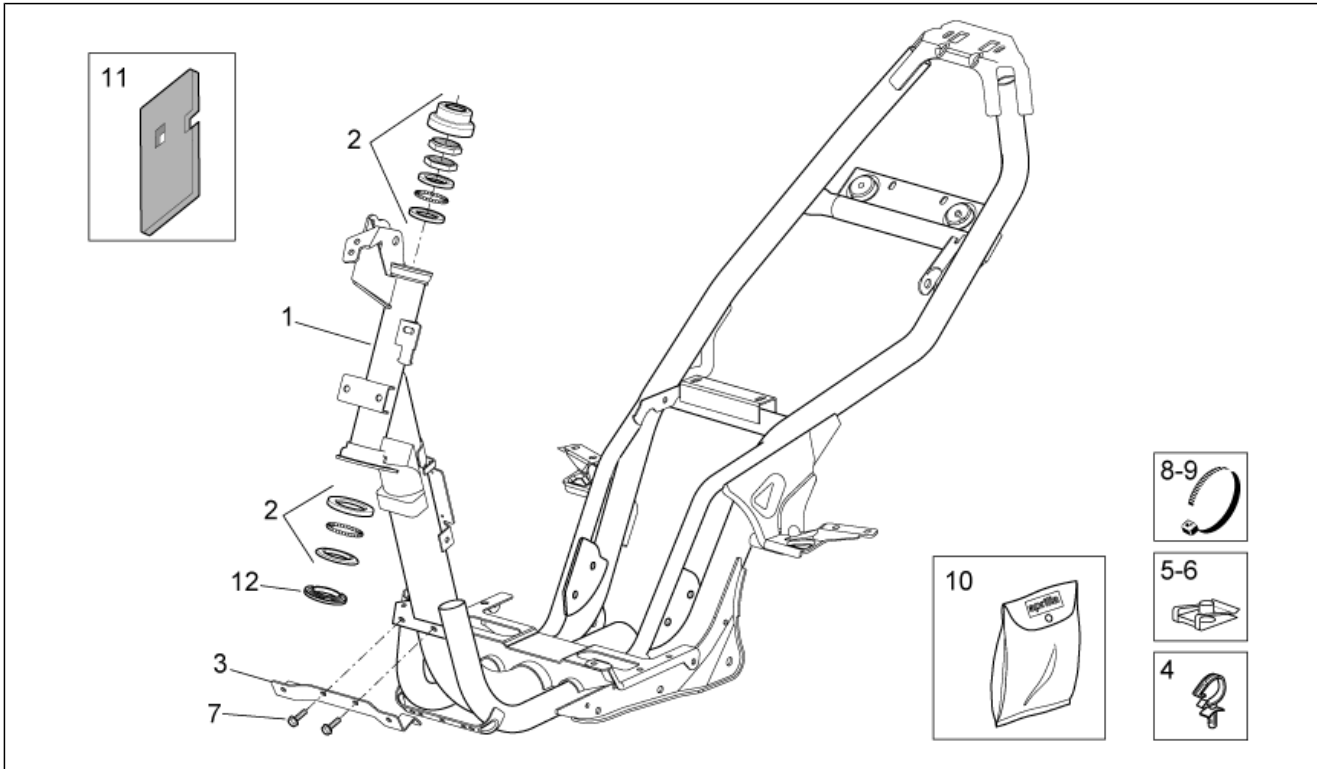


Code	No. table	Pos.	Code	No. table	Pos.	Code	No. table	Pos.
AP8220605	28.25	18	AP8224621	28.35	13	AP8234195	28.35	26
AP8220608	28.25	14	AP8224623	28.09	11	AP8234213	29.39	17
AP8220647	28.25	19	AP8224624	28.33	7	AP8234218	28.23	16
AP8220664	28.23	8	AP8224635	28.34	1	AP8234218	28.23	9
AP8220665	28.23	7	AP8224638	28.19	1	AP8234232	28.23	4
AP8220668	28.23	7	AP8224639	28.18	1	AP8234233	28.01	3
AP8220702	28.21	17	AP8224644	28.20	3	AP8234234	28.34	7
AP8220704	29.26	2	AP8224646	28.32	1	AP8234234	28.35	4
AP8220704	29.27	2	AP8224646	28.32	1	AP8235150	28.02	1
AP8220705	29.26	14	AP8224652	28.36	1	AP8235151	28.02	8
AP8220706	28.24	5	AP8224653	28.36	1	AP8235164	28.02	8
AP8220707	28.24	6	AP8224654	29.44	20	AP8249298	28.25	7
AP8220708	28.20	4	AP8224655	28.33	14	AP8249299	28.25	8
AP8220710	28.01	12	AP8224655	28.33	14	AP8249582	28.25	1
AP8220712	28.25	16	AP8224656	28.32	6	AP8258241	28.25	12
AP8221036	28.34	9	AP8224657	28.32	7	AP8258253	28.33	19
AP8221119	28.29	10	AP8224658	28.33	2	AP8268026	29.26	13
AP8221218	28.15	6	AP8224659	28.32	4	AP8268027	28.24	17
AP8221297	28.28	4	AP8224660	28.32	5	AP8268036	28.21	1
AP8221310	28.01	4	AP8224661	28.33	6	AP8268037	28.20	1
AP8221312	28.36	6	AP8224662	28.33	5	AP8268041	28.14	1
AP8221321	28.14	7	AP8224664	28.21	6	AP8268042	28.15	2
AP8221329	28.31	12	AP8224664	28.22	6	AP8268043	28.06	6
AP8221329	28.31	12	AP8224665	28.34	24	AP8268044	28.06	1
AP8221344	28.28	9	AP8224666	28.32	10	AP8268044	28.06	1
AP8221347	29.26	9	AP8225123	28.29	5	AP8268046	28.10	3
AP8221347	29.27	9	AP8225271	28.29	12	AP8268048	28.08	4
AP8221348	28.02	9	AP8225319	28.31	27	AP8268049	28.13	1
AP8223004	28.03	1	AP8225319	28.31	27	AP8268050	28.13	2
AP8223036	29.26	4	AP8225322	28.31	28	AP8268051	28.08	2
AP8223036	29.27	4	AP8225322	28.31	28	AP8268052	28.08	1
AP8223037	28.05	1	AP8225323	28.29	13	AP8268053	28.08	5
AP8223038	28.03	2	AP8225369	28.14	4	AP8268054	28.07	3
AP8223039	28.03	3	AP8225369	28.35	25	AP8268055	28.08	3
AP8223040	28.05	4	AP8225393	28.31	21	AP8268057	28.11	2
AP8223041	28.04	1	AP8226762	28.15	4	AP8268058	28.15	1
AP8223042	28.04	2	AP8226790	28.15	4	AP8268059	28.07	1
AP8223043	28.05	7	AP8226801	28.15	3	AP8268059	28.07	1
AP8223044	28.05	8	AP8226802	28.09	1	AP8268059	28.07	1
AP8223045	28.04	6	AP8226843	28.33	9	AP8268060	28.10	2
AP8223046	28.04	4	AP8229399	28.12	1	AP8268061	28.10	1
AP8223047	28.05	6	AP8229399	28.12	1	AP8268062	28.14	9
AP8223048	28.05	5	AP8229399	28.12	1	AP8268063	28.11	3
AP8223049	28.04	3	AP8229399	28.12	1	AP8268064	28.11	4
AP8223050	28.04	5	AP8229399	28.12	1	AP8268068	28.10	4
AP8223051	28.05	10	AP8229400	28.12	2	AP8268075	28.13	3
AP8223052	28.05	2	AP8229400	28.12	2	AP8268076	28.13	4
AP8223053	28.05	3	AP8229400	28.12	2	AP8268077	28.07	5
AP8223054	28.05	9	AP8229400	28.12	2	AP8268078	28.07	4
AP8223060	28.01	2	AP8229401	28.12	3	AP8268079	28.06	2
AP8224073	28.35	16	AP8229402	28.12	4	AP8268080	28.13	6
AP8224164	28.33	20	AP8229403	28.12	5	AP8268081	28.13	5
AP8224261	28.34	6	AP8229404	28.12	6	AP8268082	28.08	6
AP8224379	28.34	13	AP8229413	28.12	2	AP8268083	28.09	2
AP8224462	28.34	26	AP8229413	28.12	2	AP8268084	28.14	2
AP8224499	28.34	19	AP8229418	28.12	2	AP8268174	28.22	1
AP8224550	29.44	21	AP8229426	28.12	1	AP8268250	28.17	4
AP8224578	28.35	9	AP8229427	28.12	2	AP8268251	28.06	4
AP8224586	28.32	1	AP8229428	28.12	2	AP8268252	28.06	5
AP8224587	28.33	1	AP8229444	28.12	1	AP8268253	28.09	3
AP8224588	28.34	28	AP8229445	28.12	2	AP8268254	28.23	18
AP8224589	28.32	2	AP8229446	28.12	1	AP8268255	28.33	9
AP8224590	28.32	3	AP8229446	28.12	1	AP8268255	28.33	9
AP8224591	28.33	4	AP8229447	28.12	2	AP8268259	28.23	1
AP8224592	28.33	3	AP8229449	28.12	2	AP8268262	28.13	7
AP8224619	28.18	1	AP8234184	28.34	4	AP8268263	28.13	8
AP8224620	28.19	1	AP8234195	28.14	5	AP8268292	28.07	2

Code	No. table	Pos.	Code	No. table	Pos.	Code	No. table	Pos.
AP8268293	28.06	3	AP8268888	28.13	2	AP8277553	28.37	2
AP8268295	28.08	2	AP8268890	28.07	1	AP8277555	28.38	1
AP8268296	28.08	1	AP8268891	28.08	2	AP8277556	28.38	16
AP8268297	28.07	1	AP8268892	28.08	1	AP8277557	28.38	20
AP8268297	28.07	1	AP8268896	28.13	1	AP8277559	28.38	17
AP8268297	28.07	1	AP8268897	28.13	2	AP8277560	28.38	21
AP8268298	28.07	5	AP8268898	28.07	1	AP8277561	28.38	22
AP8268299	28.13	1	AP8268917	28.06	3	AP8277563	28.54	17
AP8268300	28.13	2	AP8268917	28.06	3	AP8277564	28.54	9
AP8268307	28.08	2	AP8268917	28.06	3	AP8277565	28.54	11
AP8268308	28.08	1	AP8268980	28.08	2	AP8277566	28.54	18
AP8268309	28.07	5	AP8268981	28.08	1	AP8277567	28.54	10
AP8268309	28.07	5	AP8268984	28.07	5	AP8277568	28.54	12
AP8268309	28.07	5	AP8268985	28.13	1	AP8277569	28.54	14
AP8268309	28.07	5	AP8268986	28.13	2	AP8277574	28.54	13
AP8268310	28.13	1	AP8268987	28.06	1	AP8277574	28.54	13
AP8268311	28.13	2	AP8268988	28.11	1	AP8277579	28.05	11
AP8268325	28.24	1	AP8268991	28.07	1	AP8277584	28.38	1
AP8268326	28.24	2	AP8269180	28.08	2	AP8277603	28.54	15
AP8268327	28.24	3	AP8269181	28.08	1	AP8277604	28.54	16
AP8268328	28.24	4	AP8269183	28.07	1	AP8277712	28.38	4
AP8268337	28.08	2	AP8269184	28.13	1	AP8277713	28.38	5
AP8268338	28.08	1	AP8269185	28.13	2	AP8277715	28.38	1
AP8268340	28.07	1	AP8269187	28.07	2	AP8277715	28.38	1
AP8268341	28.07	5	AP8269188	28.06	1	AP8277715	28.38	1
AP8268342	28.13	1	AP8269189	28.08	4	AP8277715	28.38	1
AP8268343	28.13	2	AP8269190	28.08	5	AP8277716	28.38	16
AP8268344	28.11	1	AP8269191	28.11	1	AP8277717	28.38	17
AP8268510	28.08	2	AP8276008	29.44	7	AP8277718	28.54	7
AP8268511	28.08	1	AP8276009	29.44	16	AP8277719	28.54	8
AP8268512	28.13	1	AP8276010	29.44	15	AP8277720	28.54	17
AP8268513	28.13	2	AP8276033	29.43	17	AP8277721	28.54	18
AP8268564	28.08	2	AP8276087	29.43	8	AP8277722	28.54	14
AP8268565	28.08	1	AP8277131	28.37	2	AP8277737	28.38	15
AP8268567	28.07	5	AP8277221	28.37	2	AP8550215	29.43	19
AP8268568	28.13	1	AP8277520	28.38	2	AP8570122	28.23	2
AP8268569	28.13	2	AP8277521	28.38	3	AP8590034	28.19	2
AP8268574	28.08	2	AP8277522	28.38	4	AP8590035	28.18	10
AP8268575	28.08	1	AP8277523	28.38	5	AP8590035	28.19	10
AP8268577	28.07	5	AP8277524	28.38	6	AP8590037	28.18	12
AP8268578	28.13	1	AP8277525	28.38	7	AP8590037	28.19	12
AP8268579	28.13	2	AP8277526	28.38	8	AP8590038	28.18	13
AP8268584	28.08	2	AP8277527	28.38	9	AP8590038	28.19	13
AP8268585	28.08	1	AP8277529	28.54	1	AP8700792	30.56	4
AP8268587	28.07	5	AP8277530	28.54	2	AP8700793	30.56	4
AP8268588	28.13	1	AP8277531	28.54	3	AP8700794	30.56	4
AP8268589	28.13	2	AP8277532	28.54	4	AP8720115	30.57	1
AP8268648	28.06	1	AP8277533	28.54	5	AP8720116	30.57	2
AP8268728	28.07	1	AP8277534	28.54	6	AP8720117	30.57	3
AP8268729	28.13	1	AP8277535	28.54	7	AP8720118	30.57	4
AP8268730	28.13	2	AP8277535	28.54	7	AP8791240	30.56	2
AP8268861	28.08	2	AP8277536	28.54	8	AP8791255	30.54	2
AP8268862	28.08	1	AP8277536	28.54	8	AP8791256	30.54	1
AP8268865	28.13	1	AP8277539	28.38	2	AP8791257	30.54	4
AP8268866	28.13	2	AP8277540	28.38	3	AP8791258	30.54	3
AP8268867	28.11	1	AP8277541	28.38	4	AP8792066	30.55	1
AP8268869	28.08	2	AP8277542	28.38	5	AP8792066	30.55	2
AP8268870	28.08	1	AP8277543	28.38	6	AP8792368	30.55	4
AP8268873	28.07	5	AP8277544	28.38	7	AP8795050	30.56	1
AP8268874	28.13	1	AP8277545	28.38	8	AP8797216	30.56	3
AP8268875	28.13	2	AP8277546	28.38	9	CM001905	29.53	3
AP8268879	28.07	1	AP8277547	28.54	3	CM001913	29.40	6
AP8268882	28.08	2	AP8277548	28.54	4	CM001913	29.44	14
AP8268883	28.08	1	AP8277549	28.54	5	CM002901	29.43	36
AP8268886	28.07	5	AP8277550	28.54	6	CM002901	29.44	9
AP8268887	28.13	1	AP8277551	28.54	7	CM002901	29.52	14
			AP8277552	28.54	8	CM100109	29.47	1

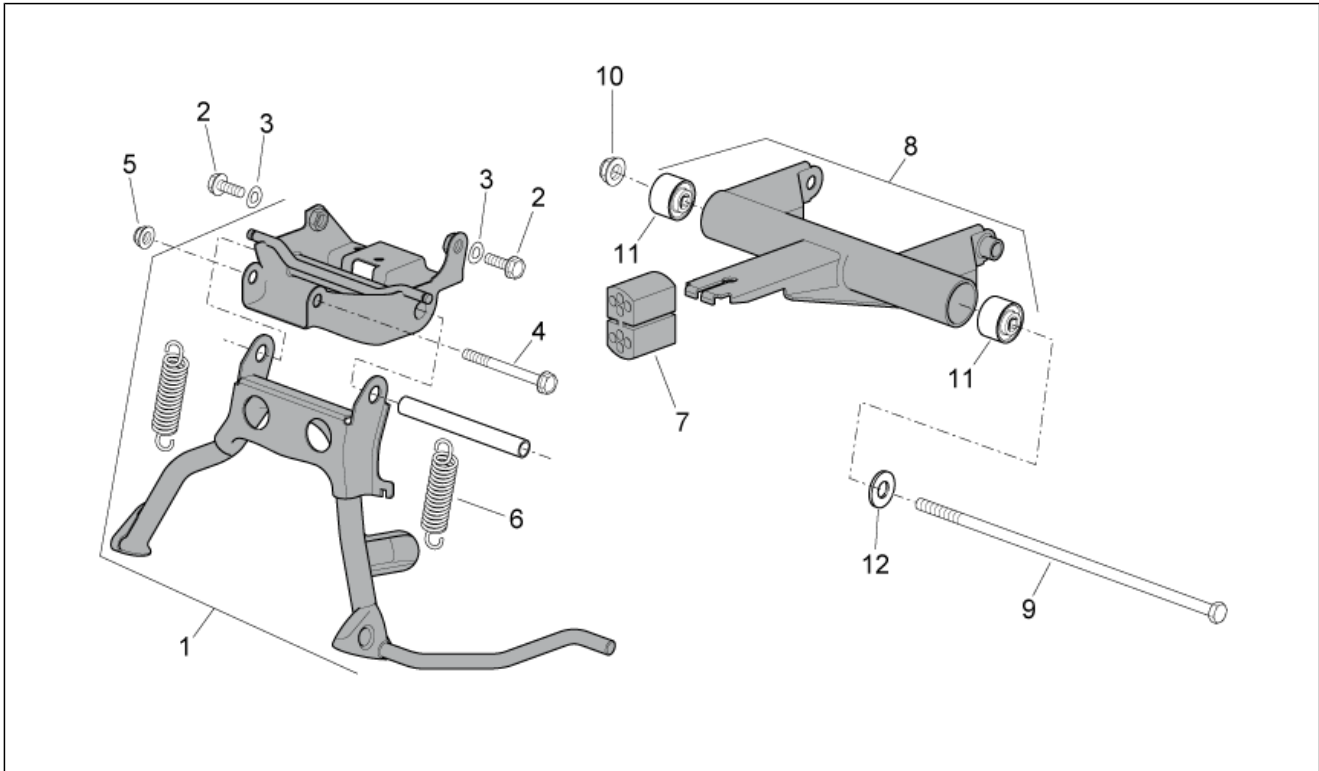
Code	No. table	Pos.
CM1002045	<a href="#">29.47</a>	13
CM100601	<a href="#">29.46</a>	8
CM100601	<a href="#">29.46</a>	8
CM100607	<a href="#">29.46</a>	8
CM100608	<a href="#">29.46</a>	8
CM100615	<a href="#">29.46</a>	8
CM100615	<a href="#">29.46</a>	8
CM100616	<a href="#">29.46</a>	8
CM101509	<a href="#">29.51</a>	10
CM101605	<a href="#">29.51</a>	11
CM101704	<a href="#">29.43</a>	11
CM101711	<a href="#">29.43</a>	11
CM101711	<a href="#">29.43</a>	11
CM102103	<a href="#">29.43</a>	12
CM105905	<a href="#">29.43</a>	16
CM106229	<a href="#">29.43</a>	43
CM107510	<a href="#">29.43</a>	17
CM107701	<a href="#">29.43</a>	29
CM1102025	<a href="#">29.46</a>	5
CM1102035	<a href="#">29.46</a>	5
CM110301	<a href="#">29.46</a>	7
CM110304	<a href="#">29.46</a>	7
CM1273235	<a href="#">29.39</a>	1
CM128501	<a href="#">29.43</a>	18
CM141710	<a href="#">29.43</a>	15
CM141711	<a href="#">29.43</a>	15
CM1439035	<a href="#">29.27</a>	1
CM223702	<a href="#">28.21</a>	13
CM223702	<a href="#">28.21</a>	18
CM223702	<a href="#">29.44</a>	23

<b>Group</b>	FRAME
<b>Code</b>	28.01
<b>Description</b>	Frame
<b>Service</b>	1



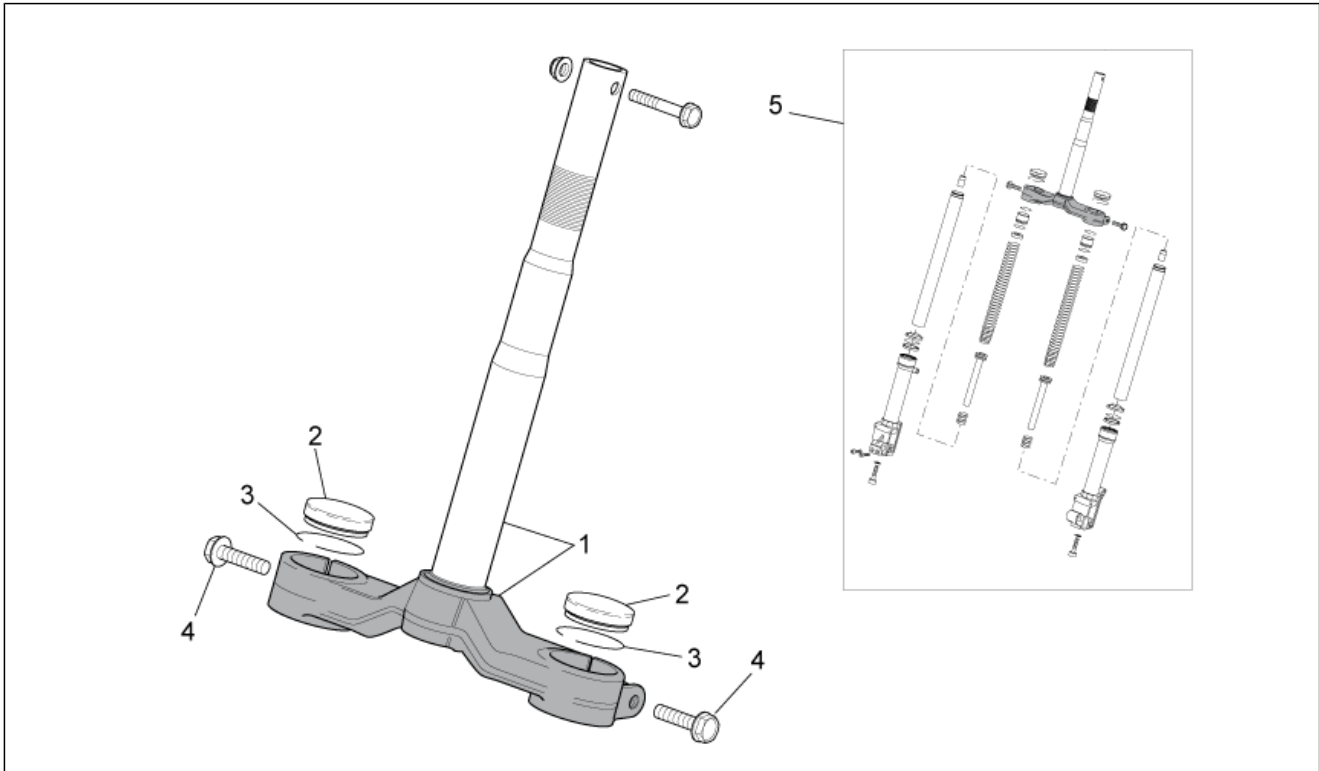
Pos.	Code	Description	Qty	Variants
1	8530325	Frame with electro-coating	1	
2	AP8223060	Ball ring set, complete	1	
3	AP8234233	Support	1	
4	AP8221310	Cable-guide	2	
5	AP8102375	Clip m5	5	
6	254485	Spring plate M6	8	
7	598839	Screw w/ flange	2	
8	AP8120416	Black hose 178x4	2	
9	AP8120657	Hose clamp	1	
10	852232	Toolkit	1	<b>Technical Specifications:</b> Carburetor Version (C364M)[carb]
10	AP8202432	Toolkit	1	<b>Technical Specifications:</b> Injection Version (C361M)[ie]
11	AP8217040	Die cut protection	1	
12	AP8220710	Low dust cover	1	

<b>Group</b>	FRAME
<b>Code</b>	28.02
<b>Description</b>	Central stand - Connecting rod
<b>Service</b>	1



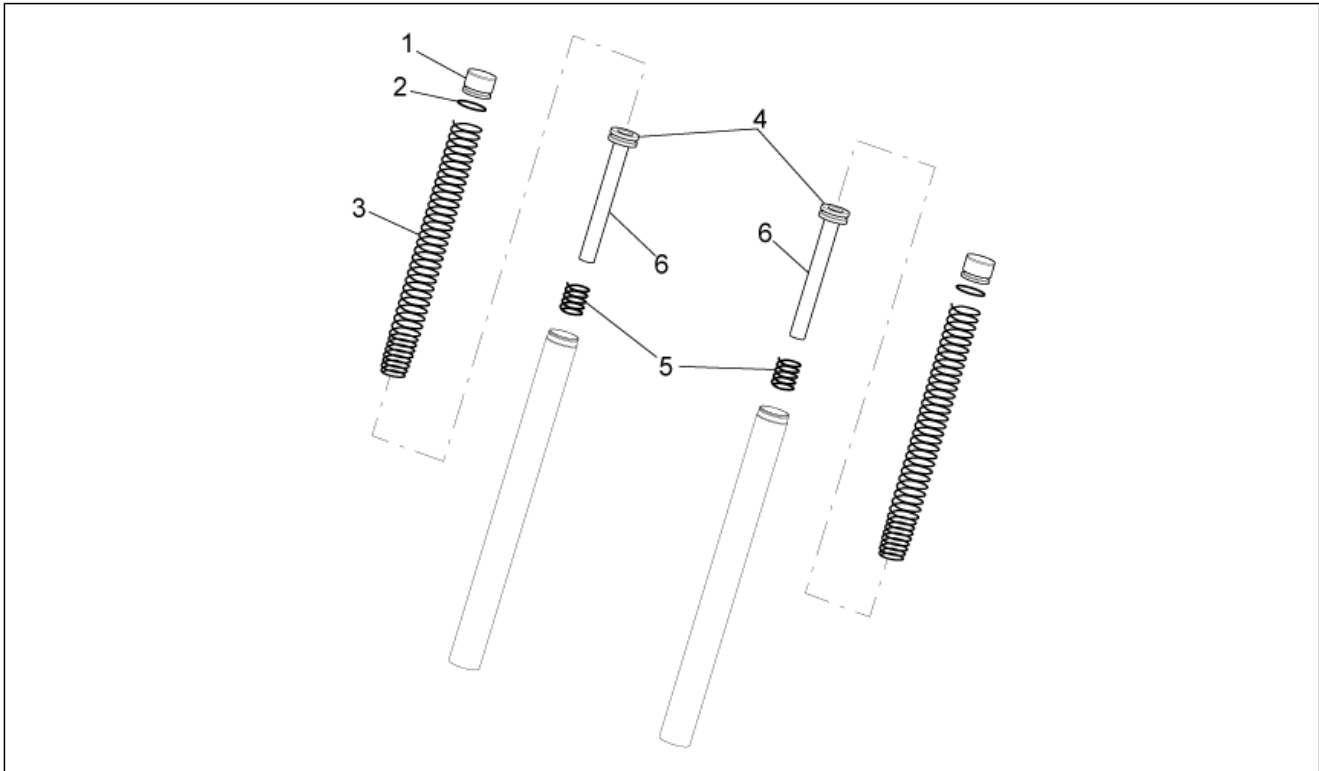
Pos.	Code	Description	Qty	Variants
1	AP8235150	Central stand	1	
2	AP8152287	Screw w/ flange M8x25	2	
3	AP8150376	Washer 8,5x15x0,8	2	
4	AP8152294	Screw w/ flange	1	
5	AP8152300	Self-locking nut M8	1	
6	278940	Spring	2	
7	AP8220399	Phase drift	1	
8	AP8235151	Engine connecting element	1	<b>Technical Specifications:</b> Injection Version (C361M)[ie]
8	AP8235164	Engine connecting element	1	<b>Technical Specifications:</b> Carburetor Version (C364M)[carb]
9	AP8221348	Pin	1	
10	AP8152301	Self-locking nut	1	
11	AP8220346	Silent-block	2	
12	AP8150020	Washer 10,5x21x2*	1	

<b>Group</b>	FRAME
<b>Code</b>	28.03
<b>Description</b>	Front fork I
<b>Service</b>	1



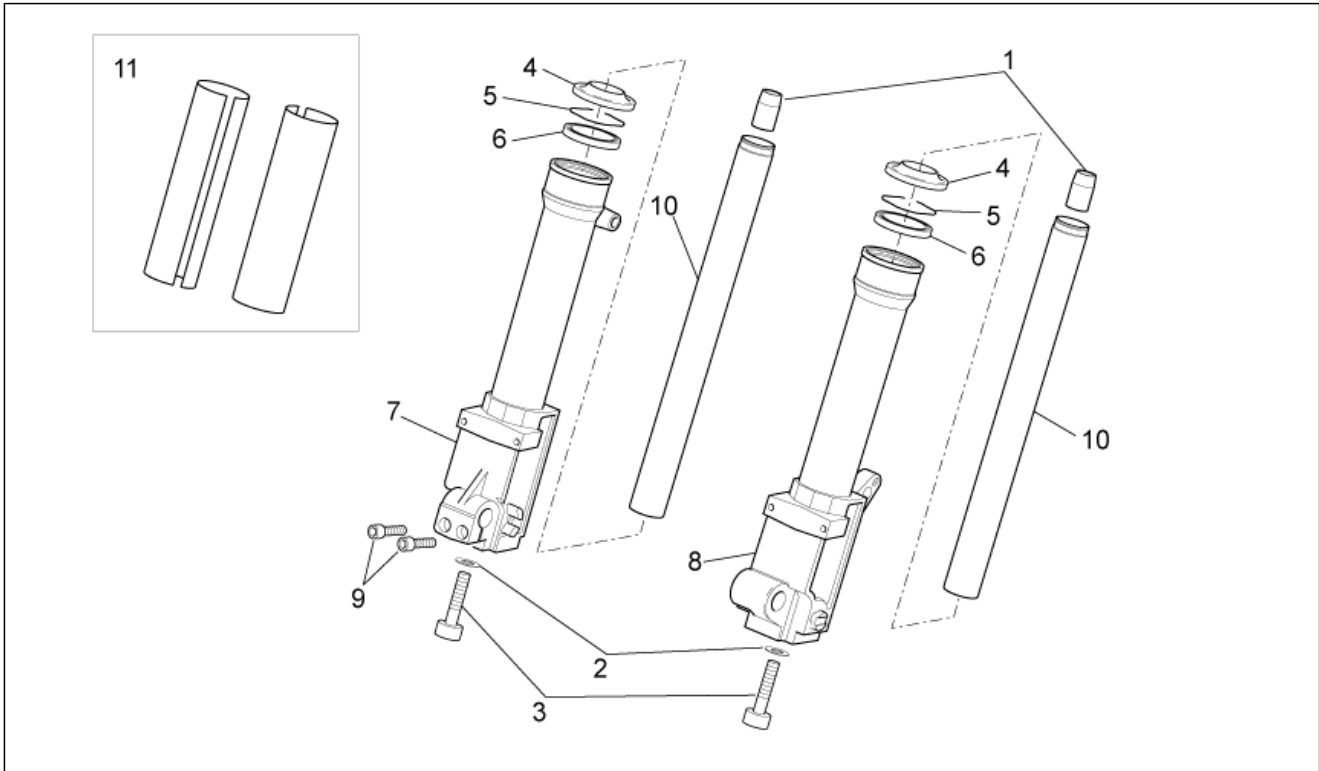
Pos.	Code	Description	Qty	Variants
1	AP8223004	Stem base	1	
2	AP8223038	Plug	2	<b>Technical Specifications:</b> Mark KAIFA[K]
3	AP8223039	Ring	2	<b>Technical Specifications:</b> Mark KAIFA[K]
4	AP8203762	screw M10x35	1	
5	85186R	Front fork	1	

<b>Group</b>	FRAME
<b>Code</b>	28.04
<b>Description</b>	Fork II
<b>Service</b>	1



Pos.	Code	Description	Qty	Variants
1	AP8223041	Cover	2	Technical Specifications:Mark KAIFA[K]
2	AP8223042	O-ring	2	Technical Specifications:Mark KAIFA[K]
3	AP8223049	Spring	2	Technical Specifications:Mark KAIFA[K]
4	AP8223046	Fork pump ring	1	Technical Specifications:Mark KAIFA[K]
5	AP8223050	Return spring	2	Technical Specifications:Mark KAIFA[K]
6	AP8223045	Plunger, complete	2	Technical Specifications:Mark KAIFA[K]

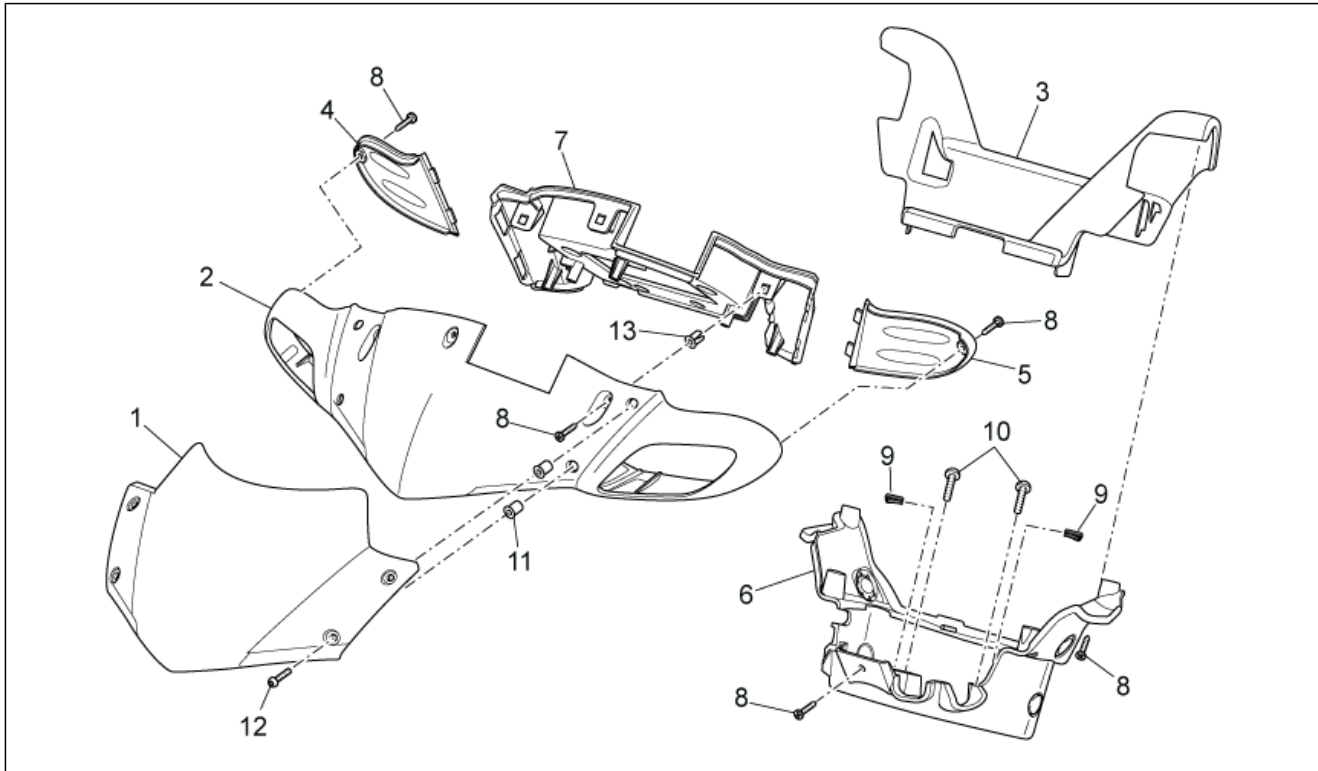
<b>Group</b>	FRAME
<b>Code</b>	28.05
<b>Description</b>	Front fork III
<b>Service</b>	1



Pos.	Code	Description	Qty	Variants
1	AP8223037	Stroke limit stop	2	Technical Specifications:Mark KAIFA[K]
2	AP8223052	Washer	2	Technical Specifications:Mark KAIFA[K]
3	AP8223053	screw	2	Technical Specifications:Mark KAIFA[K]
4	AP8223040	Dust cover	2	Technical Specifications:Mark KAIFA[K]
5	AP8223048	Stop ring	2	Technical Specifications:Mark KAIFA[K]
6	AP8223047	Oil seal	2	Technical Specifications:Mark KAIFA[K]
7	AP8223043	RH sleeve	1	Technical Specifications:Mark KAIFA[K]
8	AP8223044	LH sleeve	1	Technical Specifications:Mark KAIFA[K]
9	AP8223054	Hex socket screw M6x20	2	Technical Specifications:Mark KAIFA[K]
10	AP8223051	Sleeve cpl.	2	Technical Specifications:Mark KAIFA[K]
11	AP8277579	Front fork decal	2	

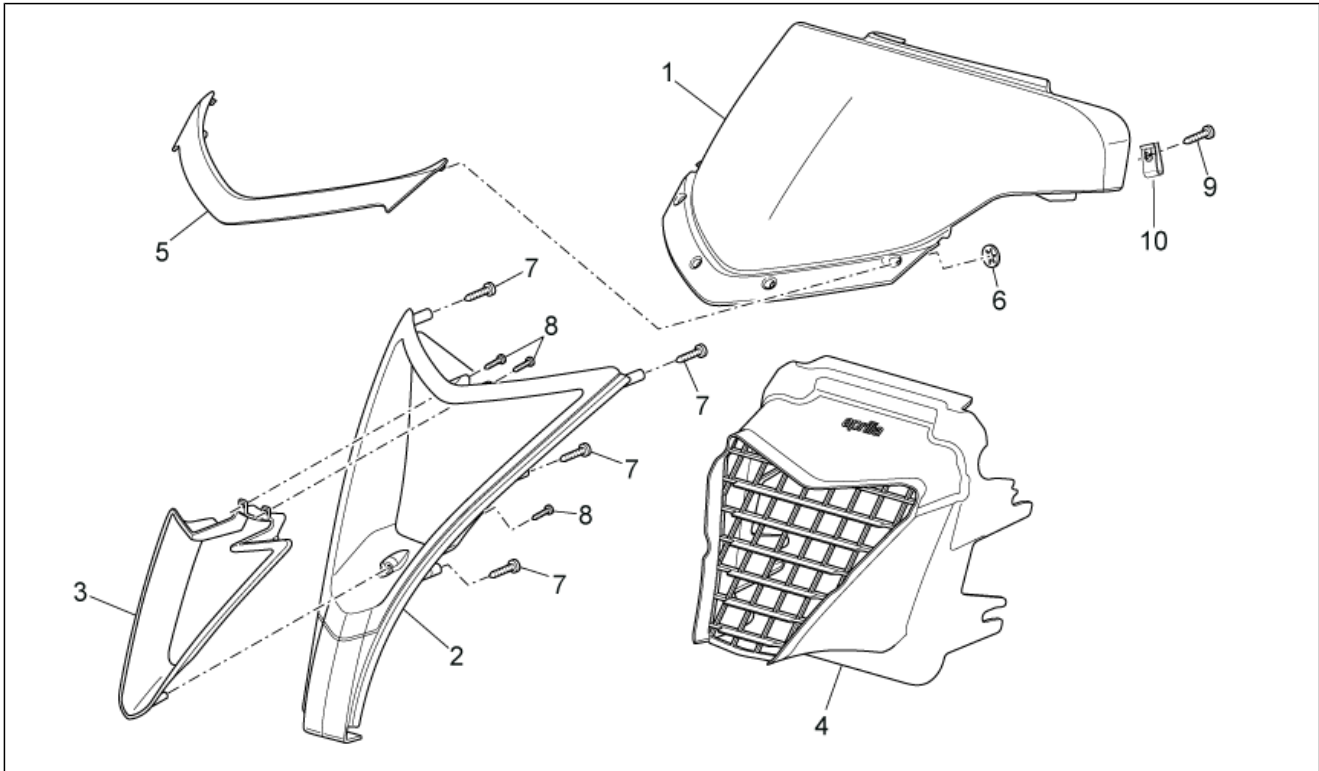


<b>Group</b>	FRAME
<b>Code</b>	28.06
<b>Description</b>	Front body I
<b>Service</b>	1



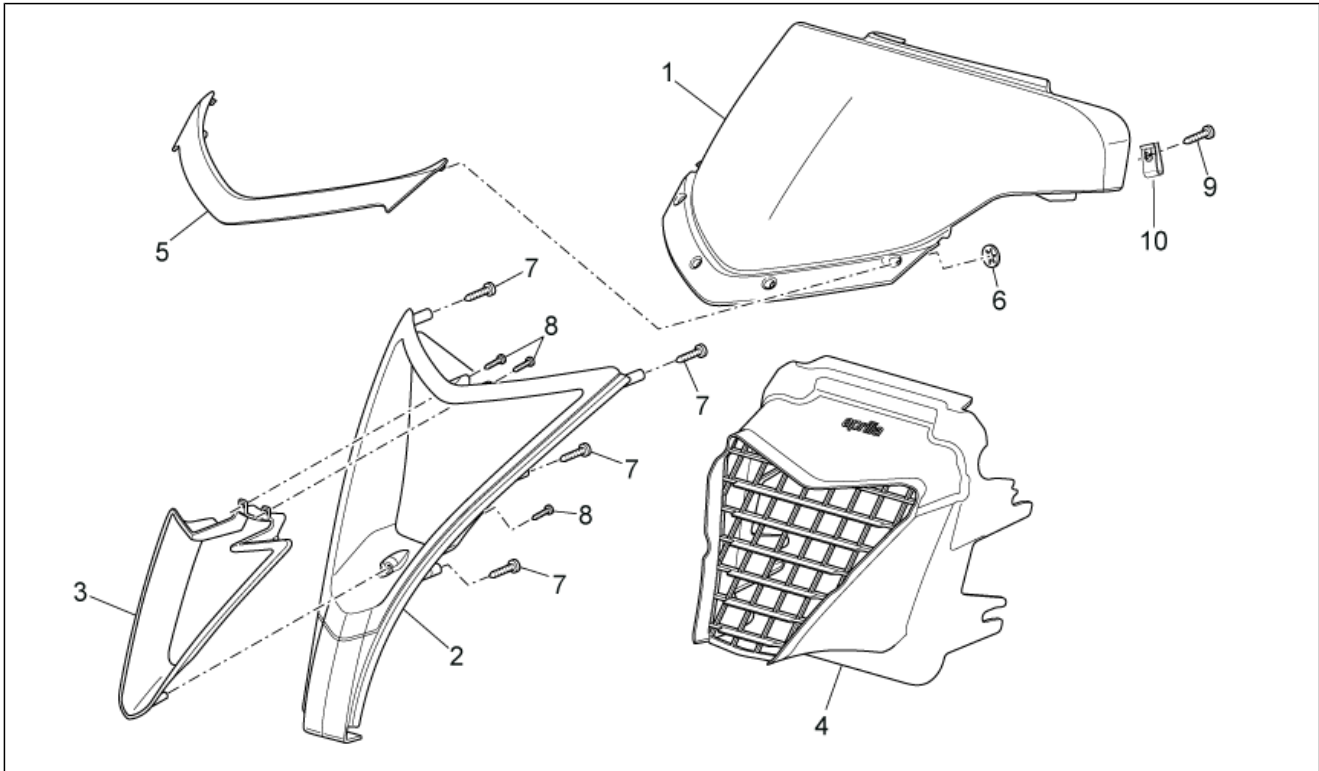
Pos.	Code	Description	Qty	Variants
1	AP8268044	Front fairing windshield,black	1	<b>Year:</b> 2008[8] <b>Vehicle colour:</b> Code Orange (s.t.858613)[cod], Silver Crowd (s.t.858612)[cro], Diablo Black (s.t.858611)[dia08], Aprilia White 2008 (s.t.858614)[white08]
1	AP8268044	Front fairing windshield,black	1	<b>Year:</b> 2004[4], 2005[5], 2006[6]
1	AP8268648	Front fairing windshield,black	1	<b>Year:</b> 2007[7], 2008[8]
1	AP8268987	Front fairing windshield,black	1	<b>Year:</b> 2008[8] <b>Vehicle colour:</b> Talmacsi (s.t.860954)[tal]
1	AP8269188	Front fairing windshield,black	1	<b>Year:</b> 2009[9] <b>Vehicle colour:</b> Superbike Replica (s.t.895057)[sbk]
2	AP8268079	Dashboard panel, grey	1	
3	AP8268293	Handlebar cover, black	1	<b>Year:</b> 2009[9] <b>Vehicle colour:</b> Superbike Replica (s.t.895057)[sbk]
3	AP8268917	Handlebar cover, black	1	
3	AP8268917	Handlebar cover, black	1	<b>Year:</b> 2008[8] <b>Vehicle colour:</b> Code Orange (s.t.858613)[cod], Silver Crowd (s.t.858612)[cro], Diablo Black (s.t.858611)[dia08], Spain's N°1 (S.T.856881)[spain8], Aprilia White 2008 (s.t.858614)[white08]
3	AP8268917	Handlebar cover, black	1	<b>Year:</b> 2008[8] <b>Vehicle colour:</b> Talmacsi (s.t.860954)[tal]
4	AP8268251	RH turn indicator, grey	1	
5	AP8268252	LH turn indicator, grey	1	
6	AP8268043	Under dash, black	1	
7	852751	Dashboard panel, grey	1	
8	AP8150413	Self-tap screw 3,9x14	12	
9	AP8102381	Clip M4	2	
10	AP8150493	Hex socket screw M4x16	2	
11	AP8120531	Rubber w/ insert	4	
12	AP8152269	Hex socket screw	4	
13	AP8102671	Plastic rivet	3	

<b>Group</b>	FRAME
<b>Code</b>	28.07
<b>Description</b>	Front body II
<b>Service</b>	1



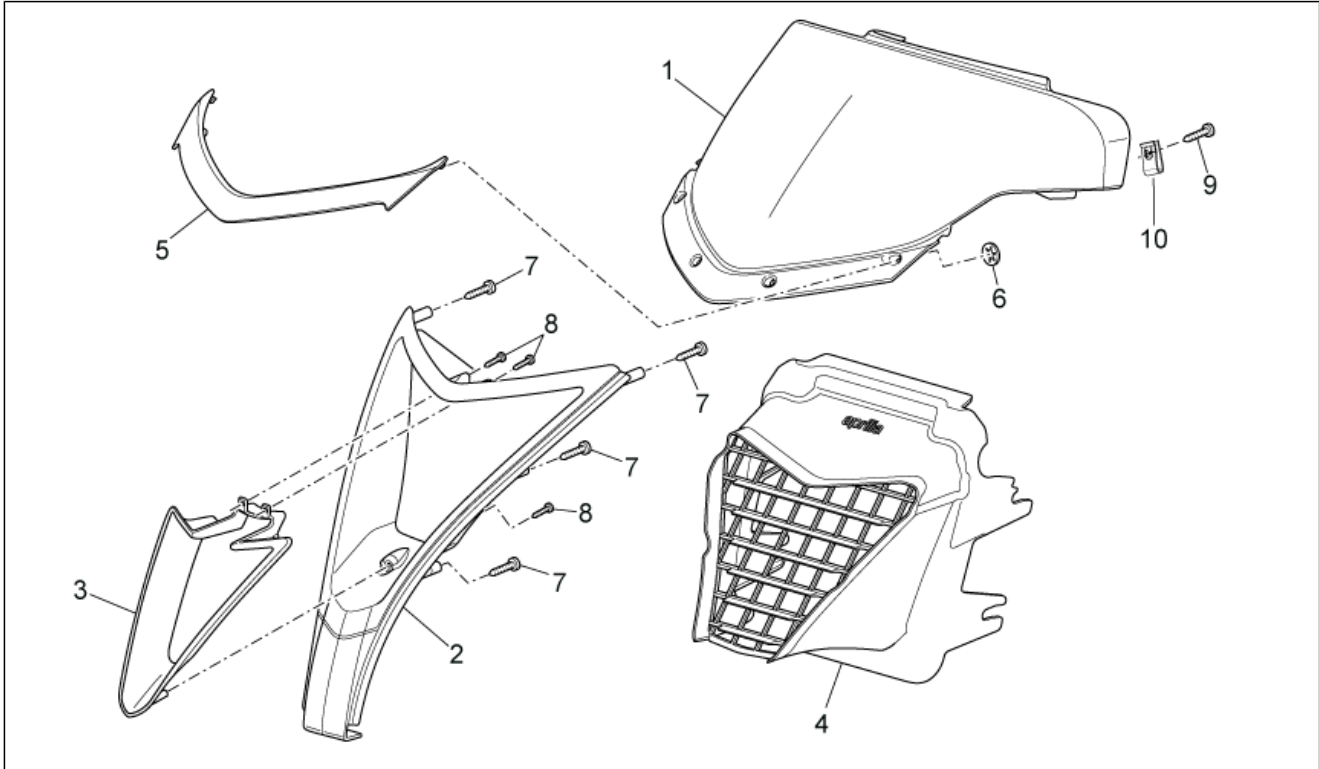
Pos.	Code	Description	Qty	Variants
1	AP8179906	Front fairing, red	1	Year:2007[7] Vehicle colour:Spain's number 1 (S.T.852261)[spain7]
1	AP8268059	Front fairing, black	1	Year:2006[6], 2007[7] Vehicle colour:Diablo Black (s.t.15189)[dia]
1	AP8268059	Front fairing, black	1	Year:2008[8] Vehicle colour:Diablo Black (s.t.858611)[dia08]
1	AP8268059	Front fairing, black	1	Year:2004[4] Vehicle colour:Aprilia Black (s.t.14707)[black]
1	AP8268297	Front fairing, black	1	Year:2007[7] Vehicle colour:Silver Mirror (s.t.15188)[sil], Lemon Yellow (s.t.15190)[yel] Country:United States of America[USA]
1	AP8268297	Front fairing, black	1	Year:2004[4] Vehicle colour:Speed Orange (s.t.14721)[orange], Aprilia White (s.t.14722)[white]
1	AP8268297	Front fairing, black	1	Year:2006[6] Vehicle colour:Replica White (s.t.15103)[repl.white], Silver Mirror (s.t.15188)[sil], Lemon Yellow (s.t.15190)[yel] Country:I-B-GR-D[EU]
1	AP8268340	Front fairing, blue	1	Year:2005[5] Vehicle colour:Spiderman (s.t.14792)[spider]
1	AP8268728	Front fairing, red	1	Year:2008[8] Vehicle colour:Spain's N°1 (S.T.856881)[spain8]
1	AP8268879	Front fairing, c.silver	1	Year:2008[8] Vehicle colour:Silver Crowd (s.t.858612)[cro]
1	AP8268890	Front fairing, c.orange	1	Year:2008[8] Vehicle colour:Code Orange (s.t.858613)[cod]
1	AP8268898	Front fairing, white	1	Year:2008[8] Vehicle colour:Aprilia White 2008 (s.t.858614)[white08]
1	AP8268991	Front fairing, green	1	Year:2008[8] Vehicle colour:Talmacci (s.t.860954)[tal]
1	AP8269183	Front fairing, white	1	Year:2009[9] Vehicle colour:Superbike Replica (s.t.895057)[sbk]

<b>Group</b>	FRAME
<b>Code</b>	28.07
<b>Description</b>	Front body II
<b>Service</b>	1



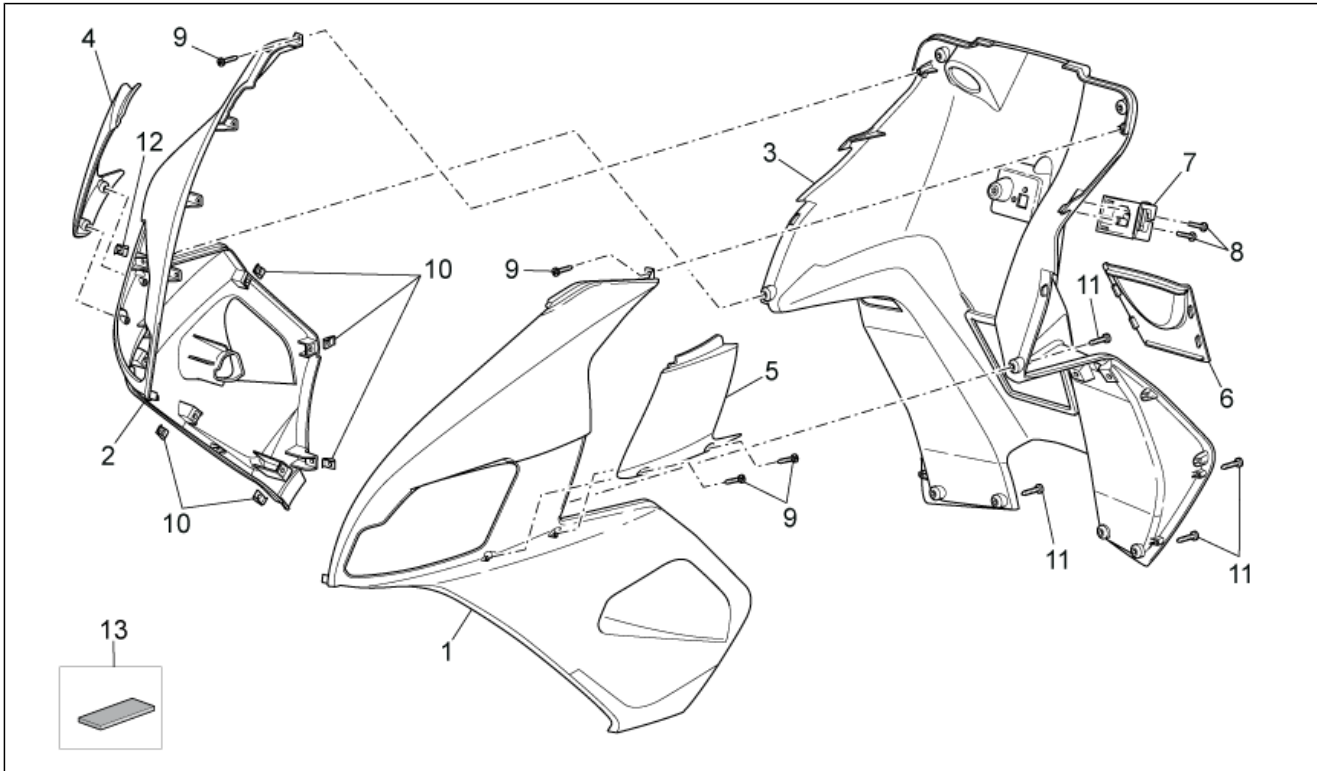
Pos.	Code	Description	Qty	Variants
				<b>Technical Specifications:</b> With decals applied[D]
2	AP8268292	Frame grille, black	1	
2	AP8269187	Lower Frame white	1	
3	AP8268054	Radiator grille, grey	1	
4	AP8268078	Air duct, black	1	
5	AP8179907	Guard v.rosso	1	Year:2007[7], 2008[8] Vehicle colour:Spain's number 1 (S.T.852261)[spain7], Spain's N°1 (S.T.856881)[spain8]
5	AP8268077	Guard, black	1	Year:2004[4] Vehicle colour:Aprilia Black (s.t.14707)[black]
5	AP8268298	Guard, black	1	Year:2004[4] Vehicle colour:Speed Orange (s.t.14721)[orange]
5	AP8268309	Guard, white	1	Year:2006[6] Vehicle colour:Replica White (s.t.15103)[repl.white]
5	AP8268309	Guard, white	1	Year:2009[9] Vehicle colour:Superbike Replica (s.t.895057)[sbk]
5	AP8268309	Guard, white	1	Year:2008[8] Vehicle colour:Aprilia White 2008 (s.t.858614)[white08]
5	AP8268309	Guard, white	1	Year:2004[4] Vehicle colour:Aprilia White (s.t.14722)[white]
5	AP8268341	Guard, blue	1	Year:2005[5] Vehicle colour:Spiderman (s.t.14792)[spider]
5	AP8268567	Guard, silver	1	Year:2006[6], 2007[7] Vehicle colour:Silver Mirror (s.t.15188)[sil]
5	AP8268577	Guard, black	1	Year:2008[8] Vehicle colour:Diablo Black (s.t.858611)[dia08]
5	AP8268577	Guard, black	1	Year:2006[6], 2007[7] Vehicle colour:Diablo Black (s.t.15189)[dia]
5	AP8268587	Guard, yellow	1	Year:2006[6], 2007[7] Vehicle colour:Lemon Yellow (s.t.15190)[yel]
5	AP8268873	Shield guard, silver	1	Year:2008[8] Vehicle colour:Silver Crowd (s.t.858612)[cro]

<b>Group</b>	FRAME
<b>Code</b>	28.07
<b>Description</b>	Front body II
<b>Service</b>	1



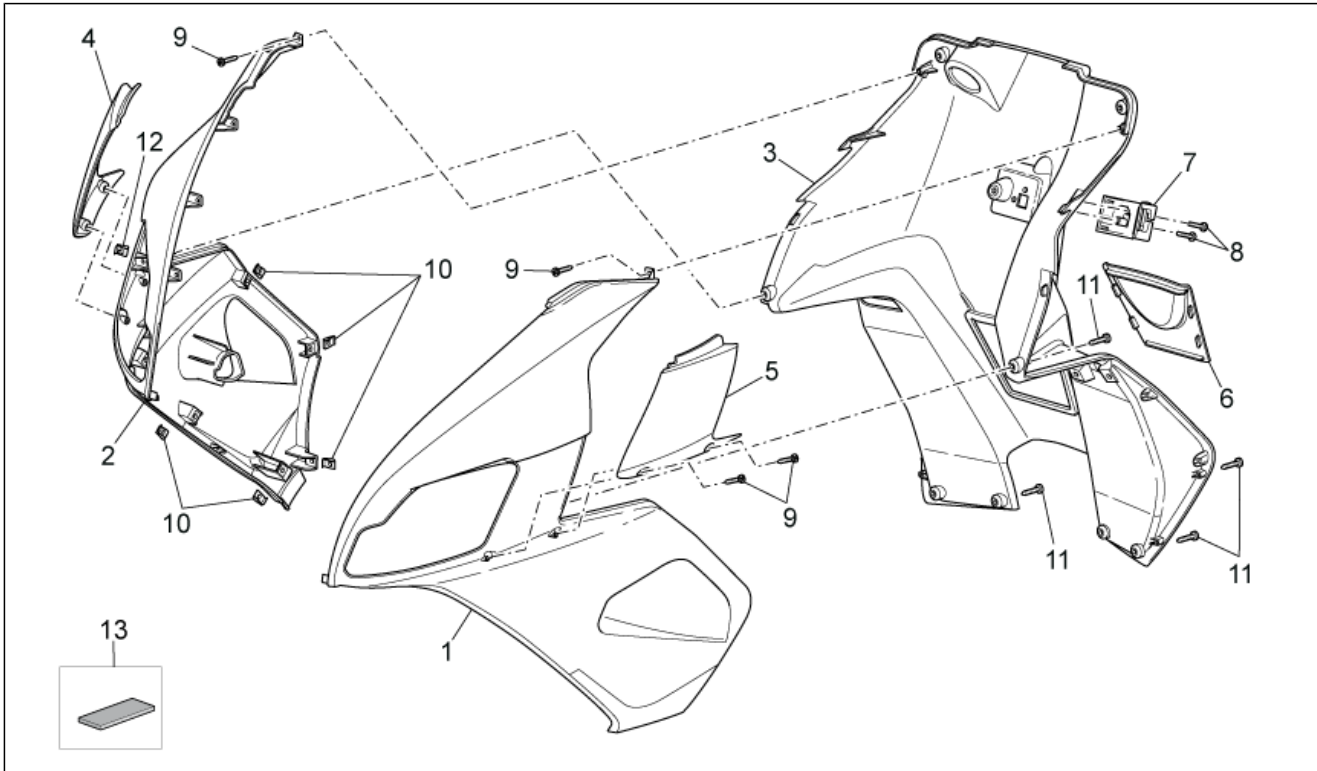
Pos.	Code	Description	Qty	Variants
5	AP8268886	Shield guard, orange	1	Year:2008[8] Vehicle colour:Code Orange (s.t.858613)[cod]
5	AP8268984	Shield guard, green	1	Year:2008[8] Vehicle colour:Talmacsi (s.t.860954)[tal]
6	AP8150450	Washer for shafts D5	4	
7	AP8150413	Self-tap screw 3,9x14	6	
8	AP8150421	Self-tap screw 2,9x12	3	
9	AP8152351	Screw 4,2x16*	2	
10	AP8202449	Clip	2	

<b>Group</b>	FRAME
<b>Code</b>	28.08
<b>Description</b>	Front body III
<b>Service</b>	1



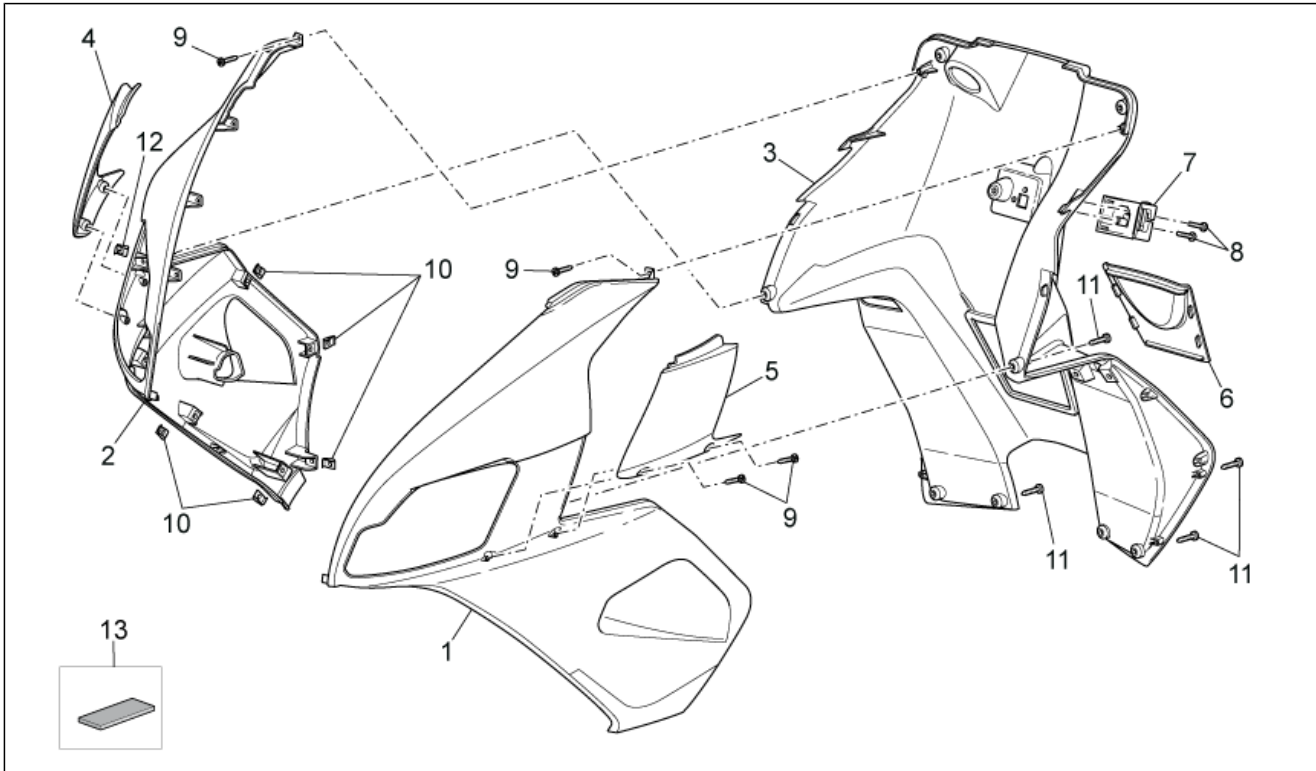
Pos.	Code	Description	Qty	Variants
1	AP8179904	LH front fairing, red	1	Year:2007[7], 2008[8] Vehicle colour:Spain's number 1 (S.T.852261)[spain7], Spain's N°1 (S.T.856881)[spain8] Technical Specifications:With decals applied[D]
1	AP8268052	LH front fairing, black	1	Year:2004[4] Vehicle colour:Aprilia Black (s.t.14707)[black]
1	AP8268296	LH front fairing, orange	1	Year:2004[4] Vehicle colour:Speed Orange (s.t.14721)[orange]
1	AP8268308	LH front fairing, white	1	Year:2004[4] Vehicle colour:Aprilia White (s.t.14722)[white] Technical Specifications:With decals applied[D]
1	AP8268338	LH front fairing, red	1	Year:2005[5] Vehicle colour:Spiderman (s.t.14792)[spider]
1	AP8268511	LH front fairing, white	1	Year:2006[6] Vehicle colour:Replica White (s.t.15103)[repl.white] Technical Specifications:With decals applied[D]
1	AP8268565	LH front fairing, silver	1	Year:2006[6], 2007[7] Vehicle colour:Silver Mirror (s.t.15188)[sil] Technical Specifications:With decals applied[D]
1	AP8268575	LH front fairing, black	1	Year:2006[6], 2007[7] Vehicle colour:Diablo Black (s.t.15189)[dia] Technical Specifications:With decals applied[D]
1	AP8268585	LH front fairing, yellow	1	Year:2006[6], 2007[7] Vehicle colour:Lemon Yellow (s.t.15190)[yel] Technical Specifications:With decals applied[D]
1	AP8268862	LH front fairing, black	1	Year:2008[8] Vehicle colour:Diablo Black (s.t.858611)[dia08] Technical Specifications:With decals applied[D]
1	AP8268870	LH front fairing, silver	1	Year:2008[8] Vehicle colour:Silver Crowd (s.t.858612)[cro] Technical Specifications:With decals applied[D]
1	AP8268883	LH front fairing, orange	1	Year:2008[8] Vehicle colour:Code Orange (s.t.858613)[cod] Technical Specifications:With decals applied[D]

<b>Group</b>	FRAME
<b>Code</b>	28.08
<b>Description</b>	Front body III
<b>Service</b>	1



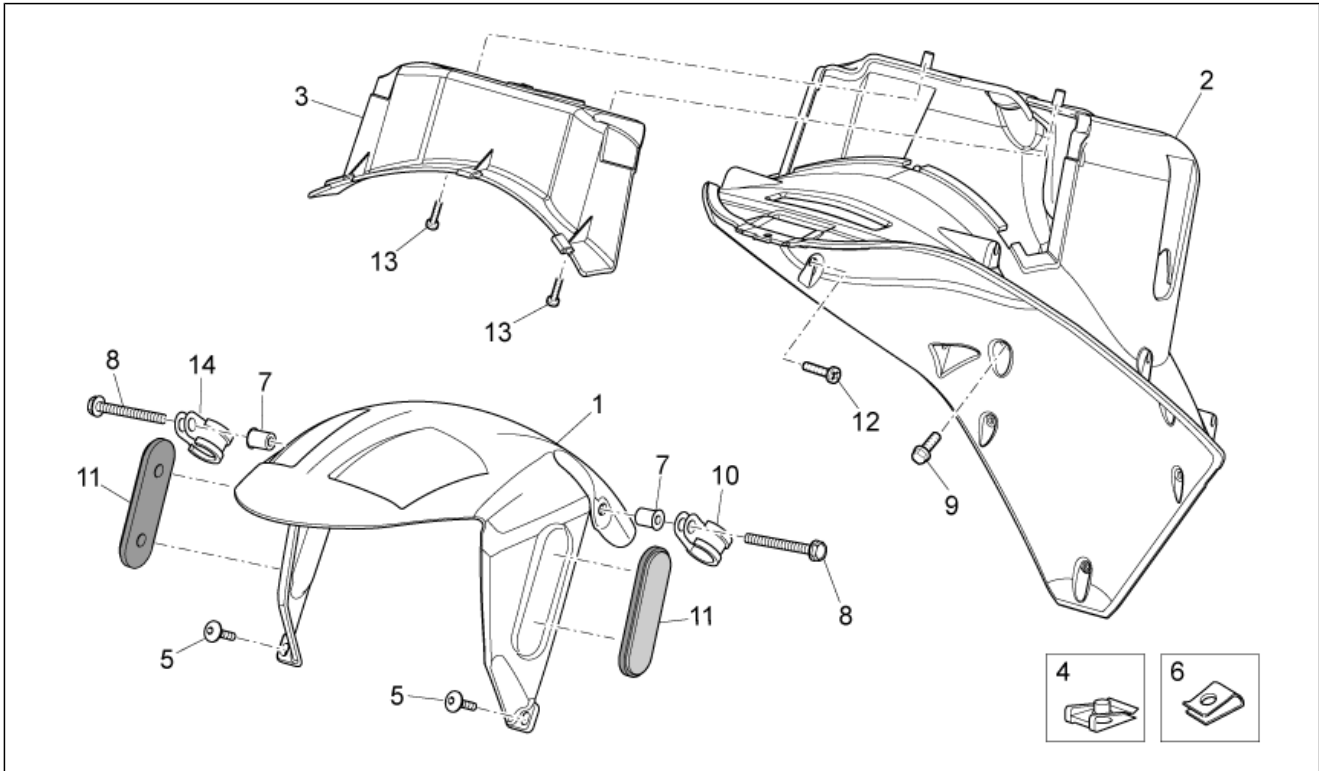
Pos.	Code	Description	Qty	Variants
1	AP8268892	LH front fairing, white	1	Year:2008[8] Vehicle colour:Aprilia White 2008 (s.t.858614)[white08] Technical Specifications:With decals applied[D]
1	AP8268981	LH front fairing, green	1	Year:2008[8] Vehicle colour:Talmacsi (s.t.860954)[tal] Technical Specifications:With decals applied[D]
1	AP8269181	LH front fairing, black	1	Year:2009[9] Vehicle colour:Superbike Replica (s.t.895057)[sbk] Technical Specifications:With decals applied[D]
2	AP8179903	RH front fairing, red	1	Year:2007[7], 2008[8] Vehicle colour:Spain's number 1 (S.T.852261)[spain7], Spain's N°1 (S.T.856881)[spain8] Technical Specifications:With decals applied[D]
2	AP8268051	RH front fairing, black	1	Year:2004[4] Vehicle colour:Aprilia Black (s.t.14707)[black]
2	AP8268295	RH front fairing, orange	1	Year:2004[4] Vehicle colour:Speed Orange (s.t.14721)[orange]
2	AP8268307	RH front fairing, white	1	Year:2004[4] Vehicle colour:Aprilia White (s.t.14722)[white] Technical Specifications:With decals applied[D]
2	AP8268337	RH front fairing, red	1	Year:2005[5] Vehicle colour:Spiderman (s.t.14792)[spider]
2	AP8268510	RH front fairing, white	1	Year:2006[6] Vehicle colour:Replica White (s.t.15103)[repl.white] Technical Specifications:With decals applied[D]
2	AP8268564	RH front fairing, silver	1	Year:2006[6], 2007[7] Vehicle colour:Silver Mirror (s.t.15188)[sil] Technical Specifications:With decals applied[D]
2	AP8268574	RH front fairing, black	1	Year:2006[6], 2007[7] Vehicle colour:Diablo Black (s.t.15189)[dia] Technical Specifications:With decals applied[D]
2	AP8268584	RH front fairing, yellow	1	Year:2006[6], 2007[7] Vehicle colour:Lemon Yellow (s.t.15190)[yel] Technical Specifications:With decals applied[D]

<b>Group</b>	FRAME
<b>Code</b>	28.08
<b>Description</b>	Front body III
<b>Service</b>	1



Pos.	Code	Description	Qty	Variants
2	AP8268861	RH front fairing, black	1	Year:2008[8] Vehicle colour:Diablo Black (s.t.858611)[dia08] Technical Specifications:With decals applied[D]
2	AP8268869	RH front fairing, silver	1	Year:2008[8] Vehicle colour:Silver Crowd (s.t.858612)[cro] Technical Specifications:With decals applied[D]
2	AP8268882	RH front fairing, orange	1	Year:2008[8] Vehicle colour:Code Orange (s.t.858613)[cod] Technical Specifications:With decals applied[D]
2	AP8268891	RH front fairing, white	1	Year:2008[8] Vehicle colour:Aprilia White 2008 (s.t.858614)[white08] Technical Specifications:With decals applied[D]
2	AP8268980	RH front fairing, green	1	Year:2008[8] Vehicle colour:Talmaci (s.t.860954)[tal] Technical Specifications:With decals applied[D]
2	AP8269180	RH front fairing, black	1	Year:2009[9] Vehicle colour:Superbike Replica (s.t.895057)[sbk] Technical Specifications:With decals applied[D]
3	AP8268055	Internal shield, black	1	
4	AP8268048	RH baffle, black	1	
4	AP8269189	RH baffle, red	1	
5	AP8268053	LH baffle, black	1	
5	AP8269190	LH baffle, red	1	
6	AP8268082	Type appr.data cover, black	1	
7	AP8201534	Undersaddle hook cpl.	1	
8	AP8150423	Screw 4,2x25*	2	
9	AP8150413	Self-tap screw 3,9x14	6	
10	AP8202449	Clip	20	
11	AP8152351	Screw 4,2x16*	10	
12	AP8102381	Clip M4	4	
13	AP8117073	Adhesive sponge	1	

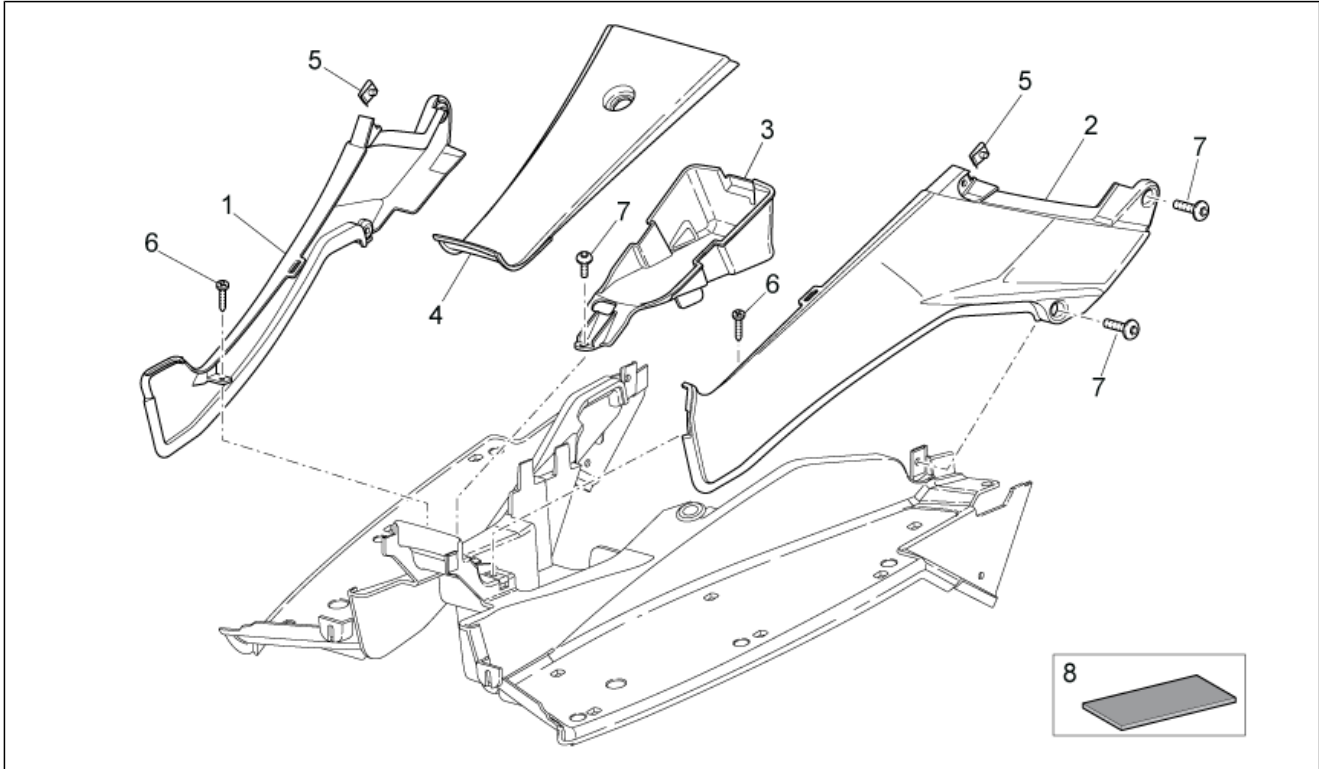
<b>Group</b>	FRAME
<b>Code</b>	28.09
<b>Description</b>	Front body IV
<b>Service</b>	1



Pos.	Code	Description	Qty	Variants
1	AP8226802	Front mudguard, black	1	
2	AP8268083	Wheel compartment	1	
3	AP8268253	Wheel compartment door	1	
4	254485	Spring plate M6	2	
5	AP8152298	Screw w/ flange M5x16	2	
6	AP8202449	Clip	1	
7	AP8120531	Rubber w/ insert	2	
8	AP8152341	Screw w/ flange M5x40	2	
9	598839	Screw w/ flange	2	
10	AP8134167	Brake hose hanger	1	
11	AP8224623	Reflector, amber	2	
12	AP8152351	Screw 4,2x16*	10	
13	AP8150413	Self-tap screw 3,9x14	2	
14	AP8104451	Cable-guide	1	

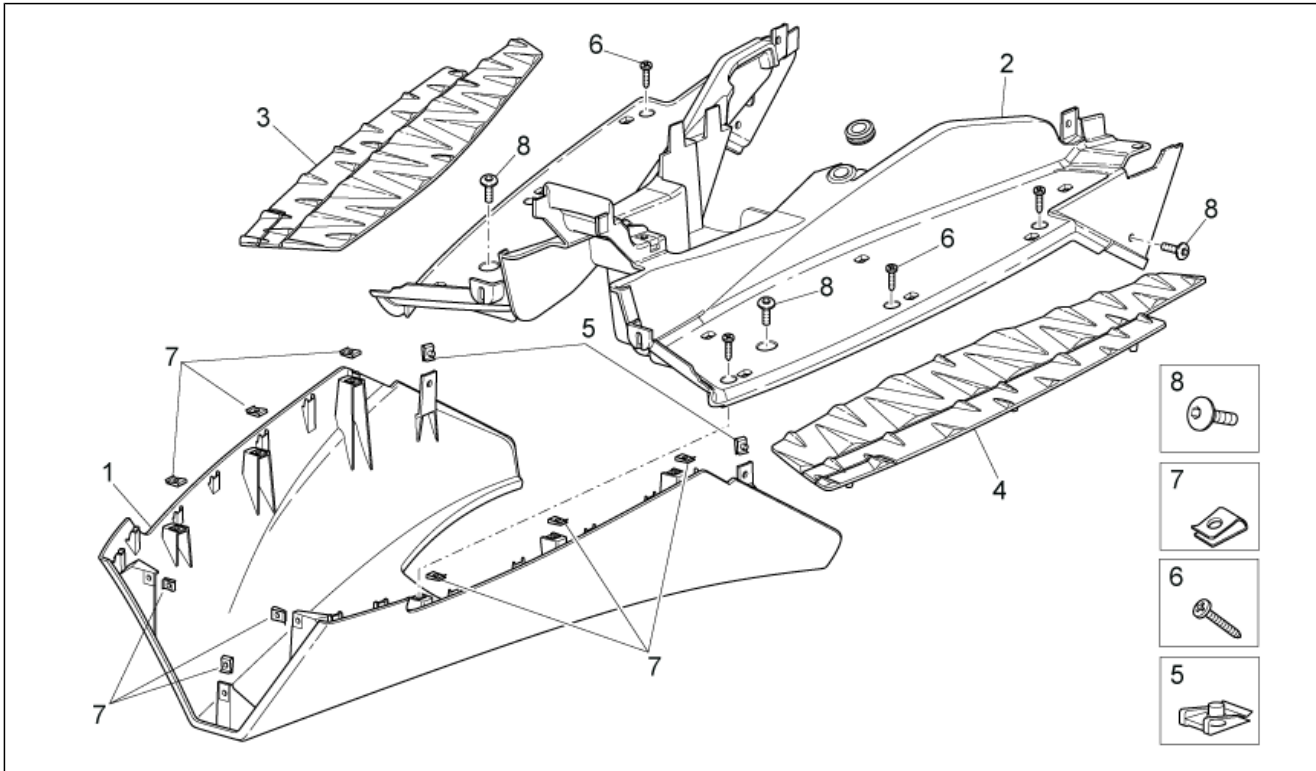


<b>Group</b>	FRAME
<b>Code</b>	28.10
<b>Description</b>	Central body I
<b>Service</b>	1



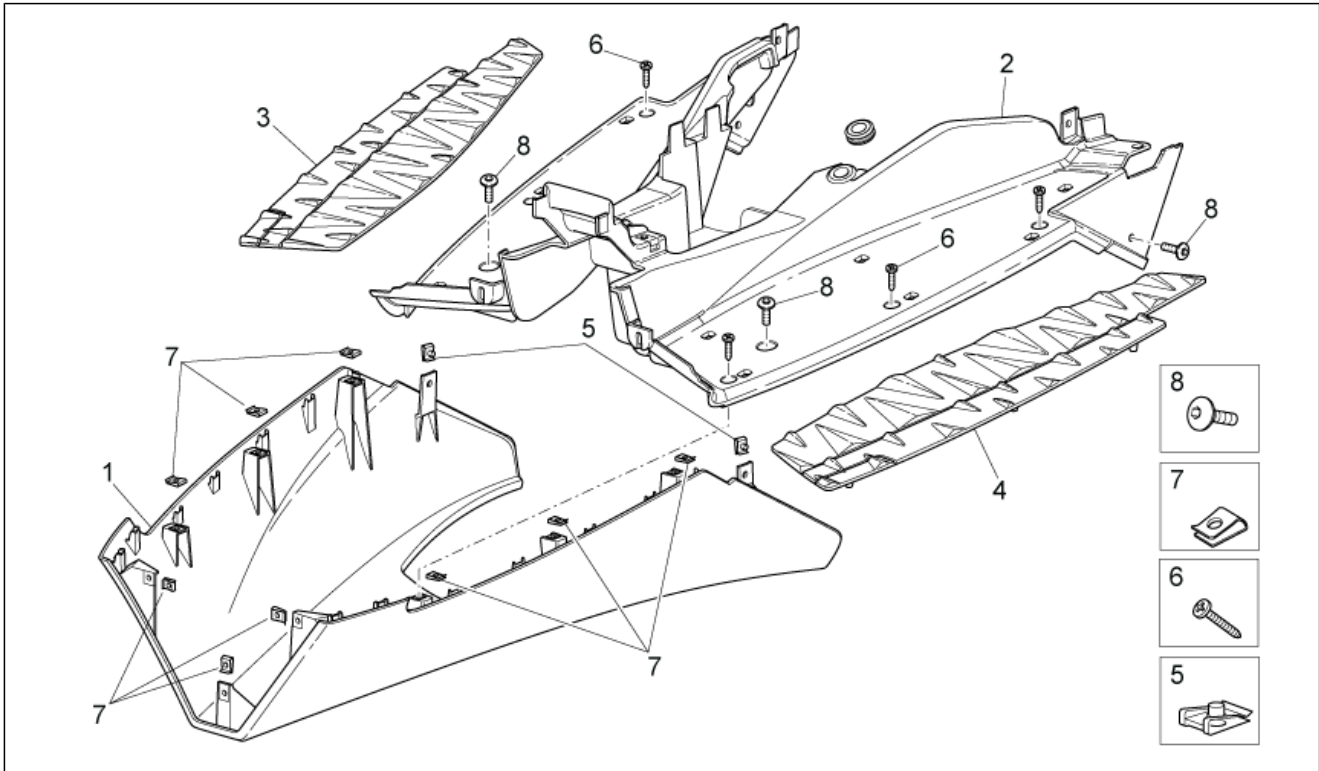
Pos.	Code	Description	Qty	Variants
1	AP8268061	RH grey tunnel	1	
2	AP8268060	LH grey tunnel	1	
3	AP8268046	Glove compartment	1	
4	AP8268068	Tunnel cover	1	
5	AP8102375	Clip m5	3	
6	AP8152351	Screw 4,2x16*	2	
7	AP8152298	Screw w/ flange M5x16	5	
8	AP8117040	Adhesive sponge, black 6x60	1	

<b>Group</b>	FRAME
<b>Code</b>	28.11
<b>Description</b>	Central body II
<b>Service</b>	1



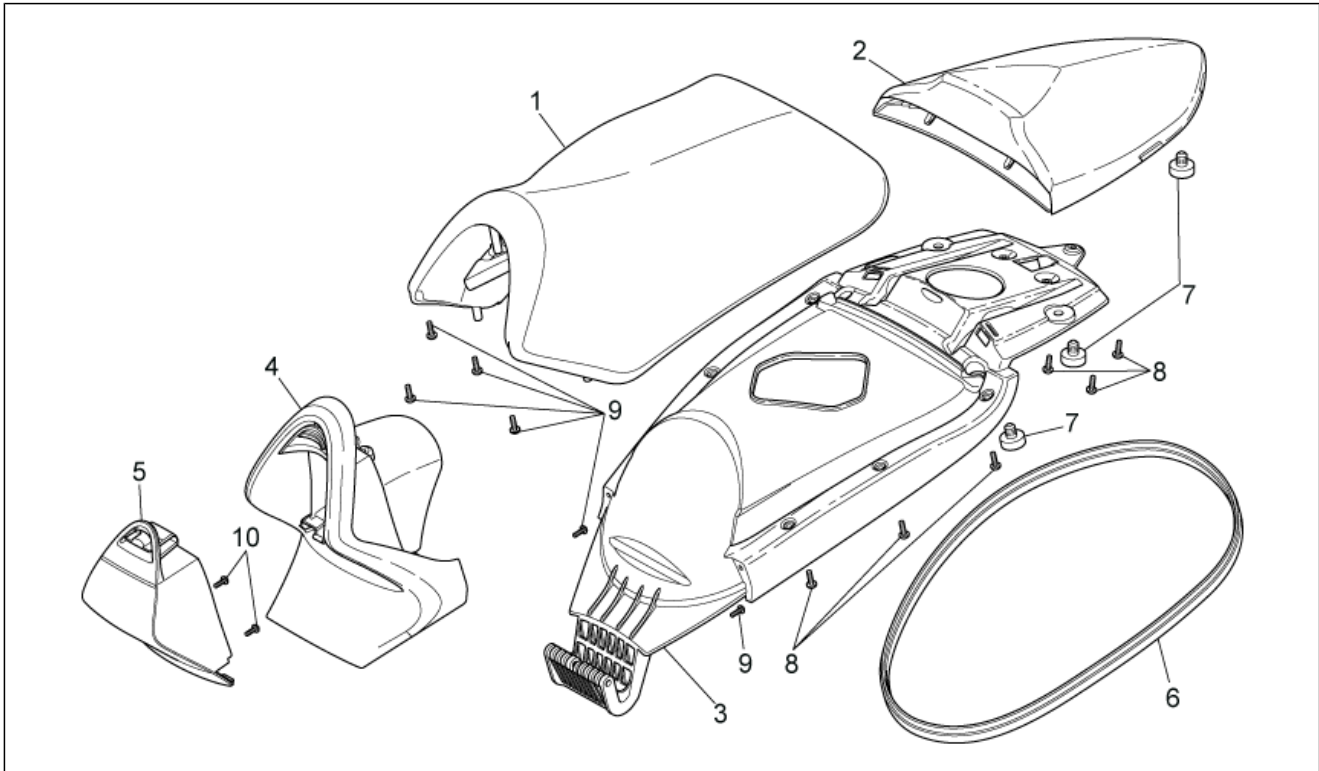
Pos.	Code	Description	Qty	Variants
1	AP8179839	Underpanel, black	1	<b>Year:</b> 2004[4] <b>Vehicle colour:</b> Aprilia Black (s.t.14707)[black], Speed Orange (s.t.14721)[orange], Aprilia White (s.t.14722)[white]
1	AP8179839	Underpanel, black	1	<b>Year:</b> 2007[7] <b>Vehicle colour:</b> Diablo Black (s.t.15189)[dia], Silver Mirror (s.t.15188)[sil], Lemon Yellow (s.t.15190)[yel] <b>Country:</b> United States of America[USA] <b>Technical Specifications:</b> With decals applied[D]
1	AP8179839	Underpanel, black	1	<b>Year:</b> 2006[6] <b>Country:</b> I-B-GR-D[EU] <b>Technical Specifications:</b> With decals applied[D]
1	AP8179910	Underpanel, black	1	<b>Year:</b> 2007[7], 2008[8] <b>Vehicle colour:</b> Spain's number 1 (S.T.852261)[spain7], Spain's N°1 (S.T.856881)[spain8] <b>Technical Specifications:</b> With decals applied[D]
1	AP8268344	Underpanel, red	1	<b>Year:</b> 2005[5] <b>Vehicle colour:</b> Spiderman (s.t.14792)[spider]
1	AP8268867	Underpanel, black	1	<b>Year:</b> 2008[8] <b>Vehicle colour:</b> Code Orange (s.t.858613)[cod], Silver Crowd (s.t.858612)[cro], Diablo Black (s.t.858611)[dia08], Aprilia White 2008 (s.t.858614)[white08] <b>Technical Specifications:</b> With decals applied[D]
1	AP8268988	Underpanel, black	1	<b>Year:</b> 2008[8] <b>Vehicle colour:</b> Talmacsi (s.t.860954)[tal] <b>Technical Specifications:</b> With decals applied[D]
1	AP8269191	Underpanel, black	1	<b>Year:</b> 2009[9] <b>Vehicle colour:</b> Superbike Replica (s.t.895057)[sbk] <b>Technical Specifications:</b> With decals applied[D]
2	AP8268057	Floor panel, black	1	
3	AP8268063	RH mat, black	1	
4	AP8268064	LH mat, black	1	
5	AP8102375	Clip m5	5	

<b>Group</b>	FRAME
<b>Code</b>	28.11
<b>Description</b>	Central body II
<b>Service</b>	1



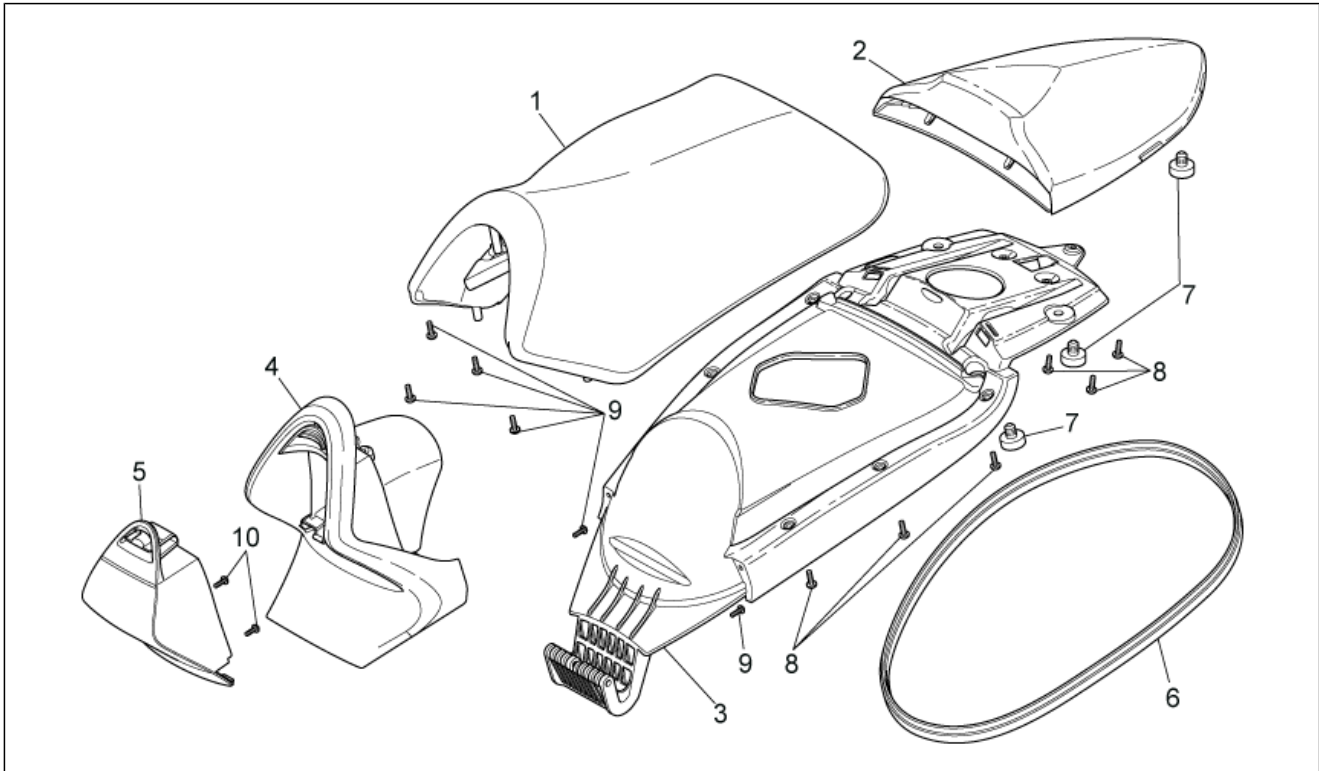
Pos.	Code	Description	Qty	Variants
6	AP8152351	Screw 4,2x16*	9	
7	AP8202449	Clip	13	
8	AP8152298	Screw w/ flange M5x16	8	

<b>Group</b>	FRAME
<b>Code</b>	28.12
<b>Description</b>	Saddle - Handle
<b>Service</b>	1



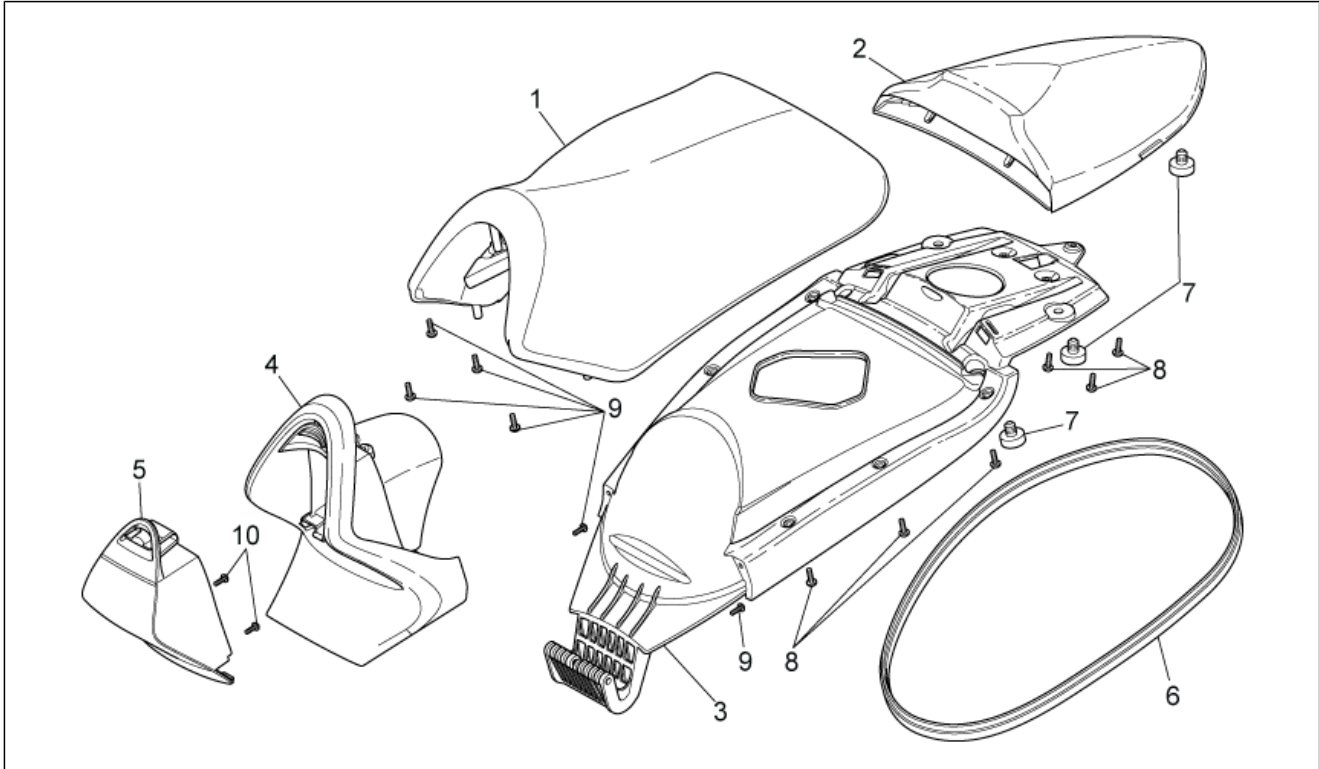
Pos.	Code	Description	Qty	Variants
1	896514	Driver saddle	1	Year:2009[9] Vehicle colour:Superbike Replica (s.t.895057)[sbk] Country:I-B-GR-D[EU], Japan[JJ]
1	AP8229399	Driver saddle, black	1	Year:2007[7] Vehicle colour:Spain's number 1 (S.T.852261)[spain] Country:I-B-GR-D[EU], Japan[JJ]
1	AP8229399	Driver saddle, black	1	Year:2008[8] Vehicle colour:Talmacsi (s.t.860954)[tal] Country:I-B-GR-D[EU], Japan[JJ]
1	AP8229399	Driver saddle, black	1	Year:2004[4], 2006[6] Vehicle colour:Aprilia Black (s.t.14707)[black], Speed Orange (s.t.14721)[orange], Replica White (s.t.15103)[repl.white], Silver Mirror (s.t.15188)[sil], Aprilia White (s.t.14722)[white], Lemon Yellow (s.t.15190)[yel] Country:I-B-GR-D[EU], Japan[JJ]
1	AP8229399	Driver saddle, black	1	Year:2008[8] Country:United States of America[USA]
1	AP8229399	Driver saddle, black	1	Year:2005[5] Vehicle colour:Spiderman (s.t.14792)[spider] Country:I-B-GR-D[EU], Japan[JJ]
1	AP8229426	Driver saddle, red	1	Year:2006[6] Vehicle colour:Diablo Black (s.t.15189)[dia] Country:I-B-GR-D[EU], Japan[JJ]
1	AP8229444	Driver saddle	1	Year:2008[8] Vehicle colour:Diablo Black (s.t.858611)[dia08], Aprilia White 2008 (s.t.858614)[white08] Country:I-B-GR-D[EU], Japan[JJ]
1	AP8229446	Driver saddle, black	1	Year:2008[8] Vehicle colour:Silver Crowd (s.t.858612)[cro] Country:I-B-GR-D[EU], Japan[JJ]
1	AP8229446	Driver saddle, black	1	Year:2008[8] Vehicle colour:Code Orange (s.t.858613)[cod] Country:I-B-GR-D[EU], Japan[JJ]
2	896515	Rear saddle	1	Year:2009[9]

<b>Group</b>	FRAME
<b>Code</b>	28.12
<b>Description</b>	Saddle - Handle
<b>Service</b>	1



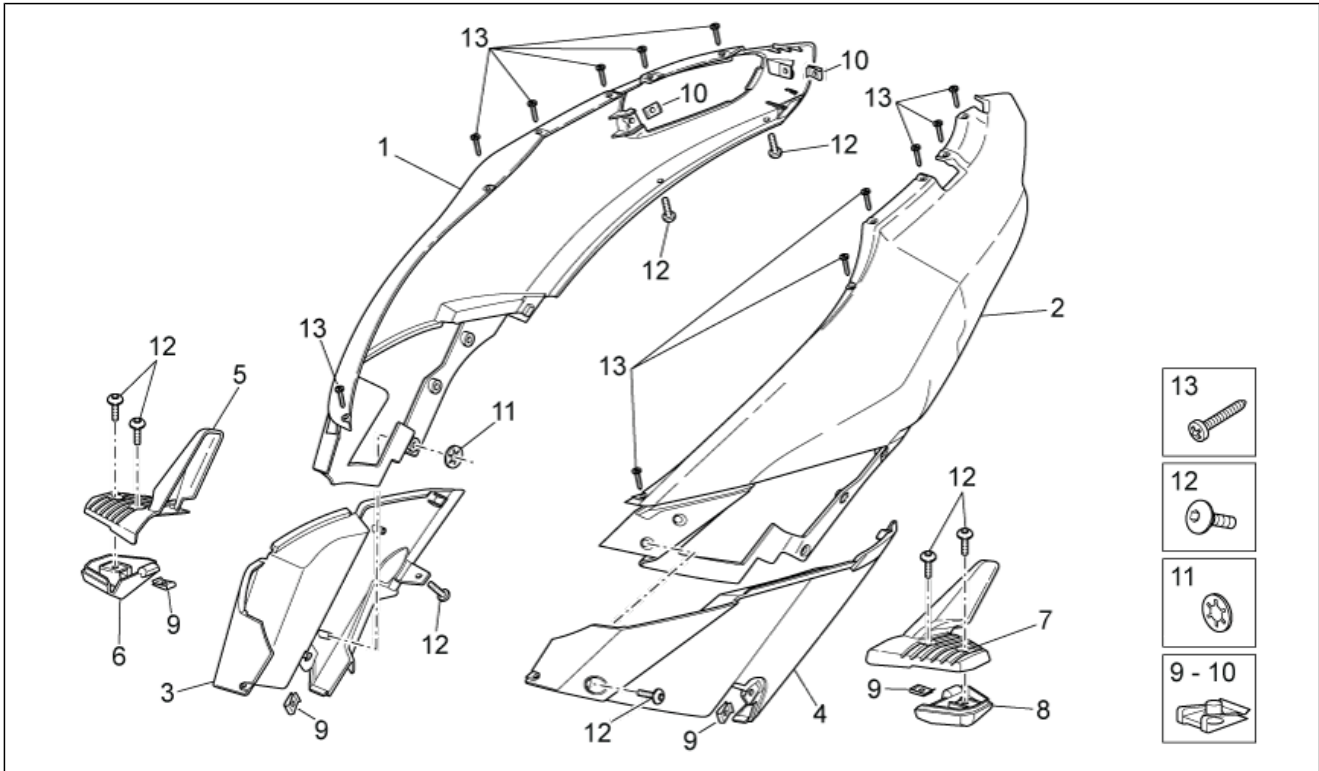
Pos.	Code	Description	Qty	Variants
				<b>Vehicle colour:</b> Superbike Replica (s.t.895057)[sbk] <b>Country:</b> I-B-GR-D[EU], Japan[JJ]
2	AP8229400	Rear saddle, black	1	<b>Year:</b> 2008[8] <b>Vehicle colour:</b> Talmacci (s.t.860954)[tal] <b>Country:</b> I-B-GR-D[EU], Japan[JJ]
2	AP8229400	Rear saddle, black	1	<b>Year:</b> 2008[8] <b>Country:</b> United States of America[USA]
2	AP8229400	Rear saddle, black	1	<b>Year:</b> 2004[4] <b>Vehicle colour:</b> Aprilia Black (s.t.14707)[black], Speed Orange (s.t.14721)[orange], Aprilia White (s.t.14722)[white] <b>Country:</b> I-B-GR-D[EU], Japan[JJ]
2	AP8229400	Rear saddle, black	1	<b>Year:</b> 2006[6], 2007[7] <b>Vehicle colour:</b> Diablo Black (s.t.15189)[dia] <b>Country:</b> I-B-GR-D[EU], Japan[JJ]
2	AP8229413	Rear saddle, red	1	<b>Year:</b> 2007[7] <b>Vehicle colour:</b> Spain's number 1 (S.T.852261)[spain] <b>Country:</b> I-B-GR-D[EU], Japan[JJ]
2	AP8229413	Rear saddle, red	1	<b>Year:</b> 2005[5] <b>Vehicle colour:</b> Spiderman (s.t.14792)[spider] <b>Country:</b> I-B-GR-D[EU], Japan[JJ]
2	AP8229418	Rear saddle, blue	1	<b>Year:</b> 2006[6] <b>Vehicle colour:</b> Replica White (s.t.15103)[repl.white] <b>Country:</b> I-B-GR-D[EU], Japan[JJ]
2	AP8229427	Rear saddle, yellow	1	<b>Year:</b> 2006[6], 2007[7] <b>Vehicle colour:</b> Lemon Yellow (s.t.15190)[yel] <b>Country:</b> I-B-GR-D[EU], Japan[JJ]
2	AP8229428	Rear saddle, grey	1	<b>Year:</b> 2006[6], 2007[7] <b>Vehicle colour:</b> Silver Mirror (s.t.15188)[sil] <b>Country:</b> I-B-GR-D[EU], Japan[JJ]
2	AP8229445	Rear saddle, black	1	<b>Year:</b> 2008[8] <b>Vehicle colour:</b> Diablo Black (s.t.858611)[dia08], Aprilia White 2008 (s.t.858614)[white08] <b>Country:</b> I-B-GR-D[EU], Japan[JJ]

<b>Group</b>	FRAME
<b>Code</b>	28.12
<b>Description</b>	Saddle - Handle
<b>Service</b>	1



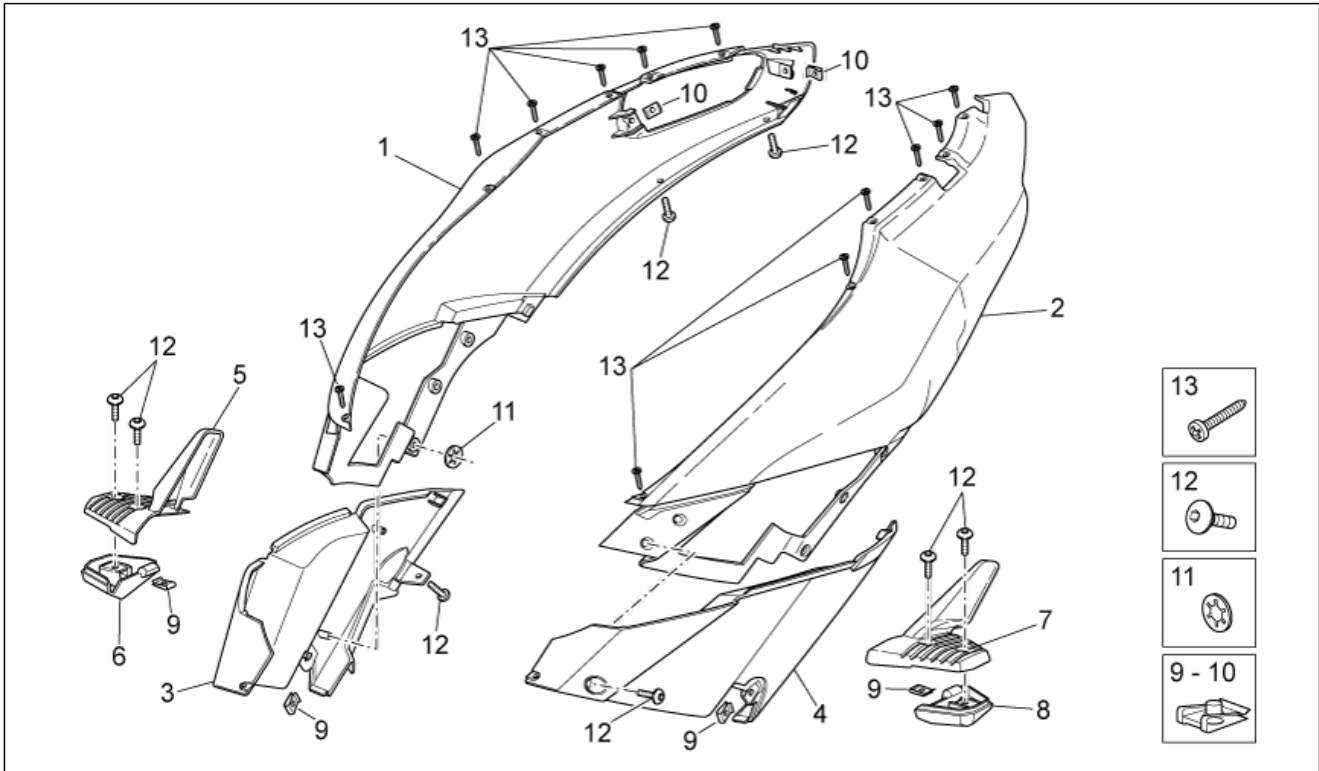
Pos.	Code	Description	Qty	Variants
2	AP8229447	Rear saddle, grey	1	Year:2008[8] Vehicle colour:Silver Crowd (s.t.858612)[cro] Country:I-B-GR-D[EU], Japan[JJ]
2	AP8229449	Rear saddle, black	1	Year:2008[8] Vehicle colour:Code Orange (s.t.858613)[cod] Country:I-B-GR-D[EU], Japan[JJ]
3	AP8229401	Saddle bottom, cpl.	1	
4	AP8229402	Saddle pillar, black	1	
5	AP8229403	Box	1	
6	AP8229404	Gasket	1	
7	AP8220349	Rubber spacer	5	
8	AP8150509	Self-tap screw 5x14	9	
9	AP8150413	Self-tap screw 3,9x14	6	
10	AP8150444	Self-tapping screw	2	

<b>Group</b>	FRAME
<b>Code</b>	28.13
<b>Description</b>	Rear body I
<b>Service</b>	1



Pos.	Code	Description	Qty	Variants
1	AP8179908	RH side panel, red	1	Year:2007[7] Vehicle colour:Spain's number 1 (S.T.852261)[spain7] Technical Specifications:With decals applied[D]
1	AP8268049	RH side panel, black	1	Year:2004[4] Vehicle colour:Aprilia Black (s.t.14707)[black]
1	AP8268299	RH side panel, orange	1	Year:2004[4] Vehicle colour:Speed Orange (s.t.14721)[orange]
1	AP8268310	RH side panel, white	1	Year:2004[4] Vehicle colour:Aprilia White (s.t.14722)[white]
1	AP8268342	RH side panel, blue	1	Year:2005[5] Vehicle colour:Spiderman (s.t.14792)[spider]
1	AP8268512	RH side panel, white	1	Year:2006[6] Vehicle colour:Replica White (s.t.15103)[repl.white] Technical Specifications:With decals applied[D]
1	AP8268568	RH side panel, silver	1	Year:2006[6], 2007[7] Vehicle colour:Silver Mirror (s.t.15188)[sil] Technical Specifications:With decals applied[D]
1	AP8268578	RH side panel, black	1	Year:2006[6], 2007[7] Vehicle colour:Diablo Black (s.t.15189)[dia] Technical Specifications:With decals applied[D]
1	AP8268588	RH side panel, yellow	1	Year:2006[6], 2007[7] Vehicle colour:Lemon Yellow (s.t.15190)[yel] Technical Specifications:With decals applied[D]
1	AP8268729	RH side panel, red	1	Year:2008[8] Vehicle colour:Spain's N°1 (S.T.856881)[spain8] Technical Specifications:With decals applied[D]
1	AP8268865	RH side panel, black	1	Year:2008[8] Vehicle colour:Diablo Black (s.t.858611)[dia08] Technical Specifications:With decals applied[D]
1	AP8268874	RH side panel, silver	1	Year:2008[8] Vehicle colour:Silver Crowd (s.t.858612)[cro] Technical Specifications:With decals applied[D]
1	AP8268887	RH side panel, orange	1	Year:2008[8]

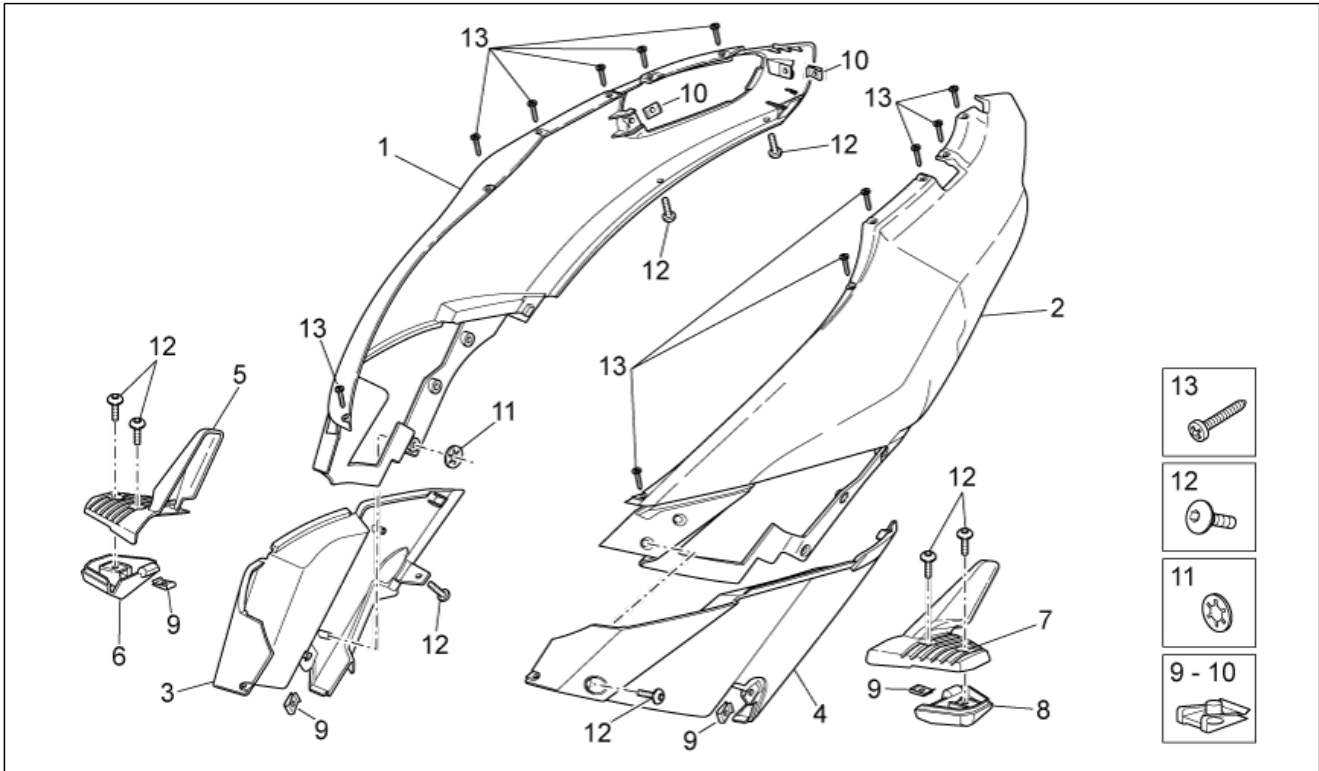
<b>Group</b>	FRAME
<b>Code</b>	28.13
<b>Description</b>	Rear body I
<b>Service</b>	1



Pos.	Code	Description	Qty	Variants
				<b>Vehicle colour:</b> Code Orange (s.t.858613)[cod] <b>Technical Specifications:</b> With decals applied[D]
1	AP8268896	RH side panel, white	1	<b>Year:</b> 2008[8] <b>Vehicle colour:</b> Aprilia White 2008 (s.t.858614)[white08] <b>Technical Specifications:</b> With decals applied[D]
1	AP8268985	RH side panel, green	1	<b>Year:</b> 2008[8] <b>Vehicle colour:</b> Talmacsi (s.t.860954)[tal] <b>Technical Specifications:</b> With decals applied[D]
1	AP8269184	RH side panel, red	1	<b>Year:</b> 2009[9] <b>Vehicle colour:</b> Superbike Replica (s.t.895057)[sbk] <b>Technical Specifications:</b> With decals applied[D]
2	AP8179909	LH side panel, red	1	<b>Year:</b> 2007[7] <b>Vehicle colour:</b> Spain's number 1 (S.T.852261)[spain7] <b>Technical Specifications:</b> With decals applied[D]
2	AP8268050	LH side panel, black	1	<b>Year:</b> 2004[4] <b>Vehicle colour:</b> Aprilia Black (s.t.14707)[black]
2	AP8268300	LH side panel, orange	1	<b>Year:</b> 2004[4] <b>Vehicle colour:</b> Speed Orange (s.t.14721)[orange]
2	AP8268311	LH side panel, white	1	<b>Year:</b> 2004[4] <b>Vehicle colour:</b> Aprilia White (s.t.14722)[white]
2	AP8268343	LH side panel, blue	1	<b>Year:</b> 2005[5] <b>Vehicle colour:</b> Spiderman (s.t.14792)[spider]
2	AP8268513	LH side panel, white	1	<b>Year:</b> 2006[6] <b>Vehicle colour:</b> Replica White (s.t.15103)[repl.white] <b>Technical Specifications:</b> With decals applied[D]
2	AP8268569	LH side panel, silver	1	<b>Year:</b> 2006[6], 2007[7] <b>Vehicle colour:</b> Silver Mirror (s.t.15188)[sil] <b>Technical Specifications:</b> With decals applied[D]
2	AP8268579	LH side panel, black	1	<b>Year:</b> 2006[6], 2007[7] <b>Vehicle colour:</b> Diablo Black (s.t.15189)[dia] <b>Technical Specifications:</b> With decals applied[D]
2	AP8268589	LH side panel, yellow	1	<b>Year:</b> 2006[6], 2007[7] <b>Vehicle colour:</b> Lemon Yellow (s.t.15190)[yel] <b>Technical Specifications:</b> With decals applied[D]

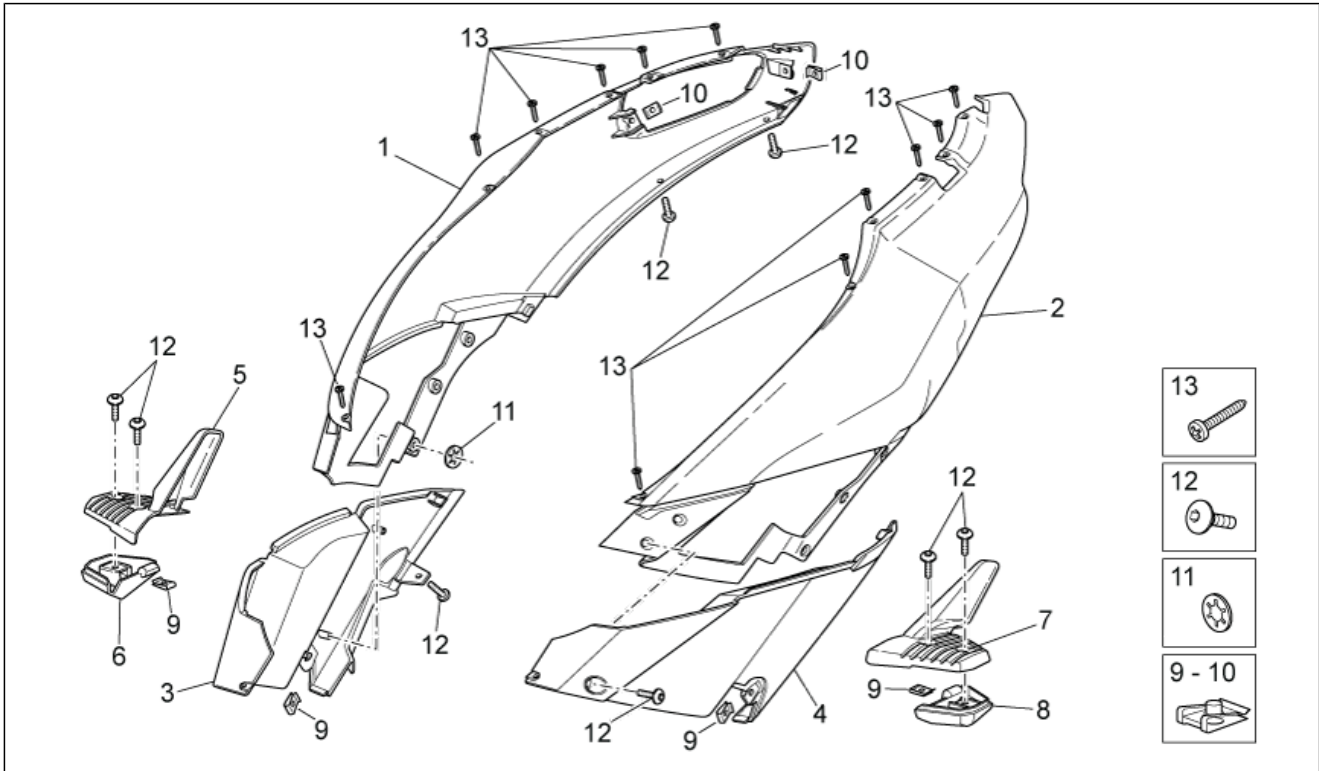


<b>Group</b>	FRAME
<b>Code</b>	28.13
<b>Description</b>	Rear body I
<b>Service</b>	1



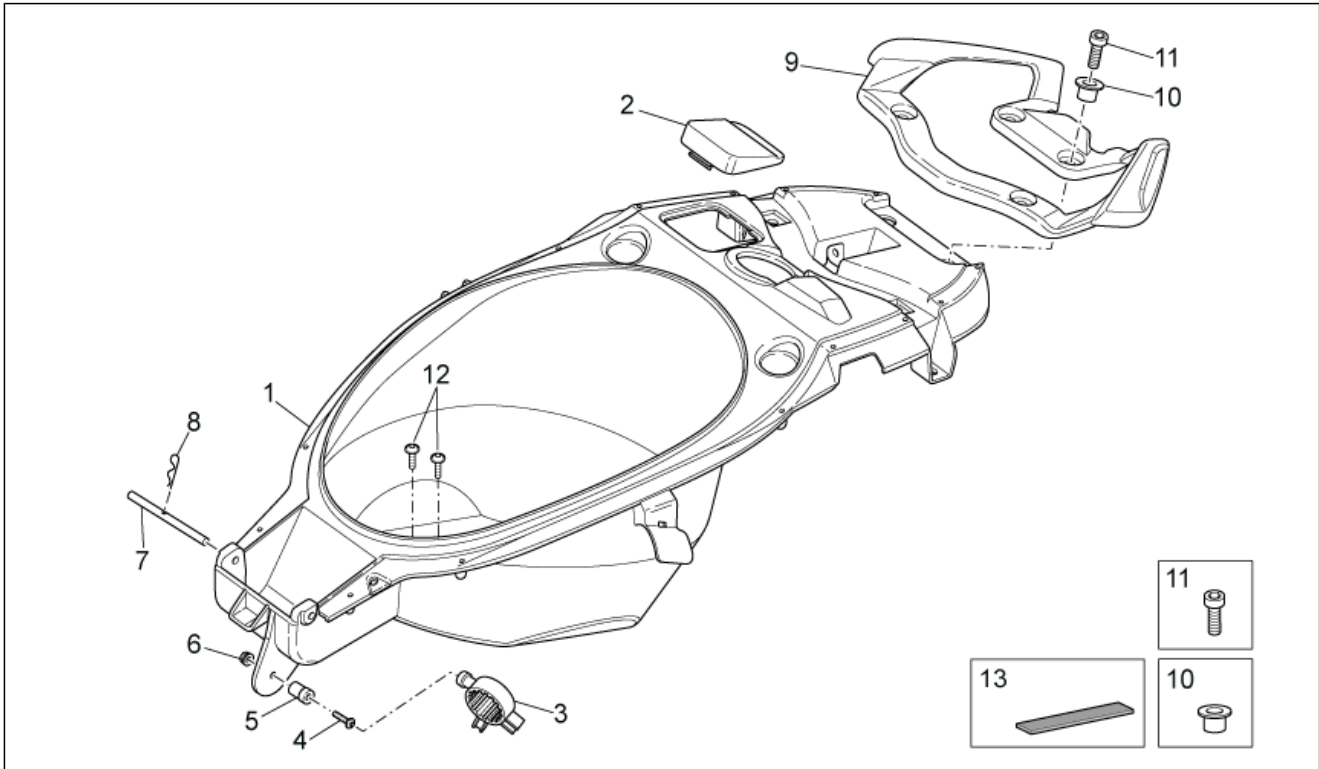
Pos.	Code	Description	Qty	Variants
2	AP8268730	LH side panel, red	1	Year:2008[8] Vehicle colour:Spain's N°1 (S.T.856881)[spain8] Technical Specifications:With decals applied[D]
2	AP8268866	LH side panel, black	1	Year:2008[8] Vehicle colour:Diablo Black (s.t.858611)[dia08] Technical Specifications:With decals applied[D]
2	AP8268875	LH side panel, silver	1	Year:2008[8] Vehicle colour:Silver Crowd (s.t.858612)[cro] Technical Specifications:With decals applied[D]
2	AP8268888	LH side panel, orange	1	Year:2008[8] Vehicle colour:Code Orange (s.t.858613)[cod] Technical Specifications:With decals applied[D]
2	AP8268897	LH side panel, white	1	Year:2008[8] Vehicle colour:Aprilia White 2008 (s.t.858614)[white08] Technical Specifications:With decals applied[D]
2	AP8268986	LH side panel, green	1	Year:2008[8] Vehicle colour:Talmacsi (s.t.860954)[tal] Technical Specifications:With decals applied[D]
2	AP8269185	LH side panel, red	1	Year:2009[9] Vehicle colour:Superbike Replica (s.t.895057)[sbk] Technical Specifications:With decals applied[D]
3	AP8268075	RH Pillar, grey	1	
4	AP8268076	LH Pillar, grey	1	
5	AP8268081	RH cover rear footr., silver	1	
6	AP8268080	RH Footrest housing, black	1	
7	AP8268262	LH cover rear footr., silver	1	
8	AP8268263	Fondo pedana sx grigia	1	
9	AP8102375	Clip m5	4	
10	AP8102381	Clip M4	4	
11	AP8150450	Washer for shafts D5	8	
12	AP8152298	Screw w/ flange M5x16	2	

<b>Group</b>	FRAME
<b>Code</b>	28.13
<b>Description</b>	Rear body I
<b>Service</b>	1



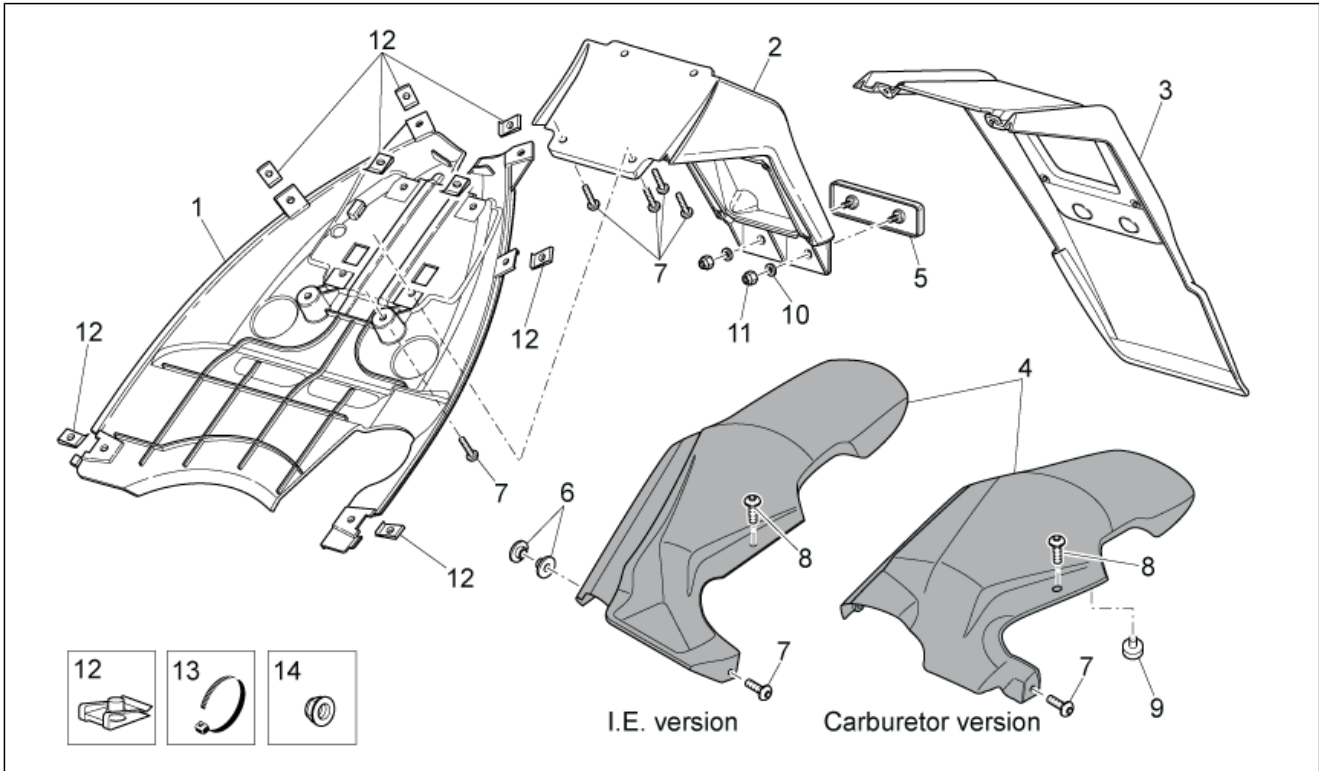
Pos.	Code	Description	Qty	Variants
13	AP8150413	Self-tap screw 3,9x14	12	

<b>Group</b>	FRAME
<b>Code</b>	28.14
<b>Description</b>	Rear body II
<b>Service</b>	1



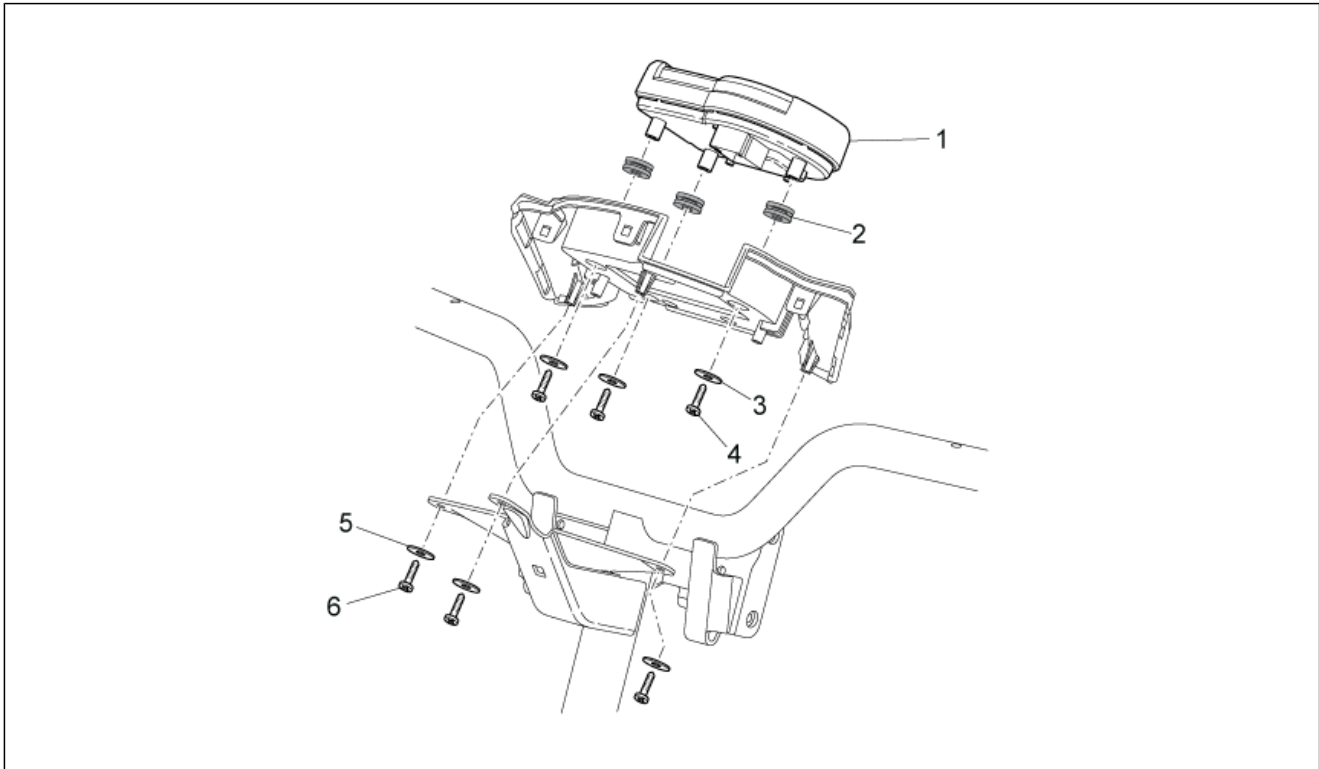
Pos.	Code	Description	Qty	Variants
1	AP8268041	Helmet compartment	1	
2	AP8268084	Fuel sens. cover	1	
3	AP8220592	Fuel pump support	1	<b>Technical Specifications:</b> Injection Version (C361M)[ie]
4	AP8225369	Hex socket screw	1	
5	AP8234195	Pin	1	
6	AP8152306	Self-locking nut m5	1	
7	AP8221321	Saddle spin	1	
8	AP8201643	Split pin	1	
9	AP8268062	Pillion grab bar, black	1	
10	AP8121679	T bush *	4	
11	AP8150165	Hex socket screw M6x25	4	<b>Technical Specifications:</b> Injection Version (C361M)[ie]
12	AP8152246	Screw w/ flange M6x16	2	
13	AP8117033	Adhesive sponge	2	

<b>Group</b>	FRAME
<b>Code</b>	28.15
<b>Description</b>	Rear body III
<b>Service</b>	1



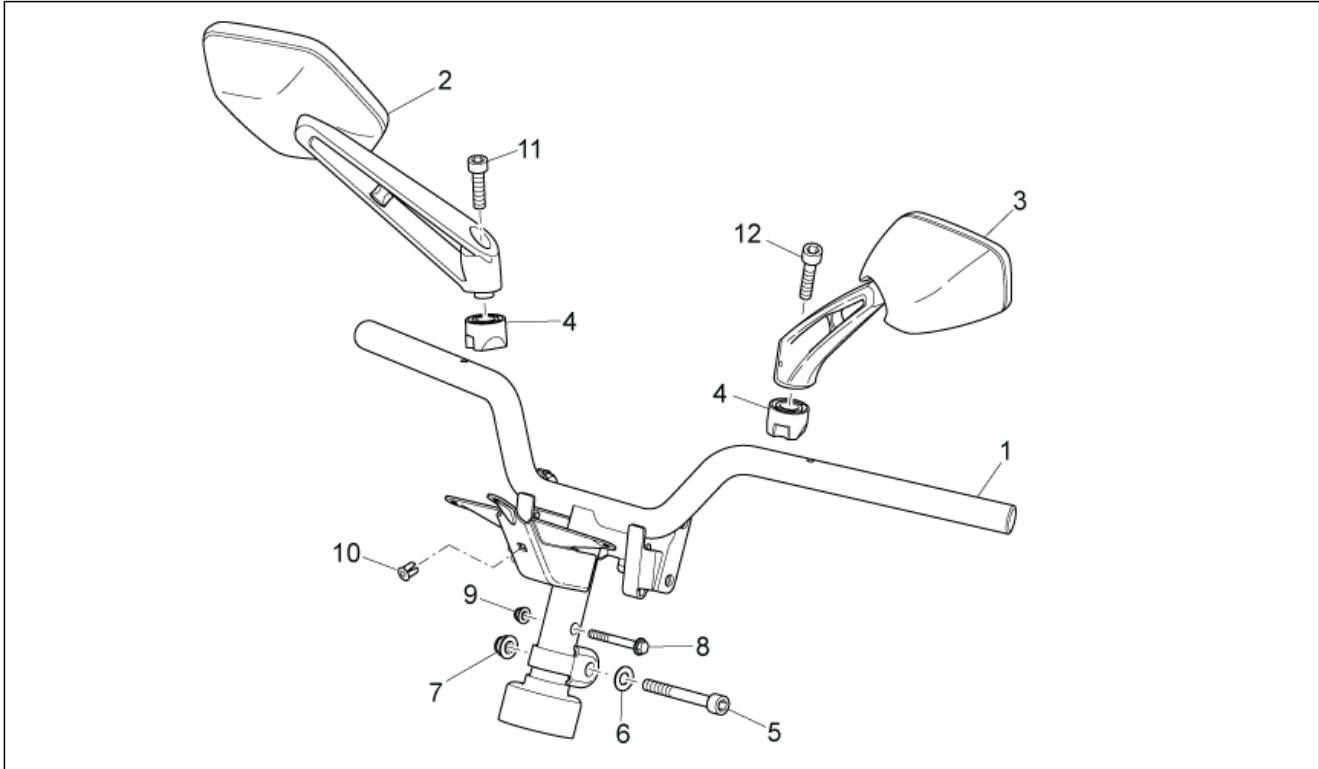
Pos.	Code	Description	Qty	Variants
1	AP8268058	Fuel tank prot., black	1	
2	AP8268042	Number plate holder, black	1	
3	AP8226801	Rear splash guard, black	1	
4	AP8226762	Rear mudguard	1	<b>Technical Specifications:</b> Injection Version (C361M)[ie]
4	AP8226790	Rear mudguard	1	<b>Technical Specifications:</b> Carburetor Version (C364M)[carb]
5	AP8112916	Rear reflector	1	
6	AP8221218	Mudguard bush	2	
7	AP8152298	Screw w/ flange M5x16	14	
8	AP8152302	Screw w/ flange M5x12	1	
9	AP8144081	Rubber spacer	1	<b>Technical Specifications:</b> Carburetor Version (C364M)[carb]
10	AP8150158	Washer 4,3X9X0,8	2	
11	AP8150204	Nut M4	2	
12	AP8102375	Clip m5	10	
13	AP8120416	Black hose 178x4	1	
14	AP8152306	Self-locking nut m5	3	

<b>Group</b>	FRAME
<b>Code</b>	28.16
<b>Description</b>	Dashboard
<b>Service</b>	1



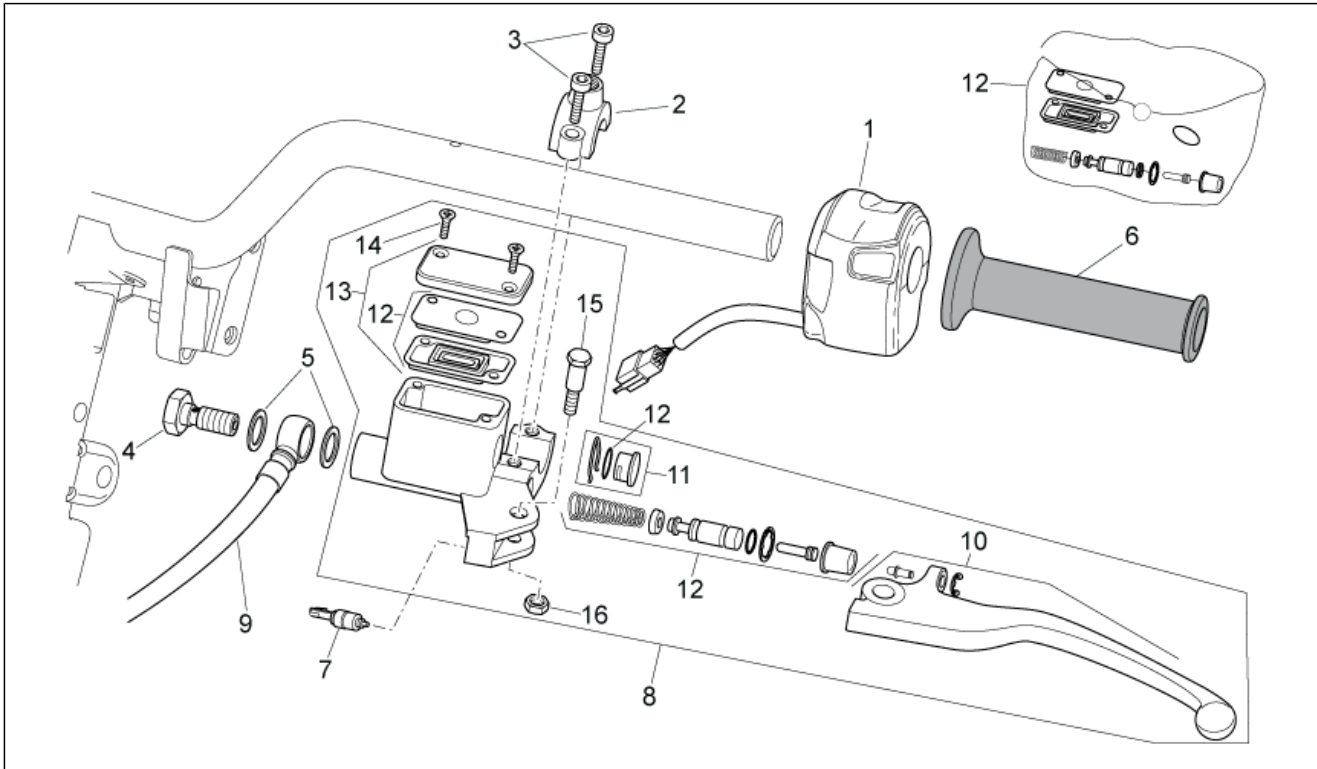
Pos.	Code	Description	Qty	Variants
1	890622	Dashboard	1	<b>Technical Specifications:</b> Injection Version (C361M)[ie]
1	890623	Dashboard	1	<b>Technical Specifications:</b> Carburetor Version (C364M)[carb]
2	AP8220150	Rubber spacer	3	
3	AP8150255	Washer 5x20x1,5	3	
4	AP8150509	Self-tap screw 5x14	3	
5	AP8150382	Washer 15x5,5X1,2	3	
6	AP8150413	Self-tap screw 3,9x14	3	

<b>Group</b>	FRAME
<b>Code</b>	28.17
<b>Description</b>	Handlebar
<b>Service</b>	1



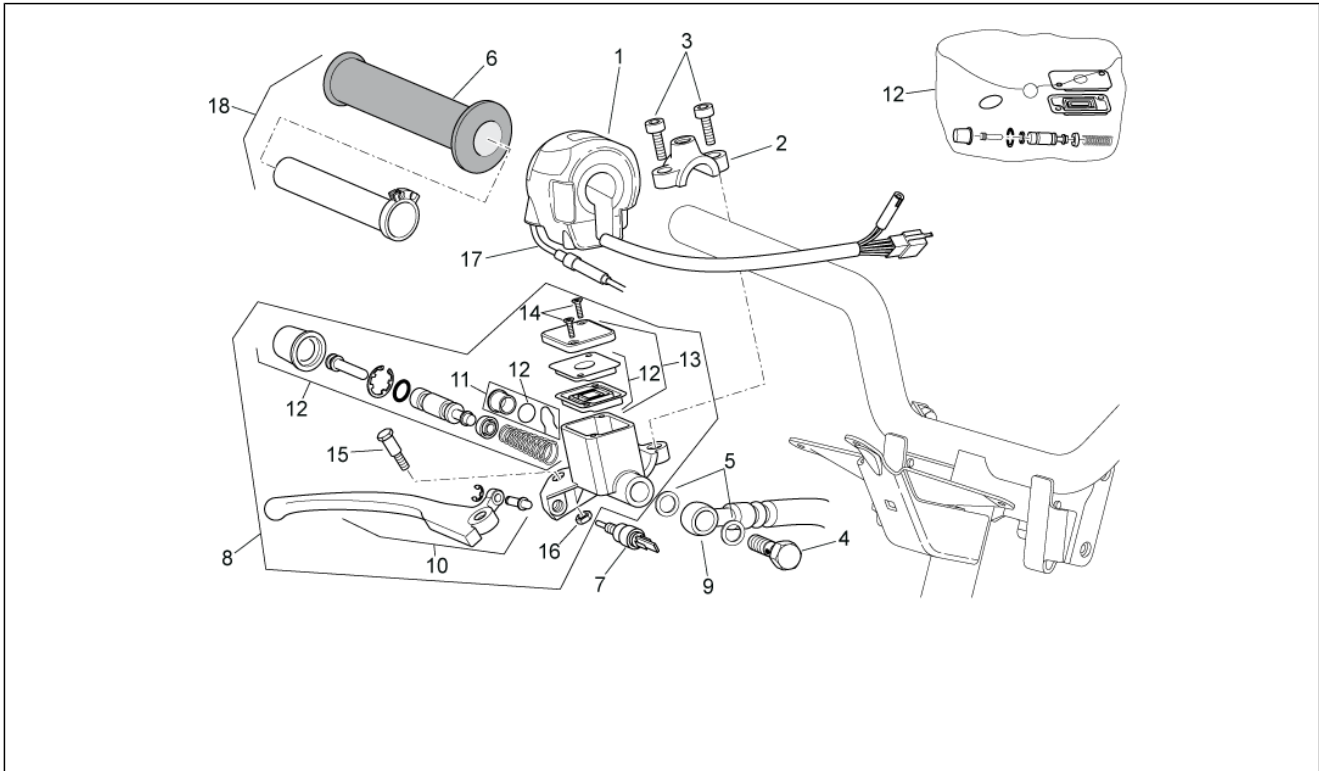
Pos.	Code	Description	Qty	Variants
1	AP8218638	Handlebar w phor ctng.	1	
2	AP8202394	RH rearview mirror	1	
3	AP8202395	LH rearview mirror	1	
4	AP8268250	Rearview mirror base	2	
5	AP8150086	Hex socket screw	1	
6	AP8150020	Washer 10,5x21x2*	1	
7	AP8152301	Self-locking nut	1	
8	AP8152290	Screw w/ flange M8x40	1	
9	AP8152300	Self-locking nut M8	1	
10	AP8102671	Plastic rivet	1	
11	AP8152477	screw	1	
12	AP8150107	Hex socket screw M8x30	1	

<b>Group</b>	FRAME
<b>Code</b>	28.18
<b>Description</b>	LH Controls
<b>Service</b>	1



Pos.	Code	Description	Qty	Variants
1	AP8224619	LH lights selector	1	<b>Technical Specifications:</b> Injection Version (C361M)[ie]
1	AP8224639	LH lights selector	1	<b>Technical Specifications:</b> Carburetor Version (C364M)[carb]
2	AP8213382	LH U-bolt	1	<b>Technical Specifications:</b> Grimeca sign[gr]
2	AP8213580	LH U-bolt	1	<b>Technical Specifications:</b> HT sign[ht]
3	AP8213299	Cap screw	2	<b>Technical Specifications:</b> Grimeca sign[gr]
3	AP8213582	Cap screw	2	<b>Technical Specifications:</b> HT sign[ht]
4	AP8113003	Oil pipe screw *	1	
5	AP8113004	Washer 10x14x1,6*	2	
6	AP8118699	Handgrip pair, black	1	
7	AP8127305	stop Button	1	
8	AP8213549	Rear master cylinder	1	<b>Technical Specifications:</b> Grimeca sign[gr]
8	AP8213559	Rear master cylinder D.12,7	1	<b>Technical Specifications:</b> HT sign[ht]
9	AP8213548	Rear brake hose	1	
10	AP8213601	Lever assy	1	<b>Technical Specifications:</b> HT sign[ht]
10	AP8590035	Lever assy (GRIMECA)	1	<b>Technical Specifications:</b> Grimeca sign[gr]
11	AP8213455	Master cyl.level window, assy	1	<b>Technical Specifications:</b> Grimeca sign[gr]
12	AP8213593	Pump revision kit	1	<b>Technical Specifications:</b> HT sign[ht]
12	AP8590037	Pump revision kit	1	<b>Technical Specifications:</b> Grimeca sign[gr]
13	AP8213595	Tank cover, assy	1	<b>Technical Specifications:</b> HT sign[ht]
13	AP8590038	Tank cover, assy	1	<b>Technical Specifications:</b> Grimeca sign[gr]
14	AP8213400	Pump cover screw	2	<b>Technical Specifications:</b> Grimeca sign[gr]
14	AP8213583	Pump cover screw	2	<b>Technical Specifications:</b> HT sign[ht]
15	AP8125757	Lever screw	1	<b>Technical Specifications:</b> Grimeca sign[gr]
15	AP8213584	Brake lever pin	1	<b>Technical Specifications:</b> HT sign[ht]
16	AP8213298	Nut	1	<b>Technical Specifications:</b> Grimeca sign[gr]
16	AP8213585	Nut	1	<b>Technical Specifications:</b> HT sign[ht]

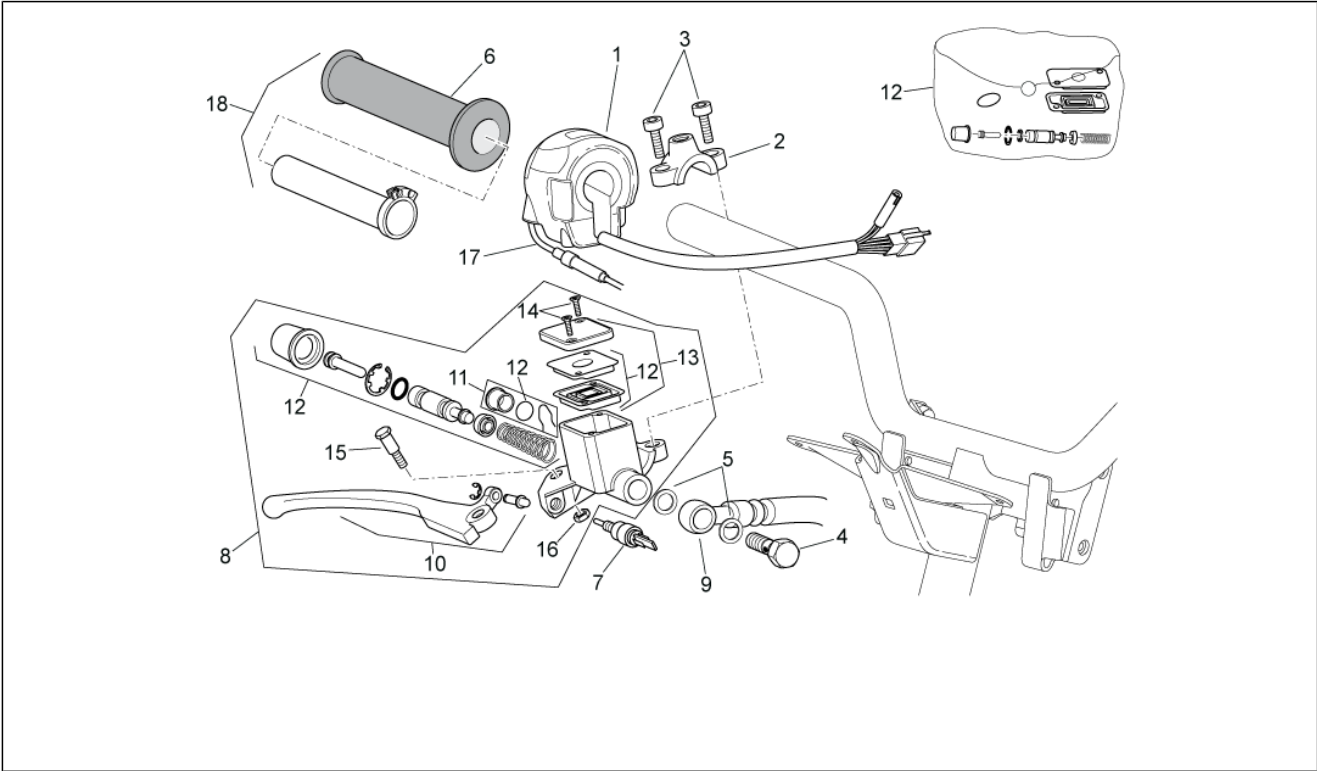
<b>Group</b>	FRAME
<b>Code</b>	28.19
<b>Description</b>	RH controls
<b>Service</b>	1



Pos.	Code	Description	Qty	Variants
1	860109	RH lights selector	1	<b>Technical Specifications:</b> Carburetor Version (C364M)[carb]
1	AP8224620	RH lights selector	1	<b>Technical Specifications:</b> Injection Version (C361M)[ie]
1	AP8224638	RH lights selector	1	<b>Country:</b> United States of America[USA] <b>Technical Specifications:</b> Carburetor Version (C364M)[carb]
2	AP8213581	RH U-bolt	1	<b>Technical Specifications:</b> HT sign[ht]
2	AP8590034	RH U-bolt	1	<b>Technical Specifications:</b> Grimeca sign[gr]
3	AP8213299	Cap screw	2	<b>Technical Specifications:</b> Grimeca sign[gr]
3	AP8213582	Cap screw	2	<b>Technical Specifications:</b> HT sign[ht]
4	AP8113003	Oil pipe screw *	1	
5	AP8113004	Washer 10x14x1,6*	2	
6	AP8118699	Handgrip pair, black	1	
7	AP8127305	stop Button	1	
8	AP8213547	Front master cilinder	1	<b>Technical Specifications:</b> Grimeca sign[gr]
8	AP8213558	Front master cilinder D.12,7	1	<b>Technical Specifications:</b> HT sign[ht]
9	AP8213546	Front brake hose	1	
10	AP8213602	Lever assy (Heng Tong)	1	<b>Technical Specifications:</b> HT sign[ht]
10	AP8590035	Lever assy (GRIMECA)	1	<b>Technical Specifications:</b> Grimeca sign[gr]
11	AP8213455	Master cyl.level window, assy	1	<b>Technical Specifications:</b> Grimeca sign[gr]
12	AP8213600	Pump revision kit	1	<b>Technical Specifications:</b> HT sign[ht]
12	AP8590037	Pump revision kit	1	<b>Technical Specifications:</b> Grimeca sign[gr]
13	AP8213598	Tank cover	1	<b>Technical Specifications:</b> HT sign[ht]
13	AP8590038	Tank cover, assy	1	<b>Technical Specifications:</b> Grimeca sign[gr]
14	AP8213400	Pump cover screw	2	<b>Technical Specifications:</b> Grimeca sign[gr]
14	AP8213583	Pump cover screw	2	<b>Technical Specifications:</b> HT sign[ht]
15	AP8125757	Lever screw	1	<b>Technical Specifications:</b> Grimeca sign[gr]
15	AP8213584	Brake lever pin	1	<b>Technical Specifications:</b> HT sign[ht]
16	AP8213298	Nut	1	<b>Technical Specifications:</b> Grimeca sign[gr]
16	AP8213585	Nut	1	<b>Technical Specifications:</b> HT sign[ht]

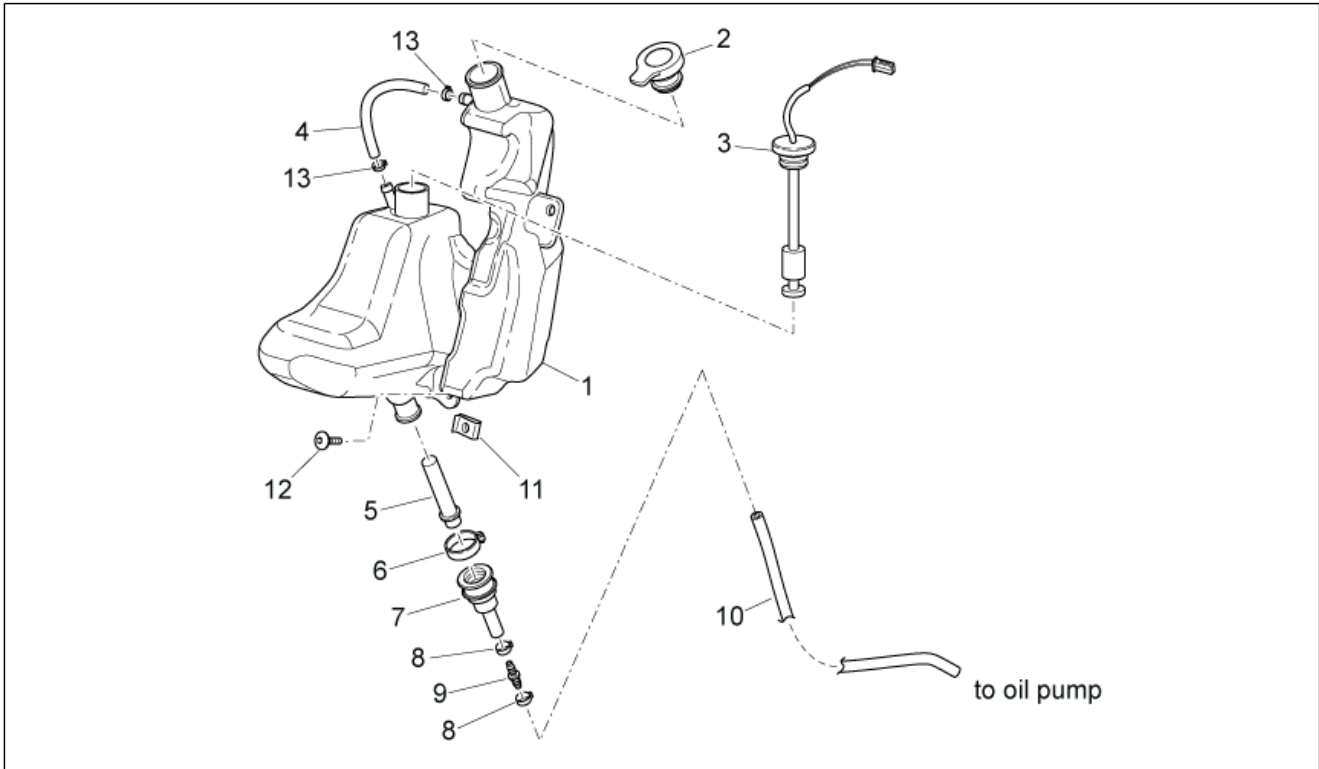


<b>Group</b>	FRAME
<b>Code</b>	28.19
<b>Description</b>	RH controls
<b>Service</b>	1



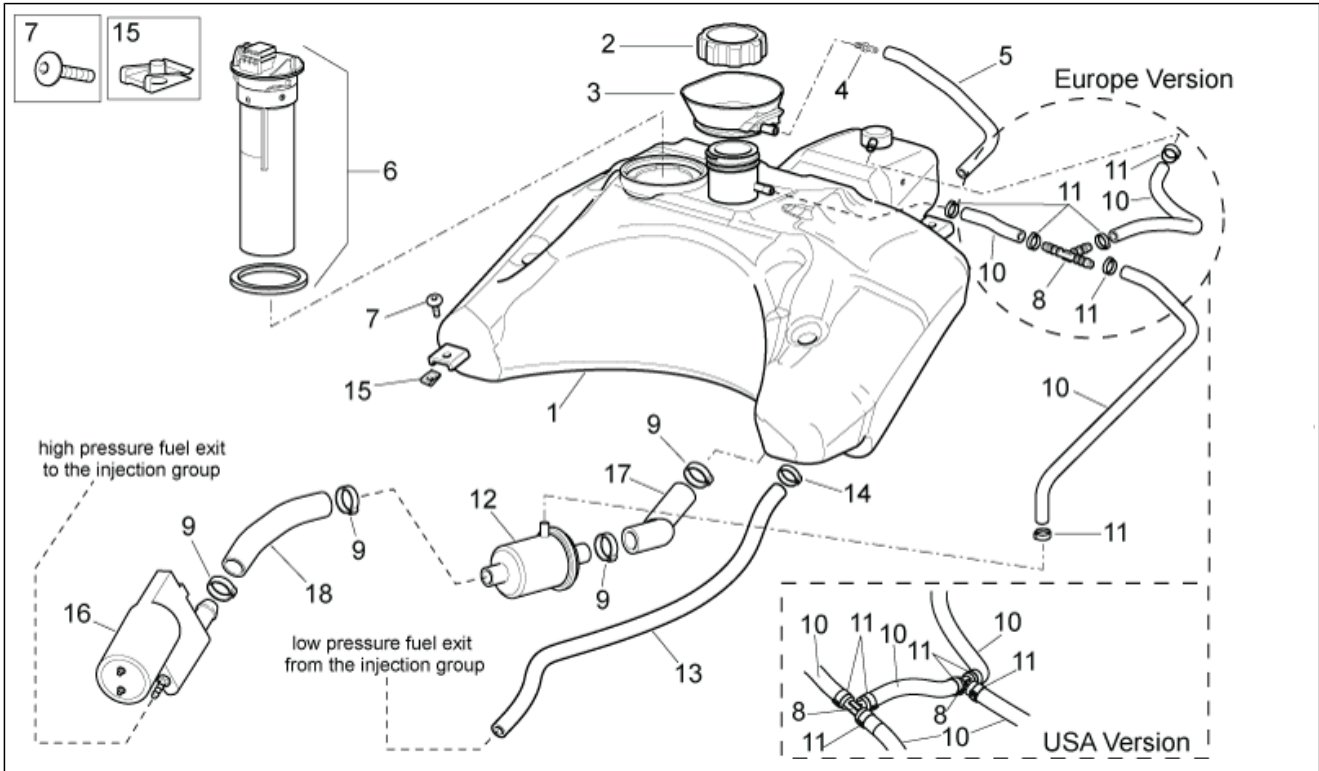
Pos.	Code	Description	Qty	Variants
17	AP8214239	Throttle cable	1	<b>Technical Specifications:</b> Injection Version (C361M)[ie]
17	AP8214241	Throttle cable	1	<b>Technical Specifications:</b> Carburetor Version (C364M)[carb]
18	AP8218639	Throttle with hand grip	1	

<b>Group</b>	FRAME
<b>Code</b>	28.20
<b>Description</b>	Oil tank
<b>Service</b>	1



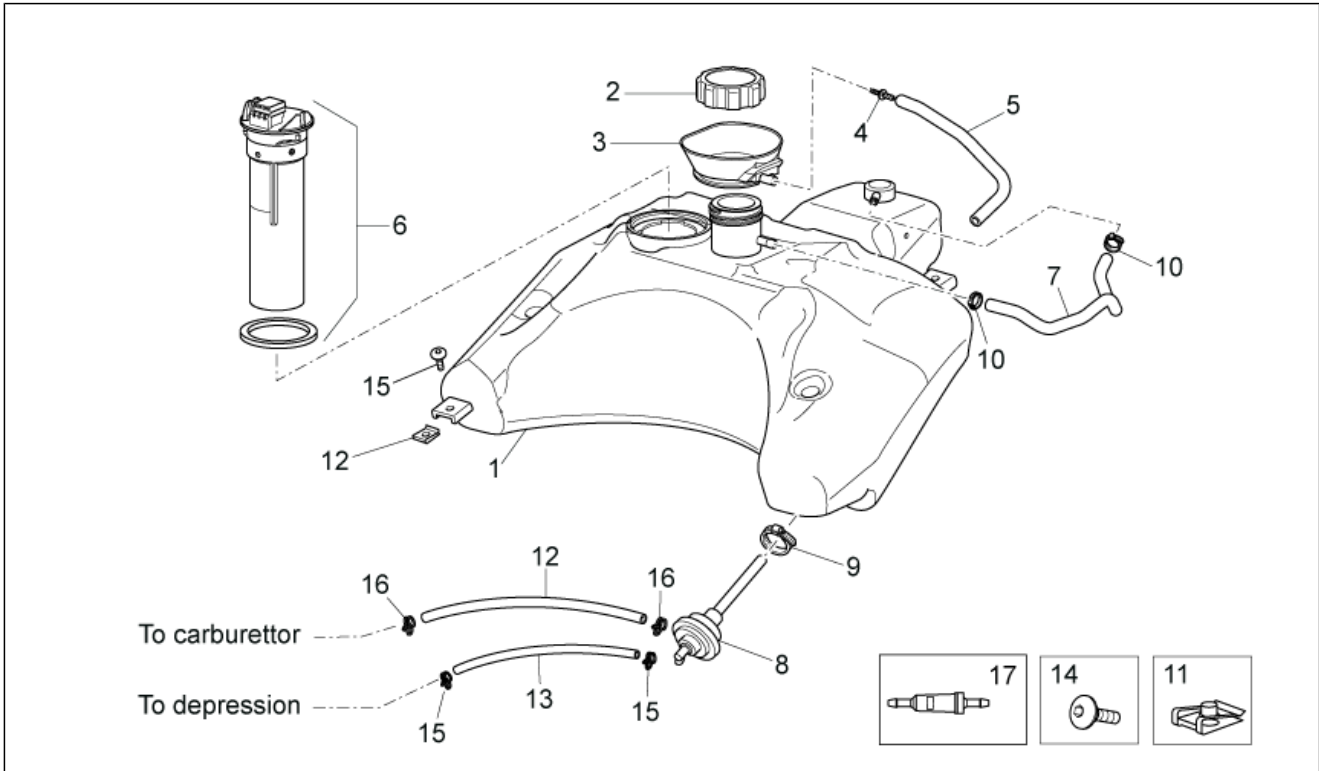
Pos.	Code	Description	Qty	Variants
1	AP8268037	Oil tank	1	
2	AP8220421	Oil filler cap	1	
3	AP8224644	Oil reserve indicator	1	
4	AP8220708	Oil pipe 6x10,5	1	
5	AP8102224	Mixer oil filter	1	
6	AP8101743	Hose clip D23,5x8*	1	
7	AP8102223	Rubber spacer *	1	
8	AP8201225	Hose clip D8,5x5,5	2	
9	AP8101944	2-way union	1	
10	AP8220402	pipe 5x9	1	<b>Technical Specifications:</b> Injection Version (C361M)[ie]
10	AP8220402	pipe 5x9	1	<b>Technical Specifications:</b> Carburetor Version (C364M)[carb]
11	AP8102375	Clip m5	1	
12	AP8152298	Screw w/ flange M5x16	1	
13	AP8120446	Hose clip, green D11x6,6x1	2	

<b>Group</b>	FRAME
<b>Code</b>	28.21
<b>Description</b>	Fuel tank I
<b>Service</b>	1



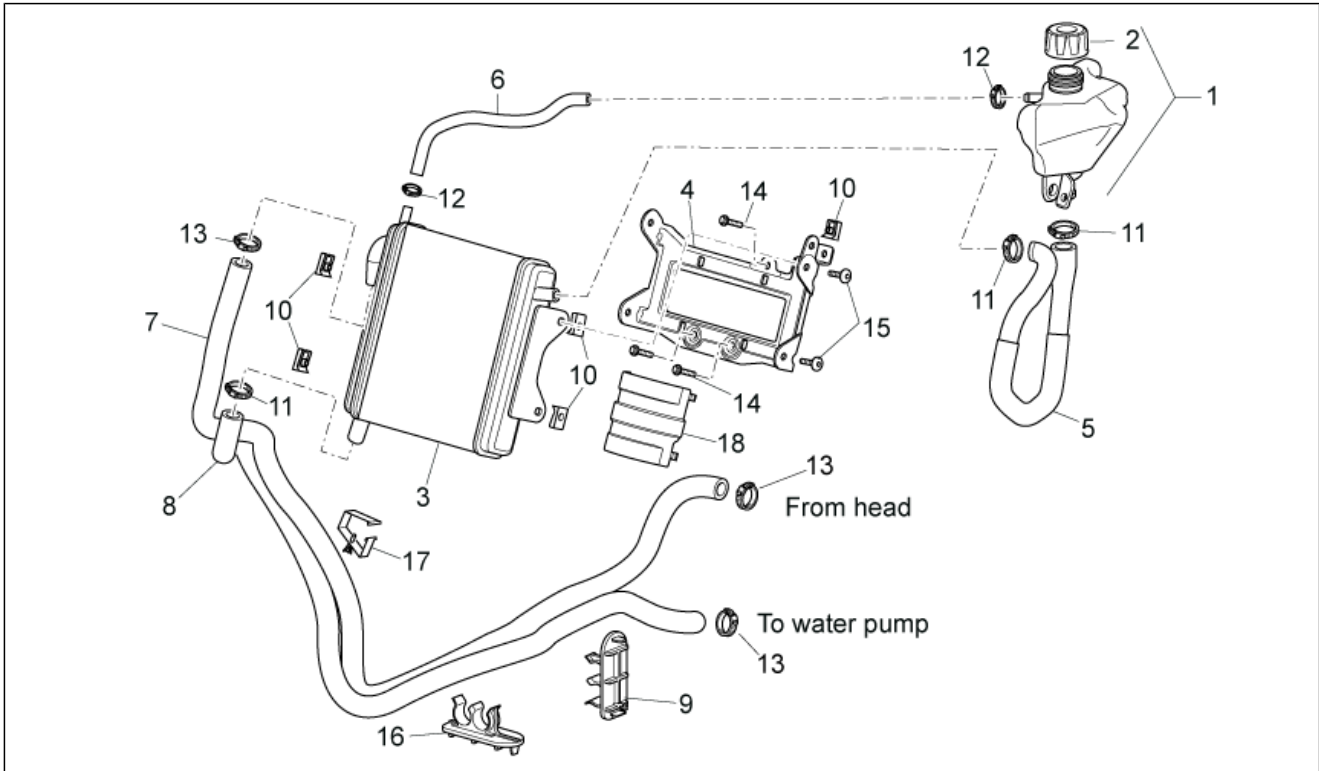
Pos.	Code	Description	Qty	Variants
1	856325	Fuel tank	1	Year:2008[8] Country:United States of America[USA] Technical Specifications:Injection Version (C361M)[ie]
1	AP8268036	Fuel tank	1	Country:Switzerland[CH], I-B-GR-D[EU], Japan[J] Technical Specifications:Injection Version (C361M)[ie]
2	AP8144343	Fuel filler cap	1	Technical Specifications:Injection Version (C361M)[ie]
3	AP8144187	Fuel collector rubber	1	Technical Specifications:Injection Version (C361M)[ie]
4	AP8101944	2-way union	1	Technical Specifications:Injection Version (C361M)[ie]
5	AP8220263	Breather pipe 4x8	1	Technical Specifications:Injection Version (C361M)[ie]
6	AP8224664	Fuel level sensor	1	Technical Specifications:Injection Version (C361M)[ie]
7	AP8152298	Screw w/ flange M5x16	3	Technical Specifications:Injection Version (C361M)[ie]
8	AP8144303	3-way union	1	Technical Specifications:Injection Version (C361M)[ie]
9	AP8102786	Hose clip 20x8	4	Technical Specifications:Injection Version (C361M)[ie]
10	856062	pipe SAE 30 d.11,11x4,8	3	Year:2008[8] Country:United States of America[USA] Technical Specifications:Injection Version (C361M)[ie]
10	AP8120952	Fuel pipe 5,5x10	3	Country:Switzerland[CH], I-B-GR-D[EU], Japan[J] Technical Specifications:Injection Version (C361M)[ie]
11	AP8102738	Hose clamp	6	Technical Specifications:Injection Version (C361M)[ie]
12	AP8202402	Fuel filter	1	Technical Specifications:Injection Version (C361M)[ie]
13	CM223702	High pressure pipe 7X13	1	Technical Specifications:Injection Version (C361M)[ie]
14	AP8102764	White hose clip d.13x6	1	Technical Specifications:Injection Version (C361M)[ie]
15	AP8102375	Clip m5	3	Technical Specifications:Injection Version (C361M)[ie]
16	854933	Fuel pump	1	Technical Specifications:Injection Version (C361M)[ie]
17	AP8220702	Fuel pipe	1	Technical Specifications:Injection Version (C361M)[ie]
18	CM223702	High pressure pipe 7X13	1	Technical Specifications:Injection Version (C361M)[ie]

<b>Group</b>	FRAME
<b>Code</b>	28.22
<b>Description</b>	Fuel tank II
<b>Service</b>	1



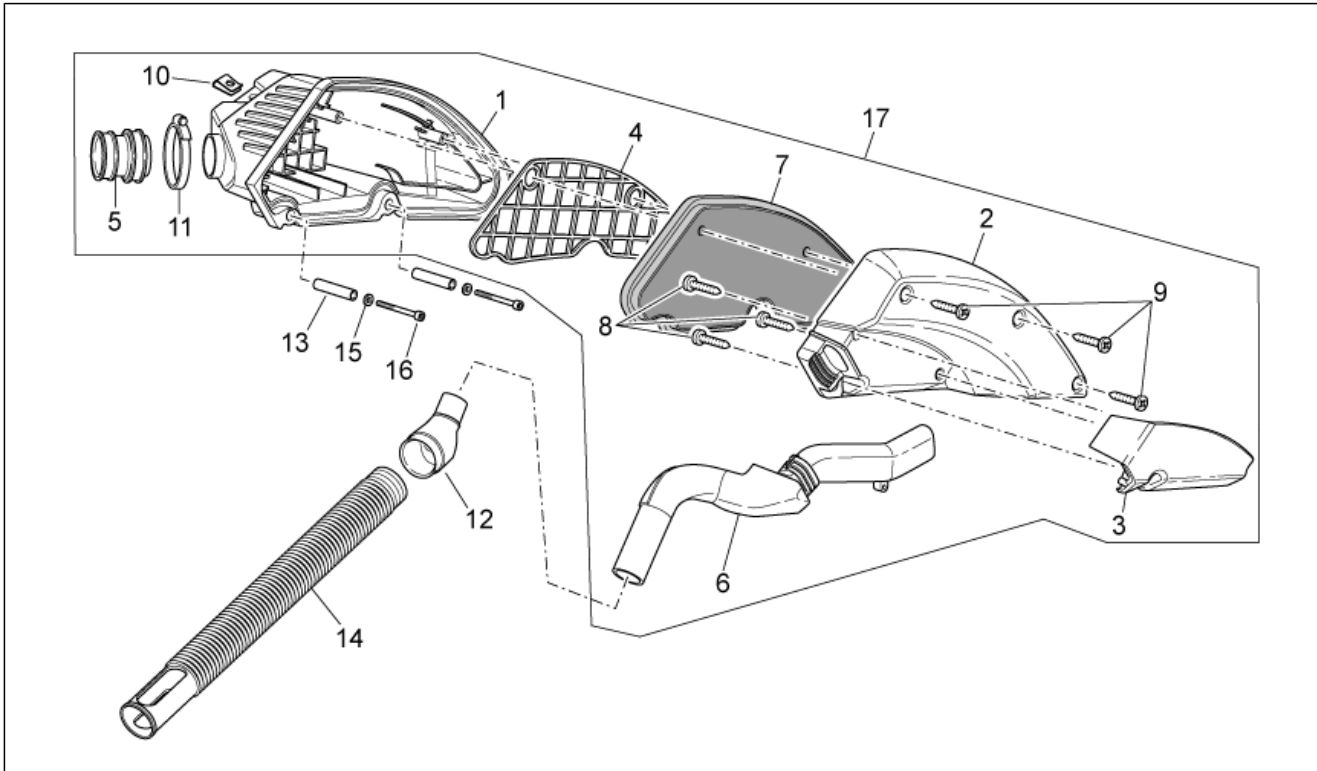
Pos.	Code	Description	Qty	Variants
1	AP8268174	Fuel tank	1	<b>Technical Specifications:</b> Carburetor Version (C364M)[carb]
2	AP8144343	Fuel filler cap	1	<b>Technical Specifications:</b> Carburetor Version (C364M)[carb]
3	AP8144187	Fuel collector rubber	1	<b>Technical Specifications:</b> Carburetor Version (C364M)[carb]
4	AP8101944	2-way union	1	<b>Technical Specifications:</b> Carburetor Version (C364M)[carb]
5	AP8220263	Breather pipe 4x8	1	<b>Technical Specifications:</b> Carburetor Version (C364M)[carb]
6	AP8224664	Fuel level sensor	1	<b>Technical Specifications:</b> Carburetor Version (C364M)[carb]
7	AP8120952	Fuel pipe 5,5x10	1	<b>Technical Specifications:</b> Carburetor Version (C364M)[carb]
8	AP8201824	Vacuum fuel tap	1	<b>Technical Specifications:</b> Carburetor Version (C364M)[carb]
9	AP8101573	Hose clamp D16-24x8*	1	<b>Technical Specifications:</b> Carburetor Version (C364M)[carb]
10	AP8102738	Hose clamp	2	<b>Technical Specifications:</b> Carburetor Version (C364M)[carb]
11	AP8102375	Clip m5	3	<b>Technical Specifications:</b> Carburetor Version (C364M)[carb]
12	AP8220402	pipe 5x9	1	<b>Technical Specifications:</b> Carburetor Version (C364M)[carb]
13	AP8220263	Breather pipe 4x8	1	<b>Technical Specifications:</b> Carburetor Version (C364M)[carb]
14	AP8152298	Screw w/ flange M5x16	3	<b>Technical Specifications:</b> Carburetor Version (C364M)[carb]
15	AP8120179	Hose clamp D8	2	<b>Technical Specifications:</b> Carburetor Version (C364M)[carb]
16	AP8102811	Hose clamp D9,6	2	<b>Technical Specifications:</b> Carburetor Version (C364M)[carb]
17	624522	Vacuum filter	1	<b>Technical Specifications:</b> Carburetor Version (C364M)[carb]

<b>Group</b>	FRAME
<b>Code</b>	28.23
<b>Description</b>	Cooling system
<b>Service</b>	1



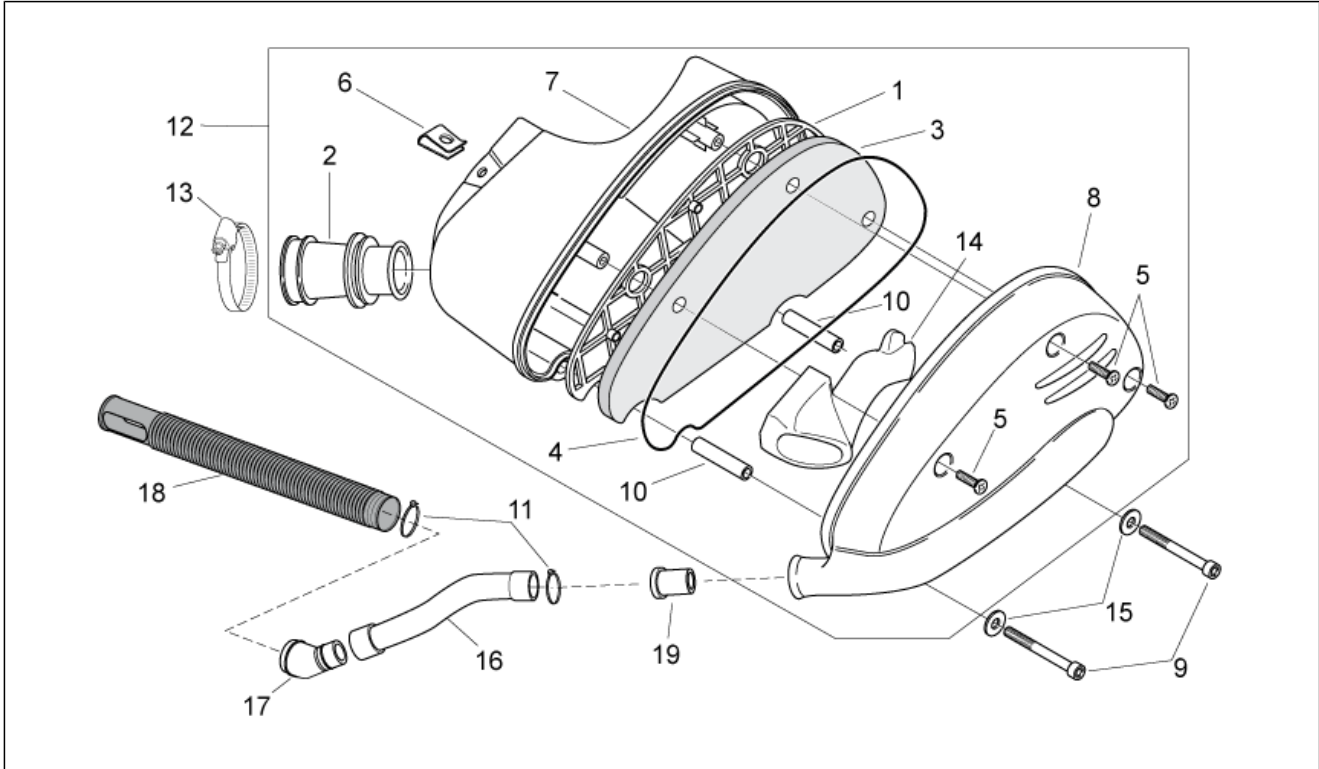
Pos.	Code	Description	Qty	Variants
1	AP8268259	Expansion tank	1	
2	AP8570122	Expansion tank plug	1	
3	AP8202406	Water cooler	1	
4	AP8234232	Water cooler support	1	
5	AP8144691	Cooler-expansion tank pipe	1	
6	AP8144506	Breather pipe 7,5X3,5	1	
7	AP8220665	Water cooler-head tube	1	<b>Technical Specifications:</b> Injection Version (C361M)[ie]
7	AP8220668	Water cooler-head tube	1	<b>Technical Specifications:</b> Carburetor Version (C364M)[carb]
8	AP8220664	Water cooler-pump tube	1	
9	AP8234218	Water tubes holder	1	
10	AP8102375	Clip m5	8	
11	AP8102349	White hose clip D17,5x8	2	
12	AP8102765	White hose clip D.13,5x6	2	
13	AP8102732	Hose clamp 17-25	3	
14	598839	Screw w/ flange	3	
15	AP8152302	Screw w/ flange M5x12	4	
16	AP8234218	Water tubes holder	1	
17	AP8134460	Water tubes holder	1	
18	AP8268254	Wiring cover	1	

<b>Group</b>	FRAME
<b>Code</b>	28.24
<b>Description</b>	Air box I
<b>Service</b>	1



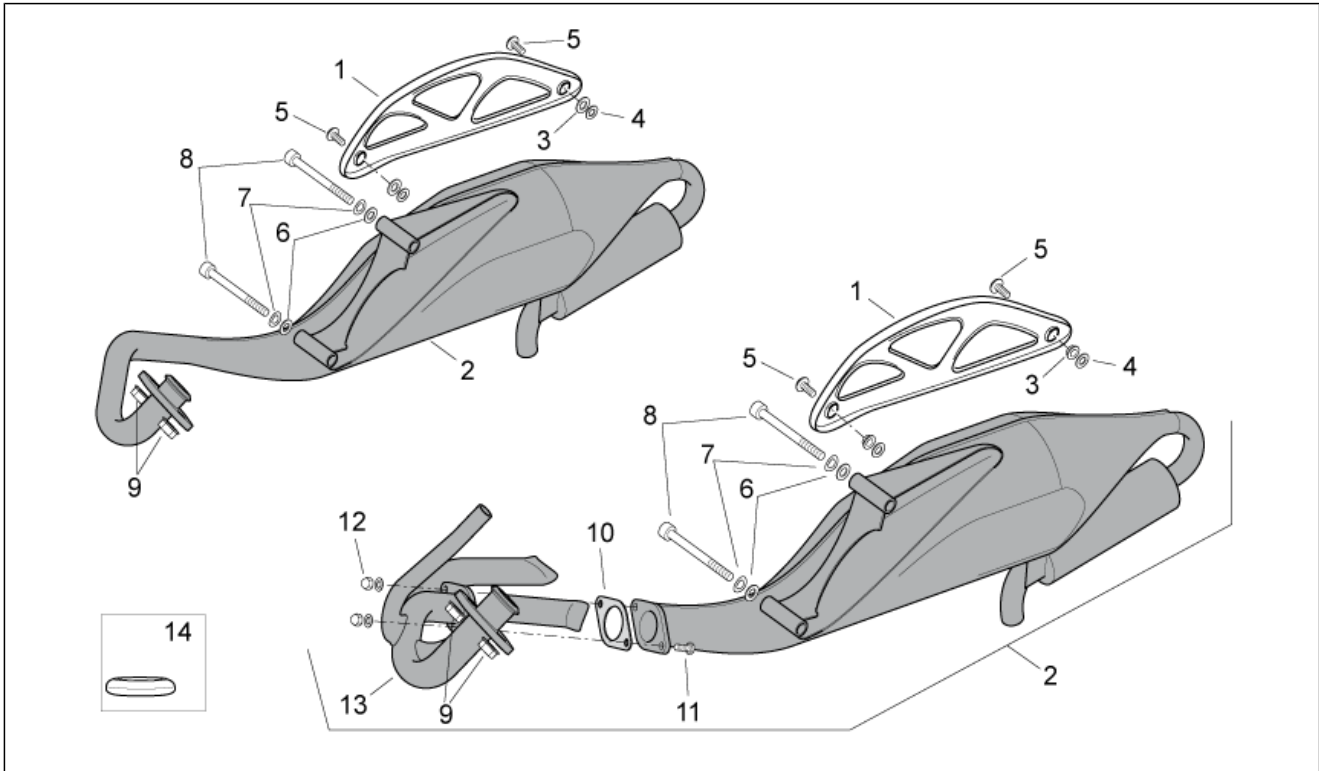
Pos.	Code	Description	Qty	Variants
1	AP8268325	Filter housing base	1	<b>Technical Specifications:</b> Injection Version (C361M)[ie]
2	AP8268326	Filter housing cover	1	<b>Technical Specifications:</b> Injection Version (C361M)[ie]
3	AP8268327	Plug	1	<b>Technical Specifications:</b> Injection Version (C361M)[ie]
4	AP8268328	Filter support guard	1	<b>Technical Specifications:</b> Injection Version (C361M)[ie]
5	AP8220706	Carburettor-air box hose	1	<b>Technical Specifications:</b> Injection Version (C361M)[ie]
6	AP8220707	Intake hose	1	<b>Technical Specifications:</b> Injection Version (C361M)[ie]
7	AP8202443	Air filter	1	<b>Technical Specifications:</b> Injection Version (C361M)[ie]
8	AP8150444	Self-tapping screw	4	<b>Technical Specifications:</b> Injection Version (C361M)[ie]
9	AP8152329	Phillips screw, SWP M5x20	3	<b>Technical Specifications:</b> Injection Version (C361M)[ie]
10	AP8102375	Clip m5	1	<b>Technical Specifications:</b> Injection Version (C361M)[ie]
11	AP8220104	Hose clamp D25-45x8*	1	<b>Technical Specifications:</b> Injection Version (C361M)[ie]
12	AP8202444	Joint	1	<b>Technical Specifications:</b> Injection Version (C361M)[ie]
13	AP8121984	Spacer	2	<b>Technical Specifications:</b> Injection Version (C361M)[ie]
14	AP8220605	Pipe	1	<b>Technical Specifications:</b> Injection Version (C361M)[ie]
15	AP8150014	Washer 6,4x12,5*	2	<b>Technical Specifications:</b> Injection Version (C361M)[ie]
16	AP8150157	Hex socket screw M6x60	2	<b>Technical Specifications:</b> Injection Version (C361M)[ie]
17	AP8268027	Air box cpl.	1	<b>Technical Specifications:</b> Injection Version (C361M)[ie]

<b>Group</b>	FRAME
<b>Code</b>	28.25
<b>Description</b>	Air box II
<b>Service</b>	1



Pos.	Code	Description	Qty	Variants
1	AP8249582	Filter support guard	1	<b>Technical Specifications:</b> Carburetor Version (C364M)[carb]
2	AP8220587	Carburettor flange	1	<b>Technical Specifications:</b> Carburetor Version (C364M)[carb]
3	AP8202302	Air filter	1	<b>Technical Specifications:</b> Carburetor Version (C364M)[carb]
4	AP8120593	Gasket D4	1	<b>Technical Specifications:</b> Carburetor Version (C364M)[carb]
5	AP8152329	Phillips screw, SWP M5x20	3	<b>Technical Specifications:</b> Carburetor Version (C364M)[carb]
6	AP8102375	Clip m5	1	<b>Technical Specifications:</b> Carburetor Version (C364M)[carb]
7	AP8249298	Filter housing body	1	<b>Technical Specifications:</b> Carburetor Version (C364M)[carb]
8	AP8249299	Filter housing cover	1	<b>Technical Specifications:</b> Carburetor Version (C364M)[carb]
9	AP8150157	Hex socket screw M6x60	2	<b>Technical Specifications:</b> Carburetor Version (C364M)[carb]
10	AP8121984	Spacer	2	<b>Technical Specifications:</b> Carburetor Version (C364M)[carb]
11	AP8120416	Black hose 178x4	2	<b>Technical Specifications:</b> Carburetor Version (C364M)[carb]
12	AP8258241	Air box cpl.	1	<b>Technical Specifications:</b> Carburetor Version (C364M)[carb]
13	AP8220104	Hose clamp D25-45x8*	1	<b>Technical Specifications:</b> Carburetor Version (C364M)[carb]
14	AP8220608	Volume air box hose	1	<b>Technical Specifications:</b> Carburetor Version (C364M)[carb]
15	AP8150014	Washer 6,4x12,5*	2	<b>Technical Specifications:</b> Carburetor Version (C364M)[carb]
16	AP8220712	Intake hose	1	<b>Technical Specifications:</b> Carburetor Version (C364M)[carb]
17	AP8202444	Joint	1	<b>Technical Specifications:</b> Carburetor Version (C364M)[carb]
18	AP8220605	Pipe	1	<b>Technical Specifications:</b> Carburetor Version (C364M)[carb]
19	AP8220647	Orifice	1	<b>Technical Specifications:</b> Carburetor Version (C364M)[carb]

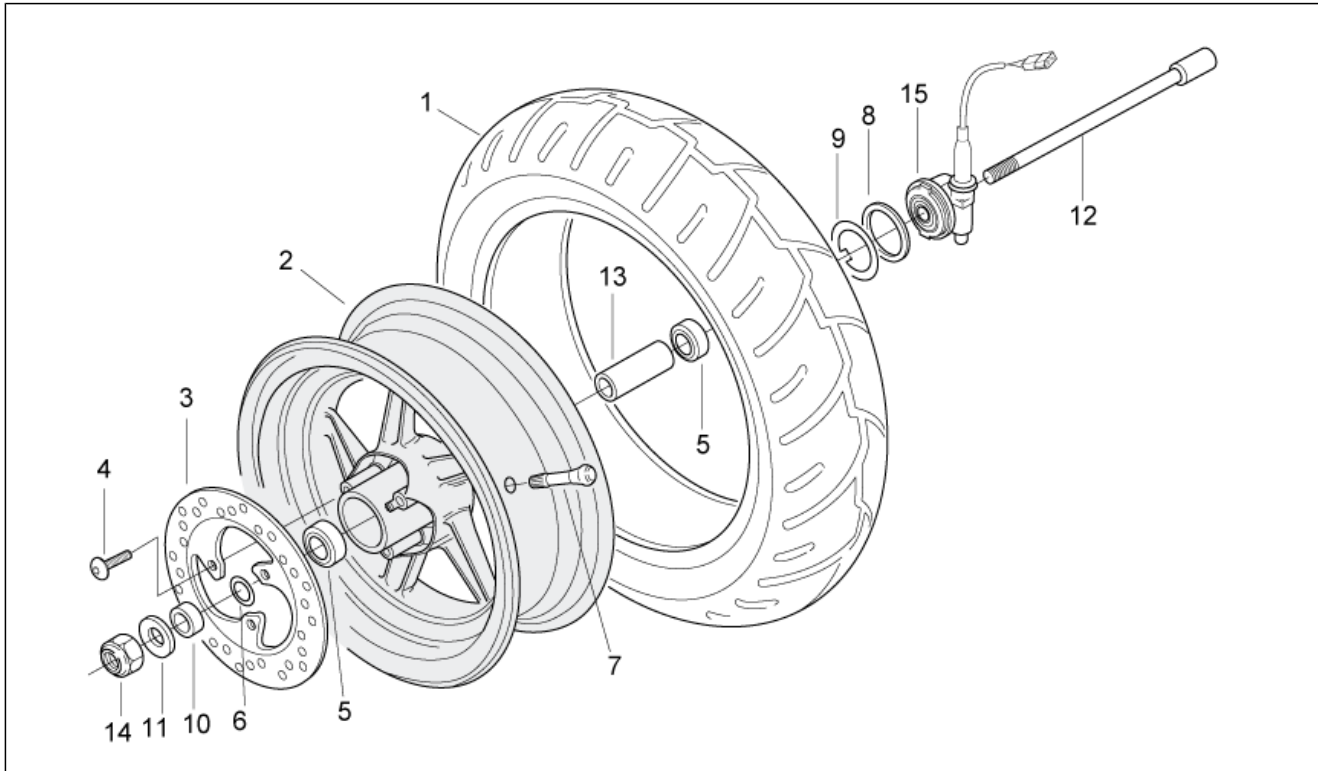
<b>Group</b>	FRAME
<b>Code</b>	28.28
<b>Description</b>	Exhaust pipe
<b>Service</b>	1



Pos.	Code	Description	Qty	Variants
1	AP8219452	Steel exhaust pipe prot.	1	
2	856230	Silencer	1	<b>Technical Specifications:</b> Limited version 25Km/h[25km], Limited version 30 Km/h[30km], Injection Version (C361M)[ie]
2	856328	Silencer	1	<b>Year:</b> 2008[8] <b>Country:</b> United States of America[USA] <b>Technical Specifications:</b> Injection Version (C361M)[ie]
2	AP8219580	Silencer	1	<b>Technical Specifications:</b> Injection Version (C361M)[ie]
2	AP8219589	Silencer	1	<b>Technical Specifications:</b> Carburetor Version (C364M)[carb]
3	AP8150015	Washer 6,6x18x1,6*	2	
4	AP8221297	Insulating washer	2	
5	AP8152246	Screw w/ flange M6x16	2	
6	AP8150017	Washer 8,4x16x1,6	2	
7	AP8150376	Washer 8,5x15x0,8	2	
8	AP8150354	Hex socket screw M8x85*	2	
9	AP8221344	Nut	2	
10	AP8219530	Exhaust pipe flange gasket	1	<b>Technical Specifications:</b> Carburetor Version (C364M)[carb]
11	AP8219531	screw	2	<b>Technical Specifications:</b> Carburetor Version (C364M)[carb]
12	AP8219532	Nut	2	<b>Technical Specifications:</b> Carburetor Version (C364M)[carb]
13	860296	Exhaust pipe leading pipe	1	<b>Technical Specifications:</b> Carburetor Version (C364M)[carb], CH version free speed[kit]
13	AP8219605	Manifold	1	<b>Country:</b> I-B-GR-D[EU] <b>Technical Specifications:</b> Carburetor Version (C364M)[carb], Standard version[std]
14	AP8219612	Exhaust pipe gasket	1	

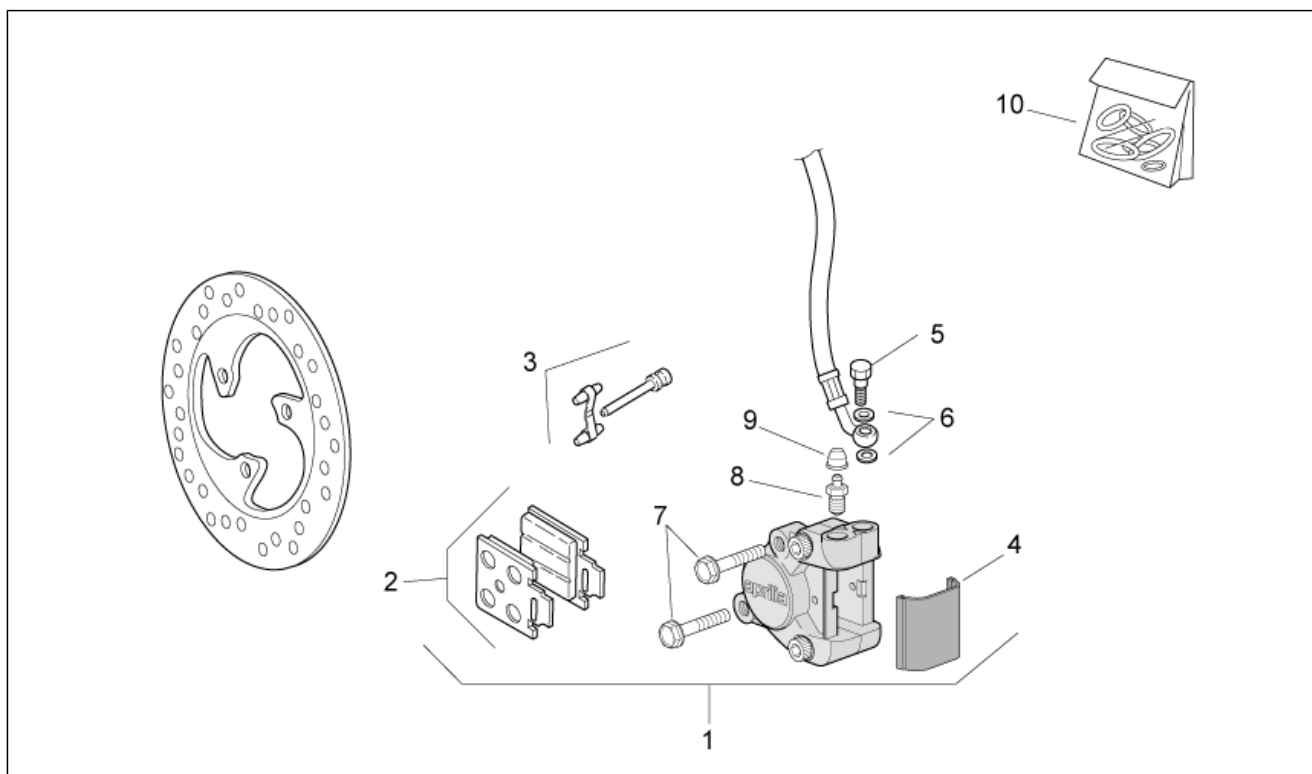


<b>Group</b>	FRAME
<b>Code</b>	28.29
<b>Description</b>	Front wheel
<b>Service</b>	1



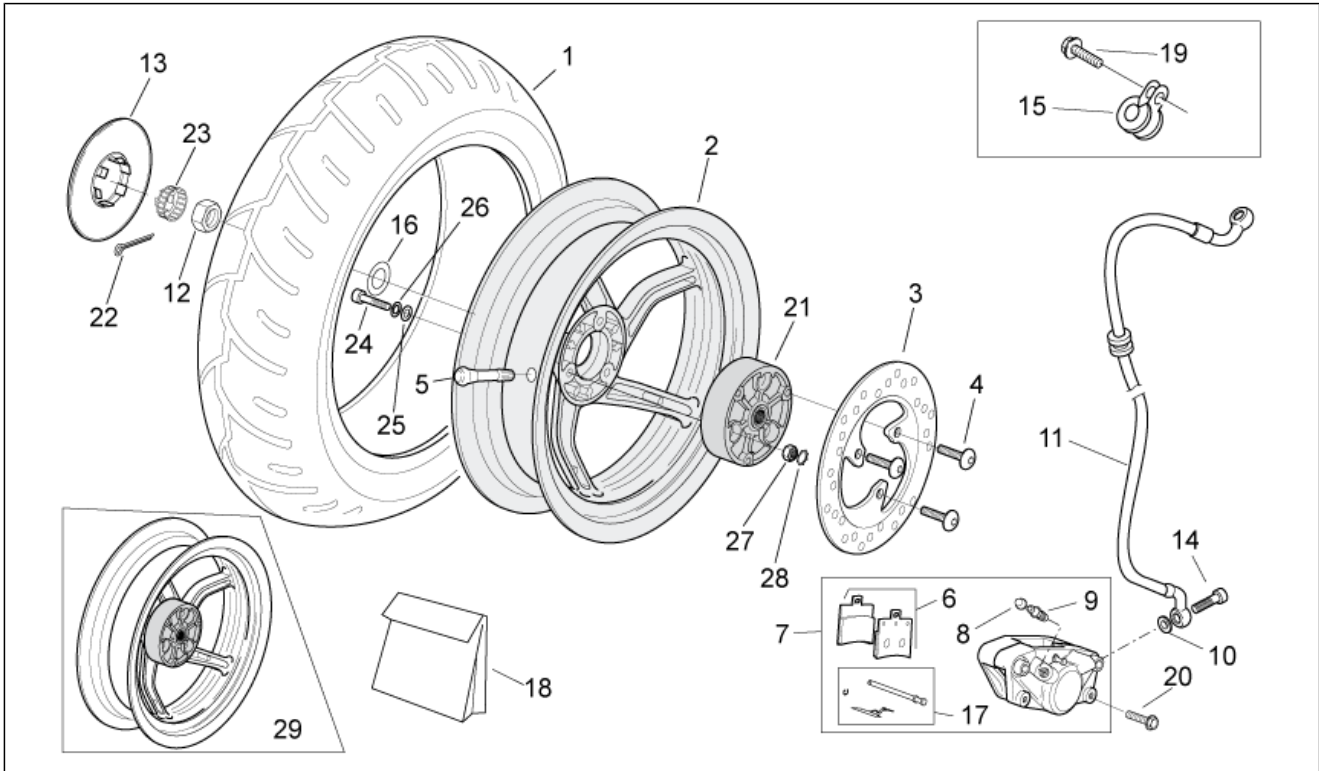
Pos.	Code	Description	Qty	Variants
1	AP8209085	Front tyre	1	
2	AP8128216	Front wheel, silver	1	<b>Year:</b> 2008[8] <b>Vehicle colour:</b> Code Orange (s.t.858613)[cod], Silver Crowd (s.t.858612)[cro], Diablo Black (s.t.858611)[dia08], Spain's N°1 (S.T.856881)[spain8], Talmacsi (s.t.860954)[tal], Aprilia White 2008 (s.t.858614)[white08]
2	AP8208708	Front wheel, blue	1	<b>Year:</b> 2004[4], 2005[5], 2006[6], 2007[7] <b>Technical Specifications:</b> Grimeca sign[gr]
2	AP8208922	Front wheel, blue	1	<b>Year:</b> 2004[4], 2005[5], 2006[6], 2007[7] <b>Technical Specifications:</b> ZNL sign[zn]
2	AP8208922	Front wheel, blue	1	<b>Year:</b> 2008[8] <b>Vehicle colour:</b> Spain's N°1 (S.T.856881)[spain8]
2	AP8208947	Front wheel, black	1	<b>Year:</b> 2009[9] <b>Vehicle colour:</b> Superbike Replica (s.t.895057)[sbk]
3	AP8213231	Brake disc D190	1	
4	AP8152056	Hex socket screw M8x30	3	
5	AP8225123	Bearing	2	
6	AP8125782	Gasket ring	1	
7	AP8201546	Tubeless tyre valve	1	
8	AP8125743	Gasket ring D40x50x4	1	
9	AP8120865	Drive key	1	
10	AP8221119	Front wheel spacer	1	
11	AP8152018	Washer 12,2x22x2	1	
12	AP8225271	Front wheel spindle	1	
13	AP8225323	Front wheel ins.spacer	1	
14	AP8150373	Low self-locking nut M12x1,25	1	
15	AP8202403	Speed sensor	1	

<b>Group</b>	FRAME
<b>Code</b>	28.30
<b>Description</b>	Front brake caliper
<b>Service</b>	1



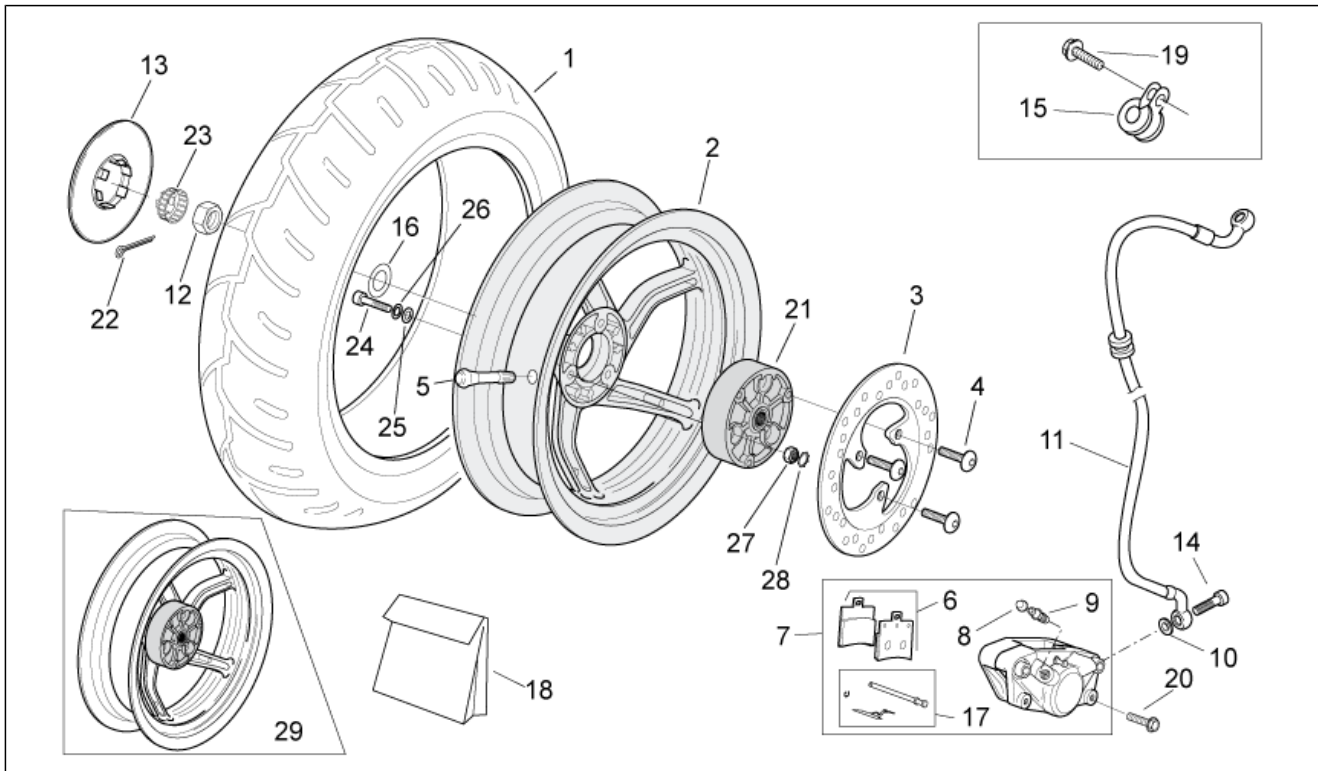
Pos.	Code	Description	Qty	Variants
1	AP8113577	Front brake caliper, gold D32	1	Technical Specifications:Grimeca sign[gr]
1	AP8133735	Front brake caliper, gold D32	1	Technical Specifications:HT sign[ht]
2	AP8113638	Pads pair	1	Technical Specifications:Grimeca sign[gr]
2	AP8213571	Pads pair	1	Technical Specifications:HT sign[ht]
3	AP8213227	Pin+Brake spring	1	Technical Specifications:Grimeca sign[gr]
3	AP8213572	Pin+Brake spring	1	Technical Specifications:HT sign[ht]
4	AP8113640	Brake caliper cover	1	Technical Specifications:Grimeca sign[gr]
4	AP8213573	Brake caliper cover	1	Technical Specifications:HT sign[ht]
5	AP8113003	Oil pipe screw *	1	
6	AP8113004	Washer 10x14x1,6*	2	
7	AP8152289	Screw w/ flange	2	
8	AP8113006	Air bleed valve	1	Technical Specifications:Grimeca sign[gr]
8	AP8213574	Air bleed valve	1	Technical Specifications:HT sign[ht]
9	AP8113005	Bleed valve cap	1	Technical Specifications:Grimeca sign[gr]
9	AP8213575	Bleed valve cap	1	Technical Specifications:HT sign[ht]
10	AP8113122	Brake caliper rev. kit	1	Technical Specifications:Grimeca sign[gr]
10	AP8213576	Brake caliper rev. kit	1	Technical Specifications:HT sign[ht]

<b>Group</b>	FRAME
<b>Code</b>	28.31
<b>Description</b>	Rear wheel - disc brake
<b>Service</b>	1



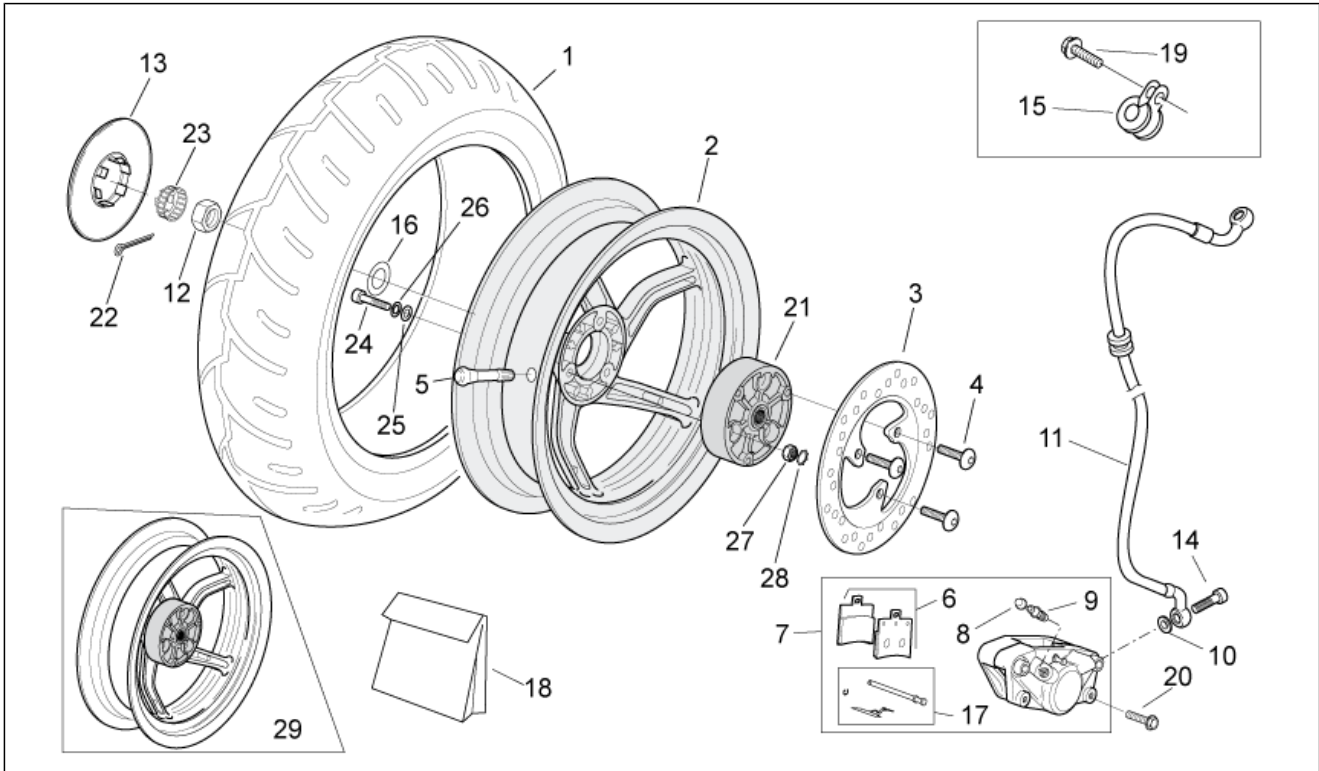
Pos.	Code	Description	Qty	Variants
1	AP8209085	Front tyre	1	
2	AP8128218	Rear wheel, silver	1	<b>Year:</b> 2008[8] <b>Vehicle colour:</b> Code Orange (s.t.858613)[cod], Silver Crowd (s.t.858612)[cro], Diablo Black (s.t.858611)[dia08], Spain's N°1 (S.T.856881)[spain8], Talmacsi (s.t.860954)[tal], Aprilia White 2008 (s.t.858614)[white08] <b>Technical Specifications:</b> ZNL sign[znl]
2	AP8208906	Rear wheel, blue	1	<b>Technical Specifications:</b> Grimeca sign[gr]
2	AP8208923	Rear wheel, blue	1	<b>Year:</b> 2007[7] <b>Technical Specifications:</b> ZNL sign[znl]
2	AP8208923	Rear wheel, blue	1	<b>Year:</b> 2004[4], 2005[5], 2006[6] <b>Technical Specifications:</b> ZNL sign[znl]
3	AP8133601	Rear brake disc	1	
4	AP8152288	Screw w/ flange	3	<b>Year:</b> 2008[8]
4	AP8152288	Screw w/ flange	3	<b>Year:</b> 2007[7]
4	AP8152504	Special TE screw M8x25	3	<b>Year:</b> 2007[7]
4	AP8152504	Special TE screw M8x25	3	<b>Year:</b> 2004[4], 2005[5], 2006[6]
5	AP8201546	Tubeless tyre valve	1	
6	AP8113869	Pads pair	1	<b>Technical Specifications:</b> Grimeca sign[gr]
6	AP8213577	Pads pair	1	<b>Technical Specifications:</b> HT sign[ht]
7	AP8213522	Rear brake caliper, gold D30	1	<b>Technical Specifications:</b> Grimeca sign[gr]
7	AP8213557	Rear brake caliper, gold D30	1	<b>Technical Specifications:</b> HT sign[ht]
8	AP8113005	Bleed valve cap	1	<b>Technical Specifications:</b> Grimeca sign[gr]
8	AP8213575	Bleed valve cap	1	<b>Technical Specifications:</b> HT sign[ht]
9	AP8113006	Air bleed valve	1	<b>Technical Specifications:</b> Grimeca sign[gr]
9	AP8213574	Air bleed valve	1	<b>Technical Specifications:</b> HT sign[ht]
10	AP8113004	Washer 10x14x1,6*	2	
11	AP8213548	Rear brake hose	1	
12	563728	Nut M16x13	1	<b>Year:</b> 2007[7]
12	563728	Nut M16x13	1	<b>Year:</b> 2004[4], 2005[5], 2006[6]

<b>Group</b>	FRAME
<b>Code</b>	28.31
<b>Description</b>	Rear wheel - disc brake
<b>Service</b>	1



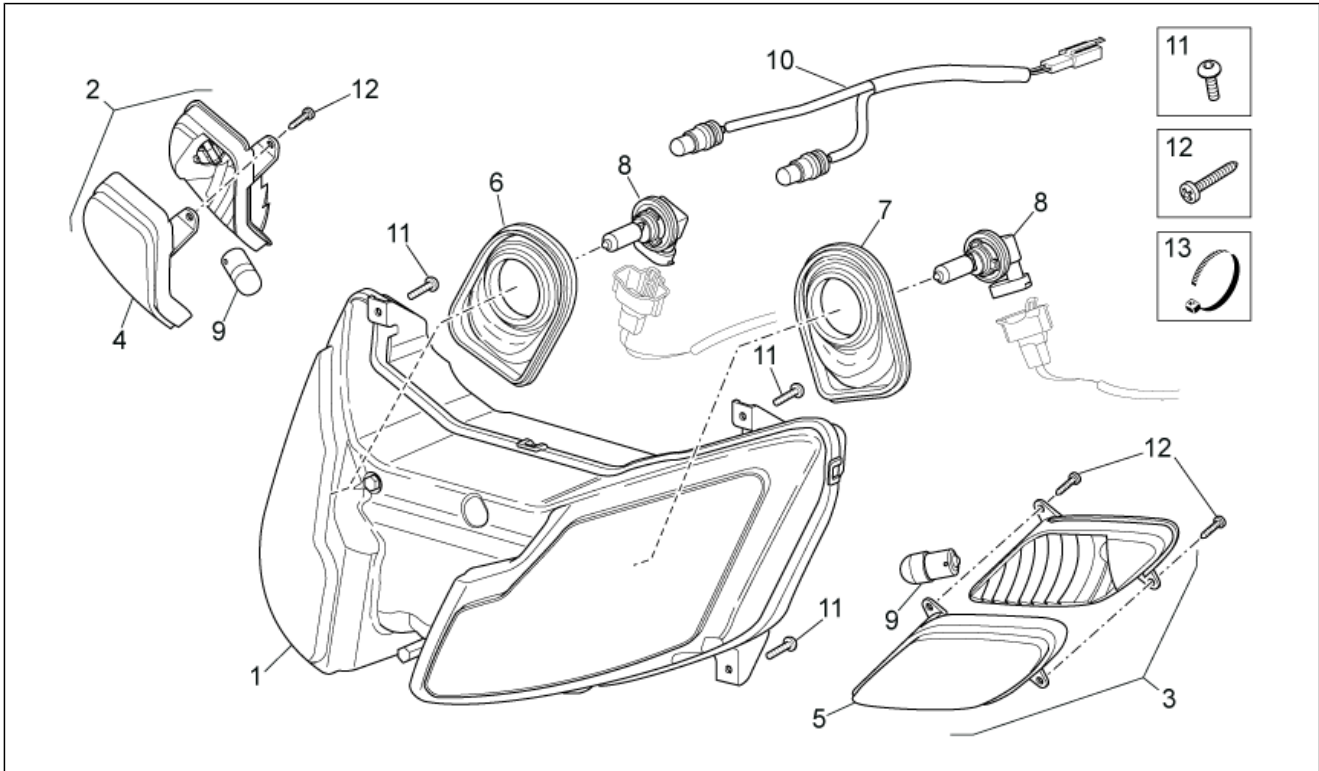
Pos.	Code	Description	Qty	Variants
12	AP8221329	DAX flange nut M16x1,25	1	Year:2007[7]
12	AP8221329	DAX flange nut M16x1,25	1	Year:2008[8]
13	AP8208907	Rear wheel plug, blue	1	
14	AP8113003	Oil pipe screw *	2	
15	AP8134167	Brake hose hanger	2	
16	159347	Ring	1	
17	AP8113871	Pin+Brake spring	1	Technical Specifications:Grimeca sign[gr]
17	AP8213578	Pin+Brake spring	1	Technical Specifications:HT sign[ht]
18	AP8213457	Brake caliper rev. kit	1	Technical Specifications:Grimeca sign[gr]
18	AP8213579	Brake caliper rev. kit	1	Technical Specifications:HT sign[ht]
19	AP8152277	Screw w/ flange M6x12	2	
20	AP8152288	Screw w/ flange	2	
21	AP8225393	Rear clutch	1	
22	012789	Split pin	1	Year:2004[4], 2005[5], 2006[6]
22	012789	Split pin	1	Year:2007[7]
23	194423	Cappellotto ferma dado	1	Year:2004[4], 2005[5], 2006[6]
23	194423	Cappellotto ferma dado	1	Year:2007[7]
24	AP8150086	Hex socket screw	3	Year:2004[4], 2005[5], 2006[6]
24	AP8150086	Hex socket screw	3	Year:2007[7]
25	AP8150020	Washer 10,5x21x2*	3	Year:2004[4], 2005[5], 2006[6]
25	AP8150020	Washer 10,5x21x2*	3	Year:2007[7]
26	AP8150292	Curved spring washer *	3	Year:2004[4], 2005[5], 2006[6]
26	AP8150292	Curved spring washer *	3	Year:2007[7]
27	AP8225319	Nut M10x8,3	3	Year:2007[7]
27	AP8225319	Nut M10x8,3	3	Year:2004[4], 2005[5], 2006[6]
28	AP8225322	Washer	3	Year:2004[4], 2005[5], 2006[6]
28	AP8225322	Washer	3	Year:2007[7]
29	AP8208942	Rear wheel, blue	1	Year:2007[7]

<b>Group</b>	FRAME
<b>Code</b>	28.31
<b>Description</b>	Rear wheel - disc brake
<b>Service</b>	1



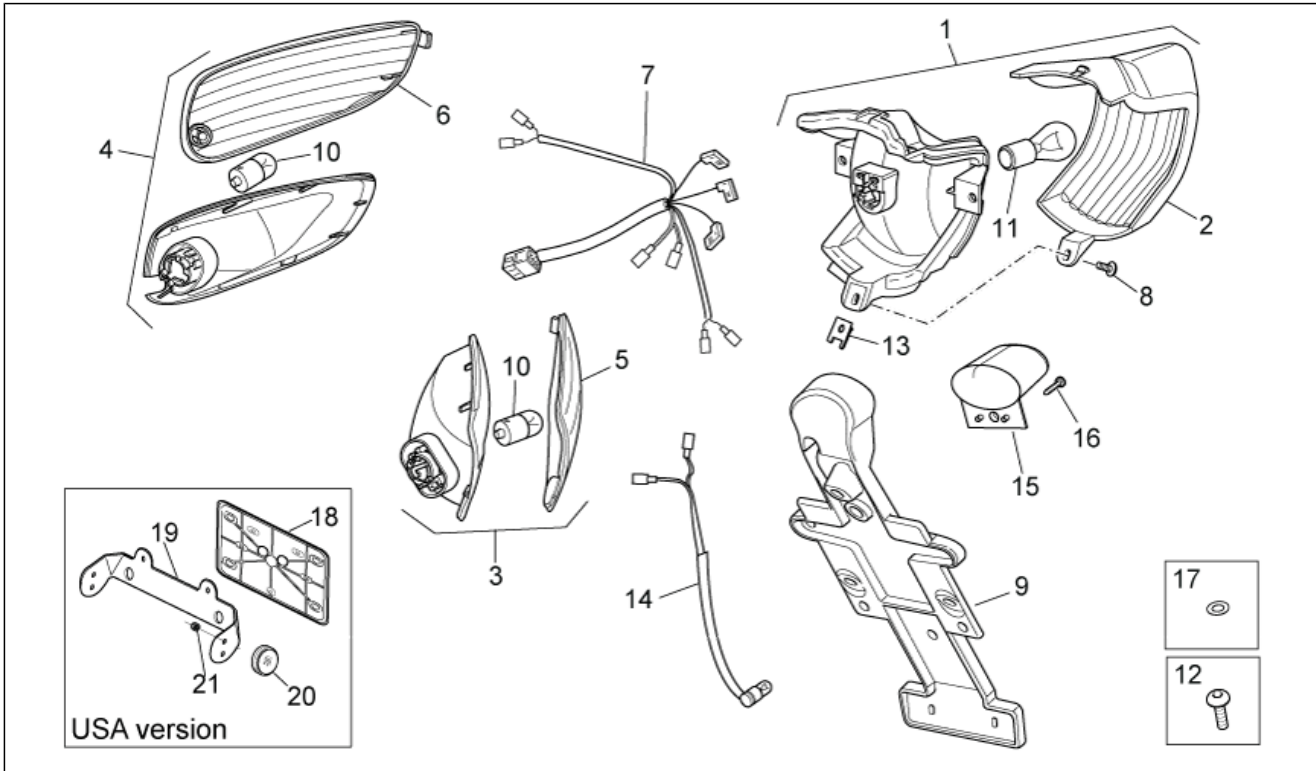
Pos.	Code	Description	Qty	Variants
				<b>Technical Specifications:</b> Grimeca sign[gr]
29	AP8208942	Rear wheel, blue	1	<b>Year:</b> 2008[8] <b>Vehicle colour:</b> Spain's N°1 (S.T.856881)[spain8] <b>Technical Specifications:</b> Grimeca sign[gr]
29	AP8208949	Rear wheel, black	1	<b>Year:</b> 2009[9] <b>Vehicle colour:</b> Superbike Replica (s.t.895057)[sbk] <b>Technical Specifications:</b> Grimeca sign[gr]

<b>Group</b>	FRAME
<b>Code</b>	28.32
<b>Description</b>	Front lights
<b>Service</b>	1



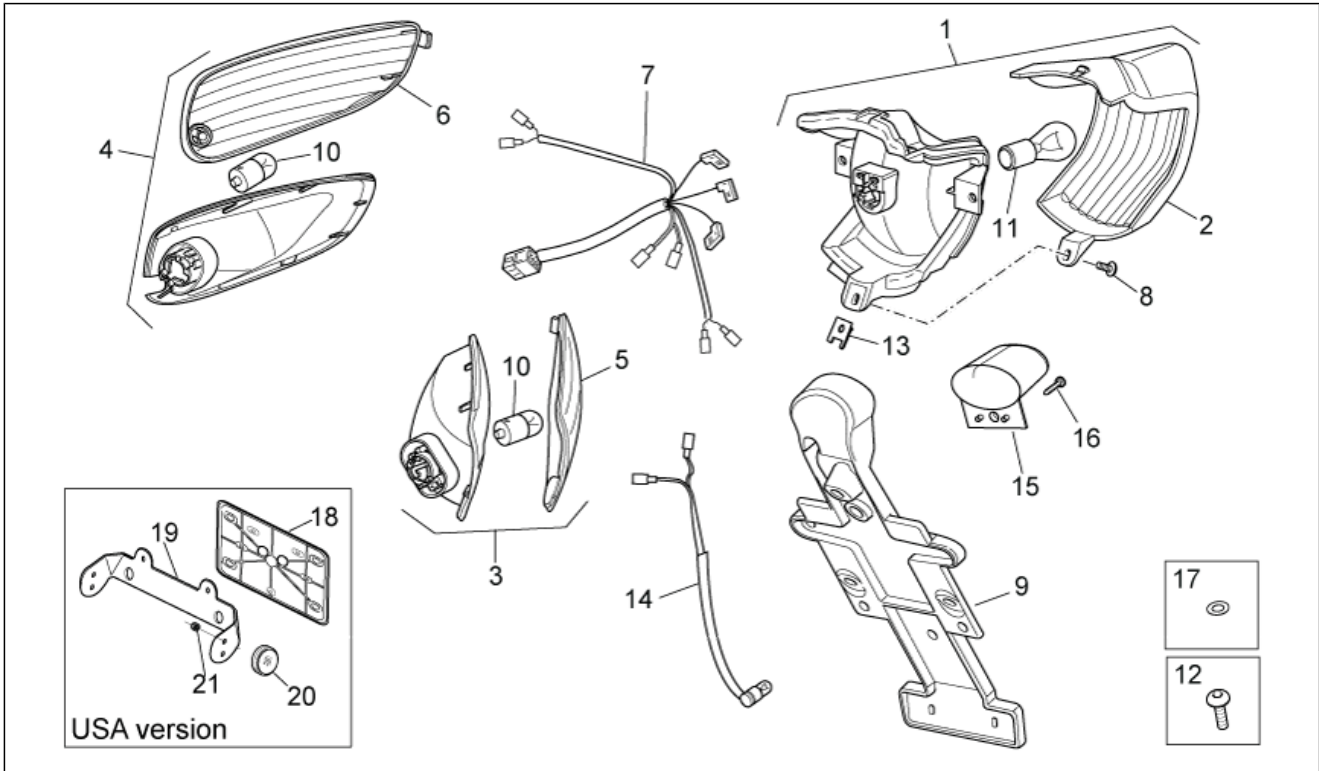
Pos.	Code	Description	Qty	Variants
1	AP8224586	Headlight	1	Country:I-B-GR-D[EU]
1	AP8224646	Headlight	1	Country:Japan[JJ], United States of America[USA]
1	AP8224646	Headlight	1	Country:Switzerland[CH] Technical Specifications:Carburetor Version (C364M)[carb], Injection Version (C361M)[ie], CH version free speed[kit]
2	AP8224589	RH front turn indicator	1	
3	AP8224590	LH front turn indicator	1	
4	AP8224659	RH Turn indicator f.lens	1	
5	AP8224660	LH front turn indicator lens	1	
6	AP8224656	LH Front headlight guard	1	
7	AP8224657	LH Front headlight guard	1	
8	0000000	Tyre	2	
9	AP8127489	Lamp RY10W 12V	2	Country:Japan[JJ], United States of America[USA]
10	AP8224666	Headlight wiring w/harness	1	Country:Japan[JJ], United States of America[USA]
11	AP8150493	Hex socket screw M4x16	4	
12	AP8150413	Self-tap screw 3,9x14	4	
13	AP8120416	Black hose 178x4	1	

<b>Group</b>	FRAME
<b>Code</b>	28.33
<b>Description</b>	Rear lights
<b>Service</b>	1



Pos.	Code	Description	Qty	Variants
1	AP8224587	Taillight	1	
2	AP8224658	Taillight lens	1	
3	AP8224592	Rear LH turn indicator	1	
4	AP8224591	Rear RH turn indicator	1	
5	AP8224662	LH Turn indicator r.lens	1	
6	AP8224661	RH Turn indicator r.lens	1	
7	AP8224624	Taillight wiring harn.	1	
8	AP8150298	Hex socket screw	1	
9	AP8226843	Plate light support	1	<b>Country:</b> United States of America[USA]
9	AP8268255	Plate light support, black	1	<b>Country:</b> Switzerland[CH] <b>Technical Specifications:</b> Carburetor Version (C364M)[carb], Injection Version (C361M)[ie], CH version free speed[kit]
9	AP8268255	Plate light support, black	1	<b>Country:</b> I-B-GR-D[EU], Japan[JJ]
10	AP8127489	Lamp RY10W 12V	2	
11	129953	Lamp 12V-21/5W	1	
12	AP8150493	Hex socket screw M4x16	4	
13	AP8102375	Clip m5	1	
14	AP8224655	Plate light wiring	1	<b>Country:</b> Switzerland[CH] <b>Technical Specifications:</b> Carburetor Version (C364M)[carb], Injection Version (C361M)[ie], CH version free speed[kit]
14	AP8224655	Plate light wiring	1	<b>Country:</b> Japan[JJ], United States of America[USA]
15	AP8127098	Number-plate light	1	<b>Country:</b> Switzerland[CH] <b>Technical Specifications:</b> Carburetor Version (C364M)[carb], Injection Version (C361M)[ie], CH version free speed[kit]
15	AP8127098	Number-plate light	1	<b>Country:</b> Japan[JJ], United States of America[USA]
16	AP8150509	Self-tap screw 5x14	1	<b>Country:</b> Japan[JJ], United States of America[USA]
17	AP8144565	Nylon washer	4	
18	AP8149034	Number plate support	1	<b>Country:</b> United States of America[USA]
19	AP8258253	Rear reflector support	1	<b>Country:</b> United States of America[USA]

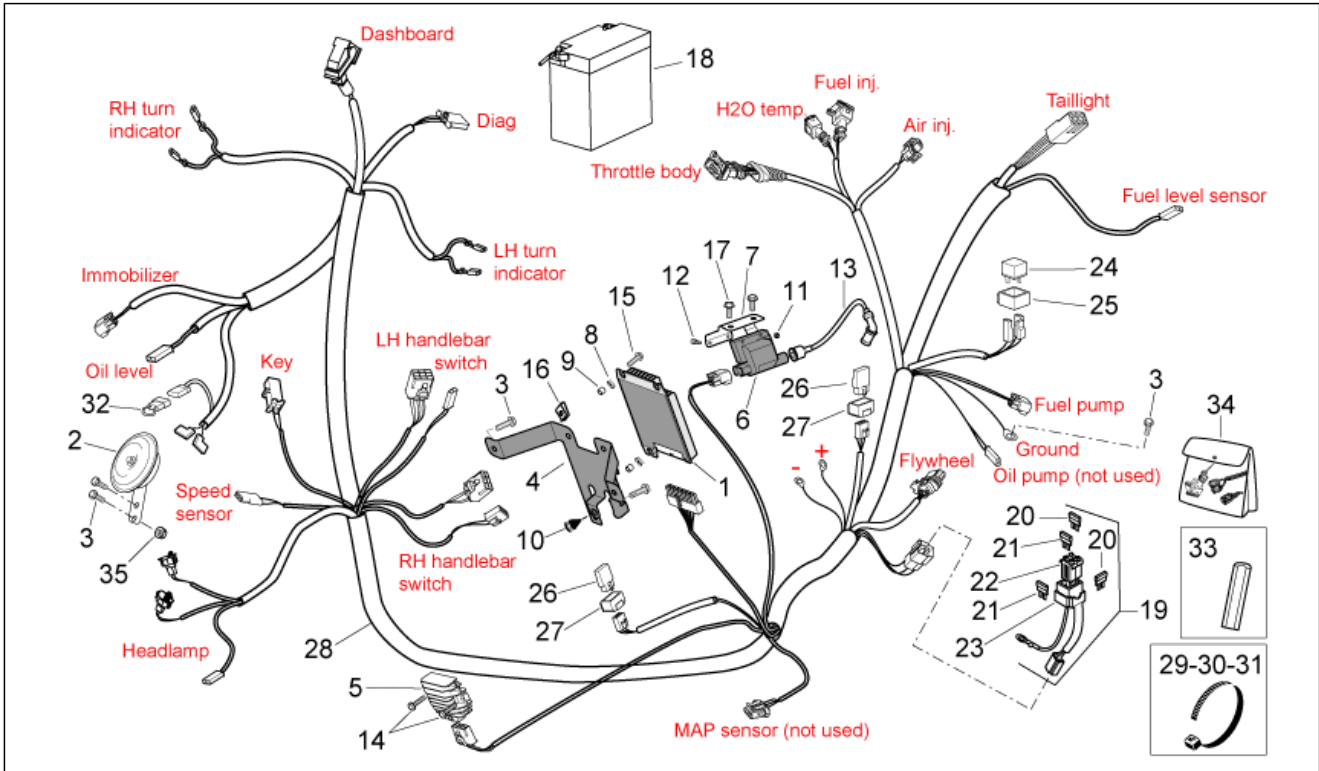
<b>Group</b>	FRAME
<b>Code</b>	28.33
<b>Description</b>	Rear lights
<b>Service</b>	1



Pos.	Code	Description	Qty	Variants
20	AP8224164	Rear reflector, red	2	<b>Country:</b> United States of America[USA]
21	AP8152306	Self-locking nut m5	4	<b>Country:</b> United States of America[USA]
21	AP8152306	Self-locking nut m5	4	<b>Country:</b> Switzerland[CH] <b>Technical Specifications:</b> Carburetor Version (C364M)[carb], Injection Version (C361M)[ie], CH version free speed[kit]

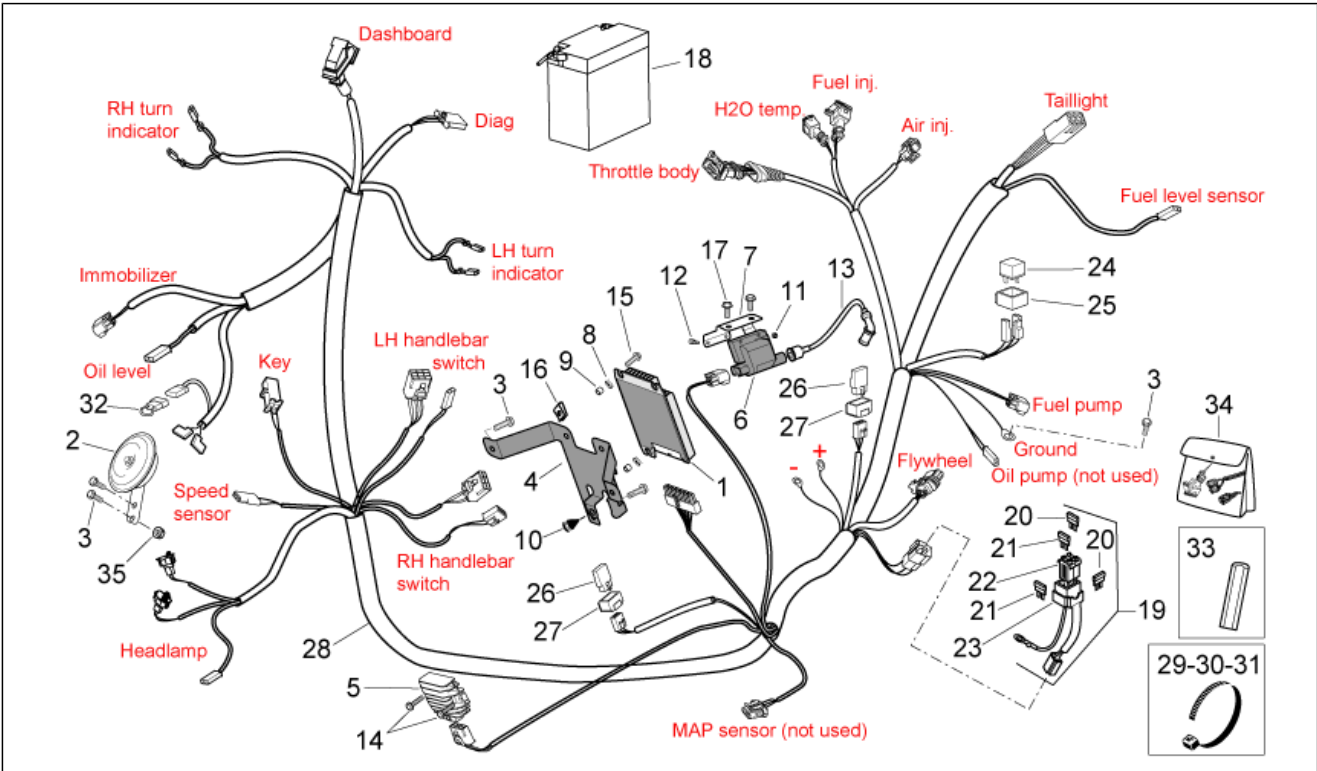


<b>Group</b>	FRAME
<b>Code</b>	28.34
<b>Description</b>	Electrical system I
<b>Service</b>	1



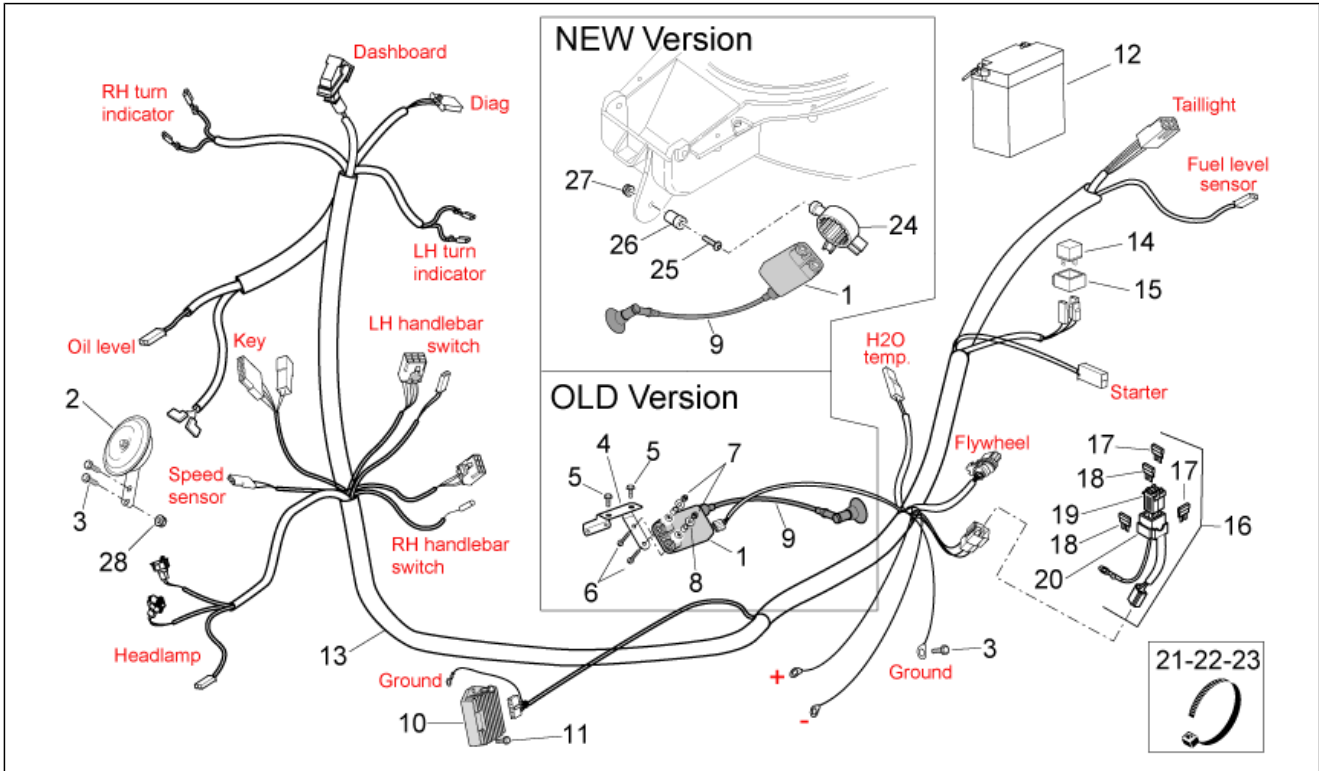
Pos.	Code	Description	Qty	Variants
1	856691	ECU with Pressure Sensor	1	<b>Technical Specifications:</b> Limited version 25Km/h[25km], Injection Version (C361M)[ie]
1	856692	ECU with Pressure Sensor	1	<b>Technical Specifications:</b> Limited version 30 Km/h[30km], Injection Version (C361M)[ie]
1	AP8224635	ECU with Pressure Sensor	1	<b>Technical Specifications:</b> Limited version 45 Km/h[45km], Injection Version (C361M)[ie]
2	AP8212611	Horn	1	<b>Technical Specifications:</b> Injection Version (C361M)[ie]
3	598839	Screw w/ flange	5	<b>Technical Specifications:</b> Injection Version (C361M)[ie]
4	AP8234184	Control unit fixing plate	1	<b>Technical Specifications:</b> Injection Version (C361M)[ie]
5	58090R	Voltage regulator	1	<b>Technical Specifications:</b> Injection Version (C361M)[ie]
6	AP8224261	HT coil	1	<b>Technical Specifications:</b> Injection Version (C361M)[ie]
7	AP8234234	Coil holder	1	<b>Technical Specifications:</b> Injection Version (C361M)[ie]
8	AP8120405	Rubber spacer	3	<b>Technical Specifications:</b> Injection Version (C361M)[ie]
9	AP8221036	Bushing 5,3x8x7,1	3	<b>Technical Specifications:</b> Injection Version (C361M)[ie]
10	AP8220238	Rubber spacer	1	<b>Technical Specifications:</b> Injection Version (C361M)[ie]
11	AP8150204	Nut M4	2	<b>Technical Specifications:</b> Injection Version (C361M)[ie]
12	AP8150416	Hex socket screw	2	<b>Technical Specifications:</b> Injection Version (C361M)[ie]
13	AP8224379	HT wire	1	<b>Technical Specifications:</b> Injection Version (C361M)[ie]
14	AP8152280	Screw w/ flange M6x25	2	<b>Technical Specifications:</b> Injection Version (C361M)[ie]
15	AP8152273	Screw w/ flange M5x16	3	<b>Technical Specifications:</b> Injection Version (C361M)[ie]
16	AP8102375	Clip m5	3	<b>Technical Specifications:</b> Injection Version (C361M)[ie]
17	AP8152277	Screw w/ flange M6x12	2	<b>Technical Specifications:</b> Injection Version (C361M)[ie]
18	584810	Battery 12V-9Ah	1	<b>Technical Specifications:</b> Injection Version (C361M)[ie]
19	AP8224499	Fuse cable	1	<b>Technical Specifications:</b> Injection Version (C361M)[ie]
20	0000000	Tyre	2	<b>Technical Specifications:</b> Injection Version (C361M)[ie]
21	0000000	Tyre	2	<b>Technical Specifications:</b> Injection Version (C361M)[ie]
22	AP8120754	Rubber fuse box	2	<b>Technical Specifications:</b> Injection Version (C361M)[ie]
23	AP8112811	Rubber fuse box	1	<b>Technical Specifications:</b> Injection Version (C361M)[ie]
24	AP8224665	Starter relay	1	<b>Technical Specifications:</b> Injection Version (C361M)[ie]

<b>Group</b>	FRAME
<b>Code</b>	28.34
<b>Description</b>	Electrical system I
<b>Service</b>	1



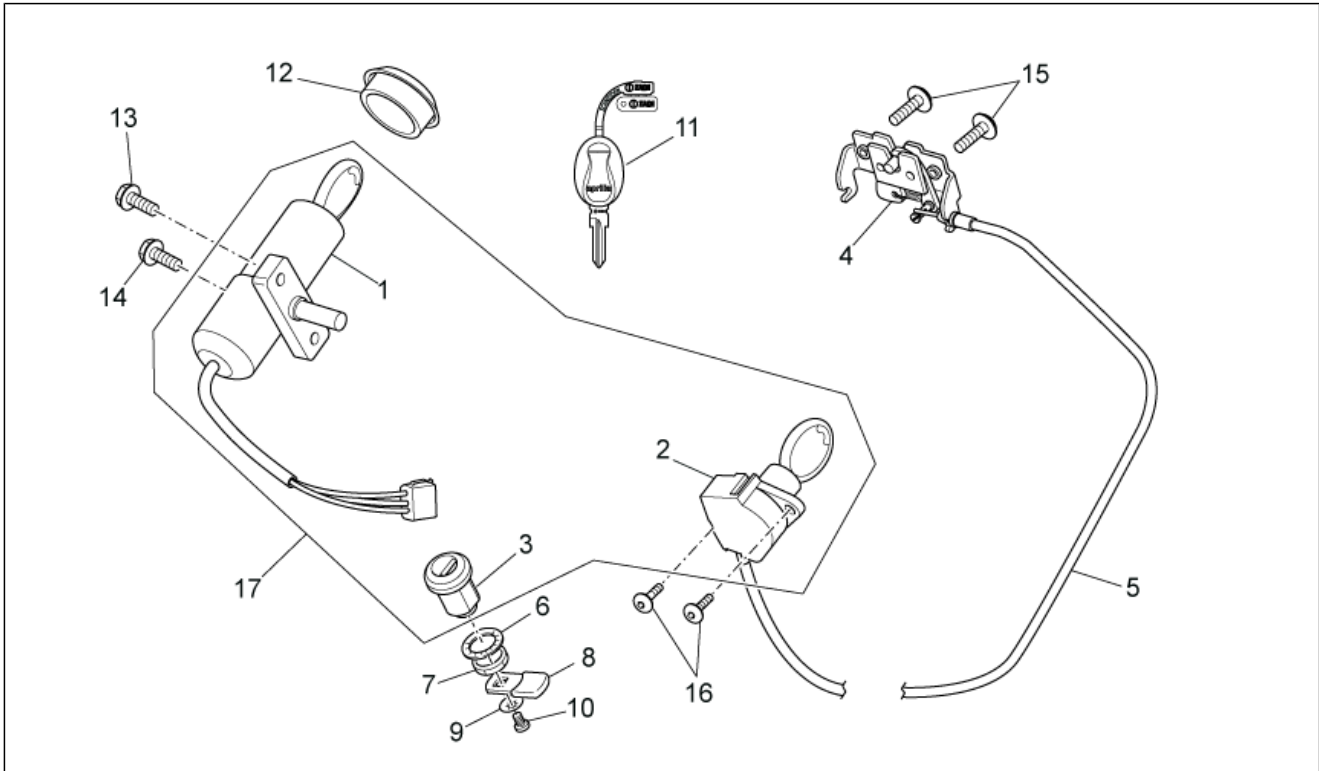
Pos.	Code	Description	Qty	Variants
25	AP8220546	Relay rubber	1	<b>Technical Specifications:</b> Injection Version (C361M)[ie]
26	AP8224462	Relay 12V/30A	2	<b>Technical Specifications:</b> Injection Version (C361M)[ie]
27	AP8220283	Rubber spacer *	2	<b>Technical Specifications:</b> Injection Version (C361M)[ie]
28	AP8224588	Main wiring harness	1	<b>Technical Specifications:</b> Injection Version (C361M)[ie]
29	AP8120422	Black hose 98x2*	2	<b>Technical Specifications:</b> Injection Version (C361M)[ie]
30	AP8120416	Black hose 178x4	1	<b>Technical Specifications:</b> Injection Version (C361M)[ie]
31	AP8120657	Hose clamp	1	<b>Technical Specifications:</b> Injection Version (C361M)[ie]
32	AP8212588	Diode	1	<b>Technical Specifications:</b> Injection Version (C361M)[ie]
33	AP8144707	Gasket	2	<b>Technical Specifications:</b> Injection Version (C361M)[ie]
34	AP8127477	Injection wiring	1	
35	AP8152299	Self-locking nut M6	1	

<b>Group</b>	FRAME
<b>Code</b>	28.35
<b>Description</b>	Electrical system II
<b>Service</b>	1



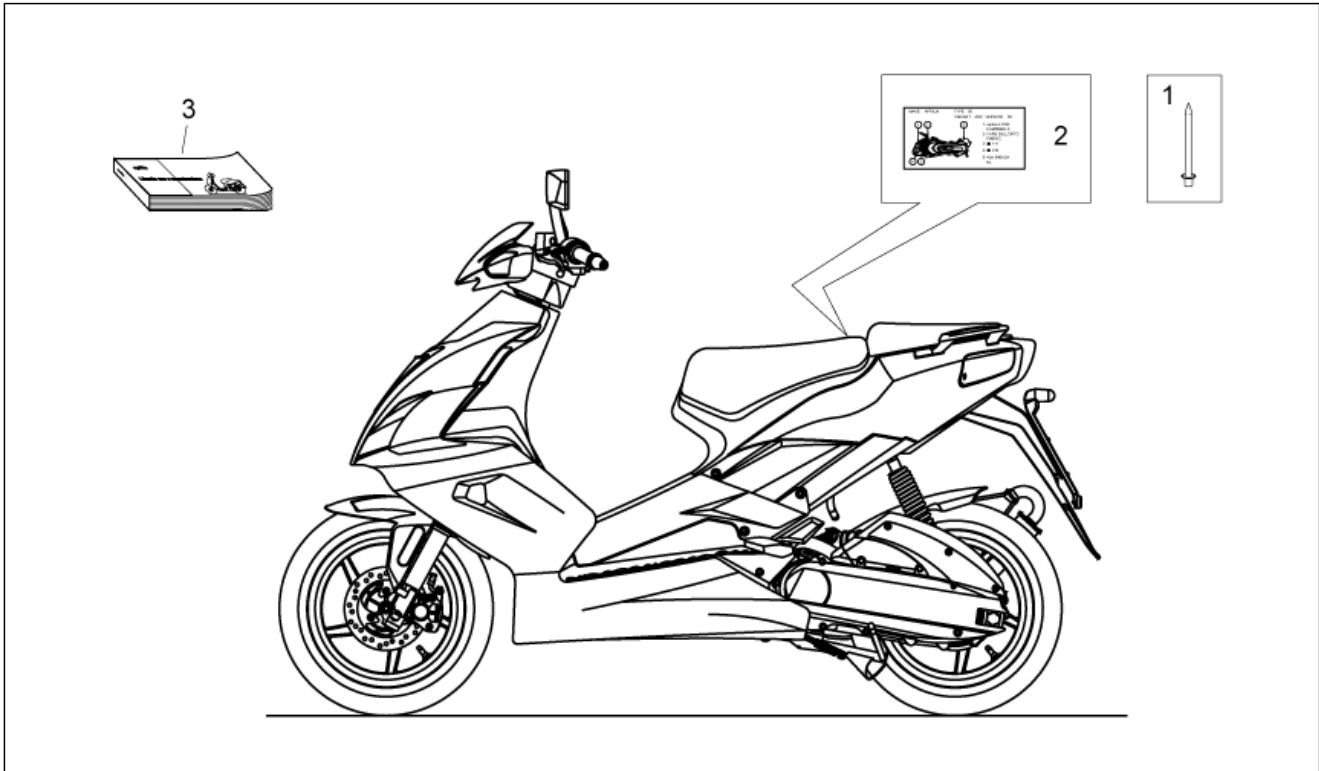
Pos.	Code	Description	Qty	Variants
1	58095R	Electronic ignition unit	1	Technical Specifications:Carburetor Version (C364M)[carb]
2	AP8212611	Horn	1	Technical Specifications:Carburetor Version (C364M)[carb]
3	598839	Screw w/ flange	3	Technical Specifications:Carburetor Version (C364M)[carb]
4	AP8234234	Coil holder	1	Technical Specifications:Carburetor Version (C364M)[carb]
5	AP8152277	Screw w/ flange M6x12	2	Technical Specifications:Carburetor Version (C364M)[carb]
6	855799	Screw w/ flange	2	Technical Specifications:Carburetor Version (C364M)[carb]
7	AP8150451	Low self-locking nut	2	Technical Specifications:Carburetor Version (C364M)[carb]
8	AP8150013	Washer 5,5x15x1,6*	2	Technical Specifications:Carburetor Version (C364M)[carb]
9	AP8224578	HT wire	1	Technical Specifications:Carburetor Version (C364M)[carb]
10	58096R	Voltage regulator	1	Technical Specifications:Carburetor Version (C364M)[carb]
11	AP8152279	Screw w/ flange M6x20	2	Technical Specifications:Carburetor Version (C364M)[carb]
12	584810	Battery 12V-9Ah	1	Technical Specifications:Carburetor Version (C364M)[carb]
13	AP8224621	Main wiring harness	1	Technical Specifications:Carburetor Version (C364M)[carb]
14	58115R	Starter relay 12V-80A	1	Technical Specifications:Carburetor Version (C364M)[carb]
15	AP8220546	Relay rubber	1	Technical Specifications:Carburetor Version (C364M)[carb]
16	AP8224073	Fuse cable	1	Technical Specifications:Carburetor Version (C364M)[carb]
17	0000000	Tyre	2	Technical Specifications:Carburetor Version (C364M)[carb]
18	0000000	Tyre	2	Technical Specifications:Carburetor Version (C364M)[carb]
19	AP8120754	Rubber fuse box	2	Technical Specifications:Carburetor Version (C364M)[carb]
20	AP8112811	Rubber fuse box	1	Technical Specifications:Carburetor Version (C364M)[carb]
21	AP8120422	Black hose 98x2*	2	Technical Specifications:Carburetor Version (C364M)[carb]
22	AP8120416	Black hose 178x4	1	Technical Specifications:Carburetor Version (C364M)[carb]
23	AP8120657	Hose clamp	1	Technical Specifications:Carburetor Version (C364M)[carb]
24	AP8220592	Fuel pump support	1	Technical Specifications:Carburetor Version (C364M)[carb]
25	AP8225369	Hex socket screw	1	Technical Specifications:Carburetor Version (C364M)[carb]
26	AP8234195	Pin	1	Technical Specifications:Carburetor Version (C364M)[carb]
27	AP8152306	Self-locking nut m5	1	Technical Specifications:Carburetor Version (C364M)[carb]
28	AP8152299	Self-locking nut M6	1	

<b>Group</b>	FRAME
<b>Code</b>	28.36
<b>Description</b>	Lock hardware kit
<b>Service</b>	1



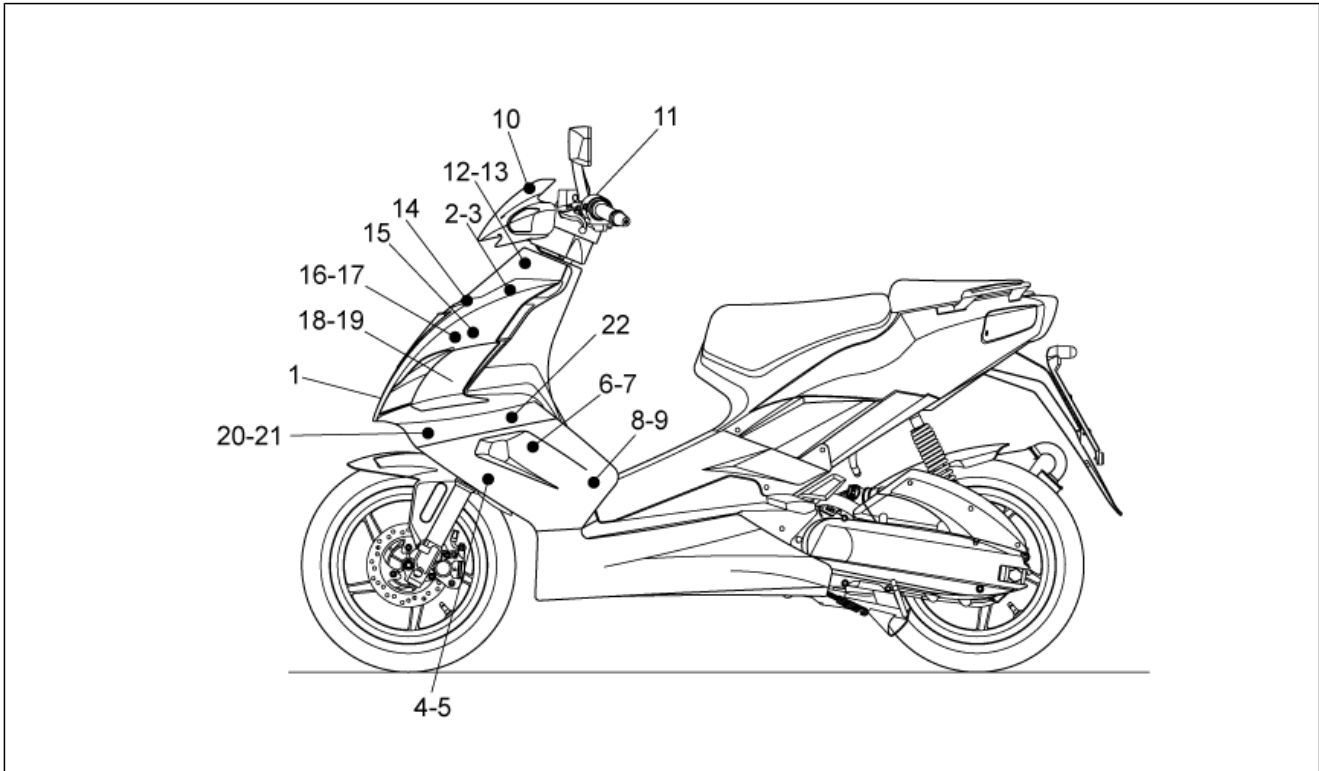
Pos.	Code	Description	Qty	Variants
1	AP8224652	Main switch - steering lock	1	<b>Technical Specifications:</b> Injection Version (C361M)[ie]
1	AP8224653	Main switch - steering lock	1	<b>Technical Specifications:</b> Carburetor Version (C364M)[carb]
2	AP8104611	Saddle lock	1	
3	AP8104609	Tank door lock	1	
4	AP8102947	Saddle closing plate	1	
5	AP8214238	Lock cable	1	
6	AP8221312	Notched washer	1	
7	AP8152194	Low nut M19x1*	1	
8	AP8201620	Lever	1	
9	AP8201748	Washer	1	
10	AP8201749	Screw M4x6	1	
11	AP8104613	"Aprilia" key w/out transpo.	1	<b>Technical Specifications:</b> Carburetor Version (C364M)[carb]
11	AP8104622	"Aprilia" key with transpo.	1	<b>Technical Specifications:</b> Injection Version (C361M)[ie]
12	AP8127461	Main switch seal	1	
13	AP8150137	Hex socket screw	1	
14	AP8152140	Shear rivet M6x17	1	
15	AP8152246	Screw w/ flange M6x16	2	
16	AP8152298	Screw w/ flange M5x16	2	
17	859841	Lock kit	1	<b>Technical Specifications:</b> Injection Version (C361M)[ie]
17	AP8202419	Lock kit	1	<b>Technical Specifications:</b> Carburetor Version (C364M)[carb]

<b>Group</b>	FRAME
<b>Code</b>	28.37
<b>Description</b>	Plate set and handbook
<b>Service</b>	1



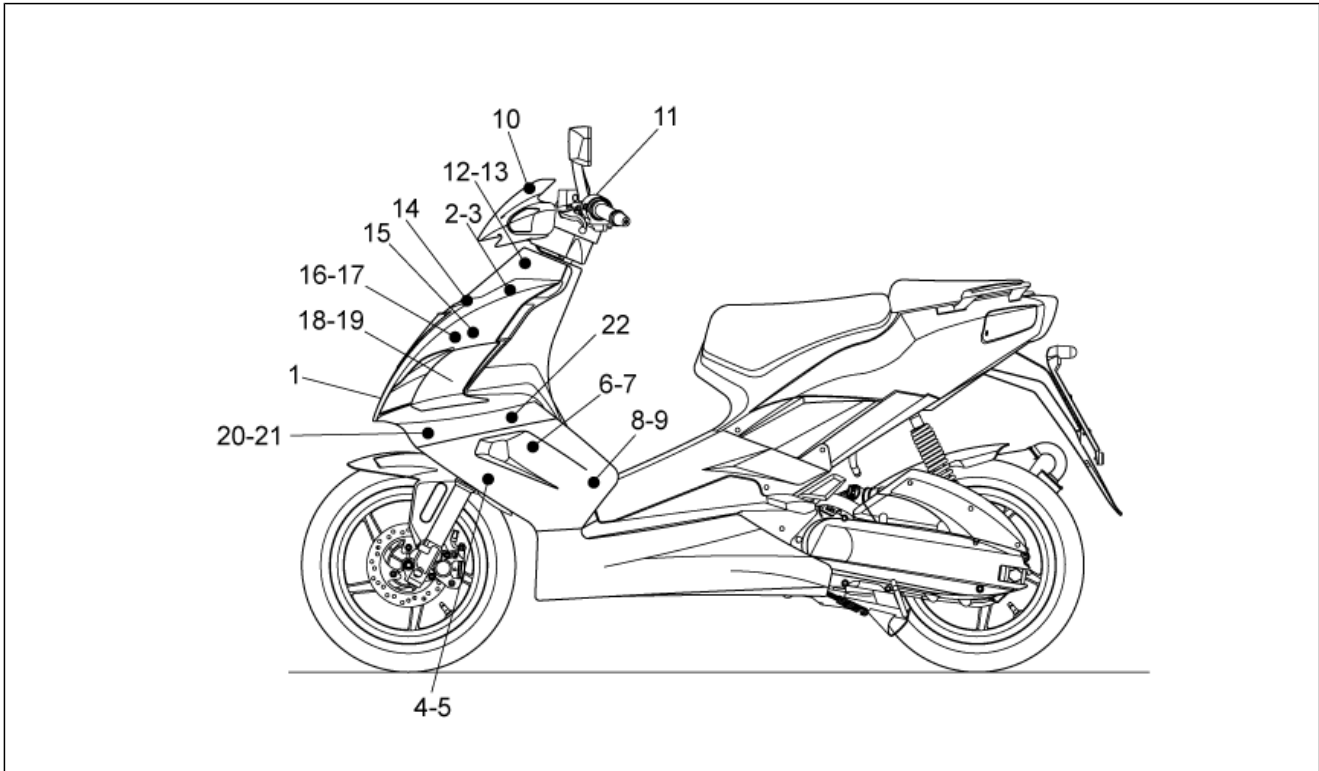
Pos.	Code	Description	Qty	Variants
1	AP8201457	Rivet *	2	
2	AP8277131	Tamperproof dataplate	1	<b>Technical Specifications:</b> Injection Version (C361M)[ie]
2	AP8277221	Tamperproof dataplate	1	<b>Country:</b> I-B-GR-D[EU] <b>Technical Specifications:</b> Carburetor Version (C364M)[carb]
2	AP8277553	ECE dataplate	1	<b>Country:</b> Japan[JJ] <b>Technical Specifications:</b> Carburetor Version (C364M)[carb]
3	AP8202397	Operator's handbook I	1	
3	AP8202439	Operator's handbook USA	1	
3	AP8202441	Operator's handbook F-D-E-UK	1	
3	AP8202442	Operator's handbook NL-DK-SF-GR-J	1	

<b>Group</b>	FRAME
<b>Code</b>	28.38
<b>Description</b>	Decal
<b>Service</b>	1



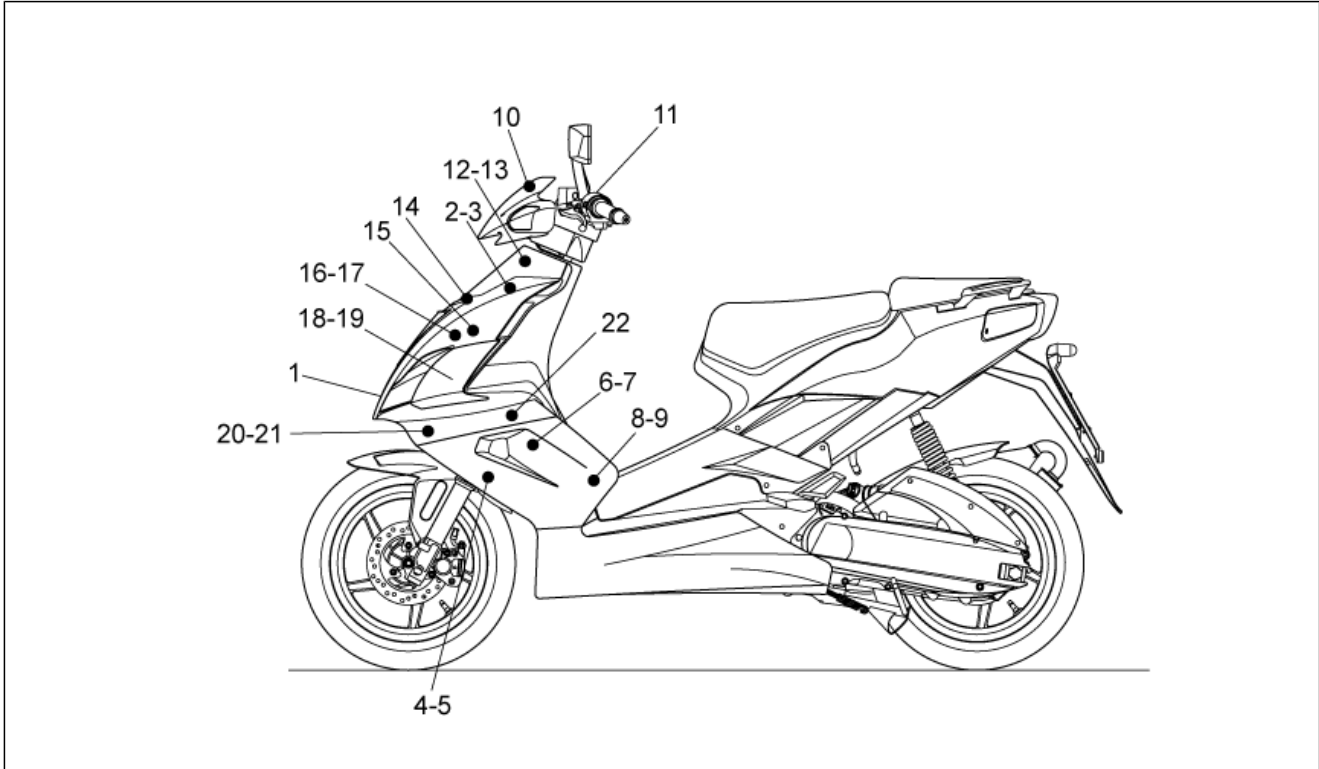
Pos.	Code	Description	Qty	Variants
1	AP8277555	Frame grille dec. aprilia	1	Year:2004[4] Vehicle colour:Aprilia White (s.t.14722)[white]
1	AP8277584	Frame grille dec. aprilia	1	Year:2005[5] Vehicle colour:Spiderman (s.t.14792)[spider]
1	AP8277715	Frame grille dec. aprilia	1	Year:2008[8] Vehicle colour:Code Orange (s.t.858613)[cod], Silver Crowd (s.t.858612)[cro], Diablo Black (s.t.858611)[dia08], Aprilia White 2008 (s.t.858614)[white08]
1	AP8277715	Frame grille dec. aprilia	1	Year:2007[7] Vehicle colour:Diablo Black (s.t.15189)[dia], Silver Mirror (s.t.15188)[sil], Lemon Yellow (s.t.15190)[yel] Country:United States of America[USA]
1	AP8277715	Frame grille dec. aprilia	1	Year:2004[4] Vehicle colour:Aprilia Black (s.t.14707)[black]
1	AP8277715	Frame grille dec. aprilia	1	Year:2004[4], 2006[6], 2008[8] Vehicle colour:Diablo Black (s.t.15189)[dia], Speed Orange (s.t.14721)[orange], Replica White (s.t.15103)[repl.white], Silver Mirror (s.t.15188)[sil], Lemon Yellow (s.t.15190)[yel] Country:I-B-GR-D[EU]
2	859845	RH Front fairing dec.	1	Year:2008[8] Vehicle colour:Diablo Black (s.t.858611)[dia08]
2	859856	RH Front fairing dec.	1	Year:2008[8] Vehicle colour:Silver Crowd (s.t.858612)[cro]
2	859862	RH Front fairing dec.	1	Year:2008[8] Vehicle colour:Code Orange (s.t.858613)[cod]
2	859868	RH Front fairing dec.	1	Year:2008[8] Vehicle colour:Aprilia White 2008 (s.t.858614)[white08]
2	890030	RH Front fairing dec.	1	Year:2008[8] Vehicle colour:Talmacsi (s.t.860954)[tal]
2	AP8166915	RH Front fairing dec. Criniera	1	Year:2006[6], 2007[7] Vehicle colour:Silver Mirror (s.t.15188)[sil]
2	AP8166930	RH Front fairing dec. Criniera	1	Year:2006[6], 2007[7] Vehicle colour:Diablo Black (s.t.15189)[dia]

<b>Group</b>	FRAME
<b>Code</b>	28.38
<b>Description</b>	Decal
<b>Service</b>	1



Pos.	Code	Description	Qty	Variants
2	AP8166945	RH Front fairing dec. Criniera	1	Year:2006[6], 2007[7] Vehicle colour:Lemon Yellow (s.t.15190)[yel]
2	AP8277520	RH Front fairing dec. Criniera	1	Year:2004[4] Vehicle colour:Aprilia Black (s.t.14707)[black]
2	AP8277539	RH Front fairing dec. Criniera	1	Year:2004[4] Vehicle colour:Speed Orange (s.t.14721)[orange]
3	859846	LH Front fairing dec.	1	Year:2008[8] Vehicle colour:Diablo Black (s.t.858611)[dia08]
3	859857	LH Front fairing dec.	1	Year:2008[8] Vehicle colour:Silver Crowd (s.t.858612)[cro]
3	859863	LH Front fairing dec.	1	Year:2008[8] Vehicle colour:Code Orange (s.t.858613)[cod]
3	859869	LH Front fairing dec.	1	Year:2008[8] Vehicle colour:Aprilia White 2008 (s.t.858614)[white08]
3	890031	LH Front fairing dec.	1	Year:2008[8] Vehicle colour:Talmacci (s.t.860954)[tal]
3	AP8166916	LH Front fairing dec. Criniera	1	Year:2006[6], 2007[7] Vehicle colour:Silver Mirror (s.t.15188)[sil]
3	AP8166931	LH Front fairing dec. Criniera	1	Year:2006[6], 2007[7] Vehicle colour:Diablo Black (s.t.15189)[dia]
3	AP8166946	LH Front fairing dec. Criniera	1	Year:2006[6], 2007[7] Vehicle colour:Lemon Yellow (s.t.15190)[yel]
3	AP8277521	LH Front fairing dec. Criniera	1	Year:2004[4] Vehicle colour:Aprilia Black (s.t.14707)[black]
3	AP8277540	LH Front fairing dec. Criniera	1	Year:2004[4] Vehicle colour:Speed Orange (s.t.14721)[orange]
4	860246	RH Front fairing dec.	1	Year:2008[8] Vehicle colour:Diablo Black (s.t.858611)[dia08]
4	860250	RH Front fairing dec.	1	Year:2008[8] Vehicle colour:Silver Crowd (s.t.858612)[cro]
4	860254	RH Front fairing dec.	1	Year:2008[8] Vehicle colour:Code Orange (s.t.858613)[cod]

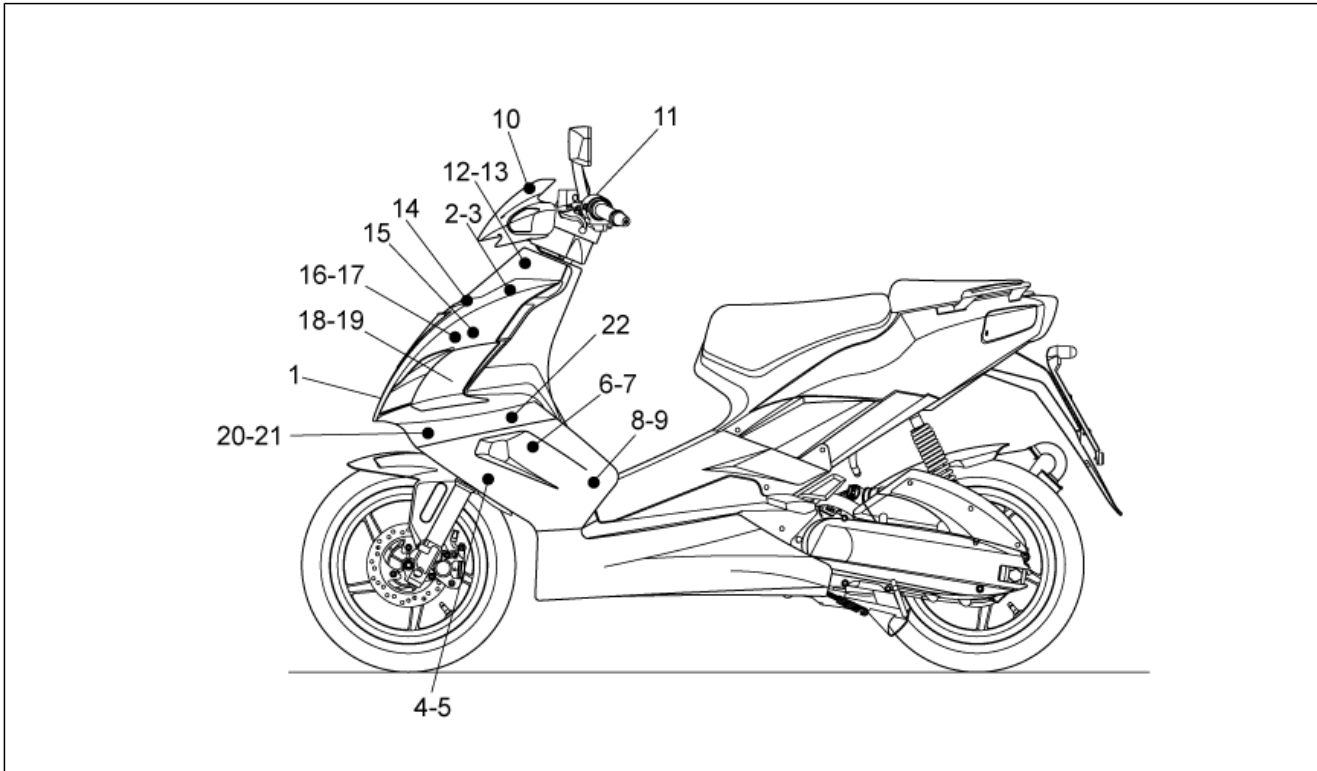
<b>Group</b>	FRAME
<b>Code</b>	28.38
<b>Description</b>	Decal
<b>Service</b>	1



Pos.	Code	Description	Qty	Variants
4	860258	RH Front fairing dec.	1	Year:2008[8] Vehicle colour:Aprilia White 2008 (s.t.858614)[white08]
4	890032	RH Front fairing dec.	1	Year:2008[8] Vehicle colour:Talmacsi (s.t.860954)[tal]
4	AP8166917	RH Front fairing dec. Lion	1	Year:2006[6], 2007[7] Vehicle colour:Silver Mirror (s.t.15188)[sil]
4	AP8166932	RH Front fairing dec. Lion	1	Year:2006[6], 2007[7] Vehicle colour:Diablo Black (s.t.15189)[dia]
4	AP8166947	RH Front fairing dec. Lion	1	Year:2006[6], 2007[7] Vehicle colour:Lemon Yellow (s.t.15190)[yel]
4	AP8277522	RH Front fairing dec. Lion	1	Year:2004[4] Vehicle colour:Aprilia Black (s.t.14707)[black]
4	AP8277541	RH Front fairing dec. Lion	1	Year:2004[4] Vehicle colour:Speed Orange (s.t.14721)[orange]
4	AP8277712	RH Front fairing dec. I	1	Year:2006[6] Vehicle colour:Replica White (s.t.15103)[repl.white]
5	860247	LH Front fairing dec.	1	Year:2008[8] Vehicle colour:Diablo Black (s.t.858611)[dia08]
5	860251	LH Front fairing dec.	1	Year:2008[8] Vehicle colour:Silver Crowd (s.t.858612)[cro]
5	860255	LH Front fairing dec.	1	Year:2008[8] Vehicle colour:Code Orange (s.t.858613)[cod]
5	860259	LH Front fairing dec.	1	Year:2008[8] Vehicle colour:Aprilia White 2008 (s.t.858614)[white08]
5	890033	LH Front fairing dec.	1	Year:2008[8] Vehicle colour:Talmacsi (s.t.860954)[tal]
5	AP8166918	LH Front fairing dec. Lion	1	Year:2006[6], 2007[7] Vehicle colour:Silver Mirror (s.t.15188)[sil]
5	AP8166933	LH Front fairing dec. Lion	1	Year:2006[6], 2007[7] Vehicle colour:Diablo Black (s.t.15189)[dia]
5	AP8166948	LH Front fairing dec. Lion	1	Year:2006[6], 2007[7] Vehicle colour:Lemon Yellow (s.t.15190)[yel]

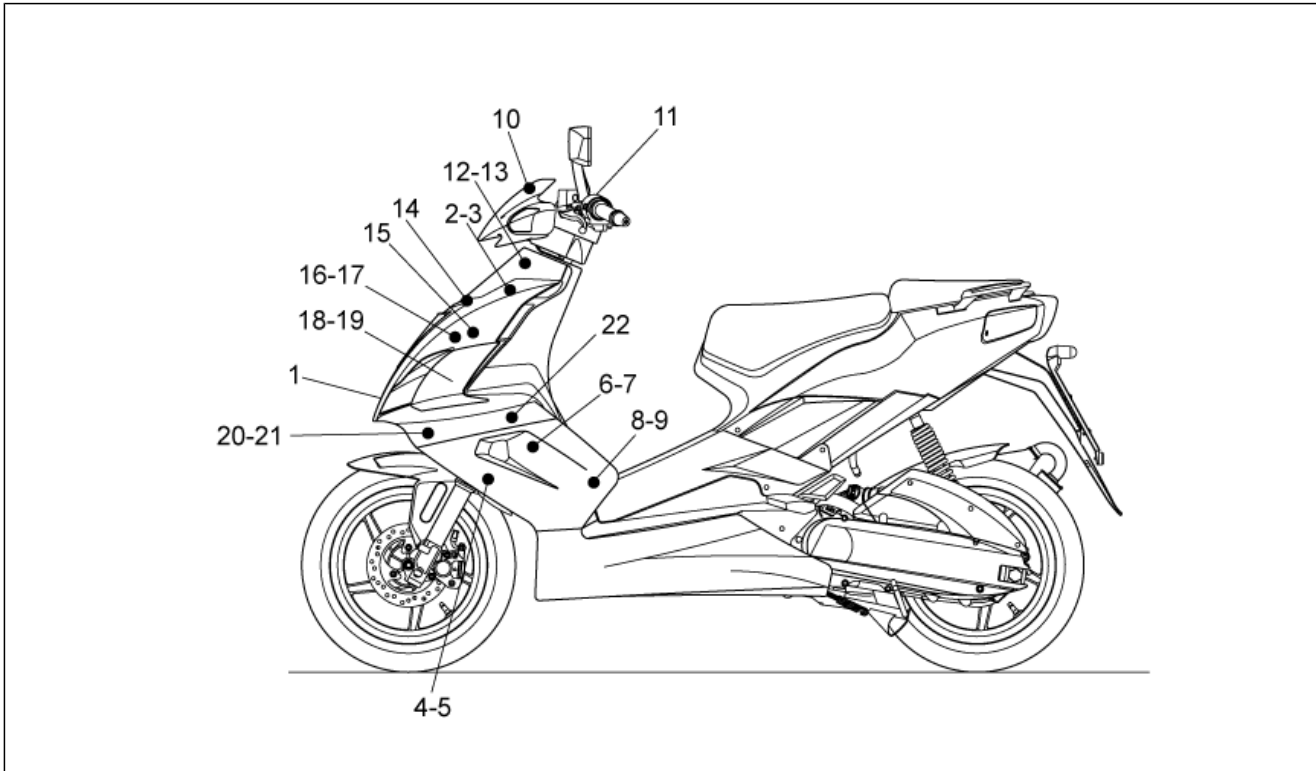


<b>Group</b>	FRAME
<b>Code</b>	28.38
<b>Description</b>	Decal
<b>Service</b>	1



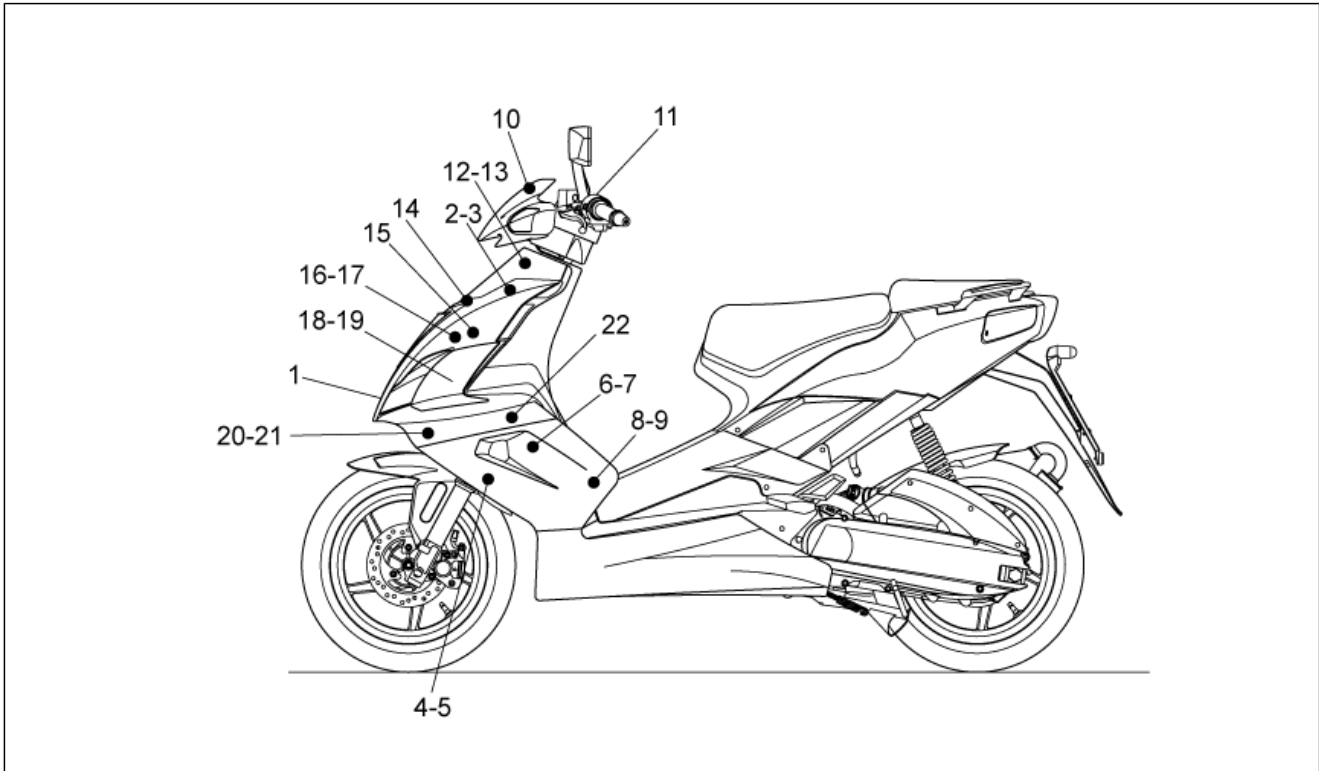
Pos.	Code	Description	Qty	Variants
5	AP8277523	LH Front fairing dec. Lion	1	Year:2004[4] Vehicle colour:Aprilia Black (s.t.14707)[black]
5	AP8277542	LH Front fairing dec. Lion	1	Year:2004[4] Vehicle colour:Speed Orange (s.t.14721)[orange]
5	AP8277713	LH Front fairing dec. I	1	Year:2006[6] Vehicle colour:Replica White (s.t.15103)[repl.white]
6	860248	RH Front fairing dec.	1	Year:2008[8] Vehicle colour:Diablo Black (s.t.858611)[dia08]
6	860252	RH Front fairing dec.	1	Year:2008[8] Vehicle colour:Silver Crowd (s.t.858612)[cro]
6	860256	RH Front fairing dec.	1	Year:2008[8] Vehicle colour:Code Orange (s.t.858613)[cod]
6	860260	RH Front fairing dec.	1	Year:2008[8] Vehicle colour:Aprilia White 2008 (s.t.858614)[white08]
6	890034	RH Front fairing dec.	1	Year:2008[8] Vehicle colour:Talmacsi (s.t.860954)[tal]
6	893540	***STICKER	1	Year:2008[8] Vehicle colour:Diablo Black (s.t.858611)[dia08]
6	893544	***STICKER	1	Year:2008[8] Vehicle colour:Silver Crowd (s.t.858612)[cro]
6	893548	***STICKER	1	Year:2008[8] Vehicle colour:Code Orange (s.t.858613)[cod]
6	893552	***STICKER	1	Year:2008[8] Vehicle colour:Aprilia White 2008 (s.t.858614)[white08]
6	AP8166919	RH Front fairing dec. Fregio	1	Year:2006[6], 2007[7] Vehicle colour:Silver Mirror (s.t.15188)[sil]
6	AP8166934	RH Front fairing dec. Fregio	1	Year:2006[6], 2007[7] Vehicle colour:Diablo Black (s.t.15189)[dia]
6	AP8166949	RH Front fairing dec. Fregio	1	Year:2006[6], 2007[7] Vehicle colour:Lemon Yellow (s.t.15190)[yel]
6	AP8277524	RH Front fairing dec. Fregio	1	Year:2004[4] Vehicle colour:Aprilia Black (s.t.14707)[black]

<b>Group</b>	FRAME
<b>Code</b>	28.38
<b>Description</b>	Decal
<b>Service</b>	1



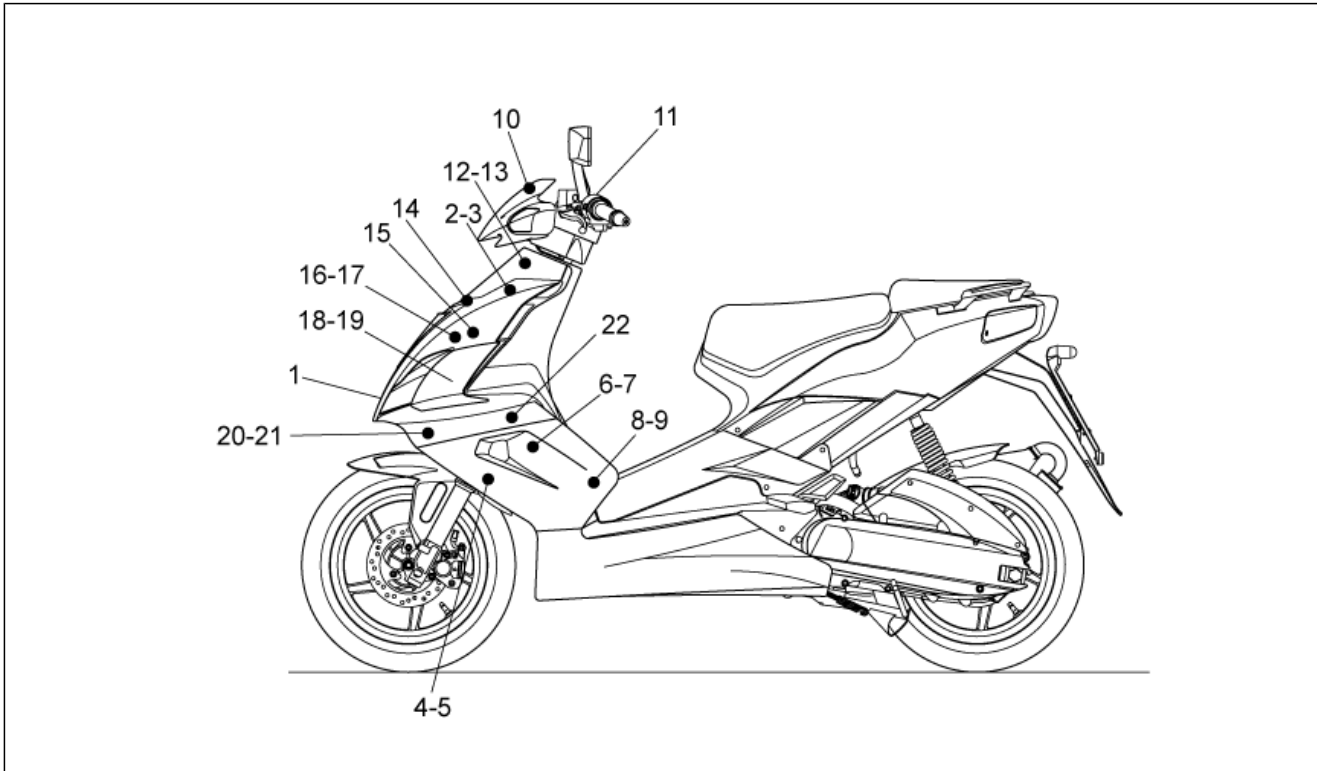
Pos.	Code	Description	Qty	Variants
6	AP8277543	RH Front fairing dec. Fregio	1	Year:2004[4] Vehicle colour:Speed Orange (s.t.14721)[orange]
7	860249	LH Front fairing dec.	1	Year:2008[8] Vehicle colour:Diablo Black (s.t.858611)[dia08]
7	860253	LH Front fairing dec.	1	Year:2008[8] Vehicle colour:Silver Crowd (s.t.858612)[cro]
7	860257	LH Front fairing dec.	1	Year:2008[8] Vehicle colour:Code Orange (s.t.858613)[cod]
7	860261	LH Front fairing dec.	1	Year:2008[8] Vehicle colour:Aprilia White 2008 (s.t.858614)[white08]
7	890035	LH Front fairing dec.	1	Year:2008[8] Vehicle colour:Talmacsi (s.t.860954)[tal]
7	893541	***STICKER	1	Year:2008[8] Vehicle colour:Diablo Black (s.t.858611)[dia08]
7	893545	***STICKER	1	Year:2008[8] Vehicle colour:Silver Crowd (s.t.858612)[cro]
7	893549	***STICKER	1	Year:2008[8] Vehicle colour:Code Orange (s.t.858613)[cod]
7	893553	***STICKER	1	Year:2008[8] Vehicle colour:Aprilia White 2008 (s.t.858614)[white08]
7	AP8166920	LH Front fairing dec. Fregio	1	Year:2006[6], 2007[7] Vehicle colour:Silver Mirror (s.t.15188)[sil]
7	AP8166935	LH Front fairing dec. Fregio	1	Year:2006[6], 2007[7] Vehicle colour:Diablo Black (s.t.15189)[dia]
7	AP8166950	LH Front fairing dec. Fregio	1	Year:2006[6], 2007[7] Vehicle colour:Lemon Yellow (s.t.15190)[yel]
7	AP8277525	LH Front fairing dec. Fregio	1	Year:2004[4] Vehicle colour:Aprilia Black (s.t.14707)[black]
7	AP8277544	LH Front fairing dec. Fregio	1	Year:2004[4] Vehicle colour:Speed Orange (s.t.14721)[orange]
8	859847	RH Front fairing dec.	1	Year:2008[8] Vehicle colour:Diablo Black (s.t.858611)[dia08]

<b>Group</b>	FRAME
<b>Code</b>	28.38
<b>Description</b>	Decal
<b>Service</b>	1



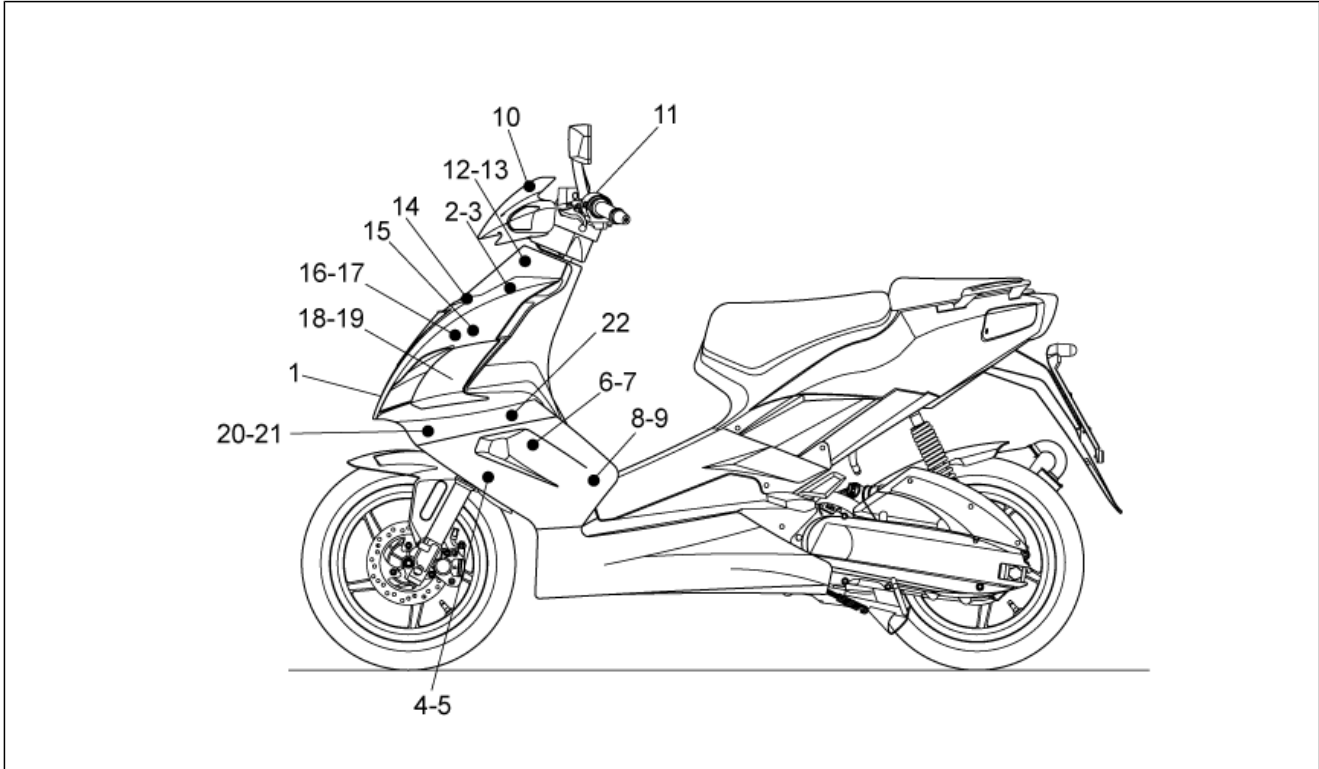
Pos.	Code	Description	Qty	Variants
8	859858	RH Front fairing dec.	1	Year:2008[8] Vehicle colour:Silver Crowd (s.t.858612)[cro]
8	859864	RH Front fairing dec.	1	Year:2008[8] Vehicle colour:Code Orange (s.t.858613)[cod]
8	859870	RH Front fairing dec.	1	Year:2008[8] Vehicle colour:Aprilia White 2008 (s.t.858614)[white08]
8	890036	RH Front fairing dec.	1	Year:2008[8] Vehicle colour:Talmacsi (s.t.860954)[tal]
8	AP8166921	RH Front fairing dec. Fregio	1	Year:2006[6], 2007[7] Vehicle colour:Silver Mirror (s.t.15188)[sil]
8	AP8166936	RH Front fairing dec. Fregio	1	Year:2006[6], 2007[7] Vehicle colour:Diablo Black (s.t.15189)[dia]
8	AP8166951	RH Front fairing dec. Fregio	1	Year:2006[6], 2007[7] Vehicle colour:Lemon Yellow (s.t.15190)[yel]
8	AP8277526	RH Front fairing dec. Fregio	1	Year:2004[4] Vehicle colour:Aprilia Black (s.t.14707)[black]
8	AP8277545	RH Front fairing dec. Fregio	1	Year:2004[4] Vehicle colour:Speed Orange (s.t.14721)[orange]
9	859848	LH Front fairing dec.	1	Year:2008[8] Vehicle colour:Diablo Black (s.t.858611)[dia08]
9	859859	LH Front fairing dec.	1	Year:2008[8] Vehicle colour:Silver Crowd (s.t.858612)[cro]
9	859865	LH Front fairing dec.	1	Year:2008[8] Vehicle colour:Code Orange (s.t.858613)[cod]
9	859871	LH Front fairing dec.	1	Year:2008[8] Vehicle colour:Aprilia White 2008 (s.t.858614)[white08]
9	890037	LH Front fairing dec.	1	Year:2008[8] Vehicle colour:Talmacsi (s.t.860954)[tal]
9	AP8166922	LH Front fairing dec. Fregio	1	Year:2006[6], 2007[7] Vehicle colour:Silver Mirror (s.t.15188)[sil]
9	AP8166937	LH Front fairing dec. Fregio	1	Year:2006[6], 2007[7] Vehicle colour:Diablo Black (s.t.15189)[dia]

<b>Group</b>	FRAME
<b>Code</b>	28.38
<b>Description</b>	Decal
<b>Service</b>	1



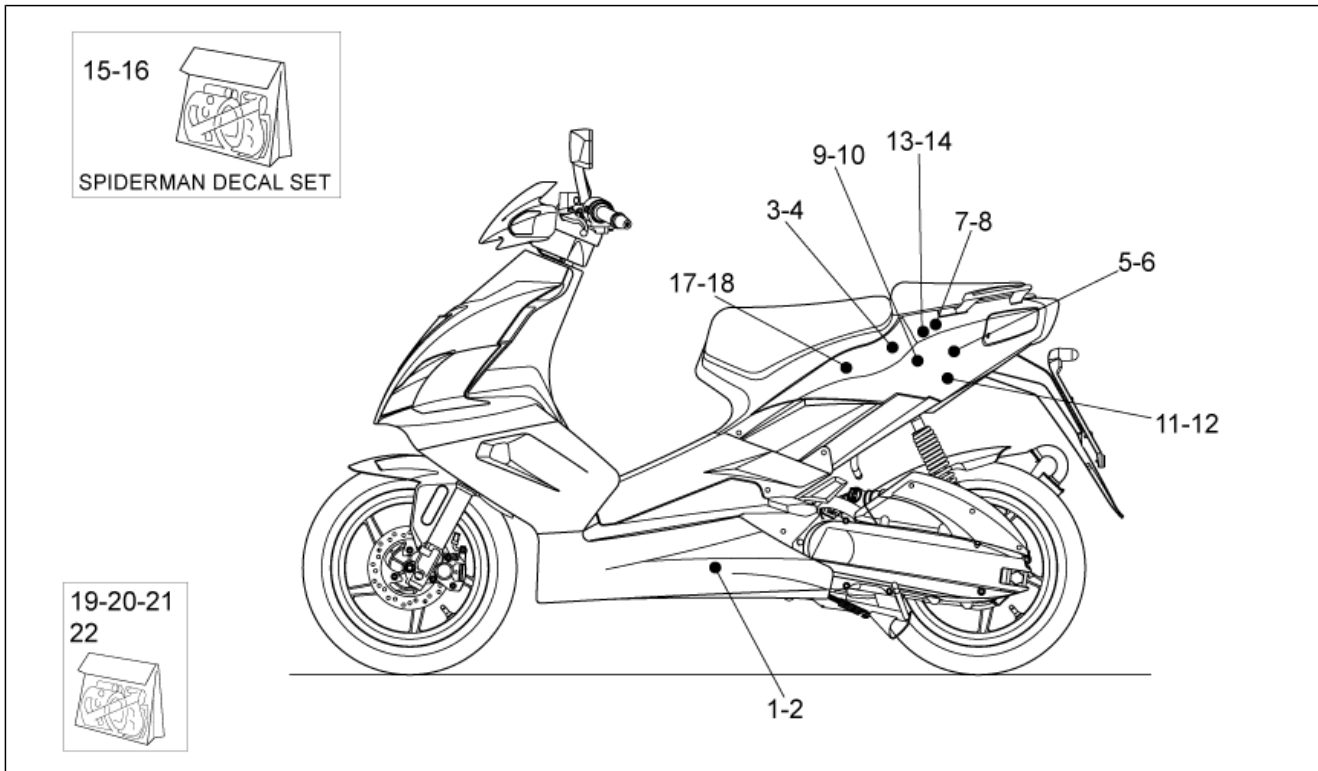
Pos.	Code	Description	Qty	Variants
9	AP8166952	LH Front fairing dec. Fregio	1	Year:2006[6], 2007[7] Vehicle colour:Lemon Yellow (s.t.15190)[yel]
9	AP8277527	LH Front fairing dec. Fregio	1	Year:2004[4] Vehicle colour:Aprilia Black (s.t.14707)[black]
9	AP8277546	LH Front fairing dec. Fregio	1	Year:2004[4] Vehicle colour:Speed Orange (s.t.14721)[orange]
10	890026	Windshield decal	1	Year:2008[8] Vehicle colour:Talmacci (s.t.860954)[tal]
11	860539	Handlebar dec. Lion 40x40	1	Year:2004[4], 2006[6], 2007[7], 2008[8]
12	890027	RH front fairing decal	1	Year:2008[8] Vehicle colour:Talmacci (s.t.860954)[tal]
13	890028	LH front fairing decal	1	Year:2008[8] Vehicle colour:Talmacci (s.t.860954)[tal]
14	859844	Sticker "SR" front fairing	1	Year:2008[8] Vehicle colour:Code Orange (s.t.858613)[cod], Silver Crowd (s.t.858612)[cro], Aprilia White 2008 (s.t.858614)[white08]
14	860272	Sticker "SR" front fairing	1	Year:2008[8] Vehicle colour:Diablo Black (s.t.858611)[dia08]
14	890029	Sticker "SR" front fairing	1	Year:2008[8] Vehicle colour:Talmacci (s.t.860954)[tal]
15	AP8277737	LH Front fairing dec. De Angelis	1	Year:2006[6] Vehicle colour:Replica White (s.t.15103)[repl.white]
16	893538	RH Front fairing dec.	1	Year:2008[8] Vehicle colour:Diablo Black (s.t.858611)[dia08]
16	893542	***STICKER	1	Year:2008[8] Vehicle colour:Silver Crowd (s.t.858612)[cro]
16	893546	***STICKER	1	Year:2008[8] Vehicle colour:Code Orange (s.t.858613)[cod]
16	893550	***STICKER	1	Year:2008[8] Vehicle colour:Aprilia White 2008 (s.t.858614)[white08]
16	AP8277556	RH fairing dec., black 1	1	Year:2004[4] Vehicle colour:Aprilia White (s.t.14722)[white]

<b>Group</b>	FRAME
<b>Code</b>	28.38
<b>Description</b>	Decal
<b>Service</b>	1



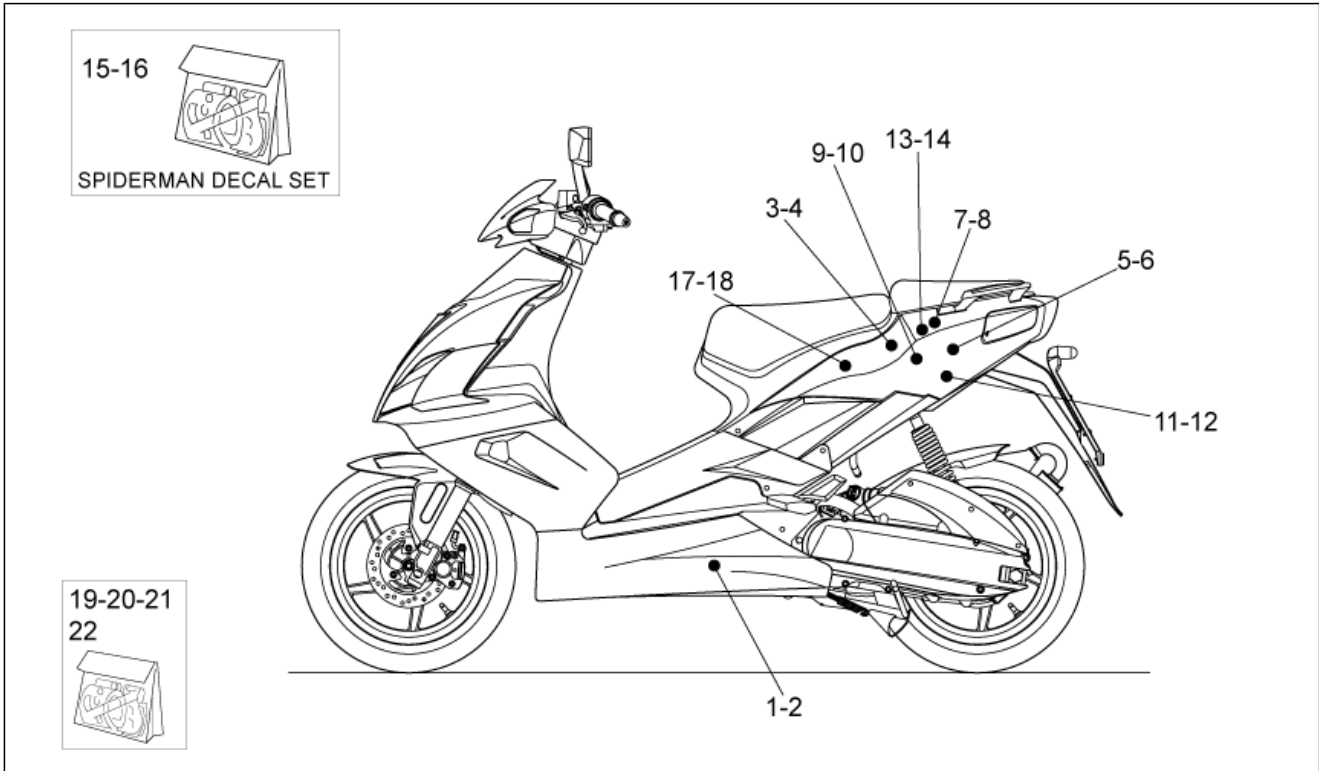
Pos.	Code	Description	Qty	Variants
16	AP8277716	RH fairing dec., blue	1	Year:2006[6] Vehicle colour:Replica White (s.t.15103)[repl.white]
17	893539	LH Front fairing dec.	1	Year:2008[8] Vehicle colour:Diablo Black (s.t.858611)[dia08]
17	893543	***STICKER	1	Year:2008[8] Vehicle colour:Silver Crowd (s.t.858612)[cro]
17	893547	***STICKER	1	Year:2008[8] Vehicle colour:Code Orange (s.t.858613)[cod]
17	893551	***STICKER	1	Year:2008[8] Vehicle colour:Aprilia White 2008 (s.t.858614)[white08]
17	AP8277559	LH fairing dec., black 1	1	Year:2004[4] Vehicle colour:Aprilia White (s.t.14722)[white]
17	AP8277717	LH fairing dec., blue	1	Year:2006[6] Vehicle colour:Replica White (s.t.15103)[repl.white]
18	890038	RH Front fairing dec.	1	Year:2008[8] Vehicle colour:Talmacsi (s.t.860954)[tal]
19	890039	LH Front fairing dec.	1	Year:2008[8] Vehicle colour:Talmacsi (s.t.860954)[tal]
20	AP8277557	RH fairing dec., black 2	1	Year:2004[4] Vehicle colour:Aprilia White (s.t.14722)[white]
21	AP8277560	LH fairing dec., black 2	1	Year:2004[4] Vehicle colour:Aprilia White (s.t.14722)[white]
22	AP8277561	LH fairing dec., black 3	1	Year:2004[4] Vehicle colour:Aprilia White (s.t.14722)[white]

<b>Group</b>	FRAME
<b>Code</b>	28.54
<b>Description</b>	Decalco post.
<b>Service</b>	1



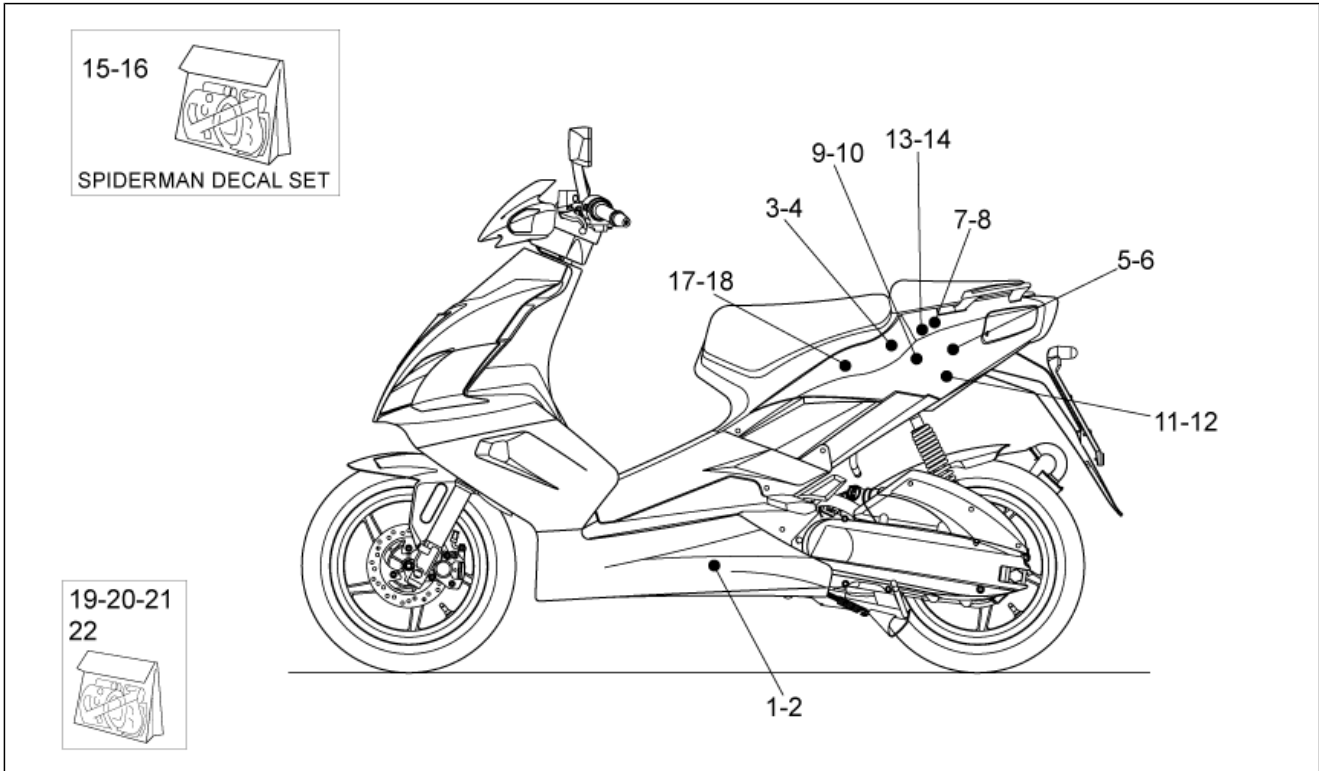
Pos.	Code	Description	Qty	Variants
1	859849	RH underpanel dec.	1	Year:2008[8] Vehicle colour:Code Orange (s.t.858613)[cod], Silver Crowd (s.t.858612)[cro], Diablo Black (s.t.858611)[dia08], Aprilia White 2008 (s.t.858614)[white08]
1	890040	RH underpanel dec.	1	Year:2008[8] Vehicle colour:Talmacsi (s.t.860954)[tal]
1	AP8277529	RH underpanel dec. aprilia	1	Year:2007[7] Vehicle colour:Diablo Black (s.t.15189)[dia], Silver Mirror (s.t.15188)[sil], Lemon Yellow (s.t.15190)[yel] Country:United States of America[USA]
2	859860	RH rear fairing dec.	1	Year:2008[8] Vehicle colour:Code Orange (s.t.858613)[cod], Silver Crowd (s.t.858612)[cro], Diablo Black (s.t.858611)[dia08], Aprilia White 2008 (s.t.858614)[white08]
2	890041	LH underpanel dec.	1	Year:2008[8] Vehicle colour:Talmacsi (s.t.860954)[tal]
2	AP8277530	LH underpanel dec. aprilia	1	Year:2007[7] Vehicle colour:Diablo Black (s.t.15189)[dia], Silver Mirror (s.t.15188)[sil], Lemon Yellow (s.t.15190)[yel] Country:United States of America[USA]
3	859851	RH rear fairing dec.	1	Year:2008[8] Vehicle colour:Diablo Black (s.t.858611)[dia08]
3	859860	RH rear fairing dec.	1	Year:2008[8] Vehicle colour:Silver Crowd (s.t.858612)[cro]
3	859866	RH rear fairing dec.	1	Year:2008[8] Vehicle colour:Code Orange (s.t.858613)[cod]
3	859872	RH rear fairing dec.	1	Year:2008[8] Vehicle colour:Aprilia White 2008 (s.t.858614)[white08]
3	890044	RH rear fairing dec.	1	Year:2008[8] Vehicle colour:Talmacsi (s.t.860954)[tal]
3	AP8166923	RH rear fairing dec. Criniera	1	Year:2006[6], 2007[7] Vehicle colour:Silver Mirror (s.t.15188)[sil]
3	AP8166938	RH rear fairing dec. Criniera	1	Year:2006[6], 2007[7]

<b>Group</b>	FRAME
<b>Code</b>	28.54
<b>Description</b>	Decalco post.
<b>Service</b>	1



Pos.	Code	Description	Qty	Variants
				Vehicle colour:Diablo Black (s.t.15189)[dia]
3	AP8166953	RH rear fairing dec. Criniera	1	Year:2006[6], 2007[7] Vehicle colour:Lemon Yellow (s.t.15190)[yel]
3	AP8277531	RH rear fairing dec. Criniera	1	Year:2004[4] Vehicle colour:Aprilia Black (s.t.14707)[black]
3	AP8277547	RH rear fairing dec. Criniera	1	Year:2004[4] Vehicle colour:Speed Orange (s.t.14721)[orange]
4	859852	LH rear fairing dec.	1	Year:2008[8] Vehicle colour:Diablo Black (s.t.858611)[dia08]
4	859861	LH rear fairing dec.	1	Year:2008[8] Vehicle colour:Silver Crowd (s.t.858612)[cro]
4	859867	LH rear fairing dec.	1	Year:2008[8] Vehicle colour:Code Orange (s.t.858613)[cod]
4	859873	LH rear fairing dec.	1	Year:2008[8] Vehicle colour:Aprilia White 2008 (s.t.858614)[white08]
4	890045	LH rear fairing dec.	1	Year:2008[8] Vehicle colour:Talmacsi (s.t.860954)[tal]
4	AP8166924	LH rear fairing dec. Criniera	1	Year:2006[6], 2007[7] Vehicle colour:Silver Mirror (s.t.15188)[sil]
4	AP8166939	LH rear fairing dec. Criniera	1	Year:2006[6], 2007[7] Vehicle colour:Diablo Black (s.t.15189)[dia]
4	AP8166954	LH rear fairing dec. Criniera	1	Year:2006[6], 2007[7] Vehicle colour:Lemon Yellow (s.t.15190)[yel]
4	AP8277532	LH rear fairing dec. Criniera	1	Year:2004[4] Vehicle colour:Aprilia Black (s.t.14707)[black]
4	AP8277548	LH rear fairing dec. Criniera	1	Year:2004[4] Vehicle colour:Speed Orange (s.t.14721)[orange]
5	859853	RH rear fairing dec.	1	Year:2008[8] Vehicle colour:Code Orange (s.t.858613)[cod], Silver Crowd (s.t.858612)[cro], Aprilia White 2008 (s.t.858614)[white08]
5	860273	RH rear fairing dec.	1	Year:2008[8] Vehicle colour:Diablo Black (s.t.858611)[dia08]

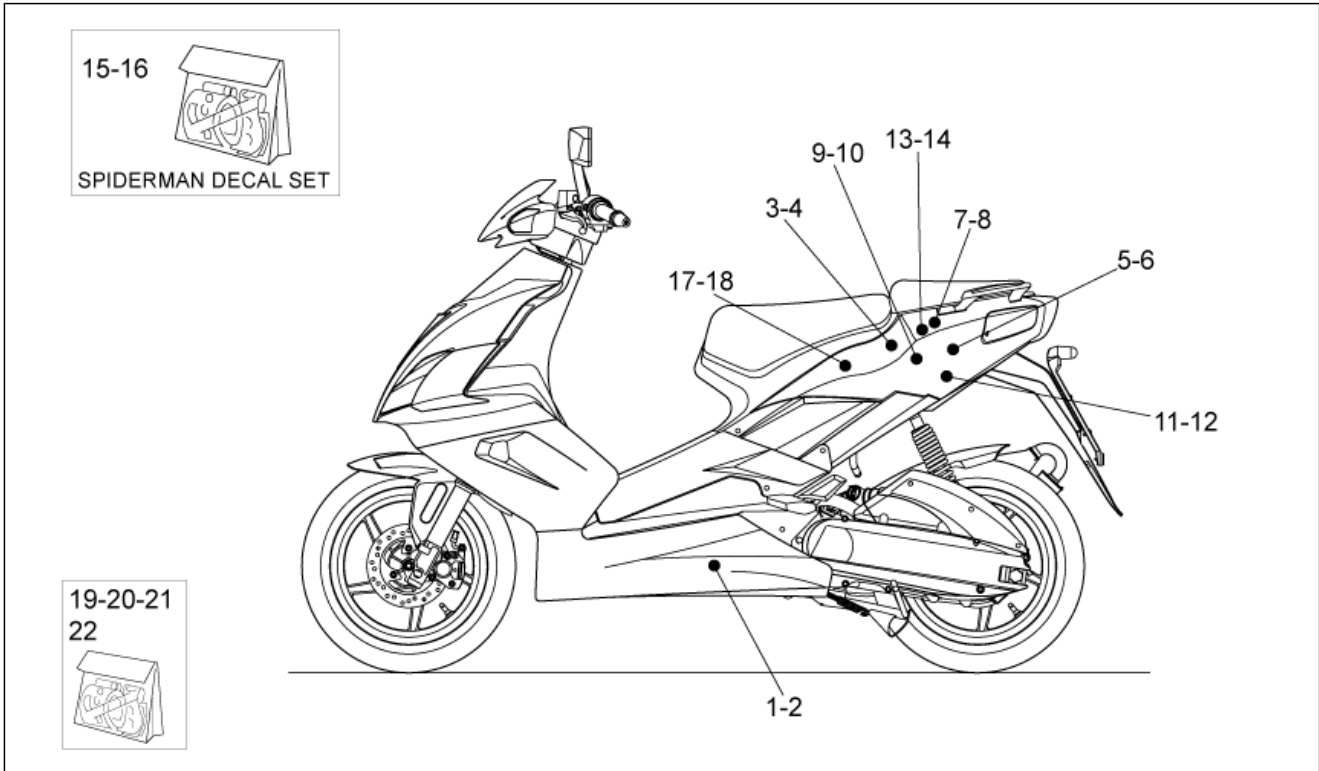
<b>Group</b>	FRAME
<b>Code</b>	28.54
<b>Description</b>	Decalco post.
<b>Service</b>	1



Pos.	Code	Description	Qty	Variants
5	890046	RH rear fairing dec.	1	Year:2008[8] Vehicle colour:Talmacci (s.t.860954)[tal]
5	AP8166925	RH rear fairing dec. Criniera	1	Year:2006[6], 2007[7] Vehicle colour:Silver Mirror (s.t.15188)[sil]
5	AP8166940	RH rear fairing dec. Criniera	1	Year:2006[6], 2007[7] Vehicle colour:Diablo Black (s.t.15189)[dia]
5	AP8166955	LH rear fairing dec. Criniera	1	Year:2006[6], 2007[7] Vehicle colour:Lemon Yellow (s.t.15190)[yel]
5	AP8277533	RH rear fairing dec. Criniera	1	Year:2004[4] Vehicle colour:Aprilia Black (s.t.14707)[black]
5	AP8277549	RH rear fairing dec. Criniera	1	Year:2004[4] Vehicle colour:Speed Orange (s.t.14721)[orange]
6	859854	LH rear fairing dec.	1	Year:2008[8] Vehicle colour:Code Orange (s.t.858613)[cod], Silver Crowd (s.t.858612)[cro], Aprilia White 2008 (s.t.858614)[white08]
6	860274	LH rear fairing dec.	1	Year:2008[8] Vehicle colour:Diablo Black (s.t.858611)[dia08]
6	890047	LH rear fairing dec.	1	Year:2008[8] Vehicle colour:Talmacci (s.t.860954)[tal]
6	AP8166926	LH rear fairing dec. Criniera	1	Year:2006[6], 2007[7] Vehicle colour:Silver Mirror (s.t.15188)[sil]
6	AP8166941	LH rear fairing dec. Criniera	1	Year:2006[6], 2007[7] Vehicle colour:Diablo Black (s.t.15189)[dia]
6	AP8166956	LH rear fairing dec. Criniera	1	Year:2006[6], 2007[7] Vehicle colour:Lemon Yellow (s.t.15190)[yel]
6	AP8277534	LH rear fairing dec. Criniera	1	Year:2004[4] Vehicle colour:Aprilia Black (s.t.14707)[black]
6	AP8277550	LH rear fairing dec. Criniera	1	Year:2004[4] Vehicle colour:Speed Orange (s.t.14721)[orange]
7	AP8166927	RH rear fairing dec.	1	Year:2006[6], 2007[7] Vehicle colour:Silver Mirror (s.t.15188)[sil]
7	AP8166942	RH rear fairing dec.	1	Year:2006[6], 2007[7]

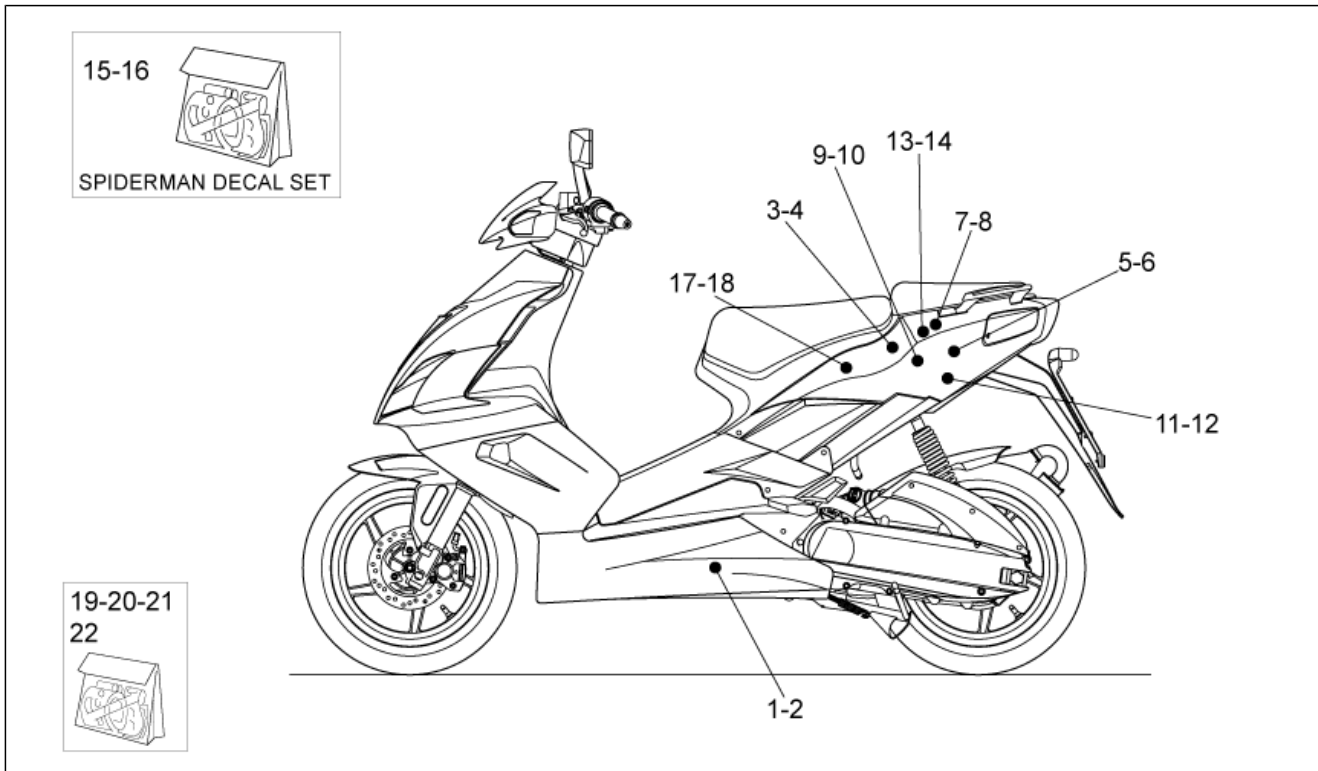


<b>Group</b>	FRAME
<b>Code</b>	28.54
<b>Description</b>	Decalco post.
<b>Service</b>	1



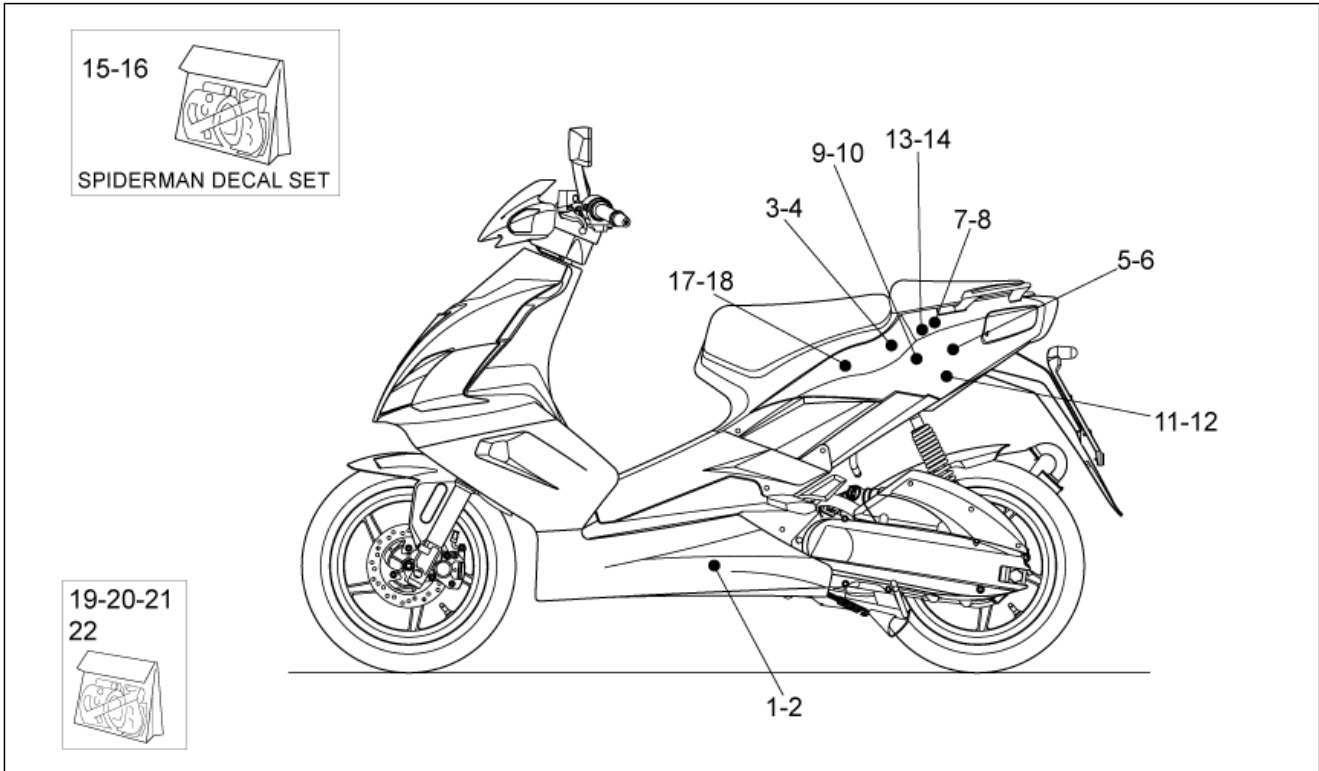
Pos.	Code	Description	Qty	Variants
				Vehicle colour:Diablo Black (s.t.15189)[dia]
7	AP8277535	RH rear fairing dec.	1	Year:2004[4] Vehicle colour:Aprilia Black (s.t.14707)[black]
7	AP8277535	RH rear fairing dec.	1	Year:2006[6], 2007[7] Vehicle colour:Lemon Yellow (s.t.15190)[yel]
7	AP8277551	RH rear fairing dec.	1	Year:2004[4] Vehicle colour:Speed Orange (s.t.14721)[orange]
7	AP8277718	RH rear fairing dec. I	1	Year:2006[6] Vehicle colour:Replica White (s.t.15103)[repl.white]
8	AP8166928	LH rear fairing dec.	1	Year:2006[6], 2007[7] Vehicle colour:Silver Mirror (s.t.15188)[sil]
8	AP8166943	LH rear fairing dec.	1	Year:2006[6], 2007[7] Vehicle colour:Diablo Black (s.t.15189)[dia]
8	AP8277536	LH rear fairing dec.	1	Year:2006[6], 2007[7] Vehicle colour:Lemon Yellow (s.t.15190)[yel]
8	AP8277536	LH rear fairing dec.	1	Year:2004[4] Vehicle colour:Aprilia Black (s.t.14707)[black]
8	AP8277552	LH rear fairing dec.	1	Year:2004[4] Vehicle colour:Speed Orange (s.t.14721)[orange]
8	AP8277719	LH rear fairing dec. I	1	Year:2006[6] Vehicle colour:Replica White (s.t.15103)[repl.white]
9	AP8277564	RH rear fairing dec., black 2	1	Year:2004[4] Vehicle colour:Aprilia White (s.t.14722)[white]
10	AP8277567	LH rear fairing decal red 2	1	Year:2004[4] Vehicle colour:Aprilia White (s.t.14722)[white]
11	AP8277565	RH rear fairing dec., black 3	1	Year:2004[4] Vehicle colour:Aprilia White (s.t.14722)[white]
12	AP8277568	LH rear fairing decal red 3	1	Year:2004[4] Vehicle colour:Aprilia White (s.t.14722)[white]
13	860277	Rear fairing decal	2	Year:2008[8] Vehicle colour:Diablo Black (s.t.858611)[dia08] Technical Specifications:Injection Version (C361M)[ie]

<b>Group</b>	FRAME
<b>Code</b>	28.54
<b>Description</b>	Decalco post.
<b>Service</b>	1



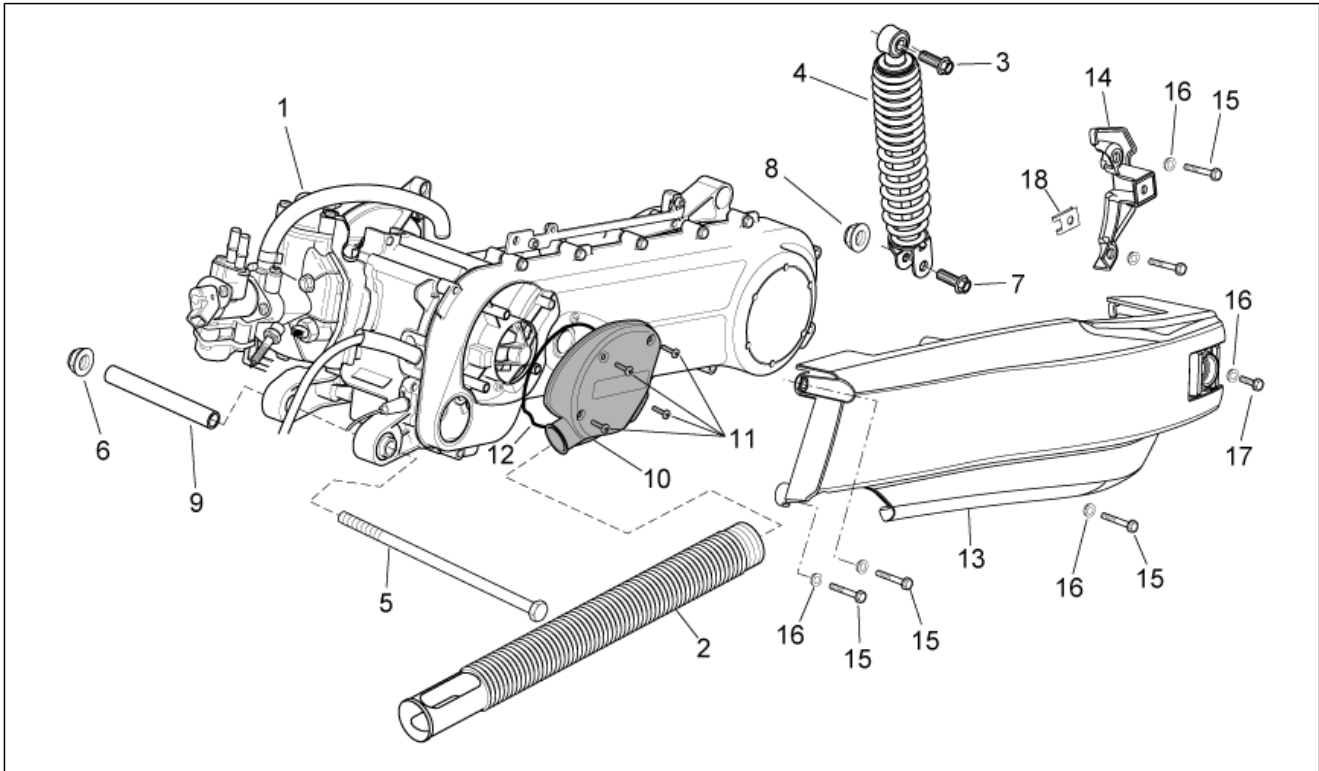
Pos.	Code	Description	Qty	Variants
13	AP8166929	Rear fairing decal Factory	2	Year:2006[6], 2007[7] Vehicle colour:Silver Mirror (s.t.15188)[sil] Technical Specifications:Injection Version (C361M)[ie]
13	AP8166944	Rear fairing decal Factory	2	Year:2006[6], 2007[7] Vehicle colour:Diablo Black (s.t.15189)[dia] Technical Specifications:Injection Version (C361M)[ie]
13	AP8277574	Rear fairing decal Factory	2	Year:2004[4], 2005[5] Vehicle colour:Aprilia Black (s.t.14707)[black], Speed Orange (s.t.14721)[orange], Spiderman (s.t.14792)[spider], Aprilia White (s.t.14722)[white] Technical Specifications:Injection Version (C361M)[ie]
13	AP8277574	Rear fairing decal Factory	2	Year:2006[6], 2007[7] Vehicle colour:Lemon Yellow (s.t.15190)[yel] Technical Specifications:Injection Version (C361M)[ie]
14	AP8277569	LH rear fairing dec. SR Factory	1	Year:2004[4] Vehicle colour:Aprilia White (s.t.14722)[white]
14	AP8277722	LH rear fairing dec. Factory	1	Year:2006[6] Vehicle colour:Replica White (s.t.15103)[repl.white] Technical Specifications:Injection Version (C361M)[ie]
15	AP8277603	RH Decal set	1	Year:2005[5] Vehicle colour:Spiderman (s.t.14792)[spider]
16	AP8277604	LH Decal set	1	Year:2005[5] Vehicle colour:Spiderman (s.t.14792)[spider]
17	AP8277563	RH rear fairing dec., black 1	1	Year:2004[4] Vehicle colour:Aprilia White (s.t.14722)[white]
17	AP8277720	RH rear fairing dec., black bandiera	1	Year:2006[6] Vehicle colour:Replica White (s.t.15103)[repl.white]
18	AP8277566	LH rear fairing dec. 1	1	Year:2004[4] Vehicle colour:Aprilia White (s.t.14722)[white]
18	AP8277721	LH rear fairing decal red bandiera	1	Year:2006[6] Vehicle colour:Replica White (s.t.15103)[repl.white]
19	AP8166478	Technical decal set	1	
20	895058	Decal set	1	Year:2009[9]

<b>Group</b>	FRAME
<b>Code</b>	28.54
<b>Description</b>	Decalco post.
<b>Service</b>	1



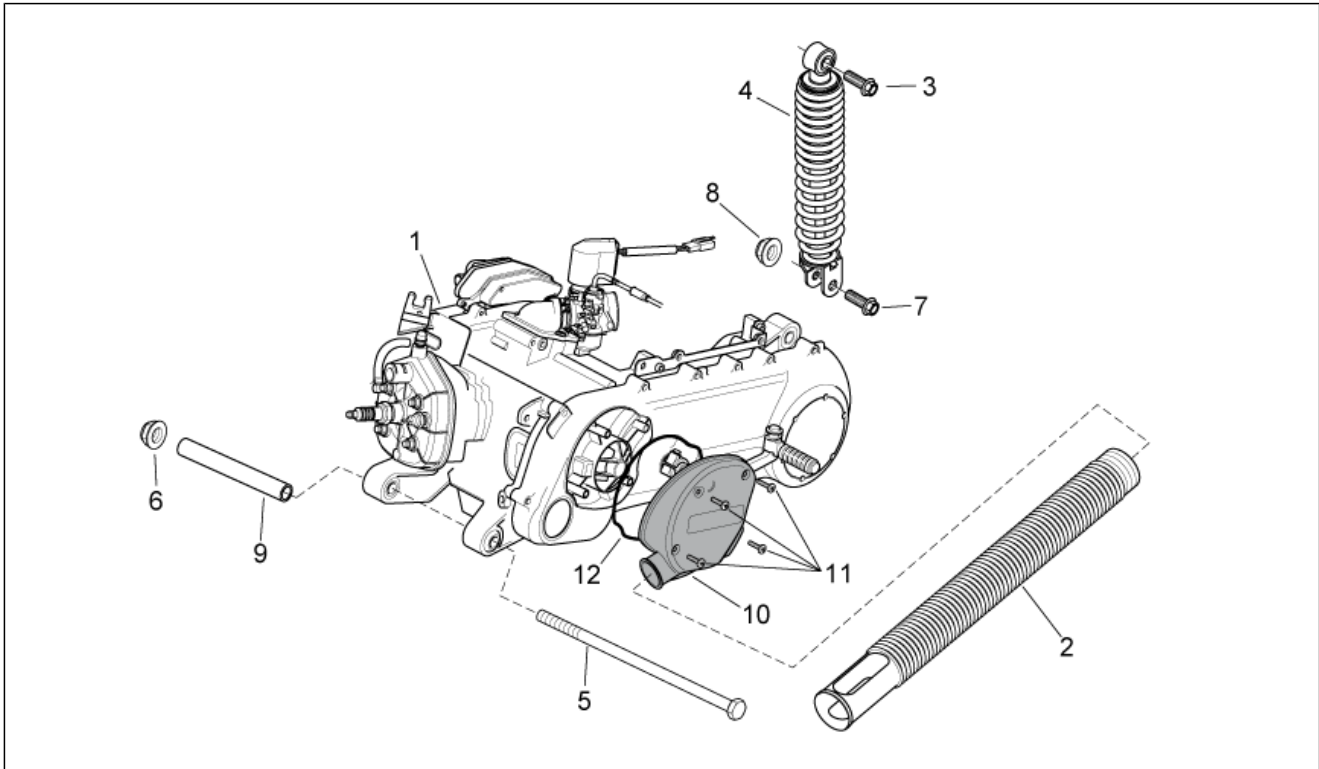
Pos.	Code	Description	Qty	Variants
				Vehicle colour: Superbike Replica (s.t.895057)[sbk] Technical Specifications: Injection Version (C361M)[ie]
20	895059	Decal set	1	Year: 2009[9] Vehicle colour: Superbike Replica (s.t.895057)[sbk] Technical Specifications: Carburetor Version (C364M)[carb]
21	852350	Decal set	1	Year: 2007[7] Vehicle colour: Spain's number 1 (S.T.852261)[spain7] Technical Specifications: Injection Version (C361M)[ie]
21	856491	Decal set	1	Year: 2008[8] Vehicle colour: Spain's N°1 (S.T.856881)[spain8] Technical Specifications: Injection Version (C361M)[ie]
22	852351	Decal set	1	Year: 2007[7] Vehicle colour: Spain's number 1 (S.T.852261)[spain] Technical Specifications: Carburetor Version (C364M)[carb]

<b>Group</b>	ENGINE
<b>Code</b>	29.26
<b>Description</b>	Engine I
<b>Service</b>	1



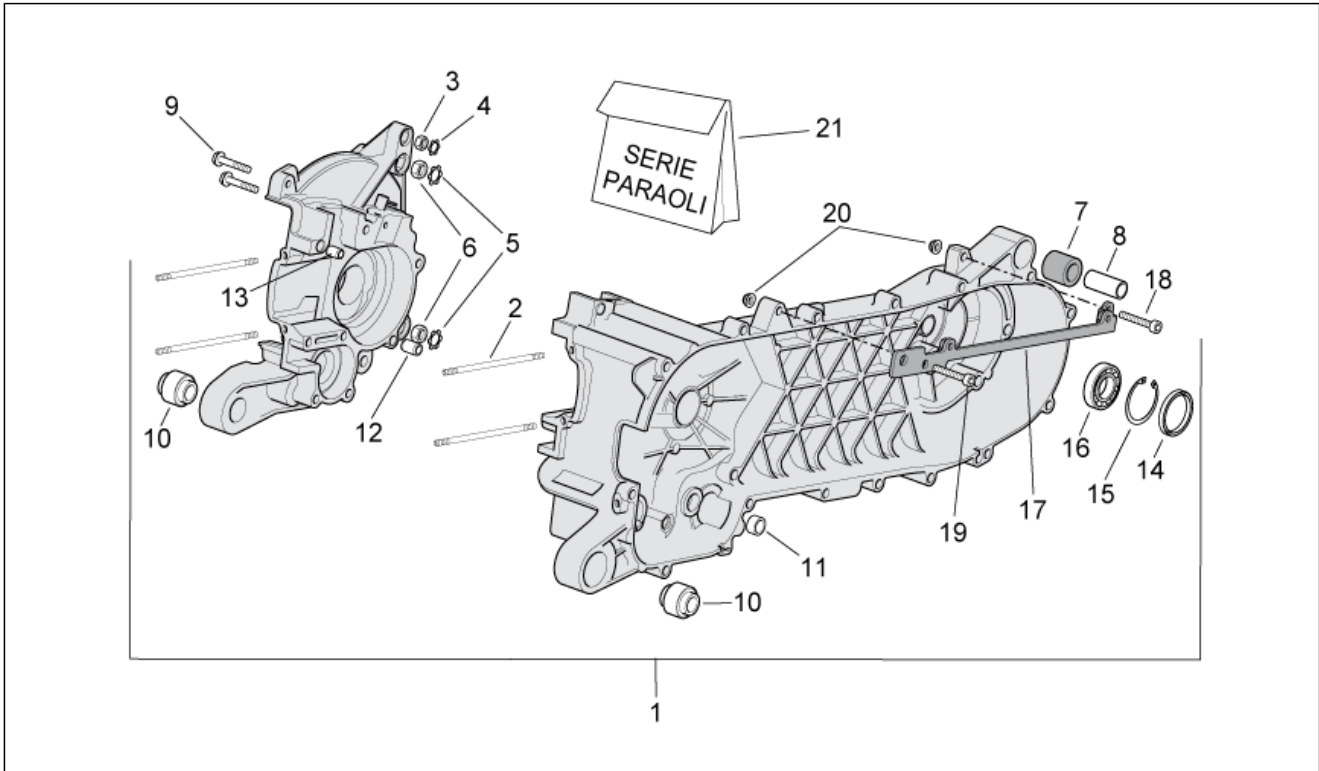
Pos.	Code	Description	Qty	Variants
1	8423145	Engine e.i.	1	<b>Country:</b> I-B-GR-D[EU] <b>Technical Specifications:</b> Limited version 45 Km/h[45km], Injection Version (C361M)[ie]
1	8740005	Engine e.i.	1	<b>Country:</b> United States of America[USA] <b>Technical Specifications:</b> Injection Version (C361M)[ie]
1	8740975	Engine e.i.	1	<b>Country:</b> I-B-GR-D[EU] <b>Technical Specifications:</b> Limited version 25Km/h[25km], Injection Version (C361M)[ie]
1	8740985	Engine e.i.	1	<b>Country:</b> I-B-GR-D[EU] <b>Technical Specifications:</b> Limited version 30 Km/h[30km], Injection Version (C361M)[ie]
1	8762945	Engine e.i.	1	<b>Country:</b> Japan[JJ] <b>Technical Specifications:</b> Injection Version (C361M)[ie]
2	AP8220704	Variator air intake	1	<b>Technical Specifications:</b> Injection Version (C361M)[ie]
3	AP8152318	Screw w/ flange M10x35	1	<b>Technical Specifications:</b> Injection Version (C361M)[ie]
4	AP8223036	Yellow spring absorber	1	<b>Technical Specifications:</b> Injection Version (C361M)[ie]
5	AP8150412	Screw	1	<b>Technical Specifications:</b> Injection Version (C361M)[ie]
6	AP8152301	Self-locking nut	1	<b>Technical Specifications:</b> Injection Version (C361M)[ie]
7	AP8152410	Screw w/ flange M10x55	1	<b>Technical Specifications:</b> Injection Version (C361M)[ie]
8	AP8152301	Self-locking nut	1	<b>Technical Specifications:</b> Injection Version (C361M)[ie]
9	AP8221347	Engine pivot pin bush	1	<b>Technical Specifications:</b> Injection Version (C361M)[ie]
10	482404	Variator cover	1	<b>Technical Specifications:</b> Injection Version (C361M)[ie]
11	AP8150515	Vite automaschiante reg.faro	4	<b>Technical Specifications:</b> Injection Version (C361M)[ie]
12	482432	Antidust gasket	1	<b>Technical Specifications:</b> Injection Version (C361M)[ie]
13	AP8268026	Variator cover	1	<b>Technical Specifications:</b> Injection Version (C361M)[ie]
14	AP8220705	Cover support	1	<b>Technical Specifications:</b> Injection Version (C361M)[ie]
15	AP8152282	Screw w/ flange M6x35	5	<b>Technical Specifications:</b> Injection Version (C361M)[ie]
16	AP8121811	T bush	6	<b>Technical Specifications:</b> Injection Version (C361M)[ie]
17	598839	Screw w/ flange	1	<b>Technical Specifications:</b> Injection Version (C361M)[ie]
18	254485	Spring plate M6	1	<b>Technical Specifications:</b> Injection Version (C361M)[ie]

<b>Group</b>	ENGINE
<b>Code</b>	29.27
<b>Description</b>	Engine II
<b>Service</b>	1



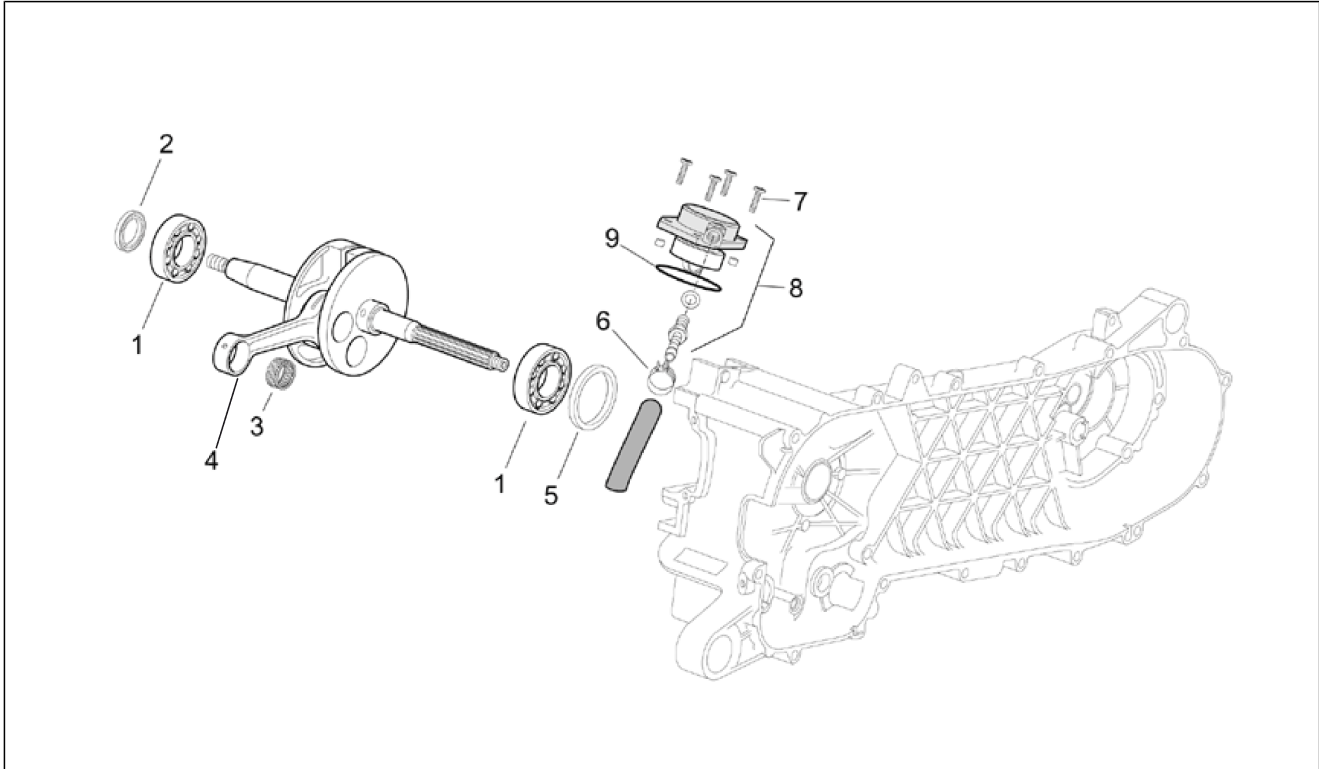
Pos.	Code	Description	Qty	Variants
1	CM1439035	Carb. Engine	1	<b>Technical Specifications:</b> Carburetor Version (C364M)[carb]
2	AP8220704	Variator air intake	1	<b>Technical Specifications:</b> Carburetor Version (C364M)[carb]
3	AP8152318	Screw w/ flange M10x35	1	<b>Technical Specifications:</b> Carburetor Version (C364M)[carb]
4	AP8223036	Yellow spring absorber	1	<b>Technical Specifications:</b> Carburetor Version (C364M)[carb]
5	AP8150412	Screw	1	<b>Technical Specifications:</b> Carburetor Version (C364M)[carb]
6	AP8152301	Self-locking nut	1	<b>Technical Specifications:</b> Carburetor Version (C364M)[carb]
7	AP8152410	Screw w/ flange M10x55	1	<b>Technical Specifications:</b> Carburetor Version (C364M)[carb]
8	AP8152301	Self-locking nut	1	<b>Technical Specifications:</b> Carburetor Version (C364M)[carb]
9	AP8221347	Engine pivot pin bush	1	<b>Technical Specifications:</b> Carburetor Version (C364M)[carb]
10	482404	Variator cover	1	<b>Technical Specifications:</b> Carburetor Version (C364M)[carb]
11	AP8150515	Vite automaschianti reg.faro	4	<b>Technical Specifications:</b> Carburetor Version (C364M)[carb]
12	482432	Antidust gasket	1	<b>Technical Specifications:</b> Carburetor Version (C364M)[carb]

<b>Group</b>	ENGINE
<b>Code</b>	29.39
<b>Description</b>	Crank-case
<b>Service</b>	1



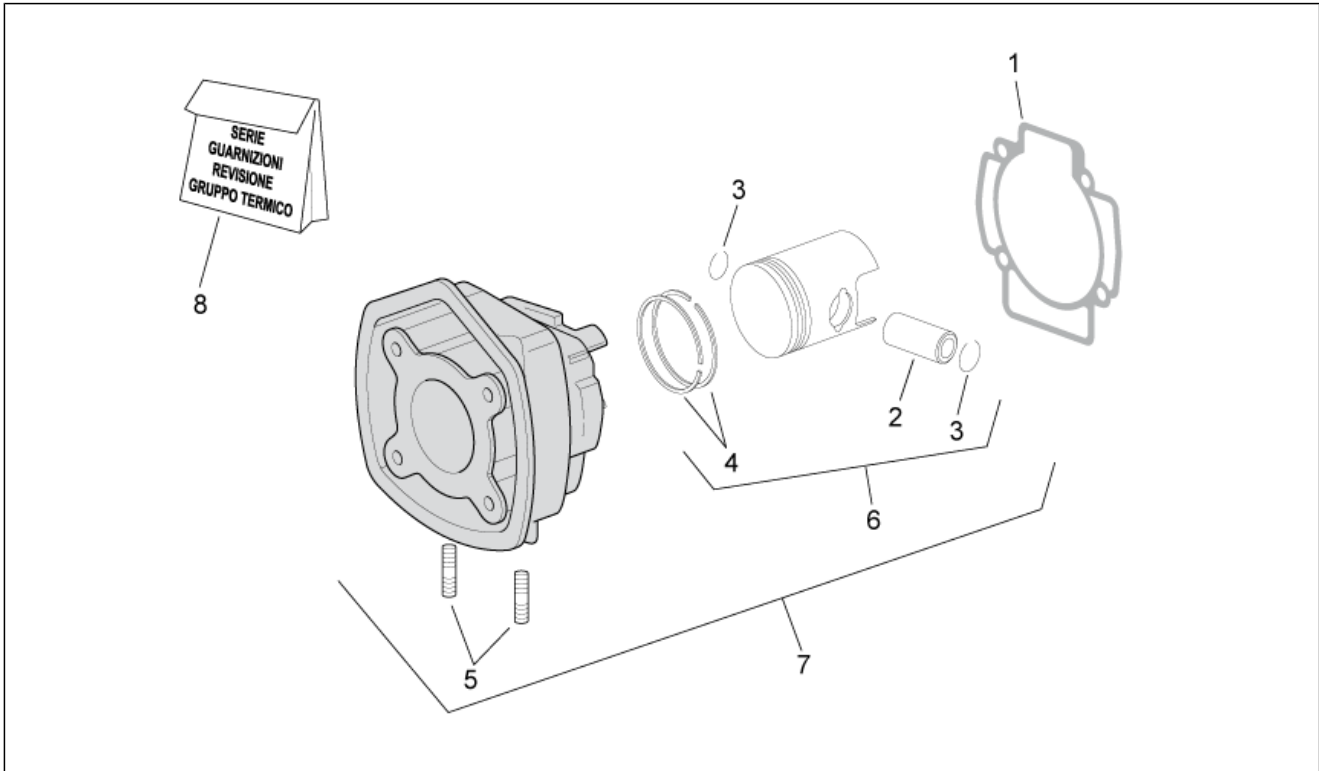
Pos.	Code	Description	Qty	Variants
1	8294235	Crankcase assy	1	<b>Technical Specifications:</b> Injection Version (C361M)[ie]
1	CM1273235	Crankcase assy	1	<b>Technical Specifications:</b> Carburetor Version (C364M)[carb]
2	239382	Stud bolt	4	
3	020006	Nut	1	
4	829376	Stop ring	1	
5	829377	Stop ring	2	
6	020008	Nut M8	2	
7	267823	Shock absorber connection silent block	1	
8	266625	Spacer	1	
9	414835	screw	8	
10	266773	Silent-block	2	<b>Technical Specifications:</b> Carburetor Version (C364M)[carb]
10	486081	Silent-block	2	<b>Technical Specifications:</b> Injection Version (C361M)[ie]
11	4352035	Gasket ring	1	
12	431860	Bush $\varnothing 8 \times \varnothing 12 \times 8$	1	
13	239388	Pin 6,5x9,5x15	2	
14	478498	Gasket ring	1	
15	006647	Circlip	1	
16	434735	Bearing 20x47x14	1	
17	AP8234213	Air box fixing support	1	
18	AP8150220	Hex socket screw M6x30	1	
19	AP8152003	Hex socket screw M6x40	1	
20	AP8152299	Self-locking nut M6	2	
21	497339	Oil seals - set	1	<b>Technical Specifications:</b> Injection Version (C361M)[ie]
21	498337	Oil seals - set	1	<b>Technical Specifications:</b> Carburetor Version (C364M)[carb]

<b>Group</b>	ENGINE
<b>Code</b>	29.40
<b>Description</b>	Drive shaft
<b>Service</b>	1



Pos.	Code	Description	Qty	Variants
1	431125	Bearing 20x52x12	2	<b>Technical Specifications:</b> Carburetor Version (C364M)[carb]
1	431125	Bearing 20x52x12	2	<b>Technical Specifications:</b> Injection Version (C361M)[ie]
2	482315	Flywheel side seal ring	1	
3	500501	Pin cage 1 cat.	1	
3	500502	Pin cage 2 cat.	1	
3	500503	Pin cage 3 cat.	1	
3	500504	Pin cage 4 cat.	1	
4	8269405	Crankshaft cpl.	1	<b>Technical Specifications:</b> Injection Version (C361M)[ie]
4	8338275	Crankshaft cpl.	1	<b>Technical Specifications:</b> Carburetor Version (C364M)[carb]
5	482314	Gear side seal ring	1	
6	CM001913	Hose clamp	1	<b>Technical Specifications:</b> Injection Version (C361M)[ie]
7	015856	screw M5x21	4	<b>Technical Specifications:</b> Injection Version (C361M)[ie]
8	826949	Compressor	1	<b>Technical Specifications:</b> Injection Version (C361M)[ie]
9	830585	O-ring	1	<b>Technical Specifications:</b> Injection Version (C361M)[ie]
10	82768R	Oil valve cpl.	1	

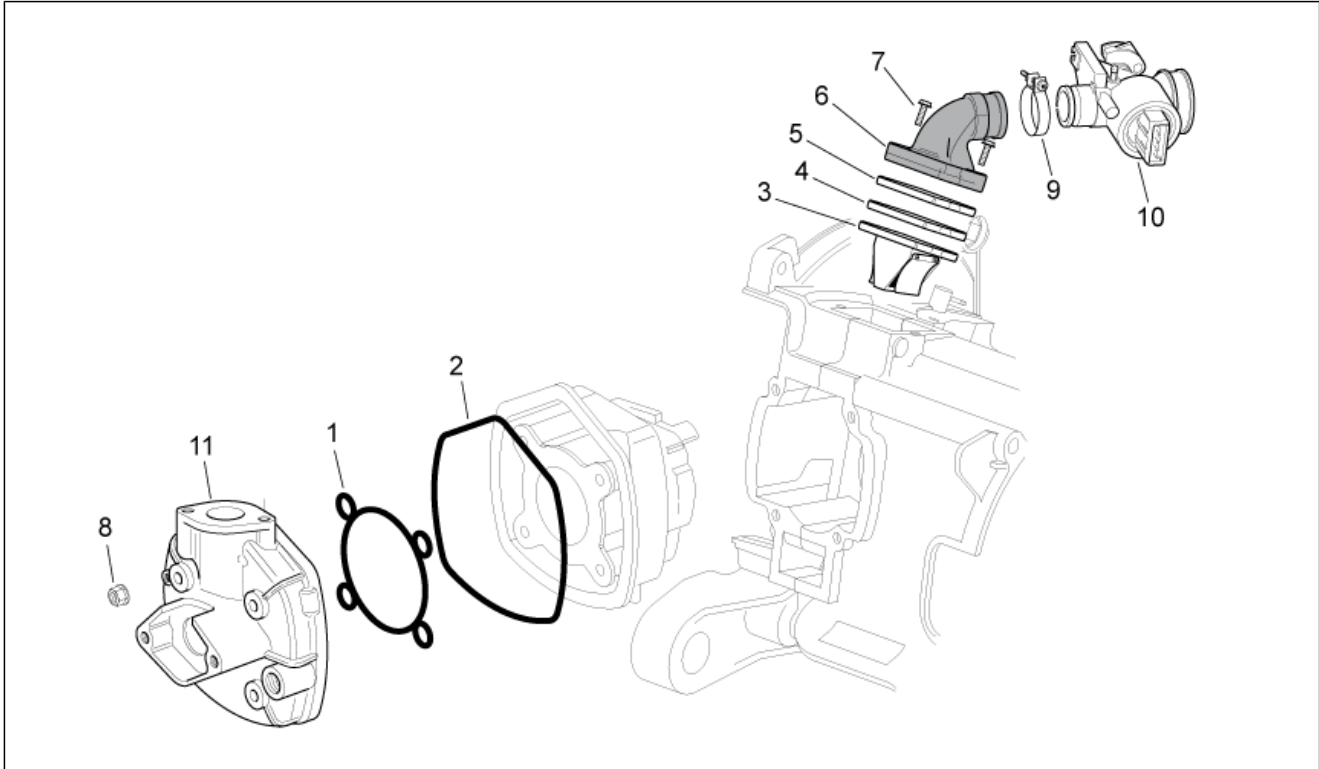
<b>Group</b>	ENGINE
<b>Code</b>	29.41
<b>Description</b>	Cylinder with piston
<b>Service</b>	1



Pos.	Code	Description	Qty	Variants
1	827301	Gasket sp0,4	1	
1	827303	Gasket sp0,6	1	
1	829633	Gasket sp0,8	1	
2	239404	Piston pin	1	
3	239455	Stop ring	2	
4	825416	Gasket ring	2	
4	827853	Gasket ring	2	
4	827854	Gasket ring	2	
5	239397	Stud bolt M6	2	
6	4878020001	Piston assy 1cat.(M)	1	<b>Technical Specifications:</b> Carburetor Version (C364M)[carb]
6	4878020001	Piston assy 1cat.(M)	1	<b>Technical Specifications:</b> Injection Version (C361M)[ie]
6	4878020002	Piston assy 2cat.(N)	1	<b>Technical Specifications:</b> Injection Version (C361M)[ie]
6	4878020002	Piston assy 2cat.(N)	1	<b>Technical Specifications:</b> Carburetor Version (C364M)[carb]
6	4878020003	Piston assy 3cat.(O)	1	<b>Technical Specifications:</b> Carburetor Version (C364M)[carb]
6	4878020003	Piston assy 3cat.(O)	1	<b>Technical Specifications:</b> Injection Version (C361M)[ie]
6	4878020004	Piston assy 4cat.(P)	1	<b>Technical Specifications:</b> Injection Version (C361M)[ie]
6	4878020004	Piston assy 4cat.(P)	1	<b>Technical Specifications:</b> Carburetor Version (C364M)[carb]
6	825185	Piston assy 2M	1	<b>Technical Specifications:</b> Carburetor Version (C364M)[carb]
7	833598	Cylinder with piston 1M	1	<b>Technical Specifications:</b> Injection Version (C361M)[ie]
7	833598	Cylinder with piston 1M	1	<b>Technical Specifications:</b> Carburetor Version (C364M)[carb]
8	497338	Cylinder gasket kit	1	<b>Technical Specifications:</b> Injection Version (C361M)[ie]
8	498470	Cylinder gasket kit	1	<b>Technical Specifications:</b> Carburetor Version (C364M)[carb]

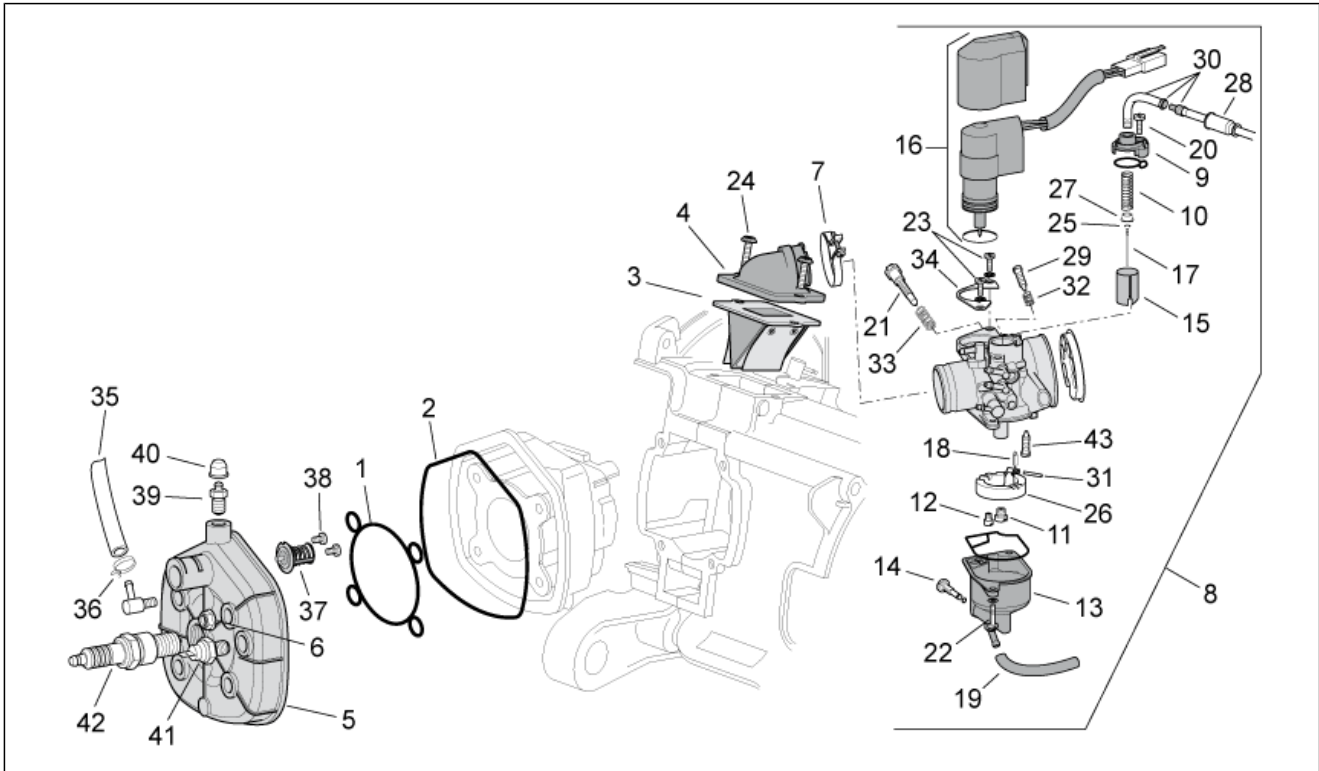


<b>Group</b>	ENGINE
<b>Code</b>	29.42
<b>Description</b>	Cylinder head/Throttle body
<b>Service</b>	1



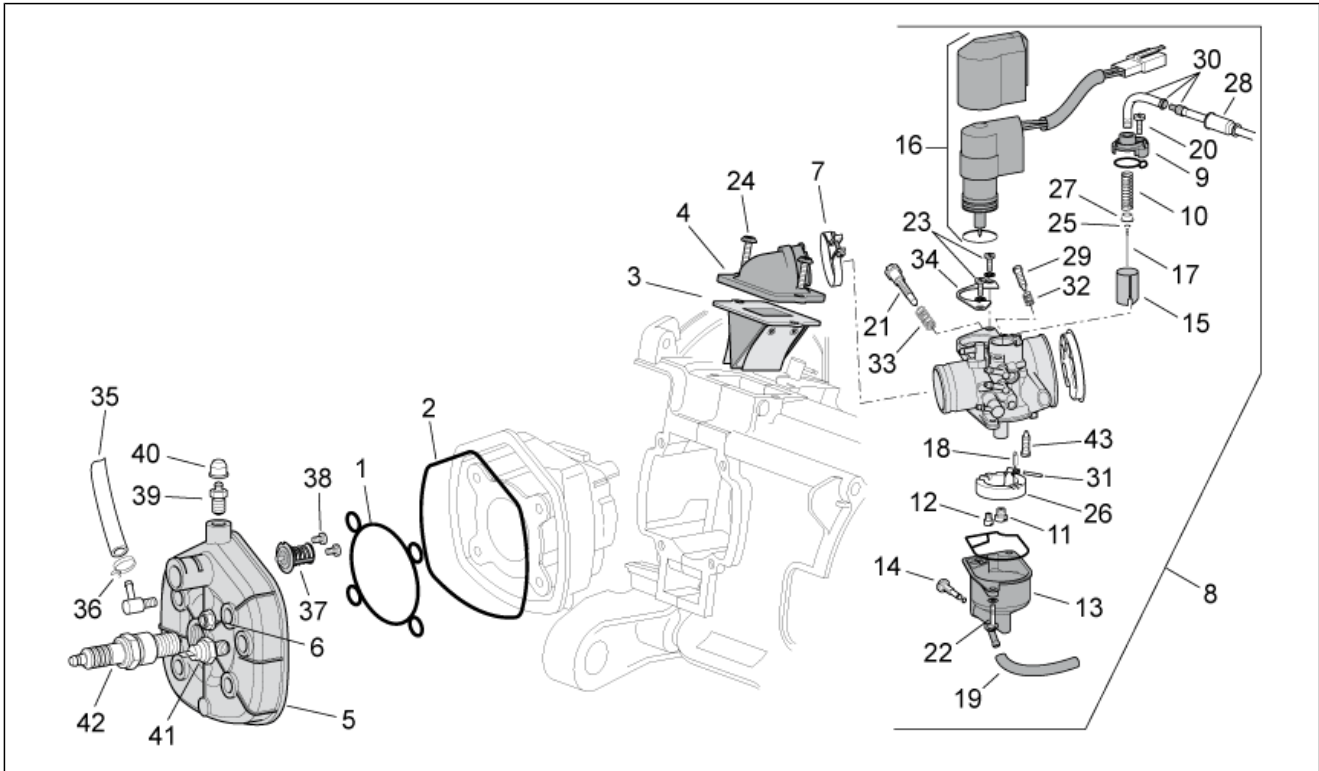
Pos.	Code	Description	Qty	Variants
1	288289	Inner gasket head	1	
2	482988	Outer gasket head	1	
3	82775R	Reed valve assy	1	<b>Technical Specifications:</b> Injection Version (C361M)[ie]
4	842626	Plate	1	<b>Technical Specifications:</b> Injection Version (C361M)[ie]
5	433361	Fuel intake valve gasket	1	<b>Technical Specifications:</b> Injection Version (C361M)[ie]
6	829703	Intake manifold	1	<b>Technical Specifications:</b> Injection Version (C361M)[ie]
7	830487	screw M6x25	2	<b>Technical Specifications:</b> Injection Version (C361M)[ie]
8	288245	Self locking nut M6	4	
9	825865	Hose clamp	1	
10	830096	Throttle body	1	<b>Technical Specifications:</b> Injection Version (C361M)[ie]
11	830202	Cylinder head	1	<b>Technical Specifications:</b> Injection Version (C361M)[ie]

<b>Group</b>	ENGINE
<b>Code</b>	29.43
<b>Description</b>	Cylinder head/Carburettor
<b>Service</b>	1



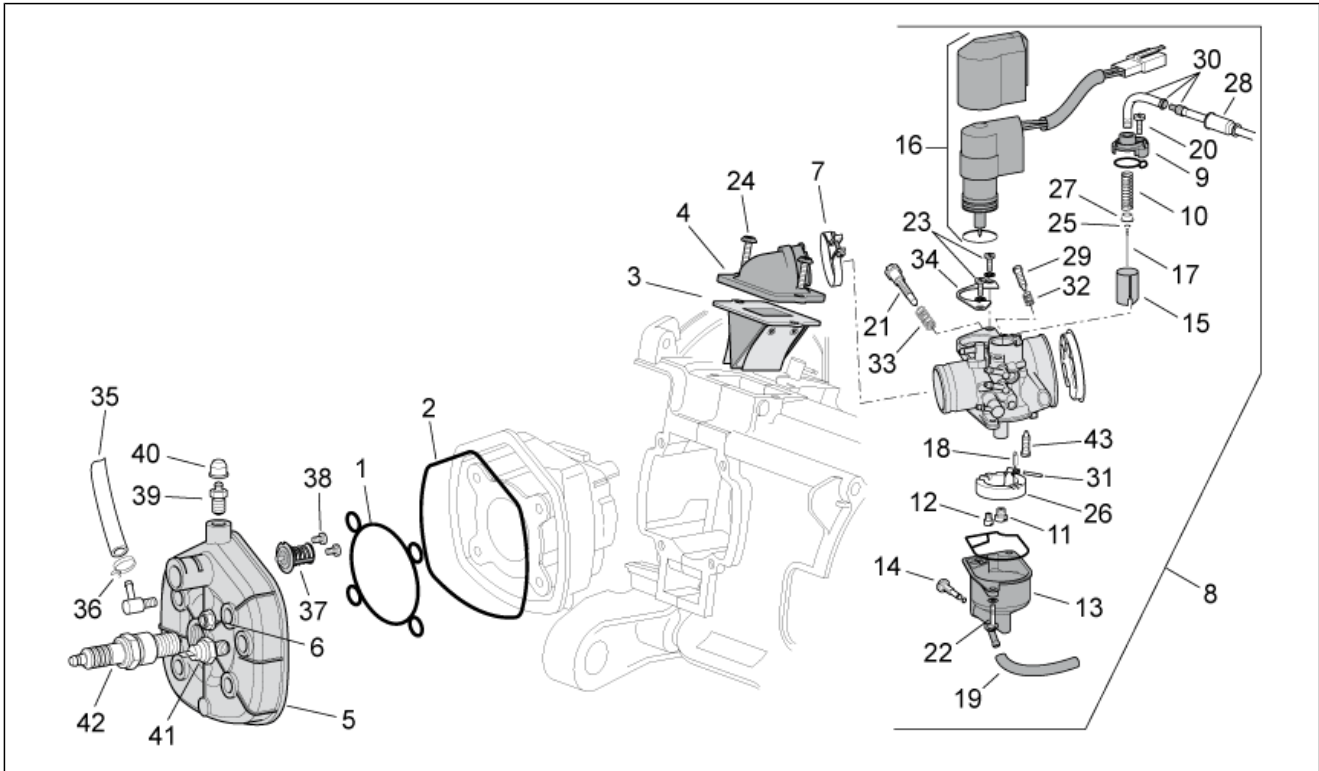
Pos.	Code	Description	Qty	Variants
1	288289	Inner gasket head	1	
2	482988	Outer gasket head	1	
3	82827R	Reed valve assy	1	<b>Technical Specifications:</b> Carburetor Version (C364M)[carb]
4	830939	Intake manifold	1	<b>Technical Specifications:</b> Carburetor Version (C364M)[carb]
5	826490	Cylinder head	1	<b>Technical Specifications:</b> Carburetor Version (C364M)[carb]
6	288245	Self locking nut M6	4	
7	825865	Hose clamp	1	
8	833708	Carburettor cpl.	1	<b>Country:</b> I-B-GR-D[EU] <b>Technical Specifications:</b> Carburetor Version (C364M)[carb]
8	AP8276087	Carburettor cpl.	1	<b>Country:</b> Japan[JJ] <b>Technical Specifications:</b> Carburetor Version (C364M)[carb]
9	431654	Gas valve cover	1	<b>Technical Specifications:</b> Carburetor Version (C364M)[carb]
10	482942	Gas valve spring	1	<b>Technical Specifications:</b> Carburetor Version (C364M)[carb]
11	CM101704	Main jet 53	1	<b>Country:</b> I-B-GR-D[EU] <b>Technical Specifications:</b> Carburetor Version (C364M)[carb]
11	CM101711	Main jet 60	1	<b>Country:</b> Japan[JJ] <b>Technical Specifications:</b> Carburetor Version (C364M)[carb]
11	CM101711	Main jet 60	1	<b>Technical Specifications:</b> Carburetor Version (C364M)[carb], CH version free speed[kit]
12	CM102103	Idle jet	1	<b>Technical Specifications:</b> Carburetor Version (C364M)[carb]
13	484704	Complete reservoir	1	<b>Technical Specifications:</b> Carburetor Version (C364M)[carb]
14	432456	screw	1	<b>Technical Specifications:</b> Carburetor Version (C364M)[carb]
15	CM141710	Gas valve	1	<b>Country:</b> I-B-GR-D[EU] <b>Technical Specifications:</b> Carburetor Version (C364M)[carb]
15	CM141711	Gas valve	1	<b>Technical Specifications:</b> Carburetor Version (C364M)[carb], CH version free speed[kit]
16	CM105905	Starter	1	<b>Technical Specifications:</b> Carburetor Version (C364M)[carb]
17	AP8276033	Conical pin A13	1	<b>Technical Specifications:</b> Carburetor Version (C364M)[carb], CH version free speed[kit]
17	CM107510	Conical pin	1	<b>Country:</b> I-B-GR-D[EU]

<b>Group</b>	ENGINE
<b>Code</b>	29.43
<b>Description</b>	Cylinder head/Carburettor
<b>Service</b>	1



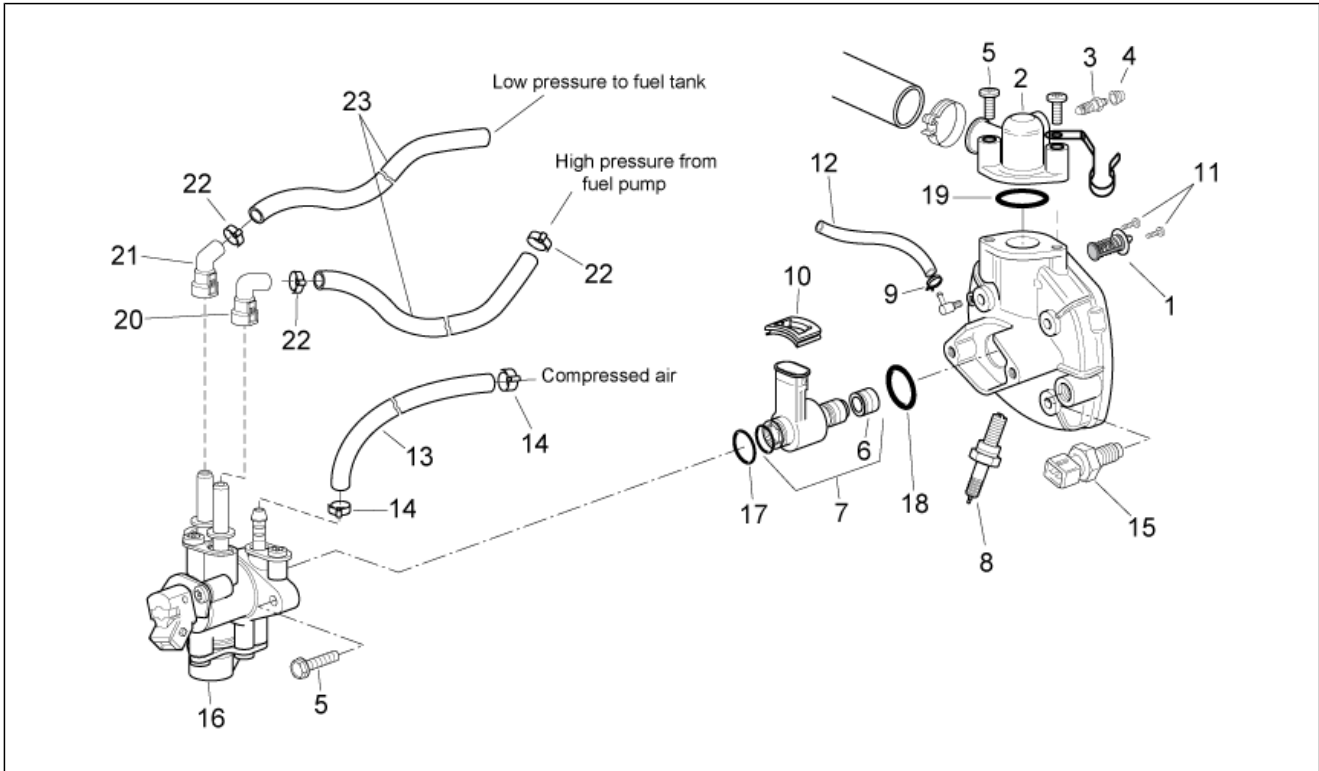
Pos.	Code	Description	Qty	Variants
				<b>Technical Specifications:</b> Carburetor Version (C364M)[carb]
18	CM128501	Fuel closing needle	1	<b>Technical Specifications:</b> Carburetor Version (C364M)[carb]
19	AP8550215	Float chamber dump pipe L=130	1	<b>Technical Specifications:</b> Carburetor Version (C364M)[carb]
20	288865	screw	1	<b>Technical Specifications:</b> Carburetor Version (C364M)[carb]
21	828074	Gas valve adjuster screw	1	<b>Technical Specifications:</b> Carburetor Version (C364M)[carb]
22	288862	Float chamber fixing screw	2	<b>Technical Specifications:</b> Carburetor Version (C364M)[carb]
23	289575	screw	2	<b>Technical Specifications:</b> Carburetor Version (C364M)[carb]
24	830487	screw M6x25	2	<b>Technical Specifications:</b> Carburetor Version (C364M)[carb]
25	288872	Ring	1	<b>Technical Specifications:</b> Carburetor Version (C364M)[carb]
26	482916	Float cpl.	1	<b>Technical Specifications:</b> Carburetor Version (C364M)[carb]
27	288873	Conical pin clip	1	<b>Technical Specifications:</b> Carburetor Version (C364M)[carb]
28	289903	Throttle cable cap	1	<b>Technical Specifications:</b> Carburetor Version (C364M)[carb]
29	CM107701	Air adjuster screw	1	<b>Technical Specifications:</b> Carburetor Version (C364M)[carb]
30	113903	Baffle tube	1	<b>Technical Specifications:</b> Carburetor Version (C364M)[carb]
31	288881	Float pin	1	<b>Technical Specifications:</b> Carburetor Version (C364M)[carb]
32	085285	Spring	1	<b>Technical Specifications:</b> Carburetor Version (C364M)[carb]
33	152608	Spring	1	<b>Technical Specifications:</b> Carburetor Version (C364M)[carb]
34	288863	Plate	1	<b>Technical Specifications:</b> Carburetor Version (C364M)[carb]
35	484260	Head-carb.by-pass pipe	1	<b>Technical Specifications:</b> Carburetor Version (C364M)[carb]
36	CM002901	Hose clamp	4	<b>Technical Specifications:</b> Carburetor Version (C364M)[carb]
37	483395	Thermostat	1	<b>Technical Specifications:</b> Carburetor Version (C364M)[carb]
38	256756	Self-tapping screw	2	<b>Technical Specifications:</b> Carburetor Version (C364M)[carb]
39	430045	Bleed screw	1	<b>Technical Specifications:</b> Carburetor Version (C364M)[carb]
40	063435	Bleed valve cap	1	<b>Technical Specifications:</b> Carburetor Version (C364M)[carb]
41	584573	Thermistor	1	<b>Technical Specifications:</b> Carburetor Version (C364M)[carb]
42	438031	Spark plug Champion RN1C	1	<b>Country:</b> I-B-GR-D[EU] <b>Technical Specifications:</b> Carburetor Version (C364M)[carb]
42	AP8206915	Spark plug BR9ES	1	<b>Technical Specifications:</b> Carburetor Version (C364M)[carb], CH version free speed[kit]

<b>Group</b>	ENGINE
<b>Code</b>	29.43
<b>Description</b>	Cylinder head/Carburettor
<b>Service</b>	1



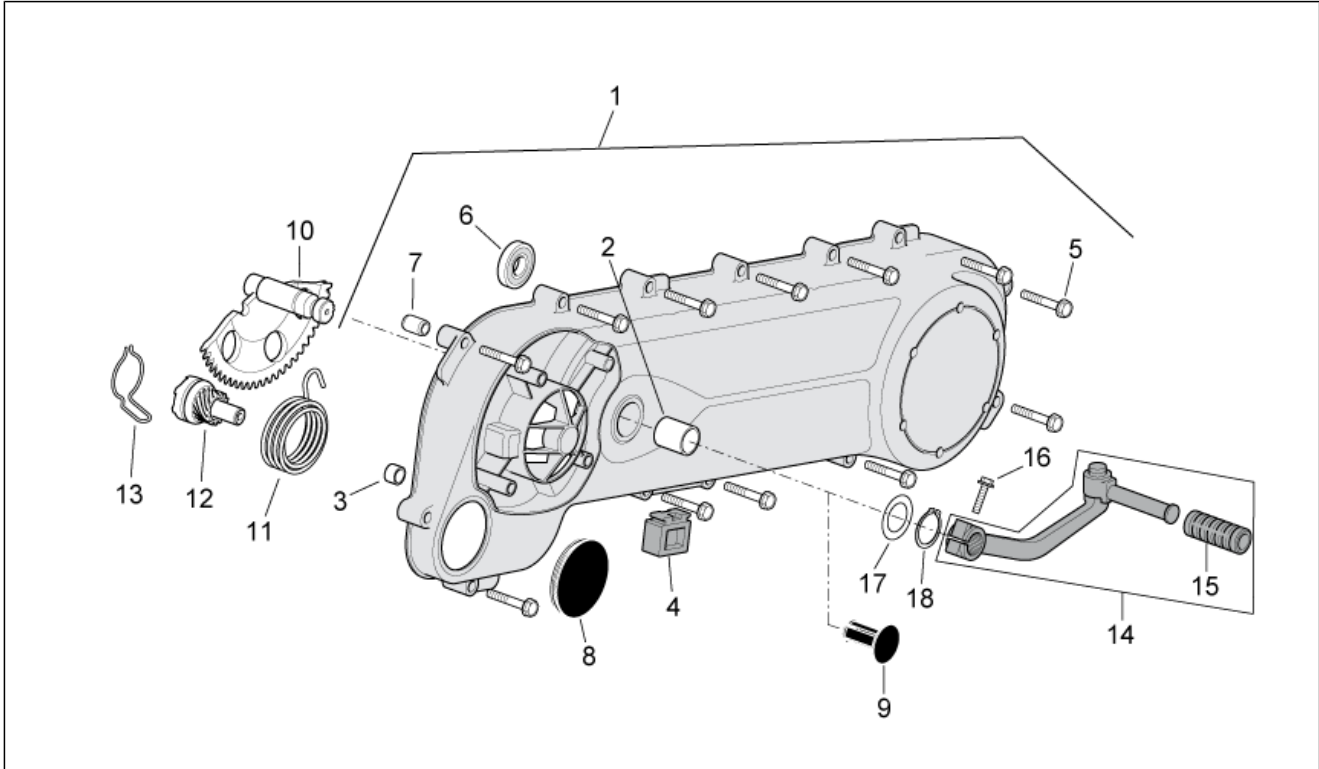
Pos.	Code	Description	Qty	Variants
43	CM106229	Needle valve	1	<b>Technical Specifications:</b> Carburetor Version (C364M)[carb], CH version free speed[kit]

<b>Group</b>	ENGINE
<b>Code</b>	29.44
<b>Description</b>	Injection unit
<b>Service</b>	1



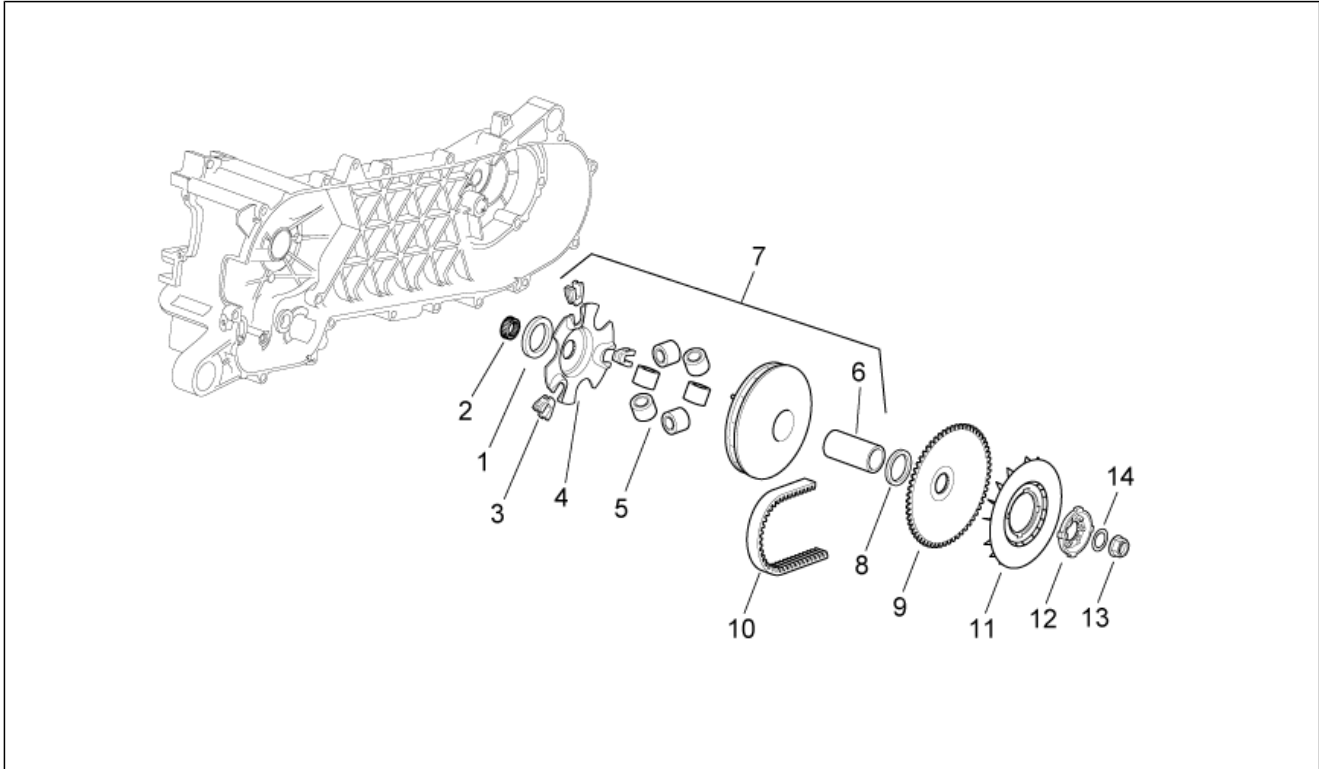
Pos.	Code	Description	Qty	Variants
1	483395	Thermostat	1	Technical Specifications:Injection Version (C361M)[ie]
2	832262	Water outlet union	1	Technical Specifications:Injection Version (C361M)[ie]
3	430045	Bleed screw	1	Technical Specifications:Injection Version (C361M)[ie]
4	063435	Bleed valve cap	1	Technical Specifications:Injection Version (C361M)[ie]
5	015597	TBIC screw	2	Technical Specifications:Injection Version (C361M)[ie]
6	834176	Gasket ring	1	Technical Specifications:Injection Version (C361M)[ie]
7	AP8276008	Air injector	1	Technical Specifications:Injection Version (C361M)[ie]
8	438074	Spark plug RG6YCA	1	Technical Specifications:Injection Version (C361M)[ie]
9	CM002901	Hose clamp	2	Technical Specifications:Injection Version (C361M)[ie]
10	829483	Seal injector	1	Technical Specifications:Injection Version (C361M)[ie]
11	256756	Self-tapping screw	2	Technical Specifications:Injection Version (C361M)[ie]
12	433880	High pressure pipe	1	Technical Specifications:Injection Version (C361M)[ie]
13	830672	High pressure pipe	1	Technical Specifications:Injection Version (C361M)[ie]
14	CM001913	Hose clamp	2	Technical Specifications:Injection Version (C361M)[ie]
15	AP8276010	Thermistor	1	Technical Specifications:Injection Version (C361M)[ie]
16	AP8276009	Inlet valve	1	Technical Specifications:Injection Version (C361M)[ie]
17	830433	O-ring	1	Technical Specifications:Injection Version (C361M)[ie]
18	830434	O-ring	1	Technical Specifications:Injection Version (C361M)[ie]
19	289514	O-ring	1	Technical Specifications:Injection Version (C361M)[ie]
20	AP8224654	Quick connector 90°	1	Technical Specifications:Injection Version (C361M)[ie]
21	AP8224550	Quick connector 45°	1	Technical Specifications:Injection Version (C361M)[ie]
22	AP8202367	Hose clip	3	Technical Specifications:Injection Version (C361M)[ie]
23	CM223702	High pressure pipe 7X13	2	Technical Specifications:Injection Version (C361M)[ie]

<b>Group</b>	ENGINE
<b>Code</b>	29.45
<b>Description</b>	Transmission cover
<b>Service</b>	1



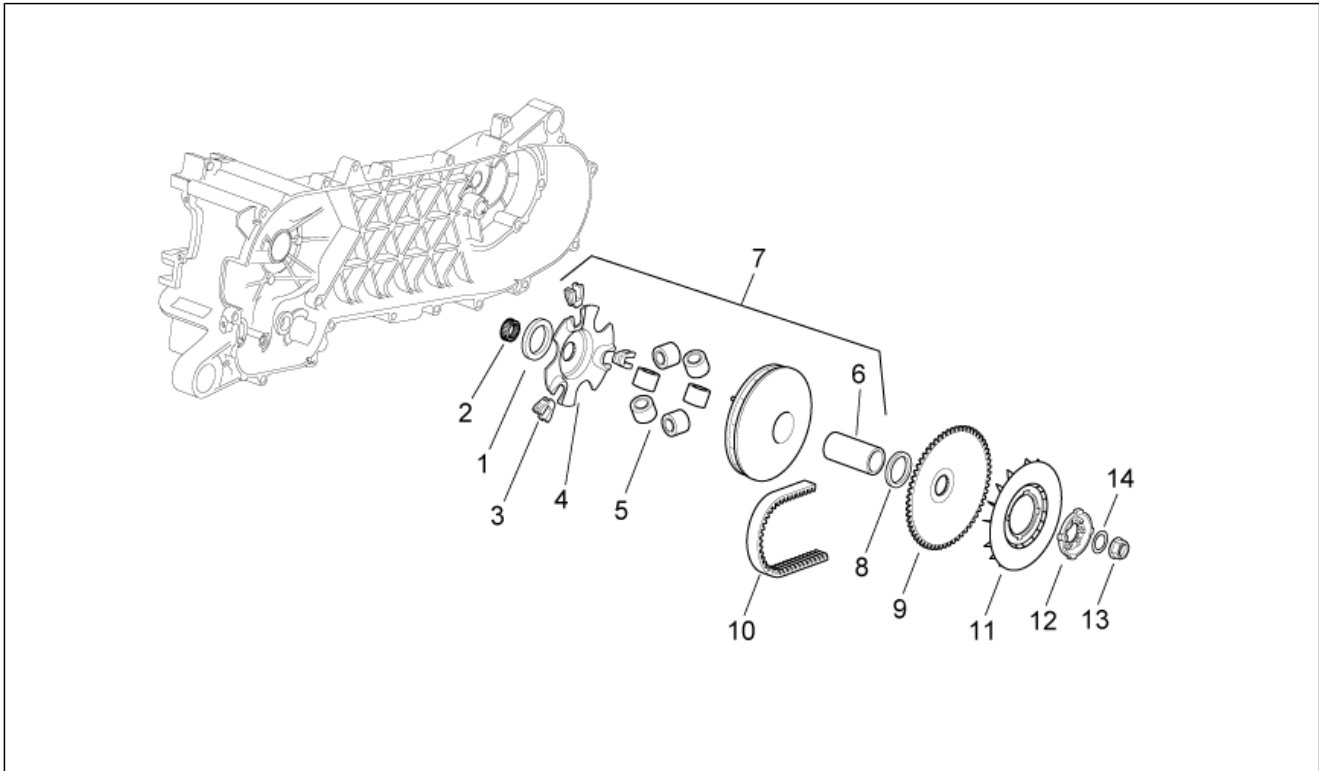
Pos.	Code	Description	Qty	Variants
1	8284535	Transmission cover	1	<b>Technical Specifications:</b> Carburetor Version (C364M)[carb]
1	8298225	Transmission cover	1	<b>Technical Specifications:</b> Injection Version (C361M)[ie]
2	286209	Bush	1	
3	431860	Bush Ø8xØ12x8	1	
4	463872	Stand end stop	1	
5	414838	screw M6x35	12	
6	82521R	Bearing	1	
7	239388	Pin 6,5x9,5x15	2	
8	483859	Cover	1	
9	829820	Cover	1	<b>Technical Specifications:</b> Injection Version (C361M)[ie]
10	831458	Starting shaft	1	<b>Technical Specifications:</b> Carburetor Version (C364M)[carb]
11	289495	Starter lever return spring	1	<b>Technical Specifications:</b> Carburetor Version (C364M)[carb]
12	483537	Pignone messa in moto	1	<b>Technical Specifications:</b> Carburetor Version (C364M)[carb]
13	830212	Elastic spring	1	<b>Technical Specifications:</b> Carburetor Version (C364M)[carb]
14	286214	Starter lever	1	<b>Technical Specifications:</b> Carburetor Version (C364M)[carb]
15	286217	Guard	1	<b>Technical Specifications:</b> Carburetor Version (C364M)[carb]
16	414837	Screw w/ flange M6x25	1	<b>Technical Specifications:</b> Carburetor Version (C364M)[carb]
17	433987	Washer 16,3x23,8	1	<b>Technical Specifications:</b> Carburetor Version (C364M)[carb]
18	006416	Circlip	1	<b>Technical Specifications:</b> Carburetor Version (C364M)[carb]

<b>Group</b>	ENGINE
<b>Code</b>	29.46
<b>Description</b>	Variator
<b>Service</b>	1



Pos.	Code	Description	Qty	Variants
1	479495	Spacer	1	
2	286158	Toothed pulley	1	
3	289931	Sliding block	3	
4	480227	Roller contrast	1	
5	CM1102025	Roller	1	<b>Technical Specifications:</b> Carburetor Version (C364M)[carb]
5	CM1102035	Rollers kit	1	<b>Technical Specifications:</b> Injection Version (C361M)[ie]
6	480230	Spacer	1	
7	CM110301	Half-pulley assy., driving 30 KM/H	1	<b>Technical Specifications:</b> Carburetor Version (C364M)[carb]
7	CM110304	Half-pulley assy., driving	1	<b>Technical Specifications:</b> Injection Version (C361M)[ie]
8	CM100601	Spacer	1	<b>Country:</b> United States of America[USA] <b>Technical Specifications:</b> Injection Version (C361M)[ie]
8	CM100601	Spacer	1	<b>Country:</b> Japan[JJ] <b>Technical Specifications:</b> Carburetor Version (C364M)[carb]
8	CM100607	Distanziale 30Km/h	1	<b>Country:</b> Japan[JJ] <b>Technical Specifications:</b> Injection Version (C361M)[ie]
8	CM100608	Spacer 25 KM/H	1	<b>Country:</b> I-B-GR-D[EU] <b>Technical Specifications:</b> Limited version 30 Km/h[30km], Injection Version (C361M)[ie]
8	CM100615	Spacer	1	<b>Country:</b> I-B-GR-D[EU] <b>Technical Specifications:</b> Carburetor Version (C364M)[carb]
8	CM100615	Spacer	1	<b>Country:</b> I-B-GR-D[EU] <b>Technical Specifications:</b> Limited version 25Km/h[25km], Injection Version (C361M)[ie]
8	CM100616	Spacer 30 KM/H	1	<b>Country:</b> I-B-GR-D[EU] <b>Technical Specifications:</b> Limited version 45 Km/h[45km], Injection Version (C361M)[ie]
9	479561	Fixed driving half pulley	1	
10	436864	V-belt	1	<b>Technical Specifications:</b> Carburetor Version (C364M)[carb]
10	833982	V-belt	1	<b>Technical Specifications:</b> Injection Version (C361M)[ie]
11	845611	Fan	1	
12	479866	Toothed bushing	1	

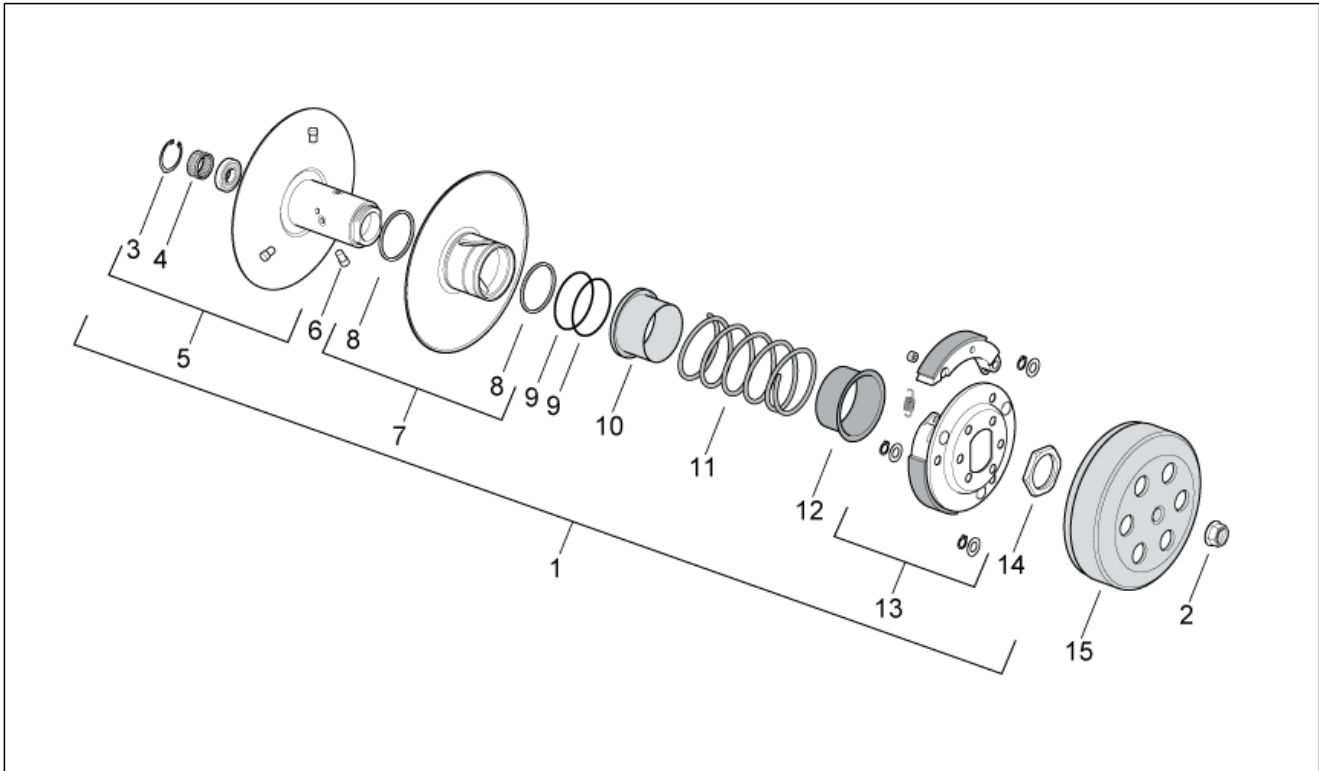
<b>Group</b>	ENGINE
<b>Code</b>	29.46
<b>Description</b>	Variator
<b>Service</b>	1



Pos.	Code	Description	Qty	Variants
13	289519	Flanged nut M10x1,25	2	
14	265300	Washer	1	

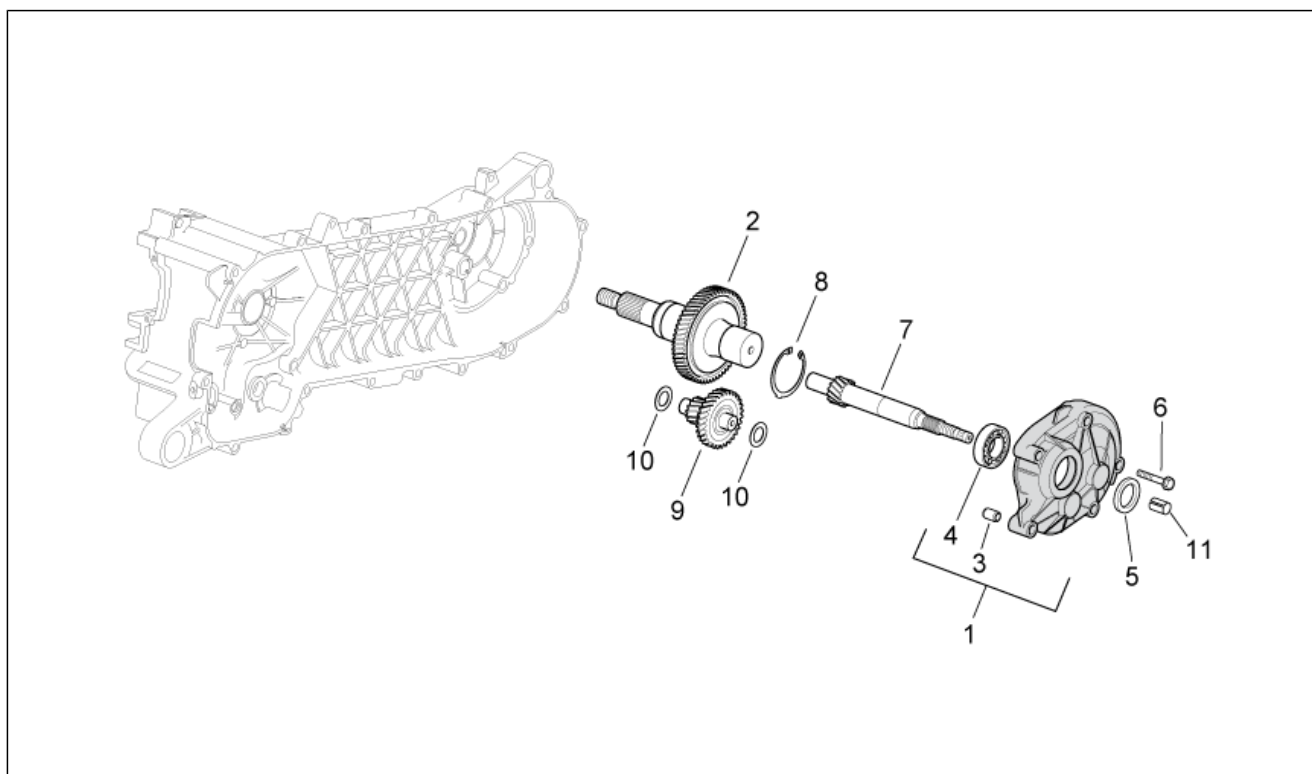


<b>Group</b>	ENGINE
<b>Code</b>	29.47
<b>Description</b>	Clutch
<b>Service</b>	1



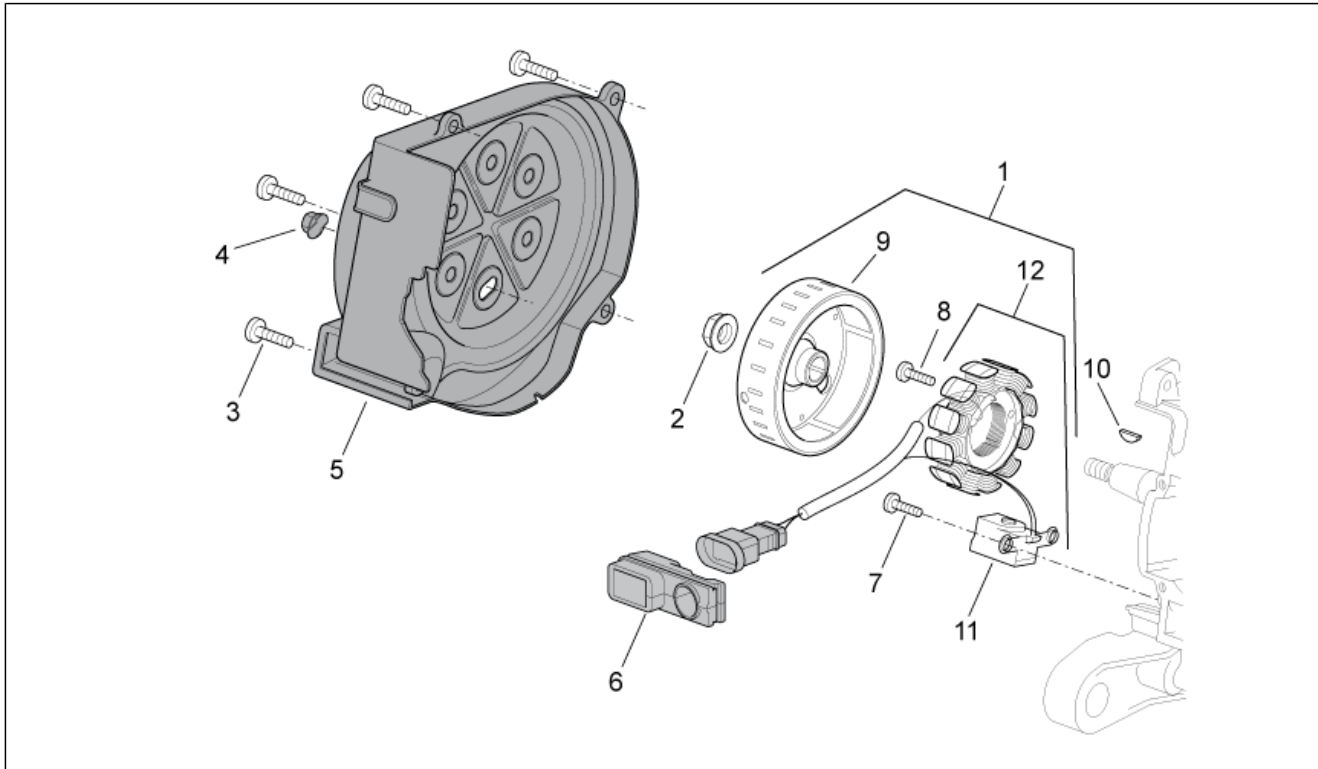
Pos.	Code	Description	Qty	Variants
1	CM100109	Secondary pulley	1	
2	289519	Flanged nut M10x1,25	2	
3	006624	Ring	1	
4	289952	Roller cage	1	
5	4795526	Complete fixed secondary pulley	1	
6	482766	Pin	3	
7	827893	Complete movable secondary pulley	1	
8	289950	Gasket ring	2	
9	289840	Gasket	2	
10	483443	Pulley side cap	1	
11	478028	Variator spring	1	
12	487935	Clutch side cap	1	
13	CM1002045	Centrifugal clutch assy	1	
14	289955	Ring nut	1	
15	289933	Clutch drum	1	

<b>Group</b>	ENGINE
<b>Code</b>	29.48
<b>Description</b>	Transmission final drive
<b>Service</b>	1



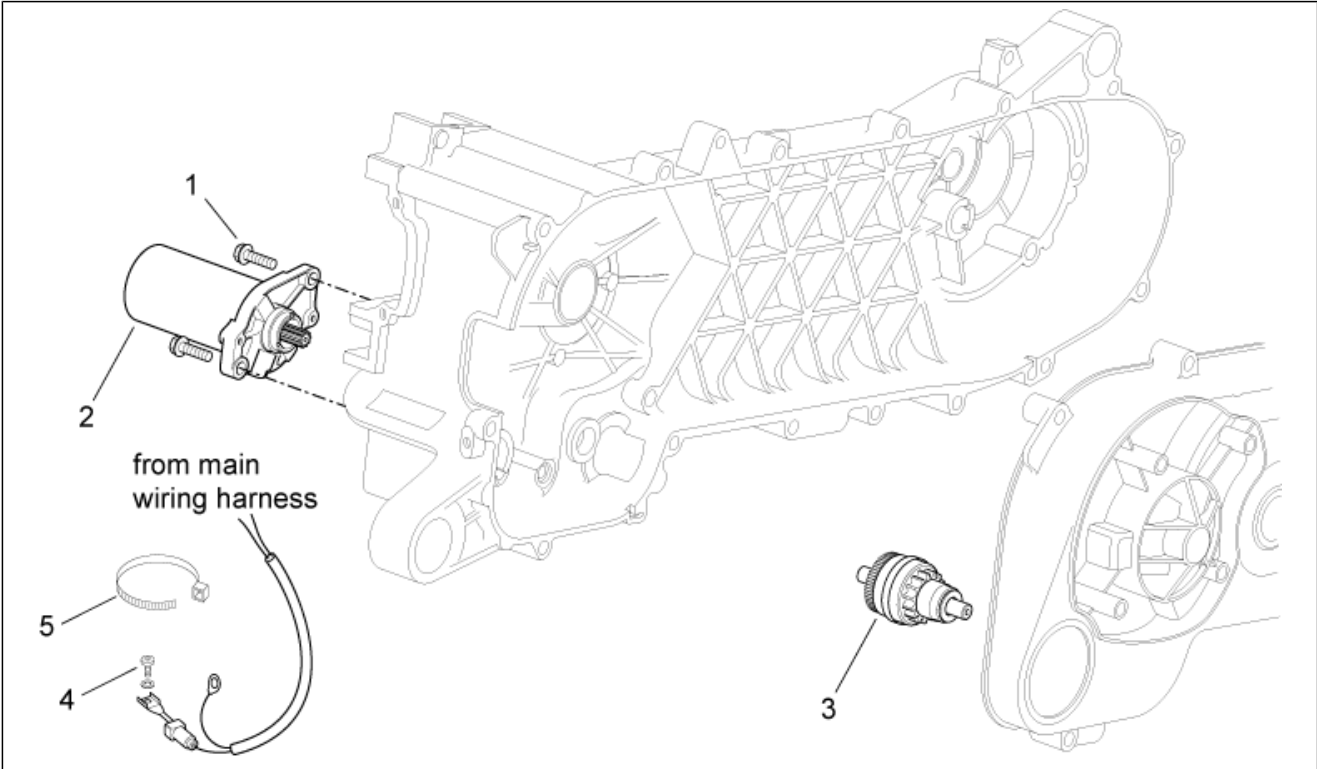
Pos.	Code	Description	Qty	Variants
1	4874805	Wheel hub cover with U.P.	1	
2	4874845	Drive shaft assy	1	<b>Technical Specifications:</b> Injection Version (C361M)[ie]
2	4874845	Drive shaft assy	1	<b>Technical Specifications:</b> Carburetor Version (C364M)[carb]
3	239388	Pin 6,5x9,5x15	2	
4	435363	Bearing	1	
5	480066	Gasket ring	1	
6	414834	Screw w/ flange M6x40	5	
7	4795935	Driven pulley shaft	1	
8	480953	Snap ring	1	
9	4802185	Idle gear assy	1	<b>Technical Specifications:</b> Carburetor Version (C364M)[carb]
9	4802185	Idle gear assy	1	<b>Technical Specifications:</b> Injection Version (C361M)[ie]
10	288639	Shim washer	2	
11	478197	Compensator ring	1	

<b>Group</b>	ENGINE
<b>Code</b>	29.49
<b>Description</b>	Flywheel
<b>Service</b>	1



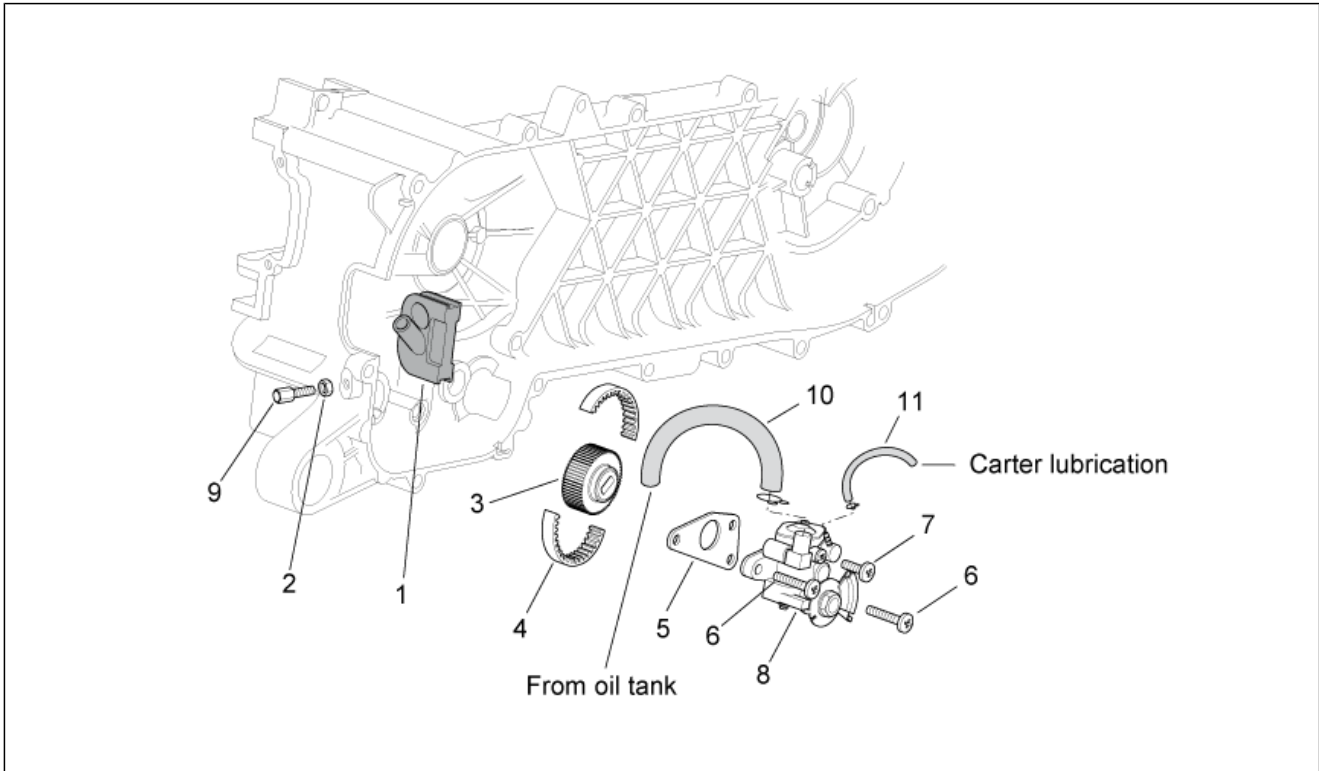
Pos.	Code	Description	Qty	Variants
1	58062R	Flywheel cpl.	1	<b>Technical Specifications:</b> Injection Version (C361M)[ie]
1	58136R	Complete magneto flywheel	1	<b>Technical Specifications:</b> Carburetor Version (C364M)[carb]
2	289005	Flanged nut	1	
3	015856	screw M5x21	4	
4	827712	Cover	1	
5	826972	Flywheel cover	1	<b>Technical Specifications:</b> Injection Version (C361M)[ie]
5	827517	Flywheel cover	1	<b>Technical Specifications:</b> Carburetor Version (C364M)[carb]
6	827685	Fairlead	1	
7	015585	Self-tapping screw M5x12	2	<b>Technical Specifications:</b> Carburetor Version (C364M)[carb]
7	015715	Screw M5x16	2	<b>Technical Specifications:</b> Injection Version (C361M)[ie]
8	015597	TBIC screw	2	
9	584526	Complete rotor (Kokusan)	1	<b>Technical Specifications:</b> Carburetor Version (C364M)[carb]
9	638611	Rotor cpl.	1	<b>Technical Specifications:</b> Injection Version (C361M)[ie]
10	000267	Transmission key	1	
11	831443	Ext. pick-up	1	<b>Technical Specifications:</b> Injection Version (C361M)[ie]
12	584525	Stator cpl.	1	<b>Technical Specifications:</b> Carburetor Version (C364M)[carb]
12	638610	Stator cpl.	1	<b>Technical Specifications:</b> Injection Version (C361M)[ie]

<b>Group</b>	ENGINE
<b>Code</b>	29.50
<b>Description</b>	Starter motor
<b>Service</b>	1



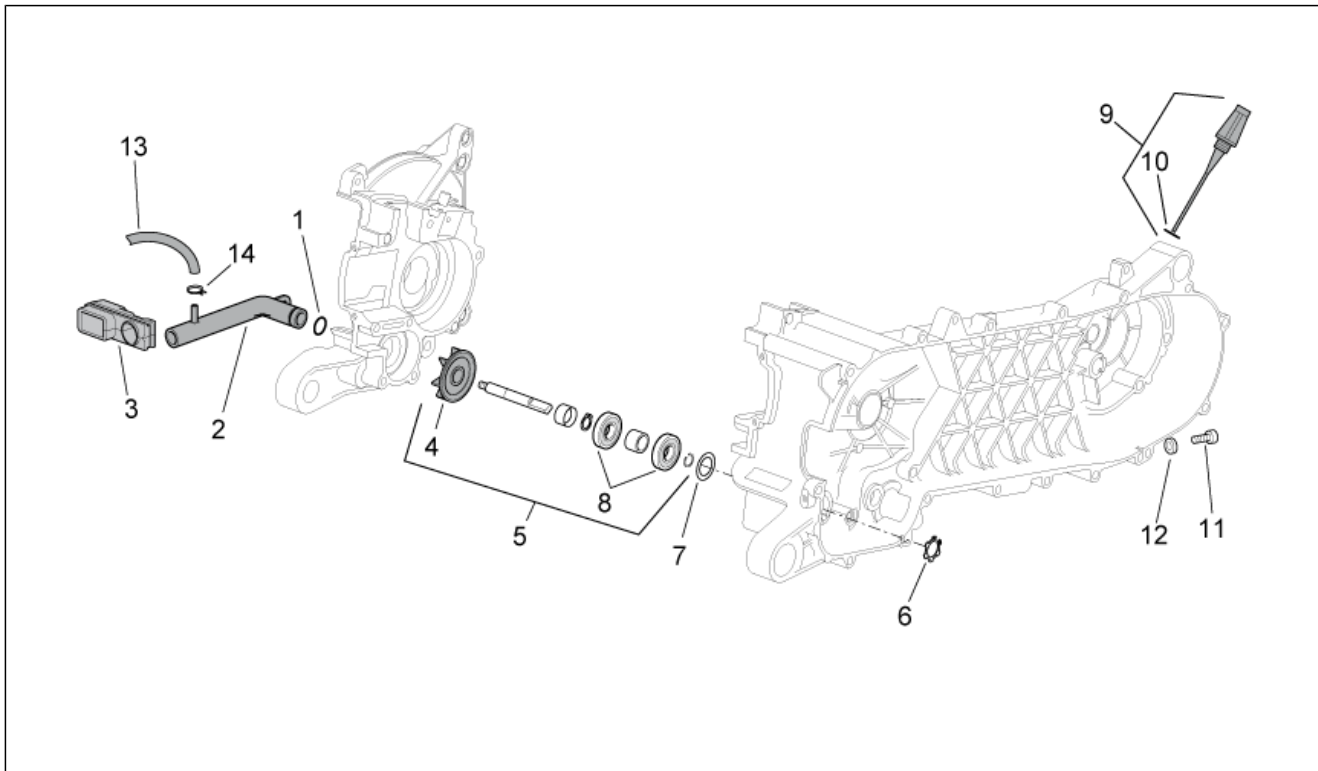
Pos.	Code	Description	Qty	Variants
1	414837	Screw w/ flange M6x25	2	
2	82530R	Starter motor	1	<b>Technical Specifications:</b> Carburetor Version (C364M)[carb]
2	96921R	Starter motor	1	<b>Technical Specifications:</b> Injection Version (C361M)[ie]
3	82531R	Starter motor gear	1	<b>Technical Specifications:</b> Carburetor Version (C364M)[carb]
3	96922R	Complete gear unit	1	<b>Technical Specifications:</b> Injection Version (C361M)[ie]
4	018644	screw	1	
5	AP8120416	Black hose 178x4	1	

<b>Group</b>	ENGINE
<b>Code</b>	29.51
<b>Description</b>	Oil pump
<b>Service</b>	1



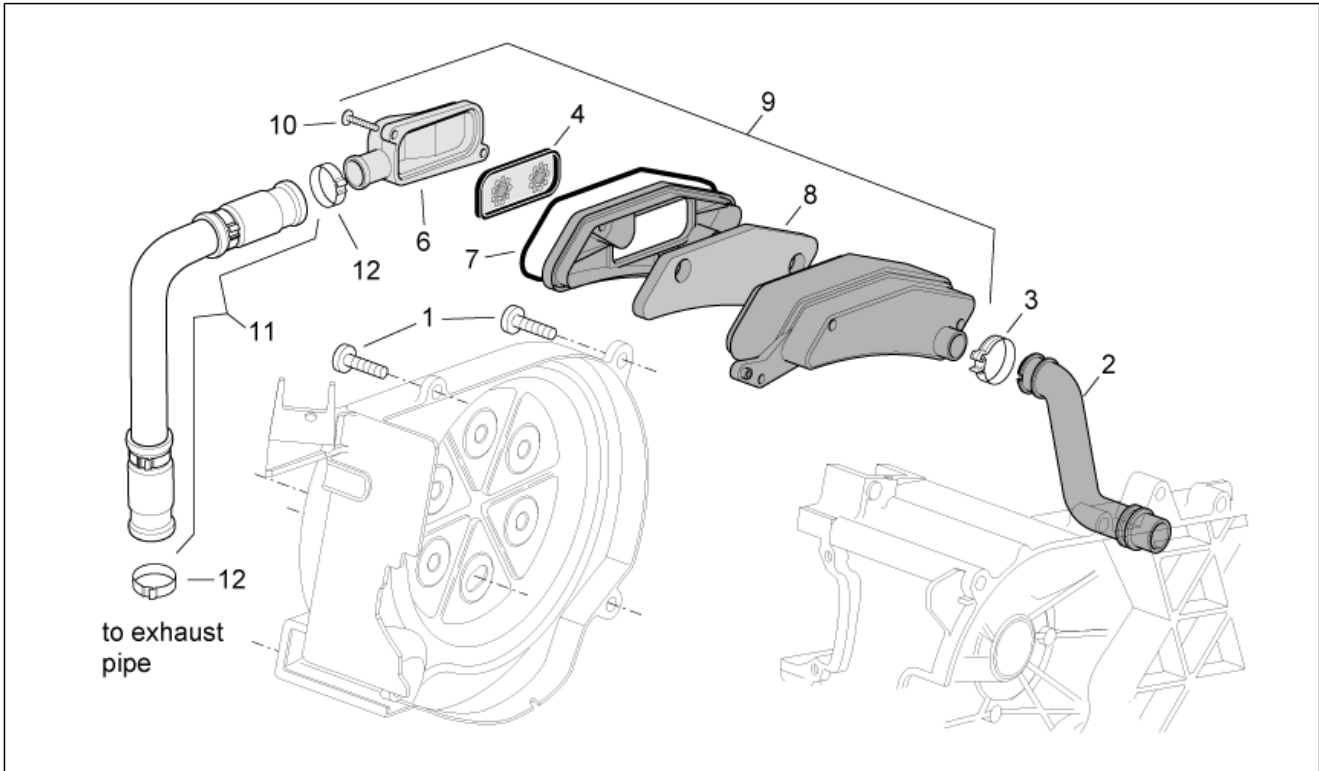
Pos.	Code	Description	Qty	Variants
1	287021	Fairlead	1	
2	020106	Nut M6	1	
3	289262	Oil pump gear, cpl.	1	
4	286162	Toothed belt	1	
5	286163	plate	1	
6	015856	screw M5x21	2	
7	015585	Self-tapping screw M5x12	1	
8	82605R	Oil pump	1	<b>Technical Specifications:</b> Carburetor Version (C364M)[carb]
8	82632R	Oil pump assy.	1	<b>Technical Specifications:</b> Injection Version (C361M)[ie]
9	146197	Adjuster screw	1	
10	CM101509	Oil inlet pipe	1	
11	CM101605	Oil outlet pipe	1	

<b>Group</b>	ENGINE
<b>Code</b>	29.52
<b>Description</b>	Water pump
<b>Service</b>	1



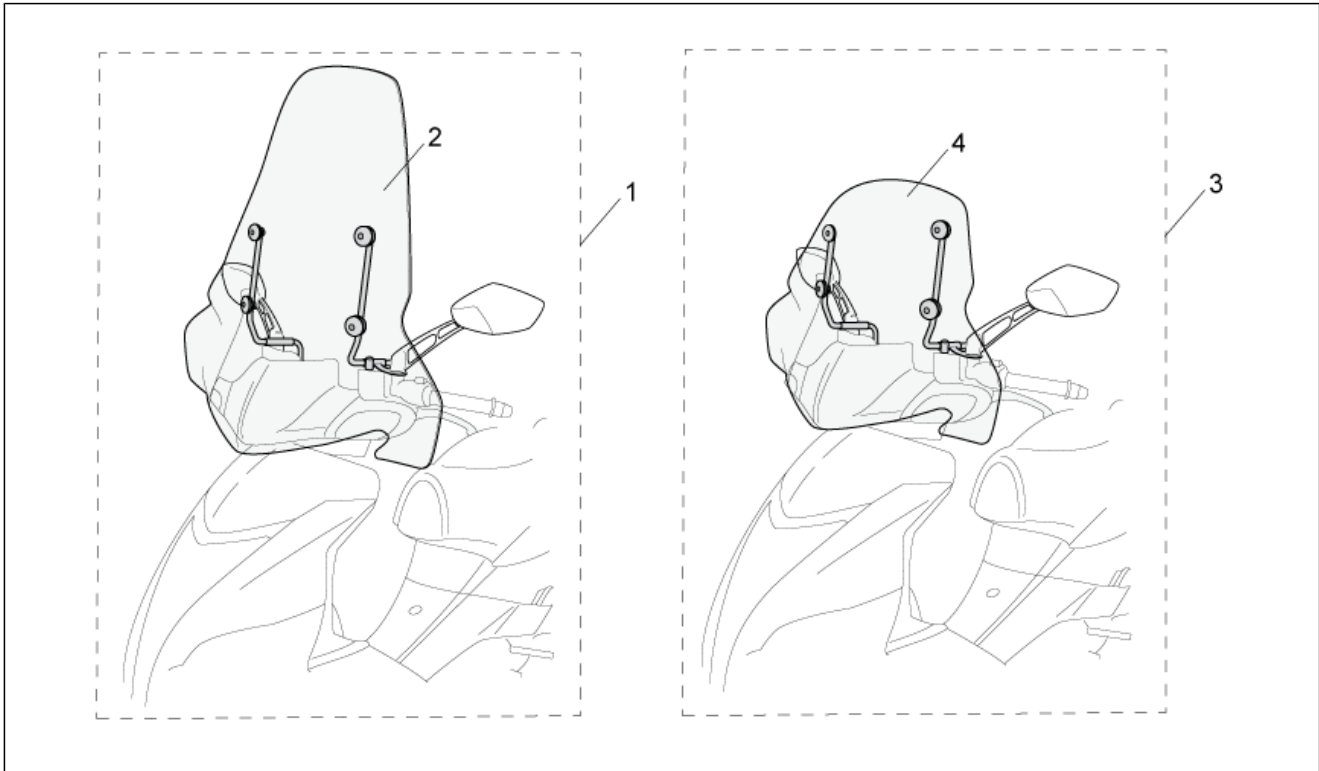
Pos.	Code	Description	Qty	Variants
1	289254	O-ring	1	
2	830004	Water outlet union	1	<b>Technical Specifications:</b> Injection Version (C361M)[ie]
2	832925	Water outlet union	1	<b>Technical Specifications:</b> Carburetor Version (C364M)[carb]
3	827685	Fairlead	1	
4	487730	Impeller	1	
5	497406	Water pump shaft assy.cpl.	1	
6	289553	Stop ring	1	
7	289554	Thrust washer	1	
8	487392	Bearing	2	
9	832130	Complete oil level dipstick	1	
10	827085	Gasket ring 14,43x9,19x2,62	1	
11	269755	Hex socket screw M8x12	1	
12	000397	Gasket	1	
13	488139	Carb-pump by-pass pipe	1	<b>Technical Specifications:</b> Carburetor Version (C364M)[carb]
14	CM002901	Hose clamp	1	

<b>Group</b>	ENGINE
<b>Code</b>	29.53
<b>Description</b>	Secondary air
<b>Service</b>	1



Pos.	Code	Description	Qty	Variants
1	015597	TBIC screw	2	<b>Technical Specifications:</b> Carburetor Version (C364M)[carb]
2	827208	Intake pipe sas	1	<b>Technical Specifications:</b> Carburetor Version (C364M)[carb]
3	CM001905	Hose clamp	1	<b>Technical Specifications:</b> Carburetor Version (C364M)[carb]
4	82758R	Diaphragm	1	<b>Technical Specifications:</b> Carburetor Version (C364M)[carb]
6	827209	Cover sas	1	<b>Technical Specifications:</b> Carburetor Version (C364M)[carb]
7	486943	Gasket	1	<b>Technical Specifications:</b> Carburetor Version (C364M)[carb]
8	486942	Filter sas	1	<b>Technical Specifications:</b> Carburetor Version (C364M)[carb]
9	8318594	Scatola s.a.s. completa kt	1	<b>Technical Specifications:</b> Carburetor Version (C364M)[carb]
10	478533	Self-tap screw	2	<b>Technical Specifications:</b> Carburetor Version (C364M)[carb]
11	833740	Air pipe sas	1	<b>Technical Specifications:</b> Carburetor Version (C364M)[carb]
12	AP8102273	Hose clip	2	<b>Technical Specifications:</b> Carburetor Version (C364M)[carb]

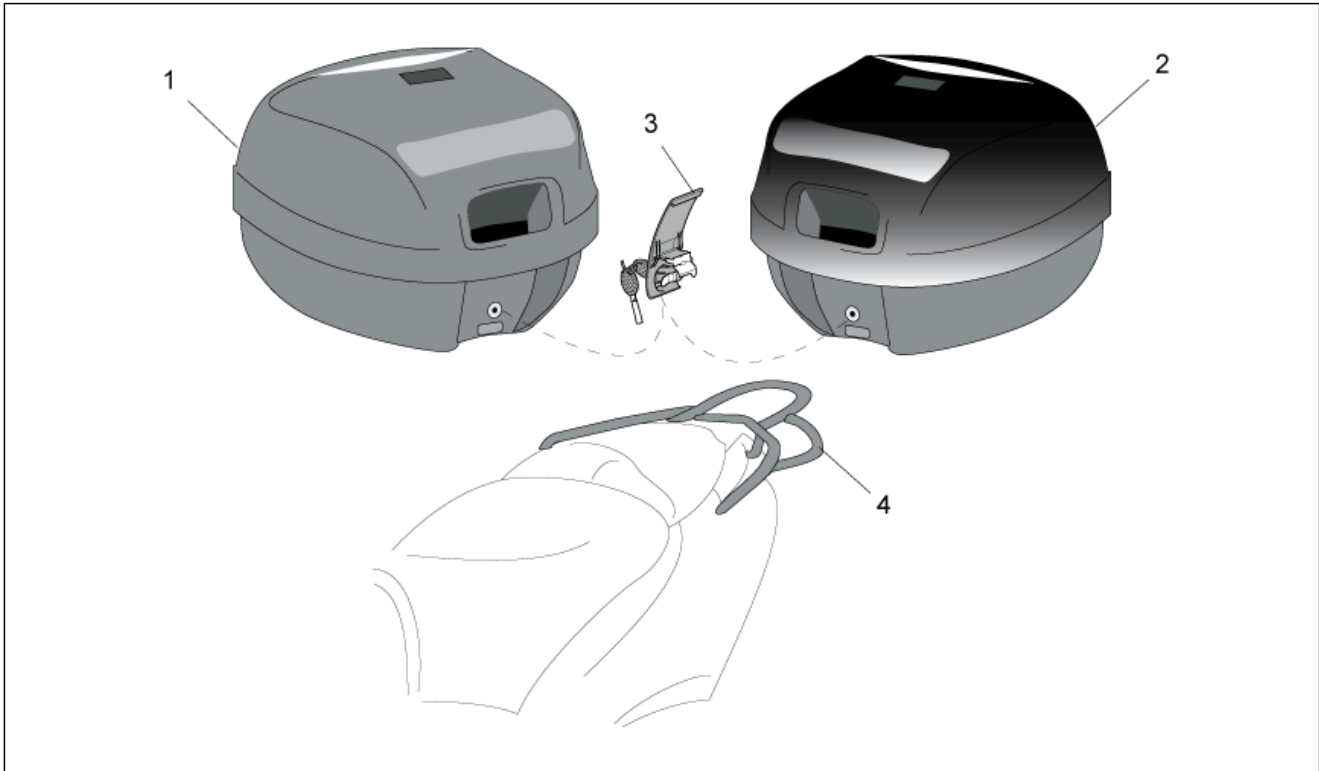
<b>Group</b>	ACCESSORIES
<b>Code</b>	30.54
<b>Description</b>	Acc. - Windshields
<b>Service</b>	1



Pos.	Code	Description	Qty	Variants
1	AP8791256	Windscreen cpl. Big	1	<b>Technical Specifications:</b> Accessories[A]
2	AP8791255	Windscreen w/out support Big	1	<b>Technical Specifications:</b> Accessories[A]
3	AP8791258	Windscreen cpl. Sport	1	<b>Technical Specifications:</b> Accessories[A]
4	AP8791257	Windscreen w/out support Sport	1	<b>Technical Specifications:</b> Accessories[A]

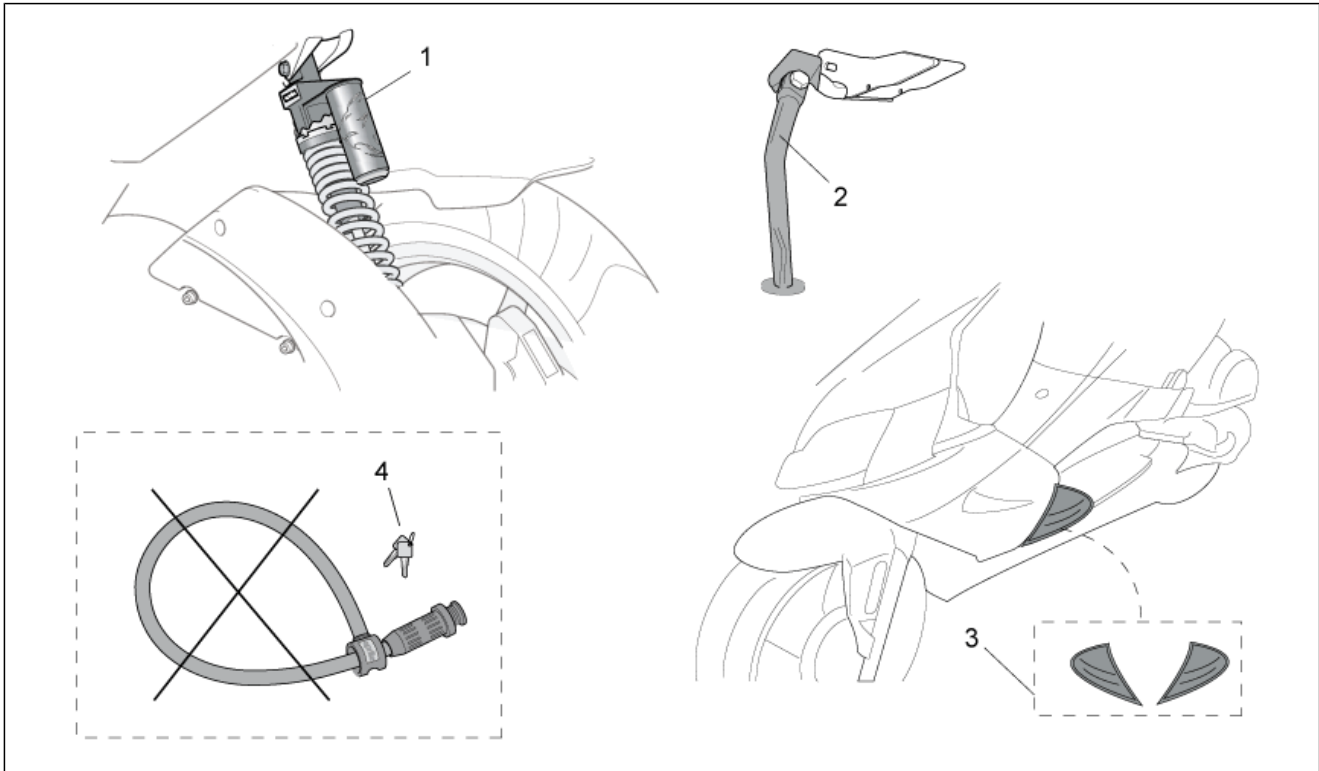


<b>Group</b>	ACCESSORIES
<b>Code</b>	30.55
<b>Description</b>	Acc. - Top/cases, side cases
<b>Service</b>	1



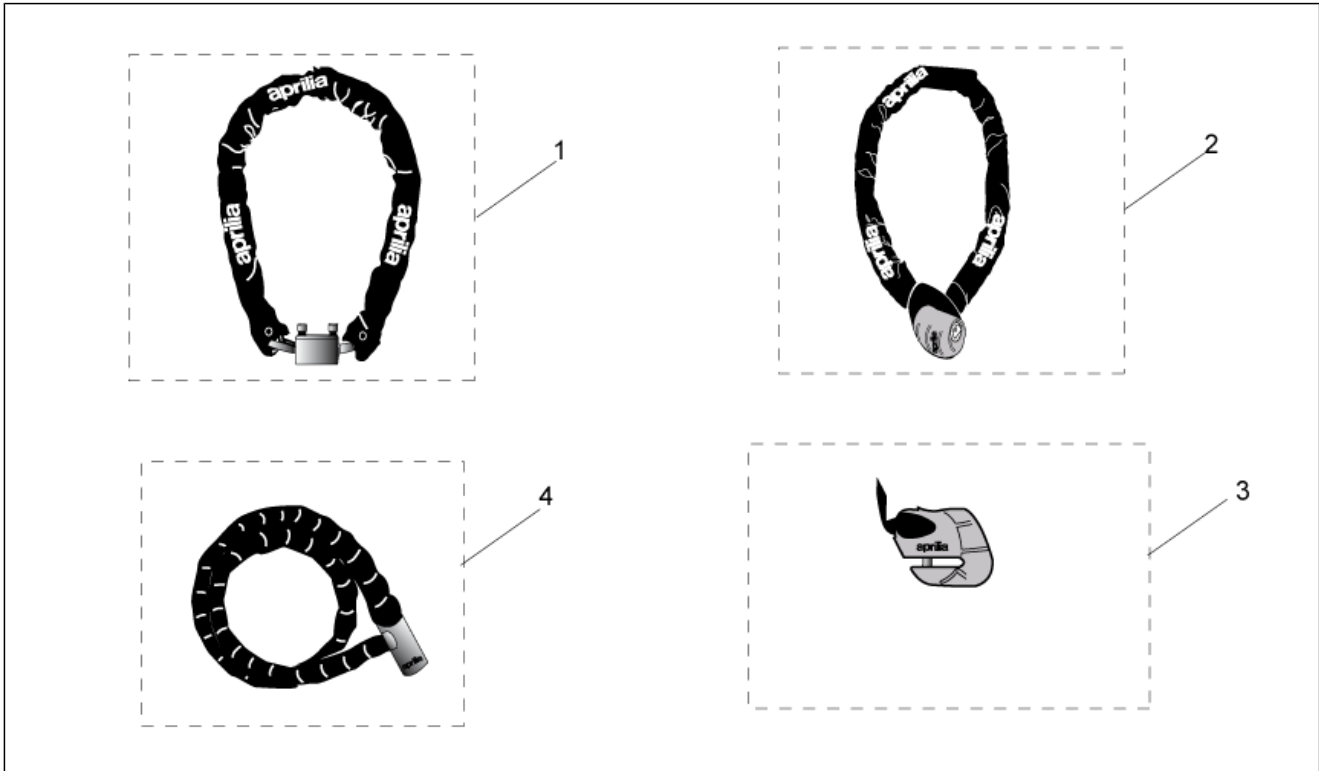
Pos.	Code	Description	Qty	Variants
1	AP8792066	Top box, embossed New-C 32L	1	Technical Specifications:Accessories[A]
2	AP8792066	Top box, embossed New-C 32L	1	Technical Specifications:Accessories[A]
3	AP8104197	Top box lock cpl.	1	Technical Specifications:Accessories[A]
4	AP8792368	Top box support Conc/New-C	1	Technical Specifications:Accessories[A]

<b>Group</b>	ACCESSORIES
<b>Code</b>	30.56
<b>Description</b>	Acc. - Various
<b>Service</b>	1



Pos.	Code	Description	Qty	Variants
1	AP8795050	Rear shock absorber	1	<b>Technical Specifications:</b> Accessories[A]
2	AP8791240	Lateral stand	1	<b>Technical Specifications:</b> Accessories[A]
3	AP8797216	Baffle Kit	1	<b>Technical Specifications:</b> Accessories[A]
4	AP8700792	Key support B.Guard UK-D	1	<b>Technical Specifications:</b> Accessories[A]
4	AP8700793	Key support B.Guard F-NL	1	<b>Technical Specifications:</b> Accessories[A]
4	AP8700794	Key support B.Guard I-E	1	<b>Technical Specifications:</b> Accessories[A]

<b>Group</b>	ACCESSORIES
<b>Code</b>	30.57
<b>Description</b>	Acc. - Mechanics anti-theft
<b>Service</b>	1



Pos.	Code	Description	Qty	Variants
1	AP8720115	Iron Guard 10x150 mm	1	Technical Specifications:Accessories[A]
2	AP8720116	Iron Guard 8x120 mm	1	Technical Specifications:Accessories[A]
3	AP8720117	Iron Guard Disk 5 mm	1	Technical Specifications:Accessories[A]
4	AP8720118	Easy Guard 150 mm	1	Technical Specifications:Accessories[A]