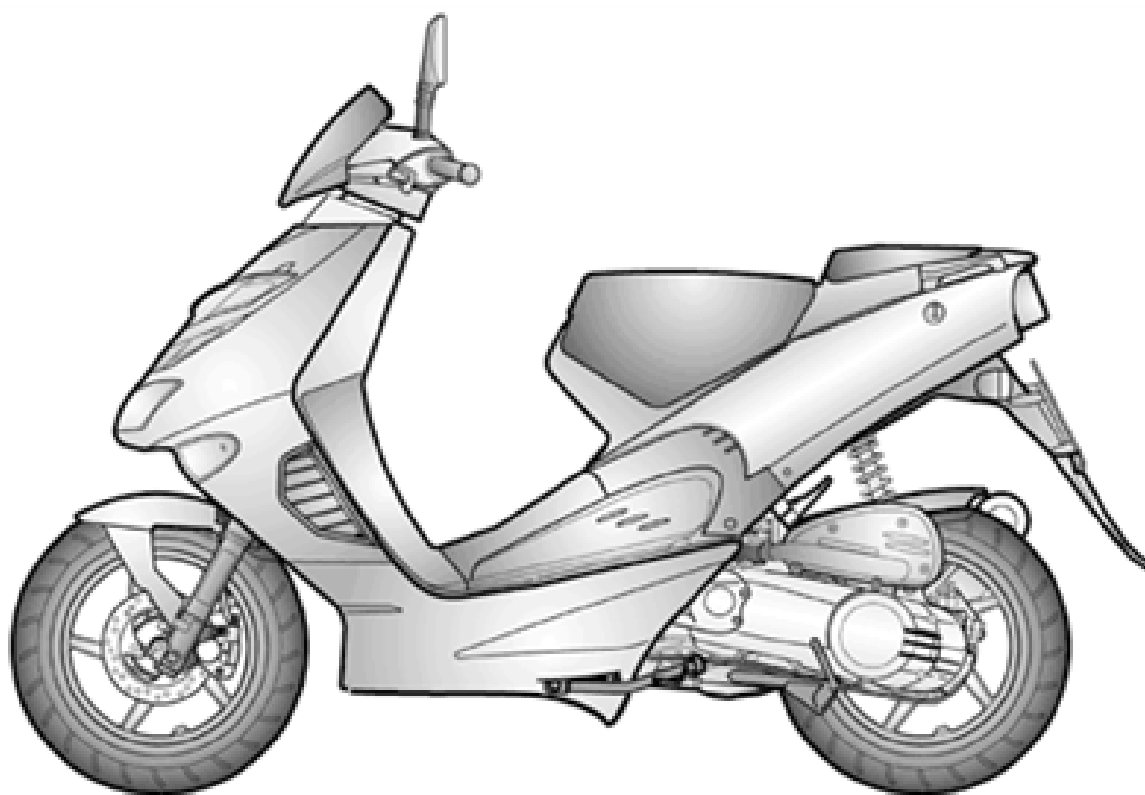




PIAGGIO & C.s.p.a.

**aprilia**

## SPARE PARTS CATALOGUE



### **SR 50 H2O (Ditech+Carb.) 00-04**

Chassis prefix: ZD4RL0, ZD4RLA, ZD4RLB, ZD4RLC, ZD4RLE, ZD4TP

Engine prefix:

## Index

Finished products.....	4
Alphanumeric index.....	6
FRAME.....	14
Table 28.01 - Frame.....	14
Table 28.02 - Central stand - Connecting rod.....	16
Table 28.03 - Front fork I.....	17
Table 28.04 - Fork II.....	19
Table 28.05 - Front body I.....	21
Table 28.06 - Front body II.....	25
Table 28.07 - Front body III.....	30
Table 28.08 - Front body IV.....	33
Table 28.09 - Central body I.....	38
Table 28.10 - Central body II.....	39
Table 28.11 - Saddle - Handle.....	42
Table 28.12 - Rear body I.....	46
Table 28.13 - Rear body II.....	48
Table 28.14 - Rear body III.....	51
Table 28.15 - Handlebar - Dashboard.....	53
Table 28.16 - Handlebar - Buttons.....	55
Table 28.17 - LH Controls.....	56
Table 28.18 - RH controls.....	57
Table 28.19 - Oil tank.....	58
Table 28.20 - Fuel tank.....	59
Table 28.21 - Cooling system.....	61
Table 28.22 - Air box.....	62
Table 28.25 - Exhaust pipe.....	64
Table 28.26 - Front wheel.....	66
Table 28.27 - Front brake caliper.....	70
Table 28.28 - Rear wheel - disc brake.....	72
Table 28.29 - Rear wheel - drum brake.....	79
Table 28.30 - Front lights.....	80
Table 28.31 - Front lights USA.....	82
Table 28.32 - Rear lights.....	83
Table 28.33 - Electrical system.....	85
Table 28.34 - Lock hardware kit.....	88
Table 28.35 - Plate set and handbook.....	89
Table 28.36 - Front body and technical decal.....	91
Table 28.37 - Central and rear body decal.....	93
ENGINE.....	97
Table 29.23 - Engine (Carburettor).....	97
Table 29.24 - Engine (Ditech).....	99
Table 29.38 - Crank-case (Carburettor).....	105
Table 29.39 - Crank-case (Ditech).....	106

Table 29.40 - Water pump.....	111
Table 29.41 - Cylinder with piston.....	113
Table 29.42 - Cylinder head.....	114
Table 29.43 - Drive shaft.....	117
Table 29.44 - Transmission cover (Carburettor).....	120
Table 29.45 - Transmission cover (Ditech).....	121
Table 29.46 - Variator.....	122
Table 29.47 - Reduction.....	124
Table 29.48 - Adler clutch.....	125
Table 29.49 - Hong Zengr clutch.....	126
Table 29.50 - Oil pump (Carurettor).....	128
Table 29.51 - Supply (Carburettor).....	129
Table 29.52 - Carburettor I.....	130
Table 29.53 - Carburettor II.....	131
Table 29.54 - Air compressor (Ditech).....	132
Table 29.55 - Throttle body (Ditech).....	133
Table 29.56 - Injection unit (Ditech).....	134
Table 29.57 - Flywheel.....	144
Table 29.58 - Starter motor.....	149
Table 29.59 - Ignition unit.....	150
ACCESSORIES.....	153
Table 30.60 - Acc. - Windshields.....	153
Table 30.61 - Acc. - Top/cases, side cases.....	154
Table 30.62 - Acc. - Cyclistic components.....	155
Table 30.63 - Acc. - Various.....	156
Table 30.64 - Acc. - Mechanics anti-theft.....	157

## Finished products

Code	Validity
AP67714AT01	
AP67714AT02	
AP67714AT05	
AP67714AT07	
AP67714AT08	
AP67714AU04	
AP67714AU06	
AP67714AU07	
AP67714BE01	
AP67714BE03	
AP67714BE05	
AP67714BE06	
AP67714BE07	
AP67714BE08	
AP67714CH01	
AP67714CH02	
AP67714CH04	
AP67714CH05	
AP67714CH06	
AP67714CH07	
AP67714CH08	
AP67714DE01	
AP67714DE02	
AP67714DE03	
AP67714DE04	
AP67714DE05	
AP67714DE06	
AP67714DE07	
AP67714DE08	
AP67714DK01	
AP67714DK02	
AP67714DK05	
AP67714DK06	
AP67714DK07	
AP67714DK08	
AP67714EL07	
AP67714EL08	
AP67714ES01	
AP67714ES04	
AP67714ES05	
AP67714ES06	
AP67714ES07	

Code	Validity
AP67714ES08	
AP67714FR01	
AP67714FR02	
AP67714FR05	
AP67714FR07	
AP67714FR08	
AP67714GB01	
AP67714GB02	
AP67714GB03	
AP67714GB04	
AP67714GB05	
AP67714GB07	
AP67714GB08	
AP67714IT01	
AP67714IT02	
AP67714IT03	
AP67714IT04	
AP67714IT05	
AP67714IT06	
AP67714IT07	
AP67714IT08	
AP67714NL01	
AP67714NL02	
AP67714NL03	
AP67714NL04	
AP67714NL05	
AP67714NL06	
AP67714NL07	
AP67714NL08	
AP67714PT05	
AP7999001	

Code	No. table	Pos.	Code	No. table	Pos.	Code	No. table	Pos.
0000000	28.26	1	AP2EAN000258	29.56	3	AP3AEA000547	29.56	1
0000000	28.28	1	AP2EAN000258	29.56	3	AP3AEA000631	29.56	1
0000000	28.29	5	AP2EAN000258	29.56	3	AP3AEA000631	29.56	1
854933	28.20	17	AP2EAN000258	29.56	3	AP3AEA000631	29.56	1
860594	28.30	14	AP2EAN000312	29.42	14	AP3AEA000631	29.56	1
860595	28.30	15	AP2FBN000021	29.50	4	AP3AEA000631	29.56	1
AP1BFA000147	29.43	6	AP2FBN000034	29.50	8	AP3AFA000162	29.54	1
AP1BFA000699	29.43	6	AP2FBN000034	29.55	11	AP3AGA000137	29.56	14
AP1BHA000151	29.38	2	AP2FDN000175	29.23	16	AP3AGA000137	29.56	14
AP1BHA000159	29.39	2	AP2FDN000175	29.24	11	AP3AGA000137	29.56	14
AP1BHA000159	29.39	2	AP2FDN000176	29.23	18	AP3AGA000137	29.56	14
AP1BHA000159	29.39	2	AP2FDN000176	29.24	12	AP3AGA000614	29.56	14
AP1BHA000159	29.39	2	AP2FDN000200	29.56	12	AP3AGA000614	29.56	14
AP1BHA000624	29.39	2	AP2FDN000201	29.55	5	AP3AGA000614	29.56	14
AP1BHA000624	29.39	2	AP2GAN000113	29.47	10	AP3AGA000614	29.56	14
AP1BHA000624	29.39	2	AP2GAN000219	29.43	3	AP3AGA000614	29.56	14
AP1BHA000624	29.39	2	AP2GLN000192	29.43	7	AP3AGA000614	29.56	14
AP1BHA000624	29.39	2	AP2HAA000051	29.50	11	AP3AGA000614	29.56	14
AP1BHA000624	29.39	2	AP2HAA000487	29.50	11	AP3ATN000193	29.44	8
AP1BHA000624	29.39	2	AP2HAN000022	29.50	10	AP3AUN000062	29.38	19
AP1BHA000624	29.39	2	AP2HAN000035	29.50	9	AP3AUN000062	29.39	20
AP1BHA000706	29.39	2	AP2HAN000224	29.55	10	AP3AUN000124	29.40	4
AP1BHA000706	29.39	2	AP2IBA000161	29.50	2	AP3AUN000124	29.42	8
AP1BHA000706	29.39	2	AP2MCA000014	29.46	12	AP3AVA000063	29.51	5
AP1BHA000706	29.39	2	AP2MDA000425	29.48	1	AP3AVA000063	29.55	2
AP1BHA000706	29.39	2	AP2MDA000426	29.48	9	AP3AVA000438	29.56	13
AP1BHA000706	29.39	2	AP2MDA000428	29.48	1	AP3AVN000086	29.51	2
AP1BHA000706	29.39	2	AP2MEA000419	29.46	8	AP3AVN000086	29.55	7
AP1BHA000706	29.39	2	AP2MEA000420	29.46	9	AP3AVN000199	29.56	7
AP1BHA000706	29.39	2	AP2MEA000423	29.46	11	AP3AVN000199	29.56	7
AP1BOA000028	29.47	1	AP2MEA000424	29.46	6	AP3AVN000199	29.56	7
AP1BOA000029	29.47	3	AP2MEA000530	29.46	7	AP3AVN000199	29.56	7
AP1BTA000071	29.44	14	AP2MEA000557	29.46	9	AP3AVN000245	29.56	7
AP2AAN000212	29.56	11	AP2MEA000661	29.46	9	AP3AVN000245	29.56	7
AP2ADA000080	29.51	8	AP2MEA000805	29.46	9	AP3AVN000245	29.56	7
AP2ADA000441	29.51	8	AP2MEN000187	29.46	10	AP3AVN000245	29.56	7
AP2APN000213	29.45	2	AP2MEN000188	29.46	13	AP3AVN000245	29.56	7
AP2AVN000256	29.56	4	AP2QBA000058	29.58	10	AP3AVN000245	29.56	7
AP2BAA000060	29.42	6	AP2QBA000456	29.58	10	AP3AVN000245	29.56	7
AP2BAA000067	29.42	11	AP2QCA000041	29.58	1	AP3BBA000171	29.42	2
AP2BAA000164	29.42	12	AP2QCA000455	29.58	1	AP3BBA000171	29.42	2
AP2BAA000643	29.42	6	AP2RBA000075	29.57	2	AP3BBA000171	29.42	2
AP2BEN000088	29.42	3	AP2RBA000075	29.57	2	AP3BBA000171	29.42	2
AP2BEN000276	29.42	4	AP2RBA000075	29.57	2	AP3BBA000174	29.42	1
AP2BVA000040	29.41	1	AP2RBA000075	29.57	2	AP3BBA000606	29.42	2
AP2DHN000202	29.40	8	AP2RBA000075	29.57	2	AP3BBA000606	29.42	2
AP2EAN000081	29.42	14	AP2RBA000075	29.57	2	AP3BBA000606	29.42	2
AP2EAN000081	29.42	14	AP2RBA000075	29.57	2	AP3BBA000606	29.42	2
AP2EAN000185	29.54	5	AP2RBA000075	29.57	2	AP3BBA000606	29.42	2
AP2EAN000186	29.56	3	AP2RCA000033	29.59	1	AP3BBA000606	29.42	2
AP2EAN000186	29.56	3	AP2RDA000034	29.59	3	AP3BBA000606	29.42	2
AP2EAN000186	29.56	3	AP2REA000111	29.59	4	AP3BDN000005	29.42	5
AP2EAN000186	29.56	3	AP3AAN000054	29.40	13	AP3EAN000048	29.38	10
AP2EAN000186	29.56	6	AP3AAN000054	29.51	4	AP3EAN000048	29.39	11
AP2EAN000186	29.56	6	AP3AAN000054	29.55	6	AP3EAN000082	29.40	3
AP2EAN000186	29.56	6	AP3ABA000062	29.51	6	AP3EAN000096	29.41	5
AP2EAN000186	29.56	6	AP3ABN000092	29.40	7	AP3EAN000097	29.44	6
AP2EAN000257	29.56	6	AP3ACA000132	29.55	1	AP3EBN000042	29.43	1
AP2EAN000257	29.56	6	AP3AEA000002	29.51	9	AP3EBN000043	29.43	2
AP2EAN000257	29.56	6	AP3AEA000002	29.55	3	AP3EBN000044	29.43	5
AP2EAN000257	29.56	6	AP3AEA000133	29.56	1	AP3EBN000046	29.47	9
AP2EAN000257	29.56	6	AP3AEA000547	29.56	1	AP3EBN000047	29.38	8
AP2EAN000257	29.56	6	AP3AEA000547	29.56	1	AP3EBN000047	29.39	9
AP2EAN000257	29.56	6	AP3AEA000547	29.56	1	AP3EBN000180	29.43	5
AP2EAN000258	29.56	3	AP3AEA000547	29.56	1	AP3EBN000183	29.43	1
AP2EAN000258	29.56	3	AP3AEA000547	29.56	1	AP3ECN000080	29.40	9
AP2EAN000258	29.56	3	AP3AEA000547	29.56	1	AP3EDA000143	29.41	6

Code	No. table	Pos.	Code	No. table	Pos.	Code	No. table	Pos.
AP3EDN000281	29.40	25	AP3MEN000302	29.46	10	AP4DFN000032	29.54	3
AP3EDN000281	29.42	16	AP3NAN000058	29.47	5	AP4DFN000032	29.56	9
AP3EVA000433	29.41	4	AP3NAN000059	29.47	4	AP4DFN000033	29.40	20
AP3FBN000049	29.47	6	AP3NBA000027	29.47	2	AP4DFN000033	29.51	1
AP3FCN000268	29.39	3	AP3NFVA000627	29.38	24	AP4DFN000033	29.55	9
AP3FCN000269	29.38	1	AP3NVA000627	29.39	24	AP4DGN000066	29.57	3
AP3FCN000269	29.39	1	AP3QAA000038	29.58	9	AP4DGN000077	29.57	7
AP3FCN000270	29.44	13	AP3QAA000039	29.38	22	AP4DHN000020	29.46	4
AP3FCN000271	29.58	11	AP3QAA000039	29.39	23	AP4EEN000037	29.38	21
AP3GAN000040	29.43	3	AP3QAA000039	29.58	4	AP4EEN000037	29.39	22
AP3GAN000051	29.47	8	AP3QEA000031	29.46	1	AP4EEN000063	29.38	20
AP3GAN000214	29.43	4	AP3RAA000730	29.57	9	AP4EEN000063	29.39	21
AP3GAN000214	29.43	4	AP3RCA000447	29.59	1	AP4EEN000063	29.40	5
AP3GAN000214	29.43	4	AP3RDA000448	29.59	3	AP4EEN000063	29.42	9
AP3GAN000214	29.43	4	AP3TAA000042	29.44	16	AP4FAN000030	29.43	9
AP3GAN000214	29.43	4	AP3TAA000055	29.44	17	AP4FCN000095	29.40	15
AP3GAN000214	29.43	4	AP3TAA000073	29.44	1	AP4GAN000003	29.43	4
AP3GAN000214	29.43	4	AP3TAN000060	29.46	3	AP4GAN000003	29.43	4
AP3HAA000044	29.38	3	AP3TAN000172	29.46	5	AP4GAN000003	29.43	4
AP3HAA000044	29.39	4	AP3TCA000072	29.44	15	AP4GAN000003	29.43	4
AP3HAA000045	29.44	11	AP3TDA000074	29.46	2	AP4GAN000003	29.43	4
AP3HAA000068	29.38	11	AP3UAN000061	29.42	18	AP4GAN000025	29.47	7
AP3HAA000068	29.39	12	AP3UAN000300	29.40	28	AP4GAN000026	29.38	9
AP3HAA000083	29.44	4	AP4ADN000006	29.38	23	AP4GAN000026	29.39	10
AP3HAA000158	29.44	5	AP4ADN000007	29.38	17	AP4GAN000083	29.39	5
AP3HAA000632	29.40	22	AP4ADN000007	29.39	16	AP4GAN000103	29.40	21
AP3HAN000056	29.38	5	AP4ADN000008	29.38	15	AP5RAR000030	29.53	1
AP3HAN000056	29.39	6	AP4ADN000009	29.38	16	AP5RAR000031	29.53	2
AP3HAN000171	29.38	4	AP4ADN000012	29.58	5	AP5RAR000032	29.53	3
AP3HAN000173	29.44	7	AP4ADN000013	29.38	7	AP5RAR000033	29.53	4
AP3HVA000021	29.38	14	AP4ADN000013	29.39	8	AP5RAR000034	29.53	5
AP3HVA000160	29.39	15	AP4ADN000014	29.40	27	AP5RAR000035	29.53	6
AP3HVA000468	29.45	6	AP4ADN000014	29.42	7	AP5RAR000036	29.53	7
AP3HZA000152	29.38	13	AP4ADN000014	29.51	10	AP5RAR000038	29.53	9
AP3HZA000152	29.39	14	AP4ADN000014	29.55	8	AP5RAR000039	29.53	10
AP3HZA000154	29.44	2	AP4ADN000015	29.51	3	AP5RAR000040	29.53	11
AP3HZA000157	29.44	3	AP4ADN000016	29.38	12	AP5RAR000041	29.52	17
AP3IAA000052	29.50	7	AP4ADN000016	29.39	13	AP5RAR000042	29.52	18
AP3ICA000054	29.50	3	AP4ADN000016	29.40	12	AP5RAR000043	29.52	14
AP3IVA000022	29.50	1	AP4ADN000016	29.40	6	AP5RAR000044	29.52	15
AP3LAA000010	29.23	15	AP4ADN000016	29.44	12	AP5RAR000045	29.52	16
AP3LAA000010	29.24	10	AP4ADN000016	29.45	4	AP5RAR000046	29.53	17
AP3LAA000100	29.40	18	AP4ADN000016	29.58	8	AP5RAR000047	29.52	1
AP3LAA000102	29.40	19	AP4ADN000017	29.40	12	AP5RAR000048	29.52	2
AP3LAA000110	29.42	10	AP4ADN000023	29.57	8	AP5RAR000049	29.52	3
AP3LAA000173	29.40	11	AP4ADN000027	29.54	2	AP5RAR000050	29.52	4
AP3LAA000586	29.42	15	AP4ADN000027	29.57	5	AP5RAR000051	29.52	5
AP3LAA000625	29.40	19	AP4ADN000028	29.50	5	AP5RAR000052	29.52	6
AP3LBA000130	29.40	2	AP4ADN000101	29.57	6	AP5RAR000053	29.52	7
AP3LBA000587	29.40	24	AP4ADN000178	29.39	17	AP5RAR000054	29.52	8
AP3LCA000101	29.40	14	AP4ADN000179	29.39	18	AP5RAR000056	29.52	10
AP3LCA000166	29.40	16	AP4AHN000067	29.38	18	AP5RAR000057	29.52	11
AP3LDA000109	29.40	10	AP4AHN000067	29.39	19	AP5RAR000058	29.52	12
AP3LZA000023	29.40	1	AP4APN000267	29.40	26	AP5RAR000059	29.52	13
AP3LZA000108	29.40	1	AP4APN000267	29.42	17	AP5RAR000060	29.53	18
AP3MAA000450	29.45	3	AP4ATN000177	29.44	10	AP5RAR000061	29.53	16
AP3MAN000087	29.46	14	AP4AUN000011	29.38	6	AP5RAR000062	29.53	15
AP3MAN000190	29.46	14	AP4AUN000011	29.39	7	AP5RAR000063	29.53	14
AP3MAN000264	29.45	5	AP4BAN000002	29.41	2	AP5RAR000064	29.53	13
AP3MAN000272	29.46	14	AP4BAN000076	29.41	3	AP5RAR000065	29.51	7
AP3MDA000619	29.49	9	AP4BAN000222	29.56	8	AP5RAR000065	29.53	12
AP3MDA000621	29.49	1	AP4BDN000039	29.48	8	AP5RAR000066	29.53	8
AP3MDA000759	29.49	1	AP4BEN000010	29.57	4	AP5RAR000098	29.52	19
AP3MEA000620	29.46	6	AP4BEN000223	29.56	5	AP5RAR000099	29.52	9
AP3MEA000715	29.46	11	AP4DAN000125	29.40	17	AP5RAR000102	29.56	10
AP3MEA000840	29.46	11	AP4DFN000032	29.44	9	AP5RAR000104	29.54	6
AP3MEN000255	29.46	13	AP4DFN000032	29.50	6	AP5RAR000108	29.56	16

Code	No. table	Pos.	Code	No. table	Pos.	Code	No. table	Pos.
AP5RAR000109	29.56	15	AP5RSR000228	29.57	2	AP8113637	28.17	9
AP5RAR000110	29.56	17	AP5RZR000096	29.41	10	AP8113637	28.18	7
AP5RAR000112	29.54	4	AP5RZR000097	29.43	8	AP8113638	28.27	3
AP5RAR000175	29.55	4	AP5RZR000098	29.41	10	AP8113640	28.27	5
AP5RER000072	29.41	9	AP5RZR000099	29.43	8	AP8113861	28.17	11
AP5RER000073	29.41	8	AP5RZR000232	29.56	2	AP8113861	28.18	14
AP5RER000074	29.41	7	AP8101573	28.20	8	AP8113869	28.28	6
AP5RER000075	29.41	8	AP8101573	28.21	14	AP8113871	28.28	17
AP5RER000077	29.41	7	AP8101595	28.20	11	AP8117041	28.09	7
AP5RER000079	29.41	8	AP8101606	28.02	3	AP8118472	28.17	16
AP5RER000081	29.41	7	AP8101743	28.19	11	AP8120179	28.20	24
AP5RER000084	29.41	8	AP8101770	28.19	12	AP8120405	29.59	8
AP5RER000085	29.41	8	AP8101770	28.19	16	AP8120416	28.22	24
AP5RER000087	29.41	8	AP8101912	28.21	3	AP8120531	28.05	10
AP5RER000089	29.41	9	AP8101944	28.19	6	AP8120531	28.07	8
AP5RHR000002	29.45	1	AP8102223	28.19	5	AP8120531	28.08	2
AP5RHR000229	29.38	13	AP8102224	28.19	4	AP8120531	28.13	25
AP5RLR000114	29.42	13	AP8102273	28.20	20	AP8120593	28.22	4
AP5RMR000085	29.48	10	AP8102349	28.20	27	AP8120754	28.33	16
AP5RMR000086	29.48	7	AP8102375	28.01	13	AP8120864	28.26	8
AP5RMR000087	29.48	6	AP8102375	28.07	9	AP8120865	28.26	9
AP5RMR000088	29.48	4	AP8102375	28.14	10	AP8120952	28.20	9
AP5RMR000089	29.48	13	AP8102375	28.19	15	AP8121020	29.23	11
AP5RMR000090	29.48	11	AP8102375	28.22	6	AP8121075	28.14	21
AP5RMR000092	29.48	2	AP8102376	28.01	12	AP8121075	28.14	27
AP5RMR000096	29.48	12	AP8102376	28.07	10	AP8121075	28.25	11
AP5RMR000097	29.48	5	AP8102376	28.09	1	AP8121697	28.02	16
AP5RMR000098	29.48	3	AP8102376	28.10	5	AP8121728	29.23	14
AP5RMR000099	29.48	7	AP8102376	28.13	18	AP8121795	28.31	11
AP5RMR000100	29.48	3	AP8102376	28.14	3	AP8121811	28.14	24
AP5RMR000234	29.46	8	AP8102376	28.19	10	AP8121811	28.33	22
AP5RMR000235	29.46	7	AP8102376	28.20	14	AP8121856	28.29	20
AP5RMR000237	29.46	9	AP8102376	28.21	11	AP8121984	28.22	10
AP5RMR000239	29.49	8	AP8102377	28.20	13	AP8123701	28.04	1
AP5RMR000240	29.49	7	AP8102671	28.16	2	AP8123708	28.03	13
AP5RMR000241	29.49	6	AP8102732	28.21	15	AP8124081	28.16	11
AP5RMR000242	29.49	4	AP8102764	28.20	25	AP8124208	28.16	9
AP5RMR000243	29.49	5	AP8102765	28.21	9	AP8124209	28.16	1
AP5RMR000245	29.49	2	AP8102782	28.07	4	AP8124235	28.33	2
AP5RMR000246	29.49	3	AP8102811	28.20	12	AP8124517	28.30	15
AP5RMR000248	29.49	3	AP8102880	28.01	7	AP8124612	28.32	21
AP5RQR000023	29.58	3	AP8102880	28.34	12	AP8124637	28.33	6
AP5RQR000026	29.58	6	AP8104197	30.61	3	AP8124754	28.33	3
AP5RQR000027	29.58	7	AP8104546	28.16	13	AP8124762	28.15	9
AP5RQR000069	29.58	2	AP8112176	28.33	17	AP8124811	28.19	3
AP5RQR000181	29.58	3	AP8112244	28.33	18	AP8124814	28.20	2
AP5RQR000182	29.58	7	AP8112811	28.33	15	AP8124818	28.33	1
AP5RQR000183	29.58	2	AP8112916	28.14	13	AP8124857	28.33	18
AP5RSR000123	29.57	1	AP8113003	28.27	6	AP8125757	28.17	5
AP5RSR000124	29.57	1	AP8113003	28.28	14	AP8125757	28.18	3
AP5RSR000227	29.57	2	AP8113004	28.27	7	AP8125782	28.26	6
AP5RSR000227	29.57	2	AP8113004	28.28	10	AP8127477	28.33	27
AP5RSR000227	29.57	2	AP8113005	28.28	8	AP8127487	28.16	14
AP5RSR000227	29.57	2	AP8113006	28.27	9	AP8134167	28.28	15
AP5RSR000227	29.57	2	AP8113006	28.28	9	AP8134167	28.29	18
AP5RSR000227	29.57	2	AP8113122	28.27	10	AP8134639	28.01	22
AP5RSR000227	29.57	2	AP8113414	28.17	8	AP8140651	30.62	2
AP5RSR000227	29.57	2	AP8113414	28.18	6	AP8140652	30.62	2
AP5RSR000227	29.57	2	AP8113549	28.27	9	AP8140653	30.62	2
AP5RSR000228	29.57	2	AP8113577	28.27	2	AP8144081	28.11	5
AP5RSR000228	29.57	2	AP8113577	28.27	2	AP8148454	28.17	13
AP5RSR000228	29.57	2	AP8113577	28.27	2	AP8149034	28.14	30
AP5RSR000228	29.57	2	AP8113577	28.27	2	AP8149300	28.05	4
AP5RSR000228	29.57	2	AP8113577	28.27	2	AP8149301	28.05	4
AP5RSR000228	29.57	2	AP8113577	28.27	2	AP8149303	28.14	31
AP5RSR000228	29.57	2	AP8113577	28.27	2	AP8150011	28.08	10
AP5RSR000228	29.57	2	AP8113577	28.27	2	AP8150014	29.23	17



Code	No. table	Pos.	Code	No. table	Pos.	Code	No. table	Pos.
AP8150015	28.19	2	AP8152246	28.25	5	AP8201695	28.21	1
AP8150015	28.20	4	AP8152260	28.25	6	AP8201748	28.13	20
AP8150015	28.25	2	AP8152272	28.19	14	AP8201748	28.34	11
AP8150017	28.02	8	AP8152273	29.59	10	AP8201749	28.13	16
AP8150020	28.02	13	AP8152274	28.22	18	AP8201749	28.34	10
AP8150020	28.16	6	AP8152277	28.01	21	AP8201757	28.20	3
AP8150026	29.23	3	AP8152277	28.12	5	AP8201763	28.01	14
AP8150052	28.31	12	AP8152277	28.28	19	AP8201763	28.07	3
AP8150086	28.02	14	AP8152278	28.01	19	AP8201763	28.09	6
AP8150086	28.16	7	AP8152278	28.11	8	AP8201763	28.10	6
AP8150137	28.01	23	AP8152278	28.14	8	AP8201763	28.12	3
AP8150137	28.29	19	AP8152278	28.21	8	AP8201763	28.14	9
AP8150137	28.34	14	AP8152278	28.29	21	AP8201799	28.22	13
AP8150157	28.22	9	AP8152278	28.33	12	AP8201807	28.21	13
AP8150158	28.14	11	AP8152279	28.13	10	AP8201824	28.20	6
AP8150158	28.14	19	AP8152279	28.19	1	AP8201925	28.26	15
AP8150165	29.23	8	AP8152279	28.20	5	AP8201975	28.15	3
AP8150179	28.07	18	AP8152279	28.31	10	AP8201976	28.15	2
AP8150179	29.23	10	AP8152280	28.10	9	AP8202071	28.15	7
AP8150204	28.14	12	AP8152282	28.13	21	AP8202204	28.22	3
AP8150204	28.14	18	AP8152282	28.14	26	AP8202204	28.22	3
AP8150220	28.11	4	AP8152282	28.29	12	AP8202204	28.22	3
AP8150220	28.14	7	AP8152282	29.23	4	AP8202212	28.21	1
AP8150270	28.30	6	AP8152283	28.13	3	AP8202216	28.01	16
AP8150280	28.32	11	AP8152283	28.34	5	AP8202218	28.34	1
AP8150333	28.25	10	AP8152288	28.28	20	AP8202223	28.35	2
AP8150373	28.26	14	AP8152289	28.25	8	AP8202224	28.35	2
AP8150376	28.02	9	AP8152289	28.27	8	AP8202225	28.35	2
AP8150376	28.25	21	AP8152290	28.16	4	AP8202226	28.35	2
AP8150382	28.10	8	AP8152290	28.25	20	AP8202238	28.01	9
AP8150403	29.23	9	AP8152291	28.25	19	AP8202246	28.13	4
AP8150413	28.05	6	AP8152298	28.07	13	AP8202246	28.34	4
AP8150413	28.06	5	AP8152298	28.14	1	AP8202247	28.13	12
AP8150413	28.07	7	AP8152298	28.14	15	AP8202247	28.34	3
AP8150413	28.10	11	AP8152299	28.13	22	AP8202268	30.62	1
AP8150413	28.12	2	AP8152299	28.29	13	AP8202269	30.62	1
AP8150413	28.13	2	AP8152299	28.33	11	AP8202270	30.62	1
AP8150413	28.22	20	AP8152299	29.23	12	AP8202280	28.22	11
AP8150413	28.32	13	AP8152300	28.16	5	AP8202281	28.22	3
AP8150420	28.05	9	AP8152301	28.02	15	AP8202281	28.22	3
AP8150421	28.15	10	AP8152301	28.16	3	AP8202281	28.22	3
AP8150425	28.09	2	AP8152302	28.05	3	AP8202281	28.22	3
AP8150425	28.10	7	AP8152302	28.07	14	AP8202281	28.22	3
AP8150426	28.06	4	AP8152302	28.14	22	AP8202281	28.22	3
AP8150430	28.13	5	AP8152306	28.08	9	AP8202281	28.22	3
AP8150430	28.14	23	AP8152306	28.14	20	AP8202282	28.35	2
AP8150430	28.31	13	AP8152306	28.22	19	AP8202436	28.20	18
AP8150430	28.34	6	AP8152306	28.32	12	AP8203561	28.03	2
AP8150432	29.23	23	AP8152318	29.23	5	AP8203564	28.04	4
AP8150432	29.24	6	AP8152318	29.24	3	AP8203565	28.04	6
AP8150444	28.08	11	AP8152329	28.22	5	AP8203566	28.04	5
AP8150471	28.28	16	AP8152339	28.08	3	AP8203570	28.04	11
AP8150471	28.29	3	AP8158085	28.05	4	AP8203571	28.04	9
AP8152003	29.40	23	AP8158085	28.05	4	AP8203572	28.04	10
AP8152018	28.26	11	AP8158085	28.05	4	AP8203652	28.03	3
AP8152018	29.23	22	AP8158085	28.05	4	AP8203666	28.01	2
AP8152018	29.24	7	AP8167659	28.35	5	AP8203702	28.03	4
AP8152043	28.14	17	AP8176137	28.20	17	AP8203752	28.03	4
AP8152140	28.01	8	AP8201225	28.20	21	AP8203753	28.03	5
AP8152140	28.34	13	AP8201534	28.07	5	AP8203754	28.03	6
AP8152181	28.22	15	AP8201546	28.26	7	AP8203755	28.03	7
AP8152194	28.13	14	AP8201546	28.28	5	AP8203756	28.03	8
AP8152194	28.34	8	AP8201546	28.29	4	AP8203757	28.03	9
AP8152244	28.28	12	AP8201620	28.13	15	AP8203758	28.03	10
AP8152244	28.29	2	AP8201620	28.34	9	AP8203759	28.03	11
AP8152246	28.08	5	AP8201643	28.13	8	AP8203760	28.04	2
AP8152246	28.21	12	AP8201685	28.01	16	AP8203761	28.04	3

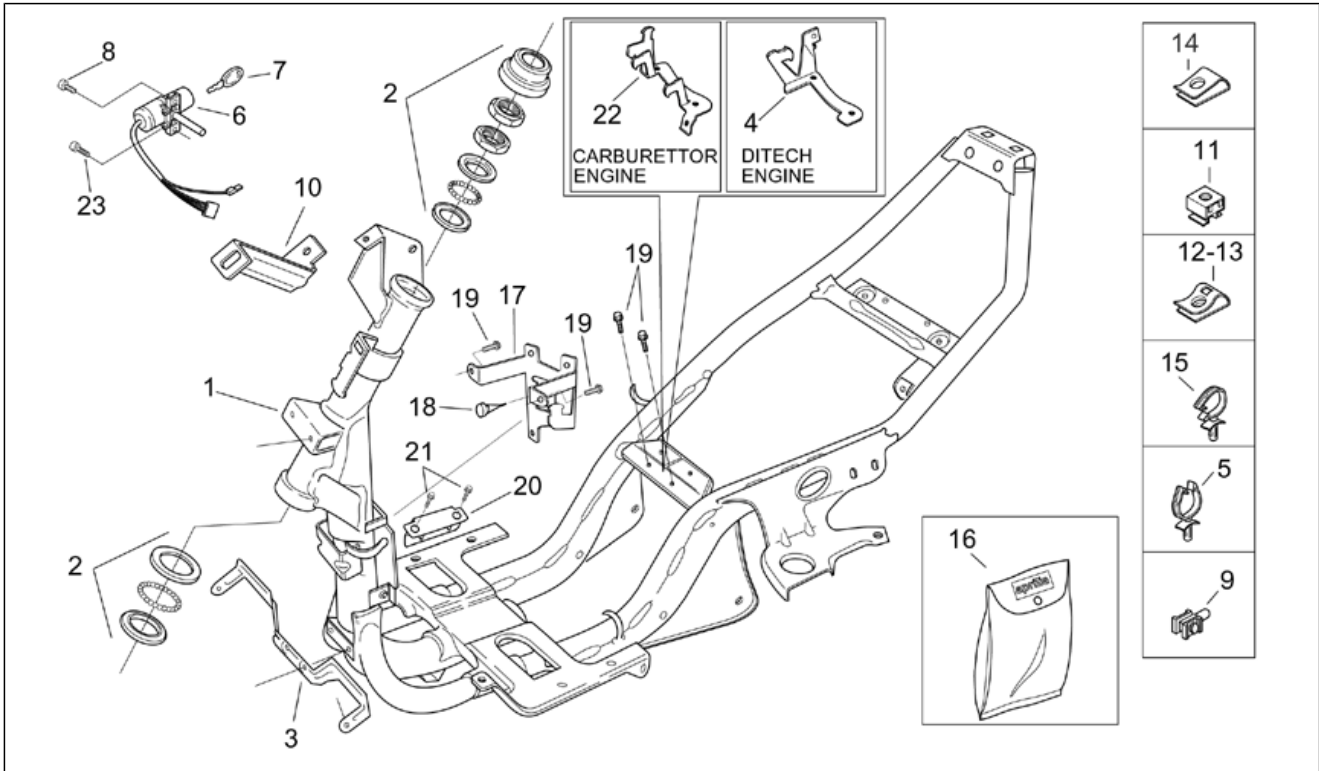
Code	No. table	Pos.	Code	No. table	Pos.	Code	No. table	Pos.
AP8203762	28.03	12	AP8208896	28.26	2	AP8214163	28.15	8
AP8203762	28.03	12	AP8208896	28.26	2	AP8214200	28.29	15
AP8203777	28.03	2	AP8208896	28.26	2	AP8214202	28.18	9
AP8203778	28.03	3	AP8208896	28.26	2	AP8214203	28.18	9
AP8203779	28.03	5	AP8208897	28.28	2	AP8214220	28.29	17
AP8203780	28.03	6	AP8208897	28.28	2	AP8217034	28.07	15
AP8203781	28.03	8	AP8208897	28.28	2	AP8218114	28.17	17
AP8203782	28.03	9	AP8208897	28.28	2	AP8218136	28.17	14
AP8203783	28.03	10	AP8208908	28.26	2	AP8218153	28.17	15
AP8203784	28.03	11	AP8208908	28.26	2	AP8218154	28.17	18
AP8203785	28.04	1	AP8208909	28.28	2	AP8218210	28.15	1
AP8203786	28.03	13	AP8208909	28.28	2	AP8218265	28.17	1
AP8203787	28.04	2	AP8212110	28.33	6	AP8218265	28.18	12
AP8203788	28.04	3	AP8212382	28.33	10	AP8218275	28.17	1
AP8203794	28.04	10	AP8212469	28.33	5	AP8218275	28.18	12
AP8203795	28.04	11	AP8212611	28.33	8	AP8218331	28.18	10
AP8203796	28.04	9	AP8212698	28.32	4	AP8218549	28.17	4
AP8203797	28.03	12	AP8212767	28.16	10	AP8218549	28.18	2
AP8203977	29.23	6	AP8212771	28.30	3	AP8219212	28.25	7
AP8203977	29.24	4	AP8212775	28.32	8	AP8219389	28.25	13
AP8203977	29.24	4	AP8212837	28.16	8	AP8219452	28.25	13
AP8203986	28.03	14	AP8212841	28.30	1	AP8219452	28.25	3
AP8203987	28.04	7	AP8212841	28.31	9	AP8219498	28.25	1
AP8203988	28.04	8	AP8212903	28.30	3	AP8219516	28.25	1
AP8203992	28.04	4	AP8212933	28.32	7	AP8219530	28.25	14
AP8203993	28.04	5	AP8212934	28.32	6	AP8219531	28.25	15
AP8203994	28.04	7	AP8212936	28.30	8	AP8219532	28.25	16
AP8203995	28.04	8	AP8212937	28.32	8	AP8219533	28.25	17
AP8206233	29.24	9	AP8212994	28.16	8	AP8219534	28.25	18
AP8206936	28.04	6	AP8213198	28.27	4	AP8219535	28.25	12
AP8208646	28.29	6	AP8213199	28.27	5	AP8219540	28.25	12
AP8208705	28.26	2	AP8213213	28.27	2	AP8219543	28.25	12
AP8208705	28.26	2	AP8213227	28.27	4	AP8220195	28.19	8
AP8208708	28.26	2	AP8213231	28.26	3	AP8220238	28.01	18
AP8208708	28.26	2	AP8213231	28.28	3	AP8220238	28.02	7
AP8208709	28.28	2	AP8213246	28.27	3	AP8220263	28.20	10
AP8208709	28.28	2	AP8213248	28.27	1	AP8220263	28.33	19
AP8208710	28.28	2	AP8213272	28.17	6	AP8220283	28.33	21
AP8208784	28.26	2	AP8213272	28.18	4	AP8220313	28.13	11
AP8208785	28.28	2	AP8213298	28.17	7	AP8220346	28.02	11
AP8208812	28.28	13	AP8213298	28.18	5	AP8220349	28.11	2
AP8208812	28.28	13	AP8213299	28.17	10	AP8220357	28.25	9
AP8208812	28.28	13	AP8213299	28.18	8	AP8220399	28.02	12
AP8208812	28.28	13	AP8213373	28.29	9	AP8220402	28.19	17
AP8208824	28.28	13	AP8213375	28.17	2	AP8220421	28.19	9
AP8208824	28.28	13	AP8213375	28.18	11	AP8220453	28.15	5
AP8208824	28.28	13	AP8213400	28.17	12	AP8220454	28.15	4
AP8208825	28.26	2	AP8213400	28.18	13	AP8220468	28.13	19
AP8208825	28.26	2	AP8213406	28.29	8	AP8220471	28.07	16
AP8208825	28.26	2	AP8213407	28.29	10	AP8220472	28.20	7
AP8208825	28.26	2	AP8213408	28.29	11	AP8220474	28.21	7
AP8208826	28.26	2	AP8213424	28.29	7	AP8220545	29.59	2
AP8208826	28.26	2	AP8213457	28.28	18	AP8220546	28.33	13
AP8208826	28.26	2	AP8213474	28.28	11	AP8220551	28.15	17
AP8208827	28.28	2	AP8213479	28.28	7	AP8220562	29.23	13
AP8208827	28.28	2	AP8213482	28.27	2	AP8220562	29.24	2
AP8208827	28.28	2	AP8213482	28.27	2	AP8220565	28.21	5
AP8208827	28.28	2	AP8213484	28.18	1	AP8220571	28.28	13
AP8208828	28.28	2	AP8213485	28.17	3	AP8220571	28.29	1
AP8208828	28.28	2	AP8213488	28.28	7	AP8220578	28.21	6
AP8208828	28.28	2	AP8213488	28.28	7	AP8220579	28.28	13
AP8208893	28.26	2	AP8213488	28.28	7	AP8220579	28.28	13
AP8208893	28.26	2	AP8213488	28.28	7	AP8220580	28.06	6
AP8208893	28.26	2	AP8213488	28.28	7	AP8220587	28.22	2
AP8208894	28.28	2	AP8213488	28.28	7	AP8220588	28.22	14
AP8208894	28.28	2	AP8213488	28.28	7	AP8220592	28.13	23
AP8208894	28.28	2	AP8213488	28.28	7	AP8220596	28.20	15

Code	No. table	Pos.	Code	No. table	Pos.	Code	No. table	Pos.
AP8220597	28.20	19	AP8223038	28.03	2	AP8224389	28.32	18
AP8220598	28.20	22	AP8223039	28.03	3	AP8224390	28.30	17
AP8220603	28.22	16	AP8223040	28.04	4	AP8224390	28.31	16
AP8220604	28.22	17	AP8223041	28.03	5	AP8224390	28.32	20
AP8220605	28.22	23	AP8223042	28.03	6	AP8224391	28.31	15
AP8220711	29.56	18	AP8223043	28.04	7	AP8224392	28.30	16
AP8221036	29.59	9	AP8223044	28.04	8	AP8224393	28.32	19
AP8221046	28.10	10	AP8223045	28.03	15	AP8224398	29.59	5
AP8221119	28.26	10	AP8223046	28.03	10	AP8224398	29.59	5
AP8221120	28.29	16	AP8223047	28.04	6	AP8224398	29.59	5
AP8221213	28.01	11	AP8223048	28.04	5	AP8224401	28.33	9
AP8221218	28.14	6	AP8223049	28.03	8	AP8224402	28.15	11
AP8221242	28.15	6	AP8223050	28.03	13	AP8224406	28.30	15
AP8221297	28.25	4	AP8223051	28.04	13	AP8224408	29.59	5
AP8221307	29.23	19	AP8223052	28.04	10	AP8224414	29.59	5
AP8221307	29.24	5	AP8223053	28.04	11	AP8224414	29.59	5
AP8221310	28.01	15	AP8223054	28.04	9	AP8224414	29.59	5
AP8221311	28.01	5	AP8224057	28.33	4	AP8224417	29.59	5
AP8221312	28.13	13	AP8224062	28.30	9	AP8224417	29.59	5
AP8221312	28.34	7	AP8224063	28.30	10	AP8224448	29.59	5
AP8221313	29.23	21	AP8224073	28.33	14	AP8224478	28.33	24
AP8221314	29.23	20	AP8224102	28.33	7	AP8224484	28.15	11
AP8221315	28.02	2	AP8224130	28.16	12	AP8224485	28.15	11
AP8221317	28.02	5	AP8224148	28.30	8	AP8224491	28.33	9
AP8221318	28.02	6	AP8224163	28.08	8	AP8224491	28.33	9
AP8221321	28.13	7	AP8224164	28.14	29	AP8224492	28.33	26
AP8221322	29.24	8	AP8224170	28.33	23	AP8224521	28.15	11
AP8221323	28.02	4	AP8224173	28.32	16	AP8225123	28.26	5
AP8221328	28.02	2	AP8224174	28.32	15	AP8225271	28.26	12
AP8222681	29.24	1	AP8224193	28.31	1	AP8225323	28.26	13
AP8222681	29.24	1	AP8224196	28.32	14	AP8225358	28.26	4
AP8222692	29.23	1	AP8224197	28.31	4	AP8225358	28.28	4
AP8222708	28.19	13	AP8224198	28.31	5	AP8225359	28.30	2
AP8222715	29.23	2	AP8224210	28.30	13	AP8225367	28.05	13
AP8222724	29.23	1	AP8224211	28.30	4	AP8225369	28.05	11
AP8222765	29.24	1	AP8224212	28.30	12	AP8225369	28.13	26
AP8222765	29.24	1	AP8224213	28.30	7	AP8226602	28.14	2
AP8222765	29.24	1	AP8224214	28.30	5	AP8226603	28.14	4
AP8222768	29.24	1	AP8224215	28.30	11	AP8226626	28.14	4
AP8222768	29.24	1	AP8224245	28.32	9	AP8226627	28.14	2
AP8222770	29.24	1	AP8224248	28.33	9	AP8226628	28.08	1
AP8222770	29.24	1	AP8224251	28.31	8	AP8226650	28.08	1
AP8222771	29.24	1	AP8224258	28.31	7	AP8226651	28.08	1
AP8222771	29.24	1	AP8224258	28.32	17	AP8226660	28.14	5
AP8222771	29.24	1	AP8224259	28.31	6	AP8226671	28.08	1
AP8222775	29.24	1	AP8224261	29.59	6	AP8226671	28.08	1
AP8222775	29.24	1	AP8224262	29.59	5	AP8226672	28.08	1
AP8222775	29.24	1	AP8224262	29.59	5	AP8226672	28.08	1
AP8222776	29.23	1	AP8224268	28.32	5	AP8226678	28.08	1
AP8222777	29.24	1	AP8224279	28.33	9	AP8226678	28.08	1
AP8222777	29.24	1	AP8224296	28.33	7	AP8226689	28.08	1
AP8222777	29.24	1	AP8224304	29.59	7	AP8226689	28.08	1
AP8222778	29.24	1	AP8224320	28.33	9	AP8226689	28.08	1
AP8222778	29.24	1	AP8224321	28.15	11	AP8226700	28.08	1
AP8222778	29.24	1	AP8224326	28.33	20	AP8226701	28.08	1
AP8223004	28.03	1	AP8224326	29.51	11	AP8226727	28.08	1
AP8223015	29.24	4	AP8224340	28.32	2	AP8226728	28.08	1
AP8223015	29.24	4	AP8224341	28.32	3	AP8226728	28.08	1
AP8223015	29.24	4	AP8224342	28.04	12	AP8226728	28.08	1
AP8223015	29.24	4	AP8224343	28.01	6	AP8226733	28.08	1
AP8223015	29.24	4	AP8224343	28.34	2	AP8226734	28.08	1
AP8223015	29.24	4	AP8224344	28.15	13	AP8226748	28.08	1
AP8223024	29.23	6	AP8224345	28.15	14	AP8226749	28.14	25
AP8223024	29.24	4	AP8224346	28.32	1	AP8226760	28.08	1
AP8223025	29.24	4	AP8224347	28.32	10	AP8226768	28.08	1
AP8223025	29.24	4	AP8224368	28.15	16	AP8226771	28.08	1
AP8223037	28.04	1	AP8224369	28.15	15	AP8226827	28.08	1

Code	No. table	Pos.	Code	No. table	Pos.	Code	No. table	Pos.
AP8226828	28.08	1	AP8249298	28.22	7	AP8258039	28.07	1
AP8226835	28.08	1	AP8249299	28.22	8	AP8258058	28.13	6
AP8226836	28.08	1	AP8249300	28.20	26	AP8258059	28.20	23
AP8229192	28.11	7	AP8249348	28.10	1	AP8258091	28.05	4
AP8229293	28.11	1	AP8249447	28.11	6	AP8258169	28.09	4
AP8229293	28.11	1	AP8249448	28.05	4	AP8258208	28.07	1
AP8229297	28.11	7	AP8249452	28.12	1	AP8258209	28.12	1
AP8229297	28.11	7	AP8249455	28.11	3	AP8258210	28.06	1
AP8229318	28.11	7	AP8249532	28.13	17	AP8258211	28.10	1
AP8229318	28.11	7	AP8249532	28.13	17	AP8258213	28.05	4
AP8229319	28.11	7	AP8249532	28.13	17	AP8258213	28.05	4
AP8229321	28.11	7	AP8249532	28.13	17	AP8258213	28.05	4
AP8229321	28.11	7	AP8249554	28.05	4	AP8258213	28.05	4
AP8229344	28.11	1	AP8249558	28.14	16	AP8258214	28.11	6
AP8229344	28.11	1	AP8249582	28.22	1	AP8258233	28.10	1
AP8229344	28.11	1	AP8249584	28.12	1	AP8258234	28.10	1
AP8229344	28.11	1	AP8249585	28.06	1	AP8258235	28.07	1
AP8229345	28.11	7	AP8249586	28.10	1	AP8258236	28.12	1
AP8229354	28.11	1	AP8249587	28.11	6	AP8258238	28.05	4
AP8229355	28.11	7	AP8249698	28.05	1	AP8258239	28.11	6
AP8229358	28.11	7	AP8249708	28.12	4	AP8258253	28.14	28
AP8229358	28.11	7	AP8249711	28.05	4	AP8258336	28.05	4
AP8229359	28.11	7	AP8249713	28.07	11	AP8258336	28.05	4
AP8229383	28.11	1	AP8249715	28.07	12	AP8258336	28.05	4
AP8229384	28.11	7	AP8249762	28.14	14	AP8258337	28.05	4
AP8232941	28.21	4	AP8249764	28.09	3	AP8258482	28.07	1
AP8234130	28.01	10	AP8249766	28.15	12	AP8258483	28.12	1
AP8234161	28.29	22	AP8249767	28.06	2	AP8258484	28.06	1
AP8234184	28.01	17	AP8249767	28.06	2	AP8258485	28.10	1
AP8234189	28.01	4	AP8249767	28.06	2	AP8258486	28.11	6
AP8234190	28.01	20	AP8249767	28.06	2	AP8258547	28.06	2
AP8234191	28.01	3	AP8249768	28.06	1	AP8258549	28.07	1
AP8234194	28.07	17	AP8249769	28.06	3	AP8258550	28.12	1
AP8234195	28.13	24	AP8249769	28.06	3	AP8258551	28.06	1
AP8234196	28.02	17	AP8249769	28.06	3	AP8258552	28.10	1
AP8234199	28.22	22	AP8249769	28.06	3	AP8258553	28.05	4
AP8234200	28.22	21	AP8249879	28.05	2	AP8258554	28.05	4
AP8234210	28.33	25	AP8249880	29.23	7	AP8258555	28.11	6
AP8235048	28.29	14	AP8249892	28.10	3	AP8258556	28.06	3
AP8235069	28.01	1	AP8249893	28.10	1	AP8258556	28.06	3
AP8235072	28.02	1	AP8249894	28.10	1	AP8258556	28.06	3
AP8235090	28.02	1	AP8249919	28.06	3	AP8258558	28.06	2
AP8235110	28.02	10	AP8249919	28.06	3	AP8258558	28.06	2
AP8238433	28.19	7	AP8249919	28.06	3	AP8258558	28.06	2
AP8238507	28.09	5	AP8249920	28.06	2	AP8258558	28.06	2
AP8238512	28.08	4	AP8249920	28.06	2	AP8258558	28.06	2
AP8238681	28.13	9	AP8249920	28.06	2	AP8258559	28.09	3
AP8238748	28.05	7	AP8249922	28.12	1	AP8258560	28.09	4
AP8238749	28.05	8	AP8249923	28.06	1	AP8258561	28.13	17
AP8238750	28.21	2	AP8249923	28.06	1	AP8258561	28.13	17
AP8238769	28.21	10	AP8249923	28.06	1	AP8258561	28.13	17
AP8238806	28.05	12	AP8249924	28.10	1	AP8258561	28.13	17
AP8238856	28.13	1	AP8249925	28.10	1	AP8258561	28.13	17
AP8239070	28.05	4	AP8249926	28.11	6	AP8258561	28.13	17
AP8239471	28.20	1	AP8249927	28.07	1	AP8258562	28.14	14
AP8248653	28.05	5	AP8249928	28.12	1	AP8258564	28.05	1
AP8248656	28.07	2	AP8249929	28.10	1	AP8258565	28.28	13
AP8248657	28.07	6	AP8249930	28.10	1	AP8258676	28.07	1
AP8248665	28.10	2	AP8249931	28.11	6	AP8258677	28.12	1
AP8248666	28.10	4	AP8249956	28.22	12	AP8258678	28.06	1
AP8249100	28.31	2	AP8257757	28.35	1	AP8258679	28.10	1
AP8249101	28.31	3	AP8257841	28.35	4	AP8258681	28.11	6
AP8249104	28.08	7	AP8257842	28.35	1	AP8258729	28.07	1
AP8249105	28.08	6	AP8257843	28.35	4	AP8258730	28.12	1
AP8249136	28.31	14	AP8257973	28.35	3	AP8258731	28.06	1
AP8249137	28.05	8	AP8258037	28.07	1	AP8258732	28.10	1
AP8249285	28.05	5	AP8258038	28.07	1	AP8258733	28.11	6

Code	No. table	Pos.	Code	No. table	Pos.	Code	No. table	Pos.
AP8258781	28.07	1	AP8267412	28.37	1	AP8792080	30.61	2
AP8258782	28.12	1	AP8267413	28.37	2	AP8792157	30.63	1
AP8258783	28.06	1	AP8267440	28.36	2	AP8793051	30.61	4
AP8258784	28.10	1	AP8267586	28.35	1			
AP8258785	28.11	6	AP8267592	28.36	1			
AP8258786	28.06	2	AP8267593	28.36	1			
AP8258787	28.09	3	AP8267594	28.37	1			
AP8258788	28.09	4	AP8267595	28.37	1			
AP8258789	28.13	17	AP8267596	28.37	2			
AP8258790	28.14	14	AP8267597	28.37	2			
AP8258809	28.07	1	AP8267655	28.37	2			
AP8258810	28.12	1	AP8267656	28.37	1			
AP8258811	28.06	1	AP8267657	28.36	1			
AP8258812	28.10	1	AP8267702	28.37	2			
AP8258813	28.11	6	AP8267703	28.37	1			
AP8258815	28.06	3	AP8267704	28.36	1			
AP8258822	28.07	1	AP8267898	28.36	1			
AP8258823	28.12	1	AP8267899	28.36	1			
AP8258824	28.06	1	AP8267900	28.36	1			
AP8258825	28.10	1	AP8267901	28.36	1			
AP8258826	28.11	6	AP8267902	28.36	1			
AP8258827	28.06	3	AP8267903	28.37	1			
AP8258827	28.06	3	AP8267903	28.37	1			
AP8258829	28.07	1	AP8267904	28.37	1			
AP8258830	28.12	1	AP8267906	28.37	1			
AP8258831	28.06	1	AP8267907	28.37	1			
AP8258832	28.10	1	AP8267908	28.37	2			
AP8258834	28.05	4	AP8267909	28.37	2			
AP8258835	28.11	6	AP8267910	28.37	2			
AP8258843	28.07	1	AP8267911	28.37	2			
AP8258844	28.12	1	AP8267912	28.37	2			
AP8258845	28.06	1	AP8268203	28.07	1			
AP8258846	28.10	1	AP8268204	28.12	1			
AP8258848	28.05	4	AP8268205	28.06	1			
AP8258849	28.11	6	AP8268215	28.10	1			
AP8258850	28.05	1	AP8268216	28.11	6			
AP8258933	28.07	1	AP8268244	28.07	1			
AP8258934	28.12	1	AP8268245	28.12	1			
AP8258998	28.09	5	AP8268246	28.06	1			
AP8267191	28.36	1	AP8268247	28.10	1			
AP8267192	28.37	1	AP8268248	28.11	6			
AP8267193	28.37	2	AP8276065	28.20	16			
AP8267194	28.36	1	AP8276090	29.56	19			
AP8267195	28.37	1	AP8277017	28.36	1			
AP8267196	28.37	2	AP8277018	28.37	1			
AP8267197	28.36	1	AP8277019	28.37	2			
AP8267198	28.37	1	AP8277039	28.35	1			
AP8267199	28.37	2	AP8277332	28.36	1			
AP8267200	28.36	1	AP8277334	28.36	1			
AP8267201	28.37	1	AP8277337	28.37	1			
AP8267202	28.37	2	AP8277339	28.37	1			
AP8267249	28.36	2	AP8277342	28.37	2			
AP8267288	28.37	1	AP8277344	28.37	2			
AP8267289	28.37	1	AP8277444	28.35	5			
AP8267290	28.37	1	AP8700792	30.63	3			
AP8267291	28.37	1	AP8700793	30.63	3			
AP8267368	28.35	1	AP8700794	30.63	3			
AP8267393	28.35	1	AP8720115	30.64	1			
AP8267397	28.35	4	AP8720116	30.64	2			
AP8267398	28.35	1	AP8720117	30.64	3			
AP8267404	28.36	1	AP8720118	30.64	4			
AP8267405	28.36	1	AP8790154	30.63	2			
AP8267406	28.37	1	AP8791128	30.60	2			
AP8267407	28.37	1	AP8791129	30.60	1			
AP8267408	28.37	2	AP8791130	30.60	4			
AP8267409	28.37	2	AP8791131	30.60	3			
AP8267411	28.36	1	AP8792066	30.61	1			

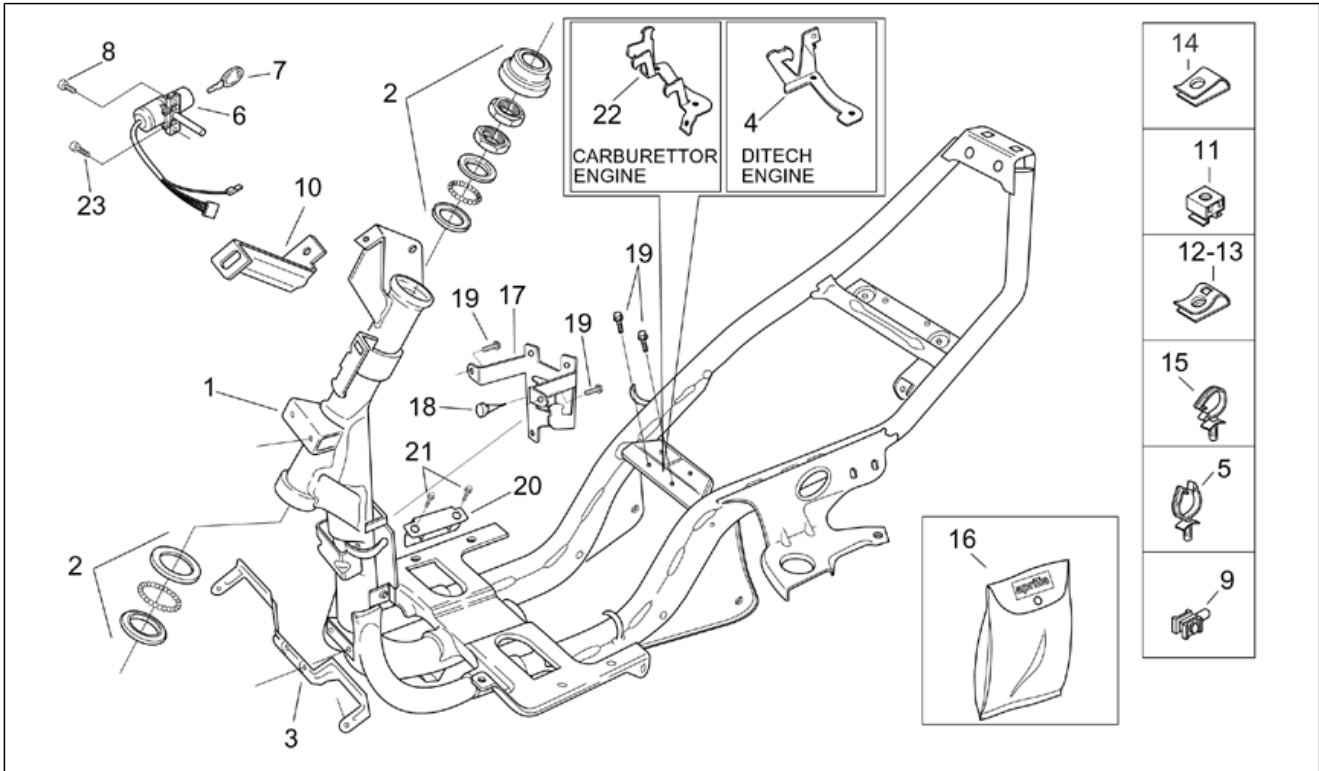
<b>Group</b>	FRAME
<b>Code</b>	28.01
<b>Description</b>	Frame
<b>Service</b>	1



Pos.	Code	Description	Qty	Variants
1	AP8235069	Frame with electro-coating	1	
2	AP8203666	Ball ring set, complete	1	
3	AP8234191	Underpanel support	1	
4	AP8234189	Oil pump support	1	<b>Technical Specifications:</b> "DITECH" engine with direct fuel injection[ie]
5	AP8221311	Fairlead d18	2	
6	AP8224343	Main switch - steering lock	1	
7	AP8102880	Aprilia milled key	1	
8	AP8152140	Shear rivet M6x17	1	
9	AP8202238	Cable-guide hook	1	
10	AP8234130	Front shield support	1	
11	AP8221213	Captive nut M6	2	
12	AP8102376	Clip M6	9	
13	AP8102375	Clip m5	4	
14	AP8201763	Screw clip D5,5*	3	
15	AP8221310	Cable-guide	2	
16	AP8201685	Toolkit	1	<b>Technical Specifications:</b> Engine with carburettor[carb]
16	AP8202216	Toolkit	1	<b>Technical Specifications:</b> "DITECH" engine with direct fuel injection[ie]
17	AP8234184	Control unit fixing plate	1	<b>Technical Specifications:</b> "DITECH" engine with direct fuel injection[ie]
18	AP8220238	Rubber spacer	1	<b>Technical Specifications:</b> "DITECH" engine with direct fuel injection[ie]
19	AP8152278	Screw w/ flange M6x16	4	
20	AP8234190	Coil unit fixing plate	1	<b>Technical Specifications:</b> "DITECH" engine with direct fuel injection[ie]
21	AP8152277	Screw w/ flange M6x12	3	<b>Technical Specifications:</b> "DITECH" engine with direct fuel injection[ie]
22	AP8134639	El.components support	1	<b>Technical Specifications:</b> Engine with carburettor[carb]

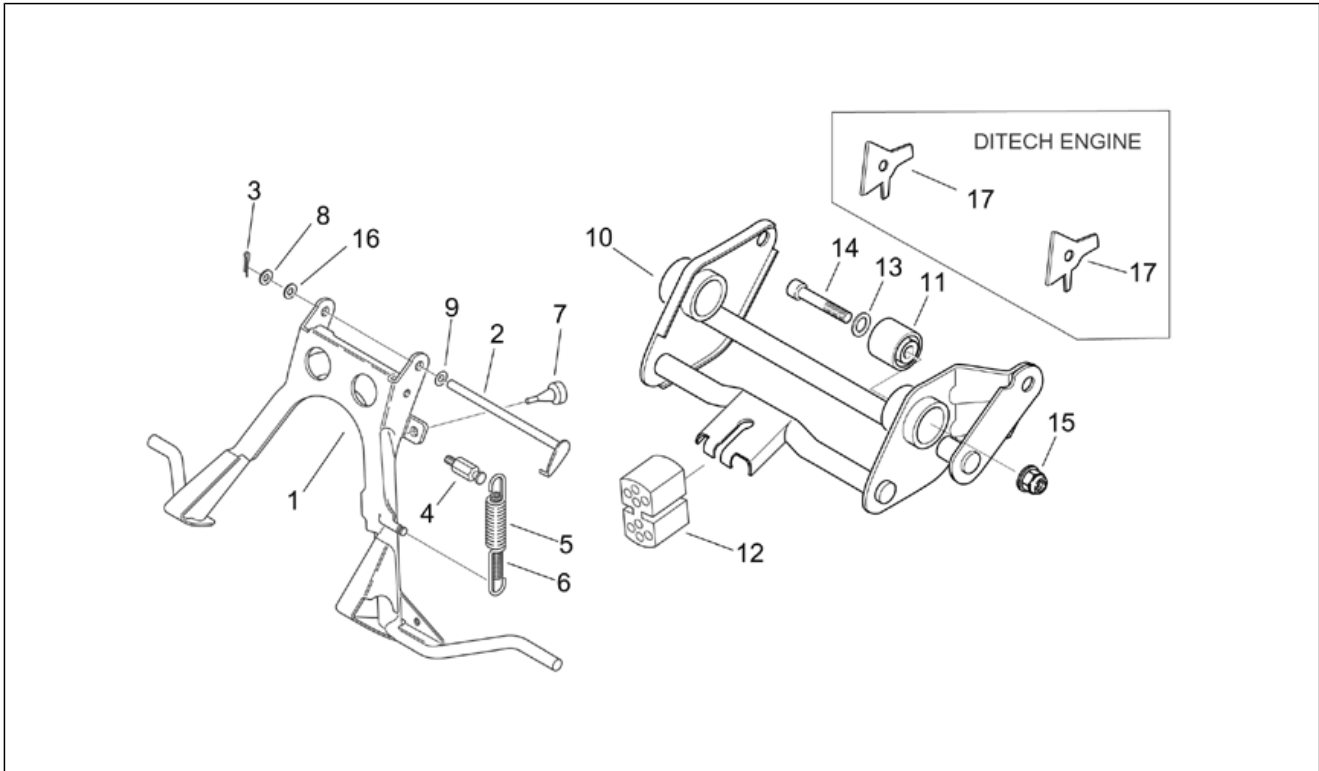


<b>Group</b>	FRAME
<b>Code</b>	28.01
<b>Description</b>	Frame
<b>Service</b>	1



Pos.	Code	Description	Qty	Variants
23	AP8150137	Hex socket screw	1	

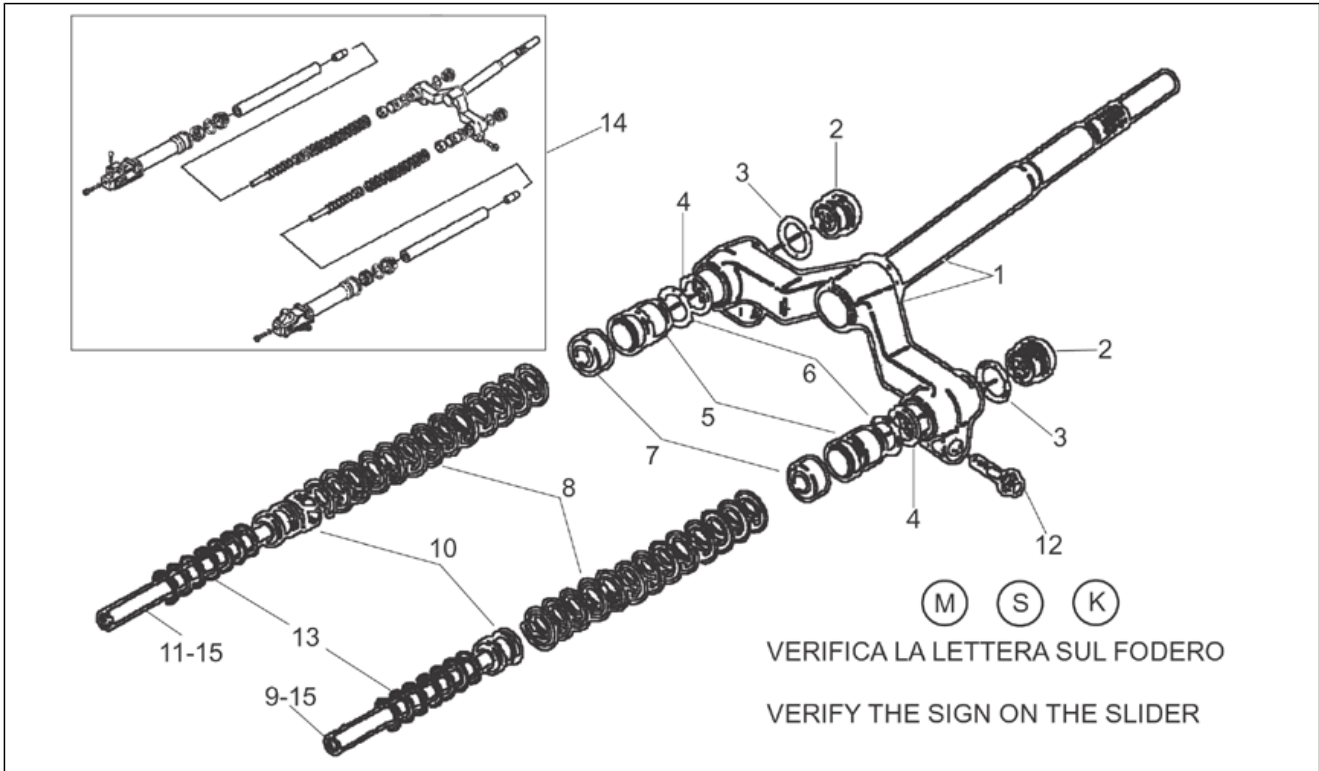
<b>Group</b>	FRAME
<b>Code</b>	28.02
<b>Description</b>	Central stand - Connecting rod
<b>Service</b>	1



Pos.	Code	Description	Qty	Variants
1	AP8235072	Central stand	1	<b>Technical Specifications:</b> Engine with carburettor[carb]
1	AP8235090	Central stand	1	<b>Technical Specifications:</b> "DITECH" engine with direct fuel injection[ie]
2	AP8221315	Stand pin mm 141,5	1	<b>Technical Specifications:</b> Engine with carburettor[carb]
2	AP8221328	Stand pin mm 151,8	1	<b>Technical Specifications:</b> "DITECH" engine with direct fuel injection[ie]
3	AP8101606	Split pin	1	
4	AP8221323	Spring coupling screw	2	
5	AP8221317	Lateral stand spring	1	
6	AP8221318	Internal lateral stand spring	1	
7	AP8220238	Rubber spacer	1	
8	AP8150017	Washer 8,4x16x1,6	1	
9	AP8150376	Washer 8,5x15x0,8	1	
10	AP8235110	Engine connecting element	1	
11	AP8220346	Silent-block	2	
12	AP8220399	Fuse drift	1	
13	AP8150020	Washer 10,5x21x2*	2	
14	AP8150086	Hex socket screw	2	
15	AP8152301	Self-locking nut	2	
16	AP8121697	Belleville spring	1	
17	AP8234196	Connecting rod plate	2	<b>Technical Specifications:</b> "DITECH" engine with direct fuel injection[ie]

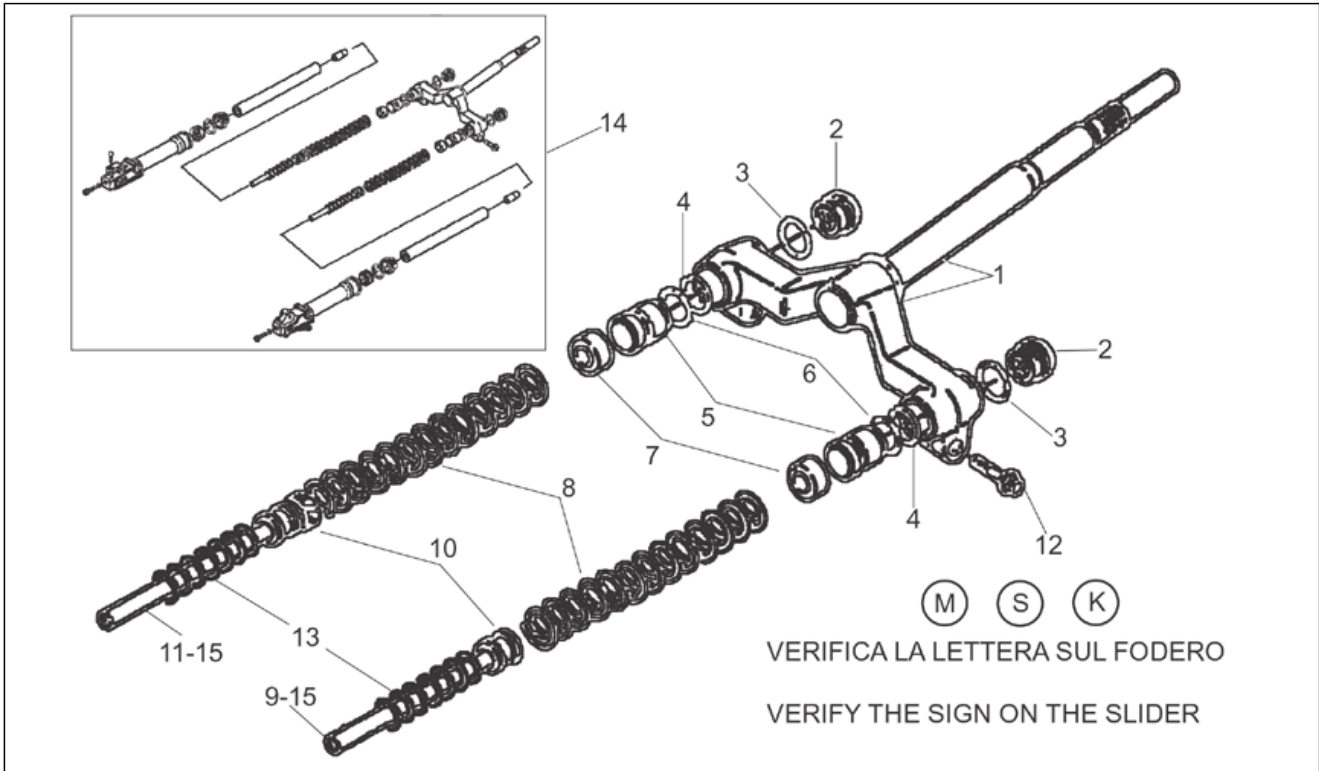


<b>Group</b>	FRAME
<b>Code</b>	28.03
<b>Description</b>	Front fork I
<b>Service</b>	1



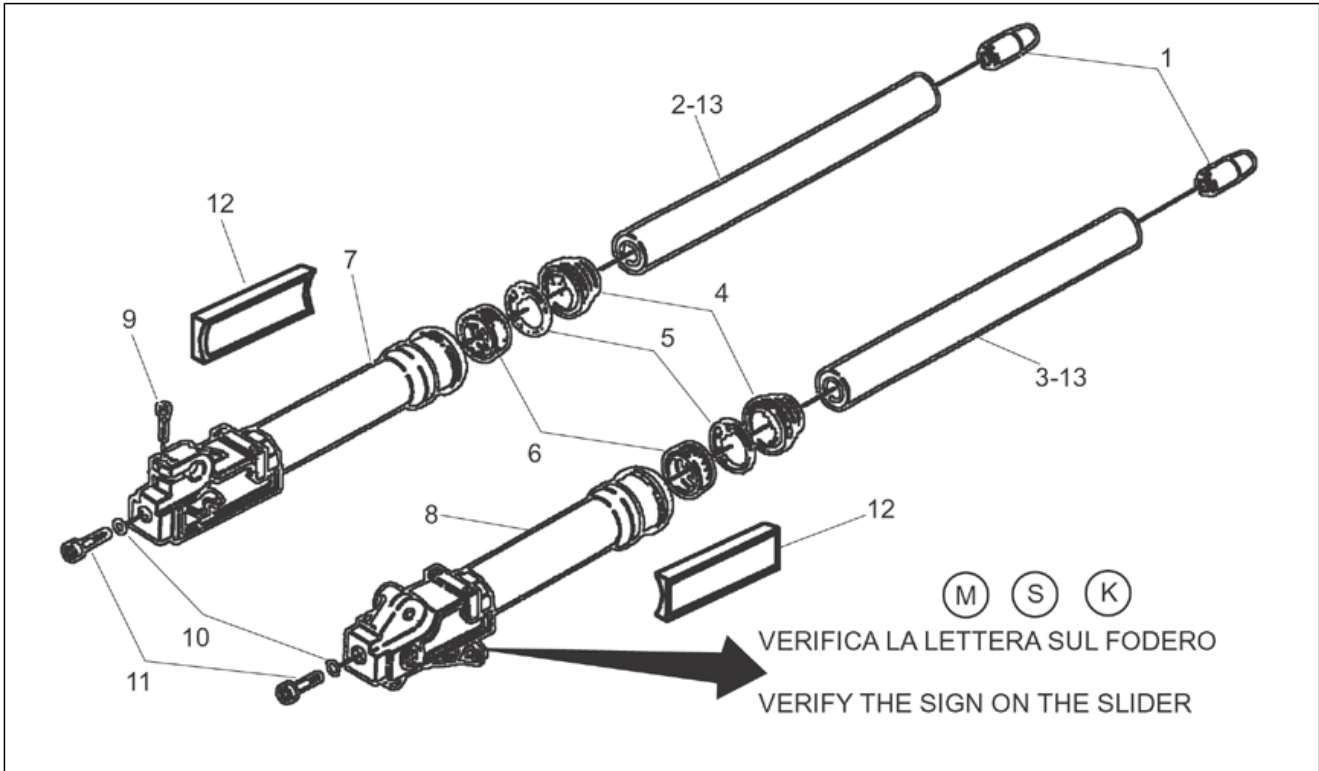
Pos.	Code	Description	Qty	Variants
1	AP8223004	Stem base	1	
2	AP8203561	Plug	2	<b>Technical Specifications:</b> Fork with letter M on hub[MA]
2	AP8203777	Plug	2	<b>Technical Specifications:</b> Fork with letter S on hub[S]
2	AP8223038	Plug	2	<b>Technical Specifications:</b> Mark KAIFA[K]
3	AP8203652	O-ring	2	<b>Technical Specifications:</b> Fork with letter M on hub[MA]
3	AP8203778	Ring	2	<b>Technical Specifications:</b> Fork with letter S on hub[S]
3	AP8223039	Ring	2	<b>Technical Specifications:</b> Mark KAIFA[K]
4	AP8203702	Stop ring	2	<b>Technical Specifications:</b> Fork with letter S on hub[S]
4	AP8203752	Stop ring	2	<b>Technical Specifications:</b> Fork with letter M on hub[MA]
5	AP8203753	Cover	2	<b>Technical Specifications:</b> Fork with letter M on hub[MA]
5	AP8203779	Cover	2	<b>Technical Specifications:</b> Fork with letter S on hub[S]
5	AP8223041	Cover	2	<b>Technical Specifications:</b> Mark KAIFA[K]
6	AP8203754	O-ring	2	<b>Technical Specifications:</b> Fork with letter M on hub[MA]
6	AP8203780	O-ring	2	<b>Technical Specifications:</b> Fork with letter S on hub[S]
6	AP8223042	O-ring	2	<b>Technical Specifications:</b> Mark KAIFA[K]
7	AP8203755	pipe	2	<b>Technical Specifications:</b> Fork with letter M on hub[MA]
8	AP8203756	Spring	2	<b>Technical Specifications:</b> Fork with letter M on hub[MA]
8	AP8203781	Spring	2	<b>Technical Specifications:</b> Fork with letter S on hub[S]
8	AP8223049	Spring	2	<b>Technical Specifications:</b> Mark KAIFA[K]
9	AP8203757	Shock absorber, LH	1	<b>Technical Specifications:</b> Fork with letter M on hub[MA]
9	AP8203782	Shock absorber, LH	1	<b>Technical Specifications:</b> Fork with letter S on hub[S]
10	AP8203758	Fork pump ring	1	<b>Technical Specifications:</b> Fork with letter M on hub[MA]
10	AP8203783	Fork pump ring	1	<b>Technical Specifications:</b> Fork with letter S on hub[S]
10	AP8223046	Fork pump ring	1	<b>Technical Specifications:</b> Mark KAIFA[K]
11	AP8203759	Shock absorber, RH	1	<b>Technical Specifications:</b> Fork with letter M on hub[MA]
11	AP8203784	Shock absorber, RH	1	<b>Technical Specifications:</b> Fork with letter S on hub[S]
12	AP8203762	screw M10x35	2	<b>Technical Specifications:</b> Mark KAIFA[K]
12	AP8203762	screw M10x35	2	<b>Technical Specifications:</b> Fork with letter M on hub[MA]

<b>Group</b>	FRAME
<b>Code</b>	28.03
<b>Description</b>	Front fork I
<b>Service</b>	1



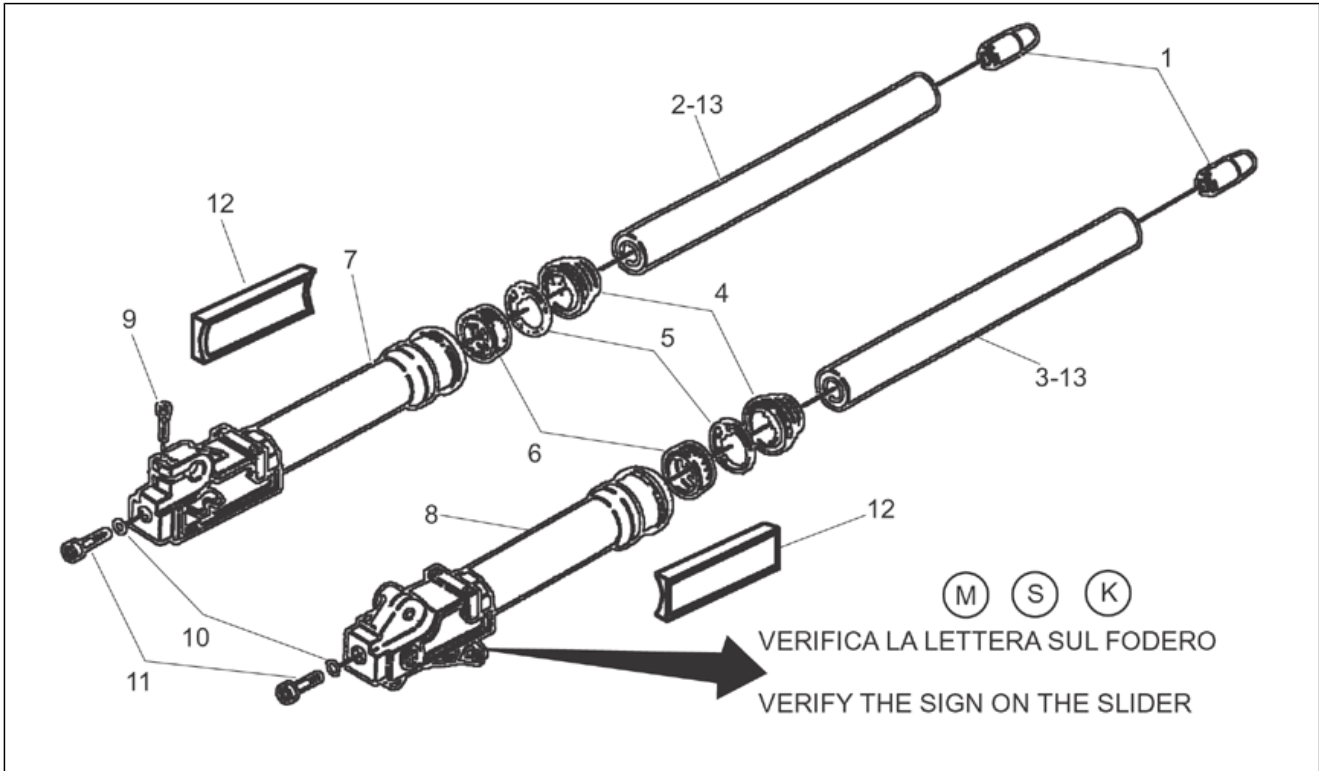
Pos.	Code	Description	Qty	Variants
12	AP8203797	screw	2	<b>Technical Specifications:</b> Fork with letter S on hub[S]
13	AP8123708	Return spring	2	<b>Technical Specifications:</b> Fork with letter M on hub[MA]
13	AP8203786	Return spring	2	<b>Technical Specifications:</b> Fork with letter S on hub[S]
13	AP8223050	Return spring	2	<b>Technical Specifications:</b> Mark KAIFA[K]
14	AP8203986	Front fork	1	
15	AP8223045	Plunger, complete	2	<b>Technical Specifications:</b> Mark KAIFA[K]

<b>Group</b>	FRAME
<b>Code</b>	28.04
<b>Description</b>	Fork II
<b>Service</b>	1



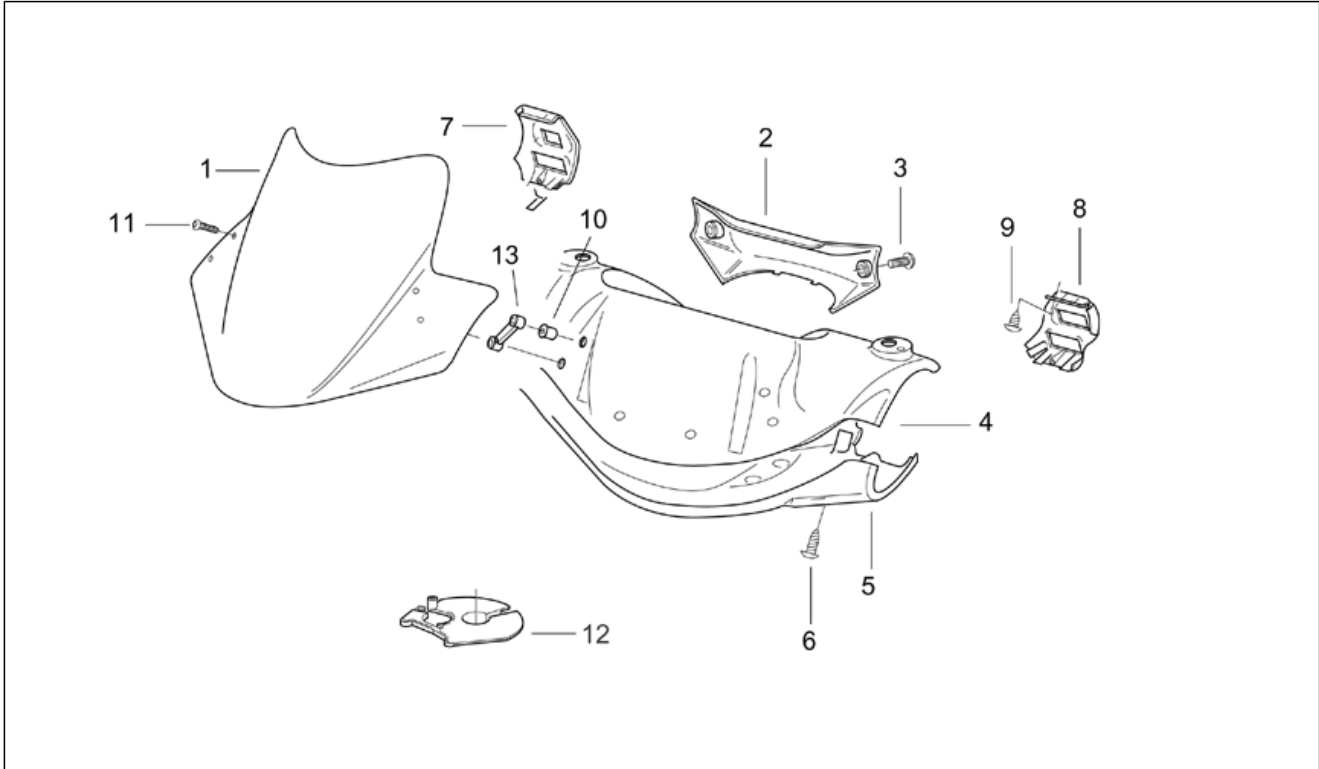
Pos.	Code	Description	Qty	Variants
1	AP8123701	Stroke limit stop	2	<b>Technical Specifications:</b> Fork with letter M on hub[MA]
1	AP8203785	Stroke limit stop	2	<b>Technical Specifications:</b> Fork with letter S on hub[S]
1	AP8223037	Stroke limit stop	2	<b>Technical Specifications:</b> Mark KAIFA[K]
2	AP8203760	RH pipe, complete	1	<b>Technical Specifications:</b> Fork with letter M on hub[MA]
2	AP8203787	RH pipe, complete	1	<b>Technical Specifications:</b> Fork with letter S on hub[S]
3	AP8203761	LH pipe, complete	1	<b>Technical Specifications:</b> Fork with letter M on hub[MA]
3	AP8203788	LH pipe, complete	1	<b>Technical Specifications:</b> Fork with letter S on hub[S]
4	AP8203564	Dust cover	2	<b>Technical Specifications:</b> Fork with letter M on hub[MA]
4	AP8203992	Dust cover	2	<b>Technical Specifications:</b> Fork with letter S on hub[S]
4	AP8223040	Dust cover	2	<b>Technical Specifications:</b> Mark KAIFA[K]
5	AP8203566	Stop ring	2	<b>Technical Specifications:</b> Fork with letter M on hub[MA]
5	AP8203993	Stop ring	2	<b>Technical Specifications:</b> Fork with letter S on hub[S]
5	AP8223048	Stop ring	2	<b>Technical Specifications:</b> Mark KAIFA[K]
6	AP8203565	Gasket ring	2	<b>Technical Specifications:</b> Fork with letter M on hub[MA]
6	AP8206936	Oil seal	2	<b>Technical Specifications:</b> Fork with letter S on hub[S]
6	AP8223047	Oil seal	2	<b>Technical Specifications:</b> Mark KAIFA[K]
7	AP8203987	RH sleeve	1	<b>Technical Specifications:</b> Fork with letter M on hub[MA]
7	AP8203994	RH sleeve	1	<b>Technical Specifications:</b> Fork with letter S on hub[S]
7	AP8223043	RH sleeve	1	<b>Technical Specifications:</b> Mark KAIFA[K]
8	AP8203988	LH sleeve	1	<b>Technical Specifications:</b> Fork with letter M on hub[MA]
8	AP8203995	LH sleeve	1	<b>Technical Specifications:</b> Fork with letter S on hub[S]
8	AP8223044	LH sleeve	1	<b>Technical Specifications:</b> Mark KAIFA[K]
9	AP8203571	screw	1	<b>Technical Specifications:</b> Fork with letter M on hub[MA]
9	AP8203796	screw M6x20	1	<b>Technical Specifications:</b> Fork with letter S on hub[S]
9	AP8223054	Hex socket screw M6x20	1	<b>Technical Specifications:</b> Mark KAIFA[K]
10	AP8203572	Seal washer	2	<b>Technical Specifications:</b> Fork with letter M on hub[MA]
10	AP8203794	Washer	2	<b>Technical Specifications:</b> Fork with letter S on hub[S]
10	AP8223052	Washer	2	<b>Technical Specifications:</b> Mark KAIFA[K]

<b>Group</b>	FRAME
<b>Code</b>	28.04
<b>Description</b>	Fork II
<b>Service</b>	1



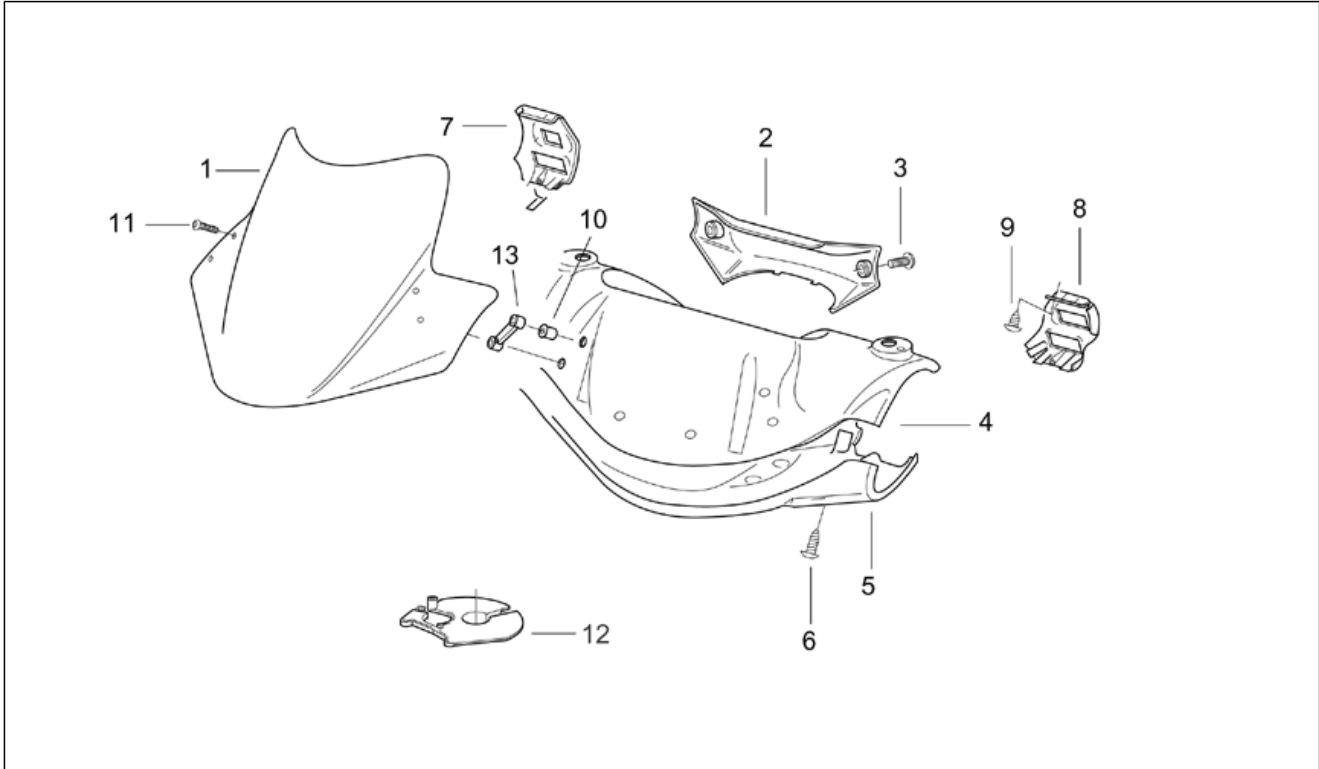
Pos.	Code	Description	Qty	Variants
11	AP8203570	Screw M8x30	2	<b>Technical Specifications:</b> Fork with letter M on hub[MA]
11	AP8203795	screw	2	<b>Technical Specifications:</b> Fork with letter S on hub[S]
11	AP8223053	screw	2	<b>Technical Specifications:</b> Mark KAIFA[K]
12	AP8224342	Reflector	2	
13	AP8223051	Sleeve cpl.	2	<b>Technical Specifications:</b> Mark KAIFA[K]

<b>Group</b>	FRAME
<b>Code</b>	28.05
<b>Description</b>	Front body I
<b>Service</b>	1



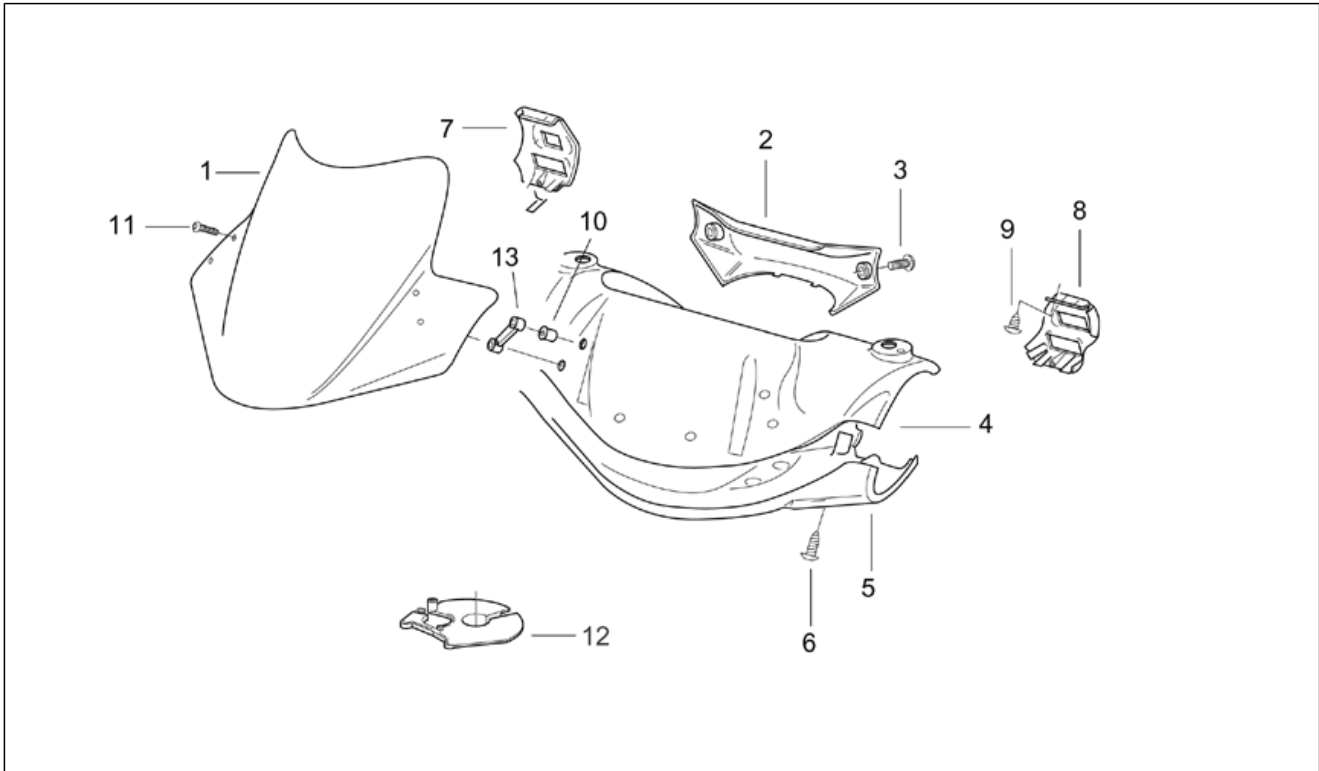
Pos.	Code	Description	Qty	Variants
1	AP8249698	Blue front fairing windshield	1	
1	AP8258564	Front fairing windshield,black	1	
1	AP8258850	Red front fairing windshield	1	
2	AP8249879	Handlebar plate, met.black	1	
3	AP8152302	Screw w/ flange M5x12	2	
4	AP8149300	Dashboard panel, hot red	1	<b>Vehicle colour:</b> Hot Red "Sport" 2000-2001[h.red] <b>Country:</b> United States of America[AM], United States of America[USA]
4	AP8149301	Dashboard panel, e.blue	1	<b>Vehicle colour:</b> Electric Blue "Sport" 2000-2001[el.bl] <b>Country:</b> United States of America[AM], United States of America[USA]
4	AP8158085	Dashboard panel, black	1	<b>Year:</b> 2003[3] <b>Vehicle colour:</b> Tuono 2003[tuono] <b>Country:</b> United States of America[AM], Canadian[CA], Canadian[CN], United States of America[USA]
4	AP8158085	Dashboard panel, black	1	<b>Year:</b> 2004[4] <b>Vehicle colour:</b> Fluo Red 2004[r.fluo] <b>Country:</b> United States of America[AM], Canadian[CA], Canadian[CN], United States of America[USA]
4	AP8158085	Dashboard panel, black	1	<b>Year:</b> 2002[2] <b>Vehicle colour:</b> Haga 2002[haga] <b>Country:</b> United States of America[AM], United States of America[USA]
4	AP8158085	Dashboard panel, black	1	<b>Vehicle colour:</b> Diablo Black 2001-2002[bl.di] <b>Country:</b> United States of America[AM], United States of America[USA]
4	AP8239070	Dashboard panel, black	1	<b>Year:</b> 2001[1], 2000[Y] <b>Vehicle colour:</b> Aprilia Black "Racing" 2000-2001[bl/re] <b>Country:</b> Austria[A], Australia[AA], Australia[AUS], Belgium[B], Switzerland[CH], Germany[D], Denmark[DK], Spain[E], A, B, CH, D, DK, E, F, I, NL, P, UK[EU], France[F], Greece[GR], Italy[I], Japan[J], Japan[JJ], Holland[NL], Portugal[P], Great Britain[UK]

<b>Group</b>	FRAME
<b>Code</b>	28.05
<b>Description</b>	Front body I
<b>Service</b>	1



Pos.	Code	Description	Qty	Variants
4	AP8249448	Dashboard panel, nik.grey	1	<b>Year:</b> 2001[1], 2000[Y] <b>Vehicle colour:</b> Nik Grey "Racing" 2000-2001[gr/ye] <b>Country:</b> Austria[A], Australia[AA], Australia[AUS], Belgium[B], Switzerland[CH], Germany[D], Denmark[DK], Spain[E], A, B, CH, D, DK, E, F, I, NL, P, UK[EU], France[F], Greece[GR], Italy[I], Japan[J], Japan[JJ], Holland[NL], Portugal[P], Great Britain[UK]
4	AP8249554	Dashboard panel, hot red	1	<b>Year:</b> 2001[1], 2000[Y] <b>Vehicle colour:</b> Hot Red "Sport" 2000-2001[h.red] <b>Country:</b> Austria[A], Australia[AA], Australia[AUS], Belgium[B], Switzerland[CH], Germany[D], Denmark[DK], Spain[E], A, B, CH, D, DK, E, F, I, NL, P, UK[EU], France[F], Greece[GR], Italy[I], Japan[J], Japan[JJ], Holland[NL], Portugal[P], Great Britain[UK]
4	AP8249711	Dashboard panel, el.blue	1	<b>Year:</b> 2001[1], 2000[Y] <b>Vehicle colour:</b> Electric Blue "Sport" 2000-2001[el.bl] <b>Country:</b> Austria[A], Australia[AA], Australia[AUS], Belgium[B], Switzerland[CH], Germany[D], Denmark[DK], Spain[E], A, B, CH, D, DK, E, F, I, NL, P, UK[EU], France[F], Greece[GR], Italy[I], Japan[J], Japan[JJ], Holland[NL], Portugal[P], Great Britain[UK]
4	AP8258091	Dashboard panel, nik.grey	1	<b>Vehicle colour:</b> Nik Grey "Racing" 2000-2001[gr/ye] <b>Country:</b> United States of America[AM], United States of America[USA]
4	AP8258213	Dashboard panel, black	1	<b>Year:</b> 2001[1], 2002[2] <b>Vehicle colour:</b> Diablo Black 2001-2002[bl.di] <b>Country:</b> Austria[A], Australia[AA], Australia[AUS], Belgium[B], Switzerland[CH], Germany[D], Denmark[DK], Spain[E], A, B, CH, D, DK, E, F, I, NL, P, UK[EU], France[F], Greece[GR], Italy[I], Japan[J], Japan[JJ], Holland[NL], Portugal[P], Great Britain[UK]
4	AP8258213	Dashboard panel, black	1	<b>Year:</b> 2003[3] <b>Vehicle colour:</b> GP1 2003[gp1] <b>Country:</b> United States of America[AM], Canadian[CA], Canadian[CN], United States of America[USA]
4	AP8258213	Dashboard panel, black	1	<b>Year:</b> 2002[2]

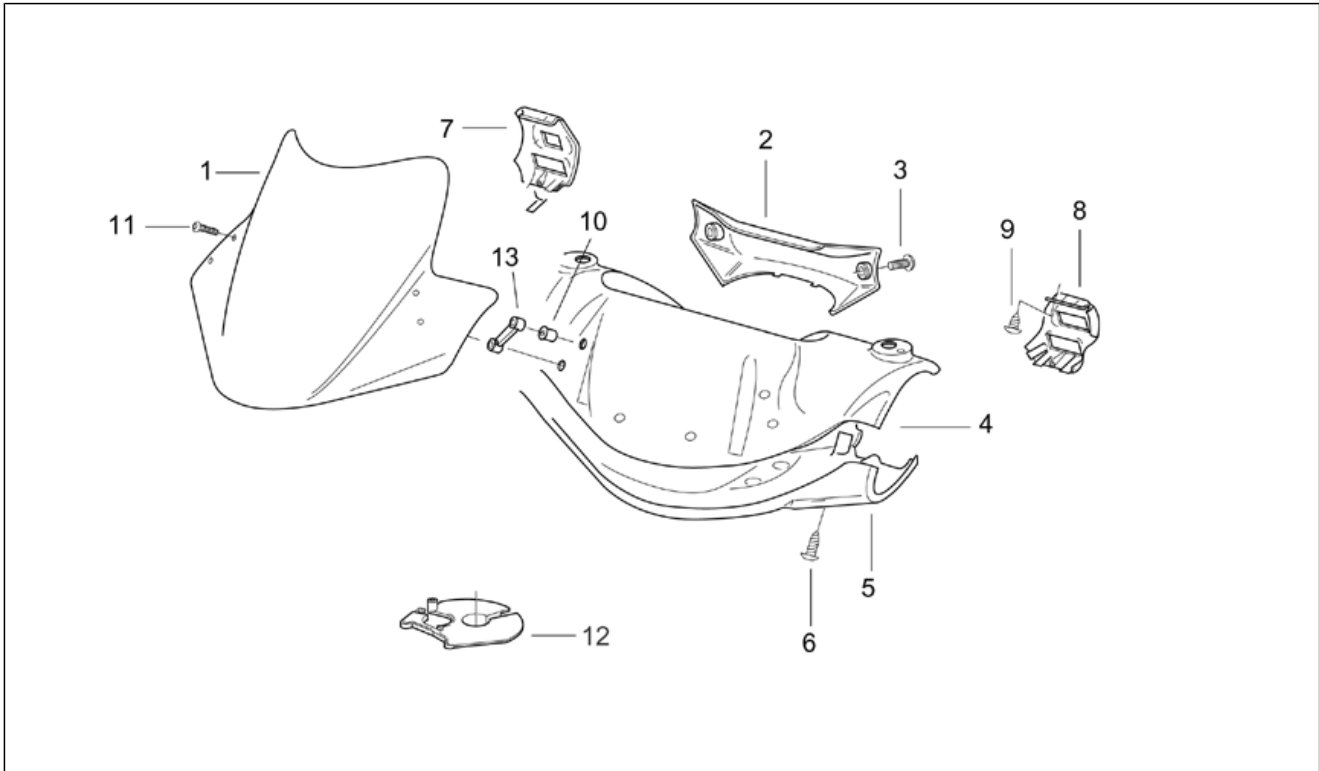
<b>Group</b>	FRAME
<b>Code</b>	28.05
<b>Description</b>	Front body I
<b>Service</b>	1



Pos.	Code	Description	Qty	Variants
				<b>Vehicle colour:</b> Haga 2002[haga], Silver Strained 2002[st.si]
4	AP8258213	Dashboard panel, black	1	<b>Year:</b> 2003[3] <b>Vehicle colour:</b> Haga 2002[haga], Fluo red 2003[r.flu], Silver Strained 2002[st.si]
4	AP8258238	Dashboard panel, yellow	1	<b>Year:</b> 2001[1] <b>Vehicle colour:</b> Lemon Yellow 2001[le.ye] <b>Country:</b> Austria[A], Australia[AA], Australia[AUS], Belgium[B], Switzerland[CH], Germany[D], Denmark[DK], Spain[E], A, B, CH, D, DK, E, F, I, NL, P, UK[EU], France[F], Greece[GR], Italy[I], Japan[J], Japan[JJ], Holland[NL], Portugal[P], Great Britain[UK]
4	AP8258336	Dashboard panel, black	1	<b>Vehicle colour:</b> Aprilia Black "Racing" 2000-2001[bl/re] <b>Country:</b> United States of America[AM], United States of America[USA]
4	AP8258336	Dashboard panel, black	1	<b>Year:</b> 2004[4] <b>Vehicle colour:</b> Poggiali White 2004[RP] <b>Country:</b> United States of America[AM], Canadian[CA], Canadian[CN], United States of America[USA]
4	AP8258336	Dashboard panel, black	1	<b>Year:</b> 2003[3] <b>Vehicle colour:</b> SBK "Racing" 2003[sbk] <b>Country:</b> United States of America[AM], Canadian[CA], Canadian[CN], United States of America[USA]
4	AP8258337	Dashboard panel, yellow	1	<b>Vehicle colour:</b> Lemon Yellow 2001[le.ye] <b>Country:</b> United States of America[AM], United States of America[USA]
4	AP8258553	Dashboard panel, grey	1	<b>Year:</b> 2002[2] <b>Vehicle colour:</b> Dust Grey 2002[du/gr] <b>Country:</b> Austria[A], Australia[AA], Australia[AUS], Belgium[B], Switzerland[CH], Germany[D], Denmark[DK], Spain[E], A, B, CH, D, DK, E, F, I, NL, P, UK[EU], France[F], Greece[GR], Italy[I], Japan[J], Japan[JJ], Holland[NL], Portugal[P], Great Britain[UK]
4	AP8258554	Dashboard panel, grey	1	<b>Vehicle colour:</b> Dust Grey 2002[du/gr] <b>Country:</b> United States of America[AM], United States of America[USA]



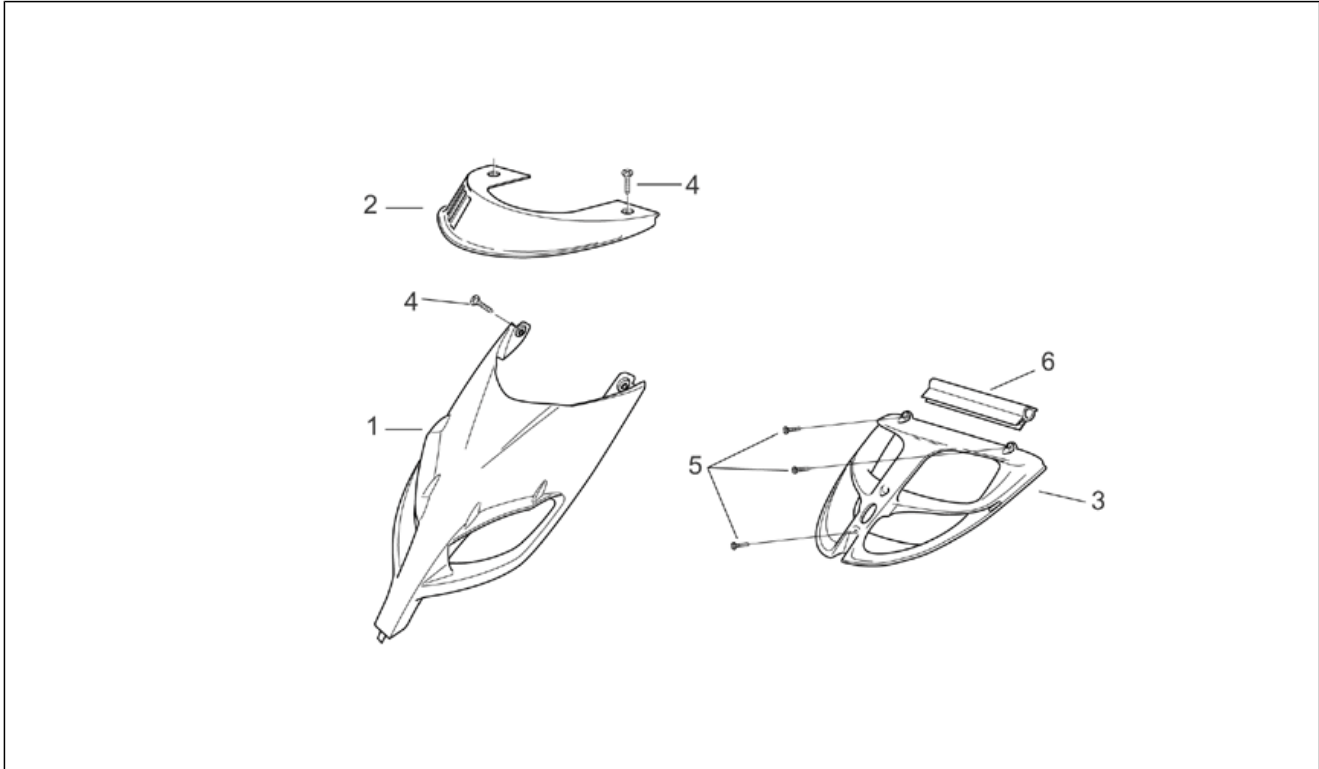
<b>Group</b>	FRAME
<b>Code</b>	28.05
<b>Description</b>	Front body I
<b>Service</b>	1



Pos.	Code	Description	Qty	Variants
4	AP8258834	Dashboard panel, red	1	<b>Year:</b> 2003[3], 2004[4] <b>Vehicle colour:</b> Limited blue "Racing" 2003[b.lim] <b>Country:</b> United States of America[AM], Canadian[CA], Canadian[CN], United States of America[USA]
4	AP8258848	Dashboard panel, red	1	<b>Year:</b> 2003[3] <b>Vehicle colour:</b> Red Tulip 2003[t.red] <b>Country:</b> United States of America[AM], Canadian[CA], Canadian[CN], United States of America[USA]
5	AP8248653	Under dash, met.black	1	<b>Country:</b> Austria[A], Australia[AA], Australia[AUS], Belgium[B], Switzerland[CH], Germany[D], Denmark[DK], Spain[E], A, B, CH, D, DK, E, F, I, NL, P, UK[EU], France[F], Greece[GR], Italy[I], Japan[J], Japan[J], Holland[NL], Portugal[P], Great Britain[UK]
5	AP8249285	Under dash, met.black	1	<b>Country:</b> United States of America[AM], Canadian[CA], Canadian[CN], United States of America[USA]
6	AP8150413	Self-tap screw 3,9x14	8	
7	AP8238748	RH pushb.black supp.	1	
8	AP8238749	LH pushb.black supp.	1	<b>Country:</b> Austria[A], Australia[AA], Australia[AUS], Belgium[B], Switzerland[CH], Germany[D], Denmark[DK], Spain[E], A, B, CH, D, DK, E, F, I, NL, P, UK[EU], France[F], Greece[GR], Italy[I], Japan[J], Japan[J], Holland[NL], Portugal[P], Great Britain[UK]
8	AP8249137	LH pushb.black supp.	1	<b>Country:</b> United States of America[AM], Canadian[CA], Canadian[CN], United States of America[USA]
9	AP8150420	Self-tapping screw *	4	
10	AP8120531	Rubber w/ insert	4	
11	AP8225369	Hex socket screw	4	
12	AP8238806	Front fair. low. lockup, black	1	
13	AP8225367	Spacer	2	

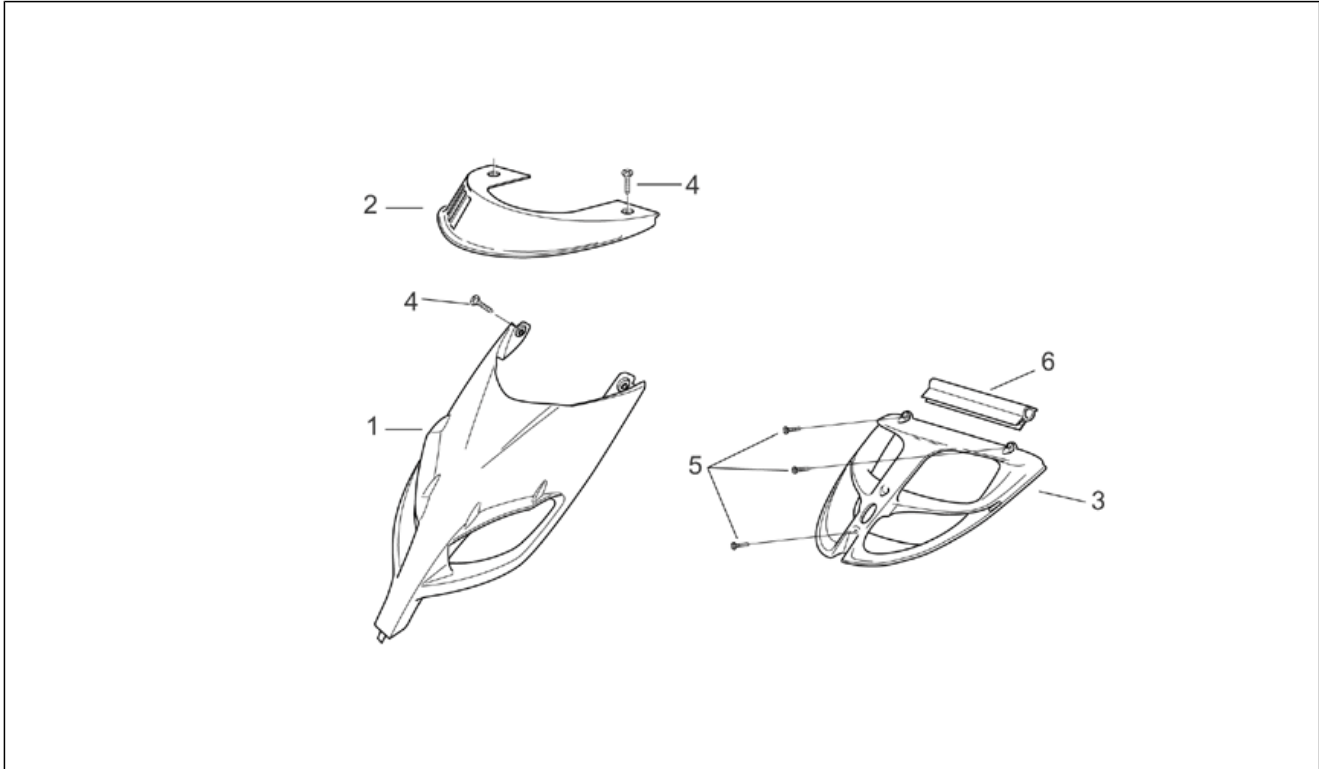


<b>Group</b>	FRAME
<b>Code</b>	28.06
<b>Description</b>	Front body II
<b>Service</b>	1



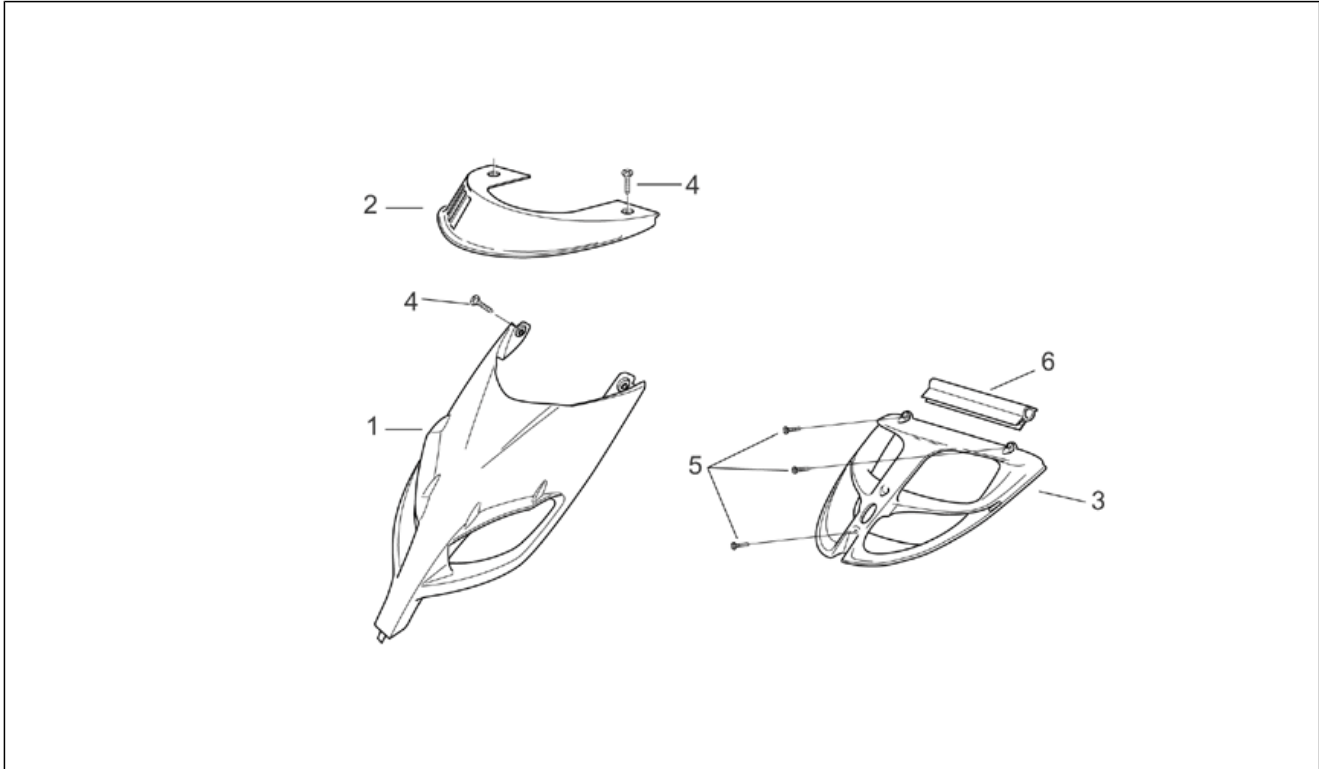
Pos.	Code	Description	Qty	Variants
1	AP8249585	Front fairing, Ap.black	1	Year:2001[1], 2000[Y] Vehicle colour:Aprilia Black "Racing" 2000-2001[bl/re]
1	AP8249768	Front fairing, nik grey	1	Year:2001[1], 2000[Y] Vehicle colour:Nik Grey "Racing" 2000-2001[gr/ye]
1	AP8249923	Front fairing, Ap.black	1	Year:2001[1], 2000[Y] Vehicle colour:Hot Red "Sport" 2000-2001[h.red]
1	AP8249923	Front fairing, Ap.black	1	Year:2001[1] Vehicle colour:Lemon Yellow 2001[le.ye]
1	AP8249923	Front fairing, Ap.black	1	Year:2001[1], 2000[Y] Vehicle colour:Electric Blue "Sport" 2000-2001[el.bl]
1	AP8258210	Front fairing, black	1	Year:2001[1] Vehicle colour:Diablo Black 2001-2002[bl.di]
1	AP8258484	Front fairing, black	1	Year:2002[2] Vehicle colour:Diablo Black 2001-2002[bl.di]
1	AP8258551	Front fairing, black	1	Year:2002[2] Vehicle colour:Dust Grey 2002[du/gr]
1	AP8258678	Front fairing, silver	1	Year:2002[2], 2003[3] Vehicle colour:Fluo red 2003[r.flu], Silver Strained 2002[st.sj]
1	AP8258731	Front fairing, black	1	Year:2002[2] Vehicle colour:Haga 2002[haga]
1	AP8258783	Front fairing	1	Year:2003[3] Vehicle colour:Tuono 2003[tuono] Country:United States of America[AM], Canadian[CA], Canadian[CN], United States of America[USA]
1	AP8258811	Front fairing, white	1	Year:2003[3] Vehicle colour:SBK "Racing" 2003[sbk] Country:United States of America[AM], Canadian[CA], Canadian[CN], United States of America[USA]
1	AP8258824	Front fairing, silver	1	Year:2003[3] Vehicle colour:GP1 2003[gp1] Country:United States of America[AM], Canadian[CA], Canadian[CN], United States of America[USA]

<b>Group</b>	FRAME
<b>Code</b>	28.06
<b>Description</b>	Front body II
<b>Service</b>	1



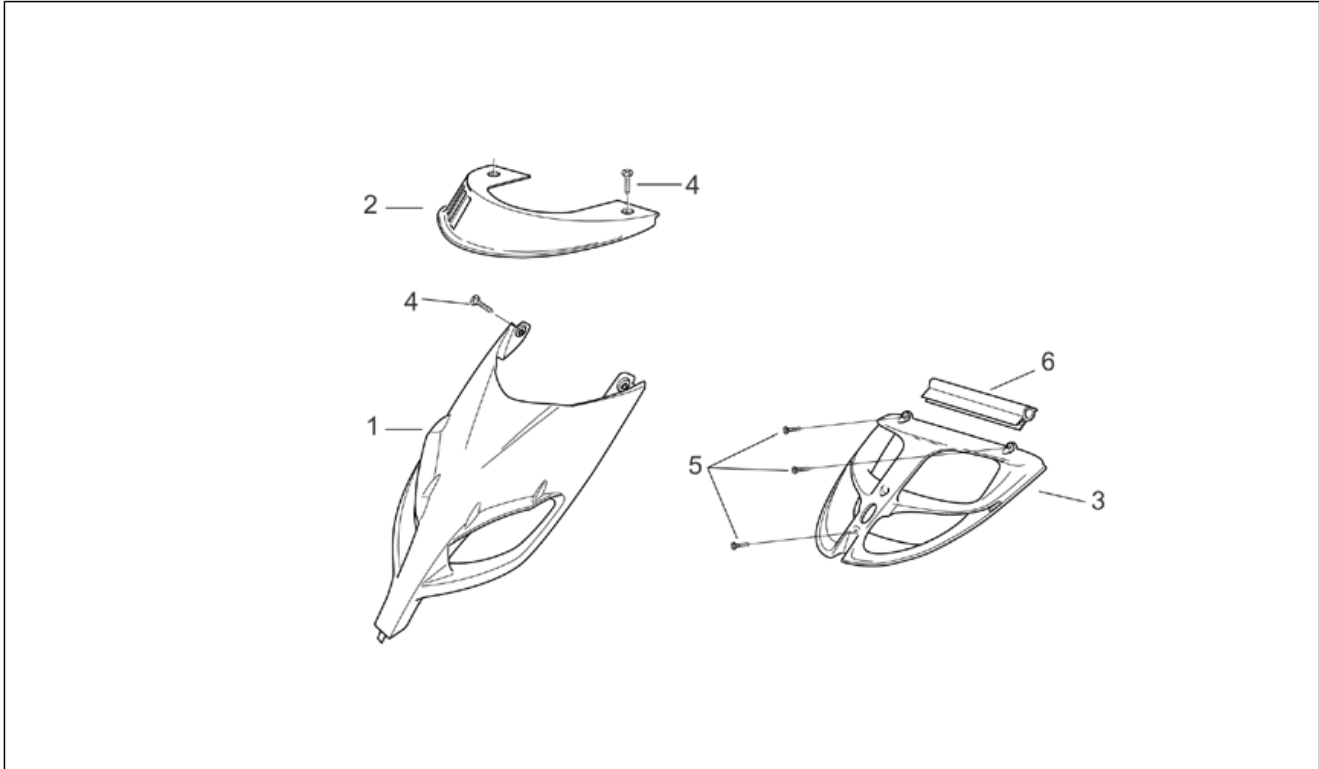
Pos.	Code	Description	Qty	Variants
1	AP8258831	Front fairing, blue	1	Year:2003[3], 2004[4] Vehicle colour:Limited blue "Racing" 2003[b.lim] Country:United States of America[AM], Canadian[CA], Canadian[CN], United States of America[USA]
1	AP8258845	Front fairing, red	1	Year:2003[3] Vehicle colour:Red Tulip 2003[t.red] Country:United States of America[AM], Canadian[CA], Canadian[CN], United States of America[USA]
1	AP8268205	Front fairing, Ap.black	1	Year:2004[4] Vehicle colour:Fluo Red 2004[r.fluo] Country:United States of America[AM], Canadian[CA], Canadian[CN], United States of America[USA]
1	AP8268246	Front fairing, Ap.black	1	Year:2004[4] Vehicle colour:Poggiali White 2004[RP] Country:United States of America[AM], Canadian[CA], Canadian[CN], United States of America[USA]
2	AP8249767	Upper shield guard, red	1	Year:2003[3], 2004[4] Vehicle colour:Limited blue "Racing" 2003[b.lim] Country:United States of America[AM], Canadian[CA], Canadian[CN], United States of America[USA]
2	AP8249767	Upper shield guard, red	1	Year:2002[2] Vehicle colour:Haga 2002[haga]
2	AP8249767	Upper shield guard, red	1	Year:2001[1], 2000[Y] Vehicle colour:Aprilia Black "Racing" 2000-2001[bl/re], Nik Grey "Racing" 2000-2001[gr/ye]
2	AP8249767	Upper shield guard, red	1	Year:2001[1] Vehicle colour:Diablo Black 2001-2002[bl.di]
2	AP8249920	Upper shield guard, black	1	Year:2001[1] Vehicle colour:Lemon Yellow 2001[le.ye]
2	AP8249920	Upper shield guard, black	1	Year:2001[1], 2000[Y] Vehicle colour:Hot Red "Sport" 2000-2001[h.red]
2	AP8249920	Upper shield guard, black	1	Year:2001[1], 2000[Y] Vehicle colour:Electric Blue "Sport" 2000-2001[el.bl]
2	AP8258547	Upper shield guard, orange	1	Year:2002[2]

<b>Group</b>	FRAME
<b>Code</b>	28.06
<b>Description</b>	Front body II
<b>Service</b>	1



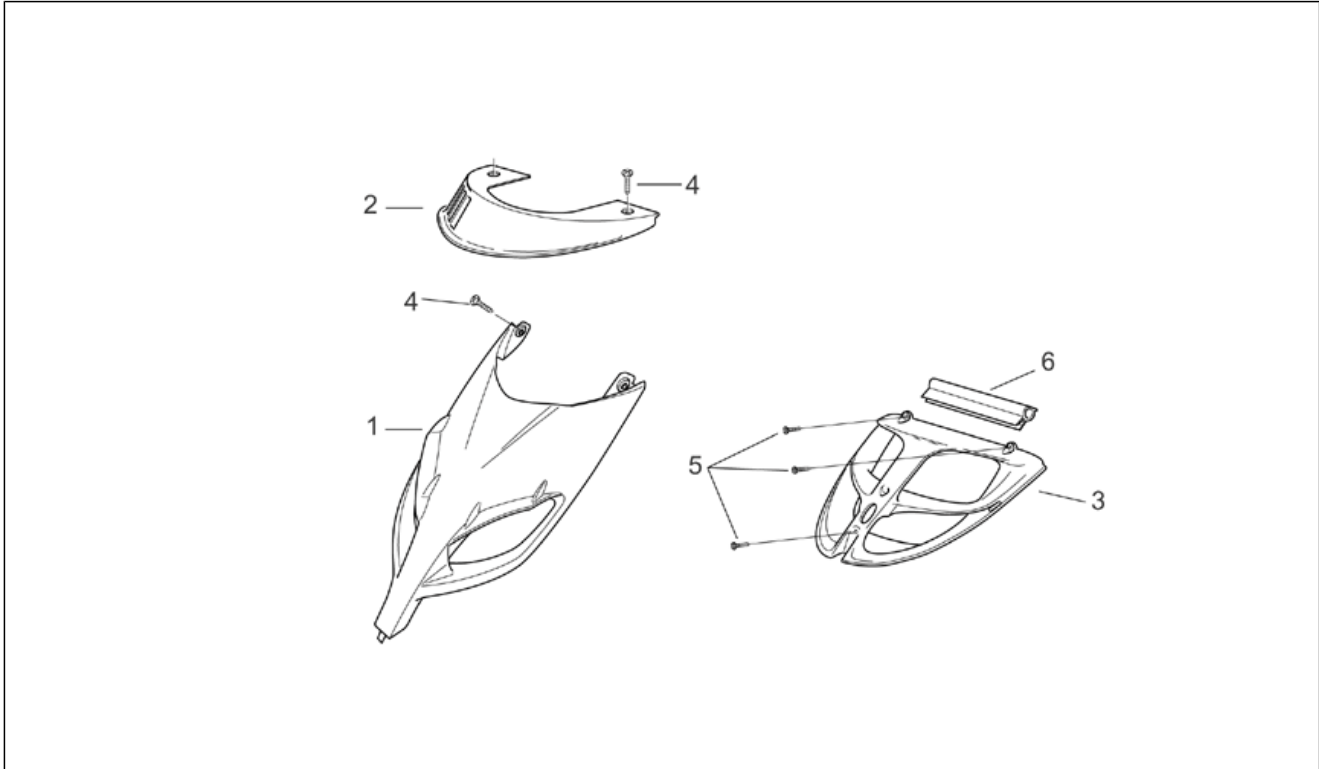
Pos.	Code	Description	Qty	Variants
				<b>Vehicle colour:</b> Diablo Black 2001-2002[bl.di]
2	AP8258558	Upper shield guard, black	1	<b>Year:</b> 2003[3] <b>Vehicle colour:</b> SBK "Racing" 2003[sbk] <b>Country:</b> United States of America[AM], Canadian[CA], Canadian[CN], United States of America[USA]
2	AP8258558	Upper shield guard, black	1	<b>Year:</b> 2003[3] <b>Vehicle colour:</b> Red Tulip 2003[t.red] <b>Country:</b> United States of America[AM], Canadian[CA], Canadian[CN], United States of America[USA]
2	AP8258558	Upper shield guard, black	1	<b>Year:</b> 2002[2], 2003[3] <b>Vehicle colour:</b> Dust Grey 2002[du/gr], Fluo red 2003[r.flu], Silver Strained 2002[st.si]
2	AP8258558	Upper shield guard, black	1	<b>Year:</b> 2003[3] <b>Vehicle colour:</b> GP1 2003[gp1] <b>Country:</b> United States of America[AM], Canadian[CA], Canadian[CN], United States of America[USA]
2	AP8258558	Upper shield guard, black	1	<b>Year:</b> 2004[4] <b>Vehicle colour:</b> Fluo Red 2004[r.fluo], Poggiali White 2004[RP] <b>Country:</b> United States of America[AM], Canadian[CA], Canadian[CN], United States of America[USA]
2	AP8258786	Upper shield guard, black	1	<b>Year:</b> 2003[3] <b>Vehicle colour:</b> Tuono 2003[tuono] <b>Country:</b> United States of America[AM], Canadian[CA], Canadian[CN], United States of America[USA]
3	AP8249769	Water cooler grille, red	1	<b>Year:</b> 2003[3], 2004[4] <b>Vehicle colour:</b> Limited blue "Racing" 2003[b.lim] <b>Country:</b> United States of America[AM], Canadian[CA], Canadian[CN], United States of America[USA]
3	AP8249769	Water cooler grille, red	1	<b>Year:</b> 2001[1], 2002[2] <b>Vehicle colour:</b> Diablo Black 2001-2002[bl.di], Haga 2002[haga]
3	AP8249769	Water cooler grille, red	1	<b>Year:</b> 2003[3] <b>Vehicle colour:</b> Fluo red 2003[r.flu]

<b>Group</b>	FRAME
<b>Code</b>	28.06
<b>Description</b>	Front body II
<b>Service</b>	1



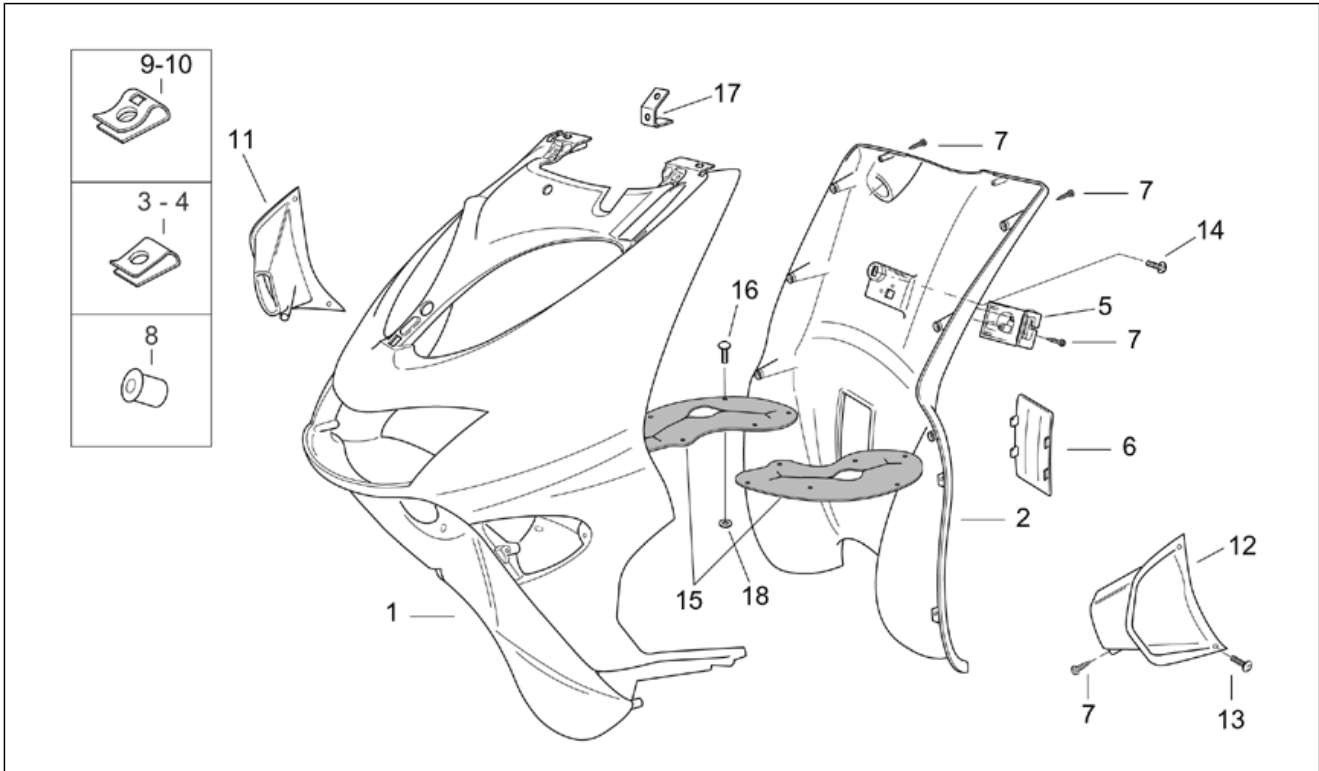
Pos.	Code	Description	Qty	Variants
3	AP8249769	Water cooler grille, red	1	Year:2001[1], 2000[Y] Vehicle colour:Aprilia Black "Racing" 2000-2001[bl/re], Nik Grey "Racing" 2000-2001[gr/ye]
3	AP8249919	Water cooler grille, silver	1	Year:2001[1], 2000[Y] Vehicle colour:Electric Blue "Sport" 2000-2001[el.bl]
3	AP8249919	Water cooler grille, silver	1	Year:2001[1] Vehicle colour:Lemon Yellow 2001[le.ye]
3	AP8249919	Water cooler grille, silver	1	Year:2001[1], 2000[Y] Vehicle colour:Hot Red "Sport" 2000-2001[h.red]
3	AP8258556	Water cooler grille, black	1	Year:2004[4] Vehicle colour:Fluo Red 2004[r.fluo], Poggiali White 2004[RP] Country:United States of America[AM], Canadian[CA], Canadian[CN], United States of America[USA]
3	AP8258556	Water cooler grille, black	1	Year:2002[2] Vehicle colour:Dust Grey 2002[du/gr], Silver Strained 2002[st.si]
3	AP8258556	Water cooler grille, black	1	Year:2003[3] Vehicle colour:SBK "Racing" 2003[sbk] Country:United States of America[AM], Canadian[CA], Canadian[CN], United States of America[USA]
3	AP8258815	Water cooler grille, gold	1	Year:2003[3] Vehicle colour:Tuono 2003[tuono] Country:United States of America[AM], Canadian[CA], Canadian[CN], United States of America[USA]
3	AP8258827	Water cooler grille	1	Year:2003[3] Vehicle colour:Red Tulip 2003[t.red] Country:United States of America[AM], Canadian[CA], Canadian[CN], United States of America[USA]
3	AP8258827	Water cooler grille	1	Year:2003[3] Vehicle colour:GP1 2003[gp1] Country:United States of America[AM], Canadian[CA], Canadian[CN], United States of America[USA]
4	AP8150426	Screw 5,5x15,9*	4	

<b>Group</b>	FRAME
<b>Code</b>	28.06
<b>Description</b>	Front body II
<b>Service</b>	1



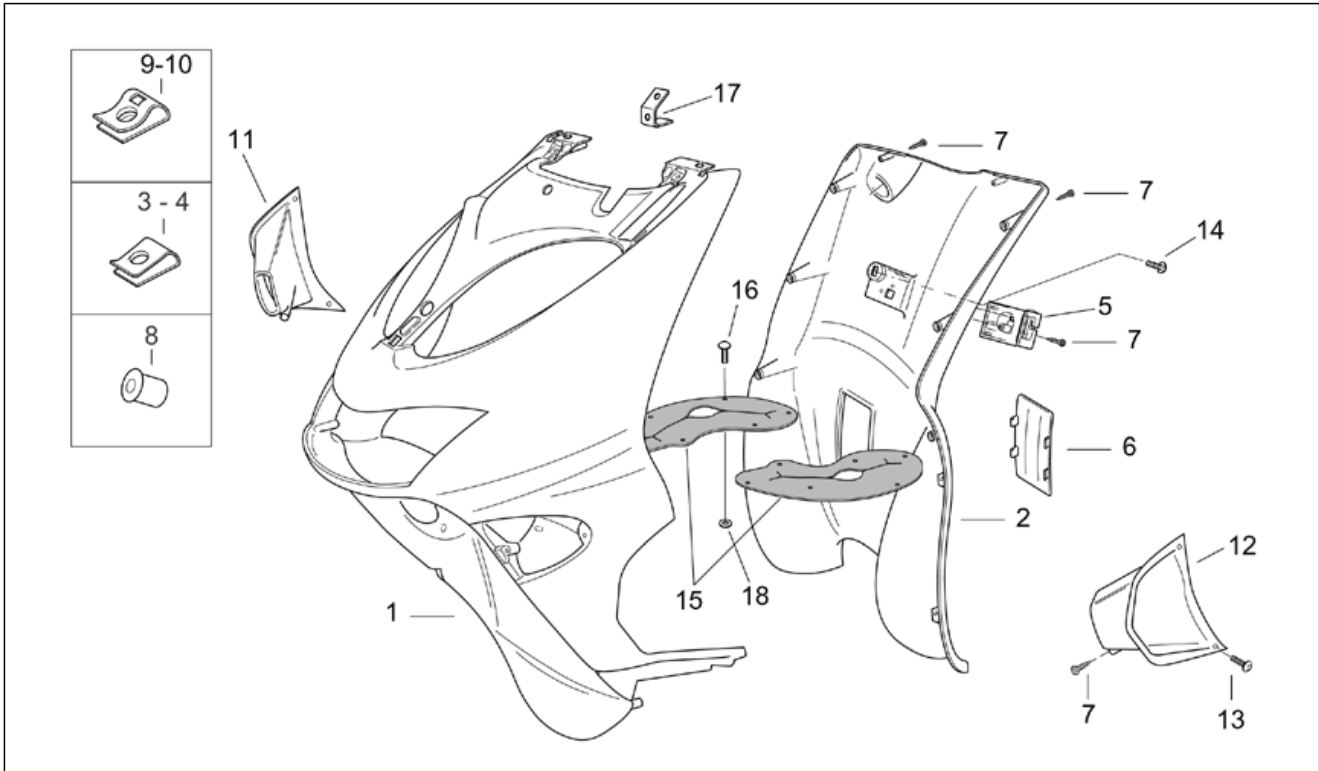
Pos.	Code	Description	Qty	Variants
5	AP8150413	Self-tap screw 3,9x14	3	
6	AP8220580	Fairing gasket	1	

<b>Group</b>	FRAME
<b>Code</b>	28.07
<b>Description</b>	Front body III
<b>Service</b>	1



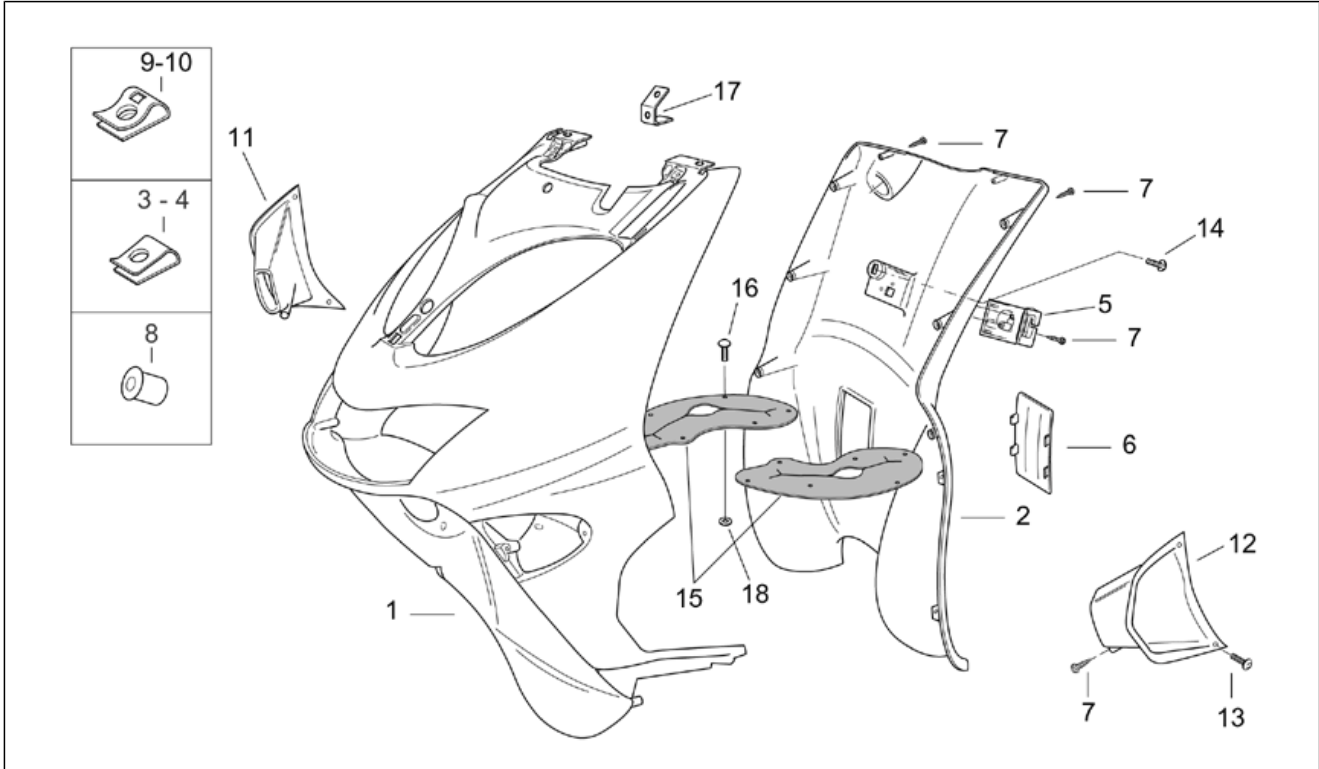
Pos.	Code	Description	Qty	Variants
1	AP8249927	Front shield, el.blue	1	Year:2001[1], 2000[Y] Vehicle colour:Electric Blue "Sport" 2000-2001[el.bl]
1	AP8258037	Front shield, Ap.black	1	Year:2001[1], 2000[Y] Vehicle colour:Aprilia Black "Racing" 2000-2001[bl/re]
1	AP8258038	Front shield, nik grey	1	Year:2001[1], 2000[Y] Vehicle colour:Nik Grey "Racing" 2000-2001[gr/ye]
1	AP8258039	Front shield, hot red+dec.	1	Year:2001[1], 2000[Y] Vehicle colour:Hot Red "Sport" 2000-2001[h.red]
1	AP8258208	Front shield, diablo black+dec	1	Year:2001[1] Vehicle colour:Diablo Black 2001-2002[bl.di]
1	AP8258235	Front shield, yellow+decal	1	Year:2001[1] Vehicle colour:Lemon Yellow 2001[le.ye]
1	AP8258482	Front shield, diablo black+dec	1	Year:2002[2] Vehicle colour:Diablo Black 2001-2002[bl.di]
1	AP8258549	Front shield, grey+decal	1	Year:2002[2] Vehicle colour:Dust Grey 2002[du/gr]
1	AP8258676	Up. front fairing, silver	1	Year:2002[2] Vehicle colour:Silver Strained 2002[st.si]
1	AP8258729	Front shield, diablo black+dec	1	Year:2002[2] Vehicle colour:Haga 2002[haga]
1	AP8258781	Front shield, black	1	Year:2003[3] Vehicle colour:Tuono 2003[tuono] Country:United States of America[AM], Canadian[CA], Canadian[CN], United States of America[USA]
1	AP8258809	Front shield, black	1	Year:2003[3] Vehicle colour:SBK "Racing" 2003[sbk] Country:United States of America[AM], Canadian[CA], Canadian[CN], United States of America[USA]
1	AP8258822	Front shield, black	1	Year:2003[3] Vehicle colour:GP1 2003[gp1] Country:United States of America[AM], Canadian[CA], Canadian[CN], United States of America[USA]
1	AP8258829	Front shield, red	1	Year:2003[3], 2004[4]

<b>Group</b>	FRAME
<b>Code</b>	28.07
<b>Description</b>	Front body III
<b>Service</b>	1



Pos.	Code	Description	Qty	Variants
				<b>Vehicle colour:</b> Limited blue "Racing" 2003[b.lim] <b>Country:</b> United States of America[AM], Canadian[CA], Canadian[CN], United States of America[USA]
1	AP8258843	Front shield, red	1	<b>Year:</b> 2003[3] <b>Vehicle colour:</b> Red Tulip 2003[t.red] <b>Country:</b> United States of America[AM], Canadian[CA], Canadian[CN], United States of America[USA]
1	AP8258933	Front shield, red	1	<b>Year:</b> 2003[3] <b>Vehicle colour:</b> Fluo red 2003[r.flu]
1	AP8268203	Front shield, red	1	<b>Year:</b> 2004[4] <b>Vehicle colour:</b> Fluo Red 2004[r.fluo] <b>Country:</b> United States of America[AM], Canadian[CA], Canadian[CN], United States of America[USA]
1	AP8268244	Front shield, A.white	1	<b>Year:</b> 2004[4] <b>Vehicle colour:</b> Poggiali White 2004[RP] <b>Country:</b> United States of America[AM], Canadian[CA], Canadian[CN], United States of America[USA]
2	AP8248656	Internal shield, met.black	1	
3	AP8201763	Screw clip D5,5*	2	
4	AP8102782	Screw clip D4,2	2	
5	AP8201534	Undersaddle hook cpl.	1	
6	AP8248657	Type appr.data cover, black	1	
7	AP8150413	Self-tap screw 3,9x14	16	
8	AP8120531	Rubber w/ insert	5	
9	AP8102375	Clip m5	12	
10	AP8102376	Clip M6	3	
11	AP8249713	RH air intake, met.black	1	
12	AP8249715	LH air intake, met.black	1	
13	AP8152298	Screw w/ flange M5x16	4	
14	AP8152302	Screw w/ flange M5x12	1	
15	AP8217034	Front fork lower closing	2	

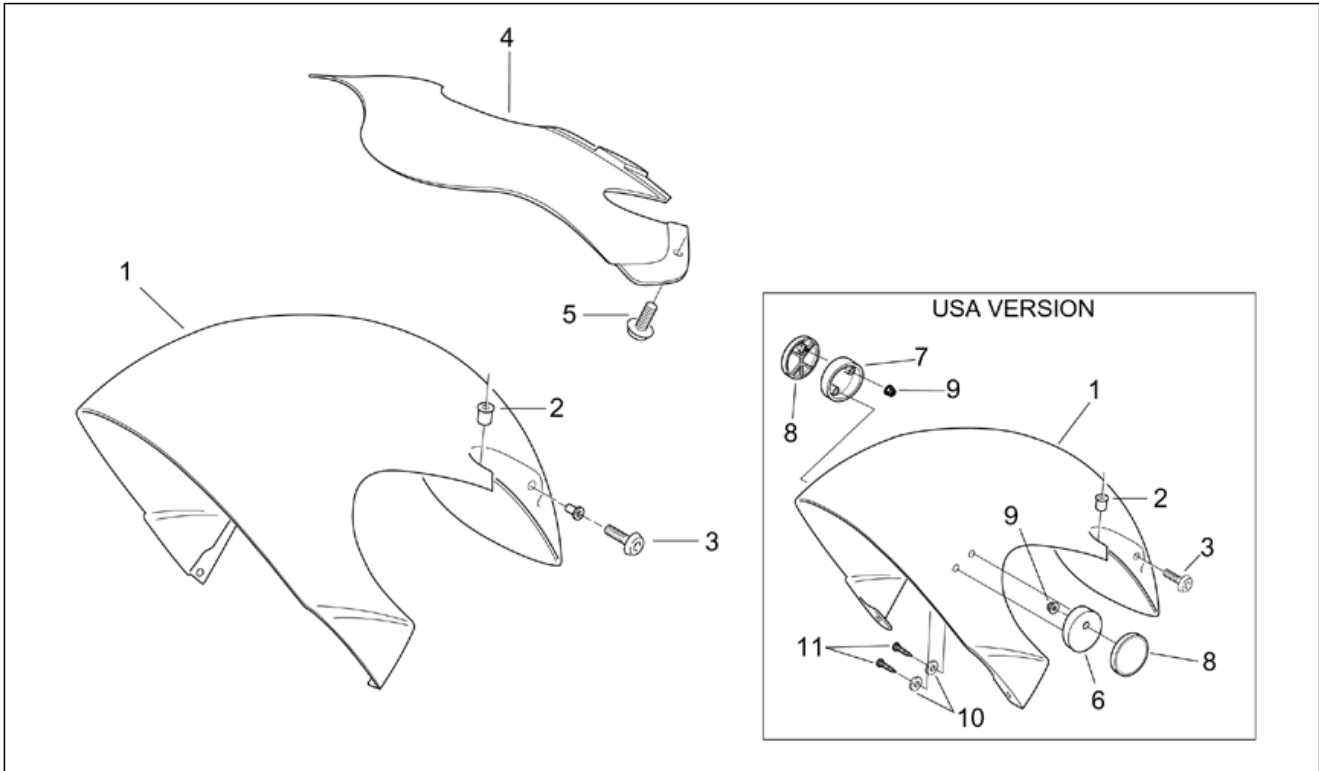
<b>Group</b>	FRAME
<b>Code</b>	28.07
<b>Description</b>	Front body III
<b>Service</b>	1



Pos.	Code	Description	Qty	Variants
16	AP8220471	Plastic rivet	12	
17	AP8234194	Water cooler grille support	1	
18	AP8150179	Washer 6,6x18*	12	

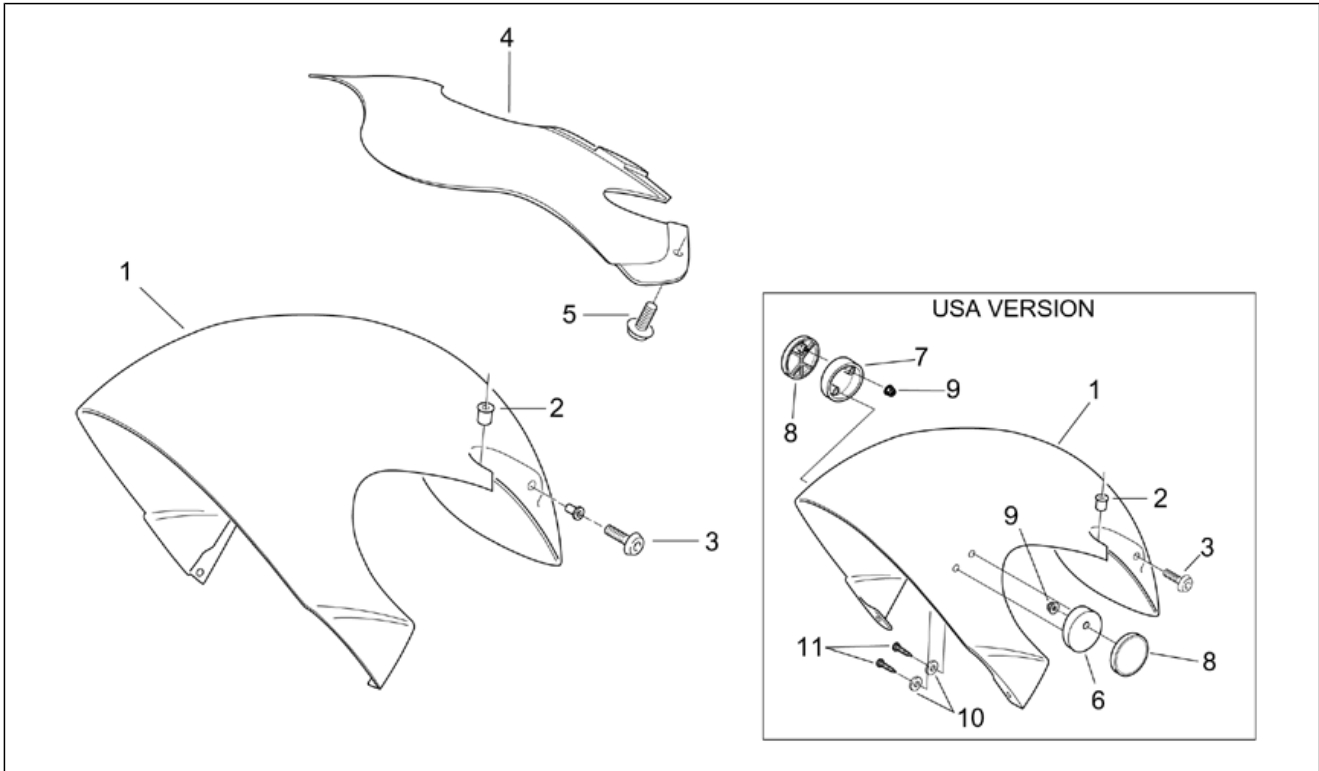


<b>Group</b>	FRAME
<b>Code</b>	28.08
<b>Description</b>	Front body IV
<b>Service</b>	1



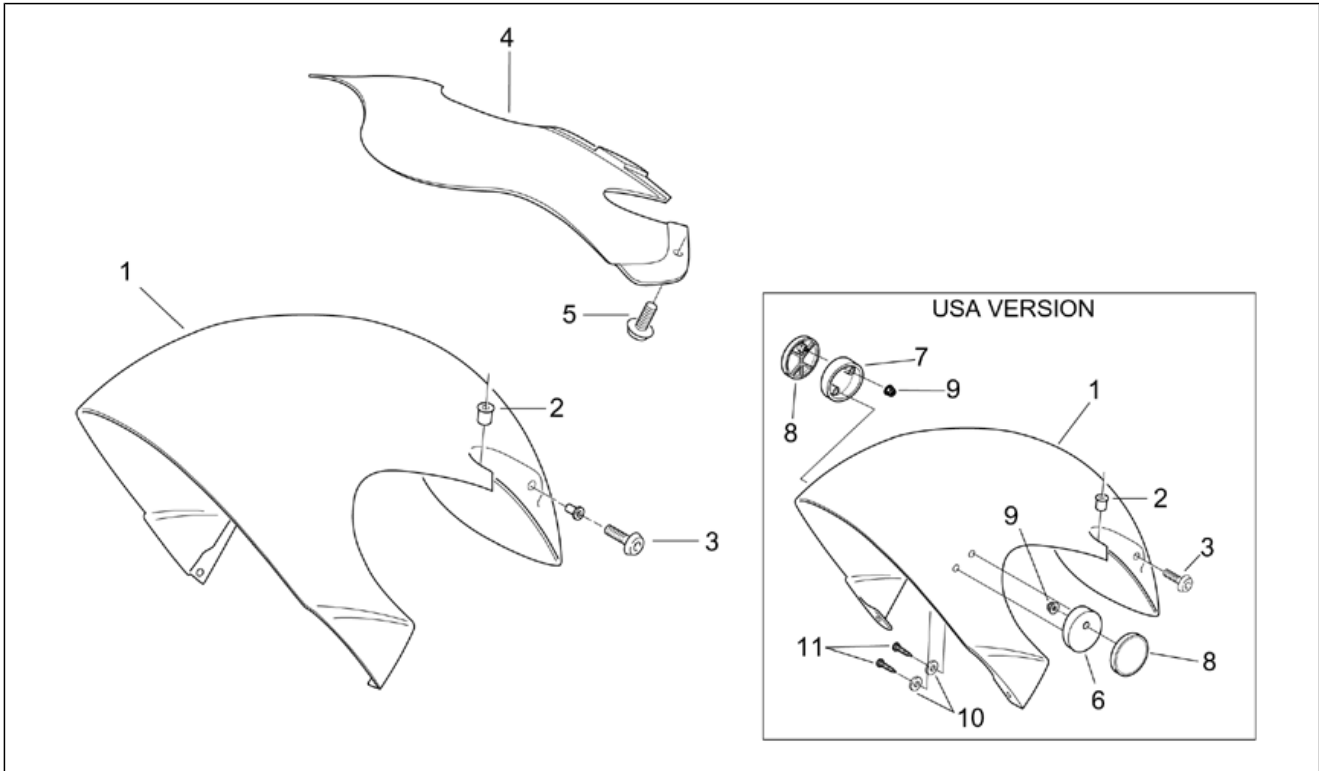
Pos.	Code	Description	Qty	Variants
1	AP8226628	Front mudguard, red varn.	1	<b>Year:</b> 2001[1], 2000[Y] <b>Vehicle colour:</b> Aprilia Black "Racing" 2000-2001[bl/re] <b>Country:</b> Austria[A], Australia[AA], Australia[AUS], Belgium[B], Switzerland[CH], Germany[D], Denmark[DK], Spain[E], A, B, CH, D, DK, E, F, I, NL, P, UK[EU], France[F], Greece[GR], Italy[I], Japan[J], Japan[JJ], Holland[NL], Portugal[P], Great Britain[UK]
1	AP8226650	Front mudguard, hot red varn.	1	<b>Year:</b> 2001[1], 2000[Y] <b>Vehicle colour:</b> Hot Red "Sport" 2000-2001[h.red] <b>Country:</b> Austria[A], Australia[AA], Australia[AUS], Belgium[B], Switzerland[CH], Germany[D], Denmark[DK], Spain[E], A, B, CH, D, DK, E, F, I, NL, P, UK[EU], France[F], Greece[GR], Italy[I], Japan[J], Japan[JJ], Holland[NL], Portugal[P], Great Britain[UK]
1	AP8226651	Front mudguard, el.blue trans.	1	<b>Year:</b> 2001[1], 2000[Y] <b>Vehicle colour:</b> Electric Blue "Sport" 2000-2001[el.bl] <b>Country:</b> Austria[A], Australia[AA], Australia[AUS], Belgium[B], Switzerland[CH], Germany[D], Denmark[DK], Spain[E], A, B, CH, D, DK, E, F, I, NL, P, UK[EU], France[F], Greece[GR], Italy[I], Japan[J], Japan[JJ], Holland[NL], Portugal[P], Great Britain[UK]
1	AP8226671	Front mudguard, yellow	1	<b>Year:</b> 2001[1], 2000[Y] <b>Vehicle colour:</b> Nik Grey "Racing" 2000-2001[gr/ye] <b>Country:</b> Austria[A], Australia[AA], Australia[AUS], Belgium[B], Switzerland[CH], Germany[D], Denmark[DK], Spain[E], A, B, CH, D, DK, E, F, I, NL, P, UK[EU], France[F], Greece[GR], Italy[I], Japan[J], Japan[JJ], Holland[NL], Portugal[P], Great Britain[UK]
1	AP8226671	Front mudguard, yellow	1	<b>Year:</b> 2001[1] <b>Vehicle colour:</b> Lemon Yellow 2001[le.ye] <b>Country:</b> Austria[A], Australia[AA], Australia[AUS], Belgium[B], Switzerland[CH], Germany[D], Denmark[DK], Spain[E], A, B, CH, D, DK, E, F, I, NL, P, UK[EU], France[F], Greece[GR], Italy[I], Japan[J], Japan[JJ], Holland[NL], Portugal[P], Great Britain[UK]
1	AP8226672	Front mudguard, red varn.	1	<b>Year:</b> 2001[1]

<b>Group</b>	FRAME
<b>Code</b>	28.08
<b>Description</b>	Front body IV
<b>Service</b>	1



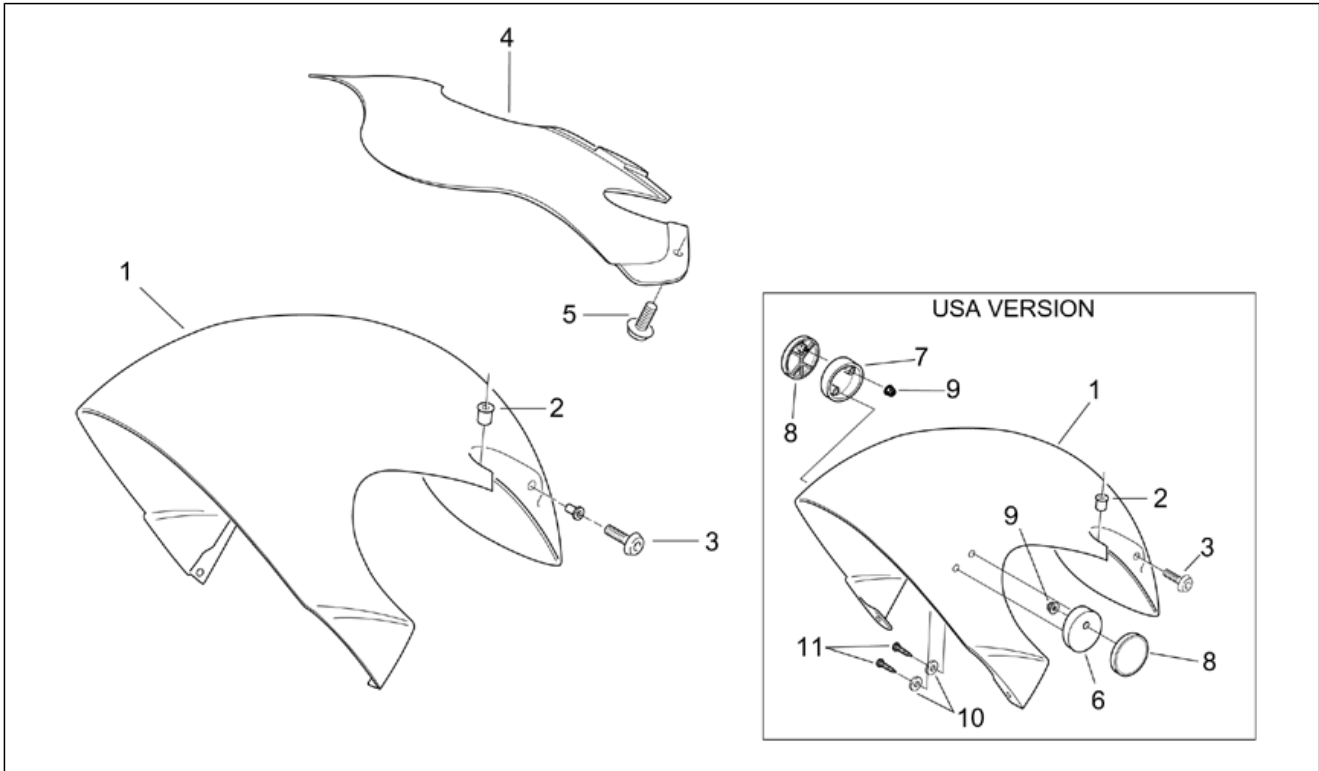
Pos.	Code	Description	Qty	Variants
				<b>Vehicle colour:</b> Diablo Black 2001-2002[bl.di] <b>Country:</b> Austria[A], Australia[AA], Australia[AUS], Belgium[B], Switzerland[CH], Germany[D], Denmark[DK], Spain[E], A, B, CH, D, DK, E, F, I, NL, P, UK[EU], France[F], Greece[GR], Italy[I], Japan[J], Japan[J], Holland[NL], Portugal[P], Great Britain[UK]
1	AP8226672	Front mudguard, red varn.	1	<b>Year:</b> 2002[2] <b>Vehicle colour:</b> Haga 2002[haga] <b>Country:</b> Austria[A], Australia[AA], Australia[AUS], Belgium[B], Switzerland[CH], Germany[D], Denmark[DK], Spain[E], A, B, CH, D, DK, E, F, I, NL, P, UK[EU], France[F], Greece[GR], Italy[I], Japan[J], Japan[J], Holland[NL], Portugal[P], Great Britain[UK]
1	AP8226678	Front mudguard, lemon yellow	1	<b>Year:</b> 2001[1], 2000[Y] <b>Vehicle colour:</b> Nik Grey "Racing" 2000-2001[gr/ye] <b>Country:</b> United States of America[AM], United States of America[USA]
1	AP8226678	Front mudguard, lemon yellow	1	<b>Year:</b> 2001[1] <b>Vehicle colour:</b> Lemon Yellow 2001[le.ye] <b>Country:</b> United States of America[AM], United States of America[USA]
1	AP8226689	Front mudguard, f. red	1	<b>Year:</b> 2001[1] <b>Vehicle colour:</b> Diablo Black 2001-2002[bl.di] <b>Country:</b> United States of America[AM], United States of America[USA]
1	AP8226689	Front mudguard, f. red	1	<b>Year:</b> 2002[2] <b>Vehicle colour:</b> Haga 2002[haga] <b>Country:</b> United States of America[AM], United States of America[USA]
1	AP8226689	Front mudguard, f. red	1	<b>Year:</b> 2001[1], 2000[Y] <b>Vehicle colour:</b> Aprilia Black "Racing" 2000-2001[bl/re] <b>Country:</b> United States of America[AM], United States of America[USA]
1	AP8226700	Front mudguard, hot red	1	<b>Year:</b> 2001[1], 2000[Y] <b>Vehicle colour:</b> Hot Red "Sport" 2000-2001[h.red]

<b>Group</b>	FRAME
<b>Code</b>	28.08
<b>Description</b>	Front body IV
<b>Service</b>	1



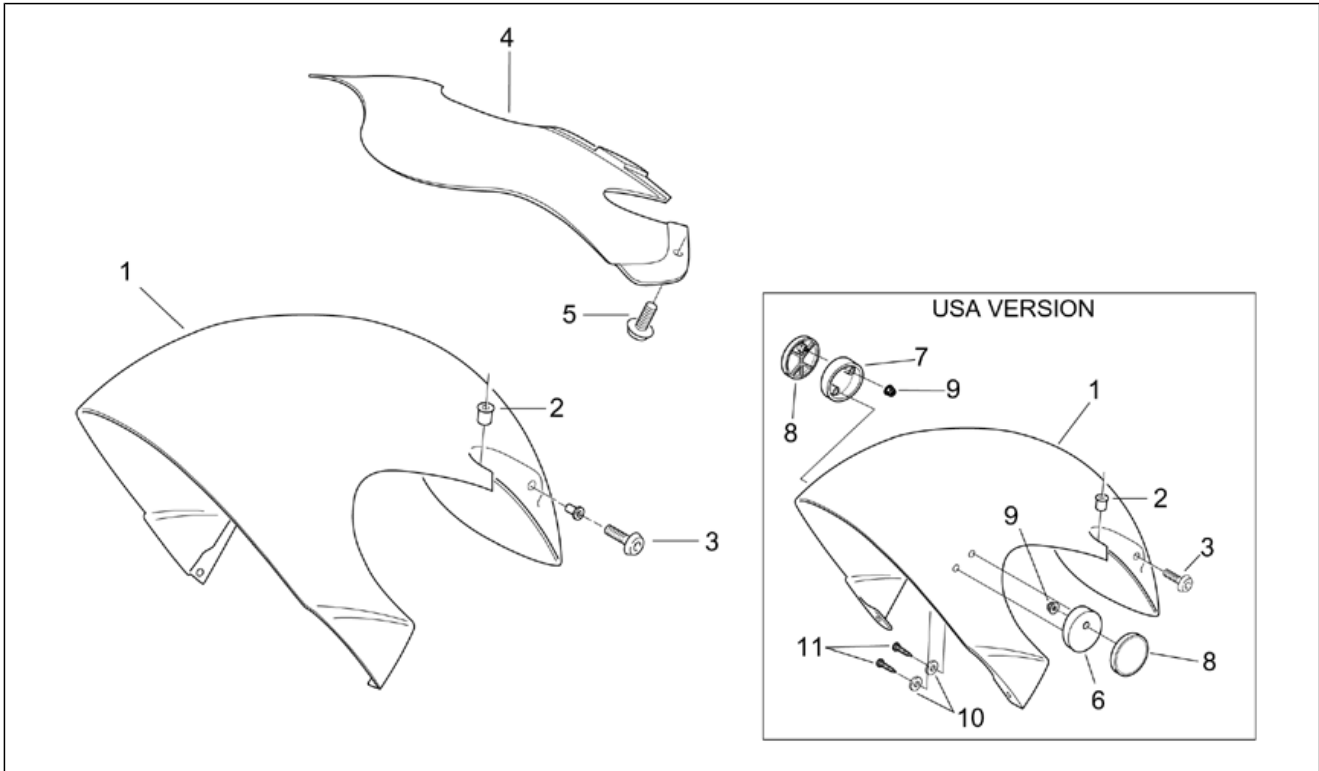
Pos.	Code	Description	Qty	Variants
				<b>Country:</b> United States of America[AM], United States of America[USA]
1	AP8226701	Front mudguard, el.blue	1	<b>Year:</b> 2001[1], 2000[Y] <b>Vehicle colour:</b> Electric Blue "Sport" 2000-2001[el.bl] <b>Country:</b> United States of America[AM], United States of America[USA]
1	AP8226727	Front mudguard, black	1	<b>Year:</b> 2002[2] <b>Vehicle colour:</b> Diablo Black 2001-2002[bl.di] <b>Country:</b> Austria[A], Australia[AA], Australia[AUS], Belgium[B], Switzerland[CH], Germany[D], Denmark[DK], Spain[E], A, B, CH, D, DK, E, F, I, NL, P, UK[EU], France[F], Greece[GR], Italy[I], Japan[J], Japan[JJ], Holland[NL], Portugal[P], Great Britain[UK]
1	AP8226728	Front mudguard, black	1	<b>Year:</b> 2002[2] <b>Vehicle colour:</b> Diablo Black 2001-2002[bl.di] <b>Country:</b> United States of America[AM], United States of America[USA]
1	AP8226728	Front mudguard, black	1	<b>Year:</b> 2003[3] <b>Vehicle colour:</b> GP1 2003[gp1] <b>Country:</b> United States of America[AM], Canadian[CA], Canadian[CN], United States of America[USA]
1	AP8226728	Front mudguard, black	1	<b>Year:</b> 2003[3] <b>Vehicle colour:</b> SBK "Racing" 2003[sbk] <b>Country:</b> United States of America[AM], Canadian[CA], Canadian[CN], United States of America[USA]
1	AP8226733	Front mudguard, grey	1	<b>Year:</b> 2002[2] <b>Vehicle colour:</b> Dust Grey 2002[du/gr] <b>Country:</b> Austria[A], Australia[AA], Australia[AUS], Belgium[B], Switzerland[CH], Germany[D], Denmark[DK], Spain[E], A, B, CH, D, DK, E, F, I, NL, P, UK[EU], France[F], Greece[GR], Italy[I], Japan[J], Japan[JJ], Holland[NL], Portugal[P], Great Britain[UK]
1	AP8226734	Front mudguard, grey	1	<b>Year:</b> 2002[2] <b>Vehicle colour:</b> Dust Grey 2002[du/gr]

<b>Group</b>	FRAME
<b>Code</b>	28.08
<b>Description</b>	Front body IV
<b>Service</b>	1



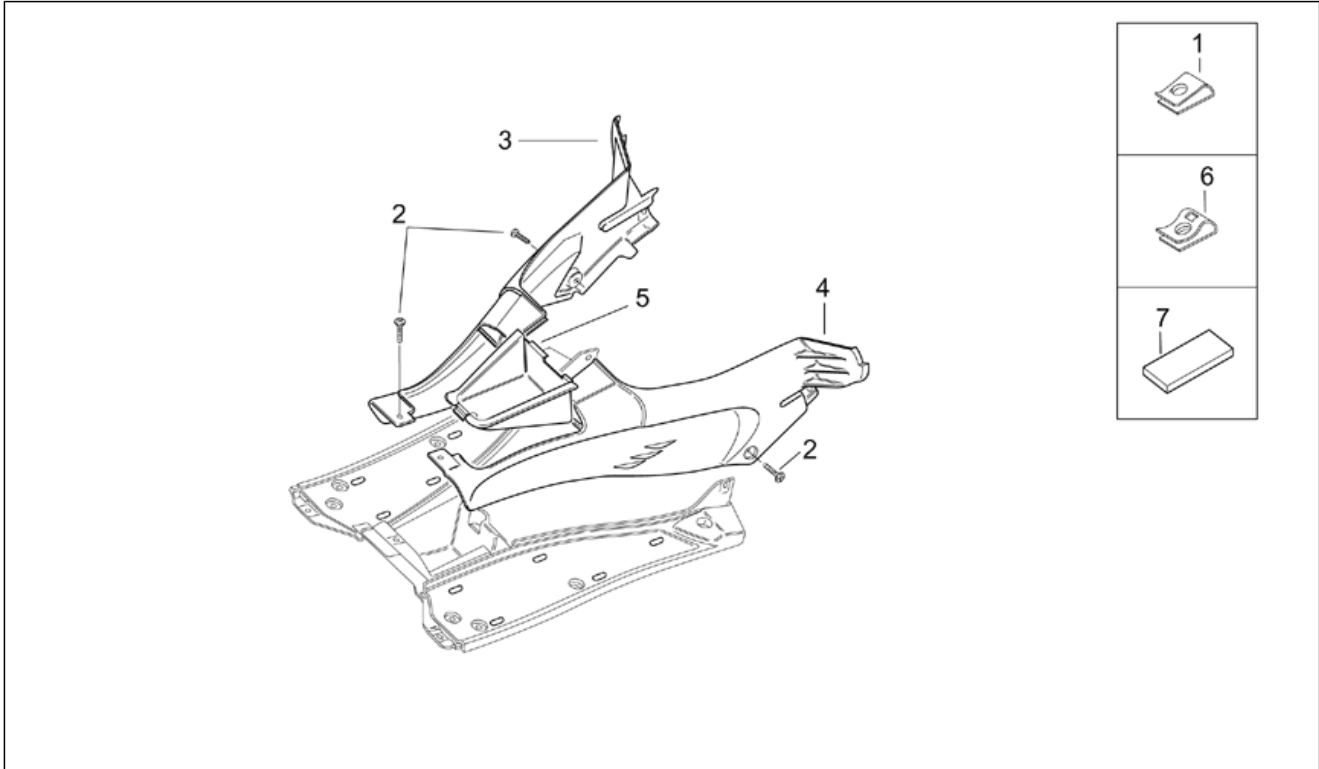
Pos.	Code	Description	Qty	Variants
				<b>Country:</b> United States of America[AM], United States of America[USA]
1	AP8226748	Front mudguard, black	1	<b>Year:</b> 2002[2], 2003[3] <b>Vehicle colour:</b> Fluo red 2003[r.flu], Silver Strained 2002[st.si]
1	AP8226760	Front mudguard, black	1	<b>Year:</b> 2003[3] <b>Vehicle colour:</b> Tuono 2003[tuono] <b>Country:</b> United States of America[AM], Canadian[CA], Canadian[CN], United States of America[USA]
1	AP8226768	Front mudguard, blue	1	<b>Year:</b> 2003[3], 2004[4] <b>Vehicle colour:</b> Limited blue "Racing" 2003[b.lim] <b>Country:</b> United States of America[AM], Canadian[CA], Canadian[CN], United States of America[USA]
1	AP8226771	Front mudguard, red	1	<b>Year:</b> 2003[3] <b>Vehicle colour:</b> Red Tulip 2003[t.red] <b>Country:</b> United States of America[AM], Canadian[CA], Canadian[CN], United States of America[USA]
1	AP8226827	Front mudguard, black	1	<b>Year:</b> 2004[4] <b>Vehicle colour:</b> Fluo Red 2004[r.fluo] <b>Country:</b> Austria[A], Australia[AA], Australia[AUS], Belgium[B], Switzerland[CH], Germany[D], Denmark[DK], Spain[E], A, B, CH, D, DK, E, F, I, NL, P, UK[EU], France[F], Greece[GR], Italy[I], Japan[J], Japan[JJ], Holland[NL], Portugal[P], Great Britain[UK]
1	AP8226828	Front mudguard, black	1	<b>Year:</b> 2004[4] <b>Vehicle colour:</b> Fluo Red 2004[r.fluo] <b>Country:</b> United States of America[AM], Canadian[CA], Canadian[CN], United States of America[USA]
1	AP8226835	Front mudguard, A.white	1	<b>Year:</b> 2004[4] <b>Vehicle colour:</b> Poggiali White 2004[RP] <b>Country:</b> Austria[A], Australia[AA], Australia[AUS], Belgium[B], Switzerland[CH], Germany[D], Denmark[DK], Spain[E], A, B, CH, D, DK, E, F, I, NL, P, UK[EU], France[F], Greece[GR], Italy[I], Japan[J], Japan[JJ], Holland[NL], Portugal[P], Great Britain[UK]

<b>Group</b>	FRAME
<b>Code</b>	28.08
<b>Description</b>	Front body IV
<b>Service</b>	1



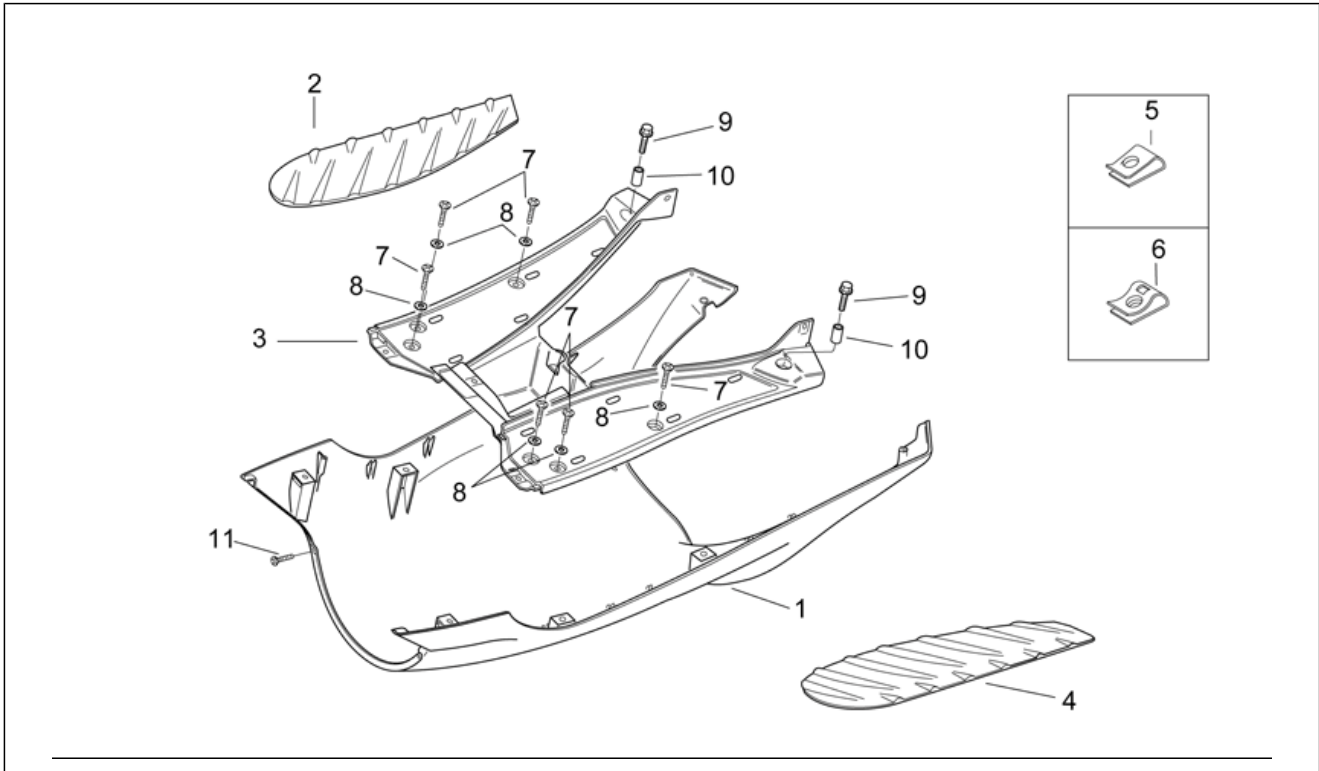
Pos.	Code	Description	Qty	Variants
1	AP8226836	Front mudguard, A.white	1	<b>Year:</b> 2004[4] <b>Vehicle colour:</b> Poggiali White 2004[RP] <b>Country:</b> United States of America[AM], Canadian[CA], Canadian[CN], United States of America[USA]
2	AP8120531	Rubber w/ insert	2	
3	AP8152339	Screw w/ flange M5x9	2	
4	AP8238512	Lower shield cover, black	1	
5	AP8152246	Screw w/ flange M6x16	3	
6	AP8249105	LH Front reflector support	1	<b>Country:</b> United States of America[AM], Canadian[CA], Canadian[CN], United States of America[USA]
7	AP8249104	RH Front reflector support	1	<b>Country:</b> United States of America[AM], Canadian[CA], Canadian[CN], United States of America[USA]
8	AP8224163	Reflector, amber	2	<b>Country:</b> United States of America[AM], Canadian[CA], Canadian[CN], United States of America[USA]
9	AP8152306	Self-locking nut m5	2	<b>Country:</b> United States of America[AM], Canadian[CA], Canadian[CN], United States of America[USA]
10	AP8150011	Washer 4,3x12x1	4	<b>Country:</b> United States of America[AM], Canadian[CA], Canadian[CN], United States of America[USA]
11	AP8150444	Self-tapping screw	4	<b>Country:</b> United States of America[AM], Canadian[CA], Canadian[CN], United States of America[USA]

<b>Group</b>	FRAME
<b>Code</b>	28.09
<b>Description</b>	Central body I
<b>Service</b>	1



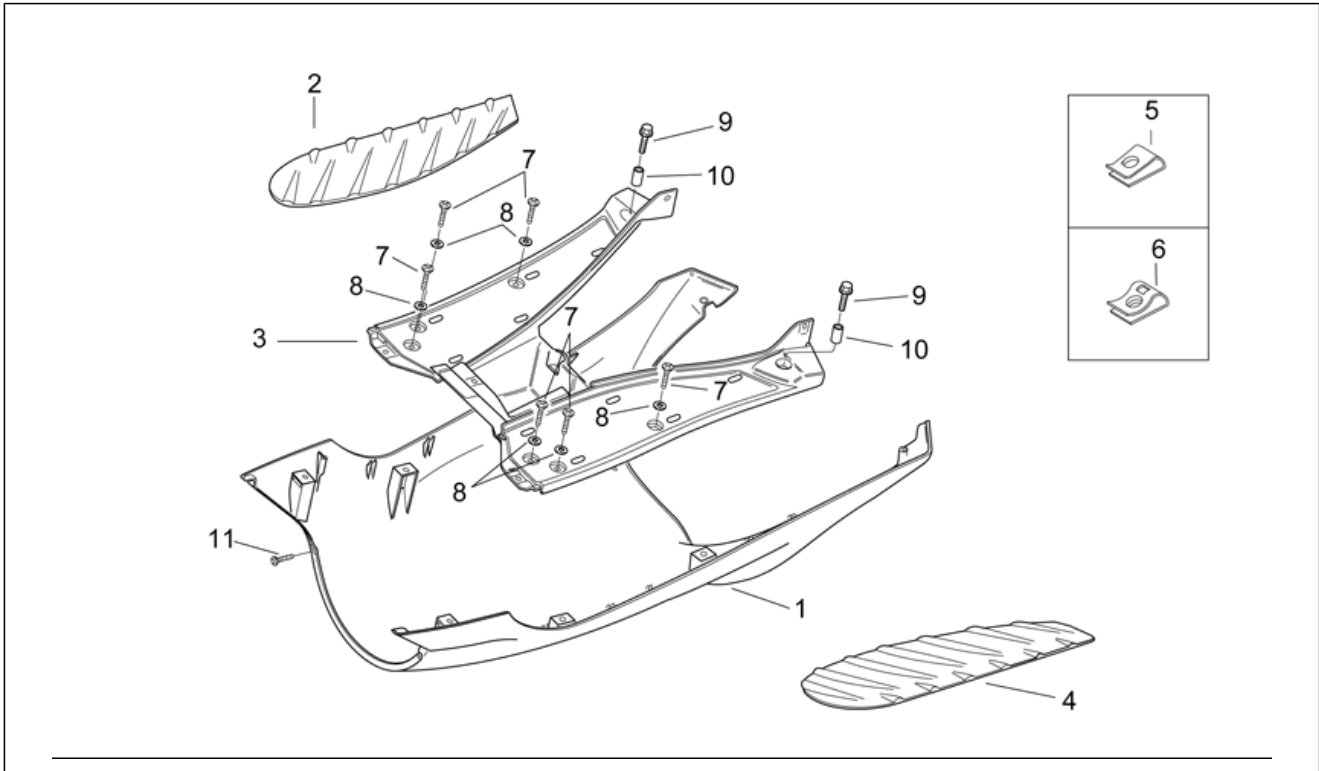
Pos.	Code	Description	Qty	Variants
1	AP8102376	Clip M6	3	
2	AP8150425	Screw 5,5x22*	3	
3	AP8249764	RH Tunnel, black	1	
3	AP8258559	RH grey tunnel	1	
3	AP8258787	RH Tunnel, gold	1	
4	AP8258169	LH Tunnel, black	1	
4	AP8258560	LH grey tunnel	1	
4	AP8258788	LH Tunnel, gold	1	
5	AP8238507	Tool kit box, grey	1	<b>Technical Specifications:</b> Engine with carburettor[carb]
5	AP8258998	Tool kit box	1	<b>Technical Specifications:</b> "DITECH" engine with direct fuel injection[ie]
6	AP8201763	Screw clip D5,5*	6	
7	AP8117041	Adhesive sponge 6x30	1	

<b>Group</b>	FRAME
<b>Code</b>	28.10
<b>Description</b>	Central body II
<b>Service</b>	1



Pos.	Code	Description	Qty	Variants
1	AP8249348	Underpanel, yellow	1	Year:2001[1], 2000[Y] Vehicle colour:Nik Grey "Racing" 2000-2001[gr/ye] Technical Specifications:Engine with carburettor[carb]
1	AP8249586	Underpanel, red	1	Year:2001[1], 2000[Y] Vehicle colour:Aprilia Black "Racing" 2000-2001[bl/re] Technical Specifications:Engine with carburettor[carb]
1	AP8249893	Underpanel, yellow	1	Year:2001[1], 2000[Y] Vehicle colour:Nik Grey "Racing" 2000-2001[gr/ye] Technical Specifications:"DITECH" engine with direct fuel injection[ie]
1	AP8249894	Underpanel, red	1	Year:2001[1], 2000[Y] Vehicle colour:Aprilia Black "Racing" 2000-2001[bl/re] Technical Specifications:"DITECH" engine with direct fuel injection[ie]
1	AP8249924	Underpanel, black	1	Year:2001[1], 2000[Y] Vehicle colour:Hot Red "Sport" 2000-2001[h.red] Technical Specifications:Engine with carburettor[carb]
1	AP8249925	Underpanel, black	1	Year:2001[1], 2000[Y] Vehicle colour:Hot Red "Sport" 2000-2001[h.red] Technical Specifications:"DITECH" engine with direct fuel injection[ie]
1	AP8249929	Underpanel, black	1	Year:2001[1], 2000[Y] Vehicle colour:Electric Blue "Sport" 2000-2001[el.bl] Technical Specifications:Engine with carburettor[carb]
1	AP8249930	Underpanel, black	1	Year:2001[1], 2000[Y] Vehicle colour:Electric Blue "Sport" 2000-2001[el.bl] Technical Specifications:"DITECH" engine with direct fuel injection[ie]
1	AP8258211	Underpanel, red	1	Year:2001[1] Vehicle colour:Diablo Black 2001-2002[bl.di] Technical Specifications:"DITECH" engine with direct fuel injection[ie]
1	AP8258233	Underpanel, black	1	Year:2001[1] Vehicle colour:Lemon Yellow 2001[le.ye]

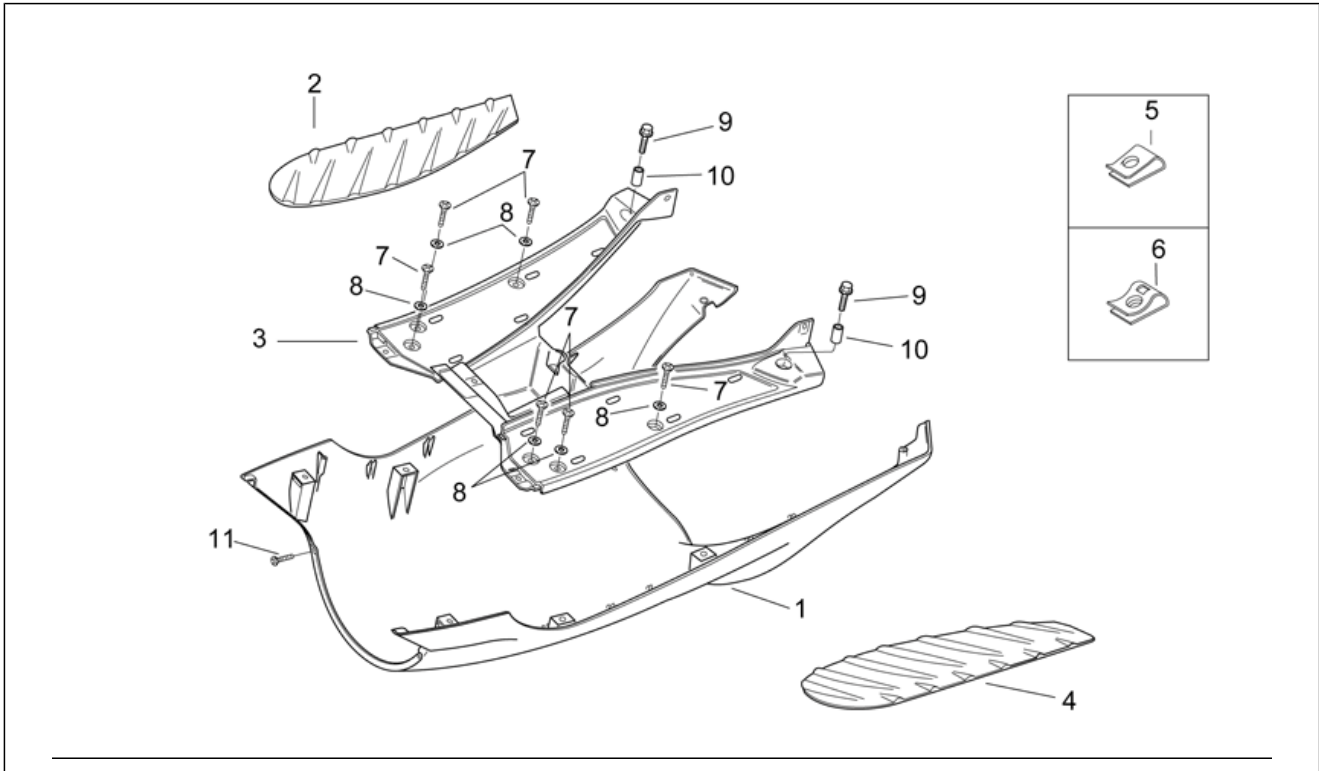
<b>Group</b>	FRAME
<b>Code</b>	28.10
<b>Description</b>	Central body II
<b>Service</b>	1



Pos.	Code	Description	Qty	Variants
				<b>Technical Specifications:</b> "DITECH" engine with direct fuel injection[ie]
1	AP8258234	Underpanel, black	1	<b>Year:</b> 2001[1] <b>Vehicle colour:</b> Lemon Yellow 2001[le.ye] <b>Technical Specifications:</b> Engine with carburettor[carb]
1	AP8258485	Underpanel, red	1	<b>Year:</b> 2002[2] <b>Vehicle colour:</b> Diablo Black 2001-2002[bl.di] <b>Technical Specifications:</b> "DITECH" engine with direct fuel injection[ie]
1	AP8258552	Underpanel, black	1	<b>Year:</b> 2002[2] <b>Vehicle colour:</b> Dust Grey 2002[du.gr] <b>Technical Specifications:</b> "DITECH" engine with direct fuel injection[ie]
1	AP8258679	Underpanel, black	1	<b>Year:</b> 2002[2], 2003[3] <b>Vehicle colour:</b> Fluo red 2003[r.flu], Silver Strained 2002[st.si]
1	AP8258732	Underpanel, black	1	<b>Year:</b> 2002[2] <b>Vehicle colour:</b> Haga 2002[haga]
1	AP8258784	Underpanel	1	<b>Year:</b> 2003[3] <b>Vehicle colour:</b> Tuono 2003[tuono] <b>Country:</b> United States of America[AM], Canadian[CA], Canadian[CN], United States of America[USA]
1	AP8258812	Underpanel	1	<b>Year:</b> 2003[3] <b>Vehicle colour:</b> SBK "Racing" 2003[sbk] <b>Country:</b> United States of America[AM], Canadian[CA], Canadian[CN], United States of America[USA]
1	AP8258825	Underpanel	1	<b>Year:</b> 2003[3] <b>Vehicle colour:</b> GP1 2003[gp1] <b>Country:</b> United States of America[AM], Canadian[CA], Canadian[CN], United States of America[USA]
1	AP8258832	Underpanel	1	<b>Year:</b> 2003[3], 2004[4] <b>Vehicle colour:</b> Limited blue "Racing" 2003[b.lim] <b>Country:</b> United States of America[AM], Canadian[CA], Canadian[CN], United States of America[USA]

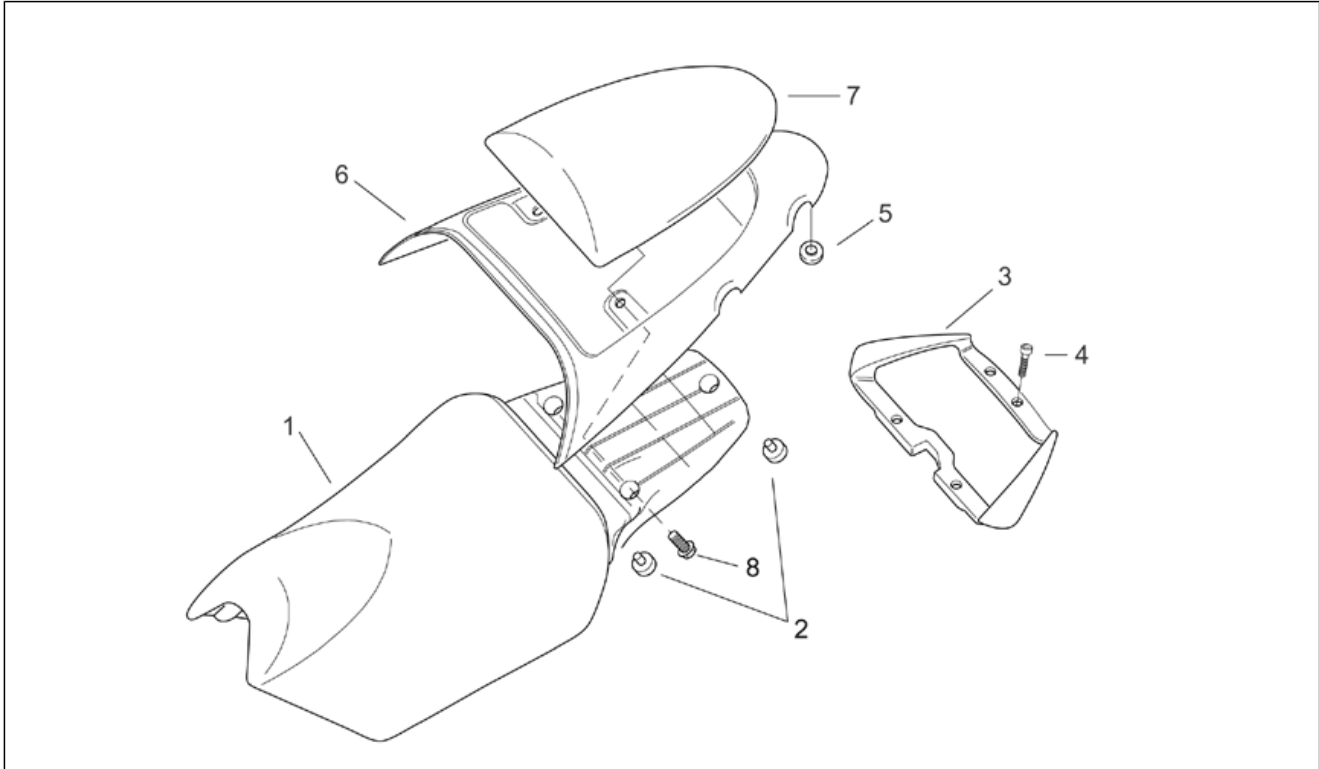


<b>Group</b>	FRAME
<b>Code</b>	28.10
<b>Description</b>	Central body II
<b>Service</b>	1



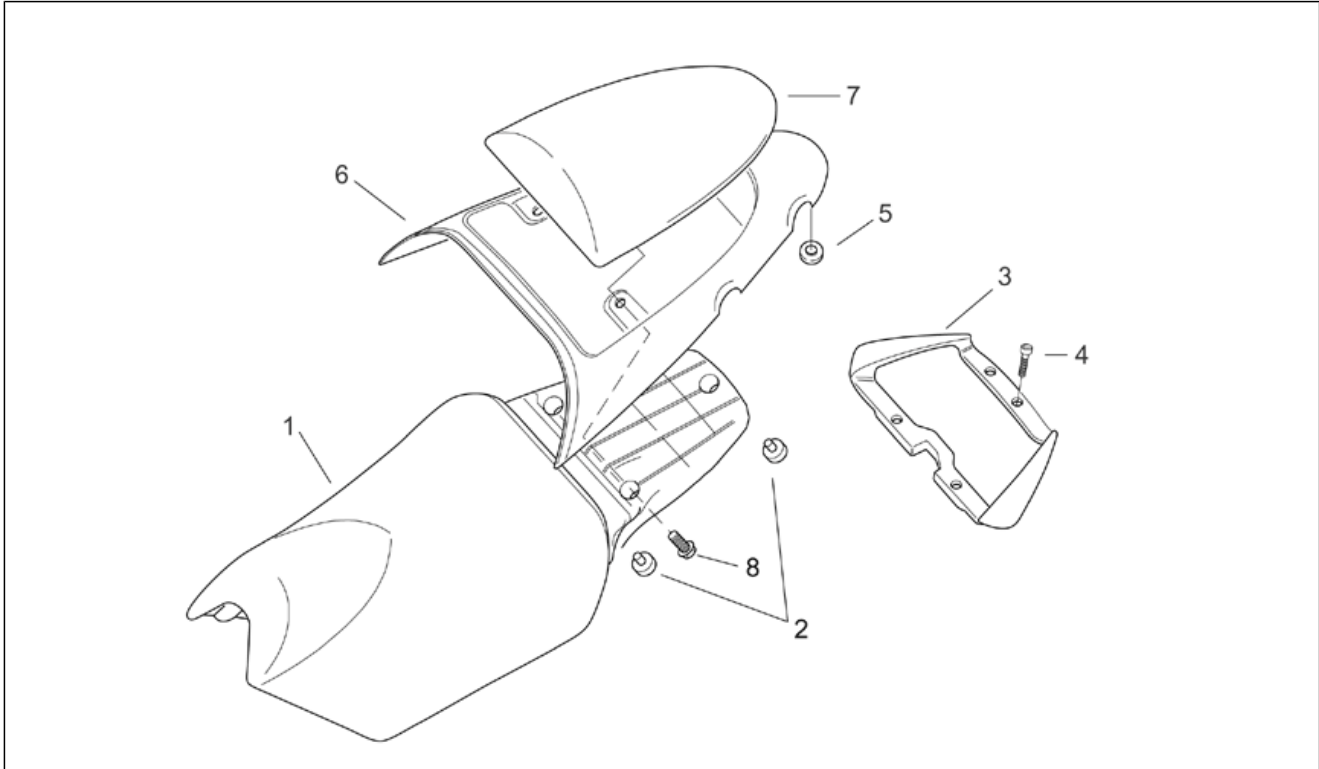
Pos.	Code	Description	Qty	Variants
1	AP8258846	Underpanel	1	<b>Year:</b> 2003[3] <b>Vehicle colour:</b> Red Tulip 2003[t.red] <b>Country:</b> United States of America[AM], Canadian[CA], Canadian[CN], United States of America[USA]
1	AP8268215	Underpanel	1	<b>Year:</b> 2004[4] <b>Vehicle colour:</b> Fluo Red 2004[r.fluo] <b>Country:</b> United States of America[AM], Canadian[CA], Canadian[CN], United States of America[USA]
1	AP8268247	Underpanel	1	<b>Year:</b> 2004[4] <b>Vehicle colour:</b> Poggiali White 2004[RP] <b>Country:</b> United States of America[AM], Canadian[CA], Canadian[CN], United States of America[USA]
2	AP8248665	RH mat, black	1	
3	AP8249892	Floor panel, black	1	
4	AP8248666	LH mat, black	1	
5	AP8102376	Clip M6	3	
6	AP8201763	Screw clip D5,5*	6	
7	AP8150425	Screw 5,5x22*	6	
8	AP8150382	Washer 15x5,5X1,2	6	
9	AP8152280	Screw w/ flange M6x25	2	
10	AP8221046	Spacer D6x8x13,5*	2	
11	AP8150413	Self-tap screw 3,9x14	8	

<b>Group</b>	FRAME
<b>Code</b>	28.11
<b>Description</b>	Saddle - Handle
<b>Service</b>	1



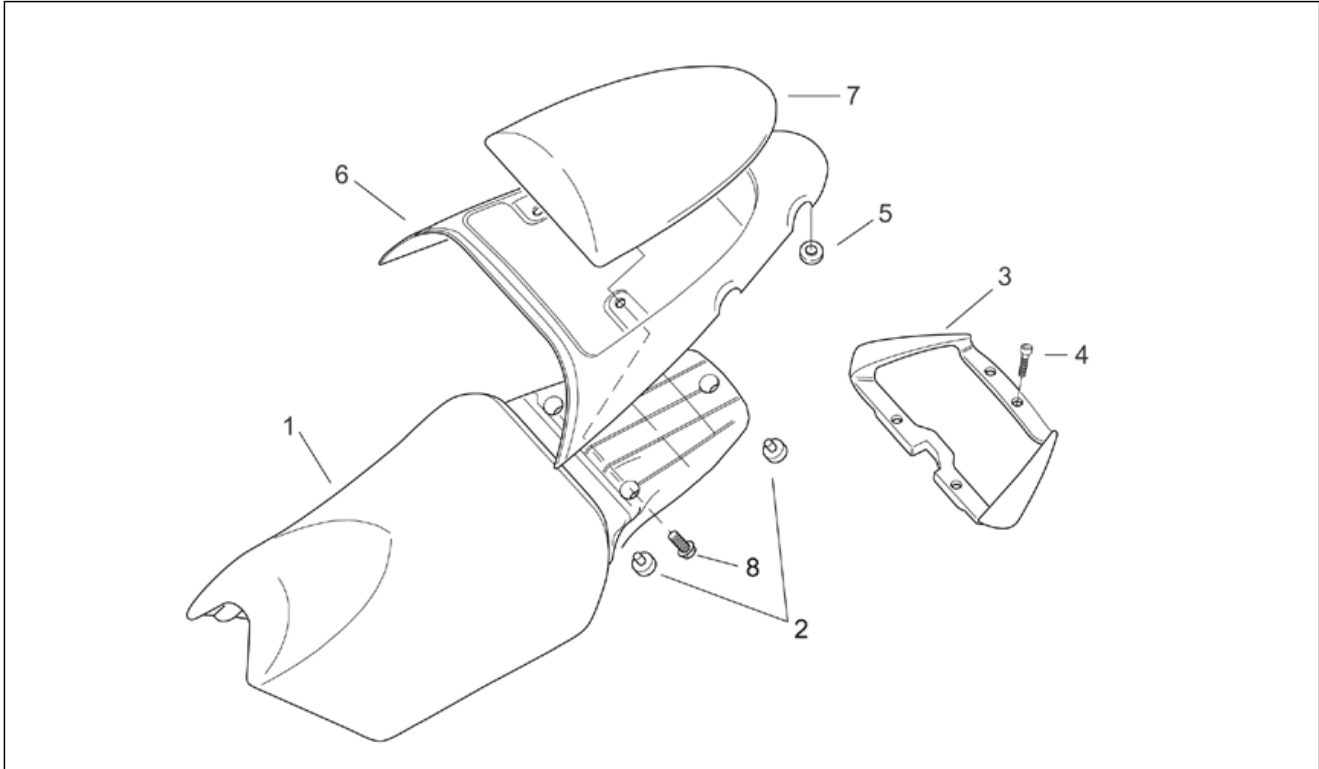
Pos.	Code	Description	Qty	Variants
1	AP8229293	Saddle complete, black	1	<b>Year:</b> 2003[3], 2004[4] <b>Vehicle colour:</b> Limited blue "Racing" 2003[b.lim] <b>Country:</b> United States of America[AM], Canadian[CA], Canadian[CN], United States of America[USA]
1	AP8229293	Saddle complete, black	1	<b>Vehicle colour:</b> Diablo Black 2001-2002[bl.di], Aprilia Black "Racing" 2000-2001[bl/re], Electric Blue "Sport" 2000-2001[el.bl], Nik Grey "Racing" 2000-2001[gr/ye], Hot Red "Sport" 2000-2001[h.red], Lemon Yellow 2001[le.ye], Fluo red 2003[r.flu], Silver Strained 2002[st.si]
1	AP8229344	Saddle complete, black	1	<b>Year:</b> 2003[3] <b>Vehicle colour:</b> GP1 2003[gp1] <b>Country:</b> United States of America[AM], Canadian[CA], Canadian[CN], United States of America[USA]
1	AP8229344	Saddle complete, black	1	<b>Year:</b> 2004[4] <b>Vehicle colour:</b> Fluo Red 2004[r.fluo], Poggiali White 2004[RP] <b>Country:</b> United States of America[AM], Canadian[CA], Canadian[CN], United States of America[USA]
1	AP8229344	Saddle complete, black	1	<b>Year:</b> 2003[3] <b>Vehicle colour:</b> SBK "Racing" 2003[sbk] <b>Country:</b> United States of America[AM], Canadian[CA], Canadian[CN], United States of America[USA]
1	AP8229344	Saddle complete, black	1	<b>Year:</b> 2002[2] <b>Vehicle colour:</b> Dust Grey 2002[du/gr], Haga 2002[haga]
1	AP8229354	Saddle	1	<b>Year:</b> 2003[3] <b>Vehicle colour:</b> Tuono 2003[tuono] <b>Country:</b> United States of America[AM], Canadian[CA], Canadian[CN], United States of America[USA]
1	AP8229383	Saddle	1	<b>Year:</b> 2003[3] <b>Vehicle colour:</b> Red Tulip 2003[t.red] <b>Country:</b> United States of America[AM], Canadian[CA], Canadian[CN], United States of America[USA]
2	AP8220349	Rubber spacer	4	
3	AP8249455	Pillion grab bar, black	1	

<b>Group</b>	FRAME
<b>Code</b>	28.11
<b>Description</b>	Saddle - Handle
<b>Service</b>	1



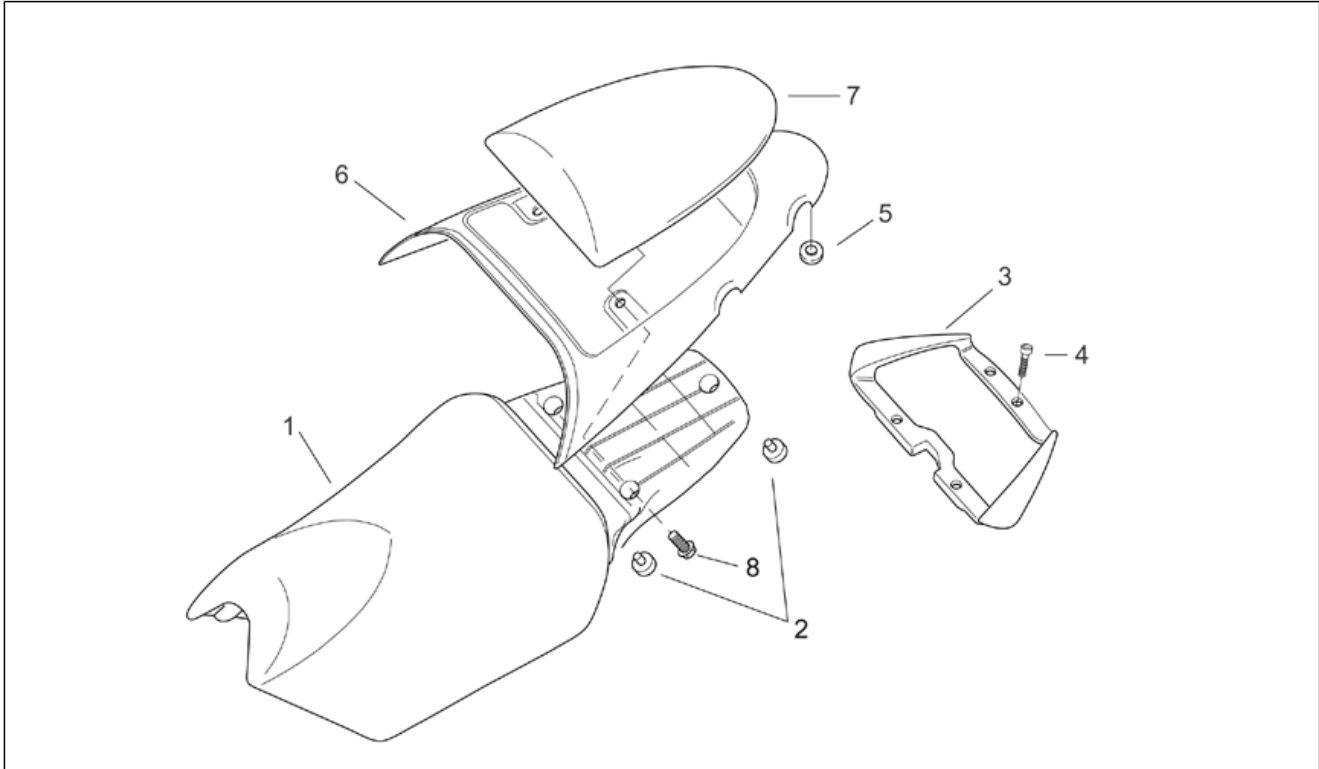
Pos.	Code	Description	Qty	Variants
4	AP8150220	Hex socket screw M6x30	4	
5	AP8144081	Rubber spacer	2	
6	AP8249447	Saddle cover, yellow	1	Year:2001[1], 2000[Y] Vehicle colour:Nik Grey "Racing" 2000-2001[gr/ye]
6	AP8249587	Saddle cover, red	1	Year:2001[1], 2000[Y] Vehicle colour:Aprilia Black "Racing" 2000-2001[bl/re]
6	AP8249926	Saddle cover, hot red+decal	1	Year:2001[1], 2000[Y] Vehicle colour:Hot Red "Sport" 2000-2001[h.red]
6	AP8249931	Saddle cover, el.blue+decal	1	Year:2001[1], 2000[Y] Vehicle colour:Electric Blue "Sport" 2000-2001[el.bl]
6	AP8258214	Saddle cover, diablo black	1	Year:2001[1] Vehicle colour:Diablo Black 2001-2002[bl.di]
6	AP8258239	Saddle cover, yellow+decal	1	Year:2001[1] Vehicle colour:Lemon Yellow 2001[le.ye]
6	AP8258486	Saddle cover, diablo black	1	Year:2002[2] Vehicle colour:Diablo Black 2001-2002[bl.di]
6	AP8258555	Saddle cover, diablo black	1	Year:2002[2] Vehicle colour:Dust Grey 2002[du/gr]
6	AP8258681	Saddle cover, silver	1	Year:2002[2], 2003[3] Vehicle colour:Fluo red 2003[r.flu], Silver Strained 2002[st.si]
6	AP8258733	Saddle cover, diablo black	1	Year:2002[2] Vehicle colour:Haga 2002[haga]
6	AP8258785	Saddle cover carb.	1	Year:2003[3] Vehicle colour:Tuono 2003[tuono] Country:United States of America[AM], Canadian[CA], Canadian[CN], United States of America[USA]
6	AP8258813	Saddle cover, black	1	Year:2003[3] Vehicle colour:SBK "Racing" 2003[sbk] Country:United States of America[AM], Canadian[CA], Canadian[CN], United States of America[USA]
6	AP8258826	Saddle cover, silver	1	Year:2003[3] Vehicle colour:GP1 2003[gp1]

<b>Group</b>	FRAME
<b>Code</b>	28.11
<b>Description</b>	Saddle - Handle
<b>Service</b>	1



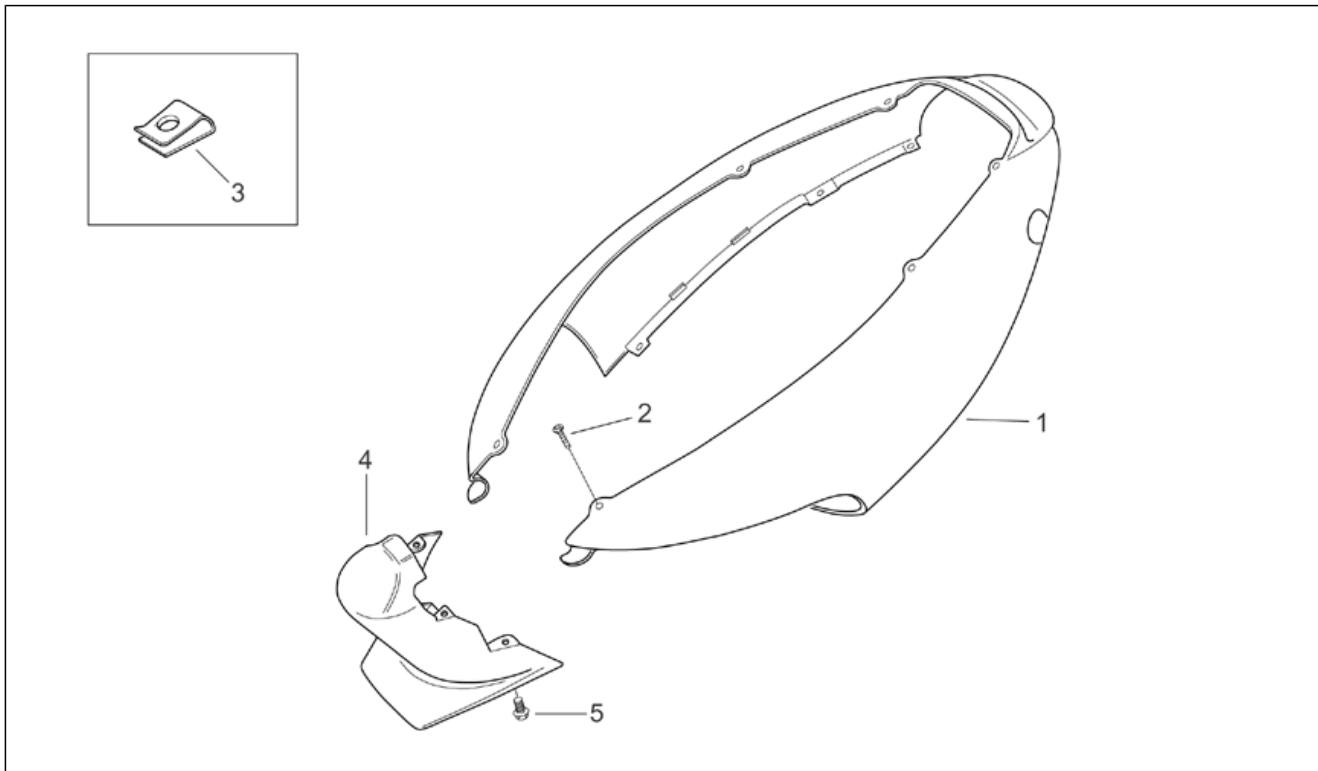
Pos.	Code	Description	Qty	Variants
				Country:United States of America[AM], Canadian[CA], Canadian[CN], United States of America[USA]
6	AP8258835	Saddle cover, red	1	Year:2003[3], 2004[4] Vehicle colour:Limited blue "Racing" 2003[b.lim] Country:United States of America[AM], Canadian[CA], Canadian[CN], United States of America[USA]
6	AP8258849	Saddle cover, red	1	Year:2003[3] Vehicle colour:Red Tulip 2003[t.red] Country:United States of America[AM], Canadian[CA], Canadian[CN], United States of America[USA]
6	AP8268216	Saddle cover, red	1	Year:2004[4] Vehicle colour:Fluo Red 2004[r.fluo] Country:United States of America[AM], Canadian[CA], Canadian[CN], United States of America[USA]
6	AP8268248	Saddle cover, black	1	Year:2004[4] Vehicle colour:Poggiali White 2004[RP] Country:United States of America[AM], Canadian[CA], Canadian[CN], United States of America[USA]
7	AP8229192	Rear saddle, black	1	Year:2001[1], 2002[2], 2003[3] Vehicle colour:Diablo Black 2001-2002[bl.di], Fluo red 2003[r.flu], Silver Strained 2002[st.si]
7	AP8229297	Rear saddle, fluo red	1	Year:2001[1], 2000[Y] Vehicle colour:Aprilia Black "Racing" 2000-2001[bl/re]
7	AP8229297	Rear saddle, fluo red	1	Year:2004[4] Vehicle colour:Fluo Red 2004[r.fluo] Country:United States of America[AM], Canadian[CA], Canadian[CN], United States of America[USA]
7	AP8229318	Rear saddle, yellow	1	Year:2001[1], 2000[Y] Vehicle colour:Nik Grey "Racing" 2000-2001[gr/ye]
7	AP8229318	Rear saddle, yellow	1	Year:2001[1] Vehicle colour:Lemon Yellow 2001[le.ye]
7	AP8229319	Rear saddle, blue	1	Year:2001[1], 2000[Y] Vehicle colour:Electric Blue "Sport" 2000-2001[el.bl]
7	AP8229321	Rear saddle, hot red	1	Year:2001[1], 2000[Y]

<b>Group</b>	FRAME
<b>Code</b>	28.11
<b>Description</b>	Saddle - Handle
<b>Service</b>	1



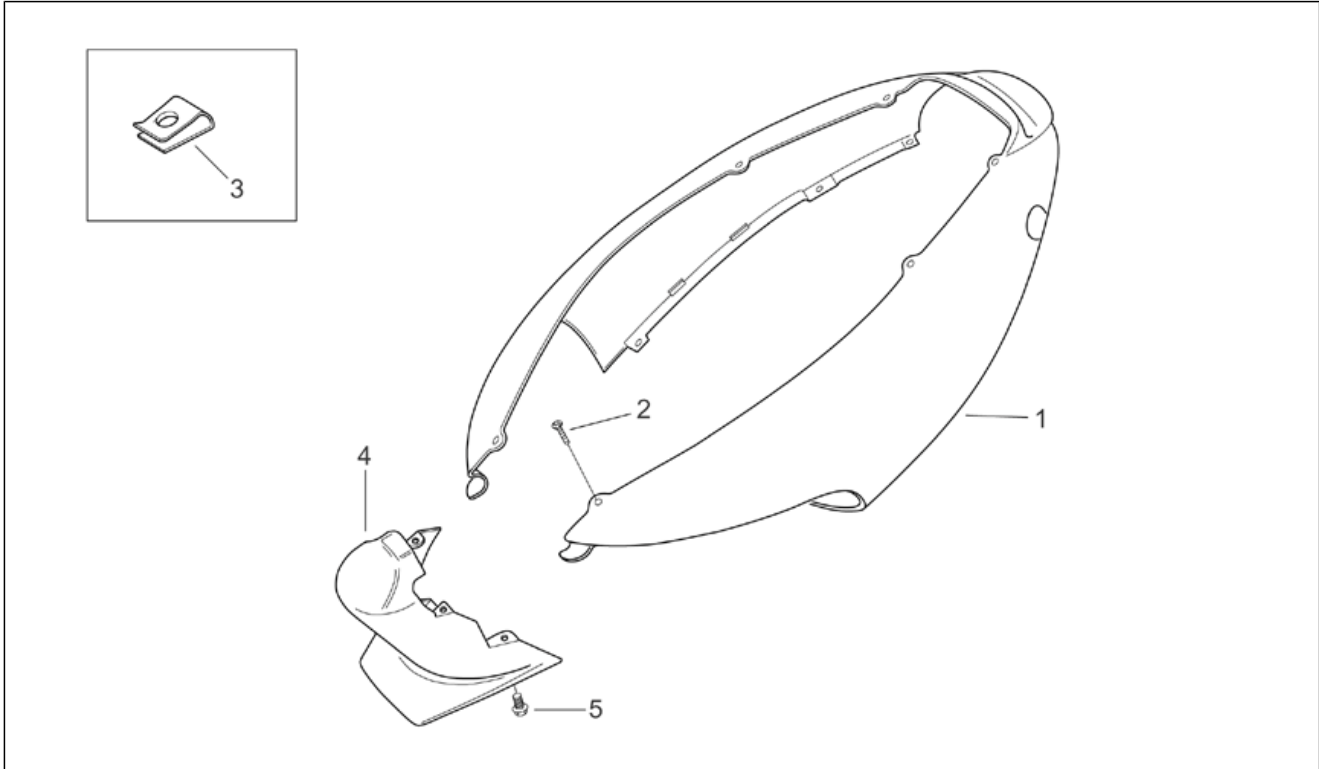
Pos.	Code	Description	Qty	Variants
				<b>Vehicle colour:</b> Hot Red "Sport" 2000-2001[h.red]
7	AP8229321	Rear saddle, hot red	1	<b>Year:</b> 2003[3], 2004[4] <b>Vehicle colour:</b> Limited blue "Racing" 2003[b.lim] <b>Country:</b> United States of America[AM], Canadian[CA], Canadian[CN], United States of America[USA]
7	AP8229345	Rear saddle, black	1	<b>Year:</b> 2002[2] <b>Vehicle colour:</b> Dust Grey 2002[du/gr], Haga 2002[haga]
7	AP8229355	Rear saddle, green	1	<b>Year:</b> 2003[3] <b>Vehicle colour:</b> Tuono 2003[tuono] <b>Country:</b> United States of America[AM], Canadian[CA], Canadian[CN], United States of America[USA]
7	AP8229358	Rear saddle	1	<b>Year:</b> 2004[4] <b>Vehicle colour:</b> Poggiali White 2004[RP] <b>Country:</b> United States of America[AM], Canadian[CA], Canadian[CN], United States of America[USA]
7	AP8229358	Rear saddle	1	<b>Year:</b> 2003[3] <b>Vehicle colour:</b> SBK "Racing" 2003[sbk] <b>Country:</b> United States of America[AM], Canadian[CA], Canadian[CN], United States of America[USA]
7	AP8229359	Rear saddle, grey	1	<b>Year:</b> 2003[3] <b>Vehicle colour:</b> GP1 2003[gp1] <b>Country:</b> United States of America[AM], Canadian[CA], Canadian[CN], United States of America[USA]
7	AP8229384	Rear saddle, red	1	<b>Year:</b> 2003[3] <b>Vehicle colour:</b> Red Tulip 2003[t.red] <b>Country:</b> United States of America[AM], Canadian[CA], Canadian[CN], United States of America[USA]
8	AP8152278	Screw w/ flange M6x16	3	

<b>Group</b>	FRAME
<b>Code</b>	28.12
<b>Description</b>	Rear body I
<b>Service</b>	1



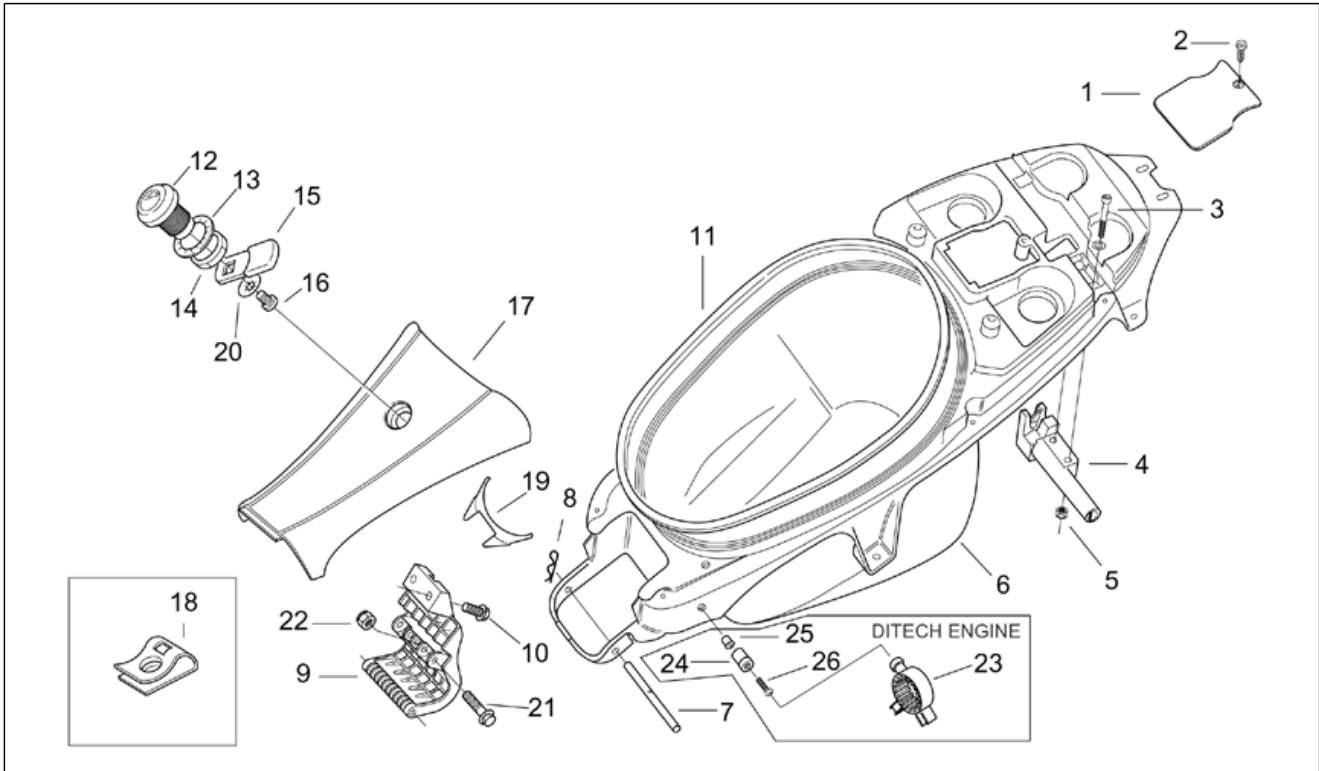
Pos.	Code	Description	Qty	Variants
1	AP8249452	Rear fairing, nik grey	1	Year:2001[1], 2000[Y] Vehicle colour:Nik Grey "Racing" 2000-2001[gr/ye]
1	AP8249584	Rear fairing, Ap.Black	1	Year:2001[1], 2000[Y] Vehicle colour:Aprilia Black "Racing" 2000-2001[bl/re]
1	AP8249922	Rear fairing, hot red+decal	1	Year:2001[1], 2000[Y] Vehicle colour:Hot Red "Sport" 2000-2001[h.red]
1	AP8249928	Rear fairing, el.blue+decal	1	Year:2001[1], 2000[Y] Vehicle colour:Electric Blue "Sport" 2000-2001[el.bl]
1	AP8258209	Rear fairing, diablo black	1	Year:2001[1] Vehicle colour:Diablo Black 2001-2002[bl.di]
1	AP8258236	Rear fairing, yell.+decal	1	Year:2001[1] Vehicle colour:Lemon Yellow 2001[le.ye]
1	AP8258483	Rear fairing, black+decal	1	Year:2002[2] Vehicle colour:Diablo Black 2001-2002[bl.di]
1	AP8258550	Rear fairing, grey	1	Year:2002[2] Vehicle colour:Dust Grey 2002[du/gr]
1	AP8258677	Rear fairing, silver	1	Year:2002[2] Vehicle colour:Silver Strained 2002[st.si]
1	AP8258730	Rear fairing, diablo black	1	Year:2002[2] Vehicle colour:Haga 2002[haga]
1	AP8258782	Rear fairing,d. black	1	Year:2003[3] Vehicle colour:Tuono 2003[tuono] Country:United States of America[AM], Canadian[CA], Canadian[CN], United States of America[USA]
1	AP8258810	Rear fairing,d. black	1	Year:2003[3] Vehicle colour:SBK "Racing" 2003[sbk] Country:United States of America[AM], Canadian[CA], Canadian[CN], United States of America[USA]
1	AP8258823	Rear fairing,d. black	1	Year:2003[3] Vehicle colour:GP1 2003[gp1] Country:United States of America[AM], Canadian[CA], Canadian[CN], United States of America[USA]
1	AP8258830	Rear fairing, blue	1	Year:2003[3], 2004[4]

<b>Group</b>	FRAME
<b>Code</b>	28.12
<b>Description</b>	Rear body I
<b>Service</b>	1



Pos.	Code	Description	Qty	Variants
				<b>Vehicle colour:</b> Limited blue "Racing" 2003[b.lim] <b>Country:</b> United States of America[AM], Canadian[CA], Canadian[CN], United States of America[USA]
1	AP8258844	Rear fairing, red	1	<b>Year:</b> 2003[3] <b>Vehicle colour:</b> Red Tulip 2003[t.red] <b>Country:</b> United States of America[AM], Canadian[CA], Canadian[CN], United States of America[USA]
1	AP8258934	Rear fairing, red	1	<b>Year:</b> 2003[3] <b>Vehicle colour:</b> Fluo red 2003[r.flu]
1	AP8268204	Rear fairing, p.grey	1	<b>Year:</b> 2004[4] <b>Vehicle colour:</b> Fluo Red 2004[r.fluo] <b>Country:</b> United States of America[AM], Canadian[CA], Canadian[CN], United States of America[USA]
1	AP8268245	Rear fairing, A.white	1	<b>Year:</b> 2004[4] <b>Vehicle colour:</b> Poggiali White 2004[RP] <b>Country:</b> United States of America[AM], Canadian[CA], Canadian[CN], United States of America[USA]
2	AP8150413	Self-tap screw 3,9x14	10	
3	AP8201763	Screw clip D5,5*	4	
4	AP8249708	Saddle pillar, black	1	
5	AP8152277	Screw w/ flange M6x12	2	

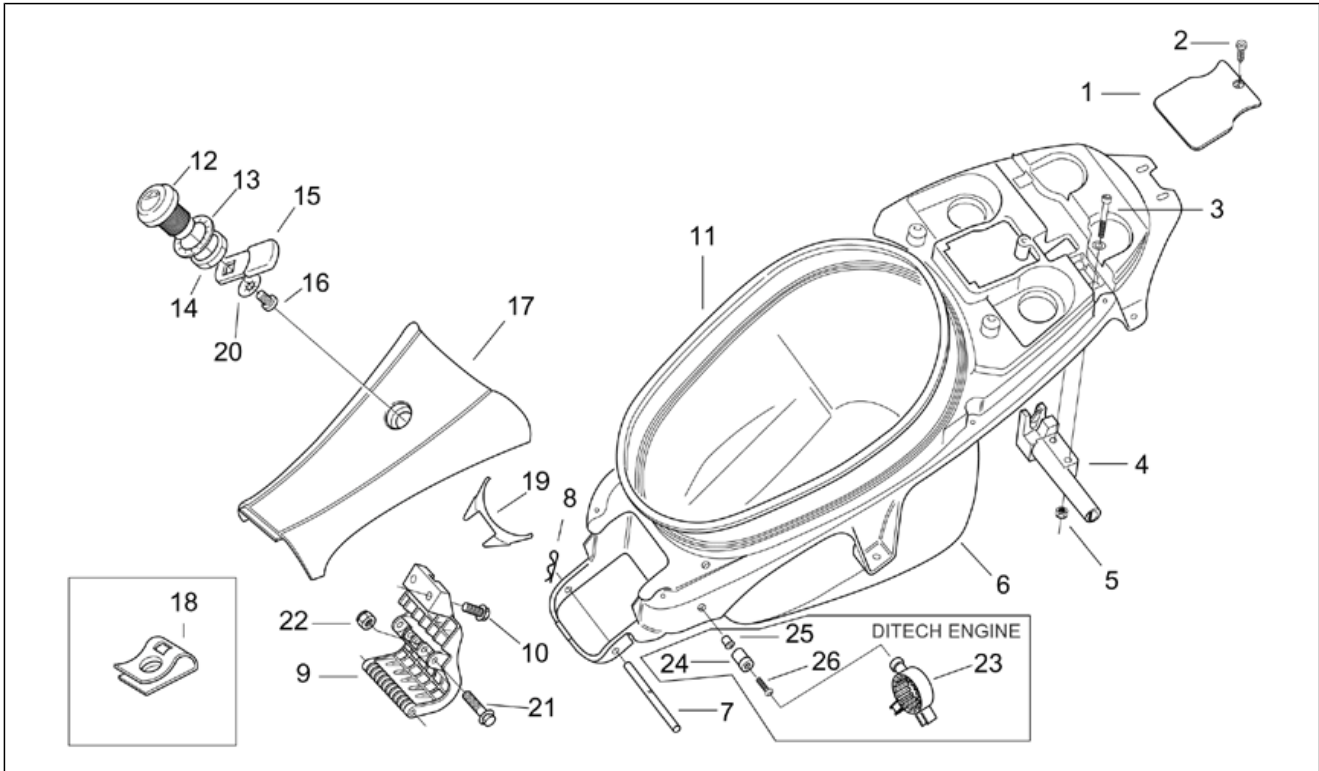
<b>Group</b>	FRAME
<b>Code</b>	28.13
<b>Description</b>	Rear body II
<b>Service</b>	1



Pos.	Code	Description	Qty	Variants
1	AP8238856	Fuel sens. cover, black	1	
2	AP8150413	Self-tap screw 3,9x14	1	
3	AP8152283	Screw w/ flange	2	
4	AP8202246	Saddle lock	1	
5	AP8150430	Low self-locking nut	2	
6	AP8258058	Helmet compartment	1	
7	AP8221321	Saddle spin	1	
8	AP8201643	Split pin	1	
9	AP8238681	Pillar hinge, black	1	
10	AP8152279	Screw w/ flange M6x20	2	
11	AP8220313	Top box weatherseal	1	
12	AP8202247	Lock	1	
13	AP8221312	Notched washer	1	
14	AP8152194	Low nut M19x1*	1	
15	AP8201620	Lever	1	
16	AP8201749	Screw M4x6	1	
17	AP8249532	Tunnel cover, met.black	1	Year:2002[2] Vehicle colour:Haga 2002[haga]
17	AP8249532	Tunnel cover, met.black	1	Year:2002[2] Vehicle colour:Silver Strained 2002[st.si]
17	AP8249532	Tunnel cover, met.black	1	Vehicle colour:Diablo Black 2001-2002[bl.di], Aprilia Black "Racing" 2000-2001[bl/re], Electric Blue "Sport" 2000-2001[el.bl], Nik Grey "Racing" 2000-2001[gr/ye], Hot Red "Sport" 2000-2001[h.red], Lemon Yellow 2001[le.ye], Fluo red 2003[r.flu]
17	AP8249532	Tunnel cover, met.black	1	Year:2004[4] Vehicle colour:Poggiali White 2004[RP] Country:United States of America[AM], Canadian[CA], Canadian[CN], United States of America[USA]
17	AP8258561	Tunnel cover, grey	1	Year:2003[3], 2004[4] Vehicle colour:Limited blue "Racing" 2003[b.lim]

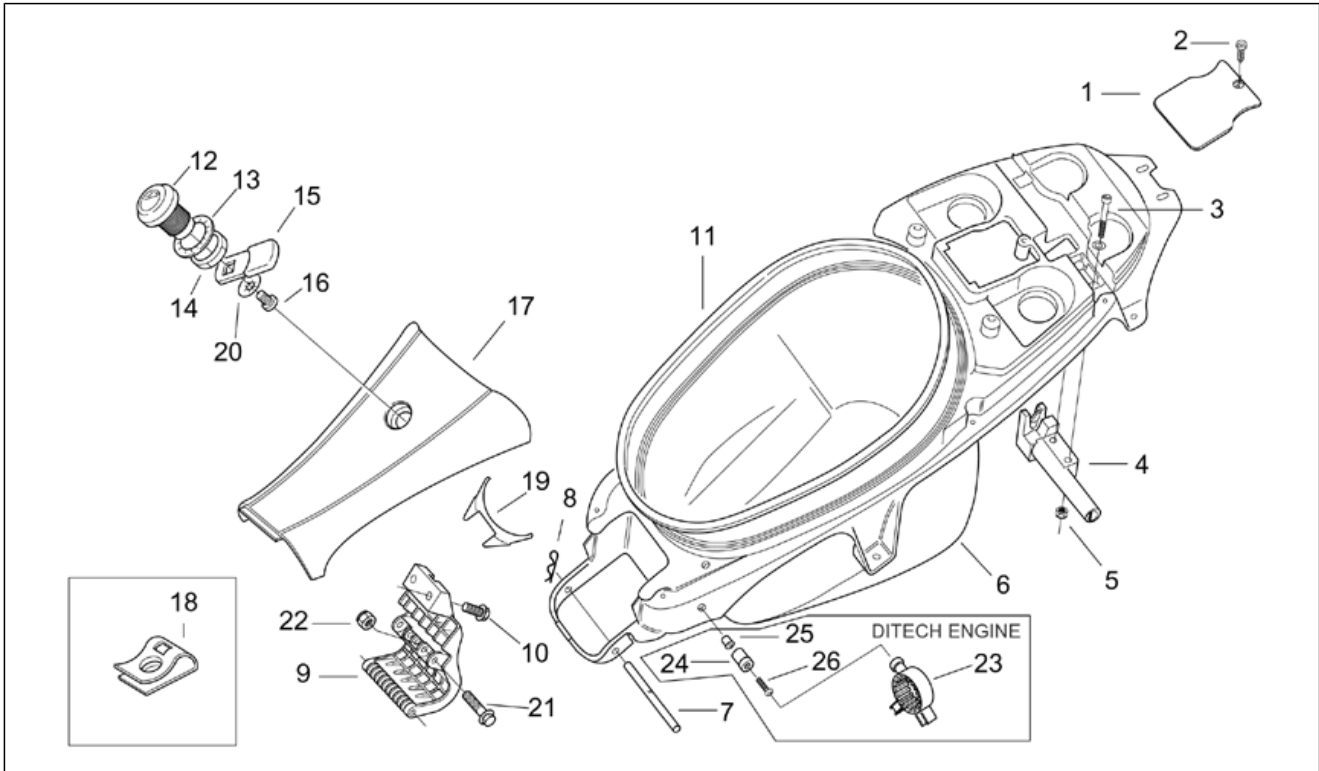


<b>Group</b>	FRAME
<b>Code</b>	28.13
<b>Description</b>	Rear body II
<b>Service</b>	1



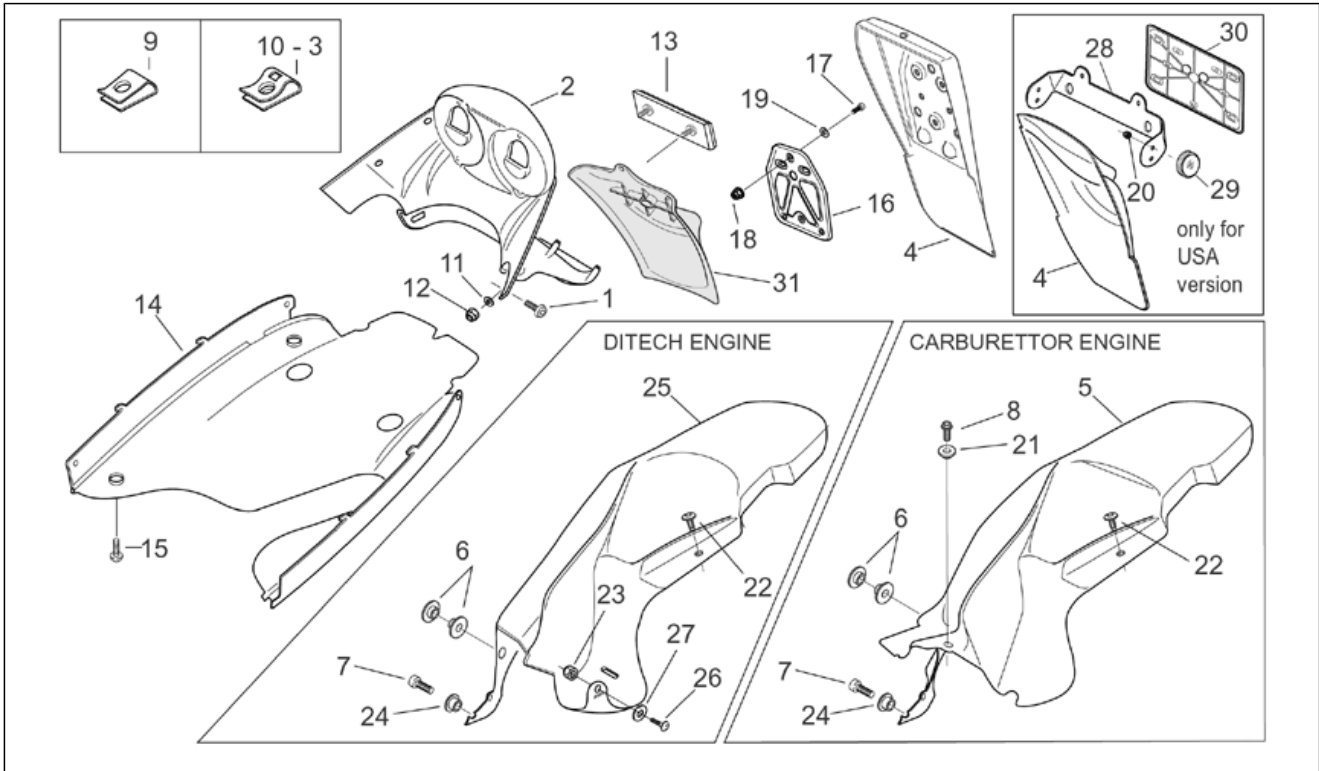
Pos.	Code	Description	Qty	Variants
17	AP8258561	Tunnel cover, grey	1	Country:United States of America[AM], Canadian[CA], Canadian[CN], United States of America[USA] Year:2003[3] Vehicle colour:GP1 2003[gp1] Country:United States of America[AM], Canadian[CA], Canadian[CN], United States of America[USA]
17	AP8258561	Tunnel cover, grey	1	Year:2003[3] Vehicle colour:Red Tulip 2003[t.red] Country:United States of America[AM], Canadian[CA], Canadian[CN], United States of America[USA]
17	AP8258561	Tunnel cover, grey	1	Year:2002[2] Vehicle colour:Dust Grey 2002[du/gr]
17	AP8258561	Tunnel cover, grey	1	Year:2004[4] Vehicle colour:Fluo Red 2004[r.fluo] Country:United States of America[AM], Canadian[CA], Canadian[CN], United States of America[USA]
17	AP8258561	Tunnel cover, grey	1	Year:2003[3] Vehicle colour:SBK "Racing" 2003[sbk] Country:United States of America[AM], Canadian[CA], Canadian[CN], United States of America[USA]
17	AP8258789	Tunnel cover	1	Year:2003[3] Vehicle colour:Tuono 2003[tuono] Country:United States of America[AM], Canadian[CA], Canadian[CN], United States of America[USA]
18	AP8102376	Clip M6	7	
19	AP8220468	Saddle hinge rubber	1	
20	AP8201748	Washer	1	
21	AP8152282	Screw w/ flange M6x35	2	
22	AP8152299	Self-locking nut M6	2	
23	AP8220592	Fuel pump support	1	Technical Specifications:"DITECH" engine with direct fuel injection[ie]
24	AP8234195	Pin	1	Technical Specifications:"DITECH" engine with direct fuel injection[ie]

<b>Group</b>	FRAME
<b>Code</b>	28.13
<b>Description</b>	Rear body II
<b>Service</b>	1



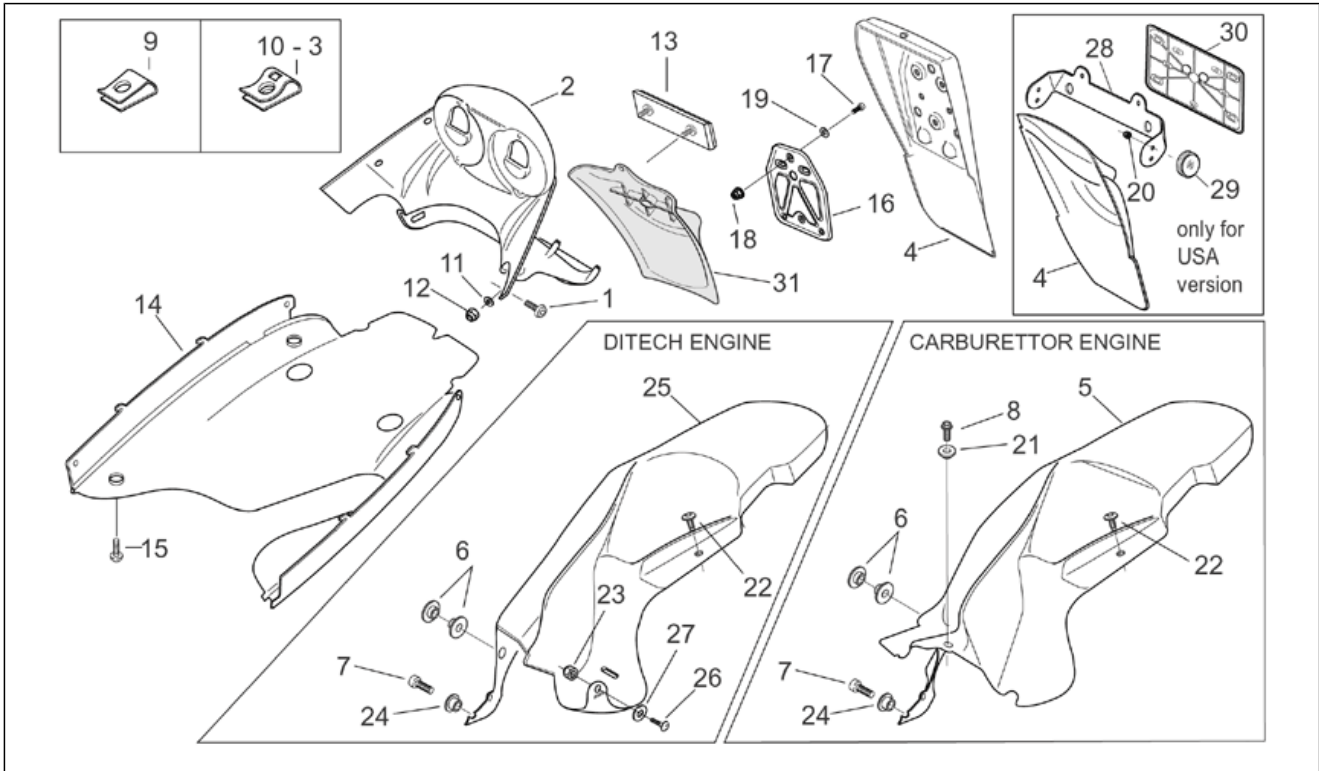
Pos.	Code	Description	Qty	Variants
25	AP8120531	Rubber w/ insert	1	<b>Technical Specifications:</b> "DITECH" engine with direct fuel injection[ie]
26	AP8225369	Hex socket screw	1	<b>Technical Specifications:</b> "DITECH" engine with direct fuel injection[ie]

<b>Group</b>	FRAME
<b>Code</b>	28.14
<b>Description</b>	Rear body III
<b>Service</b>	1



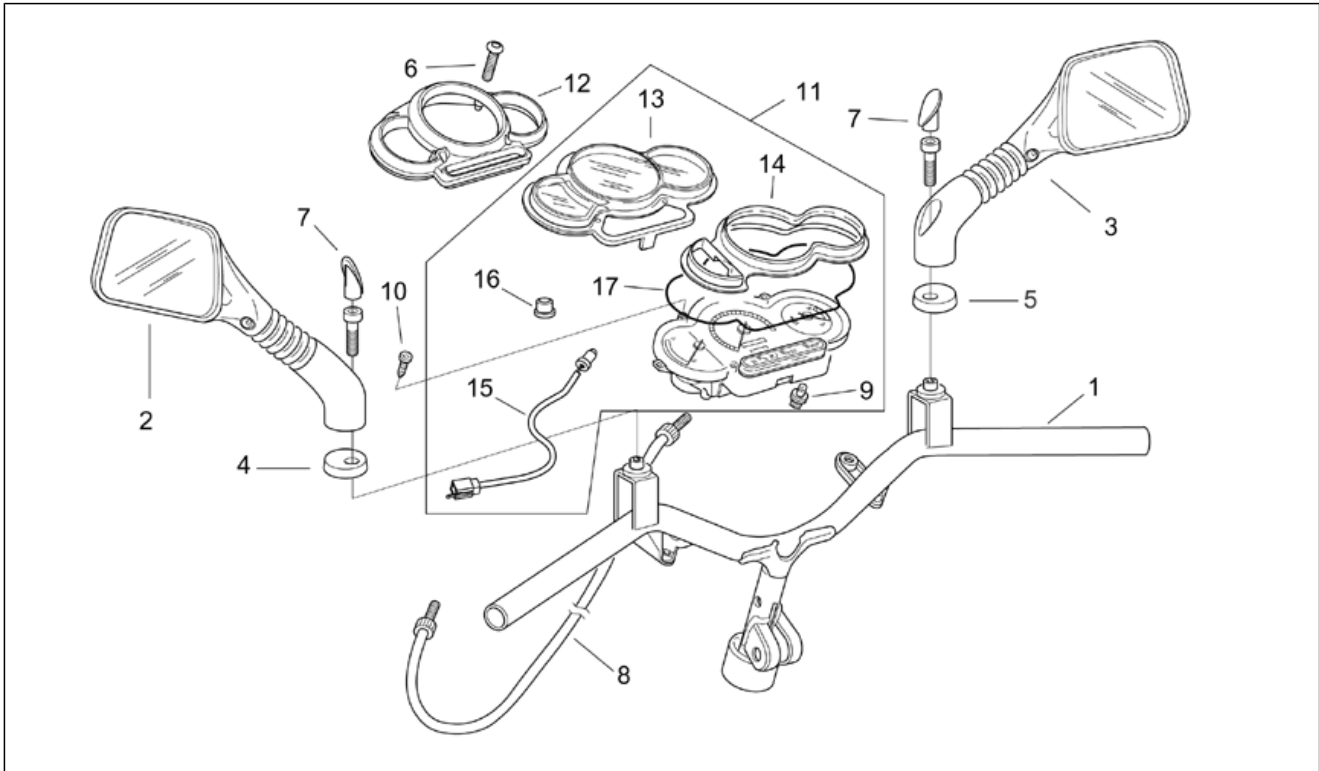
Pos.	Code	Description	Qty	Variants
1	AP8152298	Screw w/ flange M5x16	2	
2	AP8226602	Plate holder, met.black	1	<b>Country:</b> Australia[AA], United States of America[AM], Australia[AUS], Canadian[CA], Canadian[CN], United States of America[USA]
2	AP8226627	Number plate holder, black	1	<b>Country:</b> Austria[A], Belgium[B], Switzerland[CH], Germany[D], Denmark[DK], Spain[E], A, B, CH, D, DK, E, F, I, NL, P, UK[EU], France[F], Greece[GR], Italy[I], Japan[J], Japan[J], Holland[NL], Portugal[P], Great Britain[UK]
3	AP8102376	Clip M6	1	
4	AP8226603	Rear splash guard, met.black	1	<b>Country:</b> United States of America[AM], Canadian[CA], Canadian[CN], United States of America[USA]
4	AP8226626	Rear splash guard, black	1	<b>Country:</b> Austria[A], Australia[AA], Australia[AUS], Belgium[B], Switzerland[CH], Germany[D], Denmark[DK], Spain[E], A, B, CH, D, DK, E, F, I, NL, P, UK[EU], France[F], Greece[GR], Italy[I], Japan[J], Japan[J], Holland[NL], Portugal[P], Great Britain[UK]
5	AP8226660	Rear mudguard	1	<b>Technical Specifications:</b> Engine with carburettor[carb]
6	AP8221218	Mudguard bush	2	
7	AP8150220	Hex socket screw M6x30	1	
8	AP8152278	Screw w/ flange M6x16	1	<b>Technical Specifications:</b> Engine with carburettor[carb]
9	AP8201763	Screw clip D5,5*	2	
10	AP8102375	Clip m5	4	
11	AP8150158	Washer 4,3X9X0,8	2	
12	AP8150204	Nut M4	2	
13	AP8112916	Rear reflector	1	
14	AP8249762	Fuel tank prot., met.black	1	
14	AP8258562	Grey fuel tank cover	1	
14	AP8258790	Gold fuel tank cover	1	
15	AP8152298	Screw w/ flange M5x16	4	
16	AP8249558	Number plate support	1	<b>Country:</b> Italy[I]
17	AP8152043	Hex socket screw M4x10	3	<b>Country:</b> Italy[I]

<b>Group</b>	FRAME
<b>Code</b>	28.14
<b>Description</b>	Rear body III
<b>Service</b>	1



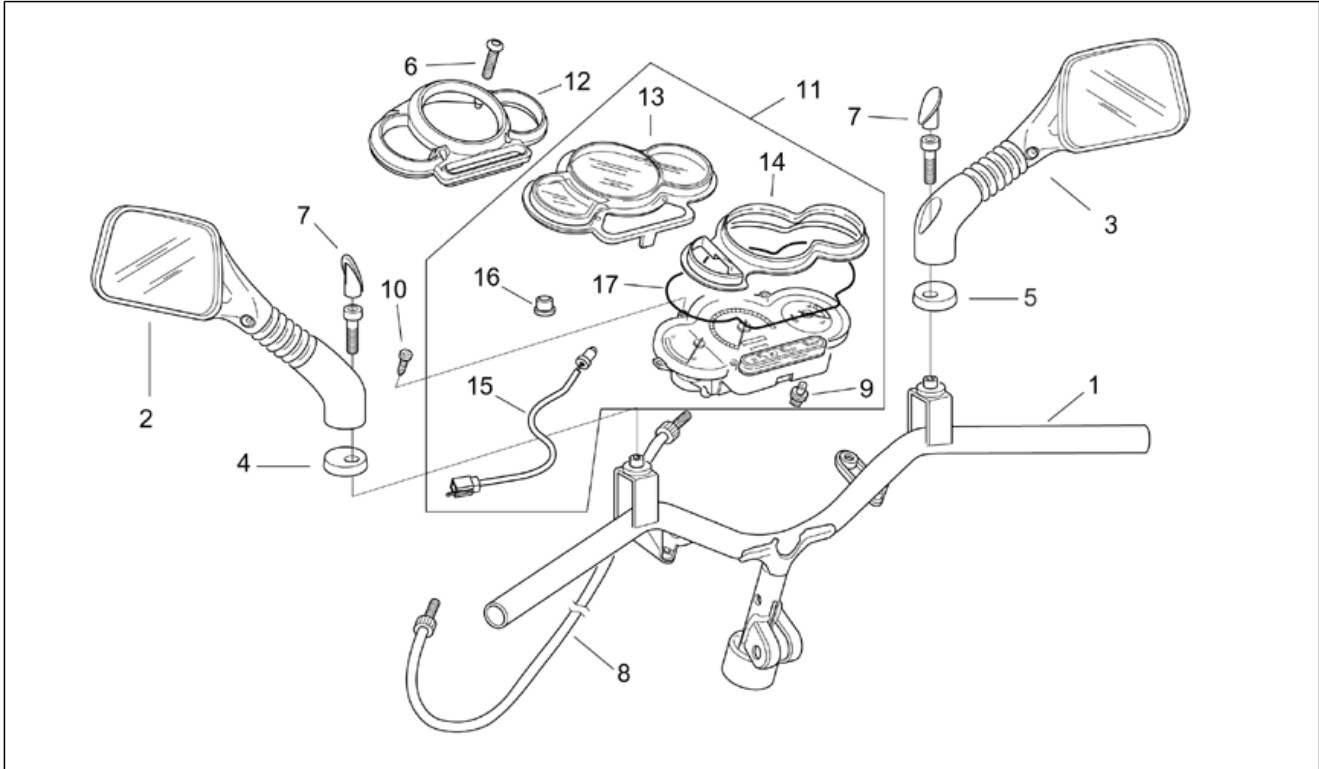
Pos.	Code	Description	Qty	Variants
18	AP8150204	Nut M4	3	Country:Italy[I]
19	AP8150158	Washer 4,3X9X0,8	3	Country:Italy[I]
20	AP8152306	Self-locking nut m5	4	Country:United States of America[AM], Canadian[CA], Canadian[CN], United States of America[USA] Technical Specifications:"DITECH" engine with direct fuel injection[ie]
21	AP8121075	T bush *	1	Technical Specifications:Engine with carburettor[carb]
22	AP8152302	Screw w/ flange M5x12	1	
23	AP8150430	Low self-locking nut	1	Technical Specifications:"DITECH" engine with direct fuel injection[ie]
24	AP8121811	T bush	1	
25	AP8226749	Rear mudguard	1	Year:2002[2], 2003[3], 2004[4] Technical Specifications:"DITECH" engine with direct fuel injection[ie]
26	AP8152282	Screw w/ flange M6x35	1	Technical Specifications:"DITECH" engine with direct fuel injection[ie]
27	AP8121075	T bush *	1	Technical Specifications:"DITECH" engine with direct fuel injection[ie]
28	AP8258253	Rear reflector support	1	Country:United States of America[AM], Canadian[CA], Canadian[CN], United States of America[USA] Technical Specifications:"DITECH" engine with direct fuel injection[ie]
29	AP8224164	Rear reflector, red	2	Country:United States of America[AM], Canadian[CA], Canadian[CN], United States of America[USA] Technical Specifications:"DITECH" engine with direct fuel injection[ie]
30	AP8149034	Number plate support	1	Country:United States of America[AM], Canadian[CA], Canadian[CN], United States of America[USA] Technical Specifications:"DITECH" engine with direct fuel injection[ie]
31	AP8149303	Plate light support, black	1	Country:Australia[AA], Australia[AUS]

<b>Group</b>	FRAME
<b>Code</b>	28.15
<b>Description</b>	Handlebar - Dashboard
<b>Service</b>	1



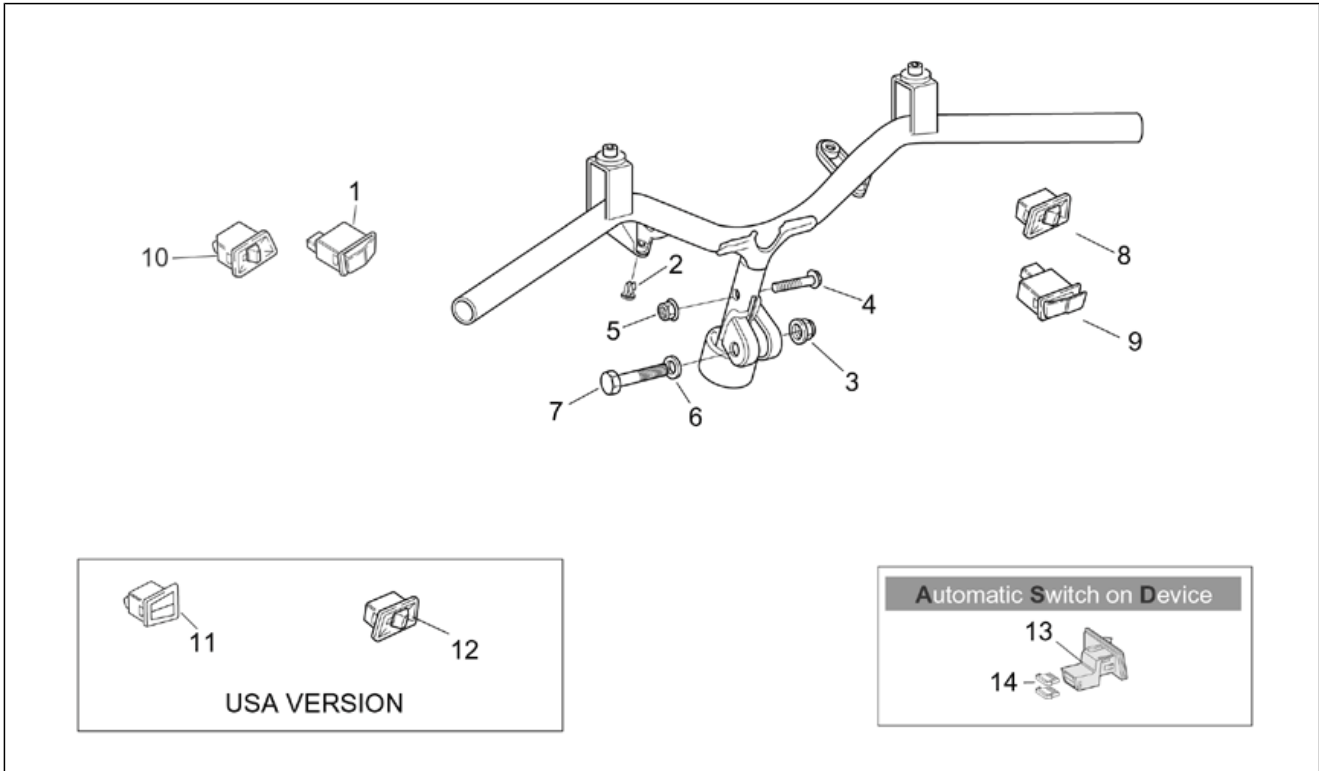
Pos.	Code	Description	Qty	Variants
1	AP8218210	Handlebar w phor ctng.	1	
2	AP8201976	LH rearview mirror	1	
3	AP8201975	RH rearview mirror	1	
4	AP8220454	LH mirror rubber	1	
5	AP8220453	RH mirror rubber	1	
6	AP8221242	Spec. self-tap screw 3,5x20	4	
7	AP8202071	RH + LH rearview mirror plug	2	
8	AP8214163	Odometer cable	1	
9	AP8124762	Lampholder, complete	7	
10	AP8150421	Self-tap screw 2,9x12	4	
11	AP8224321	Dashboard complete	1	<b>Country:</b> Japan[J], Japan[JJ]
11	AP8224402	Dashboard complete	1	<b>Country:</b> United States of America[AM], United States of America[USA] <b>Technical Specifications:</b> "DITECH" engine with direct fuel injection[ie]
11	AP8224484	Dashboard complete	1	<b>Country:</b> Austria[A], Australia[AA], Australia[AUS], Belgium[B], Switzerland[CH], Germany[D], Denmark[DK], Spain[E], A, B, CH, D, DK, E, F, I, NL, P, UK[EU], France[F], Italy[I], Holland[NL], Portugal[P], Great Britain[UK] <b>Technical Specifications:</b> "DITECH" engine with direct fuel injection[ie]
11	AP8224485	Dashboard complete	1	<b>Country:</b> Austria[A], Belgium[B], Switzerland[CH], Germany[D], Denmark[DK], Spain[E], France[F], Greece[GR], Italy[I], Holland[NL], Portugal[P], Great Britain[UK] <b>Technical Specifications:</b> Engine with carburettor[carb]
11	AP8224521	Dashboard complete	1	<b>Country:</b> Canadian[CA], Canadian[CN] <b>Technical Specifications:</b> "DITECH" engine with direct fuel injection[ie]
12	AP8249766	Fascia panel w/out lenses	1	
13	AP8224344	Dashboard lens prot.	1	
14	AP8224345	Lighting shield	1	

<b>Group</b>	FRAME
<b>Code</b>	28.15
<b>Description</b>	Handlebar - Dashboard
<b>Service</b>	1



Pos.	Code	Description	Qty	Variants
15	AP8224369	Dashboard cable	1	<b>Technical Specifications:</b> "DITECH" engine with direct fuel injection[ie]
16	AP8224368	Cover	1	<b>Technical Specifications:</b> Engine with carburettor[carb]
17	AP8220551	O-ring	1	

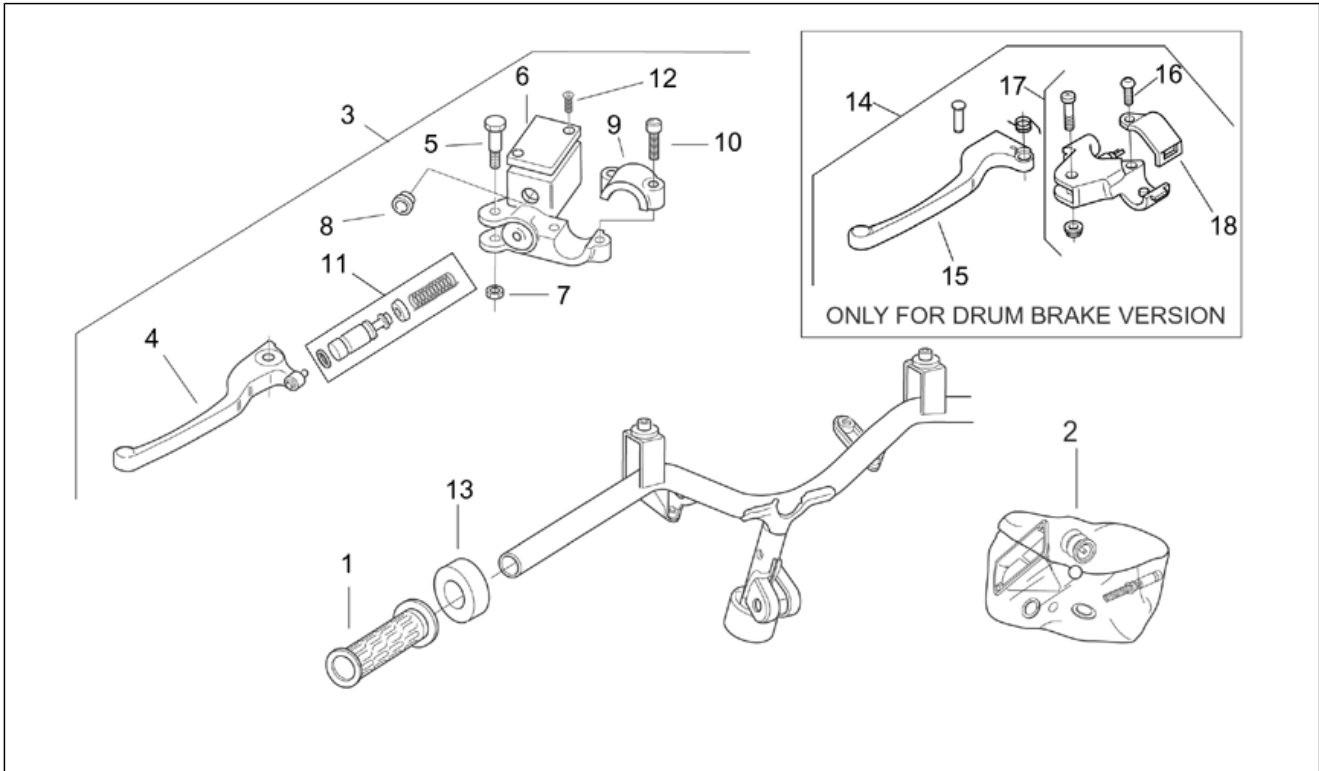
<b>Group</b>	FRAME
<b>Code</b>	28.16
<b>Description</b>	Handlebar - Buttons
<b>Service</b>	1



Pos.	Code	Description	Qty	Variants
1	AP8124209	Horn button	1	
2	AP8102671	Plastic rivet	2	
3	AP8152301	Self-locking nut	1	
4	AP8152290	Screw w/ flange M8x40	1	
5	AP8152300	Self-locking nut M8	2	
6	AP8150020	Washer 10,5x21x2*	1	
7	AP8150086	Hex socket screw	1	
8	AP8212837	2-way lightbutton	1	<b>Country:</b> Austria[A], Australia[AA], Australia[AUS], Belgium[B], Switzerland[CH], Germany[D], Denmark[DK], Spain[E], A, B, CH, D, DK, E, F, I, NL, P, UK[EU], France[F], Greece[GR], Italy[I], Holland[NL], Portugal[P], Great Britain[UK] <b>Technical Specifications:</b> Lights switch[SD]
8	AP8212994	2-way lightbutton	1	<b>Country:</b> Japan[J], Japan[JJ]
9	AP8124208	Start pushbutton	1	
10	AP8212767	Turn indic.lightbutton	1	
11	AP8124081	Lights selector	1	<b>Country:</b> United States of America[AM], Canadian[CA], Canadian[CN], United States of America[USA]
12	AP8224130	Engine stop switch	1	<b>Country:</b> United States of America[AM], Canadian[CA], Canadian[CN], United States of America[USA]
13	AP8104546	Cover	1	<b>Country:</b> Austria[A], Australia[AA], Australia[AUS], Belgium[B], Switzerland[CH], Germany[D], Denmark[DK], Spain[E], A, B, CH, D, DK, E, F, I, NL, P, UK[EU], France[F], Greece[GR], Italy[I], Holland[NL], Portugal[P], Great Britain[UK] <b>Technical Specifications:</b> Automatic switch on device[ASD]
14	AP8127487	Light connector	1	<b>Country:</b> Austria[A], Australia[AA], Australia[AUS], Belgium[B], Switzerland[CH], Germany[D], Denmark[DK], Spain[E], A, B, CH, D, DK, E, F, I, NL, P, UK[EU], France[F], Greece[GR], Italy[I], Holland[NL], Portugal[P], Great Britain[UK] <b>Technical Specifications:</b> Automatic switch on device[ASD]



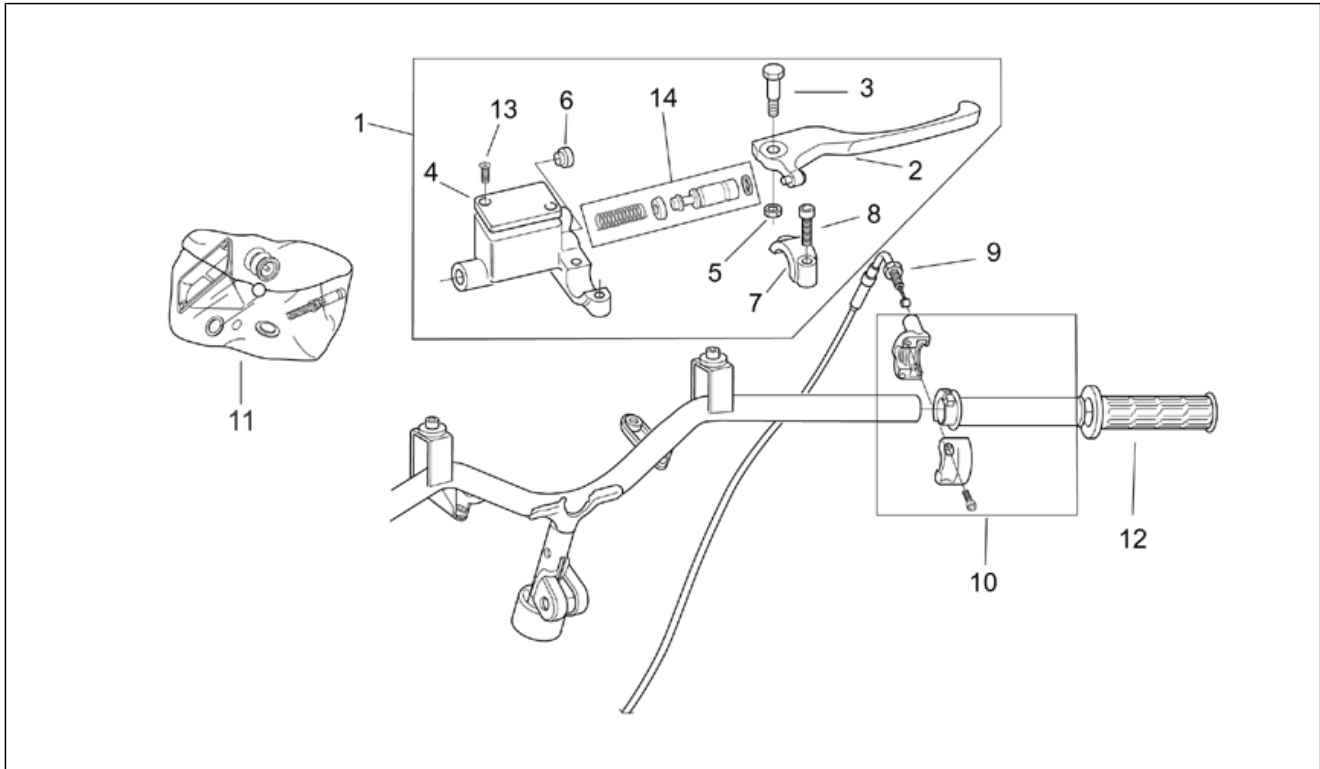
<b>Group</b>	FRAME
<b>Code</b>	28.17
<b>Description</b>	LH Controls
<b>Service</b>	1



Pos.	Code	Description	Qty	Variants
1	AP8218265	Handgrip pair, grey	1	
1	AP8218275	Handgrip pair, black	1	
2	AP8213375	Pump revision kit	1	<b>Technical Specifications:</b> Rear disc brake[f.d.]
3	AP8213485	Rear master cylinder	1	<b>Technical Specifications:</b> Rear disc brake[f.d.]
4	AP8218549	Brake lever, black	1	<b>Technical Specifications:</b> Rear disc brake[f.d.]
5	AP8125757	Lever screw	1	<b>Technical Specifications:</b> Rear disc brake[f.d.]
6	AP8213272	Tank cover	1	<b>Technical Specifications:</b> Rear disc brake[f.d.]
7	AP8213298	Nut	1	<b>Technical Specifications:</b> Rear disc brake[f.d.]
8	AP8113414	Master cyl.level window	1	<b>Technical Specifications:</b> Rear disc brake[f.d.]
9	AP8113637	Brake lever U-bolt	1	<b>Technical Specifications:</b> Rear disc brake[f.d.]
10	AP8213299	Cap screw	2	<b>Technical Specifications:</b> Rear disc brake[f.d.]
11	AP8113861	Piston assy	1	<b>Technical Specifications:</b> Rear disc brake[f.d.]
12	AP8213400	Pump cover screw	2	<b>Technical Specifications:</b> Rear disc brake[f.d.]
13	AP8148454	Dashboard lockup	1	<b>Technical Specifications:</b> Rear drum brake[f.t.]
14	AP8218136	LH rear brake control	1	<b>Technical Specifications:</b> Rear drum brake[f.t.]
15	AP8218153	Rear brake lever	1	<b>Technical Specifications:</b> Rear drum brake[f.t.]
16	AP8118472	screw	1	<b>Technical Specifications:</b> Rear drum brake[f.t.]
17	AP8218114	Brake lever pin	1	<b>Technical Specifications:</b> Rear drum brake[f.t.]
18	AP8218154	Brake lever U-bolt	1	<b>Technical Specifications:</b> Rear drum brake[f.t.]

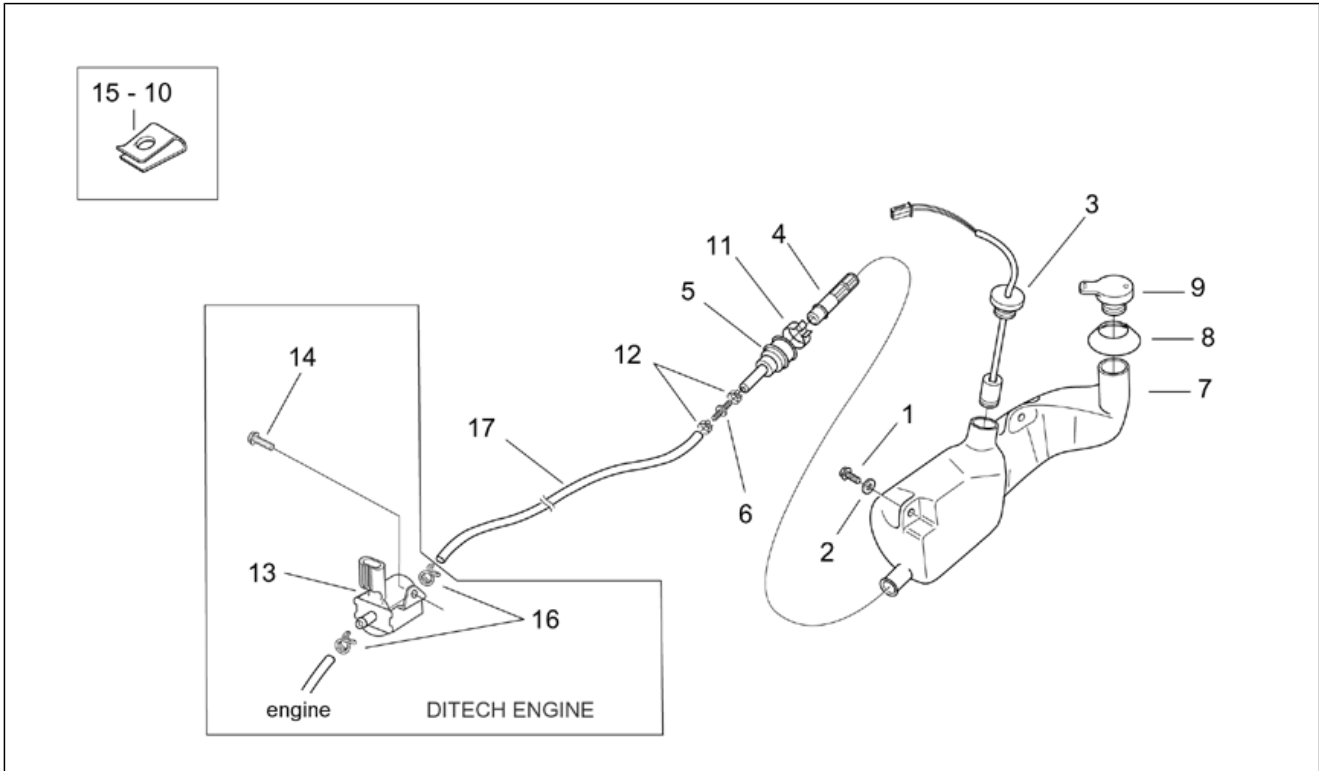


<b>Group</b>	FRAME
<b>Code</b>	28.18
<b>Description</b>	RH controls
<b>Service</b>	1



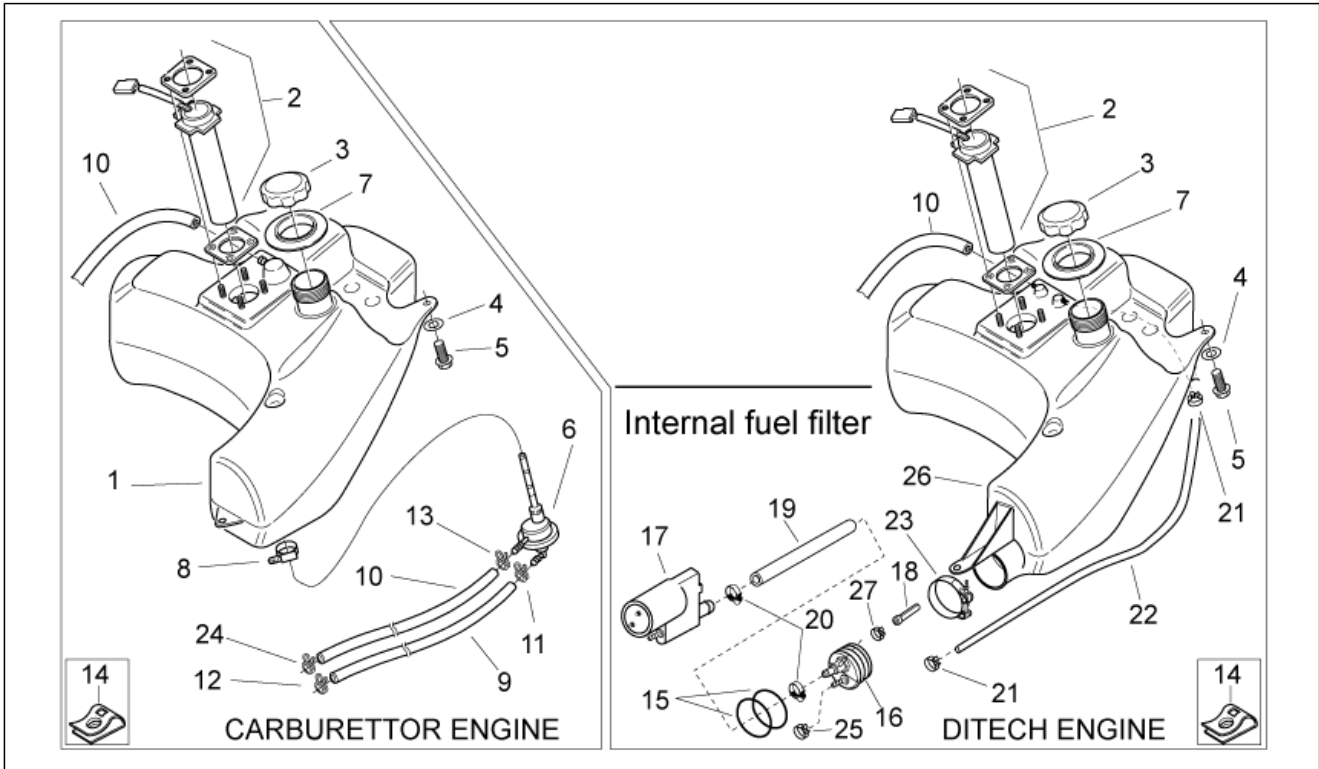
Pos.	Code	Description	Qty	Variants
1	AP8213484	Front master cilinder d12	1	
2	AP8218549	Brake lever, black	1	
3	AP8125757	Lever screw	1	
4	AP8213272	Tank cover	1	
5	AP8213298	Nut	1	
6	AP8113414	Master cyl.level window	1	
7	AP8113637	Brake lever U-bolt	1	
8	AP8213299	Cap screw	2	
9	AP8214202	Throttle cable	1	<b>Technical Specifications:</b> "DITECH" engine with direct fuel injection[ie]
9	AP8214203	Throttle cable	1	<b>Technical Specifications:</b> Engine with carburettor[carb]
10	AP8218331	Throttle w/out hand grip	1	
11	AP8213375	Pump revision kit	1	
12	AP8218265	Handgrip pair, grey	1	
12	AP8218275	Handgrip pair, black	1	
13	AP8213400	Pump cover screw	2	
14	AP8113861	Piston assy	1	

<b>Group</b>	FRAME
<b>Code</b>	28.19
<b>Description</b>	Oil tank
<b>Service</b>	1



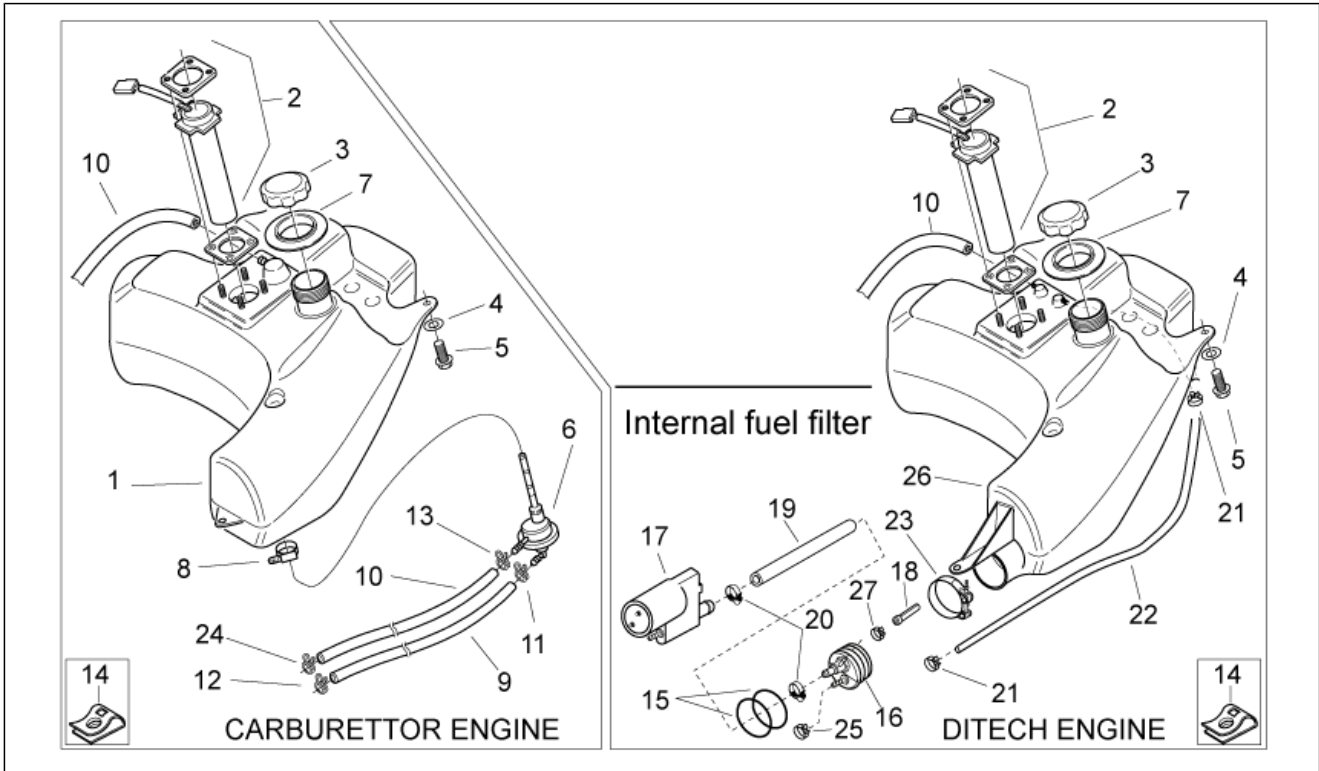
Pos.	Code	Description	Qty	Variants
1	AP8152279	Screw w/ flange M6x20	2	
2	AP8150015	Washer 6,6x18x1,6*	2	
3	AP8124811	Oil reserve indicator	1	
4	AP8102224	Mixer oil filter	1	
5	AP8102223	Rubber spacer *	1	
6	AP8101944	2-way union	1	
7	AP8238433	Oil tank	1	
8	AP8220195	Oil seal	1	
9	AP8220421	Oil filler cap	1	
10	AP8102376	Clip M6	2	
11	AP8101743	Hose clip D23,5x8*	1	
12	AP8101770	Hose clip D8x5,5*	2	
13	AP8222708	Oil pump	1	<b>Technical Specifications:</b> "DITECH" engine with direct fuel injection[ie]
14	AP8152272	Screw w/ flange M5x12	1	<b>Technical Specifications:</b> "DITECH" engine with direct fuel injection[ie]
15	AP8102375	Clip m5	1	<b>Technical Specifications:</b> "DITECH" engine with direct fuel injection[ie]
16	AP8101770	Hose clip D8x5,5*	2	<b>Technical Specifications:</b> "DITECH" engine with direct fuel injection[ie]
17	AP8220402	pipe 5x9	1	

<b>Group</b>	FRAME
<b>Code</b>	28.20
<b>Description</b>	Fuel tank
<b>Service</b>	1



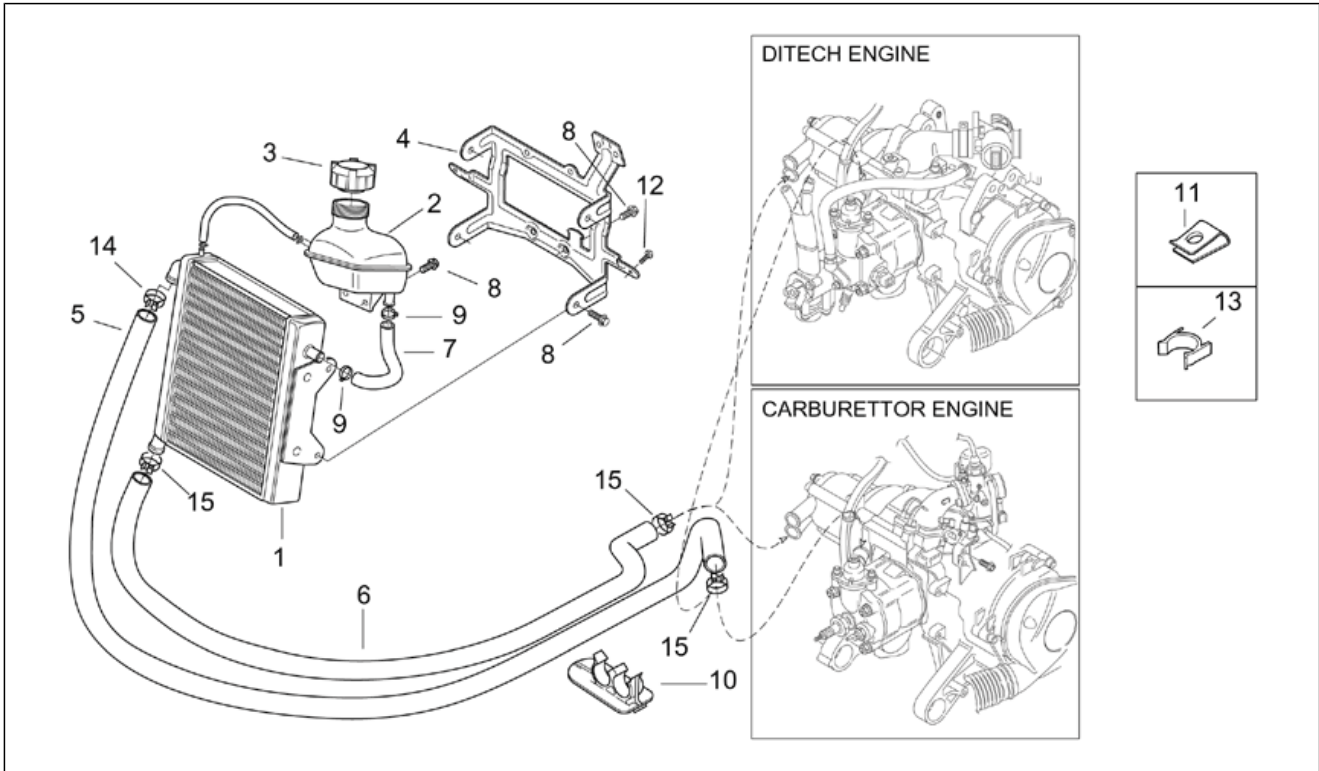
Pos.	Code	Description	Qty	Variants
1	AP8239471	Fuel tank	1	<b>Technical Specifications:</b> Engine with carburettor[carb]
2	AP8124814	Fuel level sensor	1	
3	AP8201757	Fuel filler cap	1	
4	AP8150015	Washer 6,6x18x1,6*	3	
5	AP8152279	Screw w/ flange M6x20	3	
6	AP8201824	Vacuum fuel tap	1	<b>Technical Specifications:</b> Engine with carburettor[carb]
7	AP8220472	Filler cap rubber	1	
8	AP8101573	Hose clamp D16-24x8*	1	<b>Technical Specifications:</b> Engine with carburettor[carb]
9	AP8120952	Fuel pipe 5,5x10	1	<b>Technical Specifications:</b> Engine with carburettor[carb]
10	AP8220263	Breather pipe 4x8	1	
11	AP8101595	Hose clamp D10,1	1	<b>Technical Specifications:</b> Engine with carburettor[carb]
12	AP8102811	Hose clamp D9,6	1	<b>Technical Specifications:</b> Engine with carburettor[carb]
13	AP8102377	Hose clamp D9,1*	1	<b>Technical Specifications:</b> Engine with carburettor[carb]
14	AP8102376	Clip M6	2	
15	AP8220596	O-ring 37,69x3,53	2	<b>Technical Specifications:</b> "DITECH" engine with direct fuel injection[ie]
16	AP8276065	Fuel tank flange	1	<b>Technical Specifications:</b> "DITECH" engine with direct fuel injection[ie]
17	854933	Fuel pump	1	<b>Technical Specifications:</b> "DITECH" engine with direct fuel injection[ie], Single fuel pump[single]
17	AP8176137	Fuel pump cpl.	1	<b>Technical Specifications:</b> "DITECH" engine with direct fuel injection[ie], Warranties fuel pump kit[warr]
18	AP8202436	Fuel filter kit	1	<b>Technical Specifications:</b> "DITECH" engine with direct fuel injection[ie]
19	AP8220597	Fuel pipe	1	<b>Technical Specifications:</b> 60mm Lenght[60mm], "DITECH" engine with direct fuel injection[ie]
20	AP8102273	Hose clip	4	<b>Technical Specifications:</b> "DITECH" engine with direct fuel injection[ie]
21	AP8201225	Hose clip D8,5x5,5	2	<b>Technical Specifications:</b> "DITECH" engine with direct fuel injection[ie]

<b>Group</b>	FRAME
<b>Code</b>	28.20
<b>Description</b>	Fuel tank
<b>Service</b>	1



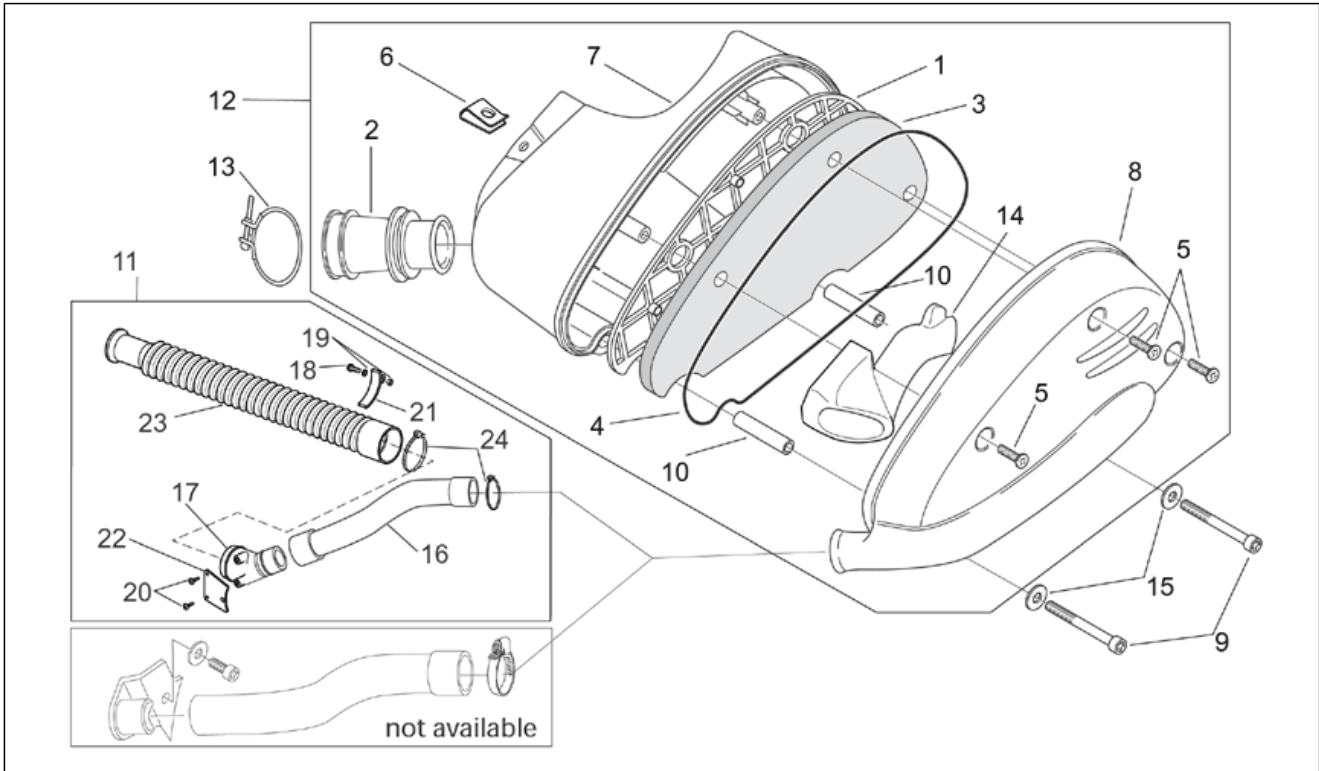
Pos.	Code	Description	Qty	Variants
22	AP8220598	Breather pipe	1	<b>Technical Specifications:</b> "DITECH" engine with direct fuel injection[ie]
23	AP8258059	Flange closing	1	<b>Technical Specifications:</b> "DITECH" engine with direct fuel injection[ie]
24	AP8120179	Hose clamp D8	1	<b>Technical Specifications:</b> Engine with carburettor[carb]
25	AP8102764	White hose clip d.13x6	1	<b>Technical Specifications:</b> "DITECH" engine with direct fuel injection[ie]
26	AP8249300	Fuel tank	1	<b>Technical Specifications:</b> "DITECH" engine with direct fuel injection[ie]
27	AP8102349	White hose clip D17,5x8	1	<b>Technical Specifications:</b> "DITECH" engine with direct fuel injection[ie]

<b>Group</b>	FRAME
<b>Code</b>	28.21
<b>Description</b>	Cooling system
<b>Service</b>	1



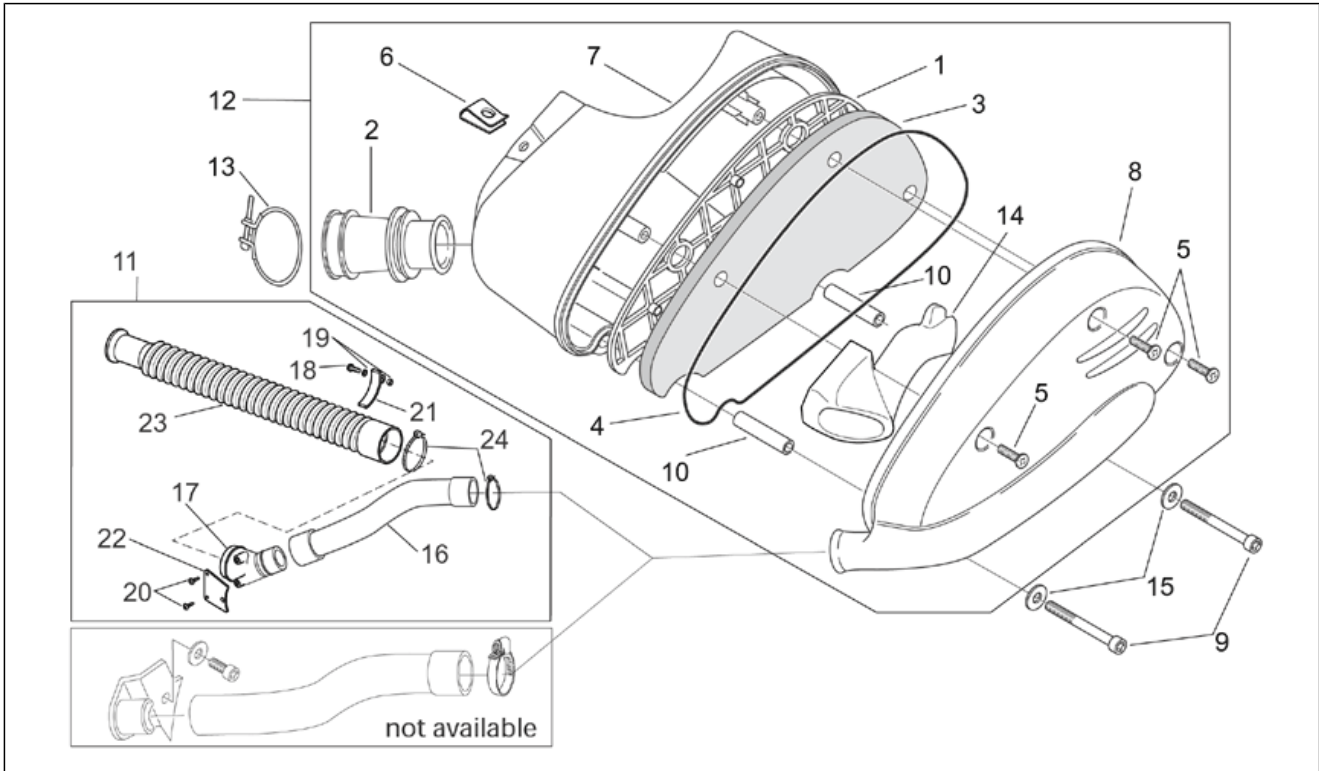
Pos.	Code	Description	Qty	Variants
1	AP8201695	Water cooler, black	1	
1	AP8202212	Water cooler, aluminium	1	
2	AP8238750	Expansion tank	1	
3	AP8101912	Rad cap no vent	1	
4	AP8232941	Water cooler support	1	
5	AP8220565	Water cooler-head tube	1	
6	AP8220578	Water cooler-pump tube	1	
7	AP8220474	Exp.tnk-rad. Hose	1	
8	AP8152278	Screw w/ flange M6x16	6	
9	AP8102765	White hose clip D.13,5x6	2	
10	AP8238769	Water tubes holder	1	
11	AP8102376	Clip M6	7	
12	AP8152246	Screw w/ flange M6x16	1	
13	AP8201807	Cable-guide D22	2	
14	AP8101573	Hose clamp D16-24x8*	1	
15	AP8102732	Hose clamp 17-25	2	

<b>Group</b>	FRAME
<b>Code</b>	28.22
<b>Description</b>	Air box
<b>Service</b>	1



Pos.	Code	Description	Qty	Variants
1	AP8249582	Filter support guard	1	
2	AP8220587	Carburettor flange	1	
3	AP8202204	Air filter	1	<b>Year:</b> 2000[Y] <b>Technical Specifications:</b> Full Power Version[fp], "DITECH" engine with direct fuel injection[ie]
3	AP8202204	Air filter	1	<b>Year:</b> 2001[1] <b>Technical Specifications:</b> Engine with carburettor[carb]
3	AP8202204	Air filter	1	<b>Year:</b> 2001[1] <b>Country:</b> Austria[A], Australia[AA], Australia[AUS], Belgium[B], Switzerland[CH], Germany[D], Denmark[DK], Spain[E], A, B, CH, D, DK, E, F, I, NL, P, UK[EU], France[F], Italy[I], Japan[J], Japan[JJ], Holland[NL], Portugal[P], Great Britain[UK] <b>Technical Specifications:</b> Full Power Version[fp], "DITECH" engine with direct fuel injection[ie]
3	AP8202281	Air filter	1	<b>Year:</b> 2000[Y] <b>Technical Specifications:</b> Version 25 Kw[25k], "DITECH" engine with direct fuel injection[ie]
3	AP8202281	Air filter	1	<b>Year:</b> 2001[1] <b>Country:</b> United States of America[AM], United States of America[USA] <b>Technical Specifications:</b> "DITECH" engine with direct fuel injection[ie]
3	AP8202281	Air filter	1	<b>Year:</b> 2001[1] <b>Technical Specifications:</b> Engine with carburettor[carb]
3	AP8202281	Air filter	1	<b>Year:</b> 2000[Y] <b>Technical Specifications:</b> Full Power Version[fp], "DITECH" engine with direct fuel injection[ie]
3	AP8202281	Air filter	1	<b>Year:</b> 2001[1] <b>Country:</b> Austria[A], Australia[AA], Australia[AUS], Belgium[B], Switzerland[CH], Germany[D], Denmark[DK], Spain[E], A, B, CH, D, DK, E, F, I, NL, P, UK[EU], France[F], Italy[I], Japan[J], Japan[JJ], Holland[NL], Portugal[P], Great Britain[UK]

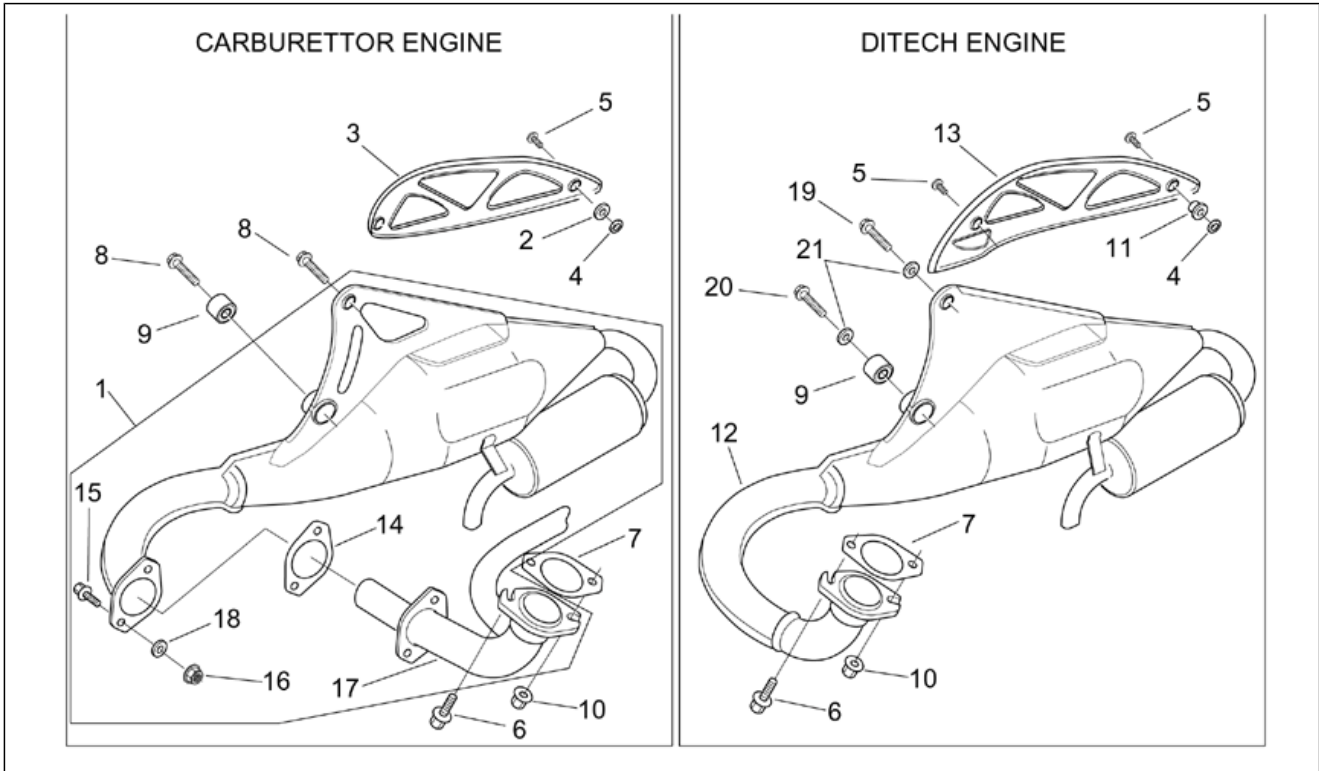
<b>Group</b>	FRAME
<b>Code</b>	28.22
<b>Description</b>	Air box
<b>Service</b>	1



Pos.	Code	Description	Qty	Variants
				<b>Technical Specifications:</b> Full Power Version[fp], "DITECH" engine with direct fuel injection[ie]
3	AP8202281	Air filter	1	<b>Year:</b> 2002[2], 2003[3], 2004[4]
3	AP8202281	Air filter	1	<b>Year:</b> 2001[1] <b>Country:</b> Belgium[B], Germany[D], Denmark[DK], A, B, CH, D, DK, E, F, I, NL, P, UK[EU], Holland[NL] <b>Technical Specifications:</b> Version 25 Kw[25k], "DITECH" engine with direct fuel injection[ie]
4	AP8120593	Gasket D4	1	
5	AP8152329	Phillips screw, SWP M5x20	3	
6	AP8102375	Clip m5	1	
7	AP8249298	Filter housing body	1	
8	AP8249299	Filter housing cover	1	
9	AP8150157	Hex socket screw M6x60	2	
10	AP8121984	Spacer	2	
11	AP8202280	Air intake kit	1	
12	AP8249956	Air box cpl.	1	
13	AP8201799	Hose collar	1	
14	AP8220588	Volume air box hose	1	
15	AP8152181	Washer 6,4x15x1	2	
16	AP8220603	Intake hose	1	
17	AP8220604	Joint	1	
18	AP8152274	Screw w/ flange M5x20	1	
19	AP8152306	Self-locking nut m5	1	
20	AP8150413	Self-tap screw 3,9x14	2	
21	AP8234200	Pipe cover	1	
22	AP8234199	Pipe support	1	
23	AP8220605	Pipe	1	
24	AP8120416	Black hose 178x4	2	



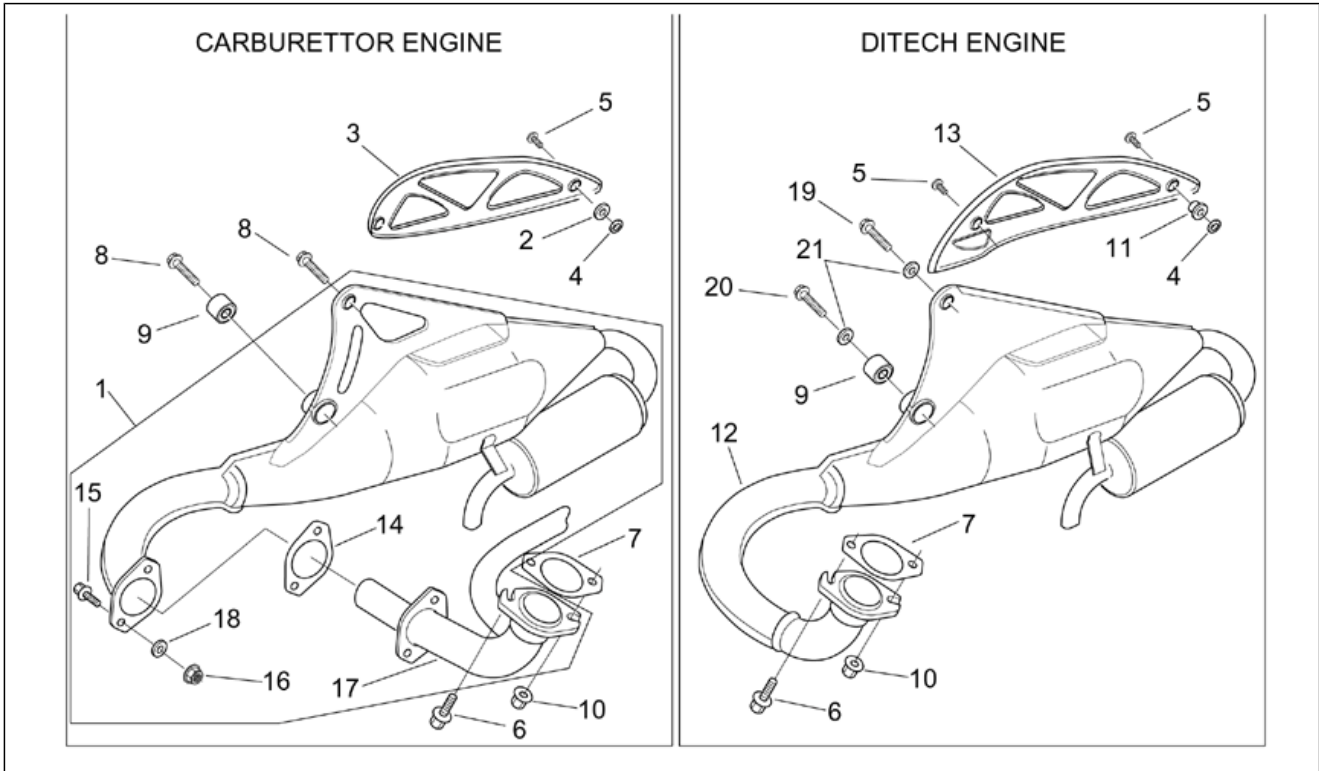
<b>Group</b>	FRAME
<b>Code</b>	28.25
<b>Description</b>	Exhaust pipe
<b>Service</b>	1



Pos.	Code	Description	Qty	Variants
1	AP8219498	Cat.exhaust pipe	1	<b>Country:</b> Austria[A], Belgium[B], Germany[D], Denmark[DK], Spain[E], France[F], Greece[GR], Italy[I], Japan[J], Holland[NL], Portugal[P], Great Britain[UK] <b>Technical Specifications:</b> Engine with carburettor[carb]
1	AP8219516	Cat.exhaust pipe	1	<b>Country:</b> Switzerland[CH] <b>Technical Specifications:</b> Engine with carburettor[carb]
2	AP8150015	Washer 6,6x18x1,6*	2	<b>Technical Specifications:</b> Engine with carburettor[carb]
3	AP8219452	Steel exhaust pipe prot.	1	<b>Technical Specifications:</b> Engine with carburettor[carb]
4	AP8221297	Insulating washer	2	
5	AP8152246	Screw w/ flange M6x16	2	
6	AP8152260	Screw w/ flange	1	
7	AP8219212	Exhaust pipe gasket	1	
8	AP8152289	Screw w/ flange	2	<b>Technical Specifications:</b> Engine with carburettor[carb]
9	AP8220357	Silent block, exhaust pipe	1	
10	AP8150333	Serpress nut	1	
11	AP8121075	T bush *	2	<b>Technical Specifications:</b> "DITECH" engine with direct fuel injection[ie]
12	AP8219535	Silencer	1	<b>Country:</b> Austria[A], Australia[AA], Australia[AUS], Belgium[B], Switzerland[CH], Germany[D], Denmark[DK], Spain[E], A, B, CH, D, DK, E, F, I, NL, P, UK[EU], France[F], Italy[I], Japan[J], Japan[JJ], Holland[NL], Portugal[P], Great Britain[UK] <b>Technical Specifications:</b> Spare part with EURO1 omologation[E1], "DITECH" engine with direct fuel injection[ie]
12	AP8219540	Silencer	1	<b>Country:</b> United States of America[AM], Canadian[CA], Canadian[CN], United States of America[USA] <b>Technical Specifications:</b> "DITECH" engine with direct fuel injection[ie]
12	AP8219543	Silencer	1	<b>Country:</b> Austria[A], Australia[AA], Australia[AUS], Belgium[B], Switzerland[CH], Germany[D], Denmark[DK], Spain[E], A, B, CH, D, DK, E, F, I, NL, P, UK[EU], France[F],

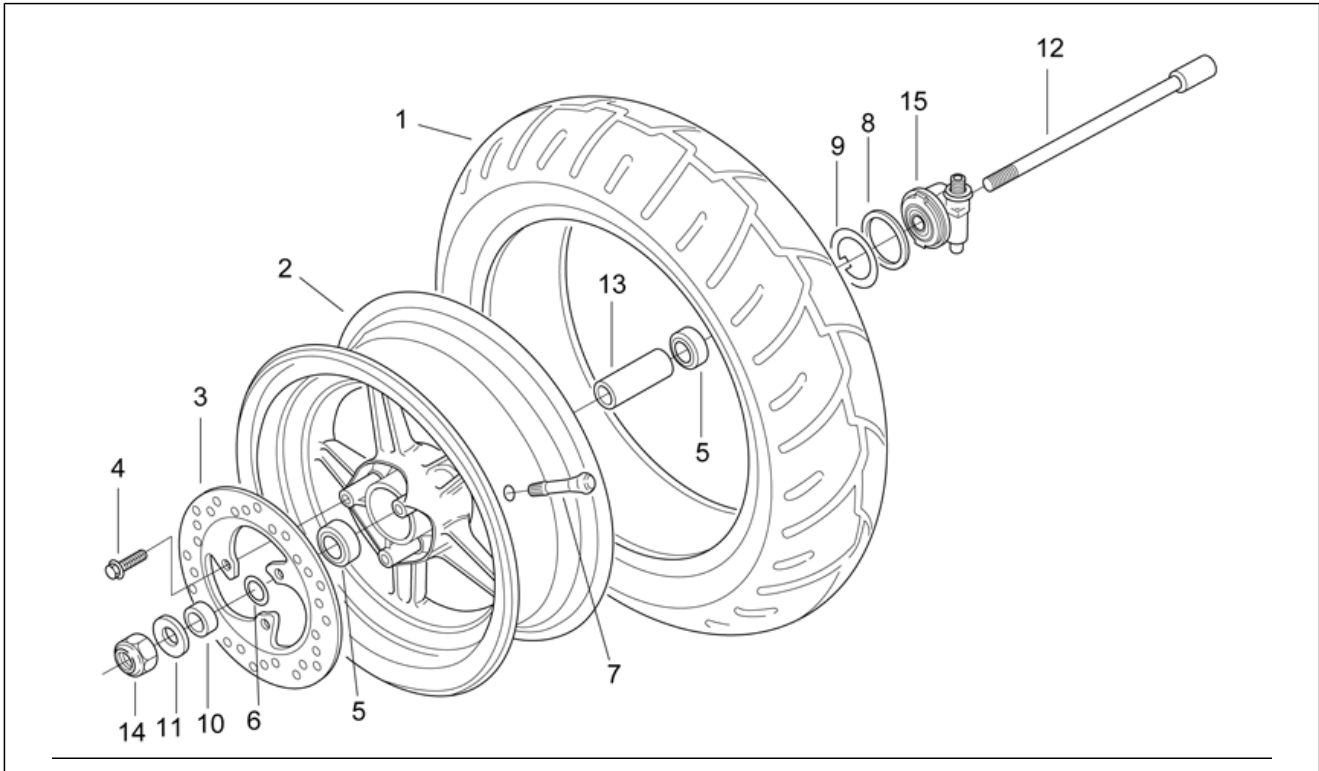


<b>Group</b>	FRAME
<b>Code</b>	28.25
<b>Description</b>	Exhaust pipe
<b>Service</b>	1



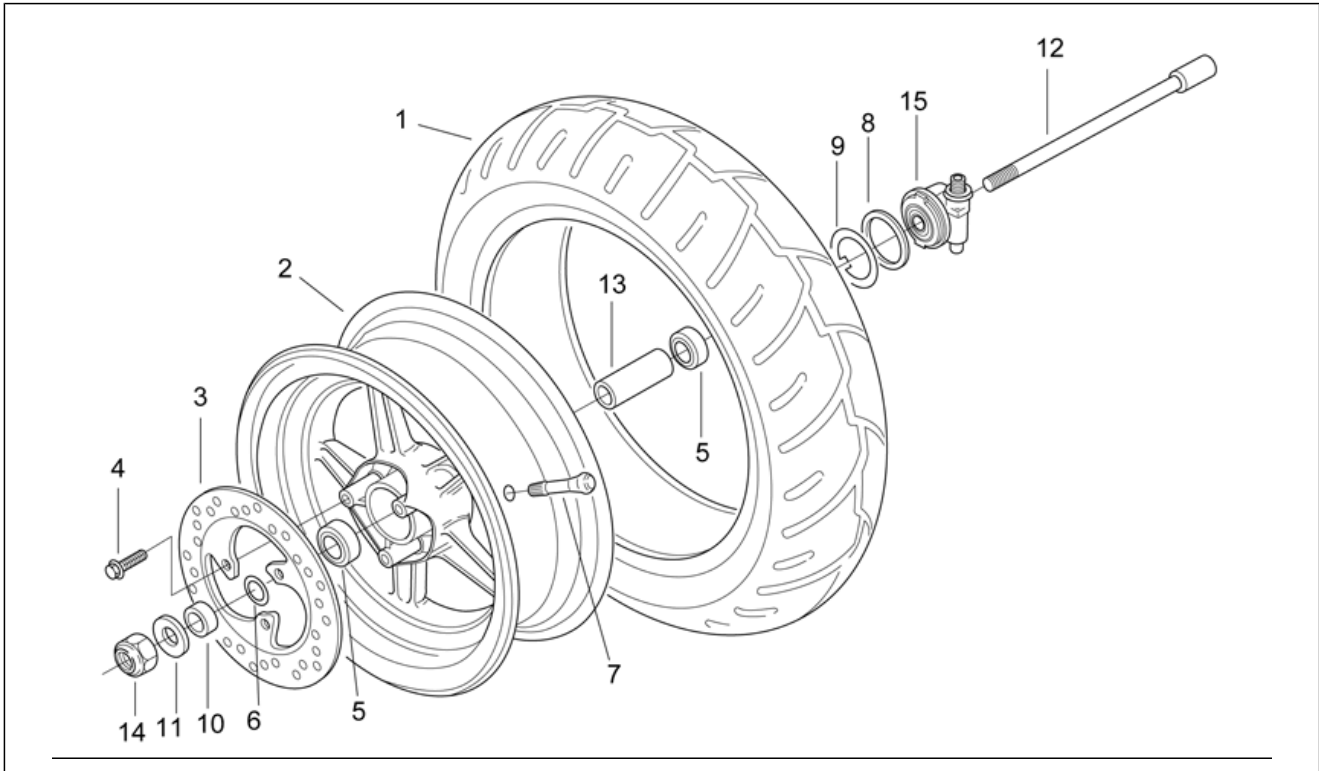
Pos.	Code	Description	Qty	Variants
				Italy[I], Japan[J], Japan[JJ], Holland[NL], Portugal[P], Great Britain[UK] <b>Technical Specifications:</b> Spare part with EURO2 omologation[E2], "DITECH" engine with direct fuel injection[ie]
13	AP8219389	Exhaust pipe prot., black	1	<b>Technical Specifications:</b> Spare part with EURO1 omologation[E1], "DITECH" engine with direct fuel injection[ie]
13	AP8219452	Steel exhaust pipe prot.	1	<b>Technical Specifications:</b> Spare part with EURO2 omologation[E2], "DITECH" engine with direct fuel injection[ie]
14	AP8219530	Exhaust pipe flange gasket	1	<b>Technical Specifications:</b> Engine with carburettor[carb]
15	AP8219531	screw	2	<b>Technical Specifications:</b> Engine with carburettor[carb]
16	AP8219532	Nut	2	<b>Technical Specifications:</b> Engine with carburettor[carb]
17	AP8219533	Exhaust pipe leading pipe	1	<b>Technical Specifications:</b> Engine with carburettor[carb]
18	AP8219534	Washer	2	<b>Technical Specifications:</b> Engine with carburettor[carb]
19	AP8152291	Screw w/ flange	1	<b>Technical Specifications:</b> "DITECH" engine with direct fuel injection[ie]
20	AP8152290	Screw w/ flange M8x40	1	<b>Technical Specifications:</b> "DITECH" engine with direct fuel injection[ie]
21	AP8150376	Washer 8,5x15x0,8	2	<b>Technical Specifications:</b> "DITECH" engine with direct fuel injection[ie]

<b>Group</b>	FRAME
<b>Code</b>	28.26
<b>Description</b>	Front wheel
<b>Service</b>	1



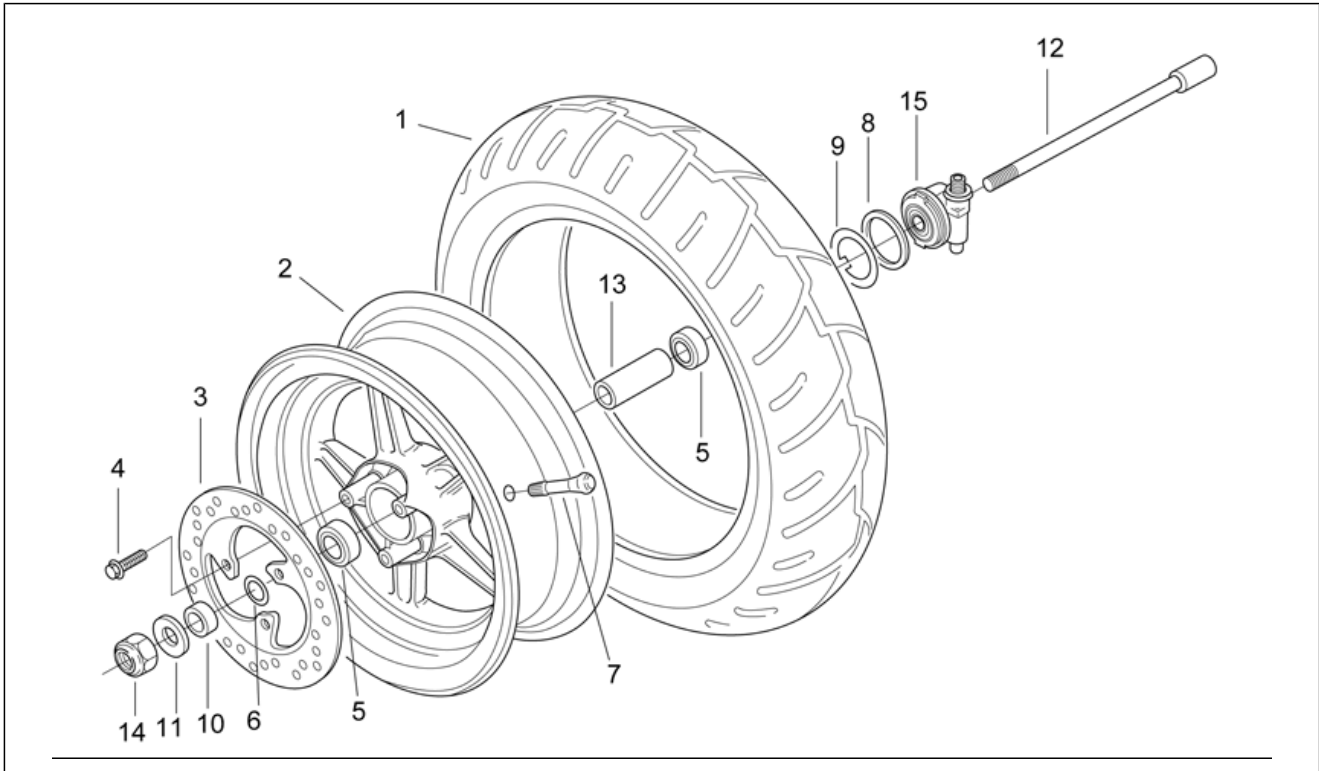
Pos.	Code	Description	Qty	Variants
1	0000000	Tyre	1	
2	AP8208705	Front wheel Grey/RifleTube	1	<b>Year:</b> 2001[1], 2000[Y] <b>Vehicle colour:</b> Electric Blue "Sport" 2000-2001[el.bl], Hot Red "Sport" 2000-2001[h.red], Lemon Yellow 2001[le.ye]
2	AP8208705	Front wheel Grey/RifleTube	1	<b>Year:</b> 2002[2], 2003[3] <b>Vehicle colour:</b> Fluo red 2003[r.flu], Silver Strained 2002[st.si]
2	AP8208708	Front wheel, blue	1	<b>Year:</b> 2002[2] <b>Vehicle colour:</b> Diablo Black 2001-2002[bl.di], Haga 2002[haga] <b>Technical Specifications:</b> Wheels with Grimeca sign[gr]
2	AP8208708	Front wheel, blue	1	<b>Year:</b> 2001[1], 2000[Y] <b>Vehicle colour:</b> Diablo Black 2001-2002[bl.di], Aprilia Black "Racing" 2000-2001[bl/re], Nik Grey "Racing" 2000-2001[gr/ye] <b>Technical Specifications:</b> Wheels with Grimeca sign[gr]
2	AP8208784	Front wheel, black	1	<b>Year:</b> 2002[2] <b>Vehicle colour:</b> Dust Grey 2002[du/gr]
2	AP8208825	Front wheel Grey/Gold Sand	1	<b>Year:</b> 2003[3] <b>Vehicle colour:</b> Red Tulip 2003[t.red] <b>Country:</b> United States of America[AM], Canadian[CA], Canadian[CN], United States of America[USA] <b>Technical Specifications:</b> Wheels with Grimeca sign[gr]
2	AP8208825	Front wheel Grey/Gold Sand	1	<b>Year:</b> 2003[3] <b>Vehicle colour:</b> Tuono 2003[tuono] <b>Country:</b> United States of America[AM], Canadian[CA], Canadian[CN], United States of America[USA] <b>Technical Specifications:</b> Wheels with Grimeca sign[gr]
2	AP8208825	Front wheel Grey/Gold Sand	1	<b>Year:</b> 2003[3] <b>Vehicle colour:</b> GP1 2003[gp1] <b>Country:</b> United States of America[AM], Canadian[CA], Canadian[CN], United States of America[USA] <b>Technical Specifications:</b> Wheels with Grimeca sign[gr]
2	AP8208825	Front wheel Grey/Gold Sand	1	<b>Year:</b> 2004[4]

<b>Group</b>	FRAME
<b>Code</b>	28.26
<b>Description</b>	Front wheel
<b>Service</b>	1



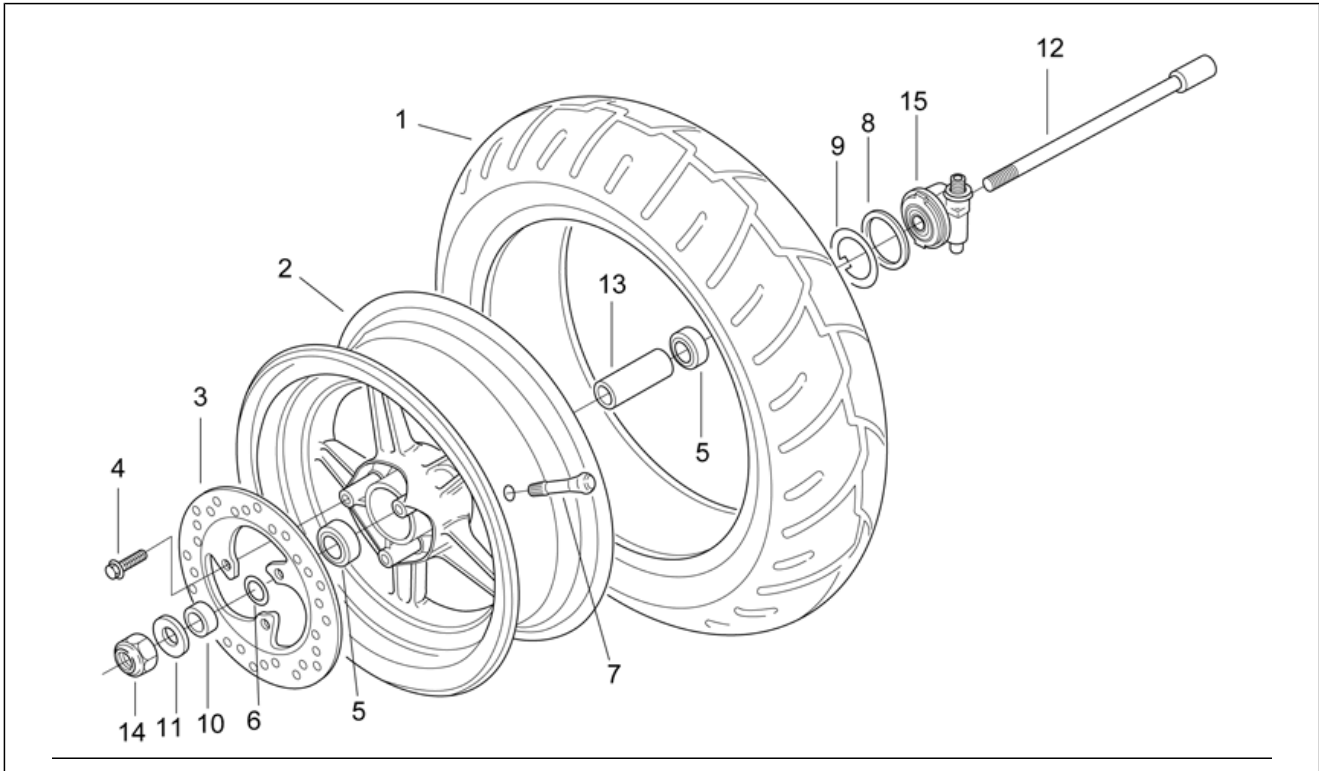
Pos.	Code	Description	Qty	Variants
				<b>Vehicle colour:</b> Fluo Red 2004[r.fluo] <b>Country:</b> United States of America[AM], Canadian[CA], Canadian[CN], United States of America[USA] <b>Technical Specifications:</b> Wheels with Grimeca sign[gr]
2	AP8208826	Front wheel Gold	1	<b>Year:</b> 2004[4] <b>Vehicle colour:</b> Poggiali White 2004[RP] <b>Country:</b> United States of America[AM], Canadian[CA], Canadian[CN], United States of America[USA] <b>Technical Specifications:</b> Wheels with Grimeca sign[gr]
2	AP8208826	Front wheel Gold	1	<b>Year:</b> 2003[3] <b>Vehicle colour:</b> SBK "Racing" 2003[sbk] <b>Country:</b> United States of America[AM], Canadian[CA], Canadian[CN], United States of America[USA] <b>Technical Specifications:</b> Wheels with Grimeca sign[gr]
2	AP8208826	Front wheel Gold	1	<b>Year:</b> 2003[3], 2004[4] <b>Vehicle colour:</b> Limited blue "Racing" 2003[b.lim] <b>Country:</b> United States of America[AM], Canadian[CA], Canadian[CN], United States of America[USA] <b>Technical Specifications:</b> Wheels with Grimeca sign[gr]
2	AP8208893	Front wheel Gold	1	<b>Year:</b> 2003[3], 2004[4] <b>Vehicle colour:</b> Limited blue "Racing" 2003[b.lim] <b>Country:</b> United States of America[AM], Canadian[CA], Canadian[CN], United States of America[USA] <b>Technical Specifications:</b> Wheels with ZNL sign[znl]
2	AP8208893	Front wheel Gold	1	<b>Year:</b> 2003[3] <b>Vehicle colour:</b> SBK "Racing" 2003[sbk] <b>Country:</b> United States of America[AM], Canadian[CA], Canadian[CN], United States of America[USA] <b>Technical Specifications:</b> Wheels with ZNL sign[znl]
2	AP8208893	Front wheel Gold	1	<b>Year:</b> 2004[4] <b>Vehicle colour:</b> Poggiali White 2004[RP] <b>Country:</b> United States of America[AM], Canadian[CA], Canadian[CN], United States of America[USA] <b>Technical Specifications:</b> Wheels with ZNL sign[znl]
2	AP8208896	Front wheel Grey/Gold Sand	1	<b>Year:</b> 2004[4]

<b>Group</b>	FRAME
<b>Code</b>	28.26
<b>Description</b>	Front wheel
<b>Service</b>	1



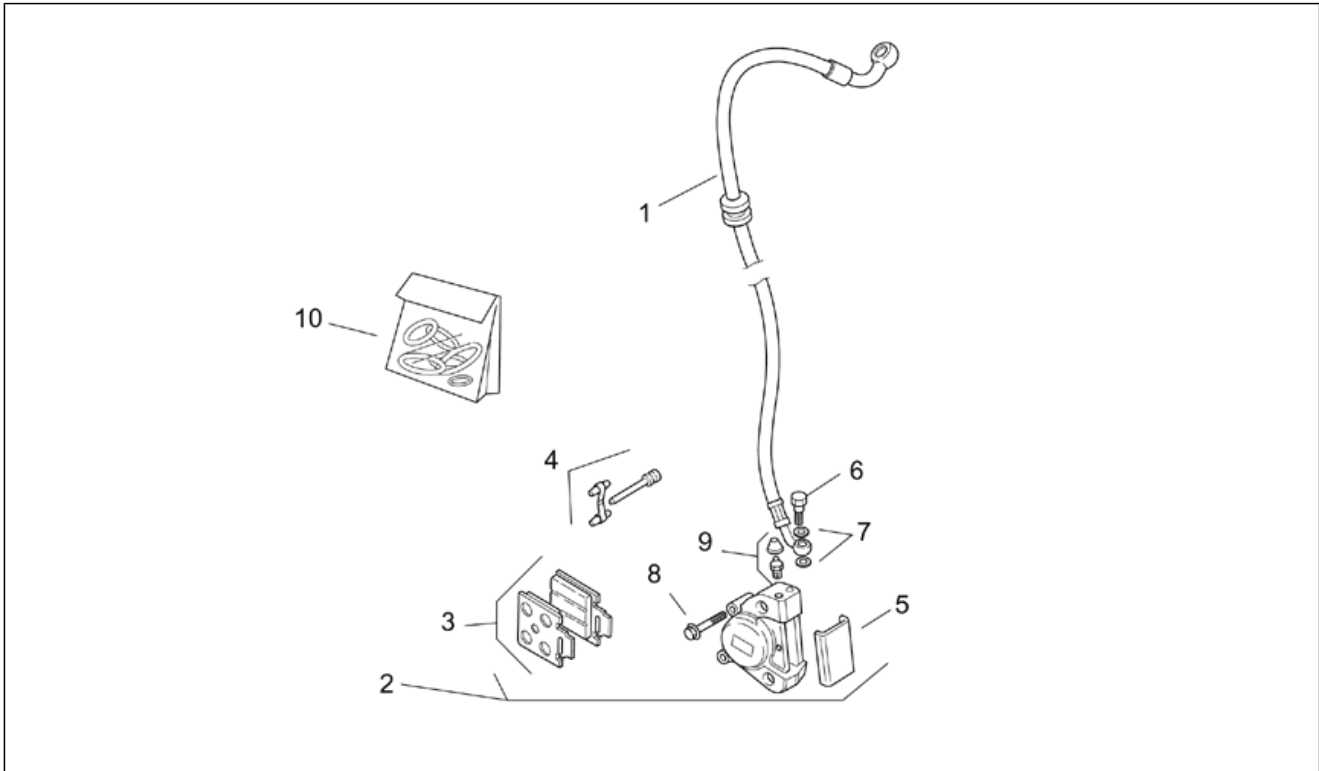
Pos.	Code	Description	Qty	Variants
				<b>Vehicle colour:</b> Fluo Red 2004[r.fluo] <b>Country:</b> United States of America[AM], Canadian[CA], Canadian[CN], United States of America[USA] <b>Technical Specifications:</b> Wheels with ZNL sign[znl]
2	AP8208896	Front wheel Grey/Gold Sand	1	<b>Year:</b> 2003[3] <b>Vehicle colour:</b> Tuono 2003[tuono] <b>Country:</b> United States of America[AM], Canadian[CA], Canadian[CN], United States of America[USA] <b>Technical Specifications:</b> Wheels with ZNL sign[znl]
2	AP8208896	Front wheel Grey/Gold Sand	1	<b>Year:</b> 2003[3] <b>Vehicle colour:</b> GP1 2003[gp1] <b>Country:</b> United States of America[AM], Canadian[CA], Canadian[CN], United States of America[USA] <b>Technical Specifications:</b> Wheels with ZNL sign[znl]
2	AP8208896	Front wheel Grey/Gold Sand	1	<b>Year:</b> 2003[3] <b>Vehicle colour:</b> Red Tulip 2003[t.red] <b>Country:</b> United States of America[AM], Canadian[CA], Canadian[CN], United States of America[USA] <b>Technical Specifications:</b> Wheels with ZNL sign[znl]
2	AP8208908	Front wheel, blue	1	<b>Year:</b> 2002[2] <b>Vehicle colour:</b> Diablo Black 2001-2002[bl.di], Haga 2002[haga] <b>Technical Specifications:</b> Wheels with ZNL sign[znl]
2	AP8208908	Front wheel, blue	1	<b>Year:</b> 2001[1], 2000[Y] <b>Vehicle colour:</b> Diablo Black 2001-2002[bl.di], Aprilia Black "Racing" 2000-2001[bl/re], Nik Grey "Racing" 2000-2001[gr/ye] <b>Technical Specifications:</b> Wheels with ZNL sign[znl]
3	AP8213231	Brake disc D190	1	
4	AP8225358	Hex socket screw M8x25	3	
5	AP8225123	Bearing	2	
6	AP8125782	Gasket ring	1	
7	AP8201546	Tubeless tyre valve	1	
8	AP8120864	O-ring	1	

<b>Group</b>	FRAME
<b>Code</b>	28.26
<b>Description</b>	Front wheel
<b>Service</b>	1



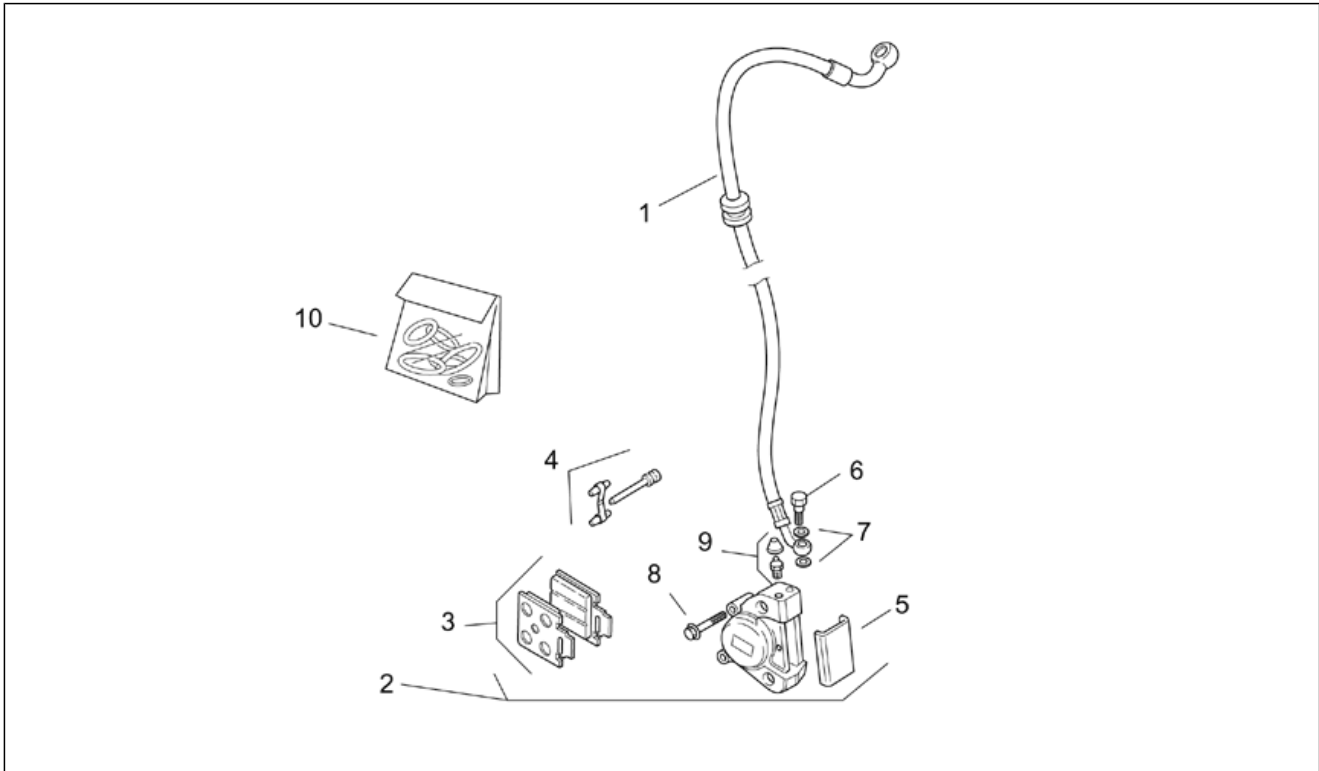
Pos.	Code	Description	Qty	Variants
9	AP8120865	Drive key	1	
10	AP8221119	Front wheel spacer	1	
11	AP8152018	Washer 12,2x22x2	1	
12	AP8225271	Front wheel spindle	1	
13	AP8225323	Front wheel ins.spacer	1	
14	AP8150373	Low self-locking nut M12x1,25	1	
15	AP8201925	Odometer gear	1	

<b>Group</b>	FRAME
<b>Code</b>	28.27
<b>Description</b>	Front brake caliper
<b>Service</b>	1



Pos.	Code	Description	Qty	Variants
1	AP8213248	Front brake hose	1	
2	AP8113577	Front brake caliper, gold D32	1	<b>Year:</b> 2002[2] <b>Vehicle colour:</b> Diablo Black 2001-2002[bl.di], Dust Grey 2002[du/gr], Haga 2002[haga] <b>Technical Specifications:</b> "Aprilia" caliper[Ap]
2	AP8113577	Front brake caliper, gold D32	1	<b>Year:</b> 2001[1], 2000[Y] <b>Vehicle colour:</b> Diablo Black 2001-2002[bl.di], Aprilia Black "Racing" 2000-2001[bl/re], Nik Grey "Racing" 2000-2001[gr/ye] <b>Technical Specifications:</b> "Aprilia" caliper[Ap]
2	AP8113577	Front brake caliper, gold D32	1	<b>Year:</b> 2003[3], 2004[4] <b>Vehicle colour:</b> Limited blue "Racing" 2003[b.lim] <b>Country:</b> United States of America[AM], Canadian[CA], Canadian[CN], United States of America[USA] <b>Technical Specifications:</b> "Aprilia" caliper[Ap]
2	AP8113577	Front brake caliper, gold D32	1	<b>Year:</b> 2003[3] <b>Vehicle colour:</b> GP1 2003[gp1] <b>Country:</b> United States of America[AM], Canadian[CA], Canadian[CN], United States of America[USA] <b>Technical Specifications:</b> "Aprilia" caliper[Ap]
2	AP8113577	Front brake caliper, gold D32	1	<b>Year:</b> 2003[3] <b>Vehicle colour:</b> SBK "Racing" 2003[sbk] <b>Country:</b> United States of America[AM], Canadian[CA], Canadian[CN], United States of America[USA] <b>Technical Specifications:</b> "Aprilia" caliper[Ap]
2	AP8113577	Front brake caliper, gold D32	1	<b>Year:</b> 2003[3] <b>Vehicle colour:</b> Red Tulip 2003[t.red] <b>Country:</b> United States of America[AM], Canadian[CA], Canadian[CN], United States of America[USA] <b>Technical Specifications:</b> "Aprilia" caliper[Ap]
2	AP8113577	Front brake caliper, gold D32	1	<b>Year:</b> 2003[3] <b>Vehicle colour:</b> Tuono 2003[tuono] <b>Country:</b> United States of America[AM], Canadian[CA], Canadian[CN], United States of America[USA] <b>Technical Specifications:</b> "Aprilia" caliper[Ap]

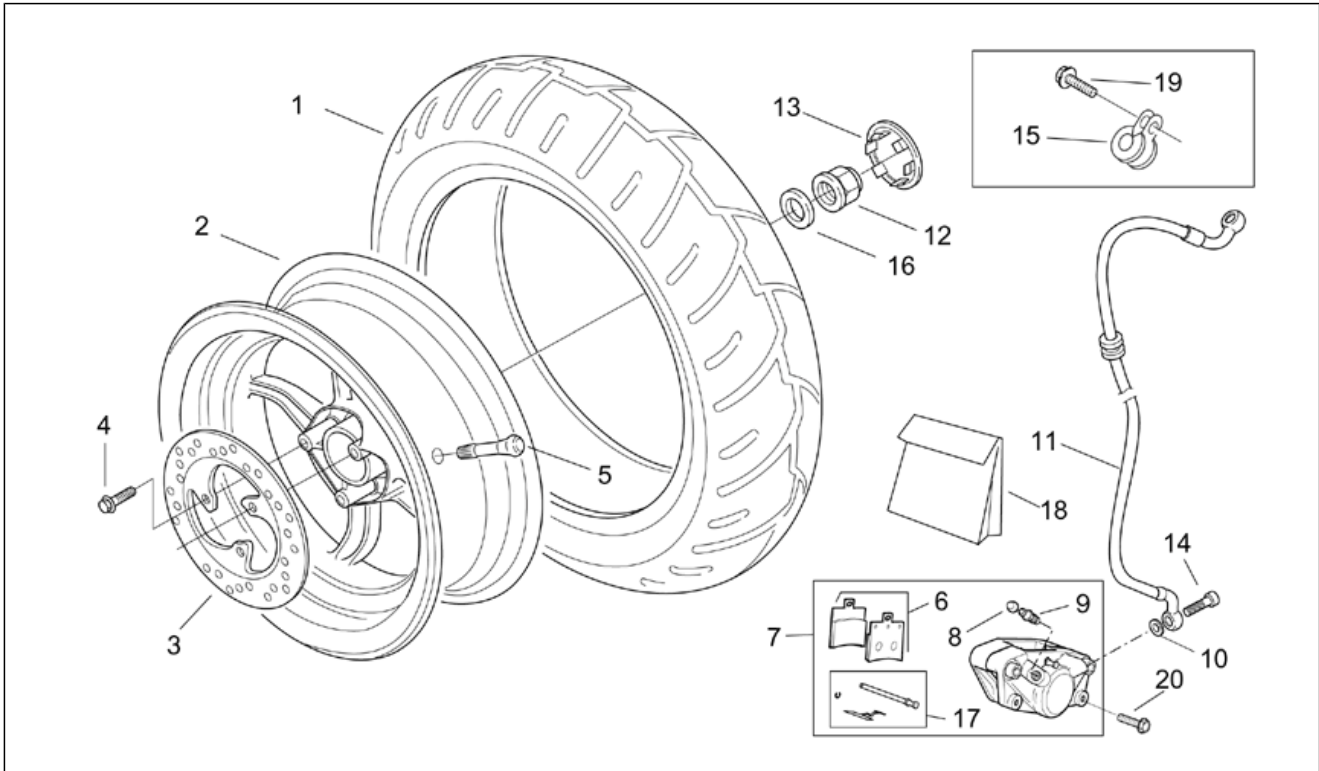
<b>Group</b>	FRAME
<b>Code</b>	28.27
<b>Description</b>	Front brake caliper
<b>Service</b>	1



Pos.	Code	Description	Qty	Variants
2	AP8113577	Front brake caliper, gold D32	1	Year:2004[4] Vehicle colour:Fluo Red 2004[r.fluo], Poggiali White 2004[RP] Country:United States of America[AM], Canadian[CA], Canadian[CN], United States of America[USA] Technical Specifications:"Aprilia" caliper[Ap]
2	AP8213213	Front brake caliper, black	1	Technical Specifications:"Brembo" caliper[Br]
2	AP8213482	Front brake caliper, black D32	1	Year:2001[1], 2000[Y] Vehicle colour:Electric Blue "Sport" 2000-2001[el.bl], Hot Red "Sport" 2000-2001[h.red], Lemon Yellow 2001[le.ye] Technical Specifications:"Aprilia" caliper[Ap]
2	AP8213482	Front brake caliper, black D32	1	Year:2002[2] Vehicle colour:Silver Strained 2002[st.si] Technical Specifications:"Aprilia" caliper[Ap]
3	AP8113638	Pads pair	1	Technical Specifications:"Aprilia" caliper[Ap]
3	AP8213246	Pads (pair)	1	Technical Specifications:"Brembo" caliper[Br]
4	AP8213198	Brake caliper pin	1	Technical Specifications:"Brembo" caliper[Br]
4	AP8213227	Pin+Brake spring	1	Technical Specifications:"Aprilia" caliper[Ap]
5	AP8113640	Brake caliper cover	1	Technical Specifications:"Aprilia" caliper[Ap]
5	AP8213199	Brake caliper cover	1	Technical Specifications:"Brembo" caliper[Br]
6	AP8113003	Oil pipe screw *	1	
7	AP8113004	Washer 10x14x1,6*	2	
8	AP8152289	Screw w/ flange	2	
9	AP8113006	Air bleed valve	1	Technical Specifications:"Aprilia" caliper[Ap]
9	AP8113549	Air bleed valve	1	Technical Specifications:"Brembo" caliper[Br]
10	AP8113122	Brake caliper rev. kit	1	Technical Specifications:"Aprilia" caliper[Ap]



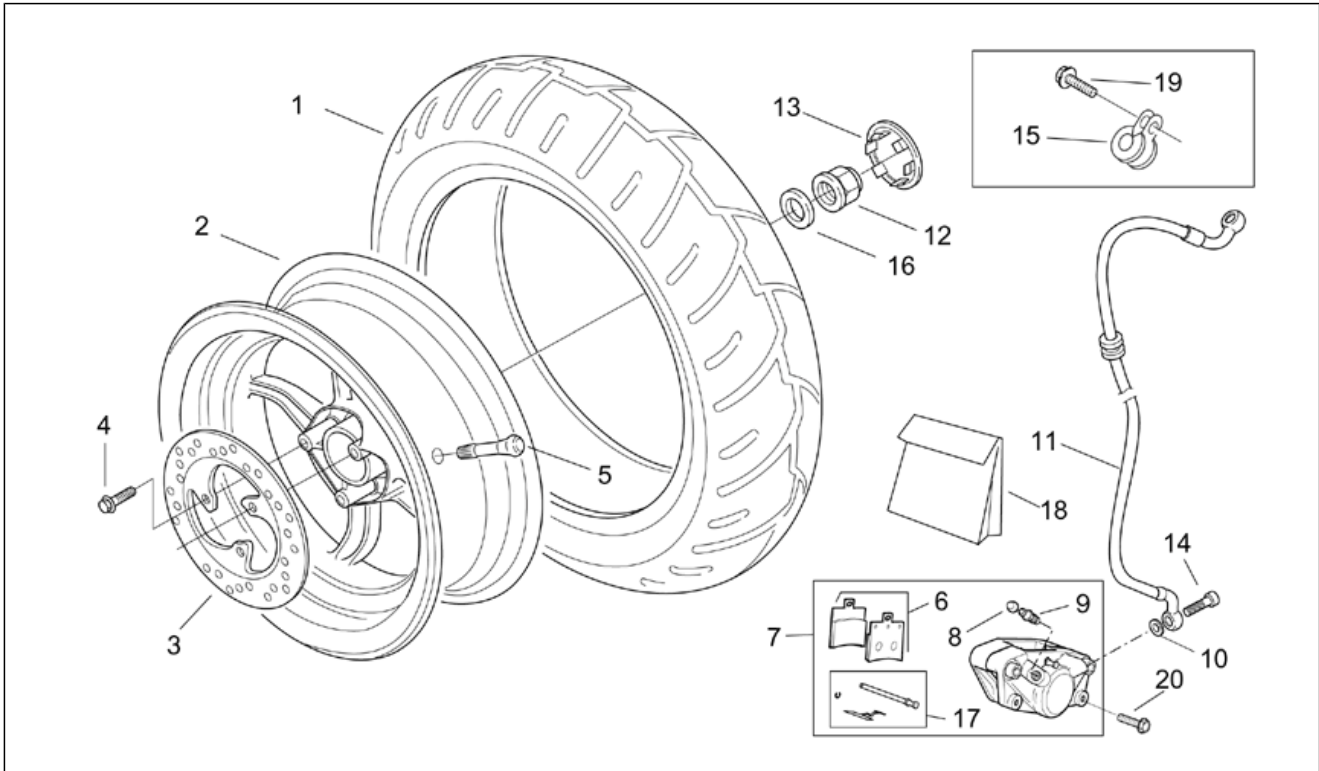
<b>Group</b>	FRAME
<b>Code</b>	28.28
<b>Description</b>	Rear wheel - disc brake
<b>Service</b>	1



Pos.	Code	Description	Qty	Variants
1	0000000	Tyre	1	<b>Technical Specifications:</b> Rear disc brake[f.d.]
2	AP8208709	Rear wheel, blue	1	<b>Year:</b> 2001[1], 2000[Y] <b>Vehicle colour:</b> Diablo Black 2001-2002[bl.di], Aprilia Black "Racing" 2000-2001[bl/re], Nik Grey "Racing" 2000-2001[gr/ye] <b>Technical Specifications:</b> Rear disc brake[f.d.], Wheels with Grimeca sign[gr]
2	AP8208709	Rear wheel, blue	1	<b>Year:</b> 2002[2] <b>Vehicle colour:</b> Diablo Black 2001-2002[bl.di], Haga 2002[haga] <b>Technical Specifications:</b> Rear disc brake[f.d.], Wheels with Grimeca sign[gr]
2	AP8208710	Rear wheel, grey	1	<b>Year:</b> 2001[1], 2000[Y] <b>Vehicle colour:</b> Electric Blue "Sport" 2000-2001[el.bl], Hot Red "Sport" 2000-2001[h.red], Lemon Yellow 2001[le.ye] <b>Technical Specifications:</b> Rear disc brake[f.d.]
2	AP8208785	Rear wheel, black	1	<b>Year:</b> 2002[2] <b>Vehicle colour:</b> Dust Grey 2002[du/gr] <b>Technical Specifications:</b> Rear disc brake[f.d.]
2	AP8208827	Rear wheel Grey/GoldSand	1	<b>Year:</b> 2003[3] <b>Vehicle colour:</b> GP1 2003[gp1] <b>Country:</b> United States of America[AM], Canadian[CA], Canadian[CN], United States of America[USA] <b>Technical Specifications:</b> Rear disc brake[f.d.], Wheels with Grimeca sign[gr]
2	AP8208827	Rear wheel Grey/GoldSand	1	<b>Year:</b> 2003[3] <b>Vehicle colour:</b> Red Tulip 2003[t.red] <b>Country:</b> United States of America[AM], Canadian[CA], Canadian[CN], United States of America[USA] <b>Technical Specifications:</b> Rear disc brake[f.d.], Wheels with Grimeca sign[gr]
2	AP8208827	Rear wheel Grey/GoldSand	1	<b>Year:</b> 2003[3] <b>Vehicle colour:</b> Tuono 2003[tuono] <b>Country:</b> United States of America[AM], Canadian[CA], Canadian[CN], United States of America[USA]

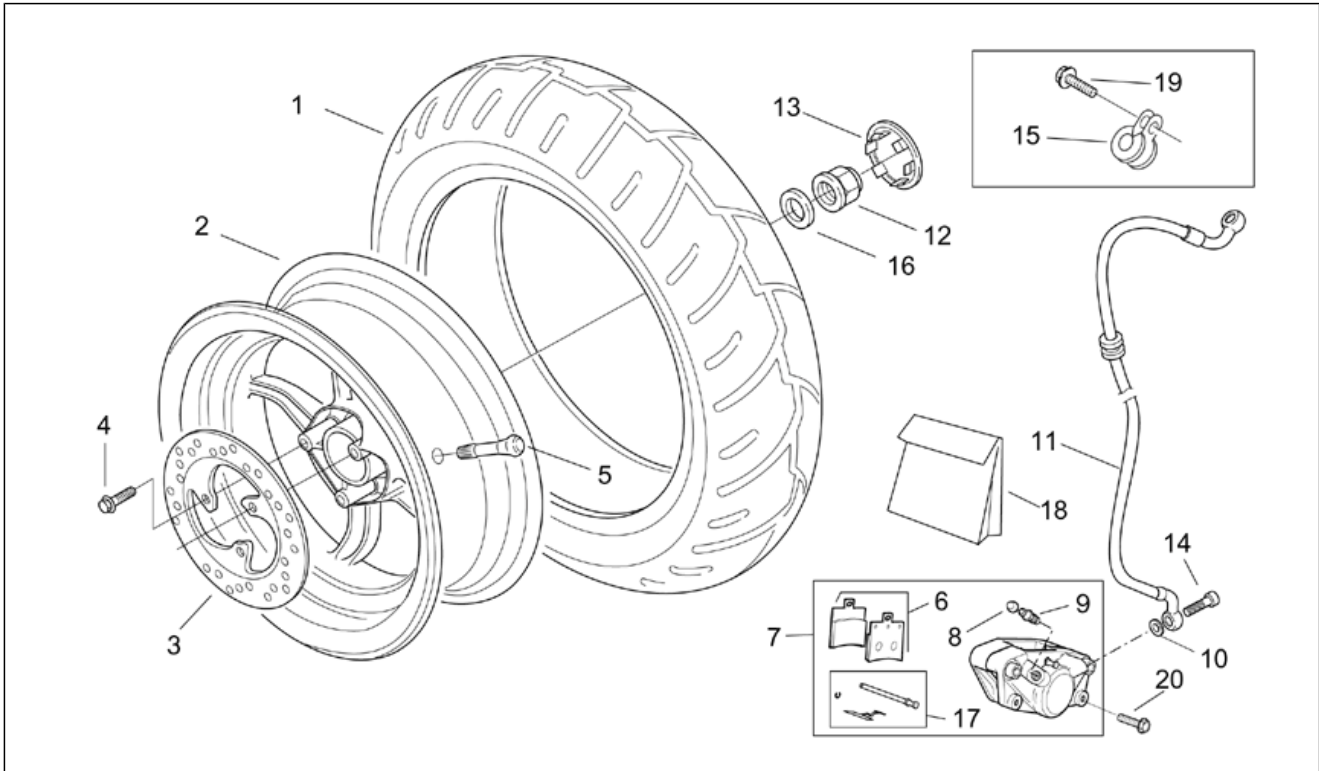


<b>Group</b>	FRAME
<b>Code</b>	28.28
<b>Description</b>	Rear wheel - disc brake
<b>Service</b>	1



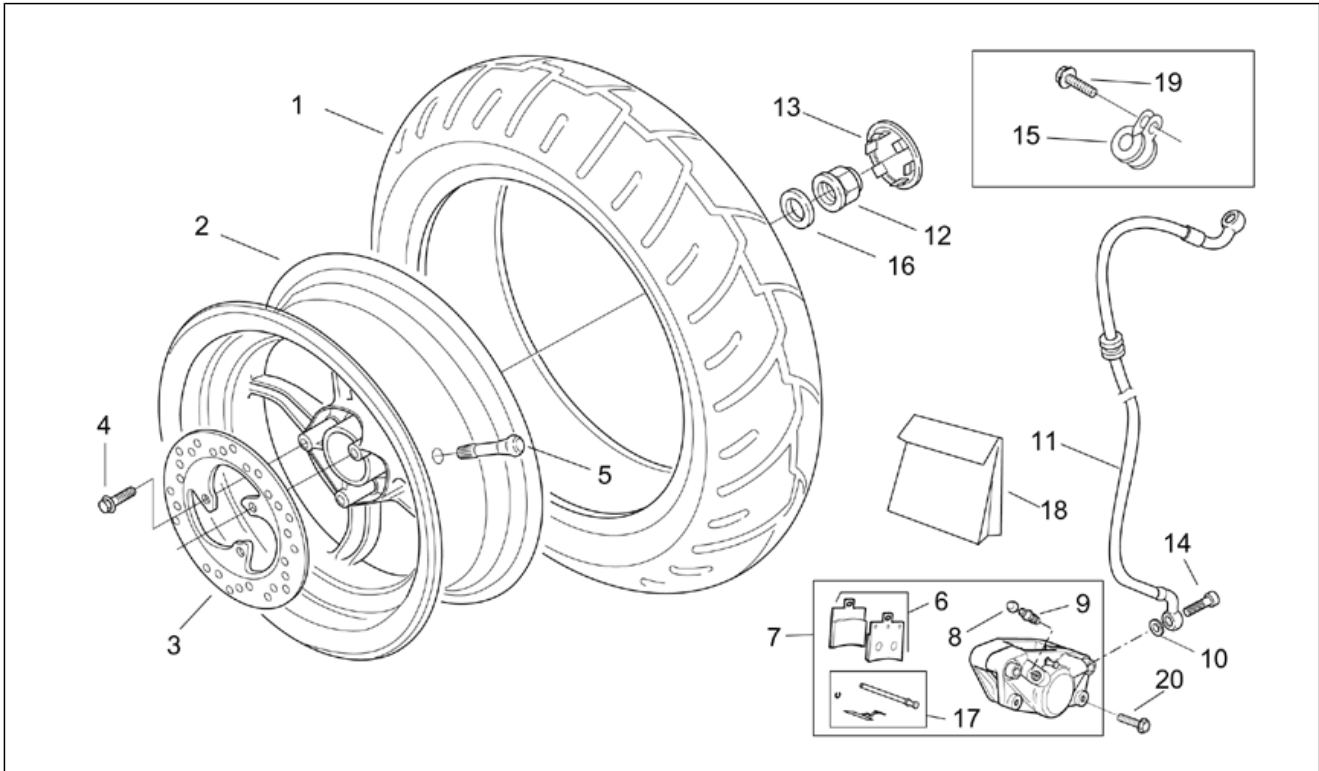
Pos.	Code	Description	Qty	Variants
				<b>Technical Specifications:</b> Rear disc brake[f.d.], Wheels with Grimeca sign[gr]
2	AP8208827	Rear wheel Grey/GoldSand	1	<b>Year:</b> 2004[4] <b>Vehicle colour:</b> Fluo Red 2004[r.fluo] <b>Country:</b> United States of America[AM], Canadian[CA], Canadian[CN], United States of America[USA] <b>Technical Specifications:</b> Rear disc brake[f.d.], Wheels with Grimeca sign[gr]
2	AP8208828	Rear wheel Gold	1	<b>Year:</b> 2003[3], 2004[4] <b>Vehicle colour:</b> Limited blue "Racing" 2003[b.lim] <b>Country:</b> United States of America[AM], Canadian[CA], Canadian[CN], United States of America[USA] <b>Technical Specifications:</b> Rear disc brake[f.d.], Wheels with Grimeca sign[gr]
2	AP8208828	Rear wheel Gold	1	<b>Year:</b> 2004[4] <b>Vehicle colour:</b> Poggiali White 2004[RP] <b>Country:</b> United States of America[AM], Canadian[CA], Canadian[CN], United States of America[USA] <b>Technical Specifications:</b> Rear disc brake[f.d.], Wheels with Grimeca sign[gr]
2	AP8208828	Rear wheel Gold	1	<b>Year:</b> 2003[3] <b>Vehicle colour:</b> SBK "Racing" 2003[sbk] <b>Country:</b> United States of America[AM], Canadian[CA], Canadian[CN], United States of America[USA] <b>Technical Specifications:</b> Rear disc brake[f.d.], Wheels with Grimeca sign[gr]
2	AP8208894	Rear wheel Gold	1	<b>Year:</b> 2004[4] <b>Vehicle colour:</b> Poggiali White 2004[RP] <b>Country:</b> United States of America[AM], Canadian[CA], Canadian[CN], United States of America[USA] <b>Technical Specifications:</b> Rear disc brake[f.d.], Wheels with ZNL sign[znl]
2	AP8208894	Rear wheel Gold	1	<b>Year:</b> 2003[3] <b>Vehicle colour:</b> SBK "Racing" 2003[sbk] <b>Country:</b> United States of America[AM], Canadian[CA], Canadian[CN], United States of America[USA]

<b>Group</b>	FRAME
<b>Code</b>	28.28
<b>Description</b>	Rear wheel - disc brake
<b>Service</b>	1



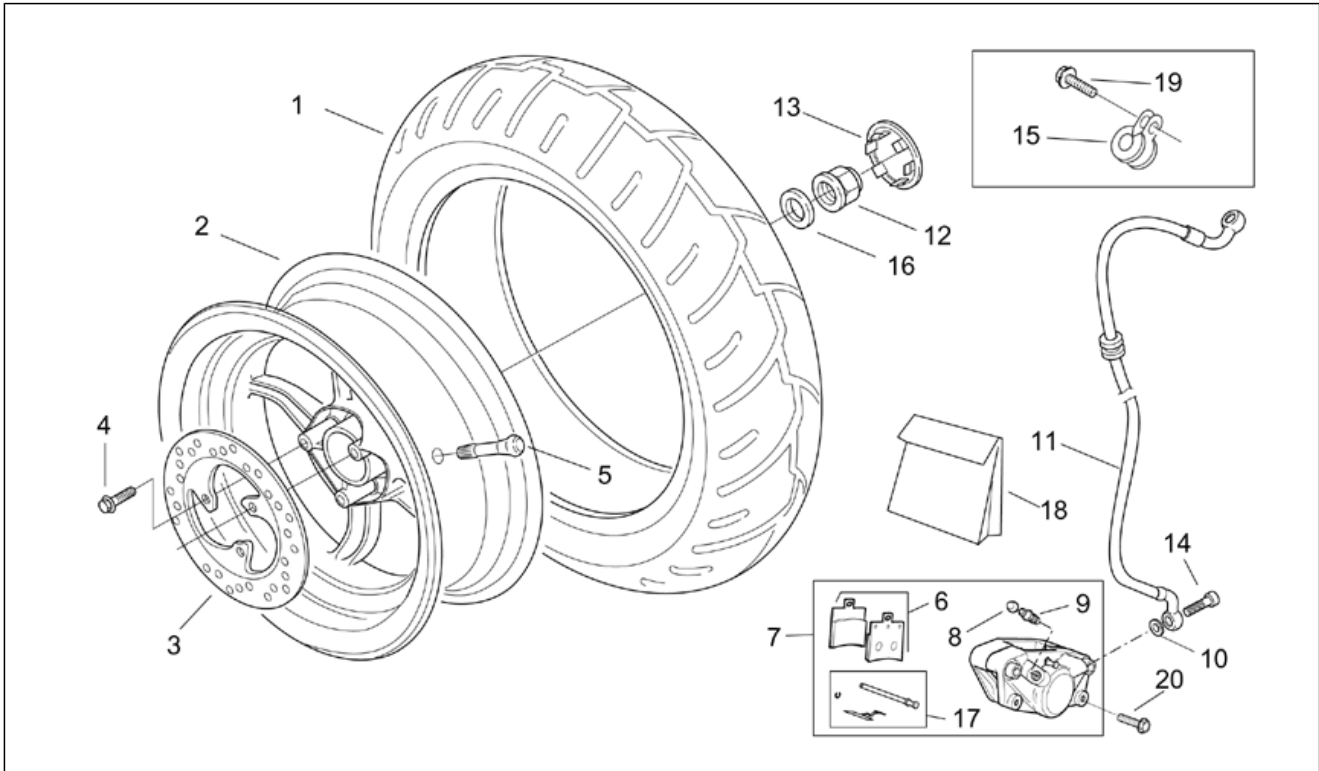
Pos.	Code	Description	Qty	Variants
				<b>Technical Specifications:</b> Rear disc brake[f.d.], Wheels with ZNL sign[znl]
2	AP8208894	Rear wheel Gold	1	<b>Year:</b> 2003[3], 2004[4] <b>Vehicle colour:</b> Limited blue "Racing" 2003[b.lim] <b>Country:</b> United States of America[AM], Canadian[CA], Canadian[CN], United States of America[USA] <b>Technical Specifications:</b> Rear disc brake[f.d.], Wheels with ZNL sign[znl]
2	AP8208897	Rear wheel Grey/GoldSand	1	<b>Year:</b> 2003[3] <b>Vehicle colour:</b> Tuono 2003[tuono] <b>Country:</b> United States of America[AM], Canadian[CA], Canadian[CN], United States of America[USA] <b>Technical Specifications:</b> Rear disc brake[f.d.], Wheels with ZNL sign[znl]
2	AP8208897	Rear wheel Grey/GoldSand	1	<b>Year:</b> 2003[3] <b>Vehicle colour:</b> GP1 2003[gp1] <b>Country:</b> United States of America[AM], Canadian[CA], Canadian[CN], United States of America[USA] <b>Technical Specifications:</b> Rear disc brake[f.d.], Wheels with ZNL sign[znl]
2	AP8208897	Rear wheel Grey/GoldSand	1	<b>Year:</b> 2004[4] <b>Vehicle colour:</b> Fluo Red 2004[r.fluo] <b>Country:</b> United States of America[AM], Canadian[CA], Canadian[CN], United States of America[USA] <b>Technical Specifications:</b> Rear disc brake[f.d.], Wheels with ZNL sign[znl]
2	AP8208897	Rear wheel Grey/GoldSand	1	<b>Year:</b> 2003[3] <b>Vehicle colour:</b> Red Tulip 2003[t.red] <b>Country:</b> United States of America[AM], Canadian[CA], Canadian[CN], United States of America[USA] <b>Technical Specifications:</b> Rear disc brake[f.d.], Wheels with ZNL sign[znl]
2	AP8208909	Rear wheel, blue	1	<b>Year:</b> 2001[1], 2000[Y] <b>Vehicle colour:</b> Diablo Black 2001-2002[bl.di], Aprilia Black "Racing" 2000-2001[bl/re], Nik Grey "Racing" 2000-2001[gr/ye]

<b>Group</b>	FRAME
<b>Code</b>	28.28
<b>Description</b>	Rear wheel - disc brake
<b>Service</b>	1



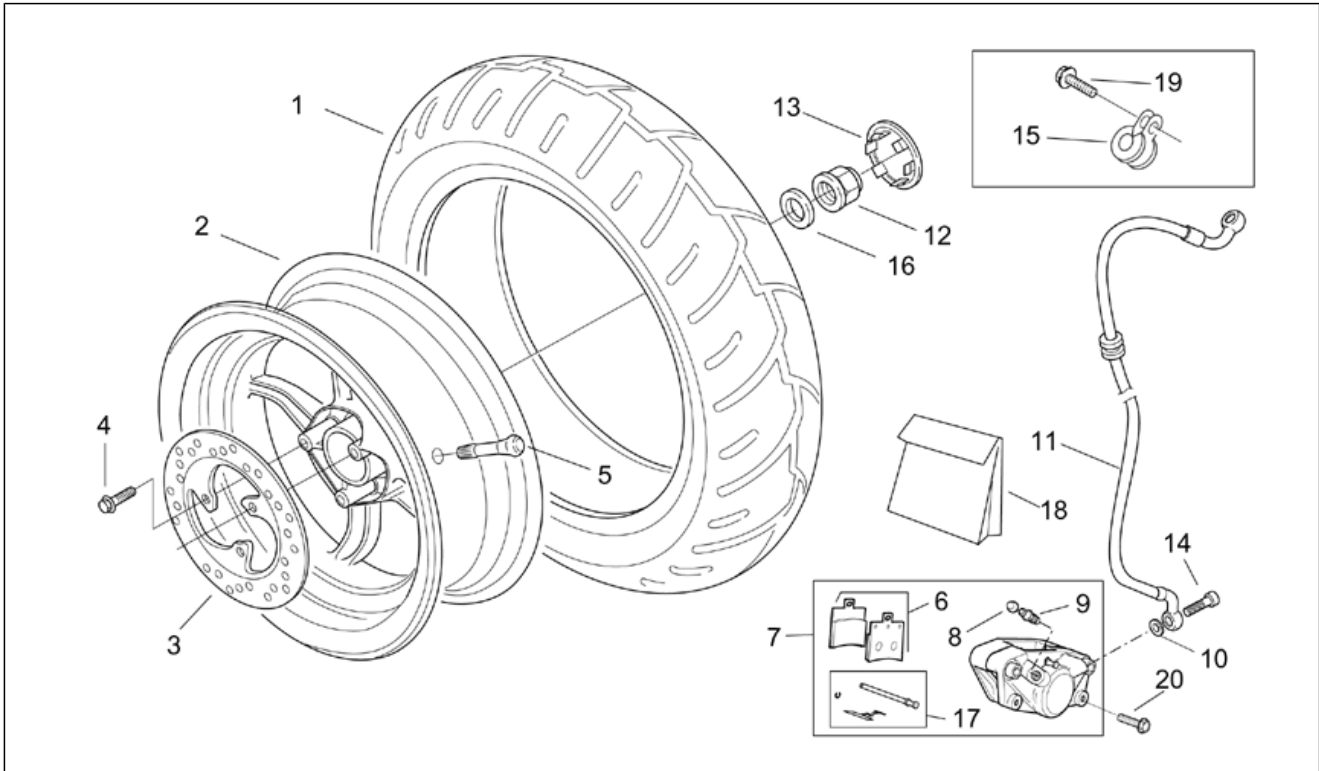
Pos.	Code	Description	Qty	Variants
				<b>Technical Specifications:</b> Rear disc brake[f.d.], Wheels with ZNL sign[znl]
2	AP8208909	Rear wheel, blue	1	<b>Year:</b> 2002[2] <b>Vehicle colour:</b> Diablo Black 2001-2002[bl.di], Haga 2002[haga] <b>Technical Specifications:</b> Rear disc brake[f.d.], Wheels with ZNL sign[znl]
3	AP8213231	Brake disc D190	1	<b>Technical Specifications:</b> Rear disc brake[f.d.]
4	AP8225358	Hex socket screw M8x25	3	<b>Technical Specifications:</b> Rear disc brake[f.d.]
5	AP8201546	Tubeless tyre valve	1	<b>Technical Specifications:</b> Rear disc brake[f.d.]
6	AP8113869	Pads pair	1	<b>Technical Specifications:</b> Rear disc brake[f.d.]
7	AP8213479	Rear brake caliper, black	1	<b>Year:</b> 2001[1], 2000[Y] <b>Vehicle colour:</b> Electric Blue "Sport" 2000-2001[el.bl], Hot Red "Sport" 2000-2001[h.red], Lemon Yellow 2001[le.ye] <b>Technical Specifications:</b> Rear disc brake[f.d.]
7	AP8213488	Rear brake caliper, gold	1	<b>Year:</b> 2001[1], 2000[Y] <b>Vehicle colour:</b> Diablo Black 2001-2002[bl.di], Aprilia Black "Racing" 2000-2001[bl/re], Nik Grey "Racing" 2000-2001[gr/ye] <b>Technical Specifications:</b> Rear disc brake[f.d.]
7	AP8213488	Rear brake caliper, gold	1	<b>Year:</b> 2003[3] <b>Vehicle colour:</b> Red Tulip 2003[t.red] <b>Country:</b> United States of America[AM], Canadian[CA], Canadian[CN], United States of America[USA] <b>Technical Specifications:</b> Rear disc brake[f.d.]
7	AP8213488	Rear brake caliper, gold	1	<b>Year:</b> 2004[4] <b>Vehicle colour:</b> Fluo Red 2004[r.fluo], Poggiali White 2004[RP] <b>Country:</b> United States of America[AM], Canadian[CA], Canadian[CN], United States of America[USA] <b>Technical Specifications:</b> Rear disc brake[f.d.]
7	AP8213488	Rear brake caliper, gold	1	<b>Year:</b> 2003[3] <b>Vehicle colour:</b> SBK "Racing" 2003[sbk]

<b>Group</b>	FRAME
<b>Code</b>	28.28
<b>Description</b>	Rear wheel - disc brake
<b>Service</b>	1



Pos.	Code	Description	Qty	Variants
				<b>Country:</b> United States of America[AM], Canadian[CA], Canadian[CN], United States of America[USA] <b>Technical Specifications:</b> Rear disc brake[f.d.]
7	AP8213488	Rear brake caliper, gold	1	<b>Year:</b> 2002[2] <b>Vehicle colour:</b> Diablo Black 2001-2002[bl.di], Dust Grey 2002[du/gr], Haga 2002[haga] <b>Technical Specifications:</b> Rear disc brake[f.d.]
7	AP8213488	Rear brake caliper, gold	1	<b>Year:</b> 2003[3], 2004[4] <b>Vehicle colour:</b> Limited blue "Racing" 2003[b.lim] <b>Country:</b> United States of America[AM], Canadian[CA], Canadian[CN], United States of America[USA] <b>Technical Specifications:</b> Rear disc brake[f.d.]
7	AP8213488	Rear brake caliper, gold	1	<b>Year:</b> 2003[3] <b>Vehicle colour:</b> GP1 2003[gp1] <b>Country:</b> United States of America[AM], Canadian[CA], Canadian[CN], United States of America[USA] <b>Technical Specifications:</b> Rear disc brake[f.d.]
7	AP8213488	Rear brake caliper, gold	1	<b>Year:</b> 2003[3] <b>Vehicle colour:</b> Tuono 2003[tuono] <b>Country:</b> United States of America[AM], Canadian[CA], Canadian[CN], United States of America[USA] <b>Technical Specifications:</b> Rear disc brake[f.d.]
8	AP8113005	Bleed valve cap	1	<b>Technical Specifications:</b> Rear disc brake[f.d.]
9	AP8113006	Air bleed valve	1	<b>Technical Specifications:</b> Rear disc brake[f.d.]
10	AP8113004	Washer 10x14x1,6*	1	<b>Technical Specifications:</b> Rear disc brake[f.d.]
11	AP8213474	Rear brake hose	1	<b>Technical Specifications:</b> Rear disc brake[f.d.]
12	AP8152244	DAX flange nut M14x1,5	1	<b>Technical Specifications:</b> Rear disc brake[f.d.]
13	AP8208812	Rear wheel plug	1	<b>Year:</b> 2003[3] <b>Vehicle colour:</b> Tuono 2003[tuono] <b>Country:</b> United States of America[AM], Canadian[CA], Canadian[CN], United States of America[USA] <b>Technical Specifications:</b> Rear disc brake[f.d.]
13	AP8208812	Rear wheel plug	1	<b>Year:</b> 2004[4] <b>Vehicle colour:</b> Fluo Red 2004[r.fluo]

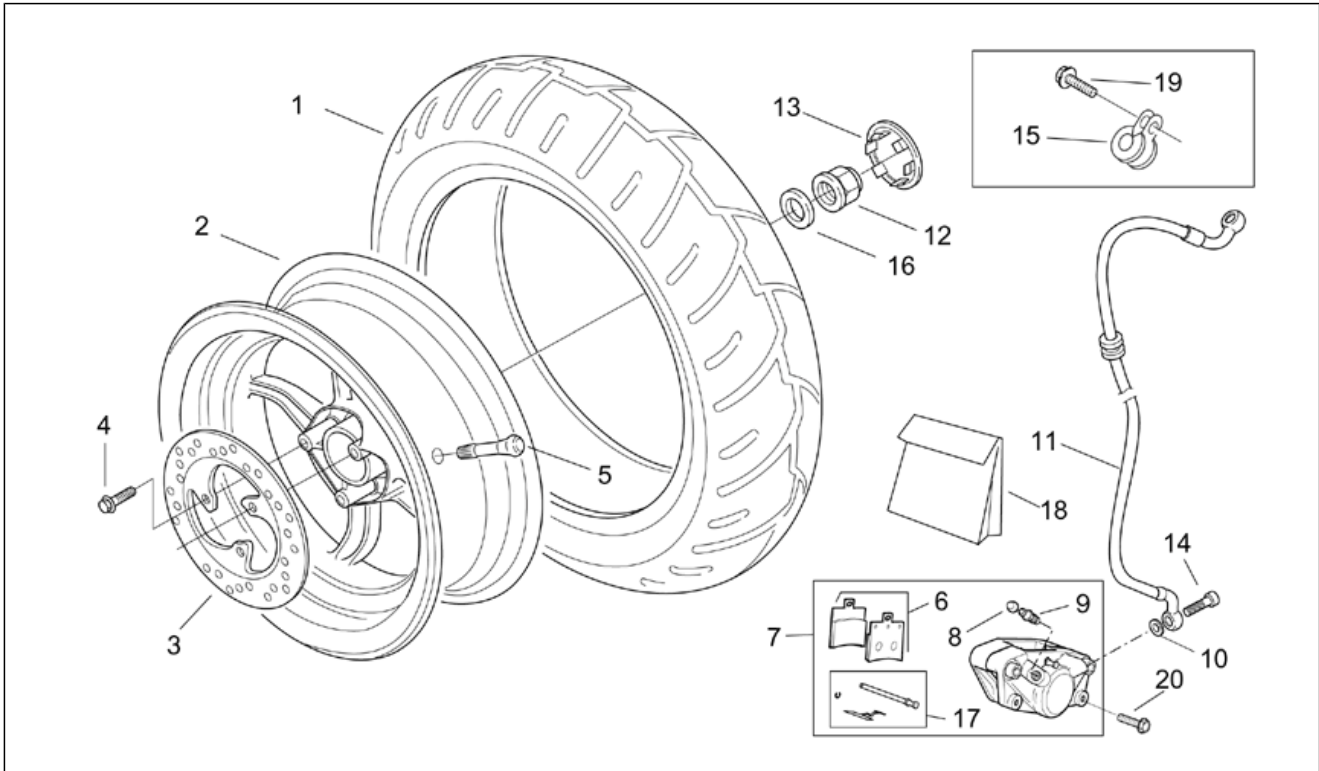
<b>Group</b>	FRAME
<b>Code</b>	28.28
<b>Description</b>	Rear wheel - disc brake
<b>Service</b>	1



Pos.	Code	Description	Qty	Variants
				<b>Country:</b> United States of America[AM], Canadian[CA], Canadian[CN], United States of America[USA] <b>Technical Specifications:</b> Rear disc brake[f.d.]
13	AP8208812	Rear wheel plug	1	<b>Year:</b> 2003[3] <b>Vehicle colour:</b> GP1 2003[gp1] <b>Country:</b> United States of America[AM], Canadian[CA], Canadian[CN], United States of America[USA] <b>Technical Specifications:</b> Rear disc brake[f.d.]
13	AP8208812	Rear wheel plug	1	<b>Year:</b> 2003[3] <b>Vehicle colour:</b> Red Tulip 2003[t.red] <b>Country:</b> United States of America[AM], Canadian[CA], Canadian[CN], United States of America[USA] <b>Technical Specifications:</b> Rear disc brake[f.d.]
13	AP8208824	Rear wheel plug	1	<b>Year:</b> 2003[3] <b>Vehicle colour:</b> SBK "Racing" 2003[sbk] <b>Country:</b> United States of America[AM], Canadian[CA], Canadian[CN], United States of America[USA] <b>Technical Specifications:</b> Rear disc brake[f.d.]
13	AP8208824	Rear wheel plug	1	<b>Year:</b> 2004[4] <b>Vehicle colour:</b> Poggiali White 2004[RP] <b>Country:</b> United States of America[AM], Canadian[CA], Canadian[CN], United States of America[USA] <b>Technical Specifications:</b> Rear disc brake[f.d.]
13	AP8208824	Rear wheel plug	1	<b>Year:</b> 2003[3], 2004[4] <b>Vehicle colour:</b> Limited blue "Racing" 2003[b.lim] <b>Country:</b> United States of America[AM], Canadian[CA], Canadian[CN], United States of America[USA] <b>Technical Specifications:</b> Rear disc brake[f.d.]
13	AP8220571	Rear wheel plug	1	<b>Year:</b> 2001[1], 2000[Y] <b>Vehicle colour:</b> Electric Blue "Sport" 2000-2001[el.bl], Hot Red "Sport" 2000-2001[h.red], Lemon Yellow 2001[le.ye] <b>Technical Specifications:</b> Rear disc brake[f.d.]
13	AP8220579	Rear wheel plug	1	<b>Year:</b> 2002[2] <b>Vehicle colour:</b> Diablo Black 2001-2002[bl.di], Haga 2002[haga]

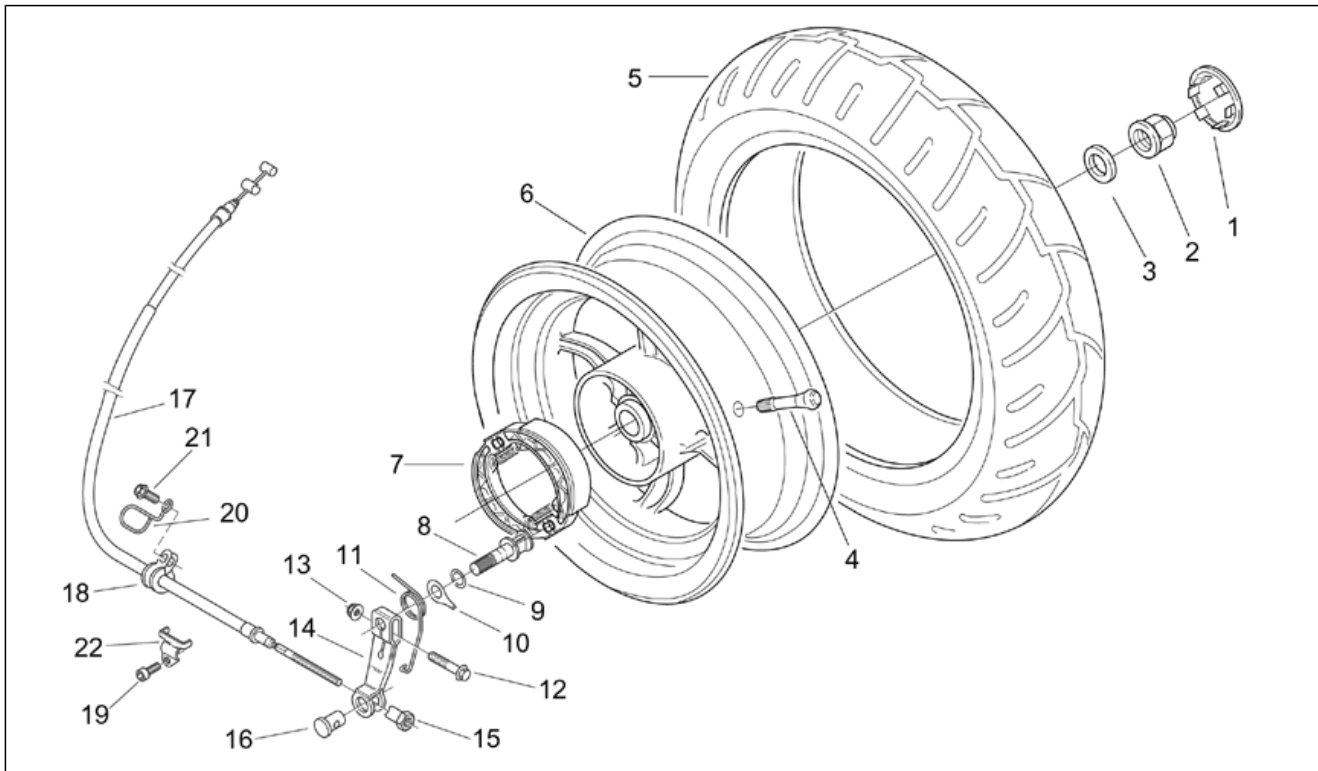


<b>Group</b>	FRAME
<b>Code</b>	28.28
<b>Description</b>	Rear wheel - disc brake
<b>Service</b>	1



Pos.	Code	Description	Qty	Variants
				<b>Technical Specifications:</b> Rear disc brake[f.d.]
13	AP8220579	Rear wheel plug	1	<b>Year:</b> 2001[1], 2000[Y] <b>Vehicle colour:</b> Diablo Black 2001-2002[bl.di], Aprilia Black "Racing" 2000-2001[bl/re], Nik Grey "Racing" 2000-2001[gr/ye] <b>Technical Specifications:</b> Rear disc brake[f.d.]
13	AP8258565	Rear wheel plug	1	<b>Year:</b> 2002[2] <b>Vehicle colour:</b> Dust Grey 2002[du/gr] <b>Technical Specifications:</b> Rear disc brake[f.d.]
14	AP8113003	Oil pipe screw *	1	<b>Technical Specifications:</b> Rear disc brake[f.d.]
15	AP8134167	Brake hose hanger	1	<b>Technical Specifications:</b> Rear disc brake[f.d.]
16	AP8150471	Spring washer 14,5x24	1	<b>Technical Specifications:</b> Rear disc brake[f.d.]
17	AP8113871	Pin+Brake spring	1	<b>Technical Specifications:</b> Rear disc brake[f.d.]
18	AP8213457	Brake caliper rev. kit	1	<b>Technical Specifications:</b> Rear disc brake[f.d.]
19	AP8152277	Screw w/ flange M6x12	1	<b>Technical Specifications:</b> Rear disc brake[f.d.]
20	AP8152288	Screw w/ flange	1	<b>Technical Specifications:</b> Rear disc brake[f.d.]

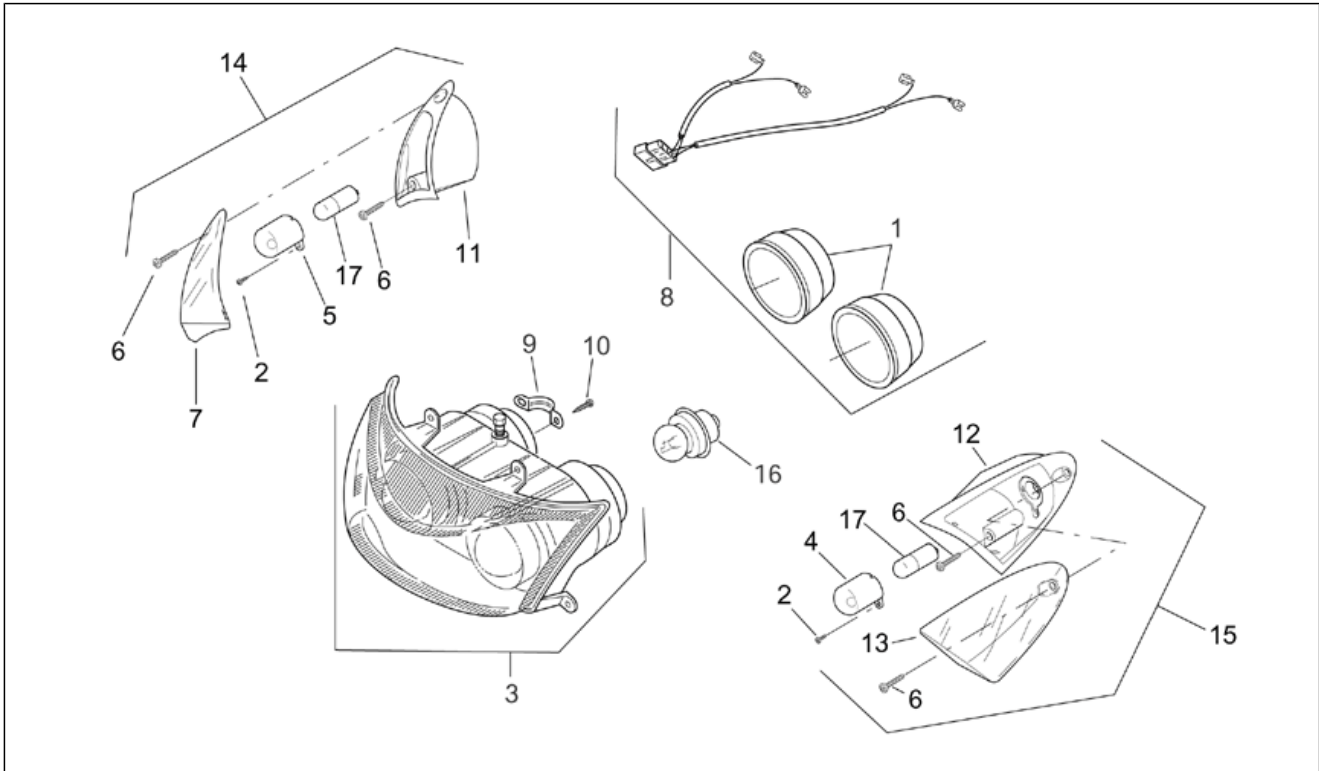
<b>Group</b>	FRAME
<b>Code</b>	28.29
<b>Description</b>	Rear wheel - drum brake
<b>Service</b>	1



Pos.	Code	Description	Qty	Variants
1	AP8220571	Rear wheel plug	1	Technical Specifications:Rear drum brake[f.t.]
2	AP8152244	DAX flange nut M14x1,5	1	Technical Specifications:Rear drum brake[f.t.]
3	AP8150471	Spring washer 14,5x24	1	Technical Specifications:Rear drum brake[f.t.]
4	AP8201546	Tubeless tyre valve	1	Technical Specifications:Rear drum brake[f.t.]
5	0000000	Tyre	1	Technical Specifications:Rear drum brake[f.t.]
6	AP8208646	Rear wheel	1	Technical Specifications:Rear drum brake[f.t.]
7	AP8213424	Brake shoes+springs	1	Technical Specifications:Rear drum brake[f.t.]
8	AP8213406	Rear brake cam	1	Technical Specifications:Rear drum brake[f.t.]
9	AP8213373	Antidust gasket	1	Technical Specifications:Rear drum brake[f.t.]
10	AP8213407	Lining wear indicator	1	Technical Specifications:Rear drum brake[f.t.]
11	AP8213408	Brake return spring	1	Technical Specifications:Rear drum brake[f.t.]
12	AP8152282	Screw w/ flange M6x35	1	Technical Specifications:Rear drum brake[f.t.]
13	AP8152299	Self-locking nut M6	1	Technical Specifications:Rear drum brake[f.t.]
14	AP8235048	Rear brake lever	1	Technical Specifications:Rear drum brake[f.t.]
15	AP8214200	Rear brake lever register	1	Technical Specifications:Rear drum brake[f.t.]
16	AP8221120	Brake cable retainer	1	Technical Specifications:Rear drum brake[f.t.]
17	AP8214220	Rear brake cable	1	Technical Specifications:Rear drum brake[f.t.]
18	AP8134167	Brake hose hanger	1	Technical Specifications:Rear drum brake[f.t.]
19	AP8150137	Hex socket screw	1	Technical Specifications:Rear drum brake[f.t.]
20	AP8121856	Cable-guide	1	Technical Specifications:Rear drum brake[f.t.]
21	AP8152278	Screw w/ flange M6x16	1	Technical Specifications:Rear drum brake[f.t.]
22	AP8234161	Plate	1	Technical Specifications:Rear drum brake[f.t.]

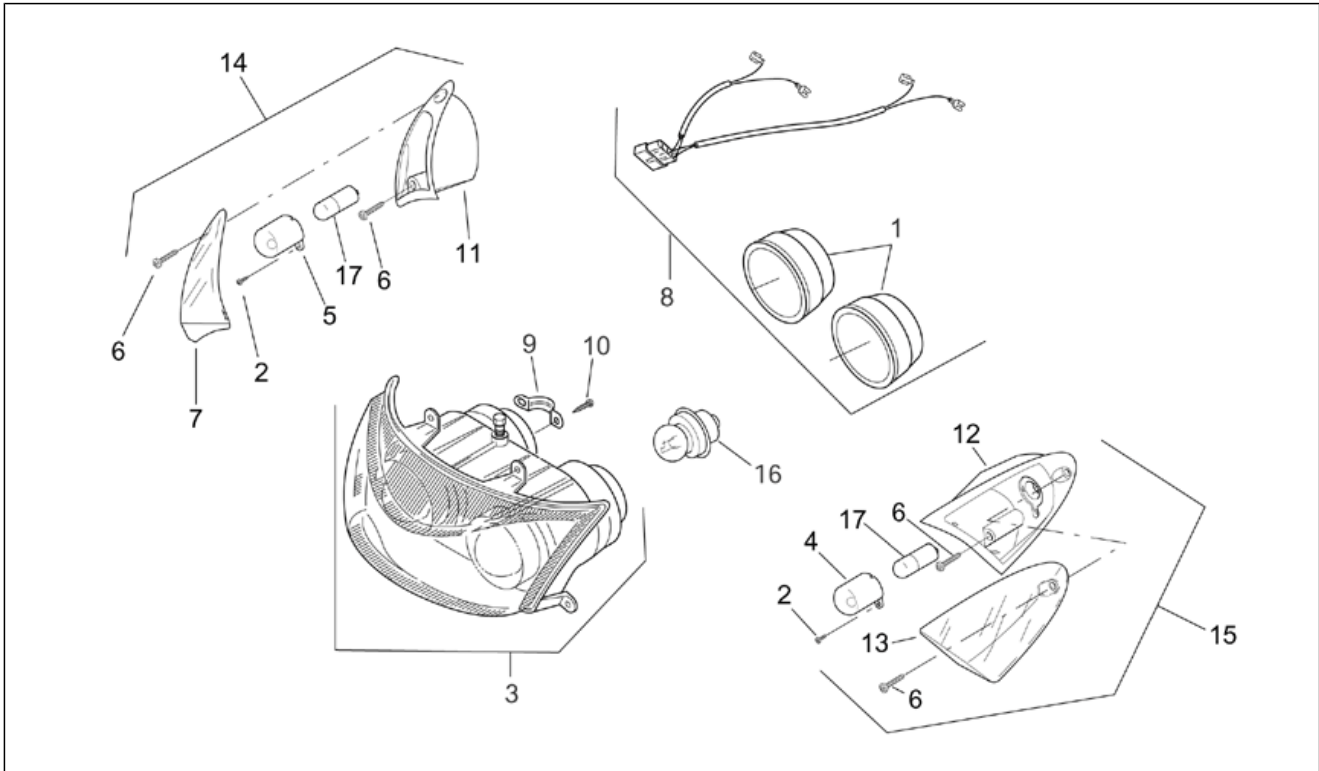


<b>Group</b>	FRAME
<b>Code</b>	28.30
<b>Description</b>	Front lights
<b>Service</b>	1



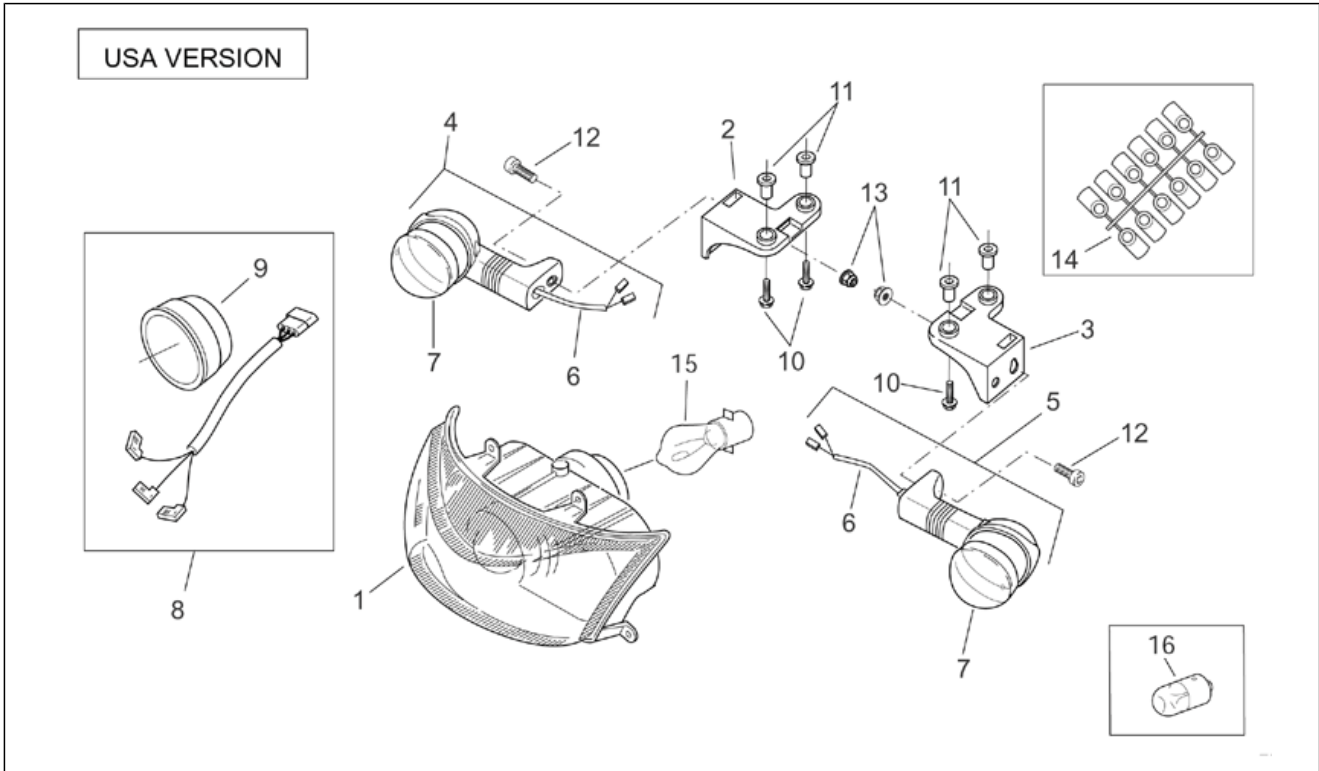
Pos.	Code	Description	Qty	Variants
1	AP8212841	Front headlight guard	2	
2	AP8225359	screw	2	
3	AP8212771	Headlight	1	<b>Country:</b> Austria[A], Australia[AA], Australia[AUS], Belgium[B], Switzerland[CH], Germany[D], Denmark[DK], Spain[E], A, B, CH, D, DK, E, F, I, NL, P, UK[EU], France[F], Greece[GR], Italy[I], Holland[NL], Portugal[P], Great Britain[UK]
3	AP8212903	Headlight -35+35W-	1	<b>Country:</b> Japan[J], Japan[JJ]
4	AP8224211	LH shield	1	
5	AP8224214	RH shield	1	
6	AP8150270	Screw 4,2x20*	4	
7	AP8224213	RH Turn indicator f.lens	1	
8	AP8212936	Headlight wiring w/harness	1	<b>Country:</b> Japan[J], Japan[JJ]
8	AP8224148	Headlight wiring w/harness	1	<b>Country:</b> Austria[A], Australia[AA], Australia[AUS], Belgium[B], Switzerland[CH], Germany[D], Denmark[DK], Spain[E], A, B, CH, D, DK, E, F, I, NL, P, UK[EU], France[F], Greece[GR], Italy[I], Holland[NL], Portugal[P], Great Britain[UK]
9	AP8224062	plate	1	
10	AP8224063	Self-tap screw M2,9x6,5	2	
11	AP8224215	RH turn light parabola	1	
12	AP8224212	LH turn light parabola	1	
13	AP8224210	LH front turn indicator lens	1	
14	860594	RH front turn indicator	1	<b>Country:</b> Austria[A], Australia[AA], Australia[AUS], Belgium[B], Switzerland[CH], Germany[D], Denmark[DK], Spain[E], A, B, CH, D, DK, E, F, I, NL, P, UK[EU], France[F], Greece[GR], Italy[I], Japan[J], Japan[JJ], Holland[NL], Portugal[P], Great Britain[UK]
15	860595	LH front turn indicator	1	<b>Country:</b> United States of America[AM], Canadian[CA], Canadian[CN], United States of America[USA]
15	AP8124517	LH front turn indicator	1	<b>Country:</b> Austria[A], Australia[AA], Australia[AUS], Belgium[B], Switzerland[CH], Germany[D], Denmark[DK],

<b>Group</b>	FRAME
<b>Code</b>	28.30
<b>Description</b>	Front lights
<b>Service</b>	1



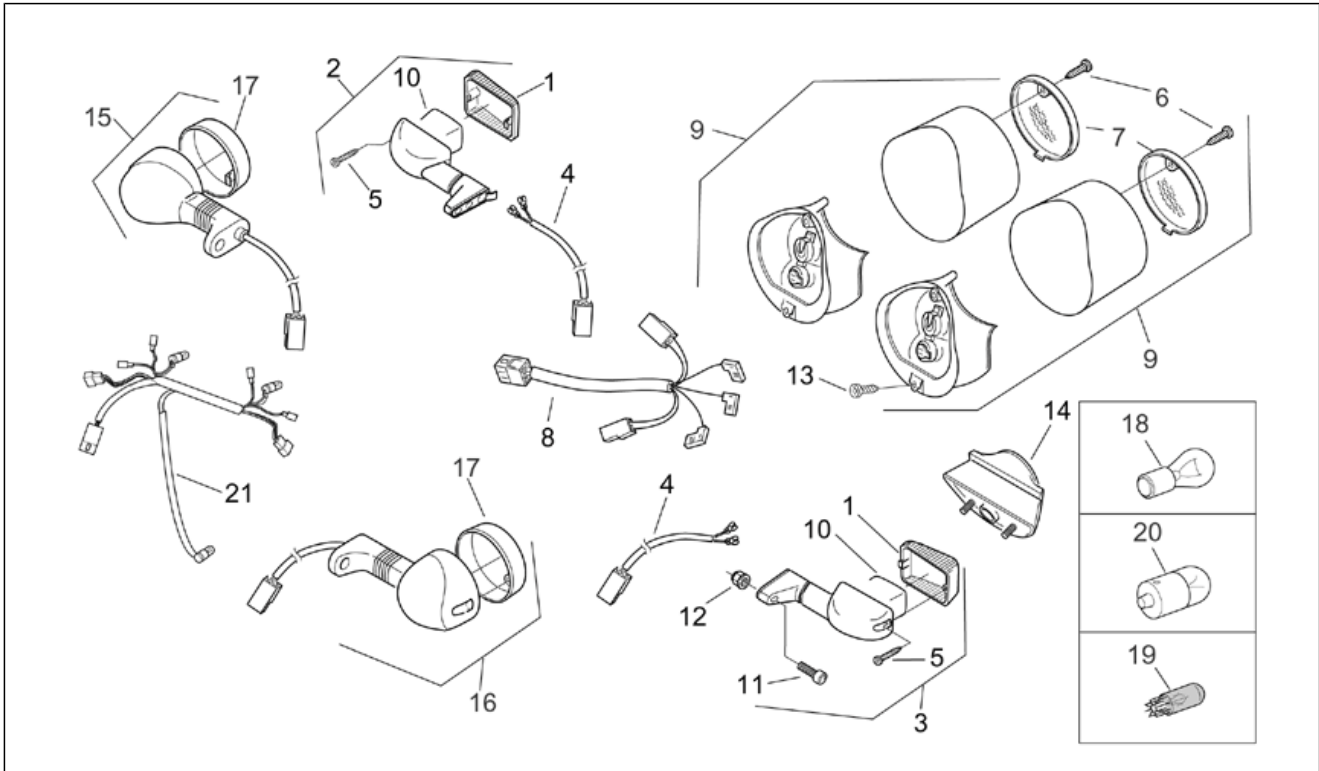
Pos.	Code	Description	Qty	Variants
				Spain[E], A, B, CH, D, DK, E, F, I, NL, P, UK[EU], France[F], Greece[GR], Italy[I], Japan[J], Japan[JJ], Holland[NL], Portugal[P], Great Britain[UK]
15	AP8224406	LH front turn indicator	1	<b>Country:</b> United States of America[AM], Canadian[CA], Canadian[CN], United States of America[USA]
16	AP8224392	Lamp S3 15w 12v	1	
17	AP8224390	Lamp R10W 12v	2	

<b>Group</b>	FRAME
<b>Code</b>	28.31
<b>Description</b>	Front lights USA
<b>Service</b>	1



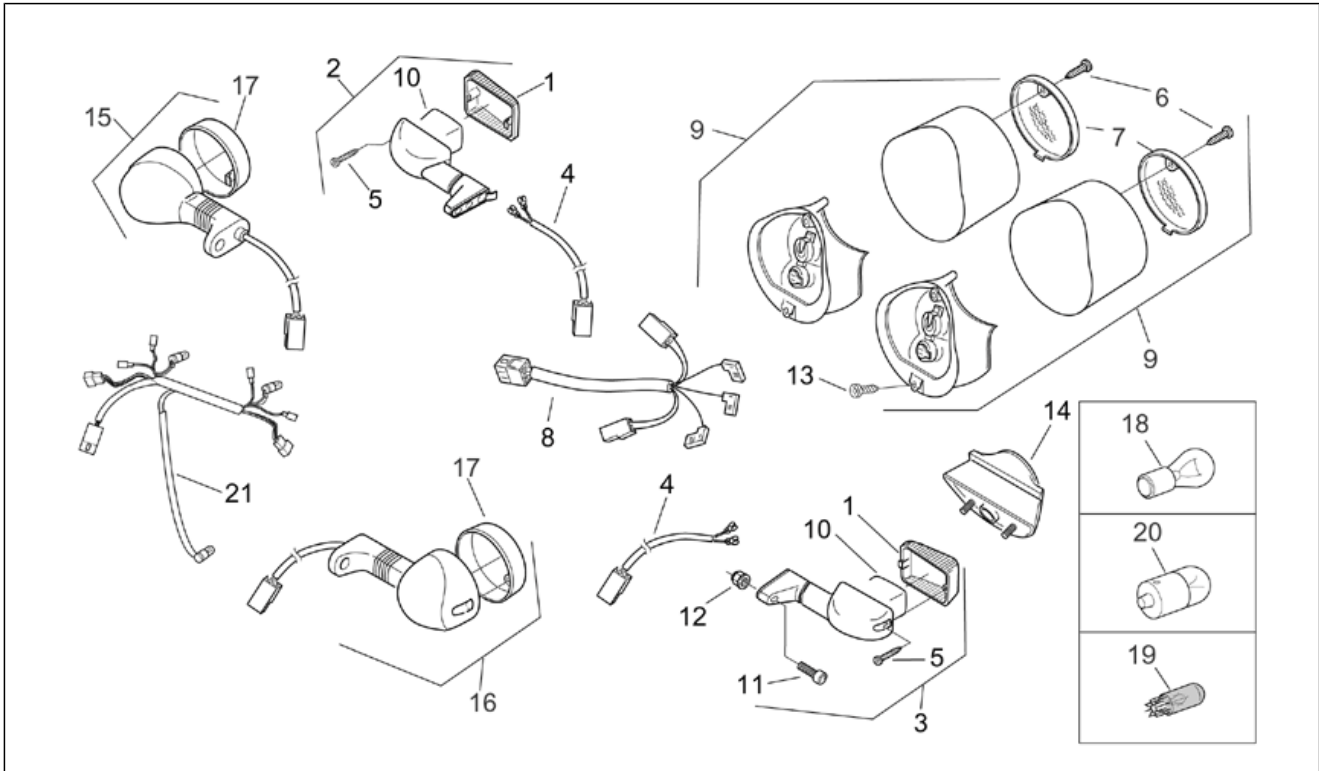
Pos.	Code	Description	Qty	Variants
1	AP8224193	Headlight	1	Country:United States of America[AM], Canadian[CA], Canadian[CN], United States of America[USA]
2	AP8249100	RH turn indicator support	1	Country:United States of America[AM], Canadian[CA], Canadian[CN], United States of America[USA]
3	AP8249101	LH turn indicator support	1	Country:United States of America[AM], Canadian[CA], Canadian[CN], United States of America[USA]
4	AP8224197	RH front/LH rear turn indic.	1	Country:United States of America[AM], Canadian[CA], Canadian[CN], United States of America[USA]
5	AP8224198	LH front/RH rear turn indic.	1	Country:United States of America[AM], Canadian[CA], Canadian[CN], United States of America[USA]
6	AP8224259	Front turn indicator wiring	2	Country:United States of America[AM], Canadian[CA], Canadian[CN], United States of America[USA]
7	AP8224258	Turn indicator lens	2	Country:United States of America[AM], Canadian[CA], Canadian[CN], United States of America[USA]
8	AP8224251	Headlight wiring w/harness	1	Country:United States of America[AM], Canadian[CA], Canadian[CN], United States of America[USA]
9	AP8212841	Front headlight guard	1	Country:United States of America[AM], Canadian[CA], Canadian[CN], United States of America[USA]
10	AP8152279	Screw w/ flange M6x20	4	Country:United States of America[AM], Canadian[CA], Canadian[CN], United States of America[USA]
11	AP8121795	T bush	4	Country:United States of America[AM], Canadian[CA], Canadian[CN], United States of America[USA]
12	AP8150052	Hex socket screw M6x16	2	Country:United States of America[AM], Canadian[CA], Canadian[CN], United States of America[USA]
13	AP8150430	Low self-locking nut	2	Country:United States of America[AM], Canadian[CA], Canadian[CN], United States of America[USA]
14	AP8249136	Front light adj.spacers set	1	Country:United States of America[AM], Canadian[CA], Canadian[CN], United States of America[USA]
15	AP8224391	Lamp S2 35/35w 12v	1	Country:United States of America[AM], Canadian[CA], Canadian[CN], United States of America[USA]
16	AP8224390	Lamp R10W 12v	2	Country:United States of America[AM], Canadian[CA], Canadian[CN], United States of America[USA]

<b>Group</b>	FRAME
<b>Code</b>	28.32
<b>Description</b>	Rear lights
<b>Service</b>	1



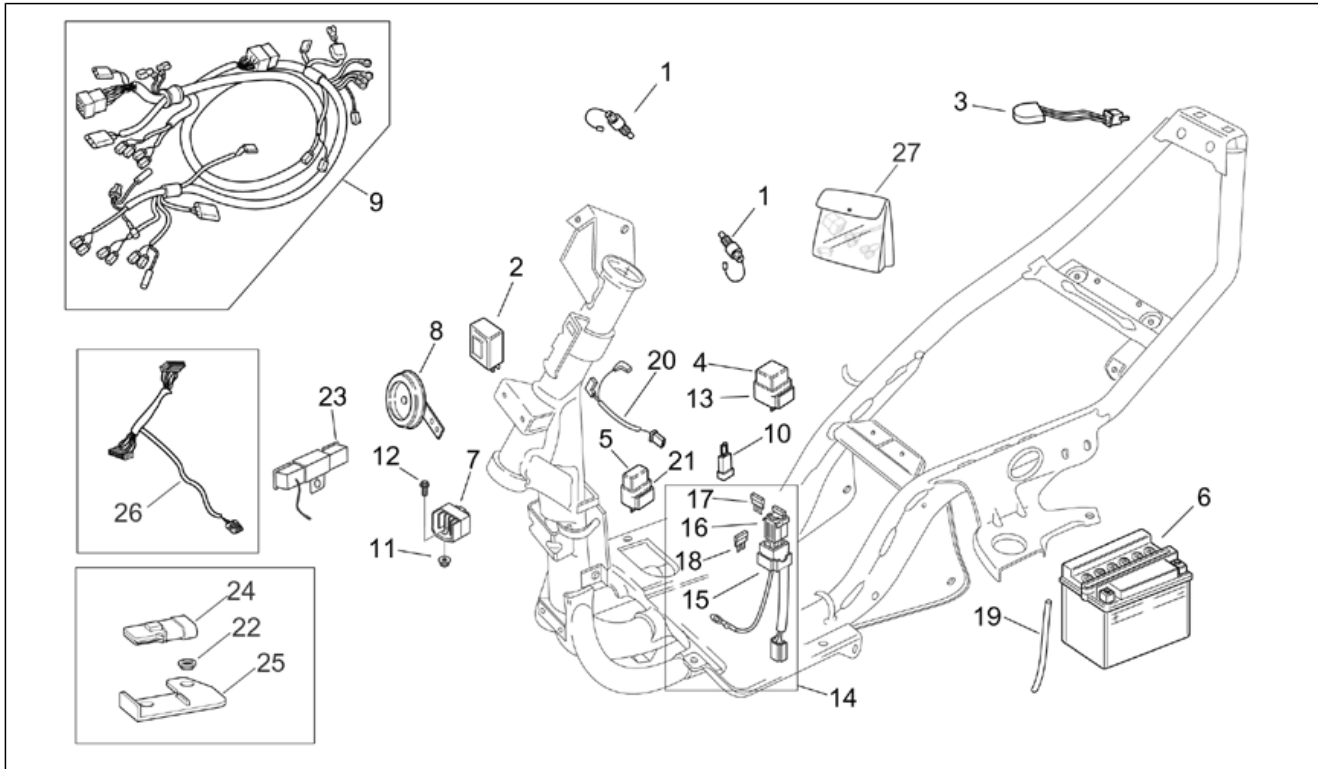
Pos.	Code	Description	Qty	Variants
1	AP8224346	Turn indicator lens	2	
2	AP8224340	Rear RH turn indicator	1	
3	AP8224341	Rear LH turn indicator	1	
4	AP8212698	Front turn indicator harness	2	
5	AP8224268	screw 2,9x25	2	
6	AP8212934	White self-tap scrw 3,9x16	2	
7	AP8212933	Window	1	
8	AP8212775	Taillight wiring harness.	1	<b>Country:</b> Austria[A], Belgium[B], Switzerland[CH], Germany[D], Denmark[DK], Spain[E], A, B, CH, D, DK, E, F, I, NL, P, UK[EU], France[F], Greece[GR], Italy[I], Holland[NL], Portugal[P], Great Britain[UK]
8	AP8212937	Taillight wiring harness.	1	<b>Country:</b> Japan[J], Japan[JJ]
9	AP8224245	Taillight	1	
10	AP8224347	Internal cup	2	
11	AP8150280	Hex socket screw	2	
12	AP8152306	Self-locking nut m5	2	
13	AP8150413	Self-tap screw 3,9x14	4	
14	AP8224196	Number-plate light	1	<b>Country:</b> Australia[AA], United States of America[AM], Australia[AUS], Canadian[CA], Canadian[CN], Japan[J], Japan[JJ], United States of America[USA]
15	AP8224174	LH front/RH rear turn indic.	1	<b>Country:</b> United States of America[AM], Canadian[CA], Canadian[CN], United States of America[USA]
16	AP8224173	RH front/LH rear turn indic.	1	<b>Country:</b> United States of America[AM], Canadian[CA], Canadian[CN], United States of America[USA]
17	AP8224258	Turn indicator lens	2	<b>Country:</b> United States of America[AM], Canadian[CA], Canadian[CN], United States of America[USA]
18	AP8224389	Lamp P21/5W 12V	1	
19	AP8224393	Lamp WY5W 12V	1	
20	AP8224390	Lamp R10W 12v	1	

<b>Group</b>	FRAME
<b>Code</b>	28.32
<b>Description</b>	Rear lights
<b>Service</b>	1



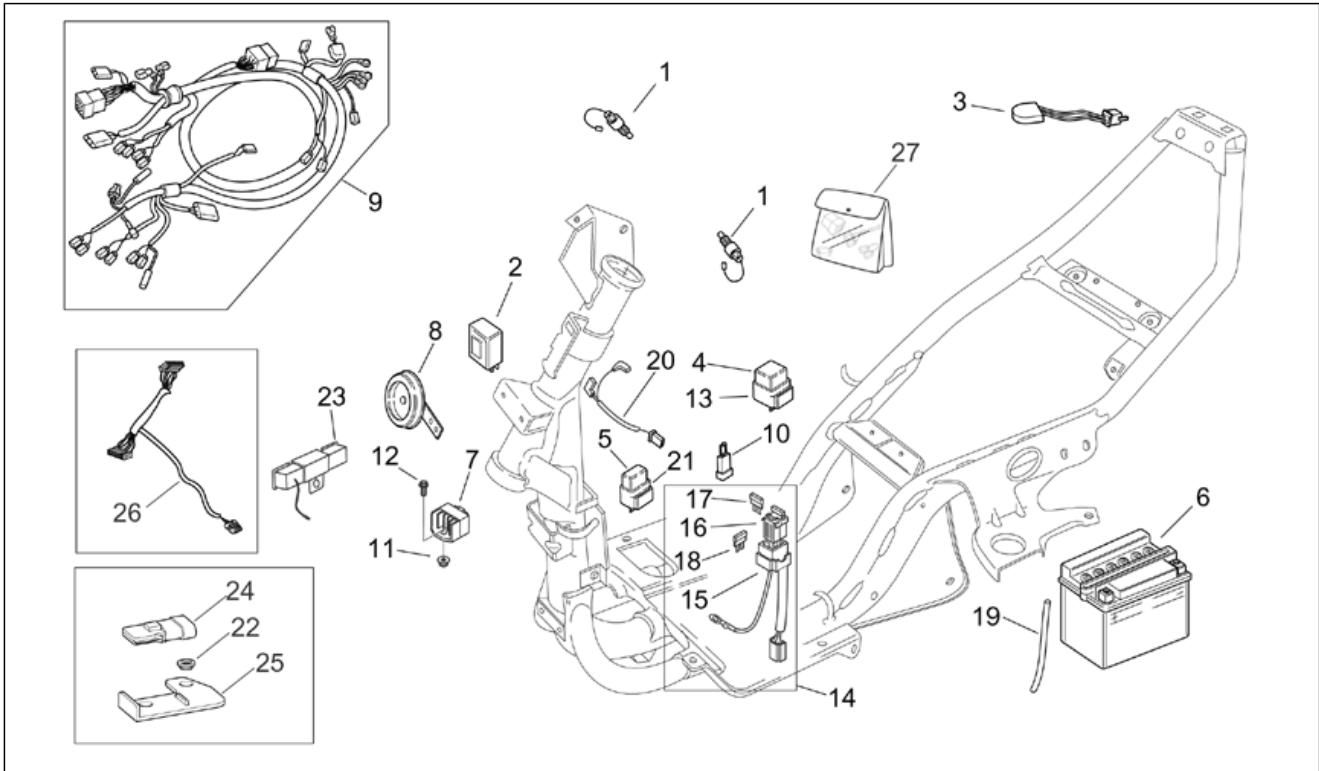
Pos.	Code	Description	Qty	Variants
21	AP8124612	Taillight wiring harn.	1	Country:Australia[AA], United States of America[AM], Australia[AUS], Canadian[CA], Canadian[CN], United States of America[USA]

<b>Group</b>	FRAME
<b>Code</b>	28.33
<b>Description</b>	Electrical system
<b>Service</b>	1



Pos.	Code	Description	Qty	Variants
1	AP8124818	Stop switch	2	
2	AP8124235	Flasher unit	1	
3	AP8124754	Thermal switch	1	<b>Technical Specifications:</b> Engine with carburettor[carb]
4	AP8224057	Starter relay	1	
5	AP8212469	Relay 12V/20A	1	<b>Technical Specifications:</b> "DITECH" engine with direct fuel injection[ie]
6	AP8124637	Battery	1	<b>Technical Specifications:</b> "DITECH" engine with direct fuel injection[ie]
6	AP8212110	Battery 12V-4Ah	1	<b>Technical Specifications:</b> Engine with carburettor[carb]
7	AP8224102	Voltage regulator	1	<b>Technical Specifications:</b> Engine with carburettor[carb]
7	AP8224296	Voltage regulator	1	<b>Technical Specifications:</b> "DITECH" engine with direct fuel injection[ie]
8	AP8212611	Horn	1	
9	AP8224248	Main wiring harness	1	<b>Country:</b> Austria[A], Australia[AA], Australia[AUS], Belgium[B], Switzerland[CH], Germany[D], Denmark[DK], Spain[E], A, B, CH, D, DK, E, F, I, NL, P, UK[EU], France[F], Italy[I], Holland[NL], Portugal[P], Great Britain[UK] <b>Technical Specifications:</b> "DITECH" engine with direct fuel injection[ie]
9	AP8224279	Main wiring harness	1	<b>Country:</b> Austria[A], Belgium[B], Switzerland[CH], Germany[D], Denmark[DK], Spain[E], France[F], Greece[GR], Italy[I], Holland[NL], Portugal[P], Great Britain[UK] <b>Technical Specifications:</b> Engine with carburettor[carb]
9	AP8224320	Main wiring harness	1	<b>Country:</b> Japan[J], Japan[JJ]
9	AP8224401	Main wiring harness	1	<b>Country:</b> United States of America[AM], United States of America[USA] <b>Technical Specifications:</b> Not for hight quota Kit[NAK]
9	AP8224491	Main wiring harness	1	<b>Country:</b> United States of America[AM], United States of America[USA] <b>Technical Specifications:</b> For hight quota Kit[KA]
9	AP8224491	Main wiring harness	1	<b>Country:</b> Canadian[CA], Canadian[CN]

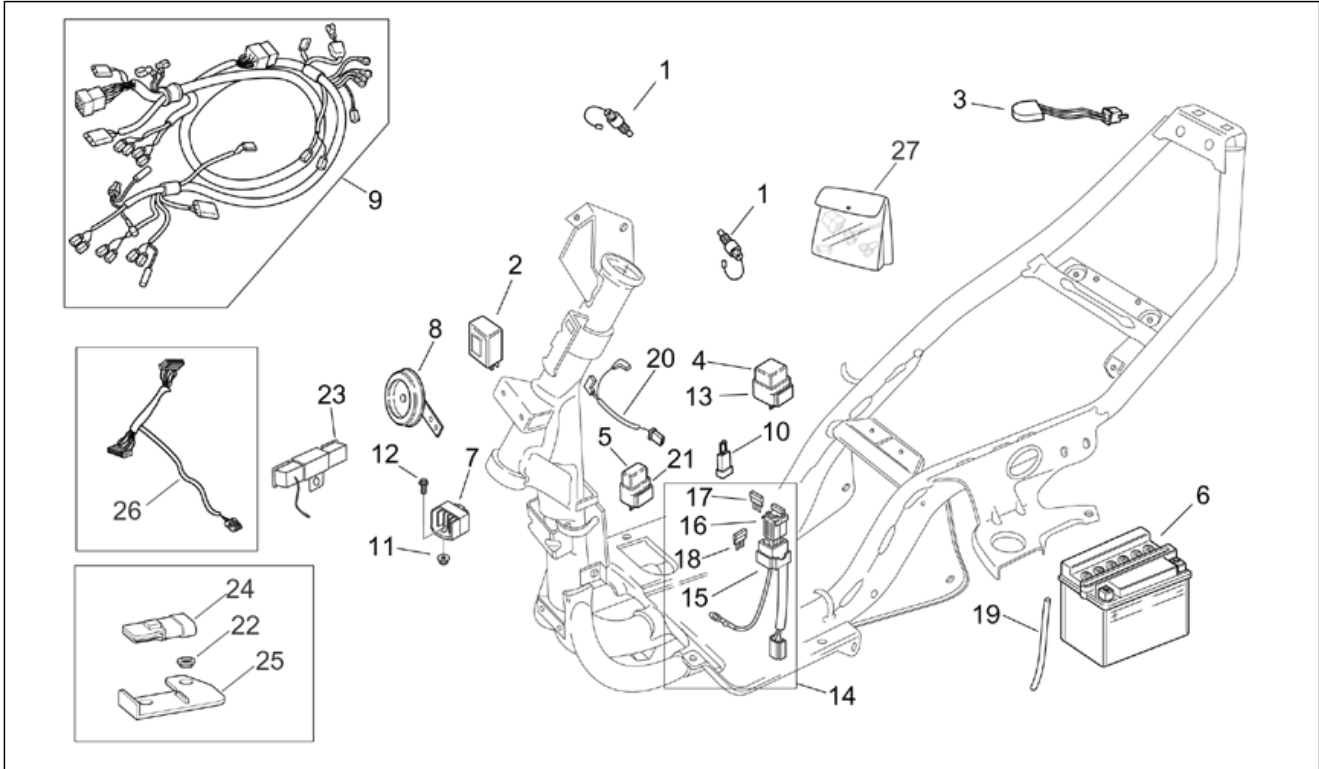
<b>Group</b>	FRAME
<b>Code</b>	28.33
<b>Description</b>	Electrical system
<b>Service</b>	1



Pos.	Code	Description	Qty	Variants
10	AP8212382	Diode	1	
11	AP8152299	Self-locking nut M6	1	
12	AP8152278	Screw w/ flange M6x16	1	
13	AP8220546	Relay rubber	1	
14	AP8224073	Fuse cable	1	
15	AP8112811	Rubber fuse box	1	
16	AP8120754	Rubber fuse box	2	
17	AP8112176	Fuse 15A	2	
18	AP8112244	Fuse 7,5A	1	<b>Technical Specifications:</b> Engine with carburettor[carb]
18	AP8124857	Fuse	1	<b>Technical Specifications:</b> "DITECH" engine with direct fuel injection[ie]
19	AP8220263	Breather pipe 4x8	1	<b>Technical Specifications:</b> Engine with carburettor[carb]
20	AP8224326	Heater wiring	1	<b>Technical Specifications:</b> Engine with carburettor[carb]
21	AP8220283	Rubber spacer *	1	<b>Technical Specifications:</b> "DITECH" engine with direct fuel injection[ie]
22	AP8121811	T bush	1	<b>Country:</b> United States of America[AM], Canadian[CA], Canadian[CN], United States of America[USA] <b>Technical Specifications:</b> "DITECH" engine with direct fuel injection[ie]
23	AP8224170	Resistance with harness	1	<b>Technical Specifications:</b> "DITECH" engine with direct fuel injection[ie], Lights switch[SD]
24	AP8224478	Pressure sensor	1	<b>Country:</b> United States of America[AM], Canadian[CA], Canadian[CN], United States of America[USA] <b>Technical Specifications:</b> "DITECH" engine with direct fuel injection[ie]
25	AP8234210	Sensor support	1	<b>Country:</b> United States of America[AM], Canadian[CA], Canadian[CN], United States of America[USA] <b>Technical Specifications:</b> "DITECH" engine with direct fuel injection[ie]
26	AP8224492	High quota wiring	1	<b>Country:</b> United States of America[AM], Canadian[CA], Canadian[CN], United States of America[USA]

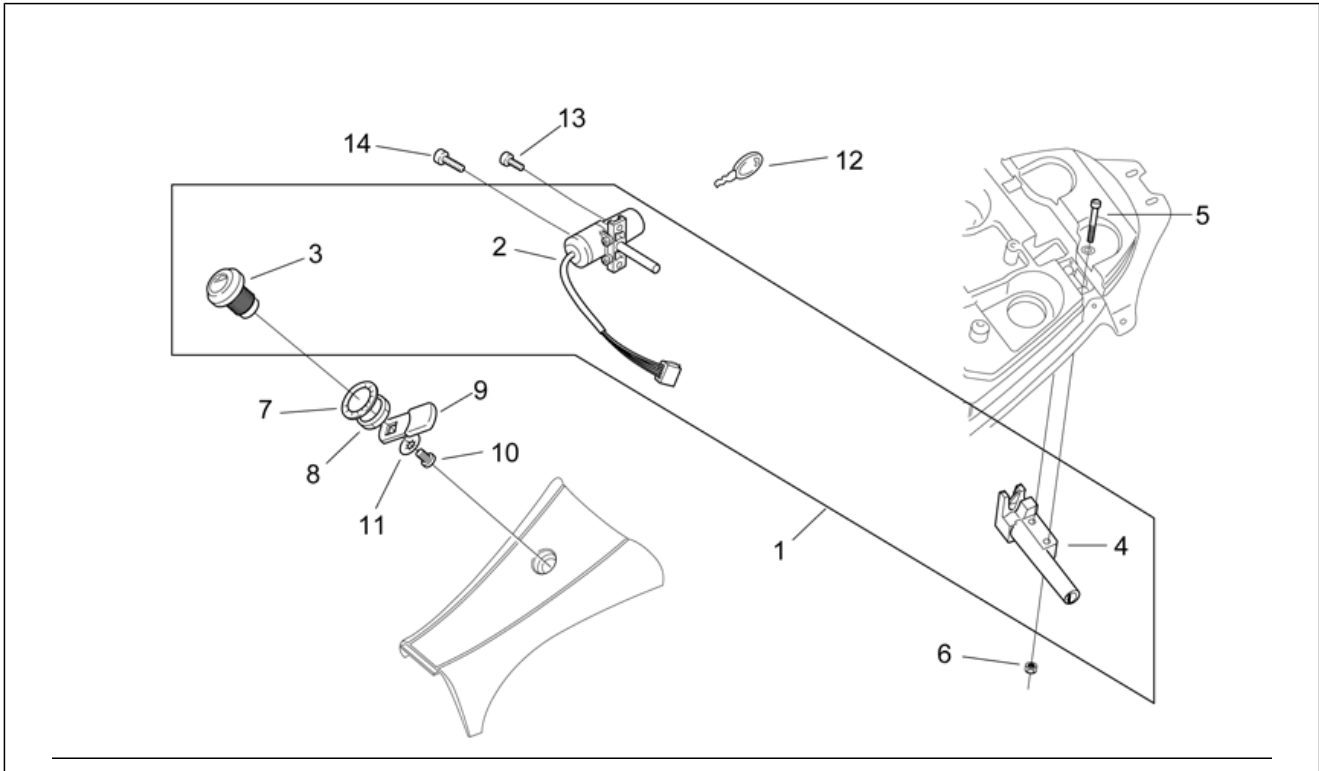


<b>Group</b>	FRAME
<b>Code</b>	28.33
<b>Description</b>	Electrical system
<b>Service</b>	1



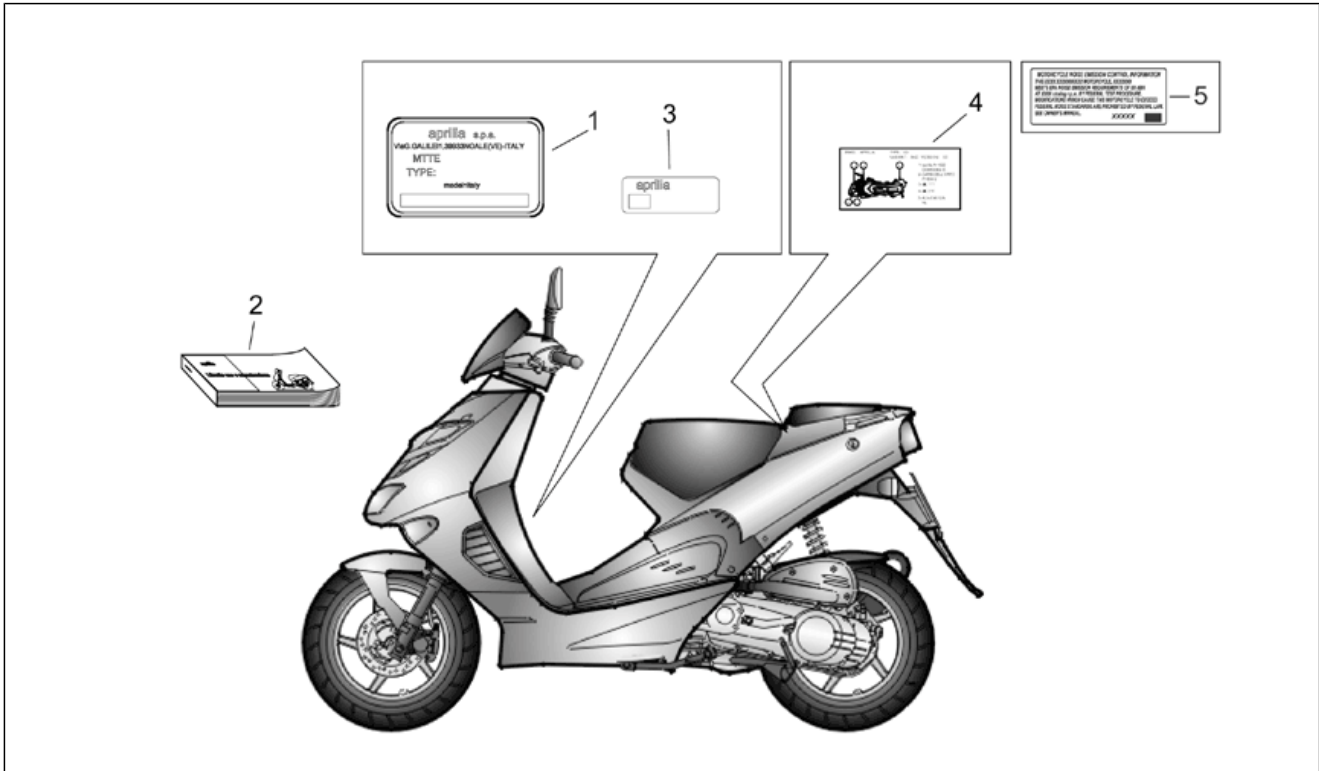
Pos.	Code	Description	Qty	Variants
				<b>Technical Specifications:</b> "DITECH" engine with direct fuel injection[ie]
27	AP8127477	Injection wiring	1	

<b>Group</b>	FRAME
<b>Code</b>	28.34
<b>Description</b>	Lock hardware kit
<b>Service</b>	1



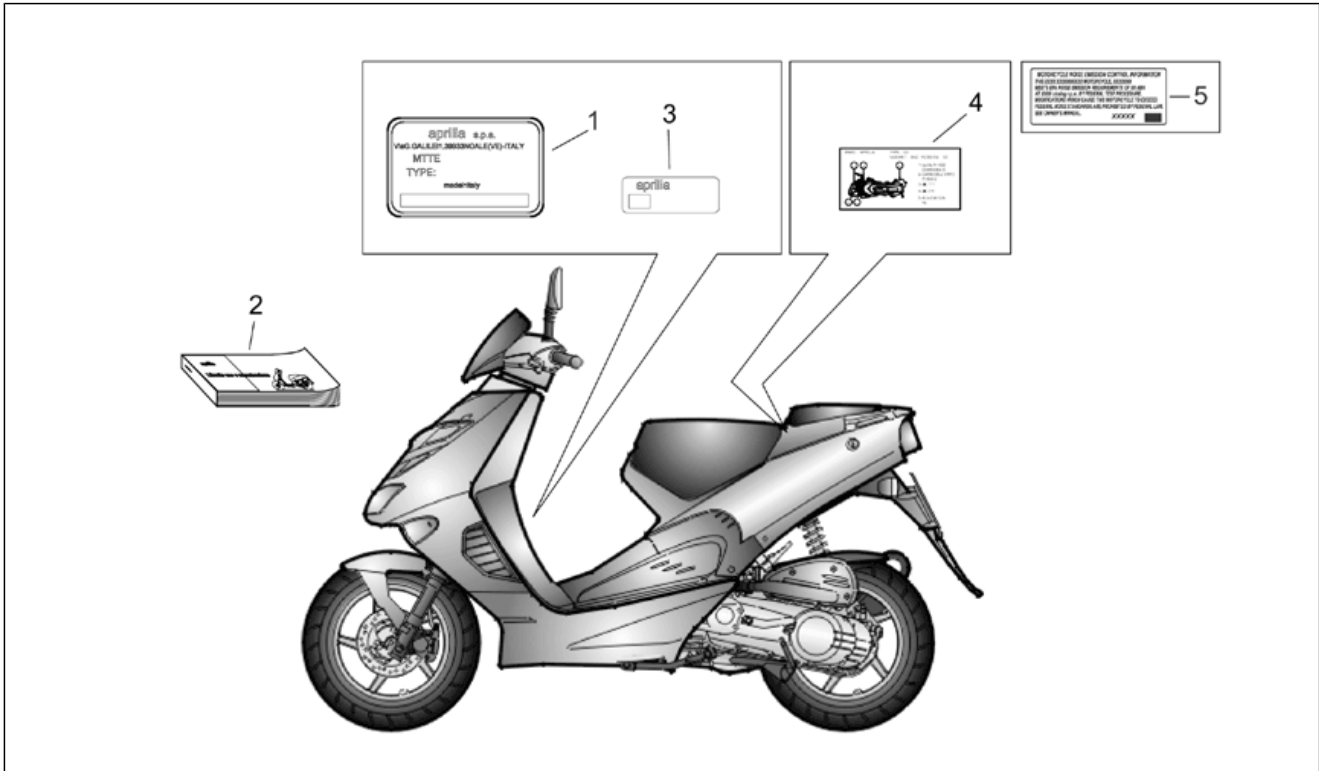
Pos.	Code	Description	Qty	Variants
1	AP8202218	Lock kit	1	
2	AP8224343	Main switch - steering lock	1	
3	AP8202247	Lock	1	
4	AP8202246	Saddle lock	1	
5	AP8152283	Screw w/ flange	2	
6	AP8150430	Low self-locking nut	2	
7	AP8221312	Notched washer	1	
8	AP8152194	Low nut M19x1*	1	
9	AP8201620	Lever	1	
10	AP8201749	Screw M4x6	1	
11	AP8201748	Washer	1	
12	AP8102880	Aprilia milled key	1	
13	AP8152140	Shear rivet M6x17	1	
14	AP8150137	Hex socket screw	1	

<b>Group</b>	FRAME
<b>Code</b>	28.35
<b>Description</b>	Plate set and handbook
<b>Service</b>	1



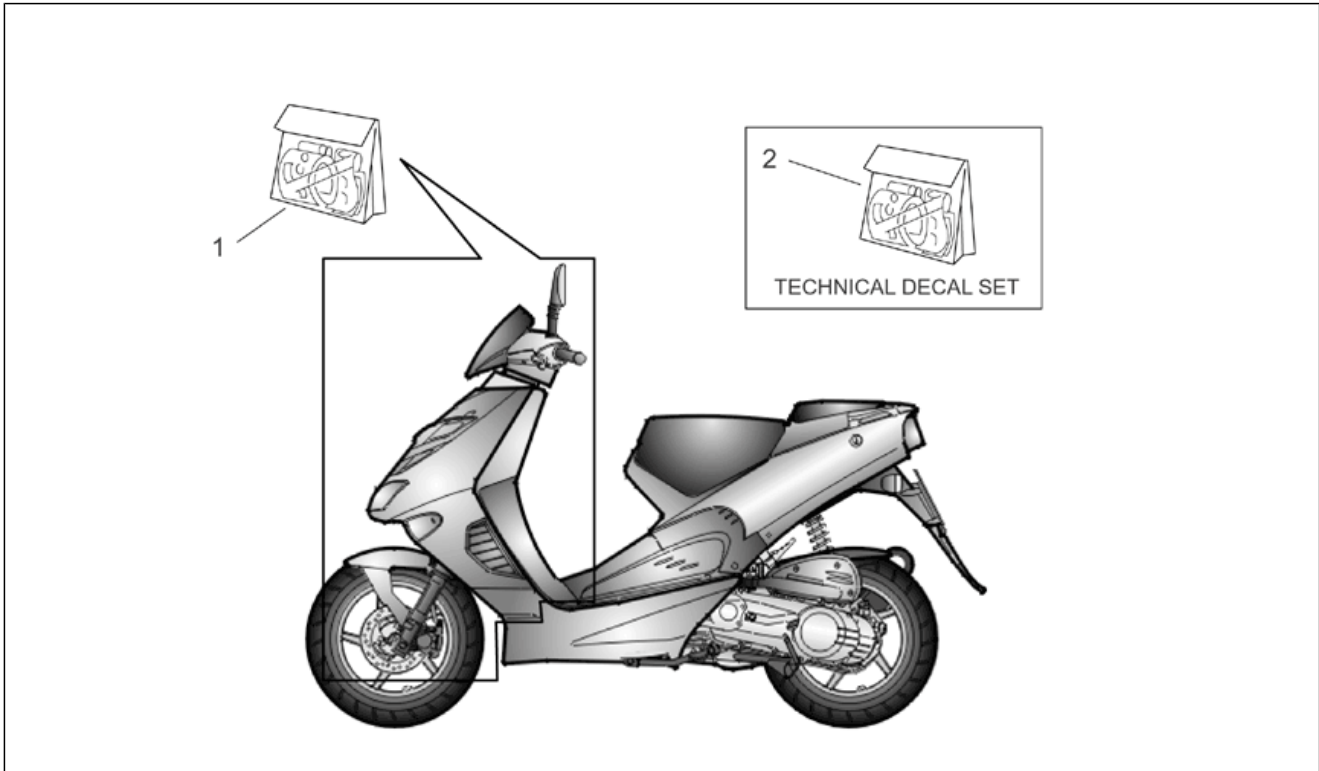
Pos.	Code	Description	Qty	Variants
1	AP8257757	Constructor dataplate	1	<b>Technical Specifications:</b> Engine with carburettor[carb]
1	AP8257842	Constructor dataplate	1	<b>Country:</b> Austria[A], Belgium[B], Switzerland[CH], Germany[D], Denmark[DK], Spain[E], A, B, CH, D, DK, E, F, I, NL, P, UK[EU], France[F], Italy[I], Japan[J], Japan[JJ], Holland[NL], Portugal[P], Great Britain[UK] <b>Technical Specifications:</b> Spare part with EURO1 omologation[E1], "DITECH" engine with direct fuel injection[ie]
1	AP8267368	Constructor dataplate	1	<b>Technical Specifications:</b> Version 25 Kw[25k]
1	AP8267393	Constructor dataplate	1	<b>Country:</b> United States of America[AM], United States of America[USA] <b>Technical Specifications:</b> "DITECH" engine with direct fuel injection[ie]
1	AP8267398	Constructor dataplate	1	<b>Country:</b> Austria[A], Belgium[B], Switzerland[CH], Germany[D], Denmark[DK], Spain[E], A, B, CH, D, DK, E, F, I, NL, P, UK[EU], France[F], Italy[I], Japan[J], Japan[JJ], Holland[NL], Portugal[P], Great Britain[UK] <b>Technical Specifications:</b> Spare part with EURO2 omologation[E2], "DITECH" engine with direct fuel injection[ie]
1	AP8267586	Constructor dataplate	1	<b>Country:</b> Australia[AA], Australia[AUS] <b>Technical Specifications:</b> "DITECH" engine with direct fuel injection[ie]
1	AP8277039	Constructor dataplate	1	<b>Country:</b> Canadian[CA], Canadian[CN] <b>Technical Specifications:</b> "DITECH" engine with direct fuel injection[ie]
2	AP8202223	Operator's handbook-I-F-D-	1	<b>Country:</b> Austria[A], Belgium[B], Switzerland[CH], Germany[D], France[F], Italy[I]
2	AP8202224	Operator's handbook-NL-DK-SF-	1	<b>Country:</b> Belgium[B], Denmark[DK], Holland[NL]
2	AP8202225	Operator's handbook-P-E-UK-	1	<b>Country:</b> Australia[AA], Australia[AUS], Spain[E], Portugal[P], Great Britain[UK]
2	AP8202226	Operator's handbook-GR-J-UK-	1	<b>Country:</b> Greece[GR], Japan[J], Japan[JJ]
2	AP8202282	Operator's handbook -USA-	1	<b>Country:</b> United States of America[AM], Canadian[CA], Canadian[CN], United States of America[USA]

<b>Group</b>	FRAME
<b>Code</b>	28.35
<b>Description</b>	Plate set and handbook
<b>Service</b>	1



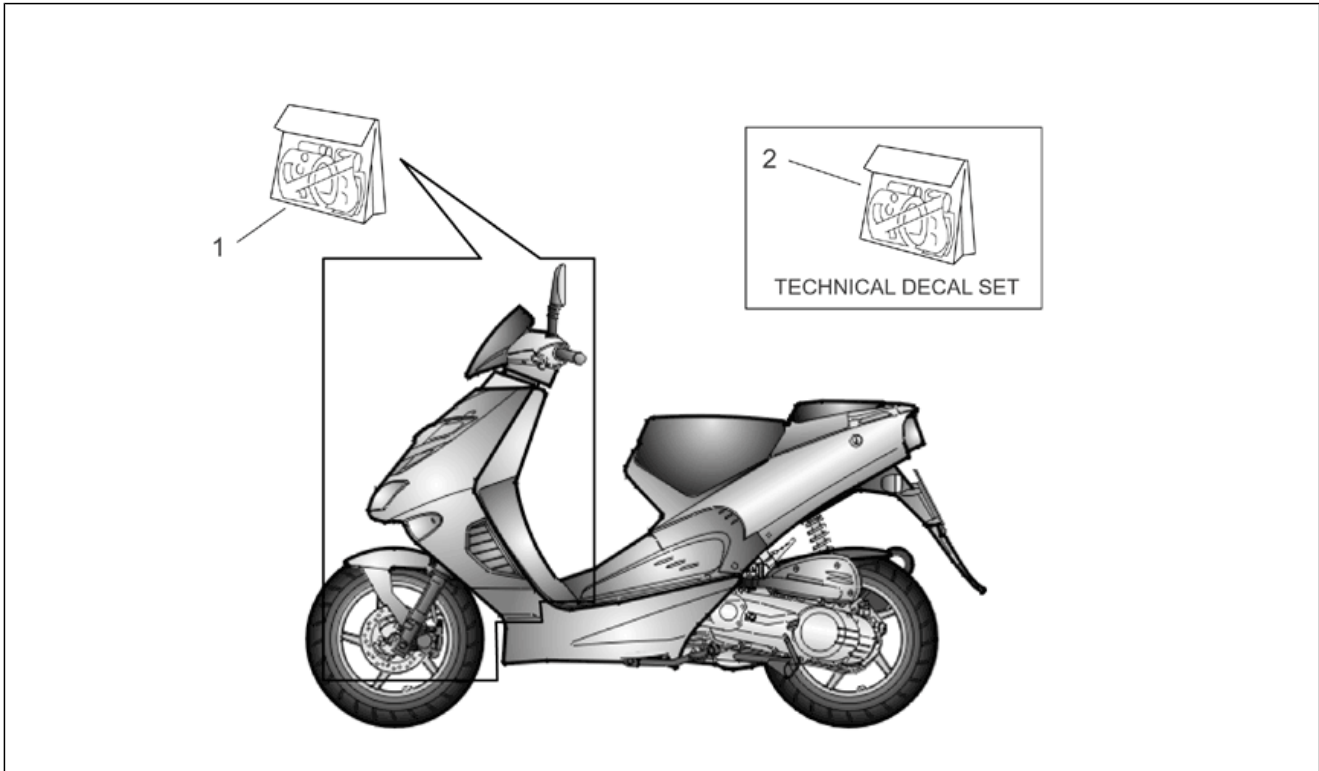
Pos.	Code	Description	Qty	Variants
3	AP8257973	ECE dataplate	1	<b>Country:</b> Australia[AA], Australia[AUS], Japan[J], Japan[JJ]
4	AP8257841	Tamperproof dataplate	1	<b>Technical Specifications:</b> Engine with carburettor[carb]
4	AP8257843	Tamperproof dataplate	1	<b>Country:</b> Austria[A], United States of America[AM], Belgium[B], Canadian[CA], Switzerland[CH], Canadian[CN], Germany[D], Denmark[DK], Spain[E], A, B, CH, D, DK, E, F, I, NL, P, UK[EU], France[F], Italy[I], Holland[NL], Portugal[P], Great Britain[UK], United States of America[USA] <b>Technical Specifications:</b> Spare part with EURO1 omologation[E1], "DITECH" engine with direct fuel injection[ie]
4	AP8267397	Tamperproof dataplate	1	<b>Country:</b> Austria[A], United States of America[AM], Belgium[B], Canadian[CA], Switzerland[CH], Canadian[CN], Germany[D], Denmark[DK], Spain[E], A, B, CH, D, DK, E, F, I, NL, P, UK[EU], France[F], Italy[I], Holland[NL], Portugal[P], Great Britain[UK], United States of America[USA] <b>Technical Specifications:</b> Spare part with EURO2 omologation[E2], "DITECH" engine with direct fuel injection[ie]
5	AP8167659	Noise emission sticker	1	<b>Year:</b> 2002[2], 2003[3] <b>Country:</b> United States of America[AM], Canadian[CA], Canadian[CN], United States of America[USA] <b>Technical Specifications:</b> "DITECH" engine with direct fuel injection[ie]
5	AP8277444	Noise emission sticker	1	<b>Year:</b> 2004[4] <b>Country:</b> United States of America[AM], Canadian[CA], Canadian[CN], United States of America[USA] <b>Technical Specifications:</b> "DITECH" engine with direct fuel injection[ie]

<b>Group</b>	FRAME
<b>Code</b>	28.36
<b>Description</b>	Front body and technical decal
<b>Service</b>	1



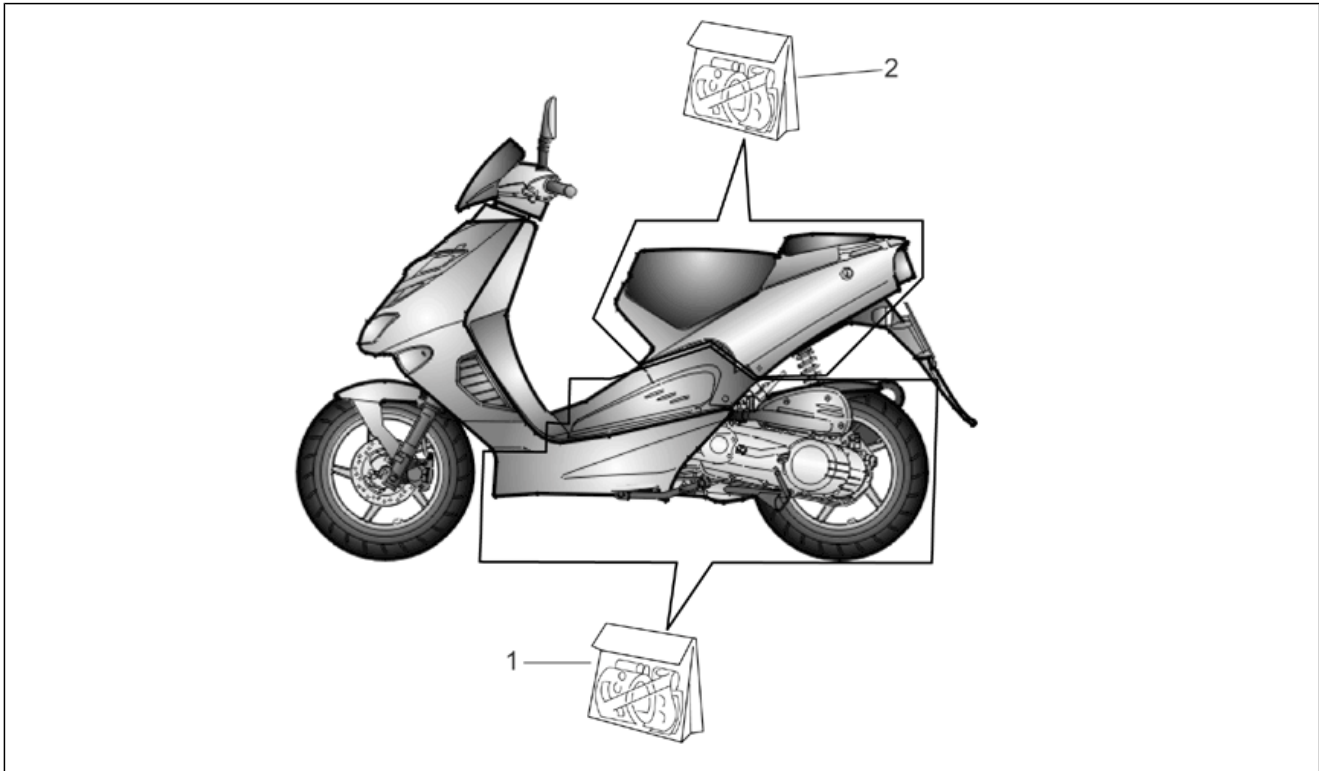
Pos.	Code	Description	Qty	Variants
1	AP8267191	Front body decal set	1	Year:2001[1], 2000[Y] Vehicle colour:Electric Blue "Sport" 2000-2001[el.bl]
1	AP8267194	Front body decal set	1	Year:2001[1], 2000[Y] Vehicle colour:Hot Red "Sport" 2000-2001[h.red]
1	AP8267197	Front body decal set	1	Year:2001[1], 2000[Y] Vehicle colour:Nik Grey "Racing" 2000-2001[gr/ye]
1	AP8267200	Front body decal set	1	Year:2001[1], 2000[Y] Vehicle colour:Aprilia Black "Racing" 2000-2001[bl/re]
1	AP8267404	Front body decal set	1	Year:2001[1] Vehicle colour:Diablo Black 2001-2002[bl.di] Technical Specifications:"DITECH" engine with direct fuel injection[ie]
1	AP8267405	Front body decal set	1	Year:2001[1] Vehicle colour:Lemon Yellow 2001[le.ye] Technical Specifications:"DITECH" engine with direct fuel injection[ie]
1	AP8267411	Front body decal set	1	Year:2001[1] Vehicle colour:Lemon Yellow 2001[le.ye] Technical Specifications:Engine with carburettor[carb]
1	AP8267592	Front body decal set	1	Year:2002[2] Vehicle colour:Diablo Black 2001-2002[bl.di]
1	AP8267593	Front body decal set	1	Year:2002[2] Vehicle colour:Dust Grey 2002[du/gr]
1	AP8267657	Front body decal set	1	Year:2002[2] Vehicle colour:Silver Strained 2002[st.si]
1	AP8267704	Front body decal set	1	Year:2002[2] Vehicle colour:Haga 2002[haga]
1	AP8267898	Front body decal set	1	Year:2003[3] Vehicle colour:Tuono 2003[tuono] Technical Specifications:"DITECH" engine with direct fuel injection[ie]
1	AP8267899	Front body decal set	1	Year:2003[3] Vehicle colour:SBK "Racing" 2003[sbk]

<b>Group</b>	FRAME
<b>Code</b>	28.36
<b>Description</b>	Front body and technical decal
<b>Service</b>	1



Pos.	Code	Description	Qty	Variants
				<b>Technical Specifications:</b> "DITECH" engine with direct fuel injection[ie]
1	AP8267900	Front body decal set	1	<b>Year:</b> 2003[3] <b>Vehicle colour:</b> GP1 2003[gp1] <b>Technical Specifications:</b> "DITECH" engine with direct fuel injection[ie]
1	AP8267901	Front body decal set	1	<b>Year:</b> 2003[3] <b>Vehicle colour:</b> Red Tulip 2003[t.red] <b>Technical Specifications:</b> "DITECH" engine with direct fuel injection[ie]
1	AP8267902	Front body decal set	1	<b>Year:</b> 2003[3], 2004[4] <b>Vehicle colour:</b> Limited blue "Racing" 2003[b.lim] <b>Technical Specifications:</b> "DITECH" engine with direct fuel injection[ie]
1	AP8277017	Front body decal set	1	<b>Year:</b> 2003[3] <b>Vehicle colour:</b> Fluo red 2003[r.flu]
1	AP8277332	Front body decal set	1	<b>Year:</b> 2004[4] <b>Vehicle colour:</b> Fluo Red 2004[r.fluo] <b>Country:</b> United States of America[AM], Canadian[CA], Canadian[CN], United States of America[USA]
1	AP8277334	Front body decal set	1	<b>Year:</b> 2004[4] <b>Vehicle colour:</b> Poggiali White 2004[RP] <b>Country:</b> United States of America[AM], Canadian[CA], Canadian[CN], United States of America[USA]
2	AP8267249	Technical decal set	1	<b>Country:</b> Austria[A], Australia[AA], Australia[AUS], Belgium[B], Switzerland[CH], Germany[D], Denmark[DK], Spain[E], A, B, CH, D, DK, E, F, I, NL, P, UK[EU], France[F], Greece[GR], Italy[I], Japan[J], Japan[JJ], Holland[NL], Portugal[P], Great Britain[UK]
2	AP8267440	Technical decal set	1	<b>Country:</b> United States of America[AM], Canadian[CA], Canadian[CN], United States of America[USA]

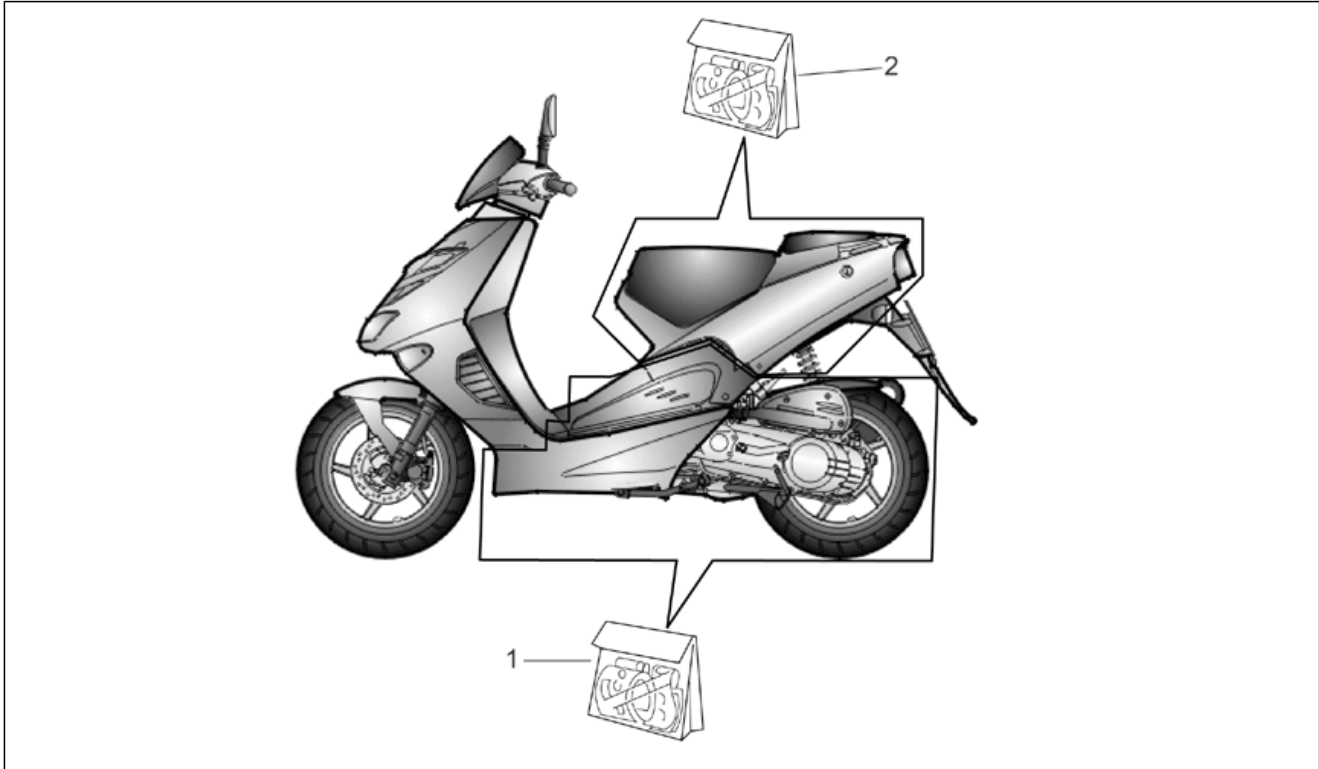
<b>Group</b>	FRAME
<b>Code</b>	28.37
<b>Description</b>	Central and rear body decal
<b>Service</b>	1



Pos.	Code	Description	Qty	Variants
1	AP8267192	Central body decal set	1	Year:2001[1], 2000[Y] Vehicle colour:Electric Blue "Sport" 2000-2001[el.bl] Technical Specifications:Engine with carburettor[carb]
1	AP8267195	Central body decal set	1	Year:2001[1], 2000[Y] Vehicle colour:Hot Red "Sport" 2000-2001[h.red] Technical Specifications:Engine with carburettor[carb]
1	AP8267198	Central body decal set	1	Year:2001[1], 2000[Y] Vehicle colour:Nik Grey "Racing" 2000-2001[gr/ye] Technical Specifications:Engine with carburettor[carb]
1	AP8267201	Central body decal set	1	Year:2001[1], 2000[Y] Vehicle colour:Aprilia Black "Racing" 2000-2001[bl/re] Technical Specifications:Engine with carburettor[carb]
1	AP8267288	Central body decal set	1	Year:2001[1], 2000[Y] Vehicle colour:Aprilia Black "Racing" 2000-2001[bl/re] Technical Specifications:"DITECH" engine with direct fuel injection[ie]
1	AP8267289	Central body decal set	1	Year:2001[1], 2000[Y] Vehicle colour:Nik Grey "Racing" 2000-2001[gr/ye] Technical Specifications:"DITECH" engine with direct fuel injection[ie]
1	AP8267290	Central body decal set	1	Year:2001[1], 2000[Y] Vehicle colour:Hot Red "Sport" 2000-2001[h.red] Technical Specifications:"DITECH" engine with direct fuel injection[ie]
1	AP8267291	Central body decal set	1	Year:2001[1], 2000[Y] Vehicle colour:Electric Blue "Sport" 2000-2001[el.bl] Technical Specifications:"DITECH" engine with direct fuel injection[ie]
1	AP8267406	Central body decal set	1	Year:2001[1] Vehicle colour:Diablo Black 2001-2002[bl.di] Technical Specifications:"DITECH" engine with direct fuel injection[ie]
1	AP8267407	Central body decal set	1	Year:2001[1] Vehicle colour:Lemon Yellow 2001[le.ye]

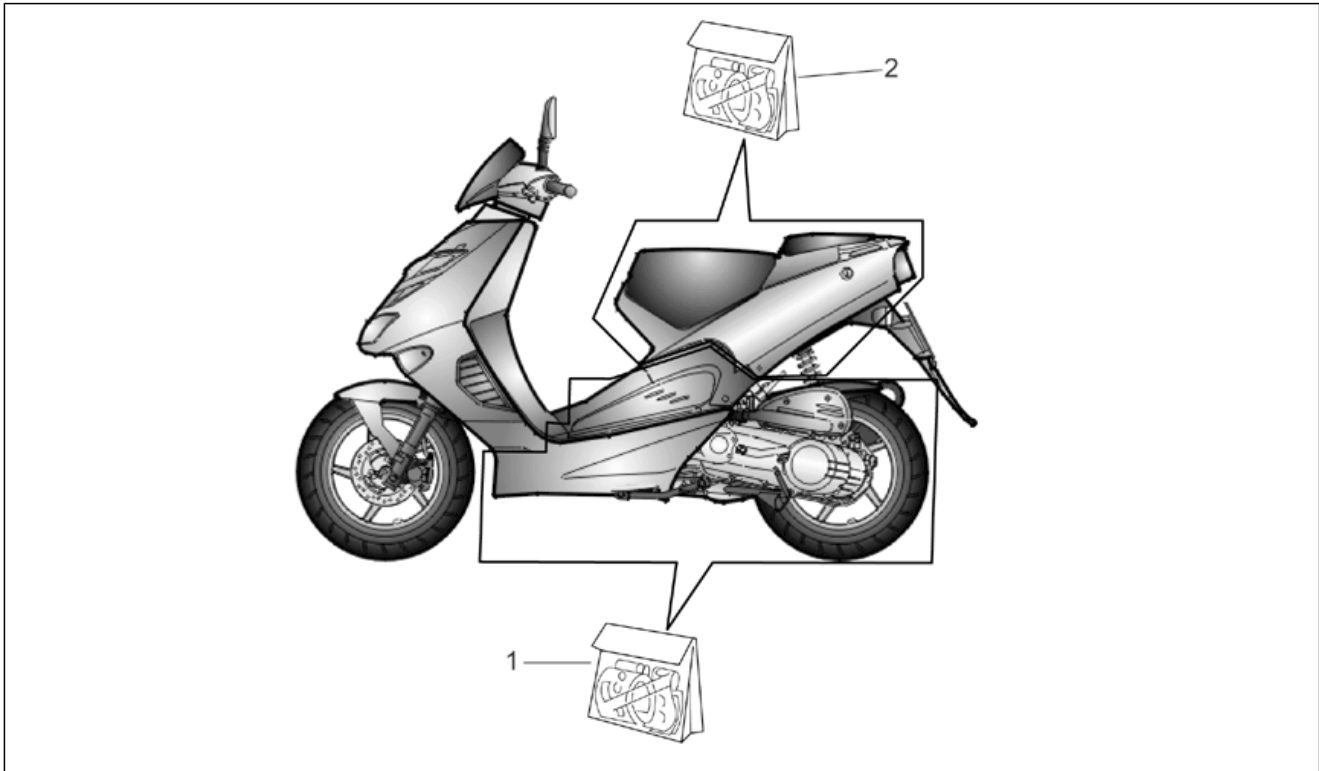


<b>Group</b>	FRAME
<b>Code</b>	28.37
<b>Description</b>	Central and rear body decal
<b>Service</b>	1



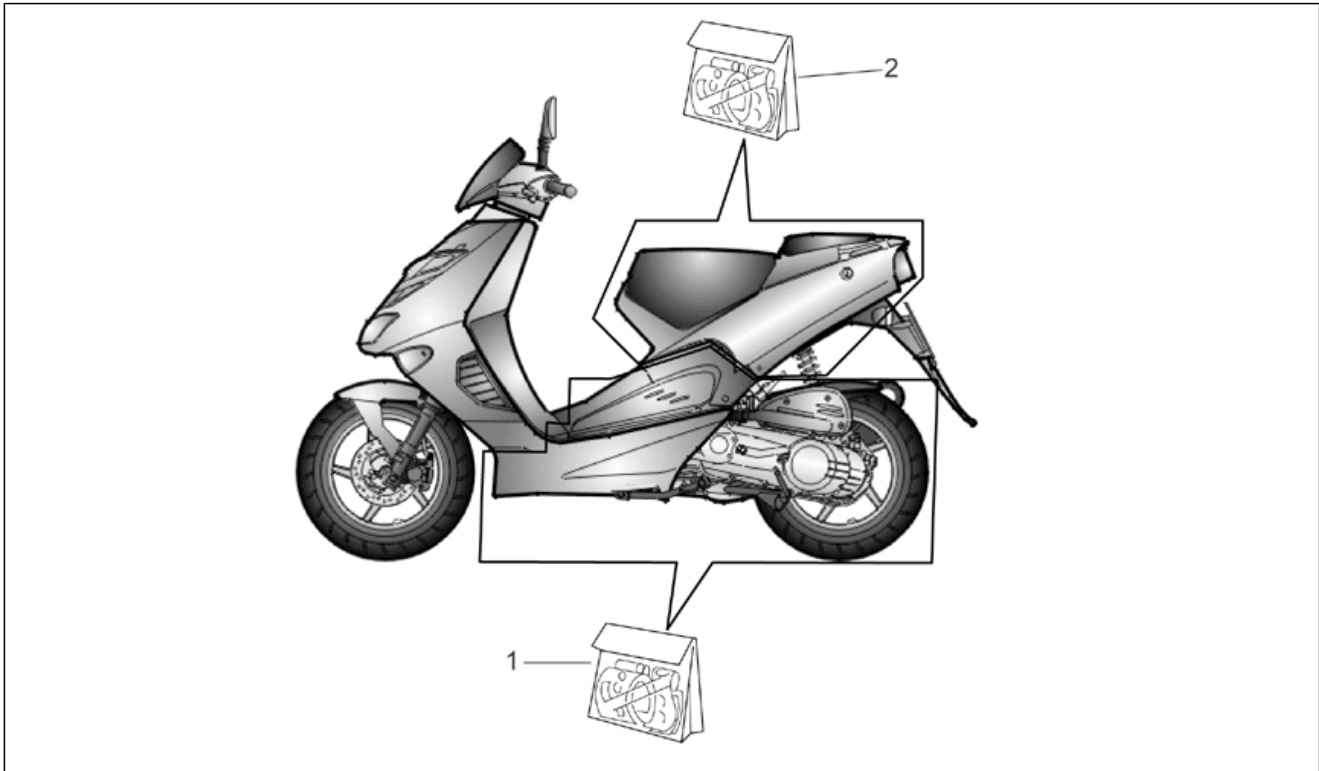
Pos.	Code	Description	Qty	Variants
				<b>Technical Specifications:</b> "DITECH" engine with direct fuel injection[ie]
1	AP8267412	Central body decal set	1	<b>Year:</b> 2001[1] <b>Vehicle colour:</b> Lemon Yellow 2001[le.ye] <b>Technical Specifications:</b> Engine with carburettor[carb]
1	AP8267594	Central body decal set	1	<b>Year:</b> 2002[2] <b>Vehicle colour:</b> Diablo Black 2001-2002[bl.di]
1	AP8267595	Central body decal set	1	<b>Year:</b> 2002[2] <b>Vehicle colour:</b> Dust Grey 2002[du.gr]
1	AP8267656	Central body decal set	1	<b>Year:</b> 2002[2] <b>Vehicle colour:</b> Silver Strained 2002[st.si]
1	AP8267703	Central body decal set	1	<b>Year:</b> 2002[2] <b>Vehicle colour:</b> Haga 2002[haga]
1	AP8267903	Central body decal set	1	<b>Year:</b> 2003[3] <b>Vehicle colour:</b> Tuono 2003[tuono]
1	AP8267903	Central body decal set	1	<b>Year:</b> 2003[3] <b>Vehicle colour:</b> GP1 2003[gp1]
1	AP8267904	Central body decal set	1	<b>Year:</b> 2003[3] <b>Vehicle colour:</b> SBK "Racing" 2003[sbk]
1	AP8267906	Central body decal set	1	<b>Year:</b> 2003[3] <b>Vehicle colour:</b> Red Tulip 2003[t.red]
1	AP8267907	Central body decal set	1	<b>Year:</b> 2003[3], 2004[4] <b>Vehicle colour:</b> Limited blue "Racing" 2003[b.lim]
1	AP8277018	Central body decal set	1	<b>Year:</b> 2003[3] <b>Vehicle colour:</b> Fluo red 2003[r.flu]
1	AP8277337	Central body decal set	1	<b>Year:</b> 2004[4] <b>Vehicle colour:</b> Fluo Red 2004[r.fluo] <b>Country:</b> United States of America[AM], Canadian[CA], Canadian[CN], United States of America[USA]
1	AP8277339	Central body decal set	1	<b>Year:</b> 2004[4] <b>Vehicle colour:</b> Poggiali White 2004[RP] <b>Country:</b> United States of America[AM], Canadian[CA], Canadian[CN], United States of America[USA]

<b>Group</b>	FRAME
<b>Code</b>	28.37
<b>Description</b>	Central and rear body decal
<b>Service</b>	1



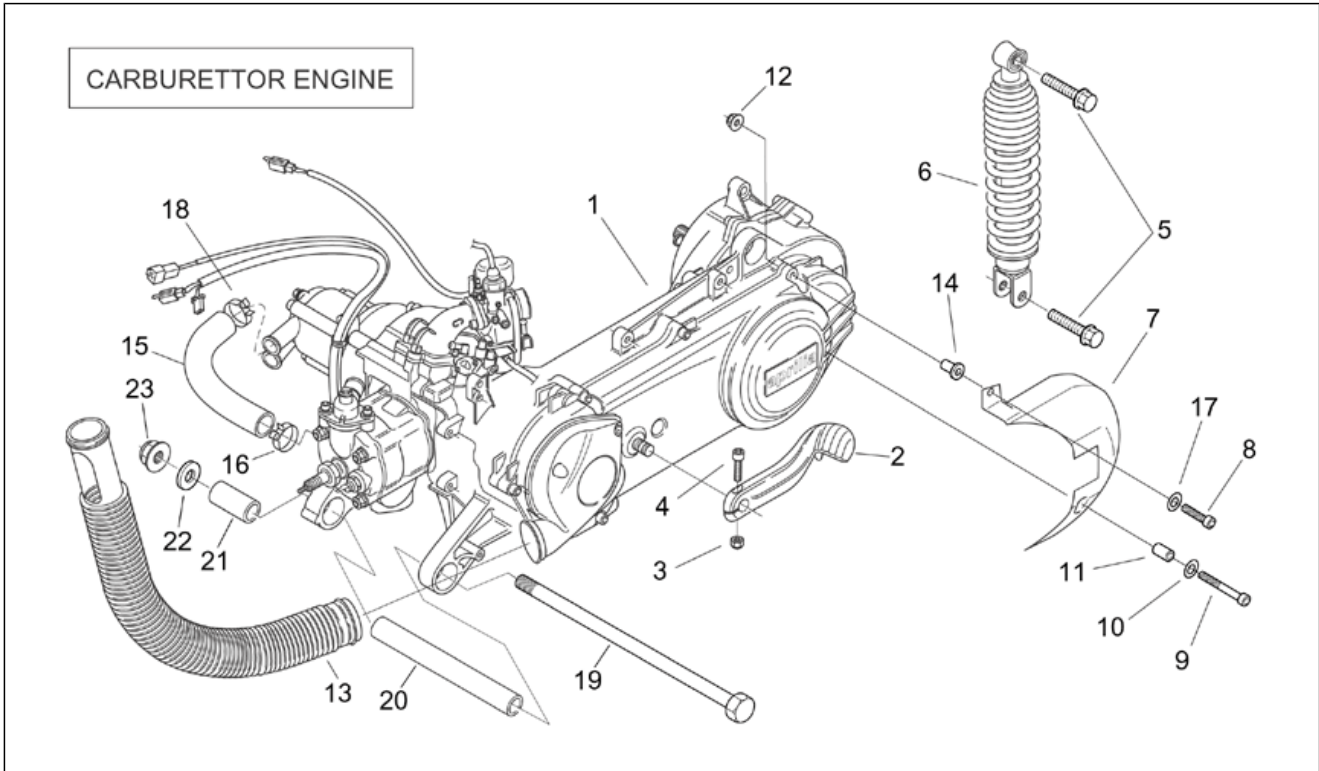
Pos.	Code	Description	Qty	Variants
2	AP8267193	Rear body decal set	1	Year:2001[1], 2000[Y] Vehicle colour:Electric Blue "Sport" 2000-2001[el.bl]
2	AP8267196	Rear body decal set	1	Year:2001[1], 2000[Y] Vehicle colour:Hot Red "Sport" 2000-2001[h.red]
2	AP8267199	Rear body decal set	1	Year:2001[1], 2000[Y] Vehicle colour:Nik Grey "Racing" 2000-2001[gr/ye]
2	AP8267202	Rear body decal set	1	Year:2001[1], 2000[Y] Vehicle colour:Aprilia Black "Racing" 2000-2001[bl/re]
2	AP8267408	Rear body decal set	1	Year:2001[1] Vehicle colour:Diablo Black 2001-2002[bl.di] Technical Specifications:"DITECH" engine with direct fuel injection[ie]
2	AP8267409	Rear body decal set	1	Year:2001[1] Vehicle colour:Lemon Yellow 2001[le.ye] Technical Specifications:"DITECH" engine with direct fuel injection[ie]
2	AP8267413	Rear body decal set	1	Year:2001[1] Vehicle colour:Lemon Yellow 2001[le.ye] Technical Specifications:Engine with carburettor[carb]
2	AP8267596	Rear body decal set	1	Year:2002[2] Vehicle colour:Diablo Black 2001-2002[bl.di]
2	AP8267597	Rear body decal set	1	Year:2002[2] Vehicle colour:Dust Grey 2002[du/gr]
2	AP8267655	Rear body decal set	1	Year:2002[2] Vehicle colour:Silver Strained 2002[st.si]
2	AP8267702	Rear body decal set	1	Year:2002[2] Vehicle colour:Haga 2002[haga]
2	AP8267908	Rear body decal set	1	Year:2003[3] Vehicle colour:Tuono 2003[tuono]
2	AP8267909	Rear body decal set	1	Year:2003[3] Vehicle colour:SBK "Racing" 2003[sbk]
2	AP8267910	Rear body decal set	1	Year:2003[3] Vehicle colour:GP1 2003[gp1]

<b>Group</b>	FRAME
<b>Code</b>	28.37
<b>Description</b>	Central and rear body decal
<b>Service</b>	1



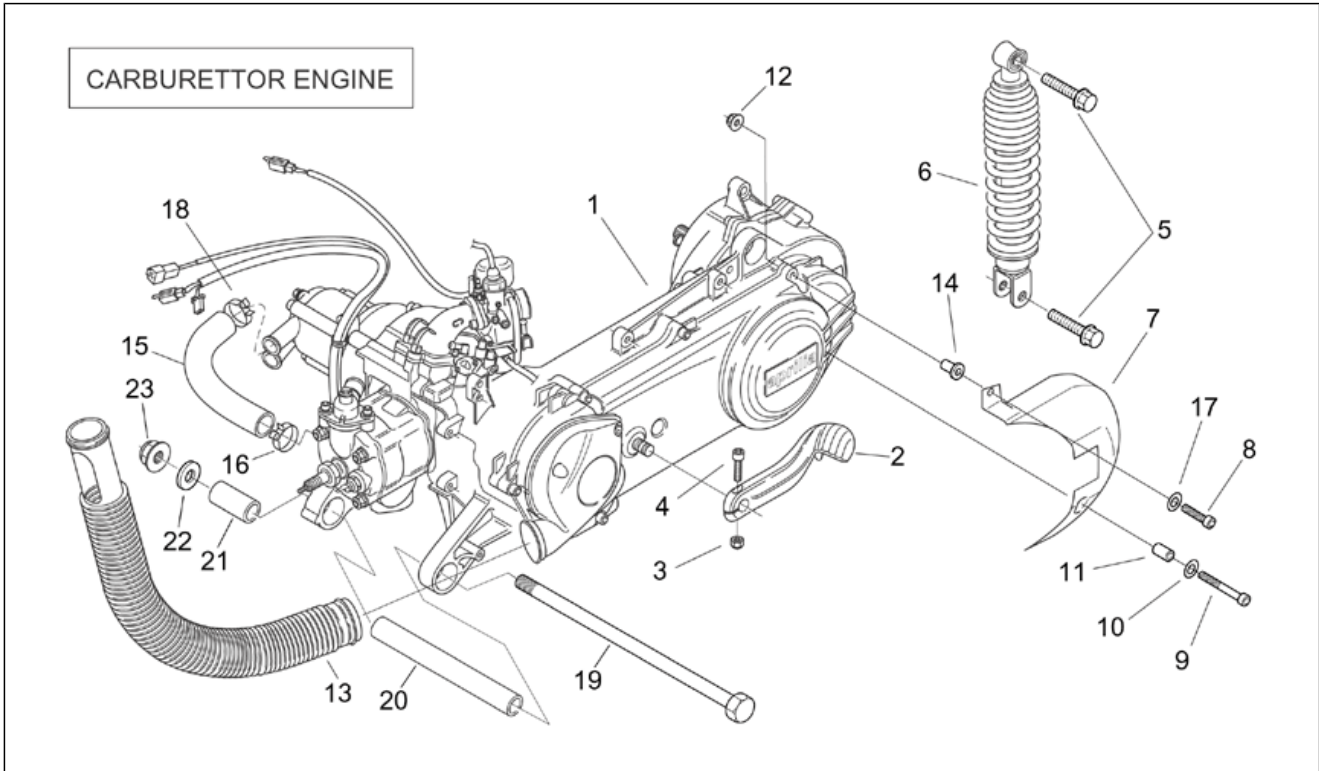
Pos.	Code	Description	Qty	Variants
2	AP8267911	Rear body decal set	1	Year:2003[3] Vehicle colour:Red Tulip 2003[t.red]
2	AP8267912	Rear body decal set	1	Year:2003[3], 2004[4] Vehicle colour:Limited blue "Racing" 2003[b.lim]
2	AP8277019	Rear body decal set	1	Year:2003[3] Vehicle colour:Fluo red 2003[r.flu]
2	AP8277342	Rear body decal set	1	Year:2004[4] Vehicle colour:Fluo Red 2004[r.fluo] Country:United States of America[AM], Canadian[CA], Canadian[CN], United States of America[USA]
2	AP8277344	Rear body decal set	1	Year:2004[4] Vehicle colour:Poggiali White 2004[RP] Country:United States of America[AM], Canadian[CA], Canadian[CN], United States of America[USA]

<b>Group</b>	ENGINE
<b>Code</b>	29.23
<b>Description</b>	Engine (Carburettor)
<b>Service</b>	1



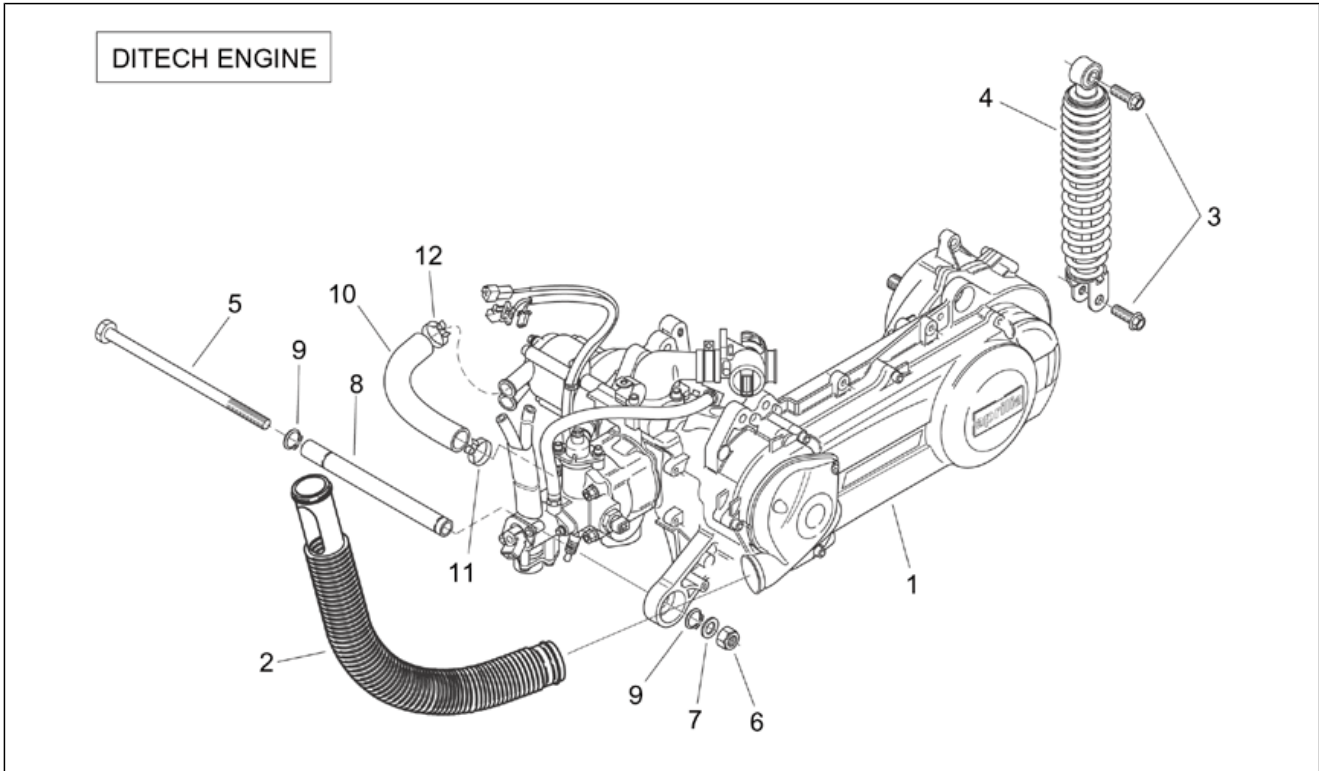
Pos.	Code	Description	Qty	Variants
1	AP8222692	Engine	1	<b>Country:</b> Austria[A], Belgium[B], Germany[D], Denmark[DK], Spain[E], France[F], Greece[GR], Italy[I], Japan[J], Holland[NL], Portugal[P], Great Britain[UK] <b>Technical Specifications:</b> Engine with carburettor[carb], Rear disc brake[f.d.]
1	AP8222724	Engine	1	<b>Country:</b> Switzerland[CH] <b>Technical Specifications:</b> Engine with carburettor[carb], Rear disc brake[f.d.]
1	AP8222776	Engine	1	<b>Technical Specifications:</b> Engine with carburettor[carb], Rear drum brake[f.t.]
2	AP8222715	Kick-start lever	1	<b>Technical Specifications:</b> Engine with carburettor[carb]
3	AP8150026	Nut M6	1	<b>Technical Specifications:</b> Engine with carburettor[carb]
4	AP8152282	Screw w/ flange M6x35	1	<b>Technical Specifications:</b> Engine with carburettor[carb]
5	AP8152318	Screw w/ flange M10x35	2	<b>Technical Specifications:</b> Engine with carburettor[carb]
6	AP8203977	Shock absorber-yellow ring	1	<b>Technical Specifications:</b> Engine with carburettor[carb]
6	AP8223024	Shock absorber-grey ring	1	<b>Technical Specifications:</b> Engine with carburettor[carb]
7	AP8249880	Variator cover, black	1	<b>Technical Specifications:</b> Engine with carburettor[carb]
8	AP8150165	Hex socket screw M6x25	1	<b>Technical Specifications:</b> Engine with carburettor[carb]
9	AP8150403	Hex socket screw	1	<b>Technical Specifications:</b> Engine with carburettor[carb]
10	AP8150179	Washer 6,6x18*	1	<b>Technical Specifications:</b> Engine with carburettor[carb]
11	AP8121020	Spacer 6,5x10x19*	1	<b>Technical Specifications:</b> Engine with carburettor[carb]
12	AP8152299	Self-locking nut M6	1	<b>Technical Specifications:</b> Engine with carburettor[carb]
13	AP8220562	Variator air intake	1	<b>Technical Specifications:</b> Engine with carburettor[carb]
14	AP8121728	T bush *	1	<b>Technical Specifications:</b> Engine with carburettor[carb]
15	AP3LAA000010	Pump-cylinder hose	1	<b>Technical Specifications:</b> Engine with carburettor[carb]
16	AP2FDN000175	Hose clamp	1	<b>Technical Specifications:</b> Engine with carburettor[carb]
17	AP8150014	Washer 6,4x12,5*	2	<b>Technical Specifications:</b> Engine with carburettor[carb]
18	AP2FDN000176	Hose clamp	1	<b>Technical Specifications:</b> Engine with carburettor[carb]
19	AP8221307	Pin M12	1	<b>Technical Specifications:</b> Engine with carburettor[carb]
20	AP8221314	Spacer 13x18x132	1	<b>Technical Specifications:</b> Engine with carburettor[carb]

<b>Group</b>	ENGINE
<b>Code</b>	29.23
<b>Description</b>	Engine (Carburettor)
<b>Service</b>	1



Pos.	Code	Description	Qty	Variants
21	AP8221313	Spacer 13x18x23	1	<b>Technical Specifications:</b> Engine with carburettor[carb]
22	AP8152018	Washer 12,2x22x2	1	<b>Technical Specifications:</b> Engine with carburettor[carb]
23	AP8150432	Low self-locking nut M12*	1	<b>Technical Specifications:</b> Engine with carburettor[carb]

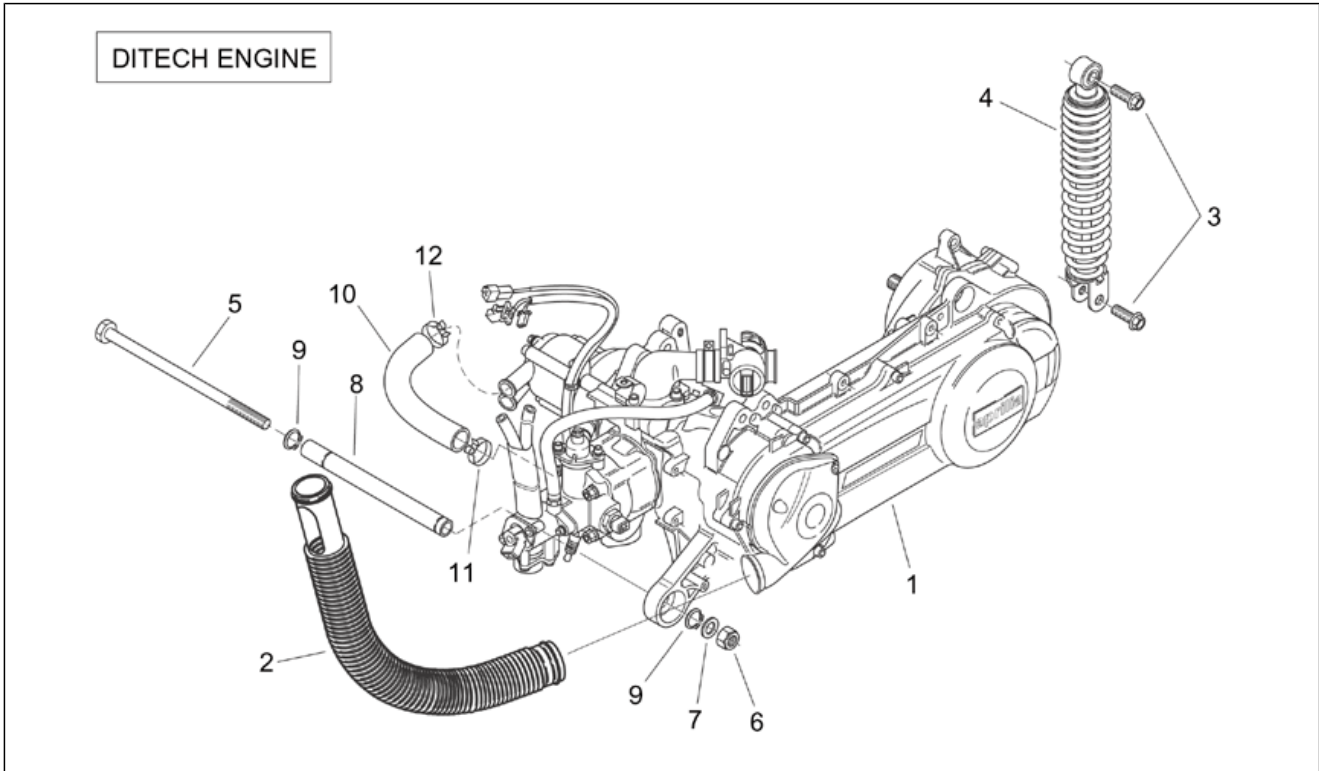
<b>Group</b>	ENGINE
<b>Code</b>	29.24
<b>Description</b>	Engine (Ditech)
<b>Service</b>	1



Pos.	Code	Description	Qty	Variants
1	AP8222681	Engine e.i.	1	<b>Year:</b> 2000[Y] <b>Technical Specifications:</b> Full Power Version[fp], "DITECH" engine with direct fuel injection[ie]
1	AP8222681	Engine e.i.	1	<b>Year:</b> 2001[1] <b>Country:</b> Austria[A], Australia[AA], Australia[AUS], Belgium[B], Switzerland[CH], Germany[D], Denmark[DK], Spain[E], A, B, CH, D, DK, E, F, I, NL, P, UK[EU], France[F], Italy[I], Japan[J], Japan[JJ], Holland[NL], Portugal[P], Great Britain[UK] <b>Technical Specifications:</b> Full Power Version[fp], "DITECH" engine with direct fuel injection[ie]
1	AP8222765	Engine e.i.	1	<b>Year:</b> 2002[2] <b>Country:</b> Austria[A], Australia[AA], Australia[AUS], Belgium[B], Switzerland[CH], Germany[D], Denmark[DK], Spain[E], A, B, CH, D, DK, E, F, I, NL, P, UK[EU], France[F], Italy[I], Japan[J], Japan[JJ], Holland[NL], Portugal[P], Great Britain[UK] <b>Technical Specifications:</b> Full Power Version[fp], "DITECH" engine with direct fuel injection[ie]
1	AP8222765	Engine e.i.	1	<b>Year:</b> 2001[1] <b>Country:</b> Austria[A], Australia[AA], Australia[AUS], Belgium[B], Switzerland[CH], Germany[D], Denmark[DK], Spain[E], A, B, CH, D, DK, E, F, I, NL, P, UK[EU], France[F], Italy[I], Japan[J], Japan[JJ], Holland[NL], Portugal[P], Great Britain[UK] <b>Technical Specifications:</b> Full Power Version[fp], "DITECH" engine with direct fuel injection[ie]
1	AP8222765	Engine e.i.	1	<b>Year:</b> 2000[Y] <b>Technical Specifications:</b> Full Power Version[fp], "DITECH" engine with direct fuel injection[ie]
1	AP8222768	Engine e.i.	1	<b>Year:</b> 2002[2] <b>Country:</b> United States of America[AM], United States of America[USA] <b>Technical Specifications:</b> "DITECH" engine with direct fuel injection[ie]
1	AP8222768	Engine e.i.	1	<b>Year:</b> 2001[1]



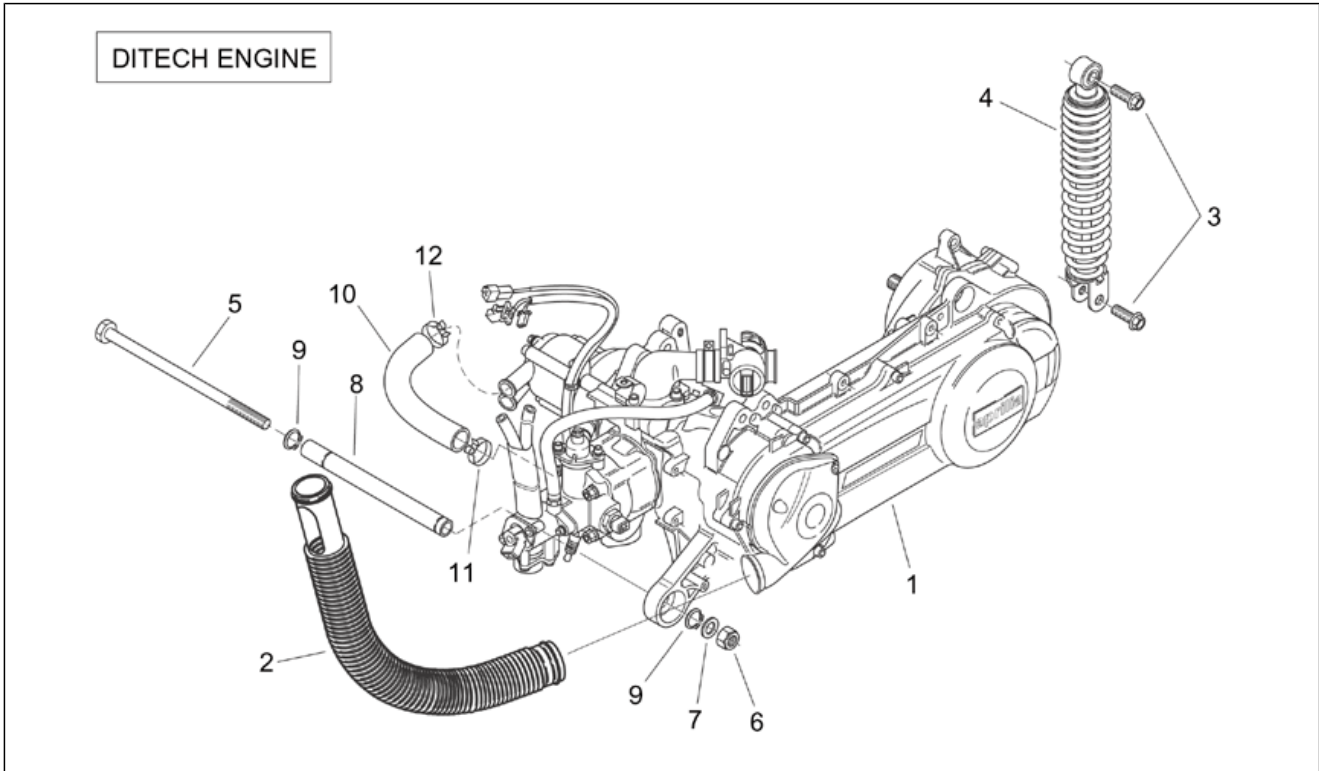
<b>Group</b>	ENGINE
<b>Code</b>	29.24
<b>Description</b>	Engine (Ditech)
<b>Service</b>	1



Pos.	Code	Description	Qty	Variants
				<b>Country:</b> United States of America[AM], United States of America[USA] <b>Technical Specifications:</b> "DITECH" engine with direct fuel injection[ie]
1	AP8222770	Engine e.i.	1	<b>Year:</b> 2001[1] <b>Country:</b> Belgium[B], Germany[D], Denmark[DK], A, B, CH, D, DK, E, F, I, NL, P, UK[EU], Holland[NL] <b>Technical Specifications:</b> Version 25 Kw[25k], "DITECH" engine with direct fuel injection[ie]
1	AP8222770	Engine e.i.	1	<b>Year:</b> 2002[2] <b>Country:</b> Belgium[B], Germany[D], Denmark[DK], A, B, CH, D, DK, E, F, I, NL, P, UK[EU], Holland[NL] <b>Technical Specifications:</b> Version 25 Kw[25k], "DITECH" engine with direct fuel injection[ie]
1	AP8222771	Engine e.i.	1	<b>Year:</b> 2001[1] <b>Country:</b> Belgium[B], Germany[D], Denmark[DK], A, B, CH, D, DK, E, F, I, NL, P, UK[EU], Holland[NL] <b>Technical Specifications:</b> Version 25 Kw[25k], "DITECH" engine with direct fuel injection[ie]
1	AP8222771	Engine e.i.	1	<b>Year:</b> 2002[2] <b>Country:</b> Belgium[B], Germany[D], Denmark[DK], A, B, CH, D, DK, E, F, I, NL, P, UK[EU], Holland[NL] <b>Technical Specifications:</b> Version 25 Kw[25k], "DITECH" engine with direct fuel injection[ie]
1	AP8222771	Engine e.i.	1	<b>Year:</b> 2000[Y] <b>Technical Specifications:</b> Version 25 Kw[25k], "DITECH" engine with direct fuel injection[ie]
1	AP8222775	Engine e.i.	1	<b>Year:</b> 2001[1] <b>Country:</b> Austria[A], Australia[AA], Australia[AUS], Belgium[B], Switzerland[CH], Germany[D], Denmark[DK], Spain[E], A, B, CH, D, DK, E, F, I, NL, P, UK[EU], France[F], Italy[I], Japan[J], Japan[JJ], Holland[NL], Portugal[P], Great Britain[UK] <b>Technical Specifications:</b> Full Power Version[fp], "DITECH" engine with direct fuel injection[ie]

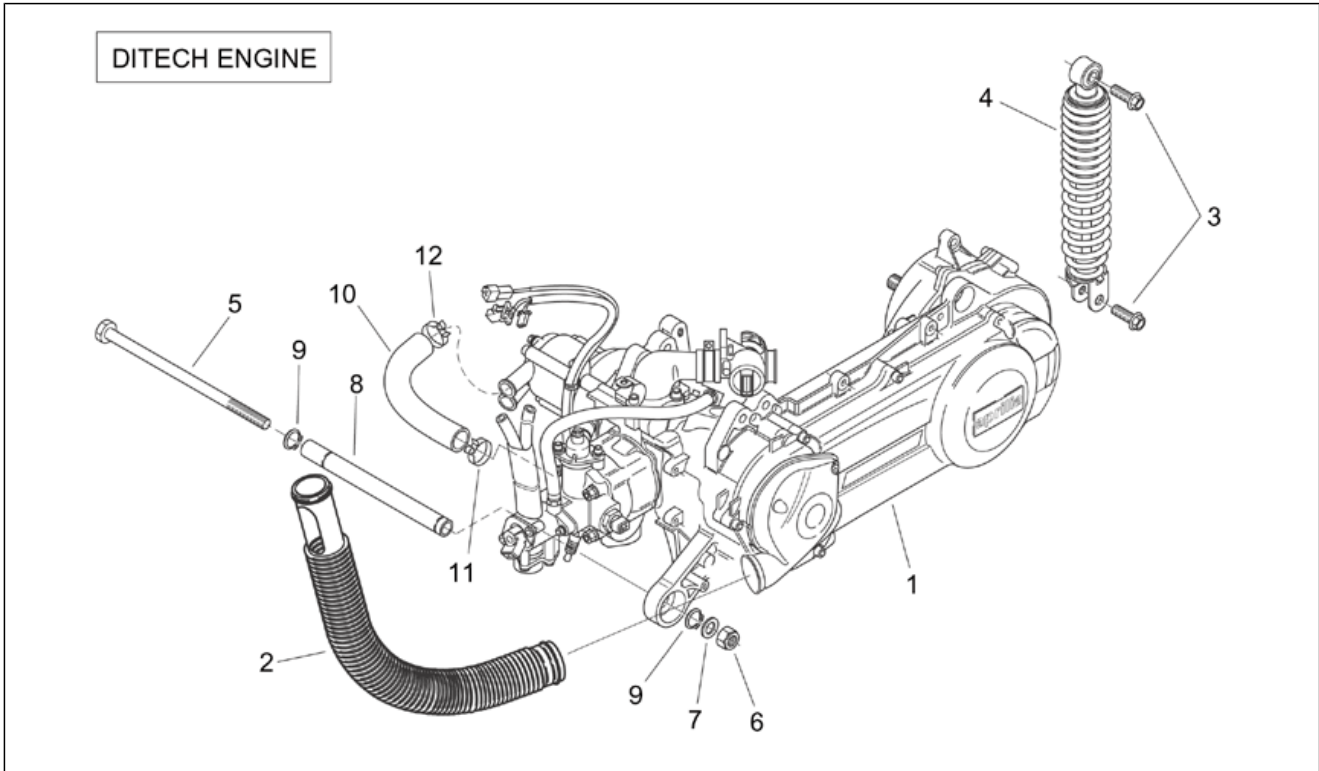


<b>Group</b>	ENGINE
<b>Code</b>	29.24
<b>Description</b>	Engine (Ditech)
<b>Service</b>	1



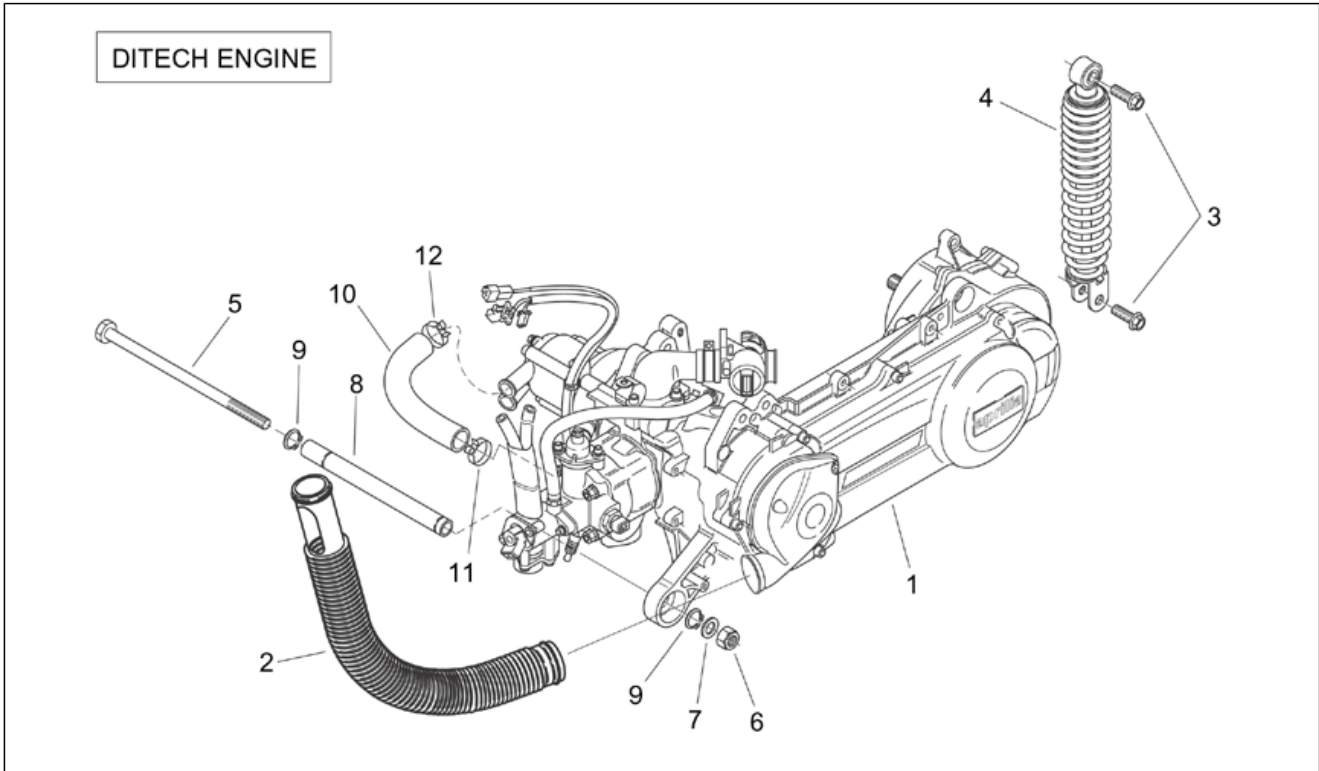
Pos.	Code	Description	Qty	Variants
1	AP8222775	Engine e.i.	1	<b>Year:</b> 2002[2] <b>Country:</b> Austria[A], Australia[AA], Australia[AUS], Belgium[B], Switzerland[CH], Germany[D], Denmark[DK], Spain[E], A, B, CH, D, DK, E, F, I, NL, P, UK[EU], France[F], Italy[I], Japan[J], Japan[JJ], Holland[NL], Portugal[P], Great Britain[UK] <b>Technical Specifications:</b> Full Power Version[fp], "DITECH" engine with direct fuel injection[ie]
1	AP8222775	Engine e.i.	1	<b>Year:</b> 2000[Y] <b>Technical Specifications:</b> Full Power Version[fp], "DITECH" engine with direct fuel injection[ie]
1	AP8222777	Engine e.i.	1	<b>Year:</b> 2001[1] <b>Country:</b> Belgium[B], Germany[D], Denmark[DK], A, B, CH, D, DK, E, F, I, NL, P, UK[EU], Holland[NL] <b>Technical Specifications:</b> Version 25 Kw[25k], "DITECH" engine with direct fuel injection[ie]
1	AP8222777	Engine e.i.	1	<b>Year:</b> 2000[Y] <b>Technical Specifications:</b> Version 25 Kw[25k], "DITECH" engine with direct fuel injection[ie]
1	AP8222777	Engine e.i.	1	<b>Year:</b> 2002[2] <b>Country:</b> Belgium[B], Germany[D], Denmark[DK], A, B, CH, D, DK, E, F, I, NL, P, UK[EU], Holland[NL] <b>Technical Specifications:</b> Version 25 Kw[25k], "DITECH" engine with direct fuel injection[ie]
1	AP8222778	Engine e.i.	1	<b>Year:</b> 2001[1] <b>Country:</b> United States of America[AM], United States of America[USA] <b>Technical Specifications:</b> "DITECH" engine with direct fuel injection[ie]
1	AP8222778	Engine e.i.	1	<b>Year:</b> 2003[3], 2004[4] <b>Country:</b> United States of America[AM], Canadian[CA], Canadian[CN], United States of America[USA] <b>Technical Specifications:</b> "DITECH" engine with direct fuel injection[ie]
1	AP8222778	Engine e.i.	1	<b>Year:</b> 2002[2]

<b>Group</b>	ENGINE
<b>Code</b>	29.24
<b>Description</b>	Engine (Ditech)
<b>Service</b>	1



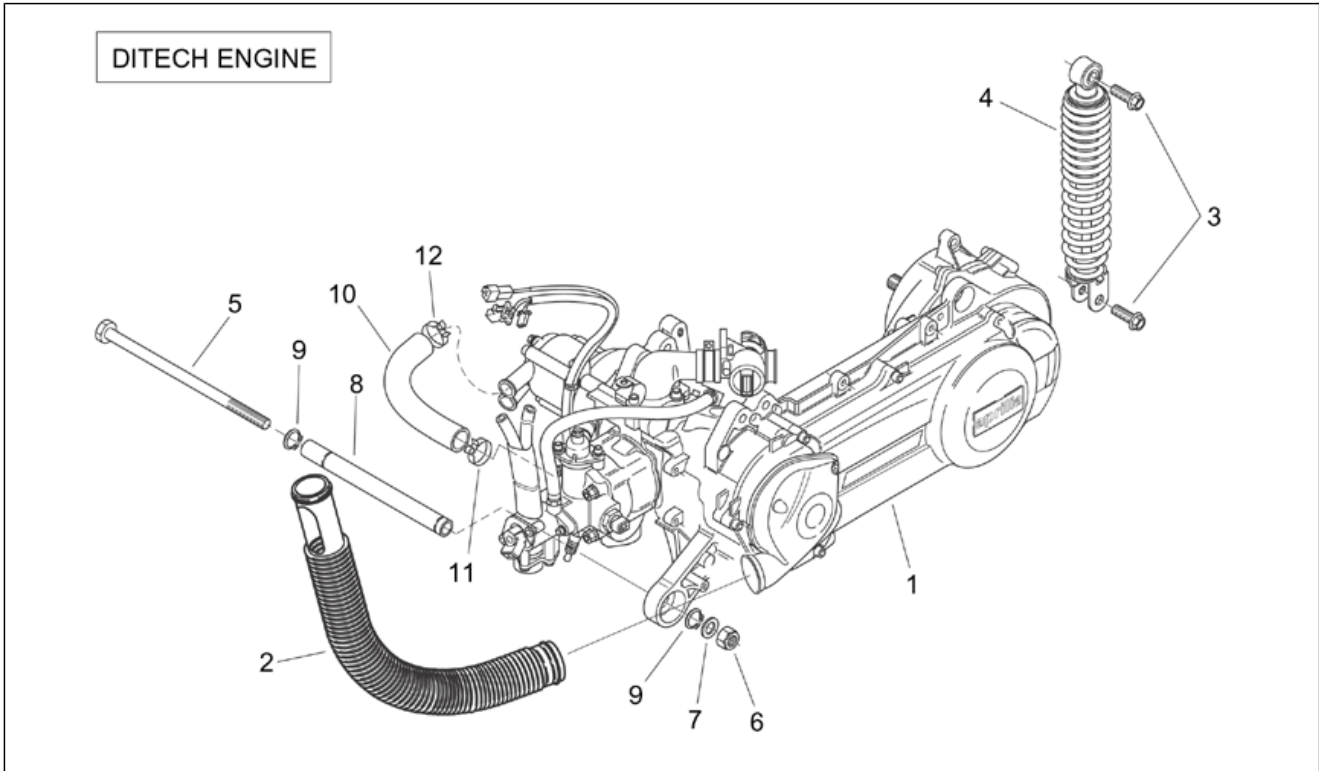
Pos.	Code	Description	Qty	Variants
				<b>Country:</b> United States of America[AM], United States of America[USA] <b>Technical Specifications:</b> "DITECH" engine with direct fuel injection[ie]
2	AP8220562	Variator air intake	1	<b>Technical Specifications:</b> "DITECH" engine with direct fuel injection[ie]
3	AP8152318	Screw w/ flange M10x35	2	<b>Technical Specifications:</b> "DITECH" engine with direct fuel injection[ie]
4	AP8203977	Shock absorber-yellow ring	1	<b>Year:</b> 2000[Y] <b>Technical Specifications:</b> "DITECH" engine with direct fuel injection[ie]
4	AP8203977	Shock absorber-yellow ring	1	<b>Year:</b> 2001[1], 2002[2] <b>Vehicle colour:</b> Diablo Black 2001-2002[bl.di], Aprilia Black "Racing" 2000-2001[bl/re], Electric Blue "Sport" 2000-2001[el.bl], Nik Grey "Racing" 2000-2001[gr/ye], Hot Red "Sport" 2000-2001[h.red], Haga 2002[haga], Lemon Yellow 2001[le.ye] <b>Country:</b> Austria[A], Australia[AA], Australia[AUS], Belgium[B], Switzerland[CH], Germany[D], Denmark[DK], Spain[E], A, B, CH, D, DK, E, F, I, NL, P, UK[EU], France[F], Italy[I], Japan[J], Japan[JJ], Holland[NL], Portugal[P], Great Britain[UK] <b>Technical Specifications:</b> "DITECH" engine with direct fuel injection[ie]
4	AP8223015	Shock absorber	1	<b>Year:</b> 2003[3], 2004[4] <b>Vehicle colour:</b> Limited blue "Racing" 2003[b.lim] <b>Country:</b> United States of America[AM], Canadian[CA], Canadian[CN], United States of America[USA] <b>Technical Specifications:</b> "DITECH" engine with direct fuel injection[ie]
4	AP8223015	Shock absorber	1	<b>Year:</b> 2001[1], 2002[2] <b>Vehicle colour:</b> Diablo Black 2001-2002[bl.di], Aprilia Black "Racing" 2000-2001[bl/re], Electric Blue "Sport" 2000-2001[el.bl], Nik Grey "Racing" 2000-2001[gr/ye], Hot Red "Sport" 2000-2001[h.red], Haga 2002[haga], Lemon Yellow 2001[le.ye]

<b>Group</b>	ENGINE
<b>Code</b>	29.24
<b>Description</b>	Engine (Ditech)
<b>Service</b>	1



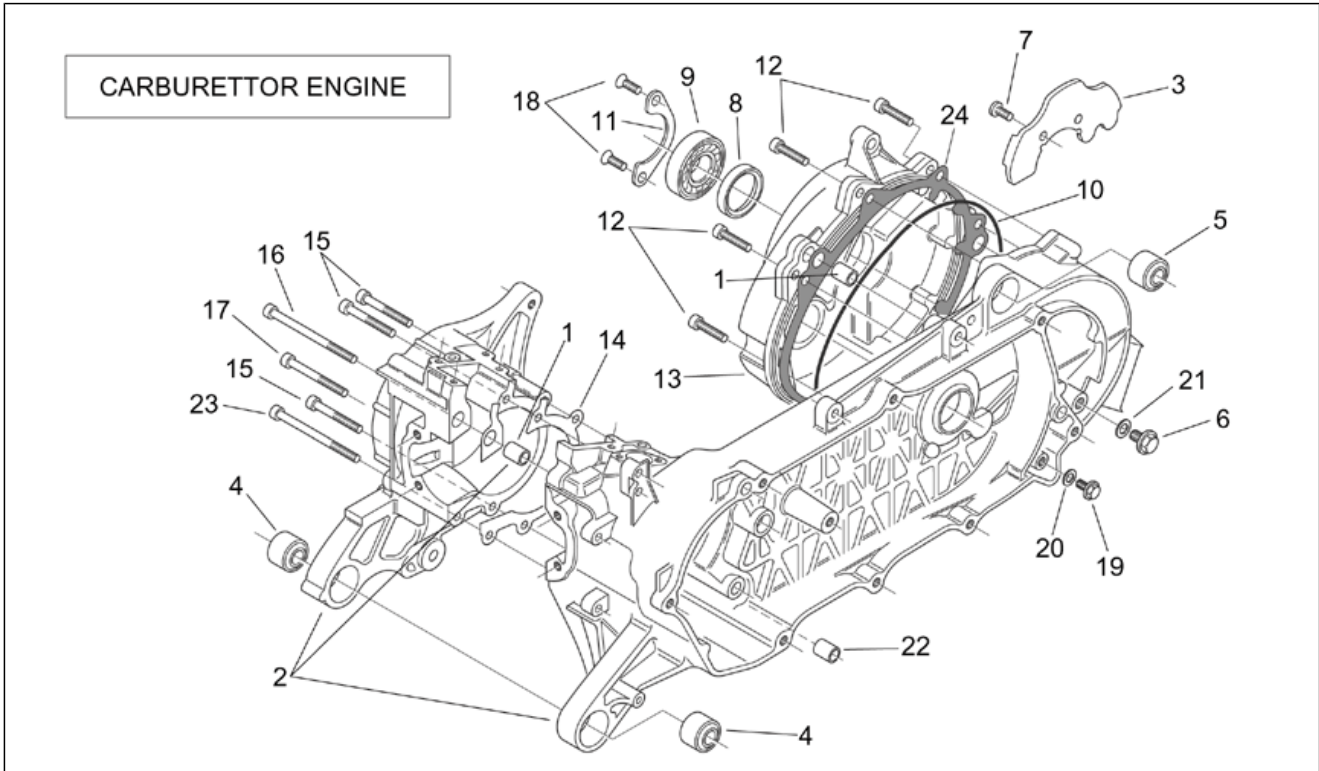
Pos.	Code	Description	Qty	Variants
				<b>Country:</b> United States of America[AM], United States of America[USA] <b>Technical Specifications:</b> "DITECH" engine with direct fuel injection[ie]
4	AP8223015	Shock absorber	1	<b>Year:</b> 2004[4] <b>Vehicle colour:</b> Fluo Red 2004[r.fluo], Poggiali White 2004[RP] <b>Country:</b> United States of America[AM], Canadian[CA], Canadian[CN], United States of America[USA] <b>Technical Specifications:</b> "DITECH" engine with direct fuel injection[ie]
4	AP8223015	Shock absorber	1	<b>Year:</b> 2003[3] <b>Vehicle colour:</b> Red Tulip 2003[t.red] <b>Country:</b> United States of America[AM], Canadian[CA], Canadian[CN], United States of America[USA] <b>Technical Specifications:</b> "DITECH" engine with direct fuel injection[ie]
4	AP8223015	Shock absorber	1	<b>Year:</b> 2003[3] <b>Vehicle colour:</b> GP1 2003[gp1] <b>Country:</b> United States of America[AM], Canadian[CA], Canadian[CN], United States of America[USA] <b>Technical Specifications:</b> "DITECH" engine with direct fuel injection[ie]
4	AP8223015	Shock absorber	1	<b>Year:</b> 2003[3] <b>Vehicle colour:</b> SBK "Racing" 2003[sbk] <b>Country:</b> United States of America[AM], Canadian[CA], Canadian[CN], United States of America[USA] <b>Technical Specifications:</b> "DITECH" engine with direct fuel injection[ie]
4	AP8223024	Shock absorber-grey ring	1	<b>Year:</b> 2002[2] <b>Vehicle colour:</b> Dust Grey 2002[du/gr] <b>Country:</b> Austria[A], Australia[AA], Australia[AUS], Belgium[B], Switzerland[CH], Germany[D], Denmark[DK], Spain[E], A, B, CH, D, DK, E, F, I, NL, P, UK[EU], France[F], Italy[I], Japan[J], Japan[JJ], Holland[NL], Portugal[P], Great Britain[UK]

<b>Group</b>	ENGINE
<b>Code</b>	29.24
<b>Description</b>	Engine (Ditech)
<b>Service</b>	1



Pos.	Code	Description	Qty	Variants
				<b>Technical Specifications:</b> "DITECH" engine with direct fuel injection[ie]
4	AP8223025	Shock absorber-grey ring	1	<b>Year:</b> 2002[2] <b>Vehicle colour:</b> Dust Grey 2002[du/gr] <b>Country:</b> United States of America[AM], United States of America[USA] <b>Technical Specifications:</b> "DITECH" engine with direct fuel injection[ie]
4	AP8223025	Shock absorber-grey ring	1	<b>Year:</b> 2003[3] <b>Vehicle colour:</b> Tuono 2003[tuono] <b>Country:</b> United States of America[AM], Canadian[CA], Canadian[CN], United States of America[USA] <b>Technical Specifications:</b> "DITECH" engine with direct fuel injection[ie]
5	AP8221307	Pin M12	1	<b>Technical Specifications:</b> "DITECH" engine with direct fuel injection[ie]
6	AP8150432	Low self-locking nut M12*	1	<b>Technical Specifications:</b> "DITECH" engine with direct fuel injection[ie]
7	AP8152018	Washer 12,2x22x2	1	<b>Technical Specifications:</b> "DITECH" engine with direct fuel injection[ie]
8	AP8221322	Engine pivot pin bush	1	<b>Technical Specifications:</b> "DITECH" engine with direct fuel injection[ie]
9	AP8206233	Outside circlip D17	2	<b>Technical Specifications:</b> "DITECH" engine with direct fuel injection[ie]
10	AP3LAA000010	Pump-cylinder hose	1	<b>Technical Specifications:</b> "DITECH" engine with direct fuel injection[ie]
11	AP2FDN000175	Hose clamp	1	<b>Technical Specifications:</b> "DITECH" engine with direct fuel injection[ie]
12	AP2FDN000176	Hose clamp	1	<b>Technical Specifications:</b> "DITECH" engine with direct fuel injection[ie]

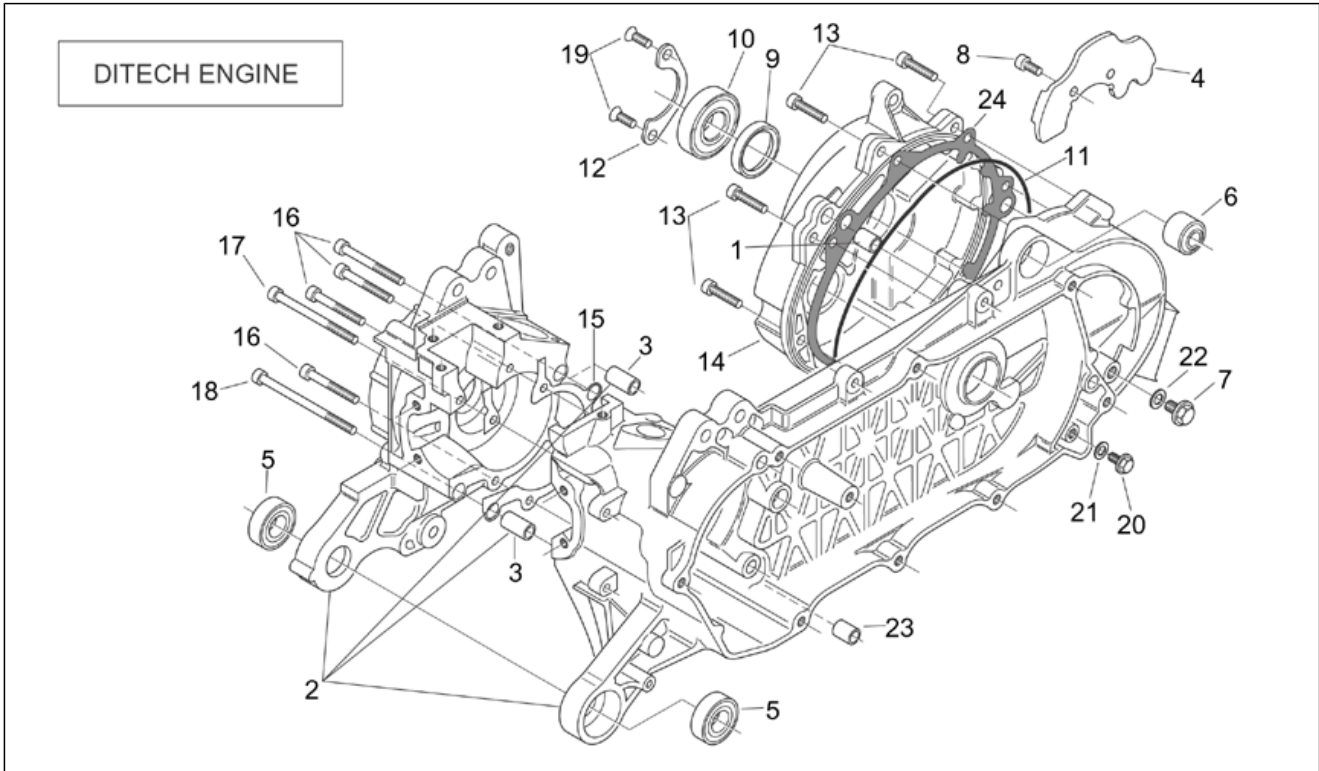
<b>Group</b>	ENGINE
<b>Code</b>	29.38
<b>Description</b>	Crank-case (Carburettor)
<b>Service</b>	1



Pos.	Code	Description	Qty	Variants
1	AP3FCN000269	Pin	4	<b>Technical Specifications:</b> Engine with carburettor[carb]
2	AP1BHA000151	Crankcase assy	1	<b>Technical Specifications:</b> Engine with carburettor[carb]
3	AP3HAA000044	Drive plate	1	<b>Technical Specifications:</b> Engine with carburettor[carb]
4	AP3HAN000171	Silent-block	2	<b>Technical Specifications:</b> Engine with carburettor[carb]
5	AP3HAN000056	Silent-block	1	<b>Technical Specifications:</b> Engine with carburettor[carb]
6	AP4AUN000011	Screw w/ flange	1	<b>Technical Specifications:</b> Engine with carburettor[carb]
7	AP4ADN000013	screw	2	<b>Technical Specifications:</b> Engine with carburettor[carb]
8	AP3EBN000047	Oil seal 29x42x6	1	<b>Technical Specifications:</b> Engine with carburettor[carb]
9	AP4GAN000026	Bearing d22x50x14	1	<b>Technical Specifications:</b> Engine with carburettor[carb]
10	AP3EAN000048	O-ring d2,4x161	1	<b>Technical Specifications:</b> Engine with carburettor[carb]
11	AP3HAA000068	Bearing fixing plate	1	<b>Technical Specifications:</b> Engine with carburettor[carb]
12	AP4ADN000016	Hex socket screw	8	<b>Technical Specifications:</b> Engine with carburettor[carb]
13	AP3HZA000152	Transmission cover	1	<b>Technical Specifications:</b> Engine with carburettor[carb], Rear disc brake[f.d.]
13	AP5RHR000229	Transmission cover	1	<b>Technical Specifications:</b> Engine with carburettor[carb], Rear drum brake[f.t.]
14	AP3HVA000021	Gasket	1	<b>Technical Specifications:</b> Engine with carburettor[carb]
15	AP4ADN000008	Hex socket screw	3	<b>Technical Specifications:</b> Engine with carburettor[carb]
16	AP4ADN000009	Hex socket screw	1	<b>Technical Specifications:</b> Engine with carburettor[carb]
17	AP4ADN000007	Hex socket screw	1	<b>Technical Specifications:</b> Engine with carburettor[carb]
18	AP4AHN000067	screw	2	<b>Technical Specifications:</b> Engine with carburettor[carb]
19	AP3AUN000062	Screw w/ flange	1	<b>Technical Specifications:</b> Engine with carburettor[carb]
20	AP4EEN000063	Aluminium washer	1	<b>Technical Specifications:</b> Engine with carburettor[carb]
21	AP4EEN000037	Aluminium washer	1	<b>Technical Specifications:</b> Engine with carburettor[carb]
22	AP3QAA000039	Bush	1	<b>Technical Specifications:</b> Engine with carburettor[carb]
23	AP4ADN000006	Hex socket screw	1	<b>Technical Specifications:</b> Engine with carburettor[carb]
24	AP3NVA000627	Paper gasket	1	<b>Technical Specifications:</b> Engine with carburettor[carb]

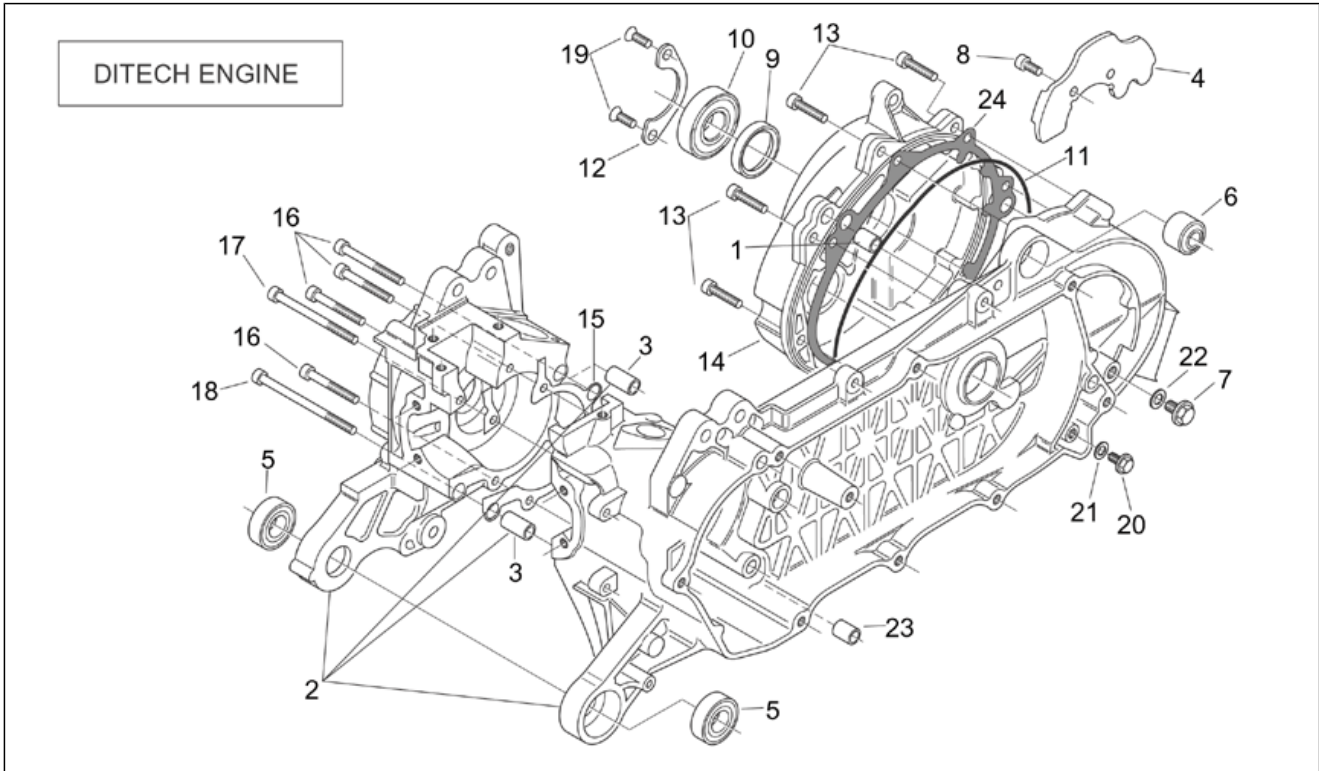


<b>Group</b>	ENGINE
<b>Code</b>	29.39
<b>Description</b>	Crank-case (Ditech)
<b>Service</b>	1



Pos.	Code	Description	Qty	Variants
1	AP3FCN000269	Pin	2	<b>Technical Specifications:</b> "DITECH" engine with direct fuel injection[ie]
2	AP1BHA000159	Crankcase assy	1	<b>Year:</b> 2001[1] <b>Country:</b> Austria[A], Australia[AA], Australia[AUS], Belgium[B], Switzerland[CH], Germany[D], Denmark[DK], Spain[E], A, B, CH, D, DK, E, F, I, NL, P, UK[EU], France[F], Italy[I], Japan[J], Japan[JJ], Holland[NL], Portugal[P], Great Britain[UK] <b>Technical Specifications:</b> Full Power Version[fp], "DITECH" engine with direct fuel injection[ie]
2	AP1BHA000159	Crankcase assy	1	<b>Year:</b> 2000[Y] <b>Technical Specifications:</b> Full Power Version[fp], "DITECH" engine with direct fuel injection[ie]
2	AP1BHA000159	Crankcase assy	1	<b>Year:</b> 2002[2] <b>Country:</b> Belgium[B], Germany[D], Denmark[DK], A, B, CH, D, DK, E, F, I, NL, P, UK[EU], Holland[NL] <b>Technical Specifications:</b> Version 25 Kw[25k], "DITECH" engine with direct fuel injection[ie]
2	AP1BHA000159	Crankcase assy	1	<b>Year:</b> 2001[1] <b>Country:</b> Belgium[B], Germany[D], Denmark[DK], A, B, CH, D, DK, E, F, I, NL, P, UK[EU], Holland[NL] <b>Technical Specifications:</b> Version 25 Kw[25k], "DITECH" engine with direct fuel injection[ie]
2	AP1BHA000624	Crankcase assy	1	<b>Year:</b> 2000[Y] <b>Technical Specifications:</b> Version 25 Kw[25k], "DITECH" engine with direct fuel injection[ie]
2	AP1BHA000624	Crankcase assy	1	<b>Year:</b> 2002[2] <b>Country:</b> Belgium[B], Germany[D], Denmark[DK], A, B, CH, D, DK, E, F, I, NL, P, UK[EU], Holland[NL] <b>Technical Specifications:</b> Version 25 Kw[25k], "DITECH" engine with direct fuel injection[ie]
2	AP1BHA000624	Crankcase assy	1	<b>Year:</b> 2001[1] <b>Country:</b> Belgium[B], Germany[D], Denmark[DK], A, B, CH, D, DK, E, F, I, NL, P, UK[EU], Holland[NL]

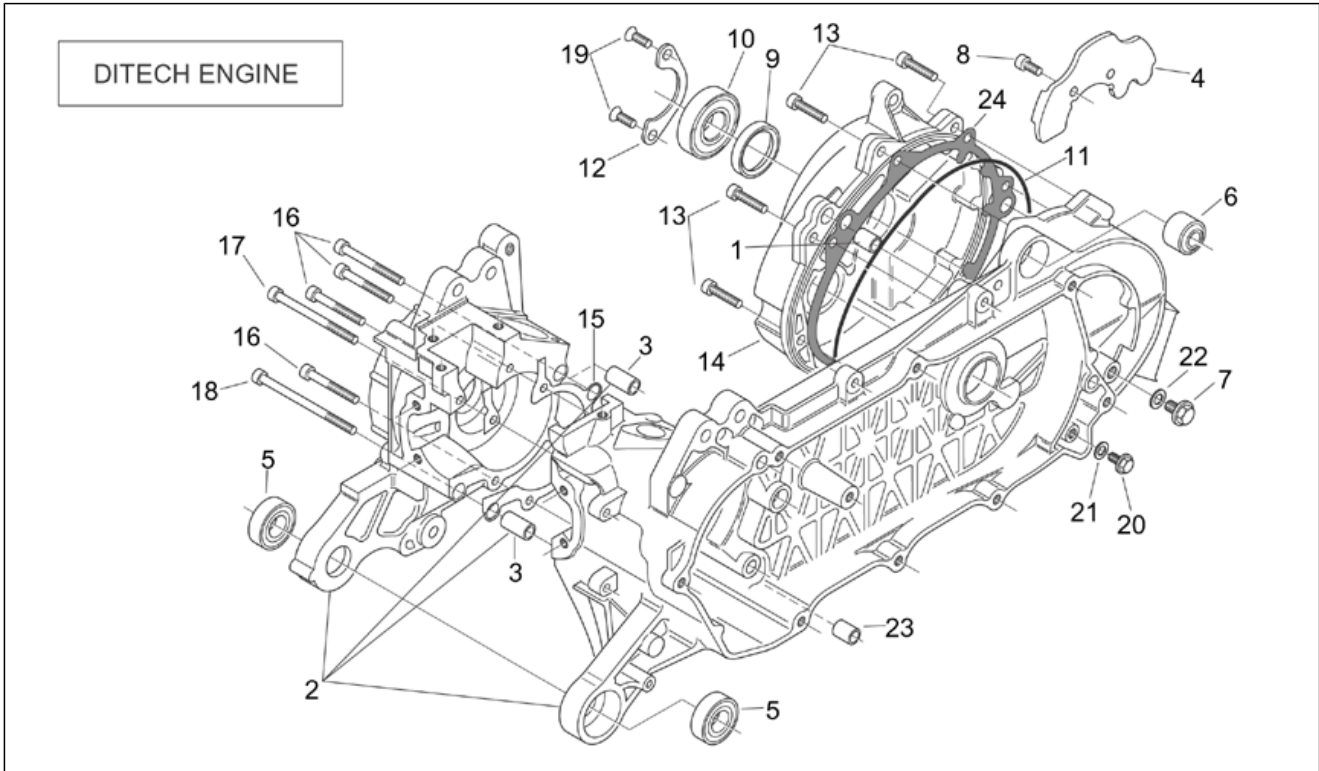
<b>Group</b>	ENGINE
<b>Code</b>	29.39
<b>Description</b>	Crank-case (Ditech)
<b>Service</b>	1



Pos.	Code	Description	Qty	Variants
				<b>Technical Specifications:</b> Version 25 Kw[25k], "DITECH" engine with direct fuel injection[ie]
2	AP1BHA000624	Crankcase assy	1	<b>Year:</b> 2001[1] <b>Country:</b> United States of America[AM], United States of America[USA] <b>Technical Specifications:</b> "DITECH" engine with direct fuel injection[ie]
2	AP1BHA000624	Crankcase assy	1	<b>Year:</b> 2002[2] <b>Country:</b> United States of America[AM], United States of America[USA] <b>Technical Specifications:</b> "DITECH" engine with direct fuel injection[ie]
2	AP1BHA000624	Crankcase assy	1	<b>Year:</b> 2000[Y] <b>Technical Specifications:</b> Full Power Version[fp], "DITECH" engine with direct fuel injection[ie]
2	AP1BHA000624	Crankcase assy	1	<b>Year:</b> 2002[2] <b>Country:</b> Austria[A], Australia[AA], Australia[AUS], Belgium[B], Switzerland[CH], Germany[D], Denmark[DK], Spain[E], A, B, CH, D, DK, E, F, I, NL, P, UK[EU], France[F], Italy[I], Japan[J], Japan[JJ], Holland[NL], Portugal[P], Great Britain[UK] <b>Technical Specifications:</b> Full Power Version[fp], "DITECH" engine with direct fuel injection[ie]
2	AP1BHA000624	Crankcase assy	1	<b>Year:</b> 2001[1] <b>Country:</b> Austria[A], Australia[AA], Australia[AUS], Belgium[B], Switzerland[CH], Germany[D], Denmark[DK], Spain[E], A, B, CH, D, DK, E, F, I, NL, P, UK[EU], France[F], Italy[I], Japan[J], Japan[JJ], Holland[NL], Portugal[P], Great Britain[UK] <b>Technical Specifications:</b> Full Power Version[fp], "DITECH" engine with direct fuel injection[ie]
2	AP1BHA000706	Crankcase assy	1	<b>Year:</b> 2000[Y] <b>Technical Specifications:</b> Full Power Version[fp], "DITECH" engine with direct fuel injection[ie]
2	AP1BHA000706	Crankcase assy	1	<b>Year:</b> 2001[1]

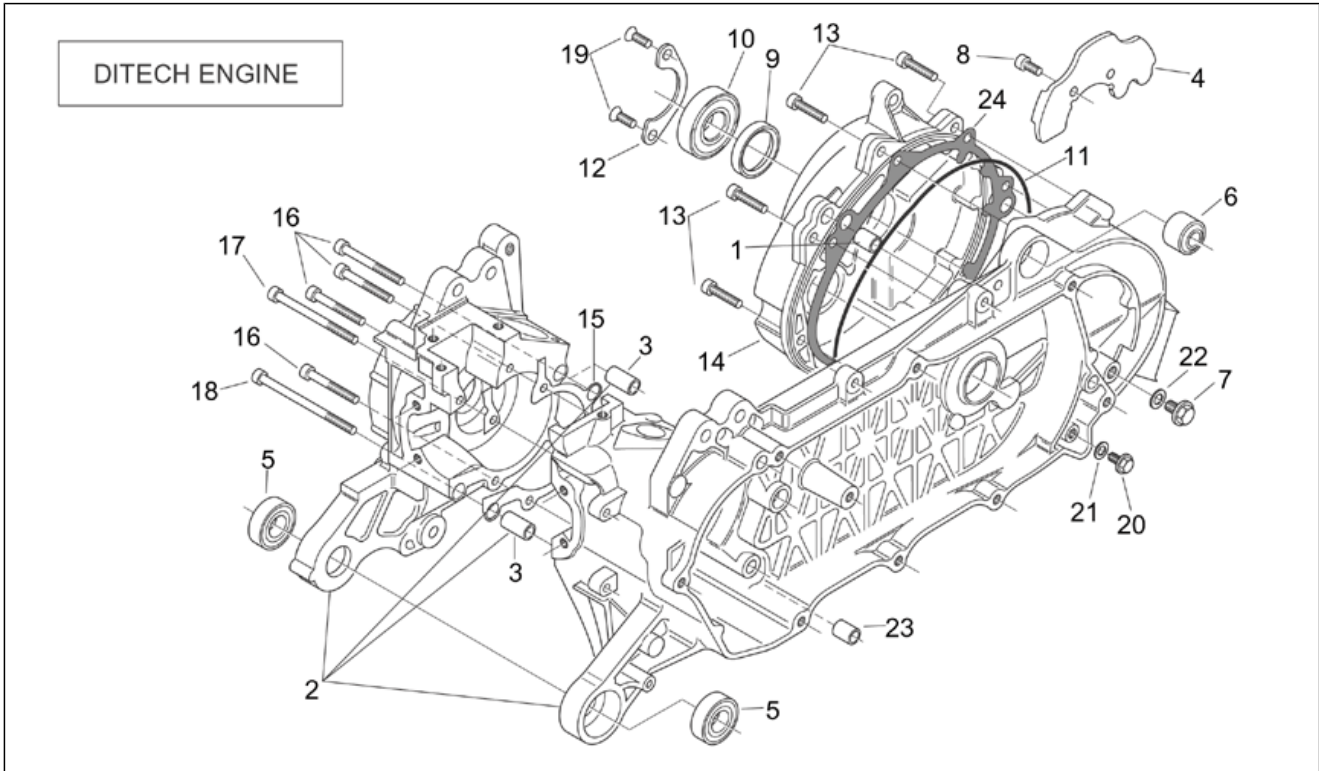


<b>Group</b>	ENGINE
<b>Code</b>	29.39
<b>Description</b>	Crank-case (Ditech)
<b>Service</b>	1



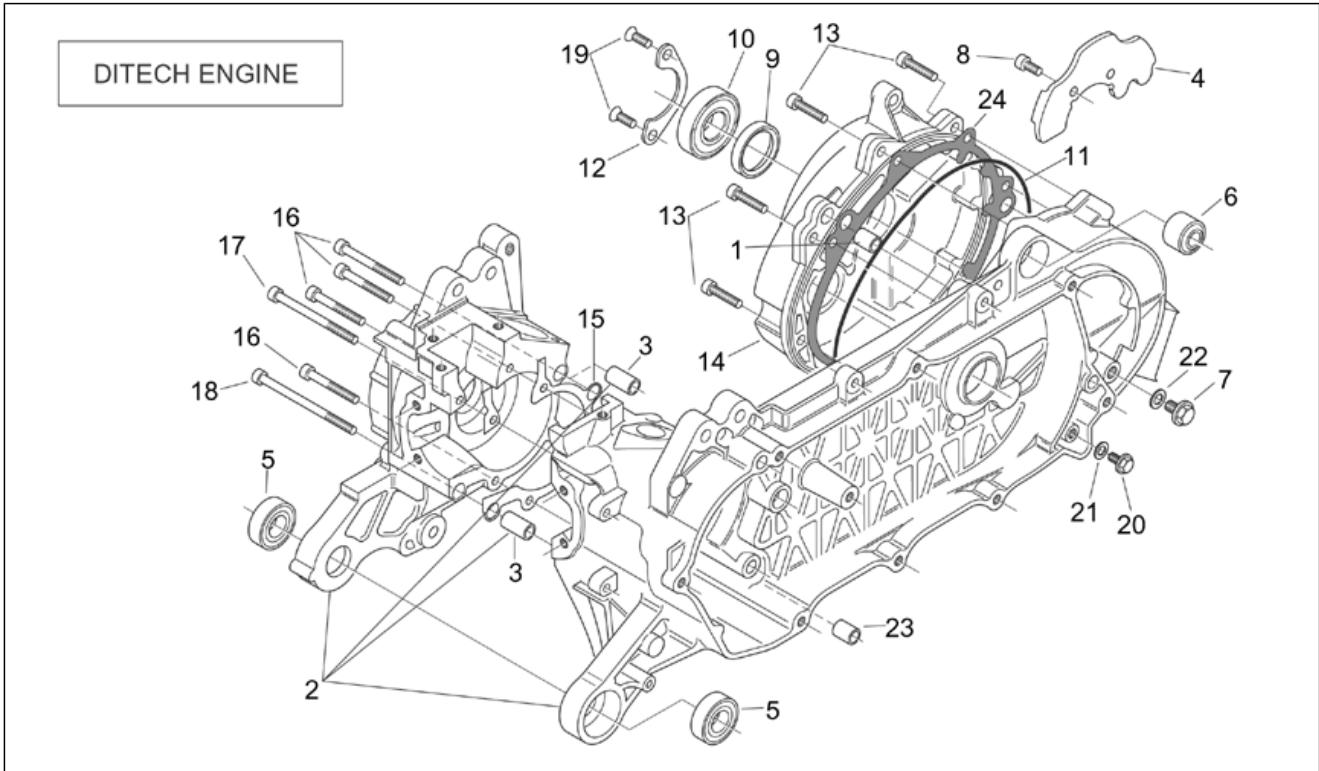
Pos.	Code	Description	Qty	Variants
				<b>Country:</b> Austria[A], Australia[AA], Australia[AUS], Belgium[B], Switzerland[CH], Germany[D], Denmark[DK], Spain[E], A, B, CH, D, DK, E, F, I, NL, P, UK[EU], France[F], Italy[I], Japan[J], Japan[JJ], Holland[NL], Portugal[P], Great Britain[UK] <b>Technical Specifications:</b> Full Power Version[fp], "DITECH" engine with direct fuel injection[ie]
2	AP1BHA000706	Crankcase assy	1	<b>Year:</b> 2002[2] <b>Country:</b> Austria[A], Australia[AA], Australia[AUS], Belgium[B], Switzerland[CH], Germany[D], Denmark[DK], Spain[E], A, B, CH, D, DK, E, F, I, NL, P, UK[EU], France[F], Italy[I], Japan[J], Japan[JJ], Holland[NL], Portugal[P], Great Britain[UK] <b>Technical Specifications:</b> Full Power Version[fp], "DITECH" engine with direct fuel injection[ie]
2	AP1BHA000706	Crankcase assy	1	<b>Year:</b> 2002[2] <b>Country:</b> Belgium[B], Germany[D], Denmark[DK], A, B, CH, D, DK, E, F, I, NL, P, UK[EU], Holland[NL] <b>Technical Specifications:</b> Version 25 Kw[25k], "DITECH" engine with direct fuel injection[ie]
2	AP1BHA000706	Crankcase assy	1	<b>Year:</b> 2001[1] <b>Country:</b> Belgium[B], Germany[D], Denmark[DK], A, B, CH, D, DK, E, F, I, NL, P, UK[EU], Holland[NL] <b>Technical Specifications:</b> Version 25 Kw[25k], "DITECH" engine with direct fuel injection[ie]
2	AP1BHA000706	Crankcase assy	1	<b>Year:</b> 2002[2] <b>Country:</b> United States of America[AM], United States of America[USA] <b>Technical Specifications:</b> "DITECH" engine with direct fuel injection[ie]
2	AP1BHA000706	Crankcase assy	1	<b>Year:</b> 2000[Y] <b>Technical Specifications:</b> Version 25 Kw[25k], "DITECH" engine with direct fuel injection[ie]
2	AP1BHA000706	Crankcase assy	1	<b>Year:</b> 2001[1] <b>Country:</b> United States of America[AM], United States of America[USA]

<b>Group</b>	ENGINE
<b>Code</b>	29.39
<b>Description</b>	Crank-case (Ditech)
<b>Service</b>	1



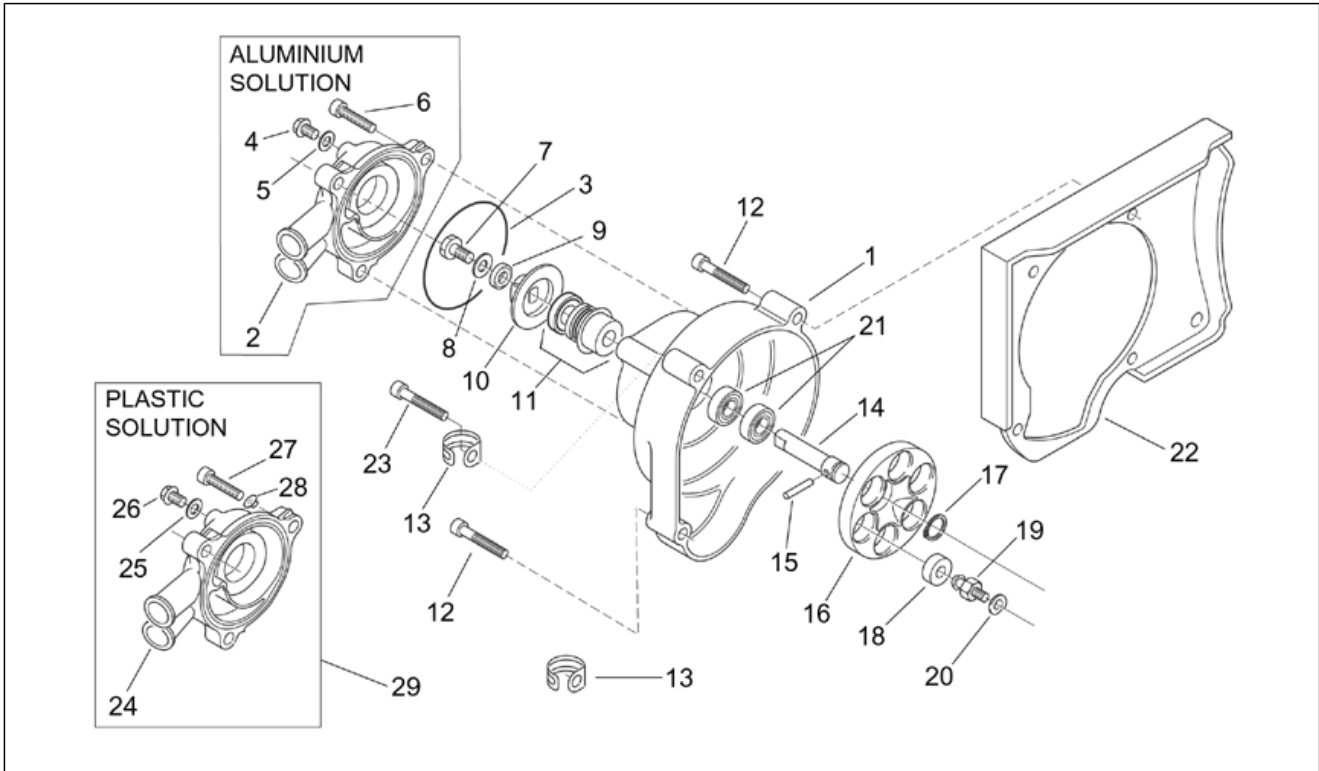
Pos.	Code	Description	Qty	Variants
				<b>Technical Specifications:</b> "DITECH" engine with direct fuel injection[ie]
2	AP1BHA000706	Crankcase assy	1	<b>Year:</b> 2003[3], 2004[4] <b>Country:</b> United States of America[AM], Canadian[CA], Canadian[CN], United States of America[USA] <b>Technical Specifications:</b> "DITECH" engine with direct fuel injection[ie]
3	AP3FCN000268	Pin	2	<b>Technical Specifications:</b> "DITECH" engine with direct fuel injection[ie]
4	AP3HAA000044	Drive plate	1	<b>Technical Specifications:</b> "DITECH" engine with direct fuel injection[ie]
5	AP4GAN000083	Bearing d17x35x10	1	<b>Technical Specifications:</b> "DITECH" engine with direct fuel injection[ie]
6	AP3HAN000056	Silent-block	1	<b>Technical Specifications:</b> "DITECH" engine with direct fuel injection[ie]
7	AP4AUN000011	Screw w/ flange	1	<b>Technical Specifications:</b> "DITECH" engine with direct fuel injection[ie]
8	AP4ADN000013	screw	2	<b>Technical Specifications:</b> "DITECH" engine with direct fuel injection[ie]
9	AP3EBN000047	Oil seal 29x42x6	1	<b>Technical Specifications:</b> "DITECH" engine with direct fuel injection[ie]
10	AP4GAN000026	Bearing d22x50x14	1	<b>Technical Specifications:</b> "DITECH" engine with direct fuel injection[ie]
11	AP3EAN000048	O-ring d2,4x161	1	<b>Technical Specifications:</b> "DITECH" engine with direct fuel injection[ie]
12	AP3HAA000068	Bearing fixing plate	1	<b>Technical Specifications:</b> "DITECH" engine with direct fuel injection[ie]
13	AP4ADN000016	Hex socket screw	8	<b>Technical Specifications:</b> "DITECH" engine with direct fuel injection[ie]
14	AP3HZA000152	Transmission cover	1	<b>Technical Specifications:</b> "DITECH" engine with direct fuel injection[ie]
15	AP3HVA000160	Gasket	1	<b>Technical Specifications:</b> "DITECH" engine with direct fuel injection[ie]

<b>Group</b>	ENGINE
<b>Code</b>	29.39
<b>Description</b>	Crank-case (Ditech)
<b>Service</b>	1



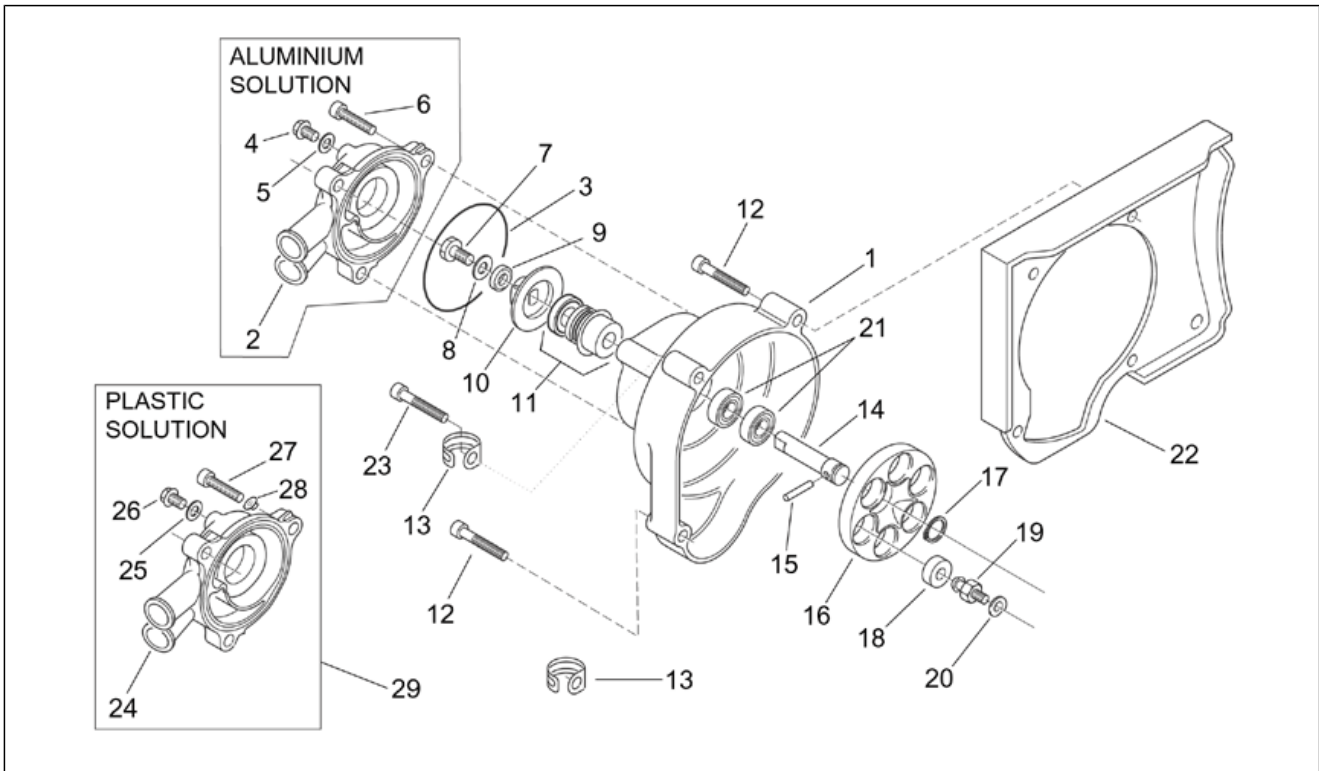
Pos.	Code	Description	Qty	Variants
16	AP4ADN000007	Hex socket screw	4	<b>Technical Specifications:</b> "DITECH" engine with direct fuel injection[ie]
17	AP4ADN000178	Hex socket screw	1	<b>Technical Specifications:</b> "DITECH" engine with direct fuel injection[ie]
18	AP4ADN000179	Hex socket screw	1	<b>Technical Specifications:</b> "DITECH" engine with direct fuel injection[ie]
19	AP4AHN000067	screw	2	<b>Technical Specifications:</b> "DITECH" engine with direct fuel injection[ie]
20	AP3AUN000062	Screw w/ flange	1	<b>Technical Specifications:</b> "DITECH" engine with direct fuel injection[ie]
21	AP4EEN000063	Aluminium washer	1	<b>Technical Specifications:</b> "DITECH" engine with direct fuel injection[ie]
22	AP4EEN000037	Aluminium washer	1	<b>Technical Specifications:</b> "DITECH" engine with direct fuel injection[ie]
23	AP3QAA000039	Bush	1	<b>Technical Specifications:</b> "DITECH" engine with direct fuel injection[ie]
24	AP3NVA000627	Paper gasket	1	<b>Technical Specifications:</b> "DITECH" engine with direct fuel injection[ie]

<b>Group</b>	ENGINE
<b>Code</b>	29.40
<b>Description</b>	Water pump
<b>Service</b>	1



Pos.	Code	Description	Qty	Variants
1	AP3LZA000023	Flywheel cover, black	1	<b>Technical Specifications:</b> Engine with carburettor[carb]
1	AP3LZA000108	Flywheel cover, black	1	<b>Technical Specifications:</b> "DITECH" engine with direct fuel injection[ie]
2	AP3LBA000130	Alum.water pump casing, black	1	
3	AP3EAN000082	O-ring 65x2,1	1	
4	AP3AUN000124	Screw w/ flange	1	
5	AP4EEN000063	Aluminium washer	1	
6	AP4ADN000016	Hex socket screw	3	
7	AP3ABN000092	Impeller fixing screw	1	
8	AP2DHN000202	Elastic plate	1	<b>Technical Specifications:</b> "DITECH" engine with direct fuel injection[ie]
9	AP3ECN000080	Seal washer	1	
10	AP3LDA000109	Impeller	1	
11	AP3LAA000173	Pump mechanical seal	1	
12	AP4ADN000016	Hex socket screw	4	<b>Technical Specifications:</b> "DITECH" engine with direct fuel injection[ie]
12	AP4ADN000017	screw	4	<b>Technical Specifications:</b> Engine with carburettor[carb]
13	AP3AAN000054	Hose clamp	2	
14	AP3LCA000101	Impeller shaft	1	
15	AP4FCN000095	Roller d2,5x19,8	1	
16	AP3LCA000166	Pump impeller drive key	1	
17	AP4DAN000125	Circlip d12	1	
18	AP3LAA000100	Pump drive pin grommet	3	
19	AP3LAA000102	Pump impeller pin	3	<b>Technical Specifications:</b> Up to engine number ABL021010175[T1]
19	AP3LAA000625	Pump impeller pin	3	<b>Technical Specifications:</b> Engine with carburettor[carb], From engine number ABL021010176[F1]
20	AP4DFN000033	Washer	3	
21	AP4GAN000103	Ball bearing 6900	2	

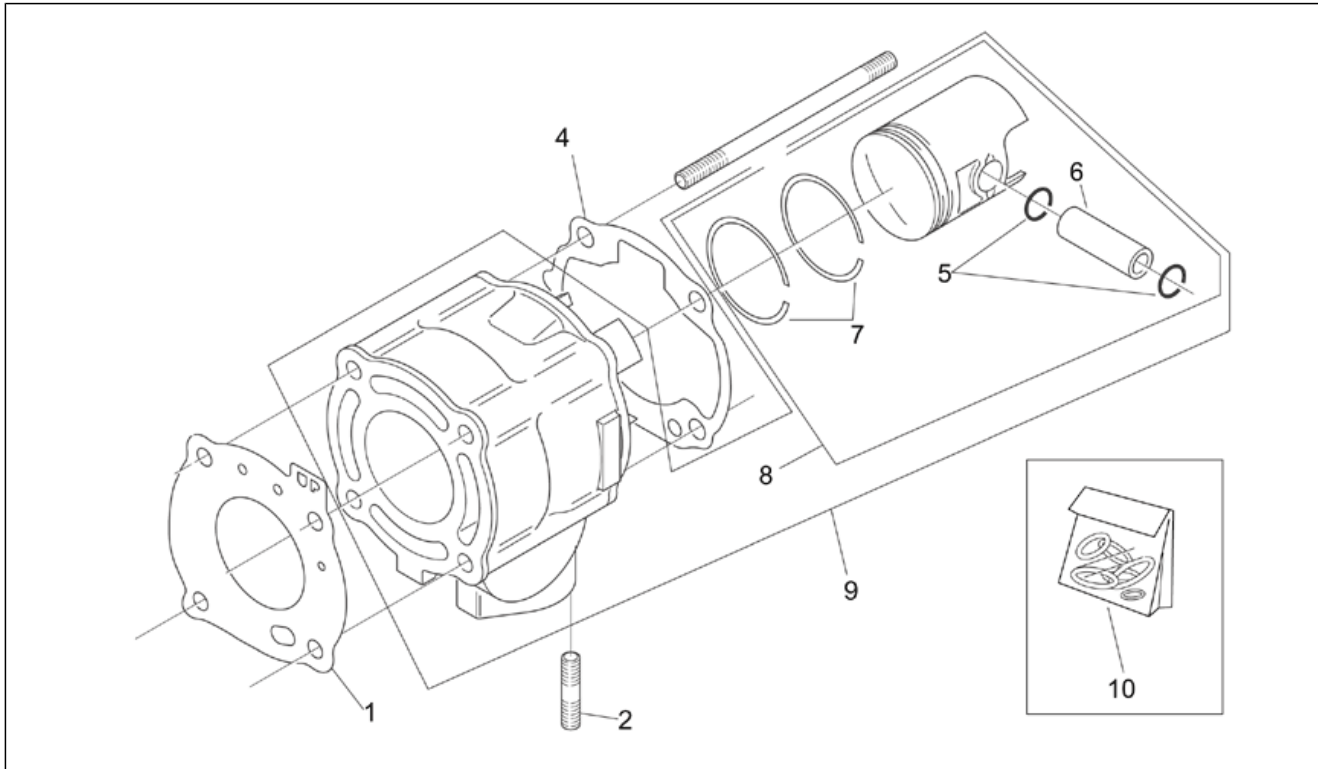
<b>Group</b>	ENGINE
<b>Code</b>	29.40
<b>Description</b>	Water pump
<b>Service</b>	1



Pos.	Code	Description	Qty	Variants
22	AP3HAA000632	plate	1	<b>Technical Specifications:</b> Engine with carburettor[carb], From engine number ABL021010176[F1]
23	AP8152003	Hex socket screw M6x40	2	<b>Technical Specifications:</b> Engine with carburettor[carb]
24	AP3LBA000587	Plastic water pump casing	1	
25	AP3EDN000281	Paper gasket	1	
26	AP4APN000267	Self-tap screw 5,5x13	1	
27	AP4ADN000014	screw	3	
28	AP3UAN000300	T bush	3	

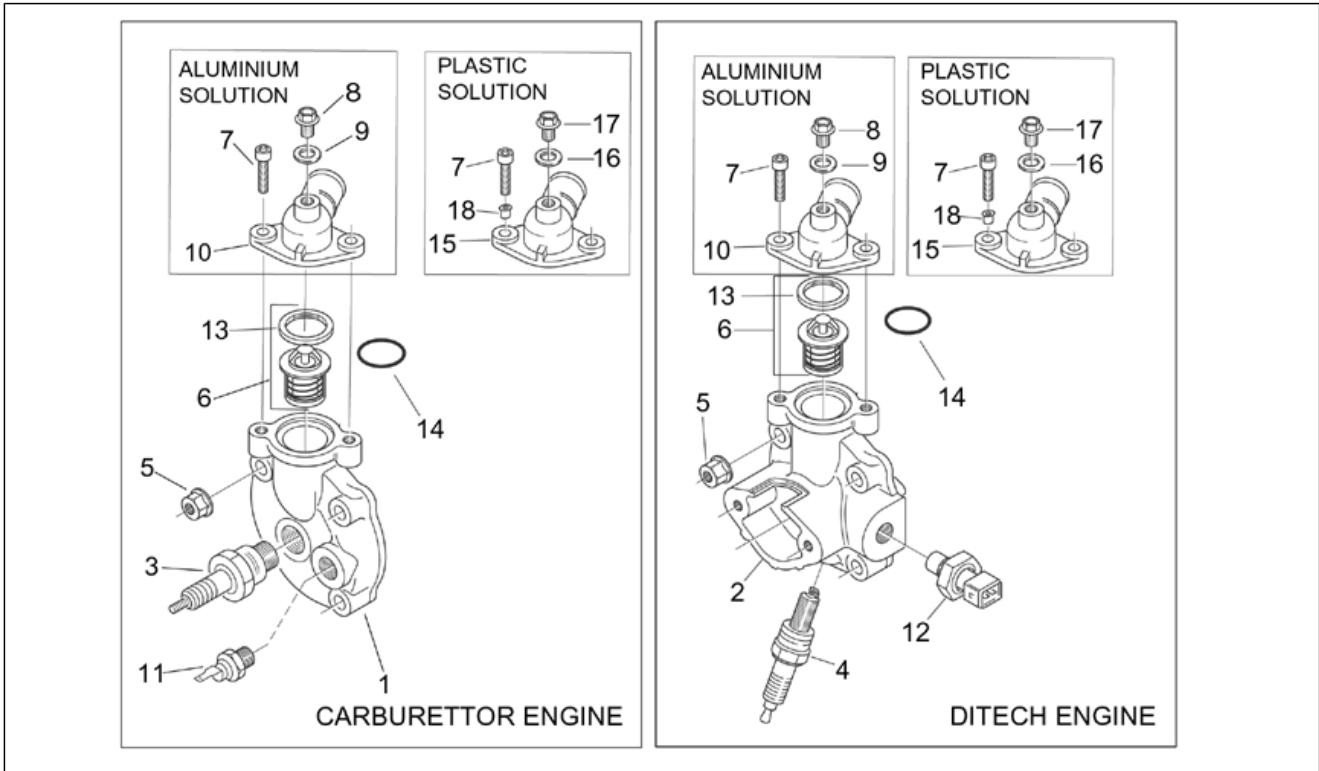


<b>Group</b>	ENGINE
<b>Code</b>	29.41
<b>Description</b>	Cylinder with piston
<b>Service</b>	1



Pos.	Code	Description	Qty	Variants
1	AP2BVA000040	Cylinder head gasket	1	
2	AP4BAN000002	Stud bolt	1	
3	AP4BAN000076	Stud bolt	4	
4	AP3EVA000433	Cylinder base gasket	1	
5	AP3EAN000096	Stop ring	2	
6	AP3EDA000143	Piston pin	1	
7	AP5RER000074	Piston ring set d41	1	
7	AP5RER000077	Piston ring set d41,5	1	
7	AP5RER000081	Piston ring set d42	1	
8	AP5RER000073	Piston assy d41	1	<b>Technical Specifications:</b> Engine with carburettor[carb]
8	AP5RER000075	Piston assy d41,5	1	<b>Technical Specifications:</b> Engine with carburettor[carb]
8	AP5RER000079	Piston assy d42	1	<b>Technical Specifications:</b> Engine with carburettor[carb]
8	AP5RER000084	Piston assy d41	1	<b>Technical Specifications:</b> "DITECH" engine with direct fuel injection[ie]
8	AP5RER000085	Piston assy d41,5	1	<b>Technical Specifications:</b> "DITECH" engine with direct fuel injection[ie]
8	AP5RER000087	Piston assy d42	1	<b>Technical Specifications:</b> "DITECH" engine with direct fuel injection[ie]
9	AP5RER000072	Cylinder with piston	1	<b>Technical Specifications:</b> Engine with carburettor[carb]
9	AP5RER000089	Cylinder with piston	1	<b>Technical Specifications:</b> "DITECH" engine with direct fuel injection[ie]
10	AP5RZR000096	Gasket set	1	<b>Technical Specifications:</b> Engine with carburettor[carb]
10	AP5RZR000098	Gasket set	1	<b>Technical Specifications:</b> "DITECH" engine with direct fuel injection[ie]

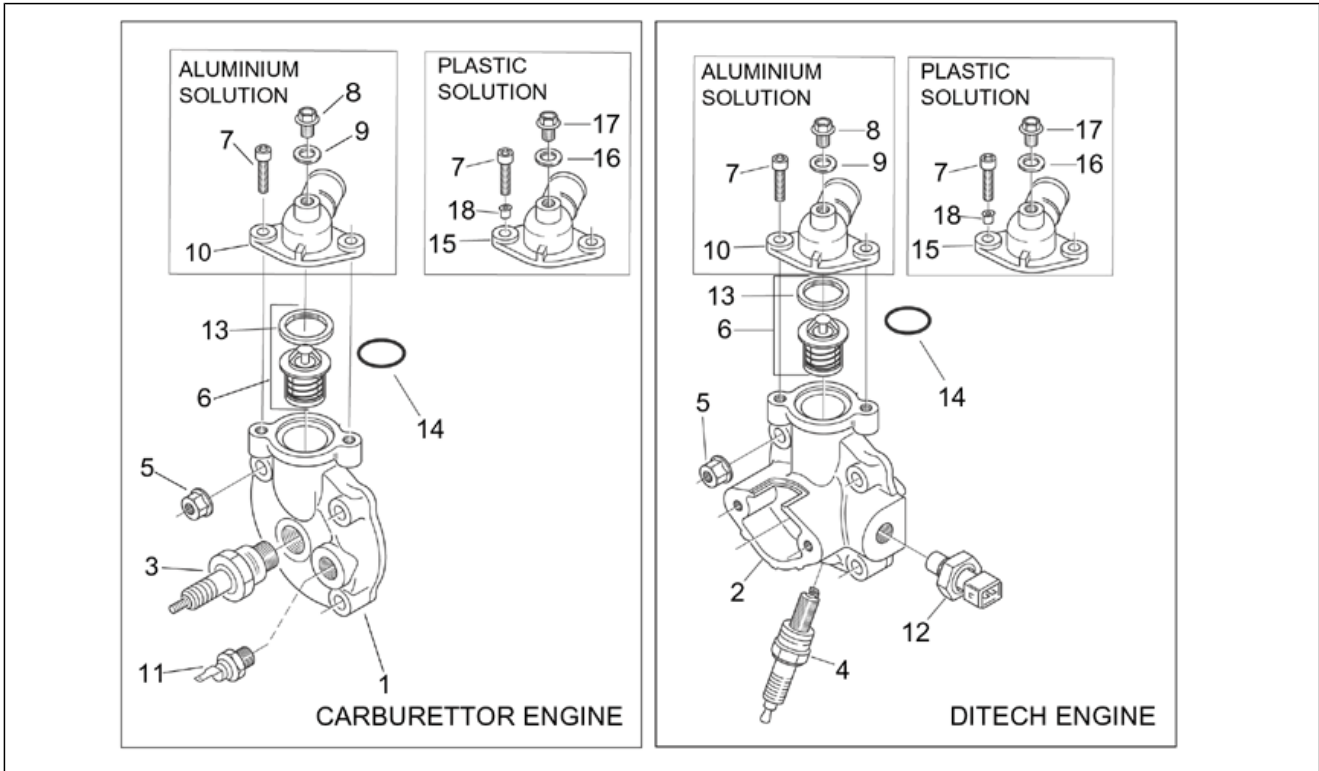
<b>Group</b>	ENGINE
<b>Code</b>	29.42
<b>Description</b>	Cylinder head
<b>Service</b>	1



Pos.	Code	Description	Qty	Variants
1	AP3BBA000174	Cylinder head	1	<b>Technical Specifications:</b> Engine with carburettor[carb]
2	AP3BBA000171	Cylinder head	1	<b>Year:</b> 2000[Y] <b>Technical Specifications:</b> Full Power Version[fp], "DITECH" engine with direct fuel injection[ie]
2	AP3BBA000171	Cylinder head	1	<b>Year:</b> 2001[1] <b>Country:</b> Austria[A], Australia[AA], Australia[AUS], Belgium[B], Switzerland[CH], Germany[D], Denmark[DK], Spain[E], A, B, CH, D, DK, E, F, I, NL, P, UK[EU], France[F], Italy[I], Japan[J], Japan[JJ], Holland[NL], Portugal[P], Great Britain[UK] <b>Technical Specifications:</b> Full Power Version[fp], "DITECH" engine with direct fuel injection[ie]
2	AP3BBA000171	Cylinder head	1	<b>Year:</b> 2002[2] <b>Country:</b> Belgium[B], Germany[D], Denmark[DK], A, B, CH, D, DK, E, F, I, NL, P, UK[EU], Holland[NL] <b>Technical Specifications:</b> Version 25 Kw[25k], "DITECH" engine with direct fuel injection[ie]
2	AP3BBA000171	Cylinder head	1	<b>Year:</b> 2001[1] <b>Country:</b> Belgium[B], Germany[D], Denmark[DK], A, B, CH, D, DK, E, F, I, NL, P, UK[EU], Holland[NL] <b>Technical Specifications:</b> Version 25 Kw[25k], "DITECH" engine with direct fuel injection[ie]
2	AP3BBA000606	Cylinder head	1	<b>Year:</b> 2001[1] <b>Country:</b> Belgium[B], Germany[D], Denmark[DK], A, B, CH, D, DK, E, F, I, NL, P, UK[EU], Holland[NL] <b>Technical Specifications:</b> Version 25 Kw[25k], "DITECH" engine with direct fuel injection[ie]
2	AP3BBA000606	Cylinder head	1	<b>Year:</b> 2002[2] <b>Country:</b> Belgium[B], Germany[D], Denmark[DK], A, B, CH, D, DK, E, F, I, NL, P, UK[EU], Holland[NL] <b>Technical Specifications:</b> Version 25 Kw[25k], "DITECH" engine with direct fuel injection[ie]
2	AP3BBA000606	Cylinder head	1	<b>Year:</b> 2000[Y] <b>Technical Specifications:</b> Full Power Version[fp], "DITECH" engine with direct fuel injection[ie]

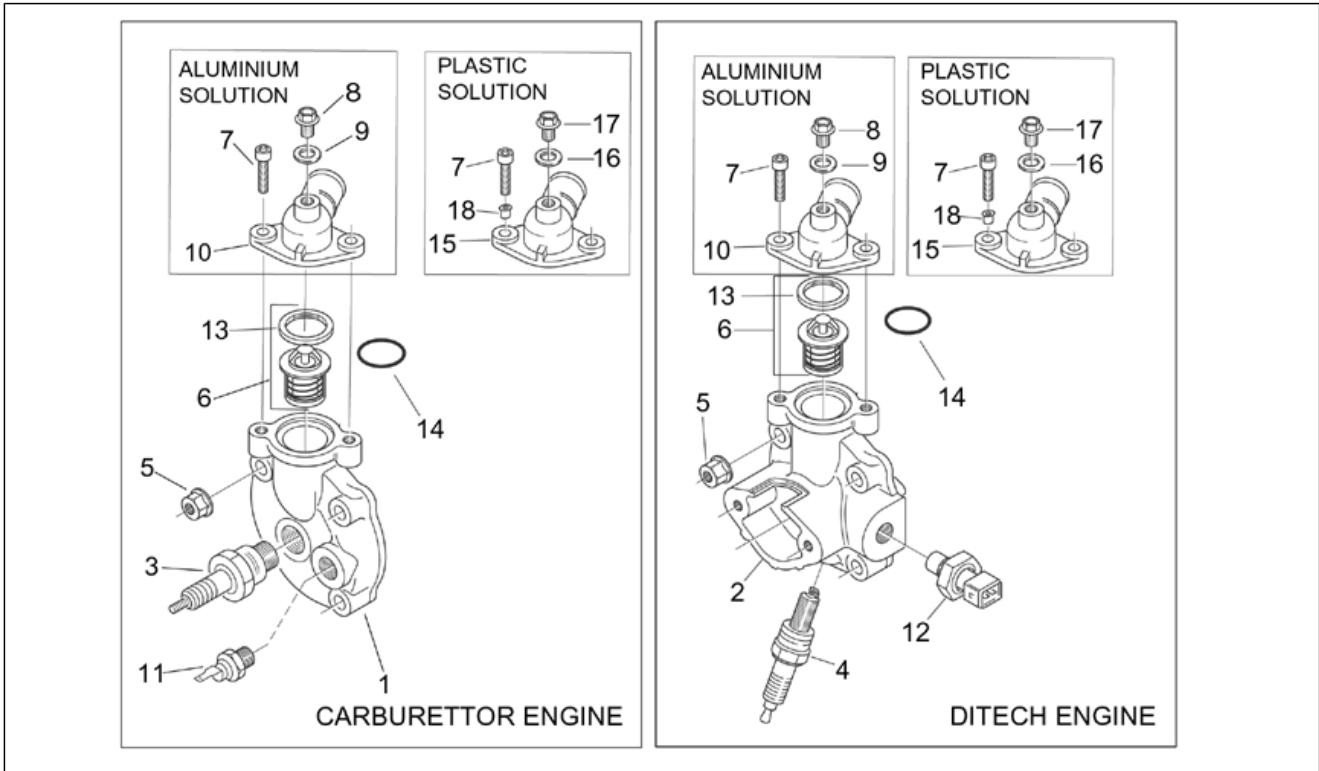


<b>Group</b>	ENGINE
<b>Code</b>	29.42
<b>Description</b>	Cylinder head
<b>Service</b>	1



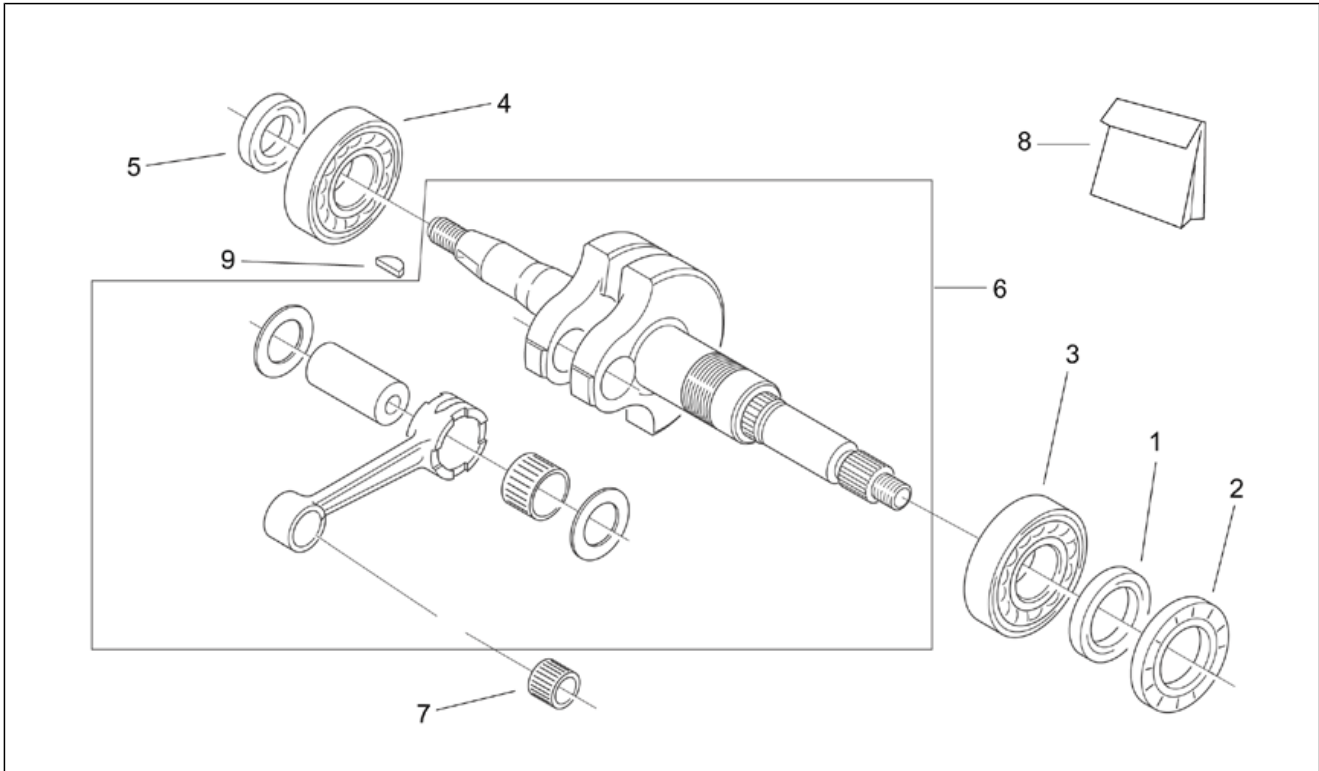
Pos.	Code	Description	Qty	Variants
2	AP3BBA000606	Cylinder head	1	<b>Country:</b> United States of America[AM], Canadian[CA], Canadian[CN], United States of America[USA] <b>Technical Specifications:</b> "DITECH" engine with direct fuel injection[ie]
2	AP3BBA000606	Cylinder head	1	<b>Year:</b> 2001[1] <b>Country:</b> Austria[A], Australia[AA], Australia[AUS], Belgium[B], Switzerland[CH], Germany[D], Denmark[DK], Spain[E], A, B, CH, D, DK, E, F, I, NL, P, UK[EU], France[F], Italy[I], Japan[J], Japan[J], Holland[NL], Portugal[P], Great Britain[UK] <b>Technical Specifications:</b> Full Power Version[fp], "DITECH" engine with direct fuel injection[ie]
2	AP3BBA000606	Cylinder head	1	<b>Year:</b> 2002[2] <b>Country:</b> Austria[A], Australia[AA], Australia[AUS], Belgium[B], Switzerland[CH], Germany[D], Denmark[DK], Spain[E], A, B, CH, D, DK, E, F, I, NL, P, UK[EU], France[F], Italy[I], Japan[J], Japan[J], Holland[NL], Portugal[P], Great Britain[UK] <b>Technical Specifications:</b> Full Power Version[fp], "DITECH" engine with direct fuel injection[ie]
2	AP3BBA000606	Cylinder head	1	<b>Year:</b> 2000[Y] <b>Technical Specifications:</b> Version 25 Kw[25k], "DITECH" engine with direct fuel injection[ie]
3	AP2BEN000088	Spark plug BPR7HS	1	<b>Technical Specifications:</b> Engine with carburettor[carb]
4	AP2BEN000276	Spark plug CPR8E	1	<b>Technical Specifications:</b> "DITECH" engine with direct fuel injection[ie]
5	AP3BDN000005	Flanged nut	4	
6	AP2BAA000060	Thermostat	1	<b>Technical Specifications:</b> Engine with carburettor[carb]
6	AP2BAA000643	Thermostat	1	<b>Technical Specifications:</b> "DITECH" engine with direct fuel injection[ie]
7	AP4ADN000014	screw	2	
8	AP3AUN000124	Screw w/ flange	1	
9	AP4EEN000063	Aluminium washer	1	

<b>Group</b>	ENGINE
<b>Code</b>	29.42
<b>Description</b>	Cylinder head
<b>Service</b>	1



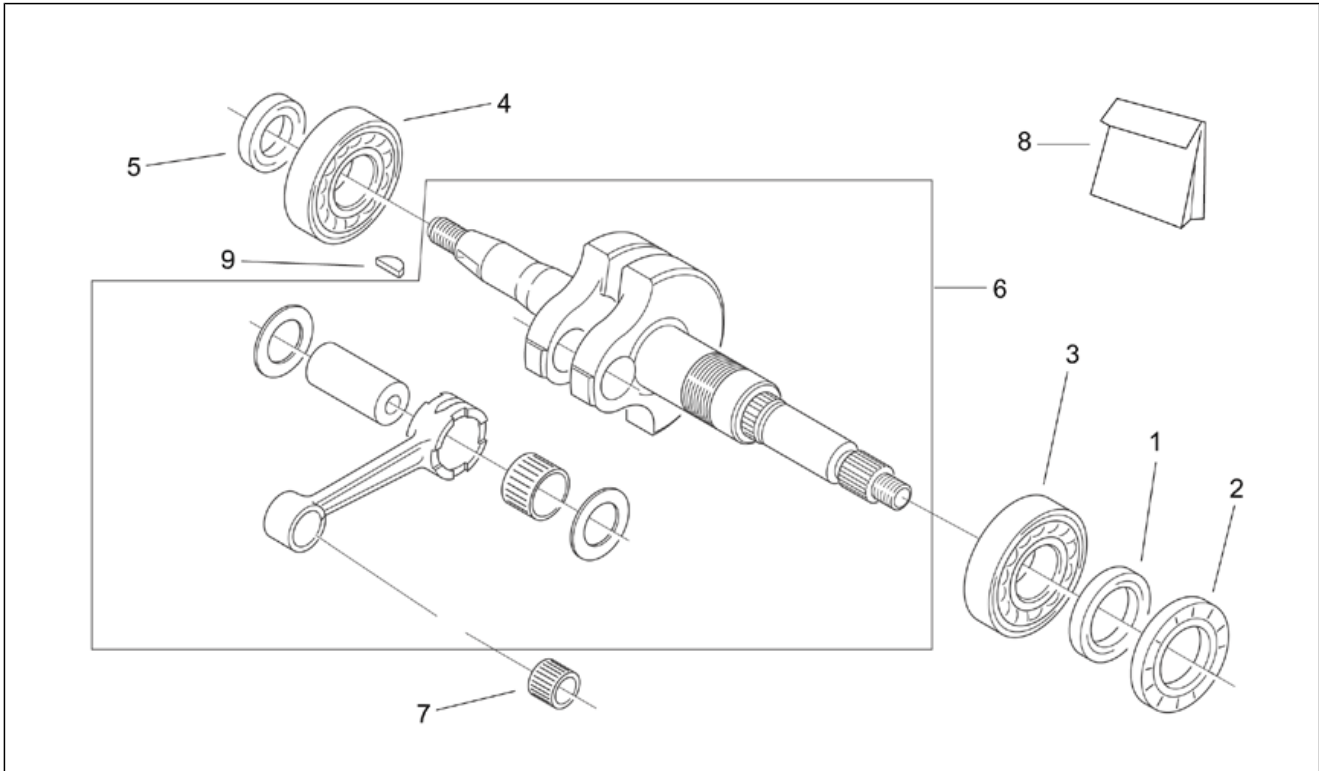
Pos.	Code	Description	Qty	Variants
10	AP3LAA000110	Aluminium water outlet union	1	
11	AP2BAA000067	Thermistor	1	<b>Technical Specifications:</b> Engine with carburettor[carb]
12	AP2BAA000164	Thermistor	1	<b>Technical Specifications:</b> "DITECH" engine with direct fuel injection[ie]
13	AP5RLR000114	Thermostat gasket	1	
14	AP2EAN000081	O-ring	1	<b>Technical Specifications:</b> Engine with carburettor[carb], Rear disc brake[f.d.]
14	AP2EAN000081	O-ring	1	<b>Technical Specifications:</b> "DITECH" engine with direct fuel injection[ie]
14	AP2EAN000312	O-ring	1	<b>Technical Specifications:</b> Engine with carburettor[carb], Rear drum brake[ft.]
15	AP3LAA000586	Plastic water outlet union	1	
16	AP3EDN000281	Paper gasket	1	
17	AP4APN000267	Self-tap screw 5,5x13	1	
18	AP3UAN000061	T bush	2	

<b>Group</b>	ENGINE
<b>Code</b>	29.43
<b>Description</b>	Drive shaft
<b>Service</b>	1



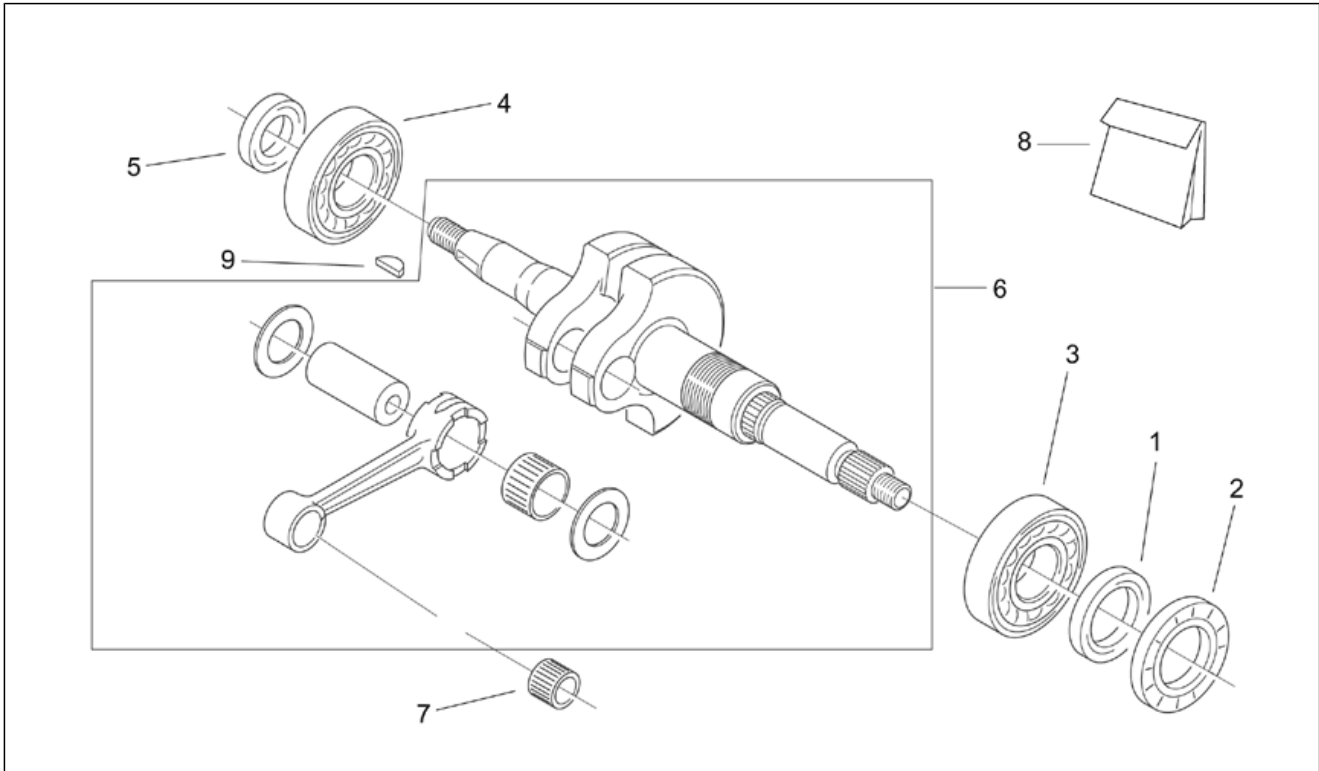
Pos.	Code	Description	Qty	Variants
1	AP3EBN000042	Oil seal 25x37x6	1	<b>Technical Specifications:</b> Engine with carburettor[carb]
1	AP3EBN000183	Oil seal 25X37X6	1	<b>Technical Specifications:</b> "DITECH" engine with direct fuel injection[ie]
2	AP3EBN000043	Oil seal 24x43x6	1	<b>Technical Specifications:</b> Engine with carburettor[carb]
3	AP2GAN000219	Bearing	1	<b>Technical Specifications:</b> "DITECH" engine with direct fuel injection[ie]
3	AP3GAN000040	Bearing d25x52x13	1	<b>Technical Specifications:</b> Engine with carburettor[carb]
4	AP3GAN000214	Bearing	1	<b>Year:</b> 2000[Y] <b>Technical Specifications:</b> Version 25 Kw[25k], "DITECH" engine with direct fuel injection[ie]
4	AP3GAN000214	Bearing	1	<b>Year:</b> 2000[Y] <b>Technical Specifications:</b> Full Power Version[fp], "DITECH" engine with direct fuel injection[ie]
4	AP3GAN000214	Bearing	1	<b>Country:</b> United States of America[AM], Canadian[CA], Canadian[CN], United States of America[USA] <b>Technical Specifications:</b> "DITECH" engine with direct fuel injection[ie]
4	AP3GAN000214	Bearing	1	<b>Year:</b> 2001[1] <b>Country:</b> Belgium[B], Germany[D], Denmark[DK], A, B, CH, D, DK, E, F, I, NL, P, UK[EU], Holland[NL] <b>Technical Specifications:</b> Version 25 Kw[25k], "DITECH" engine with direct fuel injection[ie]
4	AP3GAN000214	Bearing	1	<b>Year:</b> 2002[2] <b>Country:</b> Belgium[B], Germany[D], Denmark[DK], A, B, CH, D, DK, E, F, I, NL, P, UK[EU], Holland[NL] <b>Technical Specifications:</b> Version 25 Kw[25k], "DITECH" engine with direct fuel injection[ie]
4	AP3GAN000214	Bearing	1	<b>Year:</b> 2002[2] <b>Country:</b> Austria[A], Australia[AA], Australia[AUS], Belgium[B], Switzerland[CH], Germany[D], Denmark[DK], Spain[E], A, B, CH, D, DK, E, F, I, NL, P, UK[EU], France[F], Italy[I], Japan[J], Japan[JJ], Holland[NL], Portugal[P], Great Britain[UK]

<b>Group</b>	ENGINE
<b>Code</b>	29.43
<b>Description</b>	Drive shaft
<b>Service</b>	1



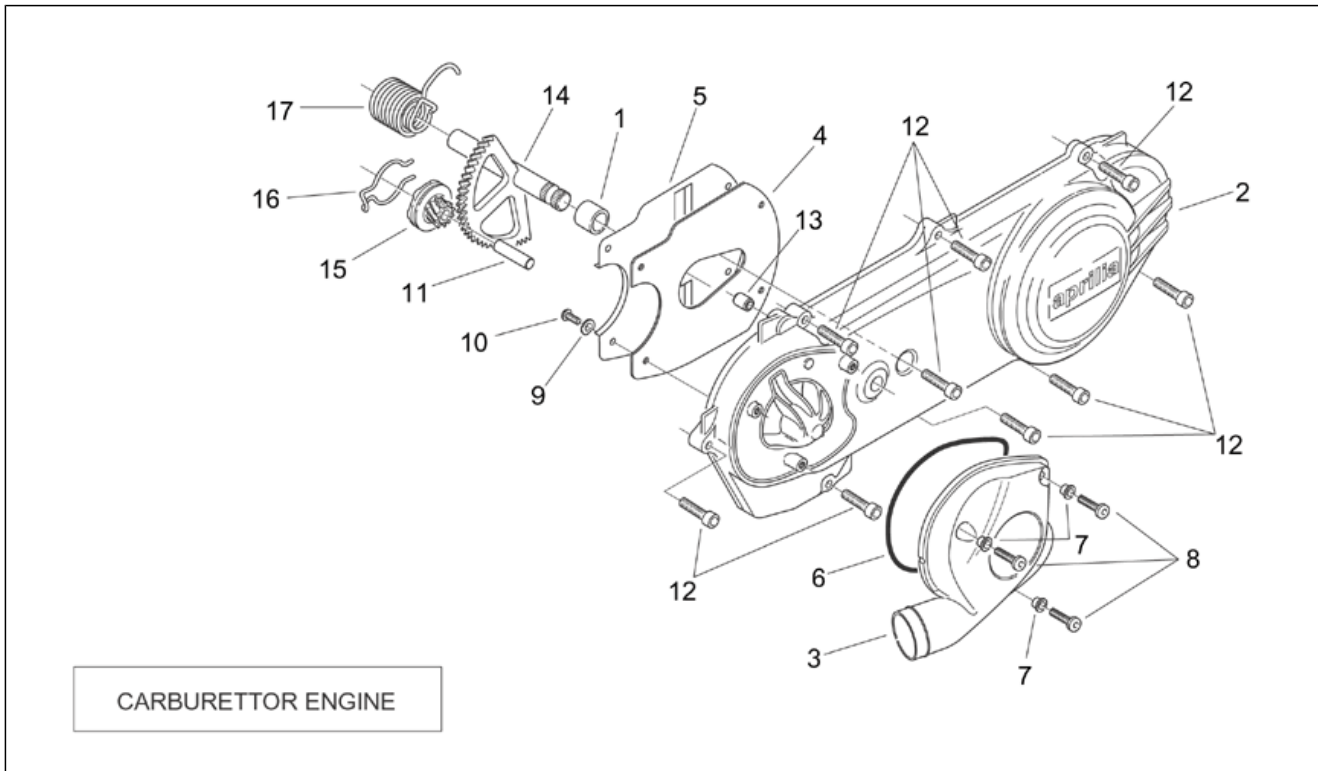
Pos.	Code	Description	Qty	Variants
				<b>Technical Specifications:</b> Full Power Version[fp], "DITECH" engine with direct fuel injection[ie]
4	AP3GAN000214	Bearing	1	<b>Year:</b> 2001[1] <b>Country:</b> Austria[A], Australia[AA], Australia[AUS], Belgium[B], Switzerland[CH], Germany[D], Denmark[DK], Spain[E], A, B, CH, D, DK, E, F, I, NL, P, UK[EU], France[F], Italy[I], Japan[J], Japan[JJ], Holland[NL], Portugal[P], Great Britain[UK] <b>Technical Specifications:</b> Full Power Version[fp], "DITECH" engine with direct fuel injection[ie]
4	AP4GAN000003	Bearing d20x47x14	1	<b>Year:</b> 2000[Y] <b>Technical Specifications:</b> Full Power Version[fp], "DITECH" engine with direct fuel injection[ie]
4	AP4GAN000003	Bearing d20x47x14	1	<b>Year:</b> 2001[1] <b>Country:</b> Belgium[B], Germany[D], Denmark[DK], A, B, CH, D, DK, E, F, I, NL, P, UK[EU], Holland[NL] <b>Technical Specifications:</b> Version 25 Kw[25k], "DITECH" engine with direct fuel injection[ie]
4	AP4GAN000003	Bearing d20x47x14	1	<b>Year:</b> 2001[1] <b>Country:</b> Austria[A], Australia[AA], Australia[AUS], Belgium[B], Switzerland[CH], Germany[D], Denmark[DK], Spain[E], A, B, CH, D, DK, E, F, I, NL, P, UK[EU], France[F], Italy[I], Japan[J], Japan[JJ], Holland[NL], Portugal[P], Great Britain[UK] <b>Technical Specifications:</b> Full Power Version[fp], "DITECH" engine with direct fuel injection[ie]
4	AP4GAN000003	Bearing d20x47x14	1	<b>Technical Specifications:</b> Engine with carburettor[carb]
4	AP4GAN000003	Bearing d20x47x14	1	<b>Year:</b> 2002[2] <b>Country:</b> Belgium[B], Germany[D], Denmark[DK], A, B, CH, D, DK, E, F, I, NL, P, UK[EU], Holland[NL] <b>Technical Specifications:</b> Version 25 Kw[25k], "DITECH" engine with direct fuel injection[ie]
5	AP3EBN000044	Oil seal 17x27x6	1	<b>Technical Specifications:</b> Engine with carburettor[carb]
5	AP3EBN000180	Oil seal 17X27X6	1	<b>Technical Specifications:</b> "DITECH" engine with direct fuel injection[ie]

<b>Group</b>	ENGINE
<b>Code</b>	29.43
<b>Description</b>	Drive shaft
<b>Service</b>	1



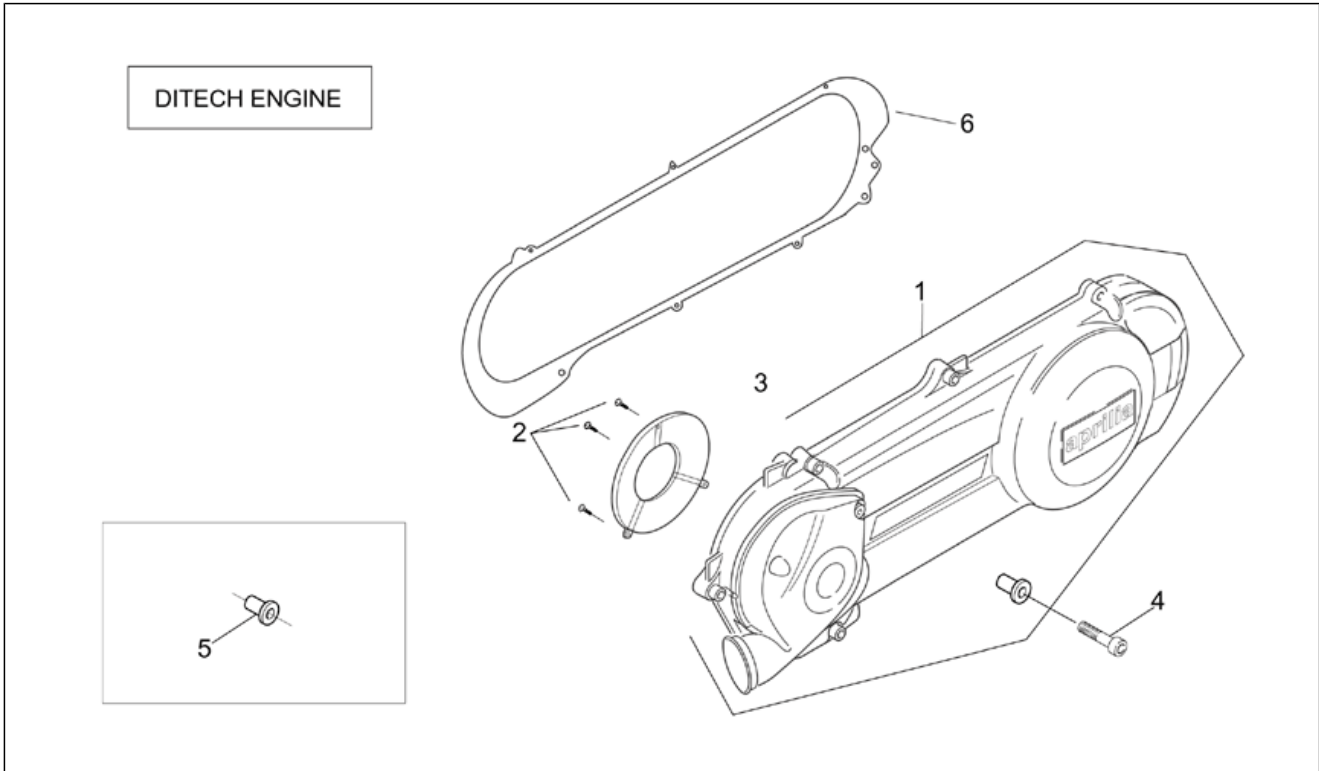
Pos.	Code	Description	Qty	Variants
6	AP1BFA000147	Crankshaft cpl.	1	<b>Technical Specifications:</b> Engine with carburettor[carb]
6	AP1BFA000699	Crankshaft cpl.	1	<b>Technical Specifications:</b> "DITECH" engine with direct fuel injection[ie]
7	AP2GLN000192	Pin cage 12x16x16	1	
8	AP5RZR000097	Oil seals - set	1	<b>Technical Specifications:</b> Engine with carburettor[carb]
8	AP5RZR000099	Oil seals - set	1	<b>Technical Specifications:</b> "DITECH" engine with direct fuel injection[ie]
9	AP4FAN000030	Flywheel magneto key	1	

<b>Group</b>	ENGINE
<b>Code</b>	29.44
<b>Description</b>	Transmission cover (Carburettor)
<b>Service</b>	1



Pos.	Code	Description	Qty	Variants
1	AP3TAA000073	Kick-start shaft bush	1	<b>Technical Specifications:</b> Engine with carburettor[carb]
2	AP3HZA000154	Kickstart cover	1	<b>Technical Specifications:</b> Engine with carburettor[carb]
3	AP3HZA000157	Aeration cover	1	<b>Technical Specifications:</b> Engine with carburettor[carb]
4	AP3HAA000083	Acoustic insulation panel	1	<b>Technical Specifications:</b> Engine with carburettor[carb]
5	AP3HAA000158	Air duct	1	<b>Technical Specifications:</b> Engine with carburettor[carb]
6	AP3EAN000097	Gasket	1	<b>Technical Specifications:</b> Engine with carburettor[carb]
7	AP3HAN000173	T bush	3	<b>Technical Specifications:</b> Engine with carburettor[carb]
8	AP3ATN000193	Hex socket screw	3	<b>Technical Specifications:</b> Engine with carburettor[carb]
9	AP4DFN000032	Washer	2	<b>Technical Specifications:</b> Engine with carburettor[carb]
10	AP4ATN000177	Hex socket screw M5x10	4	<b>Technical Specifications:</b> Engine with carburettor[carb]
11	AP3HAA000045	Pin	1	<b>Technical Specifications:</b> Engine with carburettor[carb]
12	AP4ADN000016	Hex socket screw	9	<b>Technical Specifications:</b> Engine with carburettor[carb]
13	AP3FCN000270	Pin	2	<b>Technical Specifications:</b> Engine with carburettor[carb]
14	AP1BTA000071	Kick shaft assy	1	<b>Technical Specifications:</b> Engine with carburettor[carb]
15	AP3TCA000072	Sliding kick-start gear	1	<b>Technical Specifications:</b> Engine with carburettor[carb]
16	AP3TAA000042	Kickstarter spring	1	<b>Technical Specifications:</b> Engine with carburettor[carb]
17	AP3TAA000055	Lever return spring	1	<b>Technical Specifications:</b> Engine with carburettor[carb]

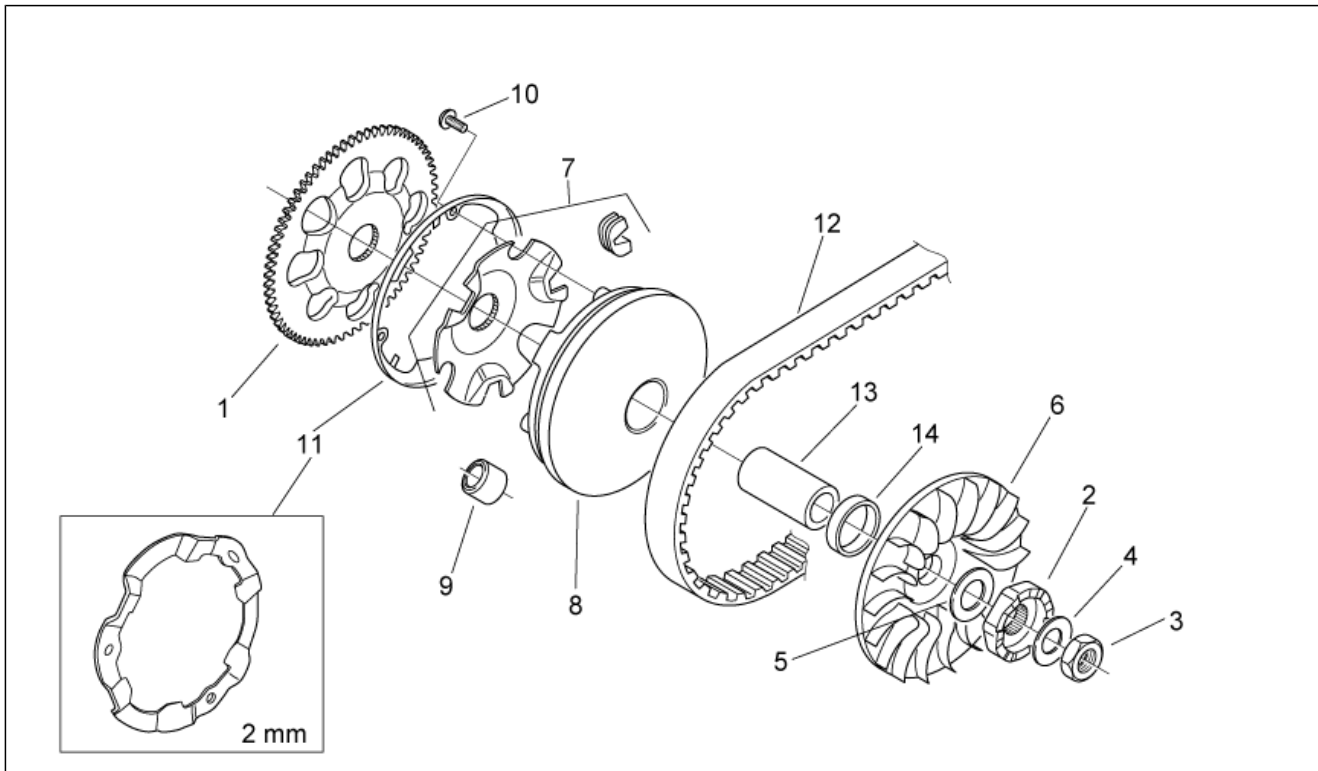
<b>Group</b>	ENGINE
<b>Code</b>	29.45
<b>Description</b>	Transmission cover (Ditech)
<b>Service</b>	1



Pos.	Code	Description	Qty	Variants
1	AP5RHR000002	Variator cover	1	<b>Technical Specifications:</b> "DITECH" engine with direct fuel injection[ie]
2	AP2APN000213	Self-tap screw 3,9x14	3	<b>Technical Specifications:</b> "DITECH" engine with direct fuel injection[ie]
3	AP3MAA000450	Duct bulkhead	1	<b>Technical Specifications:</b> "DITECH" engine with direct fuel injection[ie]
4	AP4ADN000016	Hex socket screw	8	<b>Technical Specifications:</b> "DITECH" engine with direct fuel injection[ie]
5	AP3MAN000264	T bush	8	<b>Technical Specifications:</b> "DITECH" engine with direct fuel injection[ie]
6	AP3HVA000468	Variator cover gasket	1	<b>Technical Specifications:</b> "DITECH" engine with direct fuel injection[ie]

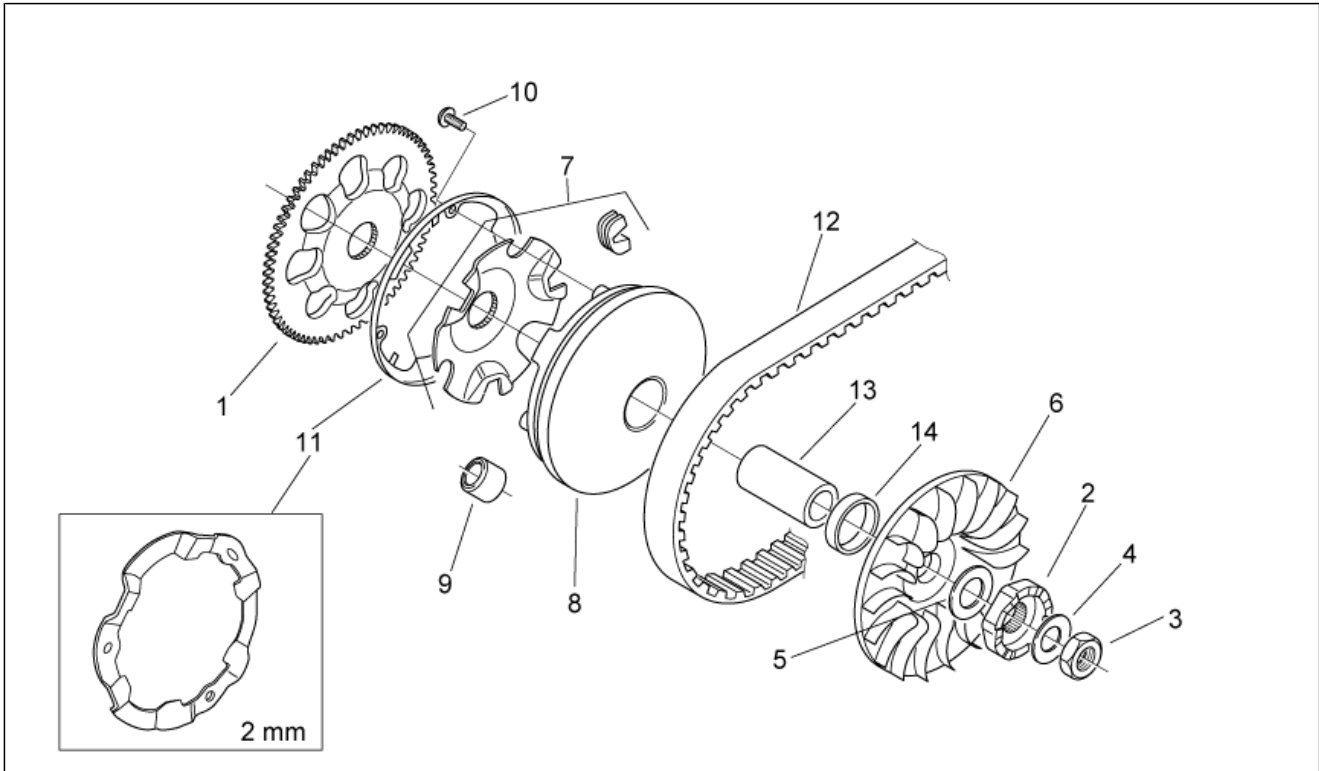


<b>Group</b>	ENGINE
<b>Code</b>	29.46
<b>Description</b>	Variator
<b>Service</b>	1



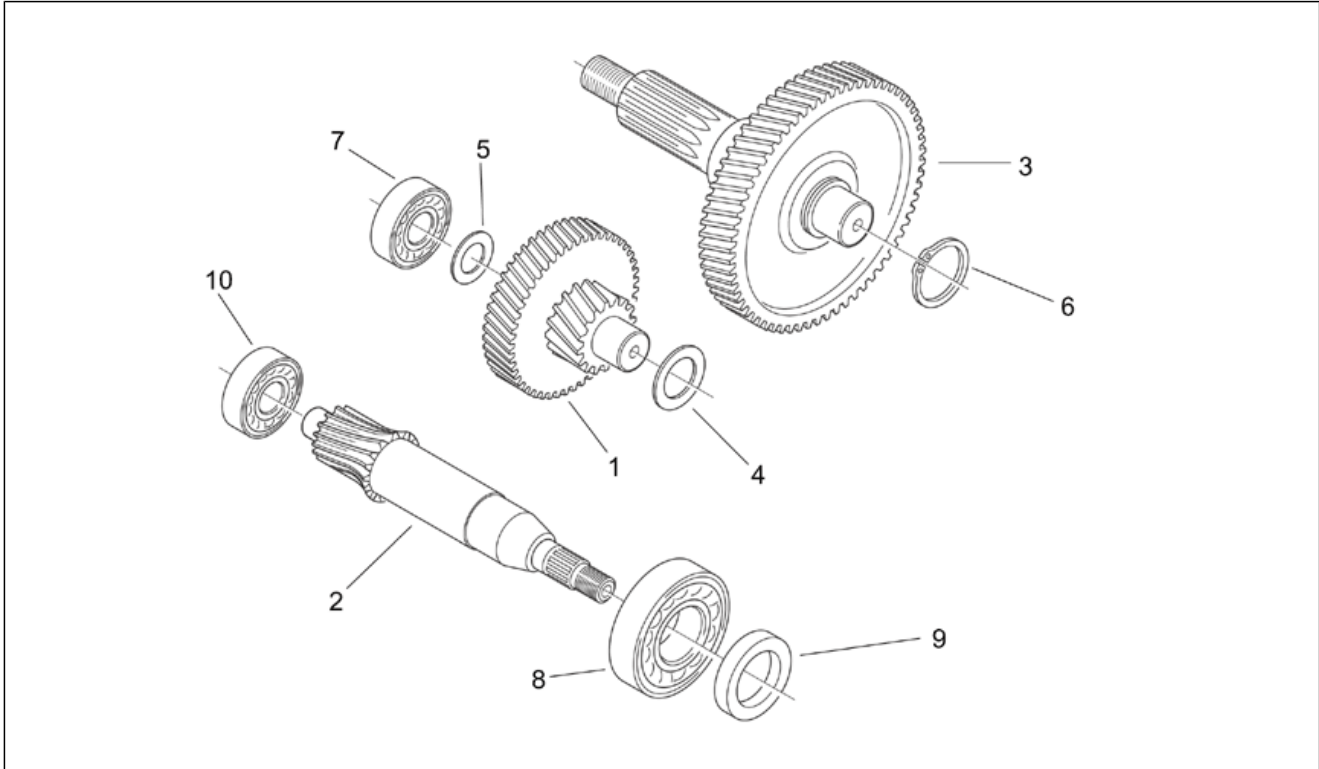
Pos.	Code	Description	Qty	Variants
1	AP3QEA000031	Starter motor gear	1	
2	AP3TDA000074	Toothed start clutch cup	1	
3	AP3TAN000060	Low nut m12x1,25	1	
4	AP4DHN000020	Belleville spring	1	
5	AP3TAN000172	Spacer 14,3x23x1	1	
6	AP2MEA000424	Fixed pulley	1	<b>Technical Specifications:</b> Mark ADLER[AD]
6	AP3MEA000620	Fixed pulley	1	<b>Technical Specifications:</b> Mark HONK ZENG[HZ]
7	AP2MEA000530	Ramp plate	1	<b>Technical Specifications:</b> Mark ADLER[AD]
7	AP5RMR000235	Ramp plate	1	<b>Technical Specifications:</b> Mark HONK ZENG[HZ]
8	AP2MEA000419	Pulley assy., driving	1	<b>Technical Specifications:</b> Mark ADLER[AD]
8	AP5RMR000234	Pulley assy., driving	1	<b>Technical Specifications:</b> Mark HONK ZENG[HZ]
9	AP2MEA000420	Pin roller 7,7g	6	<b>Country:</b> Austria[A], Australia[AA], Australia[AUS], Belgium[B], Switzerland[CH], Germany[D], Denmark[DK], Spain[E], A, B, CH, D, DK, E, F, I, NL, P, UK[EU], France[F], Greece[GR], Italy[I], Japan[J], Japan[JJ], Holland[NL], Portugal[P], Great Britain[UK] <b>Technical Specifications:</b> Mark ADLER[AD]
9	AP2MEA000557	Pin roller	6	<b>Technical Specifications:</b> Version 25 Kw[25k], Mark ADLER[AD]
9	AP2MEA000661	Pin roller	6	<b>Country:</b> United States of America[AM], Canadian[CA], Canadian[CN], United States of America[USA] <b>Technical Specifications:</b> Mark ADLER[AD]
9	AP2MEA000805	Pin roller 11,3g	6	<b>Country:</b> United States of America[AM], Canadian[CA], Canadian[CN], United States of America[USA] <b>Technical Specifications:</b> Mark HONK ZENG[HZ]
9	AP5RMR000237	Pin roller	6	<b>Technical Specifications:</b> Mark HONK ZENG[HZ]
10	AP2MEN000187	screw	3	<b>Technical Specifications:</b> Mark ADLER[AD]
10	AP3MEN000302	screw	3	<b>Technical Specifications:</b> Mark HONK ZENG[HZ]
11	AP2MEA000423	Pulley cover 0,5 mm	1	<b>Technical Specifications:</b> Mark ADLER[AD]
11	AP3MEA000715	Pulley cover 2 mm	1	<b>Country:</b> Austria[A], Australia[AA], Australia[AUS], Belgium[B], Switzerland[CH], Germany[D], Denmark[DK],

<b>Group</b>	ENGINE
<b>Code</b>	29.46
<b>Description</b>	Variator
<b>Service</b>	1



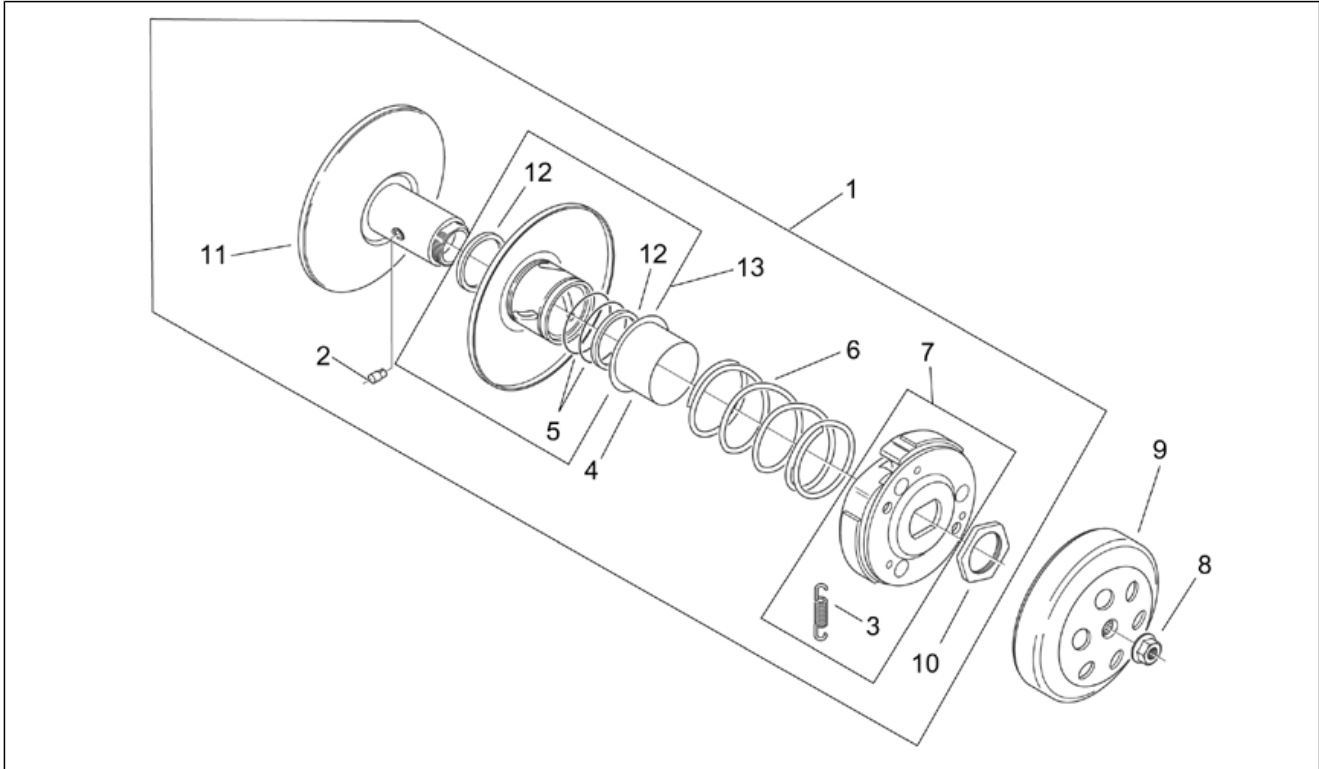
Pos.	Code	Description	Qty	Variants
				Spain[E], A, B, CH, D, DK, E, F, I, NL, P, UK[EU], France[F], Greece[GR], Italy[I], Japan[J], Japan[JJ], Holland[NL], Portugal[P], Great Britain[UK] <b>Technical Specifications:</b> Mark HONK ZENG[HZ]
11	AP3MEA000840	Pulley cover 0,5 mm	1	<b>Country:</b> United States of America[AM], Canadian[CA], Canadian[CN], United States of America[USA] <b>Technical Specifications:</b> Mark HONK ZENG[HZ]
12	AP2MCA000014	Vee-Belt	1	<b>Technical Specifications:</b> Mark ADLER[AD]
13	AP2MEN000188	Bush	1	<b>Technical Specifications:</b> Mark ADLER[AD]
13	AP3MEN000255	Bush	1	<b>Technical Specifications:</b> Mark HONK ZENG[HZ]
14	AP3MAN000087	Spacer 4 mm	1	<b>Country:</b> United States of America[AM], Canadian[CA], Canadian[CN], United States of America[USA] <b>Technical Specifications:</b> Mark ADLER[AD]
14	AP3MAN000190	Spacer	1	<b>Country:</b> Austria[A], Australia[AA], Australia[AUS], Belgium[B], Switzerland[CH], Germany[D], Denmark[DK], Spain[E], A, B, CH, D, DK, E, F, I, NL, P, UK[EU], France[F], Greece[GR], Italy[I], Japan[J], Japan[JJ], Holland[NL], Portugal[P], Great Britain[UK] <b>Technical Specifications:</b> Mark ADLER[AD]
14	AP3MAN000272	Spacer	1	<b>Technical Specifications:</b> Version 25 Kw[25k], Mark ADLER[AD]

<b>Group</b>	ENGINE
<b>Code</b>	29.47
<b>Description</b>	Reduction
<b>Service</b>	1



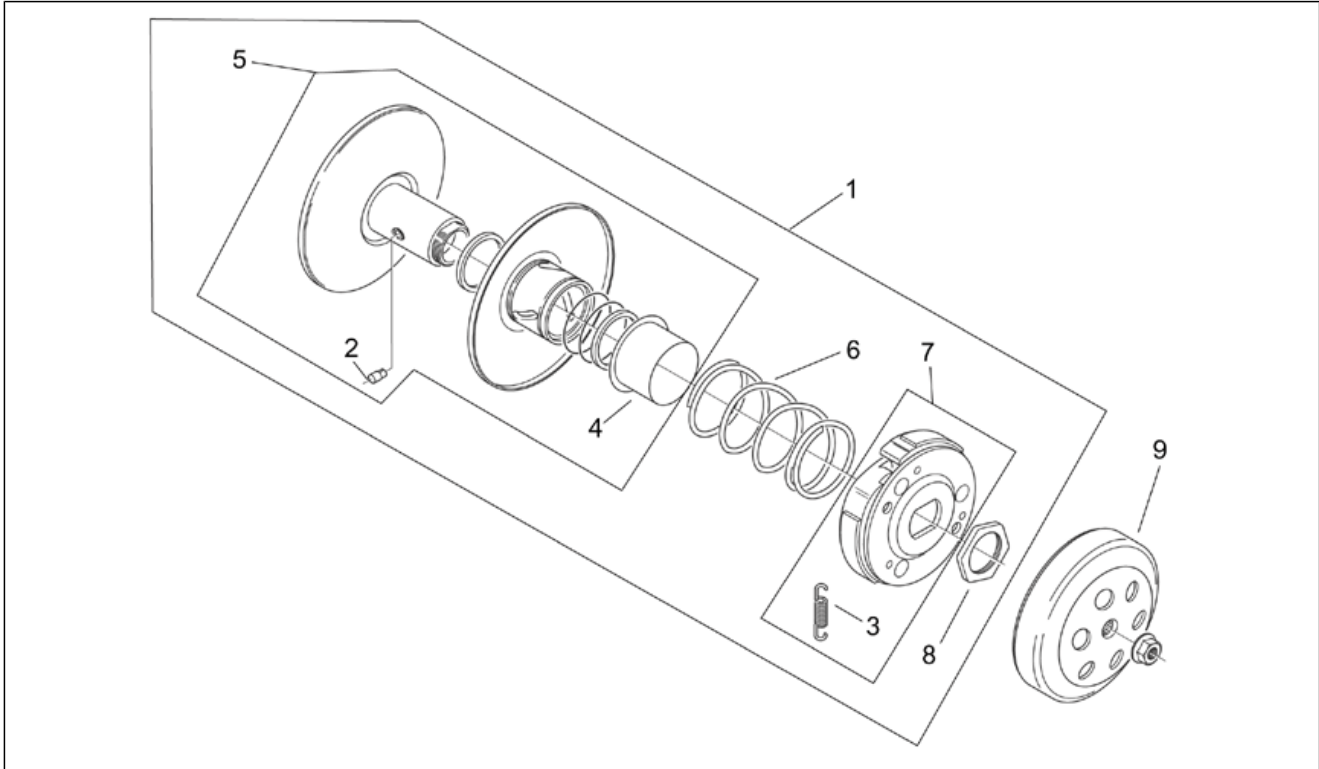
Pos.	Code	Description	Qty	Variants
1	AP1BOA000028	Idle gear assy Z=17/51	1	
2	AP3NBA000027	Drive shaft	1	
3	AP1BOA000029	Drive shaft assy Z=64	1	
4	AP3NAN000059	LH Thrust washer	1	
5	AP3NAN000058	RH Thrust washer	1	
6	AP3FBN000049	Circlip	1	
7	AP4GAN000025	Bearing d12x32x10	1	
8	AP3GAN000051	Bearing d22x50x14	1	
9	AP3EBN000046	Oil seal 22x32x5	1	
10	AP2GAN000113	Bearing d12X32X10	1	

<b>Group</b>	ENGINE
<b>Code</b>	29.48
<b>Description</b>	Adler clutch
<b>Service</b>	1



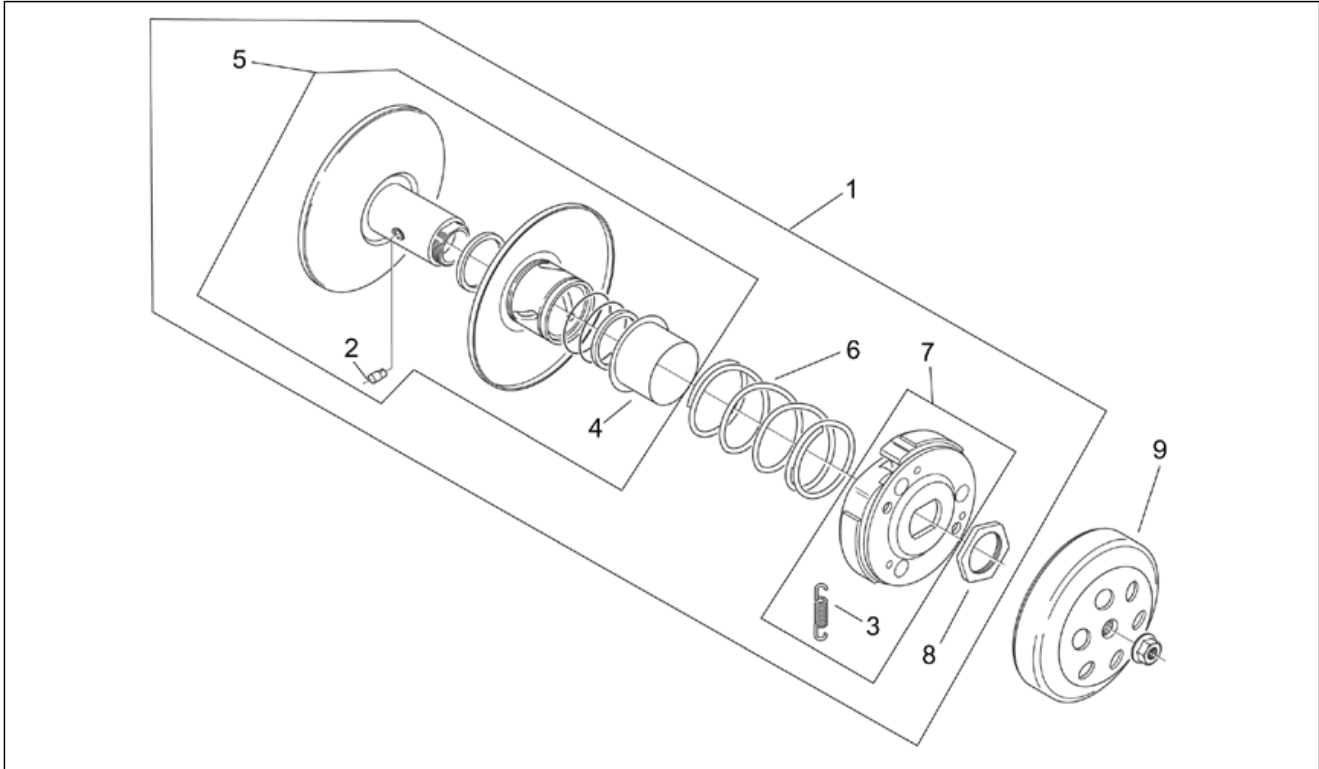
Pos.	Code	Description	Qty	Variants
1	AP2MDA000425	Speed variator w/ clutch	1	<b>Technical Specifications:</b> Mark ADLER[AD], Engine with carburettor[carb]
1	AP2MDA000428	Speed variator w/ clutch	1	<b>Technical Specifications:</b> Mark ADLER[AD], "DITECH" engine with direct fuel injection[ie]
2	AP5RMR000092	Guide roller for variator	3	<b>Technical Specifications:</b> Mark ADLER[AD]
3	AP5RMR000098	Brake shoes return spring	3	<b>Technical Specifications:</b> Mark ADLER[AD], Engine with carburettor[carb]
3	AP5RMR000100	Brake shoes return spring	1	<b>Technical Specifications:</b> Mark ADLER[AD], "DITECH" engine with direct fuel injection[ie]
4	AP5RMR000088	Variator spring cup	1	<b>Technical Specifications:</b> Mark ADLER[AD]
5	AP5RMR000097	O-ring	2	<b>Technical Specifications:</b> Mark ADLER[AD]
6	AP5RMR000087	Sec. sheave spring	1	<b>Technical Specifications:</b> Mark ADLER[AD]
7	AP5RMR000086	Centrifugal clutch assy	1	<b>Technical Specifications:</b> Mark ADLER[AD], Engine with carburettor[carb]
7	AP5RMR000099	Centrifugal clutch assy	1	<b>Technical Specifications:</b> Mark ADLER[AD], "DITECH" engine with direct fuel injection[ie]
8	AP4BDN000039	Flanged nut m10x1,5	1	<b>Technical Specifications:</b> Mark ADLER[AD]
9	AP2MDA000426	Clutch housing, complete	1	<b>Technical Specifications:</b> Mark ADLER[AD]
10	AP5RMR000085	Nut	1	<b>Technical Specifications:</b> Mark ADLER[AD]
11	AP5RMR000090	Sec. fixed sheave, complete	1	<b>Technical Specifications:</b> Mark ADLER[AD]
12	AP5RMR000096	Oil seal	2	<b>Technical Specifications:</b> Mark ADLER[AD]
13	AP5RMR000089	Sec. sliding sheave, complete	1	<b>Technical Specifications:</b> Mark ADLER[AD]

<b>Group</b>	ENGINE
<b>Code</b>	29.49
<b>Description</b>	Hong Zengr clutch
<b>Service</b>	1



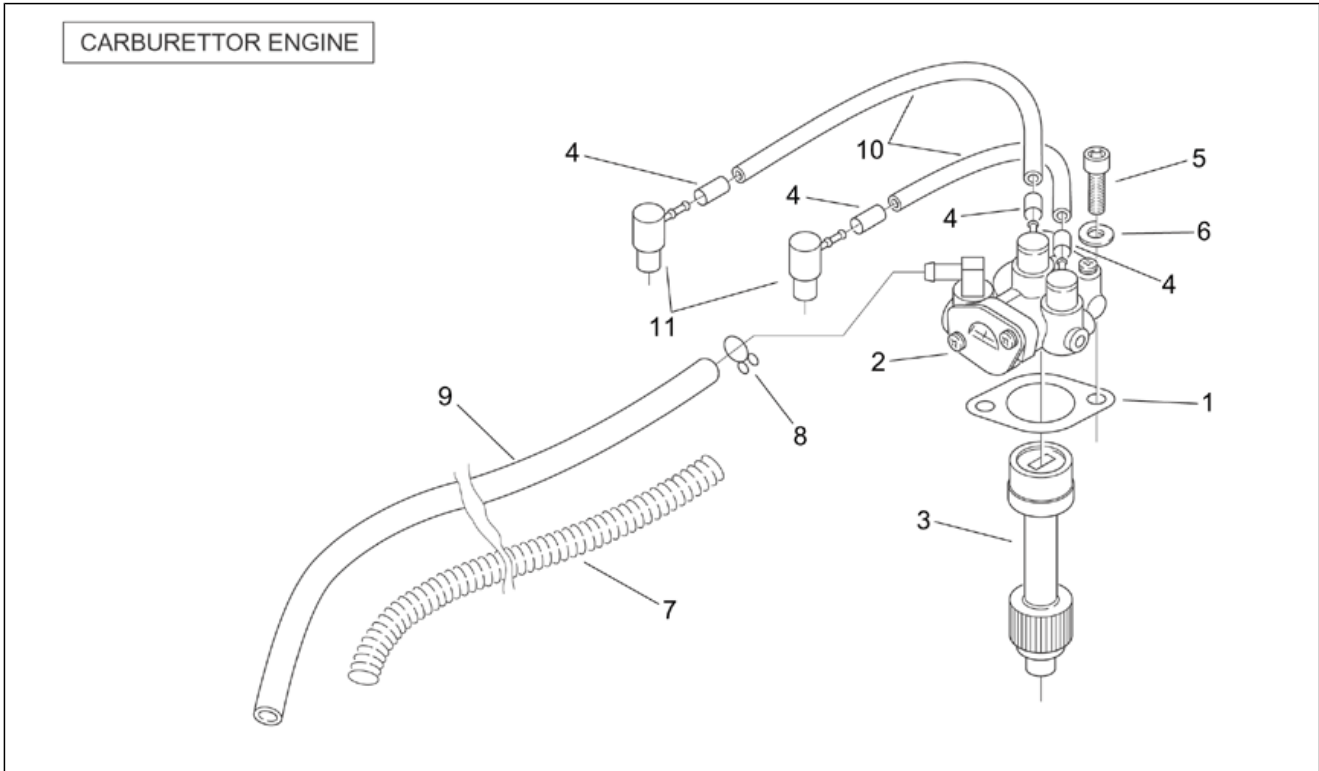
Pos.	Code	Description	Qty	Variants
1	AP3MDA000621	Secondary pulley	1	<b>Country:</b> Austria[A], Australia[AA], Australia[AUS], Belgium[B], Switzerland[CH], Germany[D], Denmark[DK], Spain[E], A, B, CH, D, DK, E, F, I, NL, P, UK[EU], France[F], Greece[GR], Italy[I], Japan[J], Japan[JJ], Holland[NL], Portugal[P], Great Britain[UK] <b>Technical Specifications:</b> Mark HONK ZENG[HZ], "DITECH" engine with direct fuel injection[ie]
1	AP3MDA000759	Secondary pulley	1	<b>Country:</b> United States of America[AM], Canadian[CA], Canadian[CN], United States of America[USA] <b>Technical Specifications:</b> Mark HONK ZENG[HZ], "DITECH" engine with direct fuel injection[ie]
2	AP5RMR000245	Guide pin	3	<b>Technical Specifications:</b> Mark HONK ZENG[HZ], "DITECH" engine with direct fuel injection[ie]
3	AP5RMR000246	Brake shoes return spring 12Kg	1	<b>Country:</b> Austria[A], Australia[AA], Australia[AUS], Belgium[B], Switzerland[CH], Germany[D], Denmark[DK], Spain[E], A, B, CH, D, DK, E, F, I, NL, P, UK[EU], France[F], Greece[GR], Italy[I], Japan[J], Japan[JJ], Holland[NL], Portugal[P], Great Britain[UK] <b>Technical Specifications:</b> Mark HONK ZENG[HZ], "DITECH" engine with direct fuel injection[ie]
3	AP5RMR000248	Brake shoes return spring 10Kg	1	<b>Country:</b> United States of America[AM], Canadian[CA], Canadian[CN], United States of America[USA] <b>Technical Specifications:</b> Mark HONK ZENG[HZ], "DITECH" engine with direct fuel injection[ie]
4	AP5RMR000242	Variator spring cup	1	<b>Technical Specifications:</b> Mark HONK ZENG[HZ], "DITECH" engine with direct fuel injection[ie]
5	AP5RMR000243	Sliding secondary pulley	1	<b>Technical Specifications:</b> Mark HONK ZENG[HZ], "DITECH" engine with direct fuel injection[ie]
6	AP5RMR000241	Sec. sheave spring	1	<b>Technical Specifications:</b> Mark HONK ZENG[HZ], "DITECH" engine with direct fuel injection[ie]
7	AP5RMR000240	Centrifugal clutch assy	1	<b>Technical Specifications:</b> Mark HONK ZENG[HZ], "DITECH" engine with direct fuel injection[ie]
8	AP5RMR000239	Nut	1	<b>Technical Specifications:</b> Mark HONK ZENG[HZ], "DITECH" engine with direct fuel injection[ie]

<b>Group</b>	ENGINE
<b>Code</b>	29.49
<b>Description</b>	Hong Zengr clutch
<b>Service</b>	1



Pos.	Code	Description	Qty	Variants
9	AP3MDA000619	Clutch drum	1	<b>Technical Specifications:</b> Mark HONK ZENG[HZ], "DITECH" engine with direct fuel injection[ie]

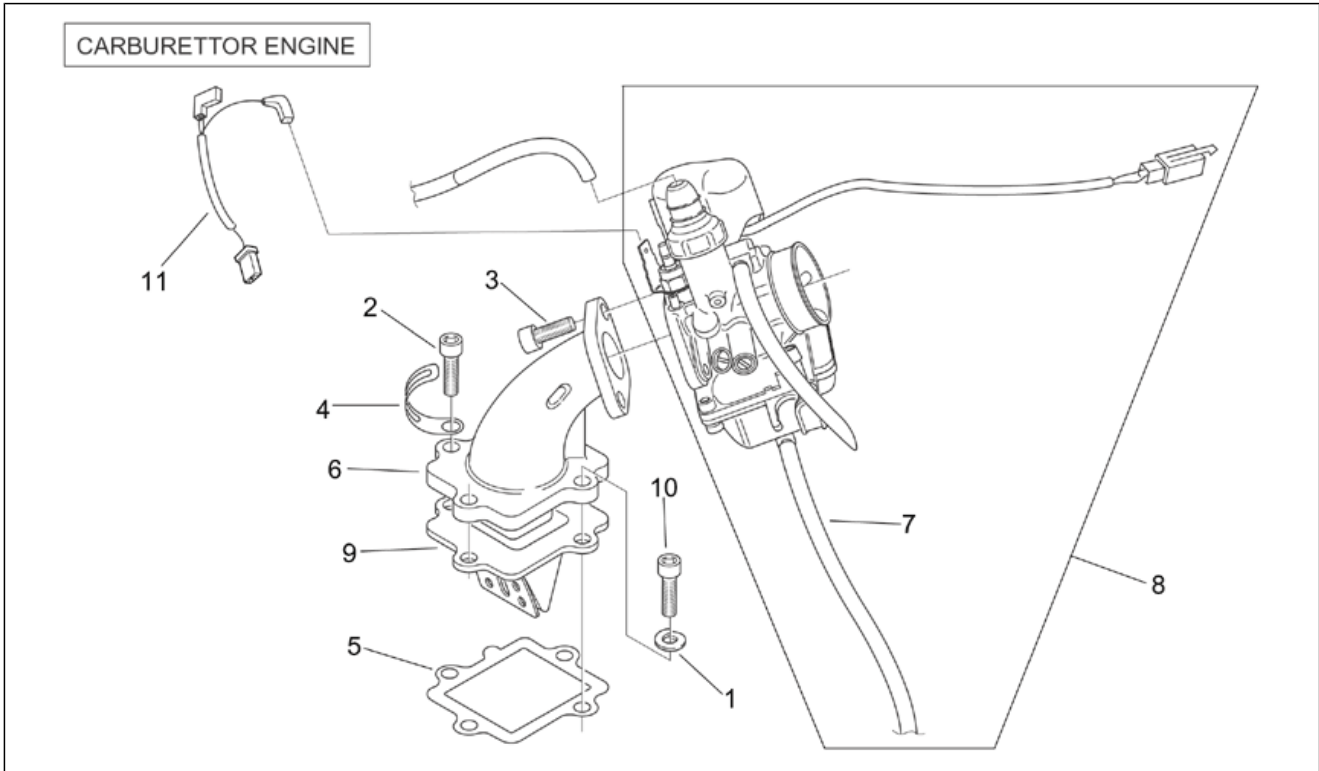
<b>Group</b>	ENGINE
<b>Code</b>	29.50
<b>Description</b>	Oil pump (Carurettor)
<b>Service</b>	1



Pos.	Code	Description	Qty	Variants
1	AP3IVA000022	Mix oil pump gasket	1	<b>Technical Specifications:</b> Engine with carburettor[carb]
2	AP2IBA000161	Oil pump	1	<b>Technical Specifications:</b> Engine with carburettor[carb]
3	AP3ICA000054	Oil pump shaft assy.	1	<b>Technical Specifications:</b> Engine with carburettor[carb]
4	AP2FBN000021	Clip	4	<b>Technical Specifications:</b> Engine with carburettor[carb]
5	AP4ADN000028	Hex socket screw	2	<b>Technical Specifications:</b> Engine with carburettor[carb]
6	AP4DFN000032	Washer	2	<b>Technical Specifications:</b> Engine with carburettor[carb]
7	AP3IAA000052	Spring	1	<b>Technical Specifications:</b> Engine with carburettor[carb]
8	AP2FBN000034	Hose clamp	1	<b>Technical Specifications:</b> Engine with carburettor[carb]
9	AP2HAN000035	Oil pipe	1	<b>Technical Specifications:</b> Engine with carburettor[carb]
10	AP2HAN000022	Oil pipe	1	<b>Technical Specifications:</b> Engine with carburettor[carb]
11	AP2HAA000051	Oil anti-return valve	2	<b>Technical Specifications:</b> Engine with carburettor[carb], Up to engine number ABL022021976[T3]
11	AP2HAA000487	Brass oil anti-return valve	2	<b>Technical Specifications:</b> Engine with carburettor[carb], From engine number ABL022021977[F3]

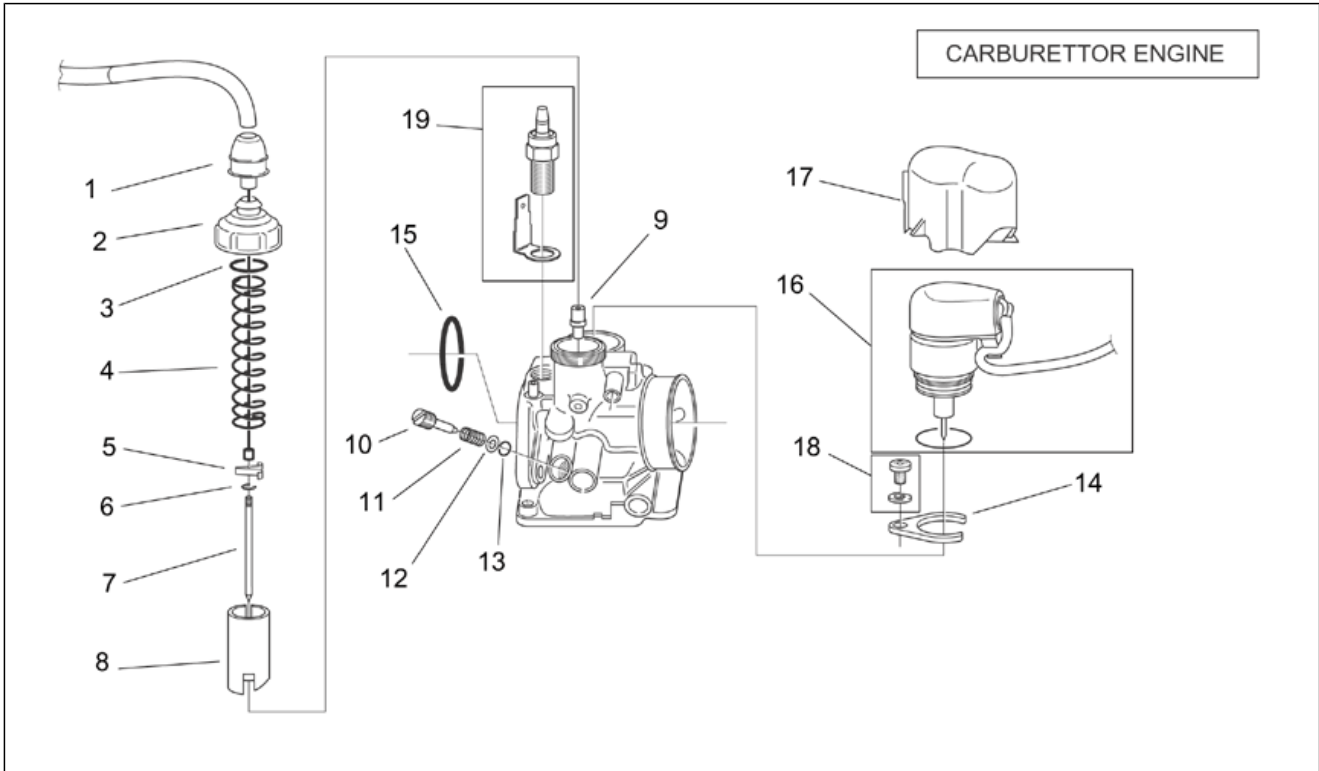


<b>Group</b>	ENGINE
<b>Code</b>	29.51
<b>Description</b>	Supply (Carburettor)
<b>Service</b>	1



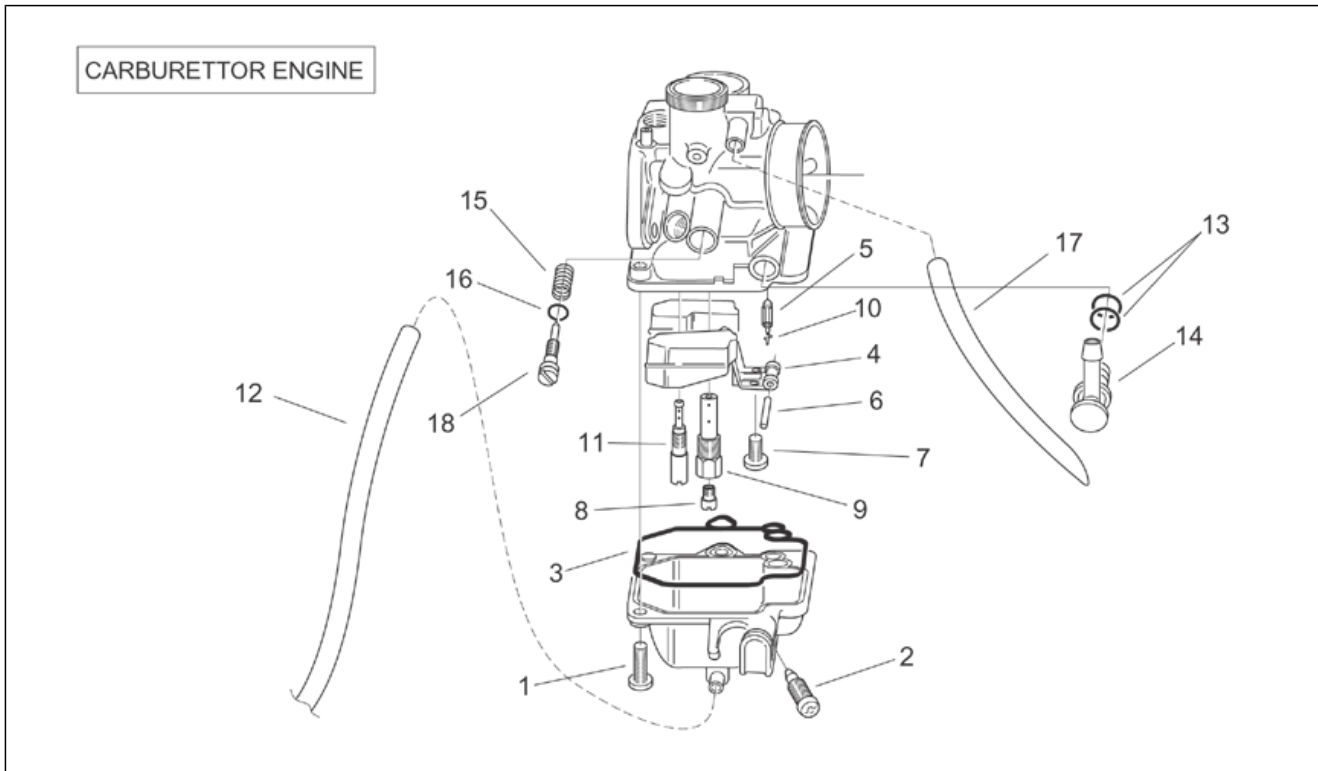
Pos.	Code	Description	Qty	Variants
1	AP4DFN000033	Washer	3	<b>Technical Specifications:</b> Engine with carburettor[carb]
2	AP3AVN000086	Shear rivet	2	<b>Technical Specifications:</b> Engine with carburettor[carb]
3	AP4ADN000015	screw	2	<b>Technical Specifications:</b> Engine with carburettor[carb]
4	AP3AAN000054	Hose clamp	1	<b>Technical Specifications:</b> Engine with carburettor[carb]
5	AP3AVA000063	Fuel intake valve gasket	1	<b>Technical Specifications:</b> Engine with carburettor[carb]
6	AP3ABA000062	Intake manifold	1	<b>Technical Specifications:</b> Engine with carburettor[carb]
7	AP5RAR000065	pipe	1	<b>Technical Specifications:</b> Engine with carburettor[carb]
8	AP2ADA000080	Carburettor w/heater	1	<b>Country:</b> Austria[A], Belgium[B], Germany[D], Denmark[DK], Spain[E], France[F], Greece[GR], Italy[I], Japan[J], Holland[NL], Portugal[P], Great Britain[UK] <b>Technical Specifications:</b> Engine with carburettor[carb]
8	AP2ADA000441	Carburettor w/heater	1	<b>Country:</b> Switzerland[CH] <b>Technical Specifications:</b> Engine with carburettor[carb]
9	AP3AEA000002	Reed valve assy	1	<b>Technical Specifications:</b> Engine with carburettor[carb]
10	AP4ADN000014	screw	2	<b>Technical Specifications:</b> Engine with carburettor[carb]
11	AP8224326	Heater wiring	1	<b>Technical Specifications:</b> Engine with carburettor[carb]

<b>Group</b>	ENGINE
<b>Code</b>	29.52
<b>Description</b>	Carburettor I
<b>Service</b>	1



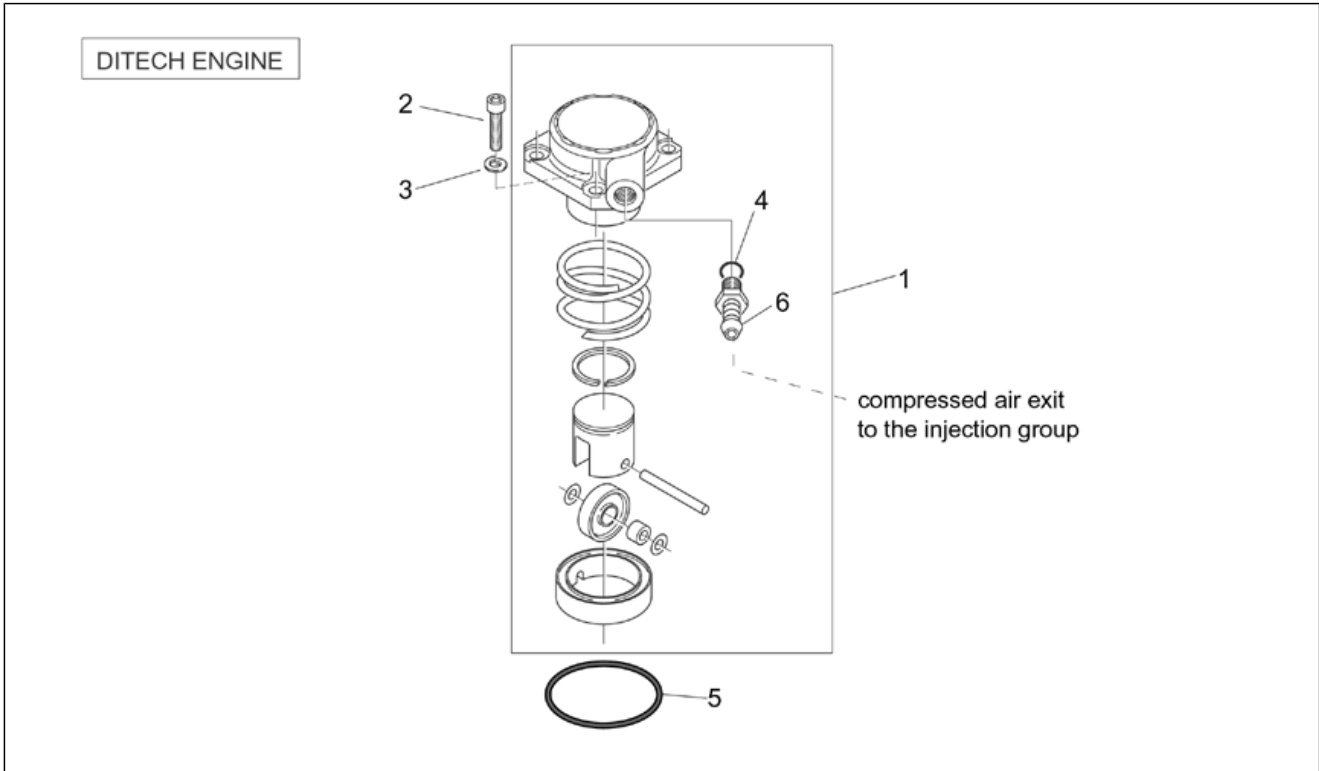
Pos.	Code	Description	Qty	Variants
1	AP5RAR000047	Cover	1	<b>Technical Specifications:</b> Engine with carburettor[carb]
2	AP5RAR000048	Gas valve cover	1	<b>Technical Specifications:</b> Engine with carburettor[carb]
3	AP5RAR000049	Gasket	1	<b>Technical Specifications:</b> Engine with carburettor[carb]
4	AP5RAR000050	Spring	1	<b>Technical Specifications:</b> Engine with carburettor[carb]
5	AP5RAR000051	Plate	1	<b>Technical Specifications:</b> Engine with carburettor[carb]
6	AP5RAR000052	Metering rod lock	1	<b>Technical Specifications:</b> Engine with carburettor[carb]
7	AP5RAR000053	Jet Needle	1	<b>Technical Specifications:</b> Engine with carburettor[carb]
8	AP5RAR000054	Valve	1	<b>Technical Specifications:</b> Engine with carburettor[carb]
9	AP5RAR000099	Needle valve	1	<b>Technical Specifications:</b> Engine with carburettor[carb]
10	AP5RAR000056	Air fuel screw	1	<b>Technical Specifications:</b> Engine with carburettor[carb]
11	AP5RAR000057	Spring	1	<b>Technical Specifications:</b> Engine with carburettor[carb]
12	AP5RAR000058	Washer	1	<b>Technical Specifications:</b> Engine with carburettor[carb]
13	AP5RAR000059	O-ring	1	<b>Technical Specifications:</b> Engine with carburettor[carb]
14	AP5RAR000043	Starter fixing plate	1	<b>Technical Specifications:</b> Engine with carburettor[carb]
15	AP5RAR000044	O-ring	1	<b>Technical Specifications:</b> Engine with carburettor[carb]
16	AP5RAR000045	Choke valve	1	<b>Technical Specifications:</b> Engine with carburettor[carb]
17	AP5RAR000041	External cover	1	<b>Technical Specifications:</b> Engine with carburettor[carb]
18	AP5RAR000042	screw	1	<b>Technical Specifications:</b> Engine with carburettor[carb]
19	AP5RAR000098	Heater	1	<b>Technical Specifications:</b> Engine with carburettor[carb]

<b>Group</b>	ENGINE
<b>Code</b>	29.53
<b>Description</b>	Carburettor II
<b>Service</b>	1



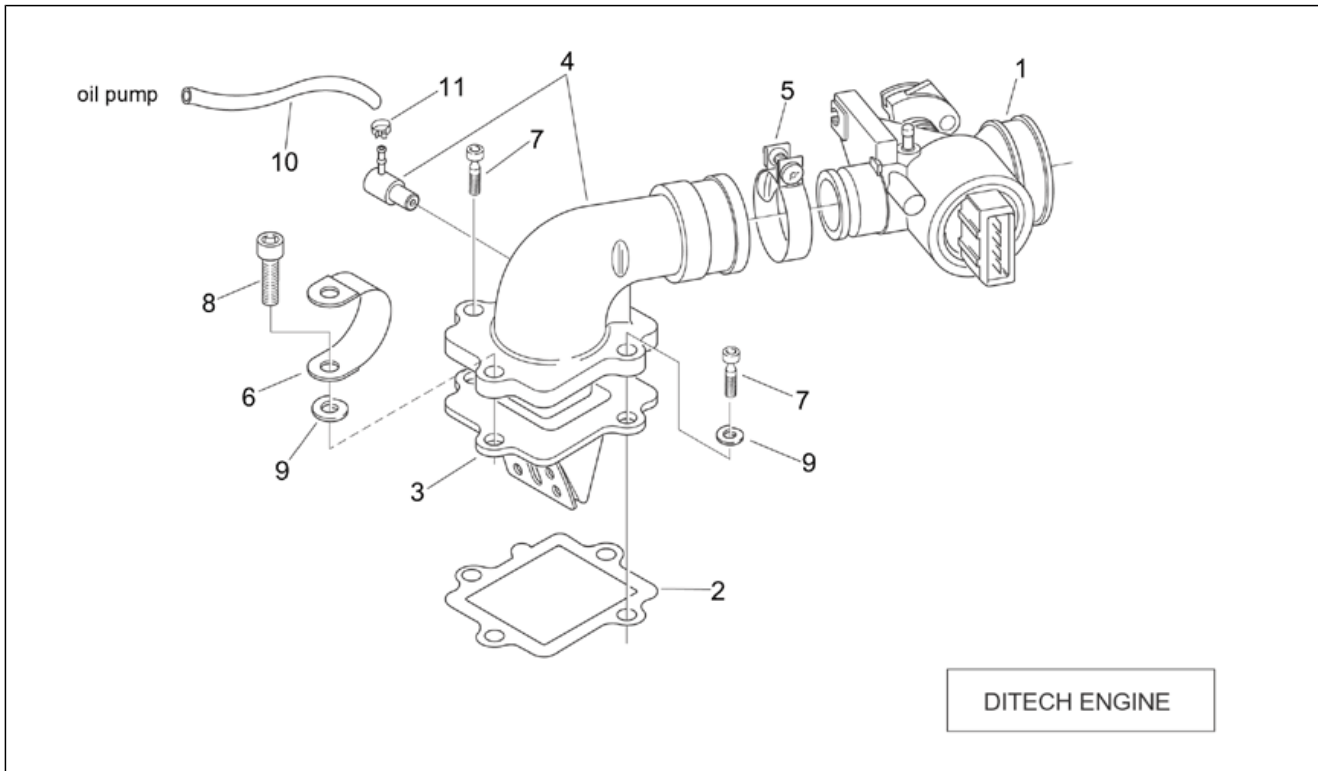
Pos.	Code	Description	Qty	Variants
1	AP5RAR000030	screw	2	<b>Technical Specifications:</b> Engine with carburettor[carb]
2	AP5RAR000031	Fuel unload screw	1	<b>Technical Specifications:</b> Engine with carburettor[carb]
3	AP5RAR000032	Gasket	1	<b>Technical Specifications:</b> Engine with carburettor[carb]
4	AP5RAR000033	Float	1	<b>Technical Specifications:</b> Engine with carburettor[carb]
5	AP5RAR000034	Needle valve	1	<b>Technical Specifications:</b> Engine with carburettor[carb]
6	AP5RAR000035	Float pin	1	<b>Technical Specifications:</b> Engine with carburettor[carb]
7	AP5RAR000036	screw	1	<b>Technical Specifications:</b> Engine with carburettor[carb]
8	AP5RAR000066	Main Jet	1	<b>Technical Specifications:</b> Engine with carburettor[carb]
9	AP5RAR000038	Jetholder	1	<b>Technical Specifications:</b> Engine with carburettor[carb]
10	AP5RAR000039	Lock	1	<b>Technical Specifications:</b> Engine with carburettor[carb]
11	AP5RAR000040	Idle jet	1	<b>Technical Specifications:</b> Engine with carburettor[carb]
12	AP5RAR000065	pipe	1	<b>Technical Specifications:</b> Engine with carburettor[carb]
13	AP5RAR000064	O-ring	2	<b>Technical Specifications:</b> Engine with carburettor[carb]
14	AP5RAR000063	Joint	1	<b>Technical Specifications:</b> Engine with carburettor[carb]
15	AP5RAR000062	Spring	1	<b>Technical Specifications:</b> Engine with carburettor[carb]
16	AP5RAR000061	O-ring	1	<b>Technical Specifications:</b> Engine with carburettor[carb]
17	AP5RAR000046	pipe	1	<b>Technical Specifications:</b> Engine with carburettor[carb]
18	AP5RAR000060	Adj.min.eng.speed screw	1	<b>Technical Specifications:</b> Engine with carburettor[carb]

<b>Group</b>	ENGINE
<b>Code</b>	29.54
<b>Description</b>	Air compressor (Ditech)
<b>Service</b>	1



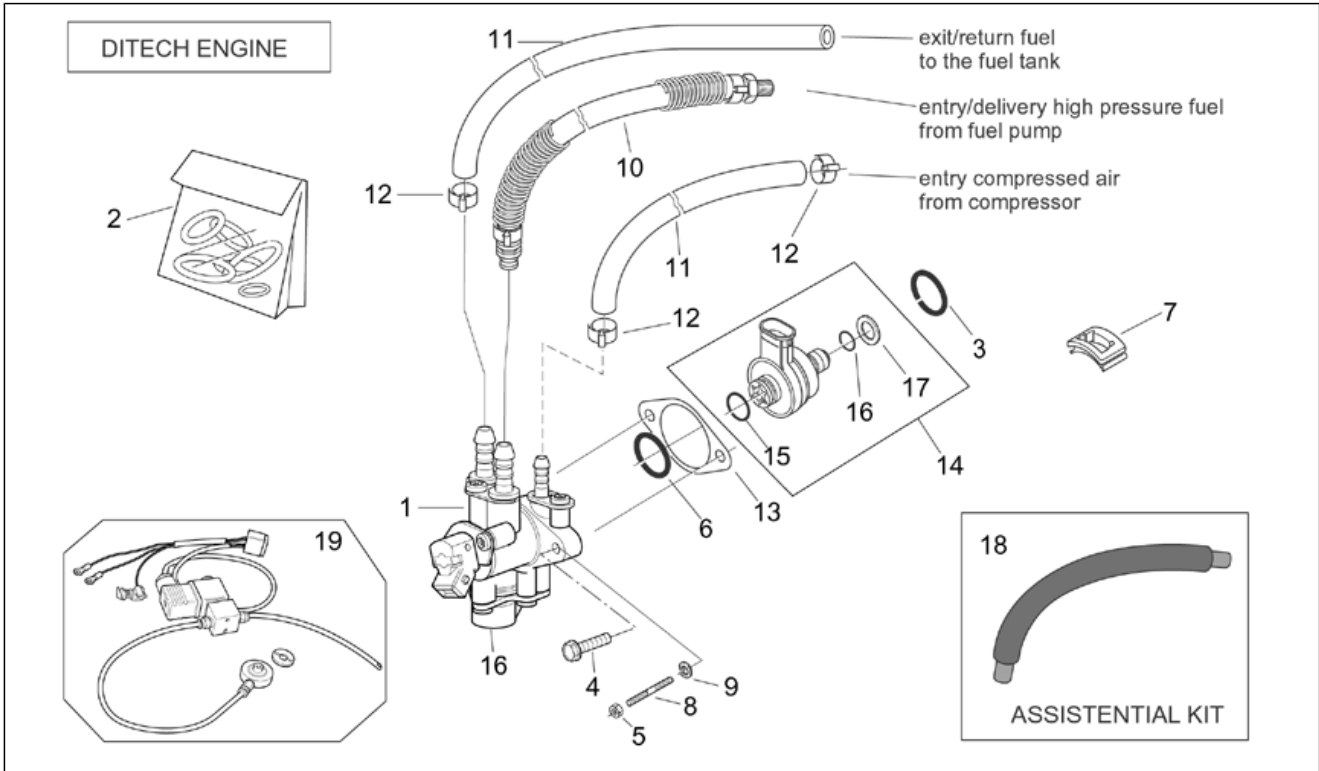
Pos.	Code	Description	Qty	Variants
1	AP3AFA000162	Compressor	1	<b>Technical Specifications:</b> "DITECH" engine with direct fuel injection[ie]
2	AP4ADN000027	screw	4	<b>Technical Specifications:</b> "DITECH" engine with direct fuel injection[ie]
3	AP4DFN000032	Washer	4	<b>Technical Specifications:</b> "DITECH" engine with direct fuel injection[ie]
4	AP5RAR000112	O-ring	1	<b>Technical Specifications:</b> "DITECH" engine with direct fuel injection[ie]
5	AP2EAN000185	O-ring 44,2x1,8	1	<b>Technical Specifications:</b> "DITECH" engine with direct fuel injection[ie]
6	AP5RAR000104	Compressor connector	1	<b>Technical Specifications:</b> "DITECH" engine with direct fuel injection[ie]

<b>Group</b>	ENGINE
<b>Code</b>	29.55
<b>Description</b>	Throttle body (Ditech)
<b>Service</b>	1



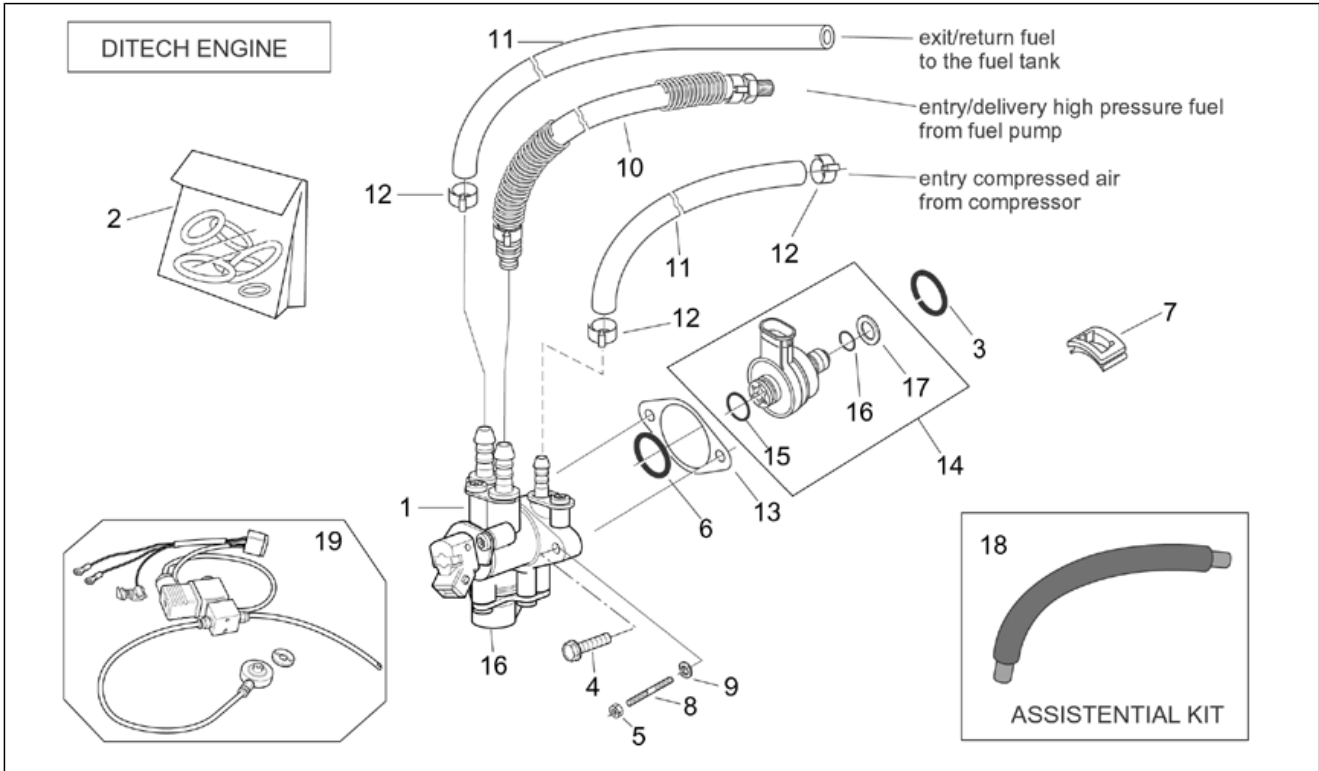
Pos.	Code	Description	Qty	Variants
1	AP3ACA000132	Throttle body cpl.	1	<b>Technical Specifications:</b> "DITECH" engine with direct fuel injection[ie]
2	AP3AVA000063	Fuel intake valve gasket	1	<b>Technical Specifications:</b> "DITECH" engine with direct fuel injection[ie]
3	AP3AEA000002	Reed valve assy	1	<b>Technical Specifications:</b> "DITECH" engine with direct fuel injection[ie]
4	AP5RAR000175	Intake manifold	1	<b>Technical Specifications:</b> "DITECH" engine with direct fuel injection[ie]
5	AP2FDN000201	Hose clamp	1	<b>Technical Specifications:</b> "DITECH" engine with direct fuel injection[ie]
6	AP3AAN000054	Hose clamp	1	<b>Technical Specifications:</b> "DITECH" engine with direct fuel injection[ie]
7	AP3AVN000086	Shear rivet	2	<b>Technical Specifications:</b> "DITECH" engine with direct fuel injection[ie]
8	AP4ADN000014	screw	2	<b>Technical Specifications:</b> "DITECH" engine with direct fuel injection[ie]
9	AP4DFN000033	Washer	3	<b>Technical Specifications:</b> "DITECH" engine with direct fuel injection[ie]
10	AP2HAN000224	Oil pipe	1	<b>Technical Specifications:</b> "DITECH" engine with direct fuel injection[ie]
11	AP2FBN000034	Hose clamp	1	<b>Technical Specifications:</b> "DITECH" engine with direct fuel injection[ie]

<b>Group</b>	ENGINE
<b>Code</b>	29.56
<b>Description</b>	Injection unit (Ditech)
<b>Service</b>	1



Pos.	Code	Description	Qty	Variants
1	AP3AEA000133	Inlet valve	1	<b>Technical Specifications:</b> From engine number ABL011004546[F2], "DITECH" engine with direct fuel injection[ie]
1	AP3AEA000547	Inlet valve	1	<b>Year:</b> 2000[Y] <b>Technical Specifications:</b> Full Power Version[fp], "DITECH" engine with direct fuel injection[ie]
1	AP3AEA000547	Inlet valve	1	<b>Year:</b> 2000[Y] <b>Technical Specifications:</b> Version 25 Kw[25k], "DITECH" engine with direct fuel injection[ie]
1	AP3AEA000547	Inlet valve	1	<b>Year:</b> 2002[2] <b>Country:</b> Belgium[B], Germany[D], Denmark[DK], A, B, CH, D, DK, E, F, I, NL, P, UK[EU], Holland[NL] <b>Technical Specifications:</b> Version 25 Kw[25k], "DITECH" engine with direct fuel injection[ie]
1	AP3AEA000547	Inlet valve	1	<b>Year:</b> 2001[1] <b>Country:</b> Austria[A], Australia[AA], Australia[AUS], Belgium[B], Switzerland[CH], Germany[D], Denmark[DK], Spain[E], A, B, CH, D, DK, E, F, I, NL, P, UK[EU], France[F], Italy[I], Japan[J], Japan[JJ], Holland[NL], Portugal[P], Great Britain[UK] <b>Technical Specifications:</b> Full Power Version[fp], "DITECH" engine with direct fuel injection[ie]
1	AP3AEA000547	Inlet valve	1	<b>Year:</b> 2001[1] <b>Country:</b> Belgium[B], Germany[D], Denmark[DK], A, B, CH, D, DK, E, F, I, NL, P, UK[EU], Holland[NL] <b>Technical Specifications:</b> Version 25 Kw[25k], "DITECH" engine with direct fuel injection[ie]
1	AP3AEA000547	Inlet valve	1	<b>Year:</b> 2002[2] <b>Country:</b> Austria[A], Australia[AA], Australia[AUS], Belgium[B], Switzerland[CH], Germany[D], Denmark[DK], Spain[E], A, B, CH, D, DK, E, F, I, NL, P, UK[EU], France[F], Italy[I], Japan[J], Japan[JJ], Holland[NL], Portugal[P], Great Britain[UK] <b>Technical Specifications:</b> Full Power Version[fp], "DITECH" engine with direct fuel injection[ie]

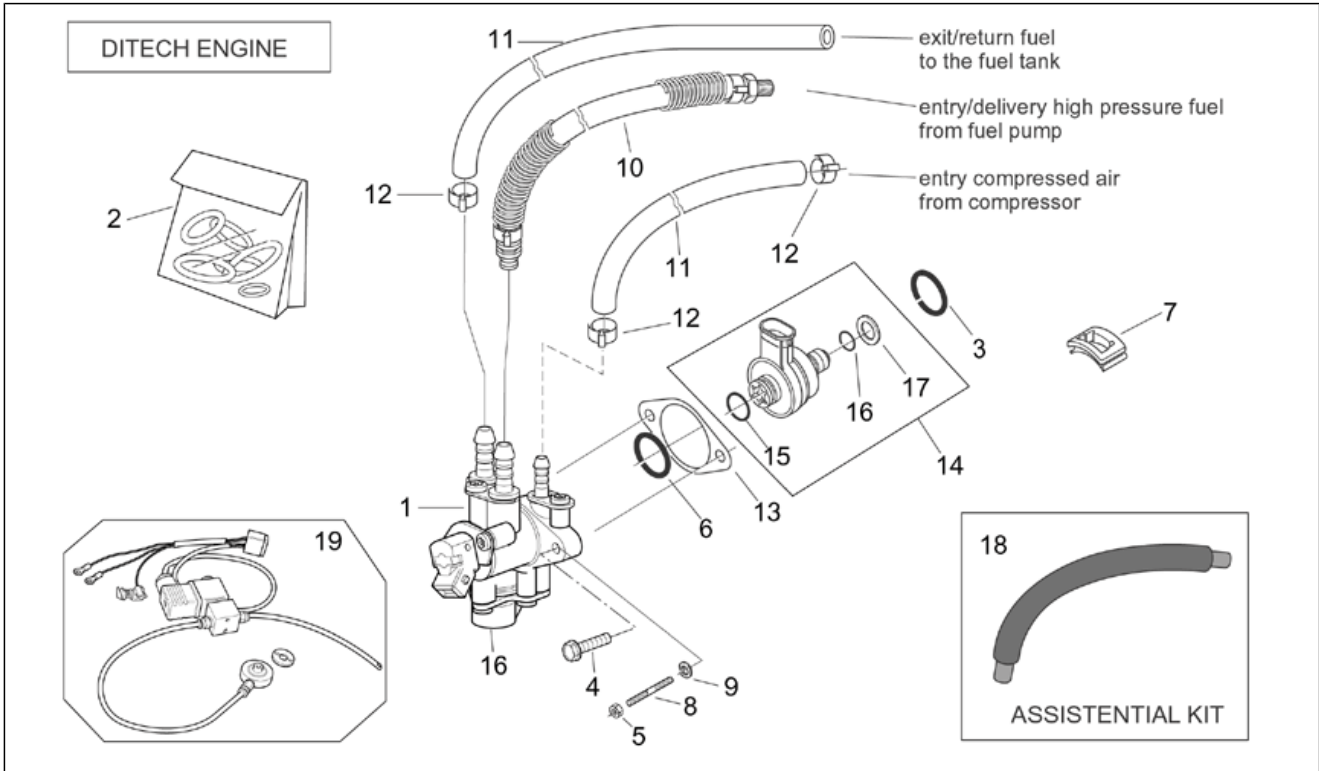
<b>Group</b>	ENGINE
<b>Code</b>	29.56
<b>Description</b>	Injection unit (Ditech)
<b>Service</b>	1



Pos.	Code	Description	Qty	Variants
1	AP3AEA000547	Inlet valve	1	<b>Country:</b> United States of America[AM], Canadian[CA], Canadian[CN], United States of America[USA] <b>Technical Specifications:</b> "DITECH" engine with direct fuel injection[ie]
1	AP3AEA000631	Inlet valve	1	<b>Year:</b> 2002[2] <b>Country:</b> Belgium[B], Germany[D], Denmark[DK], A, B, CH, D, DK, E, F, I, NL, P, UK[EU], Holland[NL] <b>Technical Specifications:</b> Version 25 Kw[25k], "DITECH" engine with direct fuel injection[ie]
1	AP3AEA000631	Inlet valve	1	<b>Technical Specifications:</b> "DITECH" engine with direct fuel injection[ie], Up to engine number ABL011004545[T2]
1	AP3AEA000631	Inlet valve	1	<b>Year:</b> 2001[1] <b>Country:</b> Austria[A], Australia[AA], Australia[AUS], Belgium[B], Switzerland[CH], Germany[D], Denmark[DK], Spain[E], A, B, CH, D, DK, E, F, I, NL, P, UK[EU], France[F], Italy[I], Japan[J], Japan[JJ], Holland[NL], Portugal[P], Great Britain[UK] <b>Technical Specifications:</b> Full Power Version[fp], "DITECH" engine with direct fuel injection[ie]
1	AP3AEA000631	Inlet valve	1	<b>Year:</b> 2001[1] <b>Country:</b> Belgium[B], Germany[D], Denmark[DK], A, B, CH, D, DK, E, F, I, NL, P, UK[EU], Holland[NL] <b>Technical Specifications:</b> Version 25 Kw[25k], "DITECH" engine with direct fuel injection[ie]
1	AP3AEA000631	Inlet valve	1	<b>Year:</b> 2000[Y] <b>Technical Specifications:</b> Full Power Version[fp], "DITECH" engine with direct fuel injection[ie]
2	AP5RZR000232	O-ring kit	1	<b>Technical Specifications:</b> "DITECH" engine with direct fuel injection[ie]
3	AP2EAN000186	O-ring 17x3,5	1	<b>Year:</b> 2001[1] <b>Country:</b> Belgium[B], Germany[D], Denmark[DK], A, B, CH, D, DK, E, F, I, NL, P, UK[EU], Holland[NL] <b>Technical Specifications:</b> Version 25 Kw[25k], "DITECH" engine with direct fuel injection[ie]
3	AP2EAN000186	O-ring 17x3,5	1	<b>Year:</b> 2000[Y]

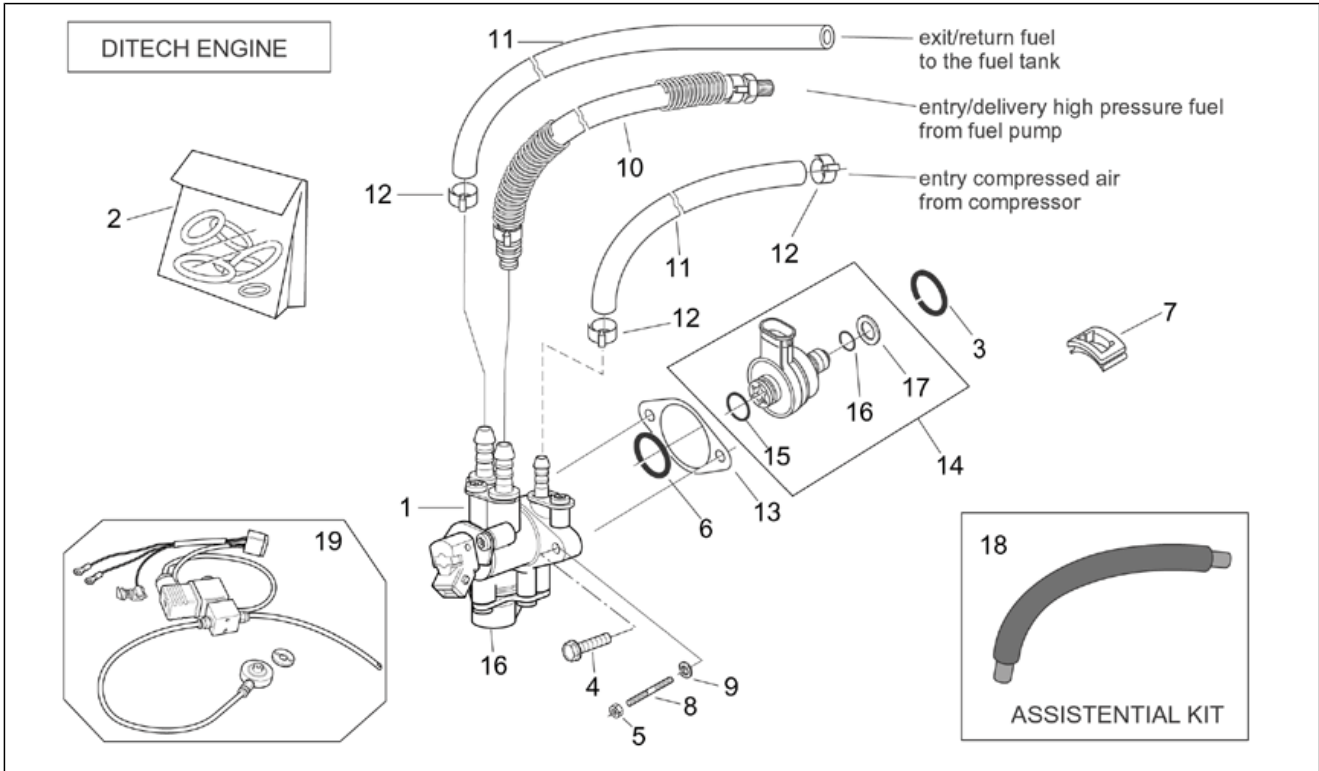


<b>Group</b>	ENGINE
<b>Code</b>	29.56
<b>Description</b>	Injection unit (Ditech)
<b>Service</b>	1



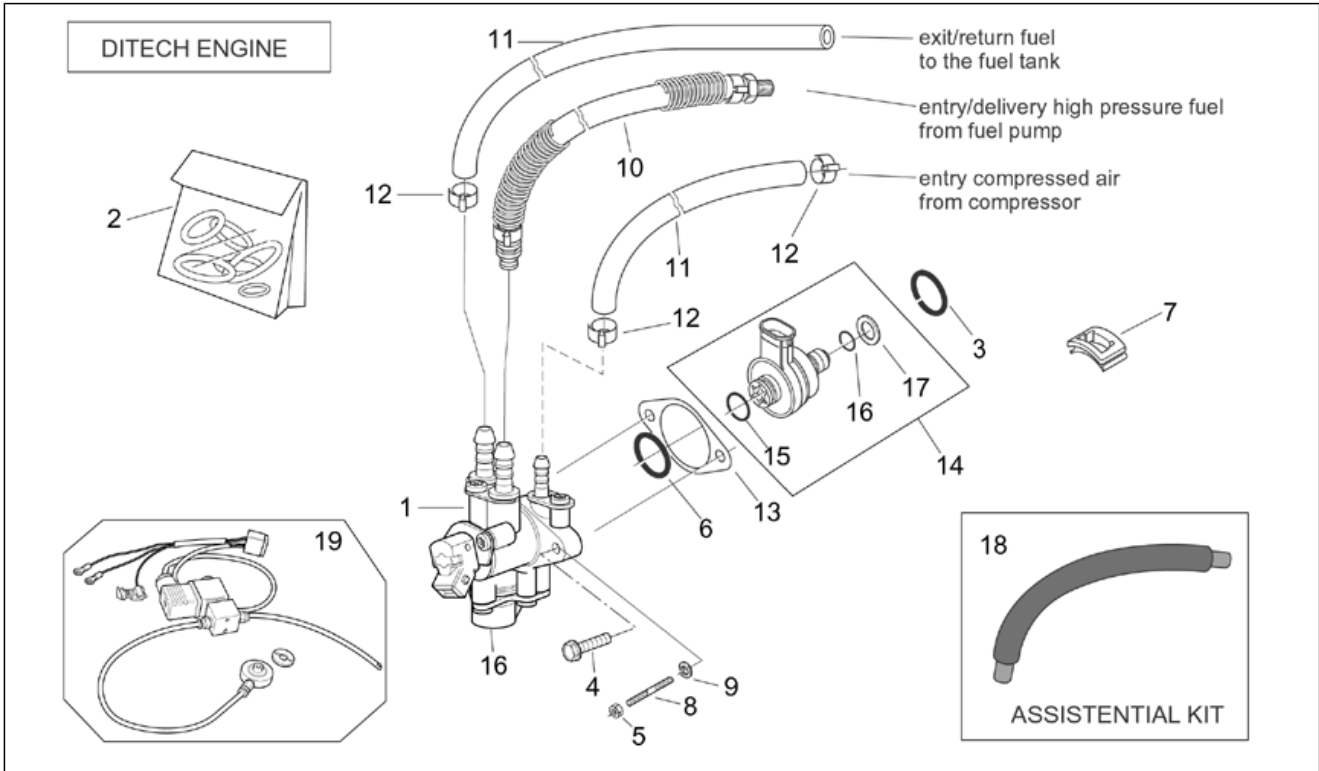
Pos.	Code	Description	Qty	Variants
3	AP2EAN000186	O-ring 17x3,5	1	<b>Technical Specifications:</b> Full Power Version[fp], "DITECH" engine with direct fuel injection[ie] <b>Year:</b> 2002[2] <b>Country:</b> Belgium[B], Germany[D], Denmark[DK], A, B, CH, D, DK, E, F, I, NL, P, UK[EU], Holland[NL] <b>Technical Specifications:</b> Version 25 Kw[25k], "DITECH" engine with direct fuel injection[ie]
3	AP2EAN000186	O-ring 17x3,5	1	<b>Year:</b> 2001[1] <b>Country:</b> Austria[A], Australia[AA], Australia[AUS], Belgium[B], Switzerland[CH], Germany[D], Denmark[DK], Spain[E], A, B, CH, D, DK, E, F, I, NL, P, UK[EU], France[F], Italy[I], Japan[J], Japan[JJ], Holland[NL], Portugal[P], Great Britain[UK] <b>Technical Specifications:</b> Full Power Version[fp], "DITECH" engine with direct fuel injection[ie]
3	AP2EAN000258	O-ring	1	<b>Year:</b> 2000[Y] <b>Technical Specifications:</b> Version 25 Kw[25k], "DITECH" engine with direct fuel injection[ie]
3	AP2EAN000258	O-ring	1	<b>Year:</b> 2001[1] <b>Country:</b> Belgium[B], Germany[D], Denmark[DK], A, B, CH, D, DK, E, F, I, NL, P, UK[EU], Holland[NL] <b>Technical Specifications:</b> Version 25 Kw[25k], "DITECH" engine with direct fuel injection[ie]
3	AP2EAN000258	O-ring	1	<b>Year:</b> 2002[2] <b>Country:</b> Austria[A], Australia[AA], Australia[AUS], Belgium[B], Switzerland[CH], Germany[D], Denmark[DK], Spain[E], A, B, CH, D, DK, E, F, I, NL, P, UK[EU], France[F], Italy[I], Japan[J], Japan[JJ], Holland[NL], Portugal[P], Great Britain[UK] <b>Technical Specifications:</b> Full Power Version[fp], "DITECH" engine with direct fuel injection[ie]
3	AP2EAN000258	O-ring	1	<b>Year:</b> 2000[Y] <b>Technical Specifications:</b> Full Power Version[fp], "DITECH" engine with direct fuel injection[ie]
3	AP2EAN000258	O-ring	1	<b>Year:</b> 2001[1]

<b>Group</b>	ENGINE
<b>Code</b>	29.56
<b>Description</b>	Injection unit (Ditech)
<b>Service</b>	1



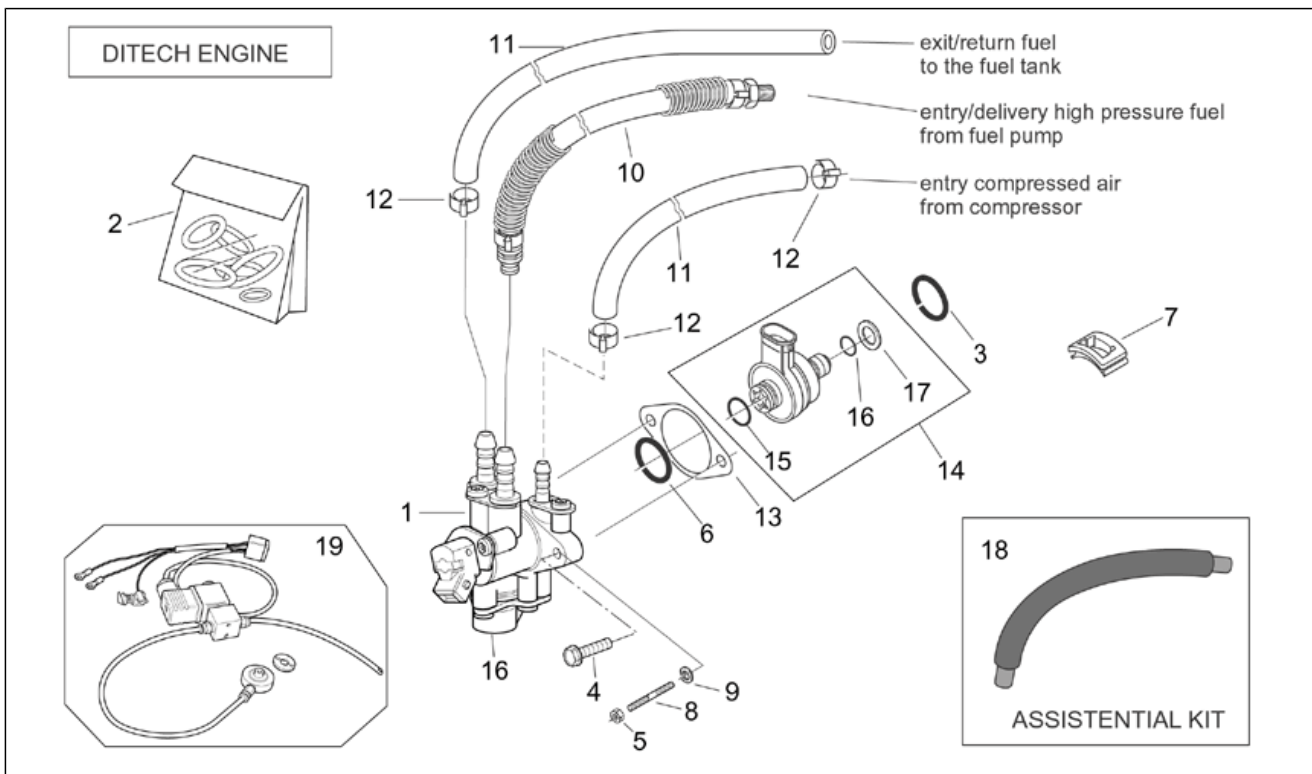
Pos.	Code	Description	Qty	Variants
				<b>Country:</b> Austria[A], Australia[AA], Australia[AUS], Belgium[B], Switzerland[CH], Germany[D], Denmark[DK], Spain[E], A, B, CH, D, DK, E, F, I, NL, P, UK[EU], France[F], Italy[I], Japan[J], Japan[JJ], Holland[NL], Portugal[P], Great Britain[UK] <b>Technical Specifications:</b> Full Power Version[fp], "DITECH" engine with direct fuel injection[ie]
3	AP2EAN000258	O-ring	1	<b>Year:</b> 2002[2] <b>Country:</b> Belgium[B], Germany[D], Denmark[DK], A, B, CH, D, DK, E, F, I, NL, P, UK[EU], Holland[NL] <b>Technical Specifications:</b> Version 25 Kw[25k], "DITECH" engine with direct fuel injection[ie]
3	AP2EAN000258	O-ring	1	<b>Country:</b> United States of America[AM], Canadian[CA], Canadian[CN], United States of America[USA] <b>Technical Specifications:</b> "DITECH" engine with direct fuel injection[ie]
4	AP2AVN000256	screw	2	<b>Technical Specifications:</b> "DITECH" engine with direct fuel injection[ie]
5	AP4BEN000223	Nut m5	2	<b>Technical Specifications:</b> "DITECH" engine with direct fuel injection[ie], Up to engine number ABL011004545[T2]
6	AP2EAN000186	O-ring 17x3,5	1	<b>Year:</b> 2002[2] <b>Country:</b> Belgium[B], Germany[D], Denmark[DK], A, B, CH, D, DK, E, F, I, NL, P, UK[EU], Holland[NL] <b>Technical Specifications:</b> Version 25 Kw[25k], "DITECH" engine with direct fuel injection[ie]
6	AP2EAN000186	O-ring 17x3,5	1	<b>Year:</b> 2001[1] <b>Country:</b> Belgium[B], Germany[D], Denmark[DK], A, B, CH, D, DK, E, F, I, NL, P, UK[EU], Holland[NL] <b>Technical Specifications:</b> Version 25 Kw[25k], "DITECH" engine with direct fuel injection[ie]
6	AP2EAN000186	O-ring 17x3,5	1	<b>Year:</b> 2001[1] <b>Country:</b> Austria[A], Australia[AA], Australia[AUS], Belgium[B], Switzerland[CH], Germany[D], Denmark[DK], Spain[E], A, B, CH, D, DK, E, F, I, NL, P, UK[EU], France[F],

<b>Group</b>	ENGINE
<b>Code</b>	29.56
<b>Description</b>	Injection unit (Ditech)
<b>Service</b>	1



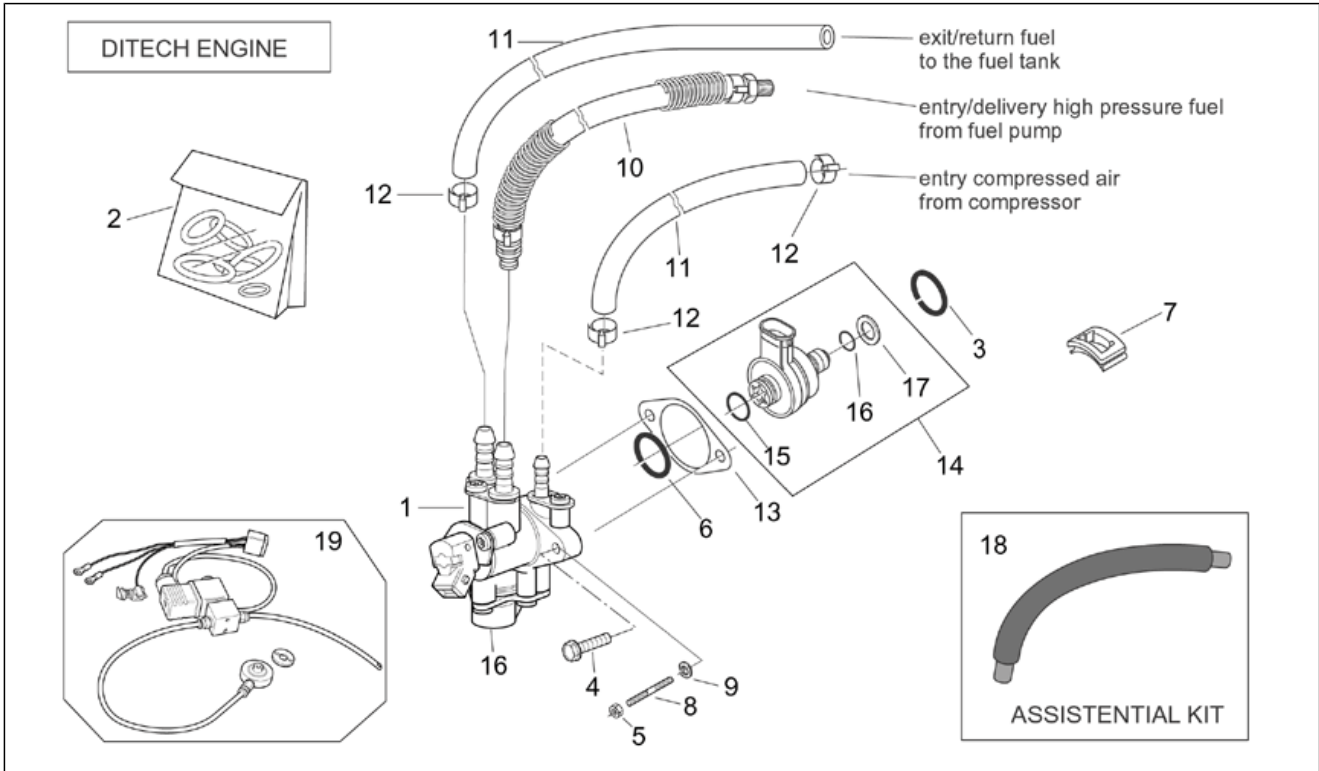
Pos.	Code	Description	Qty	Variants
				Italy[I], Japan[J], Japan[JJ], Holland[NL], Portugal[P], Great Britain[UK] <b>Technical Specifications:</b> Full Power Version[fp], "DITECH" engine with direct fuel injection[ie]
6	AP2EAN000186	O-ring 17x3,5	1	<b>Year:</b> 2000[Y] <b>Technical Specifications:</b> Full Power Version[fp], "DITECH" engine with direct fuel injection[ie]
6	AP2EAN000257	O-ring	1	<b>Year:</b> 2001[1] <b>Country:</b> Belgium[B], Germany[D], Denmark[DK], A, B, CH, D, DK, E, F, I, NL, P, UK[EU], Holland[NL] <b>Technical Specifications:</b> Version 25 Kw[25k], "DITECH" engine with direct fuel injection[ie]
6	AP2EAN000257	O-ring	1	<b>Year:</b> 2002[2] <b>Country:</b> Belgium[B], Germany[D], Denmark[DK], A, B, CH, D, DK, E, F, I, NL, P, UK[EU], Holland[NL] <b>Technical Specifications:</b> Version 25 Kw[25k], "DITECH" engine with direct fuel injection[ie]
6	AP2EAN000257	O-ring	1	<b>Year:</b> 2000[Y] <b>Technical Specifications:</b> Full Power Version[fp], "DITECH" engine with direct fuel injection[ie]
6	AP2EAN000257	O-ring	1	<b>Country:</b> United States of America[AM], Canadian[CA], Canadian[CN], United States of America[USA] <b>Technical Specifications:</b> "DITECH" engine with direct fuel injection[ie]
6	AP2EAN000257	O-ring	1	<b>Year:</b> 2000[Y] <b>Technical Specifications:</b> Version 25 Kw[25k], "DITECH" engine with direct fuel injection[ie]
6	AP2EAN000257	O-ring	1	<b>Year:</b> 2002[2] <b>Country:</b> Austria[A], Australia[AA], Australia[AUS], Belgium[B], Switzerland[CH], Germany[D], Denmark[DK], Spain[E], A, B, CH, D, DK, E, F, I, NL, P, UK[EU], France[F], Italy[I], Japan[J], Japan[JJ], Holland[NL], Portugal[P], Great Britain[UK] <b>Technical Specifications:</b> Full Power Version[fp], "DITECH" engine with direct fuel injection[ie]

<b>Group</b>	ENGINE
<b>Code</b>	29.56
<b>Description</b>	Injection unit (Ditech)
<b>Service</b>	1



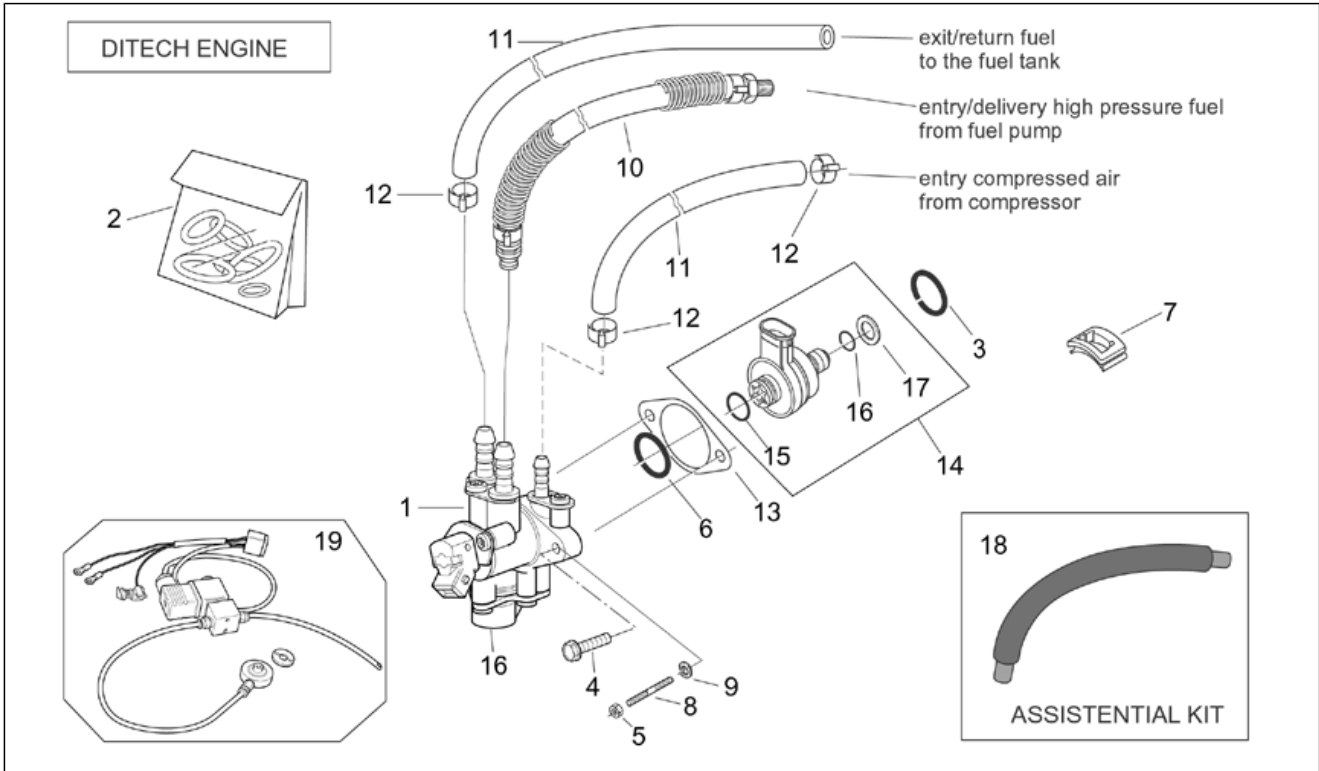
Pos.	Code	Description	Qty	Variants
6	AP2EAN000257	O-ring	1	<b>Year:</b> 2001[1] <b>Country:</b> Austria[A], Australia[AA], Australia[AUS], Belgium[B], Switzerland[CH], Germany[D], Denmark[DK], Spain[E], A, B, CH, D, DK, E, F, I, NL, P, UK[EU], France[F], Italy[I], Japan[J], Japan[J], Holland[NL], Portugal[P], Great Britain[UK] <b>Technical Specifications:</b> Full Power Version[fp], "DITECH" engine with direct fuel injection[ie]
7	AP3AVN000199	Lockup rubber	1	<b>Year:</b> 2001[1] <b>Country:</b> Austria[A], Australia[AA], Australia[AUS], Belgium[B], Switzerland[CH], Germany[D], Denmark[DK], Spain[E], A, B, CH, D, DK, E, F, I, NL, P, UK[EU], France[F], Italy[I], Japan[J], Japan[J], Holland[NL], Portugal[P], Great Britain[UK] <b>Technical Specifications:</b> Full Power Version[fp], "DITECH" engine with direct fuel injection[ie]
7	AP3AVN000199	Lockup rubber	1	<b>Year:</b> 2002[2] <b>Country:</b> Belgium[B], Germany[D], Denmark[DK], A, B, CH, D, DK, E, F, I, NL, P, UK[EU], Holland[NL] <b>Technical Specifications:</b> Version 25 Kw[25k], "DITECH" engine with direct fuel injection[ie]
7	AP3AVN000199	Lockup rubber	1	<b>Year:</b> 2000[Y] <b>Technical Specifications:</b> Full Power Version[fp], "DITECH" engine with direct fuel injection[ie]
7	AP3AVN000199	Lockup rubber	1	<b>Year:</b> 2001[1] <b>Country:</b> Belgium[B], Germany[D], Denmark[DK], A, B, CH, D, DK, E, F, I, NL, P, UK[EU], Holland[NL] <b>Technical Specifications:</b> Version 25 Kw[25k], "DITECH" engine with direct fuel injection[ie]
7	AP3AVN000245	Lockup rubber	1	<b>Year:</b> 2002[2] <b>Country:</b> Austria[A], Australia[AA], Australia[AUS], Belgium[B], Switzerland[CH], Germany[D], Denmark[DK], Spain[E], A, B, CH, D, DK, E, F, I, NL, P, UK[EU], France[F], Italy[I], Japan[J], Japan[J], Holland[NL], Portugal[P], Great Britain[UK]

<b>Group</b>	ENGINE
<b>Code</b>	29.56
<b>Description</b>	Injection unit (Ditech)
<b>Service</b>	1



Pos.	Code	Description	Qty	Variants
				<b>Technical Specifications:</b> Full Power Version[fp], "DITECH" engine with direct fuel injection[ie]
7	AP3AVN000245	Lockup rubber	1	<b>Country:</b> United States of America[AM], Canadian[CA], Canadian[CN], United States of America[USA] <b>Technical Specifications:</b> "DITECH" engine with direct fuel injection[ie]
7	AP3AVN000245	Lockup rubber	1	<b>Year:</b> 2001[1] <b>Country:</b> Belgium[B], Germany[D], Denmark[DK], A, B, CH, D, DK, E, F, I, NL, P, UK[EU], Holland[NL] <b>Technical Specifications:</b> Version 25 Kw[25k], "DITECH" engine with direct fuel injection[ie]
7	AP3AVN000245	Lockup rubber	1	<b>Year:</b> 2002[2] <b>Country:</b> Belgium[B], Germany[D], Denmark[DK], A, B, CH, D, DK, E, F, I, NL, P, UK[EU], Holland[NL] <b>Technical Specifications:</b> Version 25 Kw[25k], "DITECH" engine with direct fuel injection[ie]
7	AP3AVN000245	Lockup rubber	1	<b>Year:</b> 2000[Y] <b>Technical Specifications:</b> Full Power Version[fp], "DITECH" engine with direct fuel injection[ie]
7	AP3AVN000245	Lockup rubber	1	<b>Year:</b> 2000[Y] <b>Technical Specifications:</b> Version 25 Kw[25k], "DITECH" engine with direct fuel injection[ie]
7	AP3AVN000245	Lockup rubber	1	<b>Year:</b> 2001[1] <b>Country:</b> Austria[A], Australia[AA], Australia[AUS], Belgium[B], Switzerland[CH], Germany[D], Denmark[DK], Spain[E], A, B, CH, D, DK, E, F, I, NL, P, UK[EU], France[F], Italy[I], Japan[J], Japan[J], Holland[NL], Portugal[P], Great Britain[UK] <b>Technical Specifications:</b> Full Power Version[fp], "DITECH" engine with direct fuel injection[ie]
8	AP4BAN000222	Stud bolt	2	<b>Technical Specifications:</b> "DITECH" engine with direct fuel injection[ie], Up to engine number ABL011004545[T2]
9	AP4DFN000032	Washer	2	<b>Technical Specifications:</b> "DITECH" engine with direct fuel injection[ie], Up to engine number ABL011004545[T2]

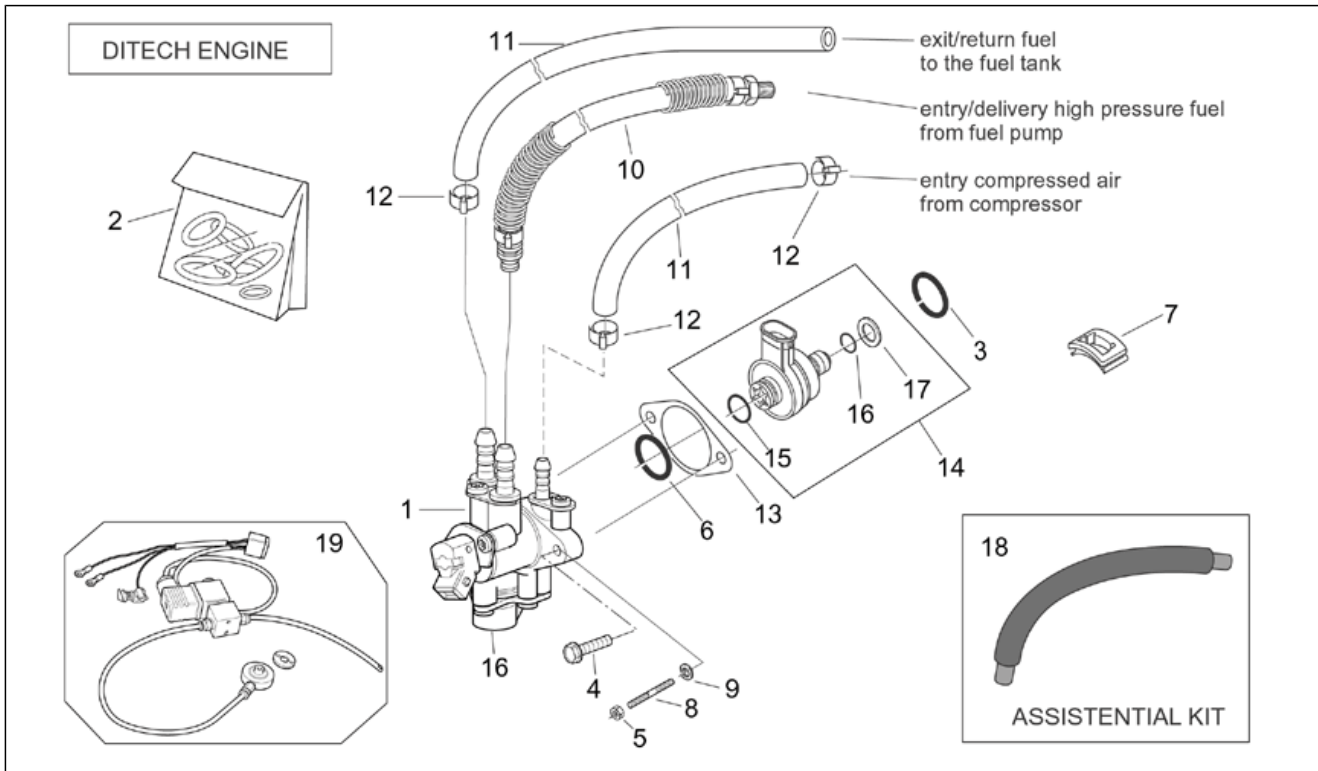
<b>Group</b>	ENGINE
<b>Code</b>	29.56
<b>Description</b>	Injection unit (Ditech)
<b>Service</b>	1



Pos.	Code	Description	Qty	Variants
10	AP5RAR000102	High pressure pipe cpl.	1	<b>Technical Specifications:</b> "DITECH" engine with direct fuel injection[ie]
11	AP2AAN000212	High pressure pipe	1	<b>Technical Specifications:</b> "DITECH" engine with direct fuel injection[ie]
12	AP2FDN000200	Hose clamp	3	<b>Technical Specifications:</b> "DITECH" engine with direct fuel injection[ie]
13	AP3AVA000438	Paper gasket	1	<b>Technical Specifications:</b> "DITECH" engine with direct fuel injection[ie]
14	AP3AGA000137	Air injector	1	<b>Year:</b> 2002[2] <b>Country:</b> Belgium[B], Germany[D], Denmark[DK], A, B, CH, D, DK, E, F, I, NL, P, UK[EU], Holland[NL] <b>Technical Specifications:</b> Version 25 Kw[25k], "DITECH" engine with direct fuel injection[ie]
14	AP3AGA000137	Air injector	1	<b>Year:</b> 2001[1] <b>Country:</b> Austria[A], Australia[AA], Australia[AUS], Belgium[B], Switzerland[CH], Germany[D], Denmark[DK], Spain[E], A, B, CH, D, DK, E, F, I, NL, P, UK[EU], France[F], Italy[I], Japan[J], Japan[J], Holland[NL], Portugal[P], Great Britain[UK] <b>Technical Specifications:</b> Full Power Version[fp], "DITECH" engine with direct fuel injection[ie]
14	AP3AGA000137	Air injector	1	<b>Year:</b> 2000[Y] <b>Technical Specifications:</b> Full Power Version[fp], "DITECH" engine with direct fuel injection[ie]
14	AP3AGA000137	Air injector	1	<b>Year:</b> 2001[1] <b>Country:</b> Belgium[B], Germany[D], Denmark[DK], A, B, CH, D, DK, E, F, I, NL, P, UK[EU], Holland[NL] <b>Technical Specifications:</b> Version 25 Kw[25k], "DITECH" engine with direct fuel injection[ie]
14	AP3AGA000614	Air injector	1	<b>Year:</b> 2001[1] <b>Country:</b> Belgium[B], Germany[D], Denmark[DK], A, B, CH, D, DK, E, F, I, NL, P, UK[EU], Holland[NL] <b>Technical Specifications:</b> Version 25 Kw[25k], "DITECH" engine with direct fuel injection[ie]



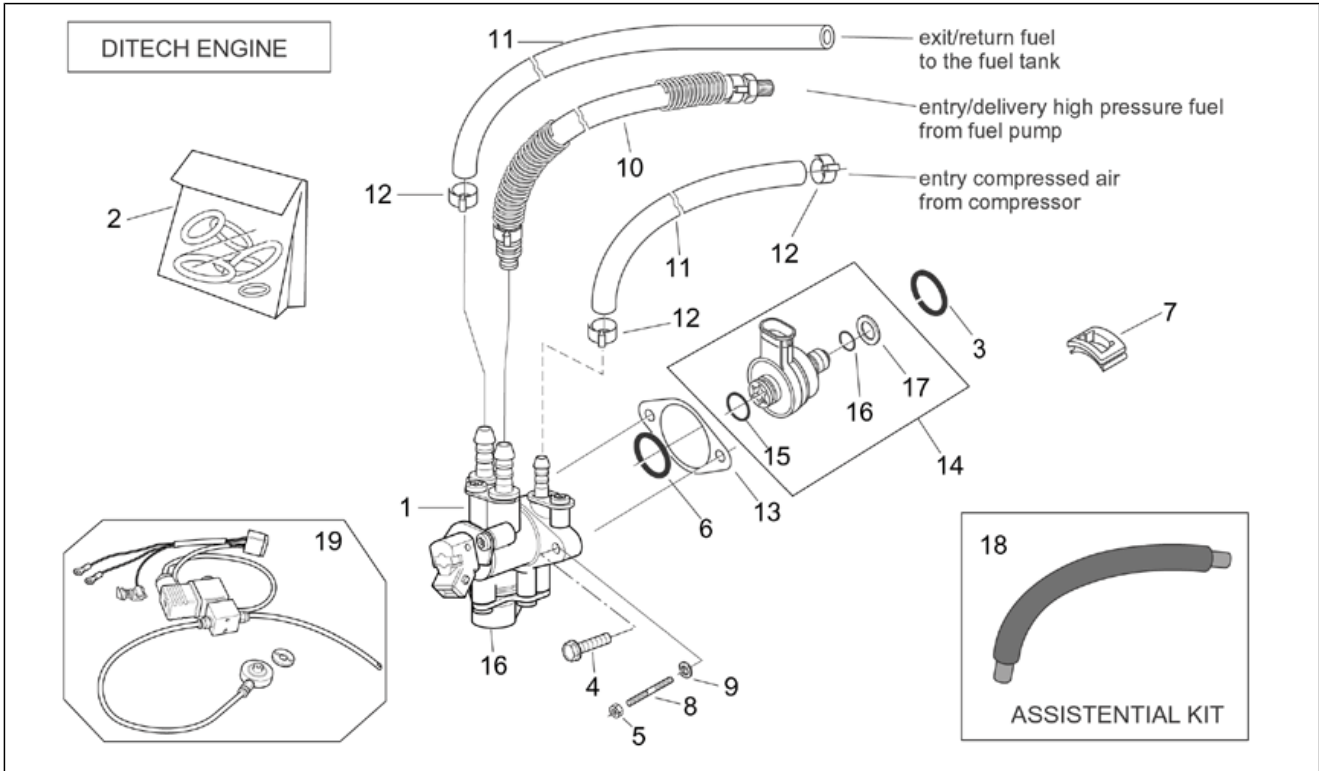
<b>Group</b>	ENGINE
<b>Code</b>	29.56
<b>Description</b>	Injection unit (Ditech)
<b>Service</b>	1



Pos.	Code	Description	Qty	Variants
14	AP3AGA000614	Air injector	1	<b>Year:</b> 2002[2] <b>Country:</b> Belgium[B], Germany[D], Denmark[DK], A, B, CH, D, DK, E, F, I, NL, P, UK[EU], Holland[NL] <b>Technical Specifications:</b> Version 25 Kw[25k], "DITECH" engine with direct fuel injection[ie]
14	AP3AGA000614	Air injector	1	<b>Year:</b> 2000[Y] <b>Technical Specifications:</b> Full Power Version[fp], "DITECH" engine with direct fuel injection[ie]
14	AP3AGA000614	Air injector	1	<b>Year:</b> 2001[1] <b>Country:</b> Austria[A], Australia[AA], Australia[AUS], Belgium[B], Switzerland[CH], Germany[D], Denmark[DK], Spain[E], A, B, CH, D, DK, E, F, I, NL, P, UK[EU], France[F], Italy[I], Japan[J], Japan[J], Holland[NL], Portugal[P], Great Britain[UK] <b>Technical Specifications:</b> Full Power Version[fp], "DITECH" engine with direct fuel injection[ie]
14	AP3AGA000614	Air injector	1	<b>Year:</b> 2000[Y] <b>Technical Specifications:</b> Version 25 Kw[25k], "DITECH" engine with direct fuel injection[ie]
14	AP3AGA000614	Air injector	1	<b>Year:</b> 2002[2] <b>Country:</b> Austria[A], Australia[AA], Australia[AUS], Belgium[B], Switzerland[CH], Germany[D], Denmark[DK], Spain[E], A, B, CH, D, DK, E, F, I, NL, P, UK[EU], France[F], Italy[I], Japan[J], Japan[J], Holland[NL], Portugal[P], Great Britain[UK] <b>Technical Specifications:</b> Full Power Version[fp], "DITECH" engine with direct fuel injection[ie]
14	AP3AGA000614	Air injector	1	<b>Country:</b> United States of America[AM], Canadian[CA], Canadian[CN], United States of America[USA] <b>Technical Specifications:</b> "DITECH" engine with direct fuel injection[ie]
15	AP5RAR000109	Upper O-ring	1	<b>Technical Specifications:</b> "DITECH" engine with direct fuel injection[ie]
16	AP5RAR000108	Lower O-ring	1	<b>Technical Specifications:</b> "DITECH" engine with direct fuel injection[ie]

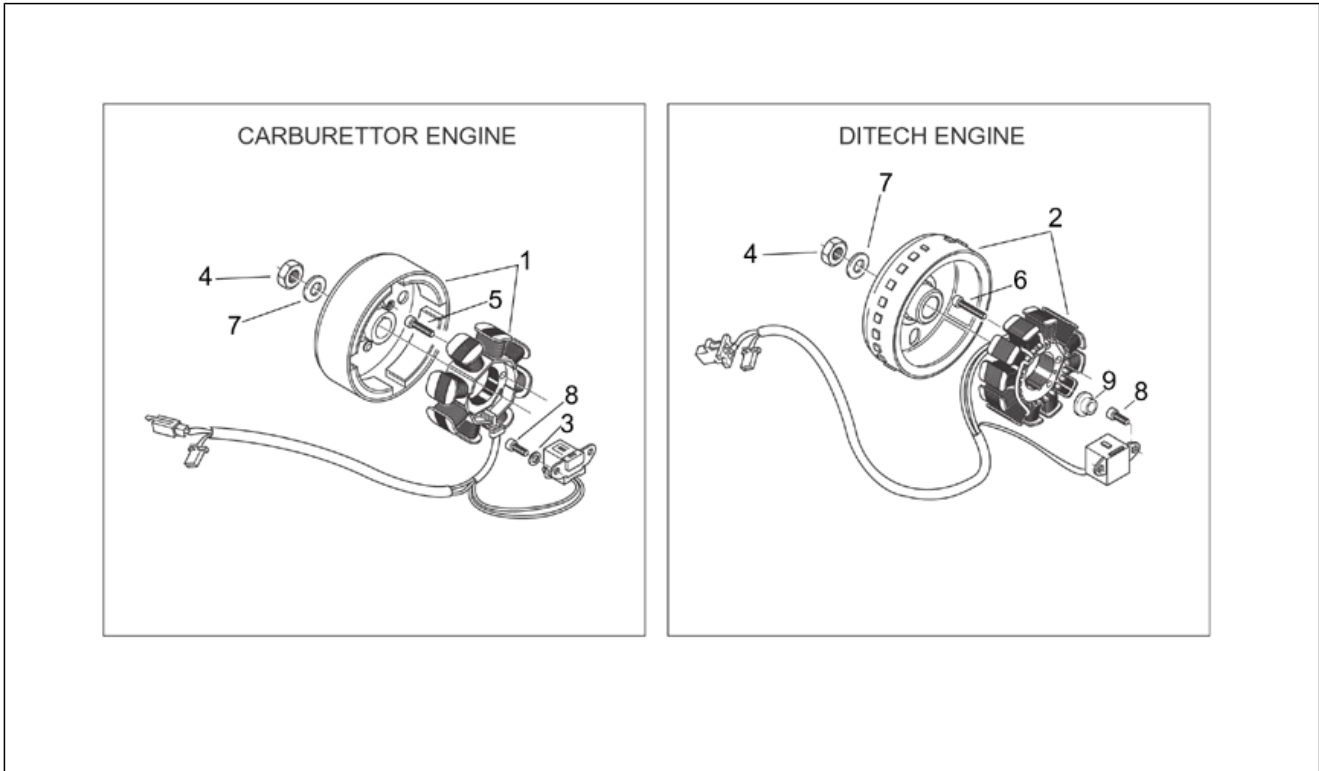


<b>Group</b>	ENGINE
<b>Code</b>	29.56
<b>Description</b>	Injection unit (Ditech)
<b>Service</b>	1



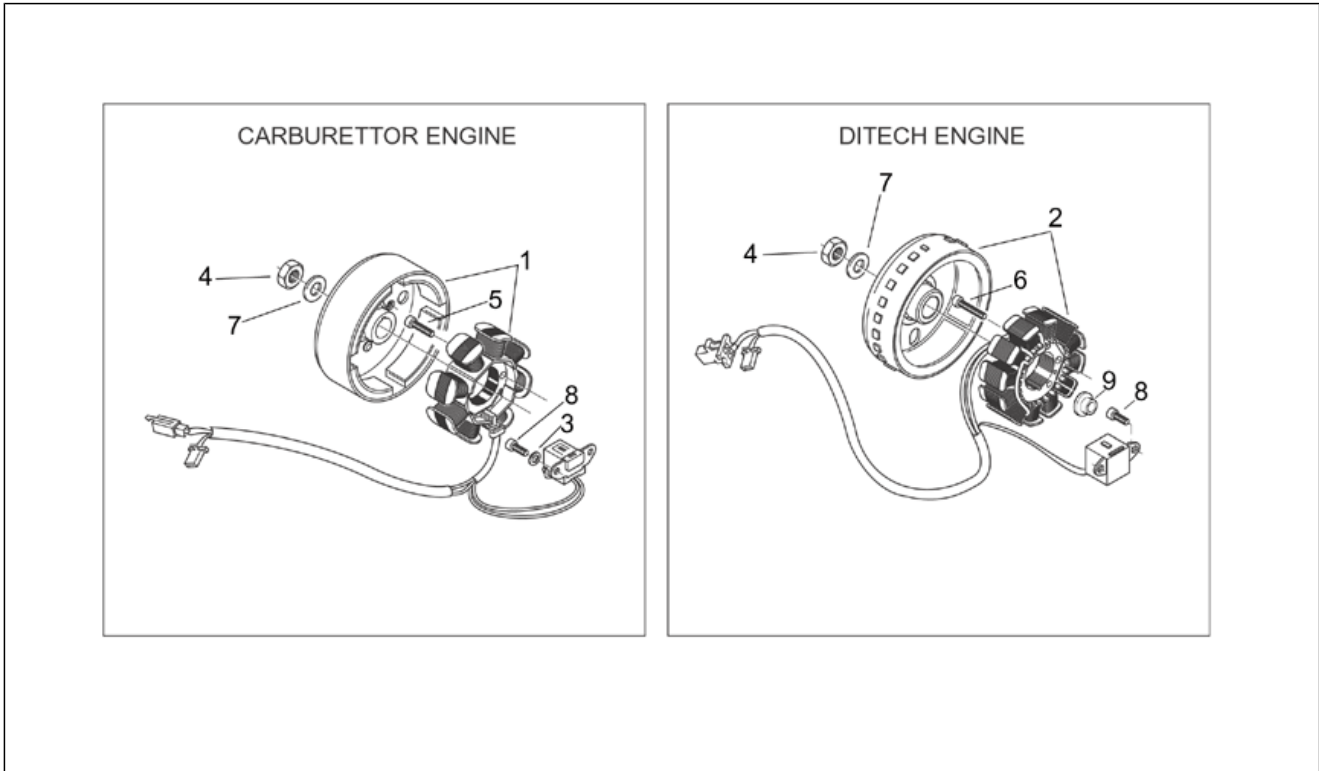
Pos.	Code	Description	Qty	Variants
17	AP5RAR000110	Teflon ring	1	<b>Technical Specifications:</b> "DITECH" engine with direct fuel injection[ie]
18	AP8220711	Insulated pipe	1	
19	AP8276090	Emulsion bleed valve kit	1	

<b>Group</b>	ENGINE
<b>Code</b>	29.57
<b>Description</b>	Flywheel
<b>Service</b>	1



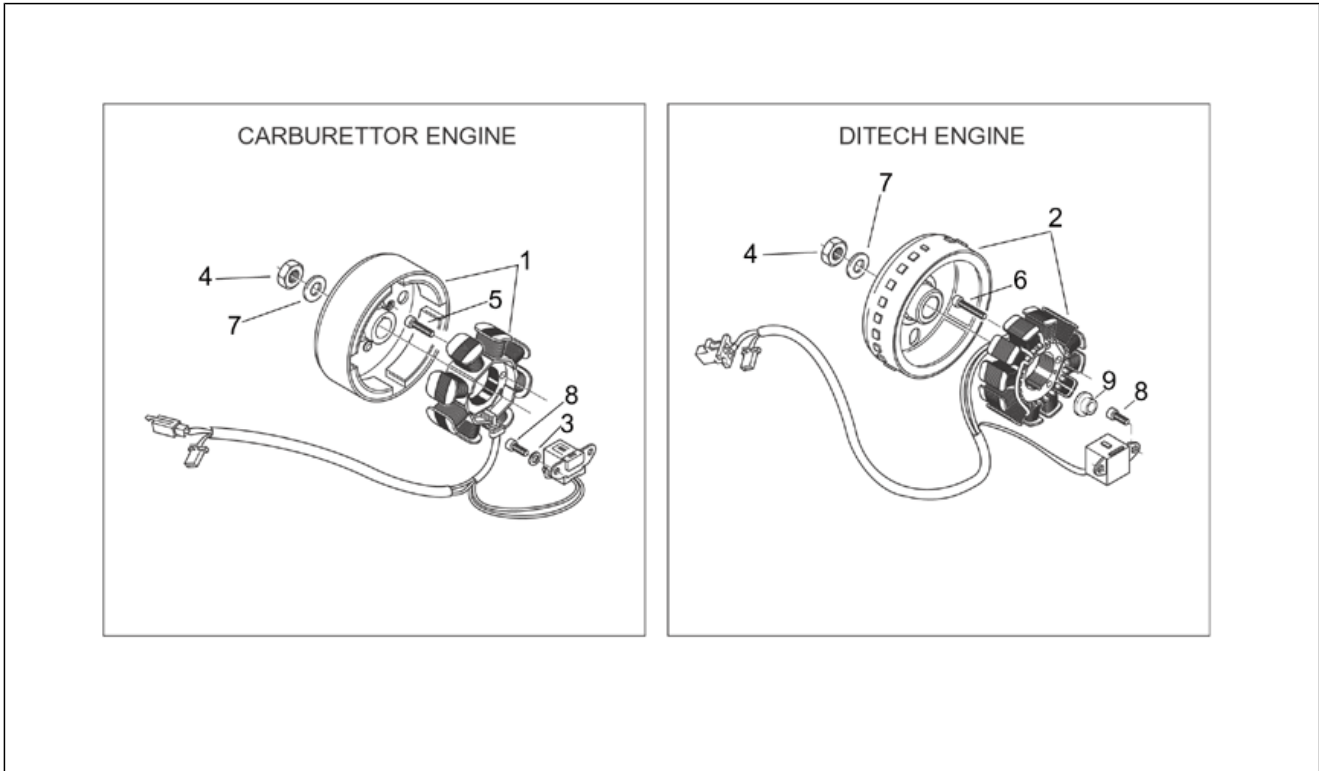
Pos.	Code	Description	Qty	Variants
1	AP5RSR000123	Flywheel cpl.	1	<b>Technical Specifications:</b> Engine with carburettor[carb], Mark KOKUSAN[KO]
1	AP5RSR000124	Flywheel cpl.	1	<b>Technical Specifications:</b> Mark A.E.T.[AET], Engine with carburettor[carb]
2	AP2RBA000075	Flywheel cpl.	1	<b>Year:</b> 2001[1] <b>Country:</b> Austria[A], Australia[AA], Australia[AUS], Belgium[B], Switzerland[CH], Germany[D], Denmark[DK], Spain[E], A, B, CH, D, DK, E, F, I, NL, P, UK[EU], France[F], Italy[I], Japan[J], Japan[JJ], Holland[NL], Portugal[P], Great Britain[UK] <b>Technical Specifications:</b> Full Power Version[fp], "DITECH" engine with direct fuel injection[ie]
2	AP2RBA000075	Flywheel cpl.	1	<b>Year:</b> 2002[2] <b>Country:</b> Belgium[B], Germany[D], Denmark[DK], A, B, CH, D, DK, E, F, I, NL, P, UK[EU], Holland[NL] <b>Technical Specifications:</b> Version 25 Kw[25k], "DITECH" engine with direct fuel injection[ie]
2	AP2RBA000075	Flywheel cpl.	1	<b>Year:</b> 2001[1] <b>Country:</b> Belgium[B], Germany[D], Denmark[DK], A, B, CH, D, DK, E, F, I, NL, P, UK[EU], Holland[NL] <b>Technical Specifications:</b> Version 25 Kw[25k], "DITECH" engine with direct fuel injection[ie]
2	AP2RBA000075	Flywheel cpl.	1	<b>Year:</b> 2000[Y] <b>Technical Specifications:</b> Full Power Version[fp], "DITECH" engine with direct fuel injection[ie]
2	AP2RBA000075	Flywheel cpl.	1	<b>Year:</b> 2000[Y] <b>Technical Specifications:</b> Version 25 Kw[25k], Mark DUCATI ENERGIA[D], "DITECH" engine with direct fuel injection[ie]
2	AP2RBA000075	Flywheel cpl.	1	<b>Year:</b> 2002[2] <b>Country:</b> Austria[A], Australia[AA], Australia[AUS], Belgium[B], Switzerland[CH], Germany[D], Denmark[DK], Spain[E], A, B, CH, D, DK, E, F, I, NL, P, UK[EU], France[F], Italy[I], Japan[J], Japan[JJ], Holland[NL], Portugal[P], Great Britain[UK]

<b>Group</b>	ENGINE
<b>Code</b>	29.57
<b>Description</b>	Flywheel
<b>Service</b>	1



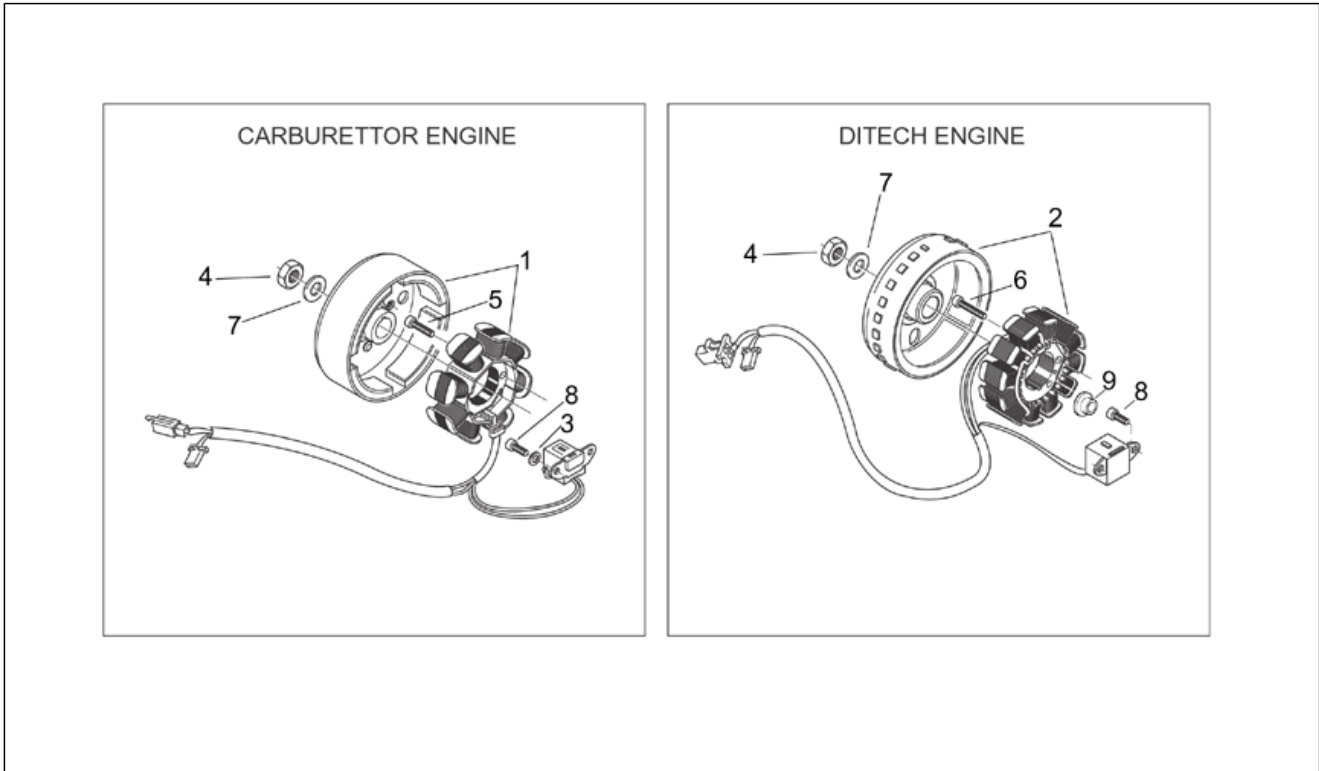
Pos.	Code	Description	Qty	Variants
				<b>Technical Specifications:</b> Full Power Version[fp], "DITECH" engine with direct fuel injection[ie]
2	AP2RBA000075	Flywheel cpl.	1	<b>Year:</b> 2001[1] <b>Country:</b> United States of America[AM], United States of America[USA] <b>Technical Specifications:</b> "DITECH" engine with direct fuel injection[ie]
2	AP2RBA000075	Flywheel cpl.	1	<b>Year:</b> 2002[2] <b>Country:</b> United States of America[AM], United States of America[USA] <b>Technical Specifications:</b> "DITECH" engine with direct fuel injection[ie]
2	AP5RSR000227	Flywheel cpl.	1	<b>Year:</b> 2002[2] <b>Country:</b> United States of America[AM], United States of America[USA] <b>Technical Specifications:</b> "DITECH" engine with direct fuel injection[ie], Mark MITSUBA[M]
2	AP5RSR000227	Flywheel cpl.	1	<b>Year:</b> 2002[2] <b>Country:</b> Austria[A], Australia[AA], Australia[AUS], Belgium[B], Switzerland[CH], Germany[D], Denmark[DK], Spain[E], A, B, CH, D, DK, E, F, I, NL, P, UK[EU], France[F], Italy[I], Japan[J], Japan[JJ], Holland[NL], Portugal[P], Great Britain[UK] <b>Technical Specifications:</b> Full Power Version[fp], "DITECH" engine with direct fuel injection[ie], Mark MITSUBA[M]
2	AP5RSR000227	Flywheel cpl.	1	<b>Year:</b> 2003[3], 2004[4] <b>Country:</b> United States of America[AM], Canadian[CA], Canadian[CN], United States of America[USA] <b>Technical Specifications:</b> "DITECH" engine with direct fuel injection[ie], Mark MITSUBA[M]
2	AP5RSR000227	Flywheel cpl.	1	<b>Year:</b> 2002[2] <b>Country:</b> Belgium[B], Germany[D], Denmark[DK], A, B, CH, D, DK, E, F, I, NL, P, UK[EU], Holland[NL] <b>Technical Specifications:</b> Version 25 Kw[25k], "DITECH" engine with direct fuel injection[ie], Mark MITSUBA[M]

<b>Group</b>	ENGINE
<b>Code</b>	29.57
<b>Description</b>	Flywheel
<b>Service</b>	1



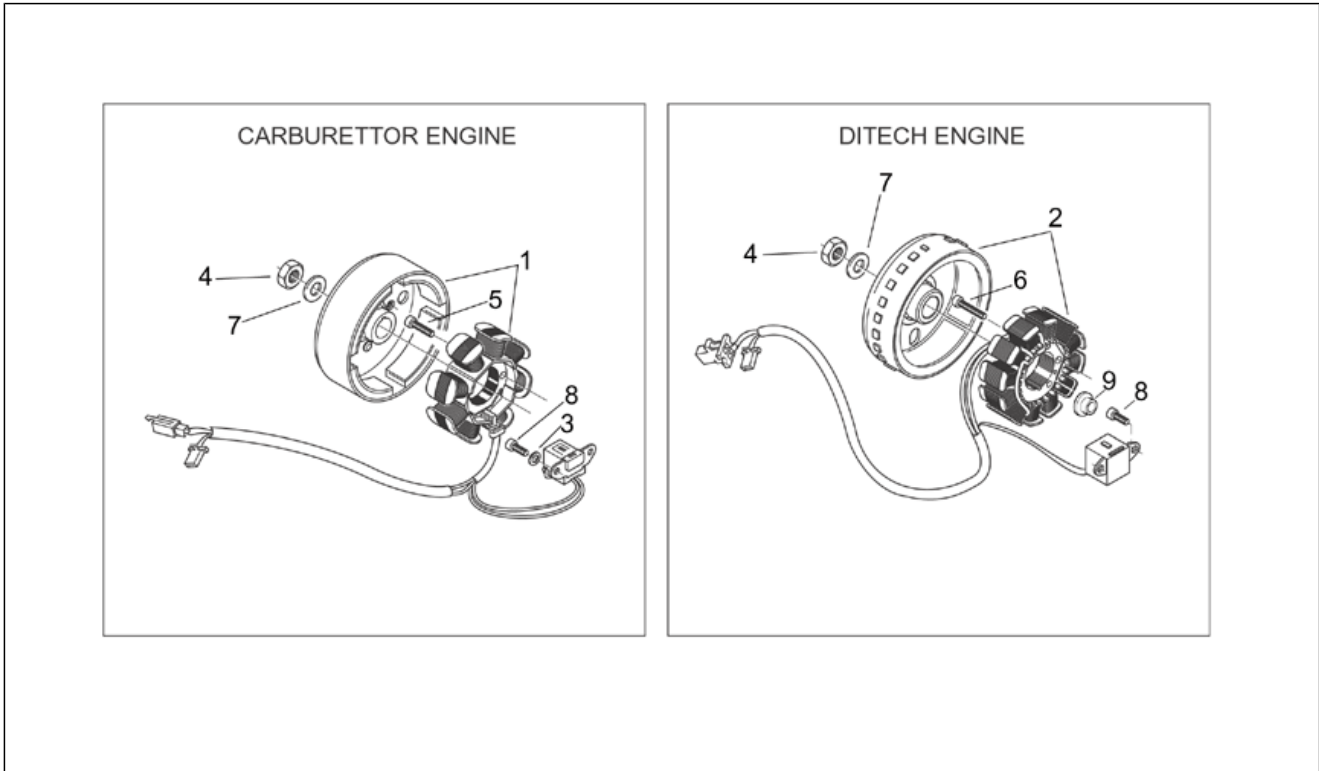
Pos.	Code	Description	Qty	Variants
2	AP5RSR000227	Flywheel cpl.	1	<b>Year:</b> 2001[1] <b>Country:</b> Austria[A], Australia[AA], Australia[AUS], Belgium[B], Switzerland[CH], Germany[D], Denmark[DK], Spain[E], A, B, CH, D, DK, E, F, I, NL, P, UK[EU], France[F], Italy[I], Japan[J], Japan[JJ], Holland[NL], Portugal[P], Great Britain[UK] <b>Technical Specifications:</b> Full Power Version[fp], "DITECH" engine with direct fuel injection[ie], Mark MITSUBA[M]
2	AP5RSR000227	Flywheel cpl.	1	<b>Year:</b> 2001[1] <b>Country:</b> Belgium[B], Germany[D], Denmark[DK], A, B, CH, D, DK, E, F, I, NL, P, UK[EU], Holland[NL] <b>Technical Specifications:</b> Version 25 Kw[25k], "DITECH" engine with direct fuel injection[ie], Mark MITSUBA[M]
2	AP5RSR000227	Flywheel cpl.	1	<b>Year:</b> 2000[Y] <b>Technical Specifications:</b> Version 25 Kw[25k], "DITECH" engine with direct fuel injection[ie], Mark MITSUBA[M]
2	AP5RSR000227	Flywheel cpl.	1	<b>Year:</b> 2000[Y] <b>Technical Specifications:</b> Full Power Version[fp], "DITECH" engine with direct fuel injection[ie], Mark MITSUBA[M]
2	AP5RSR000227	Flywheel cpl.	1	<b>Year:</b> 2001[1] <b>Country:</b> United States of America[AM], United States of America[USA] <b>Technical Specifications:</b> "DITECH" engine with direct fuel injection[ie], Mark MITSUBA[M]
2	AP5RSR000228	Flywheel cpl.	1	<b>Year:</b> 2002[2] <b>Country:</b> United States of America[AM], United States of America[USA] <b>Technical Specifications:</b> Mark DUCATI ENERGIA[D], "DITECH" engine with direct fuel injection[ie]
2	AP5RSR000228	Flywheel cpl.	1	<b>Year:</b> 2003[3], 2004[4] <b>Country:</b> United States of America[AM], Canadian[CA], Canadian[CN], United States of America[USA] <b>Technical Specifications:</b> Mark DUCATI ENERGIA[D], "DITECH" engine with direct fuel injection[ie]
2	AP5RSR000228	Flywheel cpl.	1	<b>Year:</b> 2001[1]

<b>Group</b>	ENGINE
<b>Code</b>	29.57
<b>Description</b>	Flywheel
<b>Service</b>	1



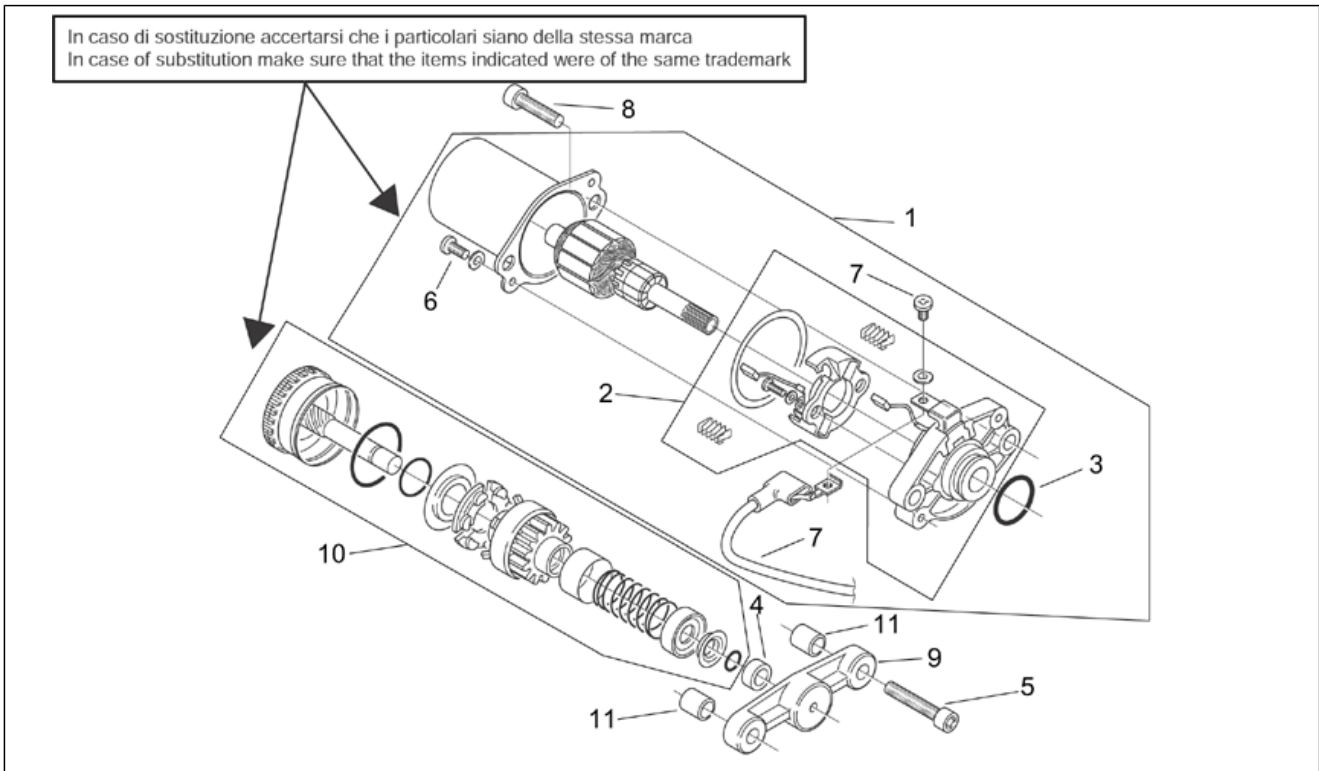
Pos.	Code	Description	Qty	Variants
				<b>Country:</b> United States of America[AM], United States of America[USA] <b>Technical Specifications:</b> Mark DUCATI ENERGIA[D], "DITECH" engine with direct fuel injection[ie]
2	AP5RSR000228	Flywheel cpl.	1	<b>Year:</b> 2002[2] <b>Country:</b> Austria[A], Australia[AA], Australia[AUS], Belgium[B], Switzerland[CH], Germany[D], Denmark[DK], Spain[E], A, B, CH, D, DK, E, F, I, NL, P, UK[EU], France[F], Italy[I], Japan[J], Japan[JJ], Holland[NL], Portugal[P], Great Britain[UK] <b>Technical Specifications:</b> Mark DUCATI ENERGIA[D], Full Power Version[fp], "DITECH" engine with direct fuel injection[ie]
2	AP5RSR000228	Flywheel cpl.	1	<b>Year:</b> 2000[Y] <b>Technical Specifications:</b> Version 25 Kw[25k], Mark DUCATI ENERGIA[D], "DITECH" engine with direct fuel injection[ie]
2	AP5RSR000228	Flywheel cpl.	1	<b>Year:</b> 2002[2] <b>Country:</b> Belgium[B], Germany[D], Denmark[DK], A, B, CH, D, DK, E, F, I, NL, P, UK[EU], Holland[NL] <b>Technical Specifications:</b> Version 25 Kw[25k], Mark DUCATI ENERGIA[D], "DITECH" engine with direct fuel injection[ie]
2	AP5RSR000228	Flywheel cpl.	1	<b>Year:</b> 2000[Y] <b>Technical Specifications:</b> Mark DUCATI ENERGIA[D], Full Power Version[fp], "DITECH" engine with direct fuel injection[ie]
2	AP5RSR000228	Flywheel cpl.	1	<b>Year:</b> 2001[1] <b>Country:</b> Austria[A], Australia[AA], Australia[AUS], Belgium[B], Switzerland[CH], Germany[D], Denmark[DK], Spain[E], A, B, CH, D, DK, E, F, I, NL, P, UK[EU], France[F], Italy[I], Japan[J], Japan[JJ], Holland[NL], Portugal[P], Great Britain[UK] <b>Technical Specifications:</b> Mark DUCATI ENERGIA[D], Full Power Version[fp], "DITECH" engine with direct fuel injection[ie]
2	AP5RSR000228	Flywheel cpl.	1	<b>Year:</b> 2001[1]

<b>Group</b>	ENGINE
<b>Code</b>	29.57
<b>Description</b>	Flywheel
<b>Service</b>	1



Pos.	Code	Description	Qty	Variants
				Country:Belgium[B], Germany[D], Denmark[DK], A, B, CH, D, DK, E, F, I, NL, P, UK[EU], Holland[NL] Technical Specifications:Version 25 Kw[25k], Mark DUCATI ENERGIA[D], "DITECH" engine with direct fuel injection[ie]
3	AP4DGN000066	Plain washer	2	
4	AP4BEN000010	Nut m10x1,25	1	
5	AP4ADN000027	screw	2	Technical Specifications:Engine with carburettor[carb]
6	AP4ADN000101	screw	2	Technical Specifications:"DITECH" engine with direct fuel injection[ie]
7	AP4DGN000077	Plain washer	1	
8	AP4ADN000023	screw M5x12	2	
9	AP3RAA000730	Bush	1	

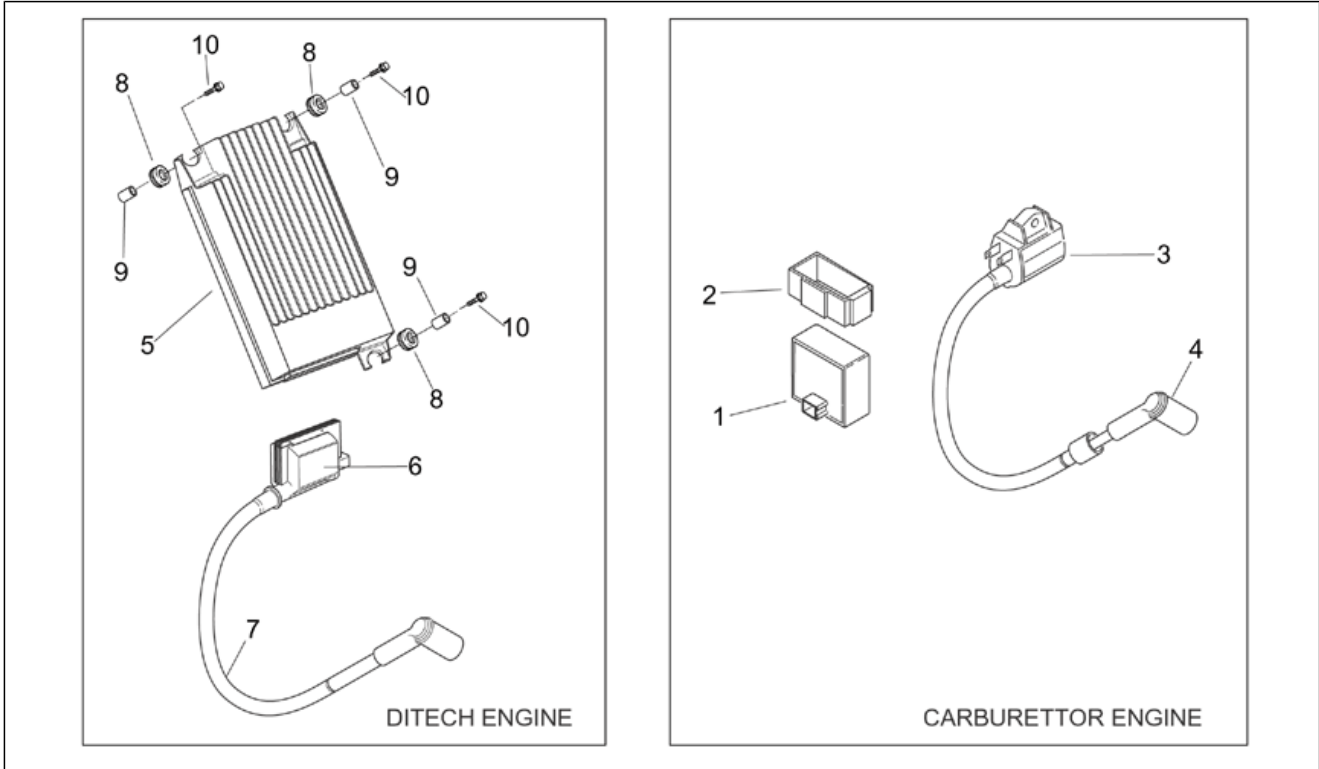
<b>Group</b>	ENGINE
<b>Code</b>	29.58
<b>Description</b>	Starter motor
<b>Service</b>	1



Pos.	Code	Description	Qty	Variants
1	AP2QCA000041	Starter motor	1	<b>Technical Specifications:</b> Mark MITSUBA[M]
1	AP2QCA000455	Starter motor	1	<b>Technical Specifications:</b> Mark DUCATI ENERGIA[D]
2	AP5RQR000069	Starter motor revision kit	1	<b>Technical Specifications:</b> Mark MITSUBA[M]
2	AP5RQR000183	Starter motor revision kit	1	<b>Technical Specifications:</b> Mark DUCATI ENERGIA[D]
3	AP5RQR000023	O-ring	1	<b>Technical Specifications:</b> Mark MITSUBA[M]
3	AP5RQR000181	O-ring	1	<b>Technical Specifications:</b> Mark DUCATI ENERGIA[D]
4	AP3QAA000039	Bush	1	
5	AP4ADN000012	Hex socket screw	2	
6	AP5RQR000026	screw	2	
7	AP5RQR000027	Wiring with screw	1	<b>Technical Specifications:</b> Mark MITSUBA[M]
7	AP5RQR000182	Wiring	1	<b>Technical Specifications:</b> Mark DUCATI ENERGIA[D]
8	AP4ADN000016	Hex socket screw	2	
9	AP3QAA000038	Bendix support	1	
10	AP2QBA000058	Bendix	1	<b>Technical Specifications:</b> Mark MITSUBA[M]
10	AP2QBA000456	Bendix	1	<b>Technical Specifications:</b> Mark DUCATI ENERGIA[D]
11	AP3FCN000271	Pin	2	

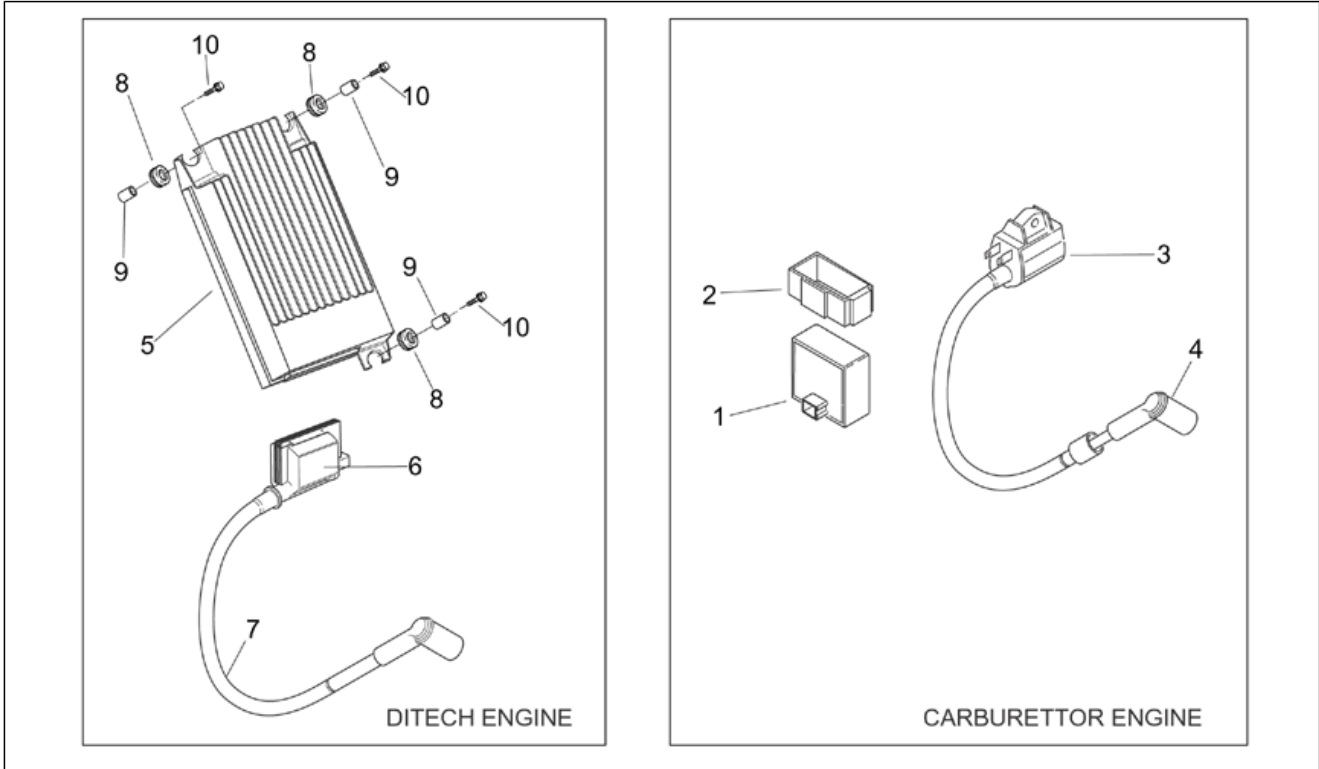


<b>Group</b>	ENGINE
<b>Code</b>	29.59
<b>Description</b>	Ignition unit
<b>Service</b>	1



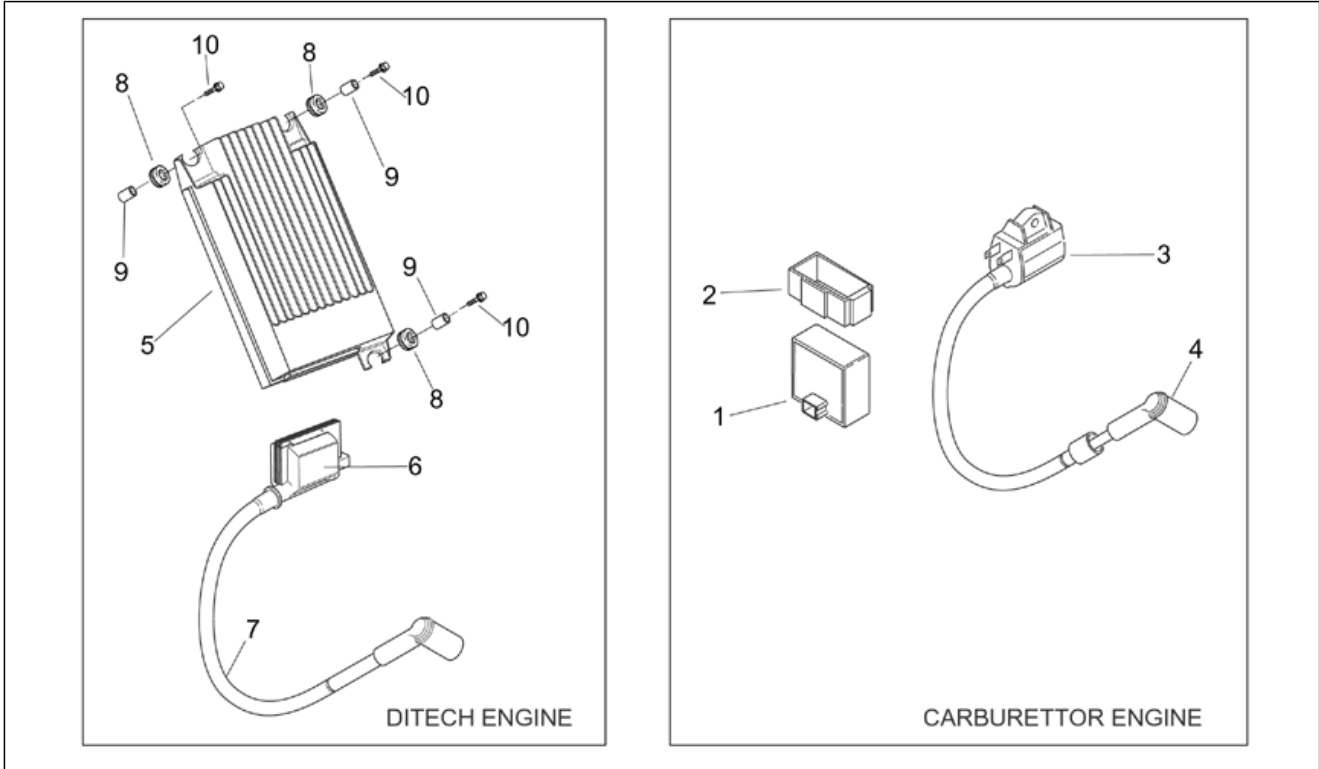
Pos.	Code	Description	Qty	Variants
1	AP2RCA000033	ECU	1	<b>Technical Specifications:</b> Engine with carburettor[carb], Mark KOKUSAN[KO]
1	AP3RCA000447	ECU	1	<b>Technical Specifications:</b> Mark A.E.T.[AET], Engine with carburettor[carb]
2	AP8220545	Rubber wiring	1	<b>Technical Specifications:</b> Engine with carburettor[carb]
3	AP2RDA000034	HT coil	1	<b>Technical Specifications:</b> Engine with carburettor[carb], Mark KOKUSAN[KO]
3	AP3RDA000448	HT coil	1	<b>Technical Specifications:</b> Mark A.E.T.[AET], Engine with carburettor[carb]
4	AP2REA000111	Sparkplug cap	1	<b>Technical Specifications:</b> Engine with carburettor[carb]
5	AP8224262	ECU	1	<b>Year:</b> 2000[Y] <b>Technical Specifications:</b> Full Power Version[fp], "DITECH" engine with direct fuel injection[ie]
5	AP8224262	ECU	1	<b>Year:</b> 2001[1] <b>Country:</b> Austria[A], Australia[AA], Australia[AUS], Belgium[B], Switzerland[CH], Germany[D], Denmark[DK], Spain[E], A, B, CH, D, DK, E, F, I, NL, P, UK[EU], France[F], Italy[I], Japan[J], Japan[JJ], Holland[NL], Portugal[P], Great Britain[UK] <b>Technical Specifications:</b> Full Power Version[fp], "DITECH" engine with direct fuel injection[ie]
5	AP8224398	ECU	1	<b>Year:</b> 2000[Y] <b>Technical Specifications:</b> Version 25 Kw[25k], "DITECH" engine with direct fuel injection[ie]
5	AP8224398	ECU	1	<b>Year:</b> 2001[1] <b>Country:</b> Belgium[B], Germany[D], Denmark[DK], A, B, CH, D, DK, E, F, I, NL, P, UK[EU], Holland[NL] <b>Technical Specifications:</b> Version 25 Kw[25k], "DITECH" engine with direct fuel injection[ie]
5	AP8224398	ECU	1	<b>Year:</b> 2002[2] <b>Country:</b> Belgium[B], Germany[D], Denmark[DK], A, B, CH, D, DK, E, F, I, NL, P, UK[EU], Holland[NL] <b>Technical Specifications:</b> Version 25 Kw[25k], "DITECH" engine with direct fuel injection[ie]

<b>Group</b>	ENGINE
<b>Code</b>	29.59
<b>Description</b>	Ignition unit
<b>Service</b>	1



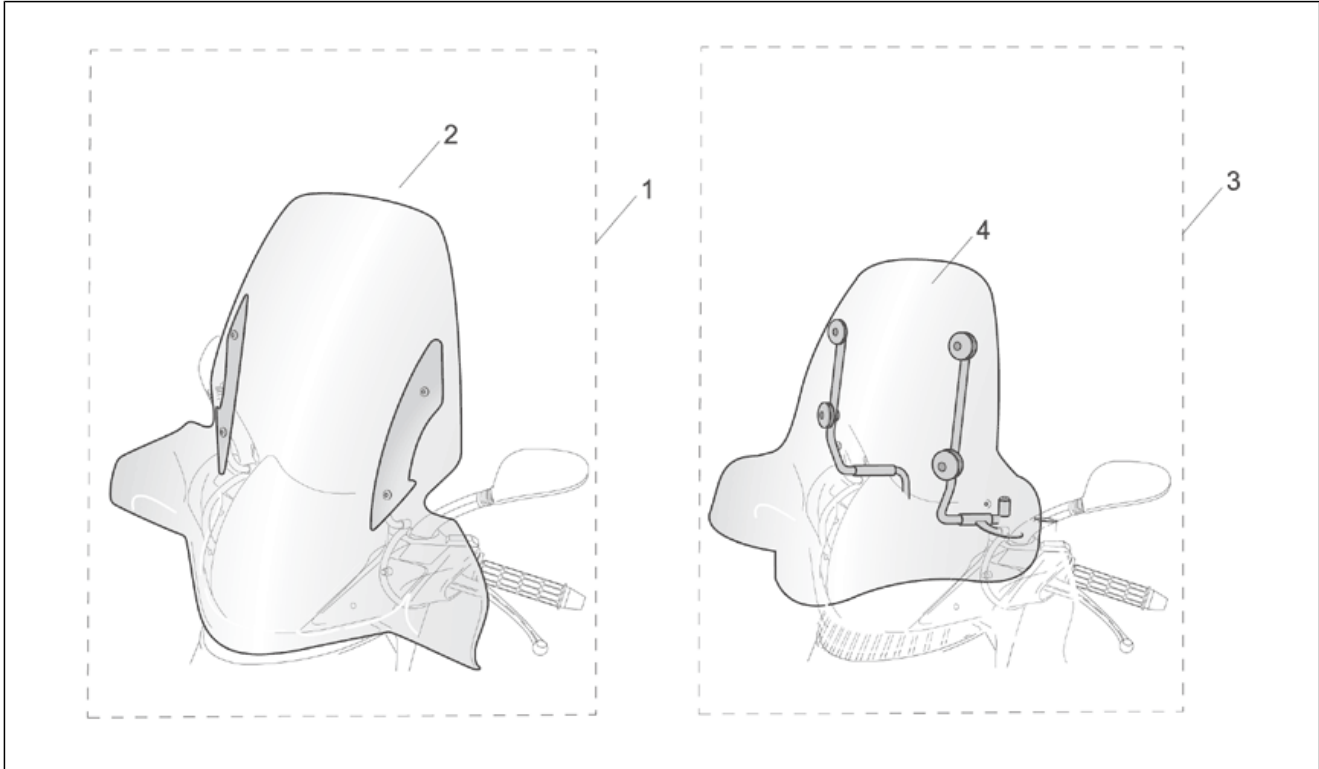
Pos.	Code	Description	Qty	Variants
5	AP8224408	ECU	1	<b>Country:</b> United States of America[AM], Canadian[CA], Canadian[CN], United States of America[USA] <b>Technical Specifications:</b> "DITECH" engine with direct fuel injection[ie]
5	AP8224414	ECU	1	<b>Year:</b> 2002[2] <b>Country:</b> Austria[A], Australia[AA], Australia[AUS], Belgium[B], Switzerland[CH], Germany[D], Denmark[DK], Spain[E], A, B, CH, D, DK, E, F, I, NL, P, UK[EU], France[F], Italy[I], Japan[J], Japan[JJ], Holland[NL], Portugal[P], Great Britain[UK] <b>Technical Specifications:</b> Spare part with EURO1 omologation[E1], Full Power Version[fp], "DITECH" engine with direct fuel injection[ie]
5	AP8224414	ECU	1	<b>Year:</b> 2001[1] <b>Country:</b> Austria[A], Australia[AA], Australia[AUS], Belgium[B], Switzerland[CH], Germany[D], Denmark[DK], Spain[E], A, B, CH, D, DK, E, F, I, NL, P, UK[EU], France[F], Italy[I], Japan[J], Japan[JJ], Holland[NL], Portugal[P], Great Britain[UK] <b>Technical Specifications:</b> Full Power Version[fp], "DITECH" engine with direct fuel injection[ie]
5	AP8224414	ECU	1	<b>Year:</b> 2000[Y] <b>Technical Specifications:</b> Full Power Version[fp], "DITECH" engine with direct fuel injection[ie]
5	AP8224417	ECU	1	<b>Year:</b> 2002[2] <b>Country:</b> Belgium[B], Germany[D], Denmark[DK], A, B, CH, D, DK, E, F, I, NL, P, UK[EU], Holland[NL] <b>Technical Specifications:</b> Version 25 Kw[25k], "DITECH" engine with direct fuel injection[ie]
5	AP8224417	ECU	1	<b>Year:</b> 2001[1] <b>Country:</b> Belgium[B], Germany[D], Denmark[DK], A, B, CH, D, DK, E, F, I, NL, P, UK[EU], Holland[NL] <b>Technical Specifications:</b> Version 25 Kw[25k], "DITECH" engine with direct fuel injection[ie]
5	AP8224448	ECU	1	<b>Year:</b> 2002[2]

<b>Group</b>	ENGINE
<b>Code</b>	29.59
<b>Description</b>	Ignition unit
<b>Service</b>	1



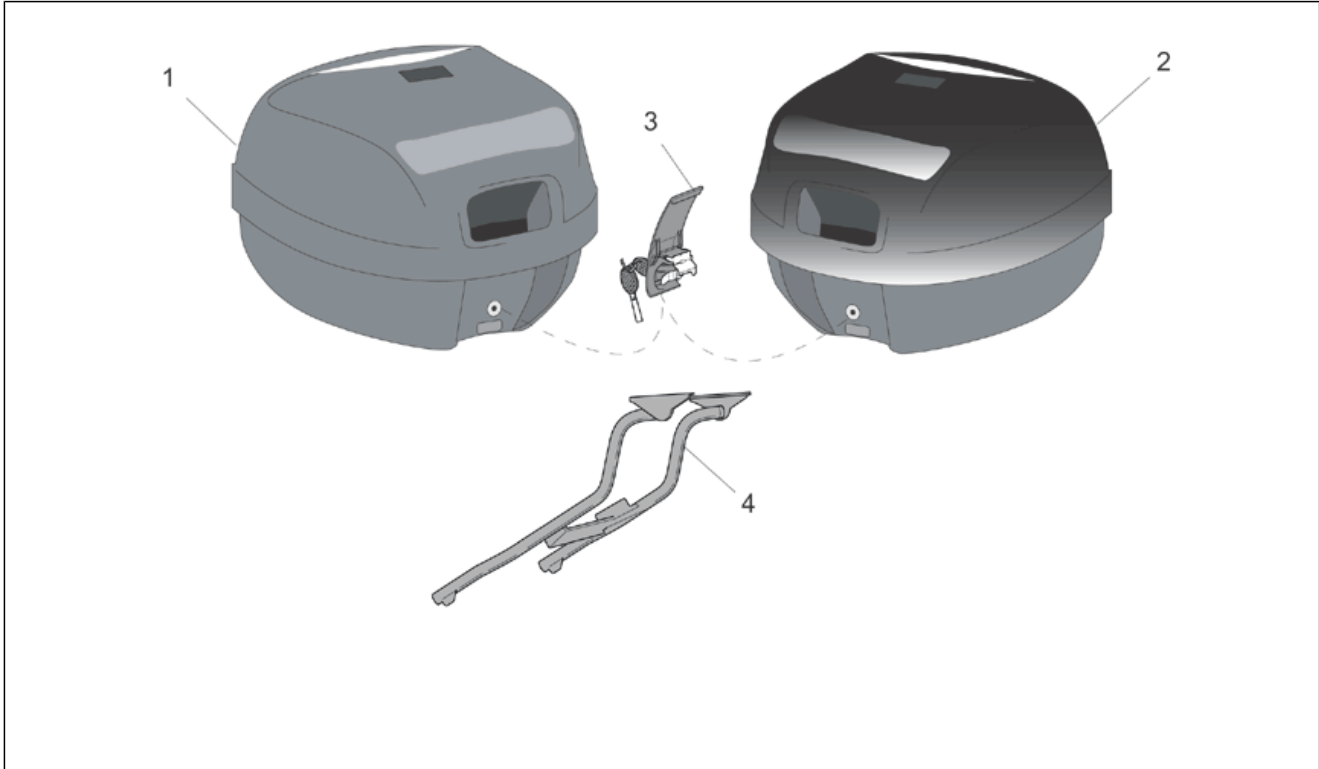
Pos.	Code	Description	Qty	Variants
				<b>Country:</b> Austria[A], Australia[AA], Australia[AUS], Belgium[B], Switzerland[CH], Germany[D], Denmark[DK], Spain[E], A, B, CH, D, DK, E, F, I, NL, P, UK[EU], France[F], Italy[I], Japan[J], Japan[JJ], Holland[NL], Portugal[P], Great Britain[UK] <b>Technical Specifications:</b> Spare part with EURO2 omologation[E2], Full Power Version[fp], "DITECH" engine with direct fuel injection[ie]
6	AP8224261	HT coil	1	<b>Technical Specifications:</b> "DITECH" engine with direct fuel injection[ie]
7	AP8224304	HT wire	1	<b>Technical Specifications:</b> "DITECH" engine with direct fuel injection[ie]
8	AP8120405	Rubber spacer	3	<b>Technical Specifications:</b> "DITECH" engine with direct fuel injection[ie]
9	AP8221036	Bushing 5,3x8x7,1	3	<b>Technical Specifications:</b> "DITECH" engine with direct fuel injection[ie]
10	AP8152273	Screw w/ flange M5x16	3	<b>Technical Specifications:</b> "DITECH" engine with direct fuel injection[ie]

<b>Group</b>	ACCESSORIES
<b>Code</b>	30.60
<b>Description</b>	Acc. - Windshields
<b>Service</b>	1



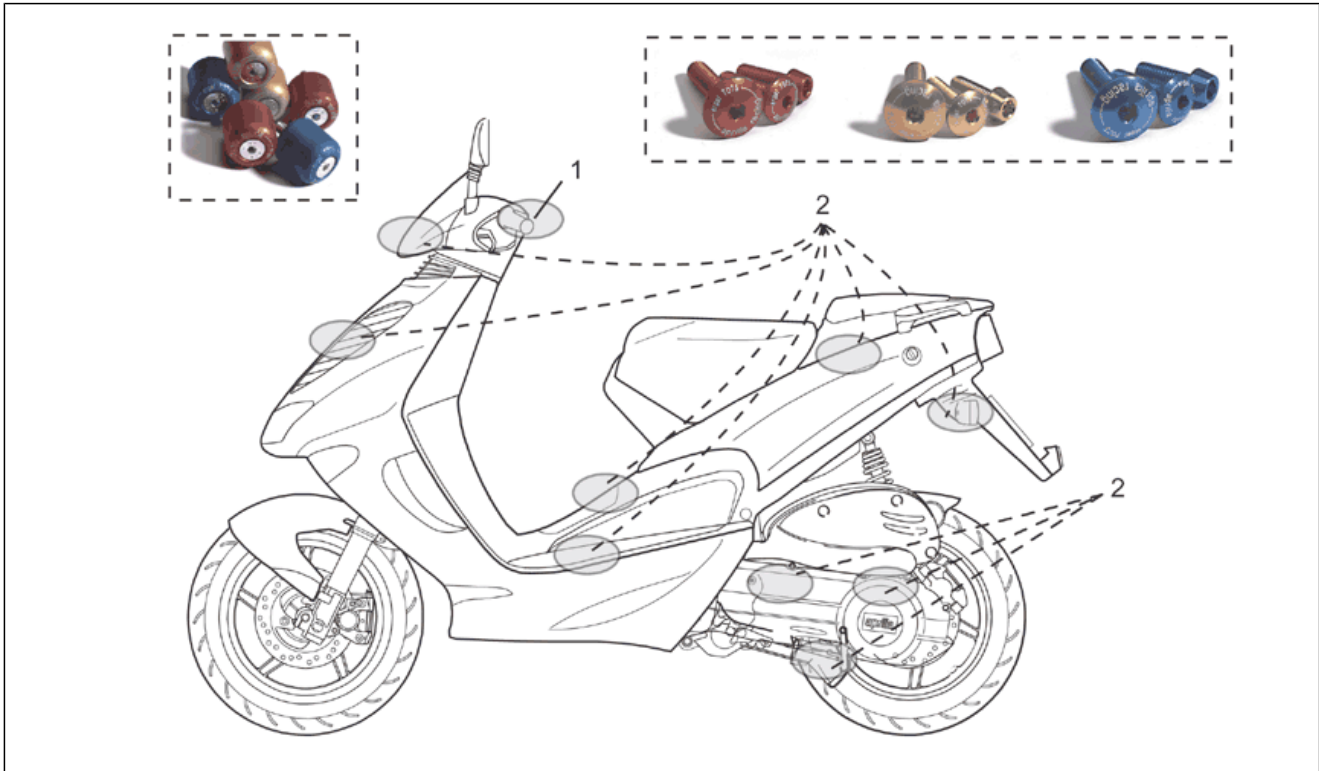
Pos.	Code	Description	Qty	Variants
1	AP8791129	Windscreen cpl. Big	1	<b>Technical Specifications:</b> Accessories[A]
2	AP8791128	Windscreen w/out support Big	1	<b>Technical Specifications:</b> Accessories[A]
3	AP8791131	Windscreen cpl. Sport	1	<b>Technical Specifications:</b> Accessories[A]
4	AP8791130	Windscreen w/out support Sport	1	<b>Technical Specifications:</b> Accessories[A]

<b>Group</b>	ACCESSORIES
<b>Code</b>	30.61
<b>Description</b>	Acc. - Top/cases, side cases
<b>Service</b>	1



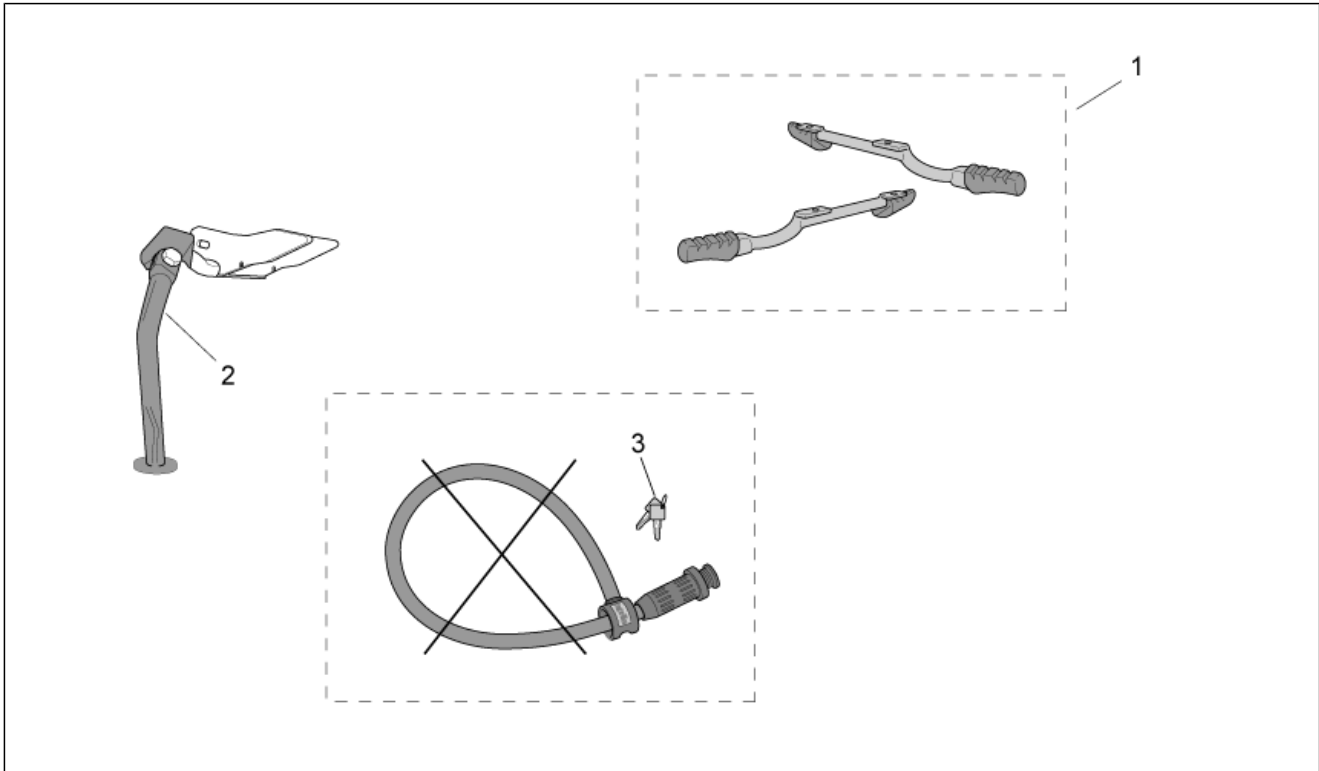
Pos.	Code	Description	Qty	Variants
1	AP8792066	Top box, embossed New-C 32L	1	Technical Specifications:Accessories[A]
2	AP8792080	Top box, A.black New-C 28L	1	Technical Specifications:Accessories[A]
3	AP8104197	Top box lock cpl.	1	Technical Specifications:Accessories[A]
4	AP8793051	Top box supp.plate assy New-C	1	Technical Specifications:Accessories[A]

<b>Group</b>	ACCESSORIES
<b>Code</b>	30.62
<b>Description</b>	Acc. - Cyclistic components
<b>Service</b>	1



Pos.	Code	Description	Qty	Variants
1	AP8202268	Pair anti.v weights, red Ergal	1	
1	AP8202269	Pair anti.v weights,blue Ergal	1	
1	AP8202270	Pair anti.v weights,gold Ergal	1	
2	AP8140651	Bodywork+cas.screws, red Ergal	1	
2	AP8140652	Bodywork+cas.screws,blue Ergal	1	
2	AP8140653	Bodywork+cas.screws,gold Ergal	1	

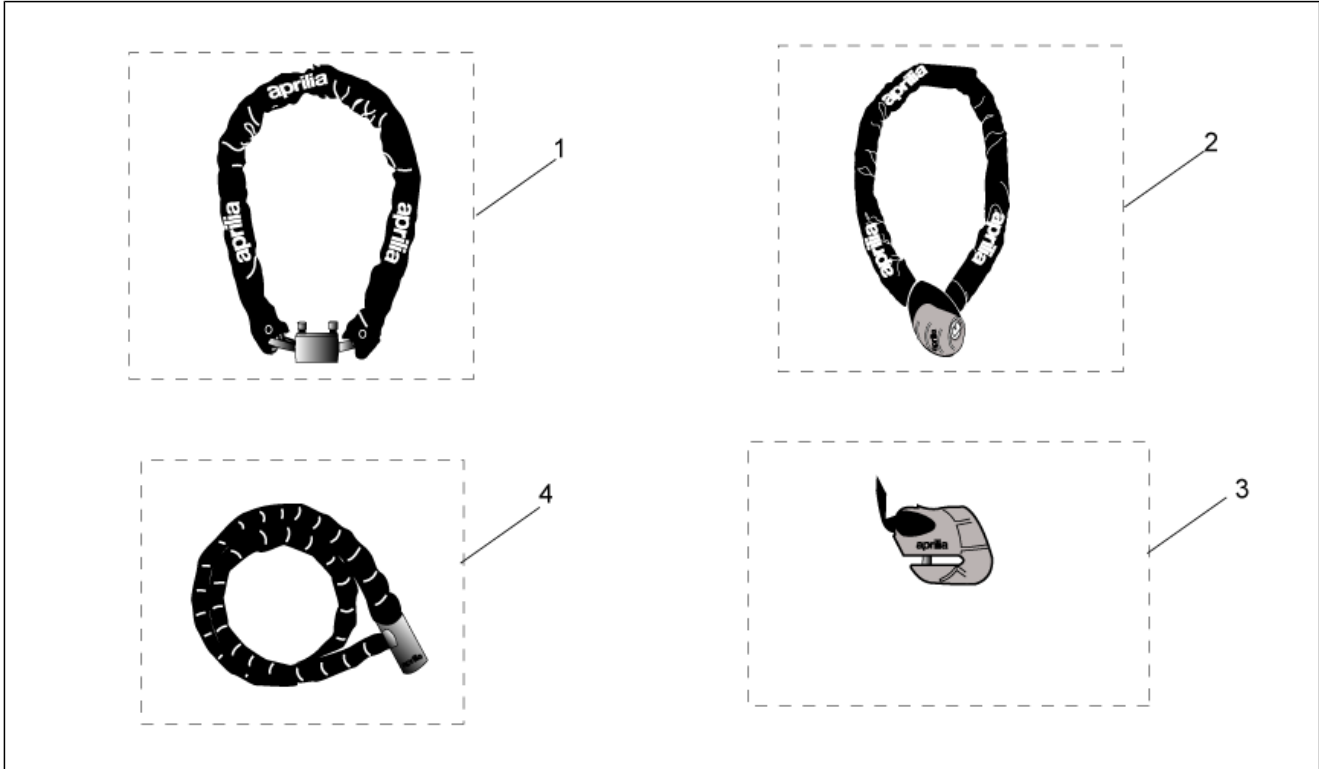
<b>Group</b>	ACCESSORIES
<b>Code</b>	30.63
<b>Description</b>	Acc. - Various
<b>Service</b>	1



Pos.	Code	Description	Qty	Variants
1	AP8792157	Rear footrests, pair	1	Technical Specifications:Accessories[A]
2	AP8790154	Lateral stand	1	Technical Specifications:Accessories[A]
3	AP8700792	Key support B.Guard UK-D	1	Technical Specifications:Accessories[A]
3	AP8700793	Key support B.Guard F-NL	1	Technical Specifications:Accessories[A]
3	AP8700794	Key support B.Guard I-E	1	Technical Specifications:Accessories[A]



<b>Group</b>	ACCESSORIES
<b>Code</b>	30.64
<b>Description</b>	Acc. - Mechanics anti-theft
<b>Service</b>	1



Pos.	Code	Description	Qty	Variants
1	AP8720115	Iron Guard 10x150 mm	1	Technical Specifications:Accessories[A]
2	AP8720116	Iron Guard 8x120 mm	1	Technical Specifications:Accessories[A]
3	AP8720117	Iron Guard Disk 5 mm	1	Technical Specifications:Accessories[A]
4	AP8720118	Easy Guard 150 mm	1	Technical Specifications:Accessories[A]