



PIAGGIO & C.s.p.a.

**aprilia**

## **SPARE PARTS CATALOGUE**

### **Shiver 750 USA 2011-14**

Chassis prefix: ZD4RAC01

Engine prefix:

## Index

Finished products.....	4
Alphanumeric index.....	5
TELAIO.....	11
Table 28.01 - Frame I.....	11
Table 28.02 - Frame II.....	12
Table 28.03 - Saddle support.....	13
Table 28.04 - Foot rests.....	14
Table 28.05 - Central stand.....	15
Table 28.06 - Steering.....	16
Table 28.07 - Front fork .....	17
Table 28.08 - Fron fork II.....	19
Table 28.09 - Swing arm.....	20
Table 28.10 - Rear shock absorber.....	22
Table 28.11 - Front body - Front mudguard.....	23
Table 28.12 - Central body.....	24
Table 28.13 - Fuel tank.....	26
Table 28.14 - Fuel pump.....	27
Table 28.15 - Saddle.....	28
Table 28.16 - Rear body I.....	29
Table 28.17 - Rear body II.....	31
Table 28.18 - Rear body III.....	32
Table 28.19 - Dashboard.....	33
Table 28.20 - Handlebar - Controls.....	34
Table 28.21 - Clutch pump.....	35
Table 28.22 - Front master cilinder.....	36
Table 28.23 - Cooling system.....	37
Table 28.24 - Air box.....	39
Table 28.26 - Exhaust unit.....	40
Table 28.27 - Front wheel.....	41
Table 28.28 - Front brake caliper.....	42
Table 28.29 - Rear wheel.....	43
Table 28.30 - Rear brake system.....	44
Table 28.31 - Front lights.....	46
Table 28.32 - Rear lights.....	47
Table 28.33 - Electrical system I.....	48
Table 28.34 - Electrical system I.....	49
Table 28.35 - Lock hardware kit.....	50
Table 28.36 - Plate set-decal-op.handbooks.....	51
Table 28.55 - Holder.....	53
Table 28.56 - ABS Brake system.....	54
Table 28.57 - Technical decals.....	55
MOTORE.....	56
Table 29.25 - Engine.....	56

---

Table 29.37 - Crankcases I.....	57
Table 29.38 - Crankcases II.....	58
Table 29.39 - Oil pump.....	60
Table 29.40 - Drive shaft.....	61
Table 29.41 - Cylinder with piston.....	62
Table 29.42 - Valves cover.....	63
Table 29.43 - Cylinder head - valves.....	64
Table 29.44 - Valves pads.....	66
Table 29.45 - Front cylinder timing system.....	67
Table 29.46 - Rear cylinder timing system.....	68
Table 29.47 - Gear box selector.....	69
Table 29.48 - Gear box.....	71
Table 29.49 - Clutch I.....	72
Table 29.50 - Clutch II.....	73
Table 29.51 - Water pump.....	74
Table 29.52 - Ignition unit.....	75
Table 29.53 - Throttle body.....	76
Table 29.54 - Fuel vapour recover system.....	77
Table 29.55 - Water pump II.....	78

## Finished products

Code	Validity
AP6127100CCB00	
AP6127100CCB02	
AP6127100CCC00	
AP6127100CCC04	
AP6127100CCC05	
AP6127100CCC06	
AP6127100CCC07	
AP6127100CCC10	
AP6127100CCD00	
AP6127100CCD07	
AP6127100CCD10	
AP6127100CCE00	
AP6127100CCE07	
AP6127100YCB00	
AP6127100YCB01	
AP6127100YCB02	
AP6127100YCC00	
AP6127100YCC04	
AP6127100YCC05	
AP6127100YCC07	
AP6127100YCD00	
AP6127100YCD01	
AP6127100YCD10	
AP6127100YCE00	
AP6127100YCE07	
AP6127100YCE10	

Code	No. table	Pos.	Code	No. table	Pos.	Code	No. table	Pos.
000267	29.40	6	642032	28.22	8	849244	29.38	22
000267	29.52	16	654139	28.16	24	849291	29.40	7
006175	29.47	28	825577	29.38	12	849293	29.48	1
006410	29.51	8	825577	29.49	19	849295	29.48	2
006450	29.39	2	825597	29.41	14	849296	29.48	3
006642	29.38	24	825725	29.52	18	849297	29.48	4
015597	29.53	15	82650R	29.41	11	849298	29.48	5
015715	29.52	11	82697R	29.52	1	849301	29.48	11
031060	28.26	18	827018	29.43	8	849303	29.48	13
122671	29.38	8	828116	29.41	7	849304	29.48	14
129953	28.32	16	82897R	29.38	14	849305	29.48	15
217163	29.53	16	829122	29.39	15	849306	29.48	16
224035	29.55	7	82935R	29.48	26	849307	29.48	17
224664	29.53	14	82945R	29.52	5	849308	29.48	23
239388	29.37	7	82960R	29.39	12	849309	29.48	18
254485	28.01	10	829981	29.52	21	849310	29.48	20
254485	28.26	17	830249	29.42	4	849311	29.48	19
254485	28.55	8	83038R	29.43	1	849312	29.48	12
254485	29.54	3	83038R	29.45	12	849360	29.47	2
277916	29.52	22	830390	29.52	4	849367	29.40	9
277916	29.55	18	83039R	29.43	24	849396	29.48	9
285846	29.44	2	83039R	29.46	12	849424	29.48	6
287174	29.39	17	831148	29.52	17	849426	29.48	7
289731	29.53	8	831153	29.49	11	849468	29.47	3
289731	29.55	19	832963	29.38	19	849558	29.42	2
292022	28.31	18	833520	29.43	18	849693	29.47	1
292507	28.34	12	834232	28.23	16	849719	29.45	8
292889	29.38	18	834317	29.37	8	849722	29.46	8
293717	28.04	4	834951	29.55	17	849771	29.45	7
294353	28.31	17	840135	29.41	9	849771	29.46	7
2G000001	28.57	4	841915	29.52	15	849817	29.45	10
2G000002	28.57	5	842291	29.42	3	849817	29.46	10
2G000003	28.57	3	842360	29.43	20	849827	29.45	14
411311	29.43	21	842507	29.48	25	849827	29.46	14
430136	29.38	15	843213	28.12	16	8498735001	29.40	1
432142	29.53	9	844211	29.47	20	8498735002	29.40	1
436438	29.43	16	846624	29.55	8	849898	29.53	7
436695	29.55	23	846923	29.43	2	849909	29.45	5
478012	29.38	25	846925	29.43	7	849910	29.46	6
486075	29.38	23	847268	29.40	11	849911	29.37	4
486075	29.39	11	847417	29.43	6	849923	29.52	24
487073	29.38	17	847537	29.38	16	85153600XNB	28.01	2
496404	28.34	11	847906	29.40	10	85153600XNB	28.01	2
575268	28.01	8	847915	29.40	8	85153700XNB	28.01	3
575268	28.03	10	847928	29.41	8	85153700XNB	28.01	3
576001	28.31	5	848209	29.51	10	851541	28.01	4
581061	28.33	14	848209	29.55	10	851550	28.05	2
58188R	29.47	22	848280	29.51	6	851557	28.09	24
582928	28.34	21	848280	29.51	6	851567	28.24	11
583158	28.34	3	8482860001	29.41	2	851567	28.24	11
584509	28.34	7	8482860002	29.41	2	851570	28.24	9
5848135	29.53	6	8482860003	29.41	2	851575	28.24	4
597564	29.52	10	8482860004	29.41	2	851576	28.24	3
597565	29.47	28	848341	29.52	17	851577	28.24	1
598839	28.04	21	848465	29.37	5	851581	28.24	6
598839	28.30	17	848474	29.38	11	851582	28.26	5
598839	28.33	10	848475	29.38	4	851586	28.26	10
598839	28.33	10	848650	29.38	6	851587	28.26	1
638562	28.24	20	848651	29.38	3	851590	28.26	3
640168	29.52	7	848714	29.52	3	851590	28.26	3
640169	29.52	6	848796	29.41	1	85159300XEZ	28.18	2
640267	28.34	1	848798	29.41	6	85159400XEZ	28.18	3
640268	29.53	13	848798	29.41	6	851597	28.23	4
640485	29.43	19	848845	29.52	19	851598	28.23	7
640695	28.33	9	849131	29.40	3	851599	28.23	9
640698	28.33	6	8491945001	29.40	2	851600	28.23	8
641541	29.39	10	8491945002	29.40	2	851601	28.23	10
642032	28.21	12	849213	29.43	1	851602	28.23	11
			849213	29.45	12	851612	28.29	1

Code	No. table	Pos.	Code	No. table	Pos.	Code	No. table	Pos.
851630	28.33	11	856033	28.07	8	859812	28.32	13
851632	28.34	4	856034	28.07	9	859946	28.04	22
851636	28.19	6	856035	28.07	10	859982	28.07	1
851637	28.31	1	856036	28.07	11	859983	28.07	2
851638	28.32	1	856037	28.07	12	860069	28.13	10
851645	28.21	1	856038	28.07	13	860127	28.35	3
851649	28.12	10	856039	28.07	14	860169	28.10	1
851650	28.12	9	856040	28.07	15	860169	28.10	1
851656	28.16	6	856041	28.07	16	860328	28.23	13
85166100BM	28.12	1	856042	28.07	17	860329	29.50	9
85166100XE4	28.12	1	856043	28.07	18	860403	28.18	1
85166100XN5	28.12	1	856044	28.07	19	860437	28.26	2
851662	28.12	8	856045	28.07	20	860469	28.30	2
851663	28.12	6	856046	28.07	21	860482	28.56	3
851664	28.12	7	856046	28.08	15	860484	28.56	7
85166600XN3	28.11	2	856047	28.07	22	860485	28.56	8
851672	28.16	1	856047	28.08	16	86054000XN5	28.11	1
851676	28.16	14	856048	28.22	2	86054000XR4	28.11	1
851678	28.36	7	856050	28.21	4	860628	28.55	2
851680	28.35	6	856050	28.22	4	860629	28.55	3
851683	28.23	6	856052	28.30	27	860667	28.55	4
851685	28.24	7	856053	28.30	29	860706	28.26	20
851686	28.03	2	856054	28.21	2	860707	28.26	21
851724	28.28	1	856062	29.54	5	860739	28.19	1
851725	28.30	2	856063	29.54	6	871068	29.51	9
85178200XE3	28.09	1	856069	29.25	6	871094	29.49	17
851784	28.02	1	856079	29.25	9	871094	29.51	12
851785	28.24	12	856087	28.32	18	871095	29.49	18
851789	28.03	11	856097	28.36	4	871180	29.51	3
851901	28.20	7	856097	28.36	4	871255	29.51	17
851902	28.06	12	856245	28.07	6	871258	29.51	16
852029	28.36	6	856314	28.24	13	871494	29.52	18
85205R	28.26	8	856315	28.24	14	871609	29.49	12
85215700XR8	28.01	1	856317	28.07	24	871649	29.47	8
85215700XR8	28.01	1	856318	28.16	20	871657	29.51	1
852165	28.01	5	856549	28.07	5	871669	29.47	6
852433	28.26	16	856557	28.07	29	8716755	29.52	13
852494	28.30	20	856557	28.08	21	871748	29.45	16
853035	28.02	5	856623	28.56	4	871748	29.46	16
853036	28.02	4	856774	28.27	8	871776	29.41	13
853037	28.01	6	856775	28.30	30	871798	29.45	15
853212	28.19	7	856859	28.26	27	871798	29.46	15
853213	28.02	12	856914	28.26	14	871901	29.47	24
853421	28.18	11	858074	28.17	1	872033	29.38	5
853422	28.18	12	858130	28.33	18	872117	29.51	14
853458	28.23	30	858133	28.24	5	872125	29.50	3
853470	28.06	8	858200	28.30	26	872126	29.50	10
854592	28.19	2	858212	28.17	4	872127	29.50	11
854809	28.13	5	858213	28.15	4	872129	29.50	1
854810	28.13	6	858423	28.22	10	872154	29.47	5
854811	28.33	2	858424	28.21	14	872173	29.53	4
854817	28.09	29	858576	29.54	16	872174	29.53	1
854827	28.06	15	858588	28.57	7	872176	29.53	10
854830	28.34	9	858788	28.04	14	872177	29.53	11
854835	28.21	5	859754	28.29	12	872213	29.50	4
854893	28.30	24	859777	28.07	28	872230	29.53	2
854909	29.25	3	859777	28.08	20	872264	29.53	3
854946	28.24	2	859782	28.22	5	872421	29.49	2
854951	29.25	4	859783	28.56	2	872421	29.52	12
854968	28.18	9	859786	28.56	6	872422	29.51	11
854969	28.18	10	859789	28.55	14	872423	29.43	11
854970	28.24	10	859792	28.07	31	872424	29.43	22
854983	28.16	15	859792	28.08	23	872425	29.41	10
855071	28.18	20	859792	28.29	16	872432	29.38	20
856029	28.07	3	859792	28.30	24	872432	29.39	14
856030	28.07	4	859793	28.55	6	872432	29.41	12
856032	28.07	7	859804	28.35	1	872432	29.52	23

Code	No. table	Pos.	Code	No. table	Pos.	Code	No. table	Pos.
872433	29.43	17	874589	29.41	15	893756	28.55	1
872434	29.43	14	874591	29.45	9	893900	28.29	3
872437	29.52	9	874591	29.46	9	894156	28.36	8
8725174	29.49	14	8745964	29.45	4	894486	28.03	1
872528	29.53	17	8745964	29.46	4	894584	28.04	24
872560	29.47	14	874598	29.55	24	894585	28.04	20
872655	29.41	3	874619	29.51	13	894621	28.29	23
872656	29.41	4	874660	29.49	3	894672	28.04	2
872657	29.41	5	8751580001	29.40	4	894673	28.04	1
872664	28.33	1	8751580002	29.40	4	894779	28.20	1
872807	29.43	9	8751580003	29.40	4	895060	28.30	1
872816	29.43	15	8751580004	29.40	4	895061	28.30	1
872816	29.51	4	875358	29.39	16	895223	29.25	10
872850	29.49	1	875413	29.43	24	895224	28.30	3
872948	29.43	23	875413	29.46	12	89533700A1	28.15	1
873005	29.43	4	875725	29.49	18	89533700A1	28.15	1
873006	29.43	5	875775	29.53	18	89533700A2	28.15	1
873082	29.44	1	875814	29.55	16	895435	28.04	13
873115	28.21	8	875819	29.40	7	895476	28.20	12
873117	29.49	10	875995	28.14	6	895477	28.20	13
873127	29.49	4	876296	29.49	6	895478	28.05	1
873216	29.38	21	876477	29.49	8	895556	28.12	24
873218	29.53	5	8765105001	29.37	1	895735	28.36	8
873233	29.45	11	8765105002	29.37	1	895736	28.36	8
873233	29.46	11	8765105003	29.37	1	895808	28.33	17
873268	28.21	11	8765105004	29.37	1	895808	28.34	20
873396	29.43	12	876529	29.55	3	895809	28.33	17
873433	29.53	12	876538	29.55	6	895809	28.34	20
873459	29.43	3	876595	29.50	7	895871	28.17	3
873473	29.51	7	876790	29.49	5	895917	28.12	4
873497	29.51	15	876877	29.43	10	895918	28.12	5
873541	29.42	1	877069	29.55	13	895921	28.16	4
873543	29.49	8	877131	29.50	8	895922	28.16	5
873599	29.51	2	877138	29.49	7	895923	28.31	10
873612	29.39	13	877281	29.37	3	895992	28.11	6
873695	29.47	26	877850	29.55	11	89599300XE4	28.11	7
873706	29.50	1	878115	29.55	5	89599300XN5	28.11	7
873715	29.50	3	878384	29.52	2	89599300XR4	28.11	7
873717	29.50	6	878395	29.55	1	89599400XE4	28.11	8
873718	29.50	7	878439	29.45	13	89599400XN5	28.11	8
873719	29.50	4	878439	29.46	13	89599400XR4	28.11	8
873722	29.50	5	8786895001	29.37	1	895995	28.11	14
873723	29.50	11	8786895002	29.37	1	89599600XN5	28.12	2
873724	29.50	10	878705	29.43	13	89599600XR4	28.12	2
873725	29.50	8	878734	29.55	2	89599700XN5	28.12	3
873863	29.39	5	878742	29.47	19	89599700XR4	28.12	3
873866	29.39	4	878867	29.47	9	896063	28.20	2
873905	29.38	9	878870	29.47	13	896107	28.20	3
873906	29.39	8	878871	29.39	6	896110	28.26	11
873928	29.38	9	878872	29.52	20	896153	28.29	13
873960	29.45	1	879129	29.47	7	896185	28.26	22
873961	29.45	2	879421	29.50	5	896336	28.22	3
873962	29.46	1	880779	29.49	14	896337	28.21	3
873963	29.46	2	8807955	29.55	22	896366	28.13	1
873974	29.39	7	880797	29.55	4	896384	28.22	1
873995	29.49	15	880867	29.55	15	896385	28.22	1
874037	28.21	10	890498	28.13	11	896494	28.09	21
874129	29.47	10	890513	28.24	23	896495	28.09	32
874176	29.45	3	890638	28.03	3	896669	28.36	1
874176	29.46	3	890719	28.27	13	896669	28.36	1
874185	29.45	17	890720	28.29	4	896670	28.36	2
874185	29.46	17	890960	28.29	15	896670	28.36	2
874191	29.49	13	893073	28.29	14	896865	28.36	5
8743975	29.51	5	893096	28.36	3	897007	28.28	2
874549	29.55	12	893102	28.36	9	897008	28.28	1
874557	29.43	14	893720	28.24	22	89704600BM	28.16	3
874558	29.43	15	893743	28.14	7	89704600XE4	28.16	3

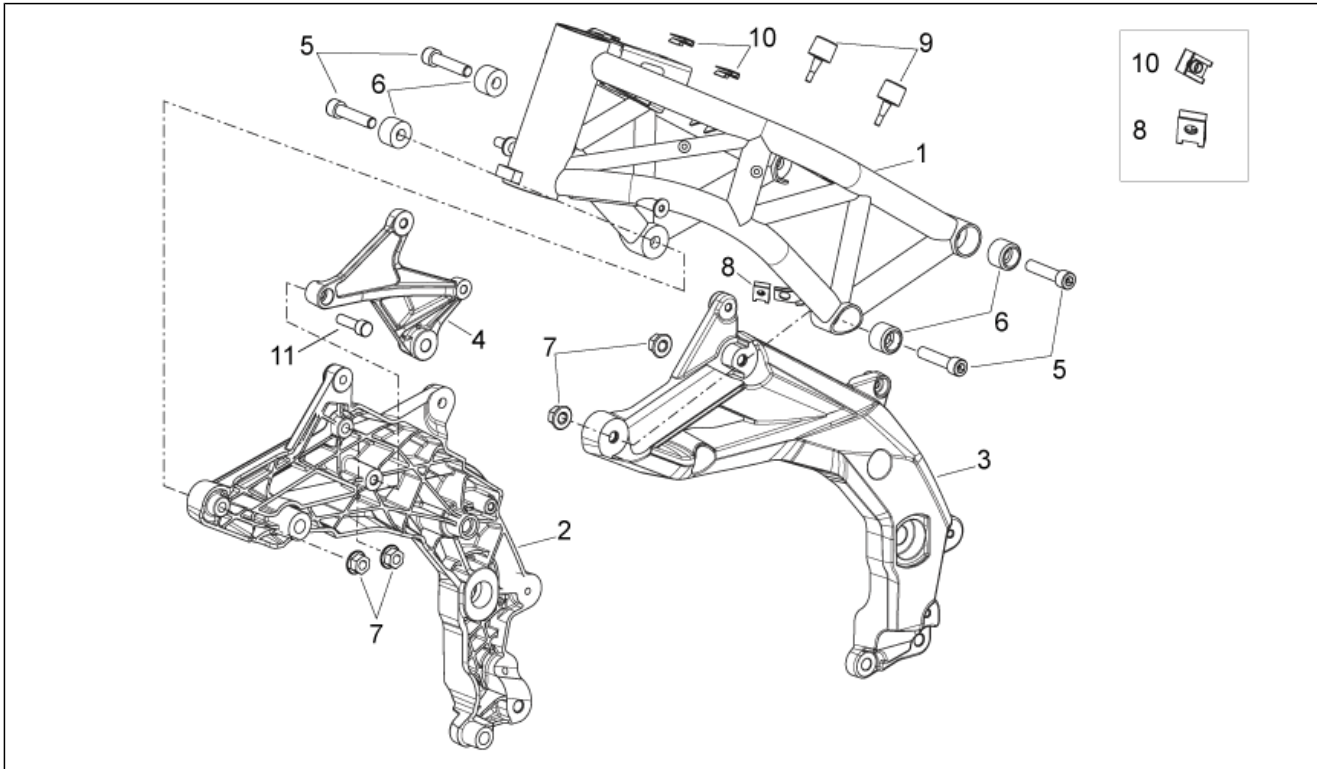
Code	No. table	Pos.	Code	No. table	Pos.	Code	No. table	Pos.
89704600XN5	28.16	3	AP8101968	28.30	13	AP8120030	28.55	17
89704700BM	28.16	2	AP8102151	29.54	21	AP8120177	28.16	7
89704700XE4	28.16	2	AP8102159	28.23	32	AP8120178	28.30	10
89704700XN5	28.16	2	AP8102239	28.23	15	AP8120416	28.33	15
897118	28.28	3	AP8102375	28.03	9	AP8120422	28.02	13
897162	28.23	1	AP8102375	28.11	4	AP8120422	28.34	19
897528	28.08	1	AP8102375	28.12	12	AP8120446	28.23	12
897529	28.08	2	AP8102375	28.16	10	AP8120446	29.54	12
897648	28.06	3	AP8102375	28.16	17	AP8120536	28.24	24
897661	28.57	4	AP8102375	28.18	7	AP8120657	28.02	6
897662	28.57	5	AP8102375	28.31	20	AP8120657	28.03	13
897663	28.57	3	AP8102375	28.32	4	AP8120893	28.13	3
897669	28.56	1	AP8102375	28.32	6	AP8120905	29.54	2
897766	28.06	13	AP8102375	28.35	15	AP8120912	28.30	8
897861	28.57	6	AP8102378	28.13	12	AP8120912	29.25	11
897984	28.08	3	AP8102381	28.11	11	AP8120952	28.23	29
897985	28.08	4	AP8102381	28.16	23	AP8121014	28.05	7
897986	28.08	5	AP8102386	28.02	7	AP8121015	28.05	8
897987	28.08	6	AP8102386	28.34	18	AP8121032	28.12	14
897988	28.08	7	AP8102520	28.23	34	AP8121126	28.30	11
897989	28.08	8	AP8102520	28.24	15	AP8121133	28.04	6
897990	28.08	11	AP8102520	29.54	19	AP8121155	28.10	5
897991	28.08	12	AP8102524	28.05	9	AP8121184	28.16	11
897992	28.08	13	AP8102615	28.23	3	AP8121200	28.09	10
897993	28.08	14	AP8102676	28.13	2	AP8121201	28.09	12
898007	28.22	5	AP8102678	29.54	1	AP8121203	28.09	11
898259	28.14	1	AP8102688	29.54	15	AP8121204	28.09	6
898305	28.56	5	AP8102719	29.54	7	AP8121212	28.29	21
969323	29.39	19	AP8102764	29.54	11	AP8121213	28.29	22
971718	29.47	11	AP8102786	28.23	31	AP8121221	28.30	7
971719	29.47	12	AP8102815	29.54	13	AP8121223	28.30	4
974033	29.52	8	AP8102913	28.35	5	AP8121224	28.04	19
974051	29.37	2	AP8104509	28.20	5	AP8121225	28.29	6
974084	29.47	4	AP8104606	28.33	16	AP8121407	28.30	21
974112	29.38	13	AP8104614	29.54	10	AP8121421	28.13	8
974129	29.38	7	AP8104710	28.35	2	AP8121455	28.26	13
974130	29.47	25	AP8104836	28.23	5	AP8121464	28.23	17
974157	29.39	3	AP8104919	28.35	4	AP8121566	28.04	5
974162	29.48	24	AP8104920	28.35	16	AP8121570	28.09	4
974163	29.48	8	AP8104921	28.20	10	AP8121716	28.56	9
974165	29.48	10	AP8104922	28.20	11	AP8121725	28.09	31
974166	29.48	22	AP8106806	28.29	11	AP8121725	28.19	10
974167	29.48	21	AP8110078	28.09	2	AP8121725	28.31	3
974219	29.52	14	AP8110079	28.09	3	AP8121773	28.35	9
974228	29.45	6	AP8110081	28.29	20	AP8121795	28.12	15
974228	29.46	5	AP8110106	28.06	4	AP8121795	28.32	3
974230	29.49	16	AP8112600	28.32	2	AP8121795	28.32	3
974282	29.39	9	AP8112600	28.32	2	AP8121795	28.32	3
974290	29.39	18	AP8112600	28.32	2	AP8121795	28.55	15
974320	29.49	9	AP8112600	28.55	16	AP8121811	29.25	8
974320	29.50	2	AP8112927	28.33	8	AP8121890	28.09	19
974361	29.49	7	AP8112996	28.30	12	AP8121994	28.05	4
9745050001	29.38	1	AP8113003	28.21	6	AP8123511	28.06	10
9745050002	29.38	1	AP8113003	28.22	6	AP8123934	28.12	21
9745050003	29.38	1	AP8113003	28.30	22	AP8124718	28.18	18
9745050004	29.38	1	AP8113004	28.21	7	AP8124869	28.34	5
9745060001	29.38	2	AP8113004	28.22	7	AP8124930	28.23	19
9745060002	29.38	2	AP8113004	28.28	7	AP8124936	28.33	5
9745060003	29.38	2	AP8113004	28.30	23	AP8125687	28.09	14
9745060004	29.38	2	AP8117033	28.11	15	AP8125728	28.27	7
974517	29.39	1	AP8118492	28.20	16	AP8125732	28.29	19
974556	29.25	2	AP8118566	28.20	15	AP8125763	28.09	13
974558	29.47	23	AP8118567	28.20	14	AP8125773	28.27	5
AP8101573	28.23	14	AP8118579	28.20	9	AP8125777	28.27	4
AP8101744	28.27	2	AP8120001	28.16	21	AP8125779	28.27	6
AP8101744	28.29	5	AP8120030	28.02	10	AP8125786	28.29	8
AP8101861	28.04	7	AP8120030	28.23	23	AP8125788	28.29	10



Code	No. table	Pos.	Code	No. table	Pos.	Code	No. table	Pos.
AP8125827	28.27	12	AP8150137	28.19	8	AP8152267	28.16	12
AP8125831	28.09	26	AP8150137	28.30	16	AP8152270	28.32	5
AP8126701	28.15	3	AP8150137	28.30	19	AP8152272	28.56	11
AP8127098	28.32	11	AP8150137	28.32	14	AP8152273	28.07	26
AP8127345	28.34	13	AP8150137	29.25	13	AP8152273	28.08	18
AP8127346	28.34	15	AP8150158	28.16	22	AP8152273	28.16	9
AP8127489	28.31	19	AP8150170	28.04	18	AP8152273	28.29	17
AP8127489	28.32	17	AP8150171	28.35	8	AP8152273	28.30	25
AP8127803	28.32	9	AP8150177	28.05	12	AP8152277	28.34	16
AP8127804	28.32	10	AP8150179	28.03	14	AP8152277	28.55	11
AP8127854	28.31	13	AP8150195	28.01	11	AP8152277	29.25	7
AP8127855	28.31	14	AP8150195	28.04	3	AP8152278	29.54	8
AP8127856	28.05	10	AP8150204	28.18	15	AP8152279	28.23	28
AP8128169	28.27	3	AP8150292	28.05	5	AP8152279	28.55	9
AP8128170	28.29	9	AP8150298	28.07	27	AP8152280	28.23	27
AP8128189	28.27	14	AP8150298	28.08	19	AP8152280	28.34	10
AP8128228	28.27	1	AP8150311	28.05	13	AP8152280	28.35	10
AP8133841	28.28	2	AP8150329	28.10	2	AP8152280	28.55	7
AP8133943	28.28	3	AP8150334	28.09	18	AP8152280	29.54	18
AP8133944	28.28	4	AP8150334	28.26	4	AP8152281	28.13	7
AP8133945	28.21	9	AP8150350	28.32	20	AP8152281	28.33	7
AP8133945	28.28	5	AP8150351	28.35	7	AP8152282	28.55	10
AP8134167	28.14	3	AP8150359	28.11	9	AP8152282	29.54	17
AP8134419	28.12	22	AP8150362	28.16	13	AP8152286	28.03	7
AP8134419	28.31	9	AP8150376	28.11	5	AP8152286	28.27	11
AP8134451	28.04	10	AP8150380	28.12	18	AP8152286	28.30	31
AP8134677	28.18	19	AP8150382	28.14	8	AP8152287	28.56	10
AP8144005	28.09	8	AP8150382	28.19	4	AP8152288	28.05	3
AP8144006	28.09	5	AP8150382	28.32	8	AP8152288	28.17	2
AP8144007	28.30	5	AP8150413	28.11	12	AP8152289	28.26	12
AP8144046	28.34	8	AP8150413	28.17	6	AP8152290	28.07	23
AP8144048	28.09	7	AP8150420	28.11	13	AP8152290	28.08	17
AP8144146	28.06	5	AP8150429	28.33	13	AP8152298	28.32	7
AP8144222	28.06	11	AP8150429	28.34	17	AP8152298	28.35	14
AP8144245	28.24	8	AP8150430	28.09	34	AP8152299	28.12	20
AP8144276	29.54	9	AP8150430	28.18	17	AP8152299	28.18	13
AP8144277	28.01	9	AP8150451	28.14	2	AP8152299	28.19	11
AP8144328	28.13	9	AP8150453	28.35	13	AP8152299	28.23	33
AP8144351	28.13	4	AP8150454	28.35	12	AP8152299	28.30	18
AP8144443	28.09	15	AP8150459	28.12	19	AP8152299	28.31	4
AP8144444	28.09	16	AP8150462	28.30	9	AP8152299	28.31	6
AP8144552	28.16	19	AP8150468	28.09	20	AP8152299	28.32	15
AP8144564	28.11	10	AP8150505	28.26	24	AP8152299	28.35	11
AP8144644	28.23	2	AP8150505	28.26	25	AP8152299	28.55	12
AP8144662	28.19	3	AP8150509	28.02	11	AP8152301	28.10	6
AP8146403	28.04	15	AP8150509	28.19	5	AP8152301	28.29	7
AP8146404	28.04	16	AP8150509	28.24	21	AP8152302	28.16	18
AP8146405	28.04	12	AP8150535	28.26	23	AP8152305	28.09	17
AP8146406	28.04	11	AP8150535	28.26	26	AP8152306	28.07	30
AP8146520	28.09	9	AP8150537	28.04	17	AP8152306	28.08	22
AP8149034	28.18	21	AP8150537	28.12	17	AP8152306	28.31	16
AP8150012	28.16	25	AP8150540	28.06	14	AP8152306	28.32	12
AP8150012	28.23	21	AP8150540	28.06	2	AP8152323	28.09	27
AP8150012	28.26	19	AP8150548	28.01	7	AP8152323	28.27	9
AP8150014	28.12	23	AP8150548	28.02	2	AP8152324	28.09	28
AP8150015	28.55	13	AP8152001	28.05	6	AP8152329	28.16	8
AP8150017	28.03	6	AP8152003	28.20	6	AP8152329	28.24	17
AP8150017	28.04	8	AP8152055	29.54	14	AP8152329	28.34	2
AP8150018	28.26	15	AP8152108	28.31	11	AP8152335	28.27	10
AP8150020	28.30	6	AP8152117	28.03	12	AP8152338	28.31	15
AP8150026	28.30	14	AP8152136	28.09	33	AP8152339	28.11	3
AP8150026	28.33	12	AP8152174	28.09	22	AP8152339	28.12	11
AP8150044	28.02	8	AP8152176	28.10	3	AP8152339	28.18	8
AP8150049	28.06	9	AP8152246	28.12	13	AP8152339	28.30	25
AP8150050	28.05	11	AP8152246	28.18	14	AP8152339	28.31	21
AP8150107	28.03	4	AP8152267	28.09	25	AP8152342	28.18	16
AP8150120	28.23	20	AP8152267	28.09	30	AP8152350	28.03	5

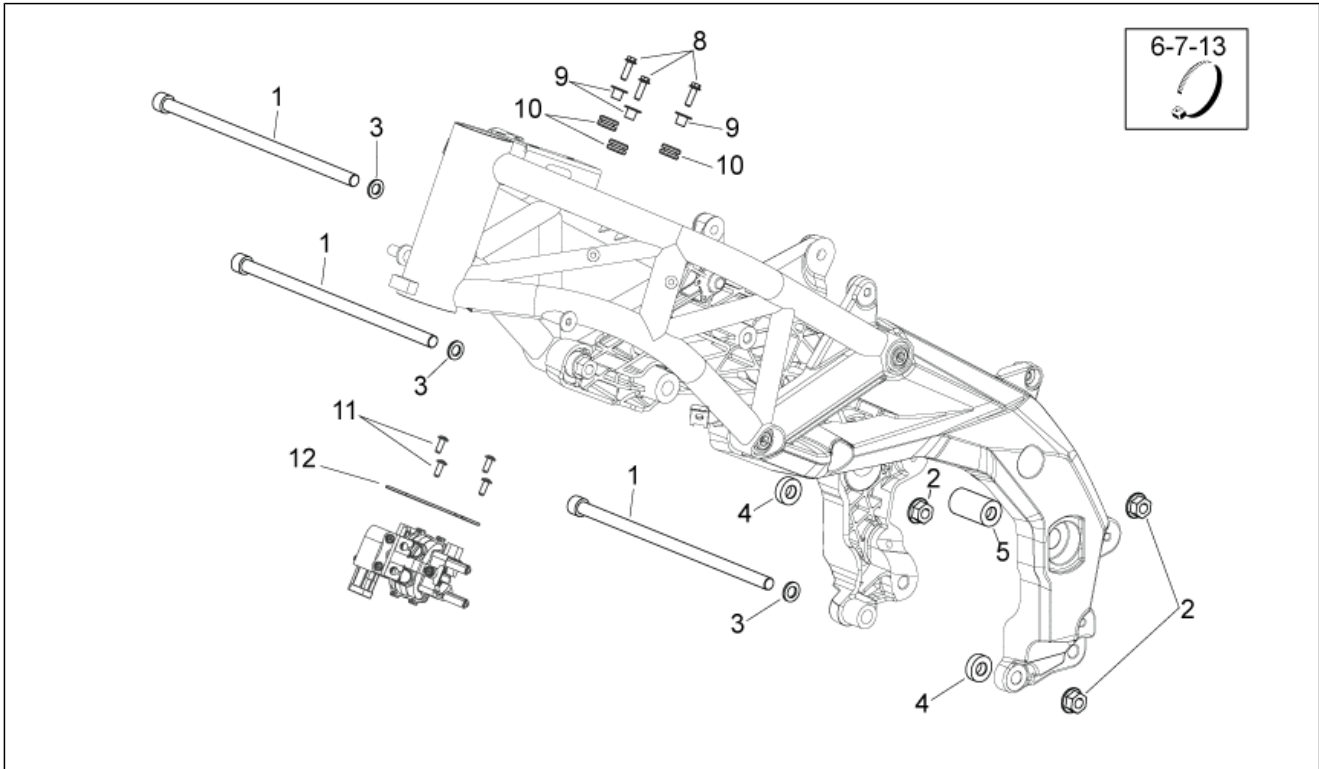
Code	No. table	Pos.	Code	No. table	Pos.	Code	No. table	Pos.
AP8152409	28.04	23	B0136305001	29.37	1	CM221709	28.29	2
AP8152409	28.04	9	B0136305002	29.37	1	CM222601	28.06	1
AP8152411	28.10	4	B0136345	29.49	14	GU01106090	28.14	5
AP8152414	28.28	6	B013646	29.42	1	GU01107490	28.14	4
AP8152442	28.06	17	B013758	29.41	1	GU01603380	28.20	4
AP8152486	28.20	8	B013928	29.47	7	GU05121630	28.26	6
AP8157100	28.57	8	B014258	29.55	22	GU05123431	28.26	7
AP8161083	28.23	18	B014391	29.52	9	GU05128230	28.26	9
AP8161088	28.06	16	B0151485001	29.37	1	GU05781630	28.07	32
AP8163133	28.08	9	B0151485002	29.37	1	GU29732550	28.33	19
AP8163134	28.08	10	B0151515001	29.37	1	GU30027931	28.24	19
AP8163500	28.06	6	B0151515002	29.37	1	GU30729330	28.24	18
AP8176100	28.34	14	B016210	29.55	14	GU56777300	28.30	32
AP8201301	28.30	15	B016874	29.55	1			
AP8201358	28.24	16	B017519	29.41	1			
AP8201358	29.25	12	B0176490001	29.41	16			
AP8201749	28.07	25	B0176490002	29.41	16			
AP8201749	28.08	24	B0176490003	29.41	16			
AP8201749	28.29	18	B0176490004	29.41	16			
AP8202449	28.16	16	B044401	28.57	4			
AP8213574	28.30	28	B044402	28.57	5			
AP8220135	28.21	13	B044403	28.57	3			
AP8220135	28.22	9	B044517	28.36	1			
AP8220192	28.31	8	B044518	28.36	2			
AP8220283	28.33	4	B044519	28.36	10			
AP8220349	28.03	8	B044520	28.36	11			
AP8220349	28.15	2	B044521	28.36	4			
AP8220366	28.23	26	B044522	28.36	1			
AP8220370	28.19	9	B044523	28.36	2			
AP8220370	28.31	2	B044524	28.36	10			
AP8220546	28.34	6	B044525	28.36	11			
AP8220546	29.54	20	B044526	28.36	3			
AP8221007	28.55	18	B044563	28.10	1			
AP8221023	28.02	9	B045403	28.57	4			
AP8221023	28.23	22	B045404	28.57	5			
AP8221023	29.54	4	B045405	28.57	3			
AP8221129	28.17	7	B046129	29.50	9			
AP8221129	28.31	12	CM001924	28.23	24			
AP8221145	28.23	25	CM154101	29.37	6			
AP8221206	28.17	5	CM154102	29.37	6			
AP8221340	28.18	6	CM154104	29.37	6			
AP8221341	28.18	5	CM157201	29.44	3			
AP8221349	28.31	7	CM157202	29.44	3			
AP8224164	28.32	19	CM157203	29.44	3			
AP8224462	28.33	3	CM157204	29.44	3			
AP8224470	28.18	4	CM157205	29.44	3			
AP8224470	28.55	5	CM157206	29.44	3			
AP8225237	28.02	3	CM157207	29.44	3			
AP8234020	28.09	23	CM157208	29.44	3			
AP8257609	28.57	10	CM157209	29.44	3			
AP8257742	28.57	11	CM157210	29.44	3			
AP8257755	28.57	9	CM157211	29.44	3			
AP8257794	28.57	2	CM157212	29.44	3			
AP8267395	28.57	1	CM157213	29.44	3			
AP9100205	28.06	7	CM157214	29.44	3			
AP9100389	29.25	5	CM157215	29.44	3			
AP9150003	29.47	27	CM157216	29.44	3			
AP9150064	29.47	17	CM157217	29.44	3			
AP9150069	29.47	16	CM157218	29.44	3			
AP9150070	29.47	18	CM157219	29.44	3			
AP9150394	29.38	10	CM157220	29.44	3			
AP9150479	29.47	21	CM157221	29.44	3			
B013068	29.55	9	CM159001	29.40	5			
B013068	29.55	9	CM159002	29.40	5			
B013070	29.43	10	CM1592045	29.25	1			
B013345	29.55	21	CM1592105	29.25	1			
B013362	29.47	15	CM179202	29.55	20			

<b>Group</b>	TELAIO
<b>Code</b>	28.01
<b>Description</b>	Frame I
<b>Service</b>	1



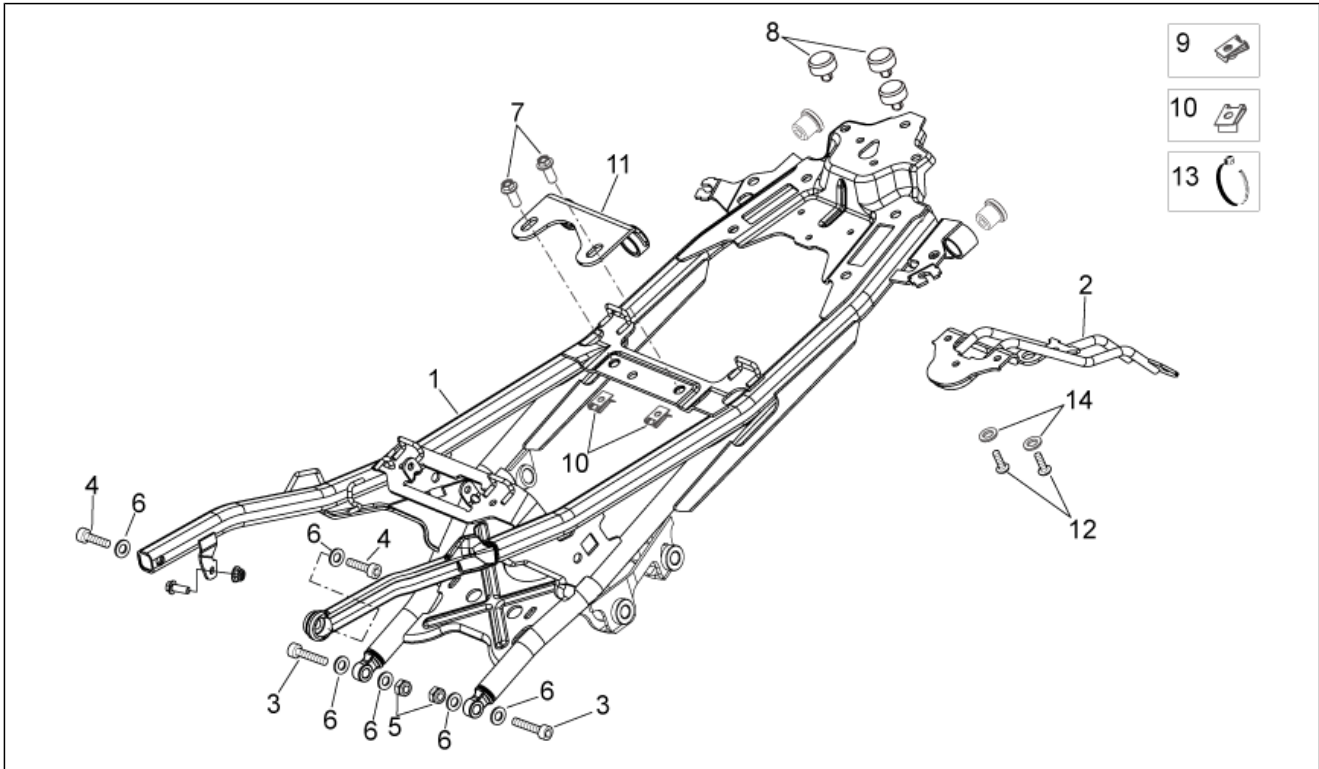
Pos.	Code	Description	Qty	Variants
1	85215700XR8	Front frame,red	1	Vehicle colour:Aprilia Black[bl]
1	85215700XR8	Front frame,red	1	Vehicle colour:Crowd Silver[sil]
2	85153600XNB	RH flank frame,black	1	Vehicle colour:Crowd Silver[sil]
2	85153600XNB	RH flank frame,black	1	Vehicle colour:Aprilia Black[bl]
3	85153700XNB	LH side panel, black	1	Vehicle colour:Crowd Silver[sil]
3	85153700XNB	LH side panel, black	1	Vehicle colour:Aprilia Black[bl]
4	851541	Shock absorber plate	1	
5	852165	Screw	4	
6	853037	Bush	4	
7	AP8150548	Flanged nut M12	4	
8	575268	Spring plate M8	1	
9	AP8144277	Stand end stop	2	
10	254485	Spring plate M6	5	
11	AP8150195	Hex socket screw M10x30	1	

<b>Group</b>	TELAIO
<b>Code</b>	28.02
<b>Description</b>	Frame II
<b>Service</b>	1



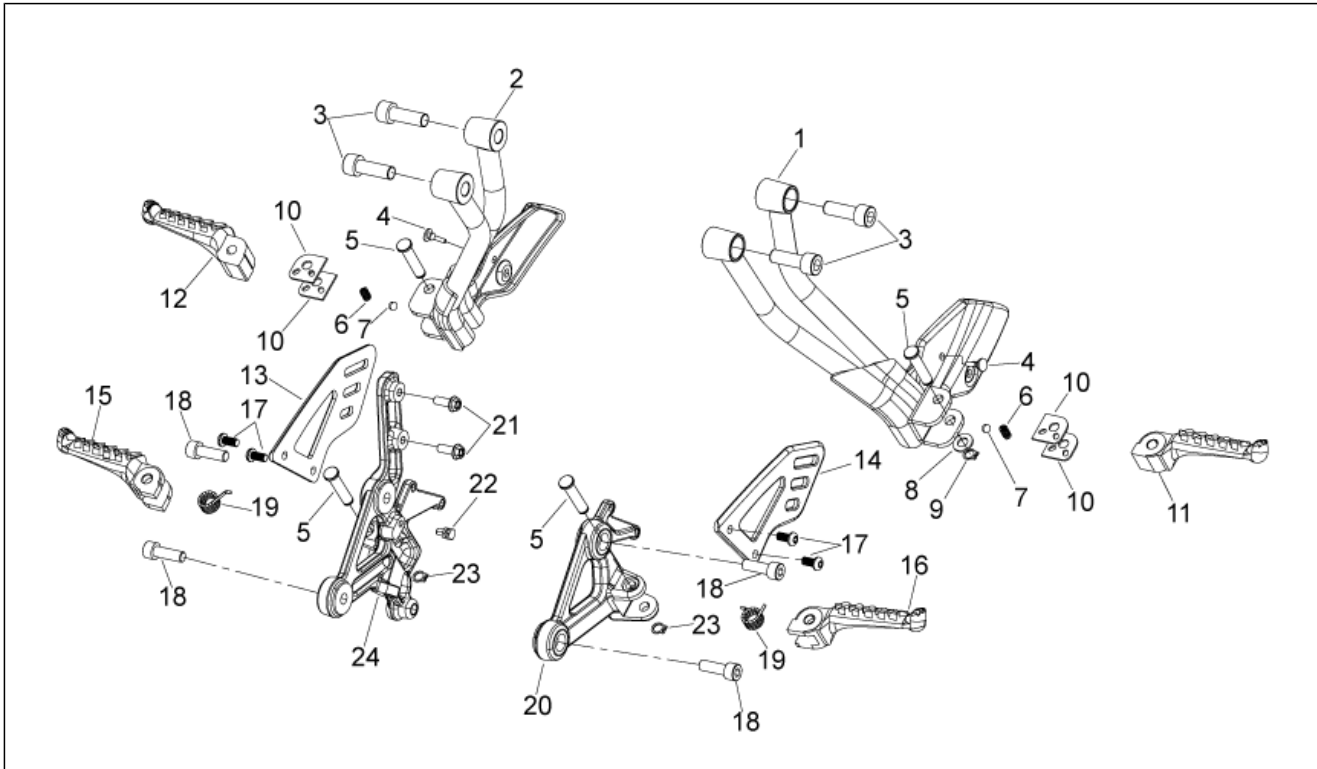
Pos.	Code	Description	Qty	Variants
1	851784	Engine pin	3	
2	AP8150548	Flanged nut M12	3	
3	AP8225237	Washer 12x24x3	3	
4	853036	Spacer	2	
5	853035	Spacer	1	
6	AP8120657	Hose clamp	3	
7	AP8102386	Hose clamp 155x2	1	
8	AP8150044	Hex socket screw M6x20	3	
9	AP8221023	T bush	3	
10	AP8120030	Rubber spacer	3	
11	AP8150509	Self-tap screw 5x14	4	
12	853213	Maintenance	1	
13	AP8120422	Black hose 98x2*	2	

<b>Group</b>	TELAIO
<b>Code</b>	28.03
<b>Description</b>	Saddle support
<b>Service</b>	1



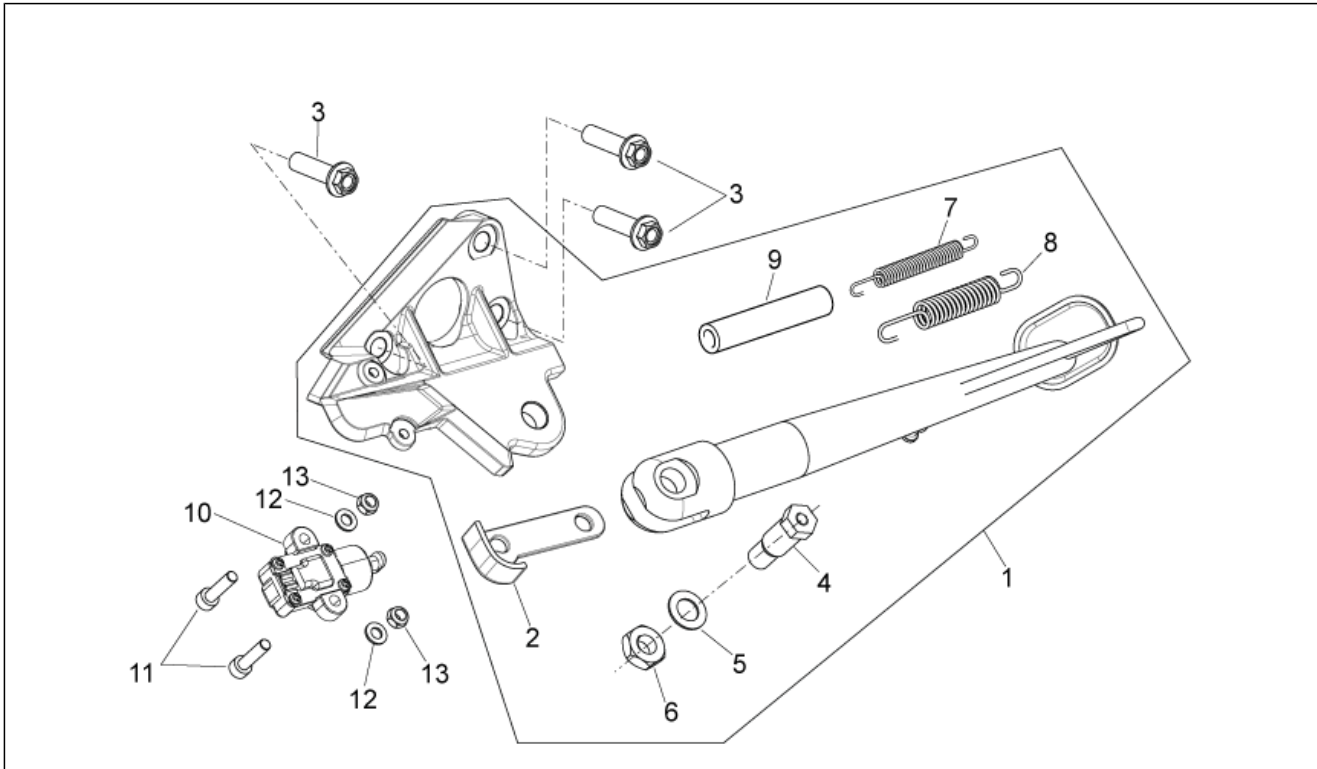
Pos.	Code	Description	Qty	Variants
1	894486	Saddle support	1	
2	851686	Number plate holder support	1	
3	890638	Hex socket screw	2	
4	AP8150107	Hex socket screw M8x30	2	
5	AP8152350	Nut	2	
6	AP8150017	Washer 8,4x16x1,6	4	
7	AP8152286	Screw w/ flange M8x20	2	
8	AP8220349	Rubber spacer	3	
9	AP8102375	Clip m5	3	
10	575268	Spring plate M8	4	
11	851789	Exhaust pipe support clamp	1	
12	AP8152117	Hex socket screw	2	
13	AP8120657	Hose clamp	2	
14	AP8150179	Washer 6,6x18*	1	

<b>Group</b>	TELAIO
<b>Code</b>	28.04
<b>Description</b>	Foot rests
<b>Service</b>	1



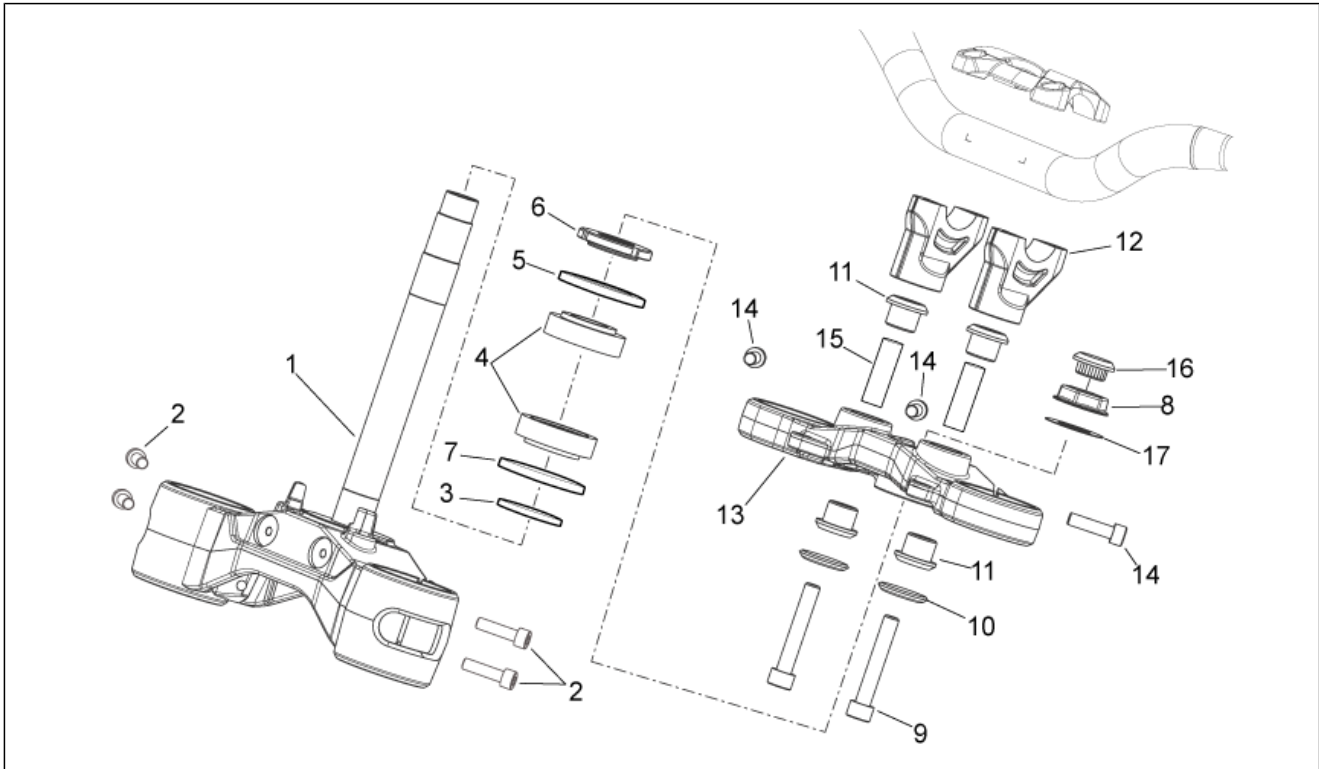
Pos.	Code	Description	Qty	Variants
1	894673	LH footrest support	1	
2	894672	RH footrest support	1	
3	AP8150195	Hex socket screw M10x30	4	
4	293717	Cover	2	
5	AP8121566	Footrest pin	4	
6	AP8121133	Coil compress. spring	2	
7	AP8101861	Ball D6,35	2	
8	AP8150017	Washer 8,4x16x1,6	2	
9	AP8152409	Stop ring	2	
10	AP8134451	Footrest plate	4	
11	AP8146406	Rear footrest, LH	1	
12	AP8146405	Rear footrest, RH	1	
13	895435	Protection RH - Front fairing	1	
14	858788	LH protection	1	
15	AP8146403	RH Foot rests	1	
16	AP8146404	LH Foot rests	1	
17	AP8150537	Hex socket screw M6x12	4	
18	AP8150170	Hex socket screw M8x25	4	
19	AP8121224	Footrest return spring	2	
20	894585	LH front footrest bracket	1	
21	598839	Screw w/ flange	2	
22	859946	Fixing pin	1	
23	AP8152409	Stop ring	2	
24	894584	RH front footrest bracket	1	

<b>Group</b>	TELAIO
<b>Code</b>	28.05
<b>Description</b>	Central stand
<b>Service</b>	1



Pos.	Code	Description	Qty	Variants
1	895478	Sidestand assy	1	
2	851550	Lateral stand plate	1	
3	AP8152288	Screw w/ flange	3	
4	AP8121994	Central stand fixing screw	1	
5	AP8150292	Curved spring washer *	1	
6	AP8152001	Low nut M10x1,25	1	
7	AP8121014	Coil pull spring *	1	
8	AP8121015	Lateral stand external spring	1	
9	AP8102524	Stand spring protection	1	
10	AP8127856	Lateral stand switch	1	
11	AP8150050	Hex socket screw M5x16	2	
12	AP8150177	Washer 5,3X10X1	2	
13	AP8150311	Low self-locking nut	2	

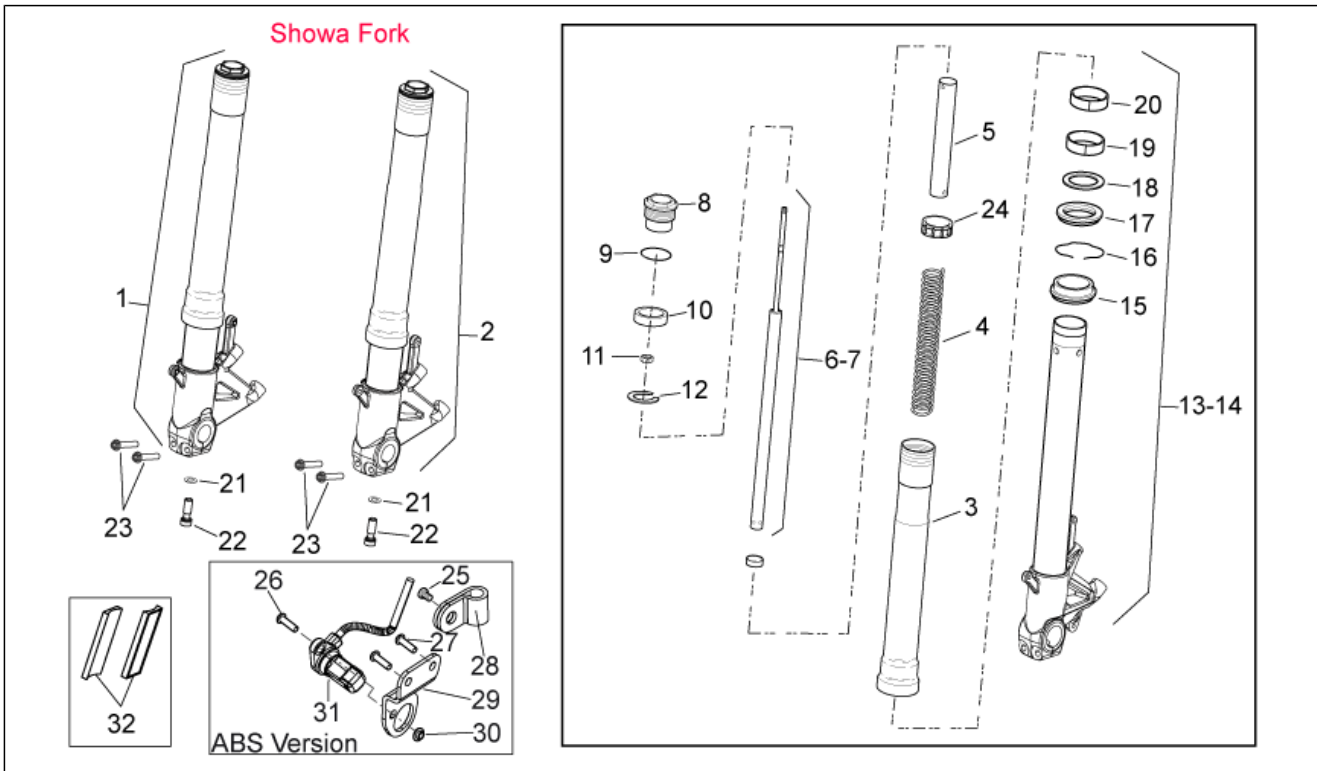
<b>Group</b>	TELAIO
<b>Code</b>	28.06
<b>Description</b>	Steering
<b>Service</b>	1



Pos.	Code	Description	Qty	Variants
1	CM222601	Lower fork plate	1	
2	AP8150540	Screw	4	
3	897648	Washer	1	
4	AP8110106	Roller bearing	2	
5	AP8144146	Gasket ring	1	
6	AP8163500	Ring nut	1	
7	AP9100205	Lower Gasket ring	1	
8	853470	Plug	1	
9	AP8150049	screw M10x60	2	
10	AP8123511	Cup	2	
11	AP8144222	Rubber spacer	4	
12	851902	Lower U-bolt	2	
13	897766	Fork upper plate	1	
14	AP8150540	Screw	3	
15	854827	Spacer 10,1x14,1x38	2	
16	AP8161088	Handlebar plate plug	1	
17	AP8152442	Stem plug washer	1	

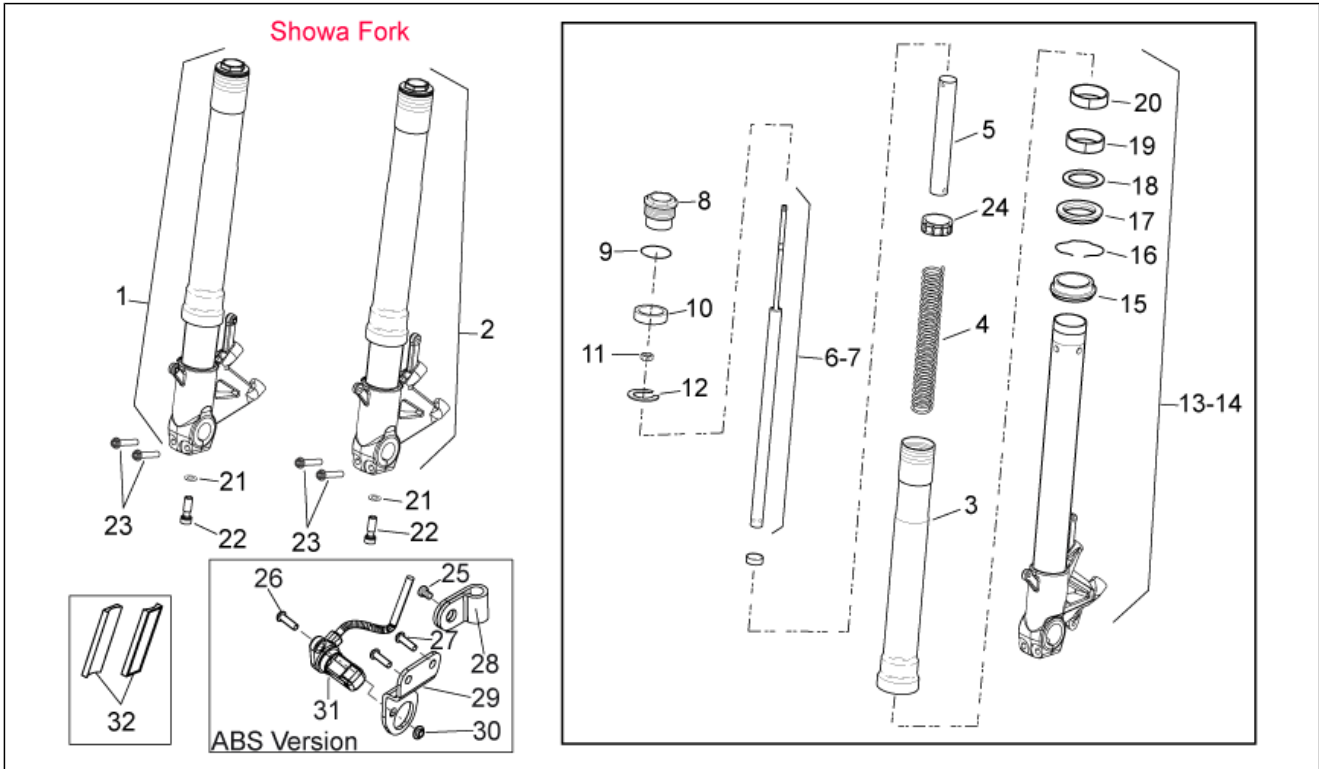


<b>Group</b>	TELAIO
<b>Code</b>	28.07
<b>Description</b>	Front fork
<b>Service</b>	1



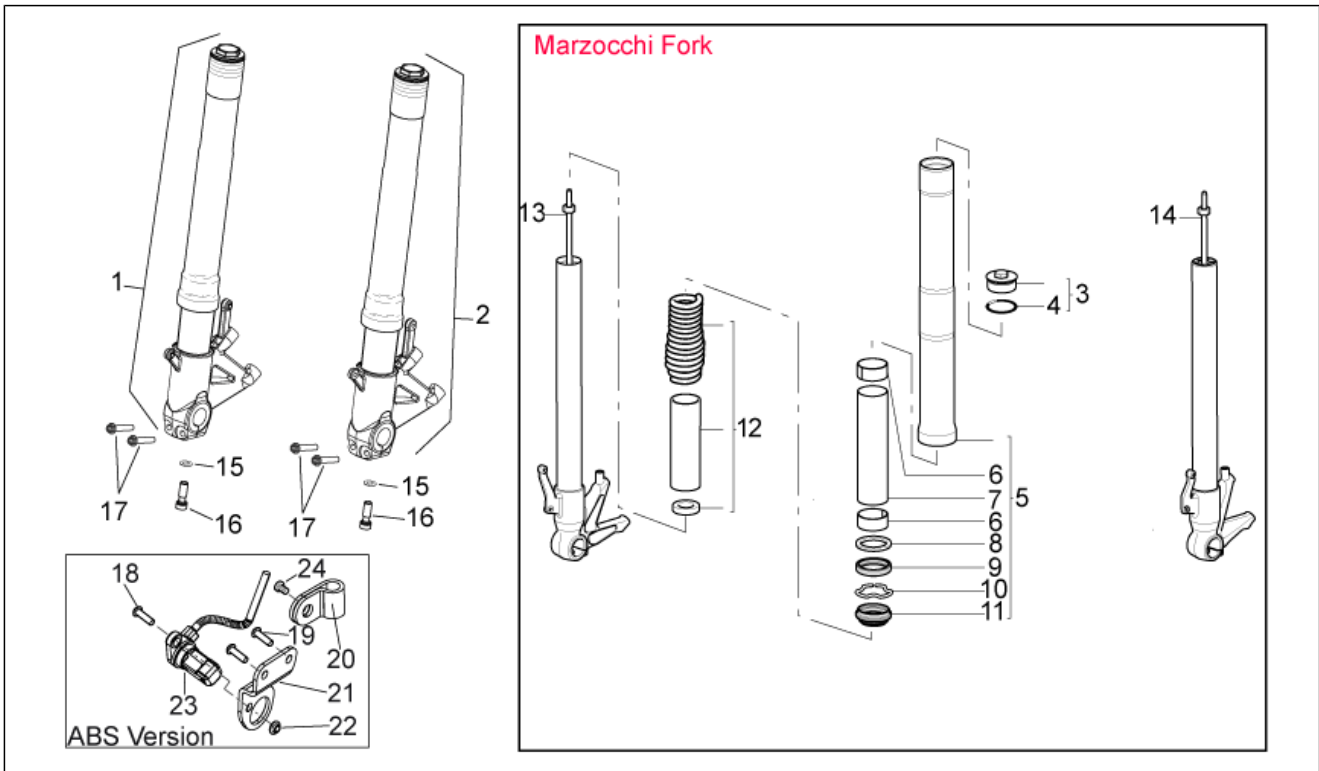
Pos.	Code	Description	Qty	Variants
1	859982	RH hub cpl.	1	
2	859983	LH hub cpl.	1	
3	856029	Sleeve	2	
4	856030	Spring	2	
5	856549	Preload tube	2	
6	856245	RH plunger, complete	2	
7	856032	LH plunger, complete	2	
8	856033	Sleeve plug cpl.	2	
9	856034	O-ring	2	
10	856035	Rubber ring	2	
11	856036	Nut	2	
12	856037	Stop ring	2	
13	856038	Hub+RH fork leg	1	
14	856039	Hub+LH fork leg	1	
15	856040	Dust cover	2	
16	856041	Circlip	2	
17	856042	Oil seal	2	
18	856043	Ring	2	
19	856044	Spring guide bush	2	
20	856045	Bush	2	
21	856046	Special washer	2	
22	856047	screw M10x1,5	2	
23	AP8152290	Screw w/ flange M8x40	4	
24	856317	Spring centering	2	
25	AP8201749	Screw M4x6	1	Technical specification:ABS Version[ABS]
26	AP8152273	Screw w/ flange M5x15	1	Technical specification:ABS Version[ABS]
27	AP8150298	Hex socket screw	2	Technical specification:ABS Version[ABS]
28	859777	Fairlead	1	Technical specification:ABS Version[ABS]

<b>Group</b>	TELAIO
<b>Code</b>	28.07
<b>Description</b>	Front fork
<b>Service</b>	1



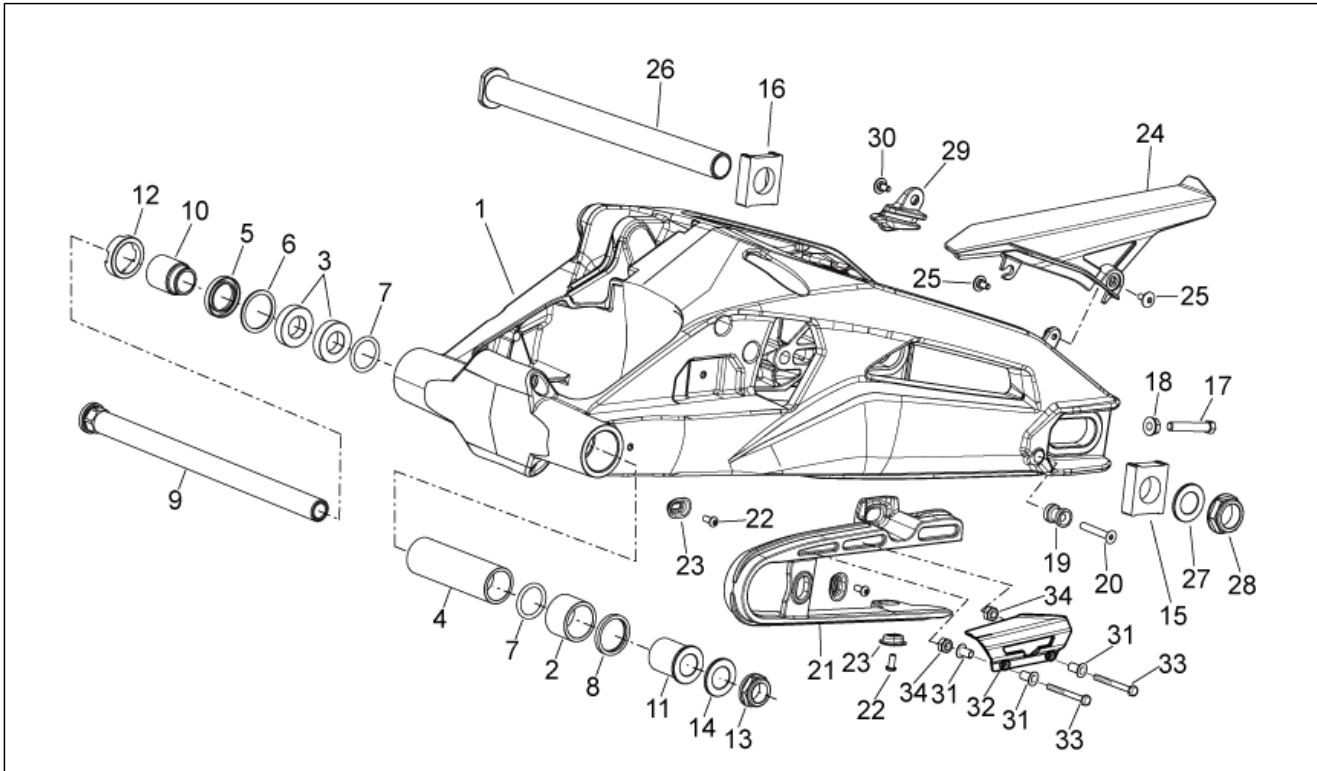
Pos.	Code	Description	Qty	Variants
29	856557	Front plate	1	<b>Technical specification:</b> ABS Version[ABS]
30	AP8152306	Self-locking nut m5	1	<b>Technical specification:</b> ABS Version[ABS]
31	859792	Sensor ABS	1	<b>Technical specification:</b> ABS Version[ABS]
32	GU05781630	Reflector, amber	2	

<b>Group</b>	TELAIO
<b>Code</b>	28.08
<b>Description</b>	Fron fork II
<b>Service</b>	1



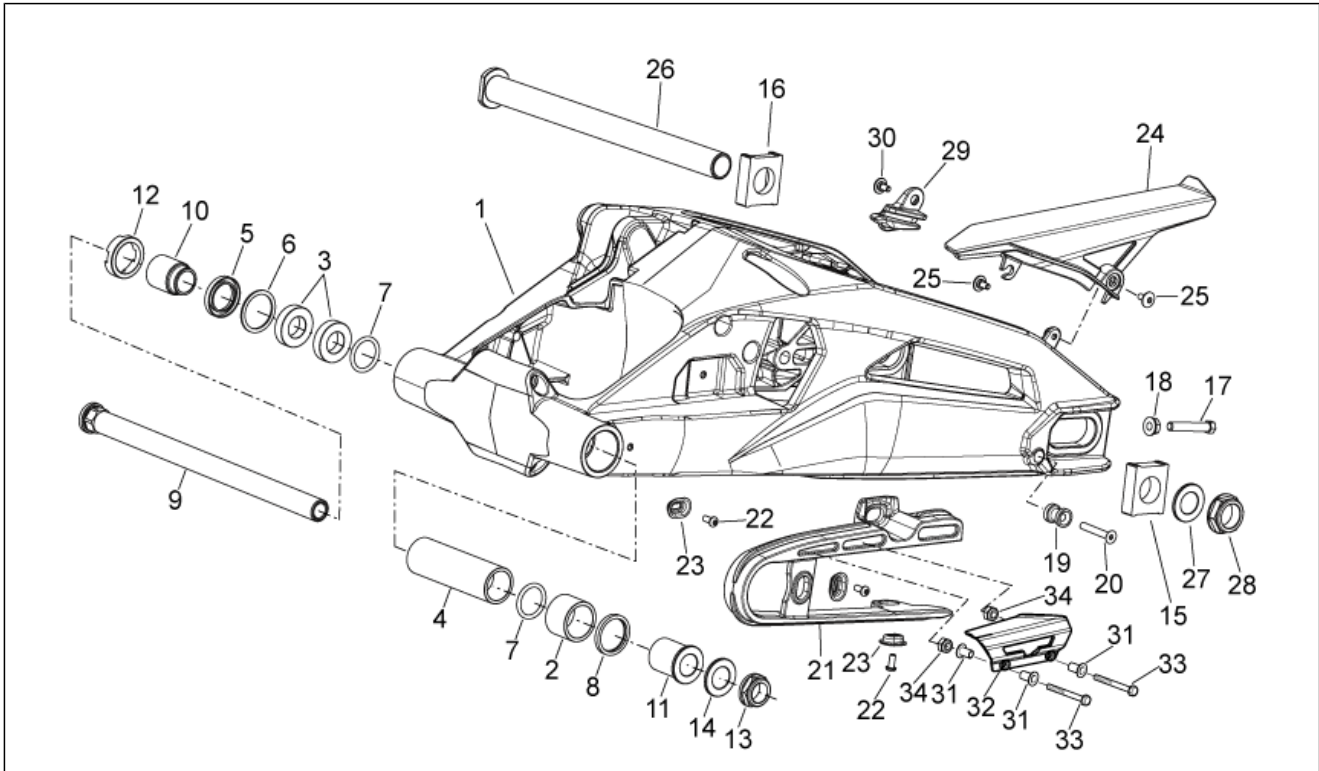
Pos.	Code	Description	Qty	Variants
1	897528	RH hub cpl.	1	
2	897529	LH hub cpl.	1	
3	897984	Sleeve plug cpl.	2	
4	897985	O-ring	2	
5	897986	Sleeve D43	2	
6	897987	Bush	4	
7	897988	pipe	2	
8	897989	Ring	2	
9	AP8163133	Oil seal	2	
10	AP8163134	Circlip	2	
11	897990	Dust cover	2	
12	897991	Spring kit + preload tube	1	
13	897992	Hub+RH fork leg	1	
14	897993	Hub+LH fork leg	1	
15	856046	Special washer	2	
16	856047	screw M10x1,5	2	
17	AP8152290	Screw w/ flange M8x40	4	
18	AP8152273	Screw w/ flange M5X15	1	Technical specification:ABS Version[ABS]
19	AP8150298	Hex socket screw	2	Technical specification:ABS Version[ABS]
20	859777	Fairlead	1	Technical specification:ABS Version[ABS]
21	856557	Front plate	1	Technical specification:ABS Version[ABS]
22	AP8152306	Self-locking nut m5	1	Technical specification:ABS Version[ABS]
23	859792	Sensor ABS	1	Technical specification:ABS Version[ABS]
24	AP8201749	Screw M4x6	1	Technical specification:ABS Version[ABS]

<b>Group</b>	TELAIO
<b>Code</b>	28.09
<b>Description</b>	Swing arm
<b>Service</b>	1



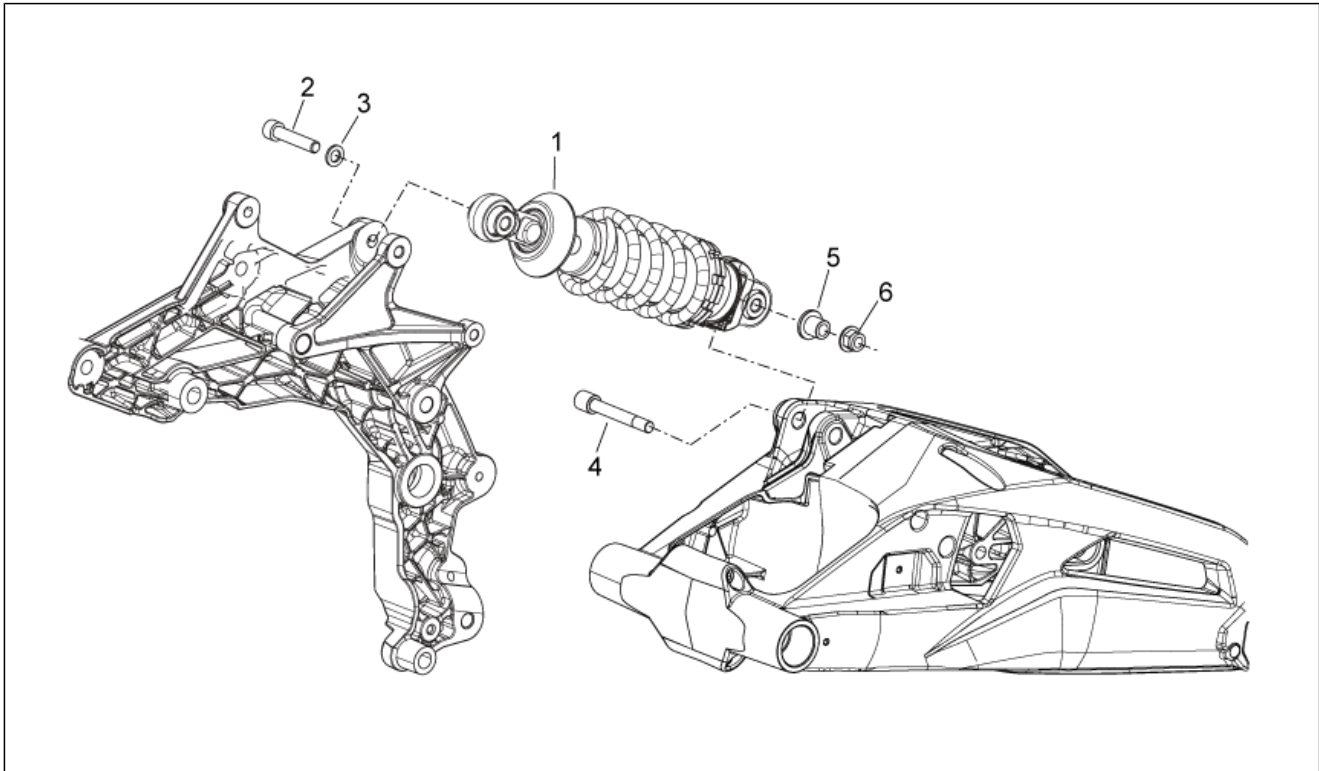
Pos.	Code	Description	Qty	Variants
1	85178200XE3	Swing arm, grey	1	
2	AP8110078	Cage à rouleaux	1	
3	AP8110079	Ball bearing	2	
4	AP8121570	Internal spacer	1	
5	AP8144006	Gasket ring	1	
6	AP8121204	Inside circlip d37	1	
7	AP8144048	O-ring 134	2	
8	AP8144005	Gasket ring	1	
9	AP8146520	Rear swing arm pin	1	
10	AP8121200	Adjustment bush	1	
11	AP8121203	Rear int.sw.arm piv.bush	1	
12	AP8121201	Swing arm ring nut	1	
13	AP8125763	Rear wheel spindle nut	1	
14	AP8125687	Wheel pin washer	1	
15	AP8144443	LH chain guide plate	1	
16	AP8144444	RH chain guide plate	1	
17	AP8152305	Chain tens.adjuster screw	2	
18	AP8150334	Nut M8	2	
19	AP8121890	Rear stand bush	2	
20	AP8150468	Screw M6x40	2	
21	896494	Chain guide plate	1	
22	AP8152174	Hex socket screw	3	
23	AP8234020	Cup for shoe	3	
24	851557	Chain guard	1	
25	AP8152267	Hex socket screw M5x12	2	
26	AP8125831	Rear wheel spindle	1	
27	AP8152323	Washer 25,2x36x1	1	
28	AP8152324	Wheel spindle nut M25x1,5	1	

<b>Group</b>	TELAIO
<b>Code</b>	28.09
<b>Description</b>	Swing arm
<b>Service</b>	1



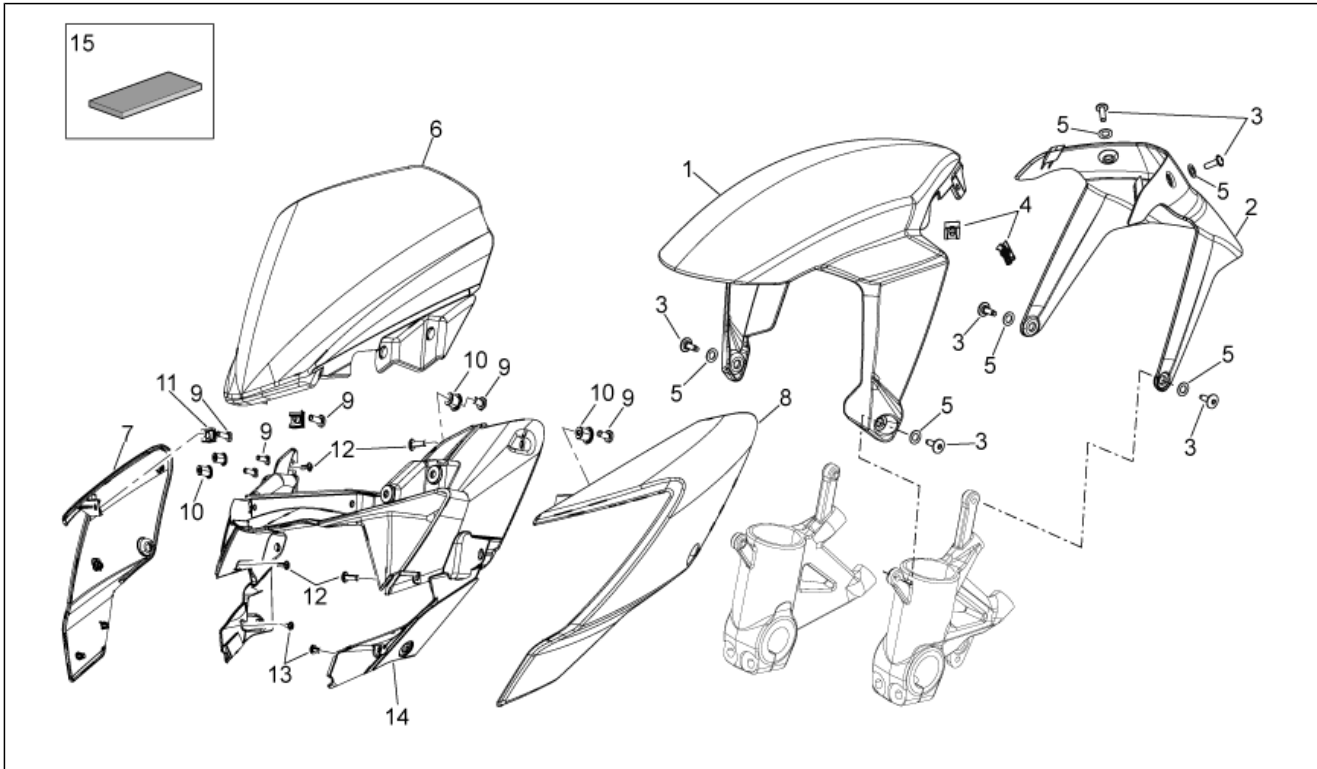
Pos.	Code	Description	Qty	Variants
29	854817	Sliding block	1	
30	AP8152267	Hex socket screw M5x12	1	
31	AP8121725	T bush *	4	
32	896495	Chain guard	1	
33	AP8152136	Hex socket screw	2	
34	AP8150430	Low self-locking nut	2	

<b>Group</b>	TELAIO
<b>Code</b>	28.10
<b>Description</b>	Rear shock absorber
<b>Service</b>	1



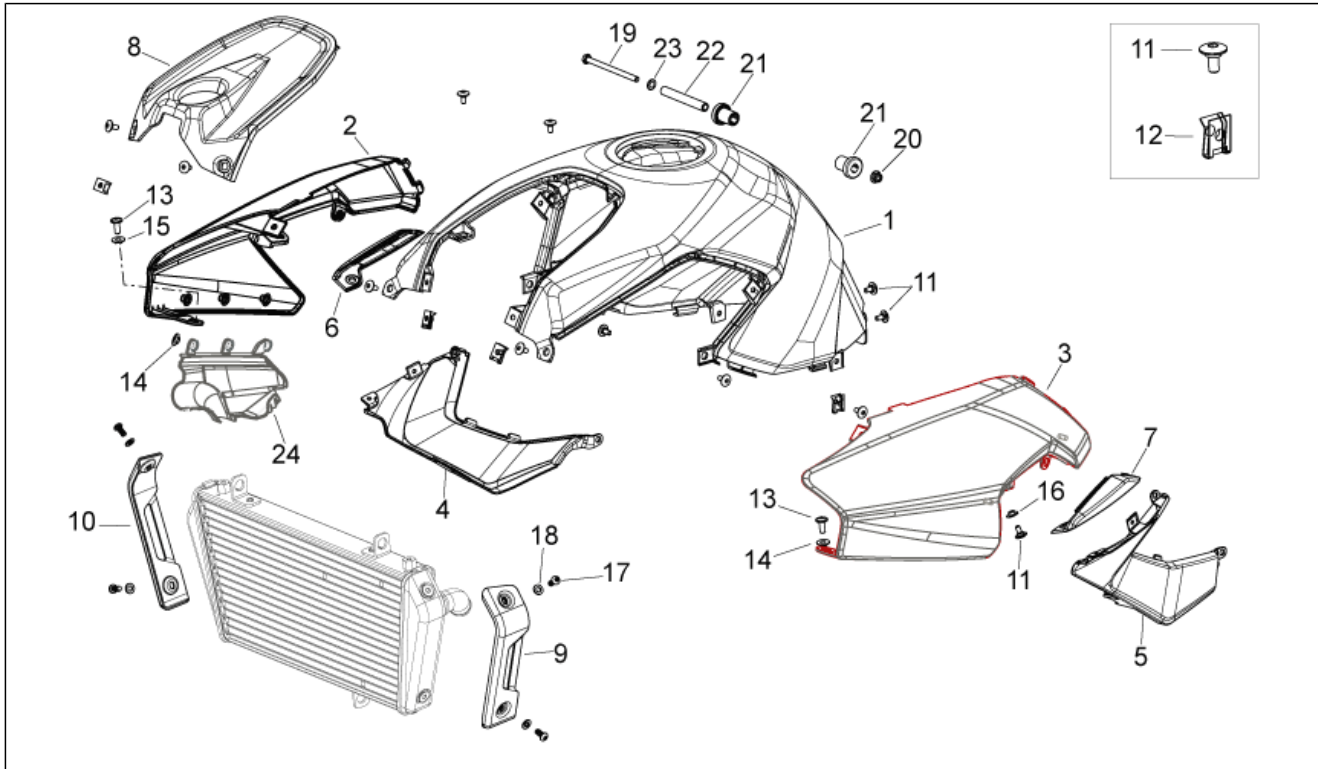
Pos.	Code	Description	Qty	Variants
1	860169	Shock absorber	1	Year:2012[C] Vehicle colour:Crowd Silver[sil]
1	860169	Shock absorber	1	Year:2011[B]
1	B044563	Shock absorber	1	Year:2012[C], 2013[D] Vehicle colour:Aprilia Black[bl], Glam white[white]
2	AP8150329	Hex socket screw	1	
3	AP8152176	Washer 10,5X18X2*	1	
4	AP8152411	Hex socket screw M10x59	1	
5	AP8121155	T bush *	1	
6	AP8152301	Self-locking nut	1	

<b>Group</b>	TELAIO
<b>Code</b>	28.11
<b>Description</b>	Front body - Front mudguard
<b>Service</b>	1



Pos.	Code	Description	Qty	Variants
1	86054000XN5	Front mudguard, black	1	Vehicle colour:Glam white[white]
1	86054000XR4	Front mudguard, red	1	Vehicle colour:Aprilia Black[bl], Crowd Silver[sil] Technical specification:Without decals applied[ND]
2	85166600XN3	Front mudguard rear side black	1	
3	AP8152339	Screw w/ flange M5x9	6	
4	AP8102375	Clip m5	2	
5	AP8150376	Washer 8,5x15x0,8	6	
6	895992	Windshield	1	
7	89599300XE4	RH side panel, silver	1	Vehicle colour:Crowd Silver[sil] Technical specification:Without decals applied[ND]
7	89599300XN5	black painted cup. right side cover	1	Vehicle colour:Glam white[white]
7	89599300XR4	RH side panel, red	1	Vehicle colour:Aprilia Black[bl] Technical specification:Without decals applied[ND]
8	89599400XE4	LH side panel, silver	1	Vehicle colour:Crowd Silver[sil] Technical specification:Without decals applied[ND]
8	89599400XN5	black painted cup. left side cover	1	Vehicle colour:Glam white[white]
8	89599400XR4	LH side panel, red	1	Vehicle colour:Aprilia Black[bl] Technical specification:Without decals applied[ND]
9	AP8150359	Screw	6	
10	AP8144564	Rubber w/ insert M4	4	
11	AP8102381	Clip M4	2	
12	AP8150413	Self-tap screw 3,9x14	4	
13	AP8150420	Self-tapping screw *	2	
14	895995	Central dashboard - Front f.	1	
15	AP8117033	Adhesive sponge	3	

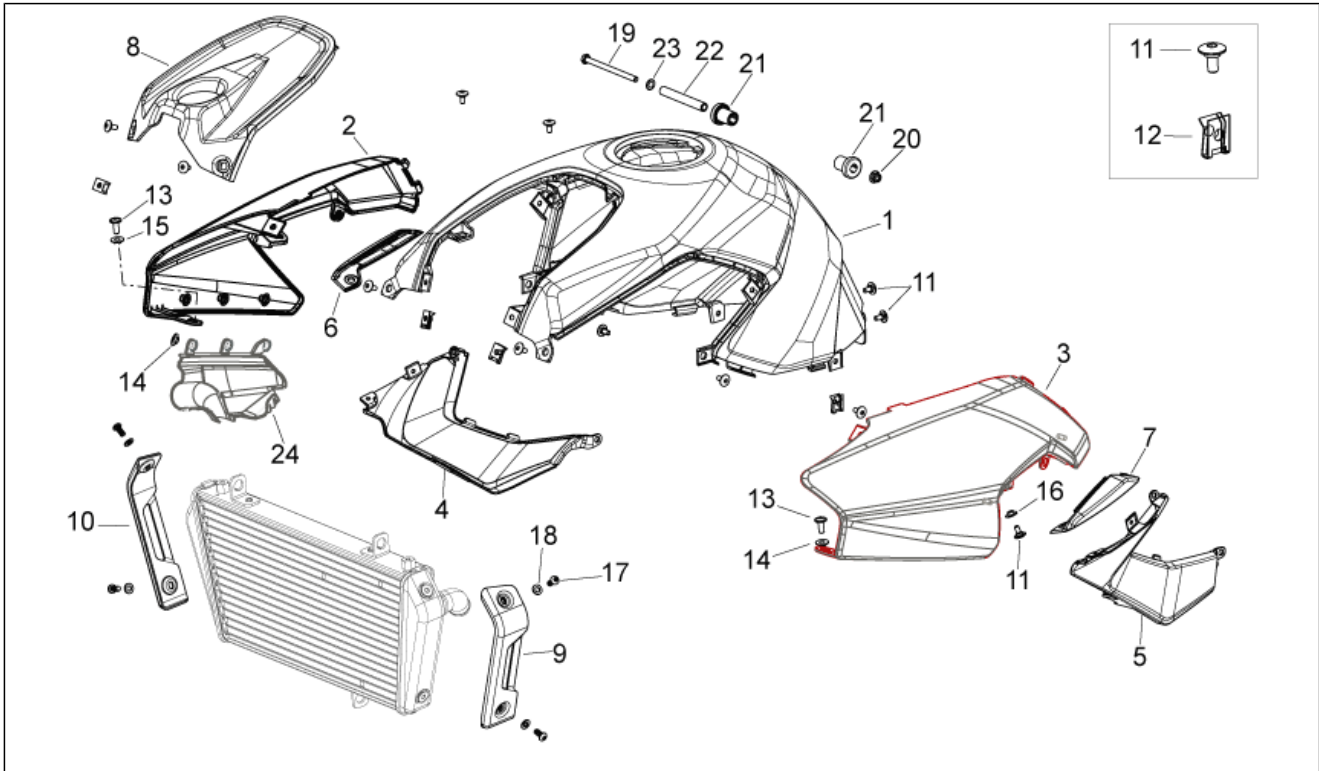
<b>Group</b>	TELAIO
<b>Code</b>	28.12
<b>Description</b>	Central body
<b>Service</b>	1



Pos.	Code	Description	Qty	Variants
1	85166100BM	Fuel tank cover, white	1	Vehicle colour:Glam white[white]
1	85166100XE4	Fuel tank cover, grey	1	Vehicle colour:Crowd Silver[sil] Technical specification:Without decals applied[ND]
1	85166100XN5	Fuel tank cover, black	1	Vehicle colour:Aprilia Black[bl] Technical specification:Without decals applied[ND]
2	89599600XN5	RH air duct, black	1	Vehicle colour:Glam white[white] Technical specification:Without decals applied[ND]
2	89599600XR4	RH air duct, red	1	Vehicle colour:Aprilia Black[bl], Crowd Silver[sil] Technical specification:Without decals applied[ND]
3	89599700XN5	LH air duct, black	1	Vehicle colour:Glam white[white] Technical specification:Without decals applied[ND]
3	89599700XR4	LH air duct, red	1	Vehicle colour:Aprilia Black[bl], Crowd Silver[sil] Technical specification:Without decals applied[ND]
4	895917	RH side cover	1	
5	895918	LH side cover	1	
6	851663	RH bumper	1	
7	851664	LH bumper	1	
8	851662	Cover	1	
9	851650	LH water cooler protection	1	
10	851649	RH water cooler protection	1	
11	AP8152339	Screw w/ flange M5x9	14	
12	AP8102375	Clip m5	12	
13	AP8152246	Screw w/ flange M6x16	2	
14	AP8121032	Bush	2	
15	AP8121795	T bush	1	
16	843213	T bush	2	
17	AP8150537	Hex socket screw M6x12	4	
18	AP8150380	Washer 12,5x6,4*	4	
19	AP8150459	Hex screw M6x90	1	

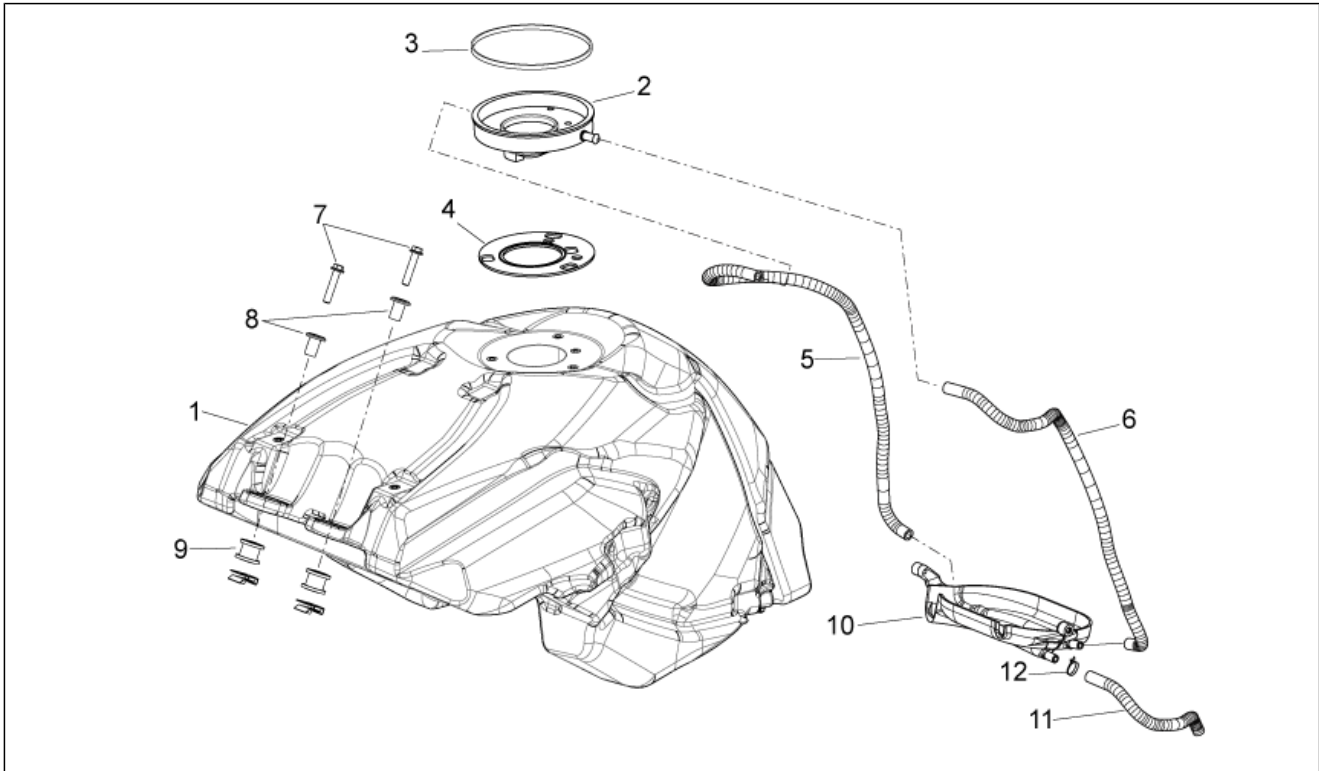


<b>Group</b>	TELAIO
<b>Code</b>	28.12
<b>Description</b>	Central body
<b>Service</b>	1



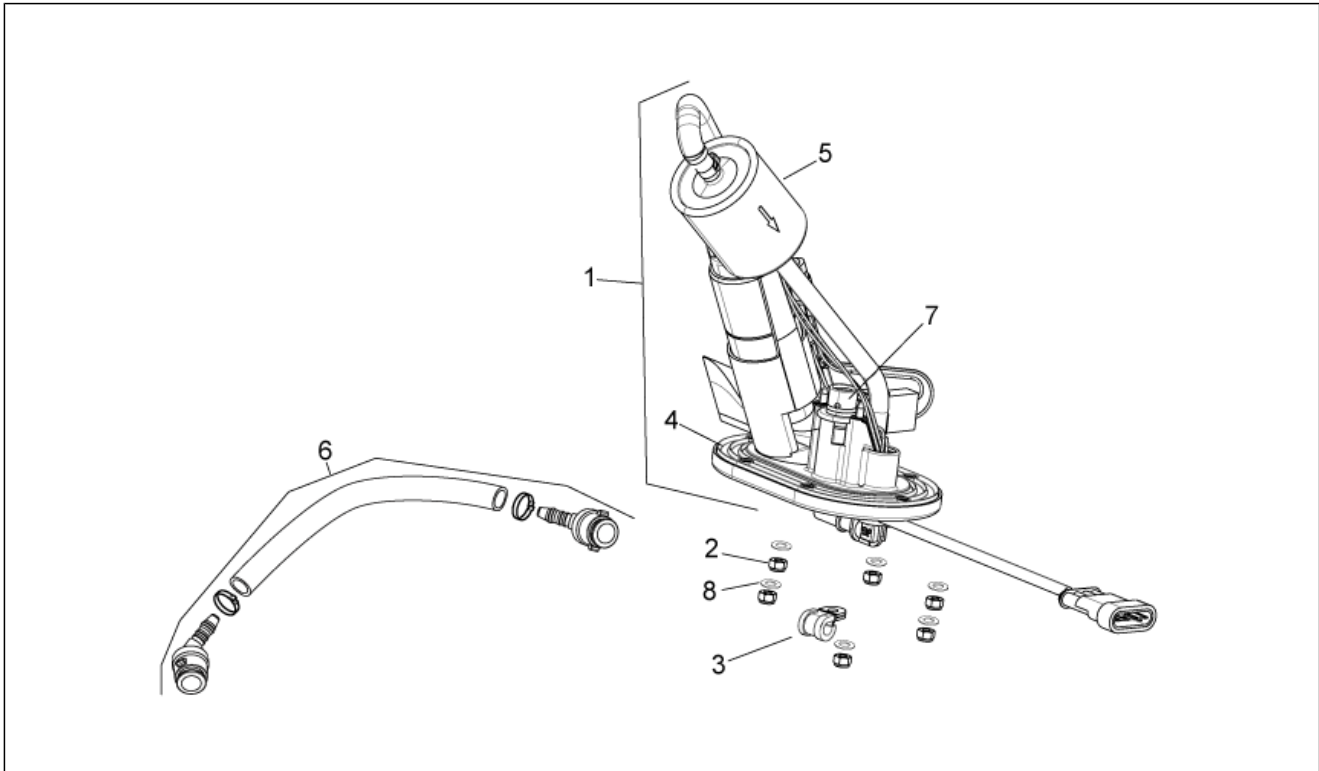
Pos.	Code	Description	Qty	Variants
20	AP8152299	Self-locking nut M6	1	
21	AP8123934	Rubber spacer	2	
22	AP8134419	Fuel tank bush	1	
23	AP8150014	Washer 6,4x12,5*	1	
24	895556	RH cover, black	1	

<b>Group</b>	TELAIO
<b>Code</b>	28.13
<b>Description</b>	Fuel tank
<b>Service</b>	1



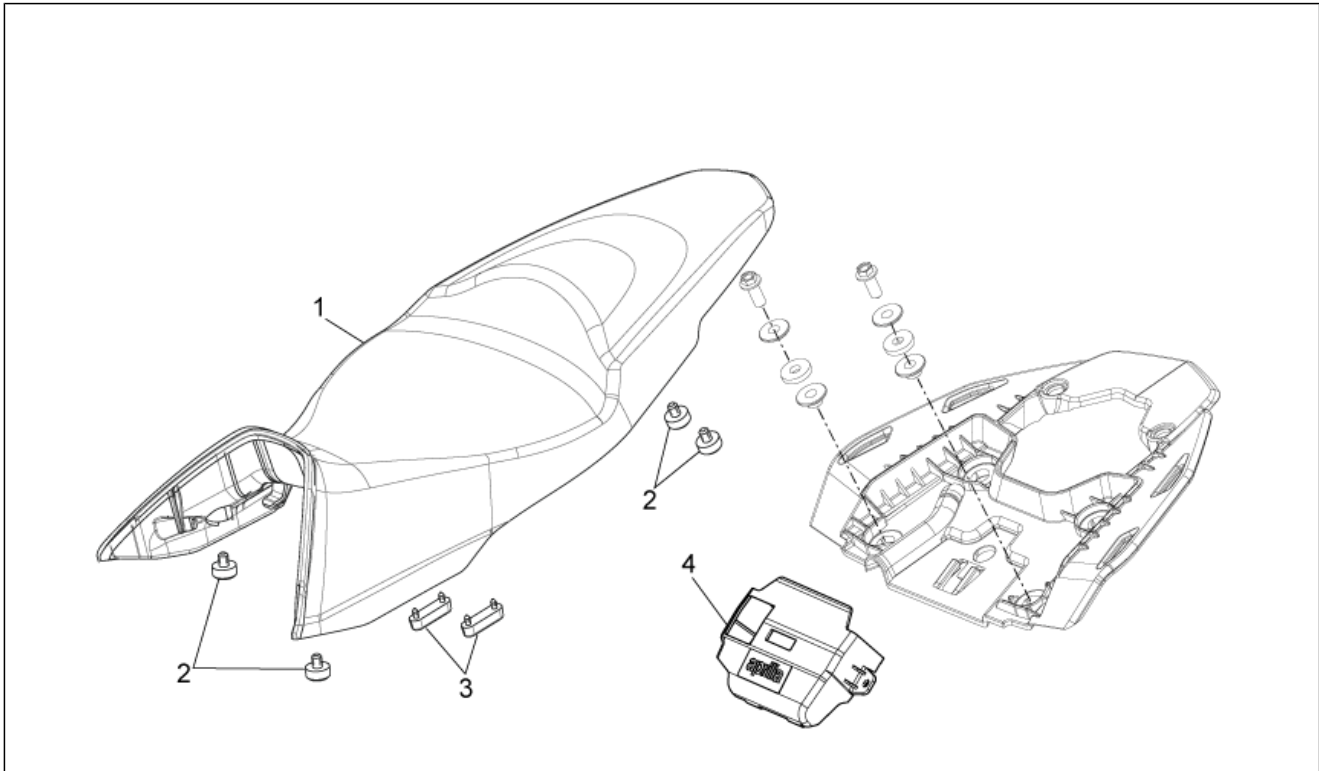
Pos.	Code	Description	Qty	Variants
1	896366	***FUEL TANK	1	
2	AP8102676	Float chamber	1	
3	AP8120893	Cap seal	1	
4	AP8144351	Fuel tank gasket	1	
5	854809	Breather pipe	1	
6	854810	Breather pipe	1	
7	AP8152281	Screw w/ flange M6x30	2	
8	AP8121421	T bush	2	
9	AP8144328	Rubber spacer	2	
10	860069	Fuel glass cup	1	
11	890498	Oil breather pipe D6x11	1	
12	AP8102378	Hose clamp D11,3	1	

<b>Group</b>	TELAIO
<b>Code</b>	28.14
<b>Description</b>	Fuel pump
<b>Service</b>	1



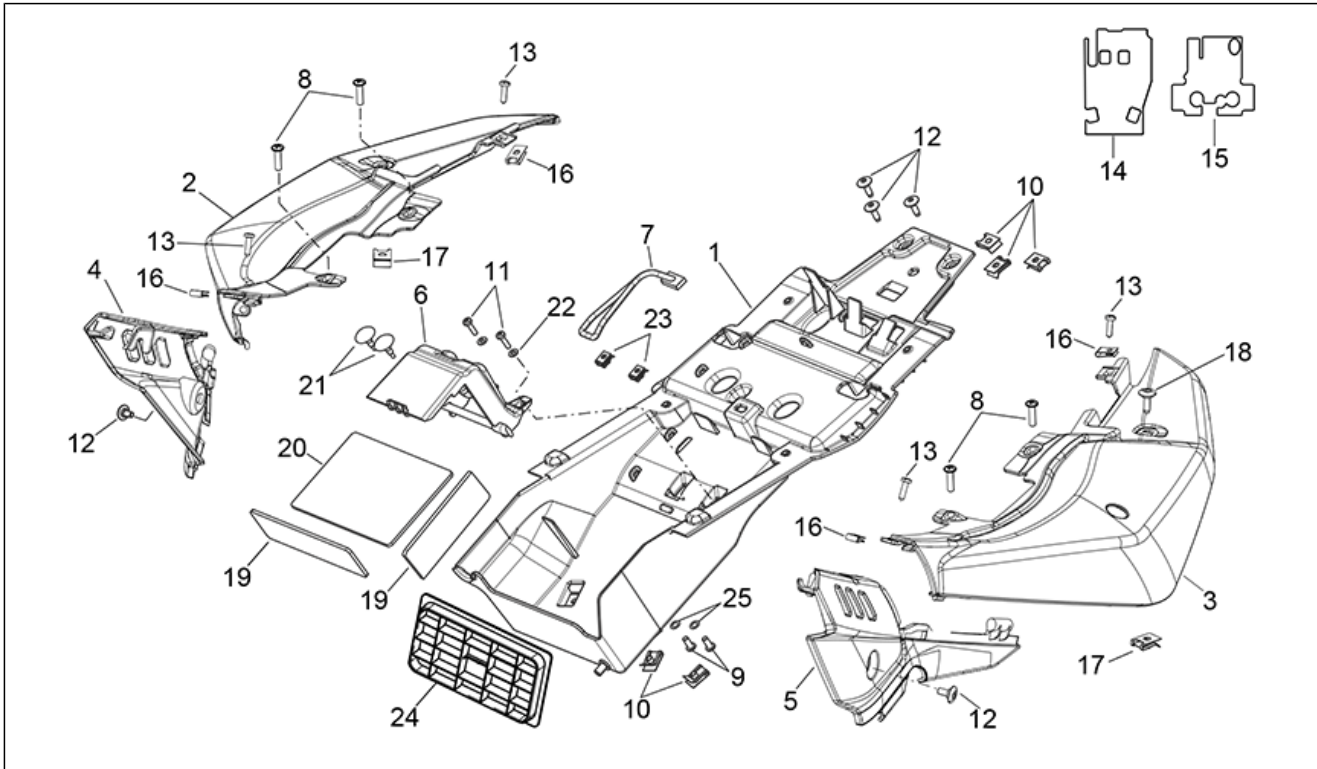
Pos.	Code	Description	Qty	Variants
1	898259	Fuel pump cpl.	1	
2	AP8150451	Low self-locking nut	6	
3	AP8134167	Brake hose hanger	1	
4	GU01107490	Gasket	1	
5	GU01106090	Fuel filter	1	
6	875995	Delivery fuel pipe	1	
7	893743	Fuel level sensor	1	
8	AP8150382	Washer 15x5,5X1,2	6	

<b>Group</b>	TELAIO
<b>Code</b>	28.15
<b>Description</b>	Saddle
<b>Service</b>	1



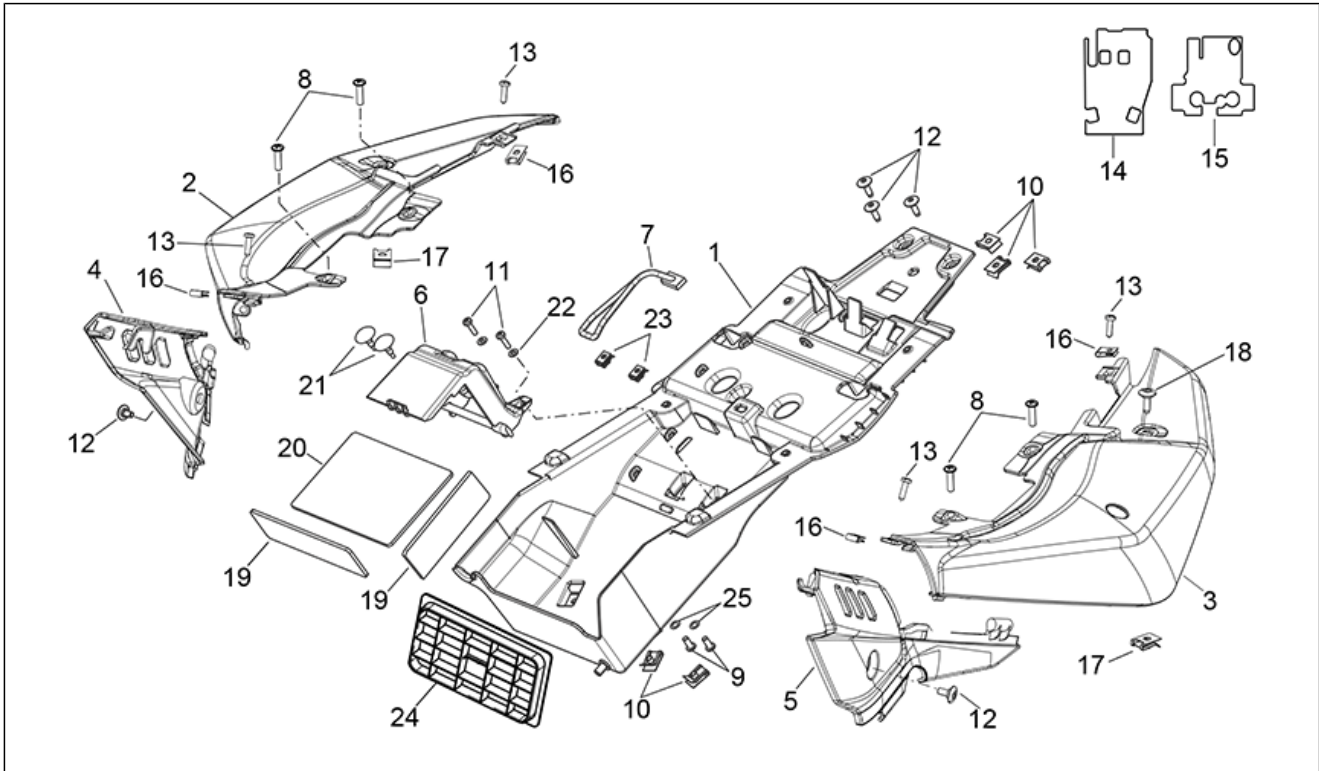
Pos.	Code	Description	Qty	Variants
1	89533700A1	Saddle, black (two p)	1	Year:2012[C] Vehicle colour:Crowd Silver[sil]
1	89533700A1	Saddle, black (two p)	1	Year:2011[B]
1	89533700A2	Two-seat saddle	1	Year:2012[C], 2013[D] Vehicle colour:Aprilia Black[bl], Glam white[white]
2	AP8220349	Rubber spacer	4	
3	AP8126701	Saddle rubber	2	
4	858213	Cover	1	

<b>Group</b>	TELAIO
<b>Code</b>	28.16
<b>Description</b>	Rear body I
<b>Service</b>	1



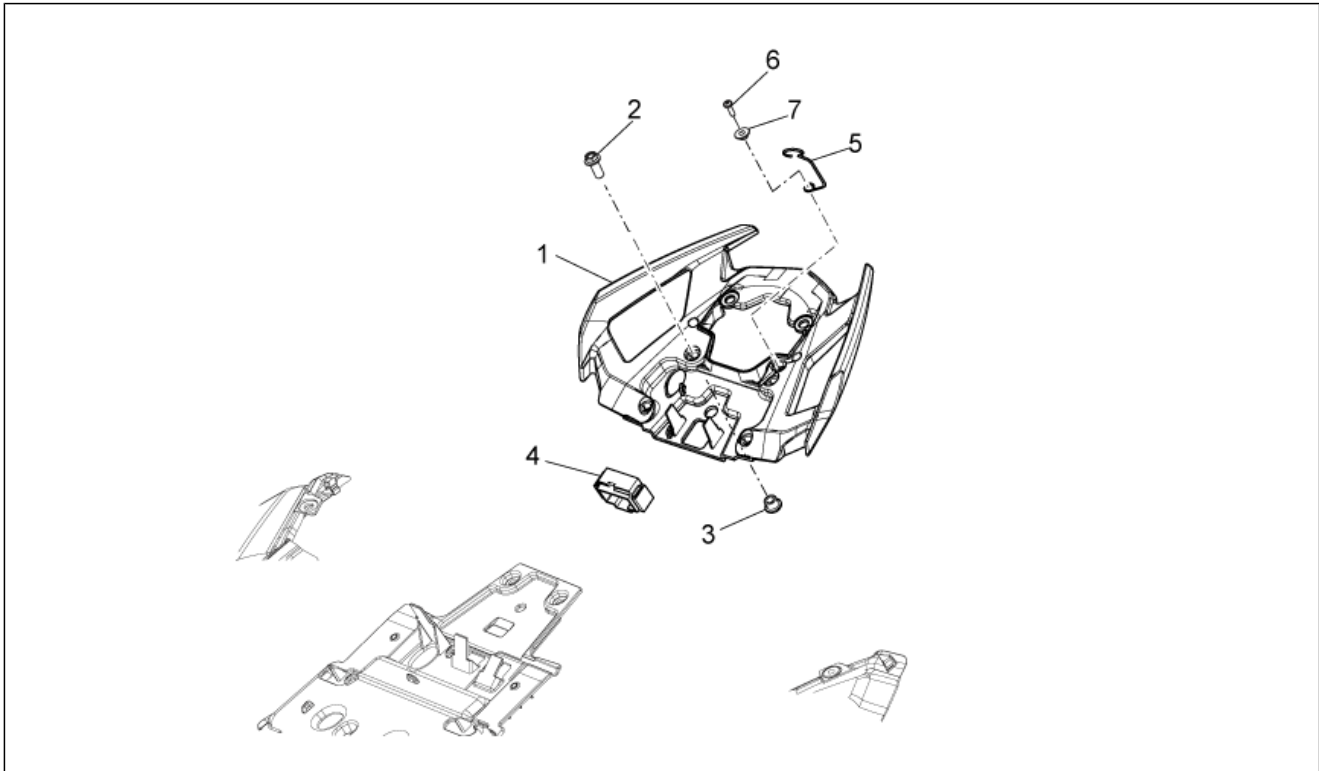
Pos.	Code	Description	Qty	Variants
1	851672	Saddle compartment	1	
2	89704700BM	RH rear fairing, white	1	Vehicle colour:Glam white[white]
2	89704700XE4	RH rear fairing, grey	1	Vehicle colour:Crowd Silver[sil] Technical specification:Without decals applied[ND]
2	89704700XN5	RH rear fairing, black	1	Vehicle colour:Aprilia Black[bl] Technical specification:Without decals applied[ND]
3	89704600BM	LH rear fairing, white	1	Vehicle colour:Glam white[white]
3	89704600XE4	LH rear fairing, grey	1	Vehicle colour:Crowd Silver[sil] Technical specification:Without decals applied[ND]
3	89704600XN5	LH rear fairing, black	1	Vehicle colour:Aprilia Black[bl] Technical specification:Without decals applied[ND]
4	895921	RH side panel	1	
5	895922	LH side panel	1	
6	851656	Battery cover	1	
7	AP8120177	Headlight supp.snap	1	
8	AP8152329	Phillips screw, SWP M5x20	6	
9	AP8152273	Screw w/ flange M5X15	2	
10	AP8102375	Clip m5	7	
11	AP8121184	Screw M4x14	2	
12	AP8152267	Hex socket screw M5x12	5	
13	AP8150362	Self-tapping screw *	4	
14	851676	Heat protection	1	
15	854983	Heat protection	1	
16	AP8202449	Clip	4	
17	AP8102375	Clip m5	2	
18	AP8152302	Screw w/ flange M5x12	2	
19	AP8144552	Support rubber part	2	
20	856318	Support rubber part	1	
21	AP8120001	Rubber spacer	2	

<b>Group</b>	TELAIO
<b>Code</b>	28.16
<b>Description</b>	Rear body I
<b>Service</b>	1



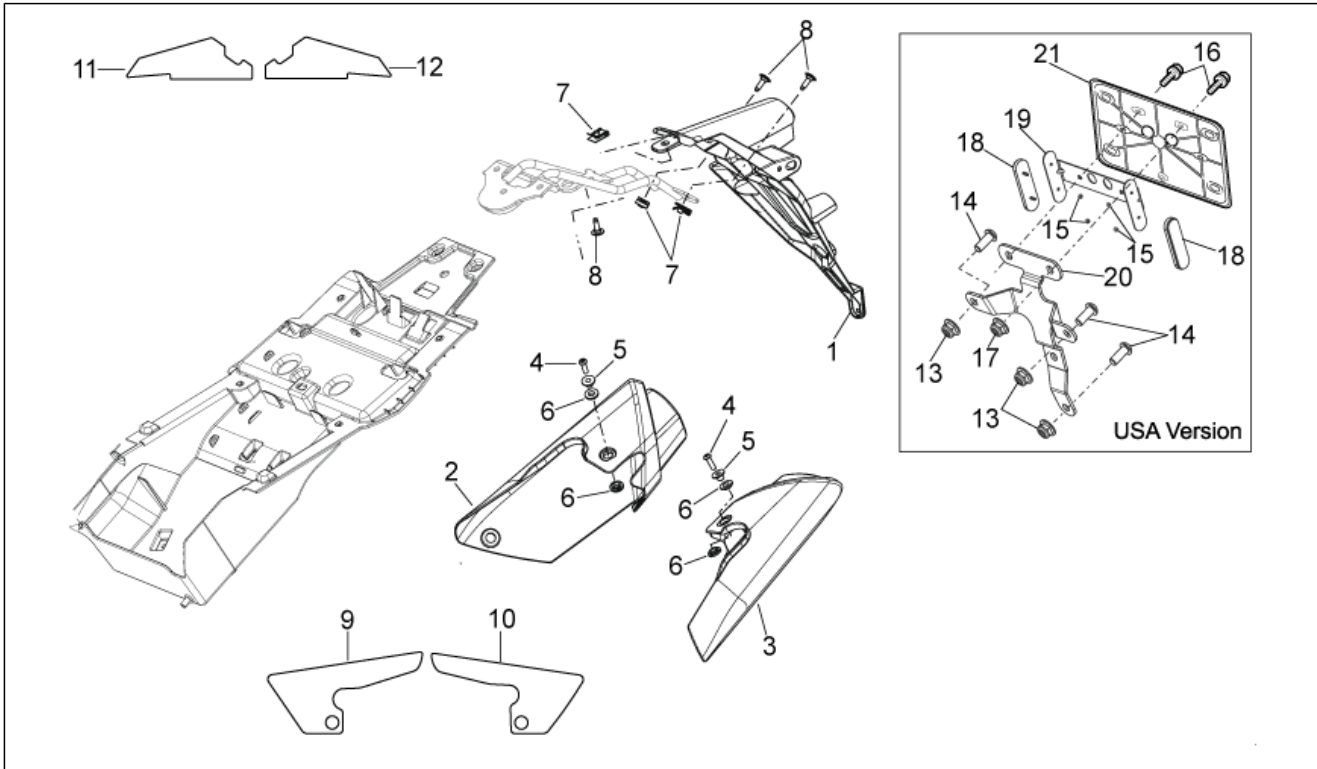
Pos.	Code	Description	Qty	Variants
22	AP8150158	Washer 4,3X9X0,8	2	
23	AP8102381	Clip M4	2	
24	654139	Battery adapter	1	
25	AP8150012	Washer 5,3x10x1*	2	

<b>Group</b>	TELAIO
<b>Code</b>	28.17
<b>Description</b>	Rear body II
<b>Service</b>	1



Pos.	Code	Description	Qty	Variants
1	858074	Rear handle	1	
2	AP8152288	Screw w/ flange	4	
3	895871	T bush	2	
4	858212	Rubber fuse box	1	
5	AP8221206	Helmet holder hook	1	
6	AP8150413	Self-tap screw 3,9x14	1	
7	AP8221129	Bush	1	

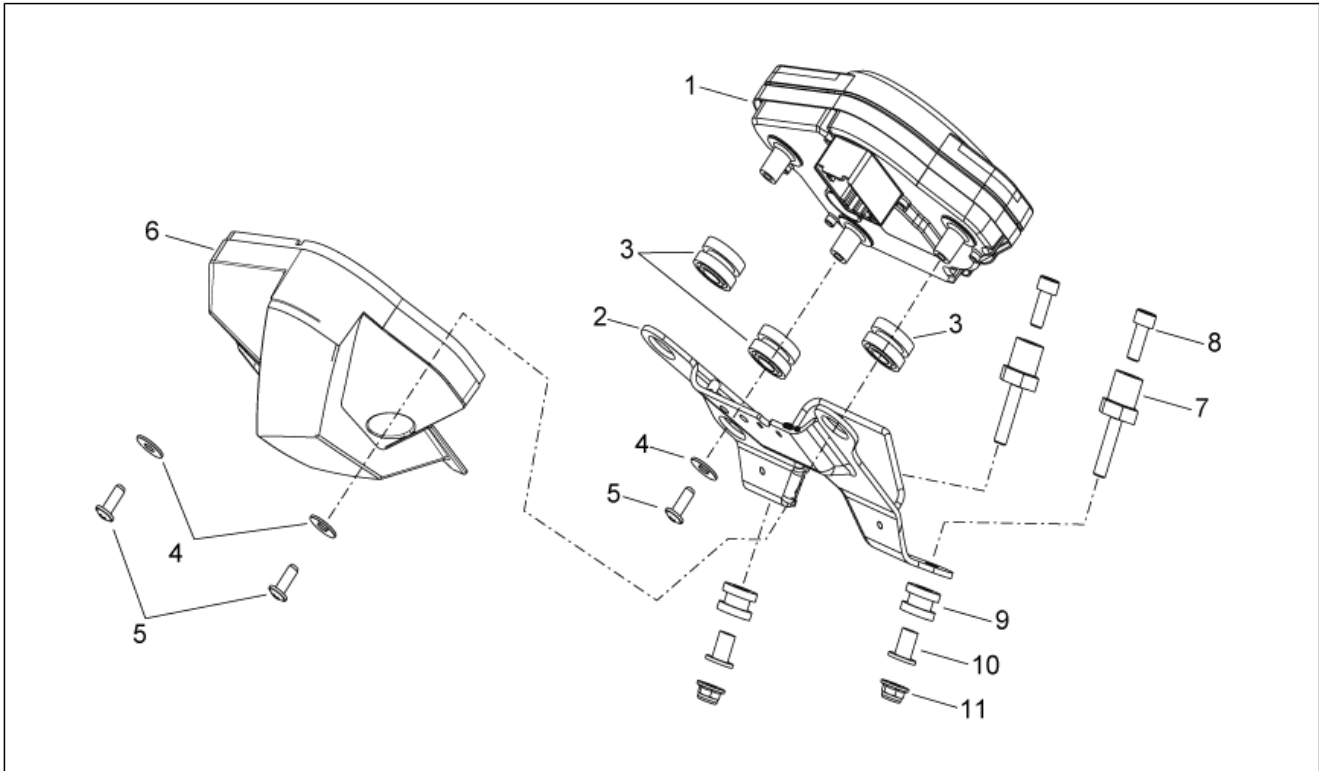
<b>Group</b>	TELAIO
<b>Code</b>	28.18
<b>Description</b>	Rear body III
<b>Service</b>	1



Pos.	Code	Description	Qty	Variants
1	860403	Number plate holder	1	
2	85159300XEZ	RH silencer cover	1	
3	85159400XEZ	LH silencer cover	1	
4	AP8224470	Hex socket screw M6x20	6	
5	AP8221341	T bush	6	
6	AP8221340	T bush	12	
7	AP8102375	Clip m5	4	
8	AP8152339	Screw w/ flange M5x9	2	
9	854968	Heat protection	1	
10	854969	Heat protection	1	
11	853421	Heat protection	1	
12	853422	Heat protection	1	
13	AP8152299	Self-locking nut M6	3	
14	AP8152246	Screw w/ flange M6x16	3	
15	AP8150204	Nut M4	4	
16	AP8152342	Screw w/ flange M6x12	2	
17	AP8150430	Low self-locking nut	2	
18	AP8124718	Rear reflector, red	2	
19	AP8134677	Reflector support	1	
20	855071	Maintenance	1	
21	AP8149034	Number plate support	1	

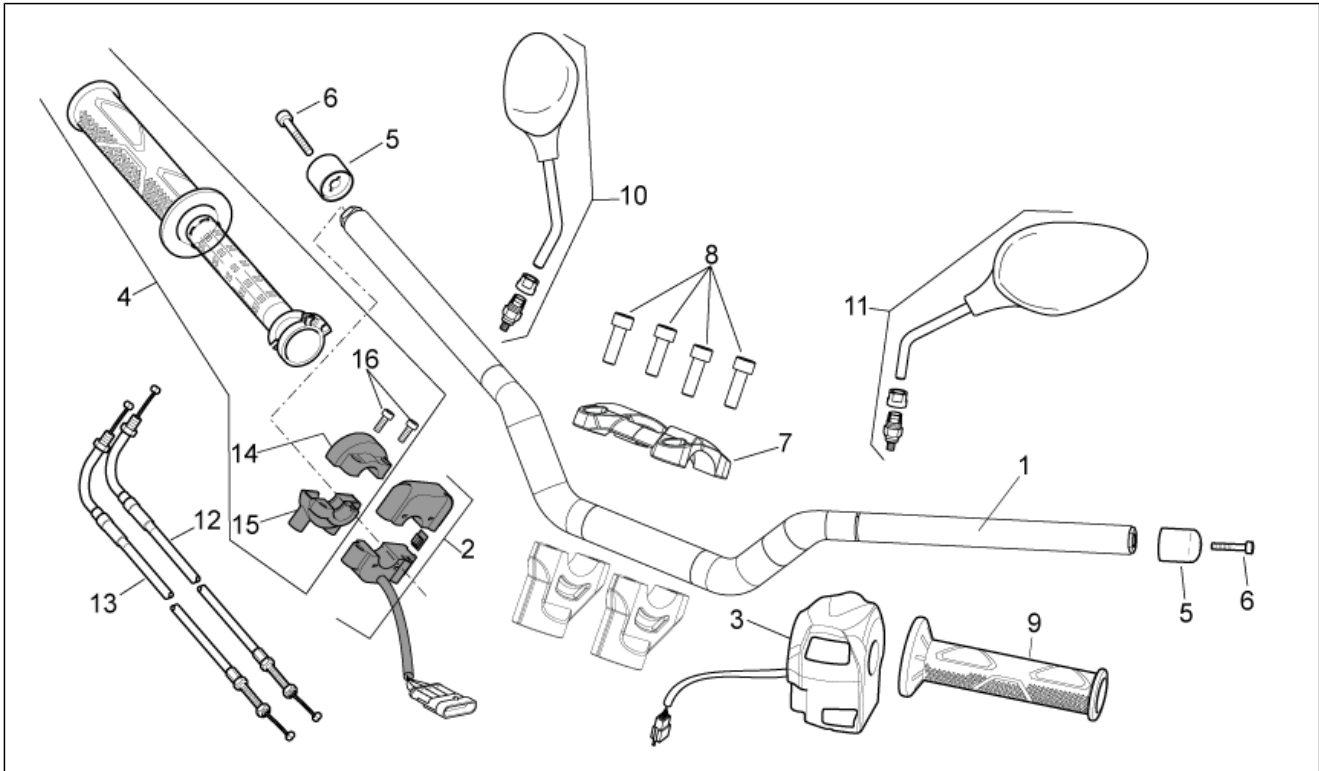


<b>Group</b>	TELAIO
<b>Code</b>	28.19
<b>Description</b>	Dashboard
<b>Service</b>	1



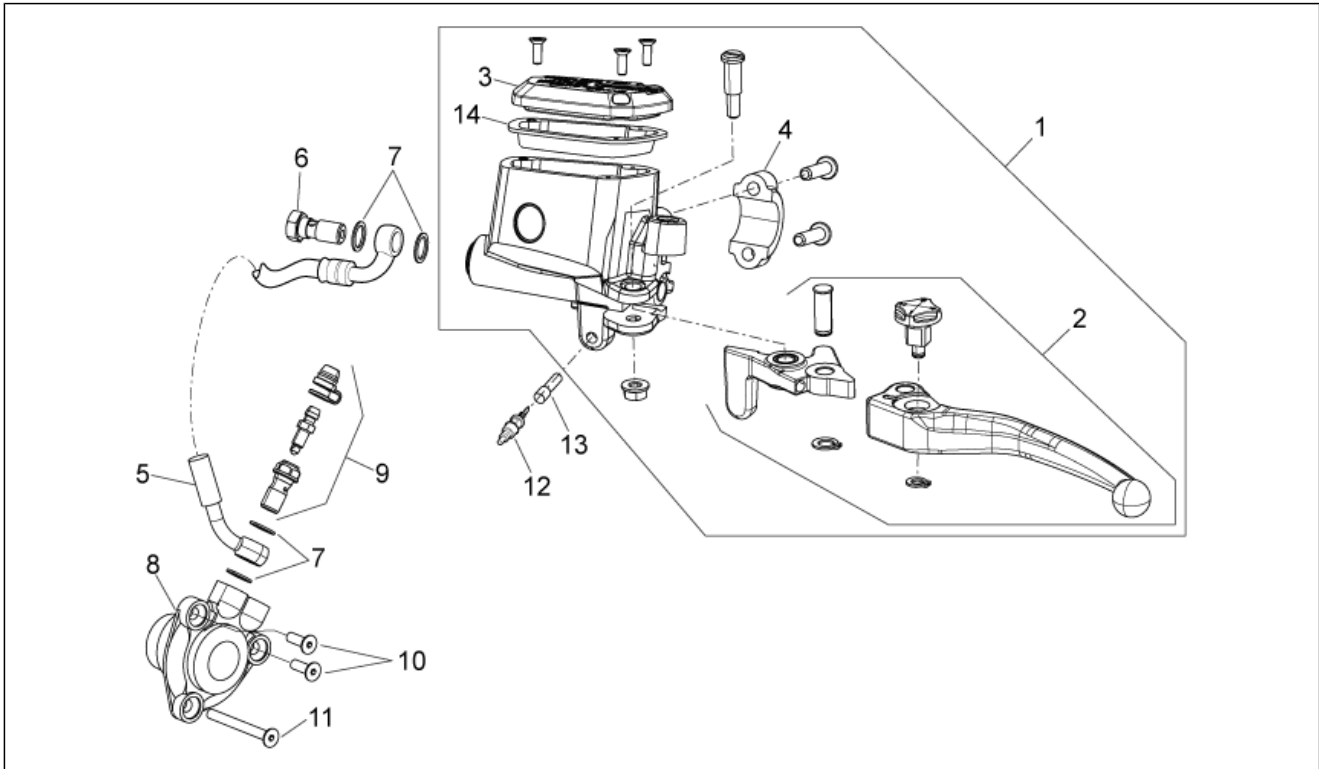
Pos.	Code	Description	Qty	Variants
1	860739	Dashboard complete	1	
2	854592	Socket support	1	
3	AP8144662	Rubber spacer	3	
4	AP8150382	Washer 15x5,5X1,2	3	
5	AP8150509	Self-tap screw 5x14	3	
6	851636	Dashboard cover	1	
7	853212	Special screw	2	
8	AP8150137	Hex socket screw	2	
9	AP8220370	Filter housing rubber	2	
10	AP8121725	T bush *	2	
11	AP8152299	Self-locking nut M6	2	

<b>Group</b>	TELAIO
<b>Code</b>	28.20
<b>Description</b>	Handlebar - Controls
<b>Service</b>	1



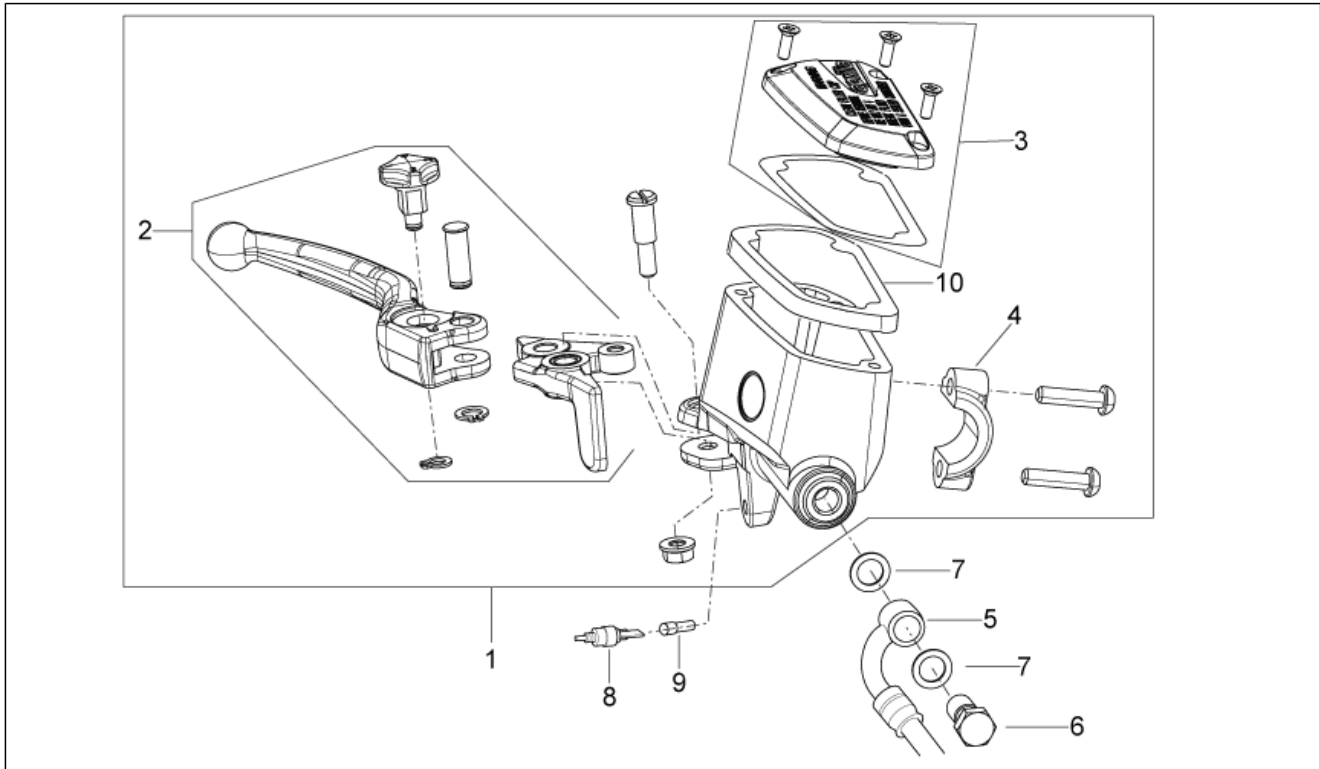
Pos.	Code	Description	Qty	Variants
1	894779	Tubular handlebar	1	
2	896063	RH lights selector	1	
3	896107	LH lights selector	1	
4	GU01603380	Throttle cpl.	1	
5	AP8104509	Anti.v weight, black	2	
6	AP8152003	Hex socket screw M6x40	2	
7	851901	Upper U-bolt	1	
8	AP8152486	Screw M8x25 INOX	4	
9	AP8118579	LH hand grip	1	
10	AP8104921	RH rearview mirror	1	
11	AP8104922	LH rearview mirror	1	
12	895476	Gas trasmission delivery	1	
13	895477	Gas trasmission return	1	
14	AP8118567	Rear gas lever U-bolt	1	
15	AP8118566	Front gas lever U-bolt	1	
16	AP8118492	Cap screw	2	

<b>Group</b>	TELAIO
<b>Code</b>	28.21
<b>Description</b>	Clutch pump
<b>Service</b>	1



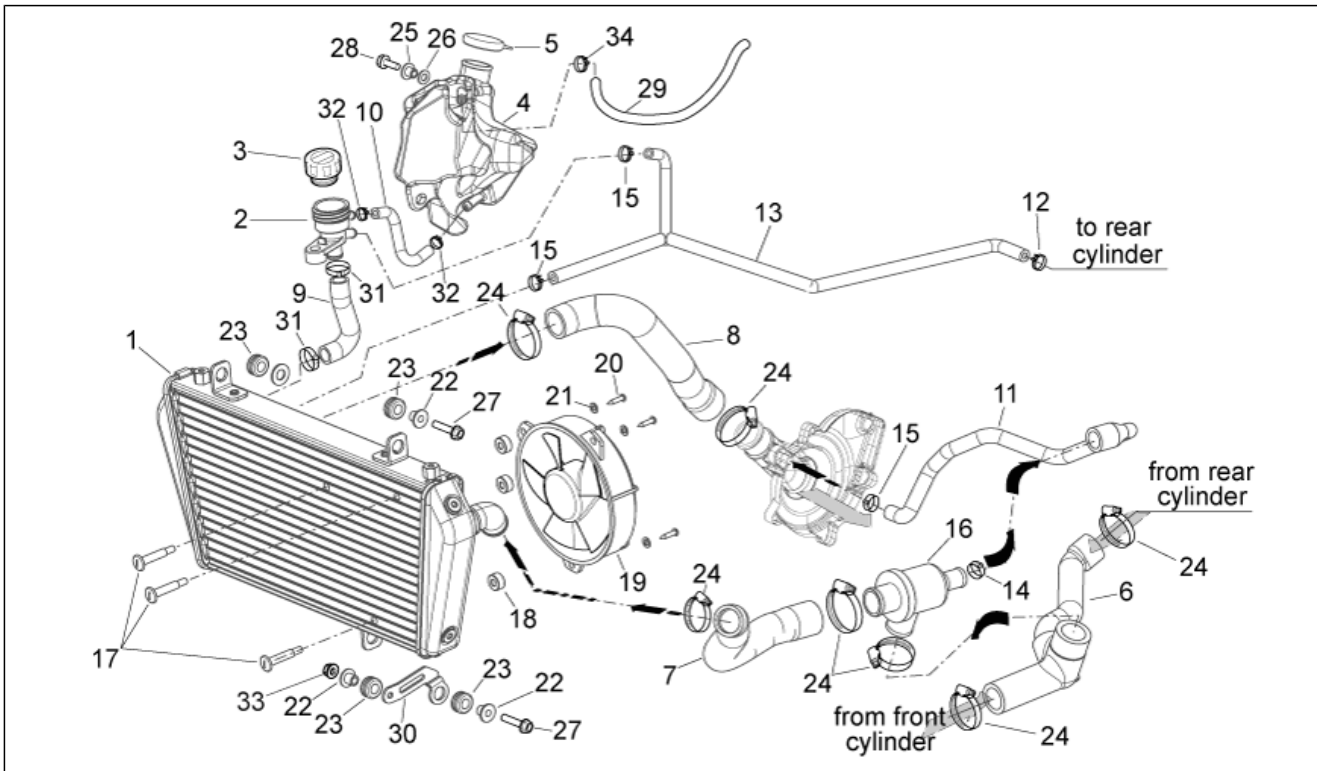
Pos.	Code	Description	Qty	Variants
1	851645	Clutch pump	1	
2	856054	Clutch lever	1	
3	896337	Complete clutch cover	1	
4	856050	U-bolt	1	
5	854835	Clutch pipe	1	
6	AP8113003	Oil pipe screw *	1	
7	AP8113004	Washer 10x14x1,6*	4	
8	873115	Clutch command cylinder	1	
9	AP8133945	Bleeder kit	1	
10	874037	Screw	2	
11	873268	Screw	1	
12	642032	stop Button	1	
13	AP8220135	Rubber spacer *	1	
14	858424	Diaphragm	1	

<b>Group</b>	TELAIO
<b>Code</b>	28.22
<b>Description</b>	Front master cilinder
<b>Service</b>	1



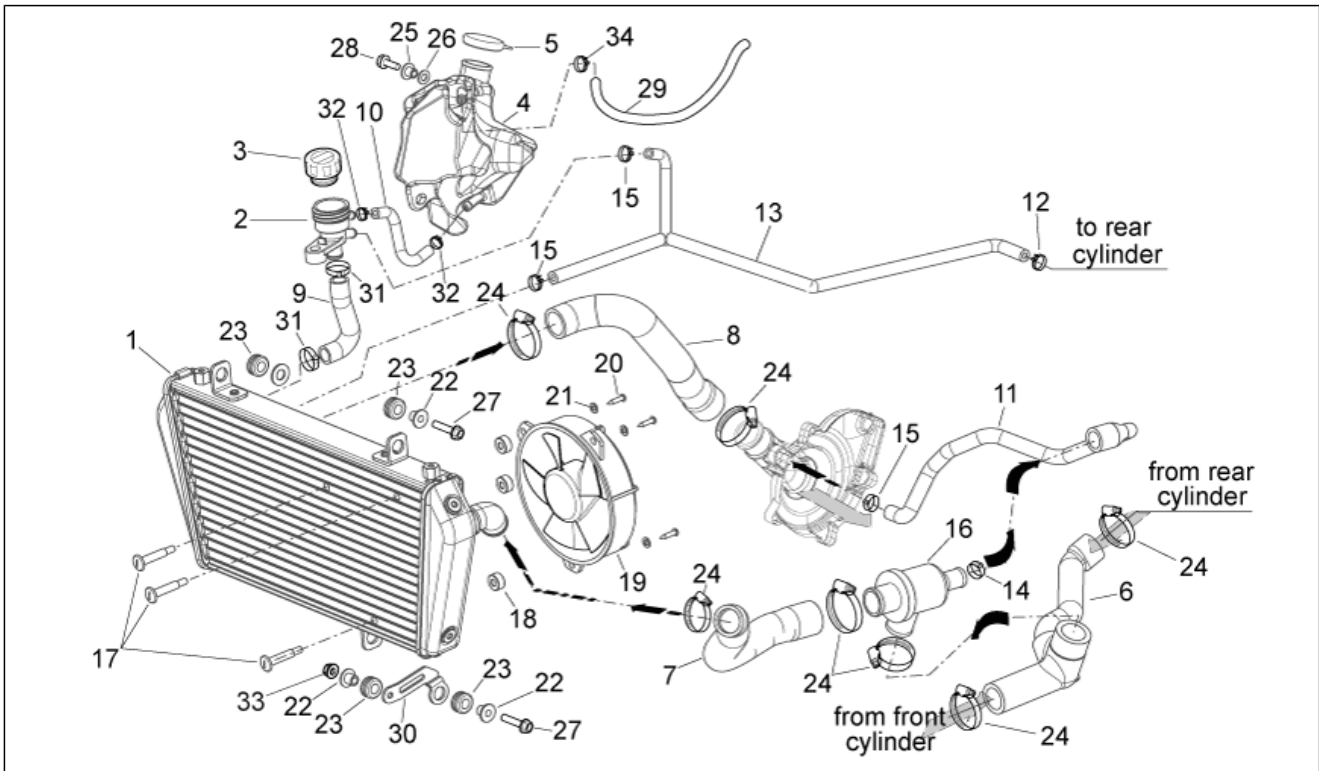
Pos.	Code	Description	Qty	Variants
1	896384	Front master cilinder D15,87	1	<b>Technical specification:</b> Standard Version[std]
1	896385	Front master cilinder D15,87	1	<b>Technical specification:</b> ABS Version[ABS]
2	856048	Brake lever	1	
3	896336	Cover cpl.	1	
4	856050	U-bolt	1	
5	859782	Front brake hose	1	<b>Technical specification:</b> ABS Version[ABS]
5	898007	Front brake hose	1	<b>Technical specification:</b> Standard Version[std]
6	AP8113003	Oil pipe screw *	1	
7	AP8113004	Washer 10x14x1,6*	2	
8	642032	stop Button	1	
9	AP8220135	Rubber spacer *	1	
10	858423	Diaphragm	1	

<b>Group</b>	TELAIO
<b>Code</b>	28.23
<b>Description</b>	Cooling system
<b>Service</b>	1



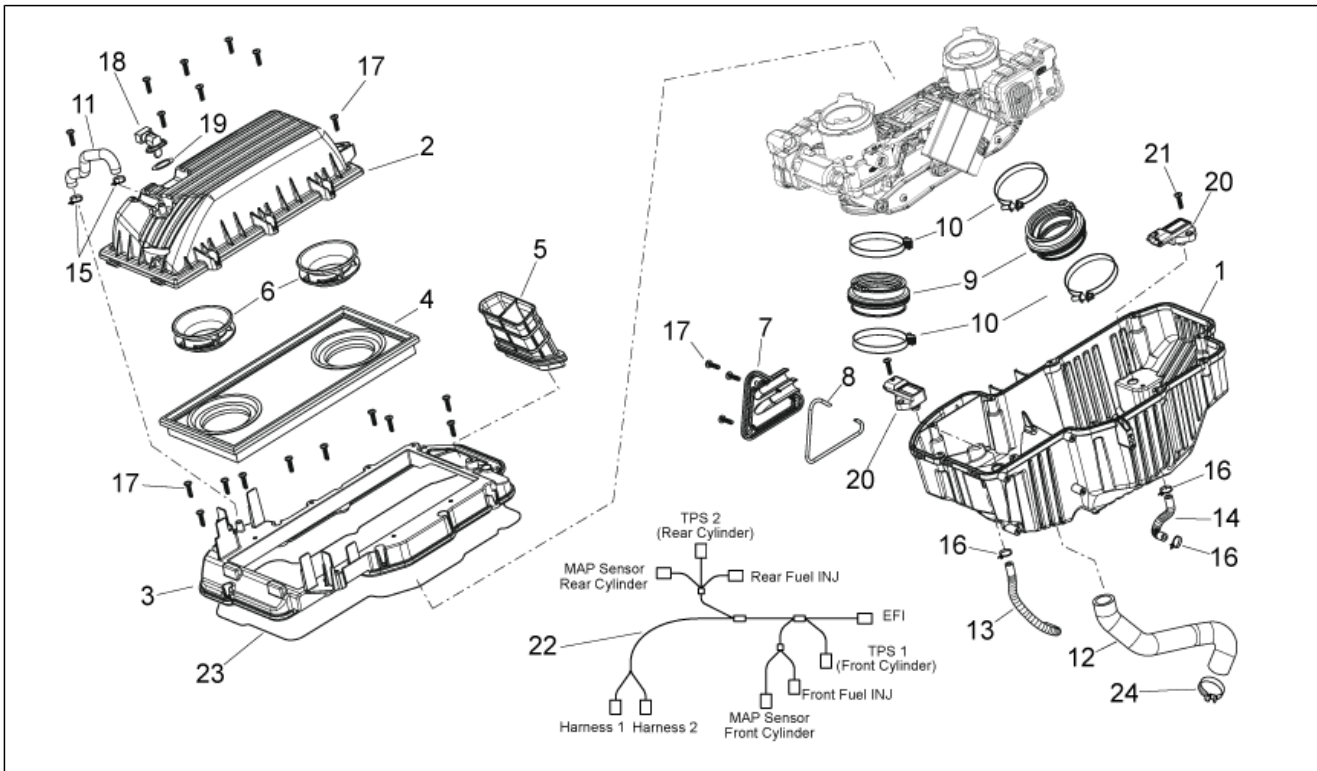
Pos.	Code	Description	Qty	Variants
1	897162	Water cooler	1	
2	AP8144644	Filler cap	1	
3	AP8102615	Cover	1	
4	851597	Expansion tank	1	
5	AP8104836	Expansion tank plug	1	
6	851683	Water pipe	1	
7	851598	Thermostat-cooler pipe	1	
8	851600	Cooler-pump pipe	1	
9	851599	Water rad.feed pipe	1	
10	851601	Breather pipe	1	
11	851602	Motor-pump valve tube	1	
12	AP8120446	Hose clip, green D11x6,6x1	1	
13	860328	Breather pipe	1	
14	AP8101573	Hose clamp D16-24x8*	1	
15	AP8102239	Hose clamp 12,5x8	3	
16	834232	Thermostat valve set 85°C	1	
17	AP8121464	Pin	3	
18	AP8161083	Spacer	3	
19	AP8124930	Fan, cpl.	1	
20	AP8150120	Screw 4,2x22*	3	
21	AP8150012	Washer 5,3x10x1*	3	
22	AP8221023	T bush	3	
23	AP8120030	Rubber spacer	4	
24	CM001924	Hose clamp	7	
25	AP8221145	T bush *	1	
26	AP8220366	Rubber spacer	1	
27	AP8152280	Screw w/ flange M6x25	2	
28	AP8152279	Screw w/ flange M6x20	1	

<b>Group</b>	TELAIO
<b>Code</b>	28.23
<b>Description</b>	Cooling system
<b>Service</b>	1



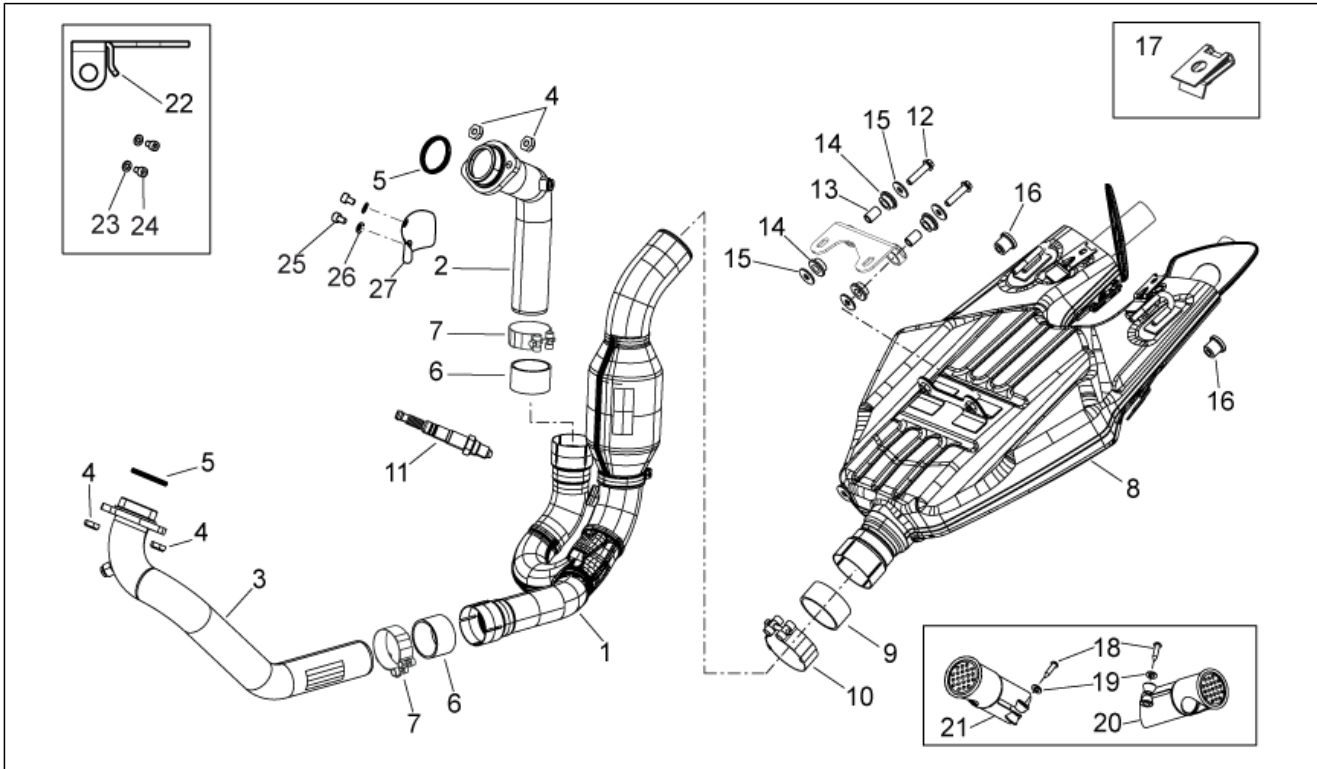
Pos.	Code	Description	Qty	Variants
29	AP8120952	Fuel pipe 5,5x10	1	
30	853458	Water cooler support	1	
31	AP8102786	Hose clip 20x8	2	
32	AP8102159	Hose clamp	2	
33	AP8152299	Self-locking nut M6	1	
34	AP8102520	Hose clamp	1	

<b>Group</b>	TELAIO
<b>Code</b>	28.24
<b>Description</b>	Air box
<b>Service</b>	1



Pos.	Code	Description	Qty	Variants
1	851577	Filter housing base	1	
2	854946	Filter housing cover	1	
3	851576	Filter housing body	1	
4	851575	Air filter	1	
5	858133	Intake pipe	1	
6	851581	Air intake pipe	2	
7	851685	Cover	1	
8	AP8144245	Gasket d.5	1	
9	851570	Throttle body hose	2	
10	854970	Hose clamp SM9C W1 6	4	
11	851567	Breather pipe BLOW-BY	1	
12	851785	Breather pipe BLOW-BY	1	
13	856314	Front preformed pipe	1	
14	856315	Rear preformed pipe	1	
15	AP8102520	Hose clamp	2	
16	AP8201358	Hose clamp D 11,9	4	
17	AP8152329	Phillips screw, SWP M5x20	21	
18	GU30729330	Air temp. Sensor	1	
19	GU30027931	Gasket	1	
20	638562	Air pressure sensor	2	
21	AP8150509	Self-tap screw 5x14	2	
22	893720	Injection wiring	1	
23	890513	Gasket D4	1	
24	AP8120536	Hose clip D28x8,6*	1	

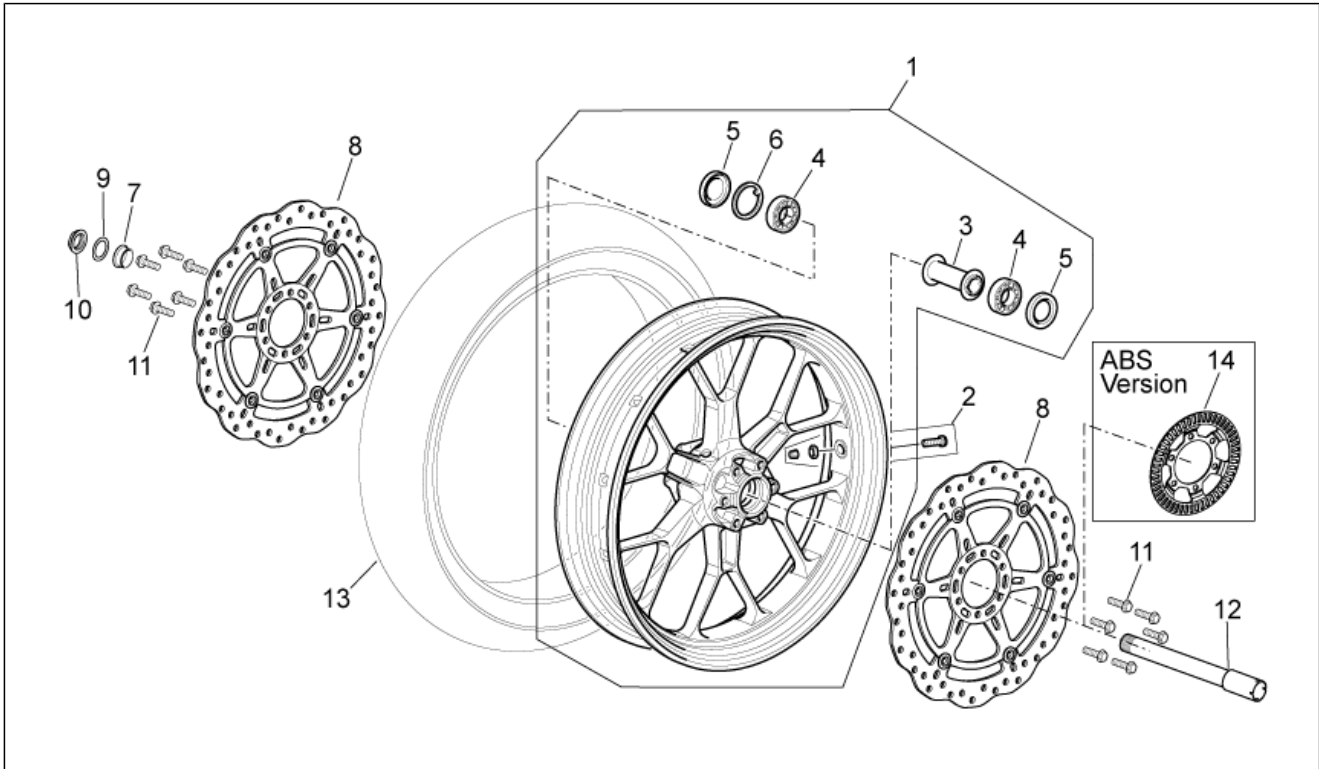
<b>Group</b>	TELAIO
<b>Code</b>	28.26
<b>Description</b>	Exhaust unit
<b>Service</b>	1



Pos.	Code	Description	Qty	Variants
1	851587	Central exhaust manifold	1	
2	860437	Rear exhaust pipe	1	
3	851590	Front. Exhaust pipe	1	
4	AP8150334	Nut M8	4	
5	851582	Exhaust pipe gasket	2	
6	GU05121630	Gasket	2	
7	GU05123431	LH hose clamp	2	
8	85205R	Silencer	1	
9	GU05128230	Gasket	1	
10	851586	LH manifold pipe	1	
11	896110	Lamda sensor l.660 mm	1	
12	AP8152289	Screw w/ flange	2	
13	AP8121455	Spacer bush	2	
14	856914	Rubber spacer	4	
15	AP8150018	Washer	4	
16	852433	Rubber spacer	2	
17	254485	Spring plate M6	6	
18	031060	Hex screw	2	
19	AP8150012	Washer 5,3x10x1*	2	
20	860706	RH terminal	1	
21	860707	LH terminal	1	
22	896185	Support clamp	1	
23	AP8150535	Safety washer	2	
24	AP8150505	Hex socket screw m4x6 inox	2	
25	AP8150505	Hex socket screw m4x6 inox	2	
26	AP8150535	Safety washer	2	
27	856859	Shock abs. guard plate	1	

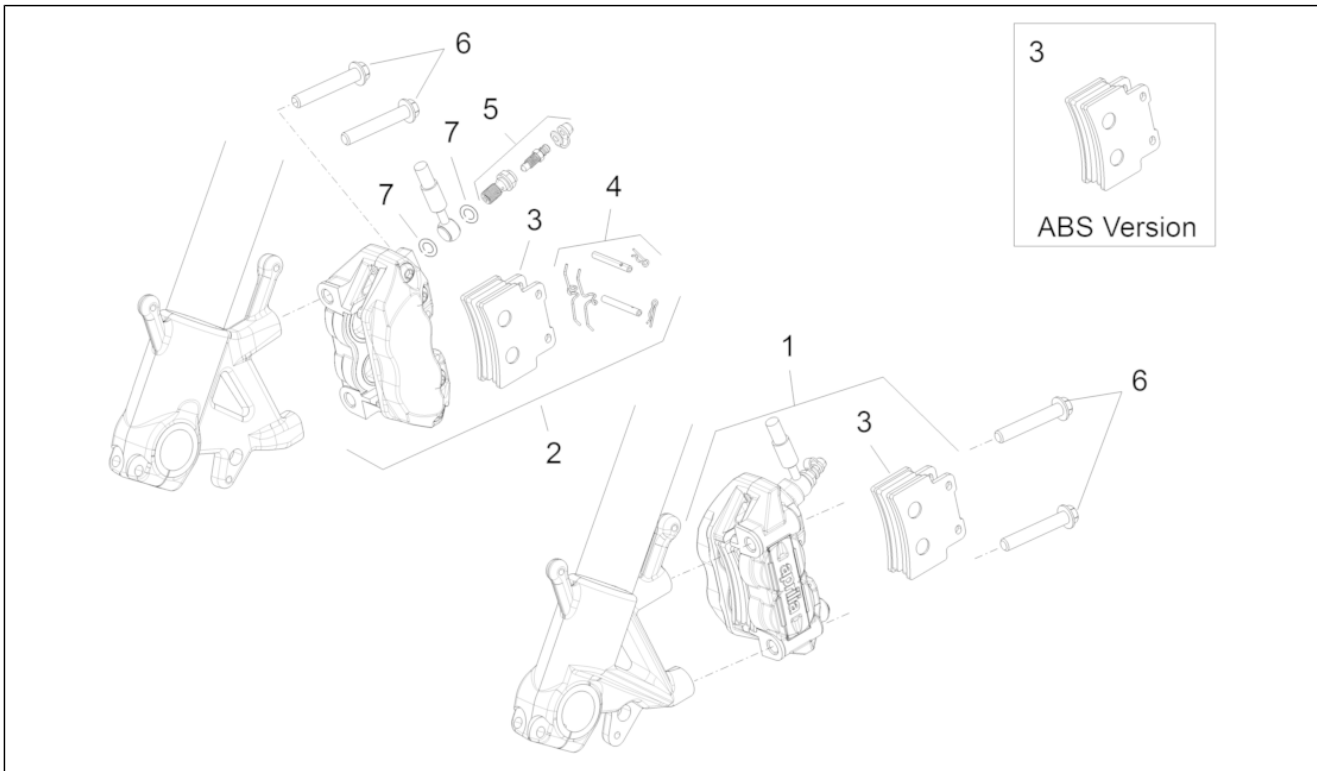


<b>Group</b>	TELAIO
<b>Code</b>	28.27
<b>Description</b>	Front wheel
<b>Service</b>	1



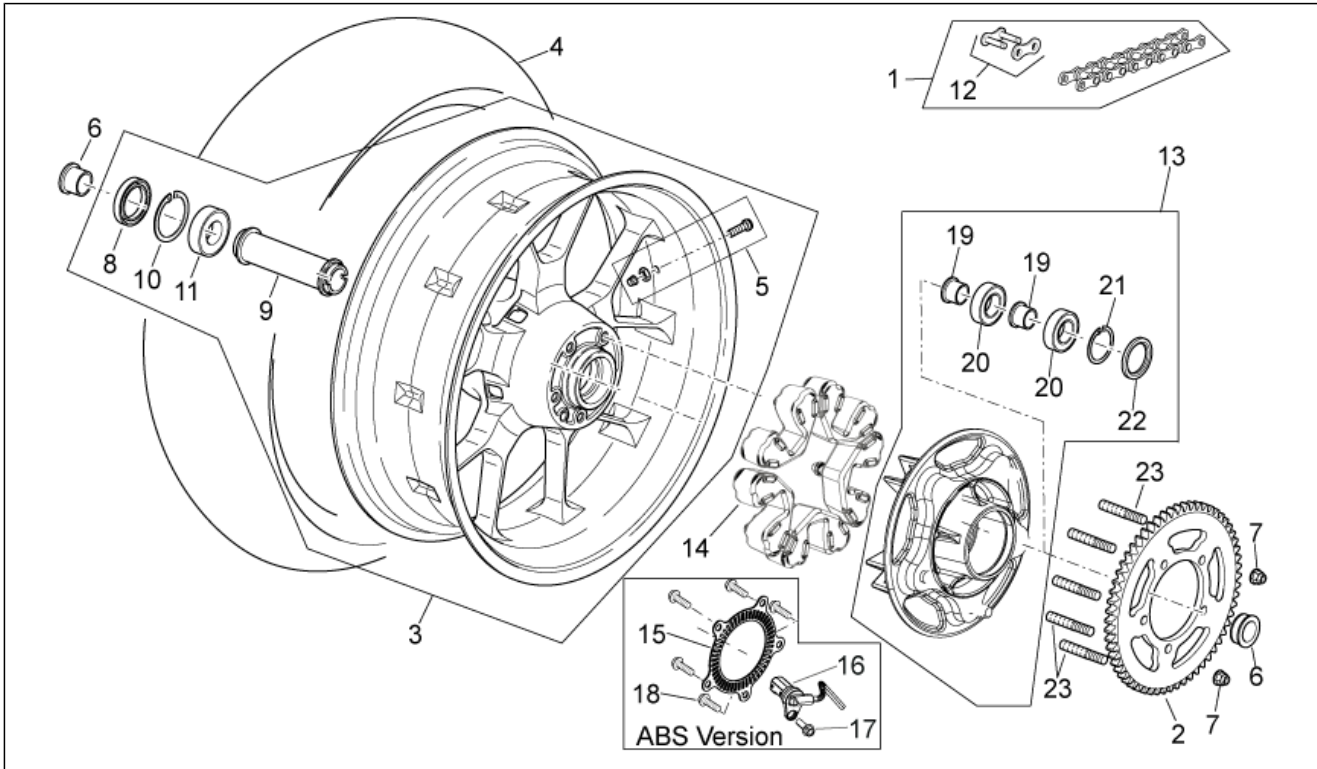
Pos.	Code	Description	Qty	Variants
1	AP8128228	Front wheel, black	1	
2	AP8101744	Tubeless tyre valve	1	
3	AP8128169	Internal spacer	1	
4	AP8125777	Ball bearing 25x47x12	2	
5	AP8125773	Gasket ring 30x47x7	2	
6	AP8125779	Circlip	1	
7	AP8125728	Front RH whe.ou.spacer	1	
8	856774	Front brake disc	2	
9	AP8152323	Washer 25,2x36x1	1	
10	AP8152335	Wheel spindle nut	1	
11	AP8152286	Screw w/ flange M8x20	12	
12	AP8125827	Front wheel spindle	1	
13	890719	Front tyre 120/70 ZR 17"	1	
14	AP8128189	Wheel speed sensor, left front	1	<b>Technical specification:</b> ABS Version[ABS]

<b>Group</b>	TELAIO
<b>Code</b>	28.28
<b>Description</b>	Front brake caliper
<b>Service</b>	1



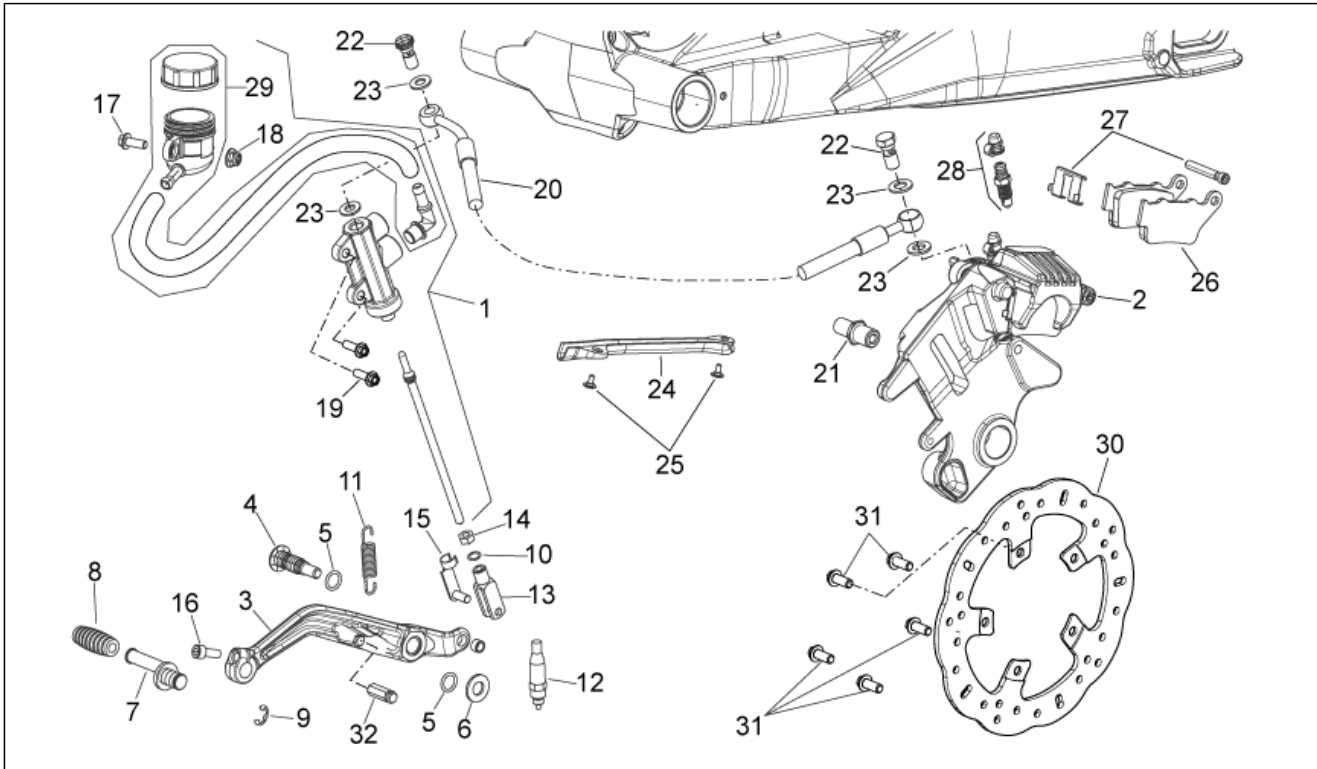
Pos.	Code	Description	Qty	Variants
1	851724	LH front brake caliper	1	<b>Technical specification:</b> Standard Version[std]
1	897008	LH front brake caliper	1	<b>Technical specification:</b> ABS Version[ABS]
2	897007	RH front brake caliper	1	<b>Technical specification:</b> ABS Version[ABS]
2	AP8133841	Front brake caliper, gold	1	<b>Technical specification:</b> Standard Version[std]
3	897118	Front pads pair RH	1	<b>Technical specification:</b> ABS Version[ABS]
3	AP8133943	Front pads pair	1	<b>Technical specification:</b> Standard Version[std]
4	AP8133944	Pin+Brake spring	2	
5	AP8133945	Bleeder kit	2	
6	AP8152414	Screw w/ flange M10x55	4	
7	AP8113004	Washer 10x14x1,6*	2	

<b>Group</b>	TELAIO
<b>Code</b>	28.29
<b>Description</b>	Rear wheel
<b>Service</b>	1



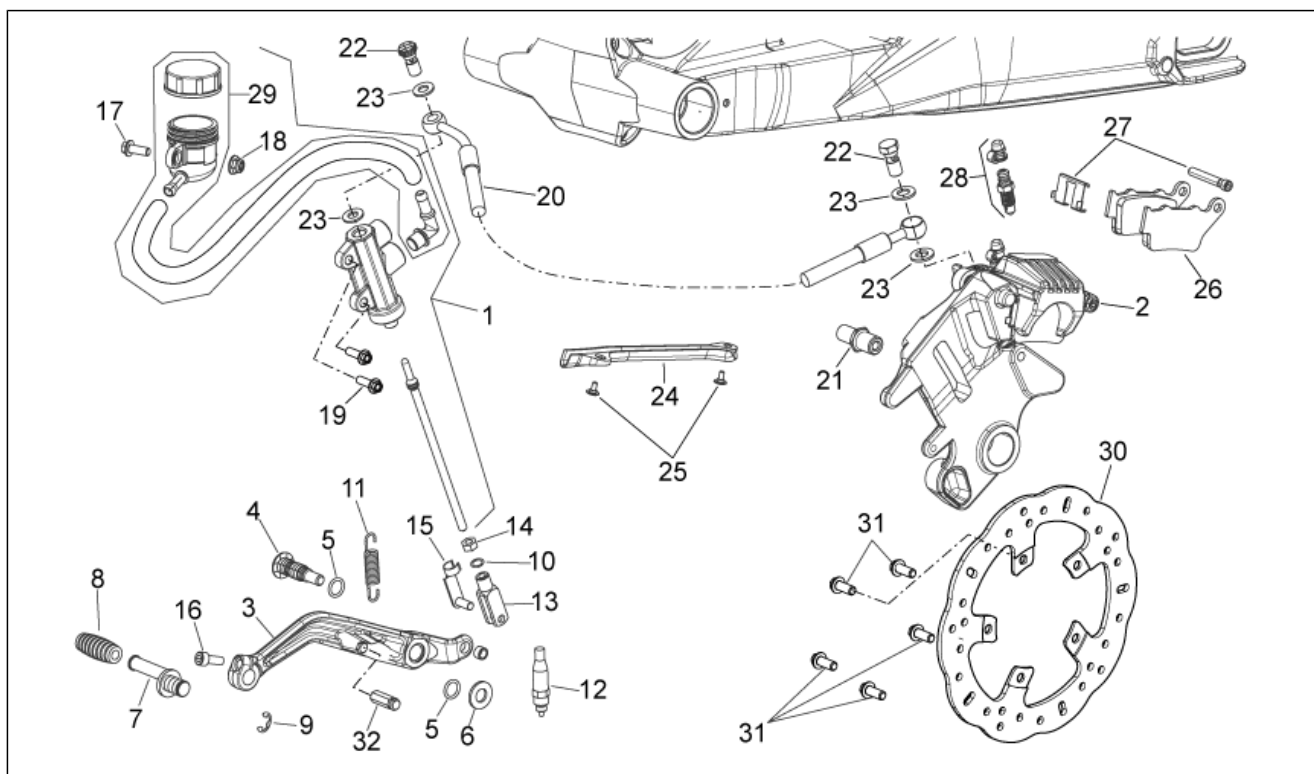
Pos.	Code	Description	Qty	Variants
1	851612	Chain cpl conn.link	1	
2	CM221709	Chain ring Z=44 AL	1	
3	893900	Rear wheel 5,5X17"	1	
4	890720	Rear tyre	1	
5	AP8101744	Tubeless tyre valve	1	
6	AP8121225	Rear wheel spacer	2	
7	AP8152301	Self-locking nut	5	
8	AP8125786	Gasket ring 38x52x7	1	
9	AP8128170	Internal spacer	1	
10	AP8125788	Circlip	1	
11	AP8106806	Bearing 6205-2rs1 25x52x15	2	
12	859754	Connecting link	1	
13	896153	Crown holder, black	1	
14	893073	Spring drive rubber	5	
15	890960	Wheel speed sensor, left front ABS	1	Technical specification:ABS Version[ABS]
16	859792	Sensor ABS	1	Technical specification:ABS Version[ABS]
17	AP8152273	Screw w/ flange M5X15	1	Technical specification:ABS Version[ABS]
18	AP8201749	Screw M4x6	5	Technical specification:ABS Version[ABS]
19	AP8125732	Spring drive spacer	2	
20	AP8110081	Bearing 30x55x13	2	
21	AP8121212	Inside circlip d55	1	
22	AP8121213	Gasket ring 38x55x7	1	
23	894621	Stud bolt	5	

<b>Group</b>	TELAIO
<b>Code</b>	28.30
<b>Description</b>	Rear brake system
<b>Service</b>	1



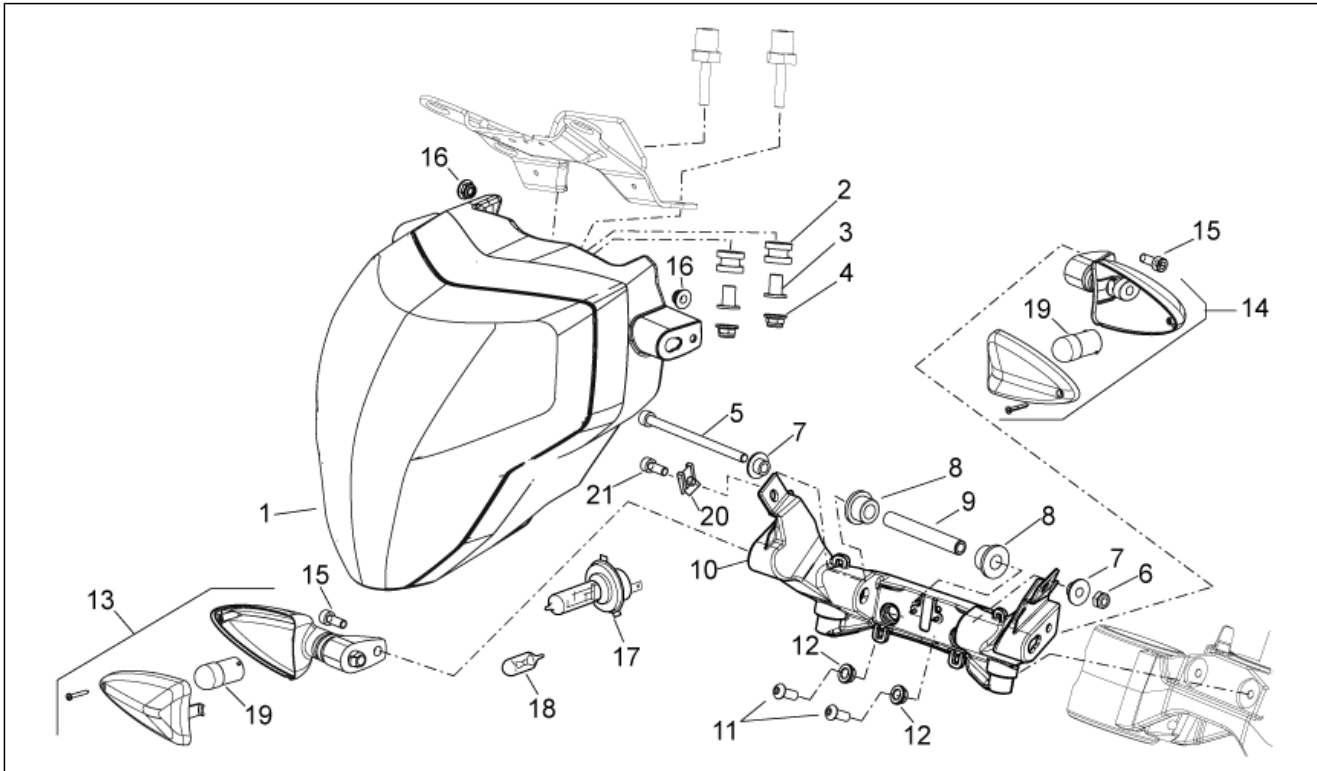
Pos.	Code	Description	Qty	Variants
1	895060	Brake m.cyl., w/ reservoir	1	<b>Technical specification:</b> Standard Version[std]
1	895061	Brake m.cyl., w/ reservoir	1	<b>Technical specification:</b> ABS Version[ABS]
2	851725	Rear brake caliper	1	<b>Technical specification:</b> Standard Version[std]
2	860469	Rear brake caliper	1	<b>Technical specification:</b> ABS Version[ABS]
3	895224	Rear brake lever	1	
4	AP8121223	Rear brake lever pin	1	
5	AP8144007	O-ring 11,11x1,78	2	
6	AP8150020	Washer 10,5x21x2*	1	
7	AP8121221	Brake lever pin	1	
8	AP8120912	Lever rubber	1	
9	AP8150462	Circlip d9	1	
10	AP8120178	O-ring OR112	1	
11	AP8121126	Rear brake lever spring	1	
12	AP8112996	Microswitch	1	
13	AP8101968	Fork	1	
14	AP8150026	Nut M6	1	
15	AP8201301	Gear selector fork clips	1	
16	AP8150137	Hex socket screw	1	
17	598839	Screw w/ flange	1	
18	AP8152299	Self-locking nut M6	1	
19	AP8150137	Hex socket screw	2	
20	852494	Rear brake hose	1	
21	AP8121407	Brake supp. plate pin	1	
22	AP8113003	Oil pipe screw *	2	
23	AP8113004	Washer 10x14x1,6*	2	
24	854893	Brake hose protection	1	
24	859792	Sensor ABS	1	<b>Technical specification:</b> ABS Version[ABS]
25	AP8152273	Screw w/ flange M5X15	1	<b>Technical specification:</b> ABS Version[ABS]

<b>Group</b>	TELAIO
<b>Code</b>	28.30
<b>Description</b>	Rear brake system
<b>Service</b>	1



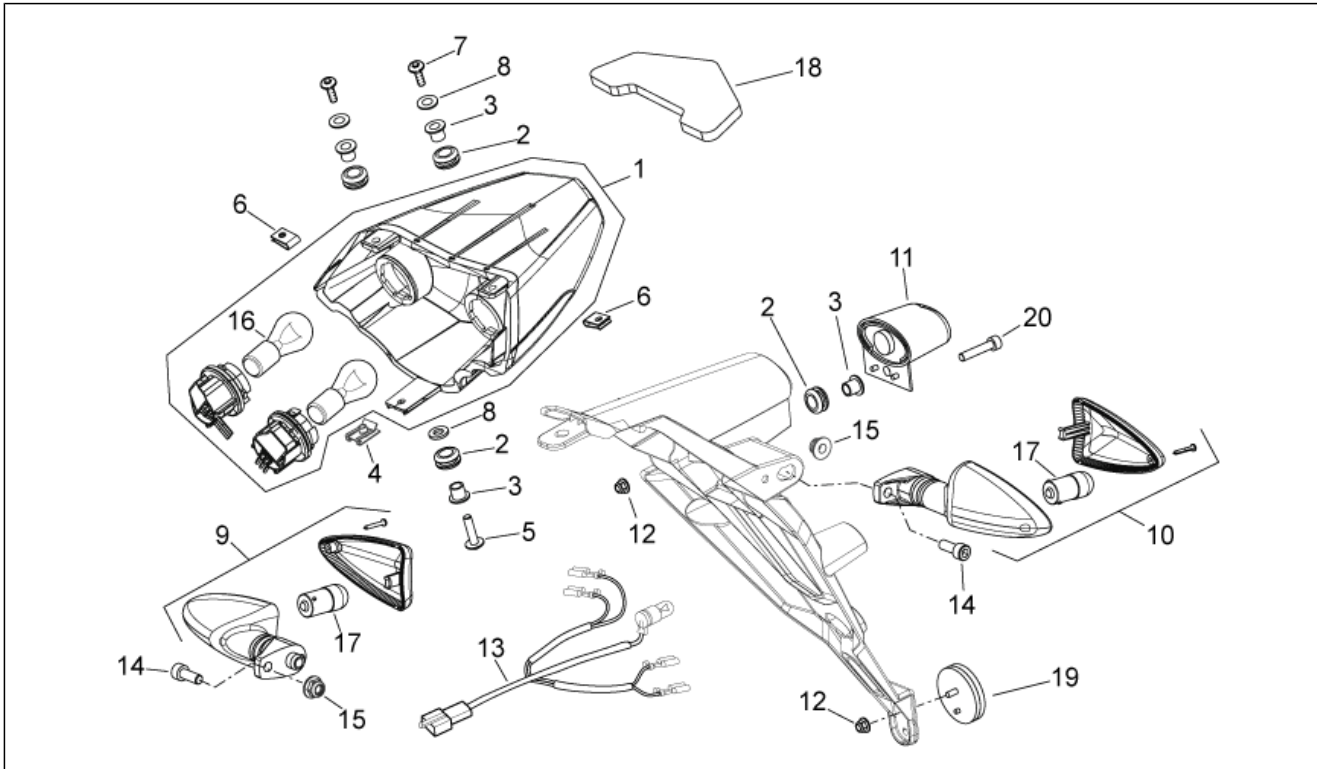
Pos.	Code	Description	Qty	Variants
25	AP8152339	Screw w/ flange M5x9	2	
26	858200	Rear pads pair	1	
27	856052	Pins+Caliper springs	1	
28	AP8213574	Air bleed valve	1	
29	856053	Oil tank	1	
30	856775	Rear brake disc D.240	1	
31	AP8152286	Screw w/ flange M8x20	5	
32	GU56777300	Springs fixing pin	1	

<b>Group</b>	TELAIO
<b>Code</b>	28.31
<b>Description</b>	Front lights
<b>Service</b>	1



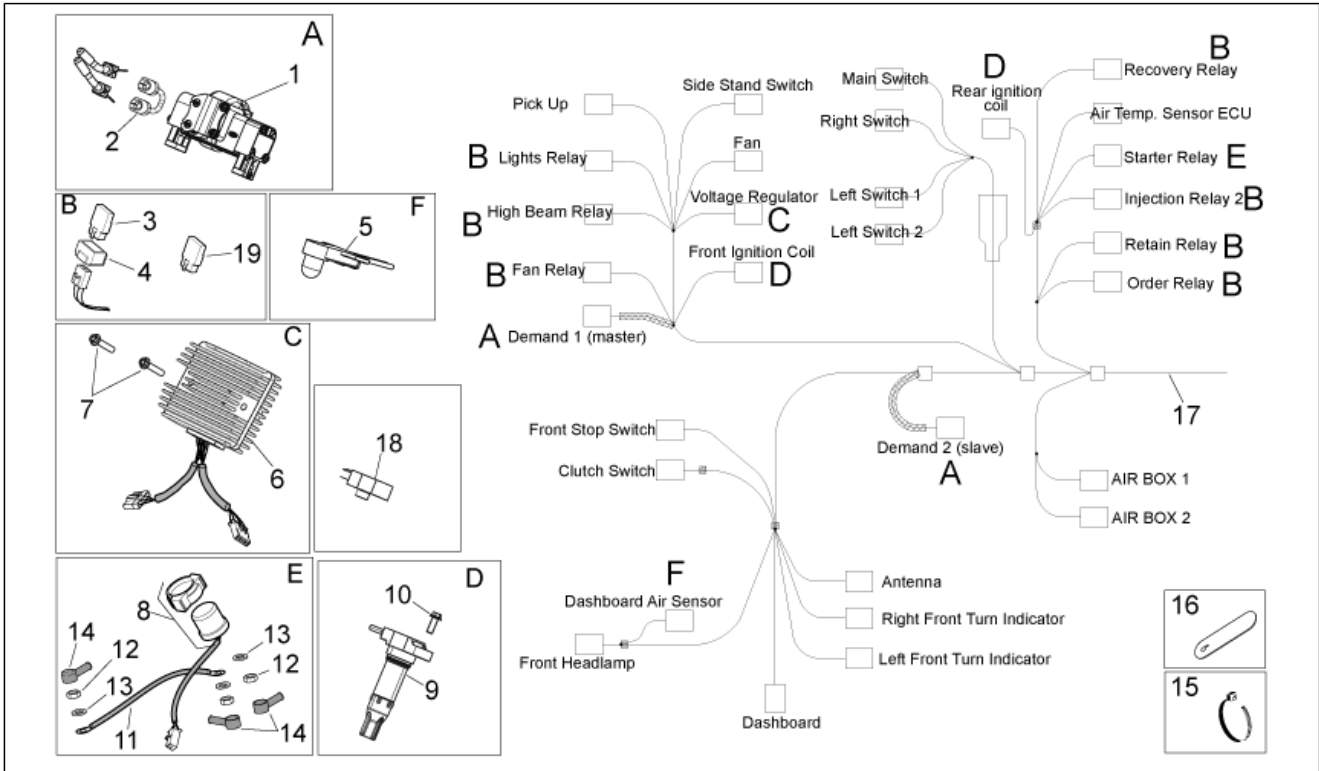
Pos.	Code	Description	Qty	Variants
1	851637	Headlight	1	
2	AP8220370	Filter housing rubber	2	
3	AP8121725	T bush *	2	
4	AP8152299	Self-locking nut M6	2	
5	576001	Hex socket screw M6x100	1	
6	AP8152299	Self-locking nut M6	1	
7	AP8221349	T bush	2	
8	AP8220192	Rubber spacer *	2	
9	AP8134419	Fuel tank bush	1	
10	895923	Support clamp	1	
11	AP8152108	Hex socket screw	2	
12	AP8221129	Bush	2	
13	AP8127854	RH front turn indicator	1	
14	AP8127855	LH front turn indicator	1	
15	AP8152338	Screw w/ flange	2	
16	AP8152306	Self-locking nut m5	2	
17	294353	Lamp H7 55W 12V	2	
18	292022	Lamp 12V-5W	2	
19	AP8127489	Lamp RY10W 12V	2	
20	AP8102375	Clip m5	2	
21	AP8152339	Screw w/ flange M5x9	2	

<b>Group</b>	TELAIO
<b>Code</b>	28.32
<b>Description</b>	Rear lights
<b>Service</b>	1



Pos.	Code	Description	Qty	Variants
1	851638	Taillight	1	
2	AP8112600	Rubber spacer	1	
2	AP8112600	Rubber spacer	2	
2	AP8112600	Rubber spacer	1	
3	AP8121795	T bush	2	
3	AP8121795	T bush	1	
3	AP8121795	T bush	1	
4	AP8102375	Clip m5	1	
5	AP8152270	Hex socket screw M5x25	1	
6	AP8102375	Clip m5	2	
7	AP8152298	Screw w/ flange M5x16	2	
8	AP8150382	Washer 15x5,5X1,2	2	
9	AP8127803	Turn signal lamp DX	1	
10	AP8127804	Turn signal lamp SX	1	
11	AP8127098	Number-plate light	1	
12	AP8152306	Self-locking nut m5	2	
13	859812	Taillight wiring harn.	1	
14	AP8150137	Hex socket screw	2	
15	AP8152299	Self-locking nut M6	2	
16	129953	Lamp 12V-21/5W	2	
17	AP8127489	Lamp RY10W 12V	2	
18	856087	Vibration-damping rubber	1	
19	AP8224164	Rear reflector, red	1	
20	AP8150350	Hex socket screw M5x25	1	

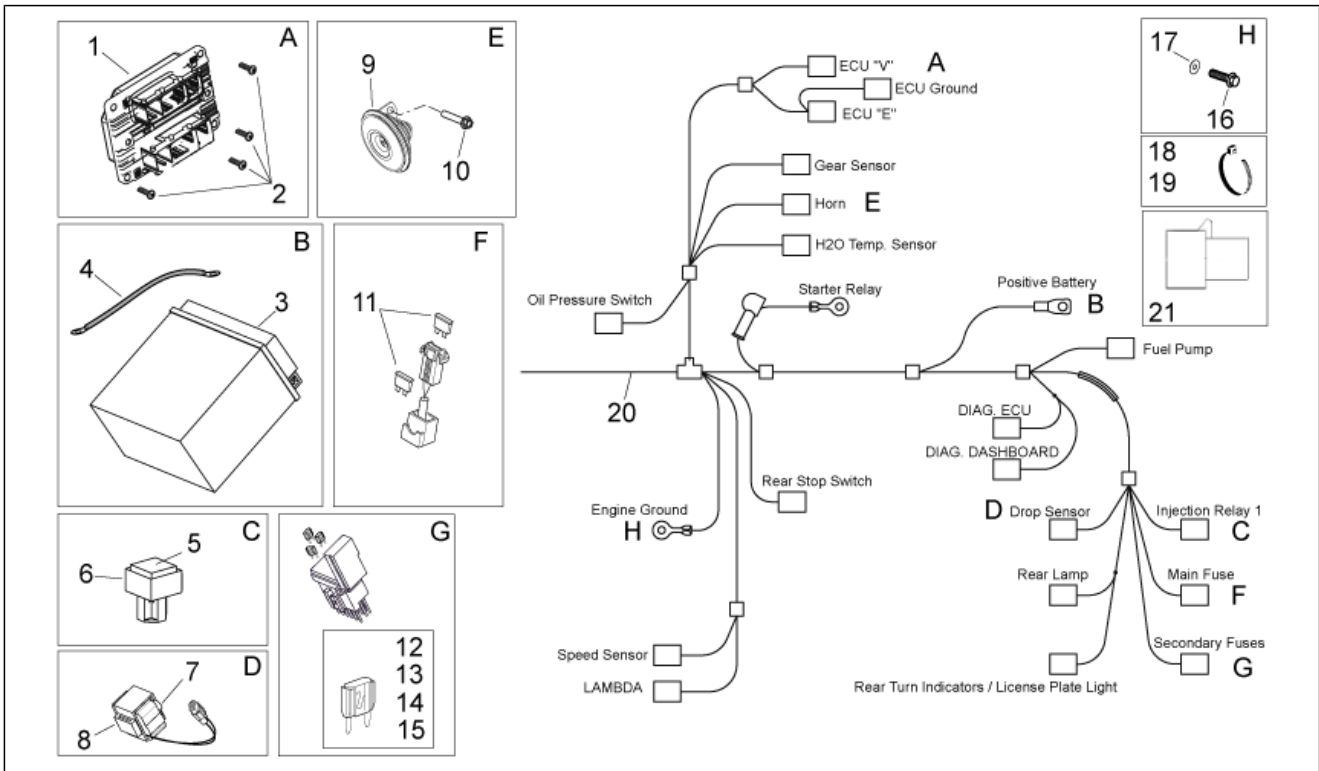
<b>Group</b>	TELAIO
<b>Code</b>	28.33
<b>Description</b>	Electrical system I
<b>Service</b>	1



Pos.	Code	Description	Qty	Variants
1	872664	Demand Sensor	1	
2	854811	Rubber spacer	1	
3	AP8224462	Relay 12V/30A	6	
4	AP8220283	Rubber spacer *	6	
5	AP8124936	Air temp. Sensor	1	
6	640698	Voltage regulator	1	
7	AP8152281	Screw w/ flange M6x30	2	
8	AP8112927	Relay 12V-150A	1	
9	640695	HT coil	2	
10	598839	Screw w/ flange	2	
11	851630	Relay-starter motor cable	1	
12	AP8150026	Nut M6	2	
13	AP8150429	Spring washer 6,4x11x0,5*	2	
14	581061	Cap	2	
15	AP8120416	Black hose 178x4	10	
16	AP8104606	Hose clamp	2	
17	895808	Main wiring harness	1	<b>Technical specification:</b> ABS Version[ABS]
17	895809	Main wiring harness	1	<b>Technical specification:</b> Standard Version[std]
18	858130	Resistor Module	1	
19	GU29732550	Relay 5 pin	1	

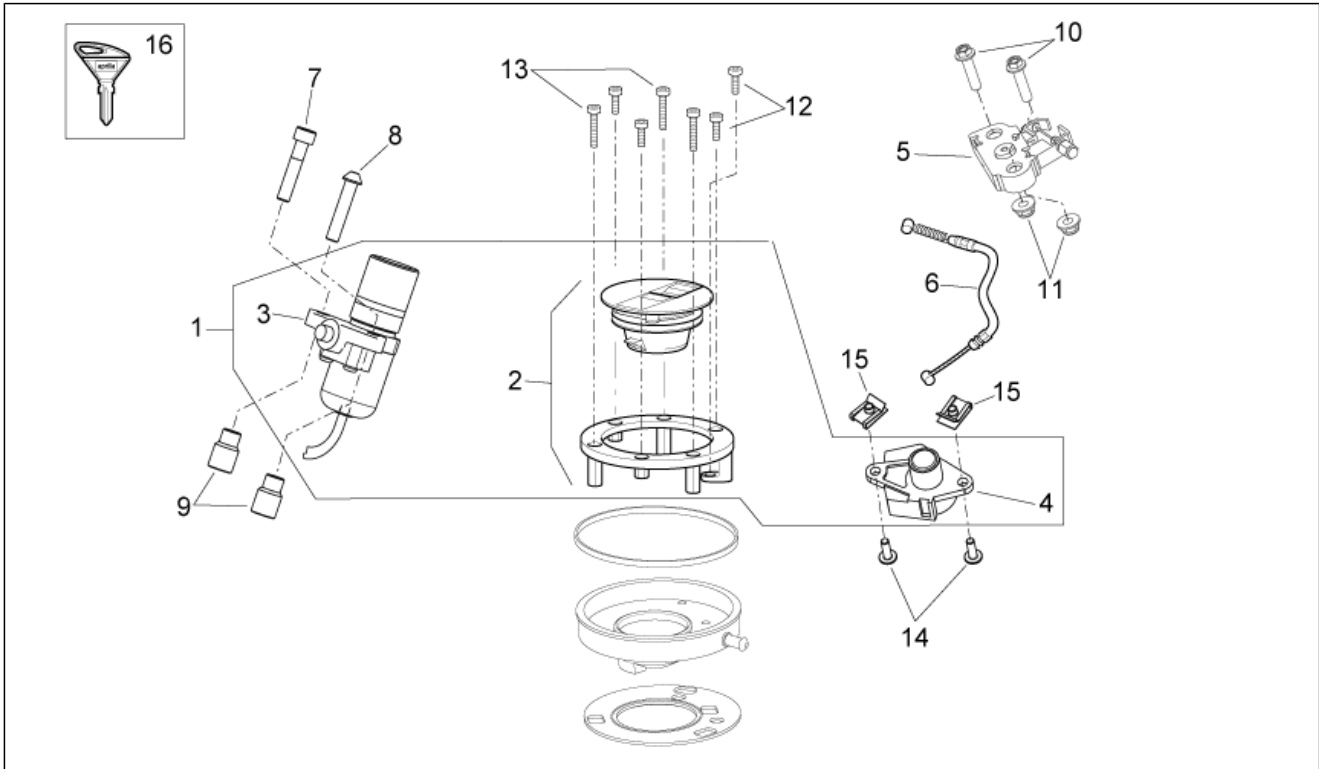


<b>Group</b>	TELAIO
<b>Code</b>	28.34
<b>Description</b>	Electrical system I
<b>Service</b>	1



Pos.	Code	Description	Qty	Variants
1	640267	ECU	1	
2	AP8152329	Phillips screw, SWP M5x20	4	
3	583158	Battery (Yuasa) 12V-10Ah	1	
4	851632	Earth cable	1	
5	AP8124869	Injection relay	1	
6	AP8220546	Relay rubber	1	
7	584509	Fall sensor	1	
8	AP8144046	Rubber sensor support	1	
9	854830	Horn	1	
10	AP8152280	Screw w/ flange M6x25	1	
11	496404	Fuse 30A	2	
12	292507	Fuse 10A	3	
13	AP8127345	Fuse 15A	3	
14	AP8176100	Fuse	2	
15	AP8127346	Fuse 3A	1	
16	AP8152277	Screw w/ flange M6x12	2	
17	AP8150429	Spring washer 6,4x11x0,5*	2	
18	AP8102386	Hose clamp 155x2	3	
19	AP8120422	Black hose 98x2*	2	
20	895808	Main wiring harness	1	<b>Technical specification:ABS Version[ABS]</b>
20	895809	Main wiring harness	1	
21	582928	Plug connect diagnos ECU	1	

<b>Group</b>	TELAIO
<b>Code</b>	28.35
<b>Description</b>	Lock hardware kit
<b>Service</b>	1



Pos.	Code	Description	Qty	Variants
1	859804	Lock kit	1	
2	AP8104710	Fuel filler cap	1	
3	860127	Main switch - steering lock	1	
4	AP8104919	Saddle lock	1	
5	AP8102913	Pass.saddle connecting plate	1	
6	851680	Lock cable	1	
7	AP8150351	Shear rivet M8x40	1	
8	AP8150171	Hex socket screw M8x40	1	
9	AP8121773	Spacer *	2	
10	AP8152280	Screw w/ flange M6x25	2	
11	AP8152299	Self-locking nut M6	2	
12	AP8150454	Hex socket screw M5x16	4	
13	AP8150453	Hex socket screw M5x30	3	
14	AP8152298	Screw w/ flange M5x16	2	
15	AP8102375	Clip m5	2	
16	AP8104920	"Aprilia" key with transpo.	1	

<b>Group</b>	TELAIO
<b>Code</b>	28.36
<b>Description</b>	Plate set-decal-op.handbooks
<b>Service</b>	1



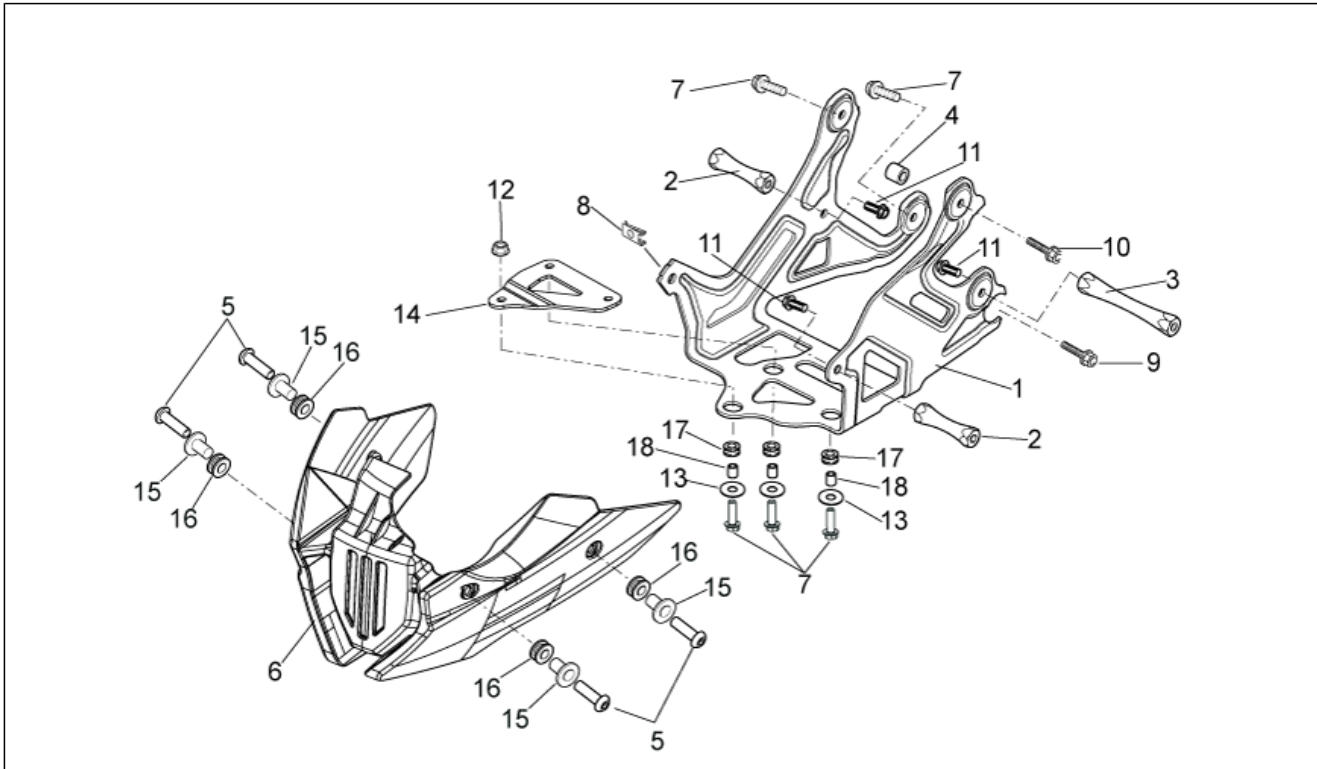
Pos.	Code	Description	Qty	Variants
1	896669	RH air duct, decal aprilia	1	Year:2011[B], 2012[C] Vehicle colour:Crowd Silver[sil]
1	896669	RH air duct, decal aprilia	1	Year:2011[B] Vehicle colour:Aprilia Black[bl], Crowd Silver[sil]
1	B044517	RH air duct, decal Aprilia	1	Year:2012[C], 2013[D] Vehicle colour:Aprilia Black[bl]
1	B044522	RH air duct, decal Aprilia	1	Year:2012[C], 2013[D] Vehicle colour:Glam white[white]
2	896670	LH air duct, decal aprilia	1	Year:2011[B] Vehicle colour:Aprilia Black[bl], Crowd Silver[sil]
2	896670	LH air duct, decal aprilia	0	Year:2011[B], 2012[C] Vehicle colour:Crowd Silver[sil]
2	B044518	LH air duct, decal Aprilia	1	Year:2012[C], 2013[D] Vehicle colour:Aprilia Black[bl]
2	B044523	LH air duct, decal Aprilia	1	Year:2012[C], 2013[D] Vehicle colour:Glam white[white]
3	893096	Rear fairing decal Shiver 750	2	Vehicle colour:Aprilia Black[bl], Crowd Silver[sil]
3	B044526	Rear fairing decal	2	Year:2012[C], 2013[D] Vehicle colour:Glam white[white]
4	856097	Front mudguard decal aprilia	1	Year:2011[B] Vehicle colour:Aprilia Black[bl]
4	856097	Front mudguard decal aprilia	1	Year:2011[B], 2012[C] Vehicle colour:Crowd Silver[sil]
4	B044521	Front mudguard decal Aprilia Rac.	1	Year:2012[C], 2013[D] Vehicle colour:Aprilia Black[bl], Glam white[white]
5	896865	Decal "World Champion"	1	
6	852029	Decal "AGIP"	2	
7	851678	Toolkit	1	
8	894156	Operator's handbook I-D-F-E	1	
8	895735	Operator's handbook UK-NL-GR-DK-SF-F	1	
8	895736	***HANDBOOK	1	

<b>Group</b>	TELAIO
<b>Code</b>	28.36
<b>Description</b>	Plate set-decal-op.handbooks
<b>Service</b>	1



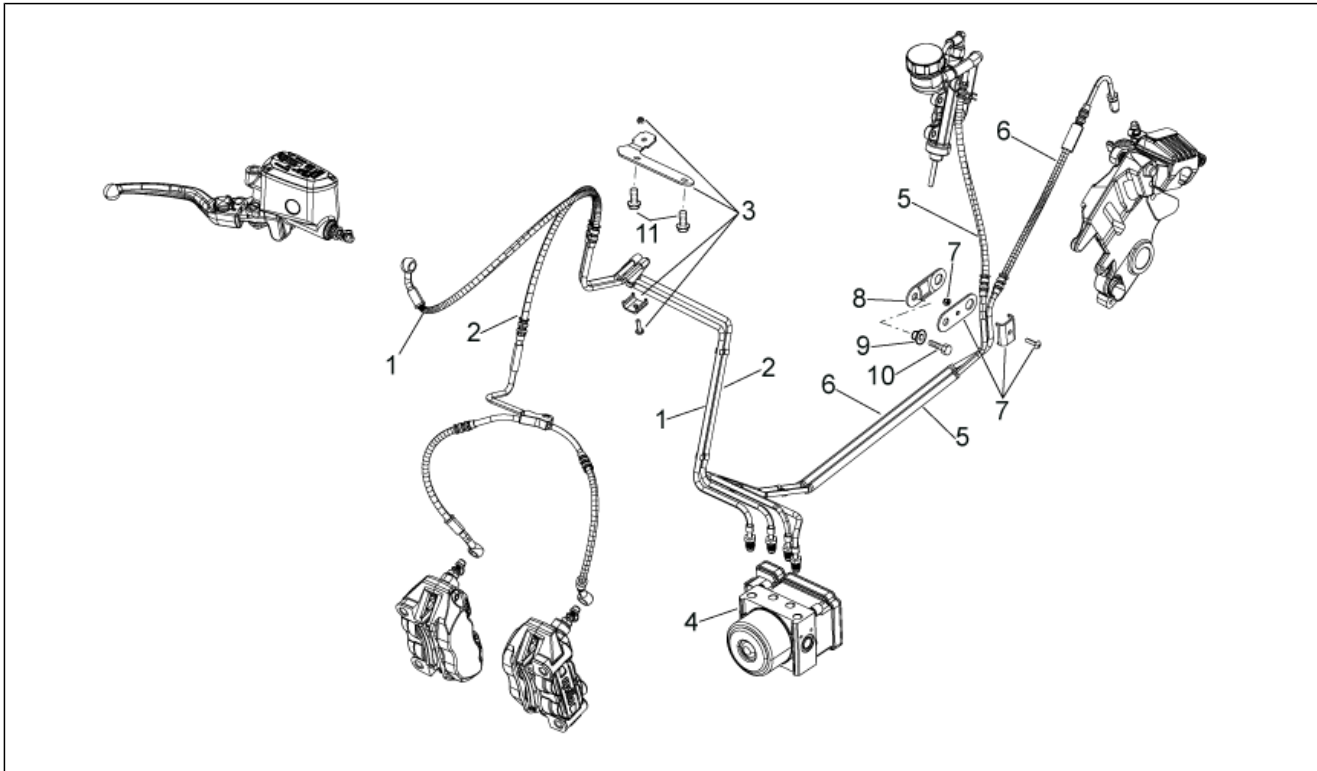
Pos.	Code	Description	Qty	Variants
9	893102	Front mudguard decal ABS	1	<b>Technical specification:</b> ABS Version[ABS]
10	B044519	RH Windshield decal	1	<b>Year:</b> 2012[C], 2013[D] <b>Vehicle colour:</b> Aprilia Black[bl]
10	B044524	RH Windshield decal	1	<b>Year:</b> 2012[C], 2013[D] <b>Vehicle colour:</b> Glam white[white]
11	B044520	LH Windshield decal	1	<b>Year:</b> 2012[C], 2013[D] <b>Vehicle colour:</b> Aprilia Black[bl]
11	B044525	LH Windshield decal	1	<b>Year:</b> 2012[C], 2013[D] <b>Vehicle colour:</b> Glam white[white]

<b>Group</b>	TELAIO
<b>Code</b>	28.55
<b>Description</b>	Holder
<b>Service</b>	1



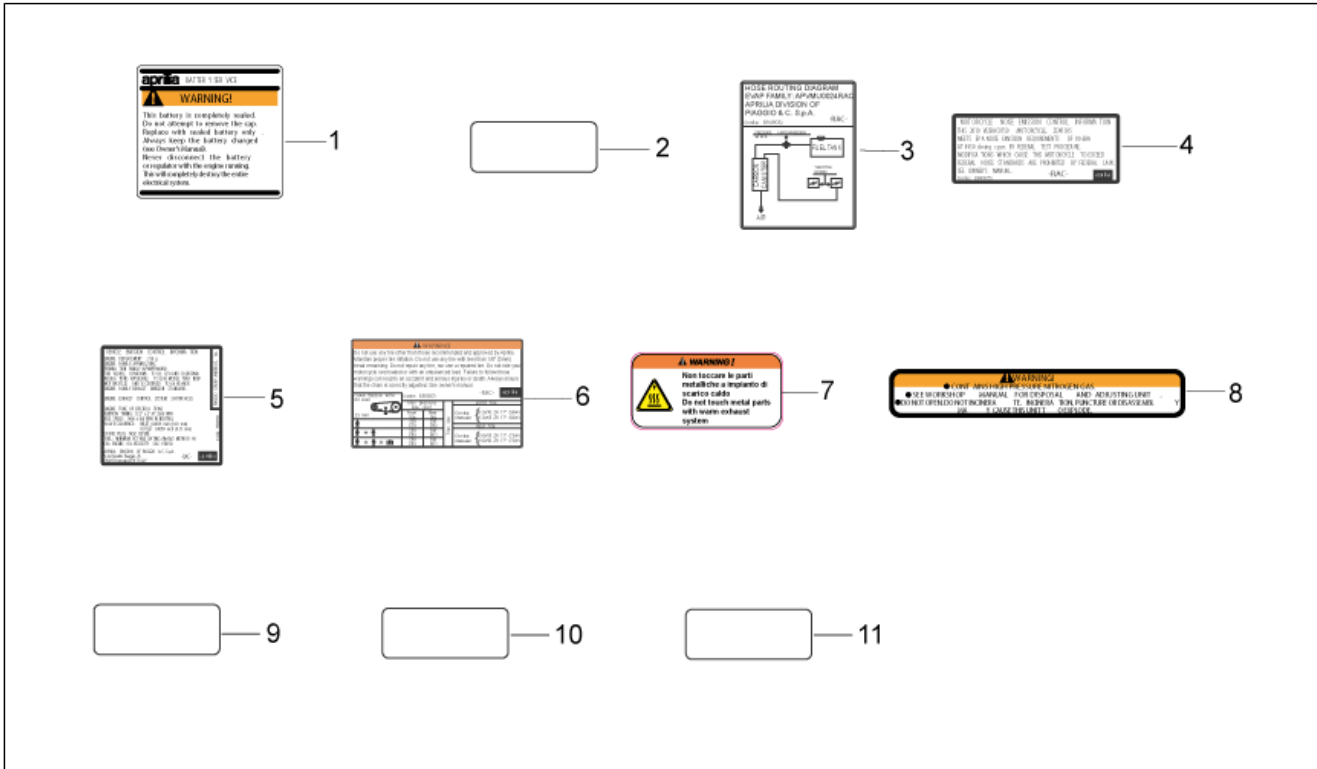
Pos.	Code	Description	Qty	Variants
1	893756	Holder	1	Technical specification:ABS Version[ABS]
2	860628	Spacer	2	Technical specification:ABS Version[ABS]
3	860629	Spacer	1	Technical specification:ABS Version[ABS]
4	860667	Spacer	1	Technical specification:ABS Version[ABS]
5	AP8224470	Hex socket screw M6x20	4	Technical specification:ABS Version[ABS]
6	859793	Pillar	1	Technical specification:ABS Version[ABS]
7	AP8152280	Screw w/ flange M6x25	5	Technical specification:ABS Version[ABS]
8	254485	Spring plate M6	1	Technical specification:ABS Version[ABS]
9	AP8152279	Screw w/ flange M6x20	1	Technical specification:ABS Version[ABS]
10	AP8152282	Screw w/ flange M6x35	1	Technical specification:ABS Version[ABS]
11	AP8152277	Screw w/ flange M6x12	3	Technical specification:ABS Version[ABS]
12	AP8152299	Self-locking nut M6	1	Technical specification:ABS Version[ABS]
13	AP8150015	Washer 6,6x18x1,6*	3	Technical specification:ABS Version[ABS]
14	859789	Plate	1	Technical specification:ABS Version[ABS]
15	AP8121795	T bush	4	Technical specification:ABS Version[ABS]
16	AP8112600	Rubber spacer	4	Technical specification:ABS Version[ABS]
17	AP8120030	Rubber spacer	3	Technical specification:ABS Version[ABS]
18	AP8221007	Spacer 6,5X10X11*	3	Technical specification:ABS Version[ABS]

<b>Group</b>	TELAIO
<b>Code</b>	28.56
<b>Description</b>	ABS Brake system
<b>Service</b>	1



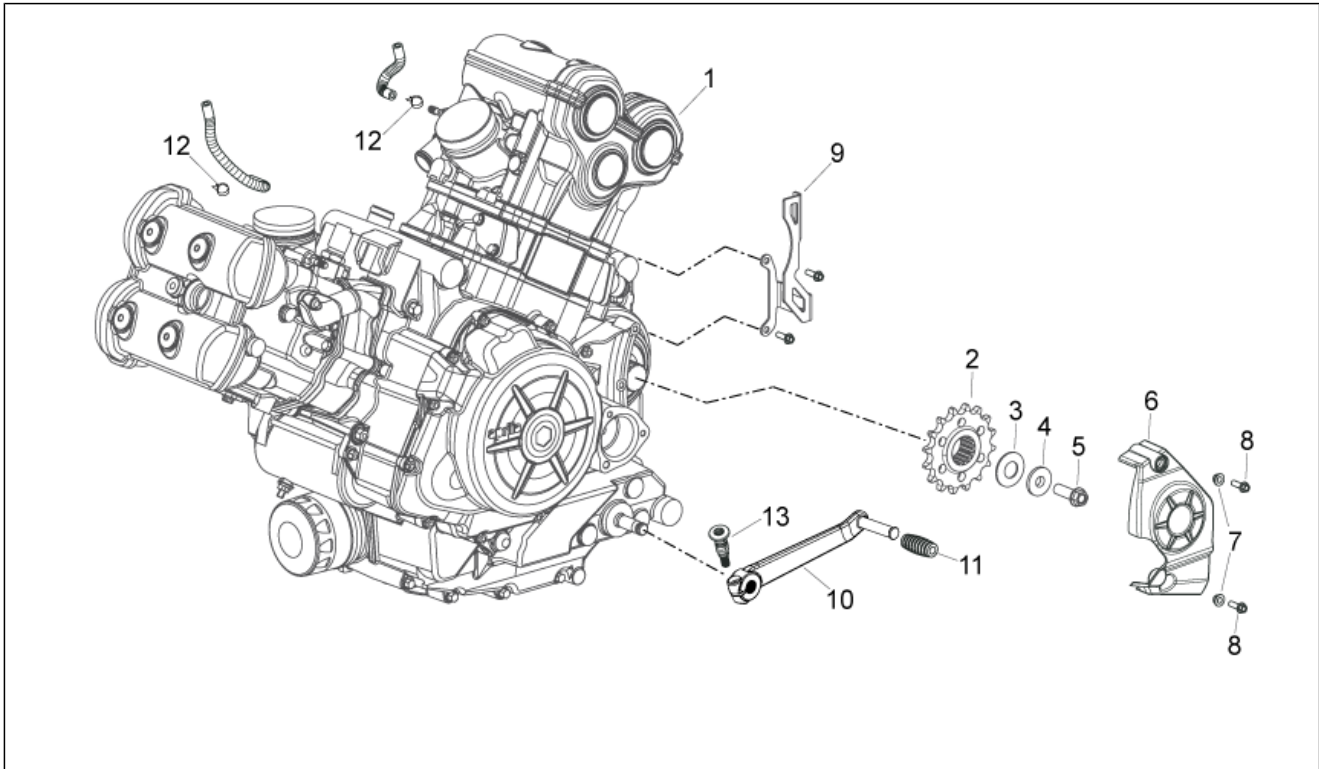
Pos.	Code	Description	Qty	Variants
1	897669	Front brake hose	1	Technical specification:ABS Version[ABS]
2	859783	Front brake hose	1	Technical specification:ABS Version[ABS]
3	860482	Plate	1	Technical specification:ABS Version[ABS]
4	856623	ECU	1	Technical specification:ABS Version[ABS]
5	898305	Rear brake tube	1	Technical specification:ABS Version[ABS]
6	859786	Rear brake hose	1	Technical specification:ABS Version[ABS]
7	860484	Plate	1	Technical specification:ABS Version[ABS]
8	860485	Plate	1	Technical specification:ABS Version[ABS]
9	AP8121716	T bush	1	Technical specification:ABS Version[ABS]
10	AP8152287	Screw w/ flange M8x25	1	Technical specification:ABS Version[ABS]
11	AP8152272	Screw w/ flange M5x12	2	Technical specification:ABS Version[ABS]

<b>Group</b>	TELAIO
<b>Code</b>	28.57
<b>Description</b>	Technical decals
<b>Service</b>	1



Pos.	Code	Description	Qty	Variants
1	AP8267395	Battery decal	1	
2	AP8257794	Battery decal	1	
3	2G000003	Carbon filter sticker	1	Year:2014[E]
3	897663	Carbon filter sticker	1	Year:2011[B]
3	B044403	Carbon filter sticker	1	Year:2013[D]
3	B045405	Carbon filter sticker	1	Year:2013[D]
4	2G000001	Noise emission sticker	1	Year:2014[E]
4	897661	Noise emission sticker	1	Year:2011[B]
4	B044401	Noise emission sticker	1	Year:2012[C]
4	B045403	Noise emission sticker	1	Year:2013[D]
5	2G000002	Emission control sticker	1	Year:2014[E]
5	897662	Emission control sticker	1	Year:2011[B]
5	B044402	Emission control sticker	1	Year:2012[C]
5	B045404	Emission control sticker	1	Year:2013[D]
6	897861	Tyre pressure decal	1	
7	858588	Decal "WARNING"	1	
8	AP8157100	Decal Shock Adsorber	1	
9	AP8257755	Liquid cooling sticker	1	
10	AP8257609	Mirror decal	2	
11	AP8257742	Keys warning decal	1	

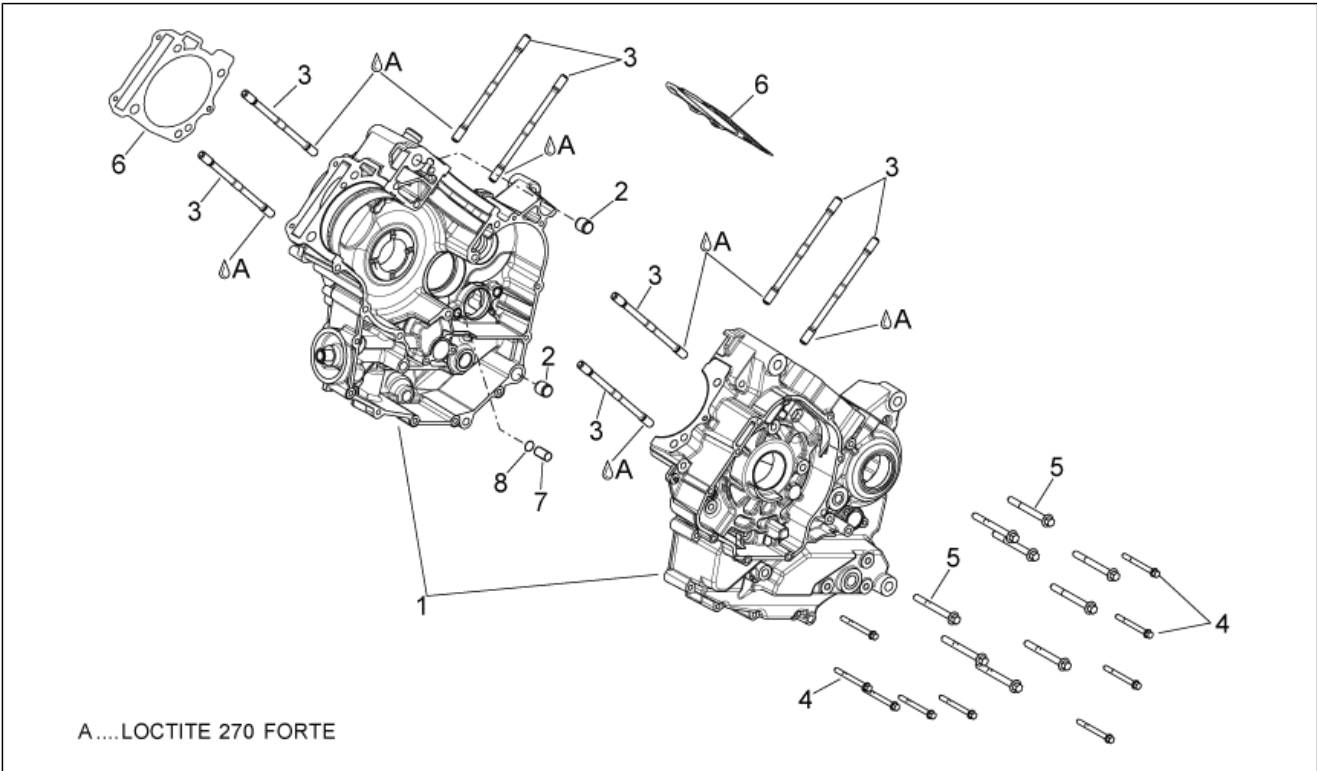
<b>Group</b>	MOTORE
<b>Code</b>	29.25
<b>Description</b>	Engine
<b>Service</b>	1



Pos.	Code	Description	Qty	Variants
1	CM1592045	Engine	1	
1	CM1592105	***PRODUCTIVE ENGINE	1	
2	974556	Pinion Z=16	1	
3	854909	Belleville spring	1	
4	854951	T bush	1	
5	AP9100389	Screw w/ flange M10x1,25	1	
6	856069	Sprocket cover	1	
7	AP8152277	Screw w/ flange M6x12	2	
8	AP8121811	T bush	2	
9	856079	Plate	1	
10	895223	Gear lever	1	
11	AP8120912	Lever rubber	1	
12	AP8201358	Hose clamp D 11,9	2	
13	AP8150137	Hex socket screw	1	

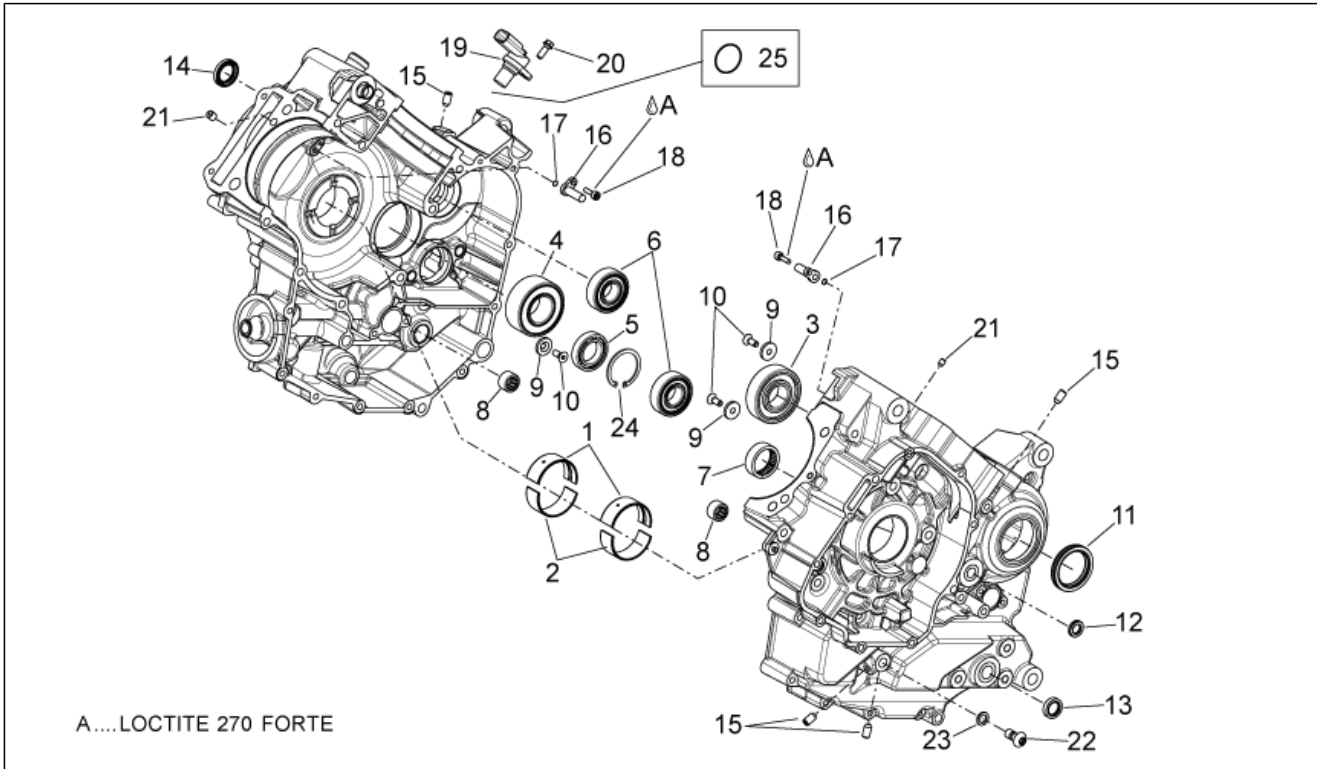


<b>Group</b>	MOTORE
<b>Code</b>	29.37
<b>Description</b>	Crankcases I
<b>Service</b>	1



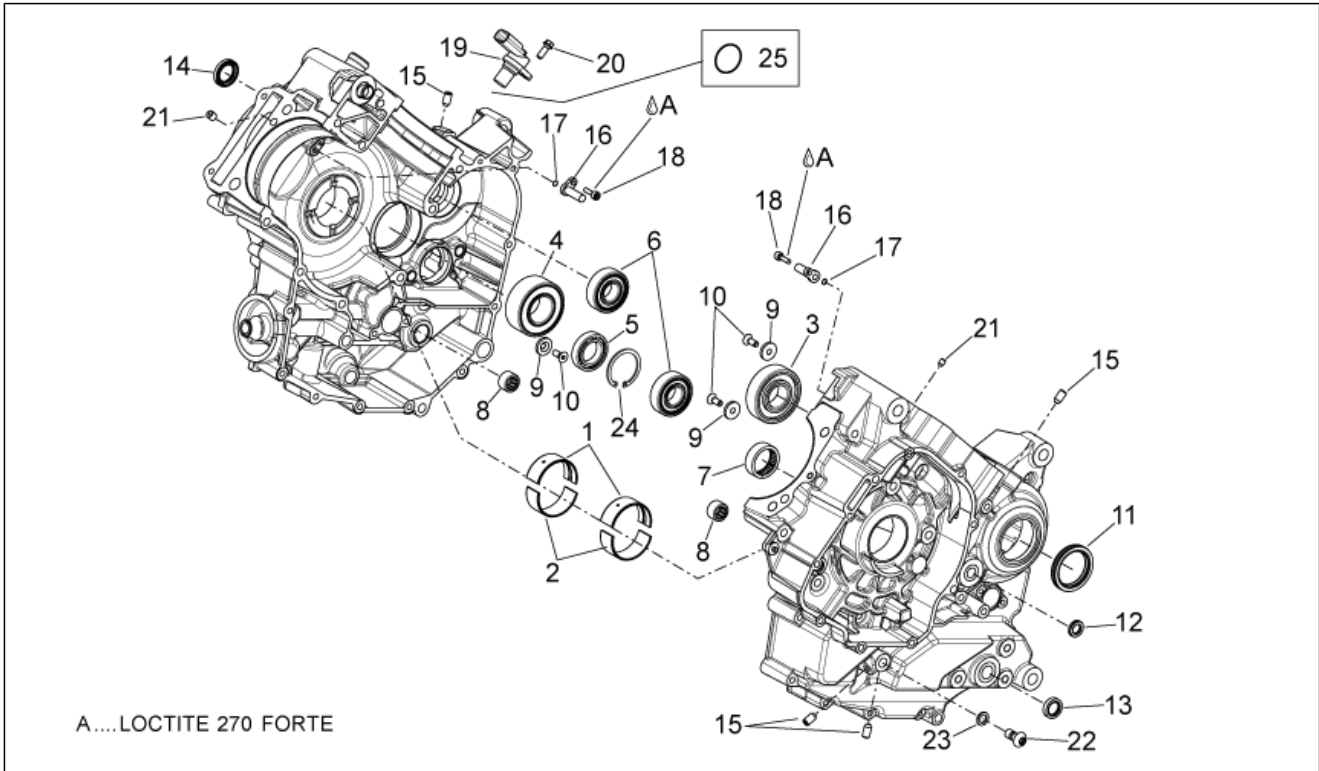
Pos.	Code	Description	Qty	Variants
1	8765105001	Central crank-case set cat1A	1	Technical specification:"Pump ""C"" "[PC]
1	8765105002	Central crank-case set cat2A	1	Technical specification:"Pump ""C"" "[PC]
1	8765105003	Central crank-case set cat1B	1	Technical specification:"Pump ""C"" "[PC]
1	8765105004	Central crank-case set cat2B	1	Technical specification:"Pump ""C"" "[PC]
1	8786895001	Central crank-case set cat1A	1	Technical specification:"Pump ""A"" "[PA]
1	8786895002	Central crank-case set cat2A	1	Technical specification:"Pump ""A"" "[PA]
1	B0136305001	Central crank-case set cat1	1	Technical specification:"Pump ""A"" "[PA]
1	B0136305002	Central crank-case set cat2	1	Technical specification:"Pump ""A"" "[PA]
1	B0151485001	Central crank-case set cat1A	1	Technical specification:"Pump ""B"" "[PB]
1	B0151485002	Central crank-case set cat1B	1	Technical specification:"Pump ""B"" "[PB]
1	B0151515001	Central crank-case set cat1A	1	Technical specification:"Pump ""B"" "[PB]
1	B0151515002	Central crank-case set cat1B	1	Technical specification:"Pump ""B"" "[PB]
2	974051	Locating dowel (D.15,8)	2	
3	877281	Stud bolt M10X1.25X166	8	
4	849911	Screw w/ flange	8	
5	848465	Screw w/ flange	9	
6	CM154101	Cylinder base gasket 0,4	1	
6	CM154102	Cylinder base gasket 0,6	1	
6	CM154104	Cylinder base gasket 0,5	1	
7	239388	Pin 6,5x9,5x15	1	
8	834317	Gasket ring OR	1	

<b>Group</b>	MOTORE
<b>Code</b>	29.38
<b>Description</b>	Crankcases II
<b>Service</b>	1



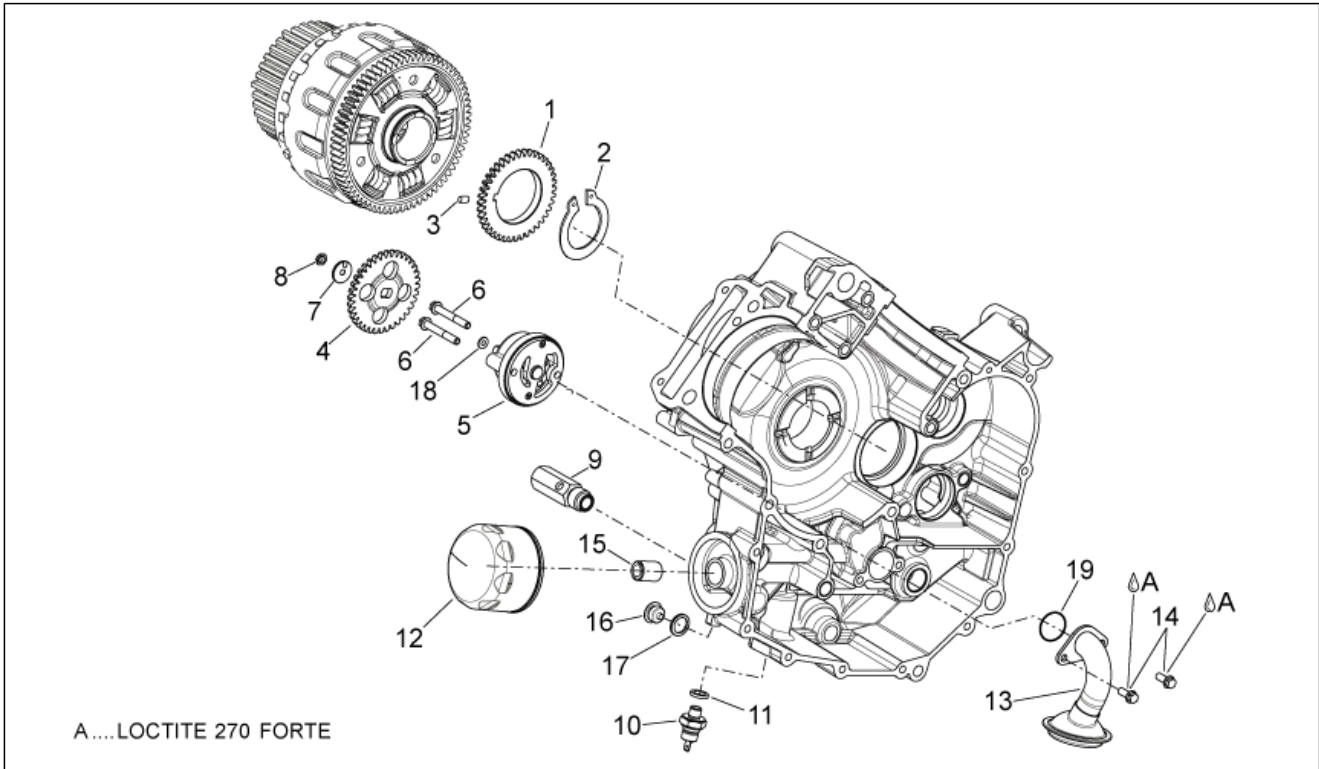
Pos.	Code	Description	Qty	Variants
1	9745050001	Bearing half-shell catA rosso	2	
1	9745050002	Bearing half-shell catB blu	2	
1	9745050003	Bearing half-shell catC giallo	2	
1	9745050004	Bearing half-shell catE verde	2	
2	9745060001	Bearing half-shell catA rosso	2	
2	9745060002	Bearing half-shell catB blu	2	
2	9745060003	Bearing half-shell catC giallo	2	
2	9745060004	Bearing half-shell catE verde	2	
3	848651	Ball bearing 25x62x17	1	
4	848475	Ball bearing 30x62x23,8	1	
5	872033	Ball bearing 25x42x9	1	
6	848650	Ball bearing 20x47x14	2	
7	974129	Cage à rouleaux 30x37x12	1	
8	122671	Cage à rouleaux	2	
9	873905	Washer	1	
9	873928	Washer	2	
10	AP9150394	Screw M6x12	3	
11	848474	Gasket ring	1	
12	825577	Gasket ring 8x16x7	1	
13	974112	Gasket ring 14x22x5	1	
14	82897R	Gasket ring 20x30x5	1	
15	430136	Plug	4	
16	847537	Oil sprayer pipe	2	
17	487073	Gasket ring	2	
18	292889	Hex socket screw M5x16	2	
19	832963	Phase/revolution sensor	1	
20	872432	Screw w/ flange	1	
21	873216	Dowel	2	

<b>Group</b>	MOTORE
<b>Code</b>	29.38
<b>Description</b>	Crankcases II
<b>Service</b>	1



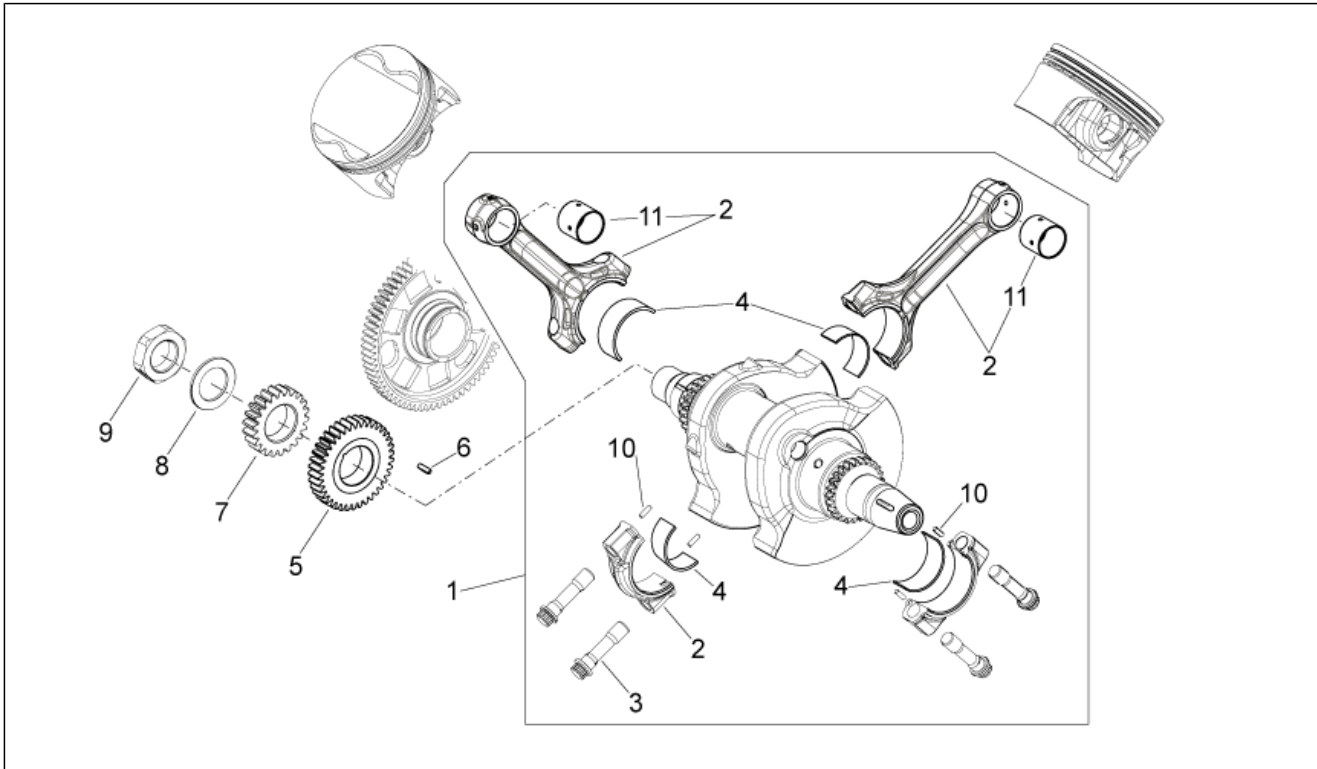
Pos.	Code	Description	Qty	Variants
22	849244	Special screw	1	
23	486075	Washer 10.5X16X2.5	1	
24	006642	Circlip	1	
25	478012	O-ring	1	

<b>Group</b>	MOTORE
<b>Code</b>	29.39
<b>Description</b>	Oil pump
<b>Service</b>	1



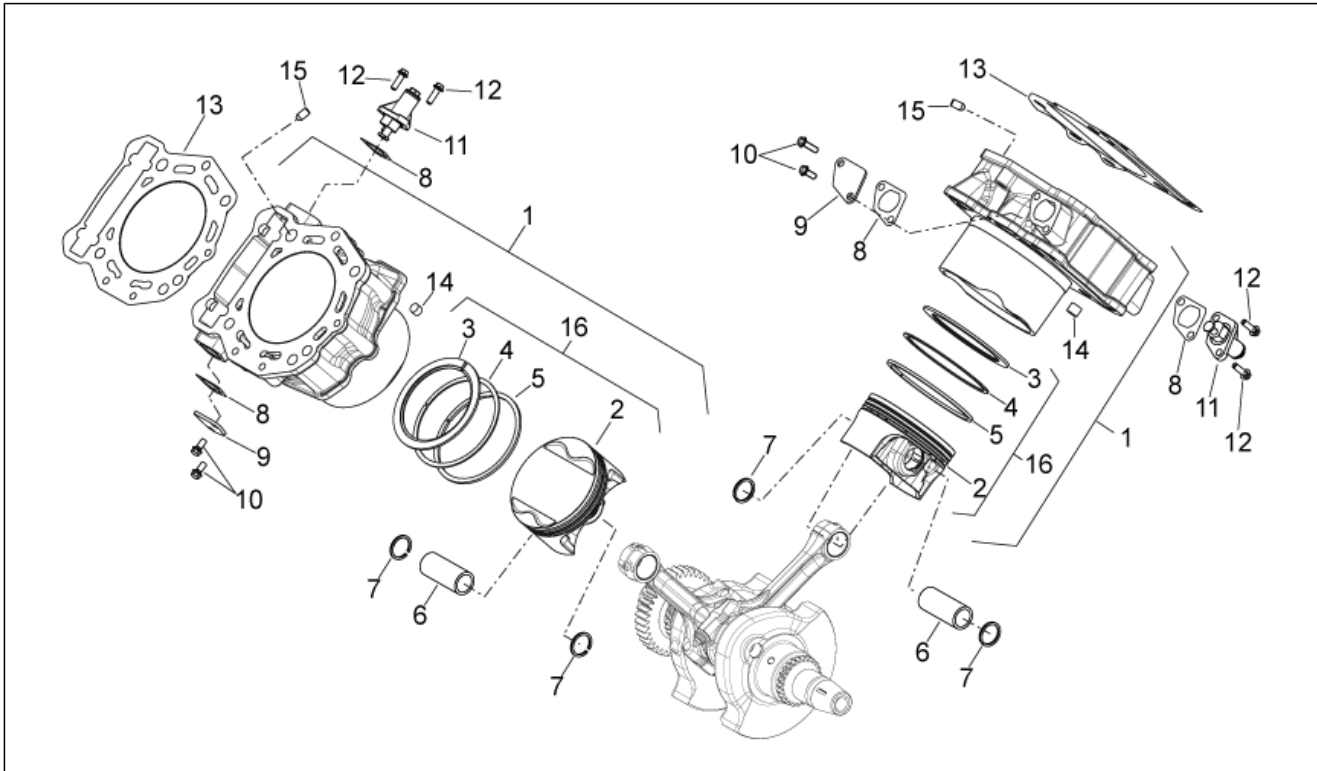
Pos.	Code	Description	Qty	Variants
1	974517	Oil pump gear	1	
2	006450	Snap ring	1	
3	974157	Roller	1	
4	873866	Oil pump gear	1	
5	873863	Oil pump assy.	1	
6	878871	Screw w/ flange	2	
7	873974	Safety washer	1	
8	873906	Low nut	1	
9	974282	Oil pressure valve	1	
10	641541	Oil pressure sensor	1	
11	486075	Washer 10.5X16X2.5	1	
12	82960R	Oil filter	1	
13	873612	Intake oil filter	1	
14	872432	Screw w/ flange	2	
15	829122	Oil filter union	1	
16	875358	Oil unload plug	1	
17	287174	Copper gasket	1	
18	974290	Shim washer	1	
19	969323	O-ring	1	

<b>Group</b>	MOTORE
<b>Code</b>	29.40
<b>Description</b>	Drive shaft
<b>Service</b>	1



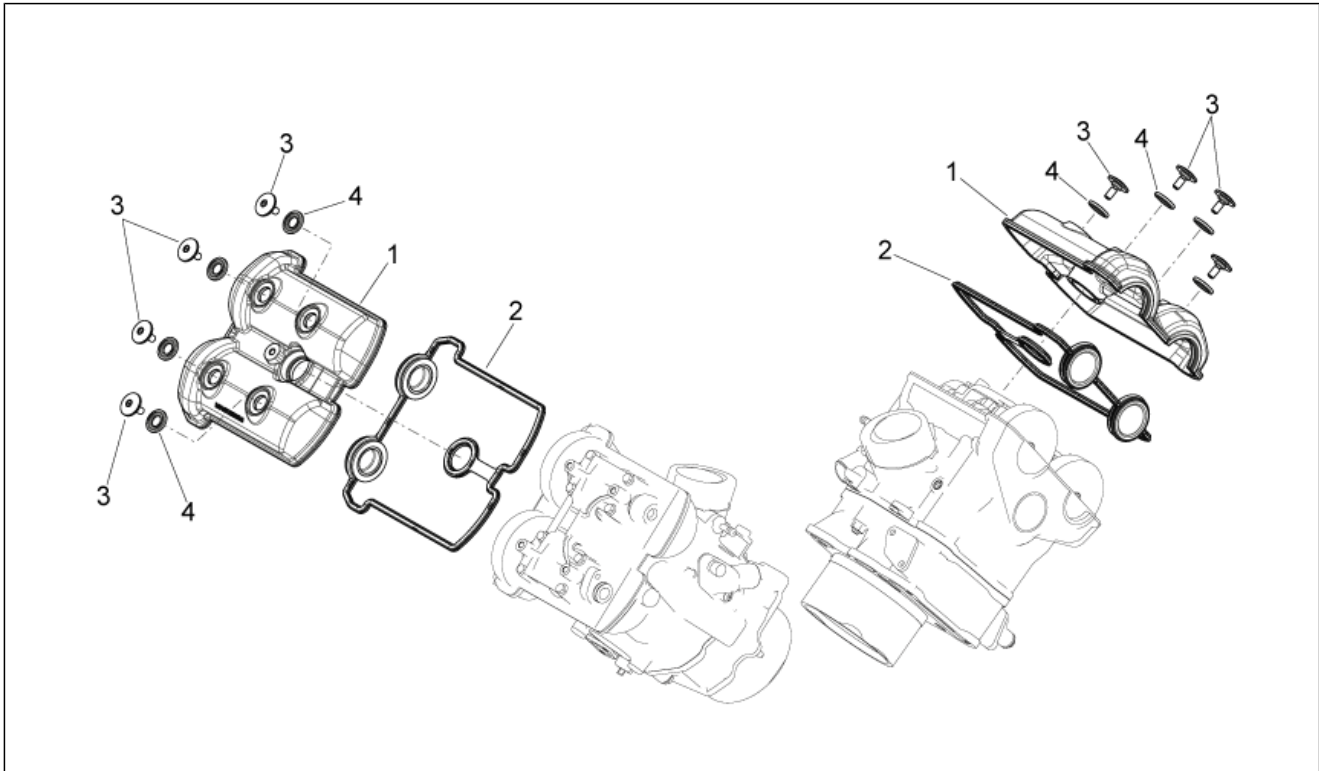
Pos.	Code	Description	Qty	Variants
1	8498735001	Crankshaft cpl.	1	
1	8498735002	Crankshaft cpl. cat2	1	
2	8491945001	Connecting rod cpl. catA nero	2	
2	8491945002	Connecting rod cpl. catB bianco	2	
3	849131	Connecting rod screw	2	
4	8751580001	Bushing half-shell, red catA	4	
4	8751580002	Bushing half-shell, blue catB	4	
4	8751580003	Bushing half-shell, yellow catC	4	
4	8751580004	Bushing half-shell, green catE	4	
5	CM159001	Primary drive gear catA	1	
5	CM159002	Primary drive gear catB	1	
6	000267	Transmission key	1	
7	849291	Water pump gear	1	Technical specification:"Pump ""C"" "[PC]
7	875819	Water pump gear	1	Technical specification:"Pump ""A"""[PA], "Pump ""B"""[PB]
8	847915	Flat washer	1	
9	849367	Nut	1	
10	847906	Roller	2	
11	847268	Bushing	1	

<b>Group</b>	MOTORE
<b>Code</b>	29.41
<b>Description</b>	Cylinder with piston
<b>Service</b>	1



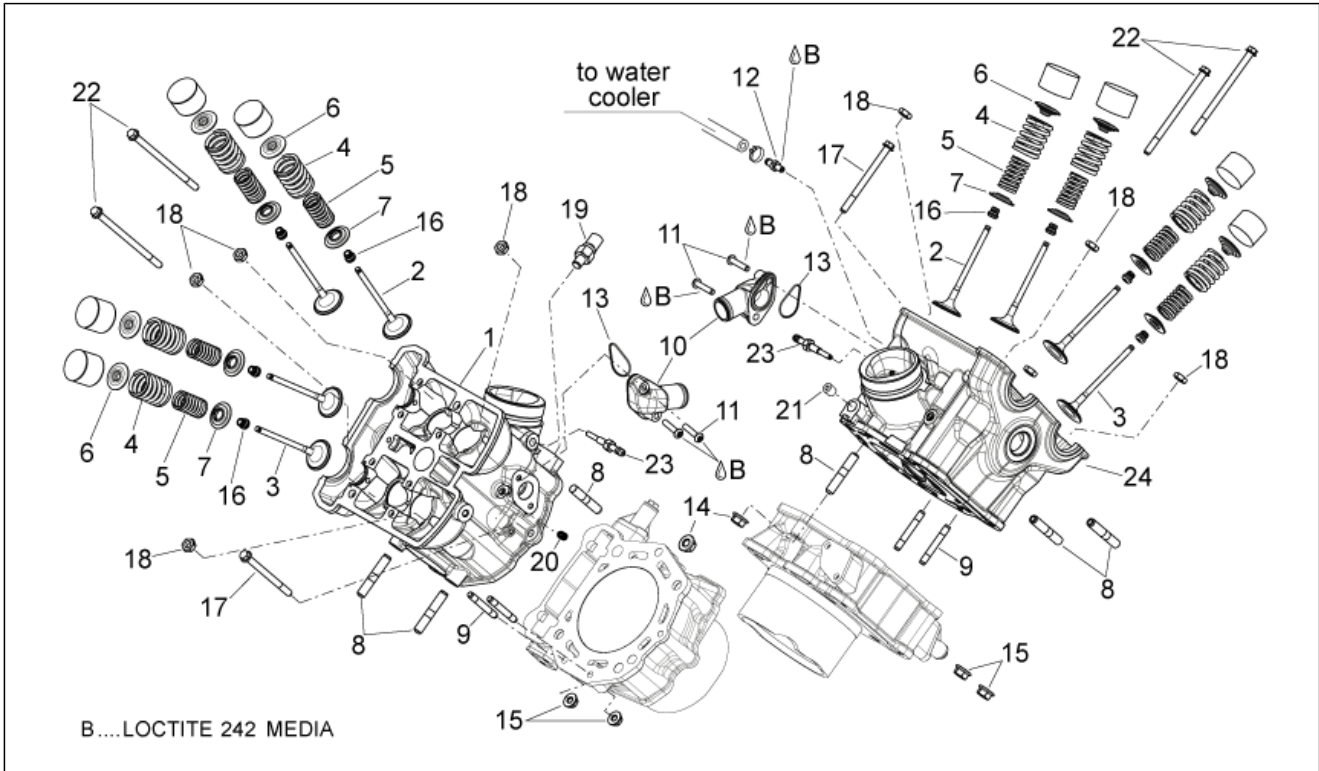
Pos.	Code	Description	Qty	Variants
1	848796	Cylinder - Piston	2	<b>Technical specification:</b> Aluminum Cylinder[AL]
1	B013758	Cylinder - Piston	2	<b>Technical specification:</b> Aluminum Cylinder[AL]
1	B017519	Cylinder - Piston	2	<b>Technical specification:</b> Cast-iron[GH]
2	8482860001	Piston catA 91,933-91,940	2	<b>Technical specification:</b> Aluminum Cylinder[AL]
2	8482860002	Piston catB 91,940-91,947	2	<b>Technical specification:</b> Aluminum Cylinder[AL]
2	8482860003	Piston catC 91,947-91,954	2	<b>Technical specification:</b> Aluminum Cylinder[AL]
2	8482860004	Piston catD 91,954-91,961	2	<b>Technical specification:</b> Aluminum Cylinder[AL]
3	872655	Ring	2	
4	872656	Oil scraper ring	2	
5	872657	Oil scraper ring	2	
6	848798	Piston pin	2	
7	828116	Stop ring	4	
8	847928	Gasket	4	
9	840135	Plate	2	
10	872425	Screw w/ flange	4	
11	82650R	Complete chain tensioner	2	
12	872432	Screw w/ flange	4	
13	871776	Cylinder head gasket	2	
14	825597	Pin 11,8X10	2	
15	874589	Calibrated dowel	2	
16	B0176490001	Piston assy "A"	2	<b>Technical specification:</b> Cast-iron[GH]
16	B0176490002	Piston assy "B"	2	<b>Technical specification:</b> Cast-iron[GH]
16	B0176490003	Piston assy "C"	2	<b>Technical specification:</b> Cast-iron[GH]
16	B0176490004	Piston assy "D"	2	<b>Technical specification:</b> Cast-iron[GH]

<b>Group</b>	MOTORE
<b>Code</b>	29.42
<b>Description</b>	Valves cover
<b>Service</b>	1



Pos.	Code	Description	Qty	Variants
1	873541	RH/LH head cover grey	2	
1	B013646	Head cover, black	2	
2	849558	Head cover gasket	2	
3	842291	Special screw	8	
4	830249	Damper drift	8	

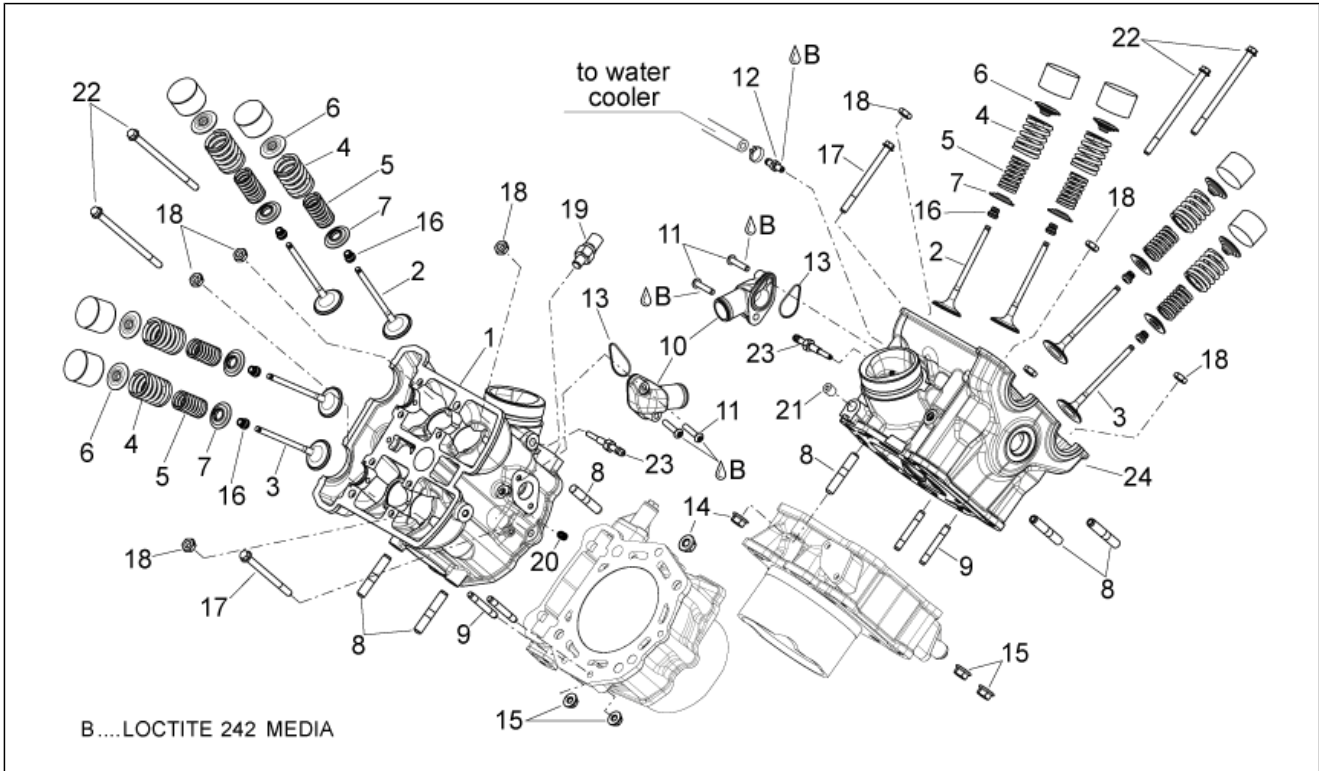
<b>Group</b>	MOTORE
<b>Code</b>	29.43
<b>Description</b>	Cylinder head - valves
<b>Service</b>	1



Pos.	Code	Description	Qty	Variants
1	83038R	Cylinder head assy.	1	
1	849213	Cylinder head assy.	1	
2	846923	Intake valve	4	
3	873459	Exhaust valve	4	
4	873005	Ext. valve spring	8	
5	873006	Int. valve spring	8	
6	847417	Upper cup	8	
7	846925	Lower cup	8	
8	827018	Exhaust pipe stud bolt M8X3X46	6	
9	872807	Stud bolt	4	
10	876877	Water hose union	2	Year:2011[B]
10	B013070	Water hose union	2	Year:2012[C], 2013[D]
11	872423	Hex socket screw	4	
12	873396	Joint	1	
13	878705	Gasket	2	
14	872434	Flanged nut	2	Year:2011[B]
14	874557	Flanged nut M8x1,25	2	Year:2012[C], 2013[D]
15	872816	Flanged nut	4	Year:2011[B]
15	874558	Flanged nut	4	Year:2012[C], 2013[D]
16	436438	Valve gasket ring	8	
17	872433	Screw w/ flange	2	
18	833520	Nut M10X1,25 6H	8	
19	640485	Temperature gauge	1	
20	842360	Plug M6x10	2	
21	411311	Plug	1	
22	872424	Screw w/ flange	4	
23	872948	Joint	2	
24	83039R	Rear cylinder head cpl.	1	

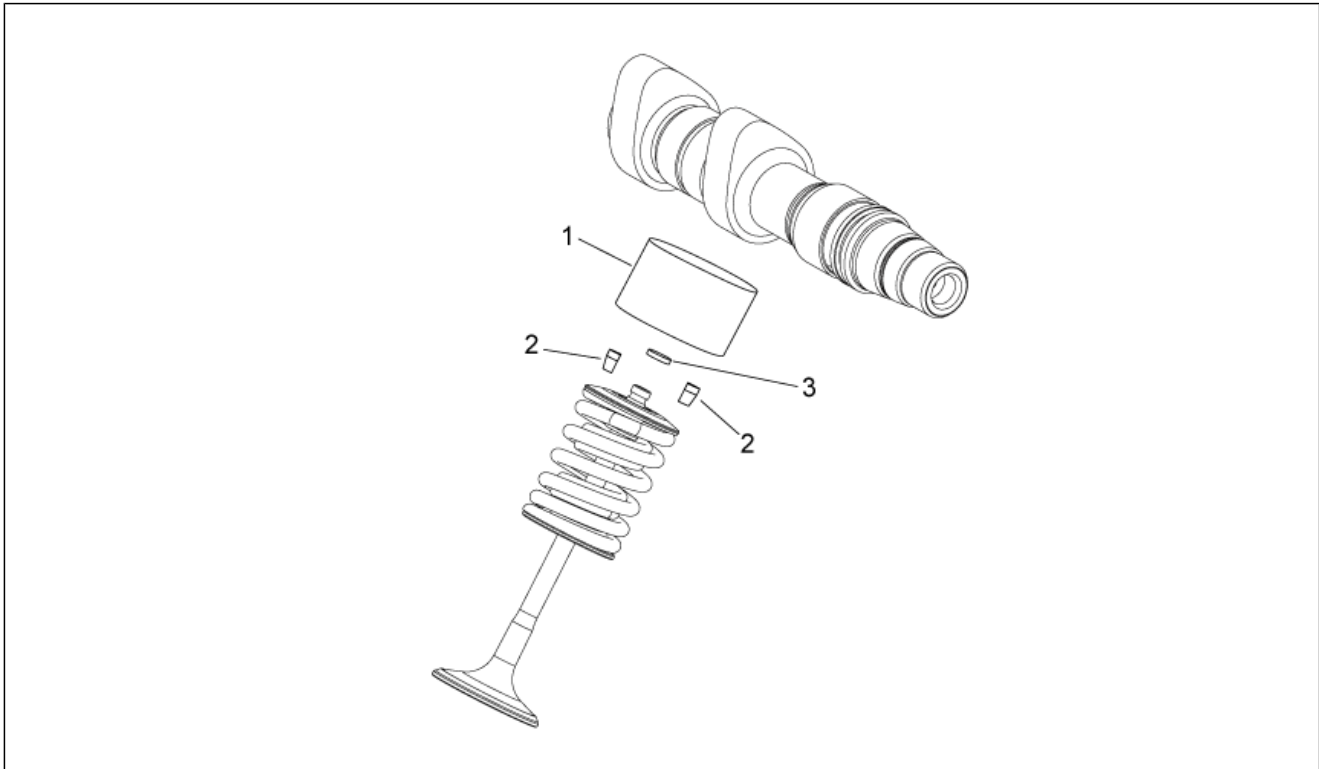


<b>Group</b>	MOTORE
<b>Code</b>	29.43
<b>Description</b>	Cylinder head - valves
<b>Service</b>	1



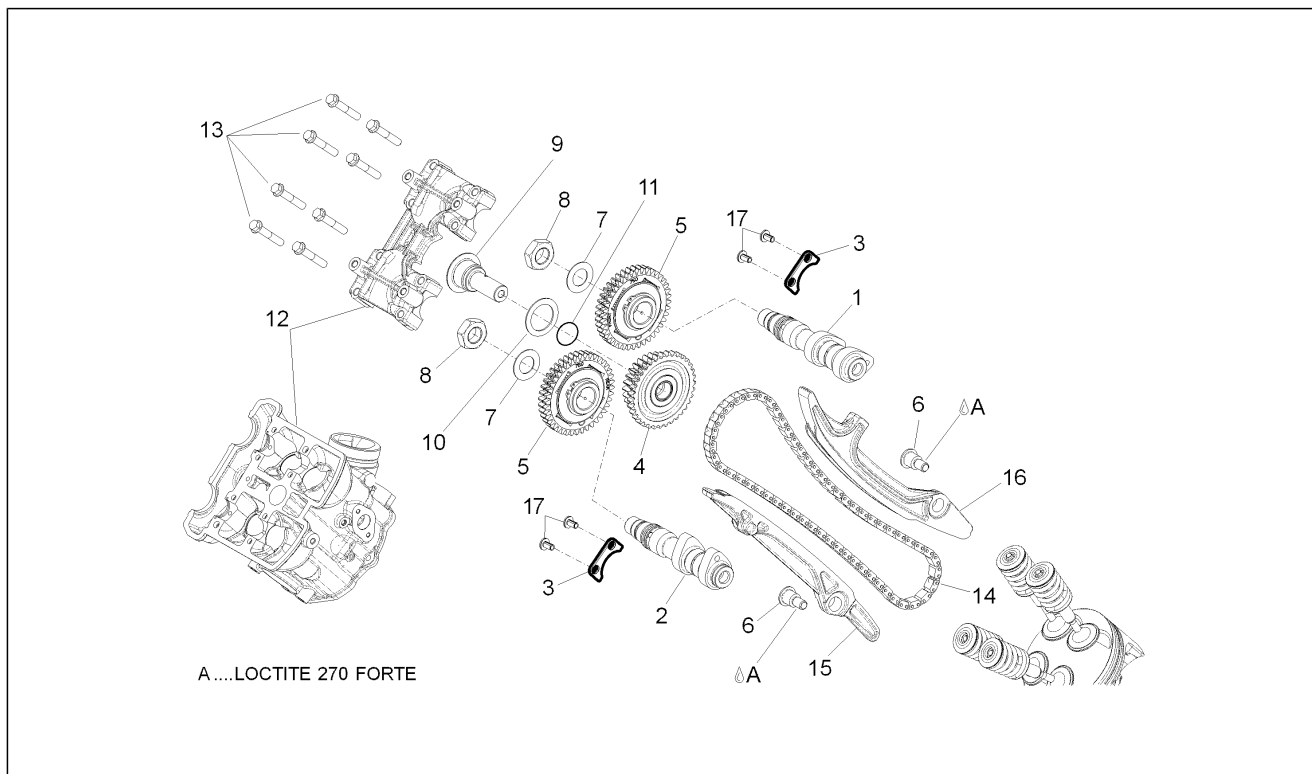
Pos.	Code	Description	Qty	Variants
24	875413	Cylinder head assy.	1	

<b>Group</b>	MOTORE
<b>Code</b>	29.44
<b>Description</b>	Valves pads
<b>Service</b>	1



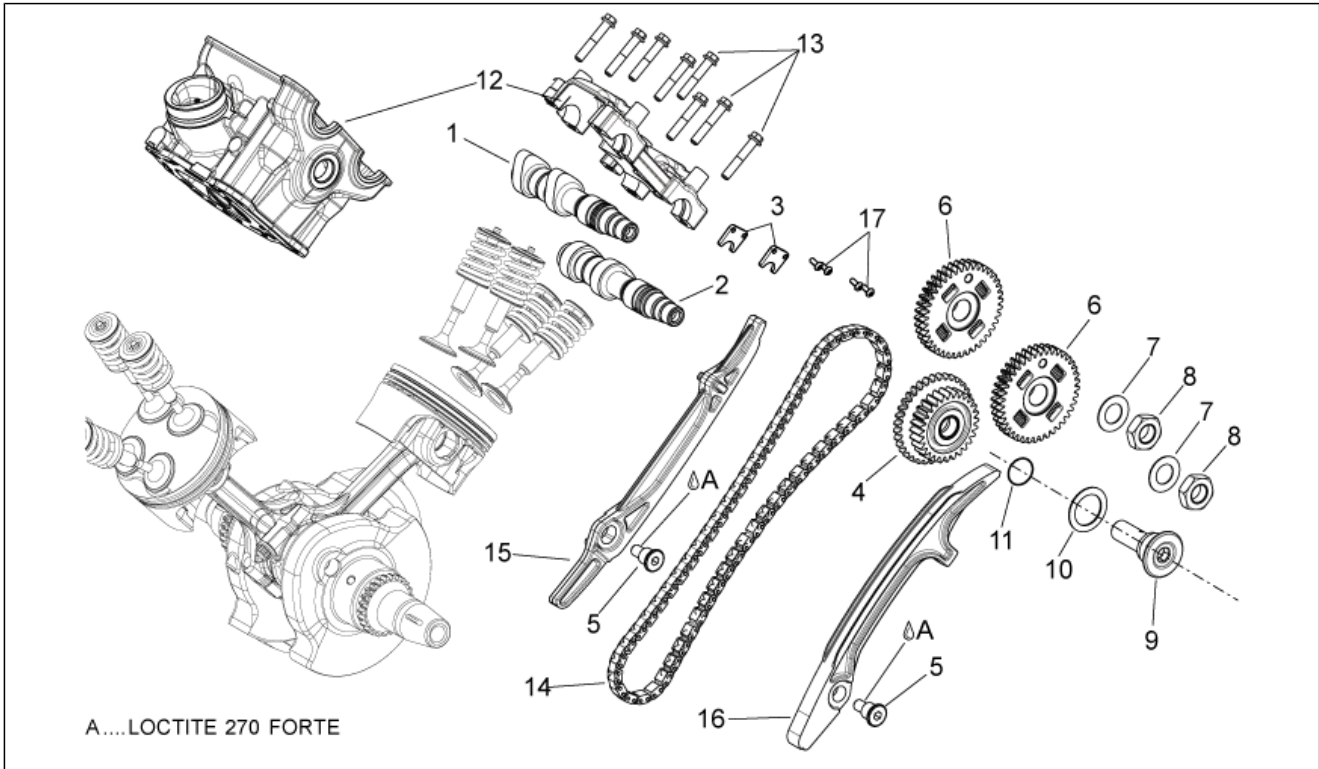
Pos.	Code	Description	Qty	Variants
1	873082	Tappet closing	8	
2	285846	Valve half-cone	16	
3	CM157201	Calibrated tablet 2.60	1	
3	CM157202	Calibrated tablet 2.65	1	
3	CM157203	Calibrated tablet 2.70	1	
3	CM157204	Calibrated tablet 2.75	1	
3	CM157205	Calibrated tablet 2.80	1	
3	CM157206	Calibrated tablet 2.85	1	
3	CM157207	Calibrated tablet 2.90	1	
3	CM157208	Calibrated tablet 2.95	1	
3	CM157209	Calibrated tablet 3.00	1	
3	CM157210	Calibrated tablet 3.05	1	
3	CM157211	Calibrated tablet 3.10	1	
3	CM157212	Calibrated tablet 3.15	1	
3	CM157213	Calibrated tablet 3.20	1	
3	CM157214	Calibrated tablet 3.25	1	
3	CM157215	Calibrated tablet 3.30	1	
3	CM157216	Calibrated tablet 3.35	1	
3	CM157217	Calibrated tablet 3.40	1	
3	CM157218	Calibrated tablet 2.55	1	
3	CM157219	Calibrated tablet 2.50	1	
3	CM157220	Calibrated tablet 2.45	1	
3	CM157221	Calibrated tablet 2.40	1	

<b>Group</b>	MOTORE
<b>Code</b>	29.45
<b>Description</b>	Front cylinder timing system
<b>Service</b>	1



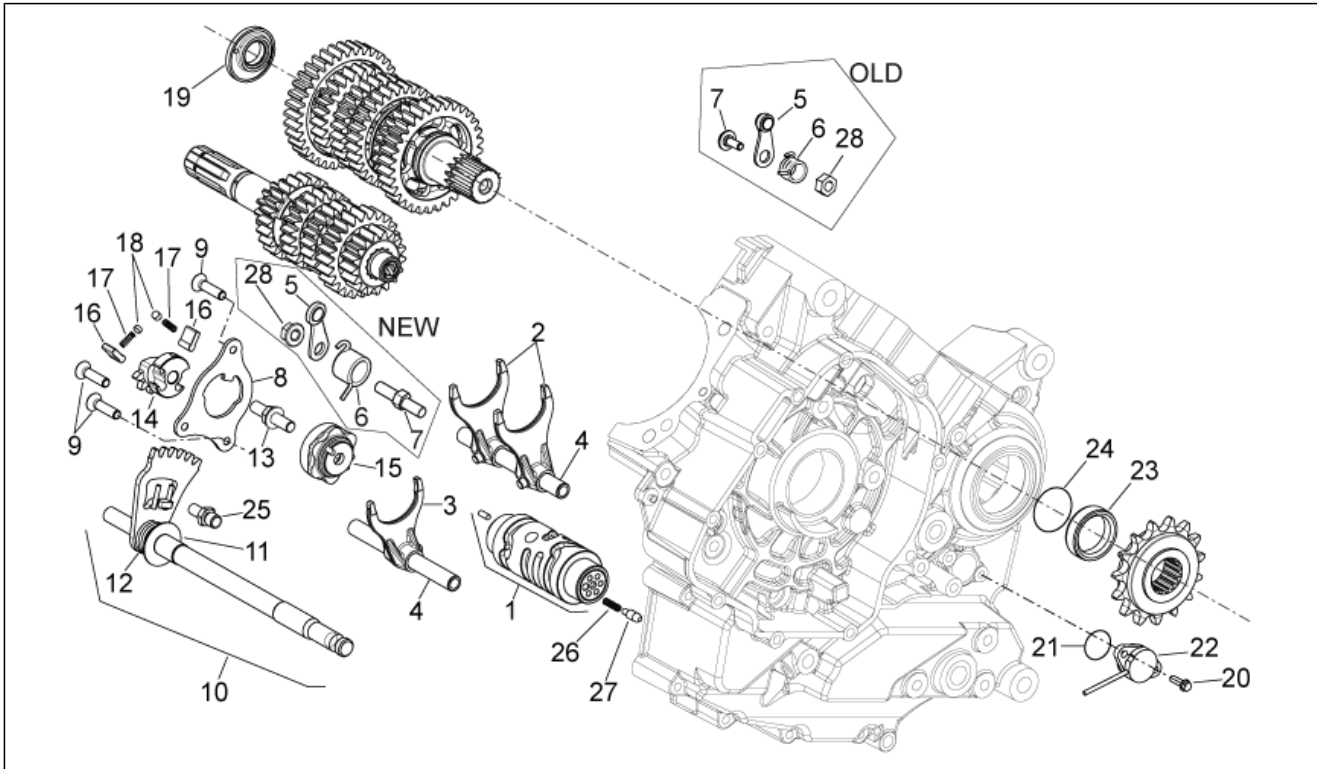
Pos.	Code	Description	Qty	Variants
1	873960	Front intake camshaft	1	
2	873961	Front exhaust camshaft	1	
3	874176	Axial lock plate	2	
4	8745964	Timing system gear cpl.	1	
5	849909	Front timing system gear cpl.	2	
6	974228	Spacer screw	2	
7	849771	Thrust washer	2	
8	849719	Nut M15x1 DX	2	
9	874591	Special screw	1	
10	849817	Safety washer	2	
11	873233	Gasket ring	1	
12	83038R	Cylinder head assy.	1	
12	849213	Cylinder head assy.	1	
13	878439	Torx convex big end screw	8	
14	849827	Camshaft chain	1	
15	871798	Chain guide plate	1	
16	871748	Chain tensioner rod	1	
17	874185	Screw	4	

<b>Group</b>	MOTORE
<b>Code</b>	29.46
<b>Description</b>	Rear cylinder timing system
<b>Service</b>	1



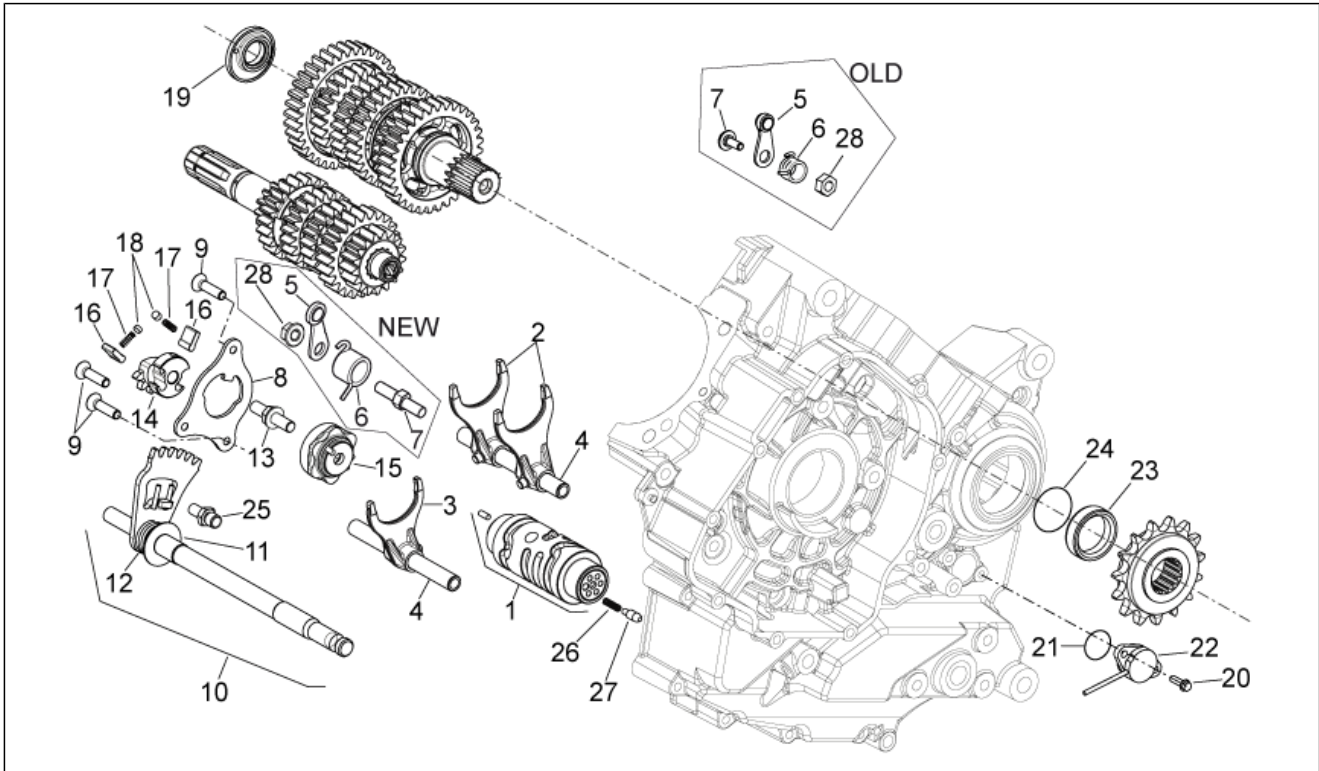
Pos.	Code	Description	Qty	Variants
1	873962	Rear intake camshaft	1	
2	873963	Rear exhaust camshaft	1	
3	874176	Axial lock plate	2	
4	8745964	Timing system gear cpl.	1	
5	974228	Spacer screw	2	
6	849910	Rear timing system gear cpl.	2	
7	849771	Thrust washer	2	
8	849722	Nut M15x1 SX	2	
9	874591	Special screw	1	
10	849817	Safety washer	2	
11	873233	Gasket ring	1	
12	83039R	Rear cylinder head cpl.	1	
12	875413	Cylinder head assy.	1	
13	878439	Torx convex big end screw	8	
14	849827	Camshaft chain	1	
15	871798	Chain guide plate	1	
16	871748	Chain tensioner rod	1	
17	874185	Screw	4	

<b>Group</b>	MOTORE
<b>Code</b>	29.47
<b>Description</b>	Gear box selector
<b>Service</b>	1



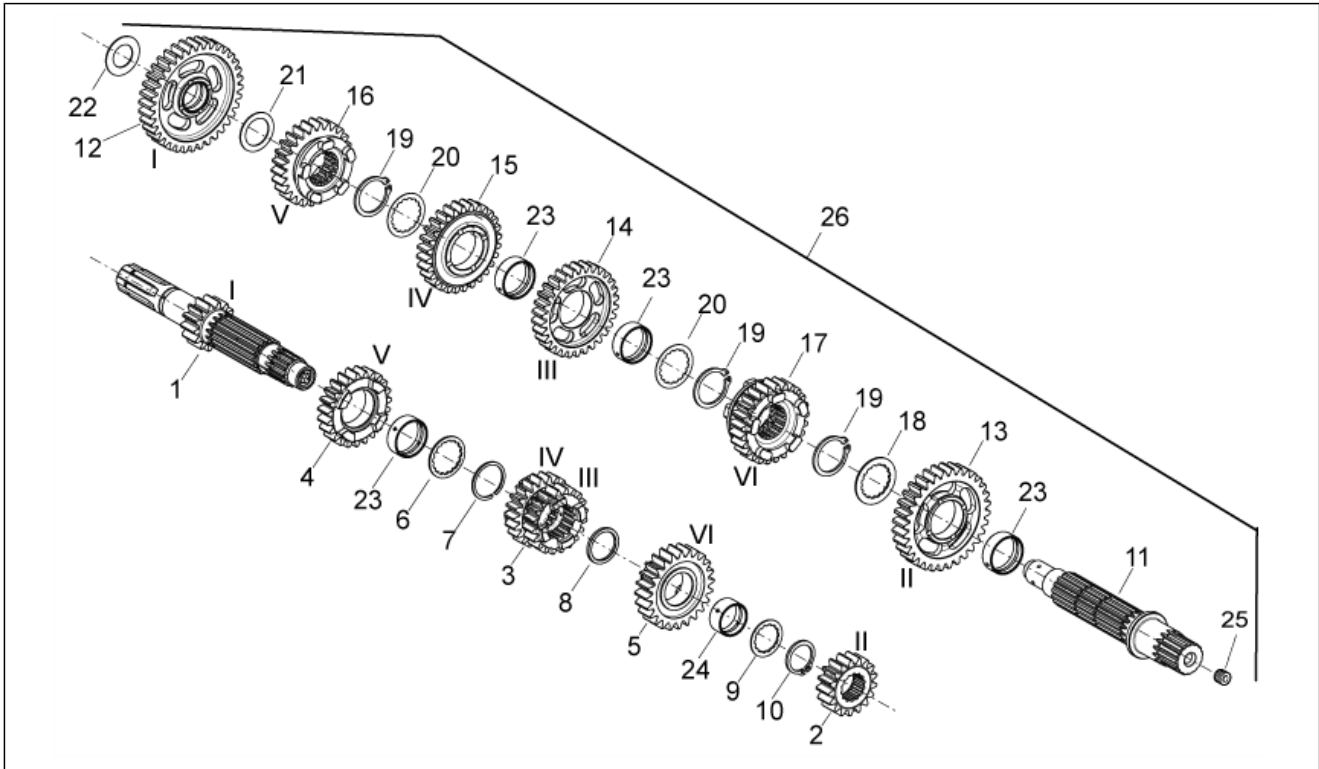
Pos.	Code	Description	Qty	Variants
1	849693	Selector drum	1	
2	849360	Fork	2	
3	849468	Fork	1	
4	974084	Fork shaft	2	
5	872154	Index assy. lever	1	
6	871669	Gear stop lever spring	1	
7	879129	Screw with bushing M6X1X15	1	<b>Technical specification:</b> Old version[old]
7	B013928	Threaded pin	1	<b>Technical specification:</b> New version[new]
8	871649	Selector lock plate	1	
9	878867	screw	3	
10	874129	Gear shaft+spring cpl.	1	
11	971718	Flat washer 14X30X1	1	
12	971719	Switch plate spring	1	
13	878870	Threaded pin M8x1,25	1	
14	872560	Shift cam plate	1	
15	B013362	Selector drum	1	
16	AP9150069	Lever	2	
17	AP9150064	Spring	2	
18	AP9150070	Spring pillar	2	
19	878742	Wheel speed sensor, left front	1	
20	844211	Hex socket screw	2	
21	AP9150479	O-ring D23,52x1,78	1	
22	58188R	Sensor	1	
23	974558	Spacer	1	
24	871901	Gasket OR	1	
25	974130	Selector lock	1	
26	873695	Spring	1	
27	AP9150003	Spring pillar	1	

<b>Group</b>	MOTORE
<b>Code</b>	29.47
<b>Description</b>	Gear box selector
<b>Service</b>	1



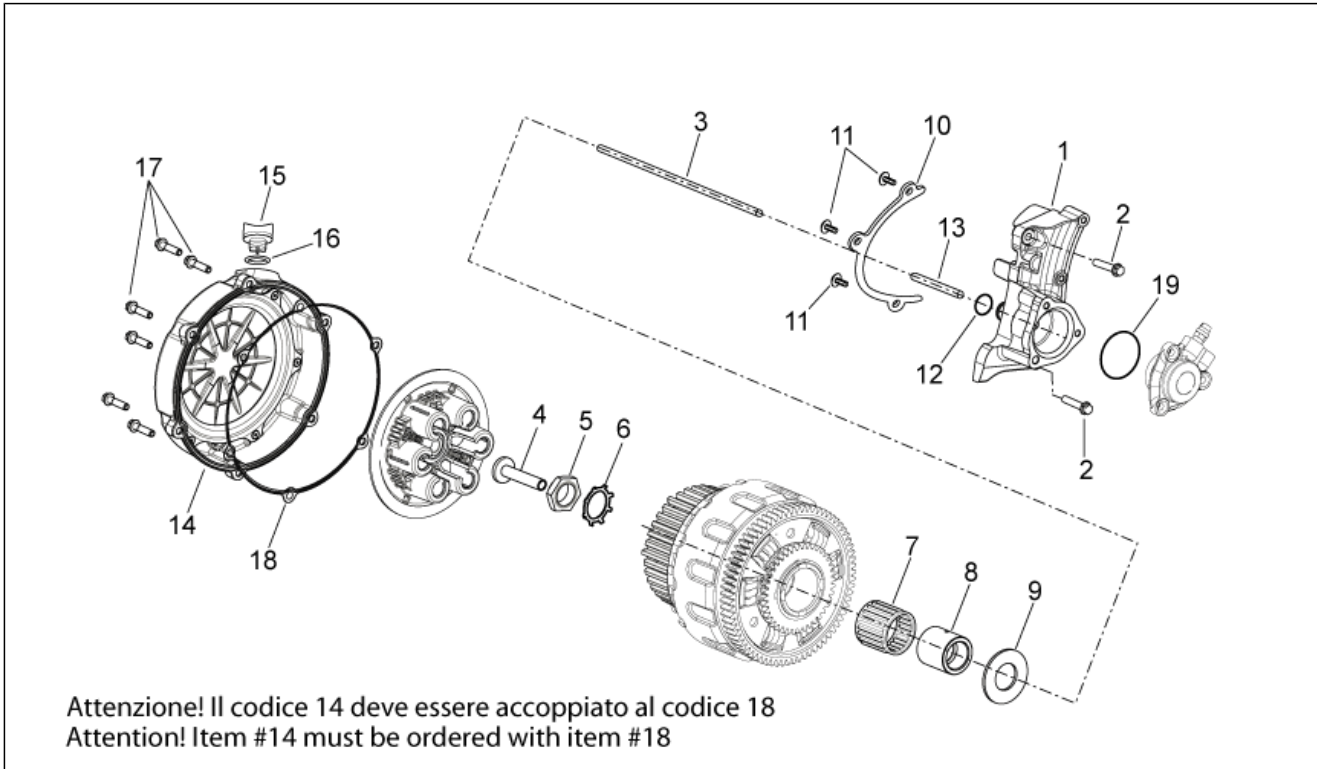
Pos.	Code	Description	Qty	Variants
28	006175	Plain washer	1	Technical specification:Old version[old]
28	597565	Self locking nut	1	Technical specification:New version[new]

<b>Group</b>	MOTORE
<b>Code</b>	29.48
<b>Description</b>	Gear box
<b>Service</b>	1



Pos.	Code	Description	Qty	Variants
1	849293	Primary gear shaft Z=14	1	
2	849295	2nd pinion gear Z=17	1	
3	849296	3rd-4th pinion gear Z=20/22	1	
4	849297	5th pinion gear Z=23	1	
5	849298	6th pinion gear Z=24	1	
6	849424	Clearance washer	1	
7	849426	Snap ring	1	
8	974163	Clearance washer	1	
9	849396	Clearance washer	1	
10	974165	Snap ring	1	
11	849301	Gearbox driven shaft	1	
12	849312	1st wheel gear Z=36	1	
13	849303	2nd wheel gear Z=32	1	
14	849304	3rd wheel gear Z=30	1	
15	849305	4th wheel gear Z=28	1	
16	849306	5th wheel gear Z=26	1	
17	849307	6th wheel gear Z=25	1	
18	849309	Clearance washer	1	
19	849311	Snap ring	3	
20	849310	Clearance washer	2	
21	974167	Clearance washer	1	
22	974166	Clearance washer	1	
23	849308	Moveable bush	4	
24	974162	Moveable bush	1	
25	842507	Plug M10x10	1	
26	82935R	Gear box assy	1	

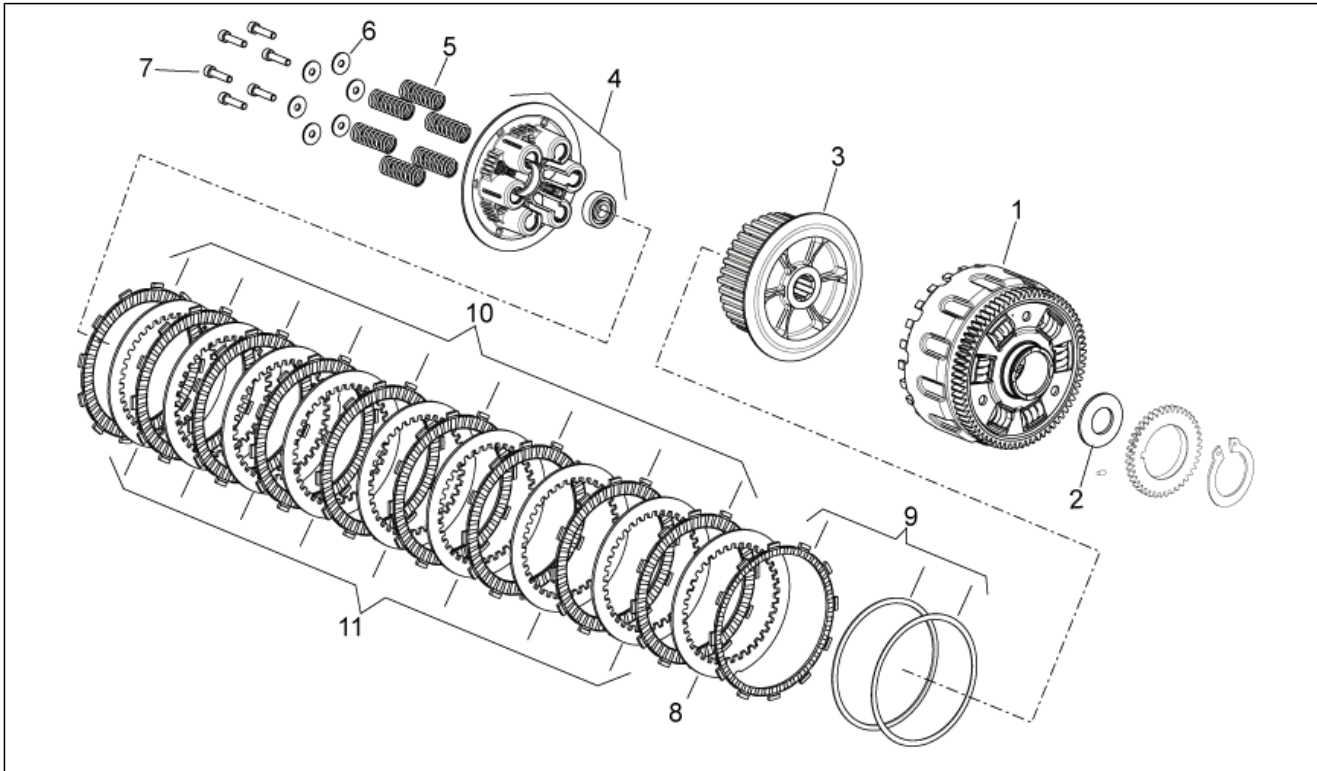
<b>Group</b>	MOTORE
<b>Code</b>	29.49
<b>Description</b>	Clutch I
<b>Service</b>	1



Pos.	Code	Description	Qty	Variants
1	872850	Clutch disengagement flange	1	
2	872421	Screw w/ flange	2	
3	874660	Clutch shaft	1	
4	873127	Rod	1	
5	876790	Nut	1	
6	876296	Safety washer	1	
7	877138	Roller cage 35X40X35,8	1	<b>Technical specification:</b> Hongzheng[HH]
7	974361	Roller cage 35X40X35,8	1	<b>Technical specification:</b> Adler[AD]
8	873543	Spacer	1	<b>Technical specification:</b> Adler[AD]
8	876477	Spacer	1	<b>Technical specification:</b> Hongzheng[HH]
9	974320	Washer	1	
10	873117	Chain guide	1	
11	831153	Screw	3	
12	871609	Gasket ring "OR"	1	
13	874191	Pawl clutch	1	
14	8725174	Complete clutch cover	1	
14	880779	Clutch cover	1	
14	80136345	Clutch cover cpl., black	1	
15	873995	Oil load plug	1	
16	974230	Gasket ring OR	1	
17	871094	Screw w/ flange	6	
18	871095	O-ring	1	
18	875725	Paper gasket	1	
19	825577	Gasket ring 8x16x7	1	

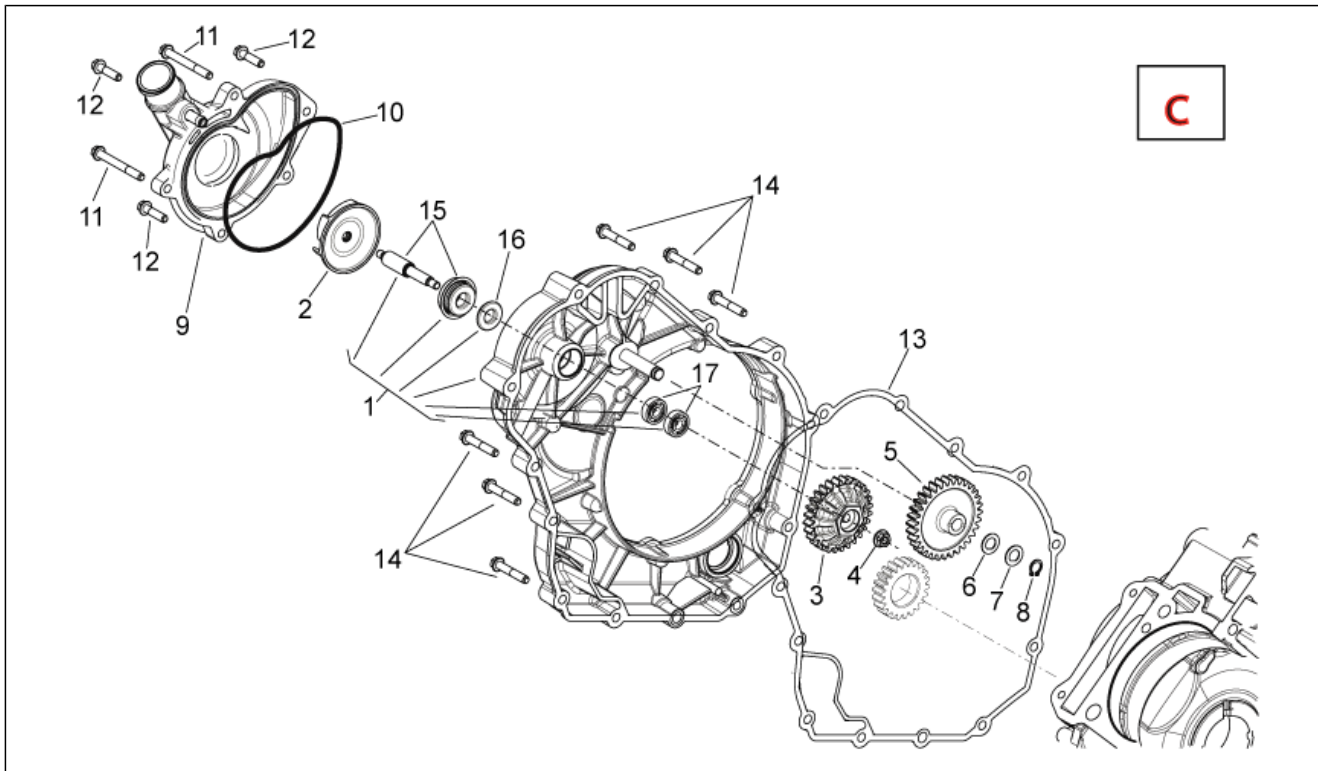


<b>Group</b>	MOTORE
<b>Code</b>	29.50
<b>Description</b>	Clutch II
<b>Service</b>	1



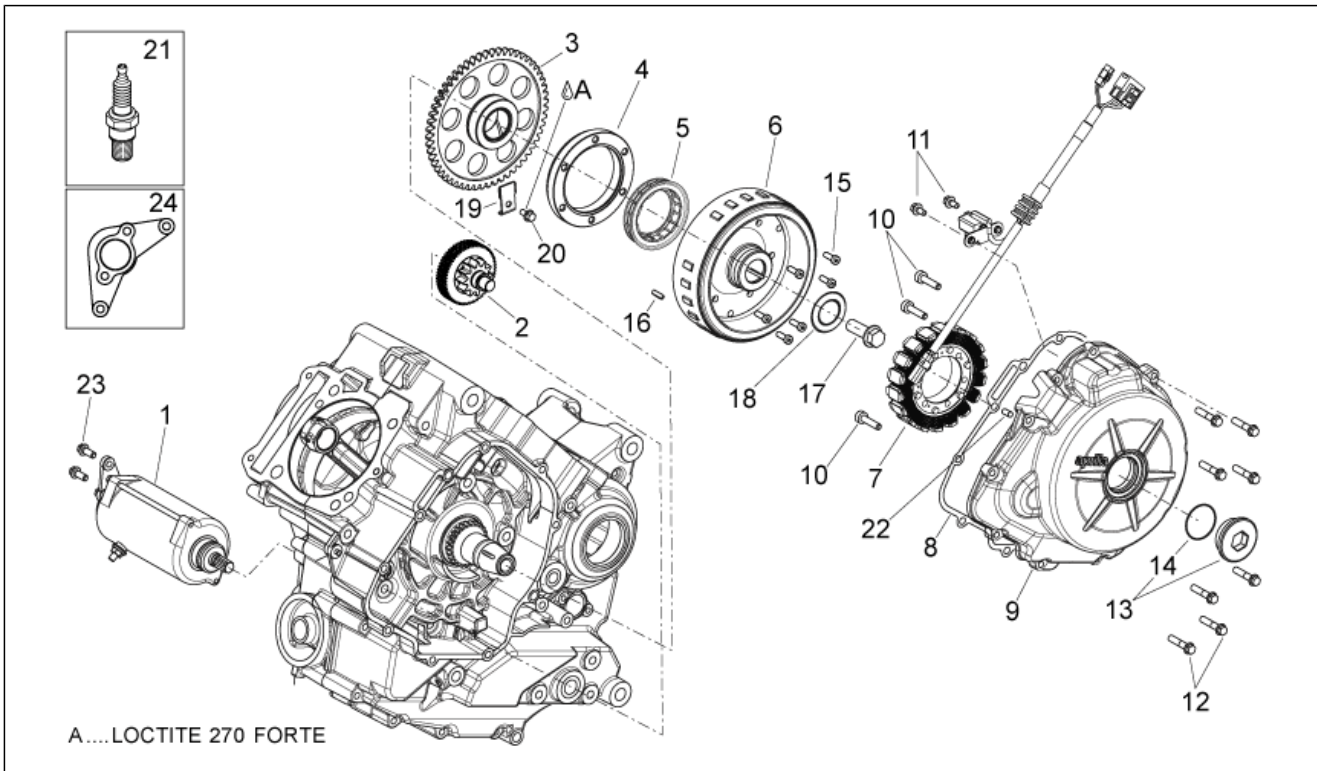
Pos.	Code	Description	Qty	Variants
1	872129	Clutch housing, complete	1	Technical specification:Hongzheng[HH]
1	873706	Clutch housing, complete	1	Technical specification:Adler[AD]
2	974320	Washer	1	
3	872125	Clutch hub	1	Technical specification:Hongzheng[HH]
3	873715	Clutch hub	1	Technical specification:Adler[AD]
4	872213	Clutch pressure plate	1	Technical specification:Hongzheng[HH]
4	873719	Clutch pressure plate	1	Technical specification:Adler[AD]
5	873722	Clutch spring	6	Technical specification:Adler[AD]
5	879421	Clutch spring	6	Technical specification:Hongzheng[HH]
6	873717	Washer	6	Technical specification:Adler[AD]
7	873718	Hex socket screw M6	6	Technical specification:Adler[AD]
7	876595	Hex socket screw M6	6	Technical specification:Hongzheng[HH]
8	873725	Nitruated driven clutch disc	1	Technical specification:Adler[AD]
8	877131	Nitruated driven clutch disc	1	Technical specification:Hongzheng[HH]
9	860329	Kit clutch disc	1	Technical specification:Adler[AD]
9	B046129	***CLUTCH PLATE	1	Technical specification:Hongzheng[HH]
10	872126	Driving clutch disc	9	Technical specification:Hongzheng[HH]
10	873724	Driving clutch disc	9	Technical specification:Adler[AD]
11	872127	Driven clutch disc	8	Technical specification:Hongzheng[HH]
11	873723	Driven clutch disc	8	Technical specification:Adler[AD]

<b>Group</b>	MOTORE
<b>Code</b>	29.51
<b>Description</b>	Water pump
<b>Service</b>	1



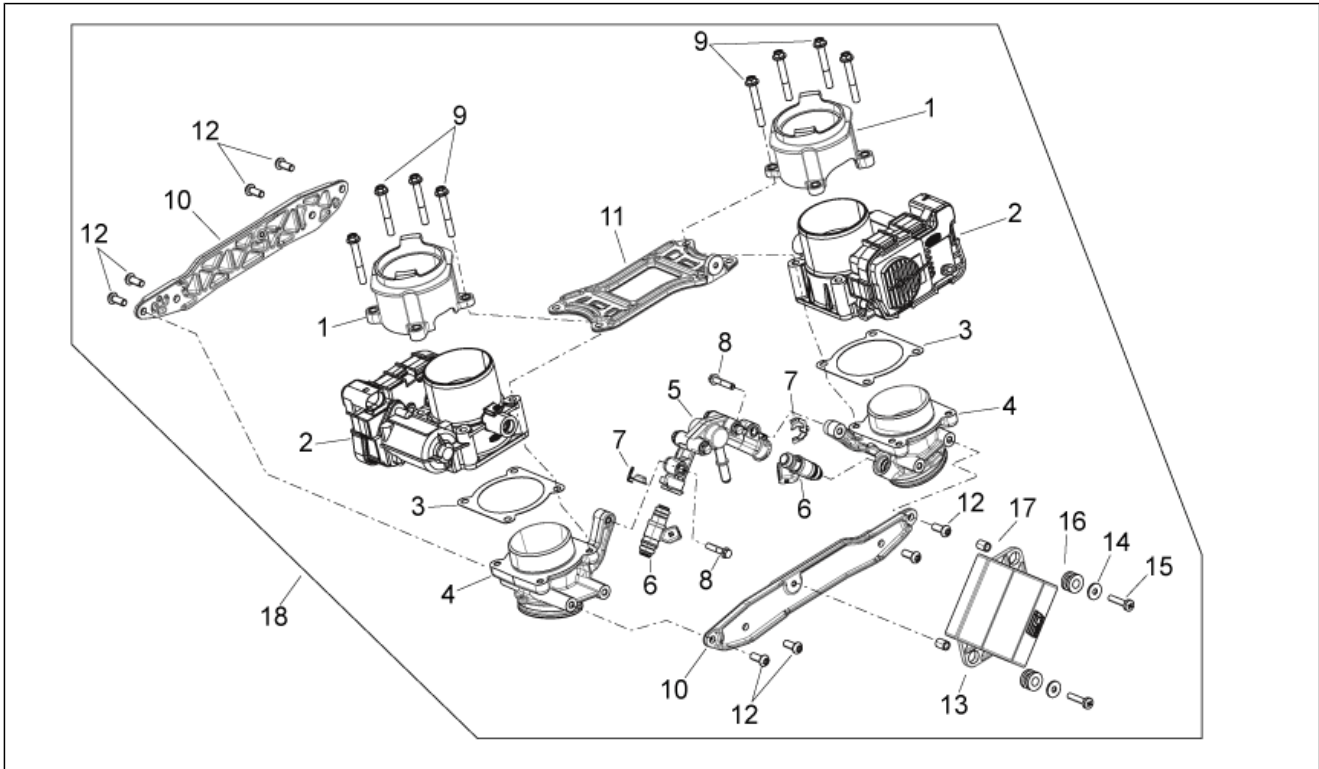
Pos.	Code	Description	Qty	Variants
1	871657	Clutch side cover	1	
2	873599	Water pump impeller cpl.	1	
3	871180	Water pump driven gear	1	
4	872816	Flanged nut	1	
5	8743975	Intermediate gear	1	
6	848280	Flat washer	1	
7	873473	Flat washer	1	
8	006410	Gasket ring	1	
9	871068	Water pump cover	1	
10	848209	Gasket OR	1	
11	872422	Screw w/ flange	2	
12	871094	Screw w/ flange	3	
13	874619	Gasket	1	
14	872117	Screw w/ flange	13	
15	873497	Water pump rod with U.P.	1	
16	871258	Gasket ring 12-20-5	1	
17	871255	Radial ball bearing	2	

<b>Group</b>	MOTORE
<b>Code</b>	29.52
<b>Description</b>	Ignition unit
<b>Service</b>	1



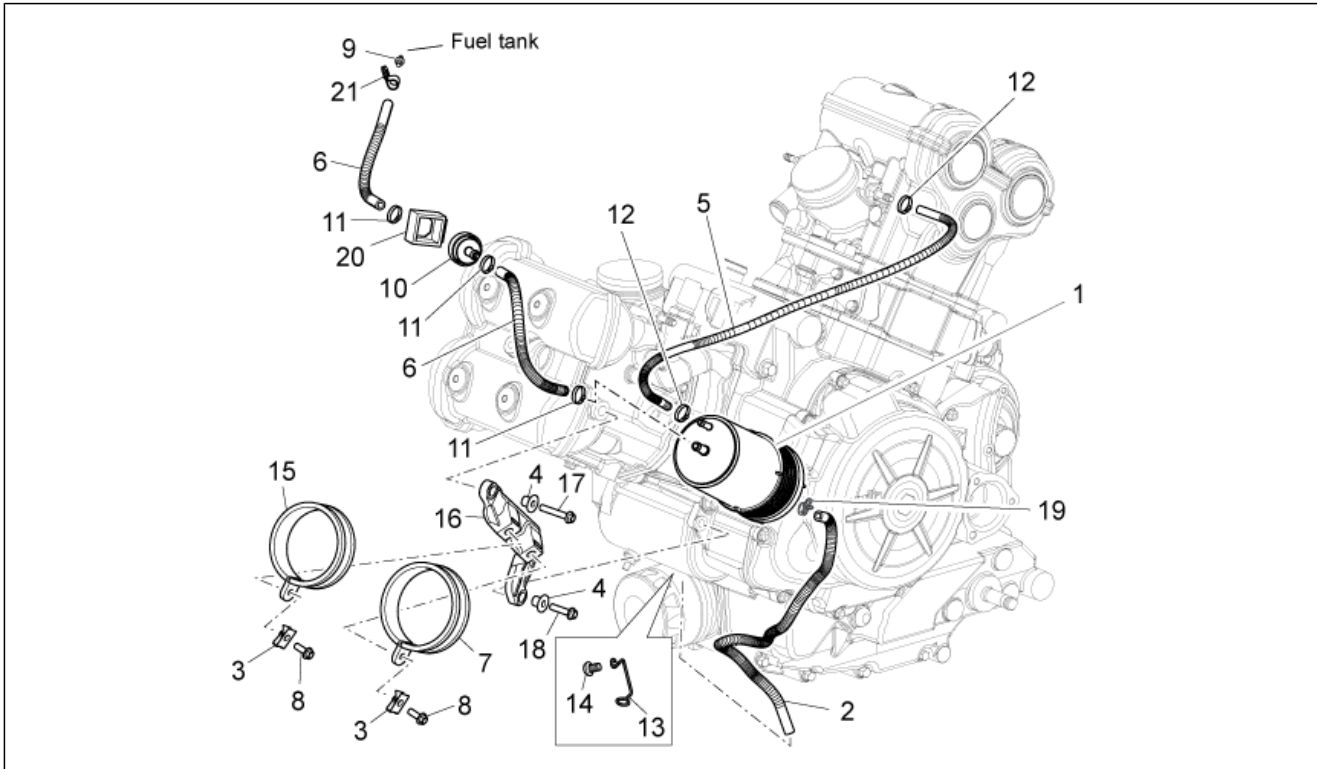
Pos.	Code	Description	Qty	Variants
1	82697R	Starter motor	1	
2	878384	Torque limiter	1	
3	848714	Starter motor gear	1	
4	830390	Sprag clutch housing	1	
5	82945R	Sprag clutch	1	
6	640169	Rotor cpl.	1	
7	640168	Stator cpl.	1	
8	974033	Flywheel housing cover gasket	1	
9	872437	Flywheel cover, grey	1	
9	8014391	Flywheel cover, black	1	
10	597564	screw	3	
11	015715	Screw M5x16	2	
12	872421	Screw w/ flange	10	
13	8716755	Cover	1	
14	974219	Gasket	1	
15	841915	Hex socket screw	6	
16	000267	Transmission key	1	
17	831148	Screw w/ flange M14x1,5	1	
17	848341	Screw w/ flange M12x1.25	1	
18	825725	Flat washer 14.1x30x3	1	
18	871494	Washer 12,5X32X3,5	1	
19	848845	Plate	1	
20	878872	Screw w/ flange	1	
21	829981	Spark plug NGK R CR7EK	2	
22	277916	Locating dowel	2	
23	872432	Screw w/ flange	2	
24	849923	Maintenance	1	

<b>Group</b>	MOTORE
<b>Code</b>	29.53
<b>Description</b>	Throttle body
<b>Service</b>	1



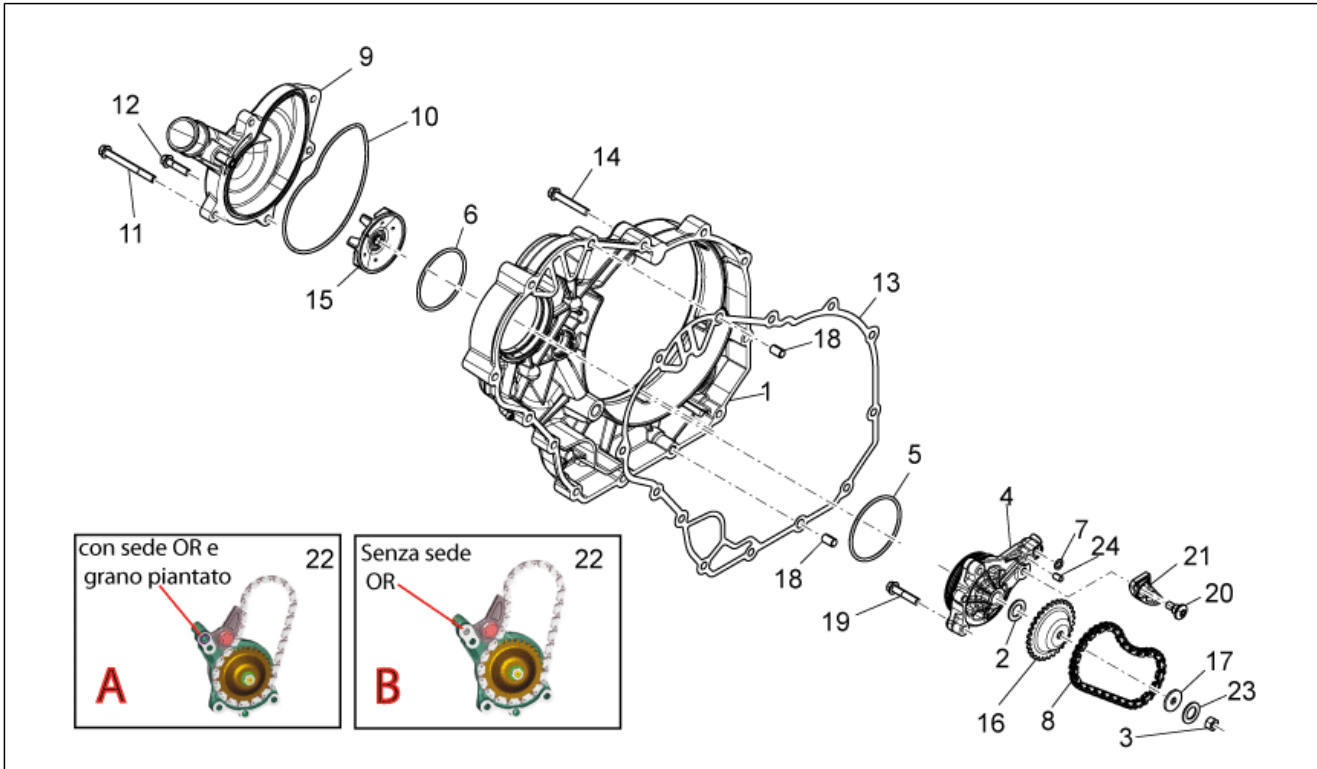
Pos.	Code	Description	Qty	Variants
1	872174	Air filter support	2	
2	872230	Throttle body	2	
3	872264	Gasket	2	
4	872173	Union	2	
5	873218	Fuel rail cpl	1	
6	5848135	Injector kit complete	2	
7	849898	Spring	2	
8	289731	Screw w/ flange M6x30	2	
9	432142	screw M6x60	8	
10	872176	plate	2	
11	872177	Upper plate	1	
12	873433	Hex socket screw	8	
13	640268	ECU	1	
14	224664	Washer 5,2X15X1,5	2	
15	015597	TBIC screw	2	
16	217163	Pad	2	
17	872528	Spacer	2	
18	875775	Throttle body cpl.	1	

<b>Group</b>	MOTORE
<b>Code</b>	29.54
<b>Description</b>	Fuel vapour recover system
<b>Service</b>	1



Pos.	Code	Description	Qty	Variants
1	AP8102678	Carbon filter	1	
2	AP8120905	Fuel pipe 8x13	1	
3	254485	Spring plate M6	2	
4	AP8221023	T bush	2	
5	856062	pipe SAE 30 d.11,11x4,8	1	
6	856063	pipe SAE 30 d.12,7x6,35	2	
7	AP8102719	Hose clamp d.80,5	1	
8	AP8152278	Screw w/ flange M6x16	2	
9	AP8144276	Joint	1	
10	AP8104614	Pressure valve	1	
11	AP8102764	White hose clip d.13x6	3	
12	AP8120446	Hose clip, green D11x6,6x1	2	
13	AP8102815	Plug hook	1	
14	AP8152055	Hex socket screw M8x12	1	
15	AP8102688	Hose clamp d.76	1	
16	858576	Maintenance	1	
17	AP8152282	Screw w/ flange M6x35	1	
18	AP8152280	Screw w/ flange M6x25	1	
19	AP8102520	Hose clamp	1	
20	AP8220546	Relay rubber	1	
21	AP8102151	Black hose D12*	1	

<b>Group</b>	MOTORE
<b>Code</b>	29.55
<b>Description</b>	Water pump II
<b>Service</b>	1



Pos.	Code	Description	Qty	Variants
1	878395	Clutch side cover antracite	1	
1	B016874	Clutch side cover grigio zenith	1	
2	878734	Shim washer	1	
3	876529	Nut M6	1	
4	880797	Pump support	1	
5	878115	O-ring	1	
6	876538	O-ring	1	
7	224035	O-ring	1	
8	846624	Chain 52	1	
9	B013068	Water pump cover grigio zenith	0	
9	B013068	Water pump cover grigio zenith	1	
10	848209	Gasket OR	1	
11	877850	Screw w/ flange	2	
12	874549	Screw w/ flange	3	
13	877069	Water pump cover gasket	1	
14	B016210	Screw w/ flange	11	
15	880867	Rotor	1	
16	875814	Chain ring	1	
17	834951	Conical washer	1	
18	277916	Locating dowel	2	
19	289731	Screw w/ flange M6x30	3	
20	CM179202	screw	1	
21	B013345	Chain guide plate	1	
22	8807955	Water pump assy	1	Technical specification:"Pump ""A"" [PA]
22	B014258	Water pump assy	1	Technical specification:"Pump ""B"" [PB]
23	436695	Belleville spring $\varnothing 6,4 \times \varnothing 20 \times 2$	1	
24	874598	Locating dowel D6	1	