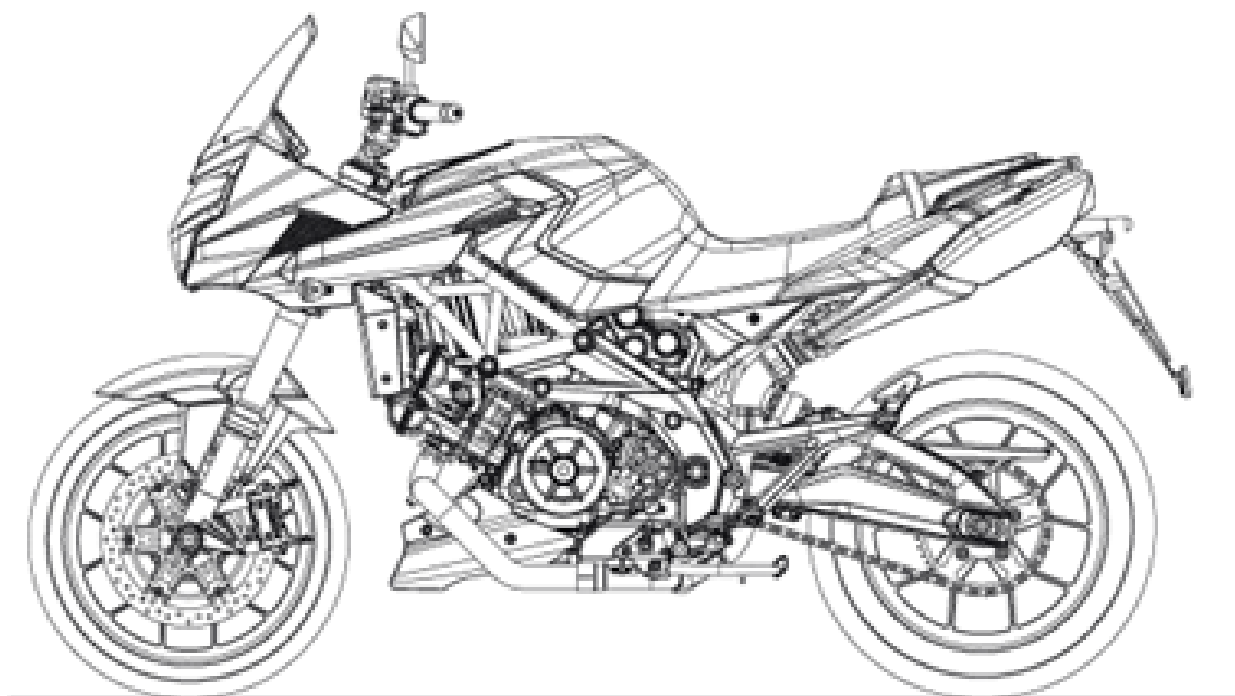




PIAGGIO & C.s.p.a.

aprilia

SPARE PARTS CATALOGUE



Shiver 750 GT 2009

Chassis prefix: ZD4RAB00, ZD4RAD00

Engine prefix:

Index

Finished products.....	4
Alphanumeric index.....	5
FRAME.....	11
Table 28.01 - Frame I.....	11
Table 28.02 - Frame II.....	12
Table 28.03 - Saddle support.....	13
Table 28.04 - Foot rests.....	14
Table 28.05 - Central stand.....	15
Table 28.06 - Steering.....	16
Table 28.07 - Front fork.....	17
Table 28.08 - Swing arm.....	19
Table 28.09 - Rear shock absorber.....	21
Table 28.10 - Front body - Front mudguard.....	22
Table 28.11 - Central body.....	23
Table 28.12 - Fuel tank.....	24
Table 28.13 - Fuel pump.....	25
Table 28.14 - Saddle.....	26
Table 28.15 - Rear body I.....	27
Table 28.16 - Rear body II.....	29
Table 28.17 - Rear body III.....	30
Table 28.18 - Dashboard.....	31
Table 28.19 - Handlebar - Controls.....	32
Table 28.20 - Clutch pump.....	33
Table 28.21 - Front master cilinder.....	34
Table 28.22 - Cooling system.....	35
Table 28.23 - Air box.....	37
Table 28.25 - Exhaust unit.....	38
Table 28.26 - Front wheel.....	39
Table 28.27 - Front brake caliper.....	40
Table 28.28 - Rear wheel.....	41
Table 28.29 - Rear brake system.....	42
Table 28.30 - Front lights.....	44
Table 28.31 - Rear lights.....	45
Table 28.32 - Electrical system I.....	46
Table 28.33 - Electrical system II.....	47
Table 28.34 - Lock hardware kit.....	48
Table 28.35 - Plate set-decal-op.handbooks.....	49
Table 28.54 - Holder.....	50
Table 28.55 - ABS Brake system.....	51
Table 28.56 - Fairing support bow.....	52
Table 28.57 - Front body - Front fairing.....	53
Table 28.58 - Front body - inside fairing.....	55
Table 28.59 - Fork II.....	56

Table 28.60 - Front fork III.....	58
ENGINE.....	59
Table 29.24 - Engine.....	59
Table 29.36 - Crankcases I.....	60
Table 29.37 - Crankcases II.....	61
Table 29.38 - Oil pump.....	63
Table 29.39 - Drive shaft.....	64
Table 29.40 - Cylinder with piston.....	65
Table 29.41 - Valves cover.....	66
Table 29.42 - Cylinder head - valves.....	67
Table 29.43 - Valves pads.....	68
Table 29.44 - Front cylinder timing system.....	69
Table 29.45 - Rear cylinder timing system.....	70
Table 29.46 - Gear box selector.....	71
Table 29.47 - Gear box.....	73
Table 29.48 - Clutch I.....	74
Table 29.49 - Clutch II.....	75
Table 29.50 - Water pump.....	76
Table 29.51 - Ignition unit.....	77
Table 29.52 - Throttle body.....	78
Table 29.53 - Fuel vapour recover system.....	79
Table 29.54 - Water pump II.....	80

Finished products

Code	Validity
AP6125500EA906	
AP6125500EA909	
AP6125500EB906	
AP6125500EB909	
AP6125500EB910	
AP6125500EC906	
AP6125500EC909	
AP6125500EC910	
AP6125500JC909	
AP6125500JC910	

Code	No. table	Pos.	Code	No. table	Pos.	Code	No. table	Pos.
000267	29.39	6	827018	29.42	8	849304	29.47	14
000267	29.51	16	827951	29.36	3	849305	29.47	15
006175	29.46	28	828116	29.40	7	849306	29.47	16
006410	29.50	8	82897R	29.37	14	849307	29.47	17
006450	29.38	2	829122	29.38	15	849308	29.47	23
006642	29.37	24	82935R	29.47	26	849309	29.47	18
015597	29.52	15	82960R	29.38	12	849310	29.47	20
015715	29.51	11	829981	29.51	21	849311	29.47	19
031060	28.25	18	830249	29.41	4	849312	29.47	12
122671	29.37	8	830389	29.51	5	849360	29.46	2
129953	28.31	16	830390	29.51	4	849367	29.39	9
217163	29.52	16	831148	29.51	17	849396	29.47	9
217164	29.52	17	831153	29.48	11	849424	29.47	6
224035	29.54	7	832963	29.37	19	849426	29.47	7
224664	29.52	14	833520	28.15	11	849468	29.46	3
239388	29.36	7	833520	29.42	18	849558	29.41	2
254485	28.01	10	834232	28.22	16	849693	29.46	1
254485	28.25	17	834317	29.36	8	849719	29.44	8
254485	28.54	8	834951	29.54	17	849722	29.45	8
254485	29.53	3	840135	29.40	9	849771	29.44	7
277916	29.51	22	841915	29.51	15	849771	29.45	7
277916	29.54	18	842291	29.41	3	849817	29.44	10
285846	29.43	2	842360	29.42	20	849817	29.45	10
287174	29.38	17	842507	29.47	25	849827	29.44	14
289731	29.52	8	844211	29.46	20	849827	29.45	14
289731	29.54	19	846624	29.54	8	8498725001	29.36	1
292022	28.30	18	846923	29.42	2	8498725002	29.36	1
292507	28.33	12	846925	29.42	7	8498725003	29.36	1
292889	29.37	18	847268	29.39	11	8498725004	29.36	1
294353	28.30	17	847417	29.42	6	8498735001	29.39	1
411311	29.42	21	847537	29.37	16	8498735002	29.39	1
430136	29.37	15	847906	29.39	10	849898	29.52	7
432142	29.52	9	847915	29.39	8	849909	29.44	5
436438	29.42	16	847928	29.40	8	849910	29.45	6
436695	29.54	23	848209	29.50	10	849911	29.36	4
478012	29.37	21	848209	29.54	10	849923	29.51	24
478171	28.30	5	848280	29.50	6	85153600XEB	28.01	2
478171	28.56	13	8482860001	29.40	2	85153700XEB	28.01	3
486075	29.37	23	8482860002	29.40	2	851538	28.03	1
486075	29.38	11	8482860003	29.40	2	851541	28.01	4
487073	29.37	17	8482860004	29.40	2	851550	28.05	2
496404	28.33	11	848341	29.51	17	851556	28.08	21
575268	28.01	8	848465	29.36	5	851557	28.08	24
575268	28.03	10	848474	29.37	11	851566	29.24	16
581061	28.32	14	848475	29.37	4	851567	28.23	11
58188R	29.46	22	848650	29.37	6	85156R	28.26	13
583158	28.33	3	848651	29.37	3	851570	28.23	9
584509	28.33	7	848714	29.51	3	851575	28.23	4
584815	29.52	6	848796	29.40	1	851576	28.23	3
597564	29.51	10	848798	29.40	6	851577	28.23	1
597565	29.46	28	848845	29.51	19	85157R	28.28	5
638562	28.23	20	849131	29.39	3	851581	28.23	6
640168	29.51	7	8491945001	29.39	2	851582	28.25	5
640169	29.51	6	8491945002	29.39	2	851586	28.25	10
640267	28.33	1	849213	29.42	1	851587	28.25	1
640268	29.52	13	849213	29.42	24	851589	28.25	2
640485	29.42	19	849213	29.44	12	851590	28.25	3
640695	28.32	9	849213	29.45	12	851591	28.25	8
640698	28.32	6	849244	29.37	22	851592	28.30	10
655858	28.58	16	849291	29.39	7	85159300XEM	28.17	2
825577	29.37	12	849293	29.47	1	85159400XEM	28.17	3
825577	29.48	19	849295	29.47	2	851596	28.22	1
825597	29.40	14	849296	29.47	3	851597	28.22	4
825725	29.51	18	849297	29.47	4	851598	28.22	7
82580R	29.38	10	849298	29.47	5	851599	28.22	9
82650R	29.40	11	849301	29.47	11	851600	28.22	8
82697R	29.51	1	849303	29.47	13	851601	28.22	10

Code	No. table	Pos.	Code	No. table	Pos.	Code	No. table	Pos.
851602	28.22	11	853037	28.01	6	856052	28.29	27
851615	28.29	3	853212	28.18	7	856053	28.29	29
851626	28.19	1	853213	28.02	12	856054	28.20	2
851626	28.19	1	853215	28.04	3	856055	28.20	3
851628	28.19	7	853419	28.15	16	856062	29.53	5
851628	28.19	7	853420	28.15	17	856063	29.53	6
851630	28.32	11	853421	28.17	11	856069	29.24	6
851632	28.33	4	853422	28.17	12	856079	29.24	9
851633	28.33	20	853434	28.23	22	856087	28.31	18
851636	28.18	6	853458	28.22	30	856097	28.35	3
851637	28.30	1	853470	28.06	8	856185	28.13	6
851638	28.31	1	854027	28.35	7	856245	28.07	6
851645	28.20	1	854028	28.35	7	856314	28.23	13
851646	28.12	1	854040	28.35	7	856315	28.23	14
851649	28.11	4	854555	28.30	13	856317	28.07	24
851650	28.11	3	854556	28.30	14	856549	28.07	5
851656	28.15	6	854592	28.18	2	856557	28.07	29
85166100XE4	28.11	1	854791	28.26	1	856557	28.59	21
85166100XN7	28.11	1	854792	28.28	3	856557	28.60	21
85166100XR5	28.11	1	854793	28.28	4	856914	28.25	14
851662	28.11	2	854809	28.12	5	858074	28.16	6
85166600XE9	28.10	2	854810	28.12	6	858130	28.32	18
85166600XN3	28.10	2	854811	28.32	2	858133	28.23	5
85166700XE4	28.15	2	854817	28.08	29	858200	28.29	26
85166700XN7	28.15	2	854827	28.06	15	858212	28.16	10
85166700XR5	28.15	2	854830	28.33	9	858213	28.14	4
85166800XE4	28.15	3	854835	28.20	5	858423	28.21	10
85166800XN7	28.15	3	854893	28.29	24	858424	28.20	14
85166800XR5	28.15	3	854904	28.35	2	858505	28.16	9
851669	28.15	5	854906	28.04	1	858571	28.12	1
851670	28.15	4	854907	28.04	2	858573	28.35	7
851672	28.15	1	854908	28.05	1	858576	29.53	16
85167300XE4	28.16	2	854909	29.24	3	859714	28.29	30
85167300XN7	28.16	2	854942	28.02	6	859752	28.28	1
85167300XR5	28.16	2	854946	28.23	2	859777	28.07	28
85167400XE4	28.16	3	854951	29.24	4	859777	28.59	20
85167400XN7	28.16	3	854968	28.17	9	859777	28.60	20
85167400XR5	28.16	3	854969	28.17	10	859781	28.21	1
851676	28.15	14	854970	28.23	10	859784	28.29	1
851678	28.35	6	854982	28.12	10	859785	28.55	5
851680	28.34	6	854983	28.15	15	859786	28.55	6
851683	28.22	6	854986	28.15	18	859789	28.54	14
851685	28.23	7	855071	28.17	20	859792	28.07	31
851686	28.03	2	856029	28.07	3	859792	28.28	24
851723	28.21	1	856030	28.07	4	859792	28.29	24
851724	28.27	1	856032	28.07	7	859792	28.59	23
851725	28.29	2	856033	28.07	8	859792	28.60	23
85173R	28.19	12	856034	28.07	9	859793	28.54	6
85174R	28.19	13	856035	28.07	10	859806	28.19	3
85178200XE3	28.08	1	856036	28.07	11	859812	28.31	13
851784	28.02	1	856037	28.07	12	859982	28.07	1
851785	28.23	12	856038	28.07	13	859983	28.07	2
851789	28.03	11	856039	28.07	14	860069	28.12	10
851901	28.19	7	856040	28.07	15	860111	28.29	2
851902	28.06	12	856041	28.07	16	860127	28.34	3
852023	28.29	1	856042	28.07	17	860169	28.09	1
852029	28.35	5	856043	28.07	18	86027900NA	28.14	1
852165	28.01	5	856044	28.07	19	860328	28.22	13
852412	28.16	1	856045	28.07	20	860329	29.49	9
852433	28.25	16	856046	28.07	21	860403	28.17	1
852479	29.24	11	856046	28.60	15	860403	28.17	1
852480	29.24	10	856047	28.07	22	860482	28.55	3
852493	28.06	12	856047	28.60	16	860484	28.55	7
852493	28.06	12	856048	28.21	2	860485	28.55	8
852494	28.29	20	856049	28.21	3	86054000XE4	28.10	1
853035	28.02	5	856050	28.20	4	86054000XN7	28.10	1
853036	28.02	4	856050	28.21	4	86054000XR5	28.10	1

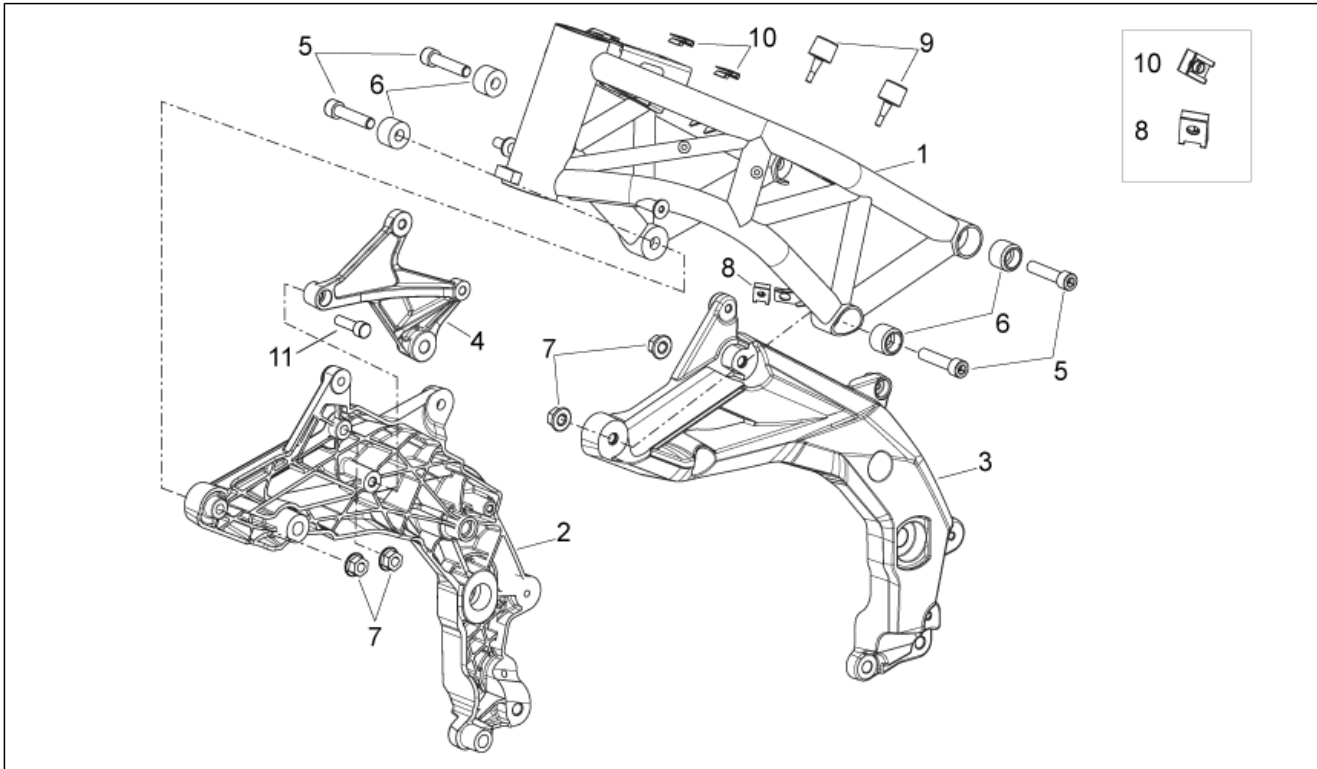
Code	No. table	Pos.	Code	No. table	Pos.	Code	No. table	Pos.
860612	28.54	1	873218	29.52	5	8765105001	29.36	1
860628	28.54	2	873233	29.44	11	8765105002	29.36	1
860629	28.54	3	873233	29.45	11	8765105003	29.36	1
860667	28.54	4	873268	28.20	11	8765105004	29.36	1
860706	28.25	20	873274	29.49	2	876529	29.54	3
860707	28.25	21	873396	29.42	12	876538	29.54	6
860739	28.18	1	873433	29.52	12	876790	29.48	5
860770	28.35	4	873459	29.42	3	877069	29.54	13
871068	29.50	9	873473	29.50	7	877850	29.54	11
871094	29.48	17	873497	29.50	15	878115	29.54	5
871094	29.50	12	873541	29.41	1	878384	29.51	2
871095	29.48	18	873543	29.48	8	878395	29.54	1
871180	29.50	3	873599	29.50	2	878439	29.44	13
871255	29.50	17	873612	29.38	13	878439	29.45	13
871258	29.50	16	873695	29.46	26	878705	29.42	13
871494	29.51	18	873706	29.49	1	878734	29.54	2
871609	29.48	12	873715	29.49	3	878742	29.46	19
871649	29.46	8	873717	29.49	6	878867	29.46	9
871657	29.50	1	873718	29.49	7	878870	29.46	13
871669	29.46	6	873719	29.49	4	878871	29.38	6
8716755	29.51	13	873722	29.49	5	878872	29.51	20
871748	29.44	16	873723	29.49	11	879129	29.46	7
871748	29.45	16	873724	29.49	10	8807955	29.54	22
871776	29.40	13	873725	29.49	8	880797	29.54	4
871798	29.44	15	873863	29.38	5	880867	29.54	15
871798	29.45	15	873866	29.38	4	890094	28.30	20
871901	29.46	24	873905	29.37	9	890498	28.12	11
872033	29.37	5	873906	29.38	8	890638	28.03	3
872117	29.50	14	873928	29.37	9	890655	28.17	23
872154	29.46	5	873960	29.44	1	890656	28.17	22
872173	29.52	4	873961	29.44	2	890724	28.04	20
872174	29.52	1	873962	29.45	1	890762	28.55	4
872176	29.52	10	873963	29.45	2	890809	28.57	1
872177	29.52	11	873974	29.38	7	89081000XE4	28.57	14
872180	29.52	18	873995	29.48	15	89081000XN7	28.57	14
872230	29.52	2	874037	28.20	10	89081000XR5	28.57	14
872264	29.52	3	874129	29.46	10	890814	28.58	1
872421	29.48	2	874176	29.44	3	89082000XE4	28.57	6
872421	29.51	12	874176	29.45	3	89082000XN7	28.57	6
872422	29.50	11	874185	29.44	17	89082000XR5	28.57	6
872423	29.42	11	874185	29.45	17	89082100XE4	28.57	7
872424	29.42	22	874191	29.48	13	89082100XN7	28.57	7
872425	29.40	10	8743975	29.50	5	89082100XR5	28.57	7
872432	29.37	20	874425	29.42	13	890822	28.57	19
872432	29.38	14	874549	29.54	12	890823	28.57	20
872432	29.40	12	874550	29.54	14	890852	28.19	1
872432	29.51	23	874589	29.40	15	890880	28.34	1
872433	29.42	17	874591	29.44	9	89095500XEB	28.01	1
872434	29.42	14	874591	29.45	9	890961	28.28	23
872437	29.51	9	874596	29.44	4	893076	28.32	17
8725174	29.48	14	874596	29.45	4	893093	28.35	1
872560	29.46	14	874619	29.50	13	893102	28.35	8
872655	29.40	3	874660	29.48	3	893144	28.21	5
872656	29.40	4	8751580001	29.39	4	893147	28.21	11
872657	29.40	5	8751580002	29.39	4	893593	28.58	9
872664	28.32	1	8751580003	29.39	4	893594	28.58	10
872807	29.42	9	8751580004	29.39	4	893622	28.19	2
872816	29.42	15	875358	29.38	16	893698	28.35	9
872816	29.50	4	875361	29.42	10	893708	28.35	3
872850	29.48	1	875413	29.42	1	893731	28.57	2
872948	29.42	23	875413	29.42	24	893733	28.32	17
873005	29.42	4	875413	29.44	12	893736	28.21	5
873006	29.42	5	875413	29.45	12	893736	28.55	1
873082	29.43	1	875725	29.48	18	893737	28.55	2
873115	28.20	8	875814	29.54	16	893743	28.13	7
873117	29.48	10	875819	29.39	7	893748	28.34	17
873127	29.48	4	876296	29.48	6	893748	28.58	14

Code	No. table	Pos.	Code	No. table	Pos.	Code	No. table	Pos.
893882	28.56	1	9745060001	29.37	2	AP8113004	28.27	7
893883	28.56	19	9745060002	29.37	2	AP8113004	28.29	23
893884	28.56	20	9745060003	29.37	2	AP8118619	28.19	9
896110	28.25	11	9745060004	29.37	2	AP8120001	28.15	21
897335	28.59	6	974517	29.38	1	AP8120030	28.02	10
897336	28.59	12	974556	29.24	2	AP8120030	28.22	23
897337	28.59	29	974558	29.46	23	AP8120030	28.54	17
897339	28.59	28	AP8101743	28.22	14	AP8120030	28.56	10
897341	28.59	14	AP8101744	28.26	2	AP8120177	28.15	7
897342	28.59	25	AP8101744	28.28	7	AP8120178	28.29	10
897343	28.59	26	AP8101968	28.29	13	AP8120416	28.32	15
897344	28.59	27	AP8102151	29.53	21	AP8120422	28.02	13
897358	28.26	8	AP8102375	28.03	9	AP8120422	28.33	19
897528	28.60	1	AP8102375	28.10	4	AP8120422	28.56	14
897529	28.60	2	AP8102375	28.11	5	AP8120446	28.22	12
897984	28.60	3	AP8102375	28.15	10	AP8120446	29.53	12
897985	28.60	4	AP8102375	28.17	7	AP8120508	28.16	8
897986	28.60	5	AP8102375	28.31	4	AP8120531	28.57	4
897987	28.60	6	AP8102375	28.31	6	AP8120531	28.58	6
897988	28.60	7	AP8102375	28.34	15	AP8120536	28.23	24
897989	28.60	8	AP8102375	28.56	3	AP8120591	28.57	5
897990	28.60	11	AP8102375	28.57	8	AP8120593	28.23	23
897991	28.60	12	AP8102375	28.58	3	AP8120657	28.02	14
897992	28.60	13	AP8102378	28.12	12	AP8120657	28.03	13
897993	28.60	14	AP8102381	28.15	23	AP8120712	28.57	15
898070	28.59	1	AP8102386	28.02	15	AP8120893	28.12	3
898071	28.59	2	AP8102386	28.33	18	AP8120905	29.53	2
898259	28.13	1	AP8102520	28.23	15	AP8120912	28.29	8
898513	28.59	3	AP8102520	29.53	19	AP8120912	29.24	18
898514	28.59	4	AP8102524	28.05	9	AP8120937	28.56	4
898515	28.59	5	AP8102615	28.22	3	AP8120952	28.22	29
898516	28.59	8	AP8102676	28.12	2	AP8121014	28.05	7
898517	28.59	11	AP8102678	29.53	1	AP8121015	28.05	8
898518	28.59	9	AP8102688	29.53	15	AP8121032	28.15	13
898519	28.59	10	AP8102719	29.53	7	AP8121032	28.57	10
898520	28.59	15	AP8102764	29.53	11	AP8121133	28.04	17
898521	28.59	16	AP8102815	29.53	13	AP8121134	28.04	19
898522	28.59	7	AP8102913	28.34	5	AP8121155	28.09	5
898794	28.59	13	AP8104097	28.22	26	AP8121200	28.08	10
969323	29.38	19	AP8104509	28.19	5	AP8121201	28.08	12
971718	29.46	11	AP8104606	28.32	16	AP8121203	28.08	11
971719	29.46	12	AP8104614	29.53	10	AP8121204	28.08	6
974033	29.51	8	AP8104710	28.34	2	AP8121212	28.28	14
974051	29.36	2	AP8104836	28.22	5	AP8121213	28.28	21
974084	29.46	4	AP8104919	28.34	4	AP8121221	28.29	7
974112	29.37	13	AP8104920	28.34	16	AP8121221	29.24	17
974129	29.37	7	AP8104921	28.19	10	AP8121223	28.29	4
974130	29.46	25	AP8104922	28.19	11	AP8121223	29.24	22
974157	29.38	3	AP8106806	28.28	19	AP8121225	28.28	8
974162	29.47	24	AP8107150	28.28	22	AP8121307	28.06	3
974163	29.47	8	AP8110053	29.24	13	AP8121407	28.29	21
974165	29.47	10	AP8110078	28.08	2	AP8121421	28.12	8
974166	29.47	22	AP8110079	28.08	3	AP8121455	28.25	13
974167	29.47	21	AP8110081	28.28	13	AP8121464	28.22	17
974219	29.51	14	AP8110106	28.06	4	AP8121520	28.19	4
974228	29.44	6	AP8110110	28.04	18	AP8121567	28.04	13
974228	29.45	5	AP8112600	28.31	2	AP8121570	28.08	4
974230	29.48	16	AP8112600	28.31	2	AP8121716	28.16	4
974282	29.38	9	AP8112600	28.31	2	AP8121716	28.55	9
974290	29.38	18	AP8112600	28.54	16	AP8121725	28.18	10
974320	29.48	9	AP8112927	28.32	8	AP8121725	28.30	3
974320	29.49	2	AP8112996	28.29	12	AP8121773	28.34	9
974361	29.48	7	AP8113003	28.20	6	AP8121790	28.56	9
9745050001	29.37	1	AP8113003	28.21	6	AP8121795	28.31	3
9745050002	29.37	1	AP8113003	28.29	22	AP8121795	28.31	3
9745050003	29.37	1	AP8113004	28.20	7	AP8121795	28.31	3
9745050004	29.37	1	AP8113004	28.21	7	AP8121795	28.54	15

Code	No. table	Pos.	Code	No. table	Pos.	Code	No. table	Pos.
AP8121811	29.24	8	AP8144644	28.22	2	AP8150459	28.11	9
AP8121890	28.08	19	AP8144662	28.18	3	AP8150462	28.29	9
AP8121927	28.29	11	AP8144662	28.58	4	AP8150462	29.24	19
AP8121994	28.05	4	AP8144707	28.57	18	AP8150463	28.28	18
AP8123511	28.06	10	AP8145008	28.04	7	AP8150468	28.08	20
AP8123934	28.11	11	AP8145009	28.04	8	AP8150509	28.02	11
AP8124718	28.17	18	AP8145034	28.04	5	AP8150509	28.18	5
AP8124768	28.58	13	AP8145035	28.04	6	AP8150509	28.23	21
AP8124869	28.33	5	AP8146520	28.08	9	AP8150509	28.58	8
AP8124930	28.22	19	AP8149034	28.17	21	AP8150537	28.11	7
AP8124936	28.32	5	AP8150012	28.15	26	AP8150540	28.06	14
AP8125687	28.08	14	AP8150012	28.22	21	AP8150540	28.06	2
AP8125728	28.26	7	AP8150012	28.25	19	AP8150548	28.01	7
AP8125730	28.28	11	AP8150014	28.11	13	AP8150548	28.02	2
AP8125731	28.28	6	AP8150014	28.56	5	AP8152001	28.05	6
AP8125732	28.28	12	AP8150015	28.54	13	AP8152003	28.19	6
AP8125763	28.08	13	AP8150017	28.03	6	AP8152043	28.02	7
AP8125773	28.26	5	AP8150018	28.25	15	AP8152055	29.53	14
AP8125777	28.26	4	AP8150020	28.29	6	AP8152108	28.30	11
AP8125779	28.26	6	AP8150026	28.29	14	AP8152117	28.03	12
AP8125786	28.28	15	AP8150026	28.32	12	AP8152138	29.24	14
AP8125788	28.28	17	AP8150026	29.24	15	AP8152174	28.08	22
AP8125827	28.26	12	AP8150044	28.02	8	AP8152176	28.09	3
AP8125831	28.08	26	AP8150049	28.06	9	AP8152187	28.04	4
AP8126701	28.14	3	AP8150050	28.05	11	AP8152246	28.17	14
AP8127098	28.31	11	AP8150107	28.03	4	AP8152267	28.08	25
AP8127305	28.20	12	AP8150120	28.22	20	AP8152267	28.08	30
AP8127305	28.21	8	AP8150137	28.18	8	AP8152267	28.15	12
AP8127345	28.33	13	AP8150137	28.29	16	AP8152268	28.30	15
AP8127346	28.33	15	AP8150137	28.31	14	AP8152269	28.57	3
AP8127489	28.30	19	AP8150137	28.56	16	AP8152269	28.58	15
AP8127489	28.31	17	AP8150137	28.57	13	AP8152270	28.31	5
AP8127803	28.31	9	AP8150137	29.24	20	AP8152273	28.07	26
AP8127804	28.31	10	AP8150158	28.15	22	AP8152273	28.15	9
AP8127856	28.05	10	AP8150171	28.34	8	AP8152273	28.28	25
AP8128169	28.26	3	AP8150177	28.05	12	AP8152273	28.29	25
AP8128170	28.28	16	AP8150179	28.03	14	AP8152273	28.59	18
AP8128189	28.26	14	AP8150195	28.01	11	AP8152273	28.60	18
AP8133781	28.26	8	AP8150195	28.28	20	AP8152277	28.04	12
AP8133789	28.29	30	AP8150204	28.17	15	AP8152277	28.33	16
AP8133841	28.27	2	AP8150255	28.58	7	AP8152277	28.54	11
AP8133943	28.27	3	AP8150292	28.05	5	AP8152277	29.24	7
AP8133944	28.27	4	AP8150298	28.07	27	AP8152278	28.29	17
AP8133945	28.20	9	AP8150298	28.59	19	AP8152278	28.32	10
AP8133945	28.27	5	AP8150298	28.60	19	AP8152278	29.53	8
AP8134167	28.13	3	AP8150311	28.05	13	AP8152279	28.22	28
AP8134419	28.11	12	AP8150329	28.09	2	AP8152279	28.29	19
AP8134419	28.30	9	AP8150334	28.08	18	AP8152279	28.54	9
AP8134419	28.56	11	AP8150334	28.25	4	AP8152280	28.22	27
AP8134451	28.04	16	AP8150350	28.31	20	AP8152280	28.33	10
AP8134677	28.17	19	AP8150351	28.34	7	AP8152280	28.34	10
AP8144005	28.08	8	AP8150362	28.57	17	AP8152280	28.54	7
AP8144006	28.08	5	AP8150362	28.58	11	AP8152280	29.53	18
AP8144007	28.29	5	AP8150376	28.10	5	AP8152281	28.12	7
AP8144046	28.33	8	AP8150380	28.11	8	AP8152281	28.32	7
AP8144048	28.08	7	AP8150382	28.13	8	AP8152282	28.54	10
AP8144146	28.06	5	AP8150382	28.18	4	AP8152282	29.53	17
AP8144222	28.06	11	AP8150382	28.31	8	AP8152283	28.56	6
AP8144245	28.23	8	AP8150413	28.16	12	AP8152286	28.03	7
AP8144276	29.53	9	AP8150429	28.32	13	AP8152286	28.26	11
AP8144277	28.01	9	AP8150429	28.33	17	AP8152286	28.29	31
AP8144328	28.12	9	AP8150430	28.17	17	AP8152287	28.16	5
AP8144351	28.12	4	AP8150430	28.57	12	AP8152287	28.55	10
AP8144443	28.08	15	AP8150436	28.28	10	AP8152288	28.05	3
AP8144444	28.08	16	AP8150451	28.13	2	AP8152288	28.16	7
AP8144552	28.15	19	AP8150453	28.34	13	AP8152289	28.25	12
AP8144553	28.15	20	AP8150454	28.34	12	AP8152290	28.07	23

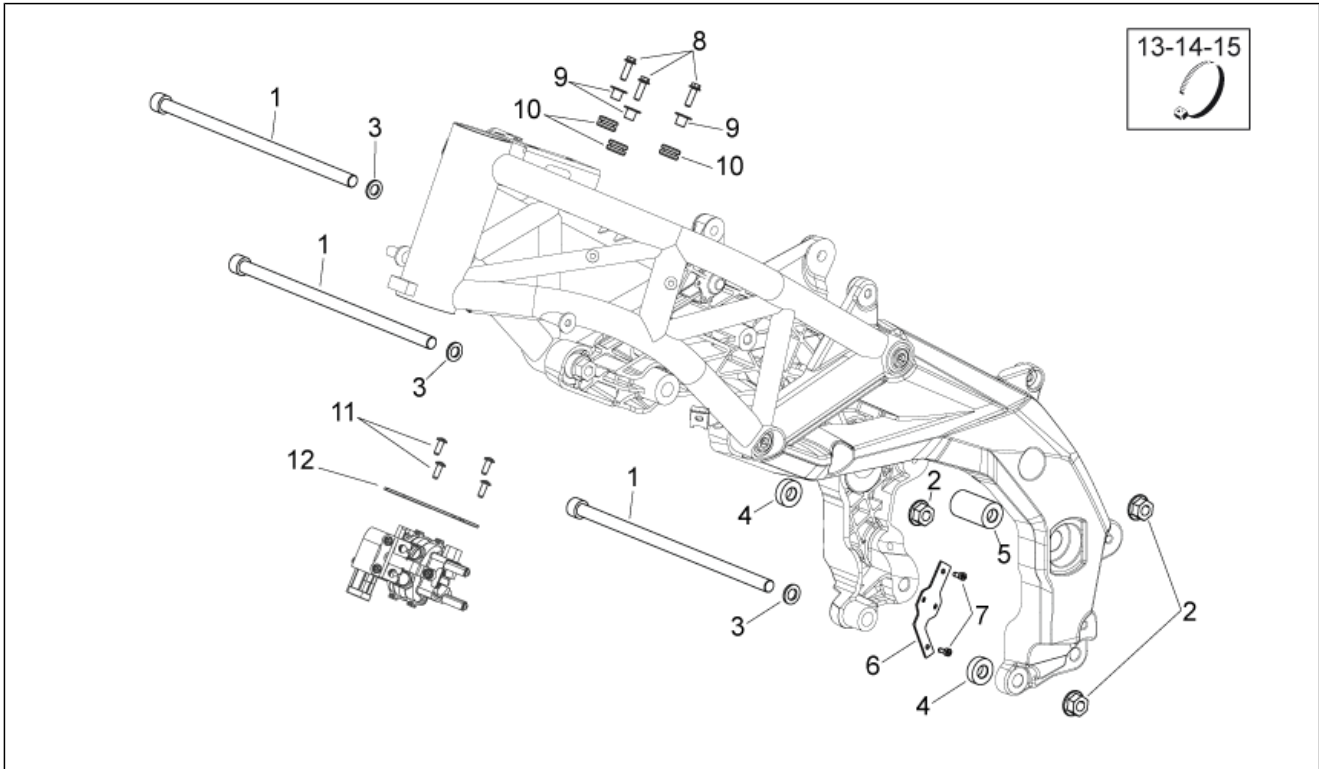
Code	No. table	Pos.	Code	No. table	Pos.	Code	No. table	Pos.
AP8152290	28.59	17	AP8220192	28.56	12	CM159002	29.39	5
AP8152290	28.60	17	AP8220283	28.32	4	CM1592035	29.24	1
AP8152298	28.31	7	AP8220349	28.03	8	CM1592045	29.24	1
AP8152298	28.34	14	AP8220349	28.14	2	CM179202	29.54	20
AP8152298	28.56	17	AP8220370	28.18	9	CM221709	28.28	2
AP8152299	28.11	10	AP8220370	28.30	2	CM222101	28.06	13
AP8152299	28.17	13	AP8220370	28.56	7	CM222601	28.06	1
AP8152299	28.18	11	AP8220488	28.58	12	GU01106090	28.13	5
AP8152299	28.29	18	AP8220546	28.33	6	GU01107490	28.13	4
AP8152299	28.30	4	AP8220546	29.53	20	GU05121630	28.25	6
AP8152299	28.30	6	AP8221007	28.54	18	GU05123431	28.25	7
AP8152299	28.31	15	AP8221023	28.02	9	GU05128230	28.25	9
AP8152299	28.34	11	AP8221023	28.22	22	GU05677730	28.29	32
AP8152299	28.54	12	AP8221023	29.53	4	GU05781630	28.07	25
AP8152299	28.56	2	AP8221129	28.16	13	GU30027931	28.23	19
AP8152299	28.56	8	AP8221129	28.30	12	GU30729330	28.23	18
AP8152300	28.56	15	AP8221206	28.16	11	GU32441210	28.04	11
AP8152301	28.09	6	AP8221277	28.04	15	GU32443210	28.04	9
AP8152302	28.56	18	AP8221340	28.17	6	GU32443211	28.04	10
AP8152302	28.57	9	AP8221341	28.17	5			
AP8152302	28.58	2	AP8221349	28.30	7			
AP8152305	28.08	17	AP8224164	28.31	19			
AP8152306	28.07	30	AP8224462	28.32	3			
AP8152306	28.30	16	AP8224470	28.17	4			
AP8152306	28.31	12	AP8224470	28.54	5			
AP8152306	28.59	22	AP8225237	28.02	3			
AP8152306	28.60	22	AP8234020	28.08	23			
AP8152323	28.08	27	AP9100389	29.24	5			
AP8152323	28.26	9	AP9150003	29.46	27			
AP8152324	28.08	28	AP9150064	29.46	17			
AP8152329	28.15	8	AP9150069	29.46	16			
AP8152329	28.23	17	AP9150070	29.46	18			
AP8152329	28.33	2	AP9150394	29.37	10			
AP8152335	28.26	10	AP9150479	29.46	21			
AP8152339	28.10	3	B013068	29.54	9			
AP8152339	28.11	6	B013345	29.54	21			
AP8152339	28.17	8	B013362	29.46	15			
AP8152339	28.29	25	B013928	29.46	7			
AP8152339	28.57	11	B045033	28.28	9			
AP8152342	28.17	16	CM001905	28.22	31			
AP8152350	28.03	5	CM001914	28.22	15			
AP8152409	28.04	14	CM001924	28.22	24			
AP8152411	28.09	4	CM154101	29.36	6			
AP8152414	28.27	6	CM154102	29.36	6			
AP8152414	28.55	11	CM154104	29.36	6			
AP8152442	28.06	7	CM157201	29.43	3			
AP8152486	28.19	8	CM157202	29.43	3			
AP8161083	28.22	18	CM157203	29.43	3			
AP8163133	28.60	9	CM157204	29.43	3			
AP8163134	28.60	10	CM157205	29.43	3			
AP8163500	28.06	6	CM157206	29.43	3			
AP8176100	28.33	14	CM157207	29.43	3			
AP8201301	28.29	15	CM157208	29.43	3			
AP8201358	28.23	16	CM157209	29.43	3			
AP8201358	29.24	21	CM157210	29.43	3			
AP8201409	28.22	25	CM157211	29.43	3			
AP8201749	28.07	32	CM157212	29.43	3			
AP8201749	28.28	26	CM157213	29.43	3			
AP8201749	28.59	24	CM157214	29.43	3			
AP8201749	28.60	24	CM157215	29.43	3			
AP8202449	28.57	16	CM157216	29.43	3			
AP8202449	28.58	5	CM157217	29.43	3			
AP8210007	29.24	12	CM157218	29.43	3			
AP8213574	28.29	28	CM157219	29.43	3			
AP8220135	28.20	13	CM157220	29.43	3			
AP8220135	28.21	9	CM157221	29.43	3			
AP8220192	28.30	8	CM159001	29.39	5			

Group	FRAME
Code	28.01
Description	Frame I
Service	1



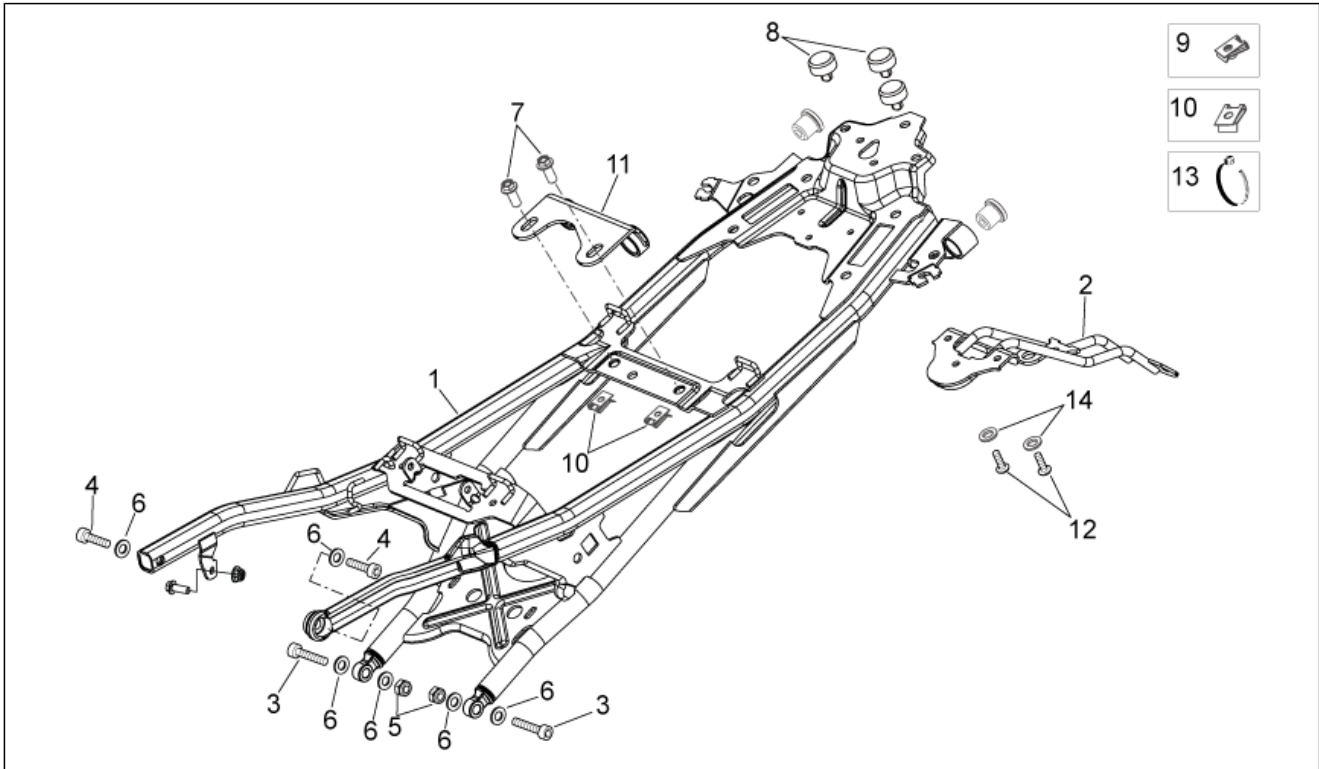
Pos.	Code	Description	Qty	Variants
1	89095500XEB	Front frame, grey	1	Vehicle colour: Competition black (s.t.893615)[blk], Silver Crowd (s.t.893615)[cro], Damasco red (s.t.893615)[dam]
2	85153600XEB	RH flank frame, gret	1	Vehicle colour: Competition black (s.t.893615)[blk], Silver Crowd (s.t.893615)[cro], Damasco red (s.t.893615)[dam]
3	85153700XEB	LH flank frame, grey	1	Vehicle colour: Competition black (s.t.893615)[blk], Silver Crowd (s.t.893615)[cro], Damasco red (s.t.893615)[dam]
4	851541	Shock absorber plate	1	
5	852165	Screw	4	
6	853037	Bush	4	
7	AP8150548	Flanged nut M12	4	
8	575268	Spring plate M8	1	
9	AP8144277	Stand end stop	2	
10	254485	Spring plate M6	5	
11	AP8150195	Hex socket screw M10x30	1	

Group	FRAME
Code	28.02
Description	Frame II
Service	1



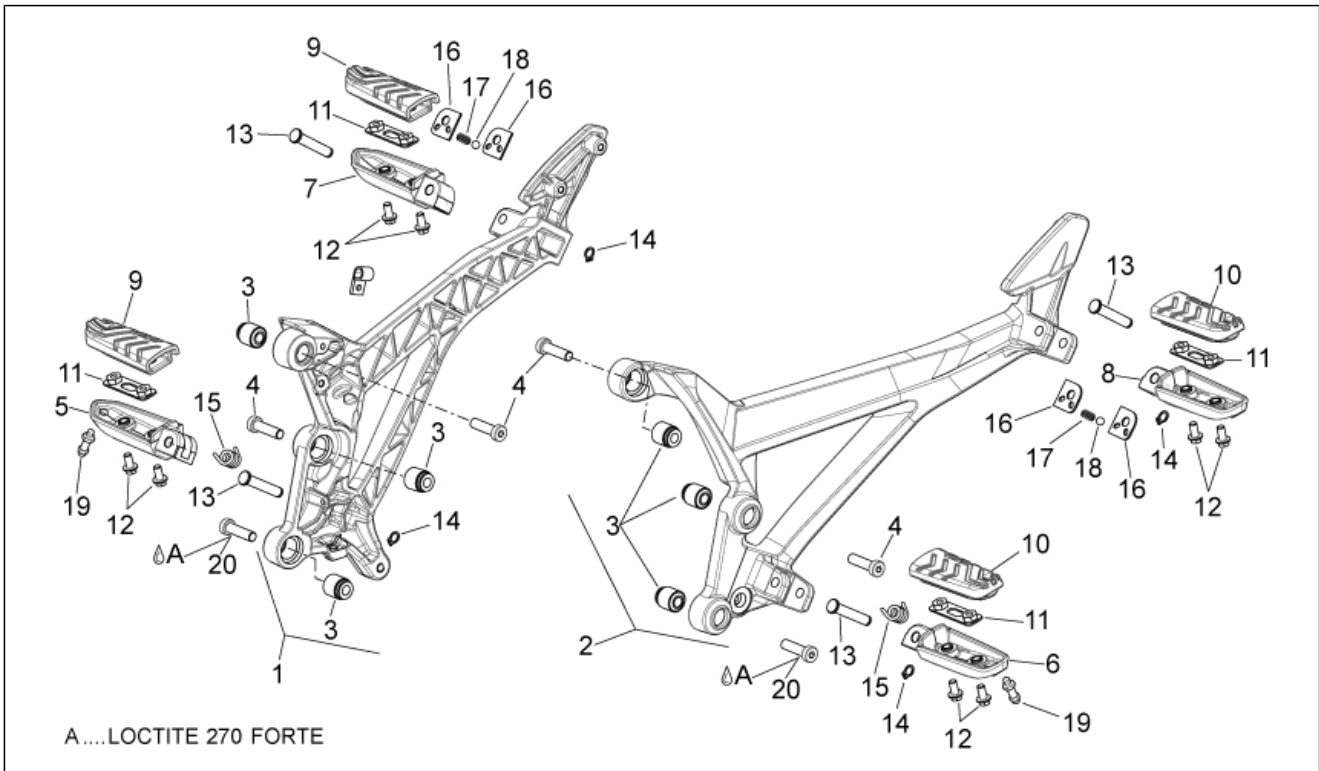
Pos.	Code	Description	Qty	Variants
1	851784	Engine pin	3	
2	AP8150548	Flanged nut M12	3	
3	AP8225237	Washer 12x24x3	3	
4	853036	Spacer	2	
5	853035	Spacer	1	
6	854942	Plate	1	
7	AP8152043	Hex socket screw M4x10	2	
8	AP8150044	Hex socket screw M6x20	3	
9	AP8221023	T bush	3	
10	AP8120030	Rubber spacer	3	
11	AP8150509	Self-tap screw 5x14	4	
12	853213	Maintenance	1	
13	AP8120422	Black hose 98x2*	2	
14	AP8120657	Hose clamp	3	
15	AP8102386	Hose clamp 155x2	1	

Group	FRAME
Code	28.03
Description	Saddle support
Service	1



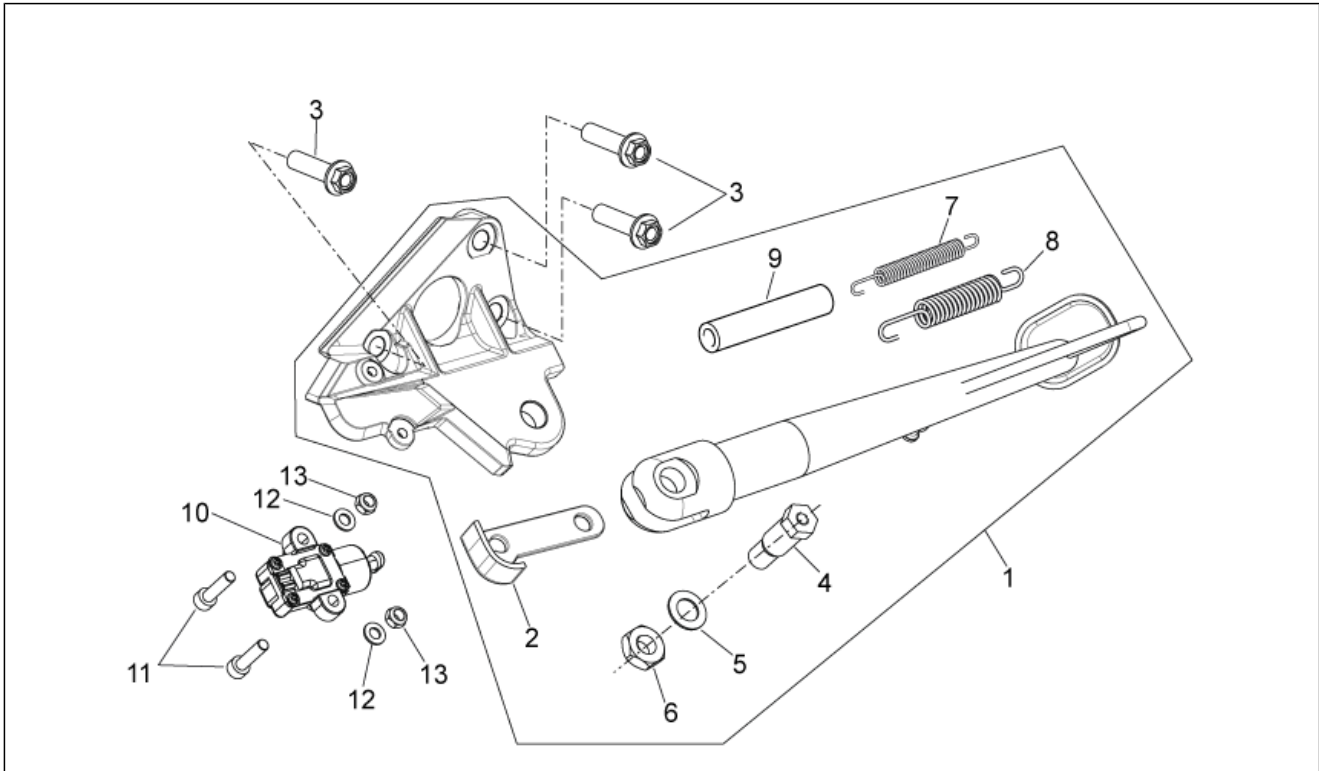
Pos.	Code	Description	Qty	Variants
1	851538	Saddle support	1	
2	851686	Number plate holder support	1	
3	890638	Hex socket screw	2	
4	AP8150107	Hex socket screw M8x30	2	
5	AP8152350	Nut	2	
6	AP8150017	Washer 8,4x16x1,6	4	
7	AP8152286	Screw w/ flange M8x20	2	
8	AP8220349	Rubber spacer	3	
9	AP8102375	Clip m5	3	
10	575268	Spring plate M8	4	
11	851789	Exhaust pipe support clamp	1	
12	AP8152117	Hex socket screw	2	
13	AP8120657	Hose clamp	2	
14	AP8150179	Washer 6,6x18*	1	

Group	FRAME
Code	28.04
Description	Foot rests
Service	1



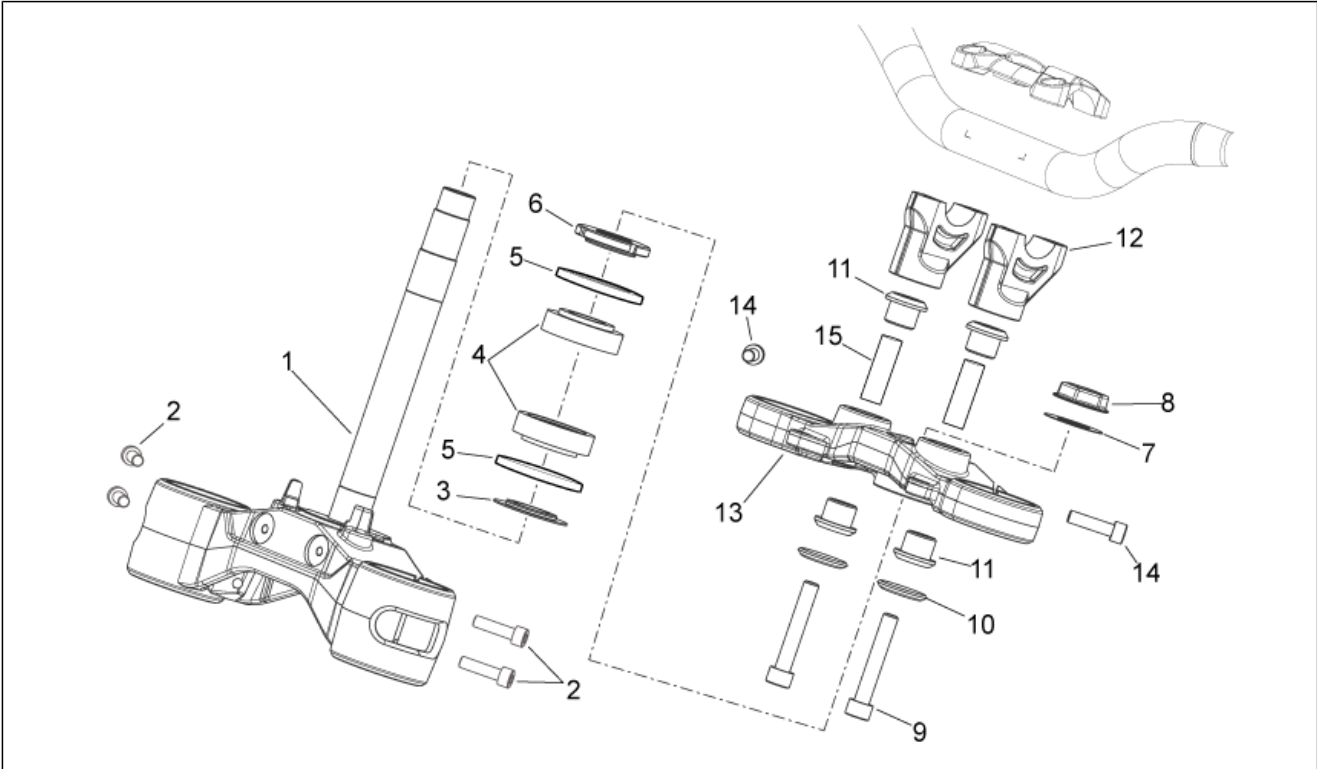
Pos.	Code	Description	Qty	Variants
1	854906	RH foot rest support, grey	1	
2	854907	LH footrest support, grey	1	
3	853215	Silent-block	6	
4	AP8152187	Low head socket screw	4	
5	AP8145034	RH Foot rests	1	
6	AP8145035	LH Foot rests	1	
7	AP8145008	Rear footrest, RH	1	
8	AP8145009	Rear footrest, LH	1	
9	GU32443210	Support rubber part	2	
10	GU32443211	Support rubber part	2	
11	GU32441210	Plate	4	
12	AP8152277	Screw w/ flange M6x12	8	
13	AP8121567	Pin	4	
14	AP8152409	Stop ring	4	
15	AP8221277	Footrest return spring	2	
16	AP8134451	Footrest plate	4	
17	AP8121133	Coil compress. spring	2	
18	AP8110110	Ball d.7	2	
19	AP8121134	Footrest pin	2	
20	890724	Threaded pin	2	

Group	FRAME
Code	28.05
Description	Central stand
Service	1



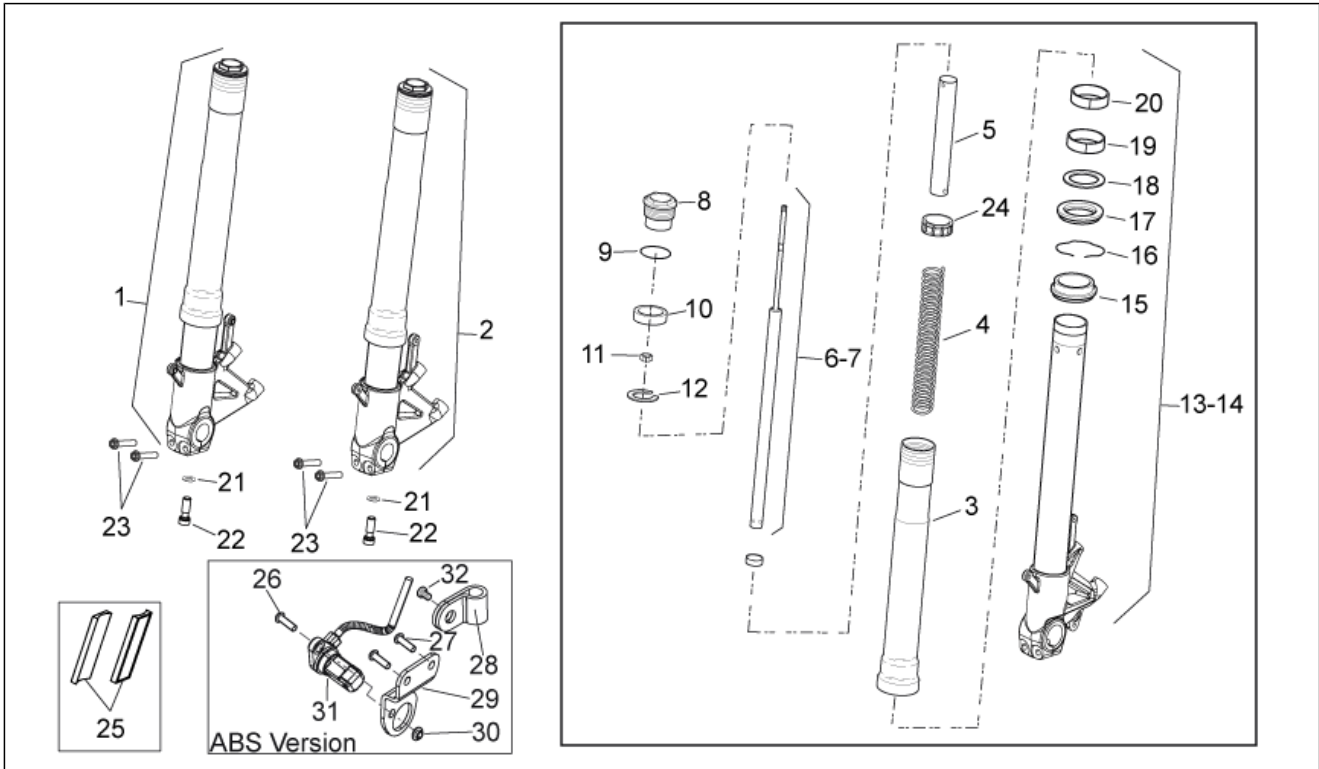
Pos.	Code	Description	Qty	Variants
1	854908	Sidestand assy	1	
2	851550	Lateral stand plate	1	
3	AP8152288	Screw w/ flange	3	
4	AP8121994	Central stand fixing screw	1	
5	AP8150292	Curved spring washer *	1	
6	AP8152001	Low nut M10x1,25	1	
7	AP8121014	Coil pull spring *	1	
8	AP8121015	Lateral stand external spring	1	
9	AP8102524	Stand spring protection	1	
10	AP8127856	Lateral stand switch	1	
11	AP8150050	Hex socket screw M5x16	2	
12	AP8150177	Washer 5,3X10X1	2	
13	AP8150311	Low self-locking nut	2	

Group	FRAME
Code	28.06
Description	Steering
Service	1



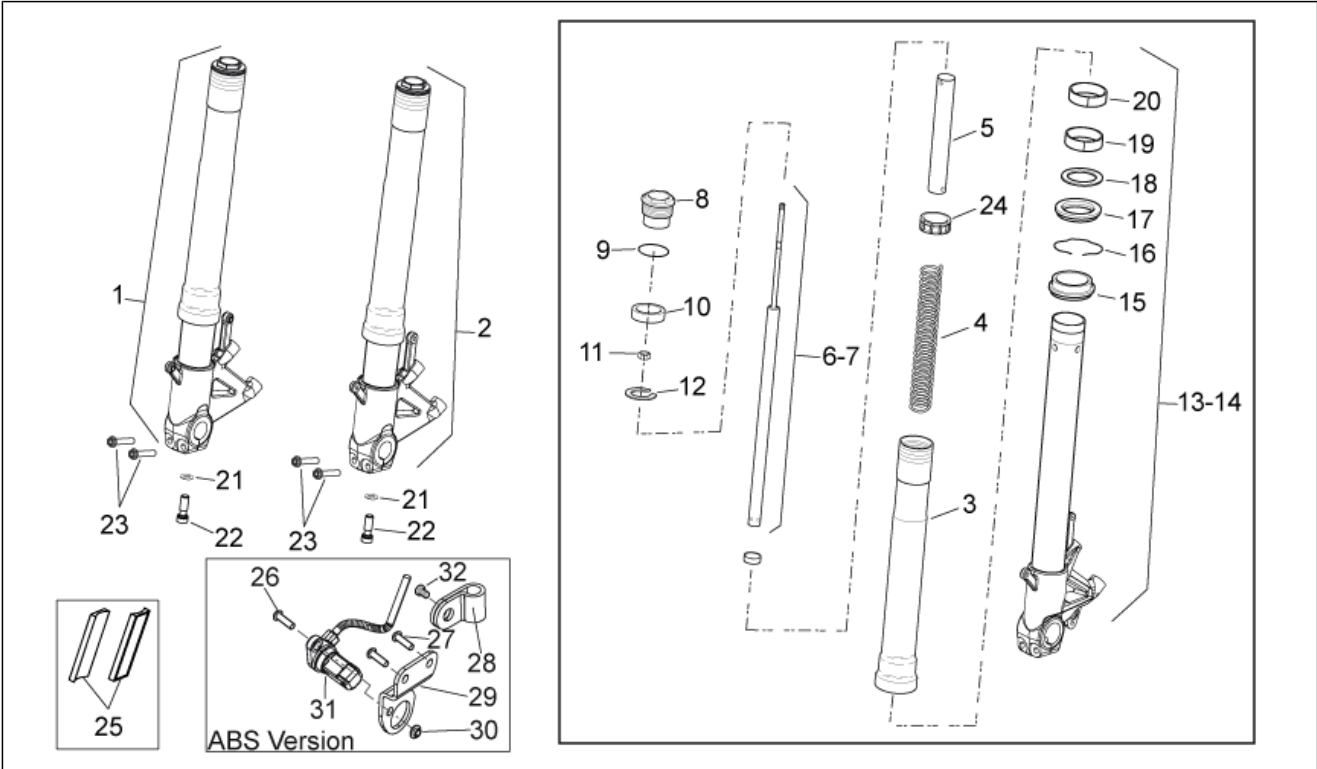
Pos.	Code	Description	Qty	Variants
1	CM222601	Lower fork plate	1	
2	AP8150540	Screw	4	
3	AP8121307	Washer	1	
4	AP8110106	Roller bearing	2	
5	AP8144146	Gasket ring	2	
6	AP8163500	Ring nut	1	
7	AP8152442	Stem plug washer	1	
8	853470	Plug	1	
9	AP8150049	screw M10x60	2	
10	AP8123511	Cup	2	
11	AP8144222	Rubber spacer	4	
12	851902	Lower U-bolt	2	Technical Specifications: Tubular Diameter 22mm[22]
12	852493	Lower U-bolt	2	Country: United States of America[USA]
12	852493	Lower U-bolt	2	Technical Specifications: Taper 22-28mm[28]
13	CM222101	Fork upper plate	1	
14	AP8150540	Screw	2	
15	854827	Spacer 10,1x14,1x38	2	

Group	FRAME
Code	28.07
Description	Front fork
Service	1



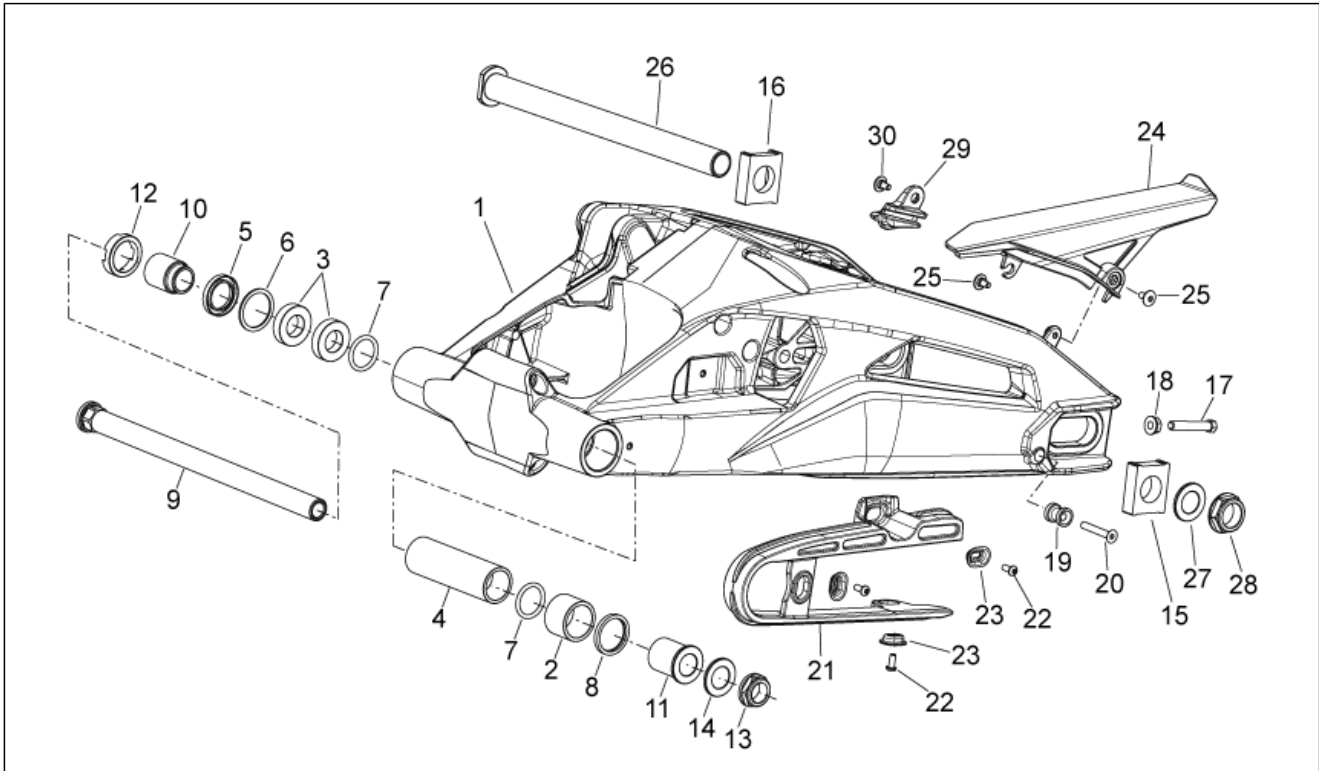
Pos.	Code	Description	Qty	Variants
1	859982	RH hub cpl.	1	Technical Specifications:Showa[S1]
2	859983	LH hub cpl.	1	Technical Specifications:Showa[S1]
3	856029	Sleeve	2	Technical Specifications:Showa[S1]
4	856030	Spring	2	Technical Specifications:Showa[S1]
5	856549	Preload tube	2	Technical Specifications:Showa[S1]
6	856245	RH plunger, complete	2	Technical Specifications:Showa[S1]
7	856032	LH plunger, complete	2	Technical Specifications:Showa[S1]
8	856033	Sleeve plug cpl.	2	Technical Specifications:Showa[S1]
9	856034	O-ring	2	Technical Specifications:Showa[S1]
10	856035	Rubber ring	2	Technical Specifications:Showa[S1]
11	856036	Nut	2	Technical Specifications:Showa[S1]
12	856037	Stop ring	2	Technical Specifications:Showa[S1]
13	856038	Hub+RH fork leg	1	Technical Specifications:Showa[S1]
14	856039	Hub+LH fork leg	1	Technical Specifications:Showa[S1]
15	856040	Dust cover	2	Technical Specifications:Showa[S1]
16	856041	Circlip	2	Technical Specifications:Showa[S1]
17	856042	Oil seal	2	Technical Specifications:Showa[S1]
18	856043	Ring	2	Technical Specifications:Showa[S1]
19	856044	Spring guide bush	2	Technical Specifications:Showa[S1]
20	856045	Bush	2	Technical Specifications:Showa[S1]
21	856046	Special washer	2	Technical Specifications:Showa[S1]
22	856047	screw M10x1,5	2	Technical Specifications:Showa[S1]
23	AP8152290	Screw w/ flange M8x40	4	Technical Specifications:Showa[S1]
24	856317	Spring centering	2	Technical Specifications:Showa[S1]
25	GU05781630	Reflector, amber	2	Country:United States of America[USA] Technical Specifications:Showa[S1]
26	AP8152273	Screw w/ flange M5X15	1	Technical Specifications:ABS Shiver version[ABS], Showa[S1]

Group	FRAME
Code	28.07
Description	Front fork
Service	1



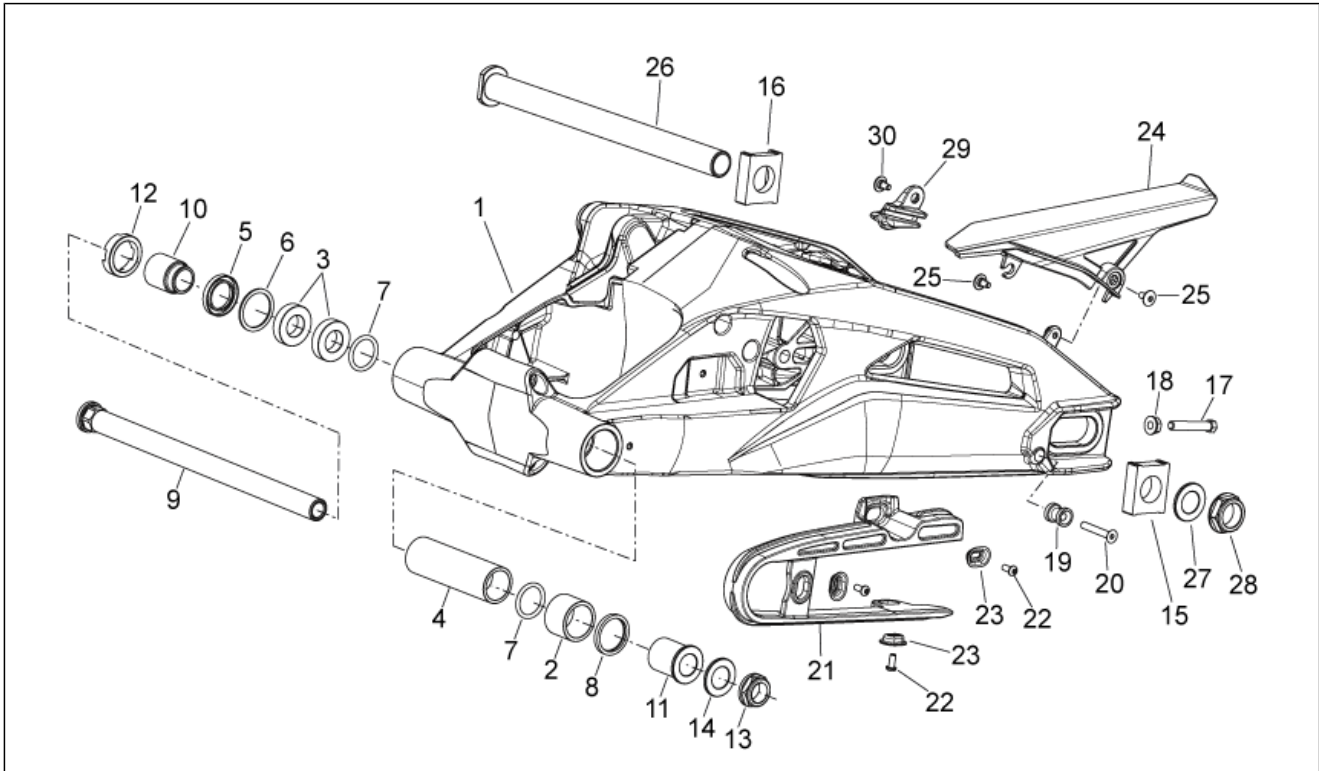
Pos.	Code	Description	Qty	Variants
27	AP8150298	Hex socket screw	2	Technical Specifications: ABS Shiver version[ABS]
28	859777	Fairlead	1	Technical Specifications: ABS Shiver version[ABS], Showa[S1]
29	856557	Front plate	1	Technical Specifications: ABS Shiver version[ABS], Showa[S1]
30	AP8152306	Self-locking nut m5	1	Technical Specifications: ABS Shiver version[ABS], Showa[S1]
31	859792	Sensor ABS	1	Technical Specifications: ABS Shiver version[ABS], Showa[S1]
32	AP8201749	Screw M4x6	1	Technical Specifications: ABS Shiver version[ABS], Showa[S1]

Group	FRAME
Code	28.08
Description	Swing arm
Service	1



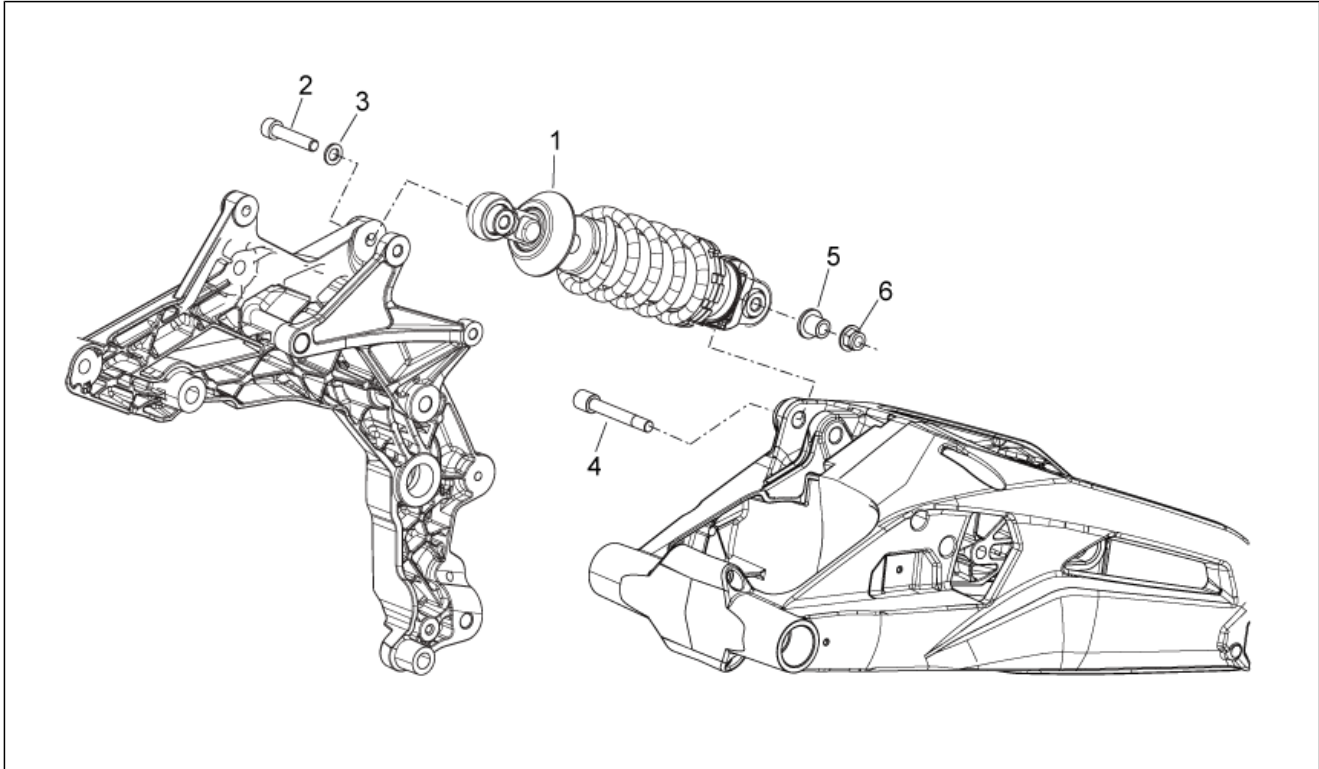
Pos.	Code	Description	Qty	Variants
1	85178200XE3	Swing arm, grey	1	
2	AP8110078	Cage à rouleaux	1	
3	AP8110079	Ball bearing	2	
4	AP8121570	Internal spacer	1	
5	AP8144006	Gasket ring	1	
6	AP8121204	Inside circlip d37	1	
7	AP8144048	O-ring 134	2	
8	AP8144005	Gasket ring	1	
9	AP8146520	Rear swing arm pin	1	
10	AP8121200	Adjustment bush	1	
11	AP8121203	Rear int.sw.arm piv.bush	1	
12	AP8121201	Swing arm ring nut	1	
13	AP8125763	Rear wheel spindle nut	1	
14	AP8125687	Wheel pin washer	1	
15	AP8144443	LH chain guide plate	1	
16	AP8144444	RH chain guide plate	1	
17	AP8152305	Chain tens.adjuster screw	2	
18	AP8150334	Nut M8	2	
19	AP8121890	Rear stand bush	2	
20	AP8150468	Screw M6x40	2	
21	851556	Chain guide plate	1	
22	AP8152174	Hex socket screw	3	
23	AP8234020	Cup for shoe	3	
24	851557	Chain guard	1	
25	AP8152267	Hex socket screw M5x12	2	
26	AP8125831	Rear wheel spindle	1	
27	AP8152323	Washer 25,2x36x1	1	
28	AP8152324	Wheel spindle nut M25x1,5	1	

Group	FRAME
Code	28.08
Description	Swing arm
Service	1



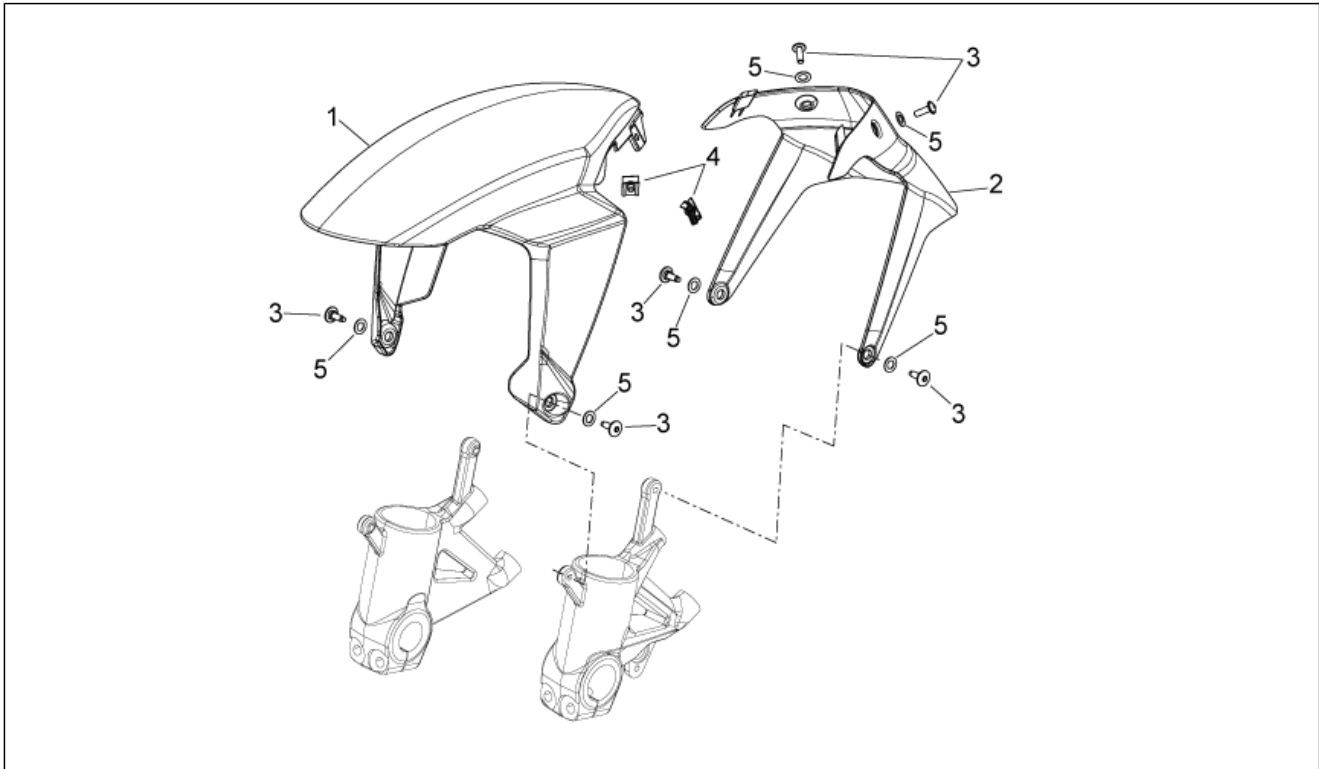
Pos.	Code	Description	Qty	Variants
29	854817	Sliding block	1	
30	AP8152267	Hex socket screw M5x12	1	

Group	FRAME
Code	28.09
Description	Rear shock absorber
Service	1



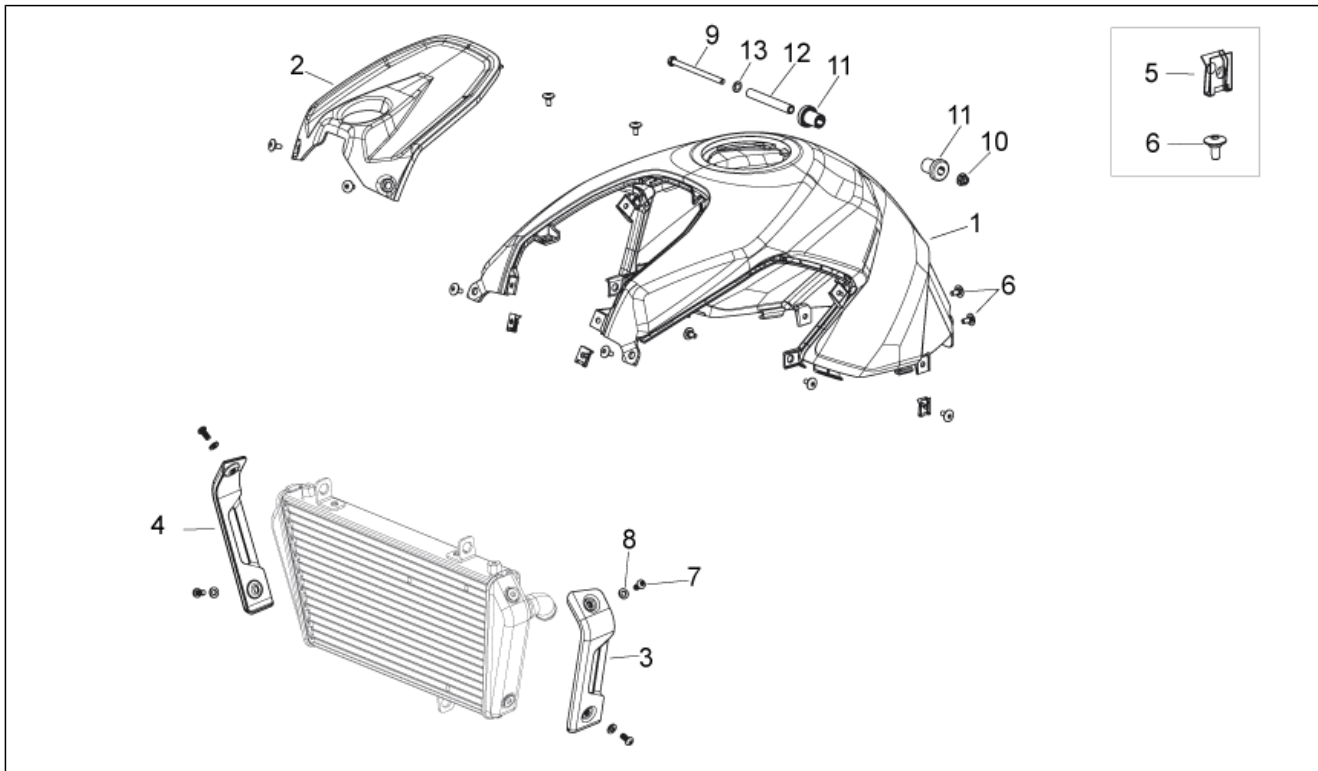
Pos.	Code	Description	Qty	Variants
1	860169	Shock absorber	1	
2	AP8150329	Hex socket screw	1	
3	AP8152176	Washer 10,5X18X2*	1	
4	AP8152411	Hex socket screw M10x59	1	
5	AP8121155	T bush *	1	
6	AP8152301	Self-locking nut	1	

Group	FRAME
Code	28.10
Description	Front body - Front mudguard
Service	1



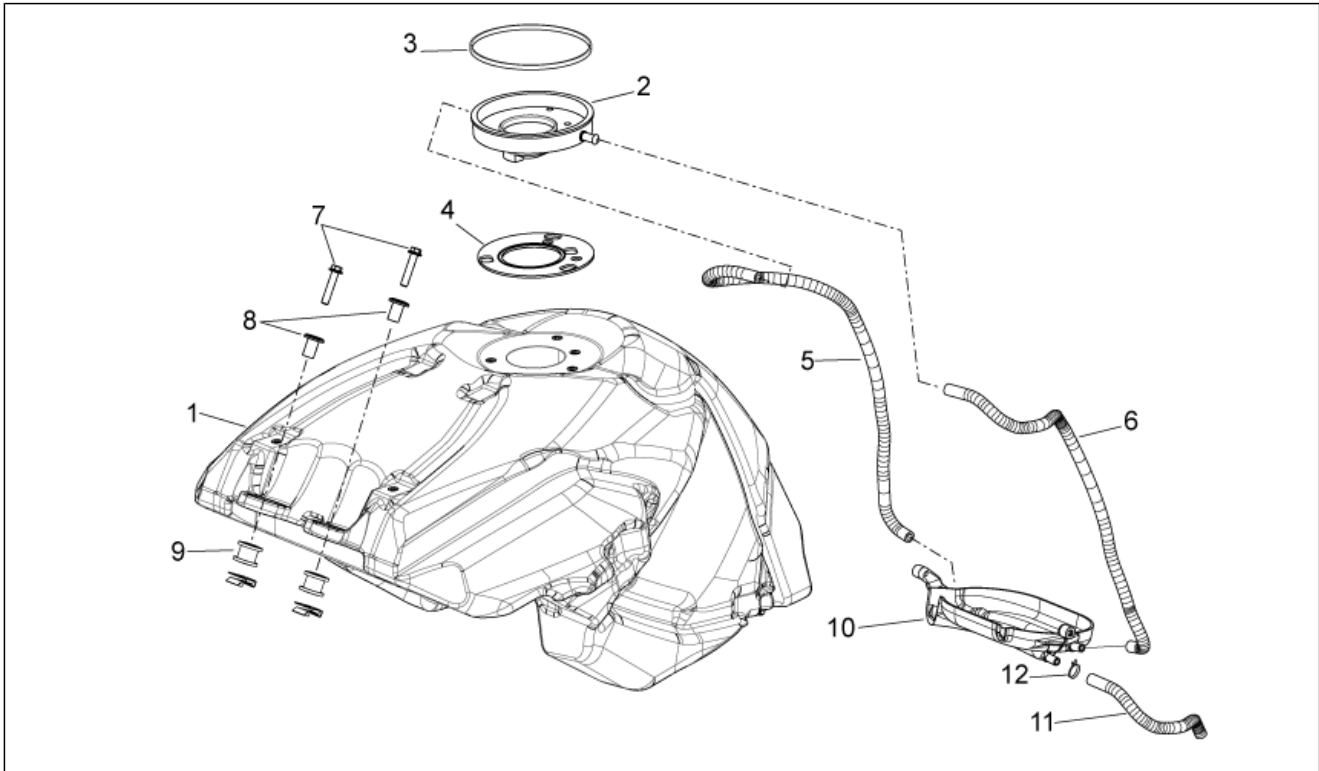
Pos.	Code	Description	Qty	Variants
1	86054000XE4	Front mudguard, grey	1	Vehicle colour: Silver Crowd (s.t.893615)[cro] Technical Specifications: Without decals applied[ND]
1	86054000XN7	Front mudguard, black	1	Vehicle colour: Competition black (s.t.893615)[blk] Technical Specifications: Without decals applied[ND]
1	86054000XR5	Front mudguard, red	1	Vehicle colour: Damasco red (s.t.893615)[dam] Technical Specifications: Without decals applied[ND]
2	85166600XE9	Front mudguard rear side grey	1	Vehicle colour: Competition black (s.t.893615)[blk]
2	85166600XN3	Front mudguard rear side black	1	Vehicle colour: Silver Crowd (s.t.893615)[cro], Damasco red (s.t.893615)[dam]
3	AP8152339	Screw w/ flange M5x9	6	
4	AP8102375	Clip m5	2	
5	AP8150376	Washer 8,5x15x0,8	6	

Group	FRAME
Code	28.11
Description	Central body
Service	1



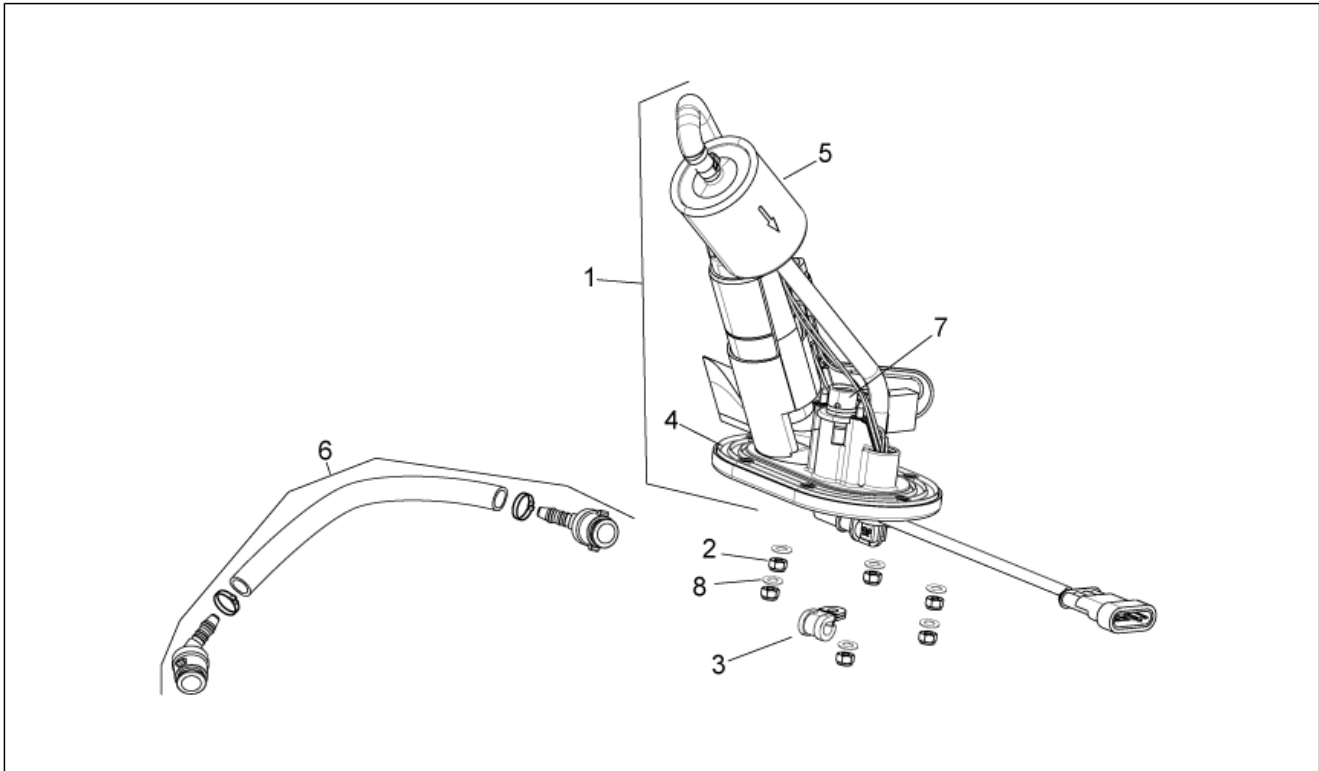
Pos.	Code	Description	Qty	Variants
1	85166100XE4	Fuel tank cover, grey	1	Vehicle colour:Silver Crowd (s.t.893615)[cro] Technical Specifications:Without decals applied[ND]
1	85166100XN7	Fuel tank cover, black	1	Vehicle colour:Competition black (s.t.893615)[blk] Technical Specifications:Without decals applied[ND]
1	85166100XR5	Fuel tank cover, red	1	Vehicle colour:Damasco red (s.t.893615)[dam] Technical Specifications:Without decals applied[ND]
2	851662	Cover	1	
3	851650	LH water cooler protection	1	
4	851649	RH water cooler protection	1	
5	AP8102375	Clip m5	12	
6	AP8152339	Screw w/ flange M5x9	10	
7	AP8150537	Hex socket screw M6x12	4	
8	AP8150380	Washer 12,5x6,4*	4	
9	AP8150459	Hex screw M6x90	1	
10	AP8152299	Self-locking nut M6	1	
11	AP8123934	Rubber spacer	2	
12	AP8134419	Fuel tank bush	1	
13	AP8150014	Washer 6,4x12,5*	1	

Group	FRAME
Code	28.12
Description	Fuel tank
Service	1



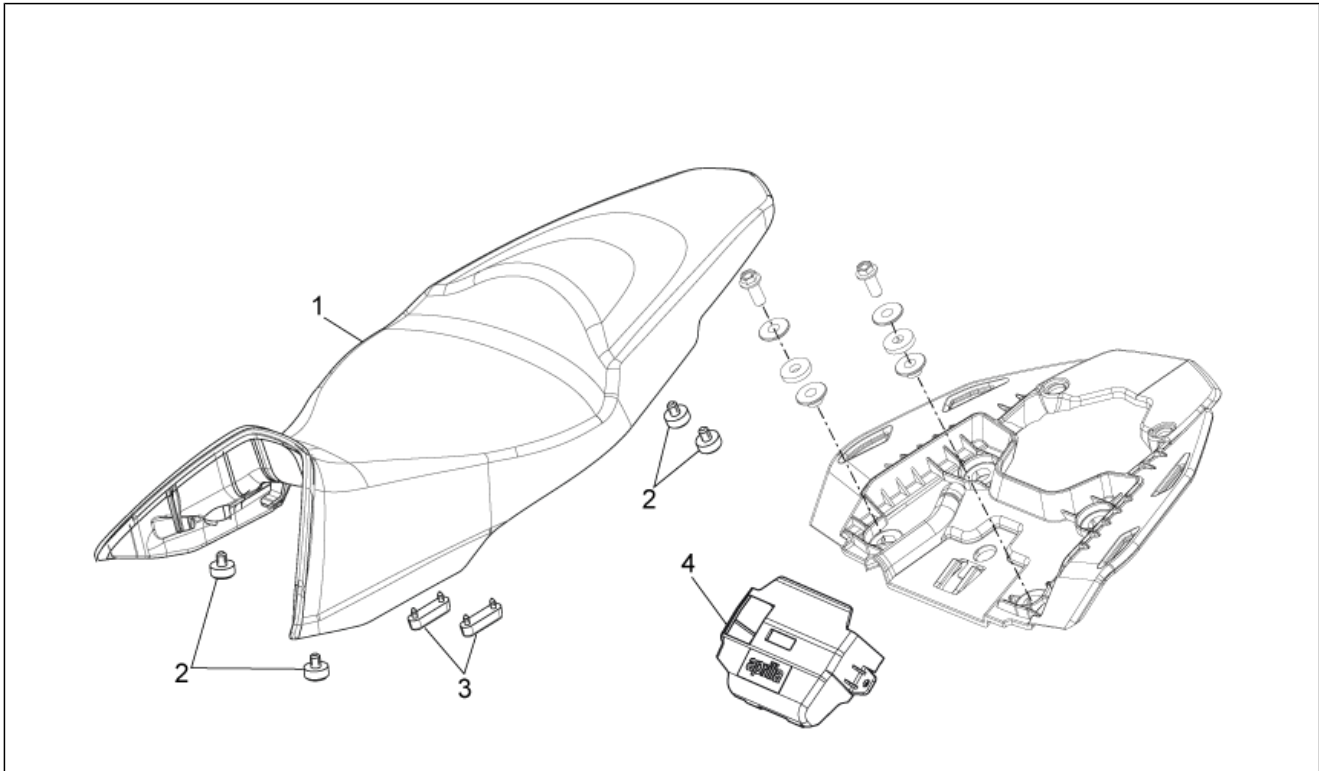
Pos.	Code	Description	Qty	Variants
1	851646	Fuel tank	1	Country:Australia[AA], Other country Europe[EU], Japan[J]
1	858571	Fuel tank	1	Country:United States of America[USA]
2	AP8102676	Float chamber	1	
3	AP8120893	Cap seal	1	
4	AP8144351	Fuel tank gasket	1	
5	854809	Breather pipe	1	
6	854810	Breather pipe	1	
7	AP8152281	Screw w/ flange M6x30	2	
8	AP8121421	T bush	2	
9	AP8144328	Rubber spacer	2	
10	854982	Fuel glass cup	1	Country:Australia[AA], Other country Europe[EU], Japan[J]
10	860069	Fuel glass cup	1	Country:United States of America[USA]
11	890498	Oil breather pipe D6x11	1	
12	AP8102378	Hose clamp D11,3	1	

Group	FRAME
Code	28.13
Description	Fuel pump
Service	1



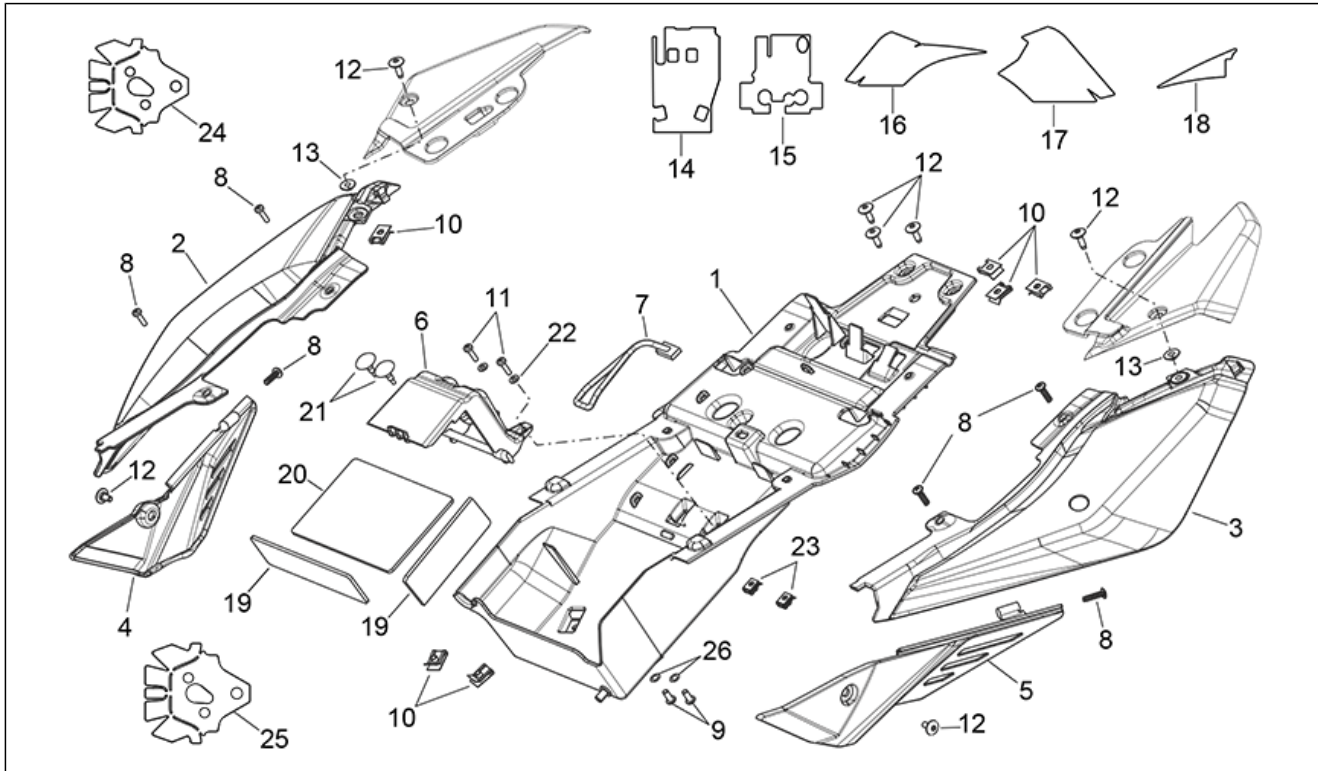
Pos.	Code	Description	Qty	Variants
1	898259	Fuel pump cpl.	1	
2	AP8150451	Low self-locking nut	6	
3	AP8134167	Brake hose hanger	1	
4	GU01107490	Gasket	1	
5	GU01106090	Fuel filter	1	
6	856185	Delivery fuel pipe	1	
7	893743	Fuel level sensor	1	
8	AP8150382	Washer 15x5,5X1,2	6	Country: United States of America[USA]

Group	FRAME
Code	28.14
Description	Saddle
Service	1



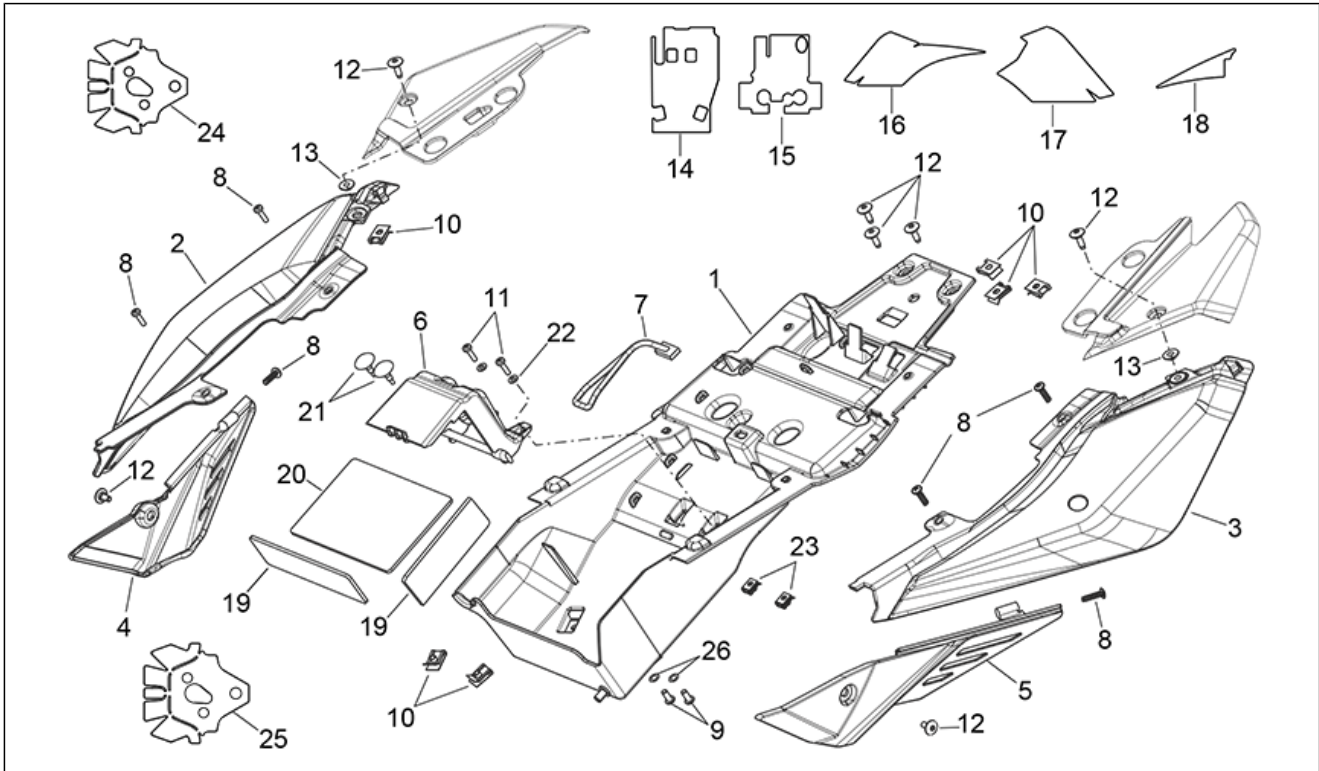
Pos.	Code	Description	Qty	Variants
1	86027900NA	Saddle, black (two p)	1	
2	AP8220349	Rubber spacer	4	
3	AP8126701	Saddle rubber	2	
4	858213	Cover	1	

Group	FRAME
Code	28.15
Description	Rear body I
Service	1



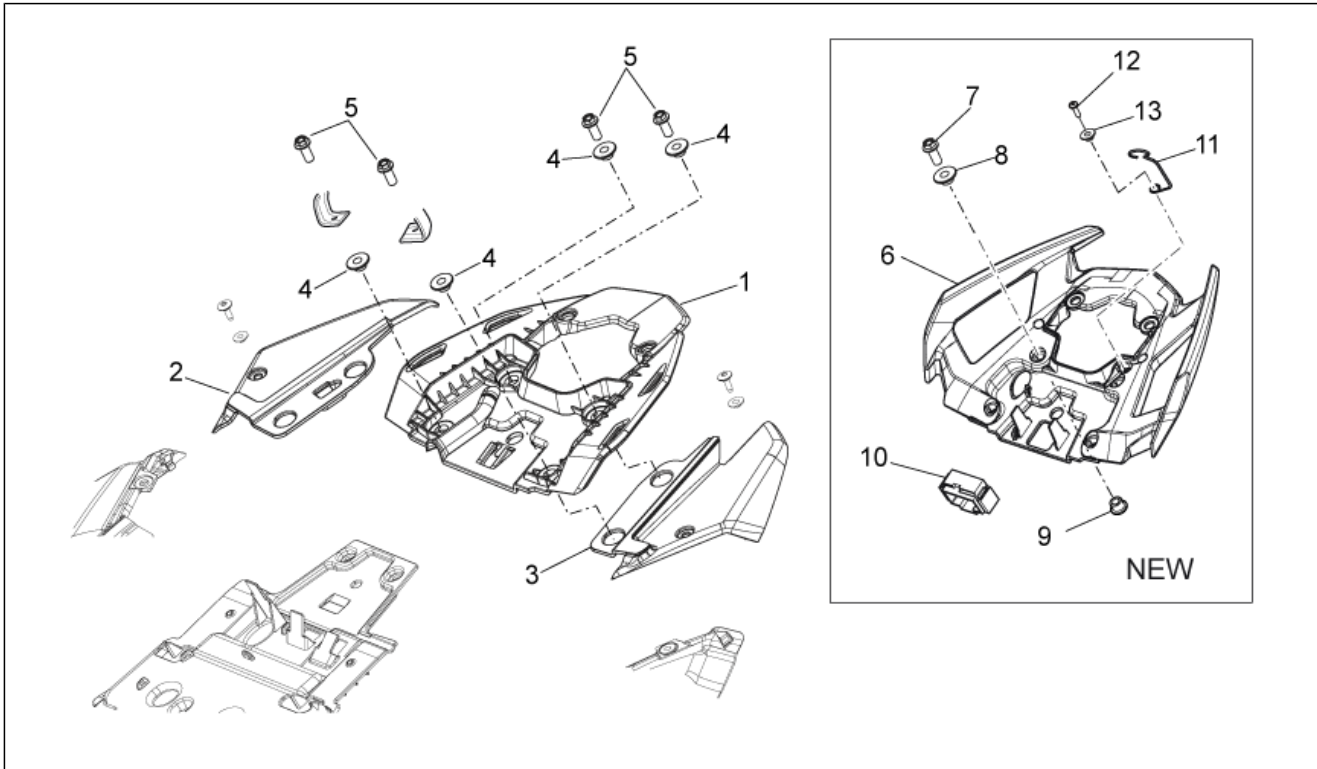
Pos.	Code	Description	Qty	Variants
1	851672	Saddle compartment	1	
2	85166700XE4	RH rear fairing, grey	1	Vehicle colour:Silver Crowd (s.t.893615)[cro] Technical Specifications:Without decals applied[ND]
2	85166700XN7	RH rear fairing, black	1	Vehicle colour:Competition black (s.t.893615)[blk] Technical Specifications:Without decals applied[ND]
2	85166700XR5	RH rear fairing, red	1	Vehicle colour:Damasco red (s.t.893615)[dam] Technical Specifications:Without decals applied[ND]
3	85166800XE4	LH rear fairing, grey	1	Vehicle colour:Silver Crowd (s.t.893615)[cro] Technical Specifications:Without decals applied[ND]
3	85166800XN7	LH rear fairing, black	1	Vehicle colour:Competition black (s.t.893615)[blk] Technical Specifications:Without decals applied[ND]
3	85166800XR5	LH rear fairing, red	1	Vehicle colour:Damasco red (s.t.893615)[dam] Technical Specifications:Without decals applied[ND]
4	851670	RH side panel	1	
5	851669	LH side panel	1	
6	851656	Battery cover	1	
7	AP8120177	Headlight supp.snap	1	
8	AP8152329	Phillips screw, SWP M5x20	6	
9	AP8152273	Screw w/ flange M5X15	2	
10	AP8102375	Clip m5	7	
11	833520	Nut M10X1,25 6H	2	
12	AP8152267	Hex socket screw M5x12	7	
13	AP8121032	Bush	2	
14	851676	Heat protection	1	
15	854983	Heat protection	1	
16	853419	Heat protection	1	
17	853420	Heat protection	1	
18	854986	Heat protection	1	
19	AP8144552	Support rubber part	2	

Group	FRAME
Code	28.15
Description	Rear body I
Service	1



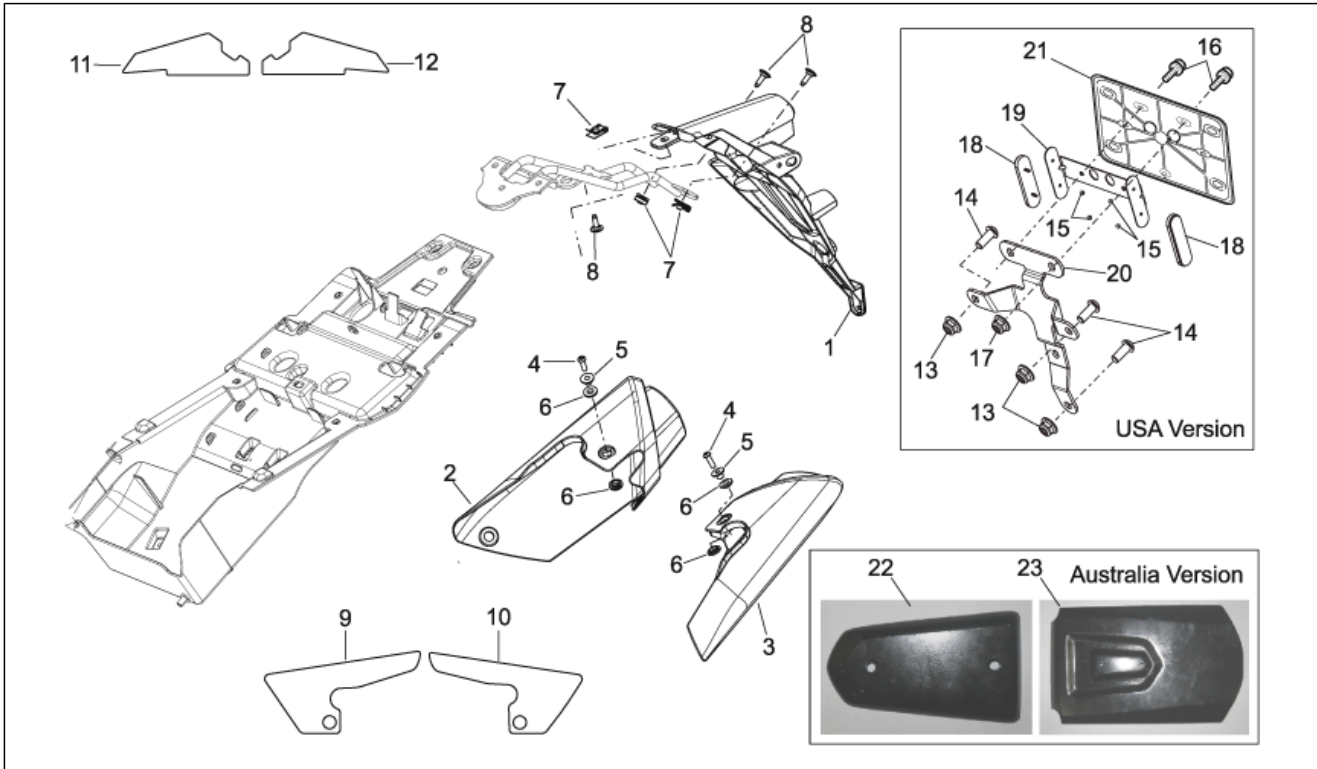
Pos.	Code	Description	Qty	Variants
20	AP8144553	Support rubber part	1	
21	AP8120001	Rubber spacer	2	
22	AP8150158	Washer 4,3X9X0,8	2	
23	AP8102381	Clip M4	2	
26	AP8150012	Washer 5,3x10x1*	2	

Group	FRAME
Code	28.16
Description	Rear body II
Service	1



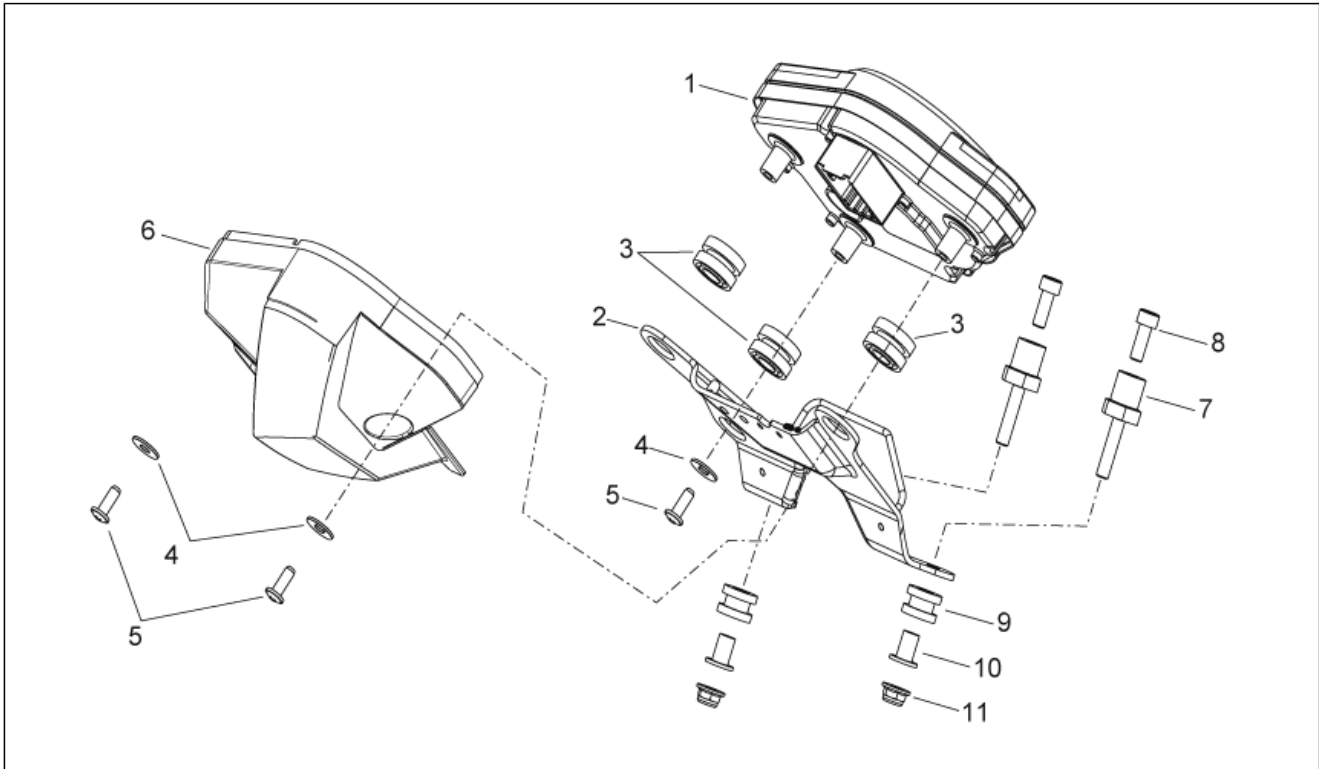
Pos.	Code	Description	Qty	Variants
1	852412	Rear handle	1	Technical Specifications:Old version[Old]
2	85167300XE4	RH side handle Silver Crowd	1	Vehicle colour:Silver Crowd (s.t.893615)[cro]
2	85167300XN7	RH side handle nero	1	Vehicle colour:Competition black (s.t.893615)[blk]
2	85167300XR5	RH side handle rosso	1	Vehicle colour:Damasco red (s.t.893615)[dam]
3	85167400XE4	LH side handle Silver Crowd	1	Vehicle colour:Silver Crowd (s.t.893615)[cro]
3	85167400XN7	LH side handle nero	1	Vehicle colour:Competition black (s.t.893615)[blk]
3	85167400XR5	LH side handle rosso	1	Vehicle colour:Damasco red (s.t.893615)[dam]
4	AP8121716	T bush	4	Technical Specifications:Old version[Old]
5	AP8152287	Screw w/ flange M8x25	4	Technical Specifications:Old version[Old]
6	858074	Rear handle	1	Technical Specifications:New version[New]
7	AP8152288	Screw w/ flange	4	Technical Specifications:New version[New]
8	AP8120508	T bush *	4	Technical Specifications:New version[New]
9	858505	T bush	4	Technical Specifications:New version[New]
10	858212	Rubber fuse box	1	Technical Specifications:New version[New]
11	AP8221206	Helmet holder hook	1	Technical Specifications:New version[New]
12	AP8150413	Self-tap screw 3,9x14	1	Technical Specifications:New version[New]
13	AP8221129	Bush	1	Technical Specifications:New version[New]

Group	FRAME
Code	28.17
Description	Rear body III
Service	1



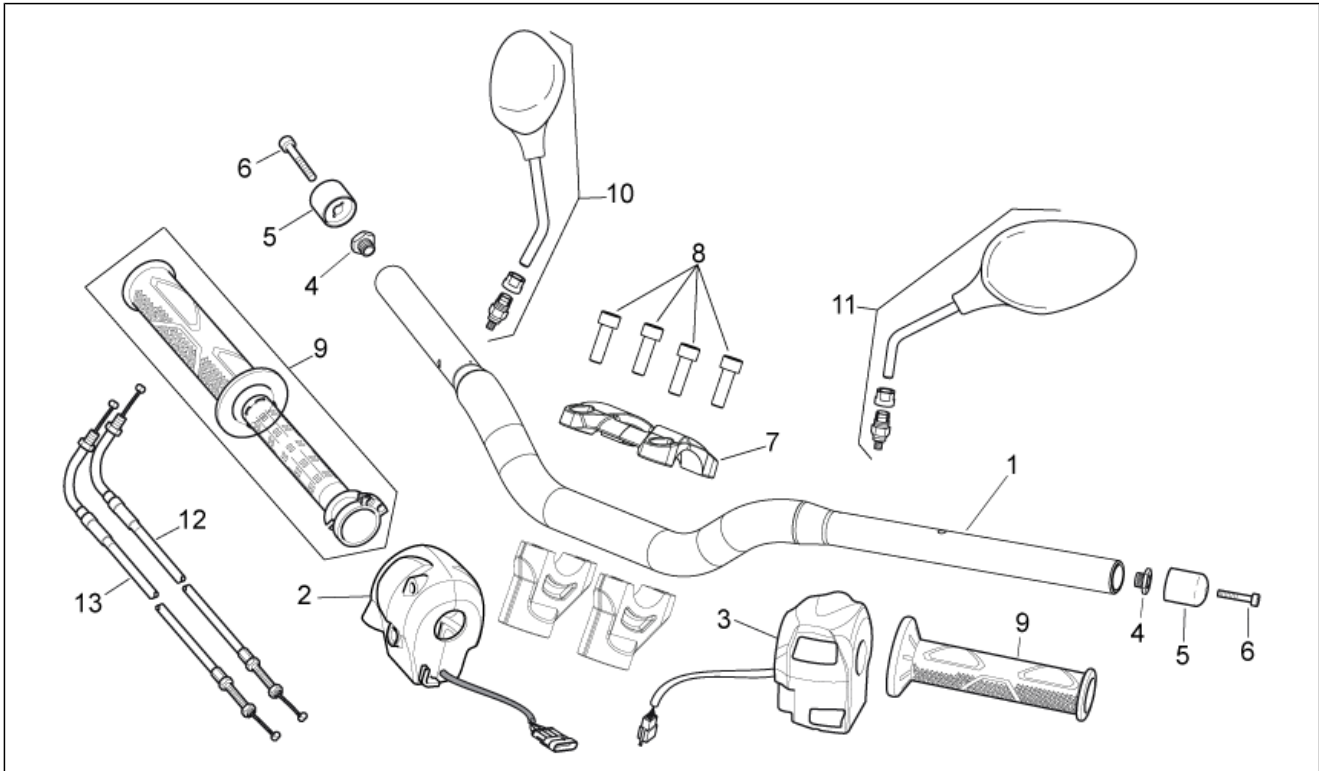
Pos.	Code	Description	Qty	Variants
1	860403	Number plate holder	1	
1	860403	Number plate holder	1	Country: United States of America[USA]
2	85159300XEM	RH silencer cover	1	
3	85159400XEM	LH silencer cover	1	
4	AP8224470	Hex socket screw M6x20	6	
5	AP8221341	T bush	6	
6	AP8221340	T bush	12	
7	AP8102375	Clip m5	4	
8	AP8152339	Screw w/ flange M5x9	2	
9	854968	Heat protection	1	
10	854969	Heat protection	1	
11	853421	Heat protection	1	
12	853422	Heat protection	1	
13	AP8152299	Self-locking nut M6	3	Country: United States of America[USA]
14	AP8152246	Screw w/ flange M6x16	3	Country: United States of America[USA]
15	AP8150204	Nut M4	4	Country: United States of America[USA]
16	AP8152342	Screw w/ flange M6x12	2	Country: United States of America[USA]
17	AP8150430	Low self-locking nut	2	Country: United States of America[USA]
18	AP8124718	Rear reflector, red	2	Country: United States of America[USA]
19	AP8134677	Reflector support	1	Country: United States of America[USA]
20	855071	Maintenance	1	Country: United States of America[USA]
21	AP8149034	Number plate support	1	Country: United States of America[USA]
22	890656	Guard	1	Country: Australia[AA]
23	890655	Guard	1	Country: Australia[AA]

Group	FRAME
Code	28.18
Description	Dashboard
Service	1



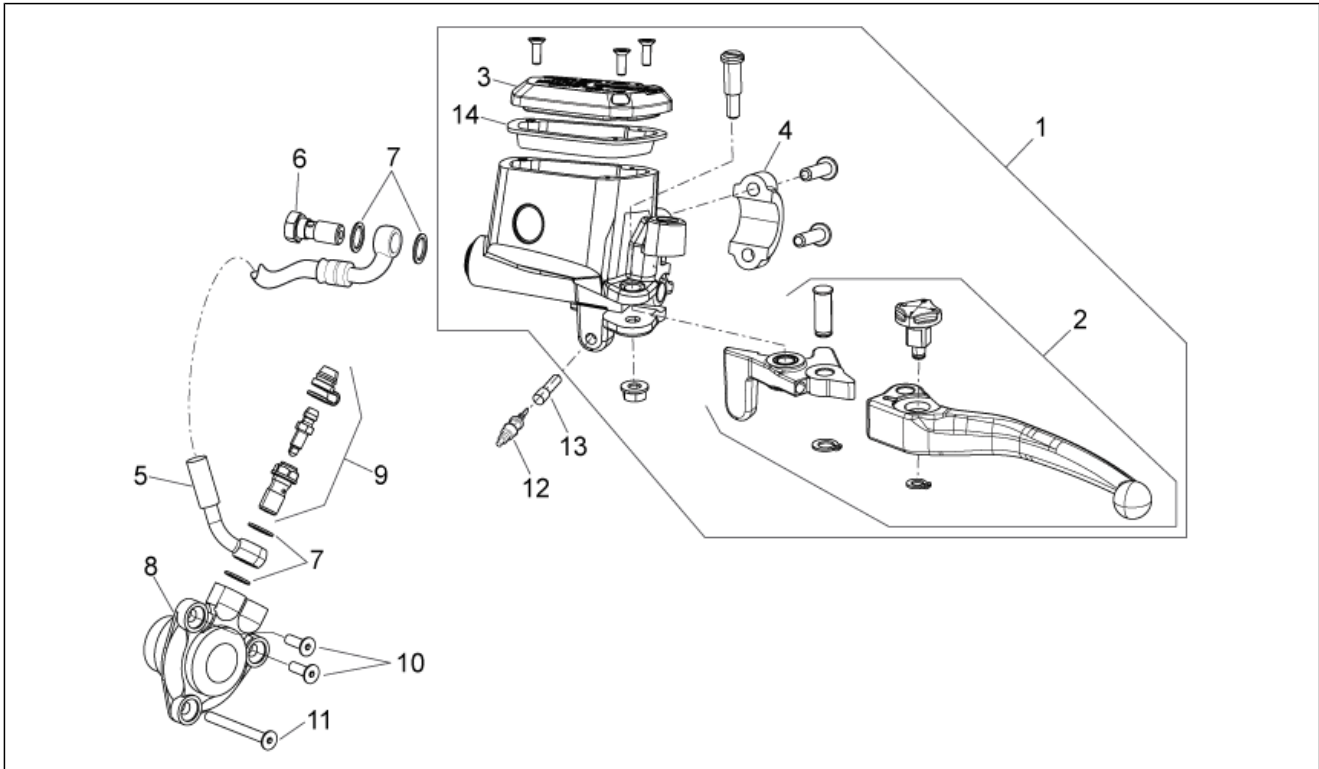
Pos.	Code	Description	Qty	Variants
1	860739	Dashboard complete	1	
2	854592	Socket support	1	
3	AP8144662	Rubber spacer	3	
4	AP8150382	Washer 15x5,5X1,2	3	
5	AP8150509	Self-tap screw 5x14	3	
6	851636	Dashboard cover	1	
7	853212	Special screw	2	
8	AP8150137	Hex socket screw	2	
9	AP8220370	Filter housing rubber	2	
10	AP8121725	T bush *	2	
11	AP8152299	Self-locking nut M6	2	

Group	FRAME
Code	28.19
Description	Handlebar - Controls
Service	1



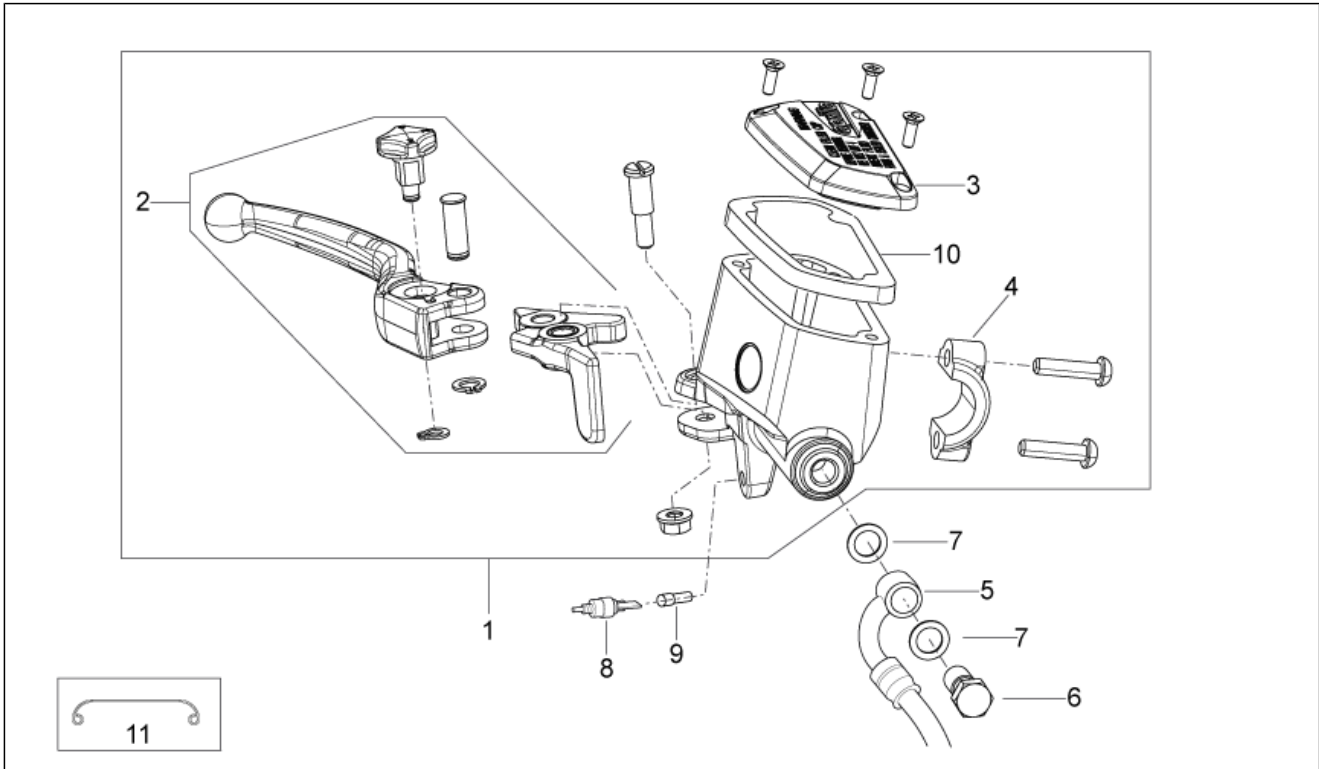
Pos.	Code	Description	Qty	Variants
1	851626	Conical handlebar	1	Country: United States of America[USA]
1	851626	Conical handlebar	1	Technical Specifications: Taper 22-28mm[28]
1	890852	Tubular handlebar	1	Technical Specifications: Tubular Diameter 22mm[22]
2	893622	RH lights selector	1	
3	859806	LH lights selector	1	
4	AP8121520	Anti vib.weight trailing	2	
5	AP8104509	Anti.v weight, black	2	
6	AP8152003	Hex socket screw M6x40	2	
7	851628	Upper U-bolt	1	Technical Specifications: Taper 22-28mm[28]
7	851628	Upper U-bolt	1	Country: United States of America[USA]
7	851901	Upper U-bolt	1	Technical Specifications: Tubular Diameter 22mm[22]
8	AP8152486	Screw M8x25 INOX	4	
9	AP8118619	Handgrip pair, black	1	
10	AP8104921	RH rearview mirror	1	
11	AP8104922	LH rearview mirror	1	
12	85173R	Gas trasmission delivery	1	
13	85174R	Gas trasmission return	1	

Group	FRAME
Code	28.20
Description	Clutch pump
Service	1



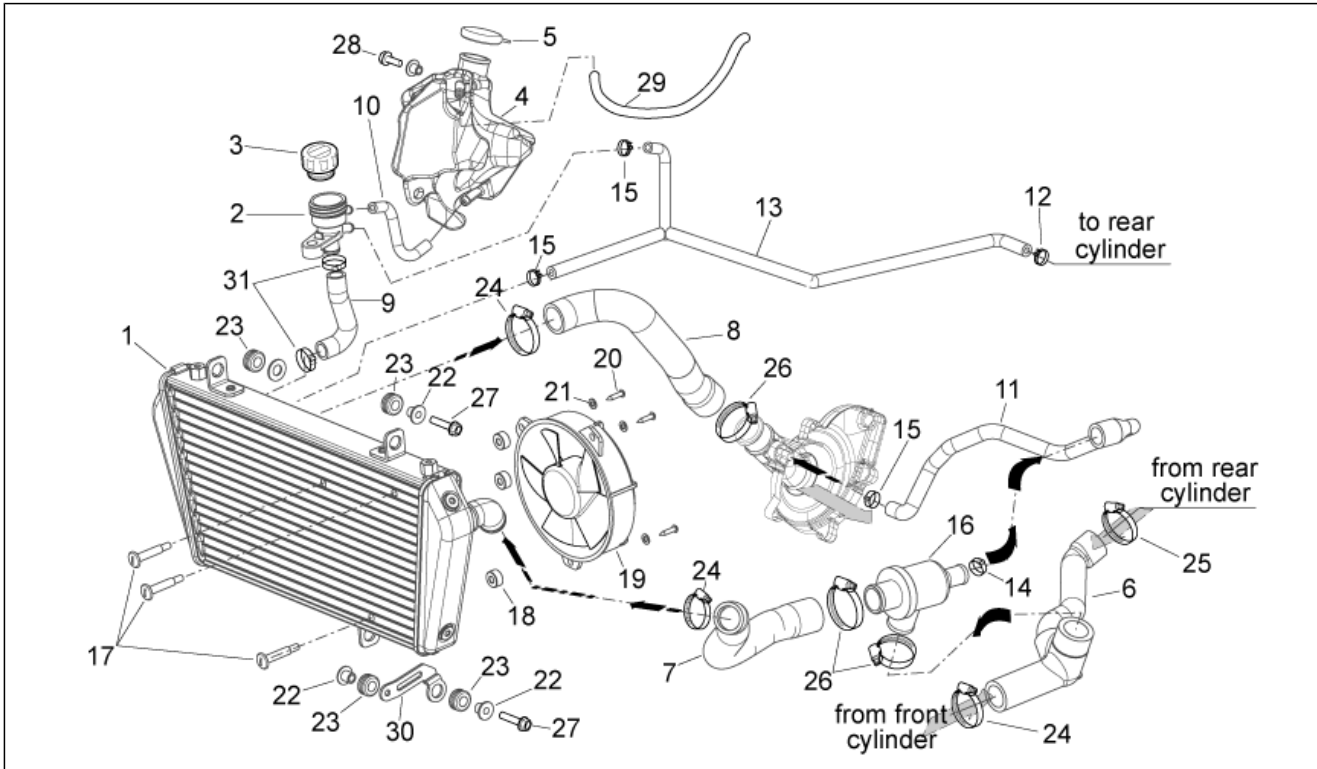
Pos.	Code	Description	Qty	Variants
1	851645	Clutch pump	1	
2	856054	Clutch lever	1	
3	856055	Cover	1	
4	856050	U-bolt	1	
5	854835	Clutch pipe	1	
6	AP8113003	Oil pipe screw *	1	
7	AP8113004	Washer 10x14x1,6*	4	
8	873115	Clutch command cylinder	1	
9	AP8133945	Bleeder kit	1	
10	874037	Screw	2	
11	873268	Screw	1	
12	AP8127305	stop Button	1	
13	AP8220135	Rubber spacer *	1	
14	858424	Diaphragm	1	

Group	FRAME
Code	28.21
Description	Front master cilinder
Service	1



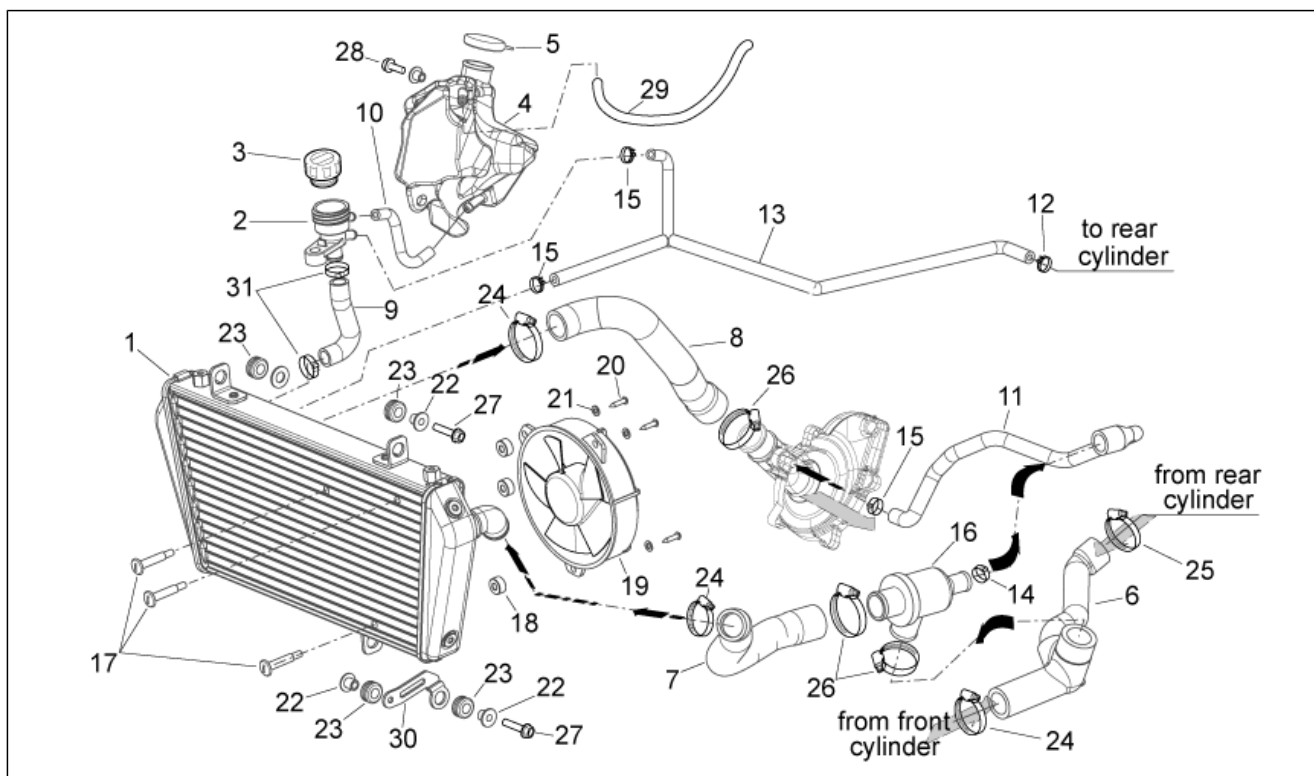
Pos.	Code	Description	Qty	Variants
1	851723	Front master cilinder D14	1	Technical Specifications: Standard Version[std]
1	859781	Front master cilinder D14	1	Technical Specifications: ABS Shiver version[ABS]
2	856048	Brake lever	1	
3	856049	Cover	1	
4	856050	U-bolt	1	
5	893144	Front brake hose	1	Technical Specifications: Standard Version[std]
5	893736	Front brake hose	1	Technical Specifications: ABS Shiver version[ABS]
6	AP8113003	Oil pipe screw *	1	
7	AP8113004	Washer 10x14x1,6*	2	
8	AP8127305	stop Button	1	
9	AP8220135	Rubber spacer *	1	
10	858423	Diaphragm	1	
11	893147	Fairlead	1	

Group	FRAME
Code	28.22
Description	Cooling system
Service	1



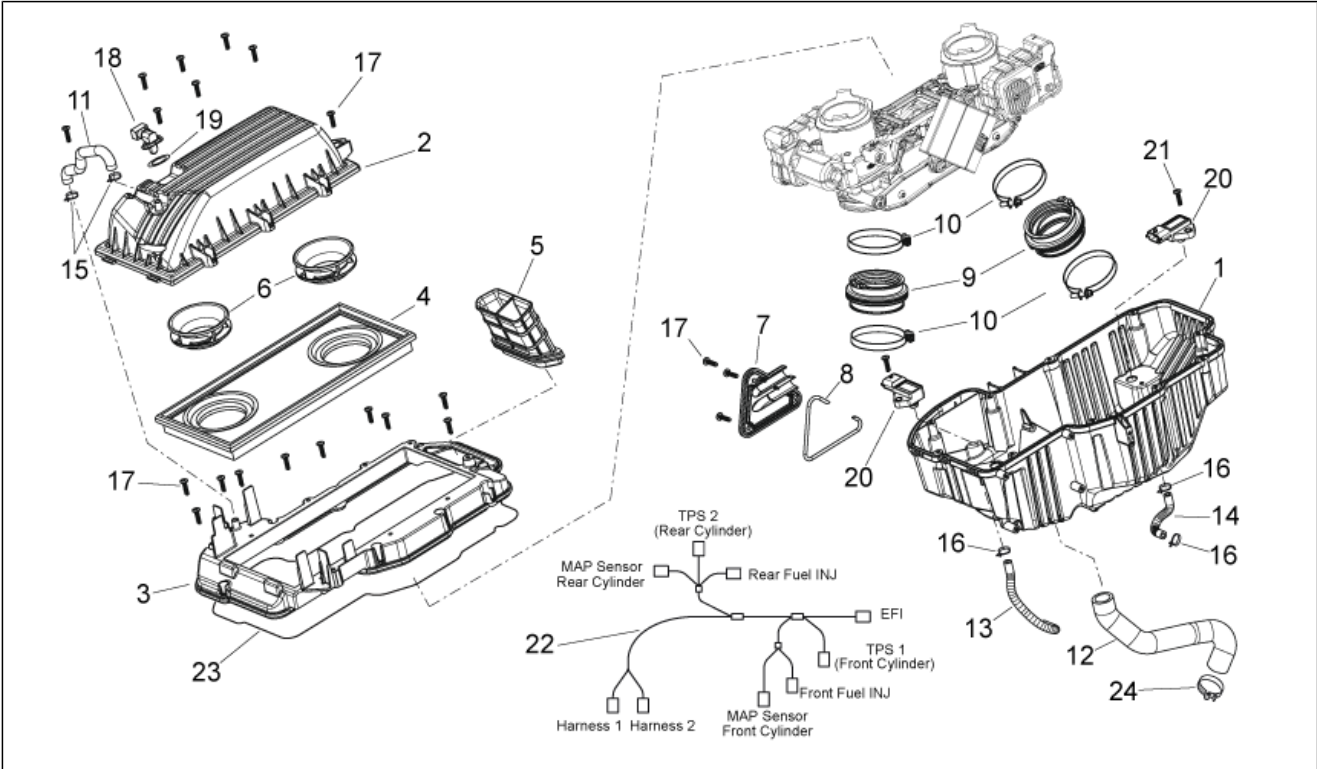
Pos.	Code	Description	Qty	Variants
1	851596	Water cooler	1	
2	AP8144644	Filler cap	1	
3	AP8102615	Cover	1	
4	851597	Expansion tank	1	
5	AP8104836	Expansion tank plug	1	
6	851683	Water pipe	1	
7	851598	Thermostat-cooler pipe	1	
8	851600	Cooler-pump pipe	1	
9	851599	Water rad.feed pipe	1	
10	851601	Breather pipe	1	
11	851602	Motor-pump valve tube	1	
12	AP8120446	Hose clip, green D11x6,6x1	1	
13	860328	Breather pipe	1	
14	AP8101743	Hose clip D23,5x8*	1	
15	CM001914	Hose clamp	4	
16	834232	Thermostat valve set 85°C	1	
17	AP8121464	Pin	3	
18	AP8161083	Spacer	3	
19	AP8124930	Fan, cpl.	1	
20	AP8150120	Screw 4,2x22*	3	
21	AP8150012	Washer 5,3x10x1*	3	
22	AP8221023	T bush	3	
23	AP8120030	Rubber spacer	4	
24	CM001924	Hose clamp	3	
25	AP8201409	Hose clip 290x8,9	1	
26	AP8104097	Hose clamp	3	
27	AP8152280	Screw w/ flange M6x25	2	
28	AP8152279	Screw w/ flange M6x20	1	

Group	FRAME
Code	28.22
Description	Cooling system
Service	1



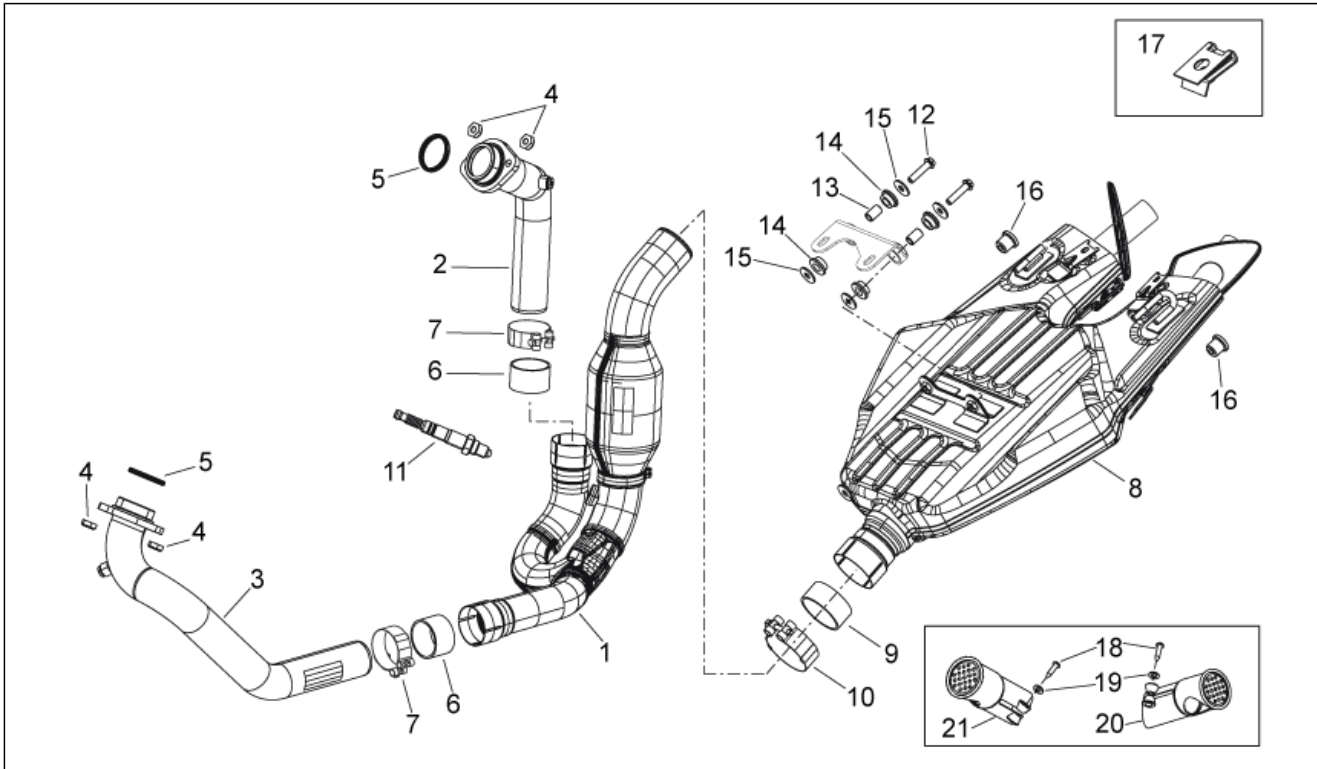
Pos.	Code	Description	Qty	Variants
29	AP8120952	Fuel pipe 5,5x10	1	
30	853458	Water cooler support	1	
31	CM001905	Hose clamp	2	

Group	FRAME
Code	28.23
Description	Air box
Service	1



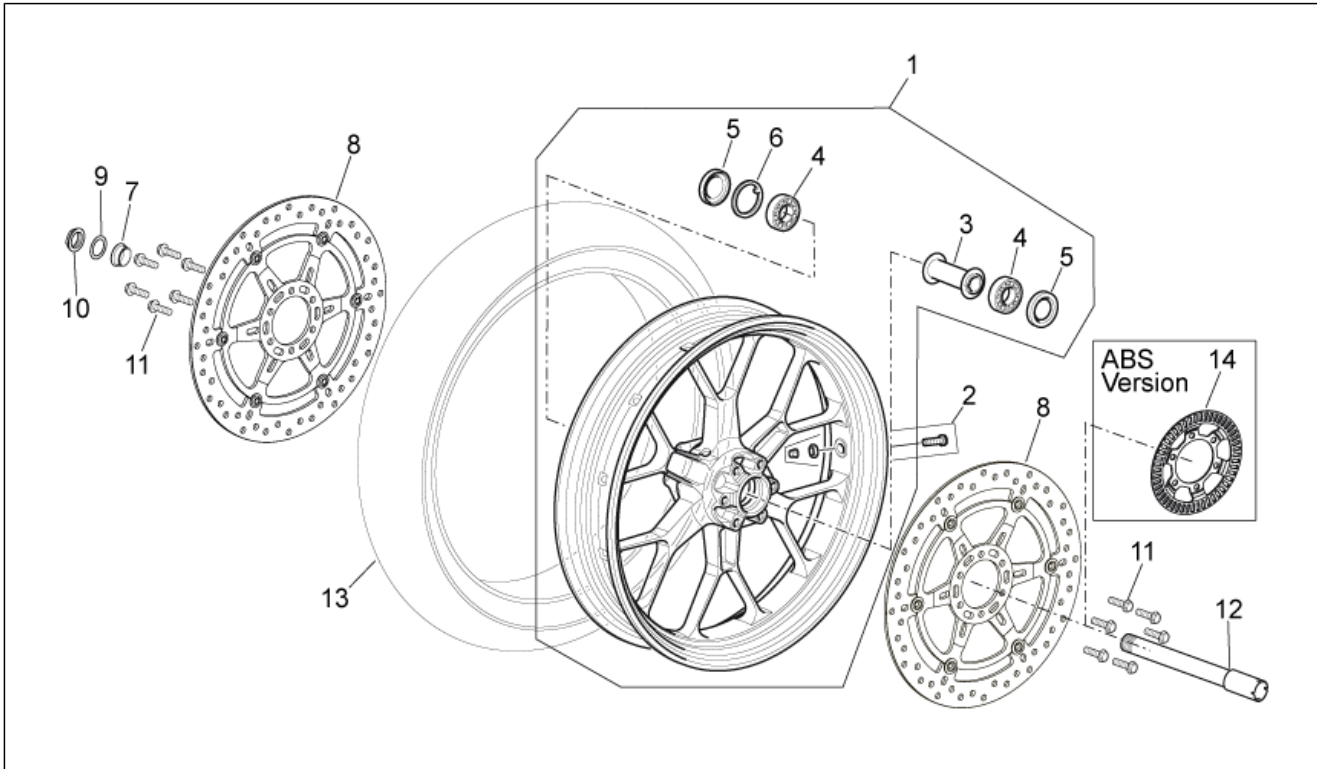
Pos.	Code	Description	Qty	Variants
1	851577	Filter housing base	1	
2	854946	Filter housing cover	1	
3	851576	Filter housing body	1	
4	851575	Air filter	1	
5	858133	Intake pipe	1	
6	851581	Air intake pipe	2	
7	851685	Cover	1	
8	AP8144245	Gasket d.5	1	
9	851570	Throttle body hose	2	
10	854970	Hose clamp SM9C W1 6	4	
11	851567	Breather pipe BLOW-BY	1	
12	851785	Breather pipe BLOW-BY	1	
13	856314	Front preformed pipe	1	
14	856315	Rear preformed pipe	1	
15	AP8102520	Hose clamp	2	
16	AP8201358	Hose clamp D 11,9	4	
17	AP8152329	Phillips screw, SWP M5x20	21	
18	GU30729330	Air temp. Sensor	1	
19	GU30027931	Gasket	1	
20	638562	Air pressure sensor	2	
21	AP8150509	Self-tap screw 5x14	2	
22	853434	Injection wiring	1	
23	AP8120593	Gasket D4	1	
24	AP8120536	Hose clip D28x8,6*	1	

Group	FRAME
Code	28.25
Description	Exhaust unit
Service	1



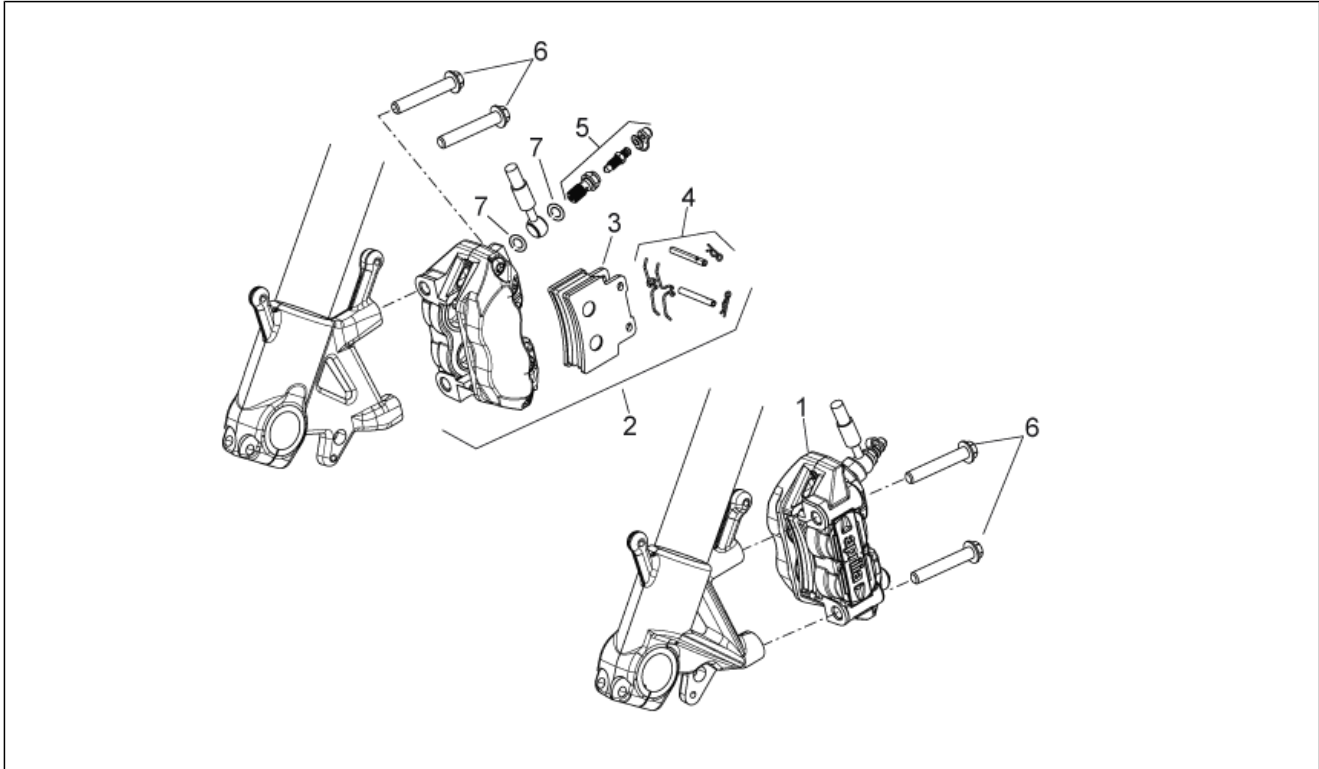
Pos.	Code	Description	Qty	Variants
1	851587	Central exhaust manifold	1	
2	851589	Rear exhaust pipe	1	
3	851590	Front. Exhaust pipe	1	
4	AP8150334	Nut M8	4	
5	851582	Exhaust pipe gasket	2	
6	GU05121630	Gasket	2	
7	GU05123431	LH hose clamp	2	
8	851591	Silencer	1	
9	GU05128230	Gasket	1	
10	851586	LH manifold pipe	1	
11	896110	Lamda sensor l.660 mm	1	
12	AP8152289	Screw w/ flange	2	
13	AP8121455	Spacer bush	2	
14	856914	Rubber spacer	4	
15	AP8150018	Washer	4	
16	852433	Rubber spacer	2	
17	254485	Spring plate M6	6	
18	031060	Hex screw	2	
19	AP8150012	Washer 5,3x10x1*	2	
20	860706	RH terminal	1	
21	860707	LH terminal	1	

Group	FRAME
Code	28.26
Description	Front wheel
Service	1



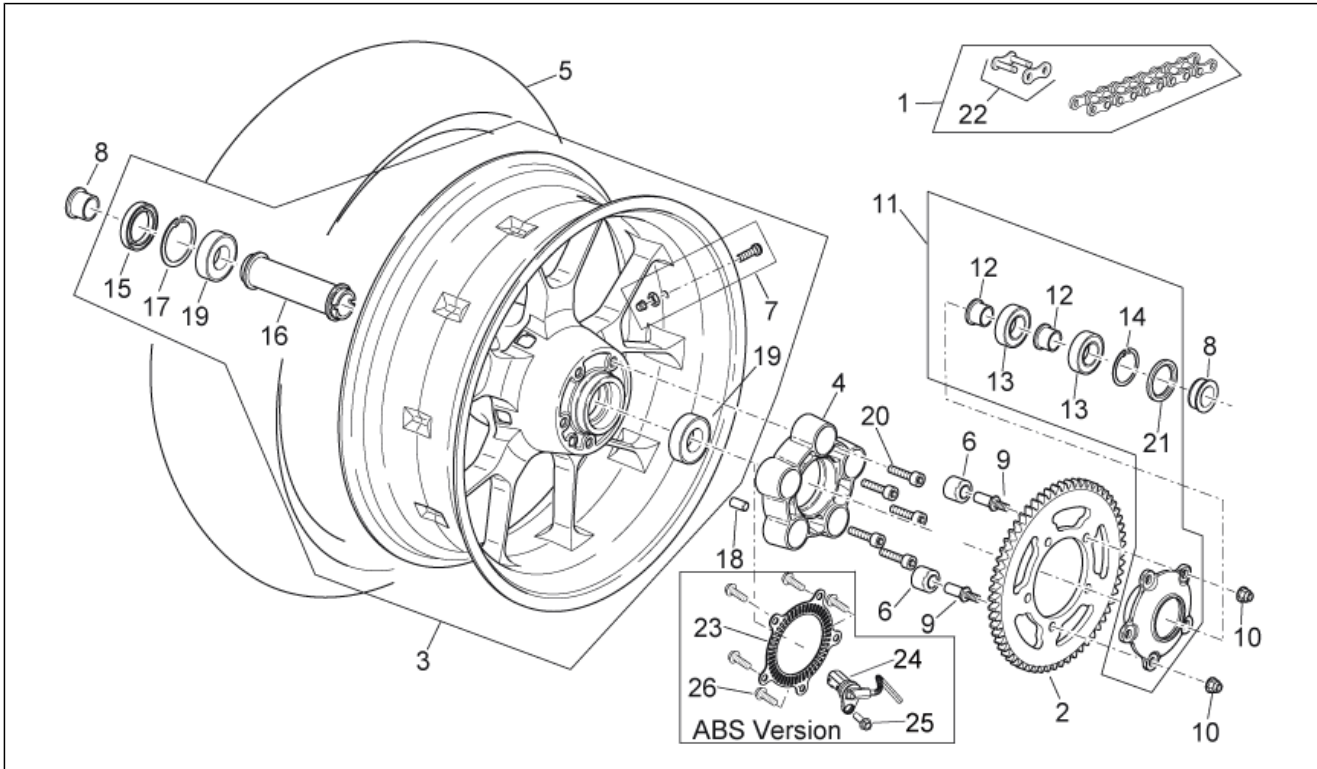
Pos.	Code	Description	Qty	Variants
1	854791	Front wheel 3,5"x17"	1	
2	AP8101744	Tubeless tyre valve	1	
3	AP8128169	Internal spacer	1	
4	AP8125777	Ball bearing 25x47x12	2	
5	AP8125773	Gasket ring 30x47x7	2	
6	AP8125779	Circlip	1	
7	AP8125728	Front RH whe.ou.spacer	1	
8	897358	Front brake disc	2	Technical Specifications: Blanking[BL]
8	AP8133781	Front brake disc	2	Technical Specifications: Sunstar[SU]
9	AP8152323	Washer 25,2x36x1	1	
10	AP8152335	Wheel spindle nut	1	
11	AP8152286	Screw w/ flange M8x20	12	
12	AP8125827	Front wheel spindle	1	
13	85156R	Front tyre 120/70 ZR 17"	1	
14	AP8128189	Wheel speed sensor, left front	1	Technical Specifications: ABS Shiver version[ABS]

Group	FRAME
Code	28.27
Description	Front brake caliper
Service	1



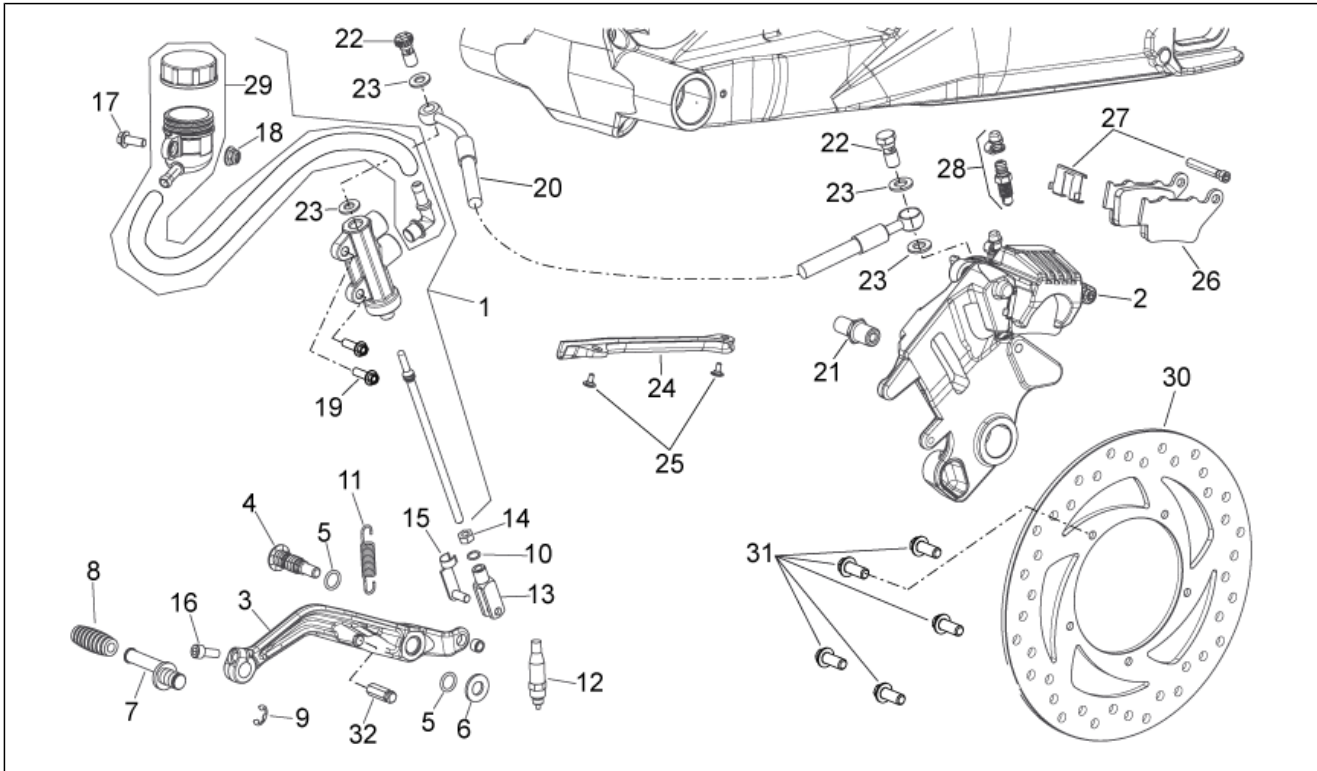
Pos.	Code	Description	Qty	Variants
1	851724	LH front brake caliper	1	
2	AP8133841	Front brake caliper, gold	1	
3	AP8133943	Front pads pair	2	
4	AP8133944	Pin+Brake spring	2	
5	AP8133945	Bleeder kit	2	
6	AP8152414	Screw w/ flange M10x55	4	
7	AP8113004	Washer 10x14x1,6*	2	

Group	FRAME
Code	28.28
Description	Rear wheel
Service	1



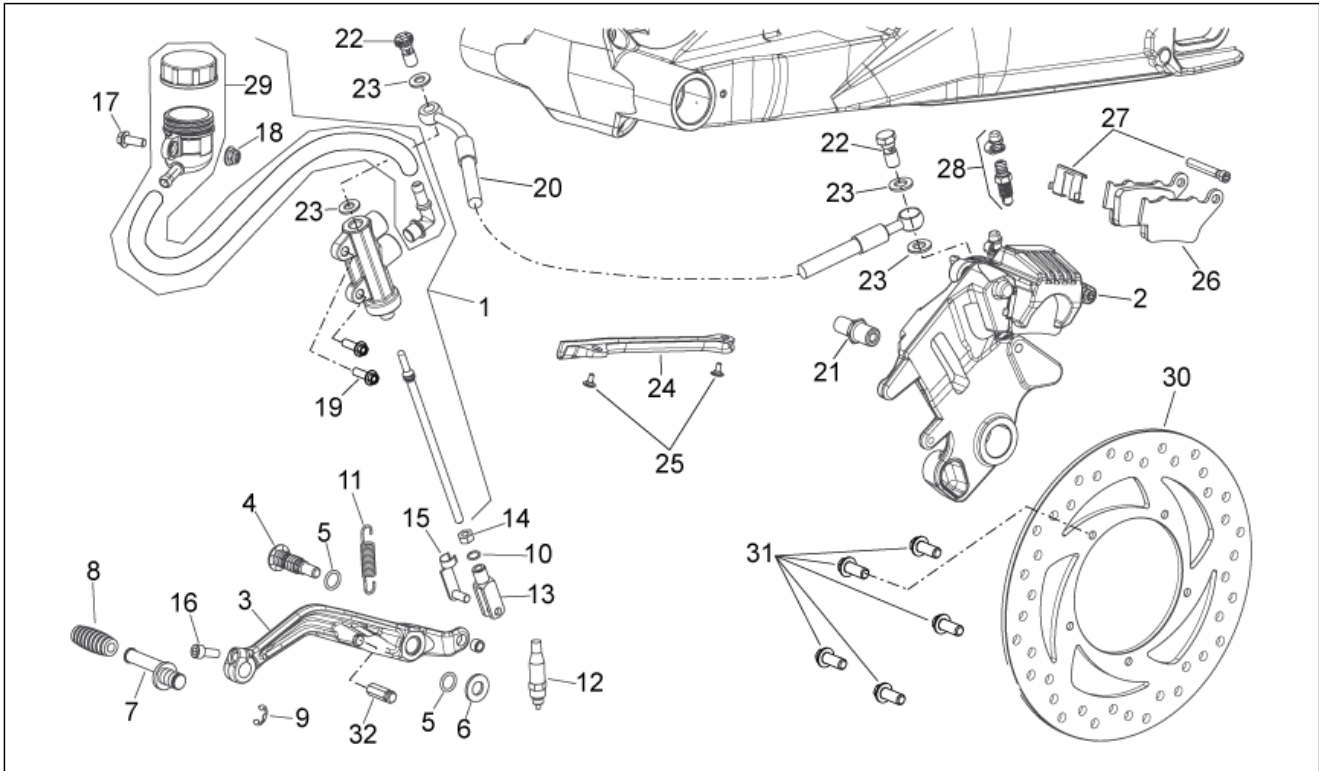
Pos.	Code	Description	Qty	Variants
1	859752	Chain cpl conn.link	1	
2	CM221709	Chain ring Z=44 AL	1	
3	854792	Rear wheel 6"x17"	1	
4	854793	Rear wheel spring drive holder	1	
5	85157R	Rear tyre	1	
6	AP8125731	Flexible coupling rubber	5	
7	AP8101744	Tubeless tyre valve	1	
8	AP8121225	Rear wheel spacer	2	
9	B045033	Pin	5	
10	AP8150436	Low self-locking nut	5	
11	AP8125730	Crown holder cpl.	1	
12	AP8125732	Spring drive spacer	2	
13	AP8110081	Bearing 30x55x13	2	
14	AP8121212	Inside circlip d55	1	
15	AP8125786	Gasket ring 38x52x7	1	
16	AP8128170	Internal spacer	1	
17	AP8125788	Circlip	1	
18	AP8150463	Pin 10x20	1	
19	AP8106806	Bearing 6205-2rs1 25x52x15	2	
20	AP8150195	Hex socket screw M10x30	5	
21	AP8121213	Gasket ring 38x55x7	1	
22	AP8107150	Connecting link	1	
23	890961	Wheel speed sensor, left front	1	Technical Specifications: ABS Shiver version[ABS]
24	859792	Sensor ABS	1	Technical Specifications: ABS Shiver version[ABS]
25	AP8152273	Screw w/ flange M5X15	1	Technical Specifications: ABS Shiver version[ABS]
26	AP8201749	Screw M4x6	5	Technical Specifications: ABS Shiver version[ABS]

Group	FRAME
Code	28.29
Description	Rear brake system
Service	1



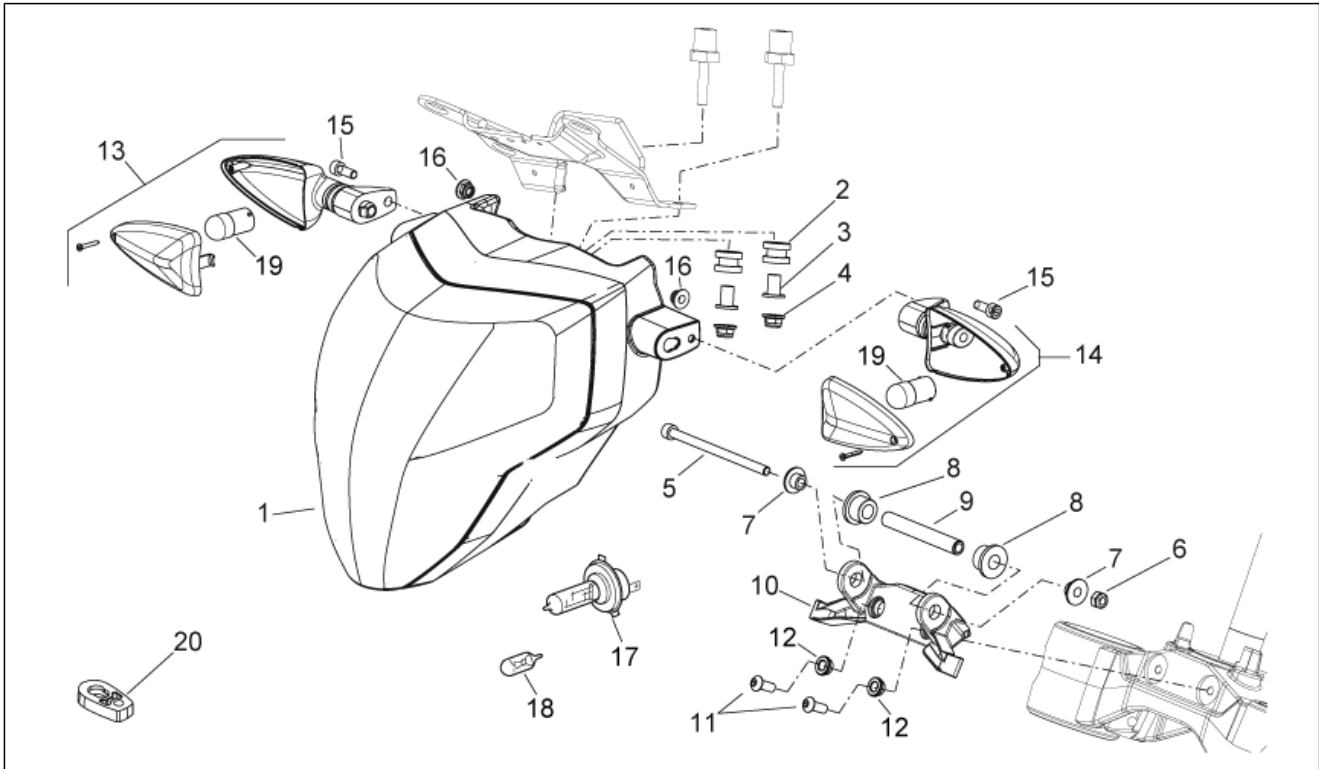
Pos.	Code	Description	Qty	Variants
1	852023	Brake m.cyl., w/ reservoir	1	Technical Specifications: Standard Version[std]
1	859784	Brake m.cyl., w/ reservoir	1	Technical Specifications: ABS Shiver version[ABS]
2	851725	Rear brake caliper	1	Technical Specifications: Standard Version[std]
2	860111	Rear brake caliper	1	Technical Specifications: ABS Shiver version[ABS]
3	851615	Rear brake lever	1	
4	AP8121223	Rear brake lever pin	1	
5	AP8144007	O-ring 11,11x1,78	2	
6	AP8150020	Washer 10,5x21x2*	1	
7	AP8121221	Brake lever pin	1	
8	AP8120912	Lever rubber	1	
9	AP8150462	Circlip d9	1	
10	AP8120178	O-ring OR112	1	
11	AP8121927	Rear brake lever spring	1	
12	AP8112996	Microswitch	1	
13	AP8101968	Fork	1	
14	AP8150026	Nut M6	1	
15	AP8201301	Gear selector fork clips	1	
16	AP8150137	Hex socket screw	1	
17	AP8152278	Screw w/ flange M6x16	1	
18	AP8152299	Self-locking nut M6	1	
19	AP8152279	Screw w/ flange M6x20	2	
20	852494	Rear brake hose	1	
21	AP8121407	Brake supp. plate pin	1	
22	AP8113003	Oil pipe screw *	2	
23	AP8113004	Washer 10x14x1,6*	2	
24	854893	Brake hose protection	1	
24	859792	Sensor ABS	1	Technical Specifications: ABS Shiver version[ABS]
25	AP8152273	Screw w/ flange M5X15	1	Technical Specifications: ABS Shiver version[ABS]

Group	FRAME
Code	28.29
Description	Rear brake system
Service	1



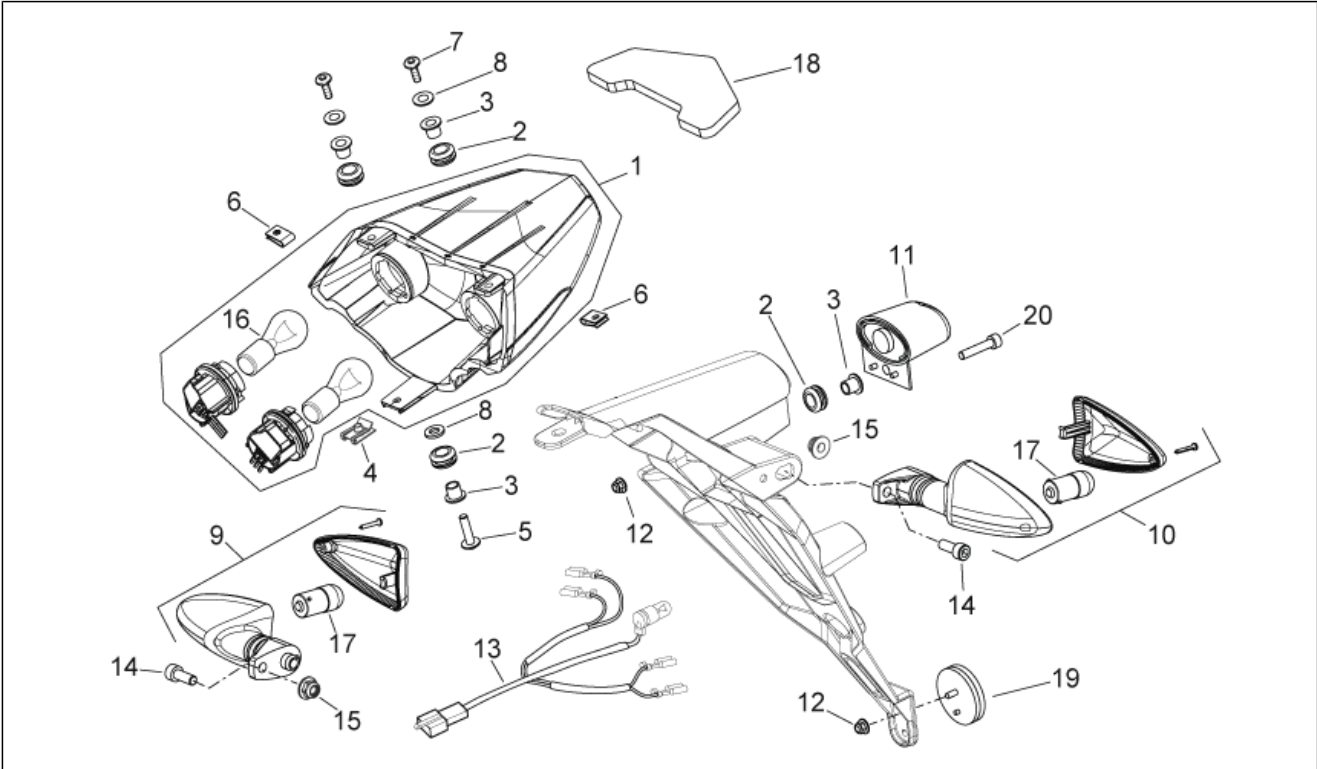
Pos.	Code	Description	Qty	Variants
25	AP8152339	Screw w/ flange M5x9	2	
26	858200	Rear pads pair	1	
27	856052	Pins+Caliper springs	1	
28	AP8213574	Air bleed valve	1	
29	856053	Oil tank	1	
30	859714	Brake disc	1	Technical Specifications: ABS Shiver version[ABS]
30	AP8133789	Rear brake disc D.240	1	Technical Specifications: Standard Version[std]
31	AP8152286	Screw w/ flange M8x20	5	
32	GU05677730	Springs fixing pin	1	

Group	FRAME
Code	28.30
Description	Front lights
Service	1



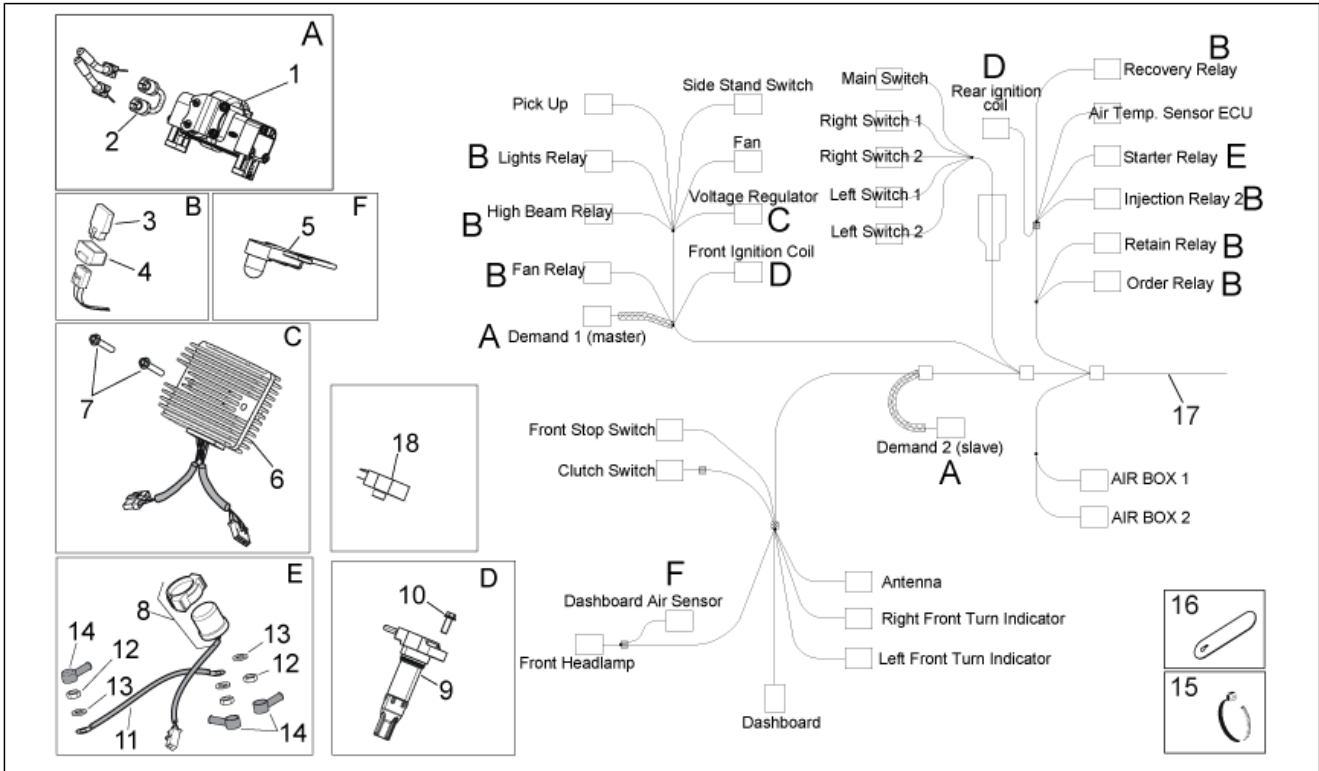
Pos.	Code	Description	Qty	Variants
1	851637	Headlight	1	
2	AP8220370	Filter housing rubber	2	
3	AP8121725	T bush *	2	
4	AP8152299	Self-locking nut M6	2	
5	478171	Hex socket screw M6x100	1	
6	AP8152299	Self-locking nut M6	1	
7	AP8221349	T bush	2	
8	AP8220192	Rubber spacer *	2	
9	AP8134419	Fuel tank bush	1	
10	851592	Support clamp	1	
11	AP8152108	Hex socket screw	2	
12	AP8221129	Bush	2	
13	854555	RH front turn indicator	1	
14	854556	LH front turn indicator	1	
15	AP8152268	Hex socket screw M5x16	2	
16	AP8152306	Self-locking nut m5	2	
17	294353	Lamp H7 55W 12V	2	
18	292022	Lamp 12V-5W	2	
19	AP8127489	Lamp RY10W 12V	2	
20	890094	Spacer	1	

Group	FRAME
Code	28.31
Description	Rear lights
Service	1



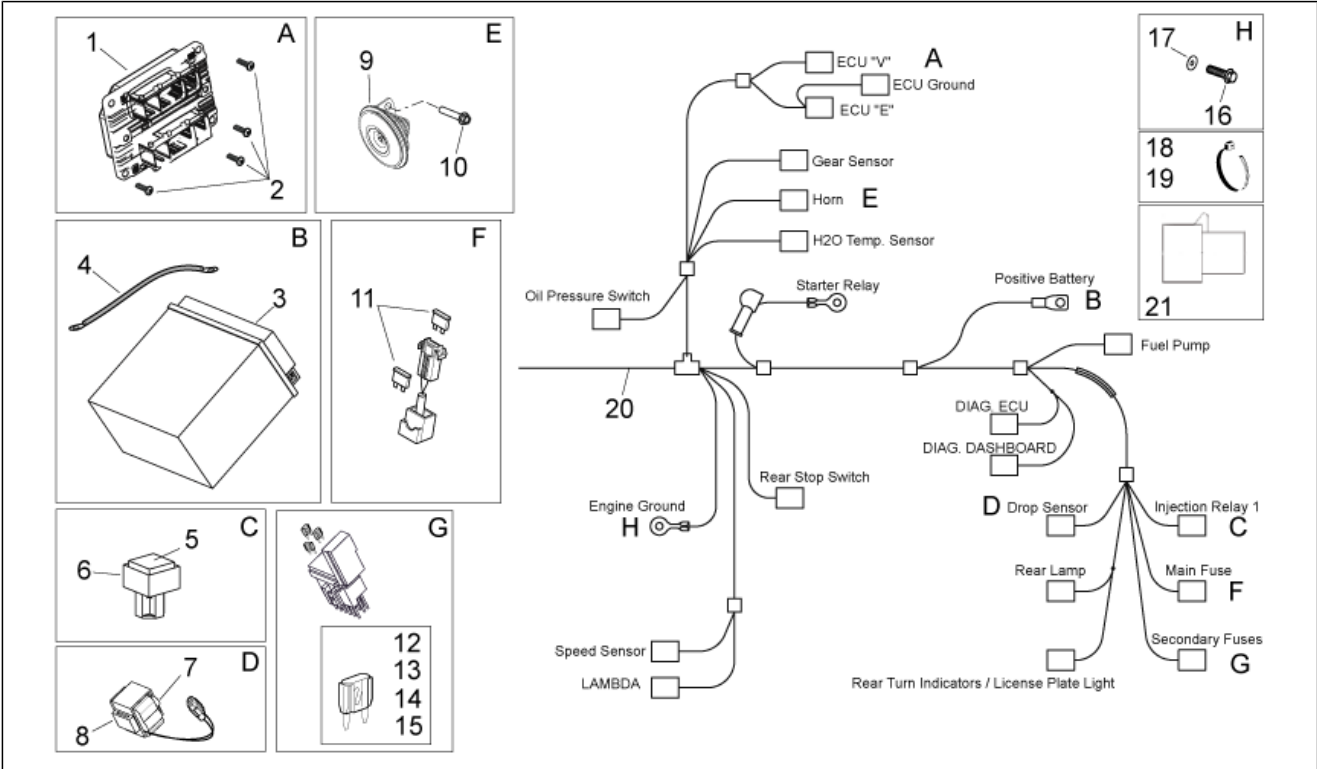
Pos.	Code	Description	Qty	Variants
1	851638	Taillight	1	
2	AP8112600	Rubber spacer	2	
2	AP8112600	Rubber spacer	1	
2	AP8112600	Rubber spacer	1	
3	AP8121795	T bush	1	
3	AP8121795	T bush	1	
3	AP8121795	T bush	2	
4	AP8102375	Clip m5	1	
5	AP8152270	Hex socket screw M5x25	1	
6	AP8102375	Clip m5	2	
7	AP8152298	Screw w/ flange M5x16	2	
8	AP8150382	Washer 15x5,5X1,2	2	
9	AP8127803	Turn signal lamp DX	1	
10	AP8127804	Turn signal lamp SX	1	
11	AP8127098	Number-plate light	1	
12	AP8152306	Self-locking nut m5	2	
13	859812	Taillight wiring harn.	1	
14	AP8150137	Hex socket screw	2	
15	AP8152299	Self-locking nut M6	2	
16	129953	Lamp 12V-21/5W	2	
17	AP8127489	Lamp RY10W 12V	2	
18	856087	Vibration-damping rubber	1	
19	AP8224164	Rear reflector, red	1	
20	AP8150350	Hex socket screw M5x25	1	

Group	FRAME
Code	28.32
Description	Electrical system I
Service	1



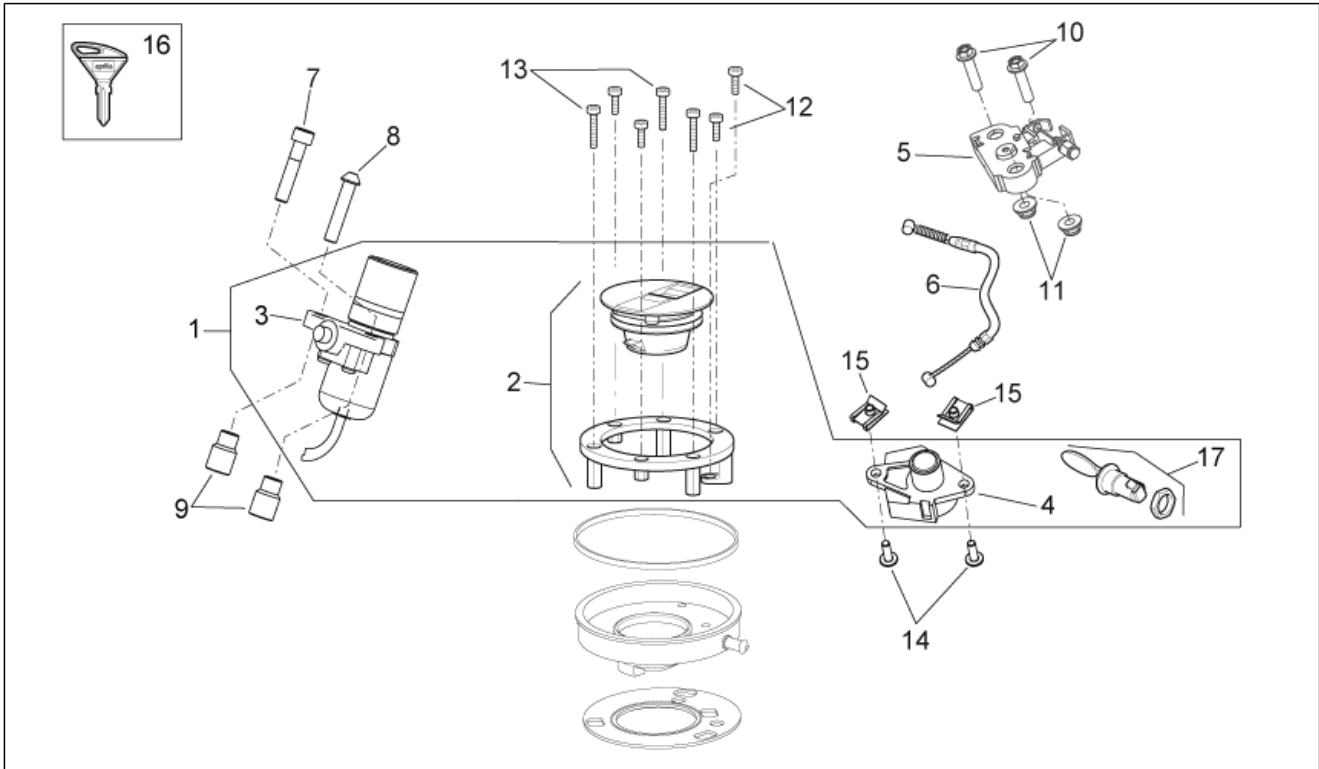
Pos.	Code	Description	Qty	Variants
1	872664	Demand Sensor	1	
2	854811	Rubber spacer	1	
3	AP8224462	Relay 12V/30A	7	
4	AP8220283	Rubber spacer *	7	
5	AP8124936	Air temp. Sensor	1	
6	640698	Voltage regulator	1	
7	AP8152281	Screw w/ flange M6x30	2	
8	AP8112927	Relay 12V-150A	1	
9	640695	HT coil	2	
10	AP8152278	Screw w/ flange M6x16	2	
11	851630	Relay-starter motor cable	1	
12	AP8150026	Nut M6	2	
13	AP8150429	Spring washer 6,4x11x0,5*	2	
14	581061	Cap	2	
15	AP8120416	Black hose 178x4	10	
16	AP8104606	Hose clamp	2	
17	893076	Main wiring harness	1	Technical Specifications: Standard Version[std]
17	893733	Main wiring harness	1	Technical Specifications: ABS Shiver version[ABS]
18	858130	Resistor Module	1	

Group	FRAME
Code	28.33
Description	Electrical system II
Service	1



Pos.	Code	Description	Qty	Variants
1	640267	ECU	1	
2	AP8152329	Phillips screw, SWP M5x20	4	
3	583158	Battery (Yuasa) 12V-10Ah	1	
4	851632	Earth cable	1	
5	AP8124869	Injection relay	1	
6	AP8220546	Relay rubber	1	
7	584509	Fall sensor	1	
8	AP8144046	Rubber sensor support	1	
9	854830	Horn	1	
10	AP8152280	Screw w/ flange M6x25	1	
11	496404	Fuse 30A	2	
12	292507	Fuse 10A	3	
13	AP8127345	Fuse 15A	3	
14	AP8176100	Fuse	2	
15	AP8127346	Fuse 3A	1	
16	AP8152277	Screw w/ flange M6x12	2	
17	AP8150429	Spring washer 6,4x11x0,5*	2	
18	AP8102386	Hose clamp 155x2	3	
19	AP8120422	Black hose 98x2*	2	
20	851633	Main wiring harness	1	

Group	FRAME
Code	28.34
Description	Lock hardware kit
Service	1



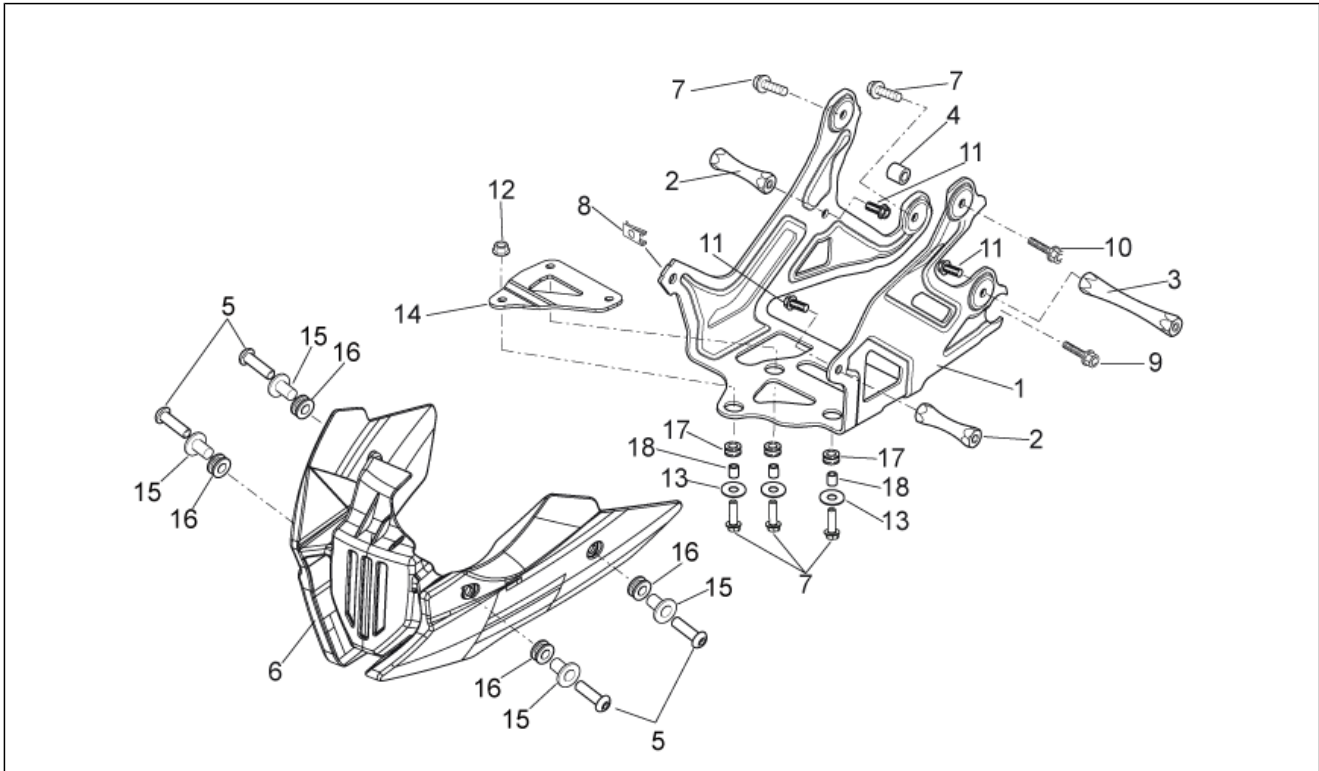
Pos.	Code	Description	Qty	Variants
1	890880	Lock kit	1	
2	AP8104710	Fuel filler cap	1	
3	860127	Main switch - steering lock	1	
4	AP8104919	Saddle lock	1	
5	AP8102913	Pass.saddle connecting plate	1	
6	851680	Lock cable	1	
7	AP8150351	Shear rivet M8x40	1	
8	AP8150171	Hex socket screw M8x40	1	
9	AP8121773	Spacer *	2	
10	AP8152280	Screw w/ flange M6x25	2	
11	AP8152299	Self-locking nut M6	2	
12	AP8150454	Hex socket screw M5x16	4	
13	AP8150453	Hex socket screw M5x30	3	
14	AP8152298	Screw w/ flange M5x16	2	
15	AP8102375	Clip m5	2	
16	AP8104920	"Aprilia" key with transpo.	1	
17	893748	Front box lock	1	

Group	FRAME
Code	28.35
Description	Plate set-decal-op.handbooks
Service	1



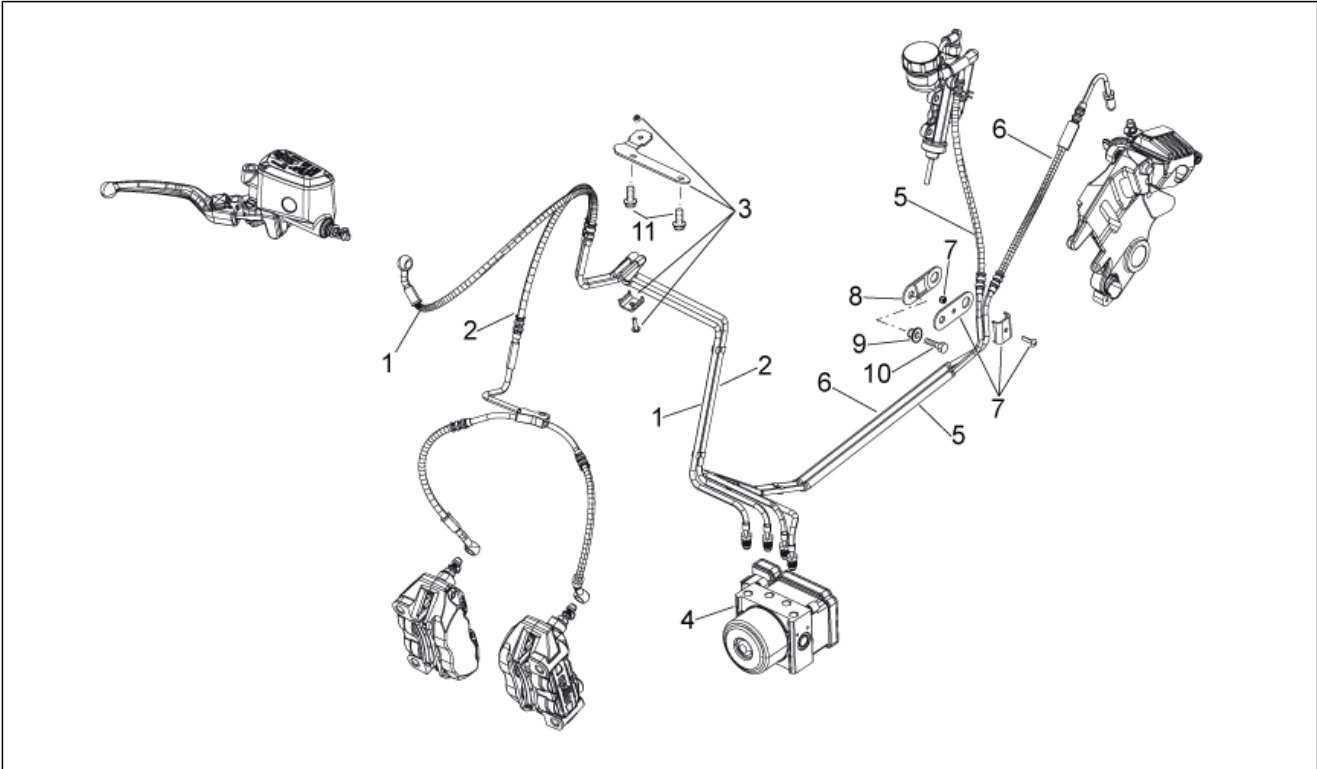
Pos.	Code	Description	Qty	Variants
1	893093	Air duct, decal aprilia	2	
2	854904	Rear fairing decal Shiver 750	2	
3	856097	Front mudguard decal aprilia	1	Vehicle colour: Competition black (s.t.893615)[blk], Damasco red (s.t.893615)[dam]
3	893708	Front mudguard decal aprilia	1	Vehicle colour: Silver Crowd (s.t.893615)[cro]
4	860770	Decal "World Champ 31"	1	
5	852029	Decal "AGIP"	2	
6	851678	Toolkit	1	
7	854027	Operator's handbook I-D-F-E	1	Country: Australia[AA], Other country Europe[EU], Japan[J]
7	854028	Operator's handbook UK-NL-GR-DK-SF-F	1	Country: Australia[AA], Other country Europe[EU], Japan[J]
7	854040	Operator's handbook J-UK	1	Country: Japan[J]
7	858573	Operator's handbook	1	Country: United States of America[USA]
8	893102	Front mudguard decal ABS	2	Technical Specifications: ABS Shiver version[ABS]
9	893698	Name plate GT	2	

Group	FRAME
Code	28.54
Description	Holder
Service	1



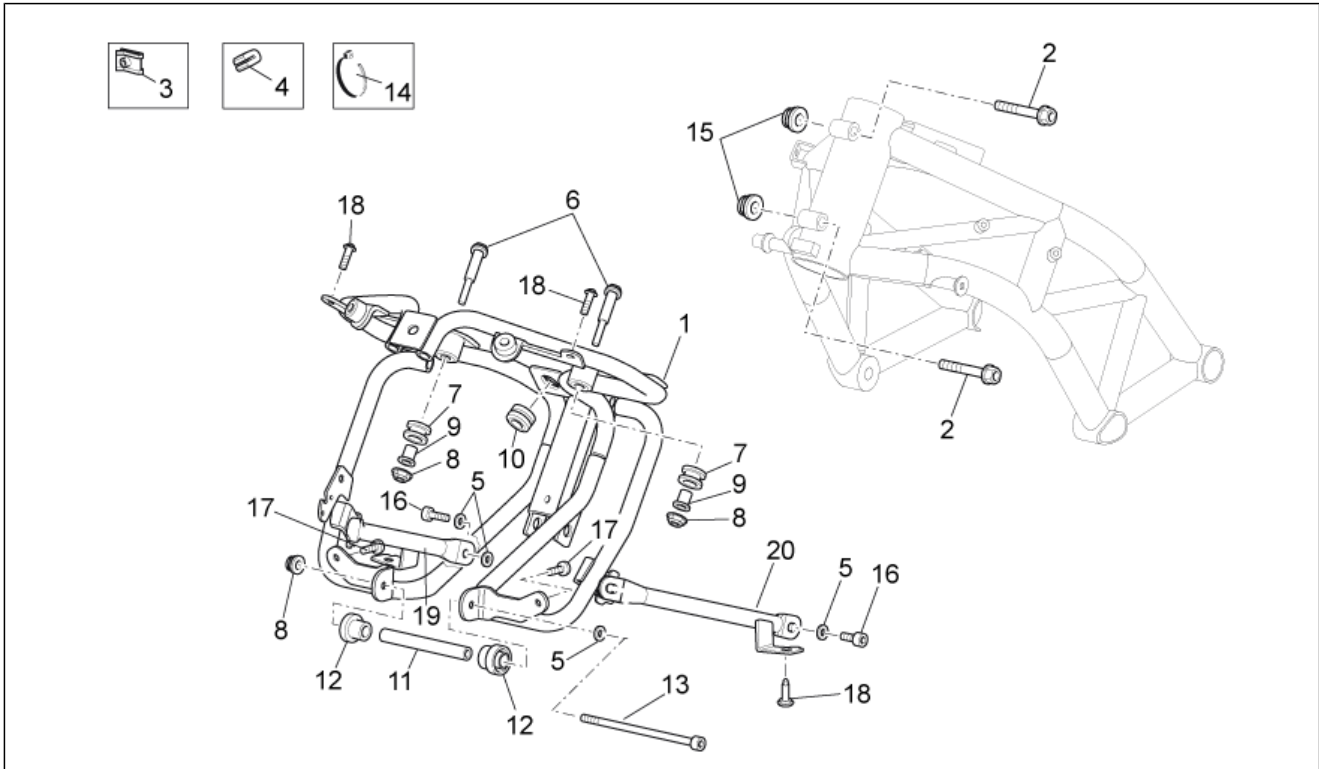
Pos.	Code	Description	Qty	Variants
1	860612	Holder	1	Technical Specifications: ABS Shiver version[ABS]
2	860628	Spacer	2	Technical Specifications: ABS Shiver version[ABS]
3	860629	Spacer	1	Technical Specifications: ABS Shiver version[ABS]
4	860667	Spacer	1	Technical Specifications: ABS Shiver version[ABS]
5	AP8224470	Hex socket screw M6x20	4	Technical Specifications: ABS Shiver version[ABS]
6	859793	Pillar	1	Technical Specifications: ABS Shiver version[ABS]
7	AP8152280	Screw w/ flange M6x25	5	Technical Specifications: ABS Shiver version[ABS]
8	254485	Spring plate M6	1	Technical Specifications: ABS Shiver version[ABS]
9	AP8152279	Screw w/ flange M6x20	1	Technical Specifications: ABS Shiver version[ABS]
10	AP8152282	Screw w/ flange M6x35	1	Technical Specifications: ABS Shiver version[ABS]
11	AP8152277	Screw w/ flange M6x12	3	Technical Specifications: ABS Shiver version[ABS]
12	AP8152299	Self-locking nut M6	1	Technical Specifications: ABS Shiver version[ABS]
13	AP8150015	Washer 6,6x18x1,6*	3	Technical Specifications: ABS Shiver version[ABS]
14	859789	Plate	1	Technical Specifications: ABS Shiver version[ABS]
15	AP8121795	T bush	4	Technical Specifications: ABS Shiver version[ABS]
16	AP8112600	Rubber spacer	4	Technical Specifications: ABS Shiver version[ABS]
17	AP8120030	Rubber spacer	3	Technical Specifications: ABS Shiver version[ABS]
18	AP8221007	Spacer 6,5X10X11*	3	Technical Specifications: ABS Shiver version[ABS]

Group	FRAME
Code	28.55
Description	ABS Brake system
Service	1



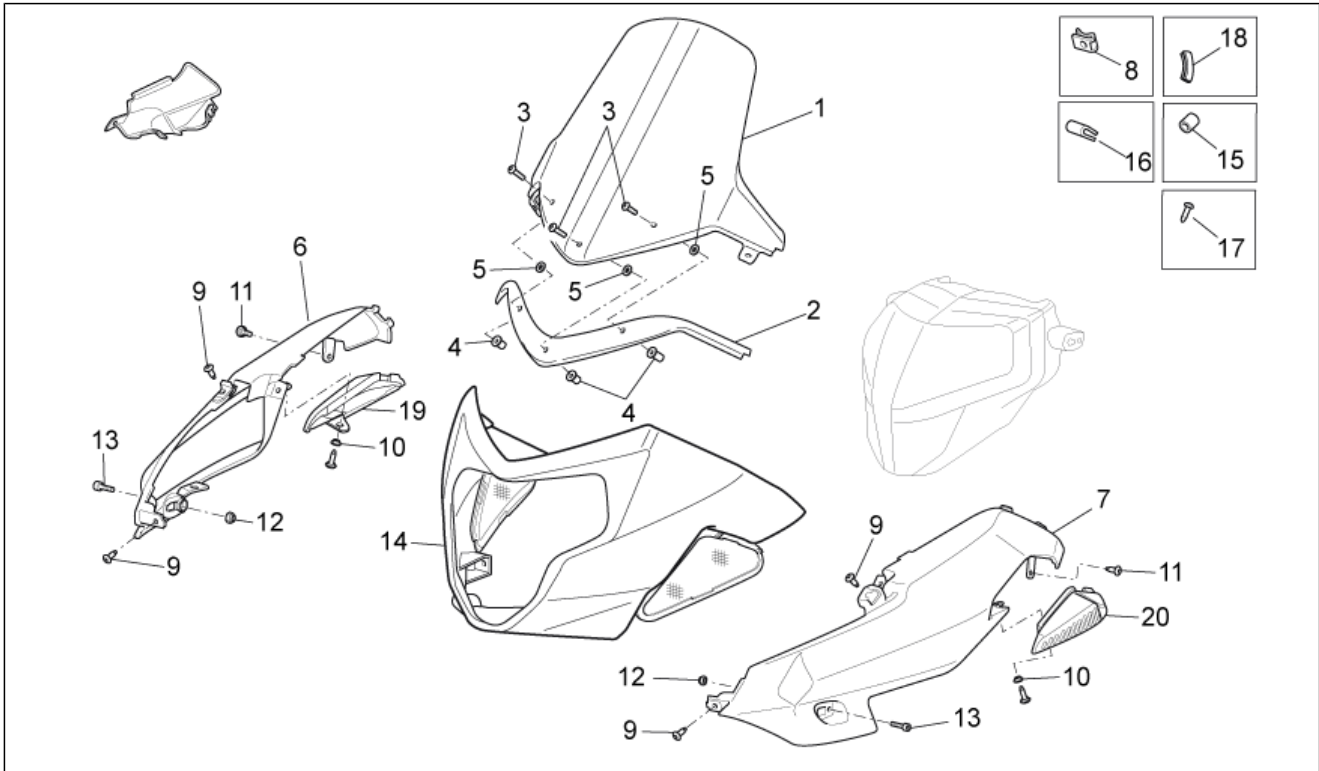
Pos.	Code	Description	Qty	Variants
1	893736	Front brake hose	1	Technical Specifications:ABS Shiver version[ABS]
2	893737	Front brake hose	1	Technical Specifications:ABS Shiver version[ABS]
3	860482	Plate	1	Technical Specifications:ABS Shiver version[ABS]
4	890762	ECU ABS	1	Technical Specifications:ABS Shiver version[ABS]
5	859785	Rear brake hose	1	Technical Specifications:ABS Shiver version[ABS]
6	859786	Rear brake hose	1	Technical Specifications:ABS Shiver version[ABS]
7	860484	Plate	1	Technical Specifications:ABS Shiver version[ABS]
8	860485	Plate	1	Technical Specifications:ABS Shiver version[ABS]
9	AP8121716	T bush	1	Technical Specifications:ABS Shiver version[ABS]
10	AP8152287	Screw w/ flange M8x25	1	Technical Specifications:ABS Shiver version[ABS]
11	AP8152414	Screw w/ flange M10x55	2	Technical Specifications:ABS Shiver version[ABS]

Group	FRAME
Code	28.56
Description	Fairing support bow
Service	1



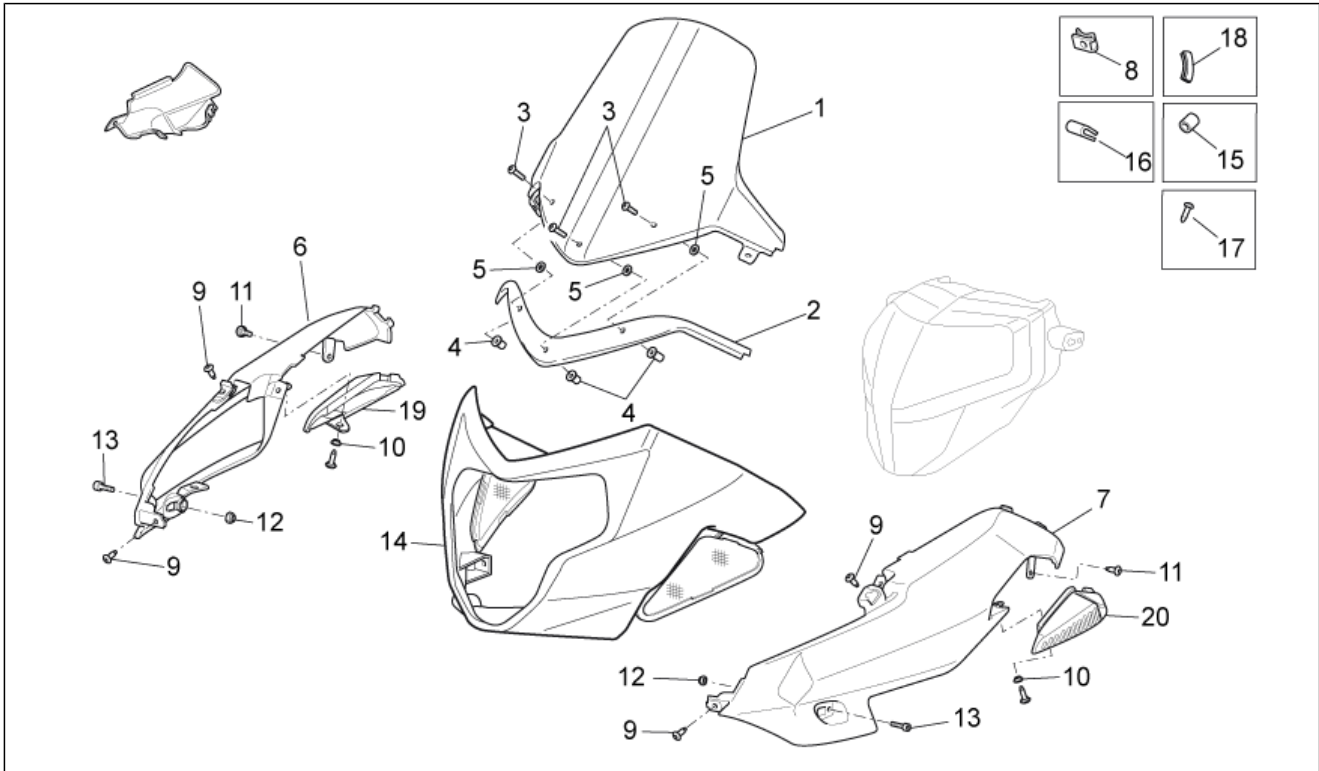
Pos.	Code	Description	Qty	Variants
1	893882	Front bow	1	
2	AP8152299	Self-locking nut M6	2	
3	AP8102375	Clip m5	4	
4	AP8120937	Rubber water cooler supp.	1	
5	AP8150014	Washer 6,4x12,5*	2	
6	AP8152283	Screw w/ flange	2	
7	AP8220370	Filter housing rubber	2	
8	AP8152299	Self-locking nut M6	5	
9	AP8121790	T bush *	2	
10	AP8120030	Rubber spacer	1	
11	AP8134419	Fuel tank bush	1	
12	AP8220192	Rubber spacer *	2	
13	478171	Hex socket screw M6x100	1	
14	AP8120422	Black hose 98x2*	1	
15	AP8152300	Self-locking nut M8	2	
16	AP8150137	Hex socket screw	1	
17	AP8152298	Screw w/ flange M5x16	2	
18	AP8152302	Screw w/ flange M5x12	4	
19	893883	Side arm	1	
20	893884	Side arm	1	

Group	FRAME
Code	28.57
Description	Front body - Front fairing
Service	1



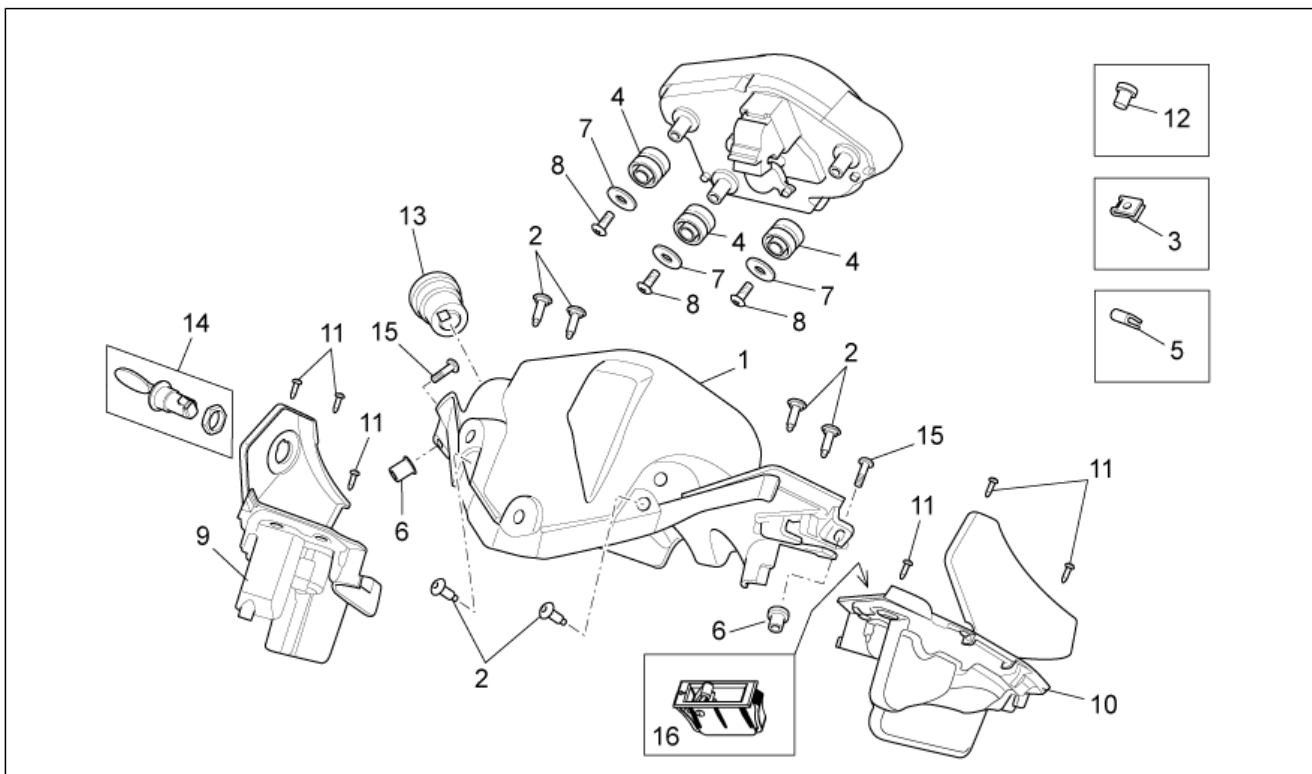
Pos.	Code	Description	Qty	Variants
1	890809	Windshield	1	Technical Specifications: Without decals applied[ND]
2	893731	Windshield decal	1	
3	AP8152269	Hex socket screw	5	
4	AP8120531	Rubber w/ insert	2	
5	AP8120591	Washer 10x5,3x1*	3	
6	89082000XE4	RH air duct, grey	1	Vehicle colour: Silver Crowd (s.t.893615)[cro] Technical Specifications: Without decals applied[ND]
6	89082000XN7	RH air duct, black	1	Vehicle colour: Competition black (s.t.893615)[blk] Technical Specifications: Without decals applied[ND]
6	89082000XR5	RH air duct, red	1	Vehicle colour: Damasco red (s.t.893615)[dam] Technical Specifications: Without decals applied[ND]
7	89082100XE4	LH air duct, grey	1	Vehicle colour: Silver Crowd (s.t.893615)[cro] Technical Specifications: Without decals applied[ND]
7	89082100XN7	LH air duct, black	1	Vehicle colour: Competition black (s.t.893615)[blk] Technical Specifications: Without decals applied[ND]
7	89082100XR5	LH air duct, red	1	Vehicle colour: Damasco red (s.t.893615)[dam] Technical Specifications: Without decals applied[ND]
8	AP8102375	Clip m5	10	
9	AP8152302	Screw w/ flange M5x12	10	
10	AP8121032	Bush	2	
11	AP8152339	Screw w/ flange M5x9	2	
12	AP8150430	Low self-locking nut	2	
13	AP8150137	Hex socket screw	2	
14	89081000XE4	Front fairing, grey	1	Vehicle colour: Silver Crowd (s.t.893615)[cro]
14	89081000XN7	Front fairing, black	1	Vehicle colour: Competition black (s.t.893615)[blk]
14	89081000XR5	Front fairing, red	1	Vehicle colour: Damasco red (s.t.893615)[dam]
15	AP8120712	Rubber spacer	2	
16	AP8202449	Clip	4	
17	AP8150362	Self-tapping screw *	4	

Group	FRAME
Code	28.57
Description	Front body - Front fairing
Service	1



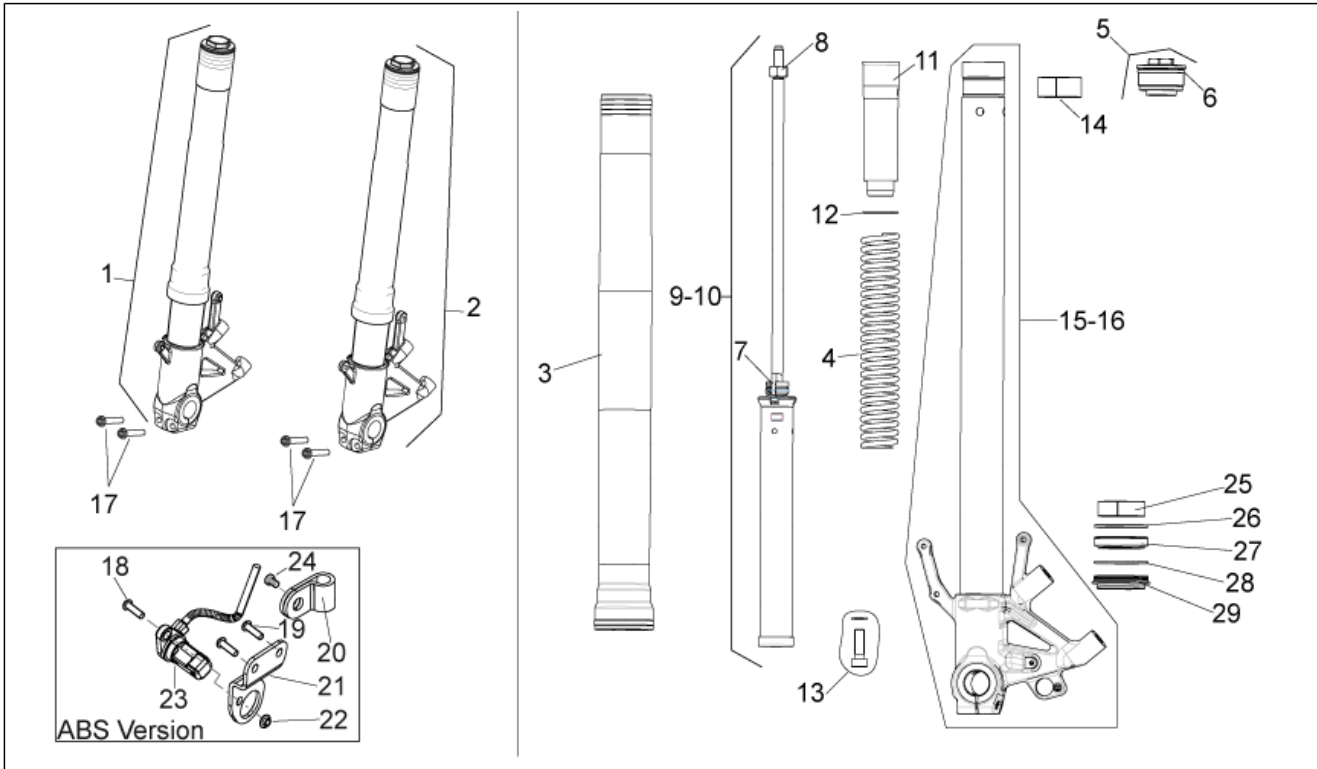
Pos.	Code	Description	Qty	Variants
18	AP8144707	Gasket	1	
19	890822	RH bumper	1	
20	890823	LH bumper	1	

Group	FRAME
Code	28.58
Description	Front body - inside fairing
Service	1



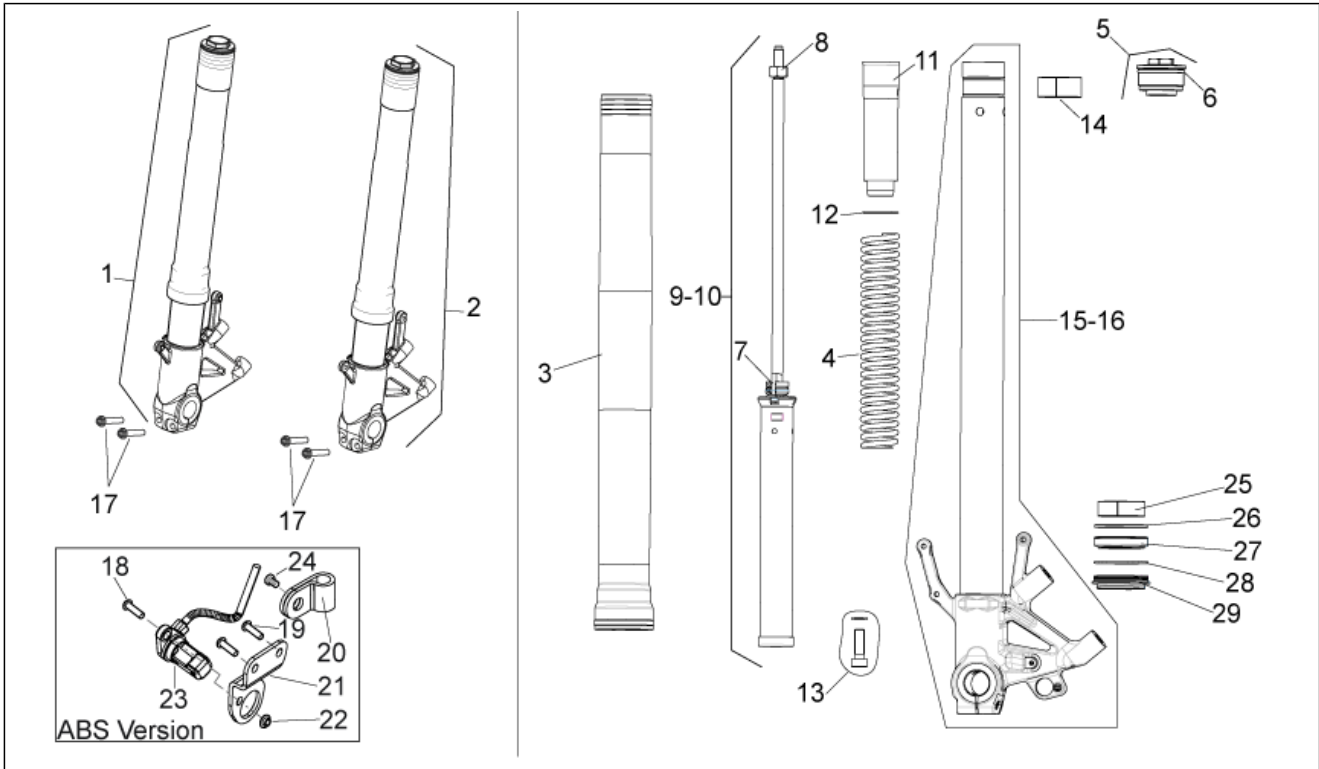
Pos.	Code	Description	Qty	Variants
1	890814	Socket support	1	
2	AP8152302	Screw w/ flange M5x12	8	
3	AP8102375	Clip m5	2	
4	AP8144662	Rubber spacer	3	
5	AP8202449	Clip	2	
6	AP8120531	Rubber w/ insert	3	
7	AP8150255	Washer 5x20x1,5	3	
8	AP8150509	Self-tap screw 5x14	3	
9	893593	RH F.Dashb.panel, black	1	
10	893594	LH F.Dashb.panel, black	1	
11	AP8150362	Self-tapping screw *	2	
12	AP8220488	Mushroom rubber	4	
13	AP8124768	Socket	1	
14	893748	Front box lock	1	
15	AP8152269	Hex socket screw	2	
16	655858	Cover support	1	

Group	FRAME
Code	28.59
Description	Fork II
Service	1



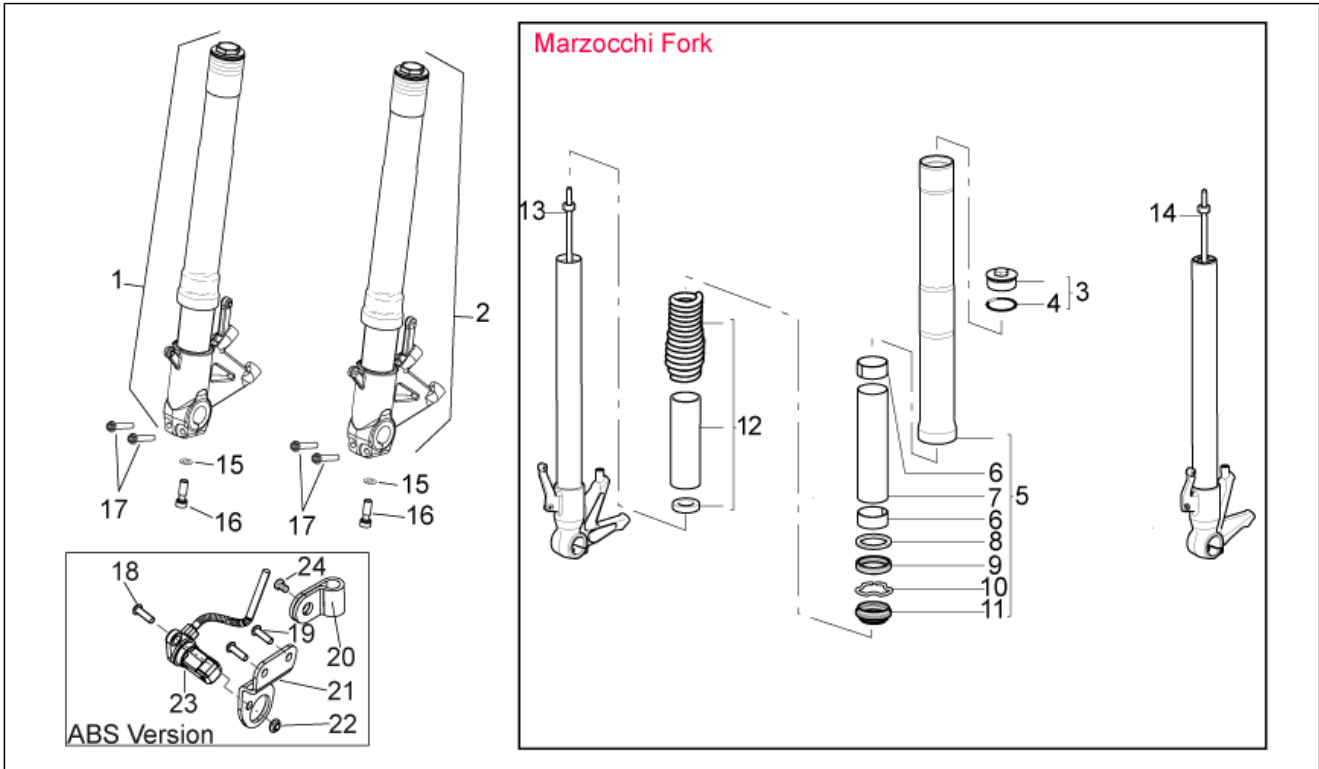
Pos.	Code	Description	Qty	Variants
1	898070	RH hub cpl.	1	Technical Specifications:Sachs[S2]
2	898071	LH hub cpl.	1	Technical Specifications:Sachs[S2]
3	898513	Sleeve	2	Technical Specifications:Sachs[S2]
4	898514	Spring	2	Technical Specifications:Sachs[S2]
5	898515	Sleeve plug cpl.	2	Technical Specifications:Sachs[S2]
6	897335	O-ring	2	Technical Specifications:Sachs[S2]
7	898522	Circlip DX	2	Technical Specifications:Sachs[S2]
8	898516	Nut	2	Technical Specifications:Sachs[S2]
9	898518	LH plunger, complete	1	Technical Specifications:Sachs[S2]
10	898519	RH plunger, complete	1	Technical Specifications:Sachs[S2]
11	898517	Preload tube	1	Technical Specifications:Sachs[S2]
12	897336	Washer	2	Technical Specifications:Sachs[S2]
13	898794	Adjuster rod	2	Technical Specifications:Sachs[S2]
14	897341	Spring guide bush	2	Technical Specifications:Sachs[S2]
15	898520	Hub+LH fork leg	1	Technical Specifications:Sachs[S2]
16	898521	Hub+RH fork leg	1	Technical Specifications:Sachs[S2]
17	AP8152290	Screw w/ flange M8x40	4	Technical Specifications:Sachs[S2]
18	AP8152273	Screw w/ flange M5X15	1	Technical Specifications:ABS Shiver version[ABS], Sachs[S2]
19	AP8150298	Hex socket screw	2	Technical Specifications:ABS Shiver version[ABS], Sachs[S2]
20	859777	Fairlead	1	Technical Specifications:ABS Shiver version[ABS], Sachs[S2]
21	856557	Front plate	1	Technical Specifications:ABS Shiver version[ABS], Sachs[S2]
22	AP8152306	Self-locking nut m5	1	Technical Specifications:ABS Shiver version[ABS], Sachs[S2]
23	859792	Sensor ABS	1	Technical Specifications:ABS Shiver version[ABS], Sachs[S2]
24	AP8201749	Screw M4x6	1	Technical Specifications:ABS Shiver version[ABS], Sachs[S2]
25	897342	Bush	2	Technical Specifications:Sachs[S2]
26	897343	Special washer	2	Technical Specifications:Sachs[S2]
27	897344	Oil seal	2	Technical Specifications:Sachs[S2]
28	897339	Circlip	2	Technical Specifications:Sachs[S2]

Group	FRAME
Code	28.59
Description	Fork II
Service	1



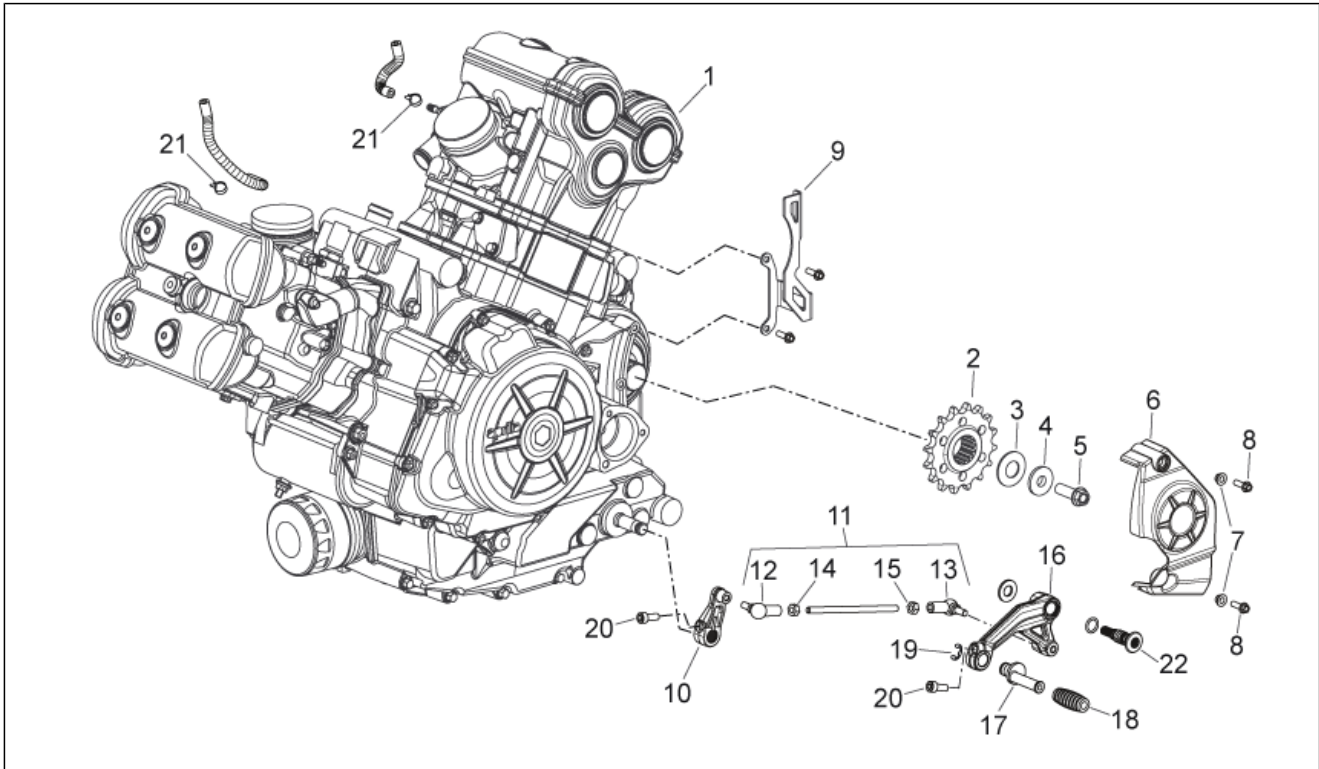
Pos.	Code	Description	Qty	Variants
29	897337	Dust cover	2	Technical Specifications:Sachs[S2]

Group	FRAME
Code	28.60
Description	Front fork III
Service	1



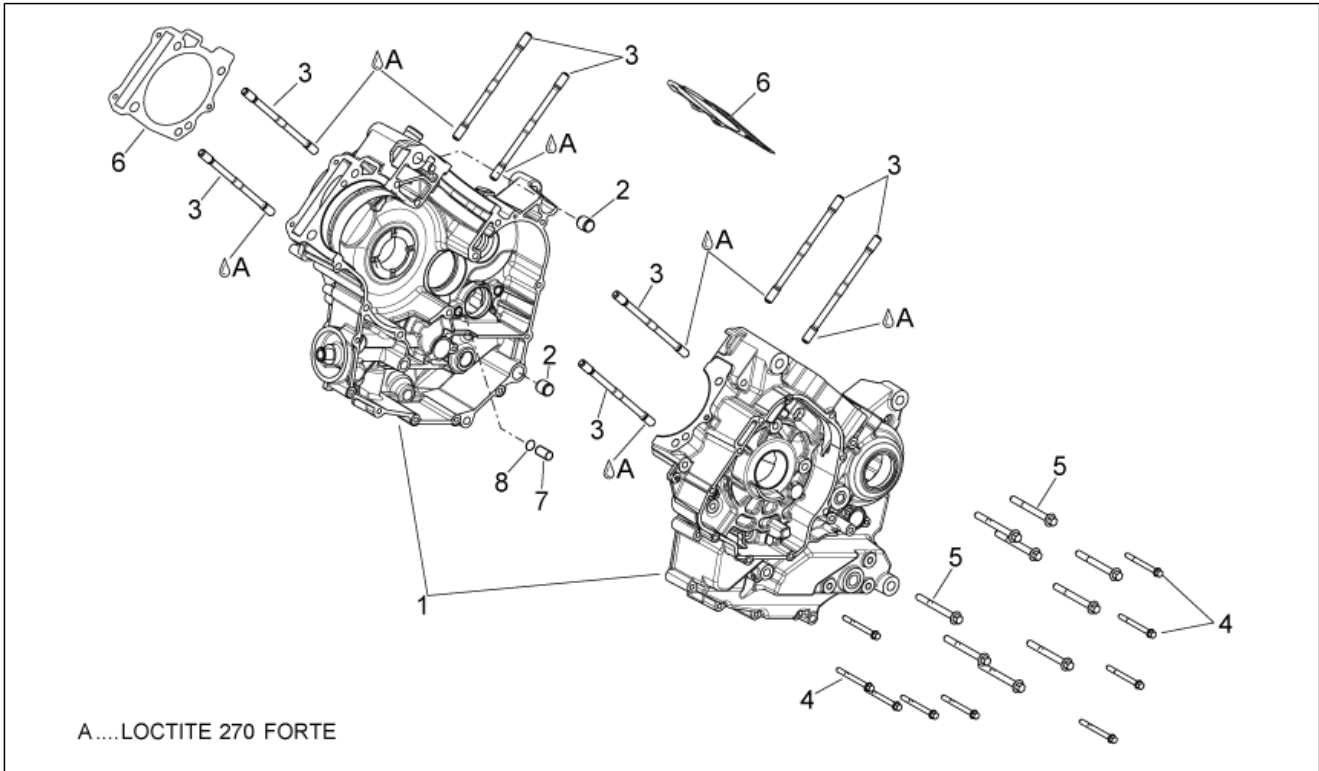
Pos.	Code	Description	Qty	Variants
1	897528	RH hub cpl.	1	
2	897529	LH hub cpl.	1	
3	897984	Sleeve plug cpl.	2	
4	897985	O-ring	2	
5	897986	Sleeve D43	2	
6	897987	Bush	4	
7	897988	pipe	2	
8	897989	Ring	2	
9	AP8163133	Oil seal	2	
10	AP8163134	Circlip	2	
11	897990	Dust cover	2	
12	897991	Spring kit + preload tube	1	
13	897992	Hub+RH fork leg	1	
14	897993	Hub+LH fork leg	1	
15	856046	Special washer	2	
16	856047	screw M10x1,5	2	
17	AP8152290	Screw w/ flange M8x40	4	
18	AP8152273	Screw w/ flange M5X15	1	Technical Specifications:ABS Shiver version[ABS]
19	AP8150298	Hex socket screw	2	Technical Specifications:ABS Shiver version[ABS]
20	859777	Fairlead	1	Technical Specifications:ABS Shiver version[ABS]
21	856557	Front plate	1	Technical Specifications:ABS Shiver version[ABS]
22	AP8152306	Self-locking nut m5	1	Technical Specifications:ABS Shiver version[ABS]
23	859792	Sensor ABS	1	Technical Specifications:ABS Shiver version[ABS]
24	AP8201749	Screw M4x6	1	Technical Specifications:ABS Shiver version[ABS]

Group	ENGINE
Code	29.24
Description	Engine
Service	1



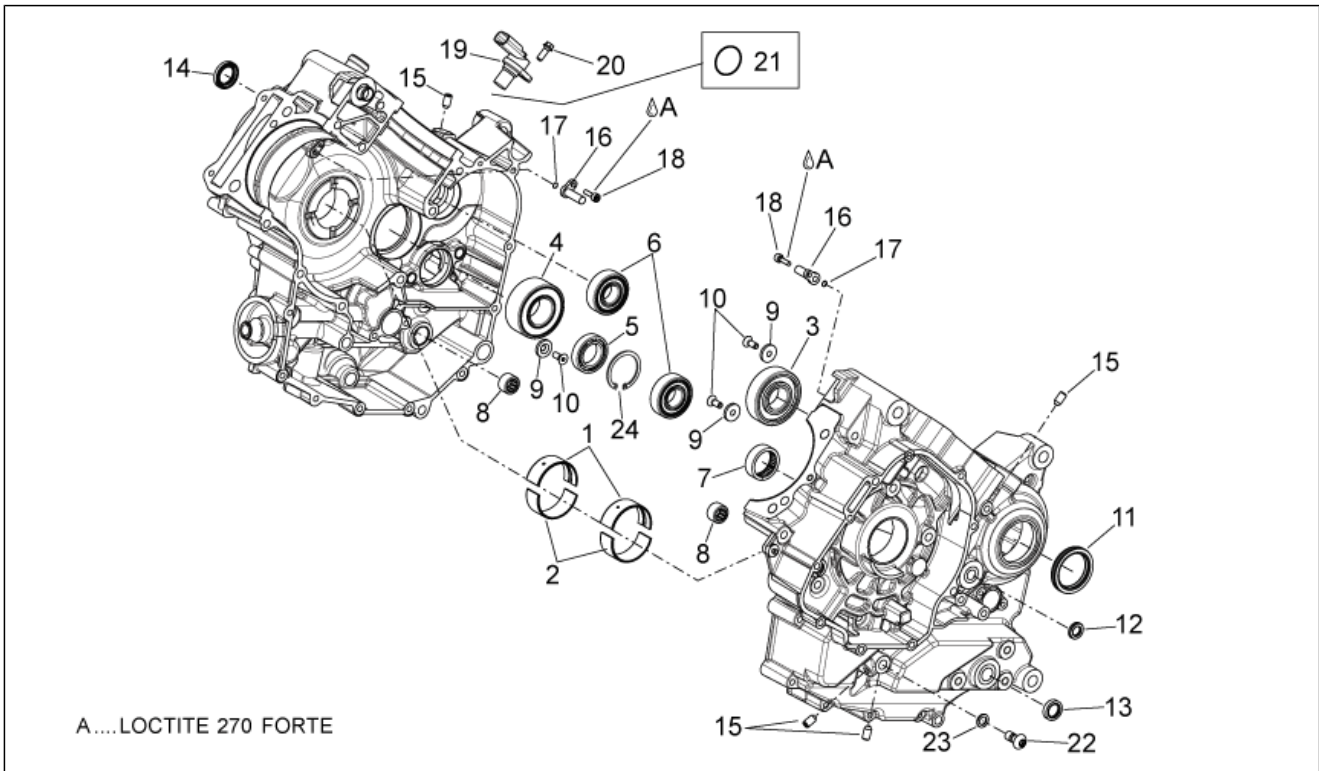
Pos.	Code	Description	Qty	Variants
1	CM1592035	Engine	1	Country:Australia[AA], Other country Europe[EU], Japan[J]
1	CM1592045	Engine	1	Country:United States of America[USA]
2	974556	Pinion Z=16	1	
3	854909	Belleville spring	1	
4	854951	T bush	1	
5	AP9100389	Screw w/ flange M10x1,25	1	
6	856069	Sprocket cover	1	
7	AP8152277	Screw w/ flange M6x12	2	
8	AP8121811	T bush	2	
9	856079	Plate	1	
10	852480	Gear lever	1	
11	852479	Gearbox linkage rod assy	1	
12	AP8210007	RH ball joint M6	1	
13	AP8110053	Left ball joint M6	1	
14	AP8152138	Nut	1	
15	AP8150026	Nut M6	1	
16	851566	Gear lever	1	
17	AP8121221	Brake lever pin	1	
18	AP8120912	Lever rubber	1	
19	AP8150462	Circlip d9	1	
20	AP8150137	Hex socket screw	2	
21	AP8201358	Hose clamp D 11,9	2	
22	AP8121223	Rear brake lever pin	1	

Group	ENGINE
Code	29.36
Description	Crankcases I
Service	1



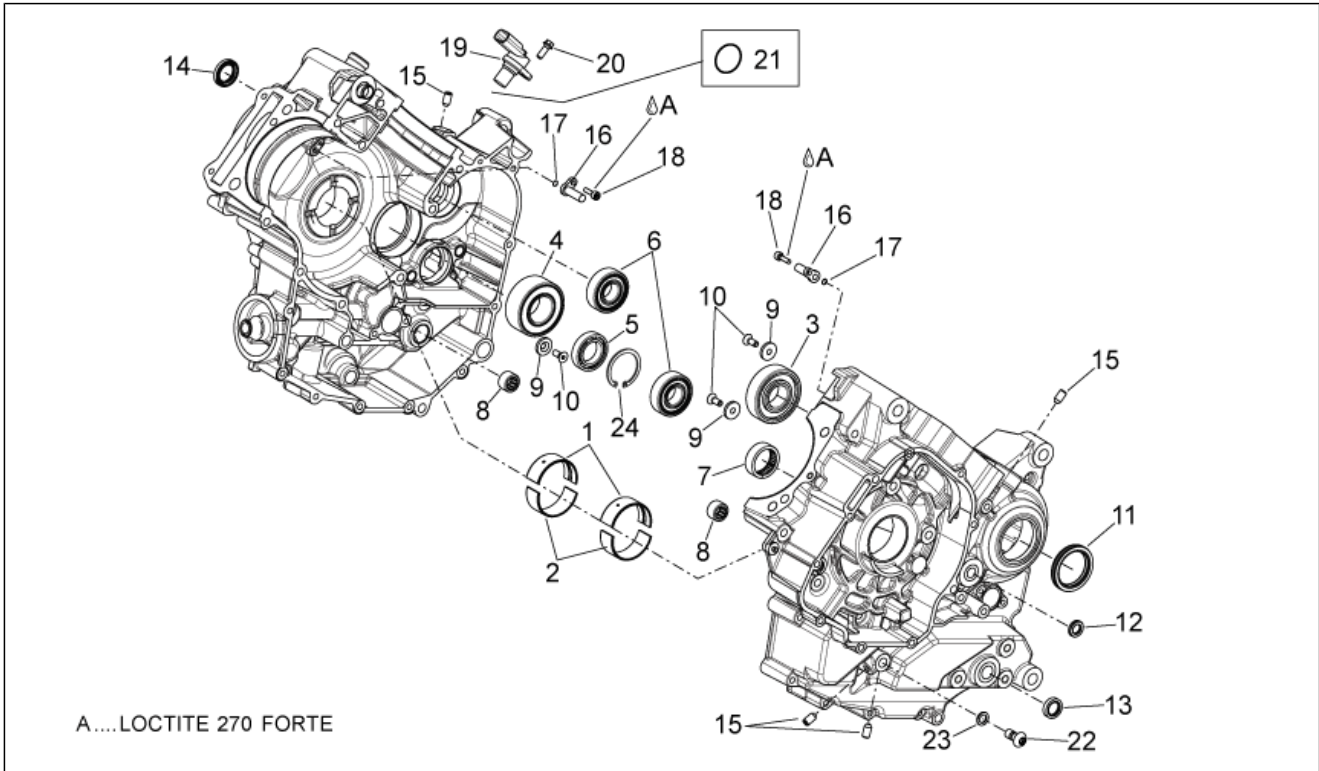
Pos.	Code	Description	Qty	Variants
1	8498725001	Central crank-case set cat1A	1	Technical Specifications: Up to engine number 10306[M3]
1	8498725002	Central crank-case set cat2A	1	Technical Specifications: Up to engine number 10306[M3]
1	8498725003	Central crank-case set cat1B	1	Technical Specifications: Up to engine number 10306[M3]
1	8498725004	Central crank-case set cat2B	1	Technical Specifications: Up to engine number 10306[M3]
1	8765105001	Central crank-case set cat1A	1	Technical Specifications: From engine n. 10307[M4]
1	8765105002	Central crank-case set cat2A	1	Technical Specifications: From engine n. 10307[M4]
1	8765105003	Central crank-case set cat1B	1	Technical Specifications: From engine n. 10307[M4]
1	8765105004	Central crank-case set cat2B	1	Technical Specifications: From engine n. 10307[M4]
2	974051	Locating dowel (D.15,8)	2	
3	827951	Stud bolt M10X1.25X166	8	
4	849911	Screw w/ flange	8	
5	848465	Screw w/ flange	9	
6	CM154101	Cylinder base gasket 0,4	1	
6	CM154102	Cylinder base gasket 0,6	1	
6	CM154104	Cylinder base gasket 0,5	1	
7	239388	Pin 6,5x9,5x15	1	
8	834317	Gasket ring OR	1	

Group	ENGINE
Code	29.37
Description	Crankcases II
Service	1



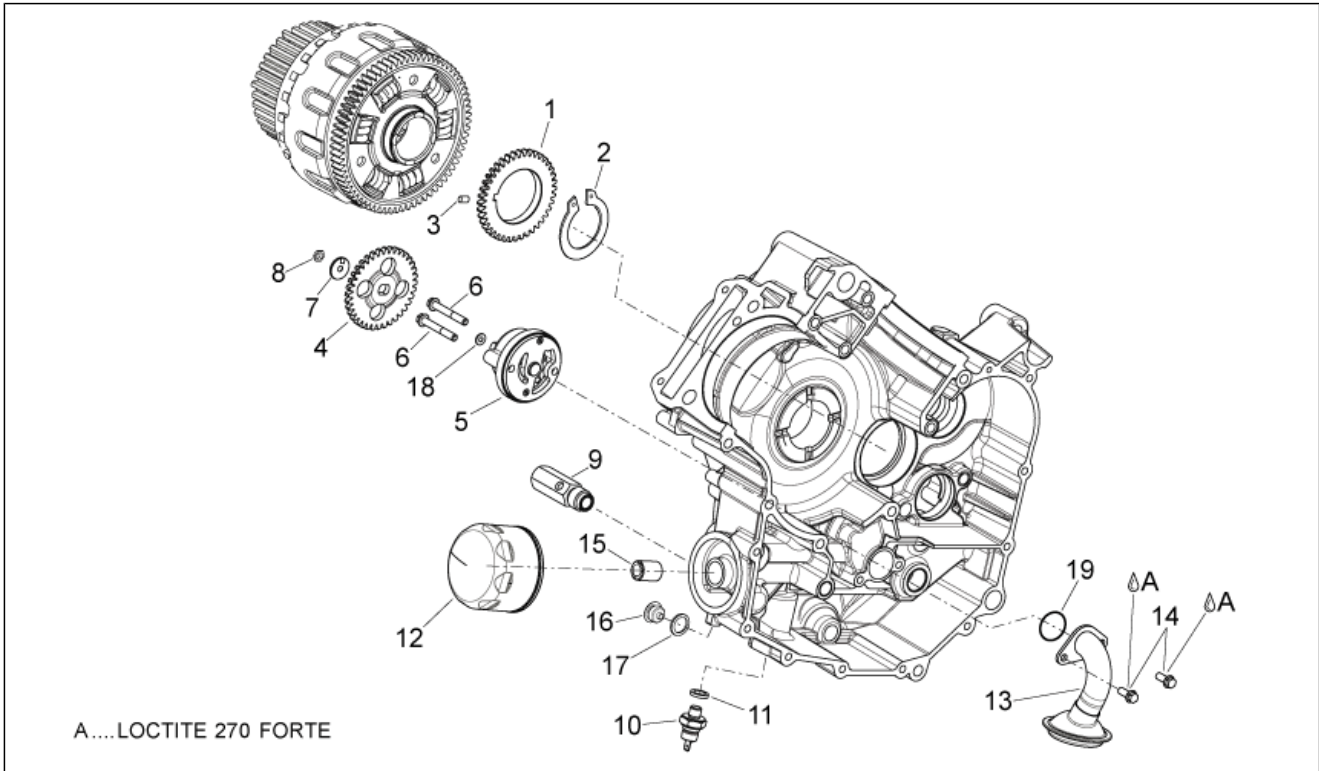
Pos.	Code	Description	Qty	Variants
1	9745050001	Bearing half-shell catA rosso	2	
1	9745050002	Bearing half-shell catB blu	2	
1	9745050003	Bearing half-shell catC giallo	2	
1	9745050004	Bearing half-shell catE verde	2	
2	9745060001	Bearing half-shell catA rosso	2	
2	9745060002	Bearing half-shell catB blu	2	
2	9745060003	Bearing half-shell catC giallo	2	
2	9745060004	Bearing half-shell catE verde	2	
3	848651	Ball bearing 25x62x17	1	
4	848475	Ball bearing 30x62x23,8	1	
5	872033	Ball bearing 25x42x9	1	
6	848650	Ball bearing 20x47x14	2	
7	974129	Cage à rouleaux 30x37x12	1	
8	122671	Cage à rouleaux	2	
9	873905	Washer	1	
9	873928	Washer	2	
10	AP9150394	Screw M6x12	3	
11	848474	Gasket ring	1	
12	825577	Gasket ring 8x16x7	1	
13	974112	Gasket ring 14x22x5	1	
14	82897R	Gasket ring 20x30x5	1	
15	430136	Plug	4	
16	847537	Oil sprayer pipe	2	
17	487073	Gasket ring	2	
18	292889	Hex socket screw M5x16	2	
19	832963	Phase/revolution sensor	1	
20	872432	Screw w/ flange	1	
21	478012	O-ring	1	

Group	ENGINE
Code	29.37
Description	Crankcases II
Service	1



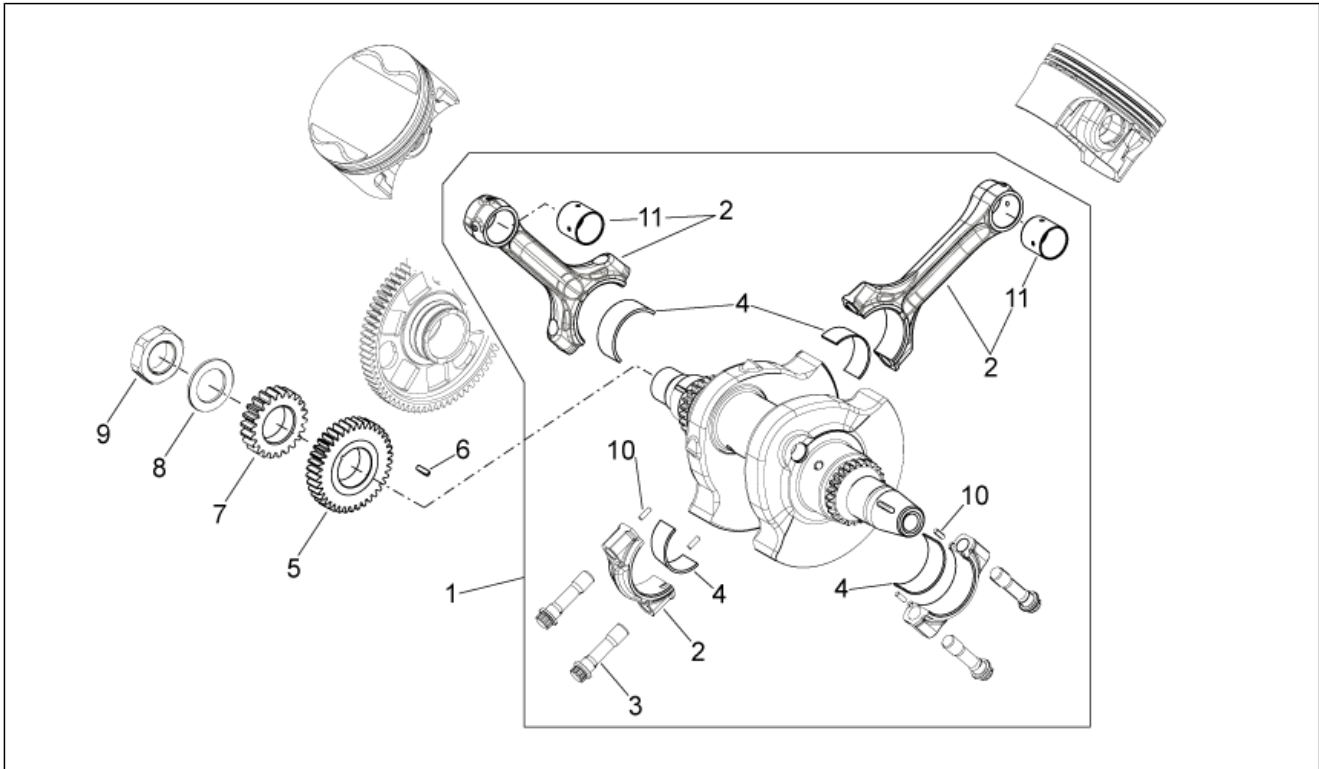
Pos.	Code	Description	Qty	Variants
22	849244	Special screw	1	
23	486075	Washer 10.5X16X2.5	1	
24	006642	Circlip	1	

Group	ENGINE
Code	29.38
Description	Oil pump
Service	1



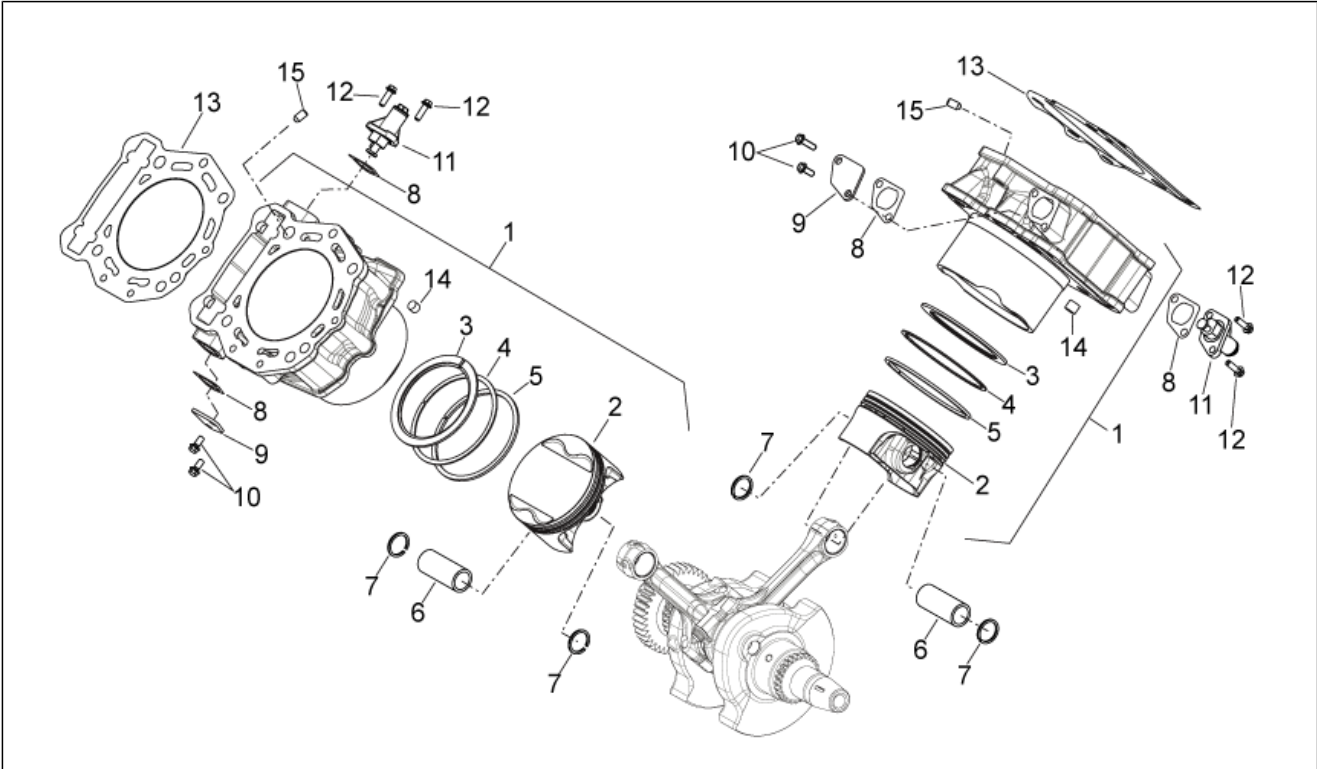
Pos.	Code	Description	Qty	Variants
1	974517	Oil pump gear	1	
2	006450	Snap ring	1	
3	974157	Roller	1	
4	873866	Oil pump gear	1	
5	873863	Oil pump assy.	1	
6	878871	Screw w/ flange	2	
7	873974	Safety washer	1	
8	873906	Low nut	1	
9	974282	Oil pressure valve	1	
10	82580R	Oil pressure sensor	1	
11	486075	Washer 10.5X16X2.5	1	
12	82960R	Oil filter	1	
13	873612	Intake oil filter	1	
14	872432	Screw w/ flange	2	
15	829122	Oil filter union	1	
16	875358	Oil unload plug	1	
17	287174	Copper gasket	1	
18	974290	Shim washer	1	
19	969323	O-ring	1	

Group	ENGINE
Code	29.39
Description	Drive shaft
Service	1



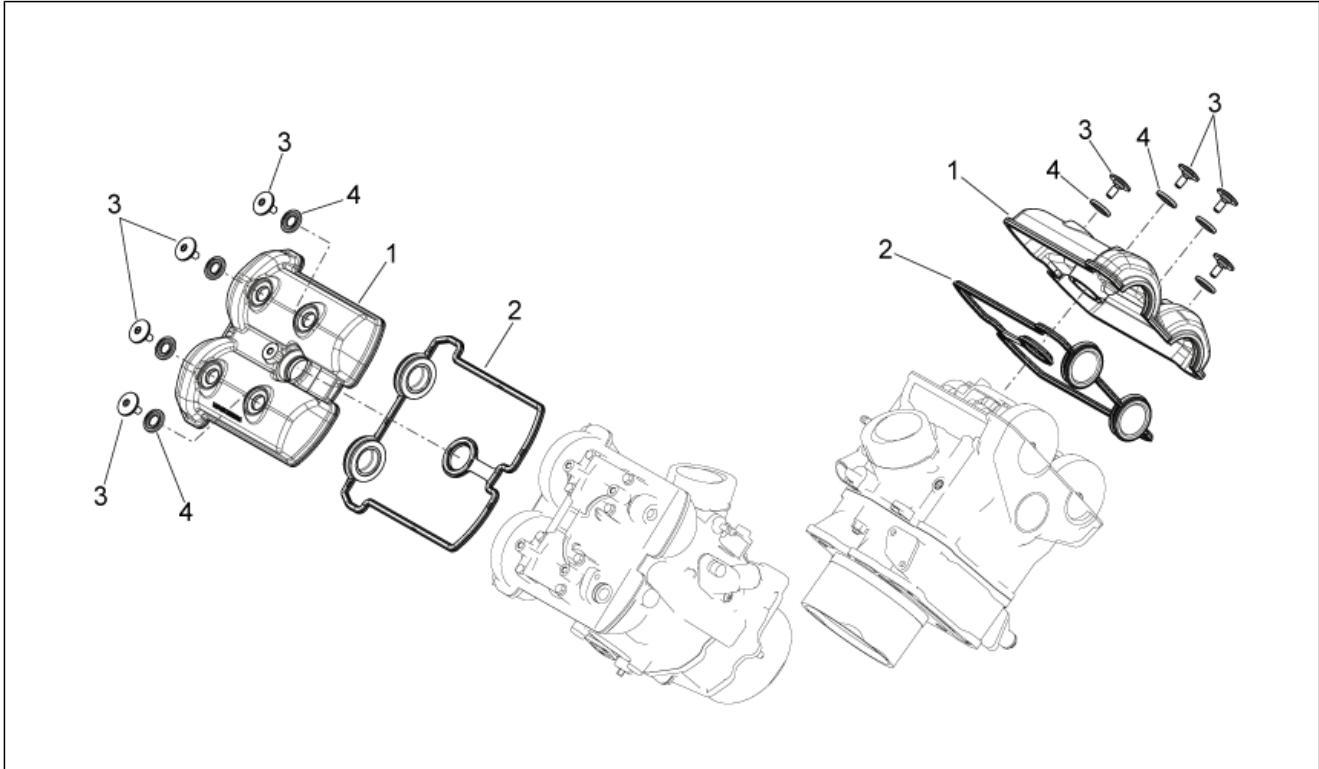
Pos.	Code	Description	Qty	Variants
1	8498735001	Crankshaft cpl.	1	
1	8498735002	Crankshaft cpl. cat2	1	
2	8491945001	Connecting rod cpl. catA nero	2	
2	8491945002	Connecting rod cpl. catB bianco	2	
3	849131	Connecting rod screw	2	
4	8751580001	Bushing half-shell, red catA	4	
4	8751580002	Bushing half-shell, blue catB	4	
4	8751580003	Bushing half-shell, yellow catC	4	
4	8751580004	Bushing half-shell, green catE	4	
5	CM159001	Primary drive gear catA	1	
5	CM159002	Primary drive gear catB	1	
6	000267	Transmission key	1	
7	849291	Water pump gear	1	Technical Specifications: "Pump ""C"" "[PC]
7	875819	Water pump gear	1	Technical Specifications: "Pump ""A""[PA], "Pump ""B""[PB]
8	847915	Flat washer	1	
9	849367	Nut	1	
10	847906	Roller	2	
11	847268	Bushing	1	

Group	ENGINE
Code	29.40
Description	Cylinder with piston
Service	1



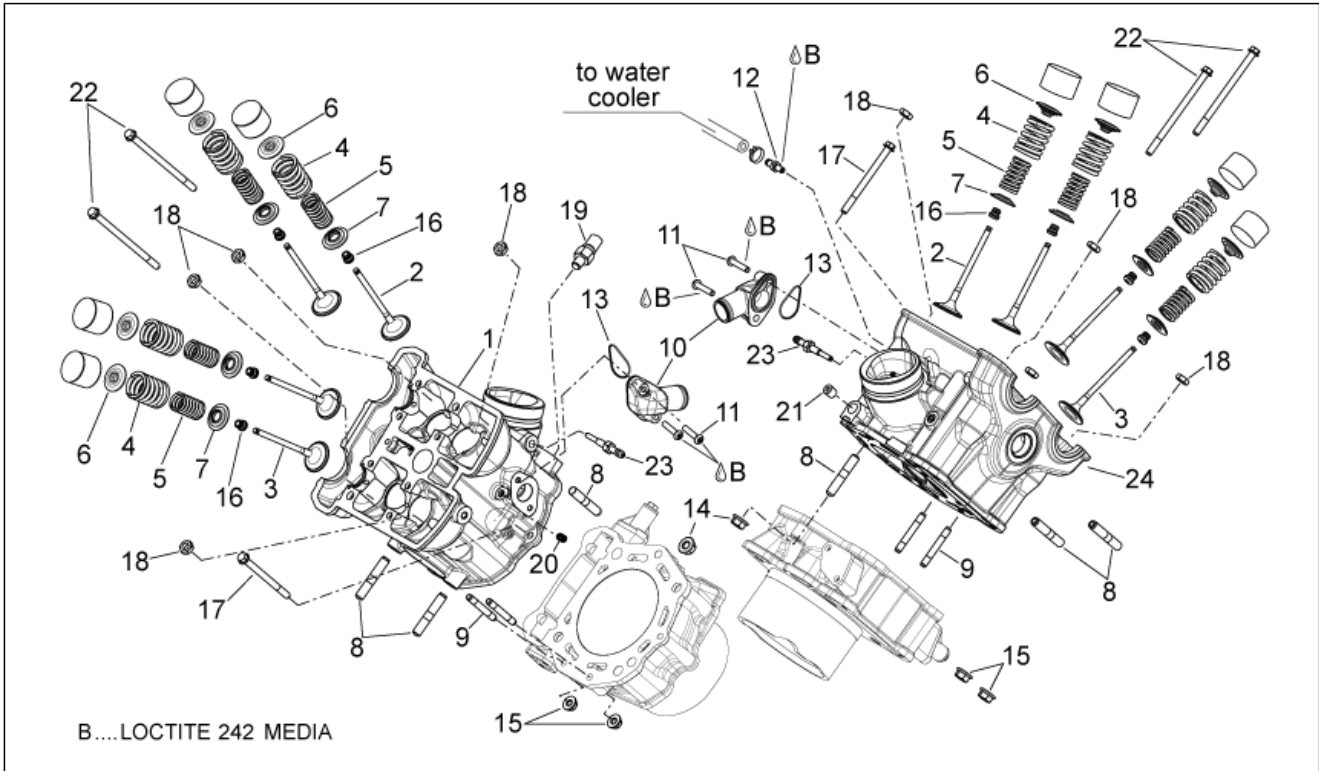
Pos.	Code	Description	Qty	Variants
1	848796	Cylinder - Piston	2	
2	8482860001	Piston catA 91,933-91,940	2	
2	8482860002	Piston catB 91,940-91,947	2	
2	8482860003	Piston catC 91,947-91,954	2	
2	8482860004	Piston catD 91,954-91,961	2	
3	872655	Ring	2	
4	872656	Oil scraper ring	2	
5	872657	Oil scraper ring	2	
6	848798	Piston pin	2	
7	828116	Stop ring	4	
8	847928	Gasket	4	
9	840135	Plate	2	
10	872425	Screw w/ flange	4	
11	82650R	Complete chain tensioner	2	
12	872432	Screw w/ flange	4	
13	871776	Cylinder head gasket	2	
14	825597	Pin 11,8X10	2	
15	874589	Calibrated dowel	1	

Group	ENGINE
Code	29.41
Description	Valves cover
Service	1



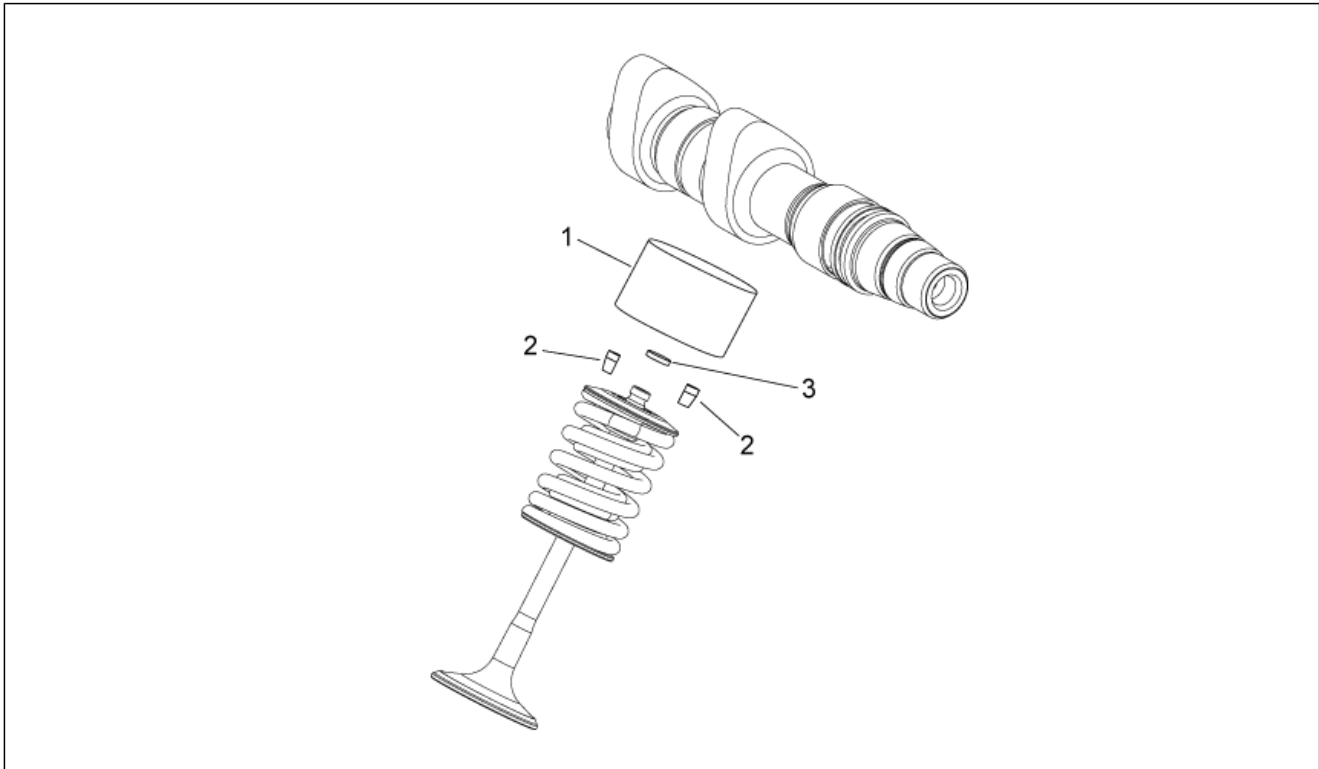
Pos.	Code	Description	Qty	Variants
1	873541	RH/LH head cover grey	2	
2	849558	Head cover gasket	2	
3	842291	Special screw	8	
4	830249	Damper drift	8	

Group	ENGINE
Code	29.42
Description	Cylinder head - valves
Service	1



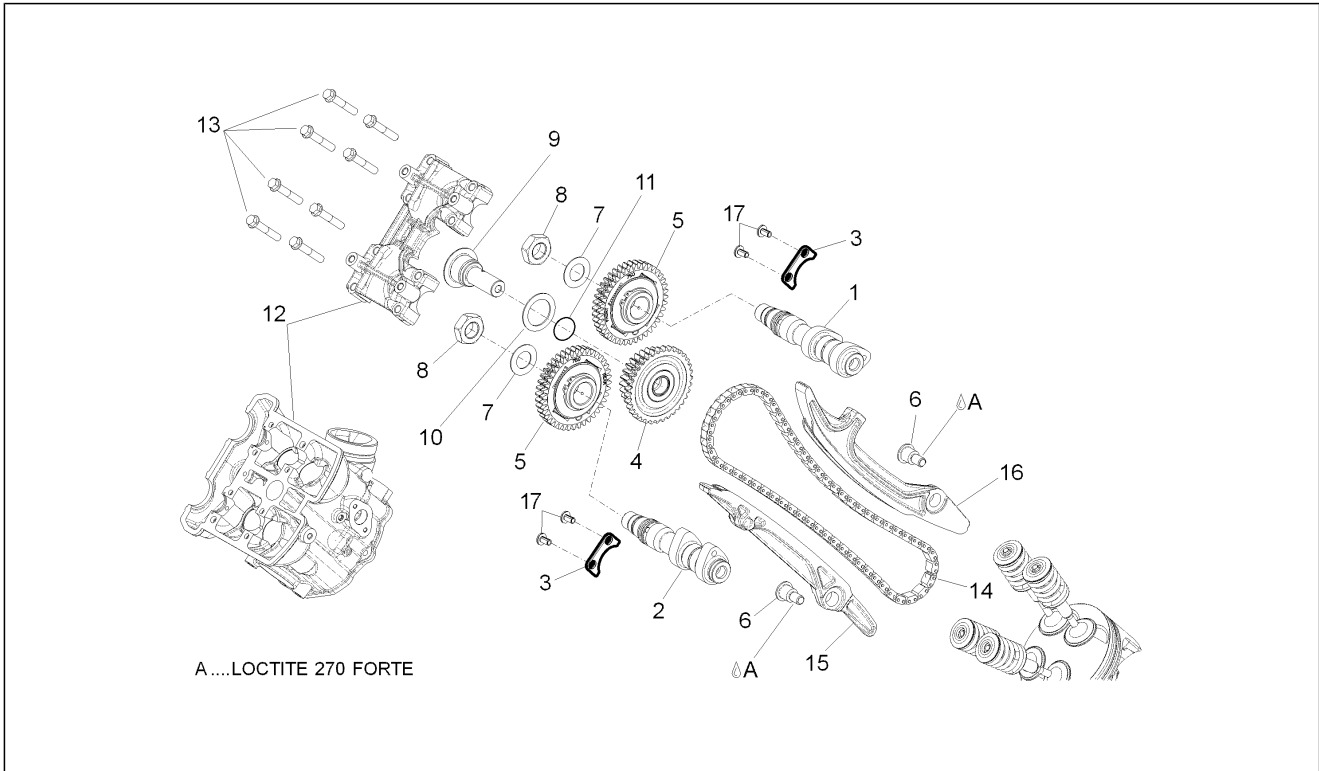
Pos.	Code	Description	Qty	Variants
1	849213	Cylinder head assy.	1	Country:Australia[AA], Other country Europe[EU], Japan[J]
1	875413	Cylinder head assy.	1	Country:United States of America[USA]
2	846923	Intake valve	4	
3	873459	Exhaust valve	4	
4	873005	Ext. valve spring	8	
5	873006	Int. valve spring	8	
6	847417	Upper cup	8	
7	846925	Lower cup	8	
8	827018	Exhaust pipe stud bolt M8X3X46	6	
9	872807	Stud bolt	4	
10	875361	Water hose union	2	
11	872423	Hex socket screw	4	
12	873396	Joint	1	
13	874425	Gasket OR	2	Technical Specifications:Old version[Old]
13	878705	Gasket	2	Technical Specifications:New version[New]
14	872434	Flanged nut	2	
15	872816	Flanged nut	4	
16	436438	Valve gasket ring	8	
17	872433	Screw w/ flange	2	
18	833520	Nut M10X1,25 6H	8	
19	640485	Temperature gauge	1	
20	842360	Plug M6x10	2	
21	411311	Plug	1	
22	872424	Screw w/ flange	4	
23	872948	Joint	2	
24	849213	Cylinder head assy.	1	Country:Australia[AA], Other country Europe[EU], Japan[J]
24	875413	Cylinder head assy.	1	Country:United States of America[USA]

Group	ENGINE
Code	29.43
Description	Valves pads
Service	1



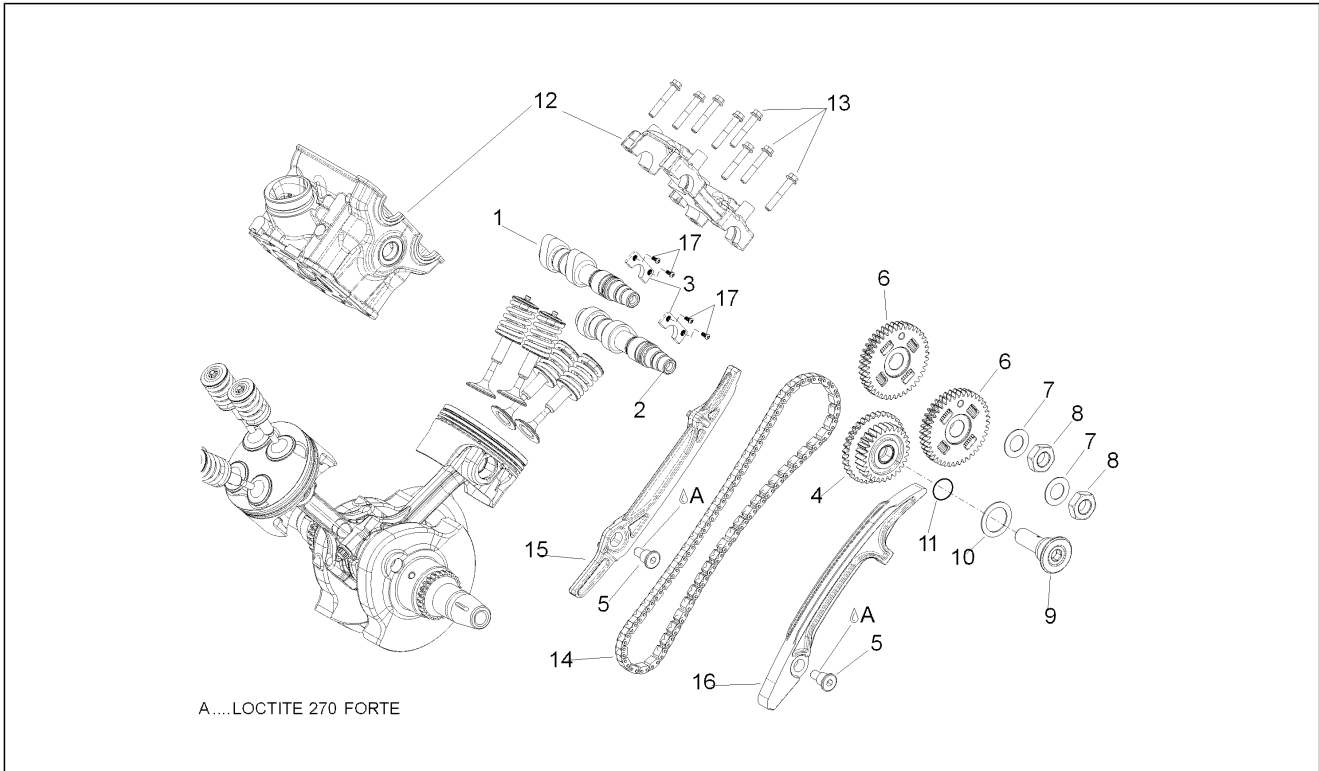
Pos.	Code	Description	Qty	Variants
1	873082	Tappet closing	8	
2	285846	Valve half-cone	16	
3	CM157201	Calibrated tablet 2.60	1	
3	CM157202	Calibrated tablet 2.65	1	
3	CM157203	Calibrated tablet 2.70	1	
3	CM157204	Calibrated tablet 2.75	1	
3	CM157205	Calibrated tablet 2.80	1	
3	CM157206	Calibrated tablet 2.85	1	
3	CM157207	Calibrated tablet 2.90	1	
3	CM157208	Calibrated tablet 2.95	1	
3	CM157209	Calibrated tablet 3.00	1	
3	CM157210	Calibrated tablet 3.05	1	
3	CM157211	Calibrated tablet 3.10	1	
3	CM157212	Calibrated tablet 3.15	1	
3	CM157213	Calibrated tablet 3.20	1	
3	CM157214	Calibrated tablet 3.25	1	
3	CM157215	Calibrated tablet 3.30	1	
3	CM157216	Calibrated tablet 3.35	1	
3	CM157217	Calibrated tablet 3.40	1	
3	CM157218	Calibrated tablet 2.55	1	
3	CM157219	Calibrated tablet 2.50	1	
3	CM157220	Calibrated tablet 2.45	1	
3	CM157221	Calibrated tablet 2.40	1	

Group	ENGINE
Code	29.44
Description	Front cylinder timing system
Service	1



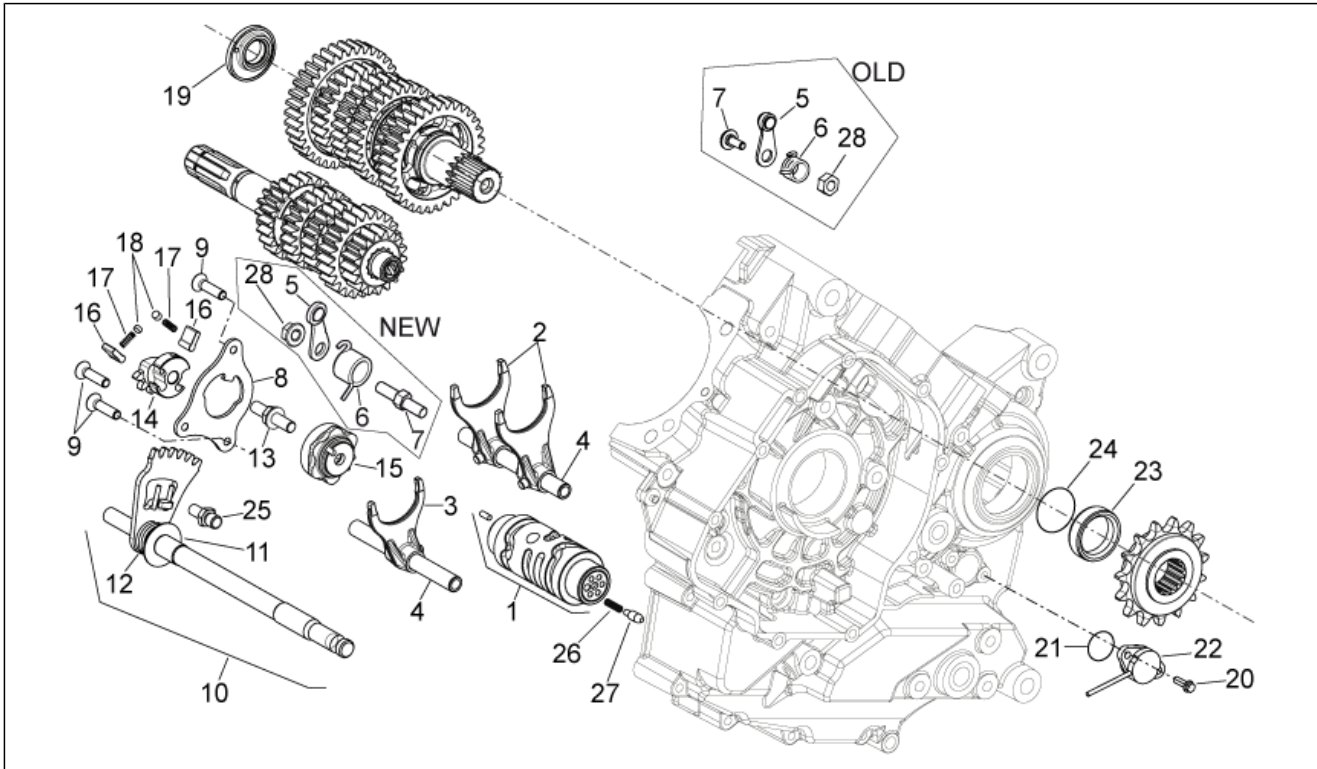
Pos.	Code	Description	Qty	Variants
1	873960	Front intake camshaft	1	
2	873961	Front exhaust camshaft	1	
3	874176	Axial lock plate	2	
4	874596	Timing system gear cpl.	1	
5	849909	Front timing system gear cpl.	2	
6	974228	Spacer screw	2	
7	849771	Thrust washer	2	
8	849719	Nut M15x1 DX	2	
9	874591	Special screw	1	
10	849817	Safety washer	1	
11	873233	Gasket ring	1	
12	849213	Cylinder head assy.	1	Country:Australia[AA], Other country Europe[EU], Japan[J]
12	875413	Cylinder head assy.	1	Country:United States of America[USA]
13	878439	Torx convex big end screw	8	
14	849827	Camshaft chain	1	
15	871798	Chain guide plate	1	
16	871748	Chain tensioner rod	1	
17	874185	Screw	4	

Group	ENGINE
Code	29.45
Description	Rear cylinder timing system
Service	1



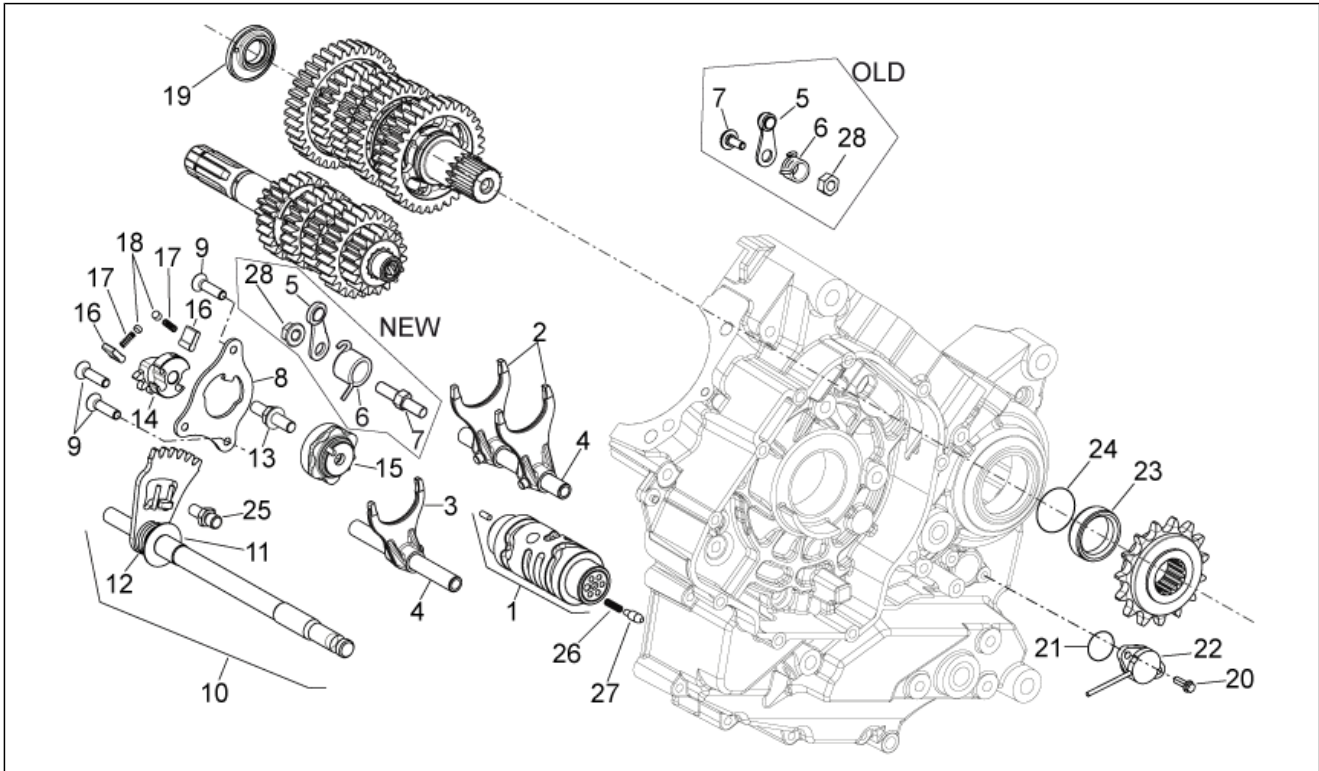
Pos.	Code	Description	Qty	Variants
1	873962	Rear intake camshaft	1	
2	873963	Rear exhaust camshaft	1	
3	874176	Axial lock plate	2	
4	874596	Timing system gear cpl.	1	
5	974228	Spacer screw	2	
6	849910	Rear timing system gear cpl.	2	
7	849771	Thrust washer	2	
8	849722	Nut M15x1 SX	2	
9	874591	Special screw	1	
10	849817	Safety washer	1	
11	873233	Gasket ring	1	
12	849213	Cylinder head assy.	1	Country:Australia[AA], Other country Europe[EU], Japan[J]
12	875413	Cylinder head assy.	1	Country:United States of America[USA]
13	878439	Torx convex big end screw	8	
14	849827	Camshaft chain	1	
15	871798	Chain guide plate	1	
16	871748	Chain tensioner rod	1	
17	874185	Screw	4	

Group	ENGINE
Code	29.46
Description	Gear box selector
Service	1



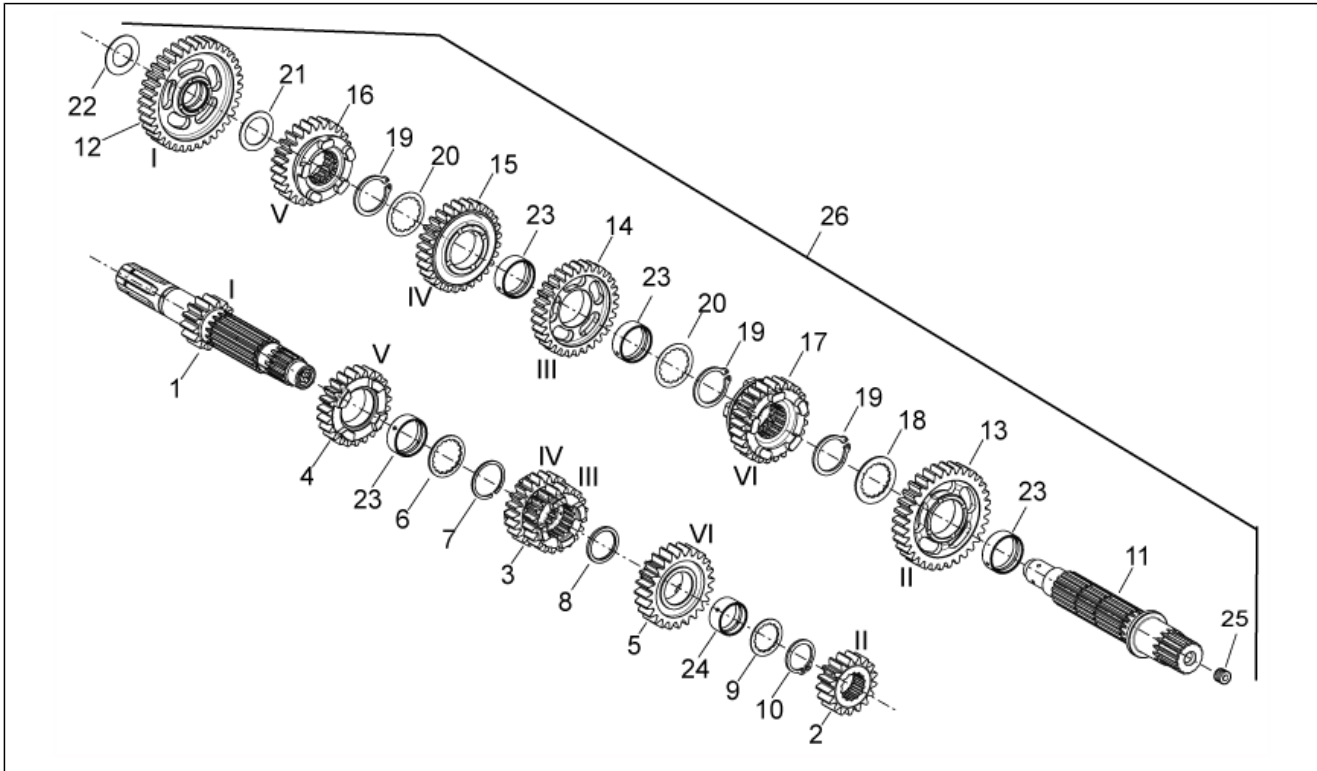
Pos.	Code	Description	Qty	Variants
1	849693	Selector drum	1	
2	849360	Fork	2	
3	849468	Fork	1	
4	974084	Fork shaft	2	
5	872154	Index assy. lever	1	
6	871669	Gear stop lever spring	1	
7	879129	Screw with bushing M6X1X15	1	Technical Specifications:Old version[Old]
7	B013928	Threaded pin	1	Technical Specifications:New version[New]
8	871649	Selector lock plate	1	
9	878867	screw	3	
10	874129	Gear shaft+spring cpl.	1	
11	971718	Flat washer 14X30X1	1	
12	971719	Switch plate spring	1	
13	878870	Threaded pin M8x1,25	1	
14	872560	Shift cam plate	1	
15	B013362	Selector drum	1	
16	AP9150069	Lever	2	
17	AP9150064	Spring	2	
18	AP9150070	Spring pillar	2	
19	878742	Wheel speed sensor, left front	1	
20	844211	Hex socket screw	2	
21	AP9150479	O-ring D23,52x1,78	1	
22	58188R	Sensor	1	
23	974558	Spacer	1	
24	871901	Gasket OR	1	
25	974130	Selector lock	1	
26	873695	Spring	1	
27	AP9150003	Spring pillar	1	

Group	ENGINE
Code	29.46
Description	Gear box selector
Service	1



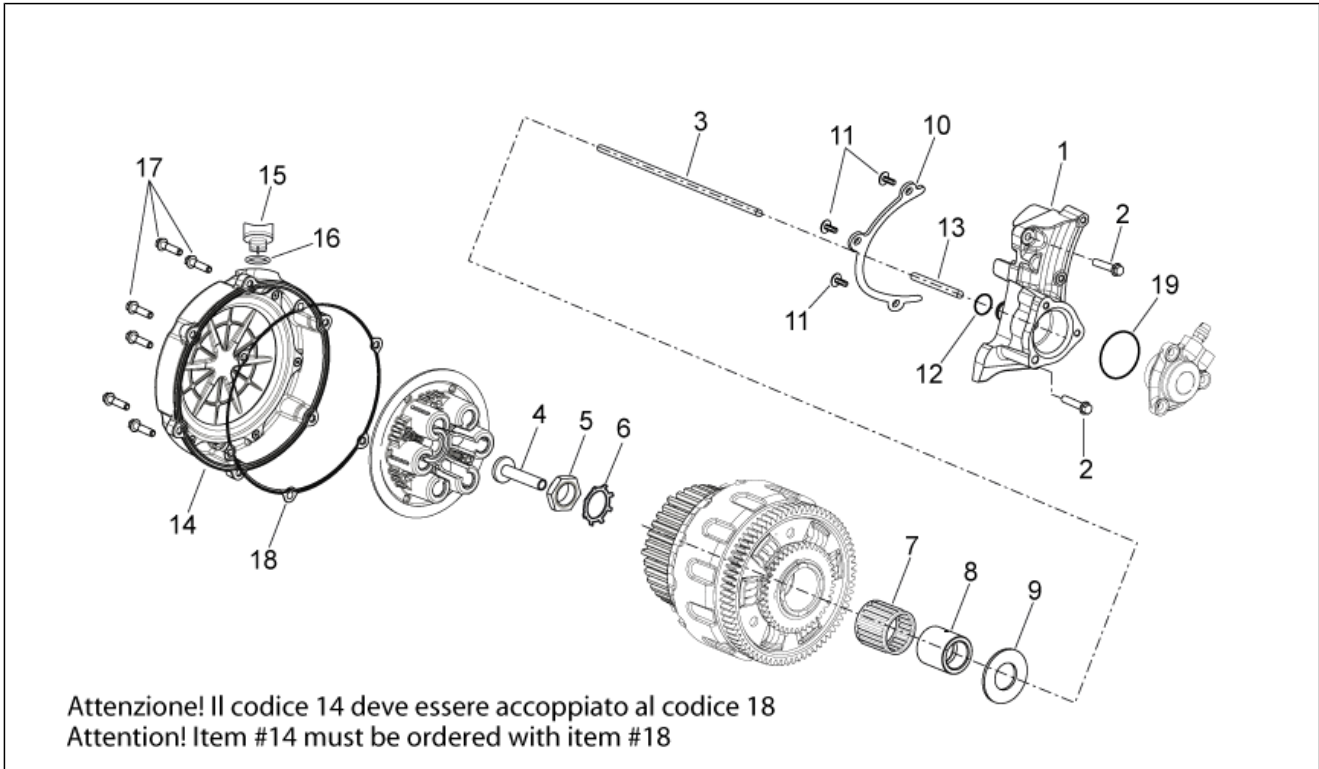
Pos.	Code	Description	Qty	Variants
28	006175	Plain washer	1	Technical Specifications:Old version[Old]
28	597565	Self locking nut	1	Technical Specifications:New version[New]

Group	ENGINE
Code	29.47
Description	Gear box
Service	1



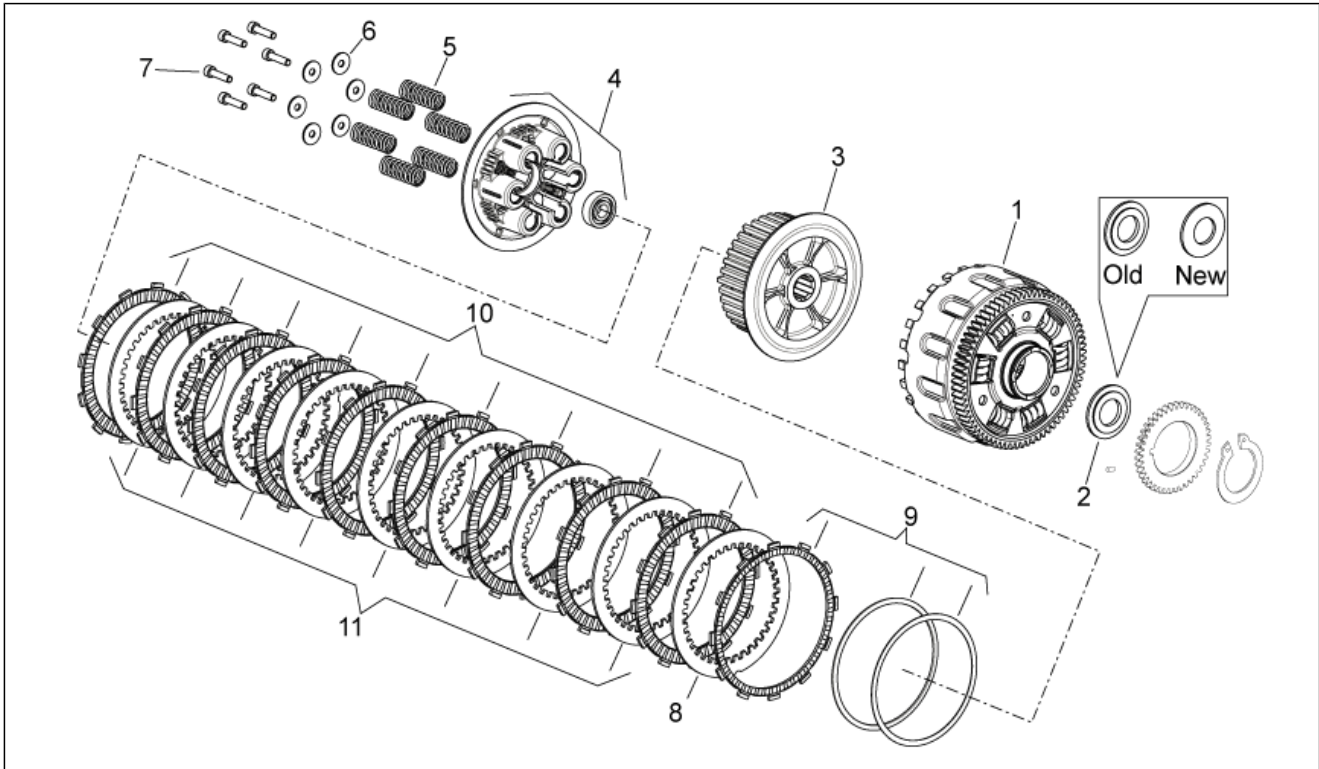
Pos.	Code	Description	Qty	Variants
1	849293	Primary gear shaft Z=14	1	
2	849295	2nd pinion gear Z=17	1	
3	849296	3rd-4th pinion gear Z=20/22	1	
4	849297	5th pinion gear Z=23	1	
5	849298	6th pinion gear Z=24	1	
6	849424	Clearance washer	1	
7	849426	Snap ring	1	
8	974163	Clearance washer	1	
9	849396	Clearance washer	1	
10	974165	Snap ring	1	
11	849301	Gearbox driven shaft	1	
12	849312	1st wheel gear Z=36	1	
13	849303	2nd wheel gear Z=32	1	
14	849304	3rd wheel gear Z=30	1	
15	849305	4th wheel gear Z=28	1	
16	849306	5th wheel gear Z=26	1	
17	849307	6th wheel gear Z=25	1	
18	849309	Clearance washer	1	
19	849311	Snap ring	3	
20	849310	Clearance washer	2	
21	974167	Clearance washer	1	
22	974166	Clearance washer	1	
23	849308	Moveable bush	4	
24	974162	Moveable bush	1	
25	842507	Plug M10x10	1	
26	82935R	Gear box assy	1	

Group	ENGINE
Code	29.48
Description	Clutch I
Service	1



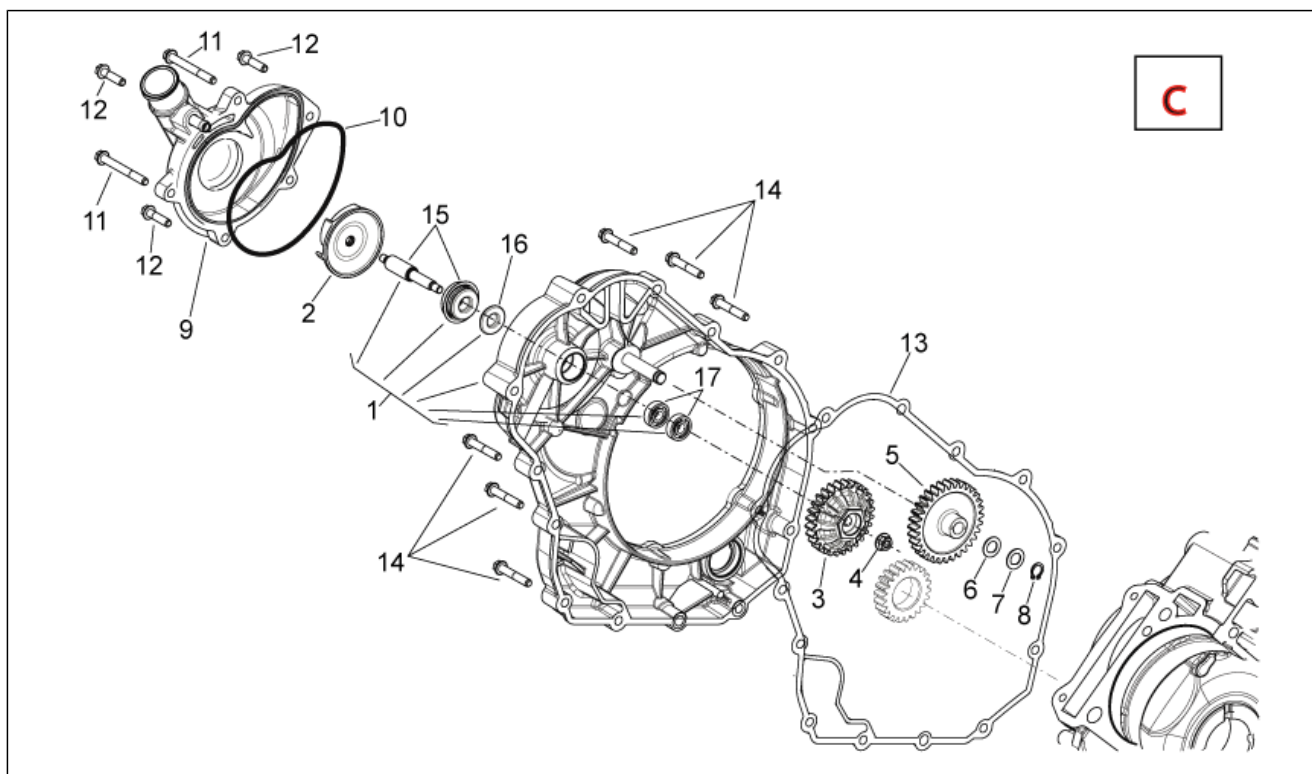
Pos.	Code	Description	Qty	Variants
1	872850	Clutch disengagement flange	1	
2	872421	Screw w/ flange	2	
3	874660	Clutch shaft	1	
4	873127	Rod	1	
5	876790	Nut	1	
6	876296	Safety washer	1	
7	974361	Roller cage 35X40X35,8	1	
8	873543	Spacer	1	
9	974320	Washer	1	
10	873117	Chain guide	1	
11	831153	Screw	3	
12	871609	Gasket ring "OR"	1	
13	874191	Pawl clutch	1	
14	8725174	Complete clutch cover	1	Technical Specifications: Fit with clutch cover without OR cable[A]
15	873995	Oil load plug	1	
16	974230	Gasket ring OR	1	
17	871094	Screw w/ flange	6	
18	871095	O-ring	1	Technical Specifications: Fit with clutch cover with OR cable[B]
18	875725	Paper gasket	1	Technical Specifications: Fit with clutch cover without OR cable[A]
19	825577	Gasket ring 8x16x7	1	

Group	ENGINE
Code	29.49
Description	Clutch II
Service	1



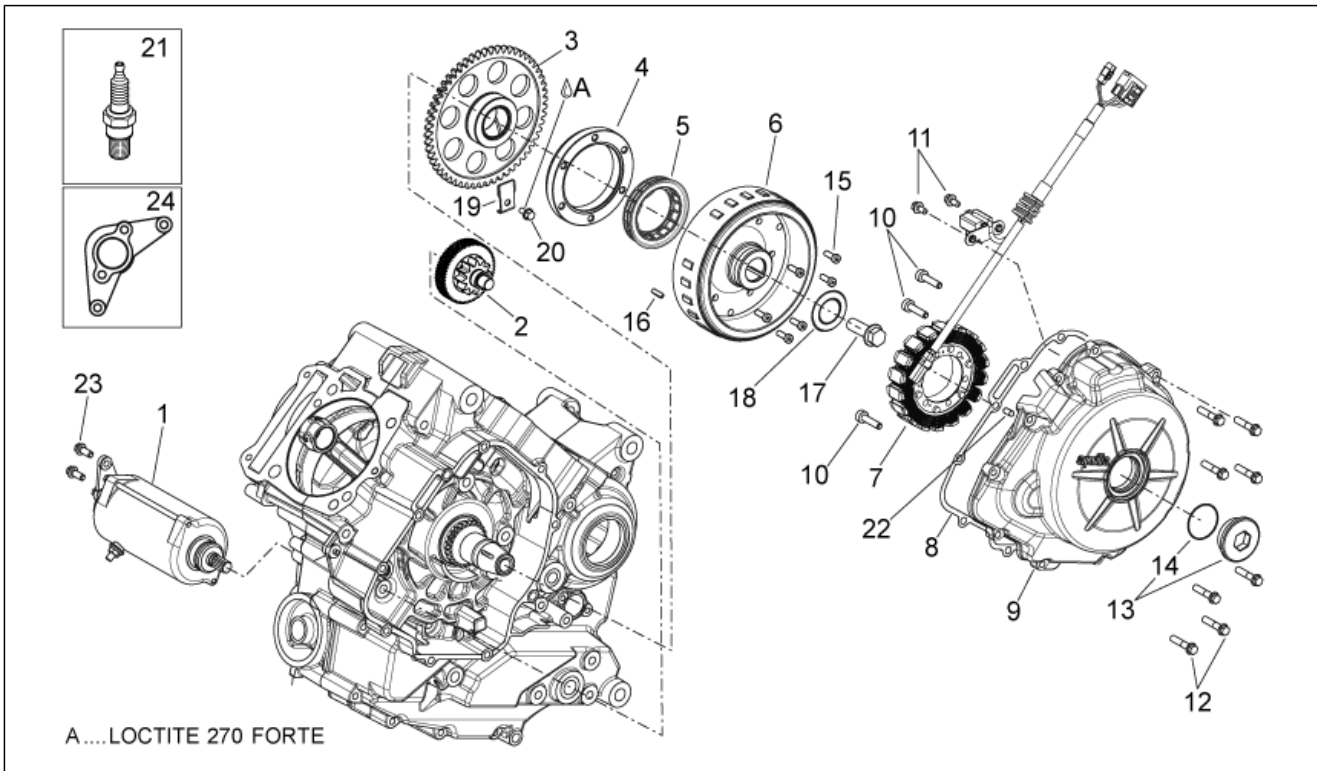
Pos.	Code	Description	Qty	Variants
1	873706	Clutch housing, complete	1	
2	873274	Washer	1	Technical Specifications: Old version[Old]
2	974320	Washer	1	Technical Specifications: New version[New]
3	873715	Clutch hub	1	
4	873719	Clutch pressure plate	1	
5	873722	Clutch spring	6	
6	873717	Washer	6	
7	873718	Hex socket screw M6	6	
8	873725	Nitrated driven clutch disc	1	
9	860329	Kit clutch disc	1	
10	873724	Driving clutch disc	9	
11	873723	Driven clutch disc	8	

Group	ENGINE
Code	29.50
Description	Water pump
Service	1



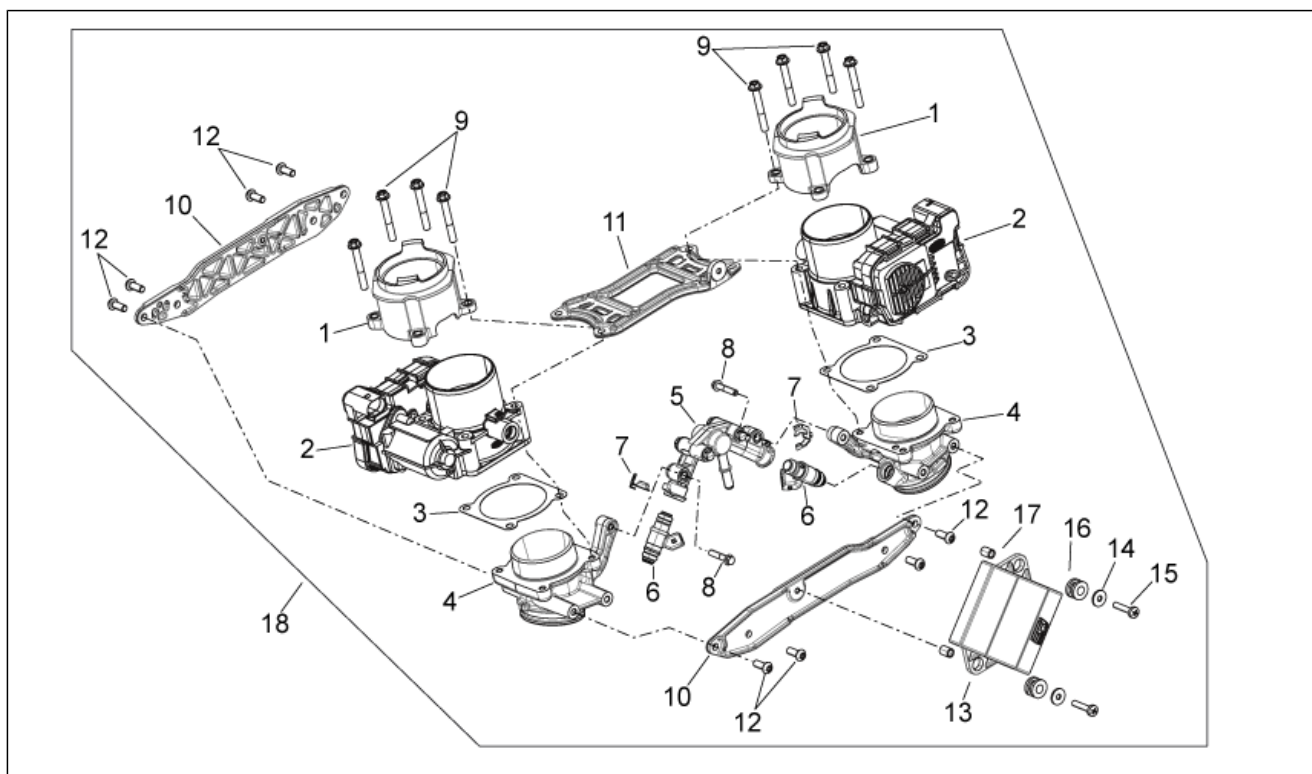
Pos.	Code	Description	Qty	Variants
1	871657	Clutch side cover	1	
2	873599	Water pump impeller cpl.	1	
3	871180	Water pump driven gear	1	
4	872816	Flanged nut	1	
5	8743975	Intermediate gear	1	
6	848280	Flat washer	1	
7	873473	Flat washer	1	
8	006410	Gasket ring	1	
9	871068	Water pump cover	1	
10	848209	Gasket OR	1	
11	872422	Screw w/ flange	2	
12	871094	Screw w/ flange	3	
13	874619	Gasket	1	
14	872117	Screw w/ flange	13	
15	873497	Water pump rod with U.P.	1	
16	871258	Gasket ring 12-20-5	1	
17	871255	Radial ball bearing	2	

Group	ENGINE
Code	29.51
Description	Ignition unit
Service	1



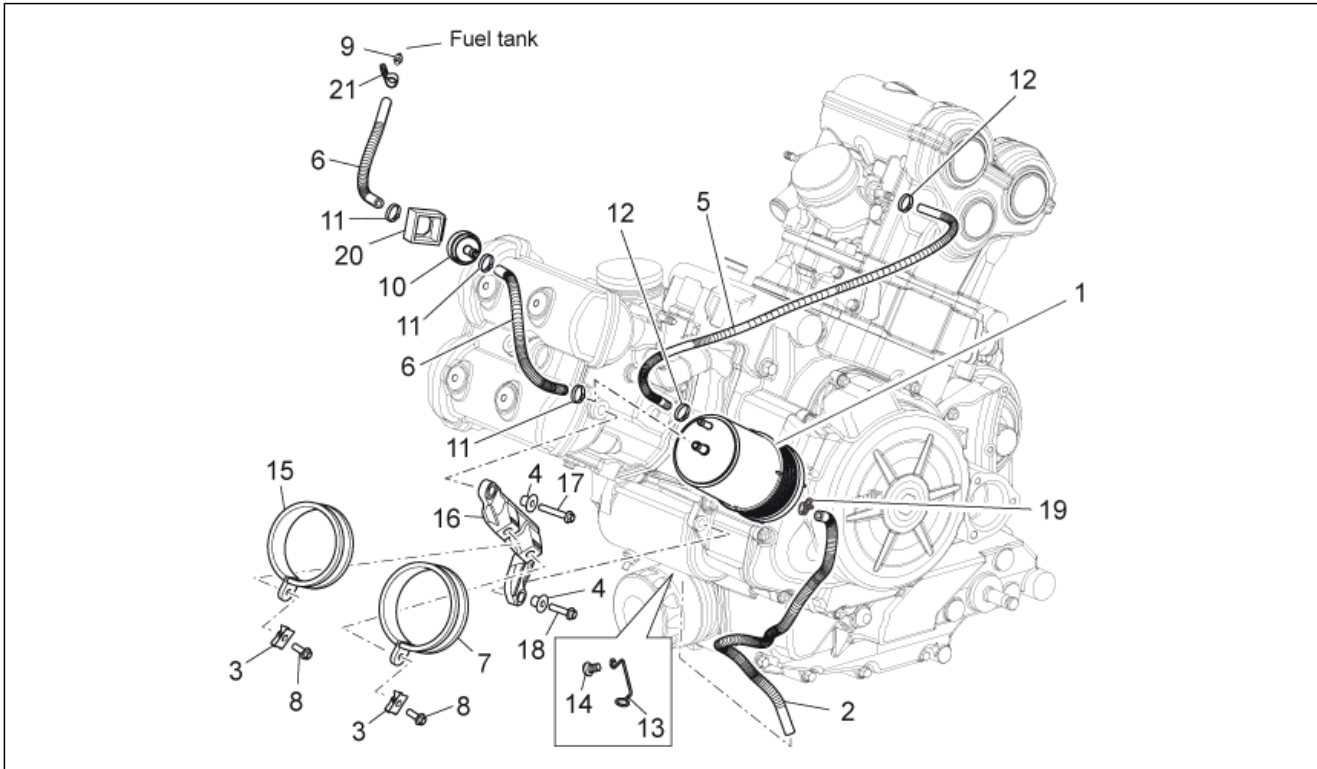
Pos.	Code	Description	Qty	Variants
1	82697R	Starter motor	1	
2	878384	Torque limiter	1	
3	848714	Starter motor gear	1	
4	830390	Sprag clutch housing	1	
5	830389	Sprag clutch	1	
6	640169	Rotor cpl.	1	
7	640168	Stator cpl.	1	
8	974033	Flywheel housing cover gasket	1	
9	872437	Flywheel cover, grey	1	
10	597564	screw	3	
11	015715	Screw M5x16	2	
12	872421	Screw w/ flange	10	
13	8716755	Cover	1	
14	974219	Gasket	1	
15	841915	Hex socket screw	6	
16	000267	Transmission key	1	
17	831148	Screw w/ flange M14x1,5	1	
17	848341	Screw w/ flange M12x1.25	1	
18	825725	Flat washer 14.1x30x3	1	
18	871494	Washer 12,5X32X3,5	1	
19	848845	Plate	1	
20	878872	Screw w/ flange	1	
21	829981	Spark plug NGK R CR7EK	2	
22	277916	Locating dowel	2	
23	872432	Screw w/ flange	2	
24	849923	Maintenance	1	

Group	ENGINE
Code	29.52
Description	Throttle body
Service	1



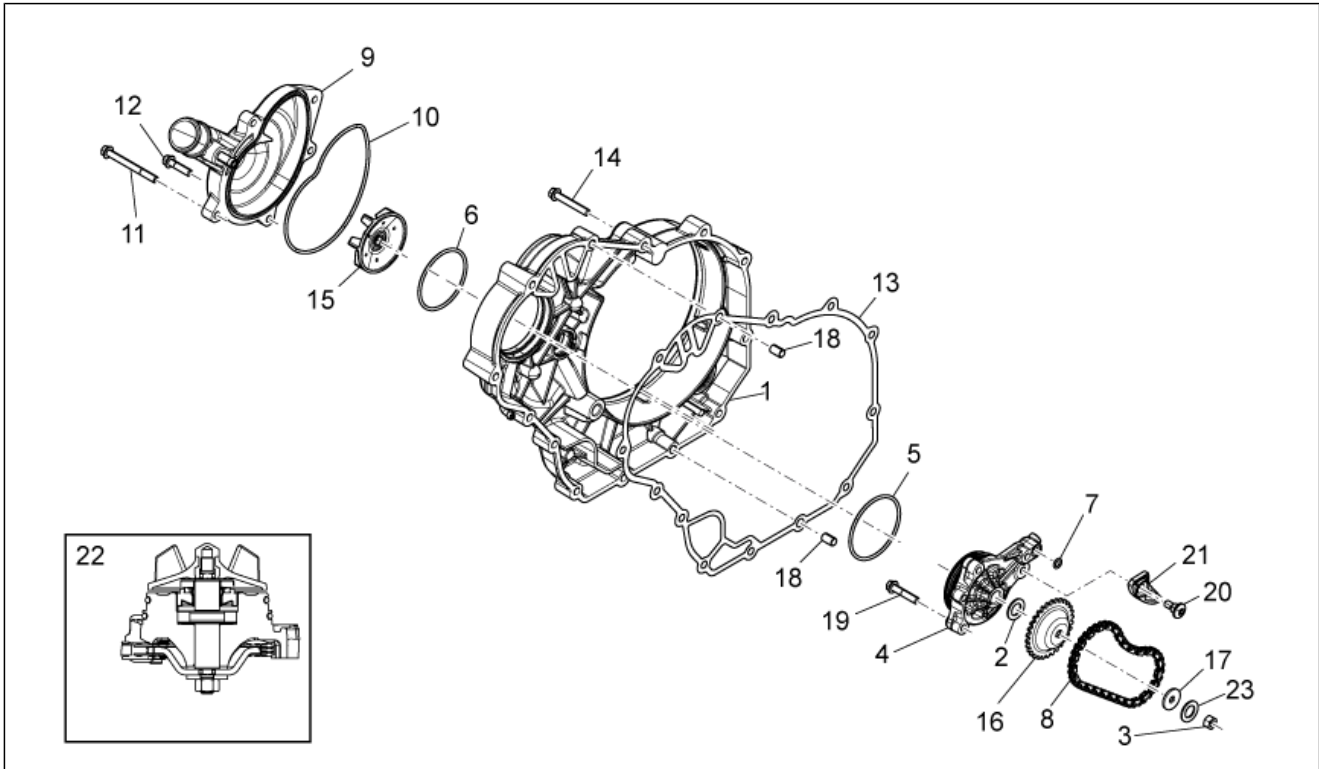
Pos.	Code	Description	Qty	Variants
1	872174	Air filter support	2	
2	872230	Throttle body	2	
3	872264	Gasket	2	
4	872173	Union	2	
5	873218	Fuel rail cpl	1	
6	584815	Injector	2	
7	849898	Spring	2	
8	289731	Screw w/ flange M6x30	2	
9	432142	screw M6x60	8	
10	872176	plate	2	
11	872177	Upper plate	1	
12	873433	Hex socket screw	8	
13	640268	ECU	1	
14	224664	Washer 5,2X15X1,5	2	
15	015597	TBIC screw	2	
16	217163	Pad	2	
17	217164	Spacer	2	
18	872180	Throttle body cpl.	1	

Group	ENGINE
Code	29.53
Description	Fuel vapour recover system
Service	1



Pos.	Code	Description	Qty	Variants
1	AP8102678	Carbon filter	1	Country:United States of America[USA]
2	AP8120905	Fuel pipe 8x13	1	Country:United States of America[USA]
3	254485	Spring plate M6	2	Country:United States of America[USA]
4	AP8221023	T bush	2	Country:United States of America[USA]
5	856062	pipe SAE 30 d.11,11x4,8	1	Country:United States of America[USA]
6	856063	pipe SAE 30 d.12,7x6,35	2	Country:United States of America[USA]
7	AP8102719	Hose clamp d.80,5	1	Country:United States of America[USA]
8	AP8152278	Screw w/ flange M6x16	2	Country:United States of America[USA]
9	AP8144276	Joint	1	Country:United States of America[USA]
10	AP8104614	Pressure valve	1	Country:United States of America[USA]
11	AP8102764	White hose clip d.13x6	3	Country:United States of America[USA]
12	AP8120446	Hose clip, green D11x6,6x1	2	Country:United States of America[USA]
13	AP8102815	Plug hook	1	Country:United States of America[USA]
14	AP8152055	Hex socket screw M8x12	1	Country:United States of America[USA]
15	AP8102688	Hose clamp d.76	1	Country:United States of America[USA]
16	858576	Maintenance	1	Country:United States of America[USA]
17	AP8152282	Screw w/ flange M6x35	1	Country:United States of America[USA]
18	AP8152280	Screw w/ flange M6x25	1	Country:United States of America[USA]
19	AP8102520	Hose clamp	1	Country:United States of America[USA]
20	AP8220546	Relay rubber	1	Country:United States of America[USA]
21	AP8102151	Black hose D12*	1	Country:United States of America[USA]

Group	ENGINE
Code	29.54
Description	Water pump II
Service	1



Pos.	Code	Description	Qty	Variants
1	878395	Clutch side cover antracite	1	
2	878734	Shim washer	1	
3	876529	Nut M6	1	
4	880797	Pump support	1	
5	878115	O-ring	1	
6	876538	O-ring	1	
7	224035	O-ring	1	
8	846624	Chain 52	1	
9	B013068	Water pump cover grigio zenith	1	
10	848209	Gasket OR	1	
11	877850	Screw w/ flange	2	
12	874549	Screw w/ flange	3	
13	877069	Water pump cover gasket	1	
14	874550	Screw w/ flange	11	
15	880867	Rotor	1	
16	875814	Chain ring	1	
17	834951	Conical washer	1	
18	277916	Locating dowel	2	
19	289731	Screw w/ flange M6x30	3	
20	CM179202	screw	1	
21	B013345	Chain guide plate	1	
22	8807955	Water pump assy	1	
23	436695	Belleville spring $\varnothing 6,4 \times \varnothing 20 \times 2$	1	