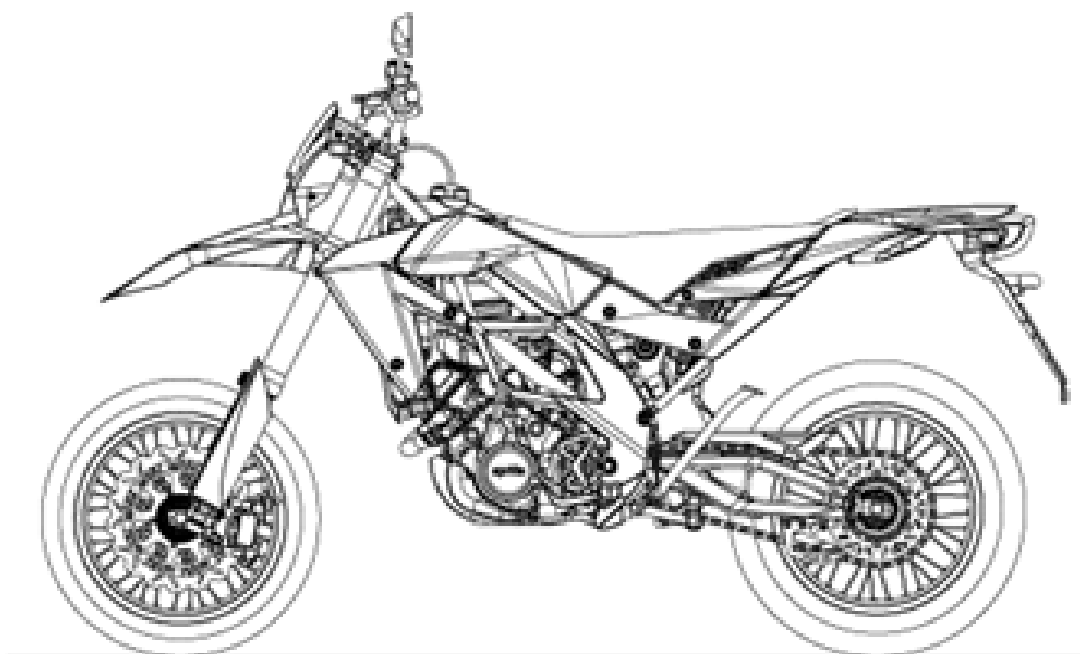




PIAGGIO & C.s.p.a.

aprilia

SPARE PARTS CATALOGUE



RXV-SXV 450-550 Pikes Peak 2009

Chassis prefix: ZD4VPL00, ZD4VPT00, ZD4VPX00, ZD4VSR00, ZD4VSS00

Engine prefix:

RXV-SXV 450-550

4234

Index

Finished products.....	4
Alphanumeric index.....	5
FRAME.....	12
Table 28.01 - Frame.....	12
Table 28.02 - Foot rests.....	13
Table 28.03 - Central stand.....	14
Table 28.04 - Steering I.....	15
Table 28.05 - Front fork I.....	16
Table 28.06 - Front fork II.....	17
Table 28.07 - Swing arm.....	18
Table 28.08 - Rear shock absorber.....	20
Table 28.09 - Front body I.....	21
Table 28.10 - Front body II.....	22
Table 28.11 - Fuel tank.....	23
Table 28.12 - Oil tank.....	24
Table 28.13 - Saddle.....	25
Table 28.14 - Central body.....	26
Table 28.15 - Rear body.....	27
Table 28.16 - Dashboard.....	29
Table 28.17 - Controls.....	30
Table 28.18 - Cooling system.....	31
Table 28.19 - Air box.....	33
Table 28.20 - Exhaust unit.....	34
Table 28.21 - Front wheel I.....	35
Table 28.22 - Front wheel II.....	36
Table 28.23 - Rear wheel I.....	37
Table 28.24 - Rear wheel II.....	38
Table 28.25 - Front brake system I.....	39
Table 28.26 - Front brake system II.....	40
Table 28.27 - Rear brake system.....	42
Table 28.28 - Lights.....	43
Table 28.29 - Electrical system I.....	44
Table 28.30 - Electrical system II.....	45
Table 28.31 - Completing part.....	47
ENGINE.....	48
Table 29.32 - Engine.....	48
Table 29.33 - Crankcase I.....	50
Table 29.34 - Crankcase II.....	52
Table 29.35 - Oil pump.....	55
Table 29.36 - Lubrication.....	56
Table 29.37 - Drive shaft.....	57
Table 29.38 - Cylinder with piston.....	58
Table 29.39 - Cylinder head.....	59

Table 29.40 - Valves.....	61
Table 29.41 - Valves pads.....	62
Table 29.42 - Front cylinder timing system.....	63
Table 29.43 - Rear cylinder timing system.....	65
Table 29.44 - Transmission shaft.....	66
Table 29.45 - Gear box selector I.....	68
Table 29.46 - Gear box selector II.....	69
Table 29.47 - Primary gear shaft.....	70
Table 29.48 - Driven shaft.....	71
Table 29.49 - Clutch I.....	73
Table 29.50 - Water pump.....	74
Table 29.51 - Starter motor.....	76
Table 29.52 - Throttle body.....	78
Table 29.53 - Ignition unit.....	79
Table 29.54 - Secondary air.....	80
Table 29.55 - Starter.....	81



RXV-SXV 450-550
4234 - RXV-SXV 450-550 Pikes Peak 2009

Chassis prefix: ZD4VPL00, ZD4VPT00,
ZD4VPX00, ZD4VSR00, ZD4VSS00
Engine prefix:

Finished products

Code	Validity
------	----------

no finished product

Code	No. table	Pos.	Code	No. table	Pos.	Code	No. table	Pos.
245736	29.55	8	851280	28.06	11	856932	28.11	3
257814	29.55	5	851283	29.50	9	858044	28.19	6
258469	29.55	6	851290	28.05	2	858045	28.19	22
639687	29.53	10	851291	28.05	1	858142	28.20	25
709052	28.19	21	851292	28.08	2	858388	28.09	3
709519	29.55	9	851298	29.38	3	890575	28.09	22
844211	29.44	7	851315	29.34	4	891109	28.28	23
8496465	29.51	5	851348	28.26	25	89113100C2	28.13	1
8496465	29.51	5	851359	28.17	17	891170	29.40	7
8496465	29.51	5	851360	28.17	18	894633	28.31	12
8496465	29.51	5	851363	28.31	9	894634	28.31	12
849801	29.51	5	851364	28.31	8	894636	28.10	7
849801	29.51	5	851366	28.26	1	894637	28.10	8
849801	29.51	5	851367	28.26	3	894638	28.10	9
849801	29.51	5	851368	28.26	10	894639	28.10	10
849802	29.51	6	851436	29.49	9	894640	28.14	19
849802	29.51	6	851440	28.13	5	894641	28.14	20
849802	29.51	6	853512	28.01	1	894642	28.11	25
849802	29.51	6	853513	28.01	1	894643	28.11	26
849803	29.51	7	853534	28.01	7	894644	28.15	26
849803	29.51	7	853976	28.17	13	894645	28.15	27
849803	29.51	7	853977	28.17	12	894646	28.15	32
849803	29.51	7	855022	29.54	4	894647	28.15	33
851007	29.37	2	855023	29.54	2	894648	28.15	28
851009	29.44	1	855024	29.54	3	894649	28.15	29
851009	29.44	1	855026	28.20	2	894650	28.15	30
851009	29.44	1	855028	29.54	12	894651	28.15	31
851009	29.44	1	855034	29.39	6	894652	28.09	23
851010	29.50	12	855034	29.39	6	894653	28.09	24
851011	29.44	11	855035	29.39	6	894655	28.14	19
851011	29.44	11	855035	29.39	6	894656	28.14	20
851011	29.44	11	855036	28.20	1	894674	28.11	27
851011	29.44	11	855037	28.20	1	894675	28.11	28
851012	29.34	21	855038	28.28	1	895040	28.09	19
851012	29.34	21	85504700XN4	28.09	2	895041	28.09	20
851012	29.34	21	855054	29.54	1	895042	28.09	21
851012	29.34	21	855055	29.54	9	895066	28.09	19
851013	29.50	11	855056	29.54	10	AP8101372	28.14	14
851013	29.50	11	855057	29.54	5	AP8101586	28.12	11
851013	29.50	11	855081	28.19	19	AP8101586	29.54	16
851013	29.50	11	855087	28.20	2	AP8101595	28.19	8
851015	29.34	20	855182	29.54	6	AP8101606	28.02	11
851015	29.34	20	855183	29.54	8	AP8101928	28.27	22
851015	29.34	20	855184	29.54	13	AP8102208	28.04	16
851015	29.34	20	855242	29.34	1	AP8102273	29.54	15
851017	29.34	22	855252	29.34	23	AP8102375	28.09	5
851017	29.34	22	855489	29.53	3	AP8102375	28.14	5
851017	29.34	22	855601	29.38	3	AP8102375	28.15	20
851017	29.34	22	855604	28.30	33	AP8102376	28.10	6
851019	29.34	9	855680	29.53	1	AP8102376	28.15	15
851019	29.34	9	855804	29.55	10	AP8102376	28.15	21
851019	29.34	9	855818	29.55	7	AP8102376	28.18	15
851019	29.34	9	855834	29.32	15	AP8102376	28.20	20
851023	28.29	2	855834	29.32	15	AP8102376	29.54	7
851029	28.04	7	855835	29.32	15	AP8102377	28.19	10
851030	28.04	8	855835	29.32	15	AP8102377	29.33	31
851035	29.38	1	855836	29.55	1	AP8102377	29.54	24
851039	29.38	1	855838	29.55	2	AP8102378	28.18	23
851042	29.38	2	855839	29.55	3	AP8102431	29.55	4
851045	29.38	2	855846	28.11	1	AP8102525	28.12	13
851063	28.21	20	856352	28.15	24	AP8102903	28.12	10
851064	28.22	19	856353	28.15	25	AP8104124	28.18	31
851065	28.23	23	856363	28.15	23	AP8104921	28.17	14
851066	28.24	22	856364	28.15	34	AP8104922	28.17	15
851134	28.07	28	856365	28.15	35	AP8108672	28.22	12
851240	29.36	18	856610	28.28	26	AP8109001	28.21	3
851280	28.03	4	856897	29.54	26	AP8109281	28.23	3

Code	No. table	Pos.	Code	No. table	Pos.	Code	No. table	Pos.
AP8109306	28.22	2	AP8150015	28.20	22	AP8152277	28.11	5
AP8109309	28.22	3	AP8150015	29.54	18	AP8152277	28.15	19
AP8112176	28.30	17	AP8150017	28.02	10	AP8152277	28.30	24
AP8112202	28.15	12	AP8150017	28.23	18	AP8152277	29.33	27
AP8112244	28.30	16	AP8150017	28.24	19	AP8152277	29.33	3
AP8112600	28.16	2	AP8150017	28.27	21	AP8152277	29.36	2
AP8112600	28.28	20	AP8150017	28.28	10	AP8152277	29.39	13
AP8117004	28.30	28	AP8150017	28.29	17	AP8152277	29.46	6
AP8117041	28.18	29	AP8150026	29.54	25	AP8152278	28.09	10
AP8119603	28.20	18	AP8150051	28.03	11	AP8152278	28.20	14
AP8120001	28.30	3	AP8150070	28.21	16	AP8152278	28.23	15
AP8120223	28.12	14	AP8150070	28.22	15	AP8152278	28.24	14
AP8120253	28.01	10	AP8150137	29.54	17	AP8152278	28.27	23
AP8120313	28.01	12	AP8150159	28.01	16	AP8152278	28.29	11
AP8120405	28.09	7	AP8150159	28.28	17	AP8152278	29.34	14
AP8120446	28.18	28	AP8150160	29.54	22	AP8152278	29.42	12
AP8120455	28.18	32	AP8150169	28.27	20	AP8152278	29.43	12
AP8120593	28.19	16	AP8150204	28.01	17	AP8152278	29.50	3
AP8120870	28.20	19	AP8150204	28.29	6	AP8152279	28.13	7
AP8120876	28.18	6	AP8150211	28.31	4	AP8152279	28.14	13
AP8120876	28.19	11	AP8150246	28.04	17	AP8152279	28.15	16
AP8120952	28.18	16	AP8150246	28.09	16	AP8152279	28.15	17
AP8120952	28.18	22	AP8150272	28.30	27	AP8152279	28.15	8
AP8120987	28.12	12	AP8150349	28.31	3	AP8152279	28.20	12
AP8121032	28.09	18	AP8150376	28.29	16	AP8152279	29.34	2
AP8121075	28.13	6	AP8150411	29.54	11	AP8152279	29.49	21
AP8121170	28.20	16	AP8150413	28.11	20	AP8152279	29.54	19
AP8121334	28.21	14	AP8150413	28.19	14	AP8152280	28.05	15
AP8121334	28.22	13	AP8150413	28.28	15	AP8152280	28.15	5
AP8121334	28.23	9	AP8150413	28.28	16	AP8152280	28.17	10
AP8121334	28.24	8	AP8150413	28.28	3	AP8152280	28.25	6
AP8121451	29.53	9	AP8150429	28.21	19	AP8152280	28.26	14
AP8121638	28.12	5	AP8150429	28.22	18	AP8152280	29.32	3
AP8121665	28.28	21	AP8150429	28.30	26	AP8152280	29.34	3
AP8121736	28.14	8	AP8150450	28.15	13	AP8152280	29.35	5
AP8121795	28.15	22	AP8150451	28.16	4	AP8152280	29.39	4
AP8121795	28.16	3	AP8150451	28.18	9	AP8152281	28.11	13
AP8121811	28.11	8	AP8150460	28.29	21	AP8152281	28.29	8
AP8121856	29.39	18	AP8150475	28.28	4	AP8152281	29.32	13
AP8121862	29.33	25	AP8150515	28.07	18	AP8152281	29.35	7
AP8121915	28.26	22	AP8150521	28.11	9	AP8152281	29.51	2
AP8124235	28.29	18	AP8152001	28.03	6	AP8152282	29.34	10
AP8124273	28.30	11	AP8152018	28.08	13	AP8152283	28.09	11
AP8124873	28.28	14	AP8152112	28.29	15	AP8152283	29.32	14
AP8124930	28.18	4	AP8152117	28.15	6	AP8152283	29.33	7
AP8125853	29.45	4	AP8152123	28.03	12	AP8152283	29.50	2
AP8127098	28.28	13	AP8152123	28.30	25	AP8152285	29.33	24
AP8127113	28.28	25	AP8152137	28.28	18	AP8152286	28.02	8
AP8127164	28.28	27	AP8152176	28.02	9	AP8152287	28.31	11
AP8127391	28.29	14	AP8152181	28.28	19	AP8152288	28.20	9
AP8127656	28.28	9	AP8152244	28.07	7	AP8152289	28.01	7
AP8127657	28.28	8	AP8152262	28.07	14	AP8152289	28.17	3
AP8140710	28.31	2	AP8152262	28.28	11	AP8152290	28.04	14
AP8144038	28.19	9	AP8152267	28.18	7	AP8152290	28.25	17
AP8144064	28.14	7	AP8152272	28.01	9	AP8152305	28.07	13
AP8144065	28.19	20	AP8152272	28.30	13	AP8152323	28.07	25
AP8144443	28.07	16	AP8152272	29.46	19	AP8152324	28.07	26
AP8144444	28.07	15	AP8152272	29.46	23	AP8152339	28.09	6
AP8144506	28.18	17	AP8152272	29.53	4	AP8152339	28.15	18
AP8144538	28.01	15	AP8152273	28.11	18	AP8152342	28.20	21
AP8144538	28.30	4	AP8152274	28.14	6	AP8152351	28.19	7
AP8150011	28.28	5	AP8152274	29.42	3	AP8156337	28.15	10
AP8150011	28.29	5	AP8152274	29.43	3	AP8156343	28.09	4
AP8150013	28.16	5	AP8152275	28.01	11	AP8161006	28.03	5
AP8150013	28.18	8	AP8152275	29.53	2	AP8163094	28.05	6
AP8150015	28.09	9	AP8152277	28.07	20	AP8163095	28.05	7
AP8150015	28.15	9	AP8152277	28.09	8	AP8163096	28.05	8

Code	No. table	Pos.	Code	No. table	Pos.	Code	No. table	Pos.
AP8163097	28.05	9	AP9100184	28.08	8	AP9100334	28.24	17
AP8163370	28.05	11	AP9100186	28.08	11	AP9100336	28.23	20
AP8166680	28.07	29	AP9100193	28.02	1	AP9100343	28.12	1
AP8176099	28.30	15	AP9100194	28.02	2	AP9100347	28.14	9
AP8176214	29.49	13	AP9100195	28.02	3	AP9100348	28.18	1
AP8176215	29.49	14	AP9100196	28.02	4	AP9100349	28.18	2
AP8184496	28.15	2	AP9100197	28.02	5	AP9100354	28.27	19
AP8184497	28.15	1	AP9100202	28.07	2	AP9100356	28.27	15
AP8184562	28.10	1	AP9100203	28.07	3	AP9100358	29.36	5
AP8184563	28.10	2	AP9100204	28.04	6	AP9100362	29.36	6
AP8184605	28.14	1	AP9100205	28.04	9	AP9100365	28.13	2
AP8184606	28.14	2	AP9100208	28.08	18	AP9100366	28.10	3
AP8187032	28.07	28	AP9100211	28.23	12	AP9100367	29.32	10
AP8201169	28.18	24	AP9100213	28.23	13	AP9100371	28.30	6
AP8201431	28.11	10	AP9100214	28.23	6	AP9100372	28.30	8
AP8202058	28.07	27	AP9100215	28.23	10	AP9100374	29.32	9
AP8218628	28.17	19	AP9100216	28.21	8	AP9100375	28.11	24
AP8220191	28.18	30	AP9100216	28.22	7	AP9100375	28.18	12
AP8220283	28.29	13	AP9100216	28.23	7	AP9100376	28.18	10
AP8220402	28.11	21	AP9100216	28.24	6	AP9100381	29.32	12
AP8220598	28.29	3	AP9100221	28.07	24	AP9100383	29.32	11
AP8220598	29.54	23	AP9100223	28.03	7	AP9100386	29.49	11
AP8220620	28.11	2	AP9100224	28.21	12	AP9100387	29.53	3
AP8221129	29.54	21	AP9100225	28.21	7	AP9100389	28.01	14
AP8221198	28.28	6	AP9100225	28.22	6	AP9100390	28.02	7
AP8224462	28.29	12	AP9100226	28.21	10	AP9100393	28.30	7
AP8234020	28.07	19	AP9100226	28.22	10	AP9100397	28.06	1
AP8560104	29.33	33	AP9100227	28.21	11	AP9100398	28.06	2
AP8560106	29.33	34	AP9100227	28.22	9	AP9100409	28.20	6
AP9100007	28.08	4	AP9100227	28.23	8	AP9100411	29.32	2
AP9100021	28.04	5	AP9100227	28.24	7	AP9100412	28.04	11
AP9100026	28.04	3	AP9100228	28.21	9	AP9100414	28.20	3
AP9100028	28.04	4	AP9100228	28.22	8	AP9100415	28.11	19
AP9100053	28.09	17	AP9100229	28.21	17	AP9100416	28.11	14
AP9100053	28.10	5	AP9100229	28.22	16	AP9100417	28.27	8
AP9100053	28.14	3	AP9100230	28.21	18	AP9100418	28.25	8
AP9100053	28.15	3	AP9100230	28.22	17	AP9100419	28.03	3
AP9100056	28.23	11	AP9100238	28.20	10	AP9100423	28.29	10
AP9100057	28.21	13	AP9100241	28.20	11	AP9100424	28.29	7
AP9100060	28.07	9	AP9100243	28.01	18	AP9100425	28.17	20
AP9100061	28.07	8	AP9100244	28.20	4	AP9100426	28.17	21
AP9100065	28.01	13	AP9100249	28.20	5	AP9100427	28.19	13
AP9100078	28.11	6	AP9100252	28.20	15	AP9100428	28.19	15
AP9100080	28.11	4	AP9100256	28.25	11	AP9100429	28.29	9
AP9100081	28.11	12	AP9100257	28.25	1	AP9100432	28.23	19
AP9100082	28.11	11	AP9100261	28.23	5	AP9100432	28.24	20
AP9100087	28.13	3	AP9100262	28.21	5	AP9100433	28.07	21
AP9100104	28.07	1	AP9100264	28.07	6	AP9100433	29.32	13
AP9100106	28.22	11	AP9100267	28.12	18	AP9100434	28.07	23
AP9100107	28.24	11	AP9100270	28.07	24	AP9100434	28.12	8
AP9100109	28.07	10	AP9100275	28.02	6	AP9100434	28.14	12
AP9100111	28.08	9	AP9100279	28.19	2	AP9100434	28.20	13
AP9100114	28.08	2	AP9100281	28.13	4	AP9100434	29.54	20
AP9100120	28.07	1	AP9100287	28.07	22	AP9100435	28.07	11
AP9100123	28.07	6	AP9100288	28.15	14	AP9100437	28.04	2
AP9100171	28.21	6	AP9100289	28.08	17	AP9100439	28.04	13
AP9100171	28.22	5	AP9100290	28.27	16	AP9100439	28.08	15
AP9100173	28.01	4	AP9100291	28.27	17	AP9100440	28.09	14
AP9100174	28.01	5	AP9100292	29.36	7	AP9100441	28.09	13
AP9100175	28.01	6	AP9100293	28.04	10	AP9100442	28.08	14
AP9100176	28.08	1	AP9100297	28.17	2	AP9100443	29.32	5
AP9100177	28.08	7	AP9100301	28.20	24	AP9100444	29.52	1
AP9100178	28.08	5	AP9100302	28.20	23	AP9100447	28.29	1
AP9100179	28.08	10	AP9100315	28.01	13	AP9100451	29.48	20
AP9100180	28.08	3	AP9100322	28.24	5	AP9100455	28.19	12
AP9100181	28.08	6	AP9100325	28.30	10	AP9100456	28.18	25
AP9100182	28.08	24	AP9100327	28.30	14	AP9100456	29.54	14

Code	No. table	Pos.	Code	No. table	Pos.	Code	No. table	Pos.
AP9100457	28.21	4	AP9100596	28.24	16	AP9100790	28.25	14
AP9100458	28.21	2	AP9100600	29.48	19	AP9100791	28.25	15
AP9100461	28.21	15	AP9100604	28.08	16	AP9100792	28.25	16
AP9100462	28.23	4	AP9100608	28.24	1	AP9100793	28.27	3
AP9100466	28.23	14	AP9100610	28.15	11	AP9100794	28.27	2
AP9100466	28.24	13	AP9100616	28.07	12	AP9100795	28.27	4
AP9100467	28.23	17	AP9100635	28.28	2	AP9100796	28.27	14
AP9100467	28.24	18	AP9100636	28.17	7	AP9100797	28.27	10
AP9100472	28.25	8	AP9100638	28.12	6	AP9100798	28.27	11
AP9100472	28.27	6	AP9100642	28.25	7	AP9100799	28.27	13
AP9100473	28.25	10	AP9100643	29.32	6	AP9100800	28.27	12
AP9100473	28.27	7	AP9100645	28.10	4	AP9100801	28.17	6
AP9100475	28.27	1	AP9100645	28.15	4	AP9100802	28.17	13
AP9100477	28.27	18	AP9100661	28.12	7	AP9100808	28.08	19
AP9100478	28.27	5	AP9100661	28.14	11	AP9100814	28.08	20
AP9100479	28.27	9	AP9100663	28.18	14	AP9100815	28.08	20
AP9100486	28.17	12	AP9100665	28.12	16	AP9100817	28.08	21
AP9100487	28.30	9	AP9100668	28.03	8	AP9100820	28.08	22
AP9100494	29.52	3	AP9100669	28.03	9	AP9100826	28.08	23
AP9100496	28.12	9	AP9100680	28.04	2	AP9100827	28.08	23
AP9100501	28.09	12	AP9100683	29.32	8	AP9100834	28.03	1
AP9100504	28.14	4	AP9100684	29.32	8	AP9100835	28.03	1
AP9100506	28.18	3	AP9100685	29.32	8	AP9100836	28.03	10
AP9100507	28.21	1	AP9100686	29.32	8	AP9100837	28.31	10
AP9100508	28.23	2	AP9100687	29.32	7	AP9100845	28.20	7
AP9100510	28.23	1	AP9100688	28.01	8	AP9100847	28.05	3
AP9100511	28.30	22	AP9100697	28.18	27	AP9100848	28.05	4
AP9100512	28.30	1	AP9100703	28.19	3	AP9100849	28.05	10
AP9100513	28.17	5	AP9100704	28.17	1	AP9100850	28.05	12
AP9100514	28.17	4	AP9100707	28.25	5	AP9100851	28.05	13
AP9100515	28.31	1	AP9100709	29.52	2	AP9100852	28.05	14
AP9100516	28.16	1	AP9100711	28.26	25	AP9100853	28.05	17
AP9100517	28.09	1	AP9100712	28.26	24	AP9100854	28.05	18
AP9100518	28.29	20	AP9100713	28.26	15	AP9100855	28.05	5
AP9100519	28.28	22	AP9100714	28.18	26	AP9100856	28.05	16
AP9100523	28.28	12	AP9100714	29.52	4	AP9100857	28.05	19
AP9100525	29.48	19	AP9100715	28.24	21	AP9100858	28.05	20
AP9100526	28.24	2	AP9100724	28.01	12	AP9100859	28.05	21
AP9100527	28.24	3	AP9100725	28.30	5	AP9100869	28.06	3
AP9100528	28.22	14	AP9100736	28.20	8	AP9100870	28.06	4
AP9100530	28.22	1	AP9100739	28.30	20	AP9100871	28.06	5
AP9100531	28.23	21	AP9100742	28.30	18	AP9100872	28.06	6
AP9100533	28.23	22	AP9100747	28.28	7	AP9100873	28.06	7
AP9100542	28.04	1	AP9100749	28.26	23	AP9100874	28.06	8
AP9100548	28.09	15	AP9100752	28.27	25	AP9100875	28.06	9
AP9100549	28.08	12	AP9100755	28.20	17	AP9100876	28.06	10
AP9100550	29.32	12	AP9100756	28.31	7	AP9100877	28.06	12
AP9100553	28.18	20	AP9100757	28.31	6	AP9100878	28.06	13
AP9100554	28.18	21	AP9100763	28.26	21	AP9100879	28.06	14
AP9100555	28.18	18	AP9100765	28.30	23	AP9100905	28.26	20
AP9100557	28.18	19	AP9100766	28.01	2	AP9100906	28.26	16
AP9100558	28.30	12	AP9100767	28.11	7	AP9100907	28.26	17
AP9100559	28.24	10	AP9100768	28.01	20	AP9100908	28.26	18
AP9100560	28.24	4	AP9100769	28.01	19	AP9100909	28.26	19
AP9100561	28.22	4	AP9100770	28.01	3	AP9100910	28.26	13
AP9100565	28.07	17	AP9100776	28.04	12	AP9100911	28.26	12
AP9100568	28.29	19	AP9100778	28.14	10	AP9100912	28.26	11
AP9100568	28.30	29	AP9100780	28.18	5	AP9100913	28.26	10
AP9100569	28.24	12	AP9100781	28.18	13	AP9100914	28.26	9
AP9100584	28.24	9	AP9100782	28.30	19	AP9100915	28.26	8
AP9100586	29.52	1	AP9100783	28.30	21	AP9100916	28.26	7
AP9100587	28.19	5	AP9100785	28.25	2	AP9100917	28.26	6
AP9100588	28.19	4	AP9100786	28.25	3	AP9100918	28.26	5
AP9100593	29.32	4	AP9100787	28.25	4	AP9100919	28.26	4
AP9100594	28.15	7	AP9100788	28.25	12	AP9100920	28.26	3
AP9100595	28.23	16	AP9100789	28.25	13	AP9100921	28.26	2
AP9100595	28.24	15	AP9100789	28.27	24	AP9100922	28.26	1

Code	No. table	Pos.	Code	No. table	Pos.	Code	No. table	Pos.
AP9100930	28.11	15	AP9150067	29.46	3	AP9150157	29.35	3
AP9100931	28.11	16	AP9150068	29.46	10	AP9150158	29.35	4
AP9100936	28.31	5	AP9150069	29.46	7	AP9150159	29.35	14
AP9100939	28.17	8	AP9150070	29.46	8	AP9150160	29.35	17
AP9100940	28.17	9	AP9150071	29.35	1	AP9150161	29.35	19
AP9100941	28.17	11	AP9150072	29.46	12	AP9150162	29.35	6
AP9100945	28.29	4	AP9150073	29.46	5	AP9150166	29.36	19
AP9100948	28.18	33	AP9150074	29.35	20	AP9150167	29.36	20
AP9100950	28.12	15	AP9150075	29.35	15	AP9150168	29.36	8
AP9100951	28.12	17	AP9150076	29.35	13	AP9150169	29.36	9
AP9100952	28.07	4	AP9150078	29.33	28	AP9150170	29.36	11
AP9100952	28.07	5	AP9150079	29.33	1	AP9150171	29.36	12
AP9100953	28.07	5	AP9150080	29.33	1	AP9150172	29.36	16
AP9100959	28.30	30	AP9150089	29.33	1	AP9150173	29.36	14
AP9100963	28.03	13	AP9150090	29.51	1	AP9150174	28.12	2
AP9100964	28.03	2	AP9150091	29.46	16	AP9150174	29.33	19
AP9100965	28.29	20	AP9150093	29.46	15	AP9150174	29.39	19
AP9100966	28.11	23	AP9150094	29.34	12	AP9150180	29.53	1
AP9100967	28.11	22	AP9150096	29.42	7	AP9150181	29.39	15
AP9100968	28.04	15	AP9150096	29.43	7	AP9150184	29.46	18
AP9100969	28.18	11	AP9150101	29.42	8	AP9150190	29.49	10
AP9100976	28.28	24	AP9150101	29.43	8	AP9150191	29.49	18
AP9100994	28.31	5	AP9150102	29.42	9	AP9150194	29.49	19
AP9100997	28.30	31	AP9150102	29.43	9	AP9150195	29.49	15
AP9100998	29.33	36	AP9150104	29.40	4	AP9150196	29.49	1
AP9100999	29.39	21	AP9150106	29.40	8	AP9150203	29.51	7
AP9101000	28.30	2	AP9150107	29.40	9	AP9150203	29.51	7
AP9101001	28.19	17	AP9150109	29.33	29	AP9150203	29.51	7
AP9101008	29.52	5	AP9150110	29.39	10	AP9150203	29.51	7
AP9101009	29.52	6	AP9150111	29.39	9	AP9150204	29.53	8
AP9101010	29.52	7	AP9150112	29.39	2	AP9150205	29.53	6
AP9101011	29.52	8	AP9150113	29.39	3	AP9150207	29.51	6
AP9101012	29.52	9	AP9150114	29.39	5	AP9150207	29.51	6
AP9101013	29.52	10	AP9150115	29.33	16	AP9150207	29.51	6
AP9101014	29.52	11	AP9150116	29.33	15	AP9150207	29.51	6
AP9101017	28.19	18	AP9150117	29.33	17	AP9150208	29.51	9
AP9150003	29.46	13	AP9150118	29.34	22	AP9150209	29.51	3
AP9150004	29.46	1	AP9150118	29.34	22	AP9150210	29.37	9
AP9150006	29.45	5	AP9150118	29.34	22	AP9150216	29.47	2
AP9150007	29.38	4	AP9150118	29.34	22	AP9150216	29.48	2
AP9150008	29.39	6	AP9150118	29.34	7	AP9150217	29.35	11
AP9150008	29.39	6	AP9150119	29.50	4	AP9150218	29.48	18
AP9150009	29.39	7	AP9150120	29.39	11	AP9150220	29.45	8
AP9150010	29.39	8	AP9150121	29.39	12	AP9150231	29.42	18
AP9150011	29.42	16	AP9150127	29.37	11	AP9150232	29.49	20
AP9150011	29.43	16	AP9150132	29.50	6	AP9150233	29.44	11
AP9150012	29.42	17	AP9150133	29.42	15	AP9150233	29.44	11
AP9150012	29.43	17	AP9150133	29.43	15	AP9150233	29.44	11
AP9150018	29.37	10	AP9150138	29.42	6	AP9150233	29.44	11
AP9150019	29.37	1	AP9150140	29.42	20	AP9150234	29.49	8
AP9150022	29.40	1	AP9150140	29.43	20	AP9150235	29.49	12
AP9150023	29.40	2	AP9150141	29.42	19	AP9150236	29.37	13
AP9150024	29.40	5	AP9150141	29.43	19	AP9150237	29.48	18
AP9150025	29.40	6	AP9150142	29.43	18	AP9150238	29.45	3
AP9150028	29.40	3	AP9150143	29.41	1	AP9150239	29.33	1
AP9150040	29.49	5	AP9150145	29.33	4	AP9150246	29.48	12
AP9150043	29.46	4	AP9150146	29.33	2	AP9150247	29.48	9
AP9150044	29.45	6	AP9150147	29.34	9	AP9150248	29.48	8
AP9150048	29.45	1	AP9150147	29.34	9	AP9150249	29.48	6
AP9150051	29.45	7	AP9150147	29.34	9	AP9150250	29.48	3
AP9150060	29.46	11	AP9150147	29.34	9	AP9150252	29.47	9
AP9150061	29.46	17	AP9150148	29.34	8	AP9150253	29.47	8
AP9150062	29.46	14	AP9150149	29.33	9	AP9150254	29.47	6
AP9150063	29.45	2	AP9150150	29.34	11	AP9150255	29.47	3
AP9150064	29.46	9	AP9150151	29.36	22	AP9150256	29.47	1
AP9150065	29.37	7	AP9150152	29.34	1	AP9150258	29.48	12
AP9150066	29.37	8	AP9150153	29.34	6	AP9150259	29.48	9

Code	No. table	Pos.	Code	No. table	Pos.	Code	No. table	Pos.
AP9150260	29.48	8	AP9150363	29.48	16	AP9150448	29.42	5
AP9150261	29.48	6	AP9150364	29.42	2	AP9150450	29.43	5
AP9150262	29.48	3	AP9150364	29.43	2	AP9150450	29.43	5
AP9150263	29.48	1	AP9150364	29.46	22	AP9150454	29.37	12
AP9150265	29.47	9	AP9150365	29.46	21	AP9150455	29.37	12
AP9150266	29.47	8	AP9150366	29.44	2	AP9150456	29.33	11
AP9150267	29.47	7	AP9150367	29.49	7	AP9150457	29.33	11
AP9150267	29.48	7	AP9150369	29.51	8	AP9150461	29.35	10
AP9150268	29.47	6	AP9150370	29.48	11	AP9150462	29.46	24
AP9150269	29.47	3	AP9150372	29.42	10	AP9150463	29.35	18
AP9150270	29.47	1	AP9150372	29.43	10	AP9150464	29.50	8
AP9150272	29.44	1	AP9150373	29.49	4	AP9150469	29.39	14
AP9150272	29.44	1	AP9150374	29.49	3	AP9150471	29.33	22
AP9150272	29.44	1	AP9150375	29.46	2	AP9150472	29.36	23
AP9150272	29.44	1	AP9150376	29.35	8	AP9150473	29.34	17
AP9150273	29.44	4	AP9150377	29.35	2	AP9150474	29.50	10
AP9150280	29.36	3	AP9150380	29.53	7	AP9150474	29.50	10
AP9150281	29.36	1	AP9150382	29.48	17	AP9150474	29.50	10
AP9150284	29.49	6	AP9150384	29.49	2	AP9150474	29.50	10
AP9150285	29.44	9	AP9150385	29.35	12	AP9150474	29.50	11
AP9150291	29.35	9	AP9150387	29.44	3	AP9150474	29.50	11
AP9150292	29.50	7	AP9150389	29.44	12	AP9150474	29.50	11
AP9150294	29.47	10	AP9150390	29.44	8	AP9150474	29.50	11
AP9150294	29.48	13	AP9150391	29.42	11	AP9150476	29.36	10
AP9150296	29.48	10	AP9150391	29.43	11	AP9150477	29.36	15
AP9150297	29.47	4	AP9150393	29.45	9	AP9150479	29.46	20
AP9150297	29.48	4	AP9150394	29.33	5	AP9150483	29.44	6
AP9150299	29.44	10	AP9150395	29.32	14	AP9150484	29.50	1
AP9150300	29.42	16	AP9150395	29.34	13	AP9150489	29.33	6
AP9150300	29.43	16	AP9150396	29.35	16	AP9150490	29.32	15
AP9150301	29.38	4	AP9150397	29.35	21	AP9150490	29.32	15
AP9150302	29.47	5	AP9150398	29.36	17	AP9150491	29.32	15
AP9150302	29.48	5	AP9150401	29.53	5	AP9150491	29.32	15
AP9150303	29.42	4	AP9150402	29.37	5	AP9150492	29.32	16
AP9150303	29.43	4	AP9150410	28.12	4	AP9150493	29.32	17
AP9150304	29.43	6	AP9150410	29.34	15	AP9150500	29.51	10
AP9150311	29.48	1	AP9150417	29.41	1	AP9150501	29.42	1
AP9150312	29.39	17	AP9150418	29.41	1	AP9150502	29.43	1
AP9150315	29.37	10	AP9150419	29.41	1	AP9150506	29.42	13
AP9150317	29.39	1	AP9150420	29.41	1	AP9150506	29.43	13
AP9150321	29.36	13	AP9150421	29.41	1	AP9150507	29.42	14
AP9150323	29.37	12	AP9150422	29.41	1	AP9150508	29.43	14
AP9150324	29.33	11	AP9150423	29.41	1	AP9150509	29.39	6
AP9150327	29.42	15	AP9150424	29.41	1	AP9150509	29.39	6
AP9150327	29.43	15	AP9150425	29.41	1	AP9150522	29.34	19
AP9150343	29.38	5	AP9150426	29.41	1	AP9150524	29.34	5
AP9150344	29.33	35	AP9150427	29.41	1	AP9150525	29.37	6
AP9150346	29.33	23	AP9150428	29.41	1	AP9150526	29.33	32
AP9150347	29.36	4	AP9150429	29.41	1	AP9150527	29.37	1
AP9150348	29.44	5	AP9150430	29.41	1	AP9150530	28.19	1
AP9150349	28.12	3	AP9150431	29.41	1	AP9150531	28.19	1
AP9150349	29.33	20	AP9150432	29.41	1	AP9150533	29.33	21
AP9150349	29.33	30	AP9150433	29.41	1	AP9150538	29.42	1
AP9150349	29.39	16	AP9150434	29.41	1	AP9150539	29.43	1
AP9150349	29.39	20	AP9150435	29.33	8	AP9150545	29.33	37
AP9150350	29.33	18	AP9150436	29.37	4	CM235801	28.14	15
AP9150351	29.34	18	AP9150437	29.37	3	CM235802	28.14	16
AP9150352	29.50	5	AP9150439	29.33	26	CM236001	28.14	17
AP9150353	29.33	10	AP9150440	29.33	12	CM236002	28.14	18
AP9150355	29.36	21	AP9150441	29.33	13	CM2362045	29.32	1
AP9150356	29.34	16	AP9150442	29.33	14	CM2362055	29.32	1
AP9150357	29.48	15	AP9150443	29.35	22	CM2363045	29.32	1
AP9150358	29.49	16	AP9150443	29.50	10	CM2363055	29.32	1
AP9150359	29.49	17	AP9150443	29.50	10	CM238602	29.42	5
AP9150360	29.47	12	AP9150443	29.50	10	CM238603	29.42	5
AP9150361	29.48	14	AP9150443	29.50	10	CM238604	29.42	5
AP9150362	29.47	11	AP9150446	29.51	4	CM238605	29.42	5

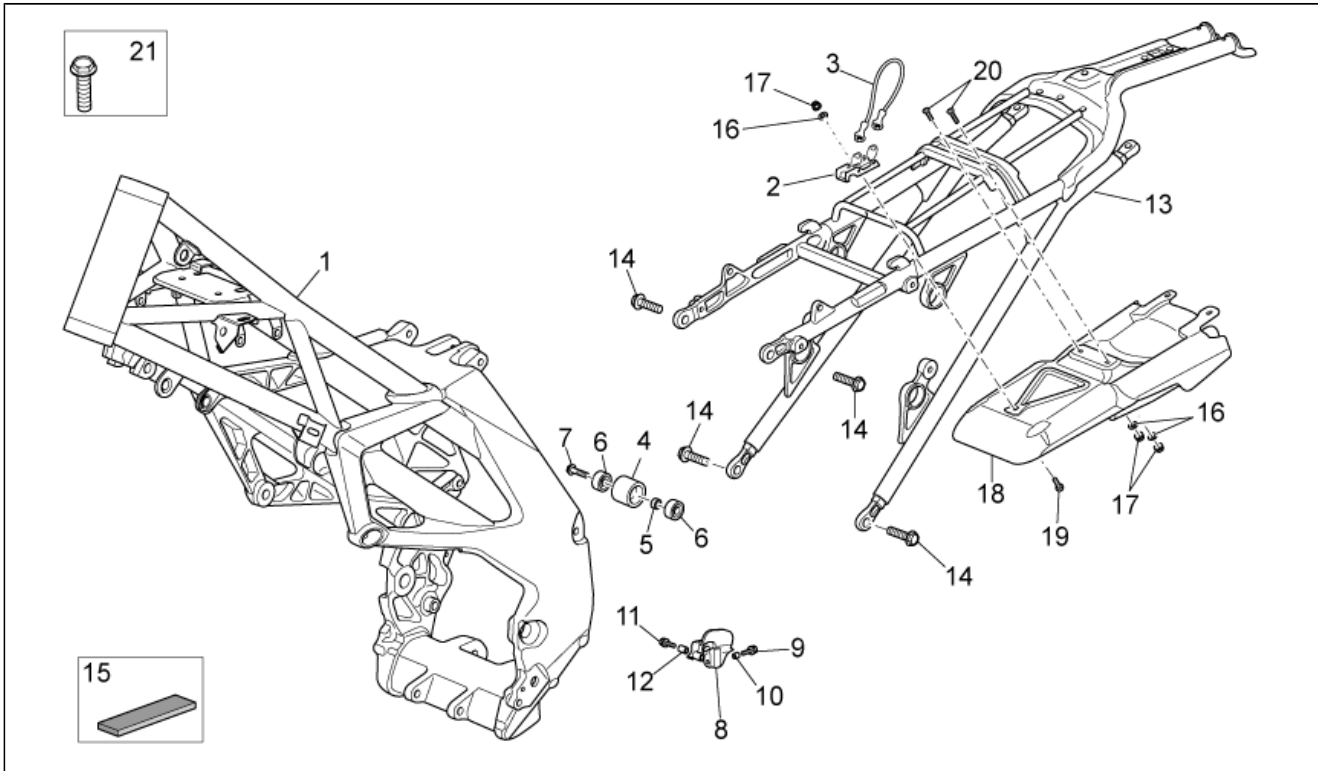


RXV-SXV 450-550
4234 - RXV-SXV 450-550 Pikes Peak 2009

Chassis prefix: ZD4VPL00, ZD4VPT00,
ZD4VPX00, ZD4VSR00, ZD4VSS00
Engine prefix:

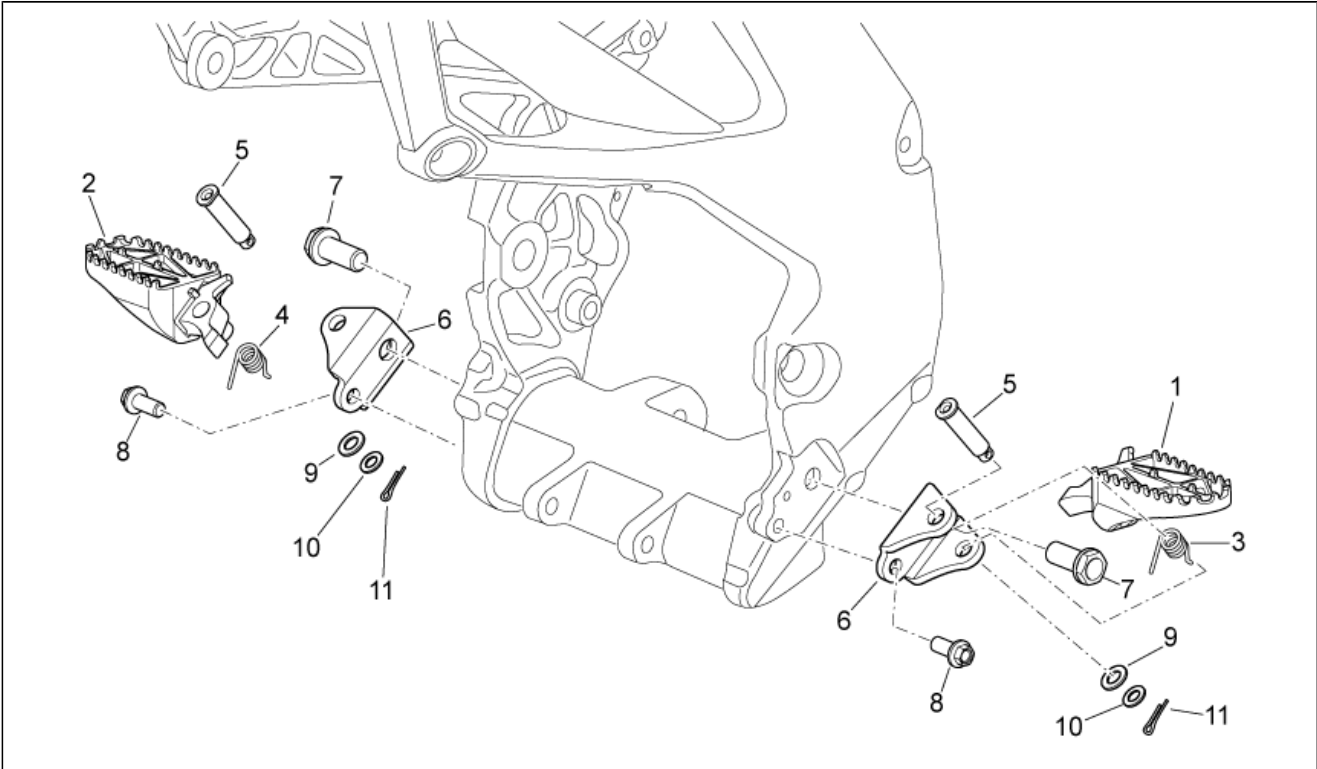
Code	No. table	Pos.
CM238606	29.42	5
GU01103090	28.11	17

Group	FRAME
Code	28.01
Description	Frame
Service	1



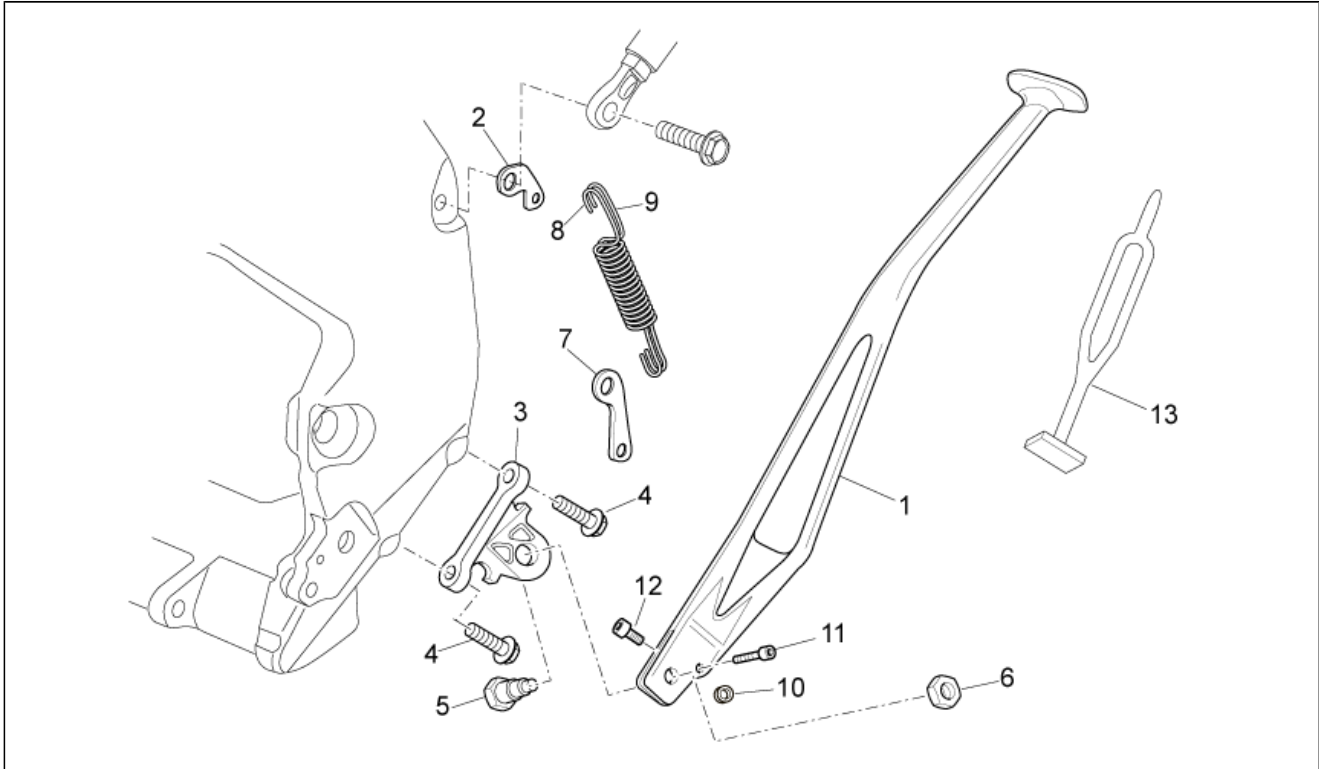
Pos.	Code	Description	Qty	Variants
1	853512	Frame	1	Technical Specifications: Enduro version[RX]
1	853513	Frame	1	Technical Specifications: Motard version[SX]
2	AP9100766	Plate	1	
3	AP9100770	Wire	1	
4	AP9100173	Black chain guide roller	1	
5	AP9100174	Spacer	1	
6	AP9100175	Ball bearing 8x22x7	2	
7	853534	Screw w/ flange M8x35 titan	1	
7	AP8152289	Screw w/ flange	1	
8	AP9100688	Lower chain guide plate	1	
9	AP8152272	Screw w/ flange	1	
10	AP8120253	Spacer *	1	
11	AP8152275	Screw w/ flange	1	
12	AP8120313	Spacer H11,5	1	Technical Specifications: Motard version[SX]
12	AP9100724	Spacer	1	Technical Specifications: Enduro version[RX]
13	AP9100065	Saddle support	1	Technical Specifications: Enduro version[RX]
13	AP9100315	Saddle support	1	Technical Specifications: Motard version[SX]
14	AP9100389	Screw w/ flange M10x1,25	4	
15	AP8144538	Gasket	2	
16	AP8150159	Washer 4,3x16*	3	
17	AP8150204	Nut M4	3	
18	AP9100243	Heat protection	1	
19	AP9100769	Hex socket screw M4x10 inox	1	
20	AP9100768	Screw M4x12	2	

Group	FRAME
Code	28.02
Description	Foot rests
Service	1



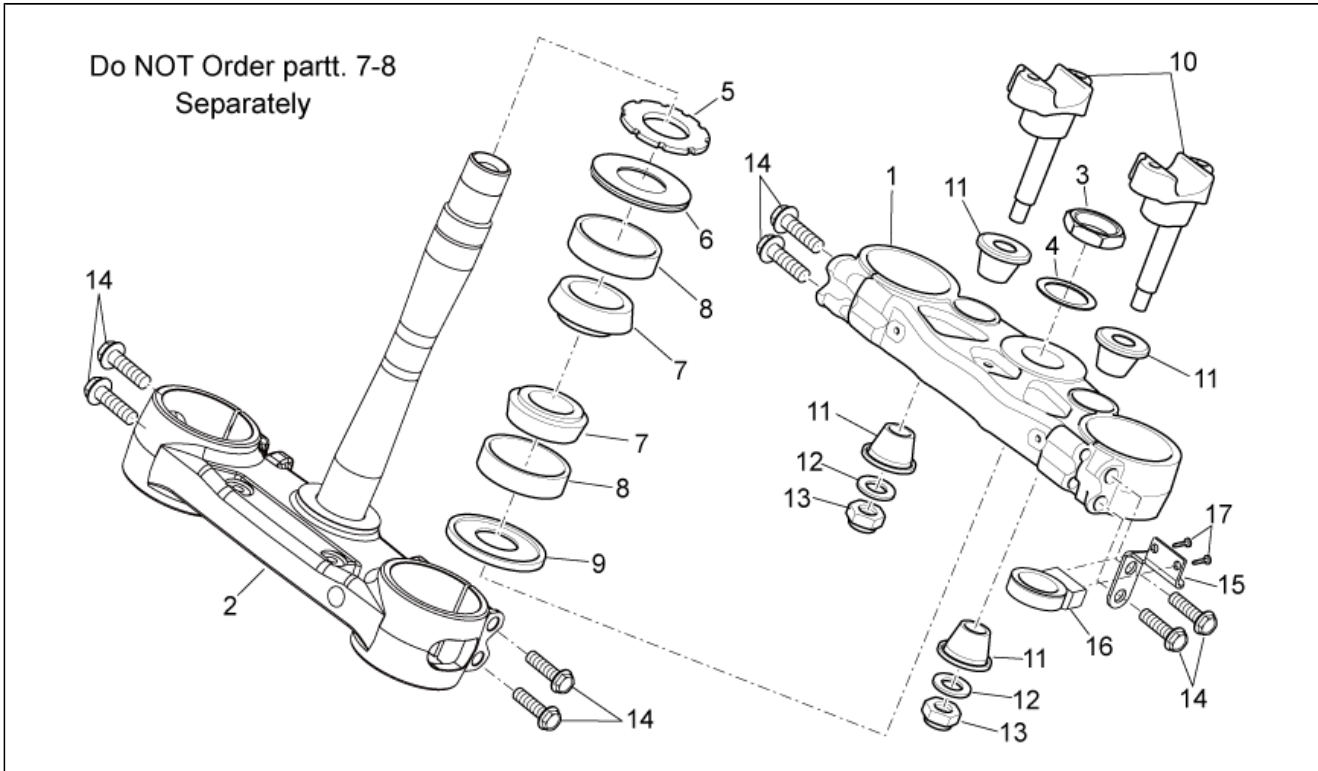
Pos.	Code	Description	Qty	Variants
1	AP9100193	LH footrest	1	
2	AP9100194	RH footrest	1	
3	AP9100195	Spring LH	1	
4	AP9100196	Spring RH	1	
5	AP9100197	Pin	2	
6	AP9100275	Footrest support	2	
7	AP9100390	Screw M12x1,25	2	
8	AP8152286	Screw w/ flange M8x20	2	
9	AP8152176	Washer 10,5X18X2*	2	
10	AP8150017	Washer 8,4x16x1,6*	2	
11	AP8101606	Split pin	2	

Group	FRAME
Code	28.03
Description	Central stand
Service	1



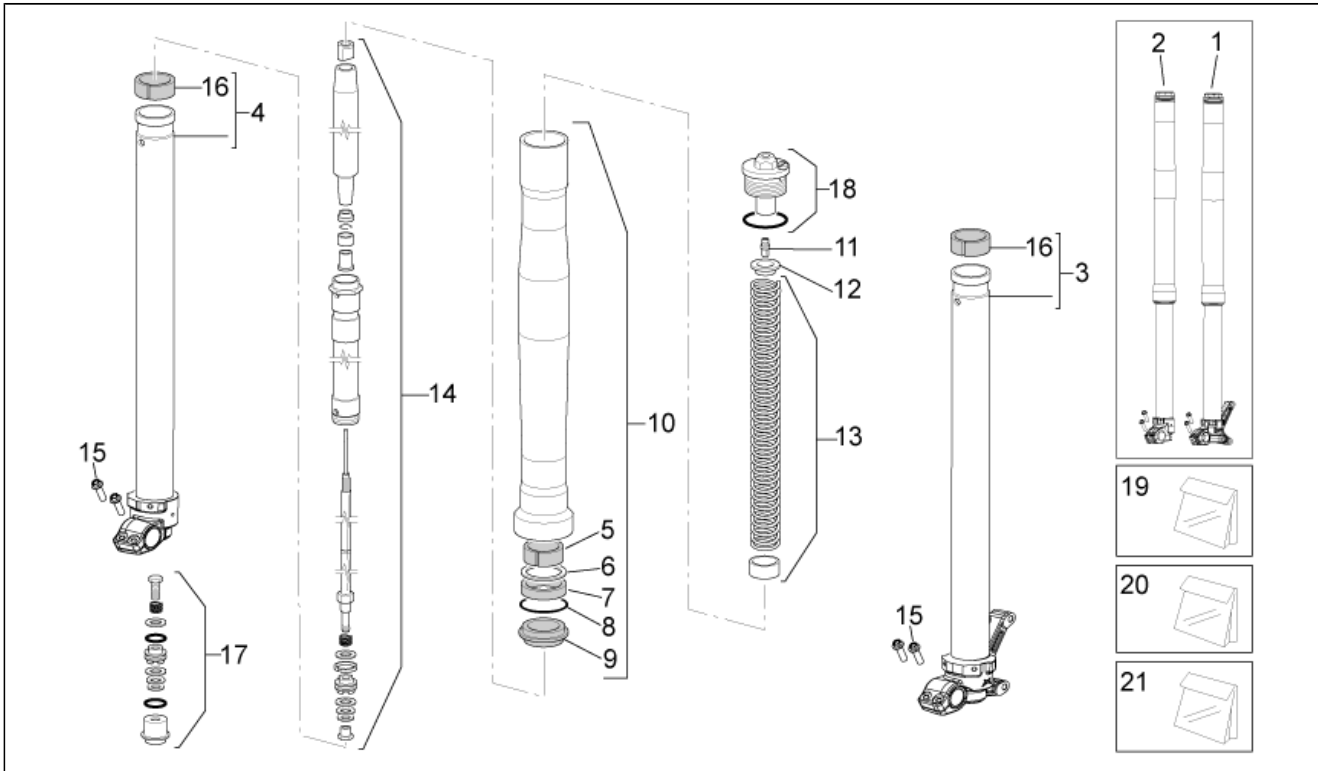
Pos.	Code	Description	Qty	Variants
1	AP9100834	Central stand	1	Technical Specifications: Enduro version[RX]
1	AP9100835	Central stand	1	Technical Specifications: Motard version[SX]
2	AP9100964	Plate	1	
3	AP9100419	Stand plate	1	
4	851280	Screw w/ flange	2	
5	AP8161006	Central stand fixing screw	1	
6	AP8152001	Low nut M10x1,25*	1	
7	AP9100223	Lateral stand plate	1	
8	AP9100668	Outer spring	1	
9	AP9100669	Inner spring	1	
10	AP9100836	Bush 8x5x7,8	1	
11	AP8150051	Hex socket screw	1	
12	AP8152123	Hex socket screw	1	
13	AP9100963	Fixing snap	1	

Group	FRAME
Code	28.04
Description	Steering I
Service	1



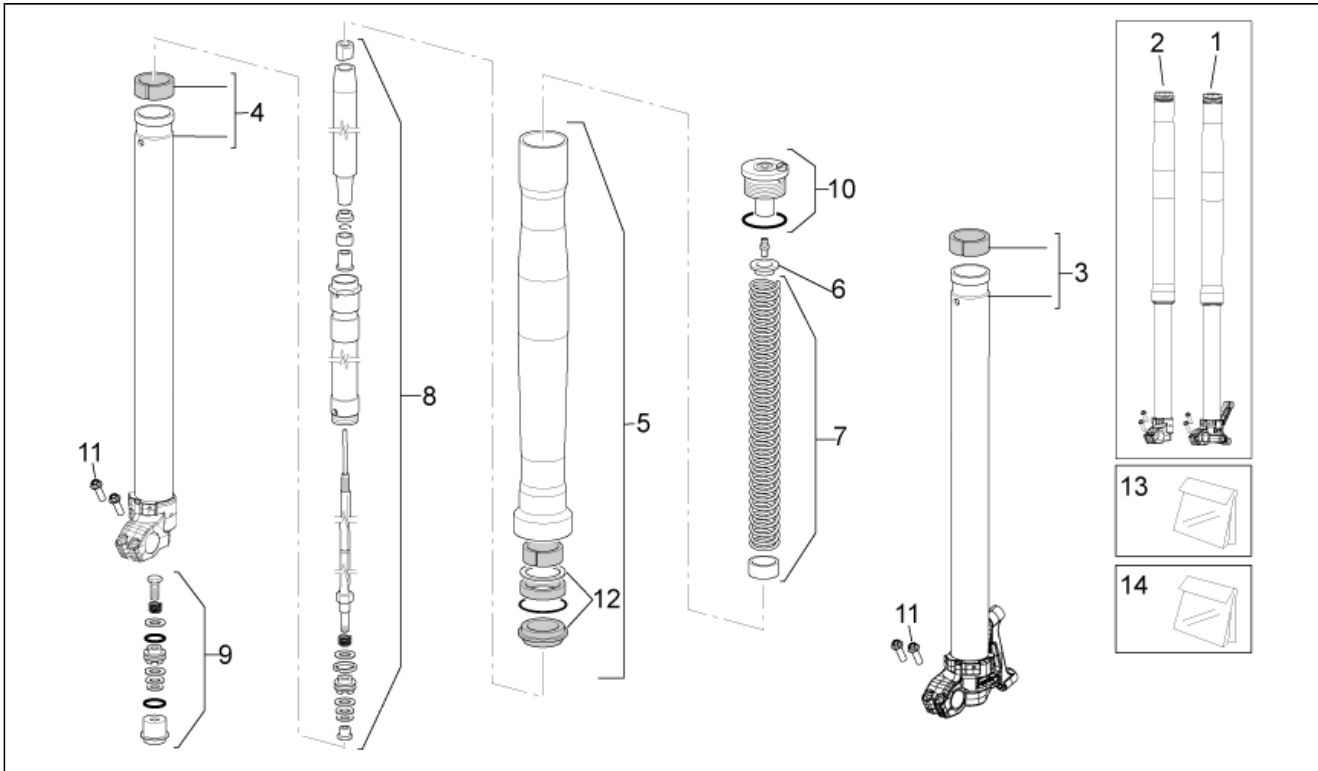
Pos.	Code	Description	Qty	Variants
1	AP9100542	Upper plate	1	
2	AP9100437	Stem base	1	Technical Specifications: Motard version[SX]
2	AP9100680	Stem base	1	Technical Specifications: Enduro version[RX]
3	AP9100026	Spindle nut	1	
4	AP9100028	Washer 26,5x36x1	1	
5	AP9100021	Ring nut	1	
6	AP9100204	Upper Gasket ring	1	
7	851029	Fifth wheel	2	
8	851030	Bearing	2	
9	AP9100205	Lower Gasket ring	1	
10	AP9100293	Lower U-bolt	2	
11	AP9100412	Silent-block	4	
12	AP9100776	Washer 10.1x23x2.5	2	
13	AP9100439	Low self-locking nut M10x1,25	2	
14	AP8152290	Screw w/ flange	8	
15	AP9100968	Fairlead plate	1	
16	AP8102208	Front brake hose cable guide	1	
17	AP8150246	Screw	2	

Group	FRAME
Code	28.05
Description	Front fork I
Service	1



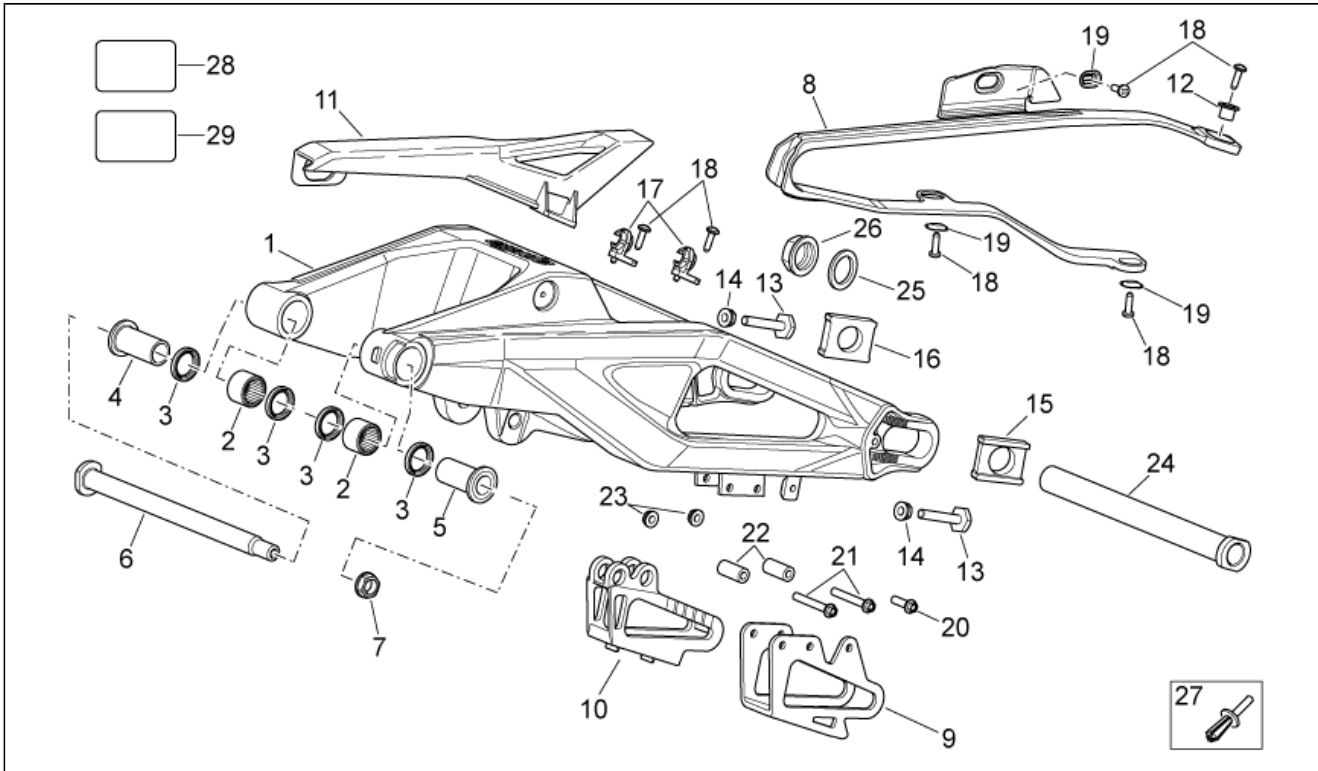
Pos.	Code	Description	Qty	Variants
1	851291	LH hub cpl.	1	Technical Specifications: Enduro version[RX]
2	851290	RH hub cpl.	1	Technical Specifications: Enduro version[RX]
3	AP9100847	Hub+LH fork leg	1	Technical Specifications: Enduro version[RX]
4	AP9100848	Hub+RH fork leg	1	Technical Specifications: Enduro version[RX]
5	AP9100855	Upper bush 45x15	2	Technical Specifications: Enduro version[RX]
6	AP8163094	Cup 58x46x3	2	Technical Specifications: Enduro version[RX]
7	AP8163095	Gasket ring 45x58x11	2	Technical Specifications: Enduro version[RX]
8	AP8163096	Stop ring D.63	2	Technical Specifications: Enduro version[RX]
9	AP8163097	Dust cover D.45	2	Technical Specifications: Enduro version[RX]
10	AP9100849	Sleeve cpl.	2	Technical Specifications: Enduro version[RX]
11	AP8163370	Dowel+O-ring	2	Technical Specifications: Enduro version[RX]
12	AP9100850	Ring spring d.40	2	Technical Specifications: Enduro version[RX]
13	AP9100851	Spring kit	2	Technical Specifications: Enduro version[RX]
14	AP9100852	Plunger, complete	2	Technical Specifications: Enduro version[RX]
15	AP8152280	Screw w/ flange	4	Technical Specifications: Enduro version[RX]
16	AP9100856	Lower bush 45x20	2	Technical Specifications: Enduro version[RX]
17	AP9100853	Valve d.45	2	Technical Specifications: Enduro version[RX]
18	AP9100854	Plug cpl. d.45	2	Technical Specifications: Enduro version[RX]
19	AP9100857	Seal rings fork kit	1	Technical Specifications: Enduro version[RX]
20	AP9100858	Gaskets set d.45	1	Technical Specifications: Enduro version[RX]
21	AP9100859	Bushes kit	1	Technical Specifications: Enduro version[RX]

Group	FRAME
Code	28.06
Description	Front fork II
Service	1



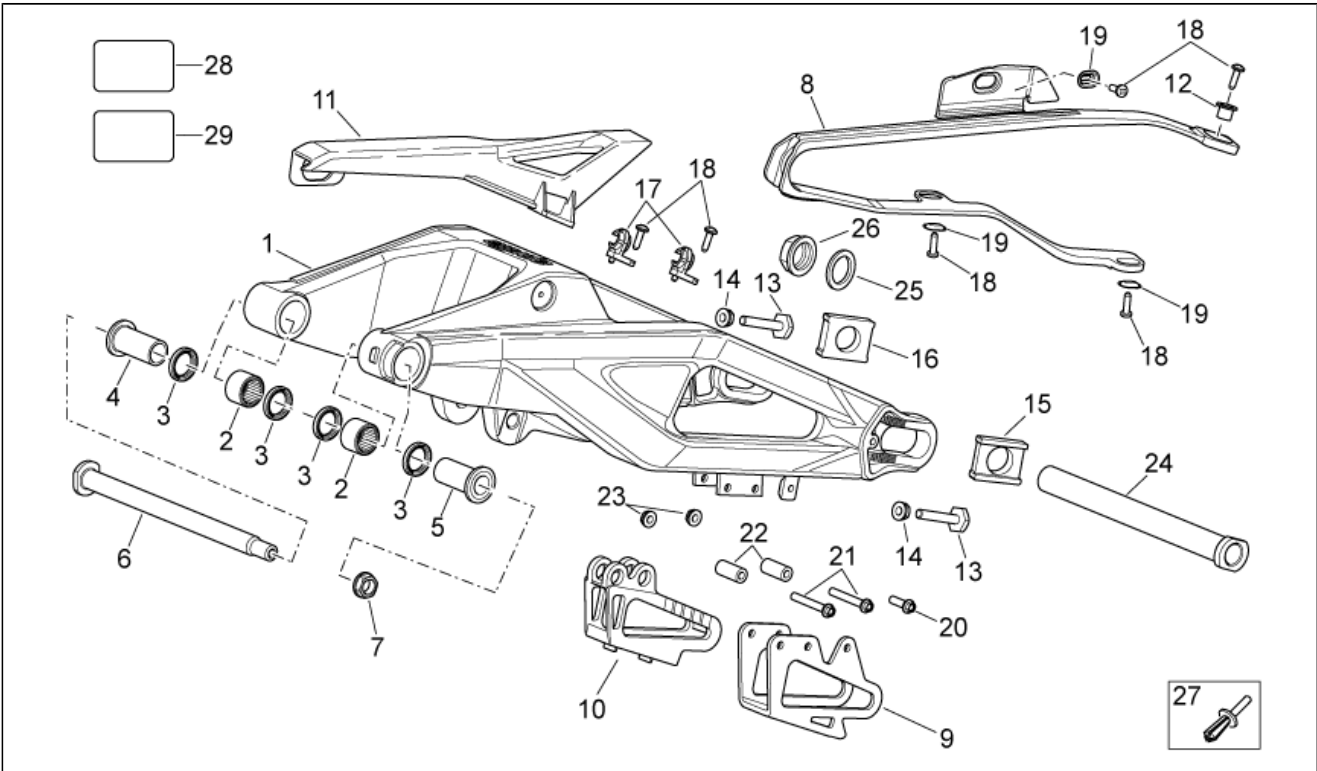
Pos.	Code	Description	Qty	Variants
1	AP9100397	LH hub cpl.	1	Technical Specifications: Motard version[SX]
2	AP9100398	RH hub cpl.	1	Technical Specifications: Motard version[SX]
3	AP9100869	Hub+LH fork leg	1	Technical Specifications: Motard version[SX]
4	AP9100870	Hub+RH fork leg	1	Technical Specifications: Motard version[SX]
5	AP9100871	Sleeve cpl.	2	Technical Specifications: Motard version[SX]
6	AP9100872	Ring spring D.40	2	Technical Specifications: Motard version[SX]
7	AP9100873	Spring kit	2	Technical Specifications: Motard version[SX]
8	AP9100874	Plunger, complete	2	Technical Specifications: Motard version[SX]
9	AP9100875	Valve D.45	2	Technical Specifications: Motard version[SX]
10	AP9100876	Plug cpl. D.45	2	Technical Specifications: Motard version[SX]
11	851280	Screw w/ flange	4	Technical Specifications: Motard version[SX]
12	AP9100877	Dust cover+oil seal kit	1	Technical Specifications: Motard version[SX]
13	AP9100878	Gaskets set d.48	1	Technical Specifications: Motard version[SX]
14	AP9100879	Bushes kit	1	Technical Specifications: Motard version[SX]

Group	FRAME
Code	28.07
Description	Swing arm
Service	1



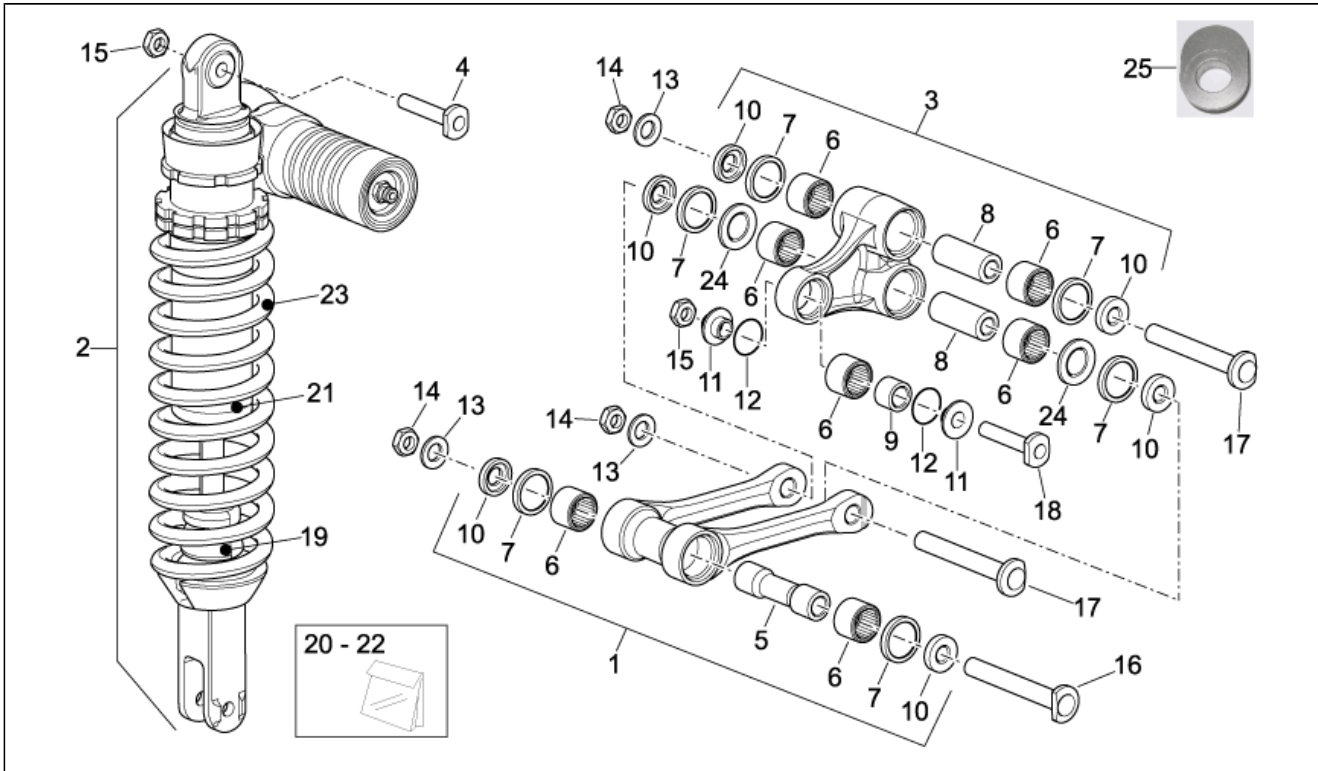
Pos.	Code	Description	Qty	Variants
1	AP9100104	Swing arm	1	Technical Specifications: Enduro version[RX]
1	AP9100120	Swing arm	1	Technical Specifications: Motard version[SX]
2	AP9100202	Roller cage 22x29x30	2	
3	AP9100203	Gasket ring 22x29x4	4	
4	AP9100952	Piston pin L=47,5	1	
5	AP9100952	Piston pin L=47,5	1	Technical Specifications: Enduro version[RX]
5	AP9100953	Piston pin L=59,5	1	Technical Specifications: Motard version[SX]
6	AP9100123	Rear swing arm pin M14 L=244	1	Technical Specifications: Enduro version[RX]
6	AP9100264	Rear swing arm pin M14 L=256	1	Technical Specifications: Motard version[SX]
7	AP8152244	DAX flange nut M14x1,5	1	
8	AP9100061	Sliding block	1	
9	AP9100060	Chain guide	1	Technical Specifications: Enduro version[RX], Motard version[SX]
10	AP9100109	Chain guide plate	1	
11	AP9100435	Chain guard	1	Technical Specifications: Enduro version[RX], Motard version[SX]
12	AP9100616	Bush	1	Technical Specifications: Enduro version[RX], Motard version[SX]
13	AP8152305	Chain tens.adjuster screw	2	
14	AP8152262	Low nut	2	
15	AP8144444	RH chain guide plate	1	
16	AP8144443	LH chain guide plate	1	
17	AP9100565	Brake hose cable guide	2	
18	AP8150515	Self-tapping screw	6	
19	AP8234020	Cup for shoe	3	
20	AP8152277	Screw w/ flange	1	
21	AP9100433	Screw w/ flange M6x50	2	
22	AP9100287	Bush	2	
23	AP9100434	Self-locking nut M6x1	2	

Group	FRAME
Code	28.07
Description	Swing arm
Service	1



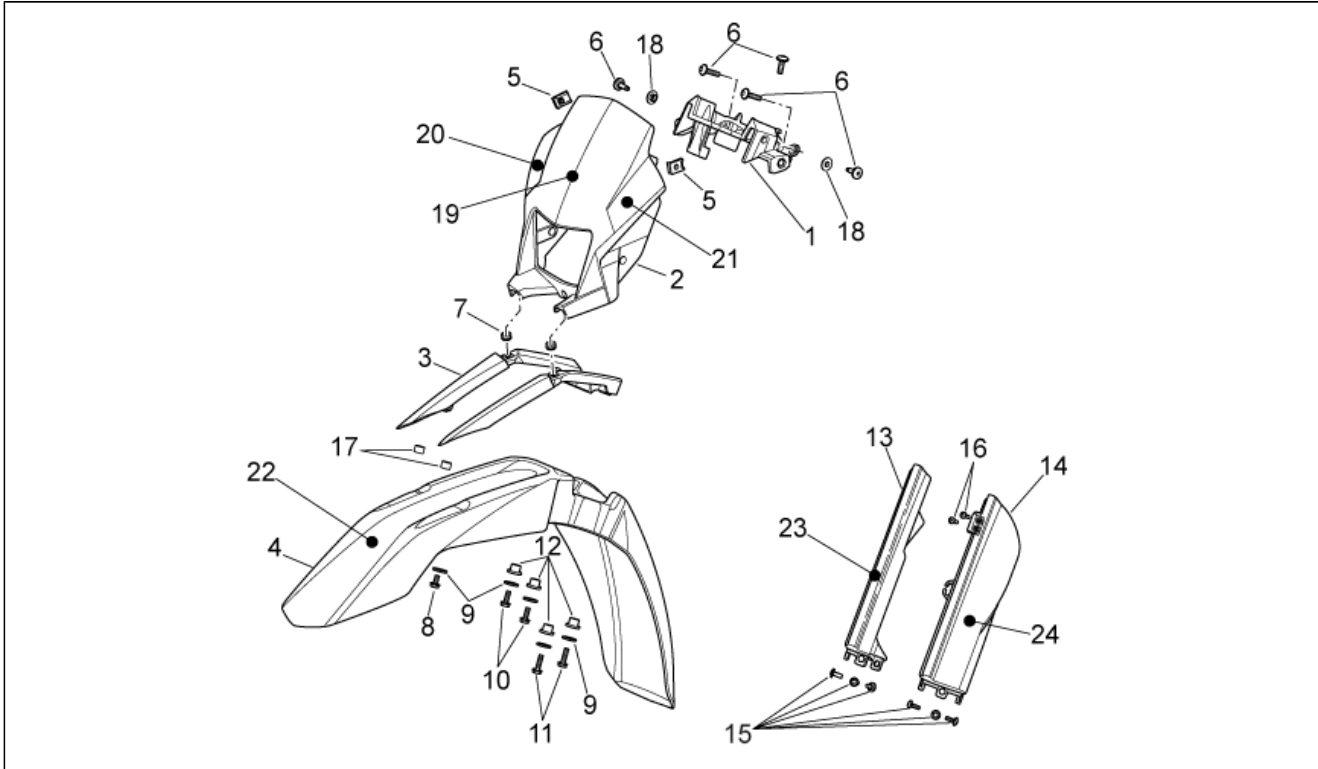
Pos.	Code	Description	Qty	Variants
24	AP9100221	Rear wheel spindle M25 L=266,5	1	Technical Specifications: Enduro version[RX]
24	AP9100270	Rear wheel spindle M25 L=318,5	1	Technical Specifications: Motard version[SX]
25	AP8152323	Washer 25,2x36x1	1	
26	AP8152324	Wheel spindle nut M25x1,5	1	
27	AP8202058	Plastic rivet, black	4	
28	851134	Tyre pressure decal	1	Technical Specifications: Enduro version[RX]
28	AP8187032	Tyre pressure decal	1	Technical Specifications: Motard version[SX]
29	AP8166680	Chain decal	1	

Group	FRAME
Code	28.08
Description	Rear shock absorber
Service	1



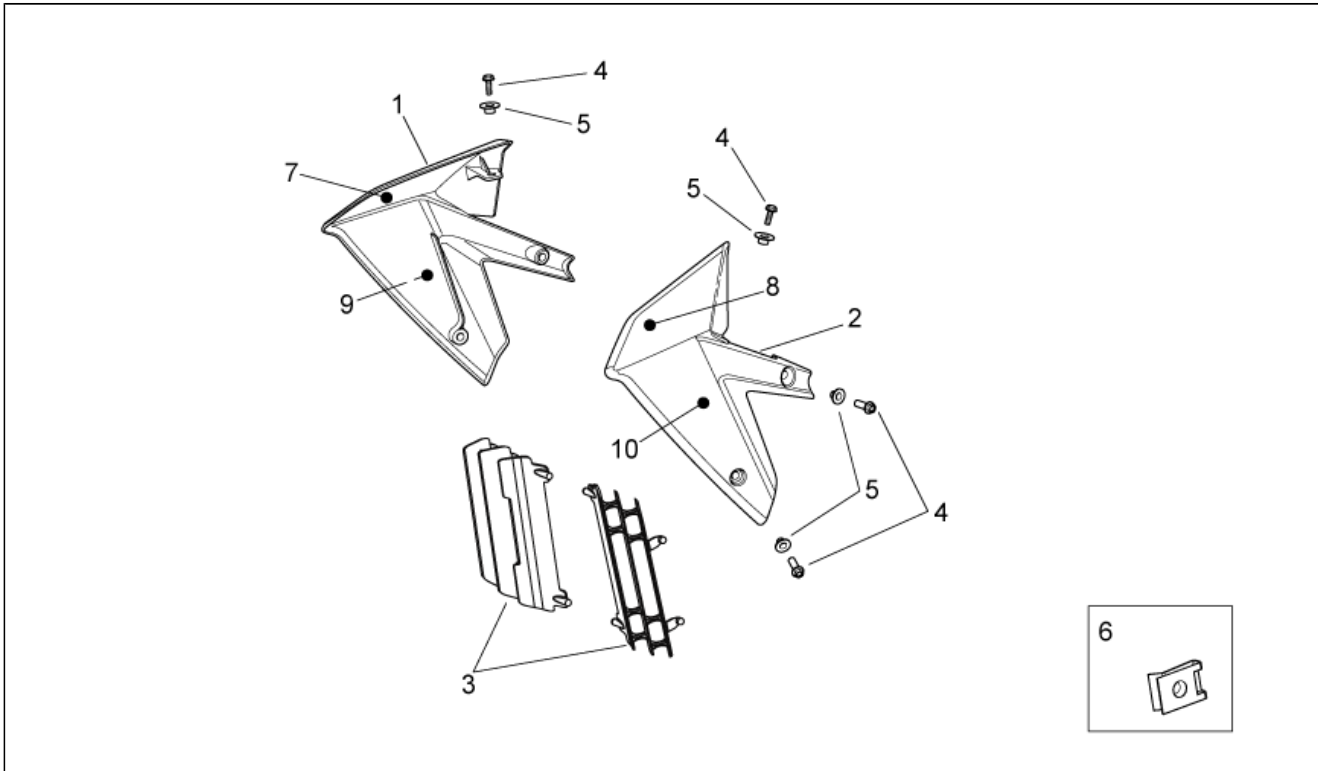
Pos.	Code	Description	Qty	Variants
1	AP9100176	Single conrod comp.	1	
2	851292	Rear shock absorber RXV	1	Technical Specifications: Enduro version[RX]
2	AP9100114	Rear shock absorber SXV	1	Technical Specifications: Motard version[SX]
3	AP9100180	Double conrod comp.	1	
4	AP9100007	Screw M10x1,25 L=53	1	
5	AP9100178	Piston pin	1	
6	AP9100181	Needle bearing 20x27x15	7	
7	AP9100177	Gasket ring 25x32x4	6	
8	AP9100184	Piston pin	2	
9	AP9100111	Spacer	1	
10	AP9100179	Spacer	6	
11	AP9100186	Outside spacer	2	
12	AP9100549	O-ring 1,5x24	2	
13	AP8152018	Washer 12,2x22x2	3	
14	AP9100442	Low self-locking nut M12x1,25	3	
15	AP9100439	Low self-locking nut M10x1,25	2	
16	AP9100604	Screw M12x1,25 L=120	1	
17	AP9100289	Screw M12x1,25 L=95	2	
18	AP9100208	Screw M10x1,25 L=44	1	
19	AP9100808	Drift	1	
20	AP9100814	Gasket set	1	Technical Specifications: Enduro version[RX]
20	AP9100815	Gasket set	1	Technical Specifications: Motard version[SX]
21	AP9100817	Sleeve unit	1	
22	AP9100820	Sleeve gasket set	1	
23	AP9100826	Spring	1	Technical Specifications: Enduro version[RX]
23	AP9100827	Spring	1	Technical Specifications: Motard version[SX]
24	AP9100182	Flat washer 31x20,2x1,4	2	

Group	FRAME
Code	28.09
Description	Front body I
Service	1



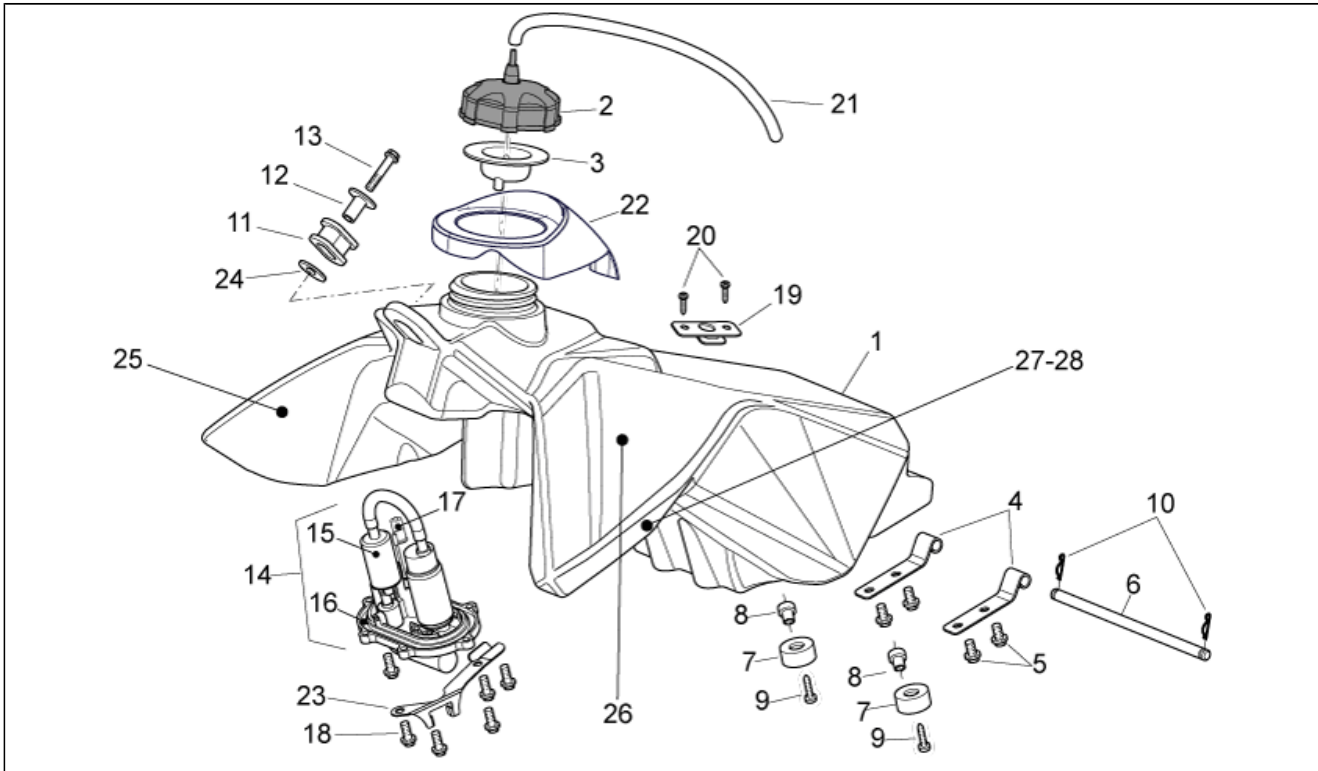
Pos.	Code	Description	Qty	Variants
1	AP9100517	Socket support	1	
2	85504700XN4	Headlight support, black	1	Technical Specifications: Without decals applied[ND]
3	858388	Tie rod	1	
4	AP8156343	Front mudguard, red	1	Technical Specifications: Without decals applied[ND]
5	AP8102375	Clip	2	
6	AP8152339	Screw w/ flange	5	
7	AP8120405	Rubber spacer *	2	
8	AP8152277	Screw w/ flange	2	
9	AP8150015	Washer 6,6x18x1,6*	6	
10	AP8152278	Screw w/ flange	2	
11	AP8152283	Screw w/ flange	2	
12	AP9100501	T bush 20x0,5x3,5	4	
13	AP9100441	RH sleeve guard, black	1	
14	AP9100440	LH sleeve guard, black	1	
15	AP9100548	Screw complete M6x1	6	
16	AP8150246	Screw	2	
17	AP9100053	Bush d.10-h.3,5	2	
18	AP8121032	Bush	2	
19	895040	Windshield decal	1	Technical Specifications: Enduro version[RX]
19	895066	Windshield decal	1	Technical Specifications: Motard version[SX]
20	895041	RH Windshield decal	1	
21	895042	LH Windshield decal	1	
22	890575	Front mudguard decal	1	
23	894652	Guard decal	1	
24	894653	Guard decal	1	

Group	FRAME
Code	28.10
Description	Front body II
Service	1



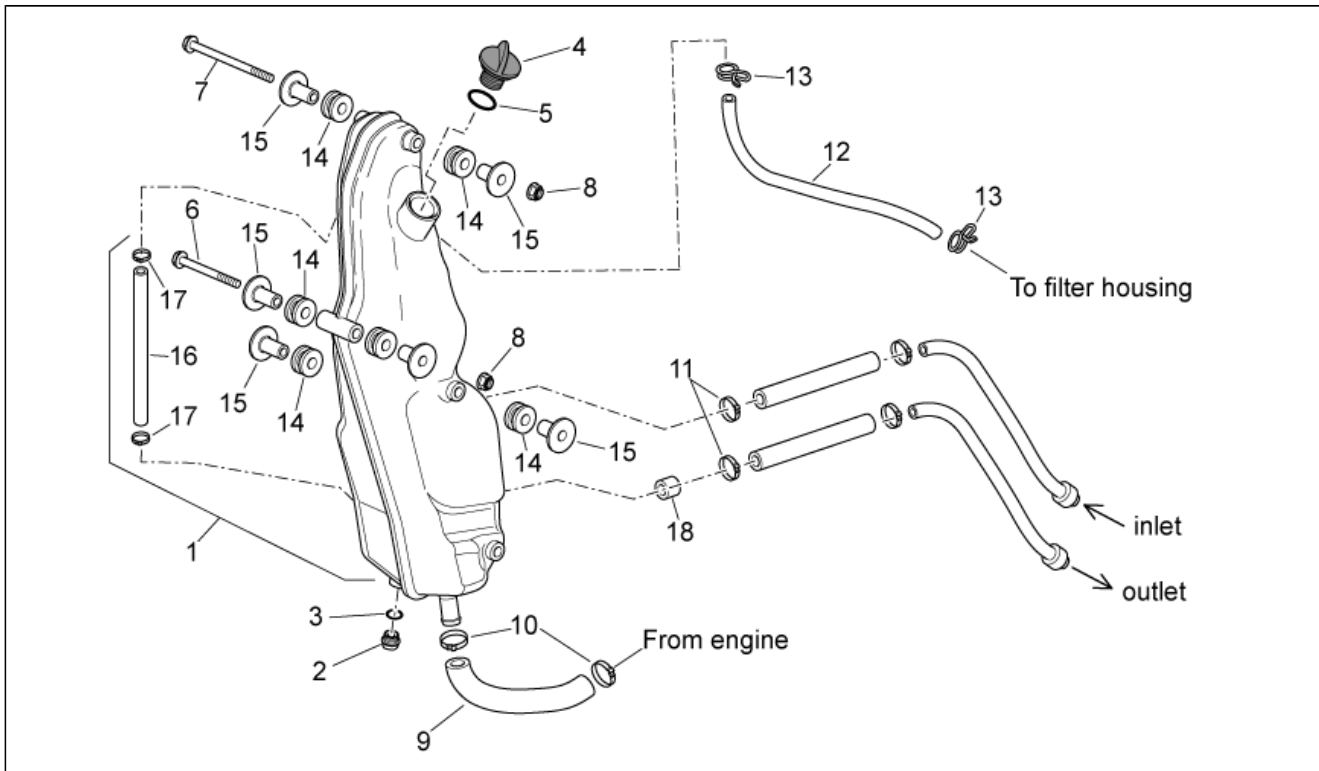
Pos.	Code	Description	Qty	Variants
1	AP8184562	RH air duct	1	Technical Specifications: Without decals applied[ND]
2	AP8184563	LH air duct	1	Technical Specifications: Without decals applied[ND]
3	AP9100366	Water cooler grille	2	
4	AP9100645	Screw w/ flange M6x16 inox	6	
5	AP9100053	Bush d.10-h.3,5	6	
6	AP8102376	Clip M6	6	
7	894636	Up.RH air duct, decal	1	
8	894637	Up.LH air duct, decal	1	
9	894638	Lo.RH air duct, decal	1	
10	894639	Lo.LH air duct, decal	1	

Group	FRAME
Code	28.11
Description	Fuel tank
Service	1



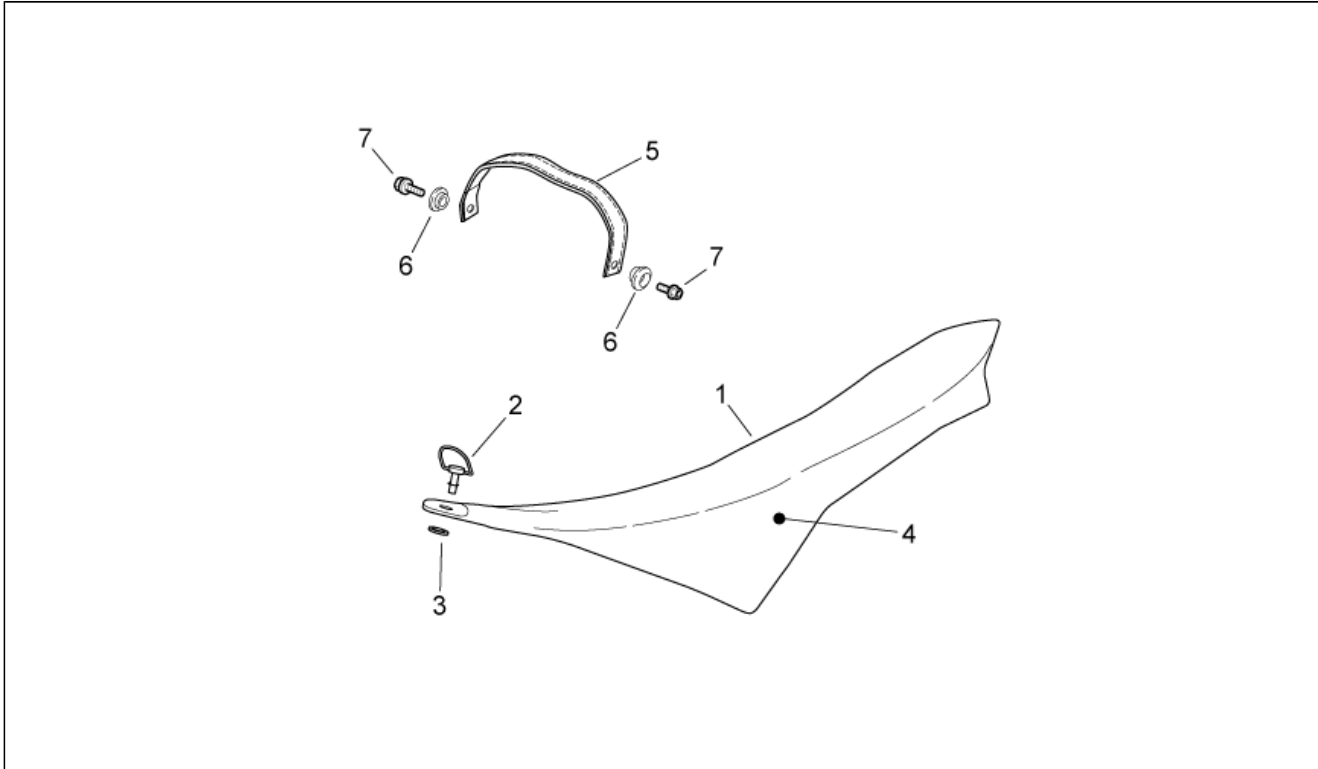
Pos.	Code	Description	Qty	Variants
1	855846	Fuel tank	1	Technical Specifications: Without decals applied[ND]
2	AP8220620	Plug	1	
3	856932	Gasket	1	
4	AP9100080	Plate	2	
5	AP8152277	Screw w/ flange	4	
6	AP9100078	Pin	1	
7	AP9100767	Rubber spacer 26x12,2	2	
8	AP8121811	T bush	2	
9	AP8150521	Hex socket screw	2	
10	AP8201431	Split pin *	2	
11	AP9100082	Drift	1	
12	AP9100081	Bush	1	
13	AP8152281	Screw w/ flange	1	
14	AP9100416	Fuel pump cpl.	1	
15	AP9100930	Fuel filter	1	
16	AP9100931	Gasket	1	
17	GU01103090	Thermistor	1	
18	AP8152273	Screw w/ flange	6	
19	AP9100415	Plate	1	
20	AP8150413	Self-tap screw 3,9x14	2	
21	AP8220402	Pipe 5x9	1	
22	AP9100967	Fuel tank cover	1	
23	AP9100966	Plate	1	
24	AP9100375	Washer 24,8x6,2x1	1	
25	894642	Up.RH Fuel tank decal	1	
26	894643	Up.LH Fuel tank decal	1	
27	894674	Lo.RH Fuel tank decal	1	
28	894675	Lo.LH Fuel tank decal	1	

Group	FRAME
Code	28.12
Description	Oil tank
Service	1



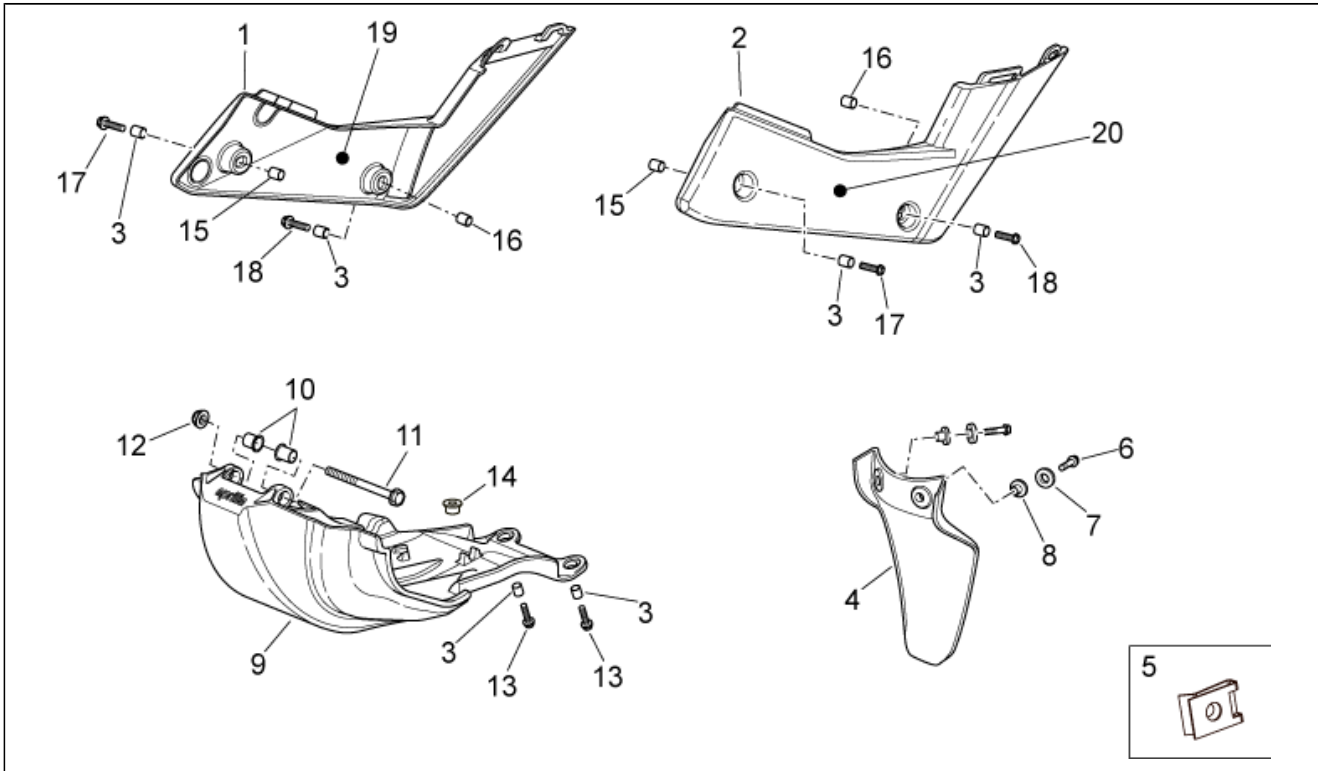
Pos.	Code	Description	Qty	Variants
1	AP9100343	Oil tank	1	
2	AP9150174	Oil unload plug	1	
3	AP9150349	Seal washer D12x18x1,5	1	
4	AP9150410	Oil plug M20x1,5	1	
5	AP8121638	Gasket ring	1	
6	AP9100638	Screw w/ flange M6x70	1	
7	AP9100661	Screw w/ flange M6x1 L=95	1	
8	AP9100434	Self-locking nut M6x1	2	
9	AP9100496	Pipe Blow-By	1	
10	AP8102903	Hose clip D16,5X6,6	2	
11	AP8101586	Hose clip D.15,5x6,6	2	
12	AP8120987	Pipe 9x14	1	
13	AP8102525	Hose cock	2	
14	AP8120223	Rubber spacer *	6	
15	AP9100950	Bush D14-D9-d6.5-H12	6	
16	AP9100665	Oil level pipe	1	
17	AP9100951	Hose clip	2	
18	AP9100267	Rubber pipe 12,8x8,8 L=28	1	

Group	FRAME
Code	28.13
Description	Saddle
Service	1



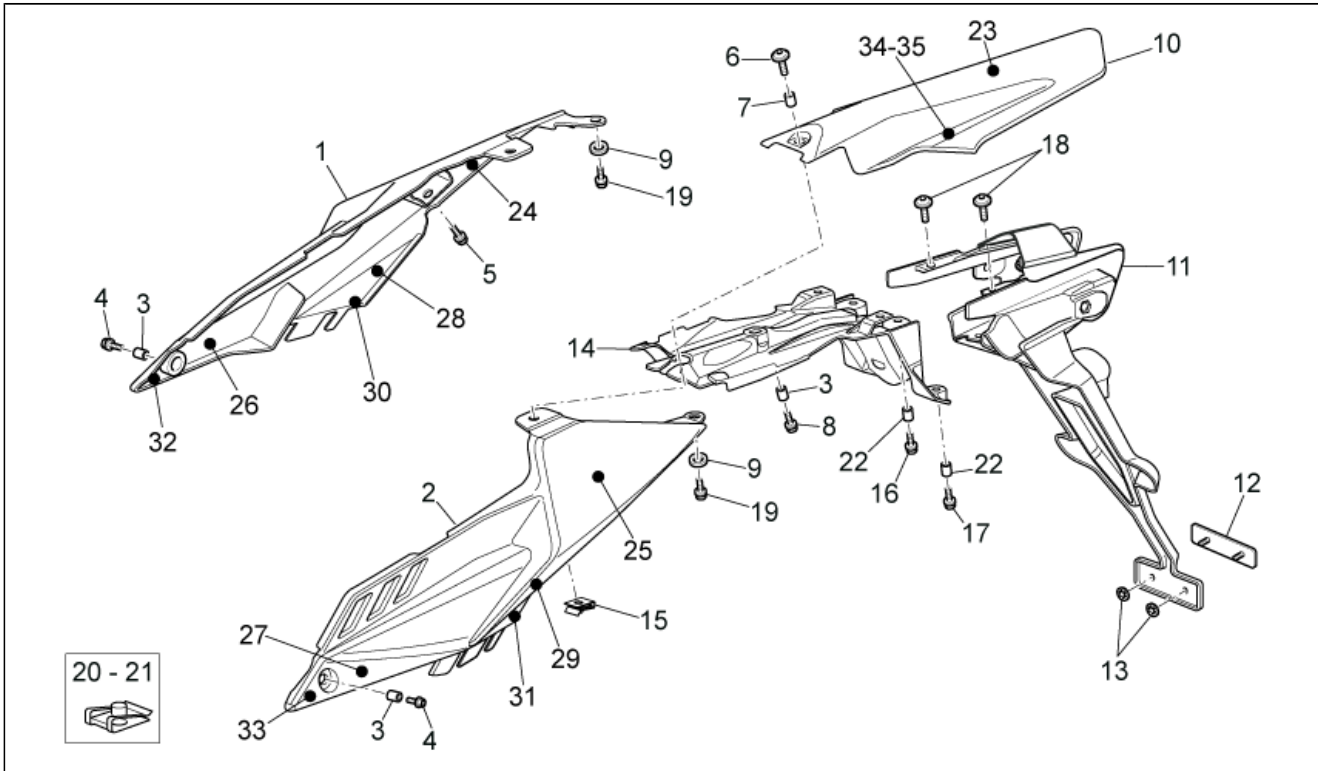
Pos.	Code	Description	Qty	Variants
1	89113100C2	Saddle	1	
2	AP9100365	Release device	1	
3	AP9100087	Washer Teflon	1	
4	AP9100281	Saddle casing	1	
5	851440	Pillion seat strap	1	
6	AP8121075	T bush *	2	
7	AP8152279	Screw w/ flange M6x20	2	

Group	FRAME
Code	28.14
Description	Central body
Service	1



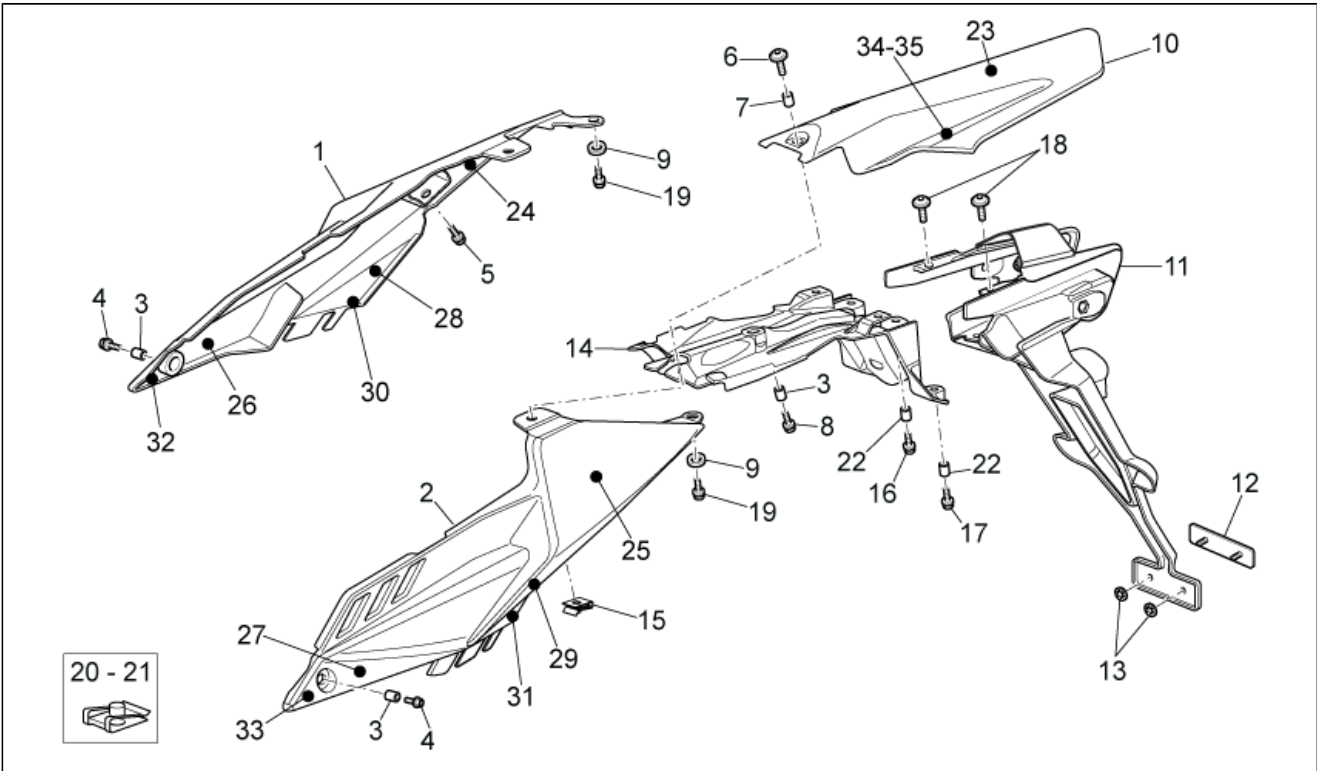
Pos.	Code	Description	Qty	Variants
1	AP8184605	RH side panel, black	1	Technical Specifications: Without decals applied[ND]
2	AP8184606	LH side panel, black	1	Technical Specifications: Without decals applied[ND]
3	AP9100053	Bush d.10-h.3,5	6	
4	AP9100504	Shock absorber cover	1	
5	AP8102375	Clip	2	
6	AP8152274	Screw w/ flange M5x20	2	
7	AP8144064	Heat shield washer	2	
8	AP8121736	T bush	2	
9	AP9100347	Sump guard	1	
10	AP9100778	Bush	2	
11	AP9100661	Screw w/ flange M6x1 L=95	1	
12	AP9100434	Self-locking nut M6x1	1	
13	AP8152279	Screw w/ flange M6x20	2	
14	AP8101372	Silent-block	1	
15	CM235801	Spacer 15mm	2	
16	CM235802	Spacer 10mm	2	
17	CM236001	Screw w/ flange M6x30	2	
18	CM236002	Screw w/ flange M6x25	2	
19	894640	RH side panel decal	1	Technical Specifications: Enduro version[RX]
19	894655	RH side panel decal	1	Technical Specifications: Motard version[SX]
20	894641	LH side panel decal	1	Technical Specifications: Enduro version[RX]
20	894656	LH side panel decal	1	Technical Specifications: Motard version[SX]

Group	FRAME
Code	28.15
Description	Rear body
Service	1



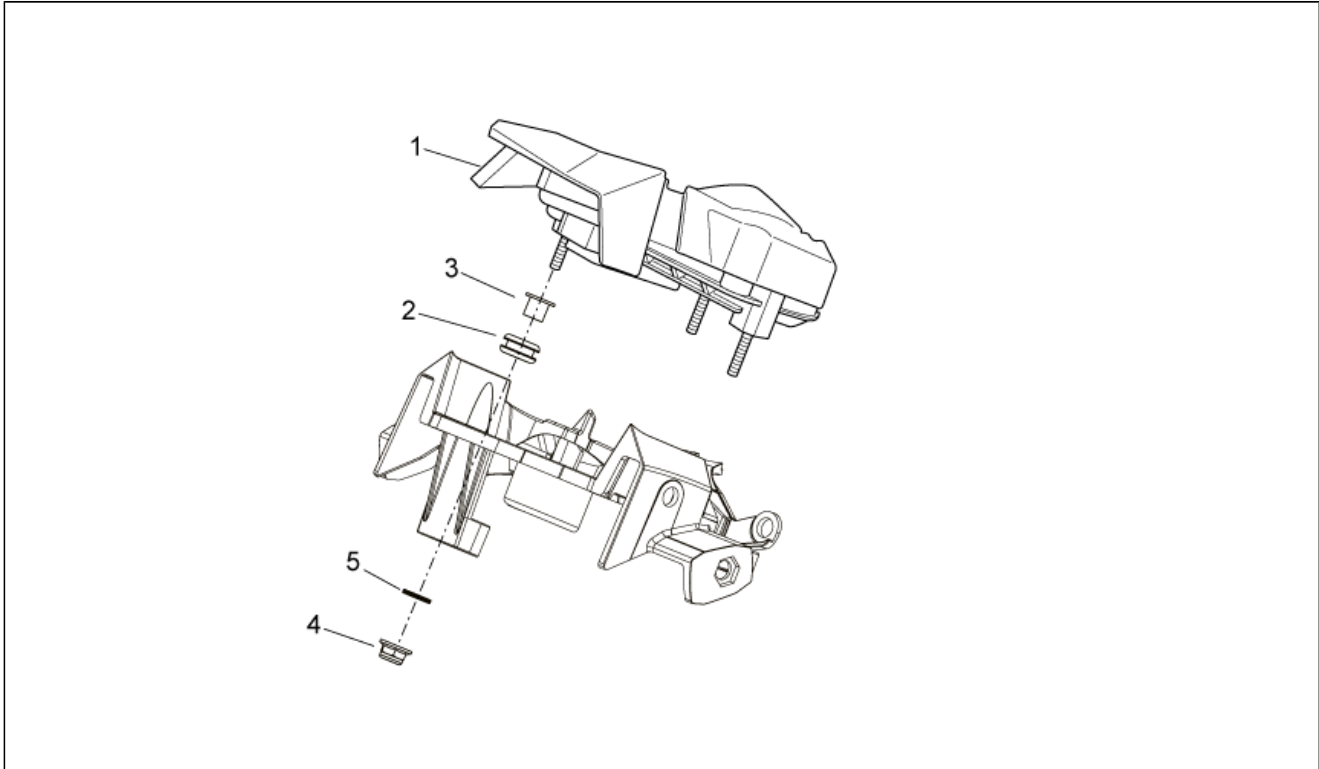
Pos.	Code	Description	Qty	Variants
1	AP8184497	Rh rear fairing	1	Technical Specifications: Without decals applied[ND]
2	AP8184496	Lh rear fairing	1	Technical Specifications: Without decals applied[ND]
3	AP9100053	Bush d.10-h.3,5	3	
4	AP9100645	Screw w/ flange M6x16 inox	2	
5	AP8152280	Screw w/ flange	2	
6	AP8152117	Hex socket screw	1	
7	AP9100594	Bush 10x7	1	
8	AP8152279	Screw w/ flange M6x20	1	
9	AP8150015	Washer 6,6x18x1,6*	2	
10	AP8156337	Rear mudguard	1	Technical Specifications: Without decals applied[ND]
11	AP9100610	Number plate holder	1	
12	AP8112202	Rear reflector	1	
13	AP8150450	Washer for shafts D5	1	
14	AP9100288	Saddle supp.lower lockup	1	
15	AP8102376	Clip M6	1	
16	AP8152279	Screw w/ flange M6x20	2	
17	AP8152279	Screw w/ flange M6x20	1	
18	AP8152339	Screw w/ flange	2	
19	AP8152277	Screw w/ flange	2	
20	AP8102375	Clip	4	
21	AP8102376	Clip M6	3	
22	AP8121795	T bush *	2	
23	856363	Sticker rear mudguard	1	
24	856352	Rear DH fairing decal	1	
25	856353	Rear LH fairing decal	1	
26	894644	Rear DH fairing decal	1	
27	894645	Front LH fairing decal	1	
28	894648	Rear DH fairing decal	1	

Group	FRAME
Code	28.15
Description	Rear body
Service	1



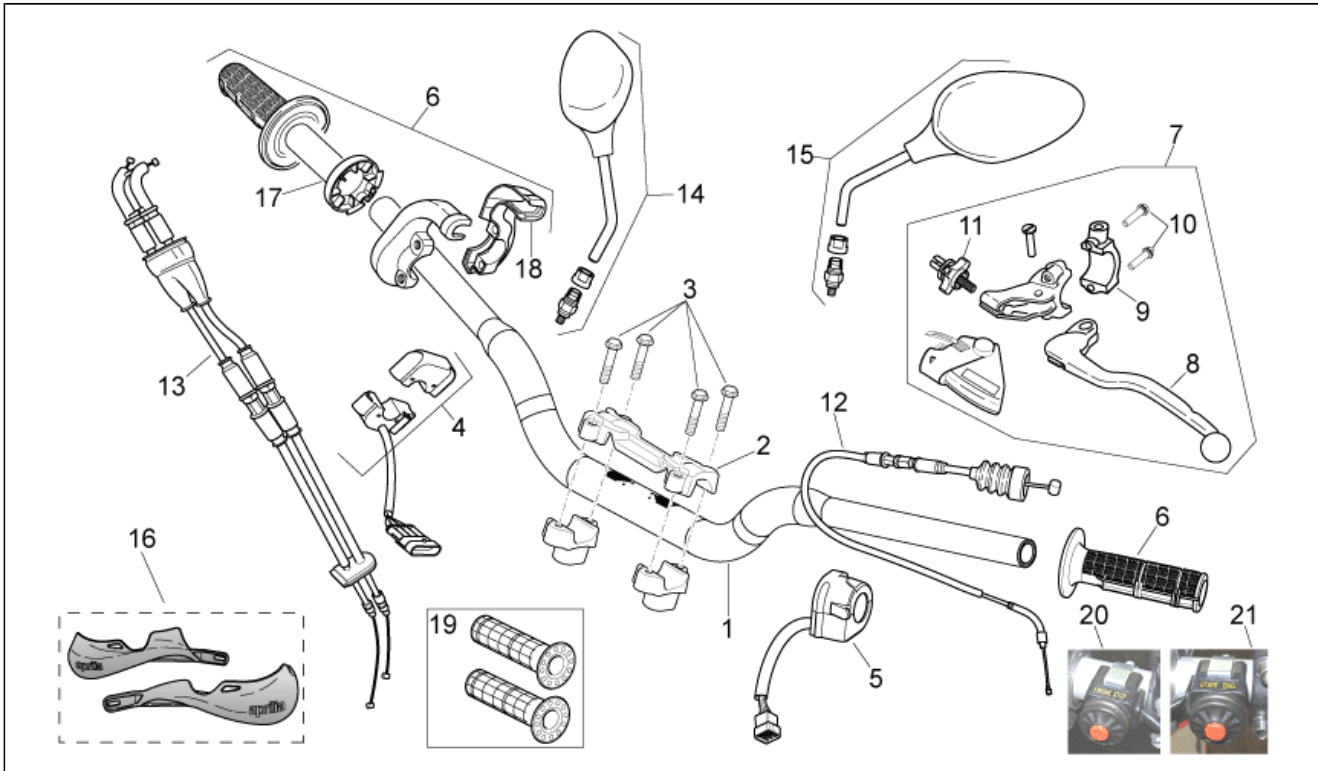
Pos.	Code	Description	Qty	Variants
29	894649	Rear LH fairing decal	1	
30	894650	Rear DH fairing decal	1	
31	894651	Rear LH fairing decal	1	
32	894646	Rear DH fairing decal	1	
33	894647	Front LH fairing decal	1	
34	856364	Sticker rear mudguard RH	1	
35	856365	Sticker rear mudguard LH	1	

Group	FRAME
Code	28.16
Description	Dashboard
Service	1



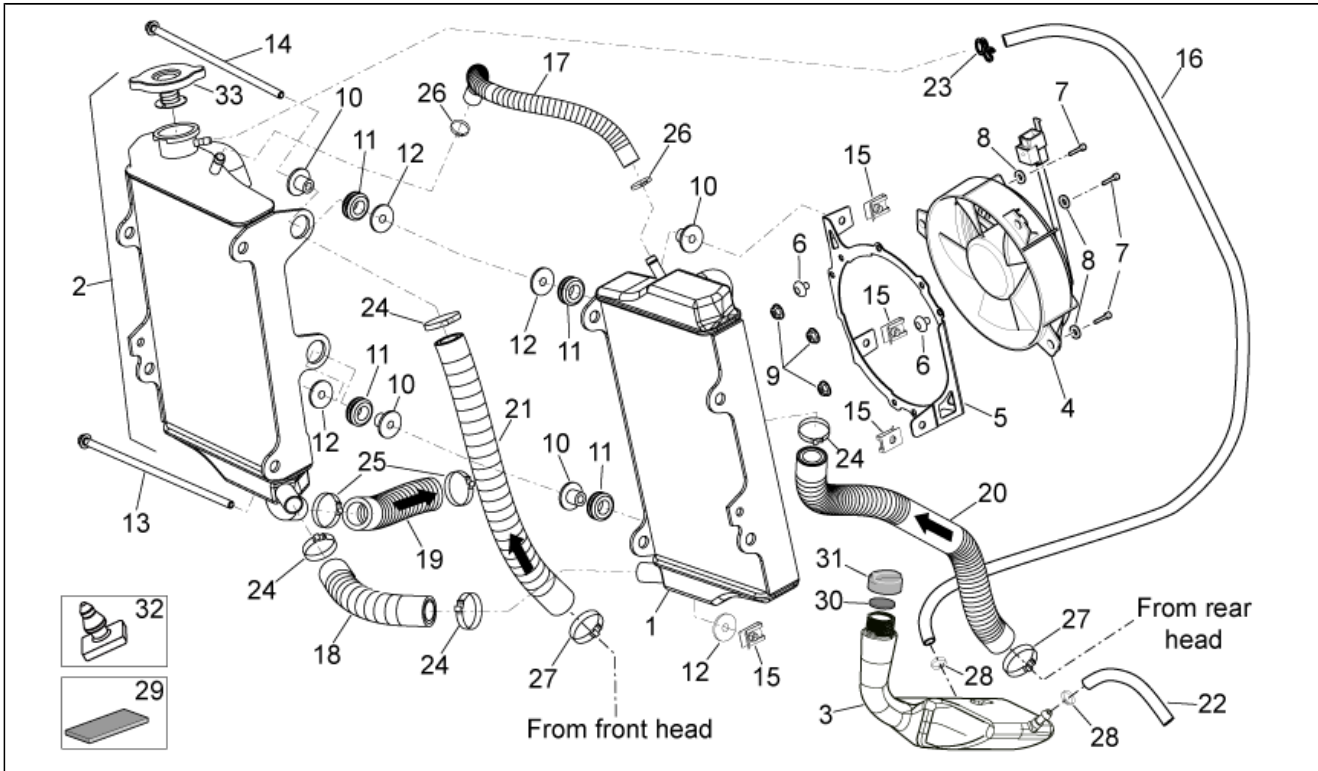
Pos.	Code	Description	Qty	Variants
1	AP9100516	Dashboard	1	
2	AP8112600	Rubber spacer *	3	
3	AP8121795	T bush *	3	
4	AP8150451	Low self-locking nut	3	
5	AP8150013	Washer 5,5x15x1,6*	3	

Group	FRAME
Code	28.17
Description	Controls
Service	1



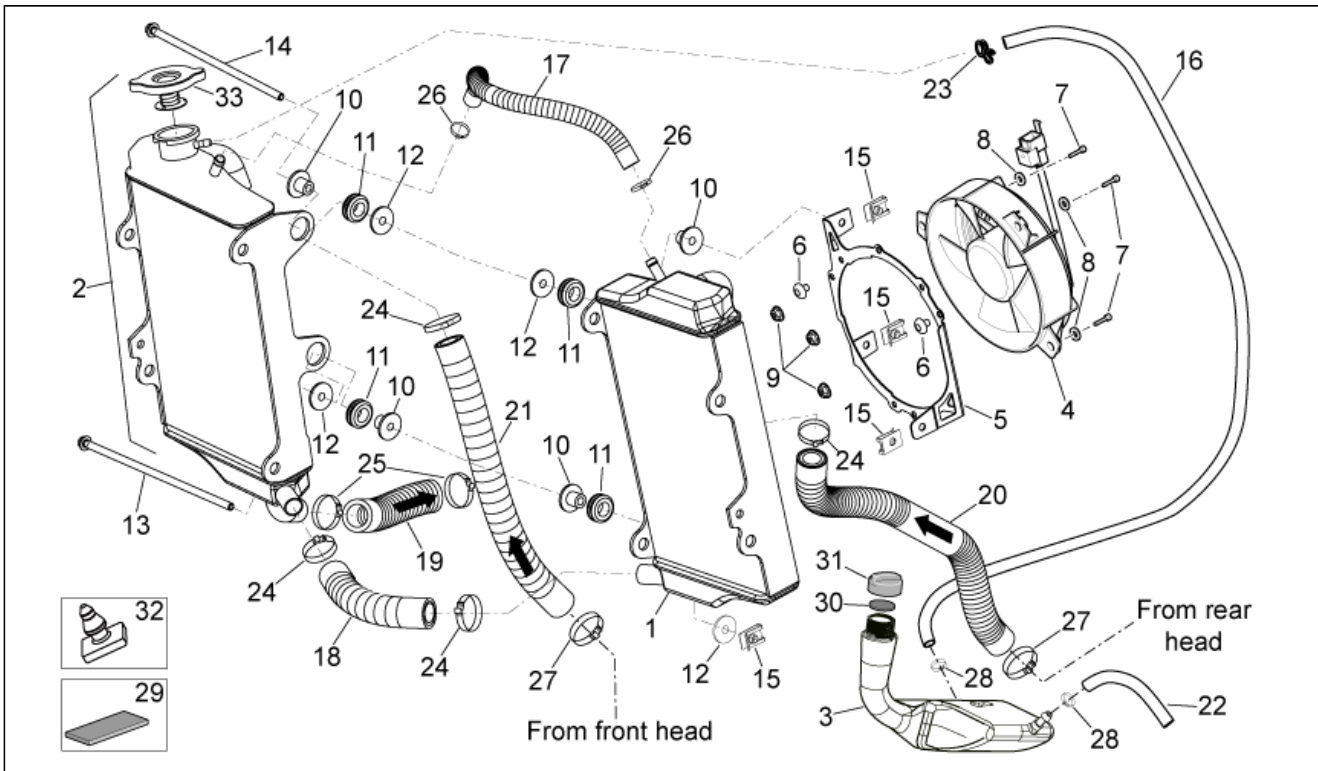
Pos.	Code	Description	Qty	Variants
1	AP9100704	Handlebar	1	
2	AP9100297	Upper U-bolt	1	
3	AP8152289	Screw w/ flange	4	
4	AP9100514	RH lights selector	1	
5	AP9100513	LH lights selector	1	
6	AP9100801	Throttle+hand grip	1	Technical Specifications: Motard version[SX]
7	AP9100636	Clutch control	1	
8	AP9100939	Clutch lever	1	
9	AP9100940	U-bolt	1	
10	AP8152280	Screw w/ flange	2	
11	AP9100941	Clutch cable register	1	
12	853977	Clutch control transmission	1	Technical Specifications: Motard version[SX]
12	AP9100486	Clutch control transmission	1	Technical Specifications: Enduro version[RX]
13	853976	Gas lever transmission	1	Technical Specifications: Motard version[SX]
13	AP9100802	Gas lever transmission	1	Technical Specifications: Enduro version[RX]
14	AP8104921	RH rearview mirror	1	
15	AP8104922	LH rearview mirror	1	
17	851359	Progressive Throttle pipe	1	Technical Specifications: Enduro version[RX]
18	851360	U-bolt	1	Technical Specifications: Enduro version[RX]
19	AP8218628	Handgrip pair, black	1	
20	AP9100425	Button engine stop	1	
21	AP9100426	Start pushbutton	1	

Group	FRAME
Code	28.18
Description	Cooling system
Service	1



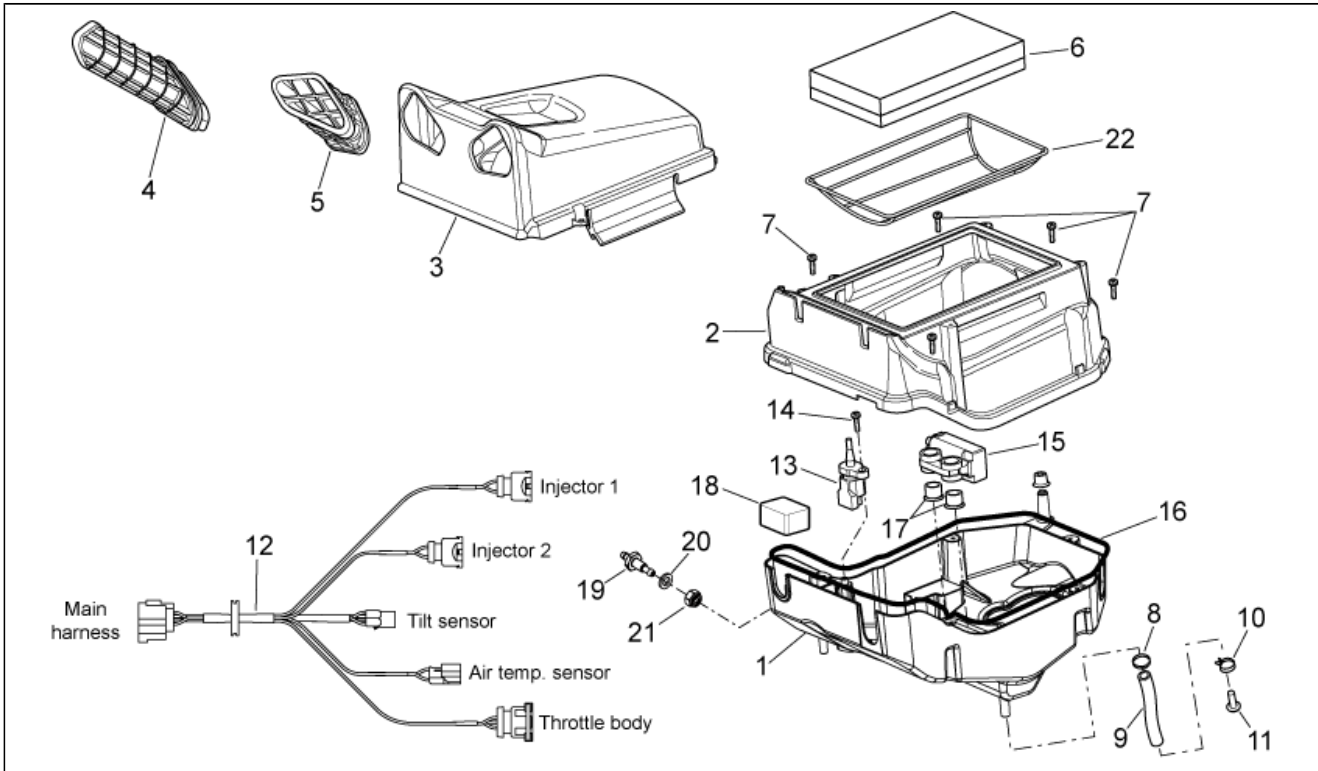
Pos.	Code	Description	Qty	Variants
1	AP9100348	Water cooler, LH	1	
2	AP9100349	Water cooler, RH	1	
3	AP9100506	Expansion tank	1	
4	AP8124930	Fan, cpl.	1	
5	AP9100780	Fan support	1	
6	AP8120876	Plug	2	
7	AP8152267	Hex socket screw	3	
8	AP8150013	Washer 5,5x15x1,6*	3	
9	AP8150451	Low self-locking nut	3	
10	AP9100376	Bush	4	
11	AP9100969	Silent-block *	4	
12	AP9100375	Washer 24,8x6,2x1	4	
13	AP9100781	Screw w/ flange M6x133	1	
14	AP9100663	Screw w/ flange M6x122	1	
15	AP8102376	Clip M6	3	
16	AP8120952	Fuel pipe 5,5x10	1	
17	AP8144506	Breather pipe 7,5X3,5	1	
18	AP9100555	Pipe 23x15x135	1	
19	AP9100557	Cooler-pump pipe 27x19x145	1	
20	AP9100553	Pipe 23x15x380	1	
21	AP9100554	Pipe 23x15x295	1	
22	AP8120952	Fuel pipe 5,5x10	1	
23	AP8102378	Hose clamp D11,3	1	
24	AP8201169	Hose clip D22x8,6*	4	
25	AP9100456	Hose clip 26x8	2	
26	AP9100714	Hose clip 14,5x8	2	
27	AP9100697	Hose clip 21x8	2	
28	AP8120446	Hose clip, green D11x6,6x1	2	

Group	FRAME
Code	28.18
Description	Cooling system
Service	1



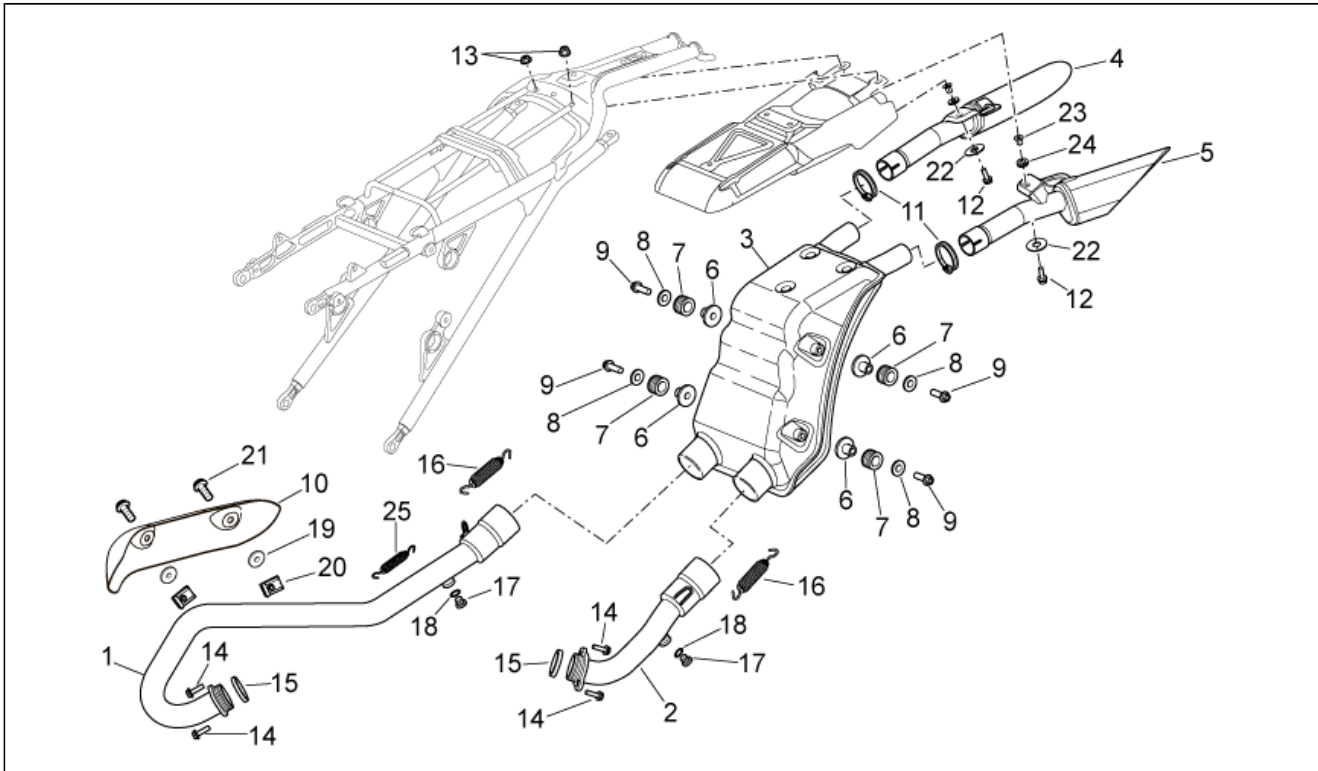
Pos.	Code	Description	Qty	Variants
29	AP8117041	Adhesive sponge 6x30	2	
30	AP8220191	Gasket	1	
31	AP8104124	Expansion tank plug	1	
32	AP8120455	Rubber spacer	1	
33	AP9100948	Water cooler filler cap	1	

Group	FRAME
Code	28.19
Description	Air box
Service	1



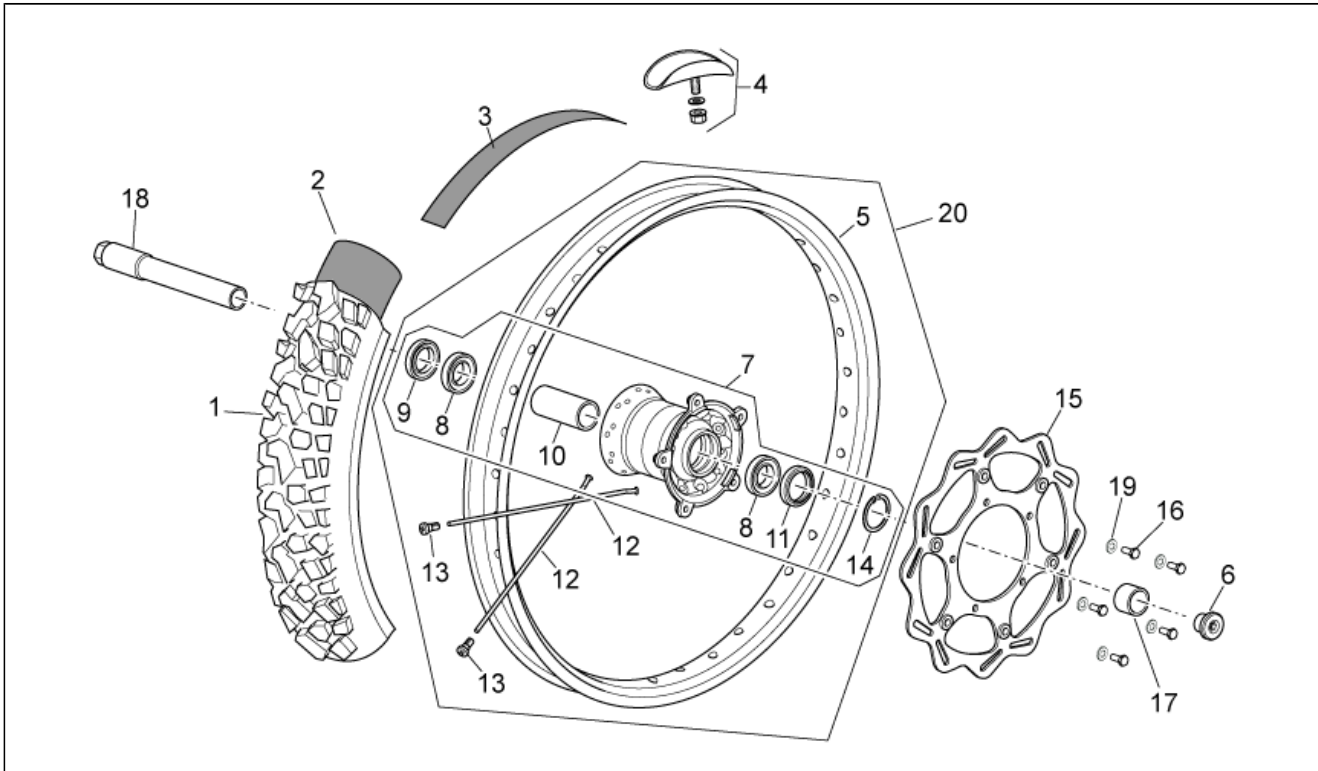
Pos.	Code	Description	Qty	Variants
1	AP9150530	Filter housing base	1	Technical Specifications: 450 cc.Version[45]
1	AP9150531	Filter housing base	1	Technical Specifications: 550 cc.Version[55]
2	AP9100279	Filter housing body	1	
3	AP9100703	Cover	1	
4	AP9100588	RH air intake	1	
5	AP9100587	LH air intake	1	
6	858044	Air filter	1	
7	AP8152351	Screw 4,2x16*	5	
8	AP8101595	Hose clamp D10,1*	1	
9	AP8144038	Fuel pipe 6x10	1	
10	AP8102377	Hose clamp D9,1*	1	
11	AP8120876	Plug	1	
12	AP9100455	Wiring	1	
13	AP9100427	Air temp. Sensor	1	
14	AP8150413	Self-tap screw 3,9x14	1	
15	AP9100428	Security sensor	1	
16	AP8120593	Gasket D4	1	
17	AP9101001	Bush	1	
18	AP9101017	Filter Blow-by	1	
19	855081	Nozzle	1	
20	AP8144065	Rubber spacer	1	
21	709052	Low self-locking nut	1	
22	858045	Drum	1	

Group	FRAME
Code	28.20
Description	Exhaust unit
Service	1



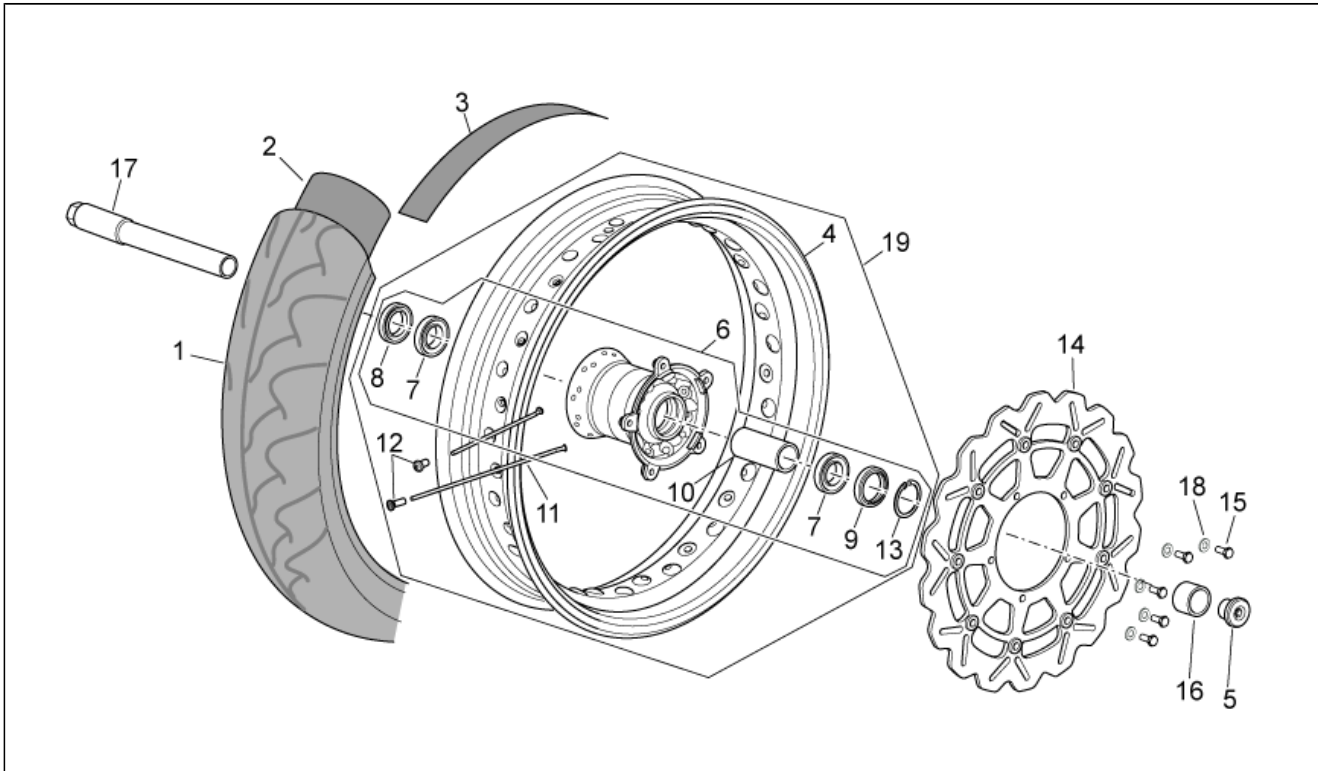
Pos.	Code	Description	Qty	Variants
1	855036	Front. Exhaust pipe	1	Technical Specifications: 450 cc.Version[45]
1	855037	Front. Exhaust pipe	1	Technical Specifications: 550 cc.Version[55]
2	855026	Rear exhaust pipe	1	Technical Specifications: 550 cc.Version[55]
2	855087	Rear exhaust pipe	1	Technical Specifications: 450 cc.Version[45]
3	AP9100414	Silencer	1	
4	AP9100244	RH terminal	1	
5	AP9100249	LH terminal	1	
6	AP9100409	Bush	4	
7	AP9100845	Silent-block	4	
8	AP9100736	Washer 8,3x20x1,5	4	
9	AP8152288	Screw w/ flange	4	
10	AP9100238	RH exhaust pipe shield	1	
11	AP9100241	Hose clamp D.30	2	
12	AP8152279	Screw w/ flange M6x20	2	
13	AP9100434	Self-locking nut M6x1	2	
14	AP8152278	Screw w/ flange	4	
15	AP9100252	Exhaust pipe gasket	2	
16	AP8121170	Spring	2	
17	AP9100755	CO intake screw	2	
18	AP8119603	Washer 10x14x1	2	
19	AP8120870	Insulating washer	2	
20	AP8102376	Clip M6	2	
21	AP8152342	Screw w/ flange M6x12	2	
22	AP8150015	Washer 6,6x18x1,6*	2	
23	AP9100302	T bush	2	
24	AP9100301	Rubber spacer	2	
25	858142	Exhaust pipes spring	1	

Group	FRAME
Code	28.21
Description	Front wheel I
Service	1



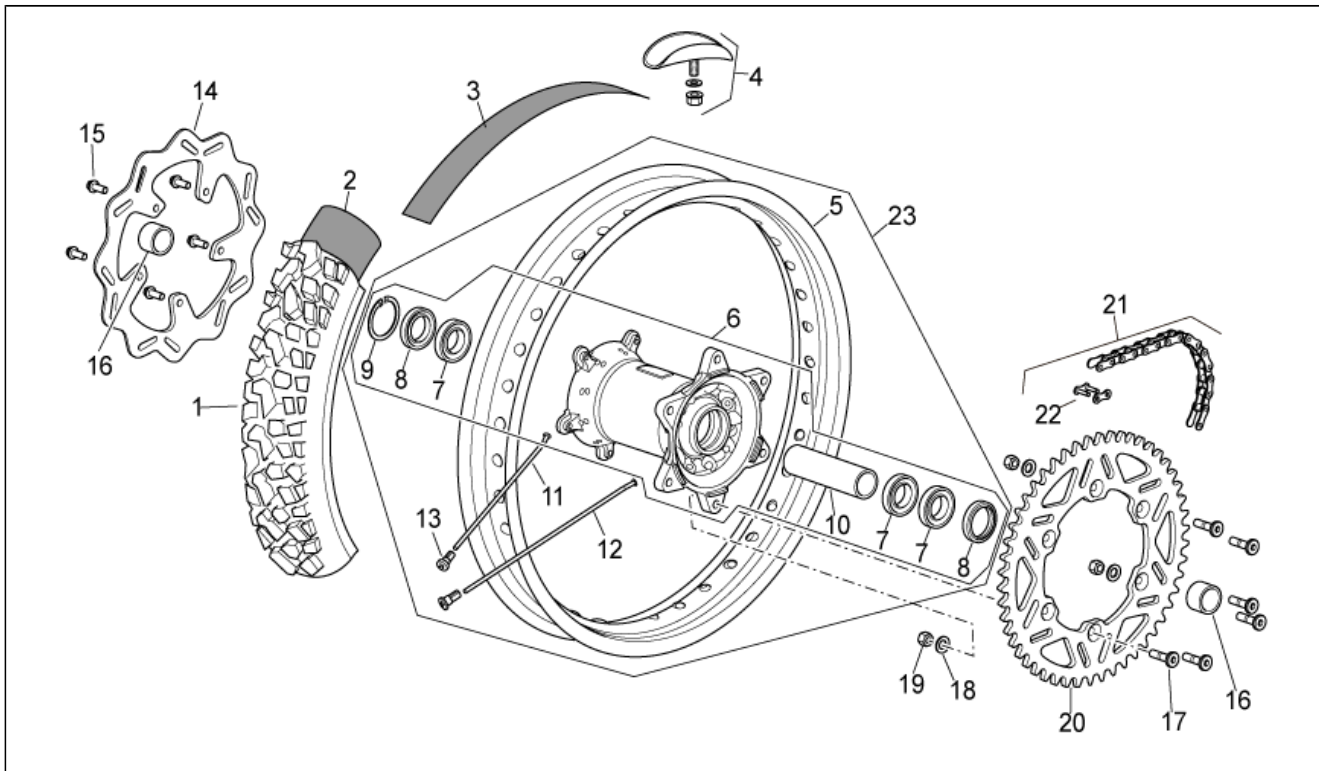
Pos.	Code	Description	Qty	Variants
1	AP9100507	Front tyre 90/90X21"	1	Technical Specifications: Enduro version[RX]
2	AP9100458	Inner tube 21"	1	Technical Specifications: Enduro version[RX]
3	AP8109001	Front wheel flap 21"	1	Technical Specifications: Enduro version[RX]
4	AP9100457	Clamp	1	Technical Specifications: Enduro version[RX]
5	AP9100262	Front wheel 1,6x21"	1	Technical Specifications: Enduro version[RX]
6	AP9100171	Plug M22	1	Technical Specifications: Enduro version[RX]
7	AP9100225	Front hub	1	Technical Specifications: Enduro version[RX]
8	AP9100216	Ball bearing 25x42x9	2	Technical Specifications: Enduro version[RX]
9	AP9100228	Gasket ring 28x42x7	1	Technical Specifications: Enduro version[RX]
10	AP9100226	Internal spacer L=69,7	1	Technical Specifications: Enduro version[RX]
11	AP9100227	Gasket ring 32x42x7	1	Technical Specifications: Enduro version[RX]
12	AP9100224	Spoke d.3,5-21"-l.233	36	Technical Specifications: Enduro version[RX]
13	AP9100057	Nipple	36	Technical Specifications: Enduro version[RX]
14	AP8121334	Circlip D.42	1	Technical Specifications: Enduro version[RX]
15	AP9100461	Front brake disc d.270	1	Technical Specifications: Enduro version[RX]
16	AP8150070	Hex screw M6x16	5	Technical Specifications: Enduro version[RX]
17	AP9100229	Outside spacer L=26,3	1	Technical Specifications: Enduro version[RX]
18	AP9100230	Front wheel spindle L=221,5	1	Technical Specifications: Enduro version[RX]
19	AP8150429	Spring washer 6,4x11x0,5*	5	Technical Specifications: Enduro version[RX]
20	851063	Front wheel 21"	1	Technical Specifications: Enduro version[RX]

Group	FRAME
Code	28.22
Description	Front wheel II
Service	1



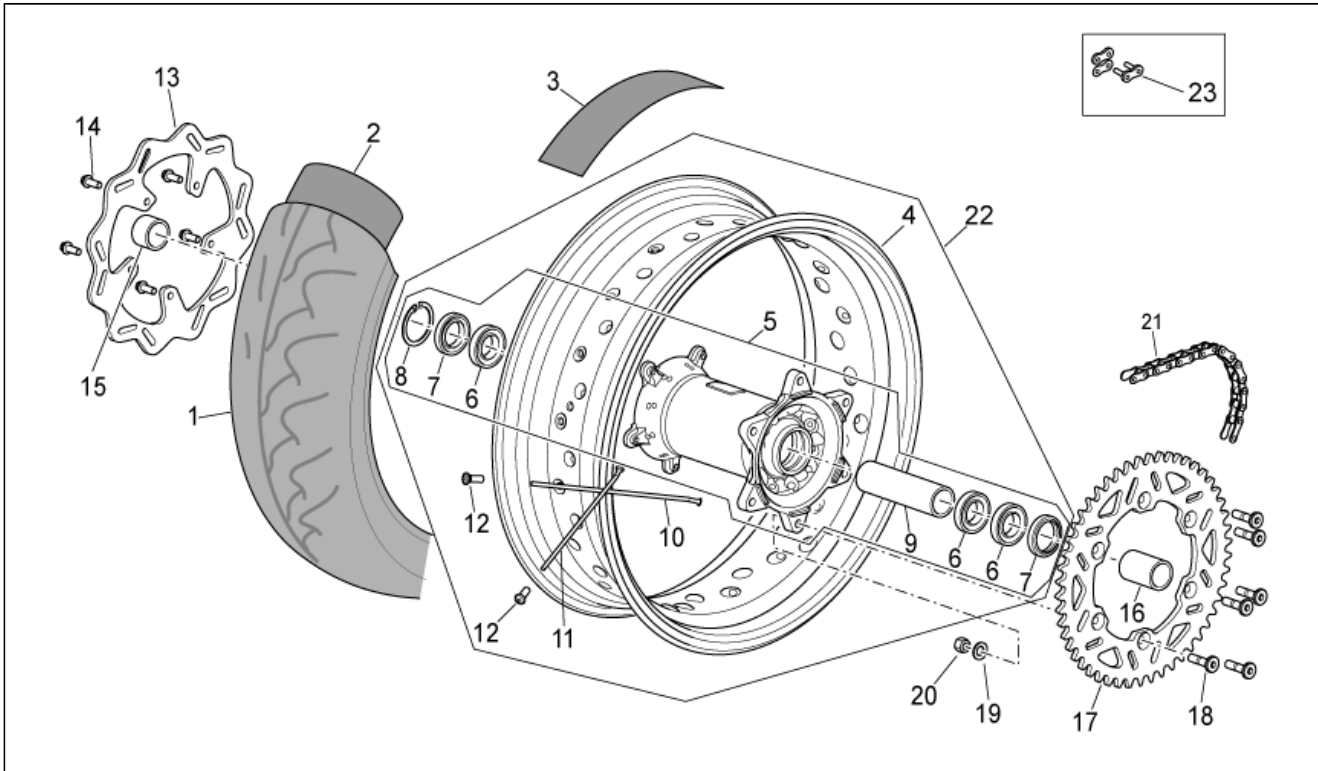
Pos.	Code	Description	Qty	Variants
1	AP9100530	Front/rear tyre 120/70X17"	1	Technical Specifications: Motard version[SX]
2	AP8109306	Inner tube 17"	1	Technical Specifications: Motard version[SX]
3	AP8109309	Flap 17"	1	Technical Specifications: Motard version[SX]
4	AP9100561	Front wheel 3,5X17"	1	Technical Specifications: Motard version[SX]
5	AP9100171	Plug M22	1	Technical Specifications: Motard version[SX]
6	AP9100225	Front hub	1	Technical Specifications: Motard version[SX]
7	AP9100216	Ball bearing 25x42x9	2	Technical Specifications: Motard version[SX]
8	AP9100228	Gasket ring 28x42x7	1	Technical Specifications: Motard version[SX]
9	AP9100227	Gasket ring 32x42x7	1	Technical Specifications: Motard version[SX]
10	AP9100226	Internal spacer L=69,7	1	Technical Specifications: Motard version[SX]
11	AP9100106	Spoke d.3,5-17"	36	Technical Specifications: Motard version[SX]
12	AP8108672	Nipples D3,5	36	Technical Specifications: Motard version[SX]
13	AP8121334	Circlip D.42	1	Technical Specifications: Motard version[SX]
14	AP9100528	Front brake disc d.320	1	Technical Specifications: Motard version[SX]
15	AP8150070	Hex screw M6x16	5	Technical Specifications: Motard version[SX]
16	AP9100229	Outside spacer L=26,3	1	Technical Specifications: Motard version[SX]
17	AP9100230	Front wheel spindle L=221,5	1	Technical Specifications: Motard version[SX]
18	AP8150429	Spring washer 6,4x11x0,5*	5	Technical Specifications: Motard version[SX]
19	851064	Front wheel 17"	1	Technical Specifications: Motard version[SX]

Group	FRAME
Code	28.23
Description	Rear wheel I
Service	1



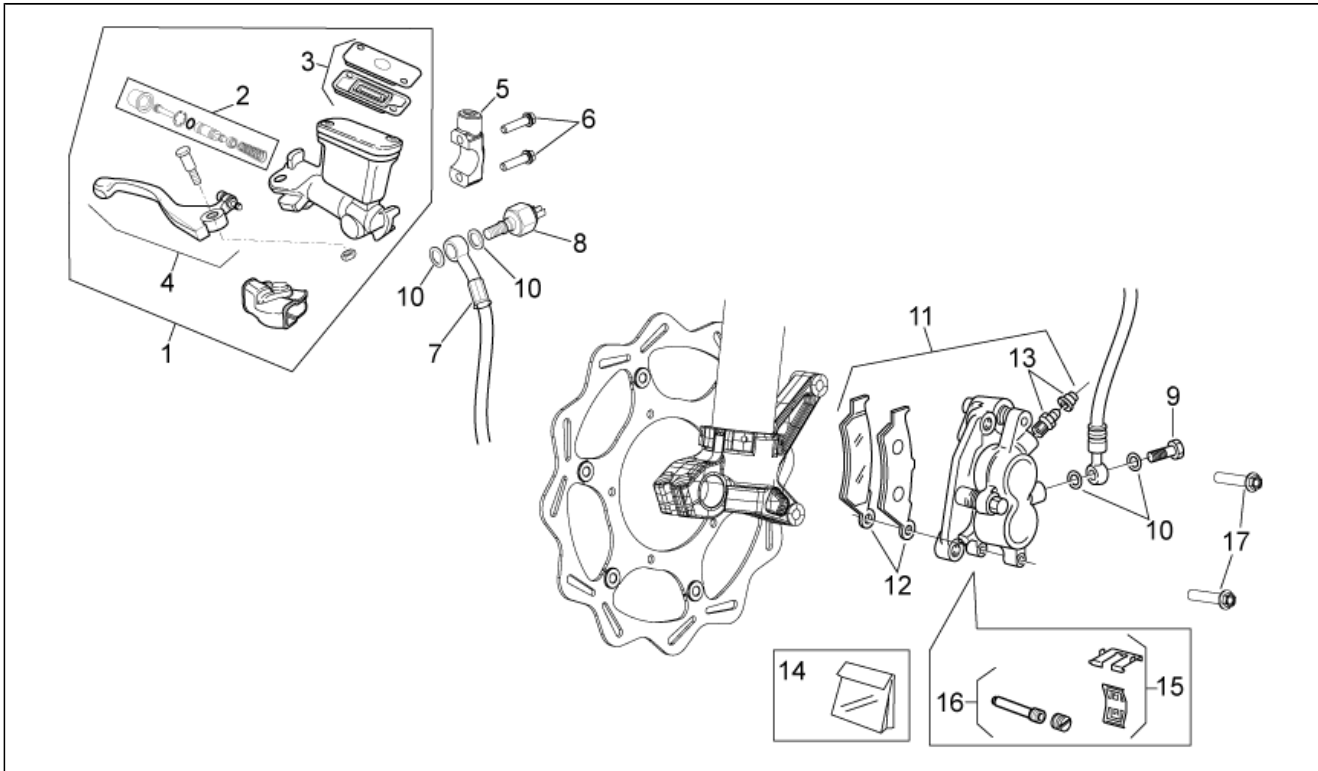
Pos.	Code	Description	Qty	Variants
1	AP9100510	Rear tyre 140/80X18"	1	Technical Specifications: Enduro version[RX]
2	AP9100508	Inner tube 18"	1	Technical Specifications: Enduro version[RX]
3	AP8109281	Rear wheel flap 18"	1	Technical Specifications: Enduro version[RX]
4	AP9100462	Tyre clamp	1	Technical Specifications: Enduro version[RX]
5	AP9100261	Rear wheel 2,15X18"	1	Technical Specifications: Enduro version[RX]
6	AP9100214	Rear hub	1	Technical Specifications: Enduro version[RX]
7	AP9100216	Ball bearing 25x42x9	3	Technical Specifications: Enduro version[RX]
8	AP9100227	Gasket ring 32x42x7	2	Technical Specifications: Enduro version[RX]
9	AP8121334	Circlip D.42	1	Technical Specifications: Enduro version[RX]
10	AP9100215	Internal spacer L=106,5	1	Technical Specifications: Enduro version[RX]
11	AP9100056	Spoke d.4-18"-l.196,5	18	Technical Specifications: Enduro version[RX]
12	AP9100211	Spoke d.4-18"-l.199,5	18	Technical Specifications: Enduro version[RX]
13	AP9100213	Nipple d.4	36	Technical Specifications: Enduro version[RX]
14	AP9100466	Rear brake disc d.240	1	Technical Specifications: Enduro version[RX]
15	AP8152278	Screw w/ flange	5	Technical Specifications: Enduro version[RX]
16	AP9100595	Outside spacer L=21,9	2	Technical Specifications: Enduro version[RX]
17	AP9100467	Screw M8x30	6	Technical Specifications: Enduro version[RX]
18	AP8150017	Washer 8,4x16x1,6*	6	Technical Specifications: Enduro version[RX]
19	AP9100432	Low self-locking nut M8x1,25	6	Technical Specifications: Enduro version[RX]
20	AP9100336	Chain ring Z=48	1	Technical Specifications: Enduro version[RX]
21	AP9100531	Chain	1	Technical Specifications: Enduro version[RX]
22	AP9100533	Connecting link 5/8x1/4	1	Technical Specifications: Enduro version[RX]
23	851065	Rear wheel 18"	1	Technical Specifications: Enduro version[RX]

Group	FRAME
Code	28.24
Description	Rear wheel II
Service	1



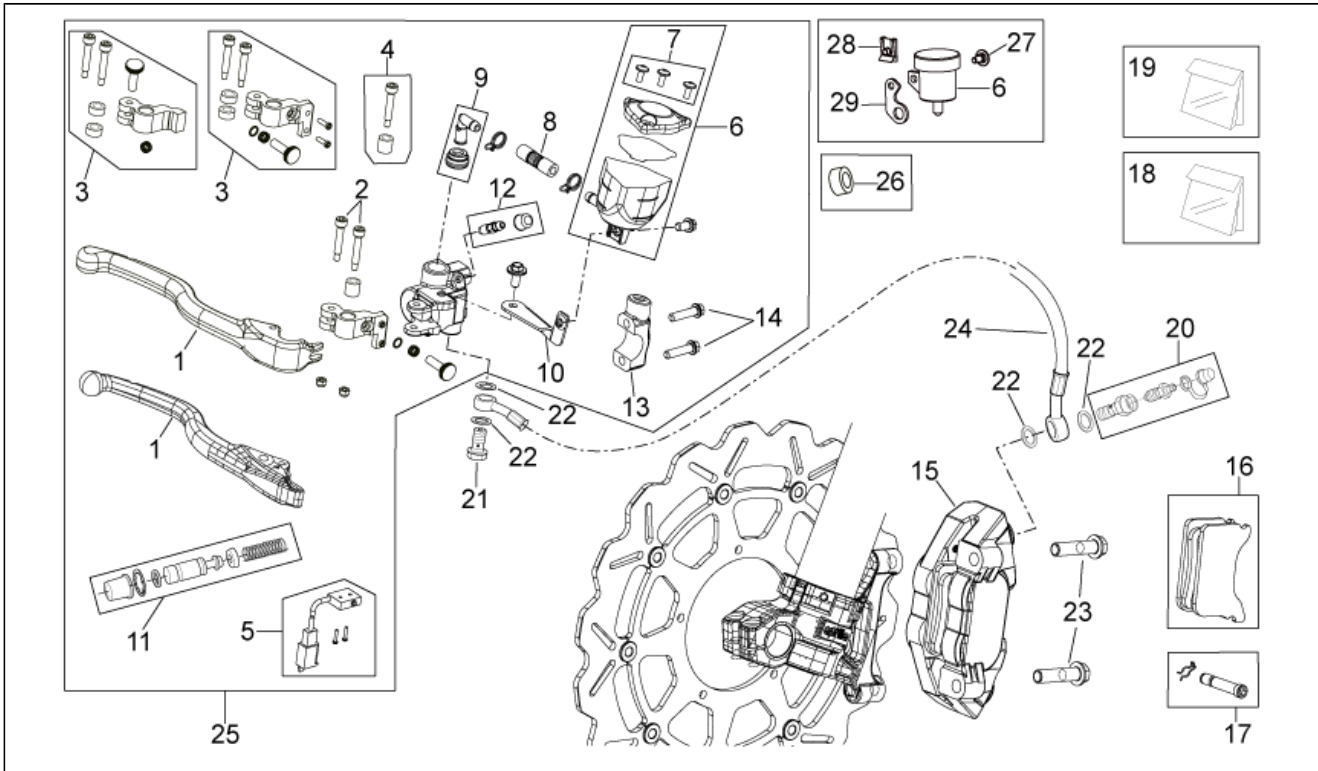
Pos.	Code	Description	Qty	Variants
1	AP9100608	Rear tyre 180/55X17"	1	Technical Specifications: Motard version[SX]
2	AP9100526	Inner tube 17"	1	Technical Specifications: Motard version[SX]
3	AP9100527	Flap 17"	1	Technical Specifications: Motard version[SX]
4	AP9100560	Rear wheel 5,5X17"	1	Technical Specifications: Motard version[SX]
5	AP9100322	Rear hub	1	Technical Specifications: Motard version[SX]
6	AP9100216	Ball bearing 25x42x9	3	Technical Specifications: Motard version[SX]
7	AP9100227	Gasket ring 32x42x7	2	Technical Specifications: Motard version[SX]
8	AP8121334	Circlip D.42	1	Technical Specifications: Motard version[SX]
9	AP9100584	Internal spacer L=134,3	1	Technical Specifications: Motard version[SX]
10	AP9100559	Spoke 4-17"-l.189	18	Technical Specifications: Motard version[SX]
11	AP9100107	Spoke d.4-17"-l.184	18	Technical Specifications: Motard version[SX]
12	AP9100569	Nipple d.4	36	Technical Specifications: Motard version[SX]
13	AP9100466	Rear brake disc d.240	1	Technical Specifications: Motard version[SX]
14	AP8152278	Screw w/ flange	5	Technical Specifications: Motard version[SX]
15	AP9100595	Outside spacer L=21,9	1	Technical Specifications: Motard version[SX]
16	AP9100596	Outside spacer L=45,1	1	Technical Specifications: Motard version[SX]
17	AP9100334	Chain ring Z=46	1	Technical Specifications: Motard version[SX]
18	AP9100467	Screw M8x30	6	Technical Specifications: Motard version[SX]
19	AP8150017	Washer 8,4x16x1,6*	6	Technical Specifications: Motard version[SX]
20	AP9100432	Low self-locking nut M8x1,25	6	Technical Specifications: Motard version[SX]
21	AP9100715	Chain 5/8x1/4	1	Technical Specifications: Motard version[SX]
22	851066	Rear wheel 17"	1	Technical Specifications: Motard version[SX]

Group	FRAME
Code	28.25
Description	Front brake system I
Service	1



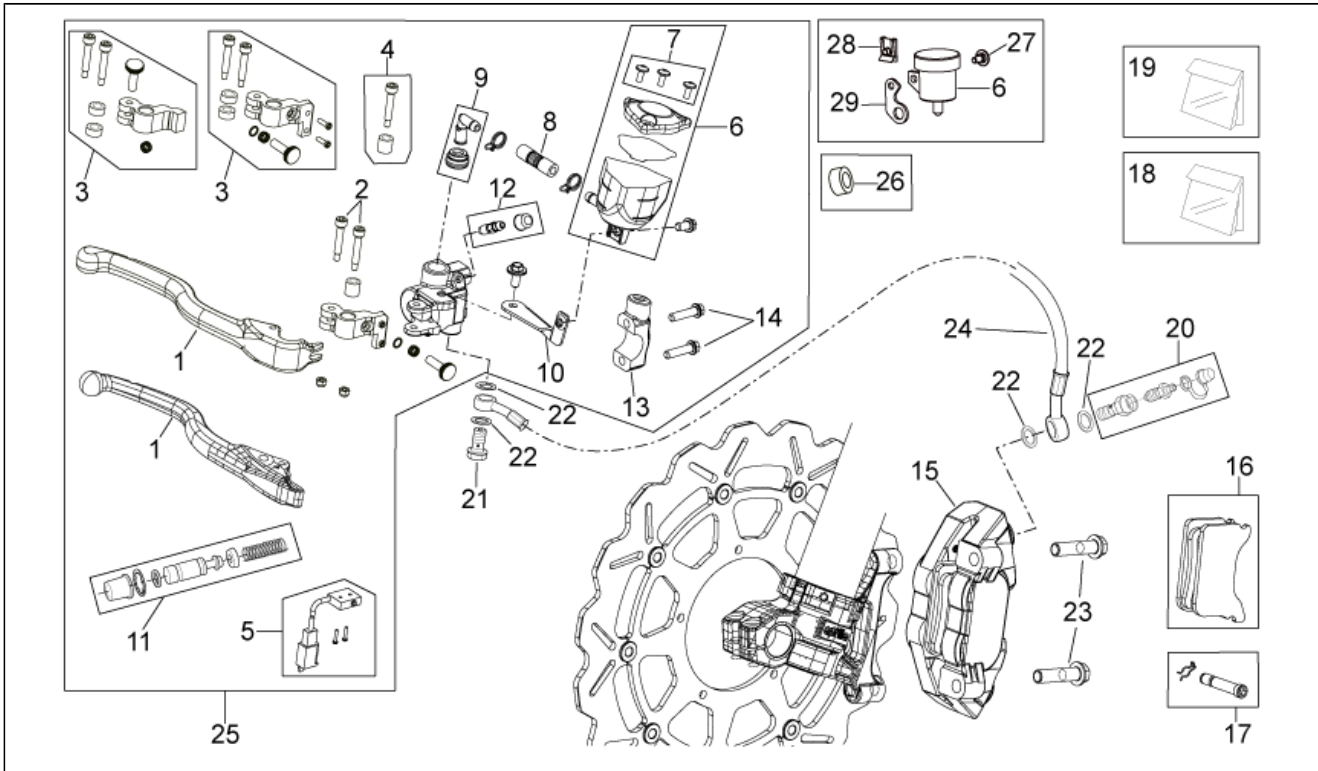
Pos.	Code	Description	Qty	Variants
1	AP9100257	Front master cilinder Nissin	1	Technical Specifications: Enduro version[RX]
2	AP9100785	Piston, kit	1	Technical Specifications: Enduro version[RX]
3	AP9100786	Plug revision kit	1	Technical Specifications: Enduro version[RX]
4	AP9100787	Lever overhaul kit	1	Technical Specifications: Enduro version[RX]
5	AP9100707	Collar	1	Technical Specifications: Enduro version[RX]
6	AP8152280	Screw w/ flange	2	Technical Specifications: Enduro version[RX]
7	AP9100642	Front brake hose	1	Technical Specifications: Enduro version[RX]
8	AP9100418	Front brake light sw.	1	Technical Specifications: Enduro version[RX]
8	AP9100472	Hex screw M10x1,25	1	Technical Specifications: Enduro version[RX]
10	AP9100473	Washer 14x10,2x1	4	Technical Specifications: Enduro version[RX]
11	AP9100256	Front brake caliper	1	Technical Specifications: Enduro version[RX]
12	AP9100788	Pads pair	1	Technical Specifications: Enduro version[RX]
13	AP9100789	Bleeder kit	1	Technical Specifications: Enduro version[RX]
14	AP9100790	Brake caliper rev. kit	1	Technical Specifications: Enduro version[RX]
15	AP9100791	Spring	1	Technical Specifications: Enduro version[RX]
16	AP9100792	Pin	1	Technical Specifications: Enduro version[RX]
17	AP8152290	Screw w/ flange	2	Technical Specifications: Enduro version[RX]

Group	FRAME
Code	28.26
Description	Front brake system II
Service	1



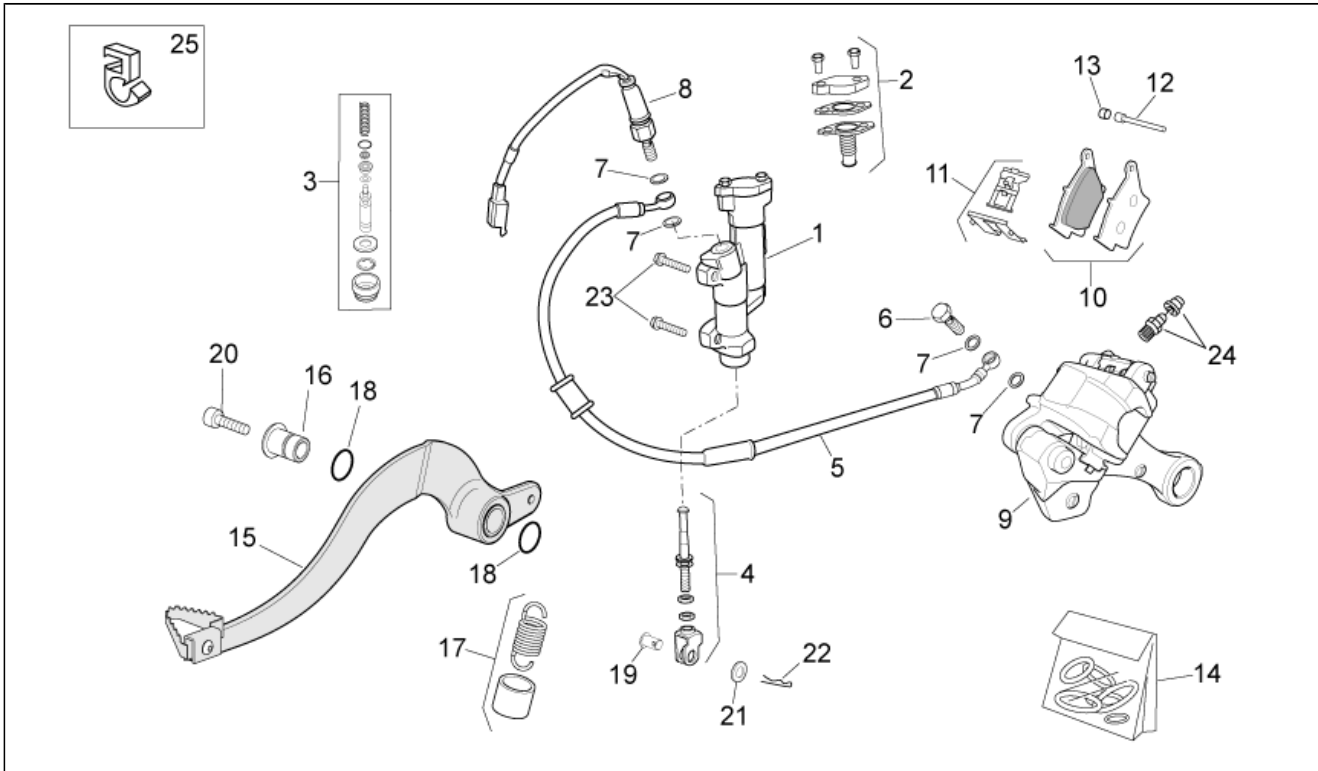
Pos.	Code	Description	Qty	Variants
1	851366	Lever	1	Technical Specifications: Motard version[SX], Upper reg.lever[T2]
1	AP9100922	Lever	1	Technical Specifications: Motard version[SX], Front reg.lever[T1]
2	AP9100921	Screw	1	Technical Specifications: Motard version[SX]
3	851367	Lever overhaul kit	1	Technical Specifications: Motard version[SX], Upper reg.lever[T2]
3	AP9100920	Lever overhaul kit	1	Technical Specifications: Motard version[SX], Front reg.lever[T1]
4	AP9100919	Pressing kit	1	Technical Specifications: Motard version[SX]
5	AP9100918	Brake light switch	1	Technical Specifications: Motard version[SX]
6	AP9100917	Oil tank	1	Technical Specifications: Motard version[SX]
7	AP9100916	Screw	1	Technical Specifications: Motard version[SX]
8	AP9100915	Brake fluid line	1	Technical Specifications: Motard version[SX]
9	AP9100914	Union	1	Technical Specifications: Motard version[SX]
10	851368	Plate	1	Technical Specifications: Motard version[SX], Upper reg.lever[T2]
10	AP9100913	Plate	1	Technical Specifications: Motard version[SX], Front reg.lever[T1]
11	AP9100912	Pump revision kit	1	Technical Specifications: Motard version[SX]
12	AP9100911	Bleeder kit	1	Technical Specifications: Motard version[SX]
13	AP9100910	U-bolt	1	Technical Specifications: Motard version[SX]
14	AP8152280	Screw w/ flange	2	Technical Specifications: Motard version[SX]
15	AP9100713	Front brake caliper	1	Technical Specifications: Motard version[SX]
16	AP9100906	Pads pair	1	Technical Specifications: Motard version[SX]
17	AP9100907	Pin with cotter	1	Technical Specifications: Motard version[SX]
18	AP9100908	Brake caliper rev. kit	1	Technical Specifications: Motard version[SX]
19	AP9100909	Brake pistons, pair	1	Technical Specifications: Motard version[SX]
20	AP9100905	Bleeder revision kit	1	Technical Specifications: Motard version[SX]

Group	FRAME
Code	28.26
Description	Front brake system II
Service	1



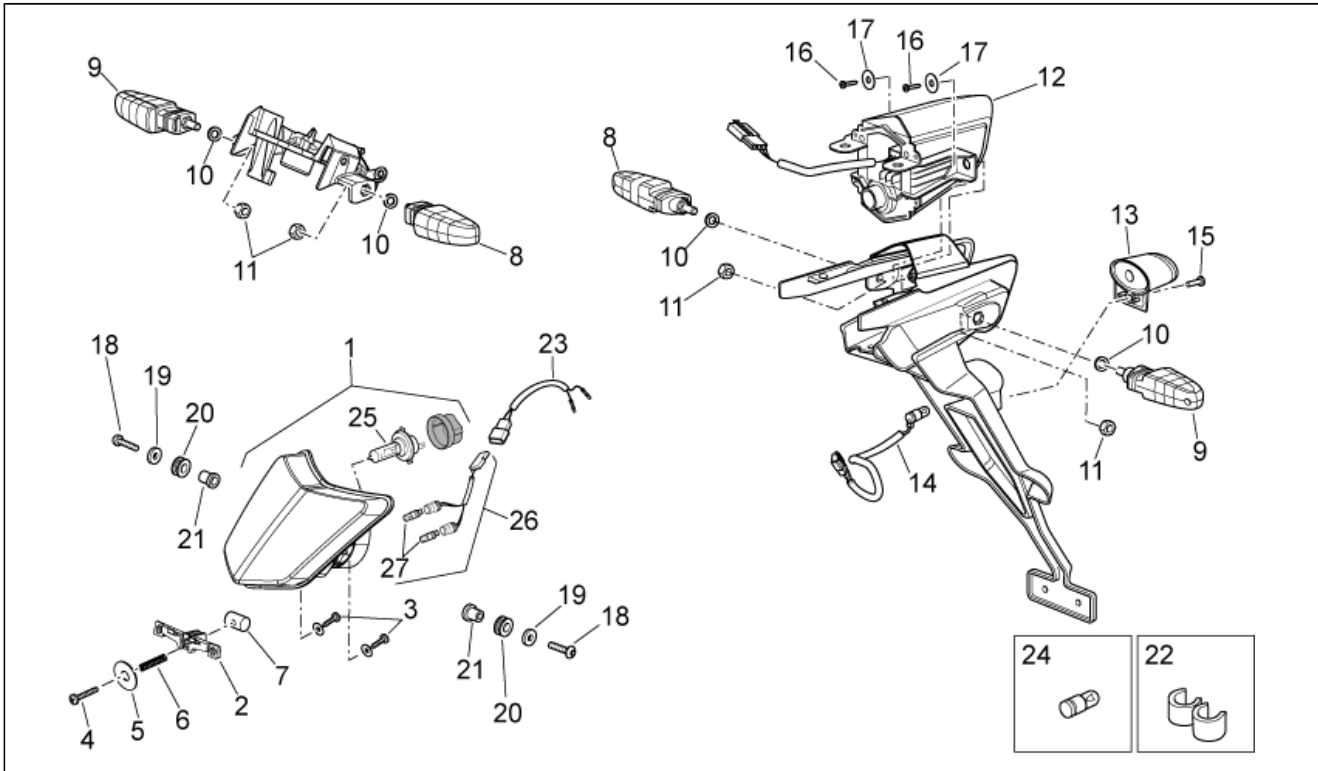
Pos.	Code	Description	Qty	Variants
21	AP9100763	Oil pipe screw	1	Technical Specifications: Motard version[SX]
22	AP8121915	Gasket	4	Technical Specifications: Motard version[SX]
23	AP9100749	Screw w/ flange M10x1,25x40	2	Technical Specifications: Motard version[SX]
24	AP9100712	Front brake hose	1	Technical Specifications: Motard version[SX]
25	851348	Front master cilinder FTE	1	Technical Specifications: Motard version[SX], Upper reg.lever[T2]
25	AP9100711	Front master cilinder FTE	1	Technical Specifications: Motard version[SX], Front reg. lever[T1]

Group	FRAME
Code	28.27
Description	Rear brake system
Service	1



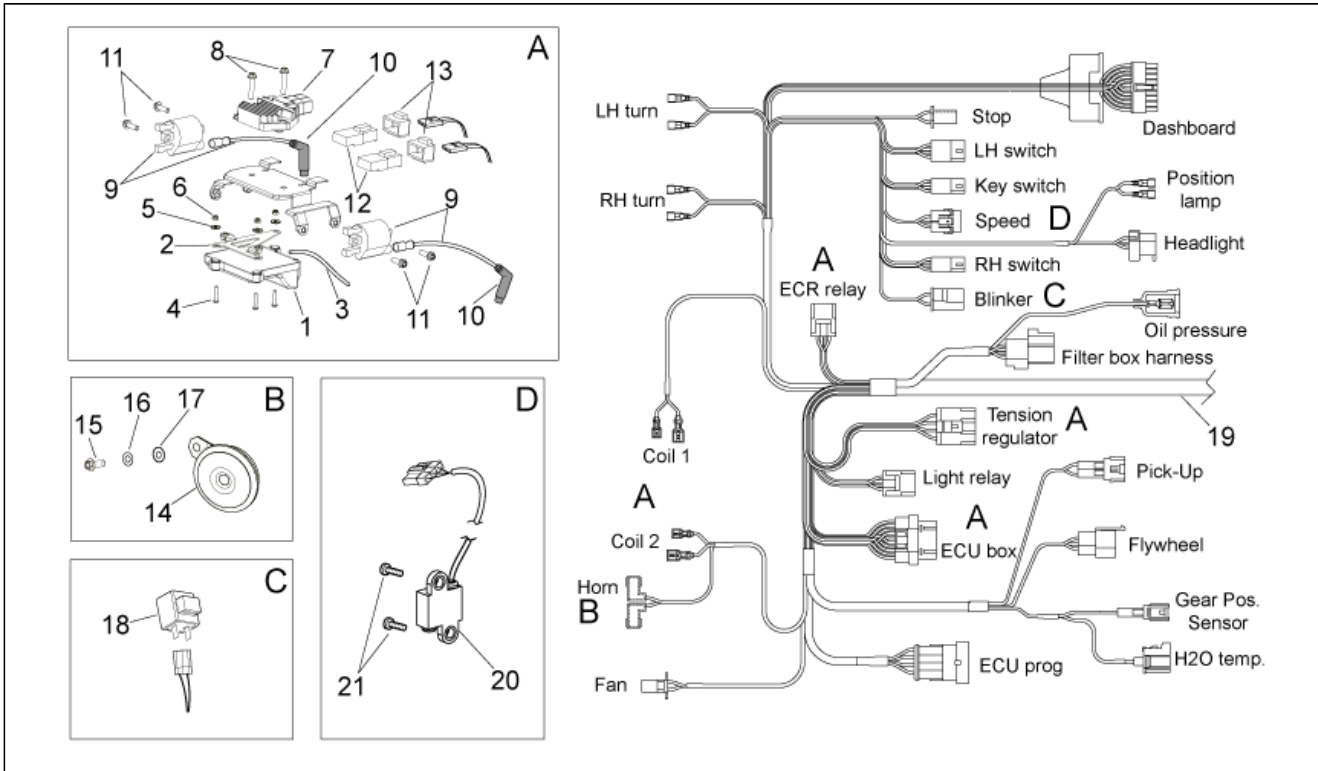
Pos.	Code	Description	Qty	Variants
1	AP9100475	Rear master cylinder	1	
2	AP9100794	Plug revision kit	1	
3	AP9100793	Piston, kit	1	
4	AP9100795	Lever overhaul kit	1	
5	AP9100478	Rear brake hose	1	
6	AP9100472	Hex screw M10x1,25	2	
7	AP9100473	Washer 14x10,2x1	4	
8	AP9100417	Brake light switch	1	
9	AP9100479	Rear brake caliper	1	
10	AP9100797	Pads pair	1	
11	AP9100798	Spring	1	
12	AP9100800	Pin with cotter	1	
13	AP9100799	Plug	1	
14	AP9100796	Brake caliper rev. kit	1	
15	AP9100356	Rear brake lever	1	
16	AP9100290	Bush	1	
17	AP9100291	Spring	1	
18	AP9100477	O-ring 18x2	2	
19	AP9100354	Rear brake lever pin	1	
20	AP8150169	Hex socket screw	1	
21	AP8150017	Washer 8,4x16x1,6*	1	
22	AP8101928	Split pin	1	
23	AP8152278	Screw w/ flange	2	
24	AP9100789	Bleeder kit	1	
25	AP9100752	Spring	2	

Group	FRAME
Code	28.28
Description	Lights
Service	1



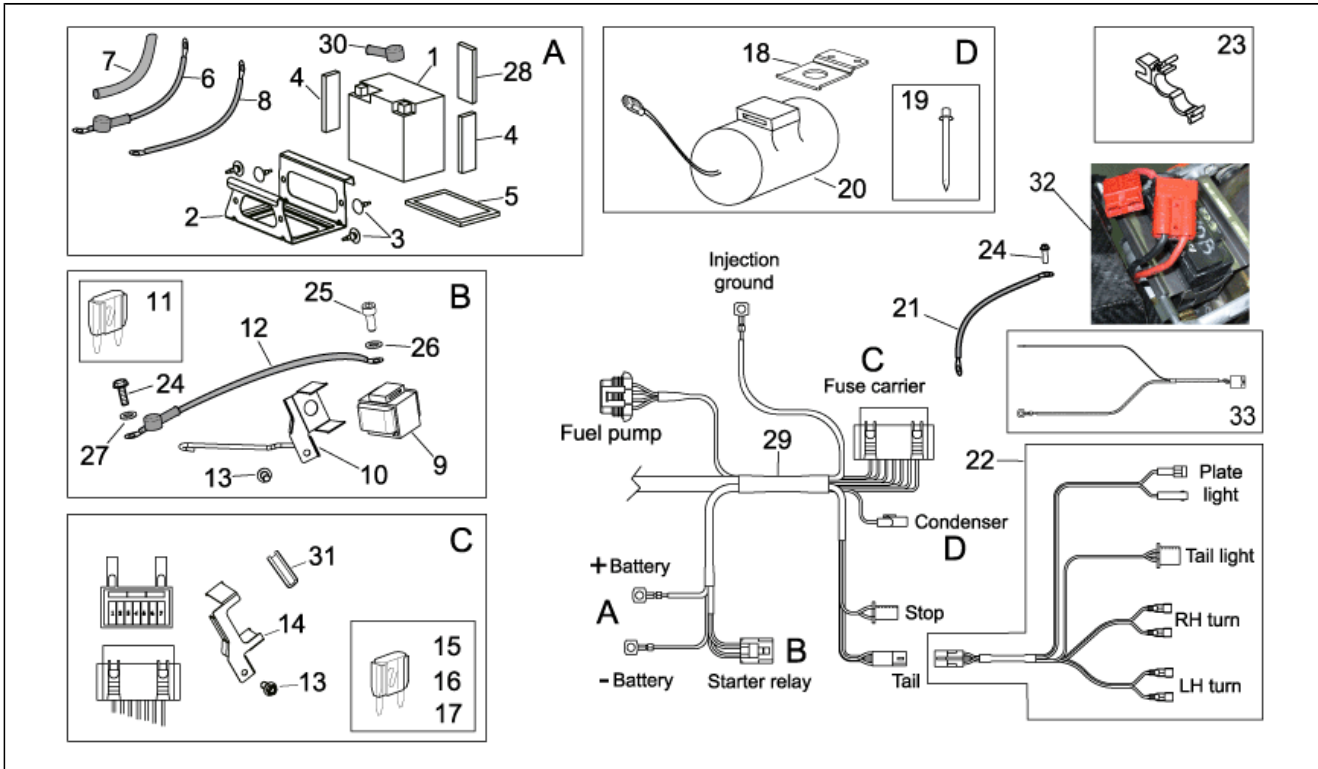
Pos.	Code	Description	Qty	Variants
1	855038	Headlight	1	
2	AP9100635	Headlight adjuster rod	1	
3	AP8150413	Self-tap screw 3,9x14	2	
4	AP8150475	Screw M4x45 z.b.	1	
5	AP8150011	Washer 4,3x12x1*	1	
6	AP8221198	Headlight adjuster spring	1	
7	AP9100747	Bush	1	
8	AP8127657	LH front turn indicator	2	
9	AP8127656	RH front turn indicator	2	
10	AP8150017	Washer 8,4x16x1,6*	4	
11	AP8152262	Low nut	4	
12	AP9100523	Taillight	1	
13	AP8127098	Number-plate light	1	
14	AP8124873	Plate light wiring	1	
15	AP8150413	Self-tap screw 3,9x14	1	
16	AP8150413	Self-tap screw 3,9x14	2	
17	AP8150159	Washer 4,3x16*	2	
18	AP8152137	Hex socket screw	2	
19	AP8152181	Washer 6,4x15x1	2	
20	AP8112600	Rubber spacer *	2	
21	AP8121665	T bush *	2	
22	AP9100519	Spring	3	
23	891109	Wiring	1	
24	AP9100976	Lamp, orange WY2,3W	16	
25	AP8127113	Lamp HS1 35+35W 12V	1	
26	856610	Town lights switch wiring	1	
27	AP8127164	Lamp W3W 12V	2	

Group	FRAME
Code	28.29
Description	Electrical system I
Service	1



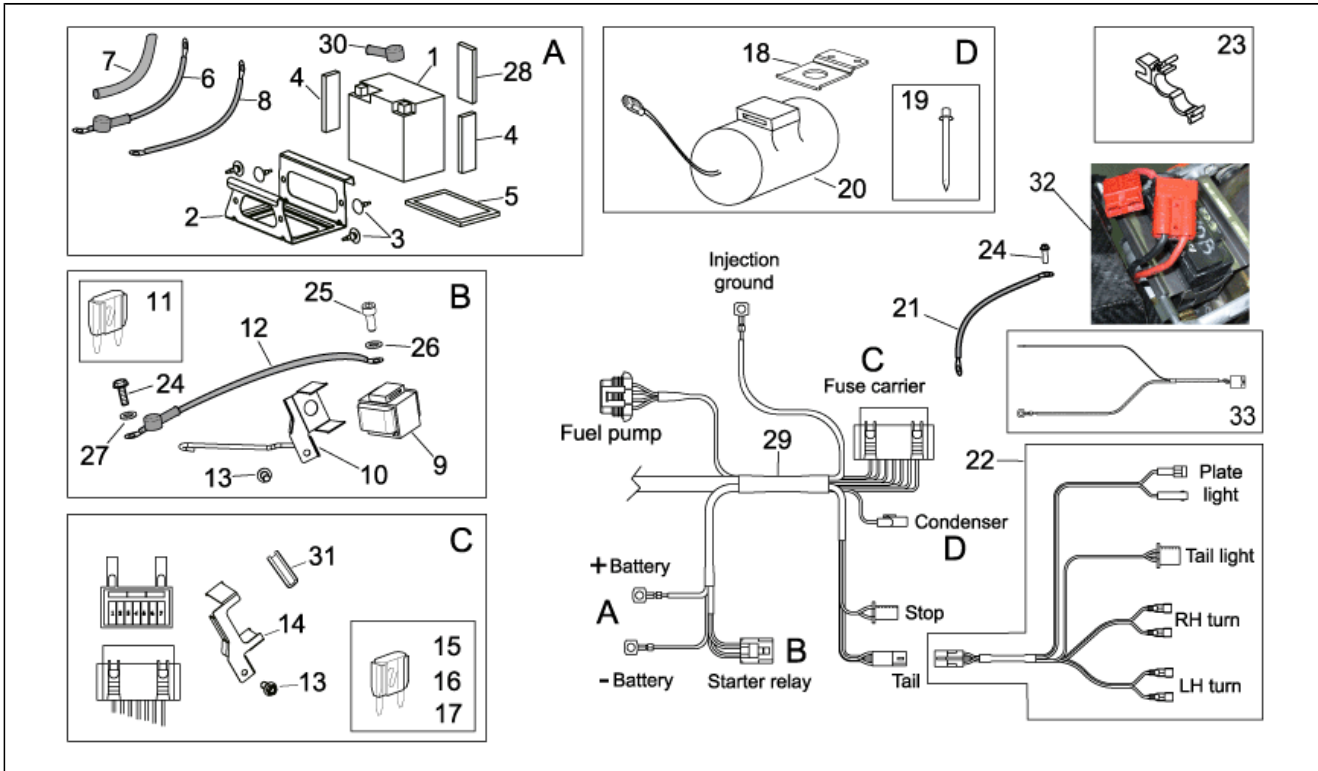
Pos.	Code	Description	Qty	Variants
1	AP9100447	Electronic control unit	1	
2	851023	Control unit support plate	1	
3	AP8220598	Breather pipe	1	
4	AP9100945	Hex socket screw M4x20	3	
5	AP8150011	Washer 4,3x12x1*	3	
6	AP8150204	Nut M4	3	
7	AP9100424	Voltage regulator	1	
8	AP8152281	Screw w/ flange	2	
9	AP9100429	Coil	2	
10	AP9100423	Sparkplug cap	2	
11	AP8152278	Screw w/ flange	4	
12	AP8224462	Relay 12V/30A	2	
13	AP8220283	Rubber spacer *	2	
14	AP8127391	Horn	1	
15	AP8152112	Hex socket screw	1	
16	AP8150376	Washer 8,5x15x0,8	1	
17	AP8150017	Washer 8,4x16x1,6*	1	
18	AP8124235	Flasher unit	1	
19	AP9100568	Main wiring harness	1	
20	AP9100518	Speed sensor	1	Technical Specifications: Motard version[SX]
20	AP9100965	Speed sensor	1	Technical Specifications: Enduro version[RX]
21	AP8150460	Self-tapping screw M4x12	2	

Group	FRAME
Code	28.30
Description	Electrical system II
Service	1



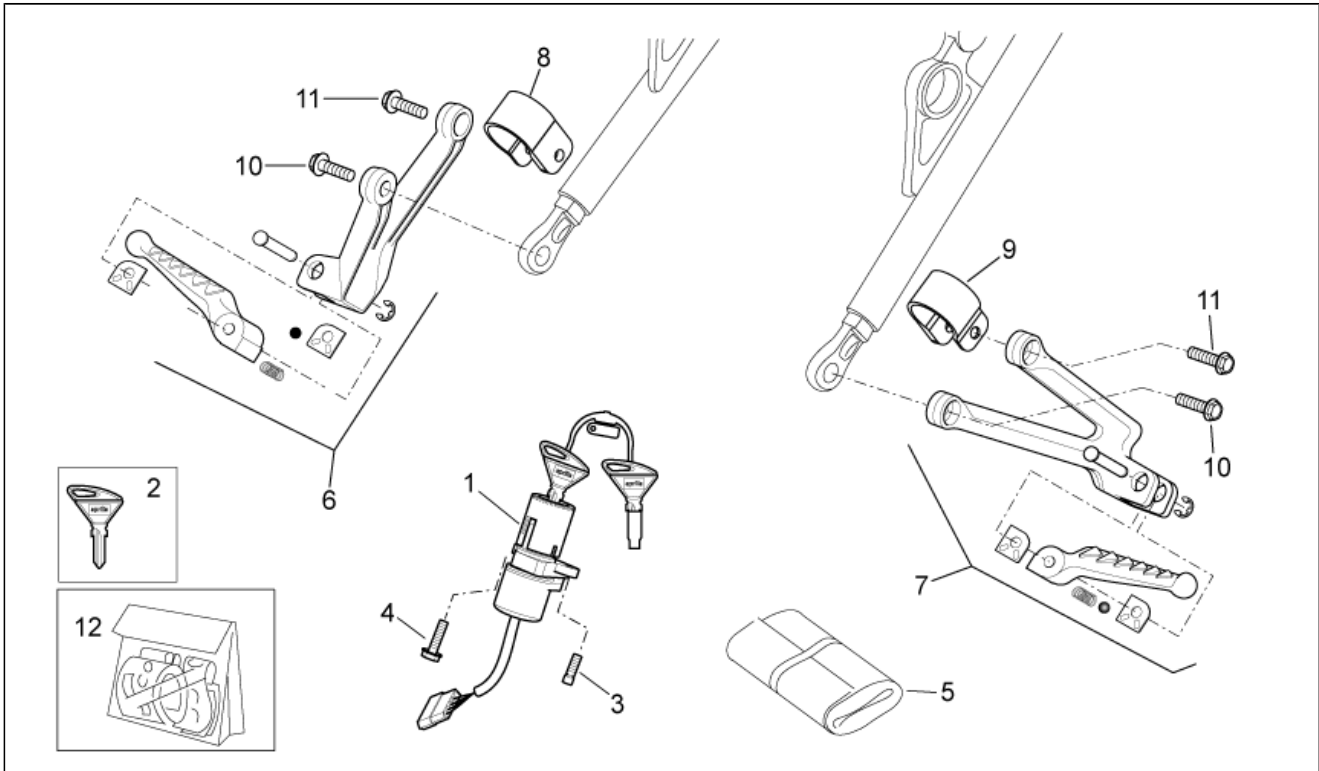
Pos.	Code	Description	Qty	Variants
1	AP9100512	Battery	1	
2	AP9101000	Battery case cpl.	1	
3	AP8120001	Rubber spacer	4	
4	AP8144538	Gasket	2	
5	AP9100725	Rubber spacer	1	
6	AP9100371	Relay battery wiring	1	
7	AP9100393	Rubber pipe 12,8x8,8 L=120	1	
8	AP9100372	Ground-battery lead	1	
9	AP9100487	Starter relay	1	
10	AP9100325	Plate	1	
11	AP8124273	Fuse 30a	2	
12	AP9100558	Starter motor wiring harness	1	
13	AP8152272	Screw w/ flange	2	
14	AP9100327	Fuse block support	1	
15	AP8176099	Fuse	3	
16	AP8112244	Fuse 7,5A	4	
17	AP8112176	Fuse 15A	3	
18	AP9100742	Plate	1	
19	AP9100782	Tearing rivet inox	1	
20	AP9100739	Capacitor 10000 Uf	1	
21	AP9100783	Engine-frame ground wiring	1	
22	AP9100511	Taillight wiring harness	1	
23	AP9100765	Spring	1	
24	AP8152277	Screw w/ flange	1	
25	AP8152123	Hex socket screw	2	
26	AP8150429	Spring washer 6,4x11x0,5*	2	
27	AP8150272	Curved spring washer *	1	
28	AP8117004	Adhesive sponge 15x8	1	

Group	FRAME
Code	28.30
Description	Electrical system II
Service	1



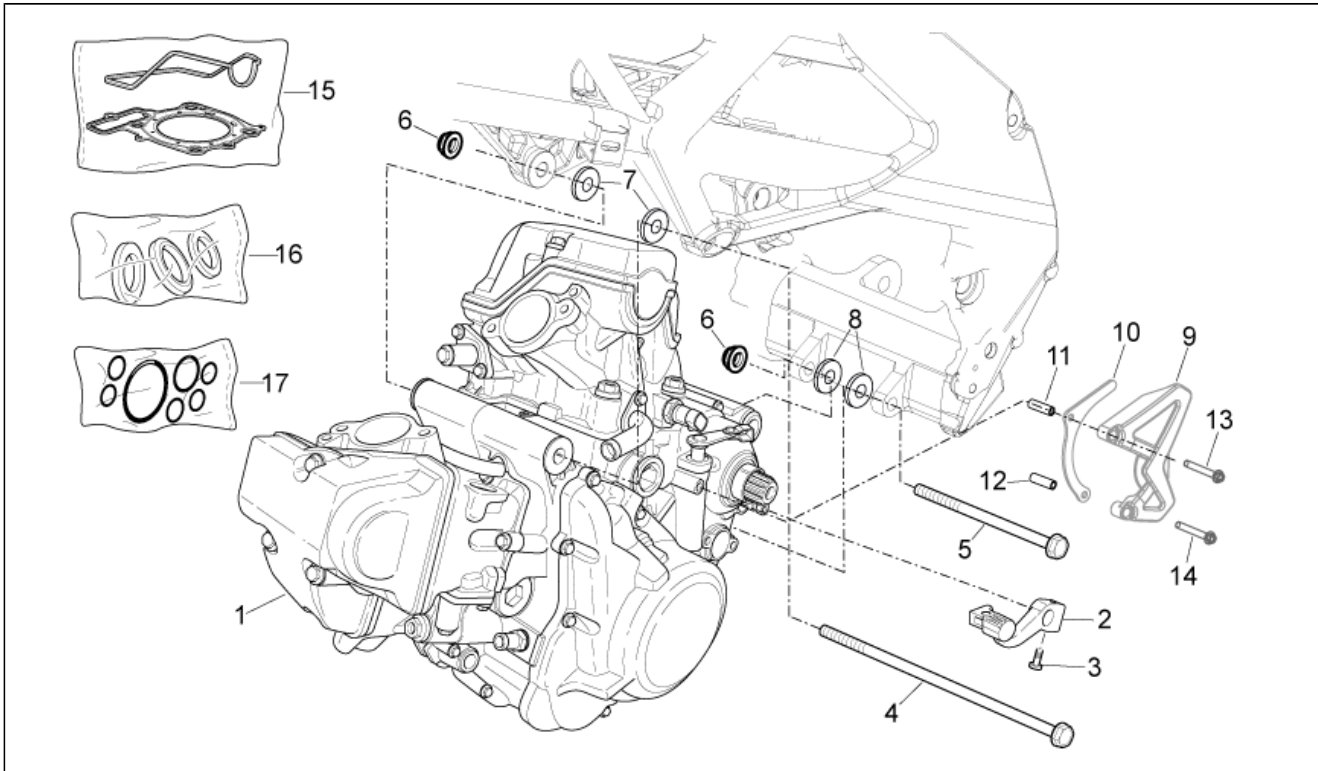
Pos.	Code	Description	Qty	Variants
29	AP9100568	Main wiring harness	1	
30	AP9100959	Terminal cap	1	
31	AP9100997	Gasket	1	
33	855604	Wiring switch	1	

Group	FRAME
Code	28.31
Description	Completing part
Service	1



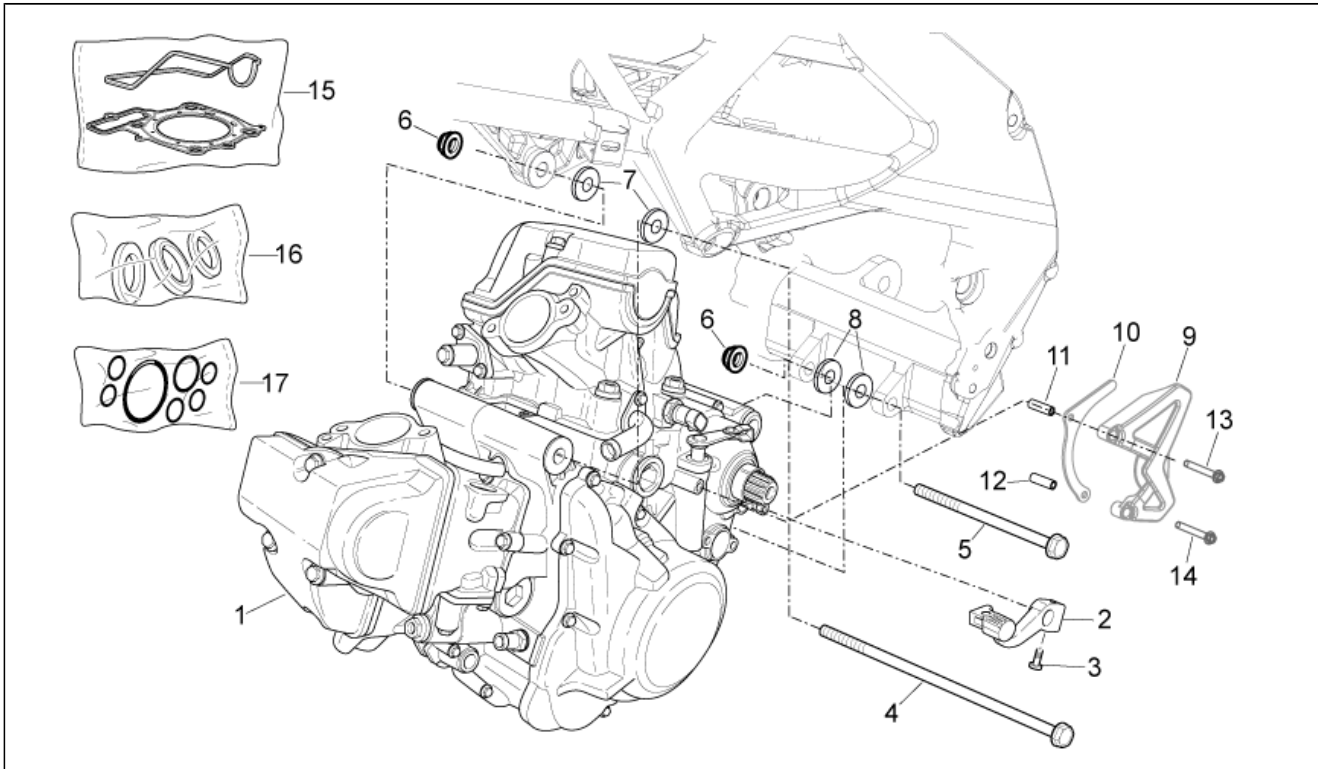
Pos.	Code	Description	Qty	Variants
1	AP9100515	Main switch - steering lock	1	
2	AP8140710	"Aprilia" key w/out transpo.	1	
3	AP8150349	Special screw M8x15	1	
4	AP8150211	Hex socket screw	1	
5	AP9100936	Toolkit	1	Technical Specifications: Enduro version[RX]
5	AP9100994	Toolkit	1	Technical Specifications: Motard version[SX]
6	AP9100757	RH footrest support	1	Technical Specifications: Motard version[SX]
7	AP9100756	LH footrest support	1	Technical Specifications: Motard version[SX]
8	851364	RH support	1	Technical Specifications: Motard version[SX]
9	851363	LH support	1	Technical Specifications: Motard version[SX]
10	AP9100837	Screw w/ flange M10x1,25x36	2	Technical Specifications: Motard version[SX]
11	AP8152287	Screw w/ flange	2	Technical Specifications: Motard version[SX]
12	894633	Decal set	1	Technical Specifications: Enduro version[RX]
12	894634	Decal set	1	Technical Specifications: Motard version[SX]

Group	ENGINE
Code	29.32
Description	Engine
Service	1



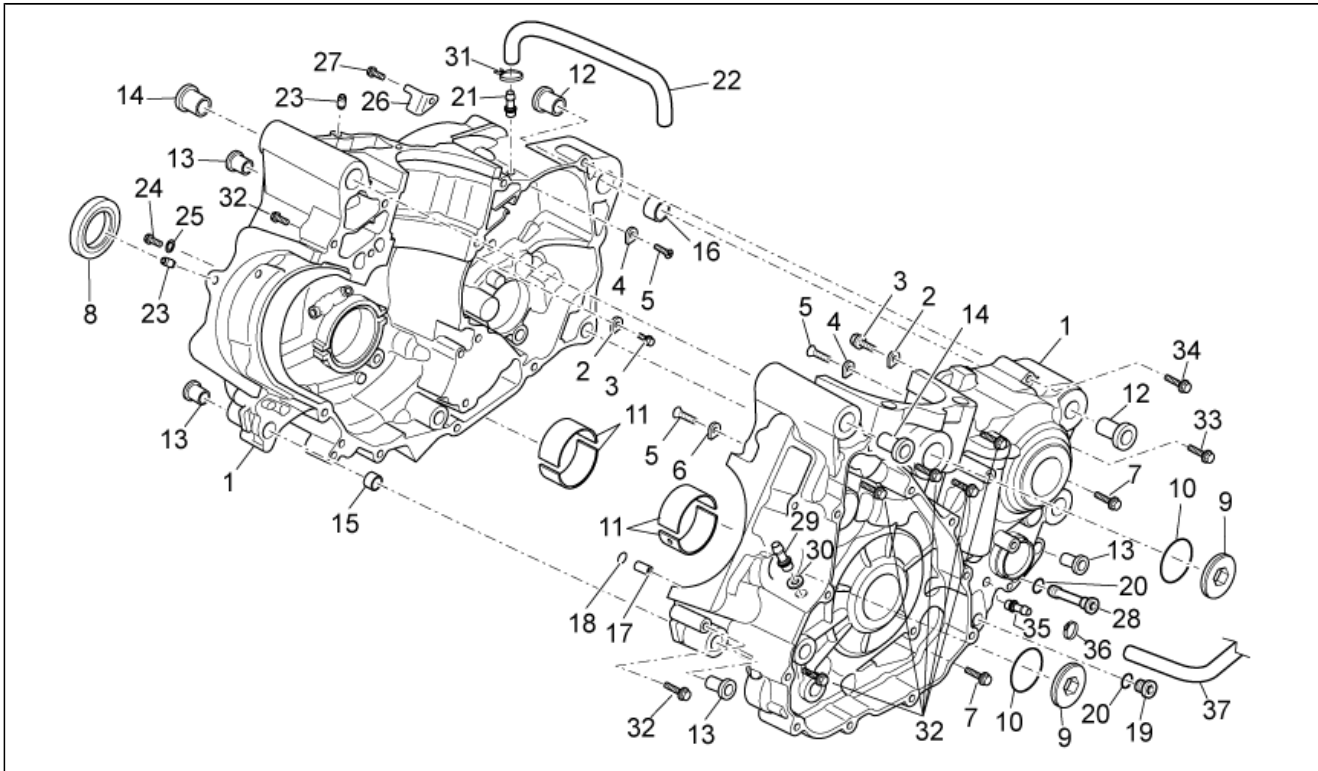
Pos.	Code	Description	Qty	Variants
1	CM2362045	Engine	1	Technical Specifications: Enduro version 450[RX45]
1	CM2362055	Engine	1	Technical Specifications: Motard version 450[SX45]
1	CM2363045	Engine	1	Technical Specifications: Enduro version 550[RX55]
1	CM2363055	Engine	1	Technical Specifications: Motard version 550[SX55]
2	AP9100411	Gear lever	1	
3	AP8152280	Screw w/ flange	1	
4	AP9100593	Screw M10x1,25 L=202	1	
5	AP9100443	Screw M10x1,25 L=102	1	
6	AP9100643	Self-locking nut M10x1,25	2	
7	AP9100687	Washer 28x10,5x3	2	
8	AP9100683	Washer 18x10,5x0,5	2	
8	AP9100684	Washer 18x10,5x1	2	
8	AP9100685	Washer 18x10,5x1,5	2	
8	AP9100686	Washer 18x10,5x2	2	
9	AP9100374	Sprocket cover	1	
10	AP9100367	Chain guide	1	
11	AP9100383	Bush	1	Technical Specifications: Motard version[SX]
12	AP9100381	Bush	1	Technical Specifications: Motard version[SX]
12	AP9100550	Bush	1	Technical Specifications: Enduro version[RX]
13	AP8152281	Screw w/ flange	1	Technical Specifications: Enduro version[RX]
13	AP9100433	Screw w/ flange M6x50	1	Technical Specifications: Motard version[SX]
14	AP8152283	Screw w/ flange	1	Technical Specifications: Enduro version[RX]
14	AP9150395	Screw w/ flange M6x60	1	Technical Specifications: Motard version[SX]
15	855834	Gasket set	2	Technical Specifications: From engine n.3020[M22], Motard version 450[SX45]
15	855834	Gasket set	2	Technical Specifications: From engine n.3013[M18], Enduro version 450[RX45]

Group	ENGINE
Code	29.32
Description	Engine
Service	1



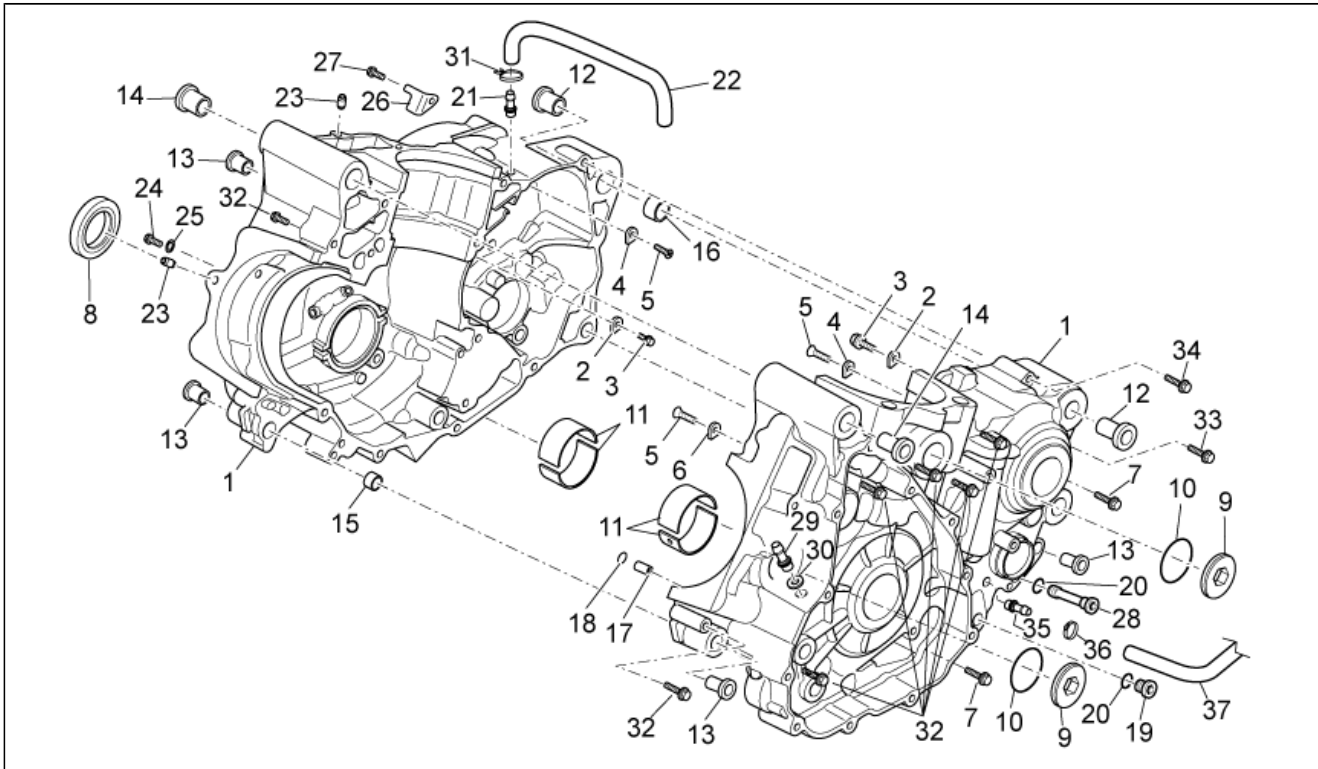
Pos.	Code	Description	Qty	Variants
15	855835	Gasket set	2	Technical Specifications: From eng.n.4058 up to eng.n.4076, from eng.n.4137[M24], Motard version 550[SX55]
15	855835	Gasket set	2	Technical Specifications: From engine n.2436[M20], Enduro version 550[RX55]
15	AP9150490	Gasket set	2	Technical Specifications: Up to engine n.3019[M21], Motard version 450[SX45]
15	AP9150490	Gasket set	2	Technical Specifications: Up to engine n.3012[M17], Enduro version 450[RX45]
15	AP9150491	Gasket set	2	Technical Specifications: Up to eng.n.4057, from eng.n.4077 up to eng.n.4136[M23], Motard version 550[SX55]
15	AP9150491	Gasket set	2	Technical Specifications: Up to engine n.2435[M19], Enduro version 550[RX55]
16	AP9150492	Oil seals - set	1	
17	AP9150493	OR set	1	

Group	ENGINE
Code	29.33
Description	Crankcase I
Service	1



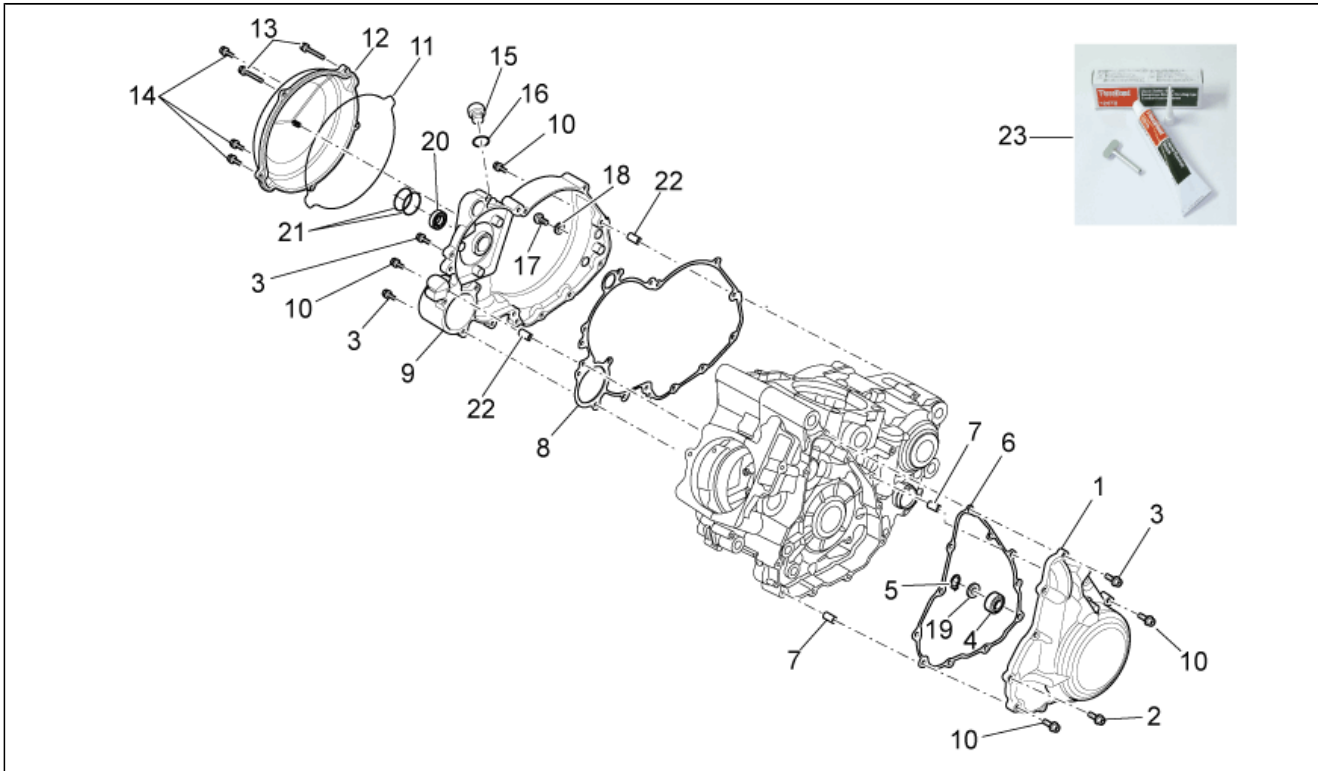
Pos.	Code	Description	Qty	Variants
1	AP9150079	Carter, pair	1	Technical Specifications: Enduro version 450[RX45]
1	AP9150080	Carter, pair	1	Technical Specifications: Motard version 450[SX45]
1	AP9150089	Carter, pair	1	Technical Specifications: Motard version 550[SX55]
1	AP9150239	Carter, pair	1	Technical Specifications: Enduro version 550[RX55]
2	AP9150146	Check bearing plate	3	
3	AP8152277	Screw w/ flange	3	
4	AP9150145	Check bearing plate	2	
5	AP9150394	Screw M6x12	3	
6	AP9150489	Check bearing plate	1	
7	AP8152283	Screw w/ flange	6	
8	AP9150435	Oil seal D32x45x6	1	
9	AP9150149	Plug	2	
10	AP9150353	O-ring D26,65x2,62	2	
11	AP9150324	Bearing half-shell, green	4	
11	AP9150456	Bushing half-shell, blue	4	
11	AP9150457	Bushing half-shell, yellow	4	
12	AP9150440	T bush 34x21x10,5-L18	2	
13	AP9150441	T bush 28x13x10,5-L11,5	2	
14	AP9150442	T bush 19x13x10,5-L11,5	4	
15	AP9150116	Bush D16x19X13	1	
16	AP9150115	Bush D18x21X19	1	
17	AP9150117	Pin D7,2x9x12	1	
18	AP9150350	O-ring D8,73x1,78	1	
19	AP9150174	Oil unload plug	1	
20	AP9150349	Seal washer D12x18x1,5	2	
21	AP9150533	Union	1	
22	AP9150471	Breather pipe	1	
23	AP9150346	Jet	2	

Group	ENGINE
Code	29.33
Description	Crankcase I
Service	1



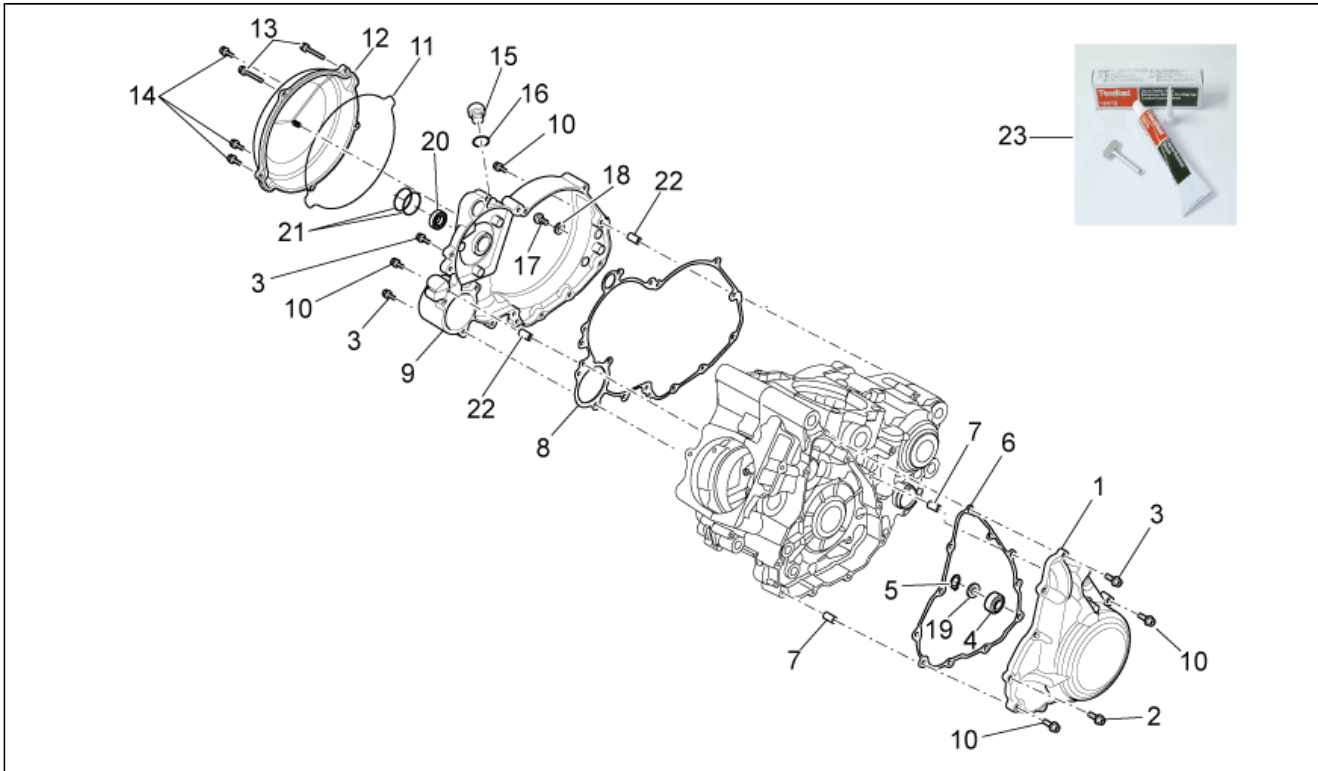
Pos.	Code	Description	Qty	Variants
24	AP8152285	Screw w/ flange	1	
25	AP8121862	Washer D8x16x1,5	1	
26	AP9150439	Plate	1	
27	AP8152277	Screw w/ flange	1	
28	AP9150078	Oil unload plug	1	
29	AP9150109	Union	1	
30	AP9150349	Seal washer D12x18x1,5	1	
31	AP8102377	Hose clamp D9,1*	1	
32	AP9150526	Screw w/ flange M7X1X42	7	
33	AP8560104	Screw w/ flange M6x65	1	
34	AP8560106	Screw w/ flange M6x75	1	
35	AP9150344	Union	1	
36	AP9100998	Hose clip	1	
37	AP9150545	Breather pipe 5x9	1	

Group	ENGINE
Code	29.34
Description	Crankcase II
Service	1



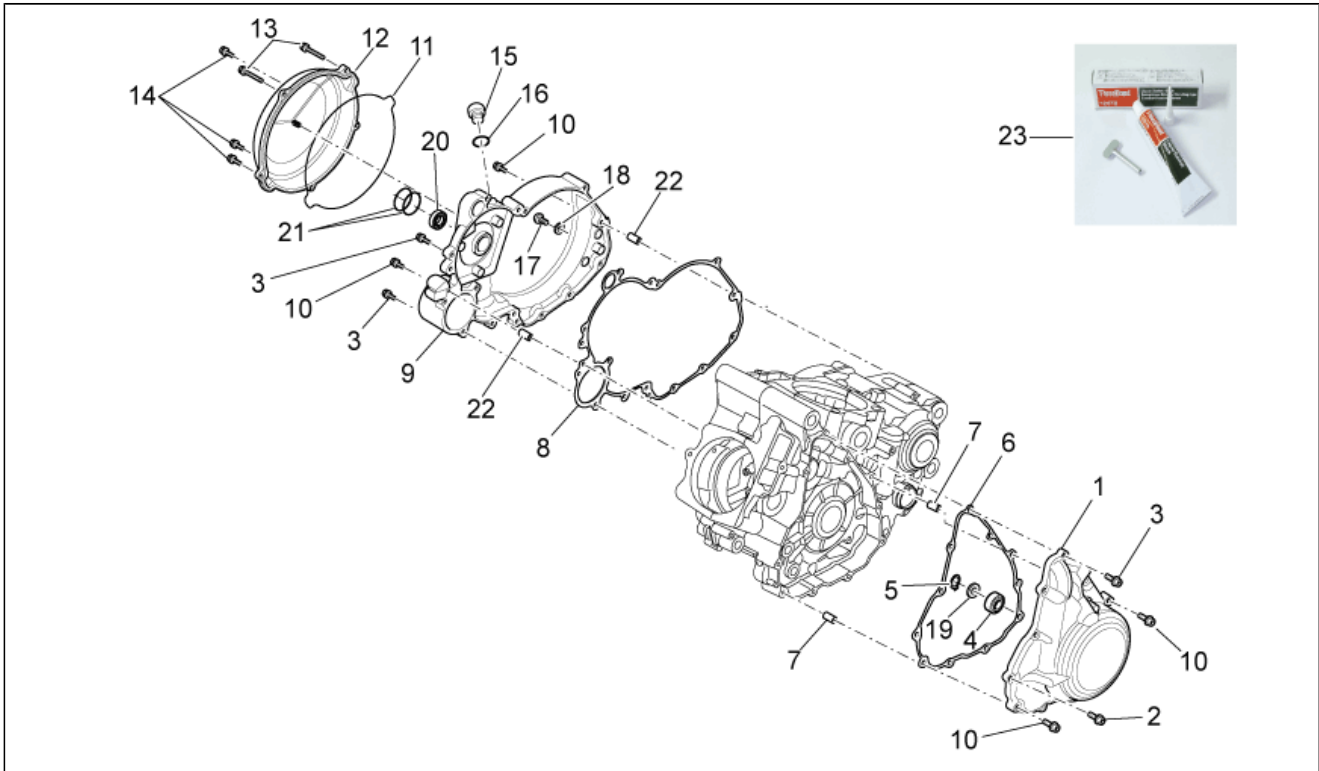
Pos.	Code	Description	Qty	Variants
1	855242	Ignition cover	1	Technical Specifications: Enduro version[RX]
1	AP9150152	Ignition cover	1	Technical Specifications: Motard version[SX]
2	AP8152279	Screw w/ flange M6x20	9	
3	AP8152280	Screw w/ flange	10	
4	851315	Oil seal D12x22x5,5	1	
5	AP9150524	Circlip D25	1	
6	AP9150153	Gasket	1	
7	AP9150118	Bush D6,2x8X15	2	
8	AP9150148	Gasket	1	
9	851019	Clutch side cover	1	Technical Specifications: From engine n°1130[M8], Motard version 550[SX55]
9	851019	Clutch side cover	1	Technical Specifications: From engine n°1101[M6], Enduro version 550[RX55]
9	851019	Clutch side cover	1	Technical Specifications: From engine n°1502[M4], Motard version 450[SX45]
9	851019	Clutch side cover	1	Technical Specifications: From engine n°1460[M2], Enduro version 450[RX45]
9	AP9150147	Clutch side cover	1	Technical Specifications: UP to engine n°1501[M3], Motard version 450[SX45]
9	AP9150147	Clutch side cover	1	Technical Specifications: UP to engine n°1129[M7], Motard version 550[SX55]
9	AP9150147	Clutch side cover	1	Technical Specifications: UP to engine n°1459[M1], Enduro version 450[RX45]
9	AP9150147	Clutch side cover	1	Technical Specifications: UP to engine n°1100[M5], Enduro version 550[RX55]
10	AP8152282	Screw w/ flange M6x35	4	
11	AP9150150	O-ring D171,13x2,62	1	
12	AP9150094	Complete clutch cover	1	
13	AP9150395	Screw w/ flange M6x60	2	
14	AP8152278	Screw w/ flange	3	

Group	ENGINE
Code	29.34
Description	Crankcase II
Service	1



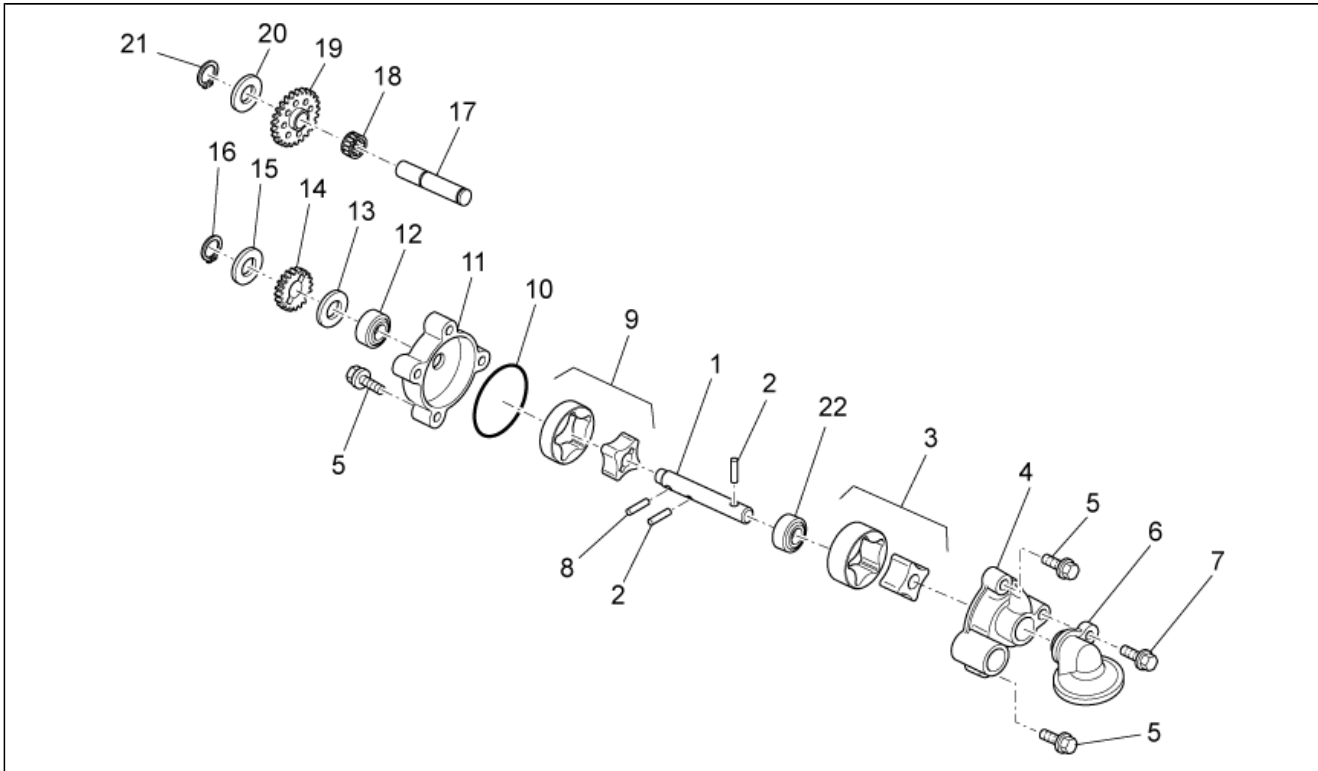
Pos.	Code	Description	Qty	Variants
15	AP9150410	Oil plug M20x1,5	1	
16	AP9150356	O-ring D18,72x2,62	1	
17	AP9150473	Hex socket screw M6x10	1	
18	AP9150351	Seal washer D6x12x1	1	
19	AP9150522	Oil seal cup	1	
20	851015	Ball bearing 10x19x5	1	Technical Specifications: From engine n°1460[M2], Enduro version 450[RX45]
20	851015	Ball bearing 10x19x5	1	Technical Specifications: From engine n°1101[M6], Enduro version 550[RX55]
20	851015	Ball bearing 10x19x5	1	Technical Specifications: From engine n°1502[M4], Motard version 450[SX45]
20	851015	Ball bearing 10x19x5	1	Technical Specifications: From engine n°1130[M8], Motard version 550[SX55]
21	851012	O-ring 20x1	2	Technical Specifications: From engine n°1101[M6], Enduro version 550[RX55]
21	851012	O-ring 20x1	2	Technical Specifications: From engine n°1130[M8], Motard version 550[SX55]
21	851012	O-ring 20x1	2	Technical Specifications: From engine n°1460[M2], Enduro version 450[RX45]
21	851012	O-ring 20x1	2	Technical Specifications: From engine n°1502[M4], Motard version 450[SX45]
22	851017	Bush D6,2x7,8X15	2	Technical Specifications: From engine n°1460[M2], Enduro version 450[RX45]
22	851017	Bush D6,2x7,8X15	2	Technical Specifications: From engine n°1130[M8], Motard version 550[SX55]
22	851017	Bush D6,2x7,8X15	2	Technical Specifications: From engine n°1101[M6], Enduro version 550[RX55]
22	851017	Bush D6,2x7,8X15	2	Technical Specifications: From engine n°1502[M4], Motard version 450[SX45]
22	AP9150118	Bush D6,2x8X15	2	Technical Specifications: UP to engine n°1100[M5], Enduro version 550[RX55]

Group	ENGINE
Code	29.34
Description	Crankcase II
Service	1



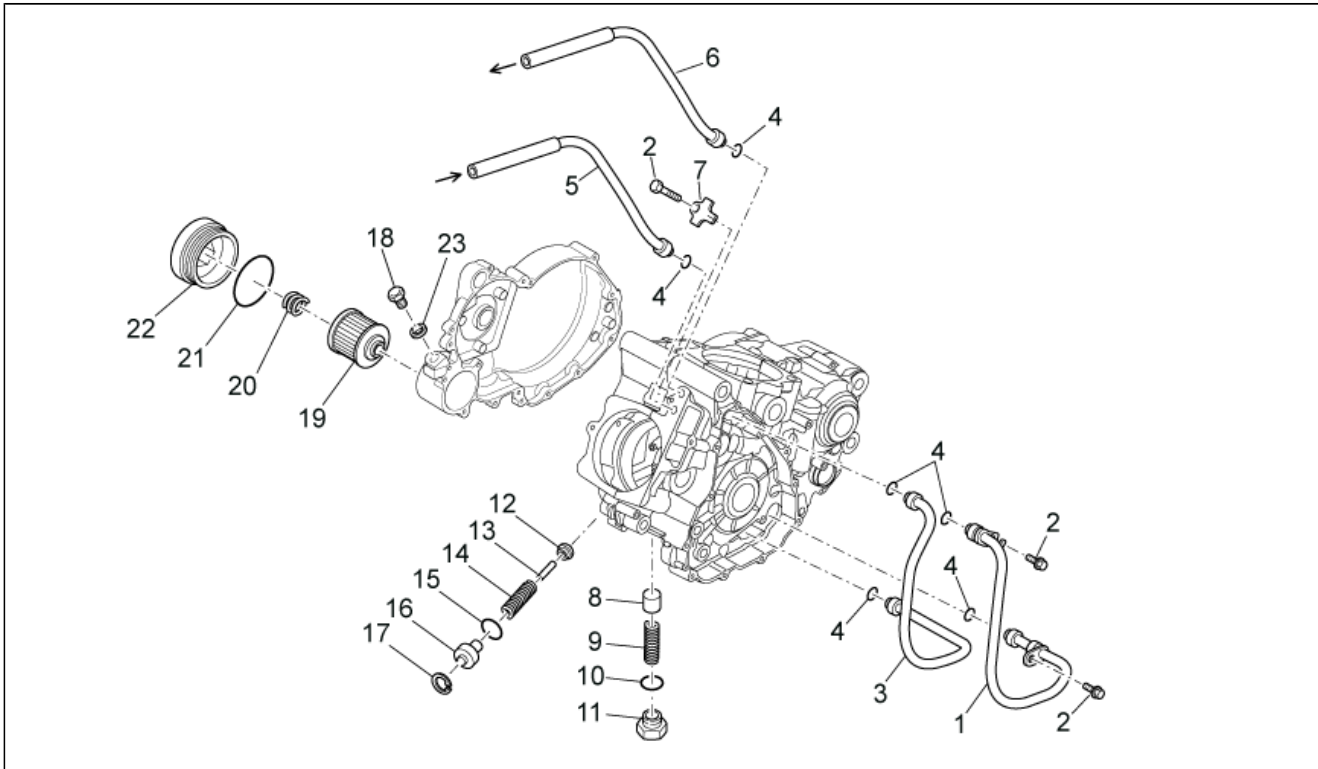
Pos.	Code	Description	Qty	Variants
22	AP9150118	Bush D6,2x8X15	2	Technical Specifications: UP to engine n°1129[M7], Motard version 550[SX55]
22	AP9150118	Bush D6,2x8X15	2	Technical Specifications: UP to engine n°1501[M3], Motard version 450[SX45]
22	AP9150118	Bush D6,2x8X15	2	Technical Specifications: UP to engine n°1459[M1], Enduro version 450[RX45]
23	855252	Sealing compound	1	

Group	ENGINE
Code	29.35
Description	Oil pump
Service	1



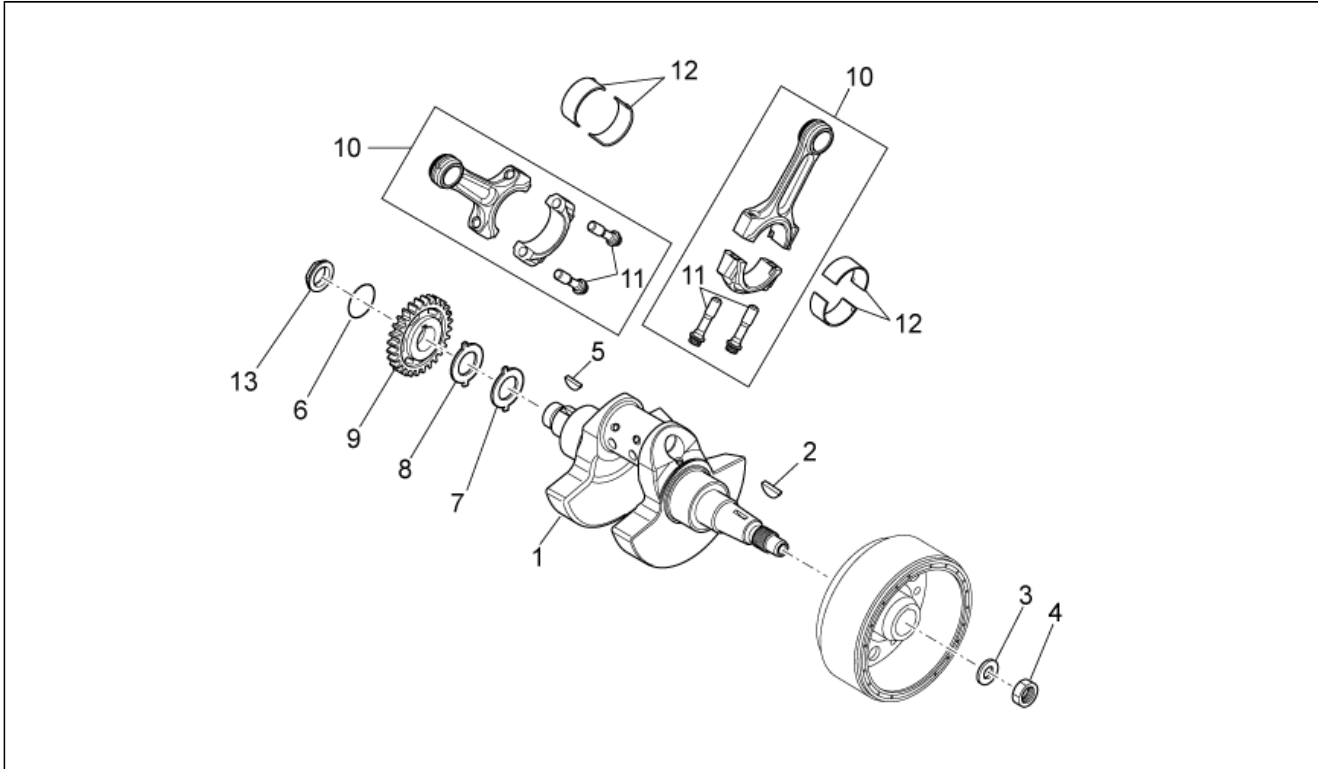
Pos.	Code	Description	Qty	Variants
1	AP9150071	Oil pump shaft assy.	1	
2	AP9150377	Pin 4x15,8	2	
3	AP9150157	Internal and external rotor H19	1	
4	AP9150158	Oil pump housing	1	
5	AP8152280	Screw w/ flange	6	
6	AP9150162	Filter with net-air intake	1	
7	AP8152281	Screw w/ flange	1	
8	AP9150376	Pin 4x13,8	1	
9	AP9150291	Internal and external rotor H8	1	
10	AP9150461	O-ring D44,17x1,78	1	
11	AP9150217	Oil pump housing	1	
12	AP9150385	Oil seal D19x10x7/5.5	1	
13	AP9150076	Clearance washer 10,1x23	1	
14	AP9150159	Oil pump gear Z=12	1	
15	AP9150075	Clearance washer 9,1x16x	1	
16	AP9150396	Circlip 9x1	1	
17	AP9150160	Pin 4x25,8	1	
18	AP9150463	Roller cage D11x16x10	1	
19	AP9150161	Idle gear Z=22	1	
20	AP9150074	Clearance washer 11,1x18	1	
21	AP9150397	Circlip D11	1	
22	AP9150443	Oil seal D10x16x4	1	

Group	ENGINE
Code	29.36
Description	Lubrication
Service	1



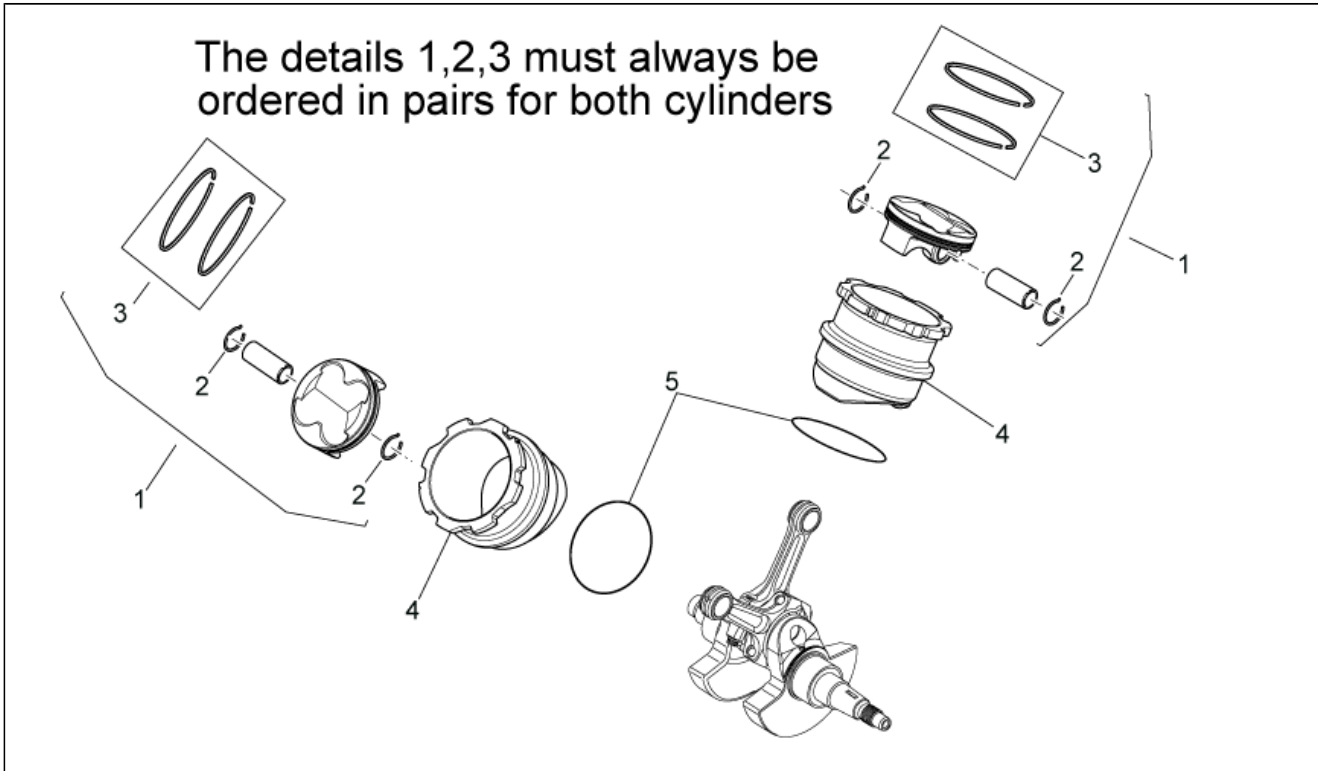
Pos.	Code	Description	Qty	Variants
1	AP9150281	Oil outlet pipe	1	
2	AP8152277	Screw w/ flange	3	
3	AP9150280	Oil inlet pipe	1	
4	AP9150347	O-ring D11x2	6	
5	AP9100358	Oil outlet pipe	1	
6	AP9100362	Oil inlet pipe	1	
7	AP9100292	Lock plate	1	
8	AP9150168	Pressure adj. piston	1	
9	AP9150169	Spring	1	
10	AP9150476	O-ring D11,11x1,78	1	
11	AP9150170	Valve closer screw M14x1,5	1	
12	AP9150171	Oil anti-return valve	1	
13	AP9150321	Pin	1	
14	AP9150173	Spring	1	
15	AP9150477	O-ring D14x1,78	1	
16	AP9150172	Coupling bush	1	
17	AP9150398	Circlip D18	1	
18	851240	Plug	1	
19	AP9150166	Oil filter	1	
20	AP9150167	Spring	1	
21	AP9150355	O-ring D53,65x2,68	1	
22	AP9150151	Oil filter cover	1	
23	AP9150472	Gasket 10,5x17x1,5	1	

Group	ENGINE
Code	29.37
Description	Drive shaft
Service	1



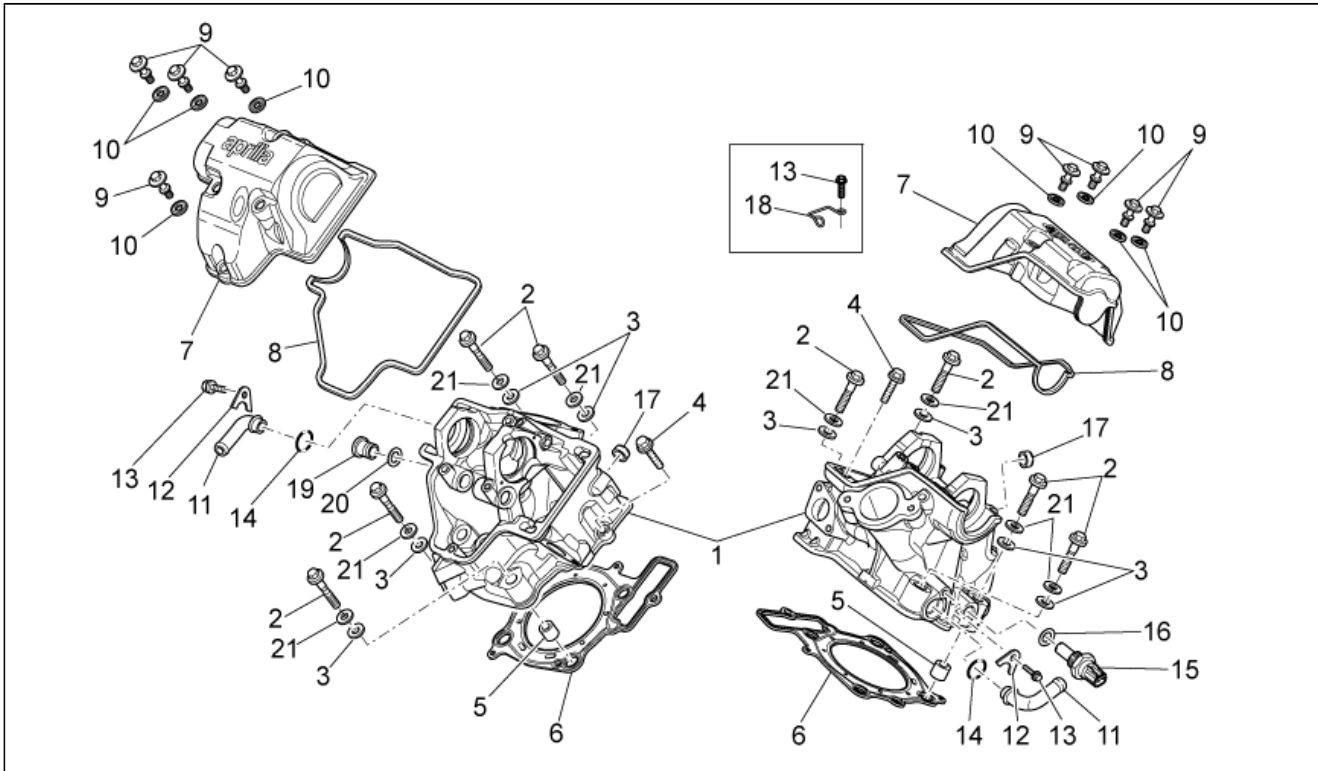
Pos.	Code	Description	Qty	Variants
1	AP9150019	Drive shaft	1	Technical Specifications: 450 cc.Version[450]
1	AP9150527	Drive shaft	1	Technical Specifications: 550 cc.Version[550]
2	851007	Flywheel key D3x4,8	1	
3	AP9150437	Washer D15x28x2,5	1	
4	AP9150436	Nut M14x1	1	
5	AP9150402	Transmission key 4x6,5	1	
6	AP9150525	O-ring D16x3,5	1	
7	AP9150065	Fifth wheel 44x53x2	1	
8	AP9150066	Fifth wheel 36x50x1,4	1	
9	AP9150210	Pinion	1	
10	AP9150018	Connecting rod cpl.	2	Technical Specifications: 450 cc.Version[450]
10	AP9150315	Connecting rod cpl.	2	Technical Specifications: 550 cc.Version[550]
11	AP9150127	Connecting rod screw	4	
12	AP9150323	Bushing, green 35x38x16,5	4	
12	AP9150454	Bushing, blue 35x38x16,5	4	
12	AP9150455	Bushing, yellow 35x38x16,5	4	
13	AP9150236	Flanged nut M18x1,25	1	

Group	ENGINE
Code	29.38
Description	Cylinder with piston
Service	1



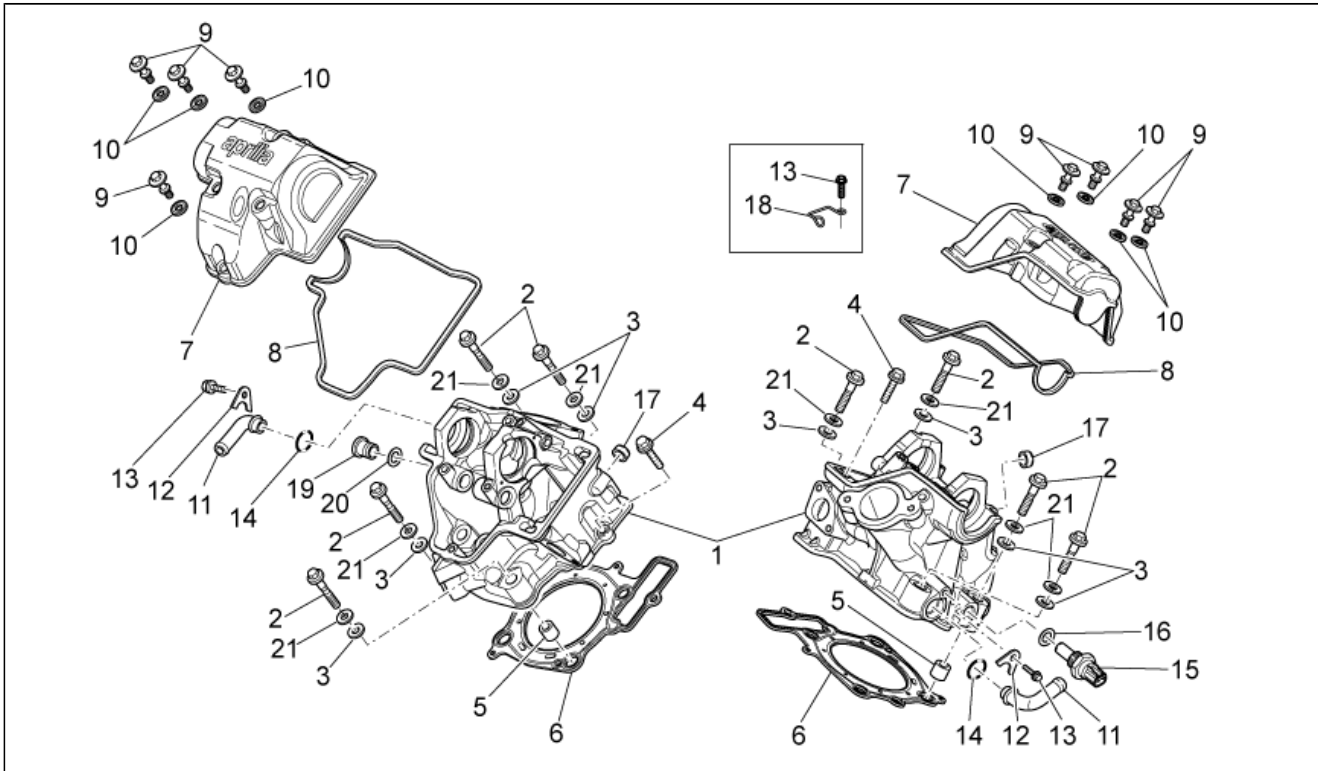
Pos.	Code	Description	Qty	Variants
1	851035	Piston assy D76	2	Technical Specifications: 450 cc.Version[450]
1	851039	Piston assy D80	2	Technical Specifications: 550 cc.Version[550]
2	851042	Stop ring	4	Technical Specifications: 550 cc.Version[550]
2	851045	Stop ring	4	Technical Specifications: 450 cc.Version[450]
3	851298	Piston rings set D76	2	Technical Specifications: 450 cc.Version[450]
3	855601	Piston rings set D80	2	Technical Specifications: 550 cc.Version[550]
4	AP9150007	Cylinder D76	2	Technical Specifications: 450 cc.Version[450]
4	AP9150301	Cylinder D80	2	Technical Specifications: 550 cc.Version[550]
5	AP9150343	O-ring D82,22x2,62	2	

Group	ENGINE
Code	29.39
Description	Cylinder head
Service	1



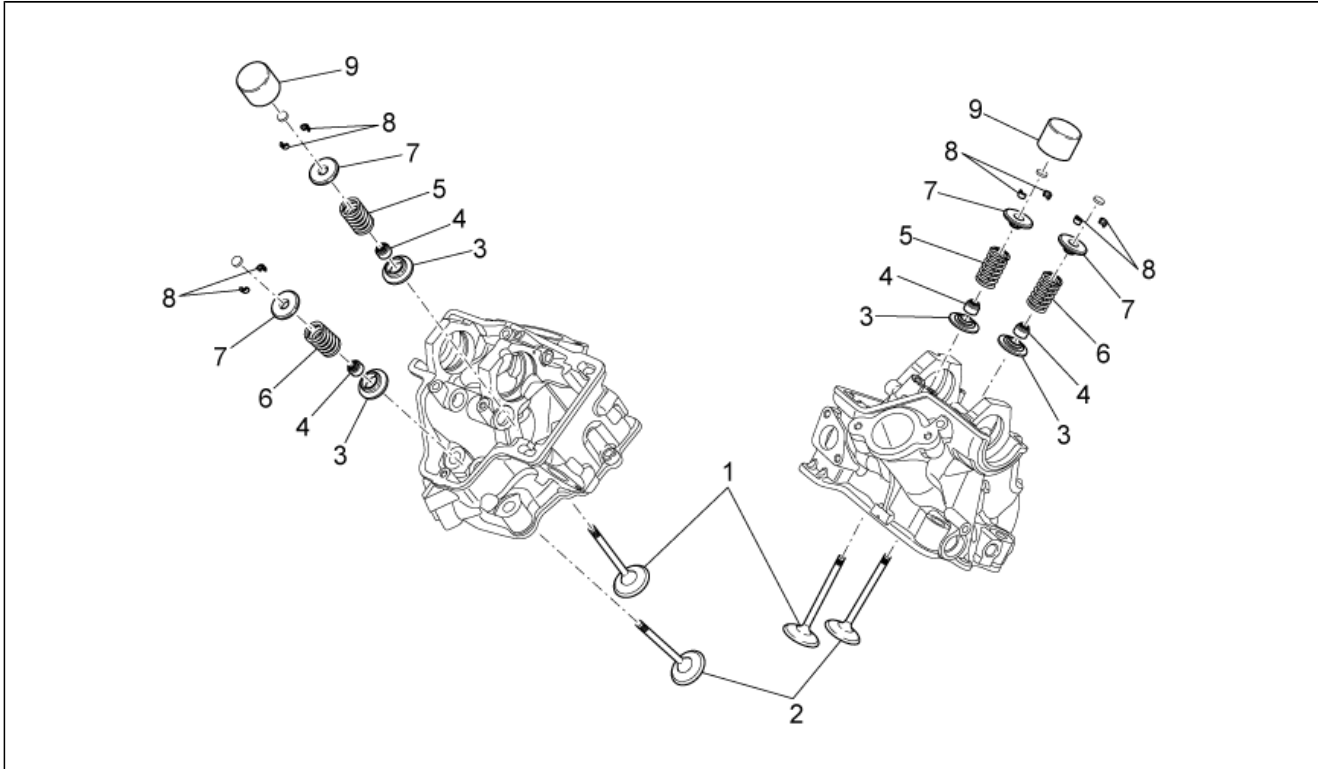
Pos.	Code	Description	Qty	Variants
1	AP9150317	Cylinder head assy.	2	
2	AP9150112	Screw w/ flange M10x58,5	8	
3	AP9150113	Washer D10x20x2	8	
4	AP8152280	Screw w/ flange	2	
5	AP9150114	Bush	4	
6	855034	Cylinder head gasket	2	Technical Specifications: From engine n.3013[M18], Enduro version 450[RX45]
6	855034	Cylinder head gasket	2	Technical Specifications: From engine n.3020[M22], Motard version 450[SX45]
6	855035	Cylinder head gasket	2	Technical Specifications: From engine n.2436[M20], Enduro version 550[RX55]
6	855035	Cylinder head gasket	2	Technical Specifications: From eng.n.4058 up to eng.n.4076, from eng.n.4137[M24], Motard version 550[SX55]
6	AP9150008	Cylinder head gasket	2	Technical Specifications: Up to engine n.3019[M21], Motard version 450[SX45]
6	AP9150008	Cylinder head gasket	2	Technical Specifications: Up to engine n.3012[M17], Enduro version 450[RX45]
6	AP9150509	Cylinder head gasket	2	Technical Specifications: Up to eng.n.4057, from eng.n.4077 up to eng.n.4136[M23], Motard version 550[SX55]
6	AP9150509	Cylinder head gasket	2	Technical Specifications: Up to engine n.2435[M19], Enduro version 550[RX55]
7	AP9150009	Head cover	2	
8	AP9150010	Cover gasket	2	
9	AP9150111	Special screw	8	
10	AP9150110	Gasket	8	
11	AP9150120	Union	2	
12	AP9150121	Plate	2	
13	AP8152277	Screw w/ flange	3	
14	AP9150469	O-ring D13,95x2,62	2	

Group	ENGINE
Code	29.39
Description	Cylinder head
Service	1



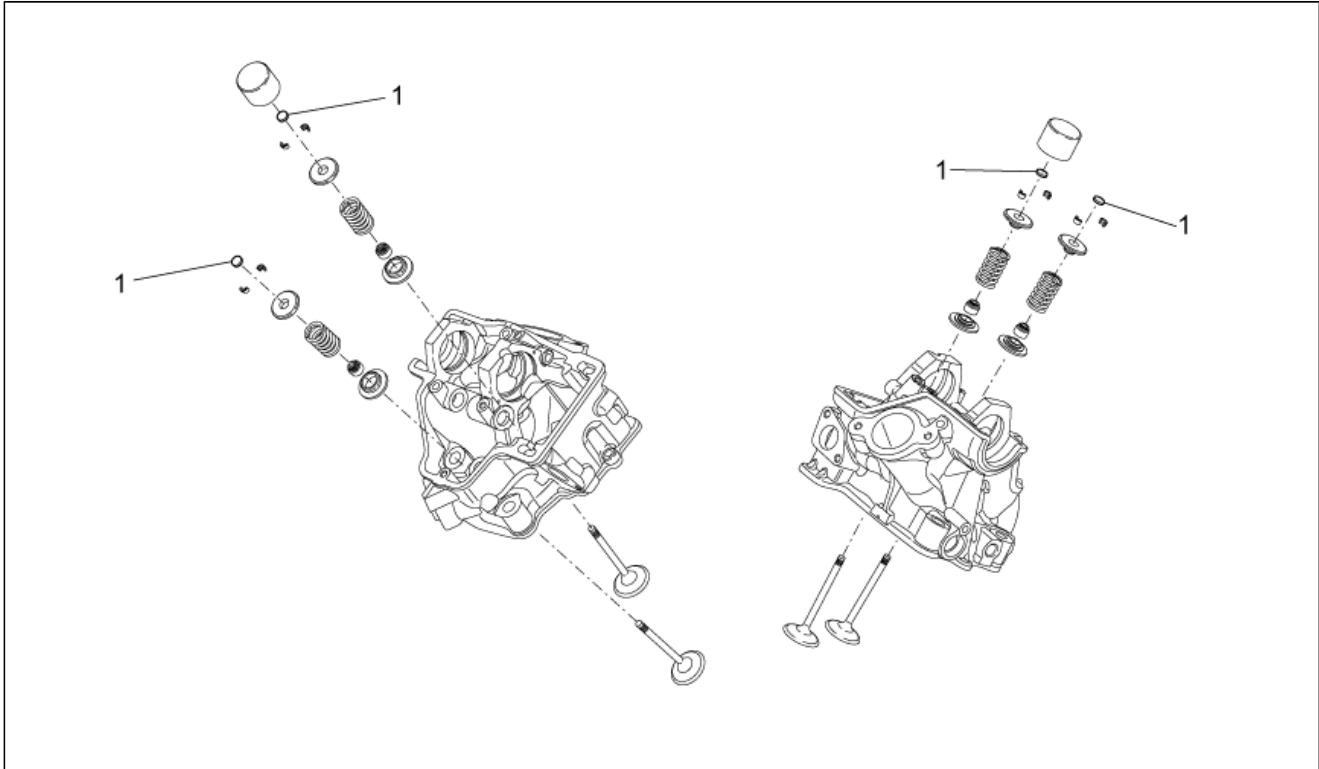
Pos.	Code	Description	Qty	Variants
15	AP9150181	Temp. Sensor H2O	1	
16	AP9150349	Seal washer D12x18x1,5	1	
17	AP9150312	Plug D20	2	
18	AP8121856	Cable-guide	1	
19	AP9150174	Oil unload plug	1	
20	AP9150349	Seal washer D12x18x1,5	1	
21	AP9100999	Spring washer	8	

Group	ENGINE
Code	29.40
Description	Valves
Service	1



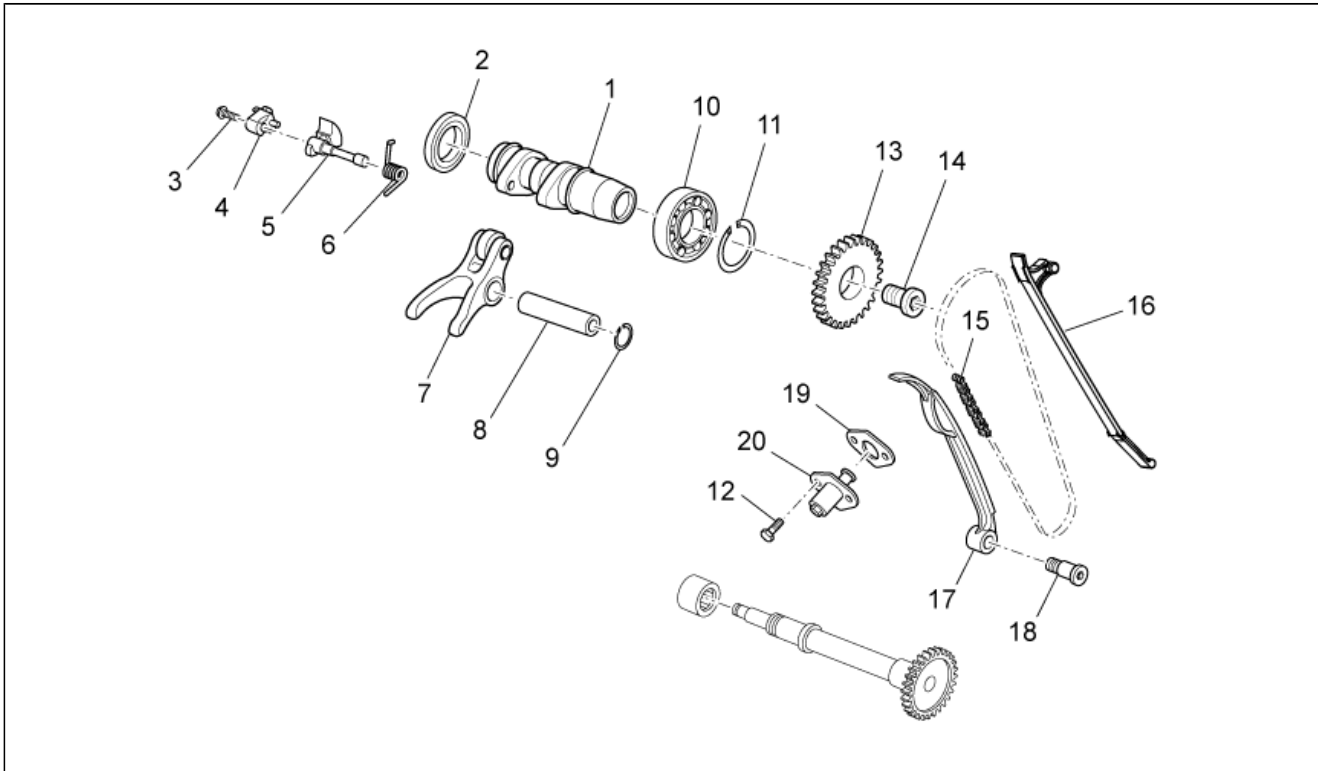
Pos.	Code	Description	Qty	Variants
1	AP9150022	Intake valve	4	
2	AP9150023	Exhaust valve	4	
3	AP9150028	Lower cup	8	
4	AP9150104	Valve stem seal D5	8	
5	AP9150024	Intake valve spring	4	
6	AP9150025	Exhaust valve spring	4	
7	891170	Upper cup	8	
8	AP9150106	Valve half-cone	16	
9	AP9150107	Valve lifter bucket	4	

Group	ENGINE
Code	29.41
Description	Valves pads
Service	1



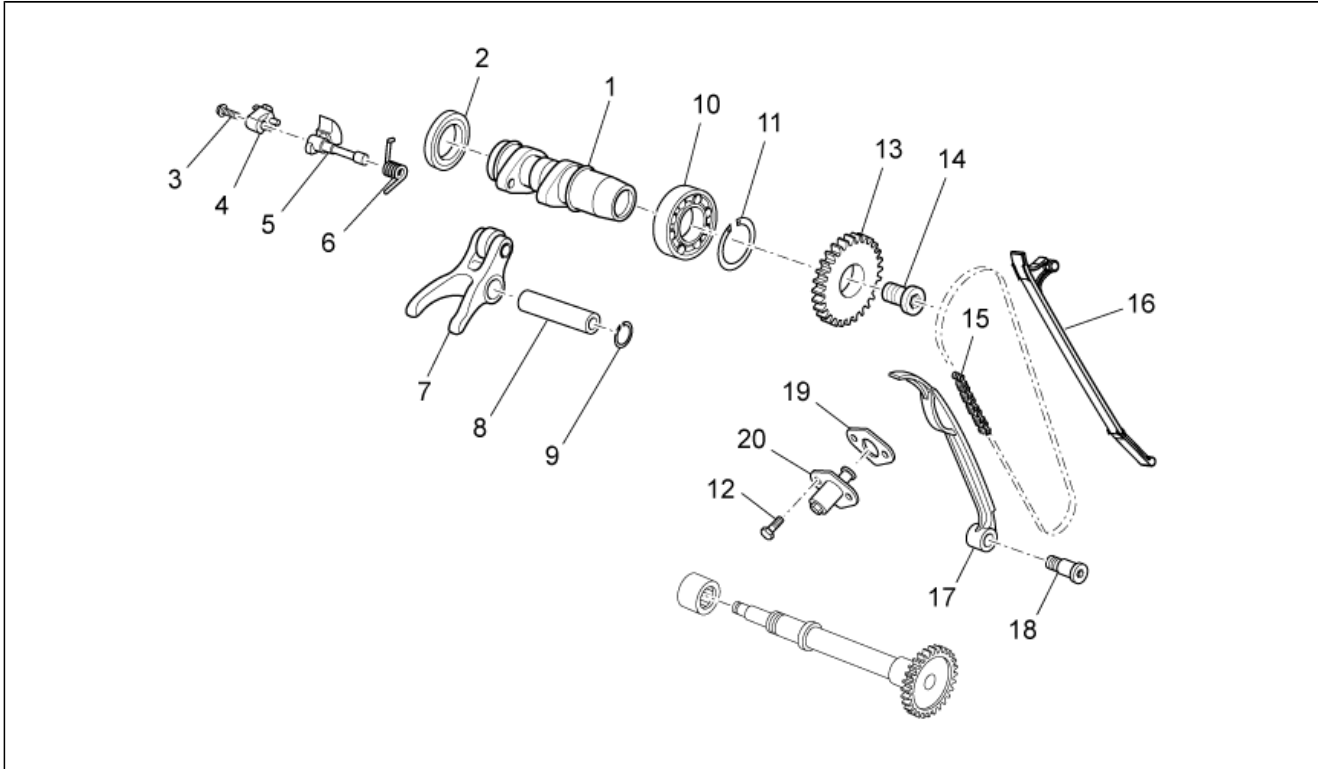
Pos.	Code	Description	Qty	Variants
1	AP9150143	Pad 1,40	8	
1	AP9150417	Pad 1,45	1	
1	AP9150418	Pad 1,50	1	
1	AP9150419	Pad 1,55	1	
1	AP9150420	Pad 1,60	1	
1	AP9150421	Pad 1,65	1	
1	AP9150422	Pad 1,70	1	
1	AP9150423	Pad 1,75	1	
1	AP9150424	Pad 1,80	1	
1	AP9150425	Pad 1,85	1	
1	AP9150426	Pad 1,90	1	
1	AP9150427	Pad 1,95	1	
1	AP9150428	Pad 2,00	1	
1	AP9150429	Pad 2,05	1	
1	AP9150430	Pad 2,10	1	
1	AP9150431	Pad 2,15	1	
1	AP9150432	Pad 2,20	1	
1	AP9150433	Pad 2,25	1	
1	AP9150434	Pad 2,30	1	

Group	ENGINE
Code	29.42
Description	Front cylinder timing system
Service	1



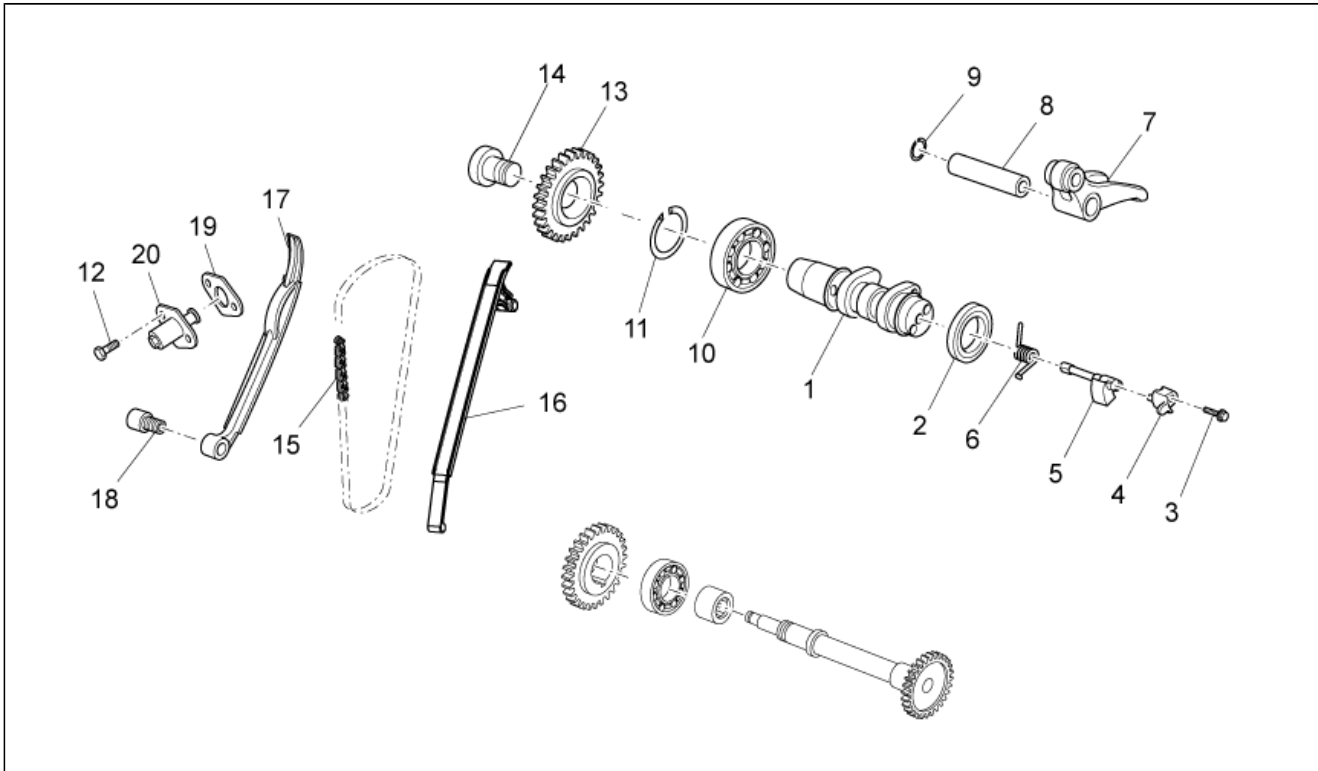
Pos.	Code	Description	Qty	Variants
1	AP9150501	Camshaft cpl.	1	Technical Specifications: Motard version 450[SX45], Motard version 550[SX55]
1	AP9150538	Camshaft cpl.	1	Technical Specifications: Enduro version 450[RX45], Enduro version 550[RX55]
2	AP9150364	Ball bearing D25x37x7	1	
3	AP8152274	Screw w/ flange M5x20	1	
4	AP9150303	Block	1	
5	AP9150448	Front valve control	1	
5	CM238602	Front valve control	1	
5	CM238603	Front valve control	1	
5	CM238604	Front valve control	1	
5	CM238605	Front valve control	1	
5	CM238606	Front valve control	1	
6	AP9150138	Spring	1	
7	AP9150096	Rocker arm exhaust	1	
8	AP9150101	Rocker shaft	1	
9	AP9150102	Snap ring	1	
10	AP9150372	Ball bearing D25x42x9	1	
11	AP9150391	Snap ring D42	2	
12	AP8152278	Screw w/ flange	2	
13	AP9150506	Timing gear Z=22	1	
14	AP9150507	Special screw M16x1	1	
15	AP9150133	Camshaft chain	1	Technical Specifications: 450 cc.Version[450]
15	AP9150327	Camshaft chain	1	Technical Specifications: 550 cc.Version[550]
16	AP9150011	Chain guide plate L177	1	Technical Specifications: 450 cc.Version[450]
16	AP9150300	Chain guide plate L186	1	Technical Specifications: 550 cc.Version[550]
17	AP9150012	Chain tensioner sliding block	1	Technical Specifications: 550 cc.Version[550]
18	AP9150231	Screw M6x12	1	

Group	ENGINE
Code	29.42
Description	Front cylinder timing system
Service	1



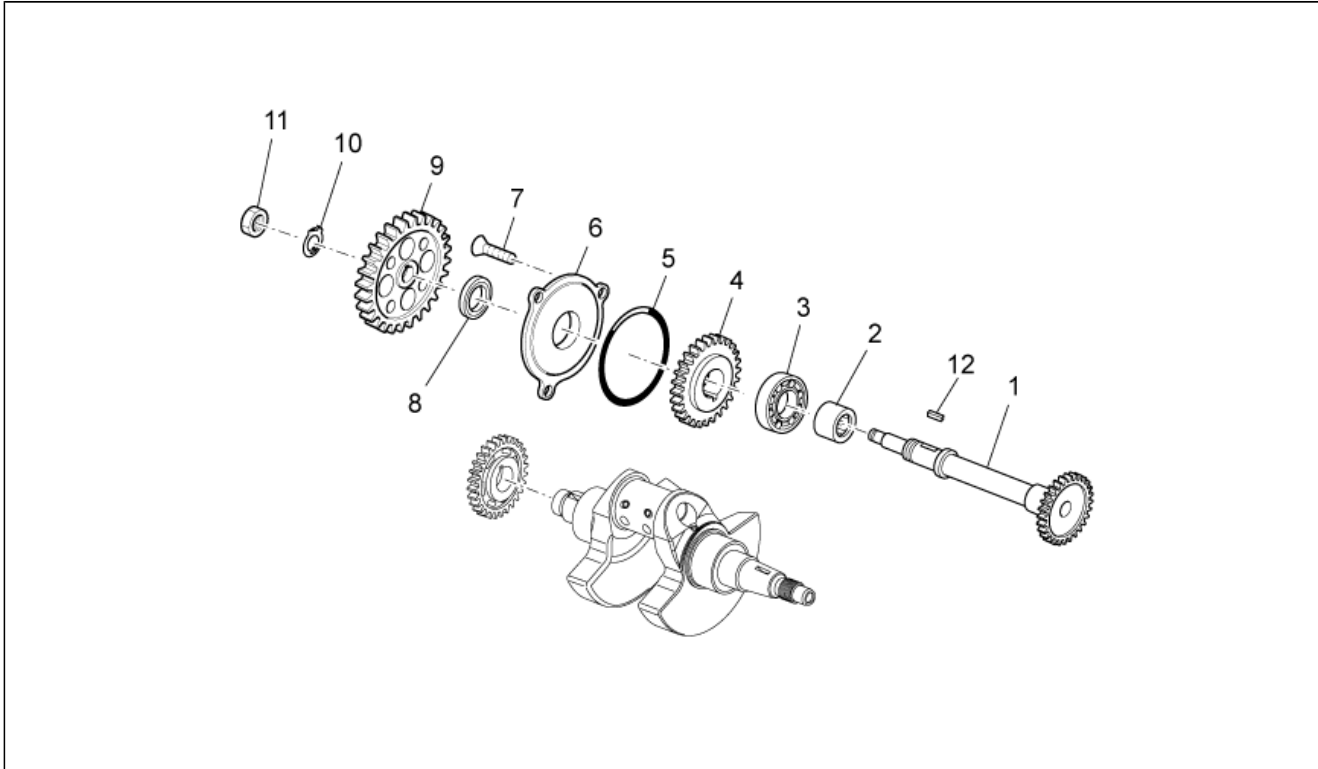
Pos.	Code	Description	Qty	Variants
19	AP9150141	Chain tensioner gasket	1	
20	AP9150140	Chain tensioner	1	

Group	ENGINE
Code	29.43
Description	Rear cylinder timing system
Service	1



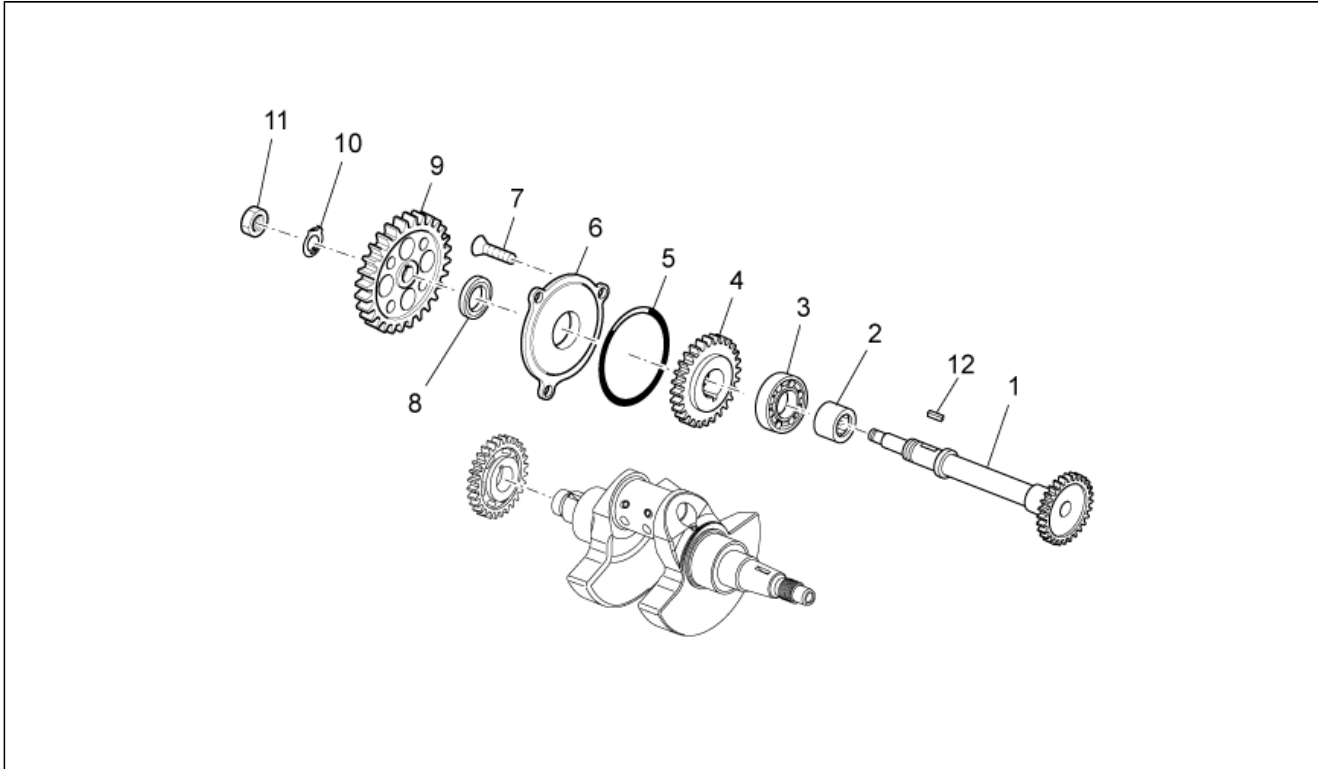
Pos.	Code	Description	Qty	Variants
1	AP9150502	Camshaft cpl.	1	Technical Specifications: Motard version 450[SX45], Motard version 550[SX55]
1	AP9150539	Camshaft cpl.	1	Technical Specifications: Enduro version 450[RX45], Enduro version 550[RX55]
2	AP9150364	Ball bearing D25x37x7	1	
3	AP8152274	Screw w/ flange M5x20	1	
4	AP9150303	Block	1	
5	AP9150450	Rear valve control	1	Technical Specifications: Enduro version[RX]
5	AP9150450	Rear valve control	1	Technical Specifications: Motard version[SX]
6	AP9150304	Spring	1	
7	AP9150096	Rocker arm exhaust	1	
8	AP9150101	Rocker shaft	1	
9	AP9150102	Snap ring	1	
10	AP9150372	Ball bearing D25x42x9	1	
11	AP9150391	Snap ring D42	2	
12	AP8152278	Screw w/ flange	2	
13	AP9150506	Timing gear Z=22	1	
14	AP9150508	Special screw M16x1	1	
15	AP9150133	Camshaft chain	1	Technical Specifications: 450 cc.Version[450]
15	AP9150327	Camshaft chain	1	Technical Specifications: 550 cc.Version[550]
16	AP9150011	Chain guide plate L177	1	Technical Specifications: 450 cc.Version[450]
16	AP9150300	Chain guide plate L186	1	Technical Specifications: 550 cc.Version[550]
17	AP9150012	Chain tensioner sliding block	1	Technical Specifications: 550 cc.Version[550]
18	AP9150142	Screw M6x12	1	
19	AP9150141	Chain tensioner gasket	1	
20	AP9150140	Chain tensioner	1	

Group	ENGINE
Code	29.44
Description	Transmission shaft
Service	1



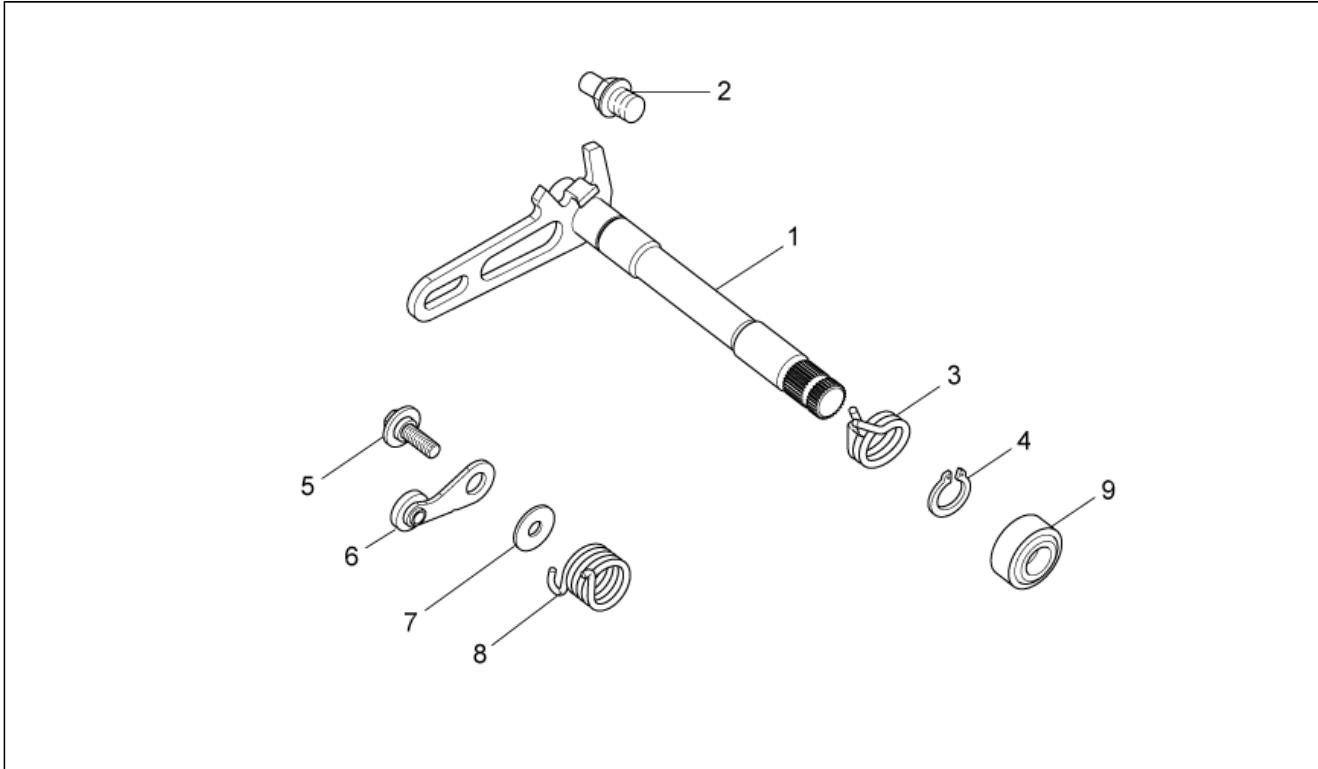
Pos.	Code	Description	Qty	Variants
1	851009	Transmission shaft Z=20	1	Technical Specifications: From engine n°1502[M4], Motard version 450[SX45]
1	851009	Transmission shaft Z=20	1	Technical Specifications: From engine n°1101[M6], Enduro version 550[RX55]
1	851009	Transmission shaft Z=20	1	Technical Specifications: From engine n°1130[M8], Motard version 550[SX55]
1	851009	Transmission shaft Z=20	1	Technical Specifications: From engine n°1460[M2], Enduro version 450[RX45]
1	AP9150272	Transmission shaft Z=20	1	Technical Specifications: UP to engine n°1100[M5], Enduro version 550[RX55]
1	AP9150272	Transmission shaft Z=20	1	Technical Specifications: UP to engine n°1129[M7], Motard version 550[SX55]
1	AP9150272	Transmission shaft Z=20	1	Technical Specifications: UP to engine n°1501[M3], Motard version 450[SX45]
1	AP9150272	Transmission shaft Z=20	1	Technical Specifications: UP to engine n°1459[M1], Enduro version 450[RX45]
2	AP9150366	Bearing D14x22x13	1	
3	AP9150387	Ball bearing D12x28x8	1	
4	AP9150273	Timing gear Z=20	1	
5	AP9150348	O-ring D79x1,78	1	
6	AP9150483	Flange	1	
7	844211	Hex socket screw	3	
8	AP9150390	Oil seal D28x20x6	1	
9	AP9150285	Timing gear Z=40	1	
10	AP9150299	Safety washer	1	
11	851011	Nut M12x1x4,5	1	Technical Specifications: From engine n°1502[M4], Motard version 450[SX45]
11	851011	Nut M12x1x4,5	1	Technical Specifications: From engine n°1101[M6], Enduro version 550[RX55]
11	851011	Nut M12x1x4,5	1	Technical Specifications: From engine n°1460[M2], Enduro version 450[RX45]

Group	ENGINE
Code	29.44
Description	Transmission shaft
Service	1



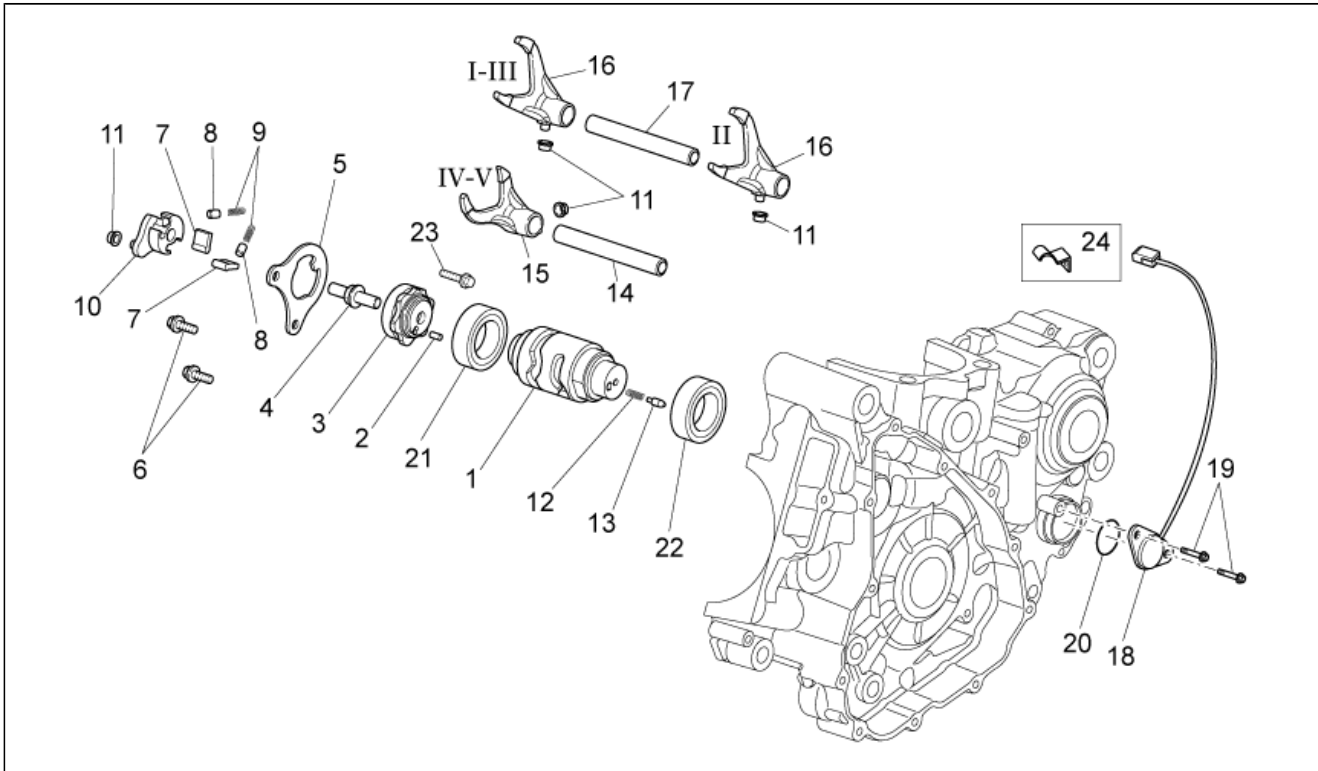
Pos.	Code	Description	Qty	Variants
11	851011	Nut M12x1x4,5	1	Technical Specifications: From engine n°1130[M8], Motard version 550[SX55]
11	AP9150233	Nut M12x1x6	1	Technical Specifications: UP to engine n°1100[M5], Enduro version 550[RX55]
11	AP9150233	Nut M12x1x6	1	Technical Specifications: UP to engine n°1129[M7], Motard version 550[SX55]
11	AP9150233	Nut M12x1x6	1	Technical Specifications: UP to engine n°1459[M1], Enduro version 450[RX45]
11	AP9150233	Nut M12x1x6	1	Technical Specifications: UP to engine n°1501[M3], Motard version 450[SX45]
12	AP9150389	Transmission key 4x4x18	1	

Group	ENGINE
Code	29.45
Description	Gear box selector I
Service	1



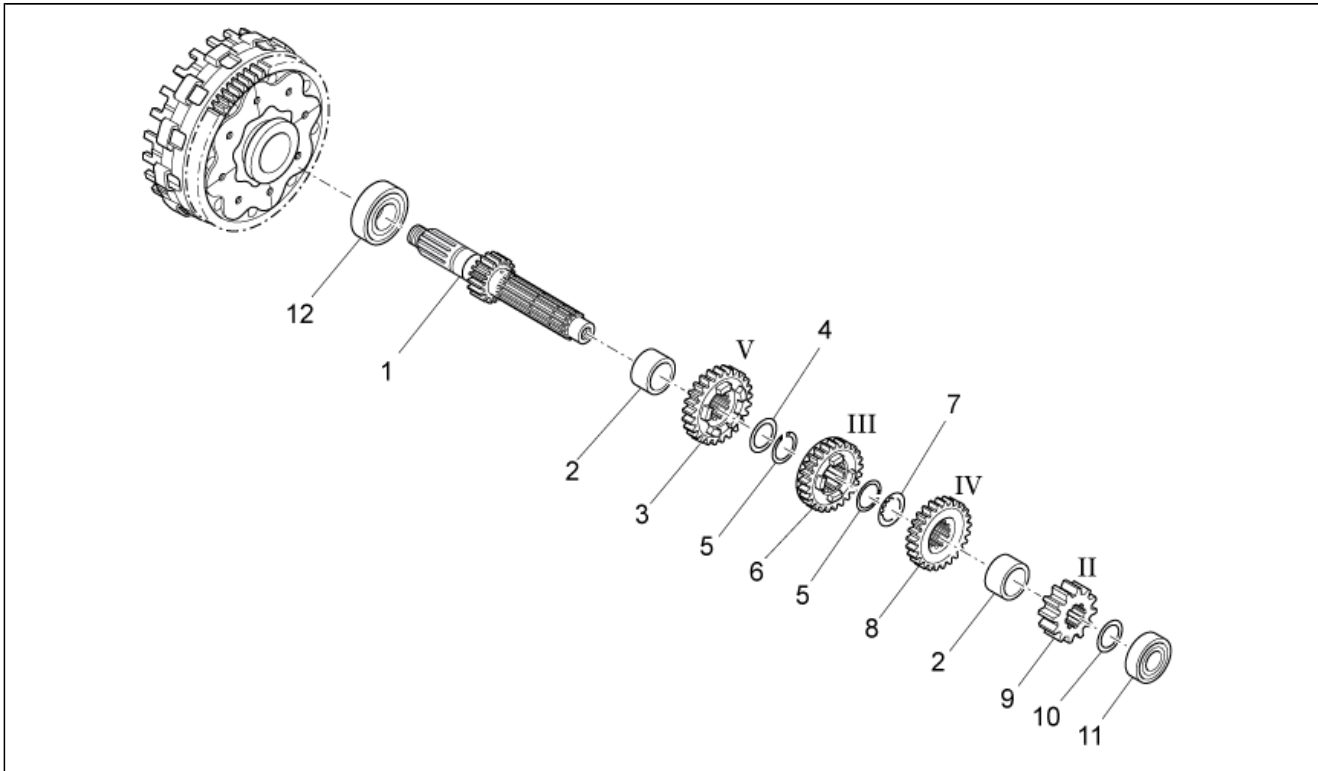
Pos.	Code	Description	Qty	Variants
1	AP9150048	Gearshift shaft+pawl assy	1	
2	AP9150063	Selector lock	1	
3	AP9150238	Spring	1	
4	AP8125853	Circlip D.15	1	
5	AP9150006	Screw w/ flange M6x15	1	
6	AP9150044	Index assy. lever	1	
7	AP9150051	Washer D6,3x18x1	1	
8	AP9150220	Spring	1	
9	AP9150393	Oil seal D21x15x3	1	

Group	ENGINE
Code	29.46
Description	Gear box selector II
Service	1



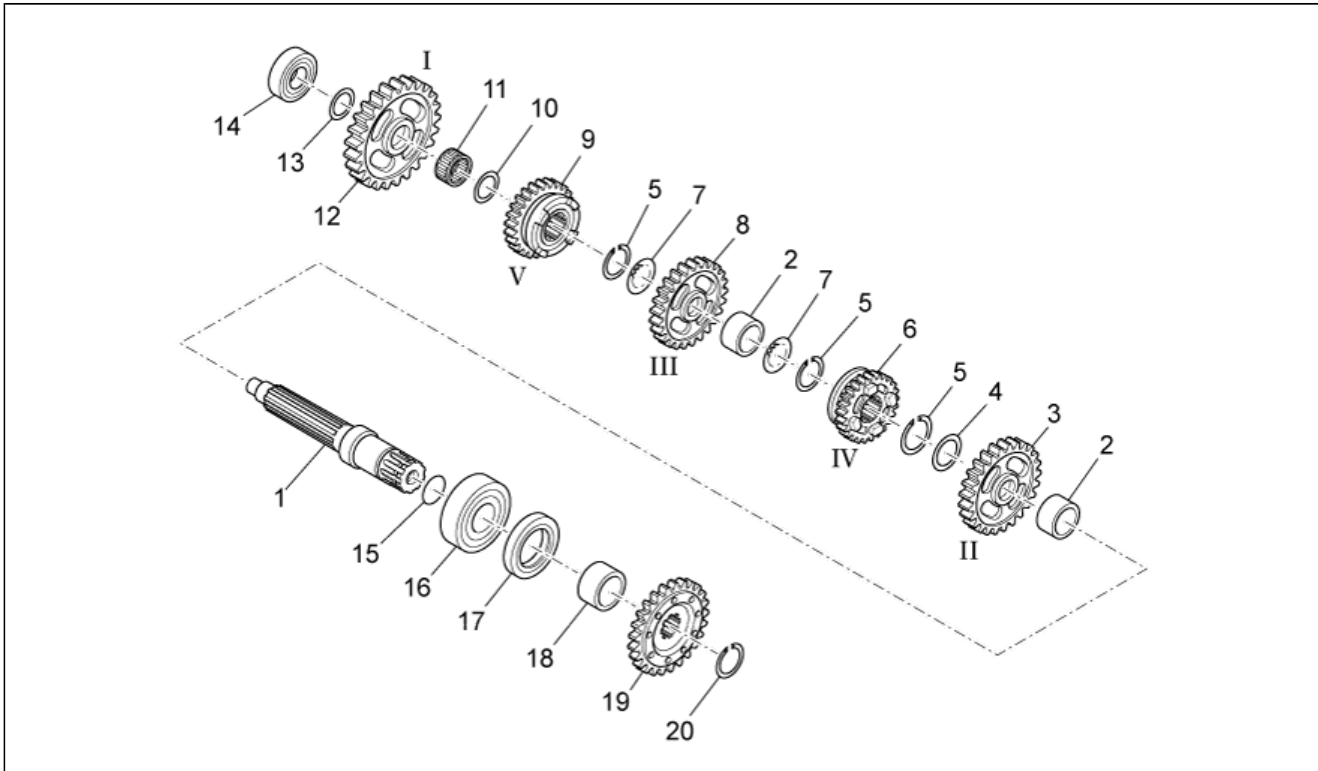
Pos.	Code	Description	Qty	Variants
1	AP9150004	Shift cam pl.	1	
2	AP9150375	Roller D4	1	
3	AP9150067	Selector drum	1	
4	AP9150043	Threaded pin M8x1,25	1	
5	AP9150073	Selector lock plate	1	
6	AP8152277	Screw w/ flange	2	
7	AP9150069	Lever	2	
8	AP9150070	Spring pillar	2	
9	AP9150064	Spring	2	
10	AP9150068	Shift cam plate	1	
11	AP9150060	Bush D6x8x5	4	
12	AP9150072	Spring	1	
13	AP9150003	Spring pillar	1	
14	AP9150062	Fork shaft L72,5	1	
15	AP9150093	Fork 4a-5a	1	
16	AP9150091	Fork 1a-3a	2	
17	AP9150061	Fork shaft L93	1	
18	AP9150184	Gearbox sensor	1	
19	AP8152272	Screw w/ flange	2	
20	AP9150479	O-ring D23,52x1,78	1	
21	AP9150365	Ball bearing D25x42x9	1	
22	AP9150364	Ball bearing D25x37x7	1	
23	AP8152272	Screw w/ flange	1	
24	AP9150462	Fairlead	1	

Group	ENGINE
Code	29.47
Description	Primary gear shaft
Service	1



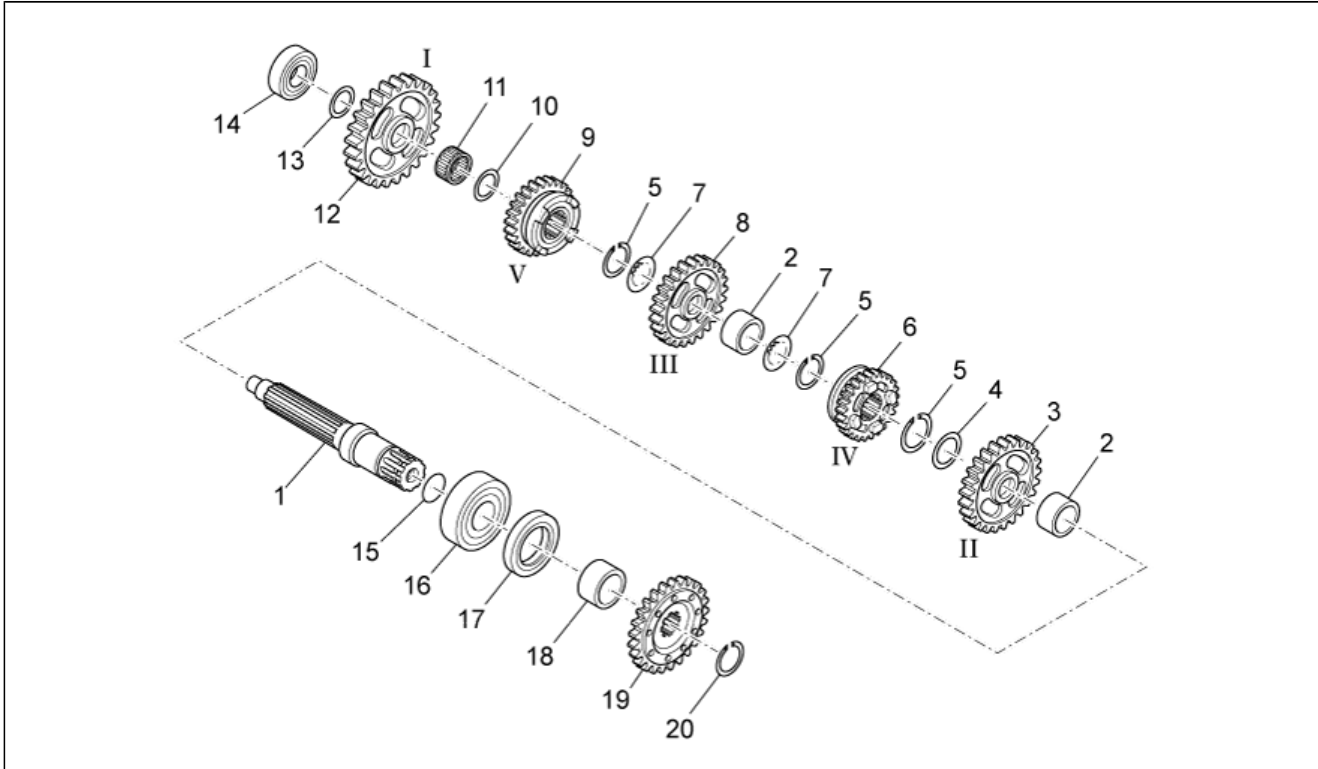
Pos.	Code	Description	Qty	Variants
1	AP9150256	Primary gear shaft Z=12	1	Technical Specifications: Enduro version 450[RX45], Enduro version 550[RX55]
1	AP9150270	Primary gear shaft Z=13	1	Technical Specifications: Motard version 450[SX45], Motard version 550[SX55]
2	AP9150216	Bush D25x28x9,9	2	
3	AP9150255	Gear 5a su prim.Z=21	1	Technical Specifications: Enduro version 450[RX45], Enduro version 550[RX55]
3	AP9150269	Gear 5a su prim.Z=21	1	Technical Specifications: Motard version 450[SX45], Motard version 550[SX55]
4	AP9150297	Plain washer D25,1x30,8x0,5	1	
5	AP9150302	Outside circlip D25	2	
6	AP9150254	Gear 3a su prim.Z=15	1	Technical Specifications: Enduro version 450[RX45], Enduro version 550[RX55]
6	AP9150268	Gear 3a su prim.Z=16	1	Technical Specifications: Motard version 450[SX45], Motard version 550[SX55]
7	AP9150267	Special washer D25,1x30,8x0,	1	
8	AP9150253	Gear 4a su prim.Z=19	1	Technical Specifications: Enduro version 450[RX45], Enduro version 550[RX55]
8	AP9150266	Gear 4a su prim.Z=20	1	Technical Specifications: Motard version 450[SX45], Motard version 550[SX55]
9	AP9150252	Gear 2a su prim.Z=13	1	Technical Specifications: Enduro version 450[RX45], Enduro version 550[RX55]
9	AP9150265	Gear 2a su prim.Z=15	1	Technical Specifications: Motard version 450[SX45], Motard version 550[SX55]
10	AP9150294	Washer D17,1x27,8x0,8	1	
11	AP9150362	Ball bearing D17x40x12	1	
12	AP9150360	Ball bearing D25x52x1	1	

Group	ENGINE
Code	29.48
Description	Driven shaft
Service	1



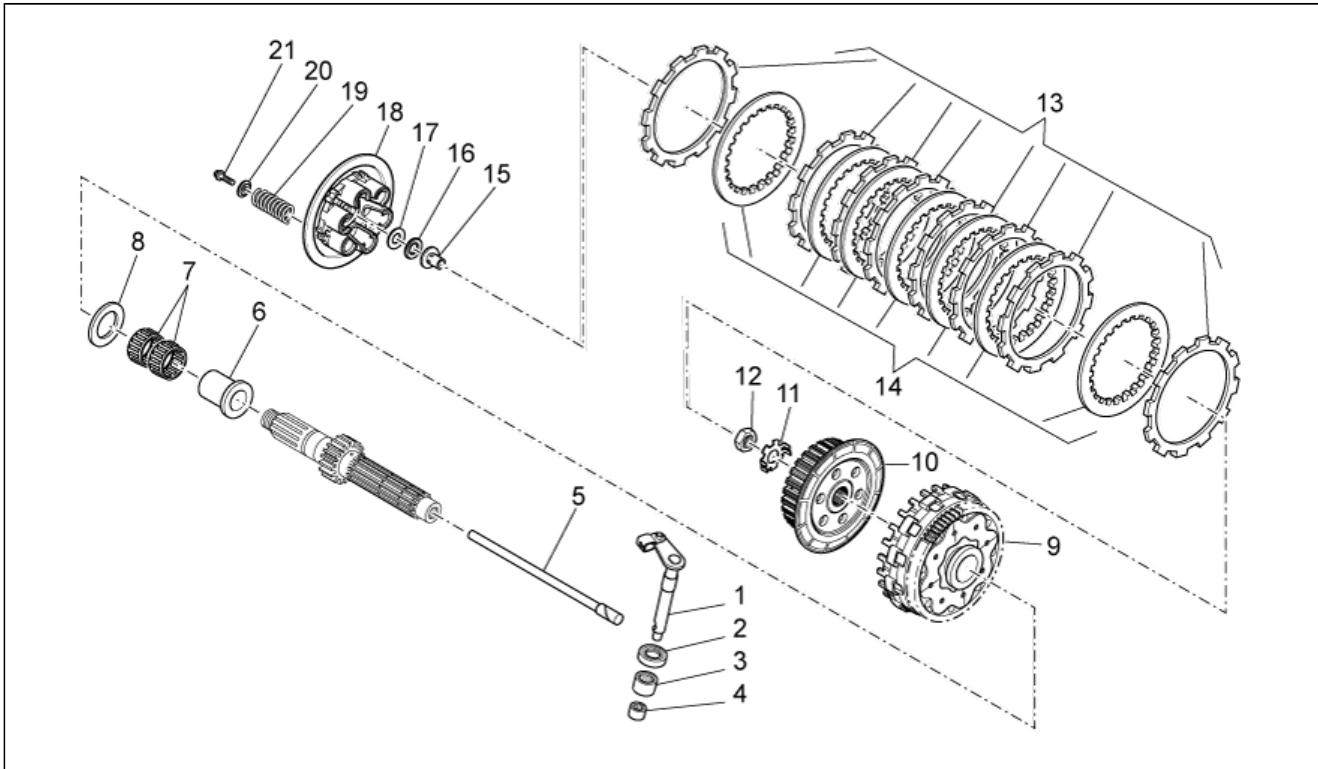
Pos.	Code	Description	Qty	Variants
1	AP9150263	Driven shaft	1	Technical Specifications: Motard version 450[SX45], Motard version 550[SX55]
1	AP9150311	Driven shaft	1	Technical Specifications: Enduro version 450[RX45], Enduro version 550[RX55]
2	AP9150216	Bush D25x28x9,9	2	
3	AP9150250	2nd wheel gear Z=25	1	Technical Specifications: Enduro version 450[RX45], Enduro version 550[RX55]
3	AP9150262	2nd wheel gear Z=27	1	Technical Specifications: Motard version 450[SX45], Motard version 550[SX55]
4	AP9150297	Plain washer D25,1x30,8x0,5	1	
5	AP9150302	Outside circlip D25	3	
6	AP9150249	4th wheel gear Z=24	1	Technical Specifications: Enduro version 450[RX45], Enduro version 550[RX55]
6	AP9150261	4th wheel gear Z=23	1	Technical Specifications: Motard version 450[SX45], Motard version 550[SX55]
7	AP9150267	Special washer D25,1x30,8x0,	2	
8	AP9150248	3rd wheel gear Z=23	1	Technical Specifications: Enduro version 450[RX45], Enduro version 550[RX55]
8	AP9150260	3rd wheel gear Z=23	1	Technical Specifications: Motard version 450[SX45], Motard version 550[SX55]
9	AP9150247	5th wheel gear Z=22	1	Technical Specifications: Enduro version 450[RX45], Enduro version 550[RX55]
9	AP9150259	5th wheel gear Z=21	1	Technical Specifications: Motard version 450[SX45], Motard version 550[SX55]
10	AP9150296	Washer D20,1x28,8x0,8	1	
11	AP9150370	Roller cage D20x24x10	1	
12	AP9150246	1st wheel gear Z=31	1	Technical Specifications: Enduro version 450[RX45], Enduro version 550[RX55]
12	AP9150258	1st wheel gear Z=30	1	Technical Specifications: Motard version 450[SX45], Motard version 550[SX55]
13	AP9150294	Washer D17,1x27,8x0,8	1	

Group	ENGINE
Code	29.48
Description	Driven shaft
Service	1



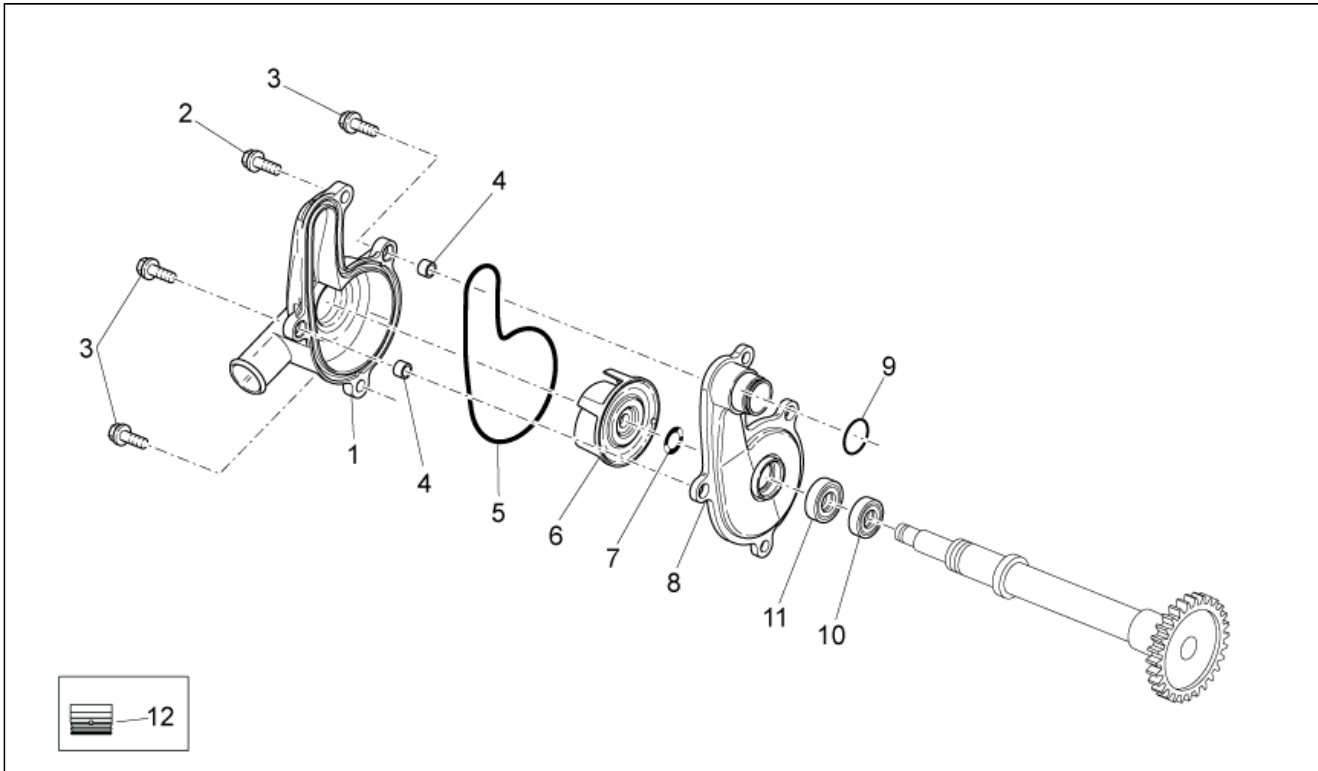
Pos.	Code	Description	Qty	Variants
14	AP9150361	Ball bearing D17x47x14	1	
15	AP9150357	O-ring D21,95x1,78	1	
16	AP9150363	Ball bearing D25x52x15	1	
17	AP9150382	Oil seal D40x32x5	1	
18	AP9150218	Spacer 25x32x14	1	Technical Specifications: Enduro version 450[RX45], Enduro version 550[RX55]
18	AP9150237	Spacer 25x32x22	1	Technical Specifications: Motard version 450[SX45], Motard version 550[SX55]
19	AP9100525	Pinion	1	Technical Specifications: Enduro version 450[RX45], Enduro version 550[RX55]
19	AP9100600	Pinion Z=16	1	Technical Specifications: Motard version 450[SX45], Motard version 550[SX55]
20	AP9100451	Outside circlip D25	1	

Group	ENGINE
Code	29.49
Description	Clutch I
Service	1



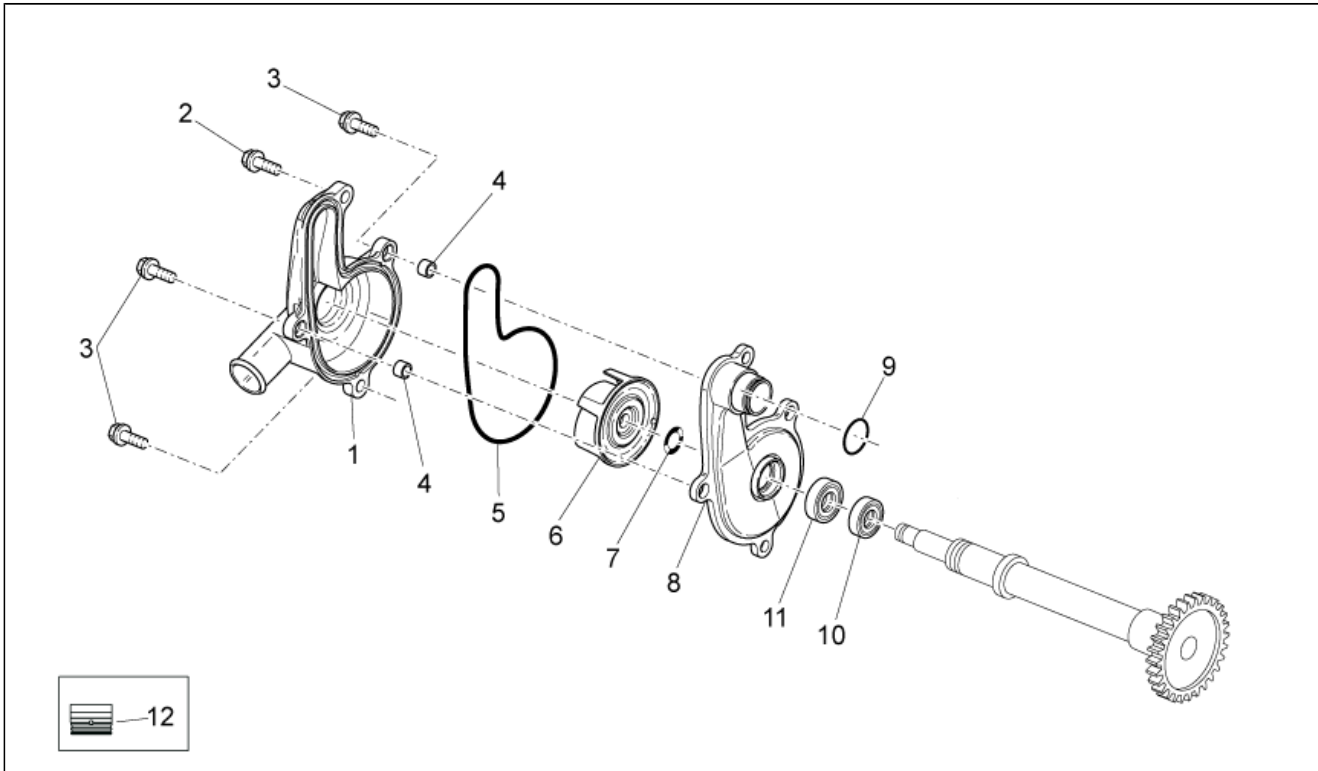
Pos.	Code	Description	Qty	Variants
1	AP9150196	Clutch release shaft	1	
2	AP9150384	Oil seal D12x19x5	1	
3	AP9150374	Roller cage D12x16x10	1	
4	AP9150373	Roller cage D8x12x10	1	
5	AP9150040	Rod	1	
6	AP9150284	Spacer 25x32x22	1	
7	AP9150367	Roller cage D28x33x13	2	
8	AP9150234	Washer D23x46x3	1	
9	851436	Clutch housing, complete	1	
10	AP9150190	Aluminium clutch drum	1	
11	AP9100386	Safety washer	1	
12	AP9150235	Nut M18x1,25	1	
13	AP8176214	Lined clutch disc 8 pz.	1	
14	AP8176215	Steel clutch disc 7 pz.	1	
15	AP9150195	Pawl clutch	1	
16	AP9150358	Roller cage D12x26x2	1	
17	AP9150359	Fifth wheel D12x26x1	1	
18	AP9150191	Clutch pressure plate	1	
19	AP9150194	Clutch spring	6	
20	AP9150232	Cup	6	
21	AP8152279	Screw w/ flange M6x20	6	

Group	ENGINE
Code	29.50
Description	Water pump
Service	1



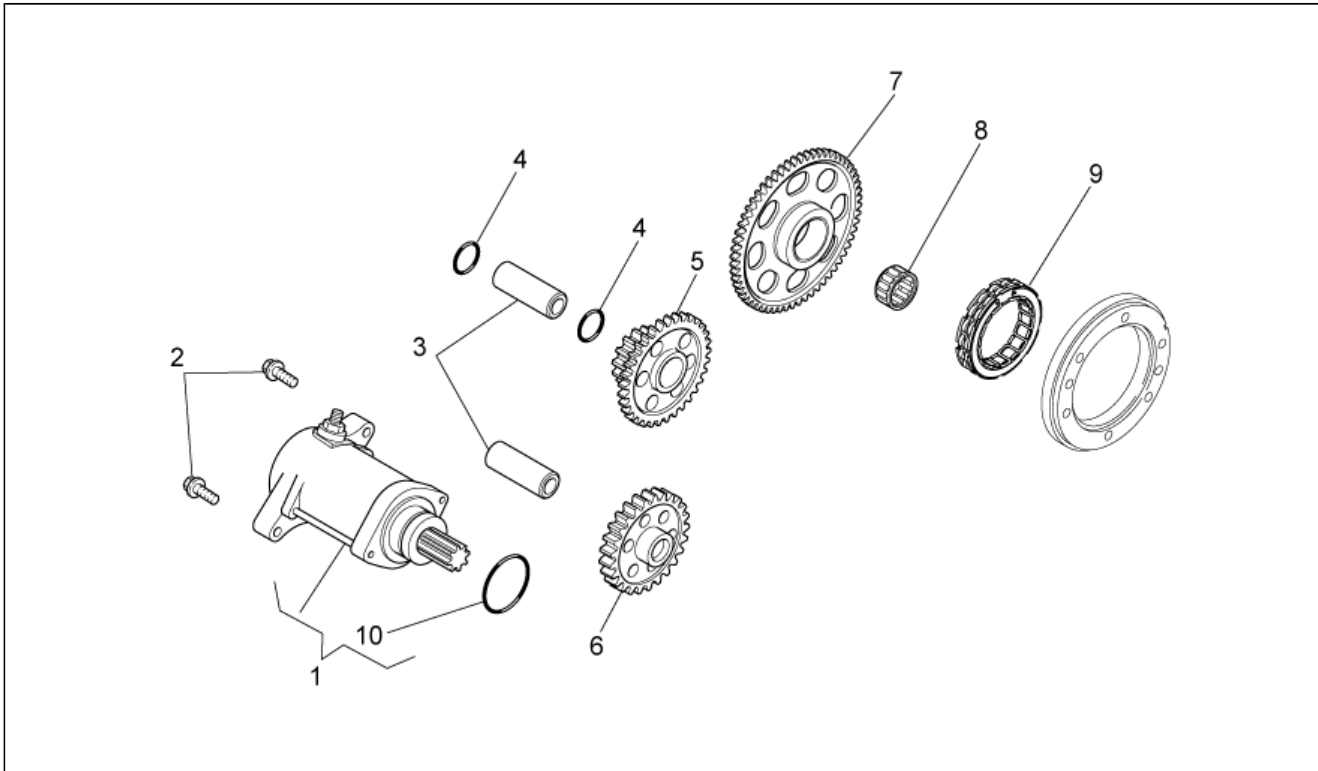
Pos.	Code	Description	Qty	Variants
1	AP9150484	Water pump cover	1	
2	AP8152283	Screw w/ flange	1	
3	AP8152278	Screw w/ flange	3	
4	AP9150119	Bush D8x6,4x9,8	2	
5	AP9150352	O-ring D88,57x2,62	1	
6	AP9150132	Water pump impeller cpl.	1	
7	AP9150292	Washer D12,d7.05 SP1	1	
8	AP9150464	Water pump flange	1	
9	851283	O-ring D18x1,8	1	
10	AP9150443	Oil seal D10x16x4	1	Technical Specifications: From engine n°1460[M2], Enduro version 450[RX45]
10	AP9150443	Oil seal D10x16x4	1	Technical Specifications: From engine n°1130[M8], Motard version 550[SX55]
10	AP9150443	Oil seal D10x16x4	1	Technical Specifications: From engine n°1502[M4], Motard version 450[SX45]
10	AP9150443	Oil seal D10x16x4	1	Technical Specifications: From engine n°1101[M6], Enduro version 550[RX55]
10	AP9150474	Oil seal D10x22x7	1	Technical Specifications: UP to engine n°1459[M1], Enduro version 450[RX45]
10	AP9150474	Oil seal D10x22x7	1	Technical Specifications: UP to engine n°1129[M7], Motard version 550[SX55]
10	AP9150474	Oil seal D10x22x7	1	Technical Specifications: UP to engine n°1501[M3], Motard version 450[SX45]
10	AP9150474	Oil seal D10x22x7	1	Technical Specifications: UP to engine n°1100[M5], Enduro version 550[RX55]
11	851013	Oil seal D10x18x5/8	1	Technical Specifications: From engine n°1130[M8], Motard version 550[SX55]
11	851013	Oil seal D10x18x5/8	1	Technical Specifications: From engine n°1502[M4], Motard version 450[SX45]
11	851013	Oil seal D10x18x5/8	1	Technical Specifications: From engine n°1101[M6], Enduro version 550[RX55]

Group	ENGINE
Code	29.50
Description	Water pump
Service	1



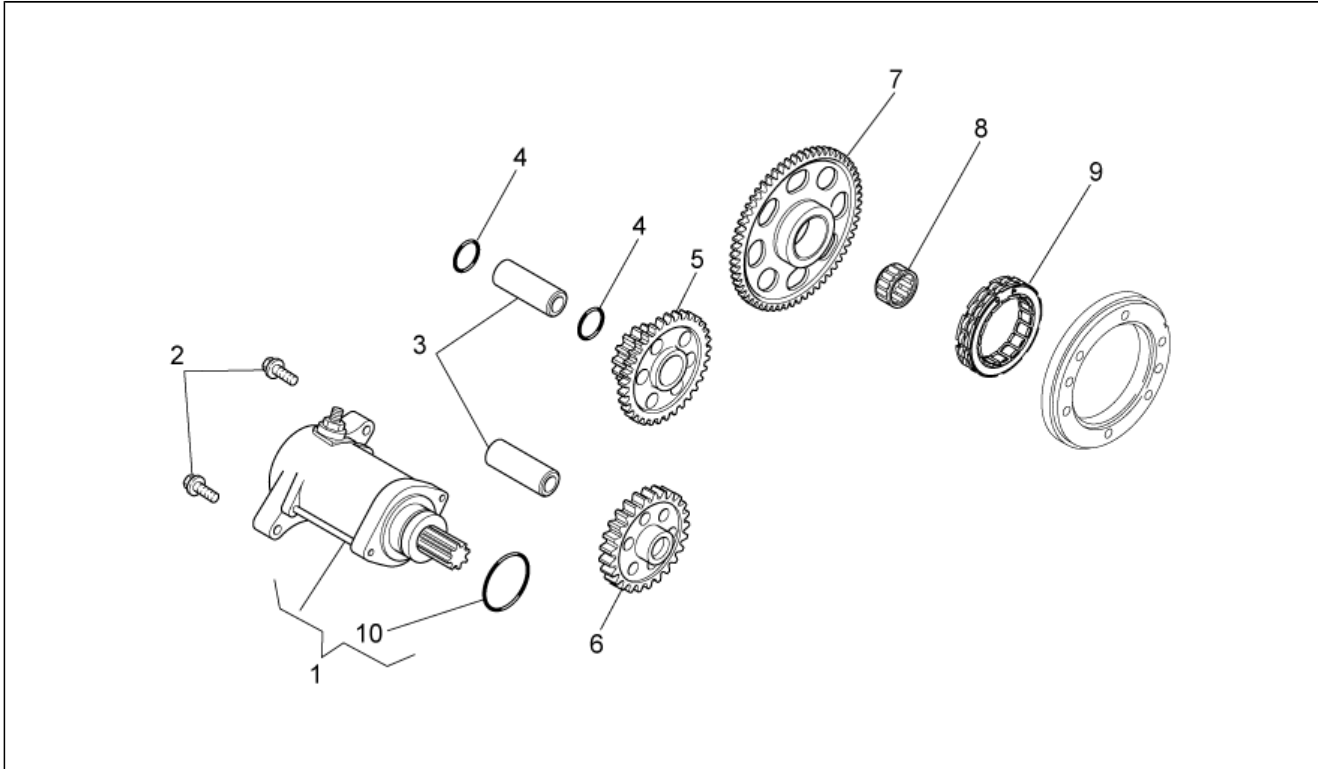
Pos.	Code	Description	Qty	Variants
11	851013	Oil seal D10x18x5/8	1	Technical Specifications: From engine n°1460[M2], Enduro version 450[RX45]
11	AP9150474	Oil seal D10x22x7	1	Technical Specifications: UP to engine n°1129[M7], Motard version 550[SX55]
11	AP9150474	Oil seal D10x22x7	1	Technical Specifications: UP to engine n°1100[M5], Enduro version 550[RX55]
11	AP9150474	Oil seal D10x22x7	1	Technical Specifications: UP to engine n°1459[M1], Enduro version 450[RX45]
11	AP9150474	Oil seal D10x22x7	1	Technical Specifications: UP to engine n°1501[M3], Motard version 450[SX45]
12	851010	Cover Bush RH Carter	1	

Group	ENGINE
Code	29.51
Description	Starter motor
Service	1



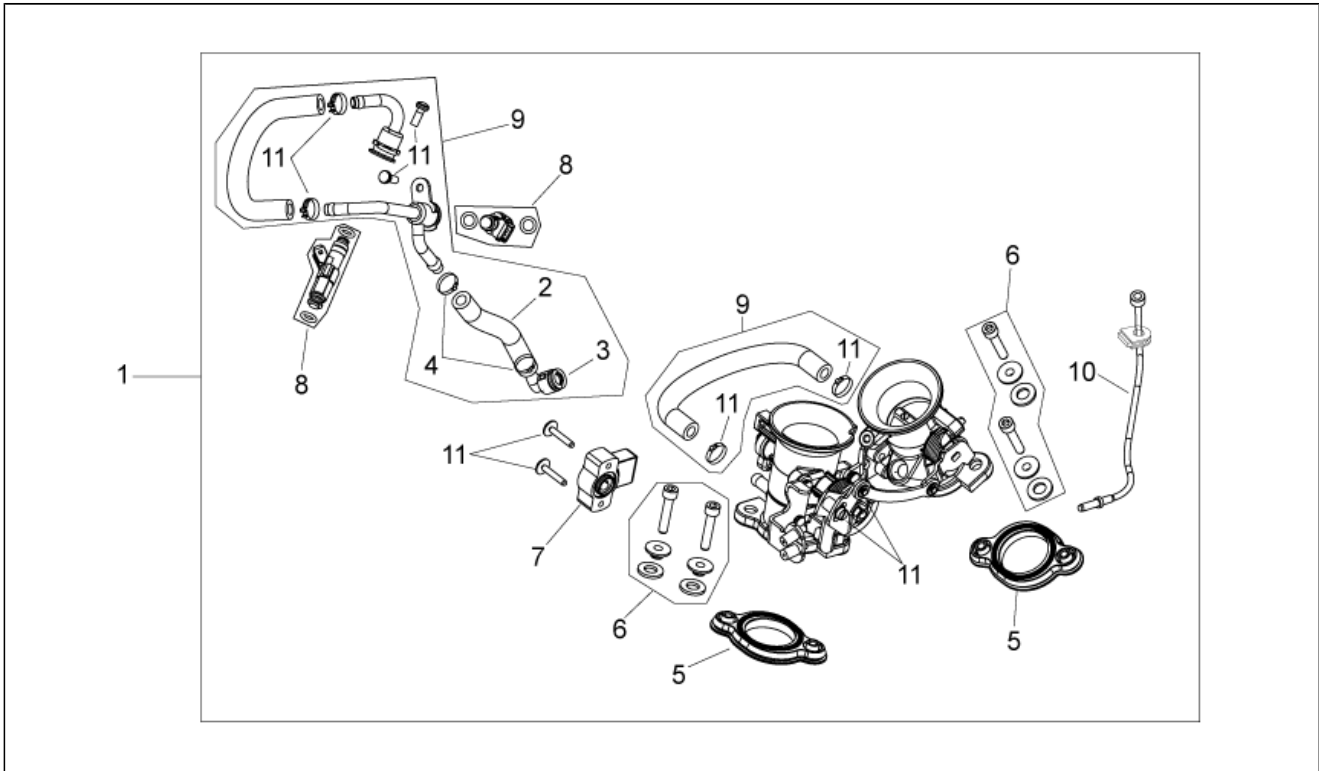
Pos.	Code	Description	Qty	Variants
1	AP9150090	Starter motor w/out wiring	1	
2	AP8152281	Screw w/ flange	2	
3	AP9150209	Pin	2	
4	AP9150446	O-ring D10,5x1	2	
5	8496465	Double gear Z=10/55	1	Technical Specifications: UP to engine n°2438[M9], Enduro version 450[RX45]
5	8496465	Double gear Z=10/55	1	Technical Specifications: UP to engine n°2275[M11], Motard version 450[SX45]
5	8496465	Double gear Z=10/55	1	Technical Specifications: UP to engine n°2599[M15], Motard version 550[SX55]
5	8496465	Double gear Z=10/55	1	Technical Specifications: UP to engine n°1724[M13], Enduro version 550[RX55]
5	849801	Double gear Z=9/55	1	Technical Specifications: From engine n°2600[M16], Motard version 550[SX55]
5	849801	Double gear Z=9/55	1	Technical Specifications: From engine n°1725[M14], Enduro version 550[RX55]
5	849801	Double gear Z=9/55	1	Technical Specifications: From engine n°2439[M10], Enduro version 450[RX45]
5	849801	Double gear Z=9/55	1	Technical Specifications: From engine n°2276[M12], Motard version 450[SX45]
6	849802	Intermediate gear Z=22	1	Technical Specifications: From engine n°2600[M16], Motard version 550[SX55]
6	849802	Intermediate gear Z=22	1	Technical Specifications: From engine n°2439[M10], Enduro version 450[RX45]
6	849802	Intermediate gear Z=22	1	Technical Specifications: From engine n°1725[M14], Enduro version 550[RX55]
6	849802	Intermediate gear Z=22	1	Technical Specifications: From engine n°2276[M12], Motard version 450[SX45]
6	AP9150207	Intermediate gear Z=21	1	Technical Specifications: UP to engine n°2599[M15], Motard version 550[SX55]
6	AP9150207	Intermediate gear Z=21	1	Technical Specifications: UP to engine n°2438[M9], Enduro version 450[RX45]

Group	ENGINE
Code	29.51
Description	Starter motor
Service	1



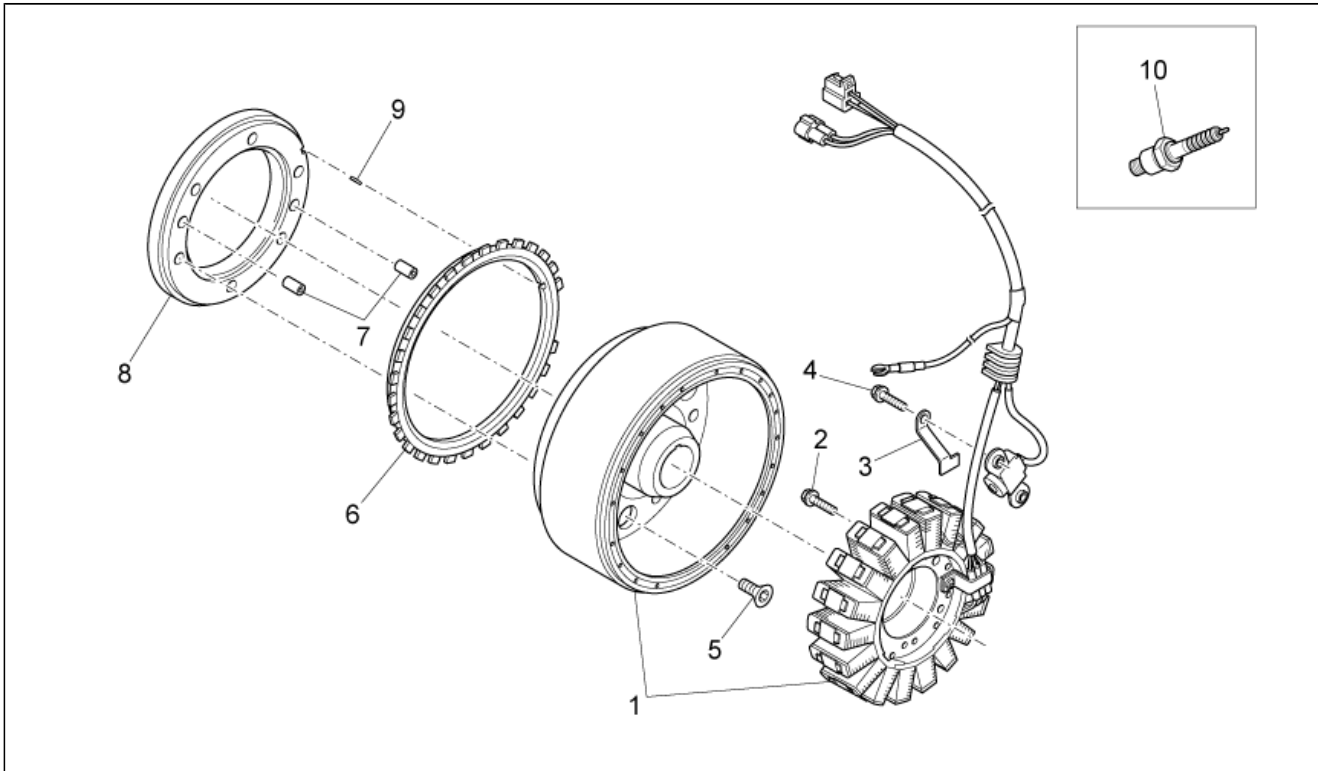
Pos.	Code	Description	Qty	Variants
6	AP9150207	Intermediate gear Z=21	1	Technical Specifications: UP to engine n°2275[M11], Motard version 450[SX45]
6	AP9150207	Intermediate gear Z=21	1	Technical Specifications: UP to engine n°1724[M13], Enduro version 550[RX55]
7	849803	Sprag clutch gear Z=52	1	Technical Specifications: From engine n°2439[M10], Enduro version 450[RX45]
7	849803	Sprag clutch gear Z=52	1	Technical Specifications: From engine n°1725[M14], Enduro version 550[RX55]
7	849803	Sprag clutch gear Z=52	1	Technical Specifications: From engine n°2276[M12], Motard version 450[SX45]
7	849803	Sprag clutch gear Z=52	1	Technical Specifications: From engine n°2600[M16], Motard version 550[SX55]
7	AP9150203	Sprag clutch gear Z=53	1	Technical Specifications: UP to engine n°2438[M9], Enduro version 450[RX45]
7	AP9150203	Sprag clutch gear Z=53	1	Technical Specifications: UP to engine n°2275[M11], Motard version 450[SX45]
7	AP9150203	Sprag clutch gear Z=53	1	Technical Specifications: UP to engine n°2599[M15], Motard version 550[SX55]
7	AP9150203	Sprag clutch gear Z=53	1	Technical Specifications: UP to engine n°1724[M13], Enduro version 550[RX55]
8	AP9150369	Roller cage D26x30x17	2	
9	AP9150208	Starter clutch assy.	1	
10	AP9150500	O-ring D25x2,5	1	

Group	ENGINE
Code	29.52
Description	Throttle body
Service	1



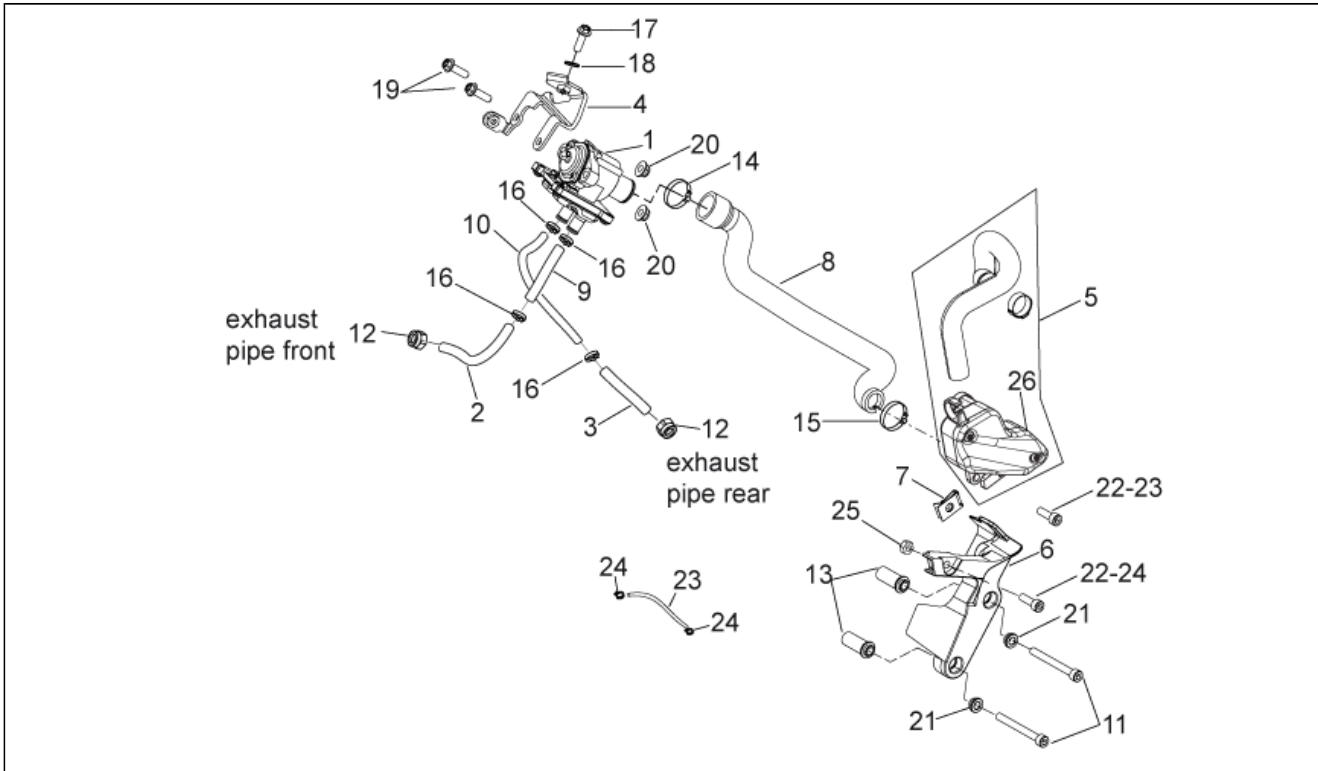
Pos.	Code	Description	Qty	Variants
1	AP9100444	Throttle body	1	Technical Specifications: 450 cc.Version[450]
1	AP9100586	Throttle body	1	Technical Specifications: 550 cc.Version[550]
2	AP9100709	Pipe benz.7,5x14,5	1	
3	AP9100494	Union	1	
4	AP9100714	Hose clip 14,5x8	2	
5	AP9101008	Gaskets set	1	
6	AP9101009	Screw kit	1	
7	AP9101010	Potentiometer	1	
8	AP9101011	Injector	2	
9	AP9101012	Fuel rail cpl	1	
10	AP9101013	Min.eng.spd adj.cable	1	
11	AP9101014	Screw kit, clamps, clip	1	

Group	ENGINE
Code	29.53
Description	Ignition unit
Service	1



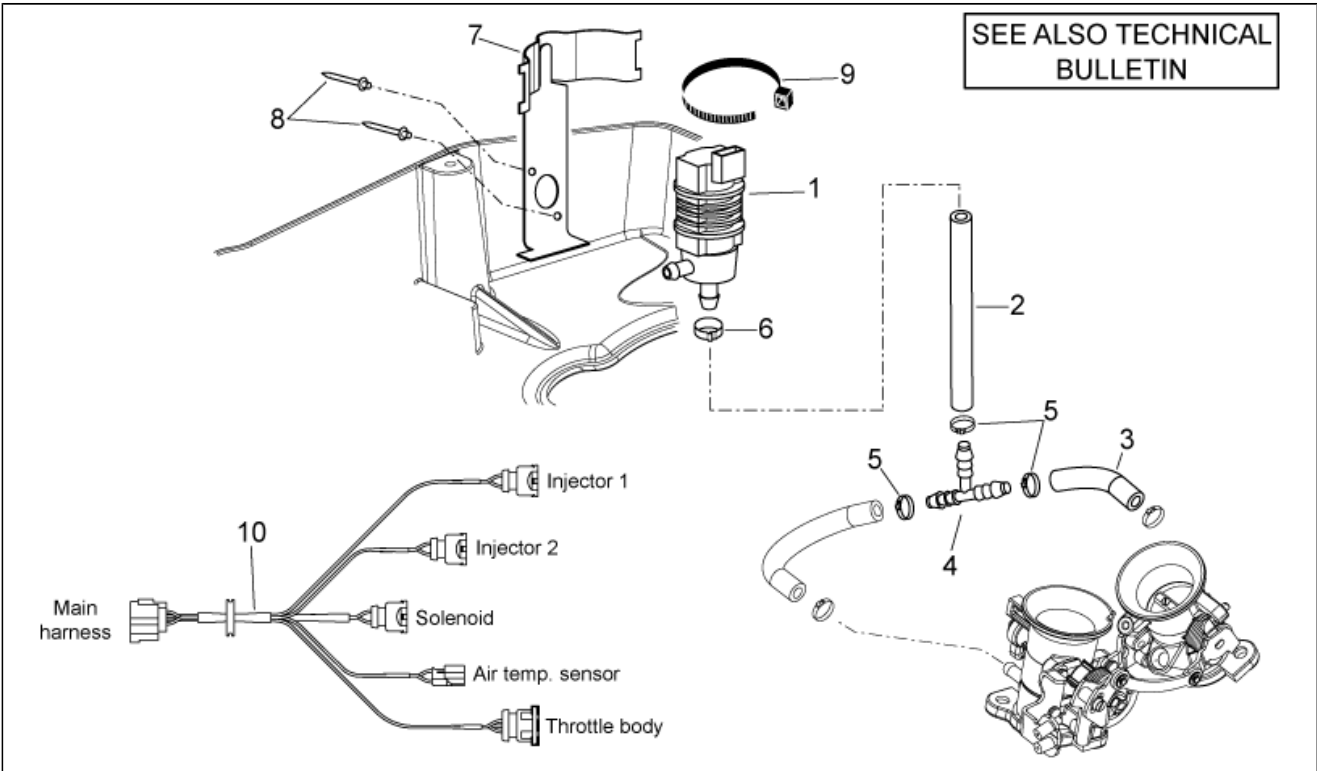
Pos.	Code	Description	Qty	Variants
1	855680	Cdi magneto assy	1	Technical Specifications: Enduro version[RX]
1	AP9150180	Cdi magneto assy	1	Technical Specifications: Motard version[SX]
2	AP8152275	Screw w/ flange	3	
3	855489	Plate	1	Technical Specifications: Enduro version[RX]
3	AP9100387	Plate	1	Technical Specifications: Motard version[SX]
4	AP8152272	Screw w/ flange	2	
5	AP9150401	Screw	6	
6	AP9150205	Wheel speed sensor, left front	1	
7	AP9150380	Pin D5x8	2	
8	AP9150204	Flange	1	
9	AP8121451	Tab	1	
10	639687	Spark plug CR8EKB	1	

Group	ENGINE
Code	29.54
Description	Secondary air
Service	1



Pos.	Code	Description	Qty	Variants
1	855054	SAS valve	1	
2	855023	Front. Exhaust pipe	1	
3	855024	Rear exhaust pipe	1	
4	855022	Valve support	1	
5	855057	Sas box	1	
6	855182	Sas box support	1	
7	AP8102376	Clip M6	1	
8	855183	Pipe	1	Country:Europe[EU]
9	855055	Front. Exhaust pipe	1	
10	855056	Rear exhaust pipe	1	
11	AP8150411	Hex socket screw	2	
12	855028	Nut	1	
13	855184	Bush	2	
14	AP9100456	Hose clip 26x8	1	
15	AP8102273	Hose clip	1	
16	AP8101586	Hose clip D.15,5x6,6	4	
17	AP8150137	Hex socket screw	1	
18	AP8150015	Washer 6,6x18x1,6*	1	
19	AP8152279	Screw w/ flange M6x20	2	
20	AP9100434	Self-locking nut M6x1	2	
21	AP8221129	Bush	2	
22	AP8150160	Hex socket screw M6x20	2	Country:Europe[EU]
23	AP8220598	Breather pipe	1	
24	AP8102377	Hose clamp D9,1*	2	
25	AP8150026	Nut	1	
26	856897	Valve cover sas	1	

Group	ENGINE
Code	29.55
Description	Starter
Service	1



Pos.	Code	Description	Qty	Variants
1	855836	Solenoid	1	
2	855838	Pipe D.13 L=255mm	1	
3	855839	Pipe D.13 L=45mm	1	
4	AP8102431	3-way union	1	
5	257814	Hose clamp click D.12,5	3	
6	258469	Hose clamp	1	
7	855818	Valve fixing support	1	
8	245736	Rivet	2	
9	709519	Hose clamp	1	
10	855804	Wiring	1	