



PIAGGIO & C.s.p.a.

aprilia

SPARE PARTS CATALOGUE



RSV4 1000 APRC Factory STD/SE 2011-2012

Chassis prefix: ZD4RKB00, ZD4RKB01

Engine prefix:

Index

Finished products.....	4
Alphanumeric index.....	5
FRAME.....	12
Table 28.01 - Frame I.....	12
Table 28.02 - Frame II.....	14
Table 28.03 - Foot rests.....	15
Table 28.04 - Central stand.....	16
Table 28.05 - Steering.....	17
Table 28.06 - Front fork.....	18
Table 28.07 - Swing arm.....	19
Table 28.08 - Rear shock absorber.....	21
Table 28.09 - Front body I.....	22
Table 28.10 - Front body II.....	24
Table 28.11 - Front body III.....	26
Table 28.12 - Rear body I.....	27
Table 28.13 - Rear body II.....	29
Table 28.14 - Fuel tank.....	30
Table 28.15 - Saddle.....	32
Table 28.16 - Undersaddle.....	33
Table 28.17 - Dashboard.....	34
Table 28.18 - Handlebar - Controls.....	35
Table 28.19 - Clutch lever.....	36
Table 28.20 - Front master cilinder.....	37
Table 28.21 - Cooling system.....	38
Table 28.22 - Oil radiator.....	40
Table 28.23 - Air box.....	41
Table 28.24 - Throttle body.....	42
Table 28.25 - Exhaust pipe I.....	43
Table 28.255 - Exhaust pipe II.....	45
Table 28.26 - Front wheel.....	47
Table 28.27 - Front brake caliper.....	48
Table 28.28 - Rear wheel.....	49
Table 28.29 - Rear master cylinder.....	50
Table 28.30 - Rear brake caliper.....	51
Table 28.31 - Headlight.....	52
Table 28.32 - Taillight.....	53
Table 28.33 - Electrical system I.....	54
Table 28.34 - Electrical system II.....	55
Table 28.35 - Electrical system III.....	56
Table 28.36 - Lock hardware kit.....	57
Table 28.55 - Plate set and decal.....	58
Table 28.56 - Fuel vapour recover system.....	59
Table 28.57 - Rear body II.....	60

Table 28.58 - Rear body III.....	61
ENGINE.....	62
Table 29.37 - Engine.....	62
Table 29.38 - Crank-case I.....	63
Table 29.39 - Drive shaft.....	64
Table 29.40 - Cylinder - Piston.....	66
Table 29.41 - Valves cover.....	67
Table 29.42 - Cylinder head - valves.....	68
Table 29.43 - Valves pads.....	70
Table 29.44 - Front cylinder timing system.....	73
Table 29.45 - Rear cylinder timing system.....	74
Table 29.46 - Gear box.....	75
Table 29.47 - Clutch I.....	77
Table 29.48 - Clutch II.....	78
Table 29.49 - Clutch cover.....	79
Table 29.50 - Ignition unit.....	80
Table 29.51 - Cover.....	81
Table 29.52 - Lubrication.....	82
Table 29.53 - Secondary air.....	84
Table 29.54 - Water pump.....	85

Finished products

Code	Validity
AP6117200ACA01	
AP6117200ACAXX	
AP6117200ACB01	
AP6117200ACB02	
AP6117200ACBSE	
AP6117200EBA01	
AP6117200EBA02	
AP6117200EBAXX	
AP6117200EBB02	
AP6117200EBBSE	
AP6117200EBC00	
AP6117200EBC03	
AP6117200ECA01	
AP6117200ECA02	
AP6117200ECAXX	
AP6117200ECB02	
AP6117200ECBSE	
AP6117200ECC00	
AP6117200ECC03	
AP6117201EBA01	
AP6117201EBAXX	
AP6117201EBB02	
AP6117201EBBSE	
AP6117201JCA01	
AP6117201JCAXX	
AP6117202JCC00	
AP6117202JCC03	
AP6117300CCB01	
AP6117300CCB02	
AP6117300CCBSE	
AP6117300CCBXX	
AP6117300CCC00	
AP6117300CCC01	
AP6117300CCC03	
AP6117300YCB01	
AP6117300YCB02	
AP6117300YCBSE	
AP6117300YCBXX	
AP6117300YCC00	
AP6117300YCC01	
AP6117300YCC03	

Code	No. table	Pos.	Code	No. table	Pos.	Code	No. table	Pos.
006412	29.52	30	854547	28.06	2	8571170003	29.39	4
006630	29.51	13	854811	28.35	7	857118	29.39	12
020006	28.29	2	854909	29.46	44	857121	29.39	11
122675	29.49	12	854951	29.46	45	857123	29.46	36
181746	28.09	22	856027	28.18	8	857125	29.40	9
181746	28.13	18	856062	28.56	11	857126	29.40	8
197551	28.17	14	856063	28.56	4	857127	29.38	22
224035	29.42	23	856279	28.21	10	857127	29.49	18
235779	29.50	8	856543	28.21	28	857128	29.38	11
254485	28.25	14	856630	29.53	3	8571300001	29.39	8
269783	28.15	6	856631	29.53	1	8571300002	29.39	8
277330	29.52	25	856632	29.53	2	8571300003	29.39	8
289731	29.52	15	856696	28.01	21	8571320001	29.39	7
2R000037	29.42	12	857004	29.44	2	8571320002	29.39	7
2R000038	29.42	13	857004	29.45	2	8571320003	29.39	7
2R000041	29.42	12	857008	29.44	4	857139	29.38	19
2R000042	29.42	13	857008	29.45	4	857140	29.38	18
411209	29.38	5	857009	29.44	3	857143	29.52	13
411209	29.42	5	857009	29.45	3	857144	29.38	25
411209	29.49	5	857016	29.42	24	857147	29.52	22
436438	29.42	11	857017	29.42	22	857152	29.52	8
436947	28.25	2	8570224	29.42	9	857167	29.52	2
436947	28.255	2	857023	29.42	10	857168	29.52	10
478895	29.42	14	857024	29.42	15	857175	29.46	8
485693	29.49	7	857035	29.42	2	857176	29.44	13
575249	28.16	3	857042	29.42	4	857176	29.45	13
576836	28.14	12	857043	29.41	8	857176	29.51	5
581596	28.34	16	857044	29.42	20	857176	29.52	4
582690	28.34	6	857045	29.42	19	8571775	29.49	1
584344	28.25	6	857046	29.42	17	857181	29.53	7
584344	28.255	6	857047	29.42	18	857184	29.52	21
584509	28.33	14	857048	29.42	27	857185	29.46	27
598839	28.25	23	857048	29.51	7	857187	29.52	11
598839	28.255	23	857066	29.42	21	857189	29.52	9
622055	28.21	2	857067	29.42	16	857192	29.52	28
638562	28.24	6	857070	29.49	9	857193	29.52	29
6389915	29.49	11	857071	29.41	2	857201	29.39	9
639792	28.34	1	857074	29.41	9	857204	29.51	2
640485	28.21	25	857077	29.39	13	857206	29.39	6
640754	28.31	2	857078	29.49	10	857208	29.42	7
641541	29.52	18	857082	29.42	25	857209	29.54	1
648708	28.07	20	857083	29.42	26	857222	29.54	3
709099	29.52	26	857084	29.41	4	857230	29.46	31
825431	29.50	6	857085	29.42	3	857231	29.46	30
825597	29.42	8	857087	29.38	2	857232	29.46	28
828325	28.56	18	857090	29.38	17	857233	29.46	16
840509	28.25	33	857094	29.44	10	857234	29.46	29
840509	28.255	33	857094	29.45	10	857236	29.46	10
840893	29.52	7	857096	29.44	11	857240	29.46	22
840893	29.54	4	857096	29.45	11	857241	29.46	18
843213	28.04	7	857097	29.44	5	857242	29.46	21
845978	28.17	10	857097	29.45	5	857244	29.46	17
845978	28.25	36	857098	29.44	12	857245	29.46	24
845978	28.255	36	857098	29.45	12	857246	29.46	23
846019	29.52	19	857099	29.44	9	857247	29.46	13
847075	29.49	18	857099	29.45	9	857248	29.46	14
851586	28.25	8	857100	29.44	6	857249	29.38	15
851586	28.255	8	857100	29.45	6	857250	29.46	7
852029	28.07	32	857104	29.40	5	857251	29.46	35
852090	28.25	3	857105	29.40	6	857253	29.46	41
852090	28.255	3	857106	29.40	7	8572555	29.39	1
852398	28.18	18	857107	29.40	2	857260	29.46	51
852480	29.37	3	857108	29.40	3	857261	29.46	52
852702	28.20	10	857109	29.38	20	857265	29.46	47
852702	28.27	8	857115	29.39	3	857268	29.46	1
852702	28.29	13	8571170001	29.39	4	857271	29.46	5
852702	28.30	5	8571170002	29.39	4	857274	29.46	37

Code	No. table	Pos.	Code	No. table	Pos.	Code	No. table	Pos.
857278	29.46	40	858706	28.01	6	858849	28.02	1
857279	29.46	46	858707	28.07	2	858863	28.04	1
857284	29.46	9	858708	28.07	5	858867	28.31	10
857287	29.50	1	858710	28.01	12	858868	28.13	23
857288	29.50	9	858711	28.01	14	858869	28.34	2
857289	29.50	2	858712	28.01	20	858871	28.34	3
857290	29.50	7	858714	28.01	13	858873	28.24	9
857298	29.50	5	858717	28.01	7	858874	28.24	8
857301	29.50	4	858718	28.01	8	858875	28.23	19
857303	28.24	1	858721	28.18	4	858876	28.23	7
857304	28.24	2	858722	28.25	27	858877	28.23	13
857305	28.24	3	858722	28.255	27	858878	28.23	17
857306	28.24	11	858725	28.32	1	858880	28.23	5
857308	29.46	12	858726	28.14	17	858881	28.23	20
857309	29.46	15	858727	29.53	8	858882	28.35	5
857312	29.38	14	858729	28.01	3	858883	28.35	8
857312	29.49	17	858731	28.28	7	858884	28.14	34
857314	29.49	20	858732	28.22	11	858885	28.14	6
857317	29.48	18	858737	28.05	1	858886	28.14	16
857318	29.49	15	858738	28.25	1	858887	28.14	8
857328	29.46	25	858738	28.255	1	858896	28.27	1
857427	29.38	4	858739	28.25	9	858897	28.27	2
857429	29.49	2	858739	28.255	9	858898	28.20	1
857435	29.51	9	858740	28.25	10	858902	28.30	6
857436	29.49	3	858740	28.255	10	858903	28.02	2
857439	29.52	16	8587414	28.25	5	858904	28.02	3
857439	29.52	20	8587414	28.255	5	858906	28.25	22
857445	29.40	4	858745	28.255	12	858906	28.255	22
857451	29.49	6	858747	28.255	34	858907	28.01	25
857460	29.49	23	858748	28.255	35	858908	28.21	31
857461	29.49	19	858770	28.07	1	858909	28.08	1
85746200XEV	29.51	6	858780	28.07	7	858916	28.33	16
8574705	29.44	1	858781	28.07	23	858918	28.08	2
8574715	29.45	1	858783	28.07	8	858923	29.37	25
857476	29.44	7	858785	28.29	5	858925	28.01	23
857476	29.45	7	858786	28.03	1	858926	28.01	24
857477	29.44	8	858787	28.03	12	858927	28.22	7
857477	29.45	8	858788	28.03	13	858930	28.23	15
857489	29.52	27	858790	28.22	1	858932	28.23	6
857495	29.38	23	858791	28.30	14	858936	28.07	18
857496	29.38	24	858807	28.24	19	858941	28.04	4
857497	29.52	6	858808	28.23	26	858943	28.29	14
857498	29.49	16	858808	29.52	24	858955	28.36	5
857501	29.41	5	858809	28.33	4	859754	28.28	18
857502	29.52	1	85881300XN6	28.09	1	859792	28.06	11
857535	29.52	5	858815	28.01	26	859792	28.30	3
857538	29.44	6	858817	28.01	28	859946	28.29	9
857538	29.45	6	858818	28.01	27	860138	28.56	7
857539	29.44	9	858819	28.01	31	860880	28.30	7
857539	29.45	9	858827	28.11	3	871094	29.51	8
857540	29.52	3	858828	28.10	1	872117	29.40	10
857544	29.39	14	858829	28.10	2	872117	29.51	10
857545	29.39	15	858830	28.11	2	872664	28.35	6
857546	29.44	3	85883200A1	28.15	1	873804	29.49	8
857546	29.45	3	85883200A2	28.15	1	874555	28.28	24
858212	28.34	7	85883500XN2	28.12	3	890499	28.56	3
858475	28.21	26	85883500XR4	28.12	3	890509	28.20	12
858476	28.21	8	858836	28.16	1	890760	28.33	28
858477	28.21	11	85883700XN2	28.12	1	890769	28.24	20
858478	28.21	17	858838	28.12	2	890785	28.17	5
858488	28.21	15	858839	28.32	6	890786	28.17	6
858489	28.22	13	858840	28.13	2	890787	28.17	7
858580	28.33	19	858840	28.58	1	890791	28.20	4
858580	28.36	7	858842	28.57	8	890827	29.46	43
858703	28.31	1	85884400A1	28.15	4	890878	28.09	12
858704	28.01	4	85884700XN2	28.12	4	890879	28.09	16
858705	28.01	5	85884700XR4	28.12	4	890923	28.19	1

Code	No. table	Pos.	Code	No. table	Pos.	Code	No. table	Pos.
890928	28.25	28	893931	28.27	3	895734	28.255	11
890928	28.255	28	893933	28.29	1	895832	28.255	38
890931	28.21	6	893934	28.24	10	895844	28.33	11
890931	29.54	2	893935	28.09	14	895844	28.34	14
890932	28.35	14	893936	28.09	6	895909	28.10	24
890938	28.23	3	893937	28.20	6	895910	28.10	25
890960	28.28	25	893940	29.48	6	895914	28.58	4
890964	28.10	22	893941	29.48	7	895915	28.10	30
890966	28.12	6	893942	29.48	12	895959	28.14	35
890967	28.12	7	893943	29.48	13	896141	28.25	34
890968	28.11	1	893944	29.48	14	896142	28.25	35
890969	28.13	9	893945	28.06	4	896170	28.26	2
890979	28.33	1	893954	28.21	5	896171	28.28	2
890982	28.19	4	893966	28.06	7	896174	28.12	20
893044	28.04	8	893968	29.54	5	896175	28.10	12
893045	28.04	9	893969	28.30	8	896175	28.12	12
893107	28.14	10	893979	28.10	7	896311	28.05	2
893108	28.12	18	893980	28.10	8	896358	28.28	3
893109	28.12	19	893996	28.03	21	896372	28.17	1
893112	28.12	5	893997	28.03	22	896565	28.24	12
893113	28.05	17	894015	28.23	16	896566	28.24	13
893132	28.23	11	894019	28.55	11	896567	28.24	14
893135	28.26	3	894027	28.01	29	896573	28.24	15
893136	28.26	4	894056	28.36	13	896574	28.24	16
893137	28.30	2	894057	28.31	13	896575	28.24	17
893138	28.29	11	894080	28.14	2	896576	28.27	6
893224	28.21	19	89410700XN2	28.10	5	896715	28.34	5
893240	28.23	1	894195	28.12	21	896752	28.33	24
893255	28.35	13	894195	28.15	8	896759	28.18	3
893257	28.09	11	894196	28.10	13	896859	28.18	6
893259	28.12	26	894197	28.10	14	896860	28.18	7
893273	28.14	13	894198	28.14	38	896896	28.30	15
893513	28.21	22	894201	28.03	15	896943	29.37	11
893514	28.21	20	894228	28.25	24	896944	28.06	12
893751	28.16	2	894228	28.255	24	897111	28.06	9
893752	28.23	21	894505	28.30	12	897113	28.25	11
893757	28.18	1	894519	28.09	12	897114	28.35	16
893758	28.14	30	894520	28.09	16	897302	28.06	1
893763	28.09	9	894566	28.13	13	89732600XN6	28.09	2
893764	28.09	10	894566	28.57	9	897360	29.37	15
893767	29.47	1	894604	28.14	36	89736200XN2	28.10	6
893768	29.47	2	894630	28.09	11	897367	28.28	1
893769	29.47	3	894657	28.13	19	897434	29.38	3
893770	29.47	4	894658	28.24	7	897434	29.42	6
893772	29.47	6	894714	28.55	10	897434	29.50	3
893773	29.48	1	894794	29.48	3	897435	29.38	26
893774	29.48	2	894796	28.31	9	897436	29.38	27
893777	29.48	8	894821	29.47	5	897443	29.41	7
893778	29.48	9	894846	28.26	2	897444	29.44	5
893779	29.48	10	894847	28.28	2	897444	29.45	5
893780	29.48	11	894899	28.57	19	897446	29.50	10
893782	29.48	15	894900	28.57	10	897450	29.50	12
893783	29.48	4	894901	28.56	22	897454	29.46	34
893784	29.48	5	894933	28.56	24	897455	29.46	32
893796	28.11	4	894943	28.13	14	897456	29.46	33
893819	28.05	16	894944	28.13	15	897458	29.46	11
893823	28.21	21	894945	28.13	14	897459	29.46	20
89382400A1	28.15	3	894946	28.13	15	897460	29.46	19
893838	28.09	18	894988	28.11	1	897474	29.39	17
893839	28.09	20	895250	28.04	1	897478	29.39	5
893887	28.23	12	895316	29.50	11	897479	29.39	9
893915	28.23	9	895335	28.09	29	897482	28.13	3
893916	28.23	10	895450	28.21	37	897482	28.58	2
893926	28.19	2	895460	28.01	1	897594	29.37	14
893927	28.19	3	895487	28.58	3	897596	28.26	1
893929	28.31	3	895488	28.58	5	8976535002	29.39	2
893930	28.31	15	895701	28.34	15	8976535003	29.39	2

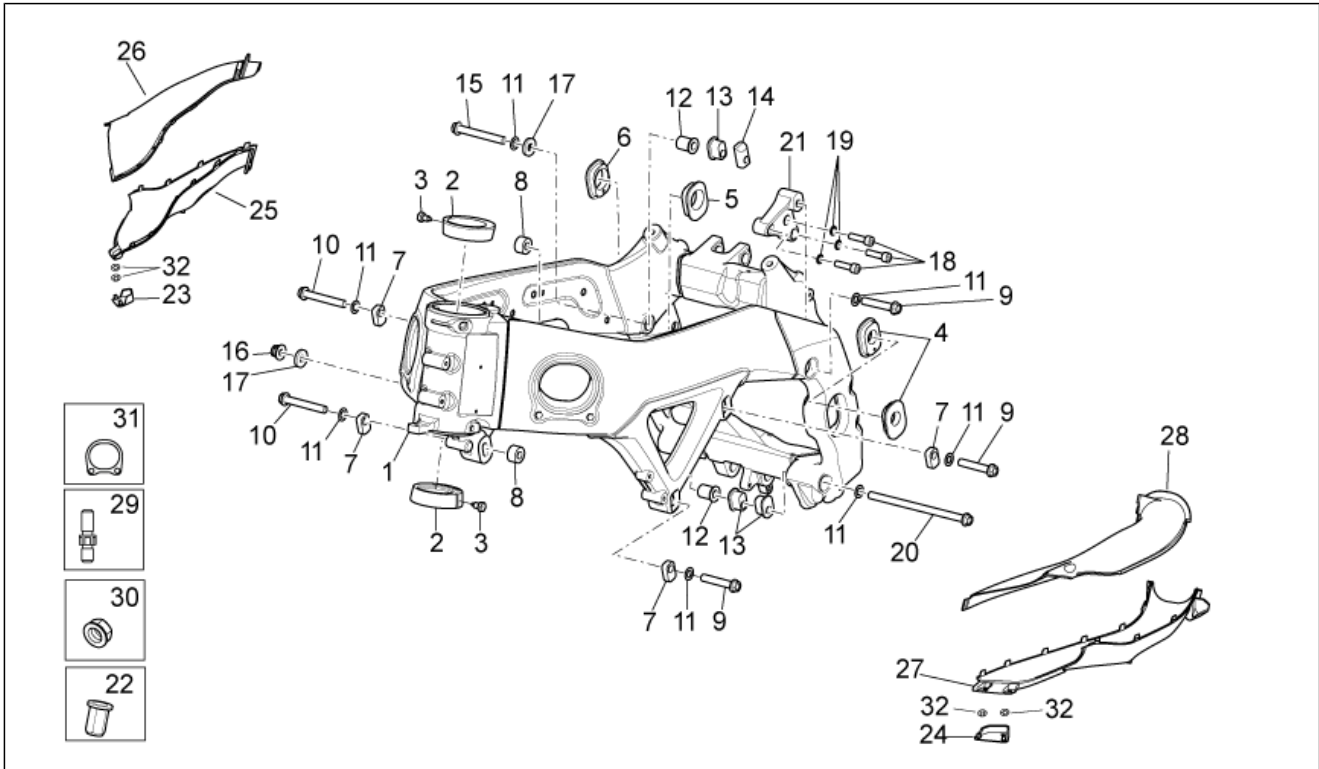
Code	No. table	Pos.	Code	No. table	Pos.	Code	No. table	Pos.
8976535004	29.39	2	899299	29.40	5	AP8112996	28.29	17
8976535005	29.39	2	899299	29.40	5	AP8113004	28.20	9
897775	28.21	3	899483	29.48	16	AP8113004	28.27	9
897858	28.21	1	899484	29.39	10	AP8113004	28.29	12
898047	28.21	39	899491	28.01	2	AP8113004	28.30	4
898092	29.39	16	899510	28.10	19	AP8113230	28.20	23
898126	28.17	15	899511	28.10	20	AP8113230	28.27	5
898133	29.37	5	899512	28.10	15	AP8113230	28.30	11
898134	29.37	12	899512	28.10	16	AP8113499	28.20	3
898252	28.16	2	899514	28.10	17	AP8113598	28.20	2
898268	29.51	4	899515	28.10	18	AP8113752	28.30	9
898269	29.51	12	899516	28.12	32	AP8113753	28.30	10
898272	29.37	2	899517	28.12	33	AP8116071	28.06	6
898276	29.37	7	89951800Z1	28.10	3	AP8117004	28.12	11
898383	28.25	12	89951900Z1	28.10	4	AP8117033	28.02	6
898385	28.25	13	899548	28.14	28	AP8117033	28.09	4
898402	29.42	1	899599	29.46	49	AP8117033	28.21	7
898410	29.41	3	974229	29.49	13	AP8117033	28.33	25
898463	29.37	13	AP8101595	28.20	13	AP8117258	28.13	22
898466	29.51	3	AP8101861	28.03	18	AP8117258	28.57	12
898467	29.41	1	AP8102239	28.56	6	AP8118502	28.18	12
898486	28.30	1	AP8102273	28.21	16	AP8118503	28.18	14
898532	28.14	29	AP8102349	28.22	8	AP8118649	28.18	2
898533	28.09	8	AP8102375	28.10	11	AP8120030	28.20	17
898534	28.09	27	AP8102375	28.14	22	AP8120030	28.21	14
898535	28.09	28	AP8102375	28.17	12	AP8120030	28.22	4
898536	28.10	26	AP8102375	28.31	7	AP8120177	28.15	5
898537	28.10	27	AP8102381	28.11	13	AP8120190	28.18	15
898540	28.10	17	AP8102381	28.12	16	AP8120190	29.49	14
898541	28.10	18	AP8102504	28.12	28	AP8120223	28.25	32
898542	28.10	16	AP8102520	28.56	2	AP8120223	28.255	32
898543	28.10	15	AP8102523	28.36	12	AP8120253	29.37	8
898544	28.12	8	AP8102524	28.04	10	AP8120405	28.31	14
898545	28.12	9	AP8102544	28.02	7	AP8120405	28.35	15
898546	28.12	10	AP8102678	28.56	1	AP8120428	28.10	28
89856800XN2	28.14	1	AP8102688	28.56	20	AP8120446	28.56	8
89856900XN2	28.14	1	AP8102719	28.56	21	AP8120531	28.10	29
89857000XR4	28.09	7	AP8102764	28.56	12	AP8120573	28.21	40
89857500XN2	28.10	3	AP8102902	28.01	22	AP8120622	28.09	23
89857600XN2	28.10	4	AP8102913	28.36	4	AP8120622	28.10	21
898586	28.14	4	AP8102998	28.56	10	AP8120622	28.12	31
898587	28.14	5	AP8104390	28.02	8	AP8120663	28.14	14
89858800XR4	28.14	3	AP8104719	28.36	6	AP8120822	28.29	15
898633	29.38	12	AP8104728	28.26	13	AP8120876	28.04	14
898633	29.46	26	AP8104728	28.28	20	AP8120912	28.29	7
898634	29.46	2	AP8104754	28.09	17	AP8120912	29.37	17
898635	29.38	16	AP8104755	28.09	13	AP8120952	28.21	29
898635	29.46	3	AP8104759	28.09	5	AP8121032	28.31	8
898636	29.46	50	AP8104760	28.09	15	AP8121032	28.56	23
898694	28.29	3	AP8104803	28.14	27	AP8121032	29.53	9
898695	28.29	4	AP8104803	28.36	10	AP8121075	28.07	16
898784	28.55	7	AP8104836	28.21	30	AP8121075	28.33	7
898785	28.55	8	AP8106389	28.22	9	AP8121096	28.33	20
898786	28.55	6	AP8110065	28.07	29	AP8121133	28.03	19
898787	28.55	9	AP8110065	28.08	3	AP8121155	28.08	7
898788	28.09	25	AP8110068	28.07	30	AP8121170	28.25	4
898789	28.09	26	AP8110068	28.08	4	AP8121170	28.255	4
899062	28.09	13	AP8110077	28.05	4	AP8121184	28.12	17
899063	28.09	17	AP8110078	28.07	3	AP8121199	28.25	17
899068	28.14	37	AP8110079	28.07	4	AP8121199	28.255	17
899125	28.36	14	AP8110081	28.28	14	AP8121201	28.07	6
899126	28.36	14	AP8110093	28.28	15	AP8121204	28.07	11
899127	28.36	14	AP8110094	28.26	5	AP8121207	28.05	5
899128	28.36	14	AP8112600	28.13	21	AP8121212	28.28	13
899191	29.37	24	AP8112600	28.57	11	AP8121213	28.28	11
899202	28.09	12	AP8112916	28.13	6	AP8121221	28.29	6
899203	28.09	16	AP8112916	28.57	5	AP8121221	29.37	16

Code	No. table	Pos.	Code	No. table	Pos.	Code	No. table	Pos.
AP8121223	28.29	10	AP8144046	28.33	15	AP8150236	28.255	16
AP8121223	29.37	22	AP8144048	28.07	9	AP8150236	28.33	21
AP8121224	28.03	5	AP8144061	28.35	10	AP8150248	28.04	13
AP8121267	28.56	9	AP8144065	28.33	26	AP8150248	28.11	7
AP8121428	28.22	6	AP8144087	28.23	8	AP8150255	28.14	24
AP8121455	28.25	19	AP8144158	28.14	32	AP8150255	28.17	3
AP8121455	28.255	19	AP8144443	28.07	21	AP8150272	28.11	6
AP8121475	28.33	18	AP8144444	28.07	22	AP8150285	28.14	19
AP8121566	28.03	4	AP8144558	28.25	18	AP8150285	28.36	9
AP8121570	28.07	26	AP8144558	28.255	18	AP8150285	29.38	21
AP8121592	28.28	21	AP8144563	28.10	10	AP8150292	28.01	11
AP8121718	28.05	14	AP8144563	28.11	10	AP8150292	28.04	6
AP8121725	28.25	31	AP8144563	28.58	9	AP8150311	28.04	11
AP8121725	28.255	31	AP8144564	28.09	19	AP8150334	28.07	15
AP8121728	28.17	16	AP8144565	28.09	21	AP8150340	28.20	14
AP8121728	28.21	34	AP8144565	28.12	30	AP8150359	28.11	12
AP8121991	28.21	35	AP8144565	28.14	33	AP8150376	28.25	15
AP8121991	28.33	10	AP8144616	28.10	9	AP8150376	28.255	37
AP8123641	28.05	6	AP8144616	28.11	9	AP8150376	28.33	3
AP8123642	28.05	7	AP8144616	28.58	8	AP8150376	29.37	19
AP8123643	28.05	8	AP8144707	28.02	10	AP8150382	28.255	14
AP8123975	28.06	3	AP8144713	28.14	7	AP8150382	28.31	6
AP8123977	28.06	5	AP8144720	28.21	38	AP8150382	28.35	3
AP8124719	28.11	16	AP8146502	28.03	8	AP8150382	28.58	10
AP8124869	28.34	4	AP8146516	28.08	9	AP8150413	28.12	23
AP8125687	28.07	19	AP8146518	28.08	5	AP8150413	28.13	1
AP8125728	28.26	9	AP8146616	28.03	20	AP8150420	28.32	2
AP8125730	28.28	10	AP8146617	28.03	24	AP8150421	28.12	29
AP8125731	28.28	6	AP8146862	28.03	2	AP8150421	28.23	24
AP8125732	28.28	12	AP8148824	28.07	28	AP8150429	28.03	11
AP8125827	28.26	7	AP8149034	28.57	16	AP8150429	28.20	21
AP8125838	28.28	17	AP8150009	28.255	15	AP8150429	29.49	4
AP8125839	28.28	19	AP8150011	28.21	23	AP8150429	29.51	11
AP8125841	28.26	8	AP8150012	28.04	12	AP8150429	29.52	17
AP8125842	28.26	14	AP8150014	29.48	17	AP8150430	28.07	17
AP8125843	28.26	6	AP8150017	28.33	22	AP8150431	28.25	21
AP8127098	28.13	5	AP8150018	28.25	20	AP8150431	28.255	21
AP8127098	28.57	13	AP8150018	28.25	25	AP8150431	29.37	18
AP8127432	28.20	11	AP8150018	28.255	20	AP8150436	28.28	8
AP8127489	28.09	22	AP8150018	28.255	25	AP8150444	28.11	11
AP8127489	28.13	18	AP8150020	28.15	7	AP8150444	28.21	13
AP8127699	28.09	15	AP8150020	29.37	20	AP8150450	28.01	32
AP8127700	28.09	5	AP8150044	28.56	25	AP8150450	28.12	22
AP8127856	28.04	15	AP8150044	29.38	13	AP8150462	28.29	16
AP8128189	28.26	15	AP8150044	29.52	31	AP8150462	29.37	23
AP8133502	28.20	22	AP8150050	28.18	13	AP8150468	28.07	31
AP8133664	28.20	5	AP8150107	28.01	18	AP8150469	28.02	5
AP8133666	28.20	8	AP8150114	28.06	10	AP8150474	28.20	19
AP8133824	28.27	4	AP8150137	28.18	10	AP8150500	28.11	8
AP8134167	28.20	20	AP8150137	28.22	12	AP8150500	28.17	13
AP8134383	28.20	15	AP8150137	29.53	10	AP8150503	28.07	27
AP8134451	28.03	17	AP8150158	28.11	14	AP8150505	28.14	23
AP8134640	28.25	30	AP8150158	28.12	27	AP8150506	28.01	30
AP8134640	28.255	30	AP8150158	28.13	8	AP8150506	28.09	3
AP8134783	28.57	3	AP8150158	28.21	33	AP8150509	28.17	2
AP8134829	28.03	16	AP8150164	28.03	23	AP8150509	28.31	5
AP8134948	28.36	11	AP8150179	28.13	11	AP8150509	28.35	11
AP8134955	28.03	3	AP8150179	28.33	6	AP8150509	28.35	2
AP8140711	28.36	2	AP8150182	28.13	12	AP8150515	28.31	4
AP8144005	28.07	12	AP8150204	28.11	15	AP8150522	28.13	20
AP8144006	28.07	10	AP8150204	28.13	7	AP8150522	28.57	14
AP8144007	28.29	8	AP8150204	28.21	24	AP8150536	28.14	9
AP8144007	29.37	21	AP8150204	28.57	6	AP8150537	28.03	14
AP8144008	28.22	14	AP8150204	28.57	7	AP8150538	28.12	15
AP8144012	29.52	12	AP8150220	28.05	13	AP8150538	28.14	21
AP8144012	29.52	23	AP8150236	28.05	11	AP8150538	28.255	13
AP8144033	28.21	12	AP8150236	28.25	16	AP8150540	28.03	9

Code	No. table	Pos.	Code	No. table	Pos.	Code	No. table	Pos.
AP8150540	28.05	15	AP8152306	28.57	2	AP8224470	29.37	4
AP8150543	28.18	9	AP8152306	28.58	7	AP8225369	28.04	3
AP8152001	28.04	5	AP8152318	28.04	2	AP8234020	28.07	13
AP8152043	28.12	25	AP8152318	29.46	42	AP8257609	28.55	2
AP8152043	28.18	19	AP8152323	28.26	12	AP8257755	28.55	3
AP8152108	28.13	16	AP8152323	28.28	22	AP8257794	28.55	5
AP8152108	28.57	18	AP8152324	28.28	9	AP8267395	28.55	4
AP8152112	28.25	26	AP8152329	28.13	4	AP9100456	28.21	27
AP8152112	28.255	26	AP8152329	28.17	11	AP9100519	28.19	5
AP8152128	28.33	5	AP8152329	28.23	14	AP9150006	29.46	39
AP8152137	28.13	10	AP8152329	28.23	18	AP9150051	29.46	38
AP8152137	28.20	16	AP8152329	28.23	4	AP9150145	29.38	28
AP8152154	28.01	19	AP8152329	28.24	18	AP9150145	29.46	4
AP8152154	28.33	23	AP8152329	28.24	5	B0430675	29.39	1
AP8152166	29.38	10	AP8152335	28.26	10	B043165	28.36	14
AP8152166	29.46	6	AP8152339	28.14	20	B043231	29.54	6
AP8152179	28.33	27	AP8152398	28.01	15	B043283	28.25	11
AP8152181	28.57	17	AP8152409	28.03	6	B043524	28.55	6
AP8152238	28.33	17	AP8152410	28.01	9	B043525	28.55	9
AP8152246	28.14	18	AP8152411	28.08	10	B043542	29.49	22
AP8152267	28.06	8	AP8152412	28.08	6	B043807	29.41	10
AP8152267	28.07	25	AP8152413	28.08	11	B043864	28.14	26
AP8152267	28.57	4	AP8152414	28.27	7	B043920	28.36	1
AP8152269	28.11	5	AP8152441	28.01	17	B043925	28.14	17
AP8152272	28.21	18	AP8152442	28.05	10	B043929	28.14	25
AP8152272	29.51	1	AP8152481	28.01	10	B043929	28.36	3
AP8152273	28.14	15	AP8157100	28.55	1	B043933	28.15	11
AP8152273	28.20	24	AP8161127	28.14	11	B043933	28.15	9
AP8152277	28.05	18	AP8163064	28.05	3	B043941	28.15	10
AP8152277	28.22	10	AP8163170	28.05	9	B044363	28.55	8
AP8152277	29.41	6	AP8176101	28.28	16	B044364	28.55	7
AP8152278	29.37	1	AP8201727	28.22	15	B044365	29.47	8
AP8152279	28.21	4	AP8201755	28.02	4	B044433	28.14	29
AP8152279	28.30	13	AP8201755	28.10	23	B044434	28.10	27
AP8152279	28.33	9	AP8202058	28.12	13	B044435	28.10	26
AP8152279	29.37	9	AP8213057	28.20	7	B044436	28.10	33
AP8152279	29.49	21	AP8220150	28.17	4	B044437	28.10	34
AP8152280	28.22	2	AP8220150	28.35	4	B04443800XN2	28.14	1
AP8152280	29.38	6	AP8220177	29.37	6	B04443900XN2	28.14	1
AP8152280	29.46	48	AP8220186	28.09	24	B04444200XN2	28.10	3
AP8152281	28.25	29	AP8220186	28.32	3	B04444300XN2	28.10	4
AP8152281	28.255	29	AP8220238	28.12	24	B044474	29.47	7
AP8152283	28.05	12	AP8220283	28.31	12	B044618	28.55	12
AP8152284	29.38	8	AP8220283	28.33	13	B044724BL	29.39	4
AP8152285	28.33	2	AP8220283	28.34	13	B044724GI	29.39	4
AP8152286	28.26	11	AP8220323	28.02	9	B044724VE	29.39	4
AP8152286	28.30	18	AP8220366	28.14	31	B0447525	29.42	1
AP8152289	29.38	9	AP8221023	28.20	18	B044797	28.10	31
AP8152294	29.38	7	AP8221023	28.21	9	B044798	28.10	32
AP8152298	28.16	6	AP8221023	28.22	3	B044799	28.12	8
AP8152298	28.30	17	AP8221036	28.32	4	B044800	28.12	9
AP8152298	28.32	5	AP8221043	28.18	11	B044814	28.14	28
AP8152298	28.58	6	AP8221129	28.36	8	B045021	28.18	5
AP8152299	28.13	17	AP8221145	28.17	9	B045033	28.28	5
AP8152299	28.16	5	AP8221145	28.21	32	B045412AA	29.39	1
AP8152299	28.22	5	AP8221145	28.35	9	B045412CC	29.39	1
AP8152299	28.33	8	AP8221150	28.21	36	B045412DD	29.39	1
AP8152299	28.35	12	AP8221150	28.56	5	B045412FF	29.39	1
AP8152299	28.56	17	AP8221311	28.56	13	B0454754BB	29.39	2
AP8152299	28.57	15	AP8221349	28.30	16	B0454754CC	29.39	2
AP8152301	28.01	16	AP8224164	28.57	1	B0454754DD	29.39	2
AP8152301	28.08	8	AP8224462	28.31	11	B0454754EE	29.39	2
AP8152302	28.07	24	AP8224462	28.33	12	B045476	29.44	14
AP8152302	28.12	14	AP8224462	28.34	12	B045476	29.45	14
AP8152302	28.15	2	AP8224470	28.03	10	B045973	29.38	1
AP8152302	28.16	4	AP8224470	28.17	8	CM001901	28.56	15
AP8152305	28.07	14	AP8224470	28.29	18	CM001905	29.53	4

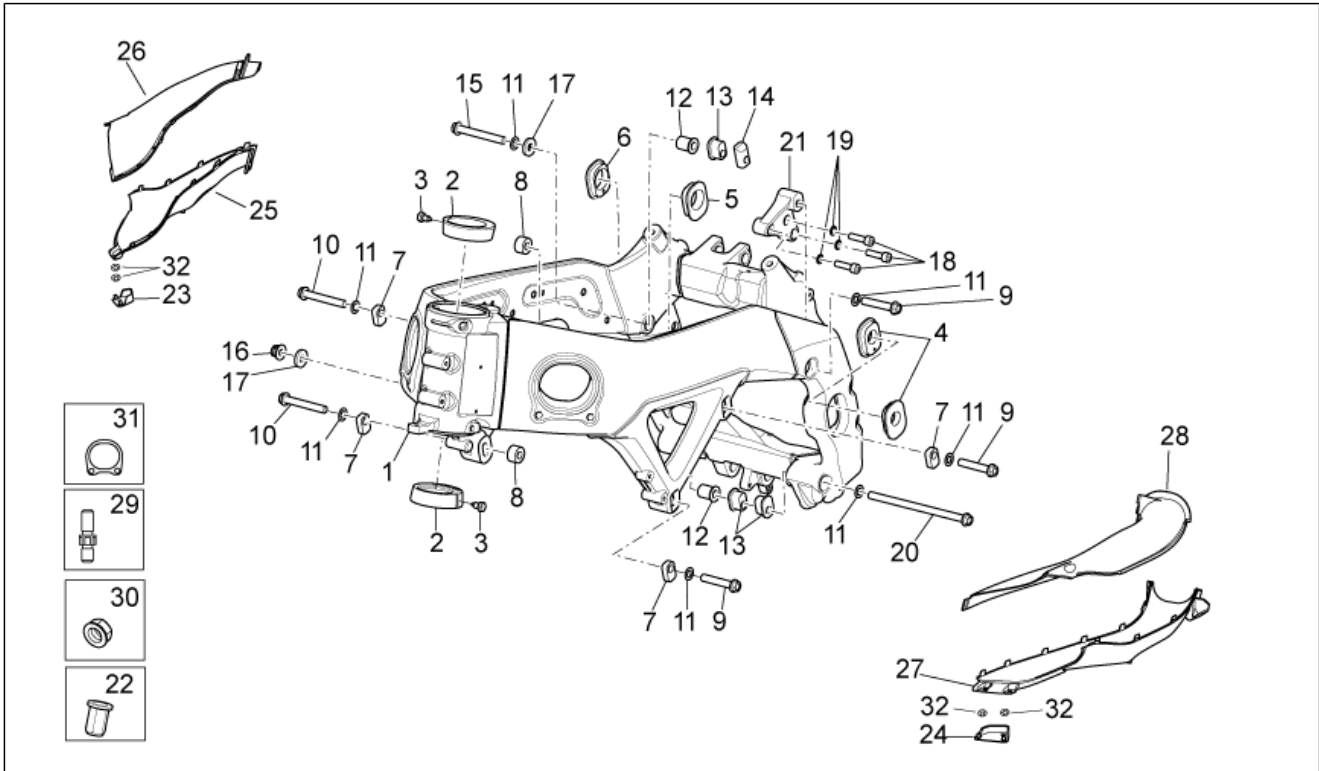
Code	No. table	Pos.	Code	No. table	Pos.
CM001927	28.23	25	CM228038	29.43	1
CM002903	28.24	4	CM228040	29.43	1
CM002912	28.23	2	CM228042	29.43	1
CM002916	29.53	5	CM228044	29.43	1
CM083515	28.35	1	CM228046	29.43	1
CM083518	28.35	1	CM228048	29.43	1
CM101711	29.52	14	CM228050	29.43	1
CM178411	28.56	16	CM228052	29.43	1
CM178412	28.56	19	CM228054	29.43	1
CM178413	28.56	14	CM228056	29.43	1
CM223401	29.43	1	GU01603480	28.18	16
CM223402	29.43	1	GU05128230	28.25	7
CM223403	29.43	1	GU05128230	28.255	7
CM223404	29.43	1	GU05603331	28.18	17
CM223405	29.43	1	GU05677730	28.03	7
CM223406	29.43	1	GU30027931	28.23	22
CM223407	29.43	1	GU30729330	28.23	23
CM223408	29.43	1			
CM223409	29.43	1			
CM223410	29.43	1			
CM223411	29.43	1			
CM223412	29.43	1			
CM223413	29.43	1			
CM223414	29.43	1			
CM223415	29.43	1			
CM223416	29.43	1			
CM223417	29.43	1			
CM223418	29.43	1			
CM223419	29.43	1			
CM223420	29.43	1			
CM223421	29.43	1			
CM223422	29.43	1			
CM223423	29.43	1			
CM223424	29.43	1			
CM223425	29.43	1			
CM223426	29.43	1			
CM223427	29.43	1			
CM223428	29.43	1			
CM223429	29.43	1			
CM224903	28.28	4			
CM225401	29.53	6			
CM225605	28.34	8			
CM225607	28.34	9			
CM225615	28.34	10			
CM225730	28.34	11			
CM2266015	29.37	10			
CM2266035	29.37	10			
CM227501	29.40	1			
CM227502	29.40	1			
CM228002	29.43	1			
CM228004	29.43	1			
CM228006	29.43	1			
CM228008	29.43	1			
CM228010	29.43	1			
CM228012	29.43	1			
CM228014	29.43	1			
CM228016	29.43	1			
CM228018	29.43	1			
CM228020	29.43	1			
CM228022	29.43	1			
CM228024	29.43	1			
CM228026	29.43	1			
CM228028	29.43	1			
CM228030	29.43	1			
CM228032	29.43	1			
CM228034	29.43	1			
CM228036	29.43	1			

Group	FRAME
Code	28.01
Description	Frame I
Service	1



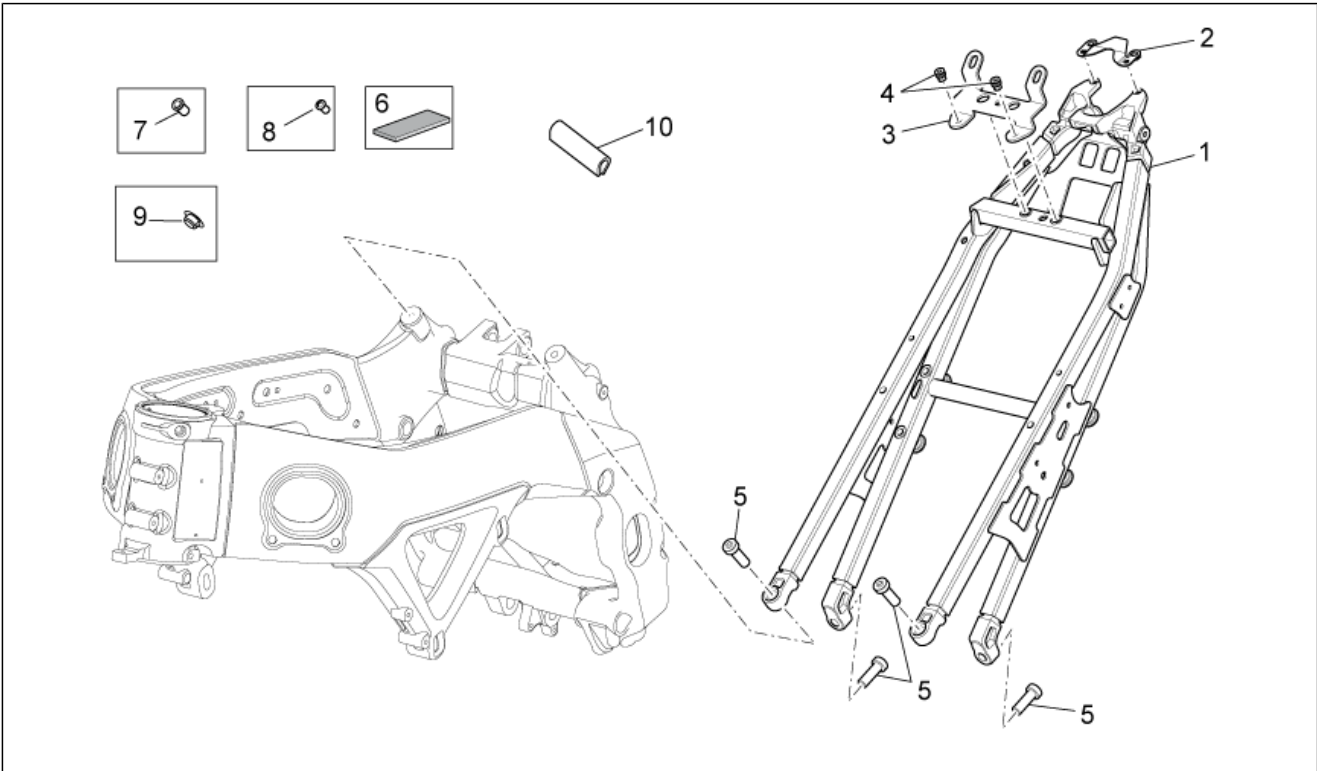
Pos.	Code	Description	Qty	Variants
1	895460	Frame	1	
2	899491	Bushings torque	1	
3	858729	Dowel	2	
4	858704	LH Insert	2	
5	858705	RH internal Insert	1	
6	858706	RH external Insert	1	
7	858717	Front Insert	4	
8	858718	RH spacer	2	
9	AP8152410	Screw w/ flange M10x55	3	
10	AP8152481	Screw w/ flange	2	
11	AP8150292	Curved spring washer *	7	
12	858710	Bush	2	
13	858714	Rear Insert	3	
14	858711	Insert	1	
15	AP8152398	Screw w/ flange M10x80	1	
16	AP8152301	Self-locking nut	1	
17	AP8152441	Washer 10,5x25x4	2	
18	AP8150107	Hex socket screw M8x30	3	
19	AP8152154	Washer 8,4x13*	3	
20	858712	Pin	1	
21	856696	Engine support	1	
22	AP8102902	Hex threaded insert	4	
23	858925	RH lower support	1	
24	858926	LH lower support	1	
25	858907	RH Lower Air duct	1	
26	858815	RH Upper Air duct	1	
27	858818	LH Lower Air duct	1	
28	858817	LH Upper Air duct	1	

Group	FRAME
Code	28.01
Description	Frame I
Service	1



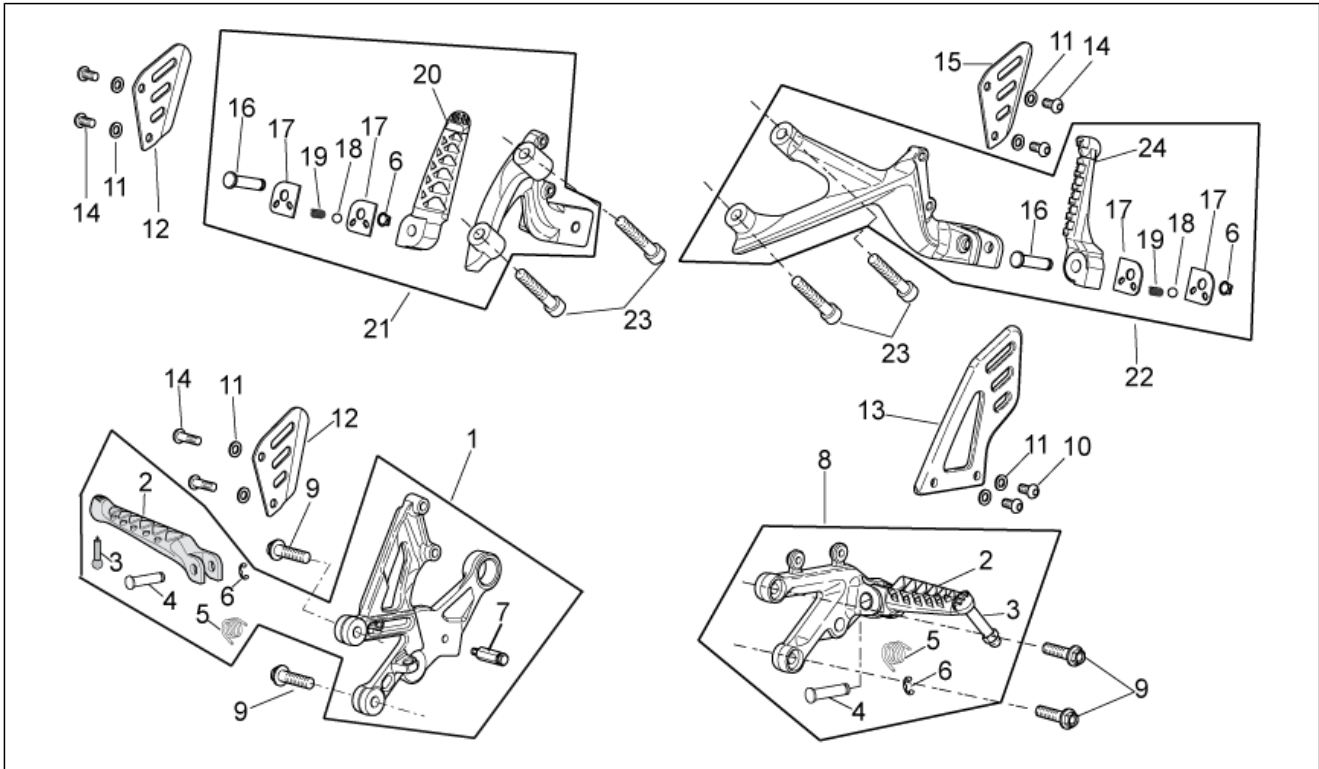
Pos.	Code	Description	Qty	Variants
29	894027	Pin	4	
30	AP8150506	Flanged nut	4	
31	858819	RH-LH Gasket	2	
32	AP8150450	Washer for shafts D5	4	

Group	FRAME
Code	28.02
Description	Frame II
Service	1



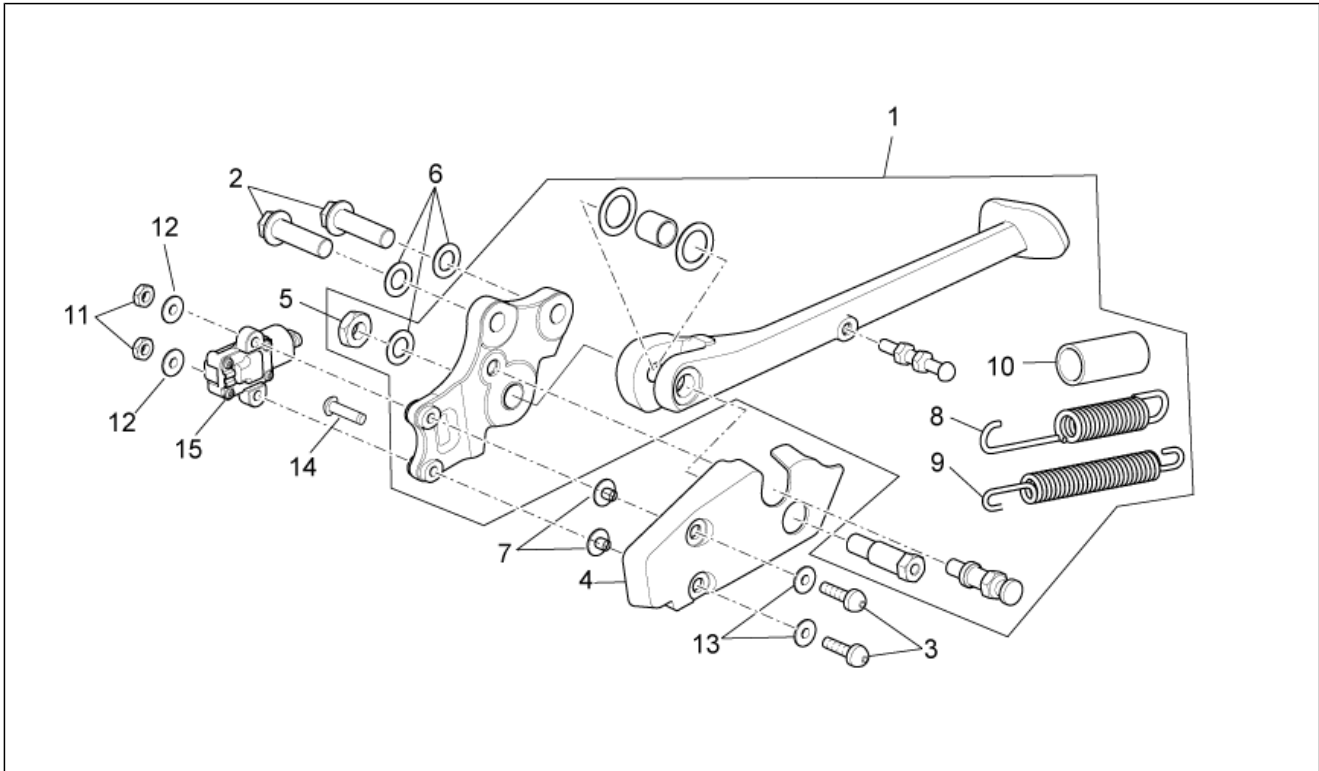
Pos.	Code	Description	Qty	Variants
1	858849	Saddle support	1	
2	858903	Headlight support clamp	1	
3	858904	Support bracket	1	
4	AP8201755	Threaded rivet	2	
5	AP8150469	Hex socket screw M10x30	4	
6	AP8117033	Adhesive sponge	1	
7	AP8102544	Threaded rivet M6	4	
8	AP8104390	Threaded rivet	6	
9	AP8220323	Cover	1	
10	AP8144707	Gasket	1	

Group	FRAME
Code	28.03
Description	Foot rests
Service	1



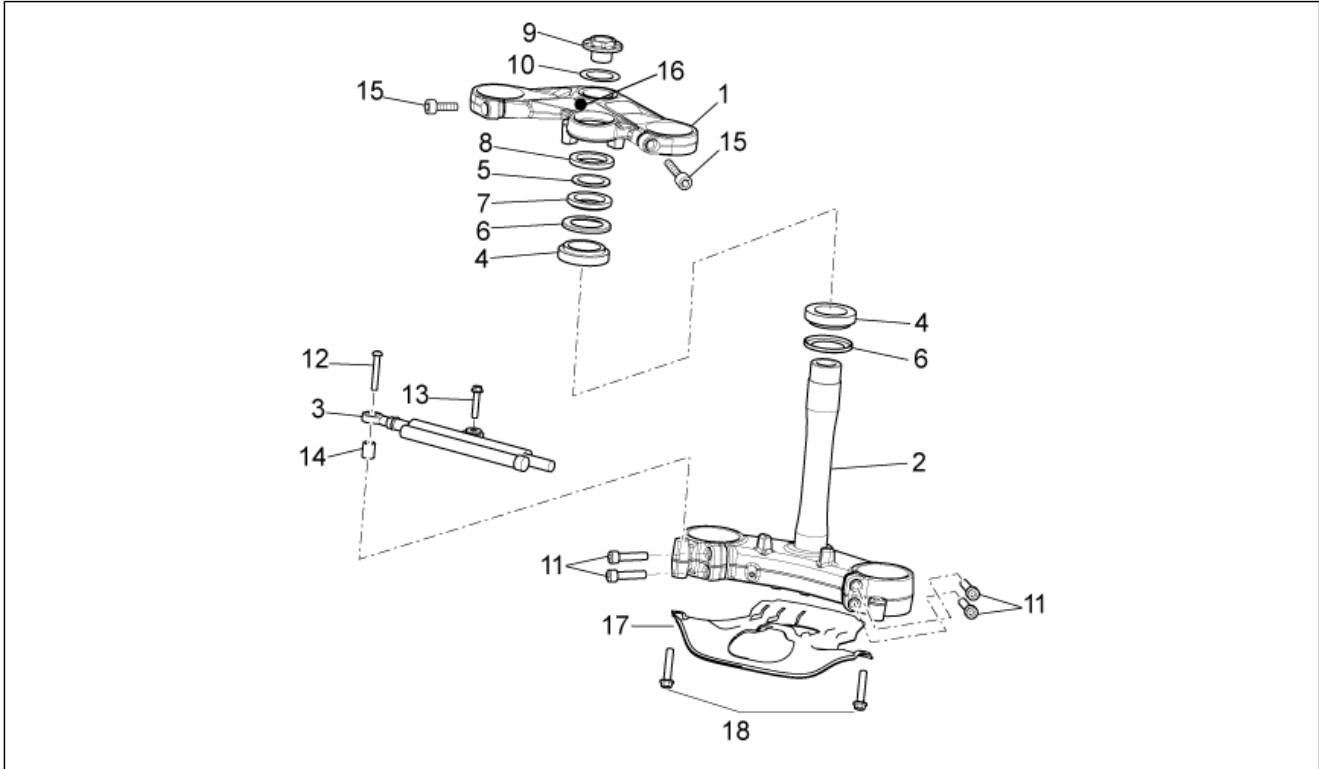
Pos.	Code	Description	Qty	Variants
1	858786	RH front footrest bracket	1	
2	AP8146862	Front footrest, pair	1	
3	AP8134955	Footrest pin	2	
4	AP8121566	Footrest pin	2	
5	AP8121224	Footrest return spring	2	
6	AP8152409	Stop ring	2	
7	GU05677730	Springs fixing pin	1	
8	AP8146502	LH front footrest bracket	1	
9	AP8150540	Screw	4	
10	AP8224470	Hex socket screw M6x20	2	
11	AP8150429	Spring washer 6,4x11x0,5*	8	
12	858787	RH protection	2	
13	858788	LH protection	1	
14	AP8150537	Hex socket screw M6x12	6	
15	894201	LH rear footrest guard	1	
16	AP8134829	Footrest pin	2	
17	AP8134451	Footrest plate	4	
18	AP8101861	Ball D6,35	2	
19	AP8121133	Coil compress. spring	2	
20	AP8146616	Rear footrest, RH	1	
21	893996	Rear footrest, RH cpl	1	
22	893997	Rear footrest, LH	1	
23	AP8150164	Hex socket screw M8x45	4	
24	AP8146617	Rear footrest, LH	1	

Group	FRAME
Code	28.04
Description	Central stand
Service	1



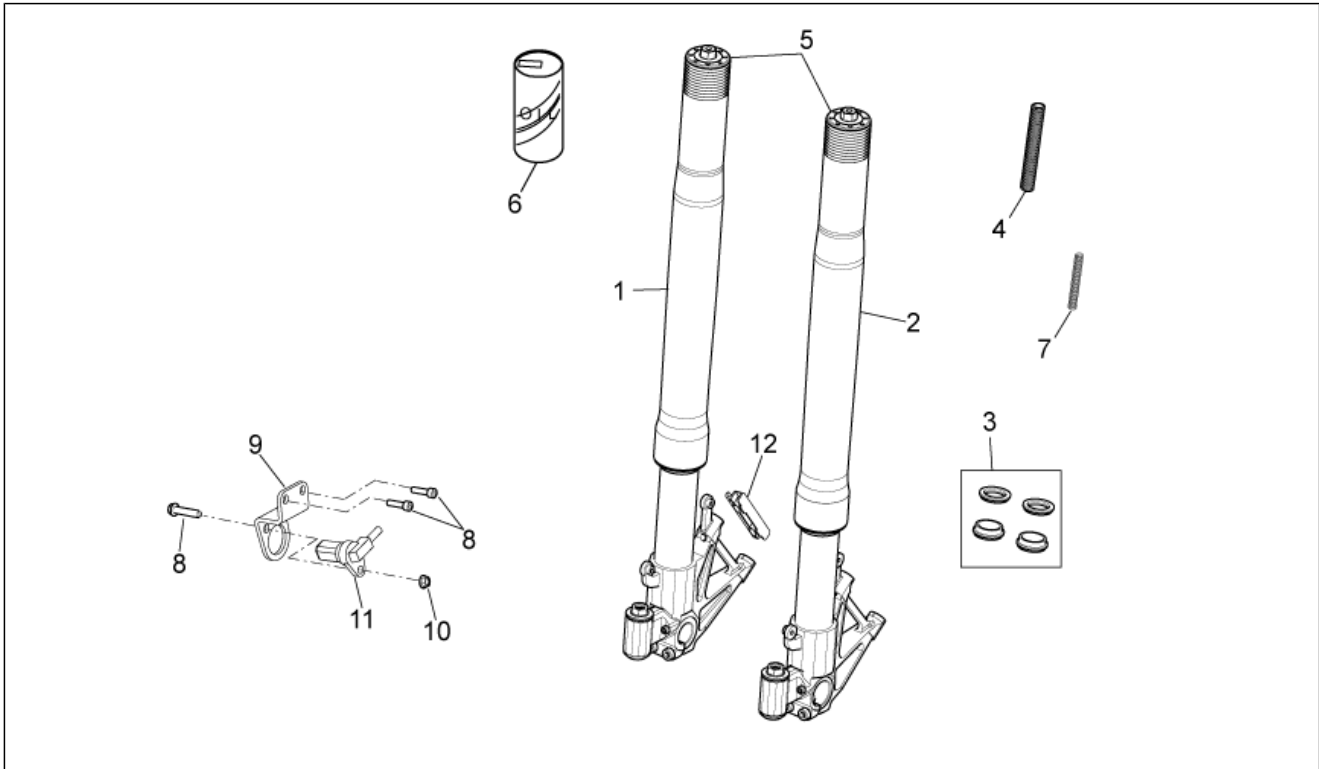
Pos.	Code	Description	Qty	Variants
1	858863	Stand cpl.	1	
1	895250	Stand cpl.	1	Country:Canadian[CA], United States of America[USA]
2	AP8152318	Screw w/ flange M10x35	2	
3	AP8225369	Hex socket screw	2	
4	858941	Guard	1	
5	AP8152001	Low nut M10x1,25	1	
6	AP8150292	Curved spring washer *	3	
7	843213	T bush	2	
8	893044	Outer spring	1	
9	893045	Inner spring	1	
10	AP8102524	Stand spring protection	1	
11	AP8150311	Low self-locking nut	2	
12	AP8150012	Washer 5,3x10x1*	2	
13	AP8150248	Washer 5,5x15x1,6	2	
14	AP8120876	Plug	1	
15	AP8127856	Lateral stand switch	1	

Group	FRAME
Code	28.05
Description	Steering
Service	1



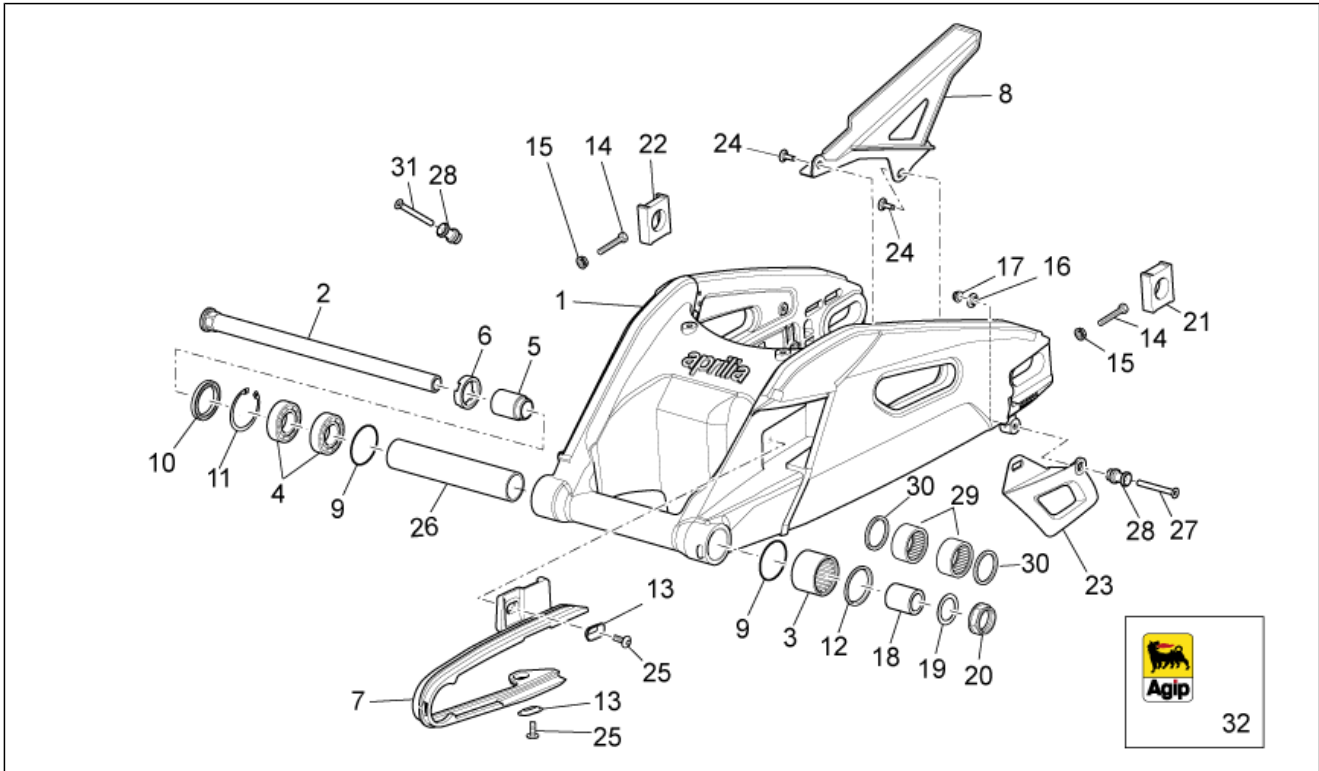
Pos.	Code	Description	Qty	Variants
1	858737	Upper plate	1	
2	896311	Lower plate	1	
3	AP8163064	Steering shock absorber	1	
4	AP8110077	Axial ball bearing	2	
5	AP8121207	Steering security plate	1	
6	AP8123641	Dust cover ring	2	
7	AP8123642	Ring nut	1	
8	AP8123643	Return ring nut	1	
9	AP8163170	Upper plate fixing bush	1	
10	AP8152442	Stem plug washer	1	
11	AP8150236	Hex socket screw M8x35	4	
12	AP8152283	Screw w/ flange	1	
13	AP8150220	Hex socket screw M6x30	1	
14	AP8121718	Headlight bush	1	
15	AP8150540	Screw	2	
16	893819	Name plate "aprilia"	1	
17	893113	Front fork lower closing	1	
18	AP8152277	Screw w/ flange M6x12	2	

Group	FRAME
Code	28.06
Description	Front fork
Service	1



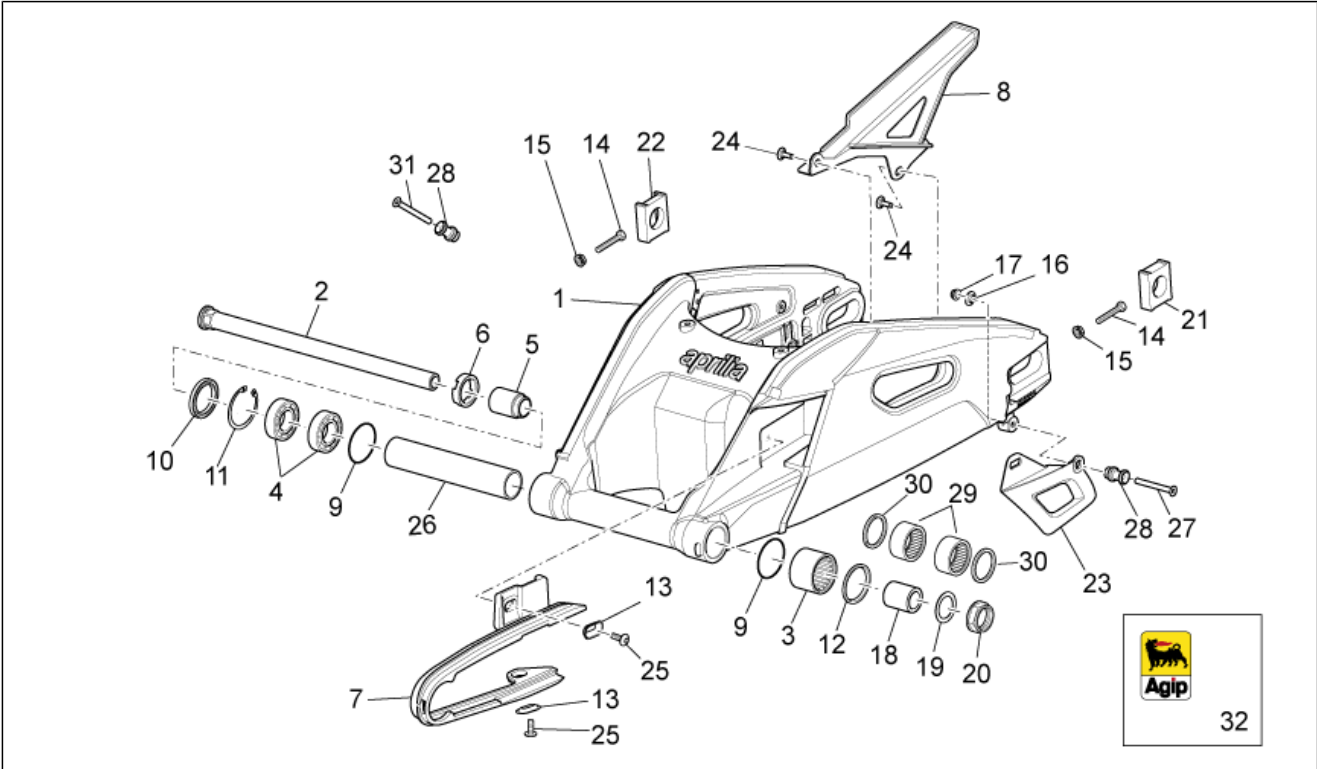
Pos.	Code	Description	Qty	Variants
1	897302	RH hub	1	
2	854547	LH hub	1	
3	AP8123975	Front fork revision kit	1	
4	893945	Spring	2	
5	AP8123977	Plug cpl.	2	
6	AP8116071	Front fork oil 1 lt.	1	
7	893966	Return spring	2	
8	AP8152267	Hex socket screw M5x12	3	
9	897111	Sensor support	1	
10	AP8150114	Low self-locking nut	1	
11	859792	Sensor ABS	1	
12	896944	Fairlead	1	

Group	FRAME
Code	28.07
Description	Swing arm
Service	1



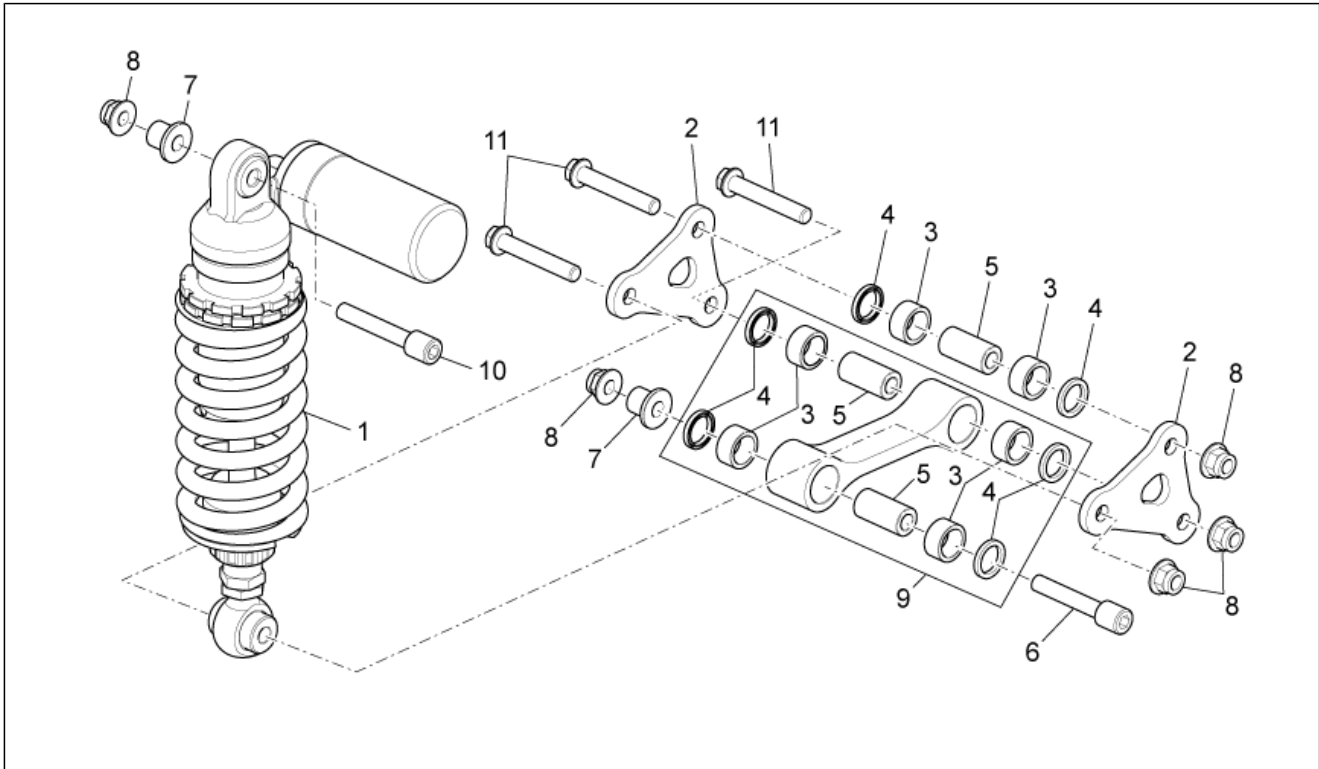
Pos.	Code	Description	Qty	Variants
1	858770	Swing arm	1	
2	858707	Rear swing arm pin	1	
3	AP8110078	Cage à rouleaux	1	
4	AP8110079	Ball bearing	2	
5	858708	Adjustment bush	1	
6	AP8121201	Swing arm ring nut	1	
7	858780	Chain guide plate	1	
8	858783	Chain guard	1	
9	AP8144048	O-ring 134	2	
10	AP8144006	Gasket ring	1	
11	AP8121204	Inside circlip d37	1	
12	AP8144005	Gasket ring	1	
13	AP8234020	Cup for shoe	2	
14	AP8152305	Chain tens.adjuster screw	2	
15	AP8150334	Nut M8	2	
16	AP8121075	T bush *	1	
17	AP8150430	Low self-locking nut	1	
18	858936	Rear int.sw.arm piv.bush	1	
19	AP8125687	Wheel pin washer	1	
20	648708	Rear wheel spindle nut	1	
21	AP8144443	LH chain guide plate	1	
22	AP8144444	RH chain guide plate	1	
23	858781	Chain guide plate	1	
24	AP8152302	Screw w/ flange M5x12	3	
25	AP8152267	Hex socket screw M5x12	2	
26	AP8121570	Internal spacer	1	
27	AP8150503	Screw	1	
28	AP8148824	Maintenance	2	

Group	FRAME
Code	28.07
Description	Swing arm
Service	1



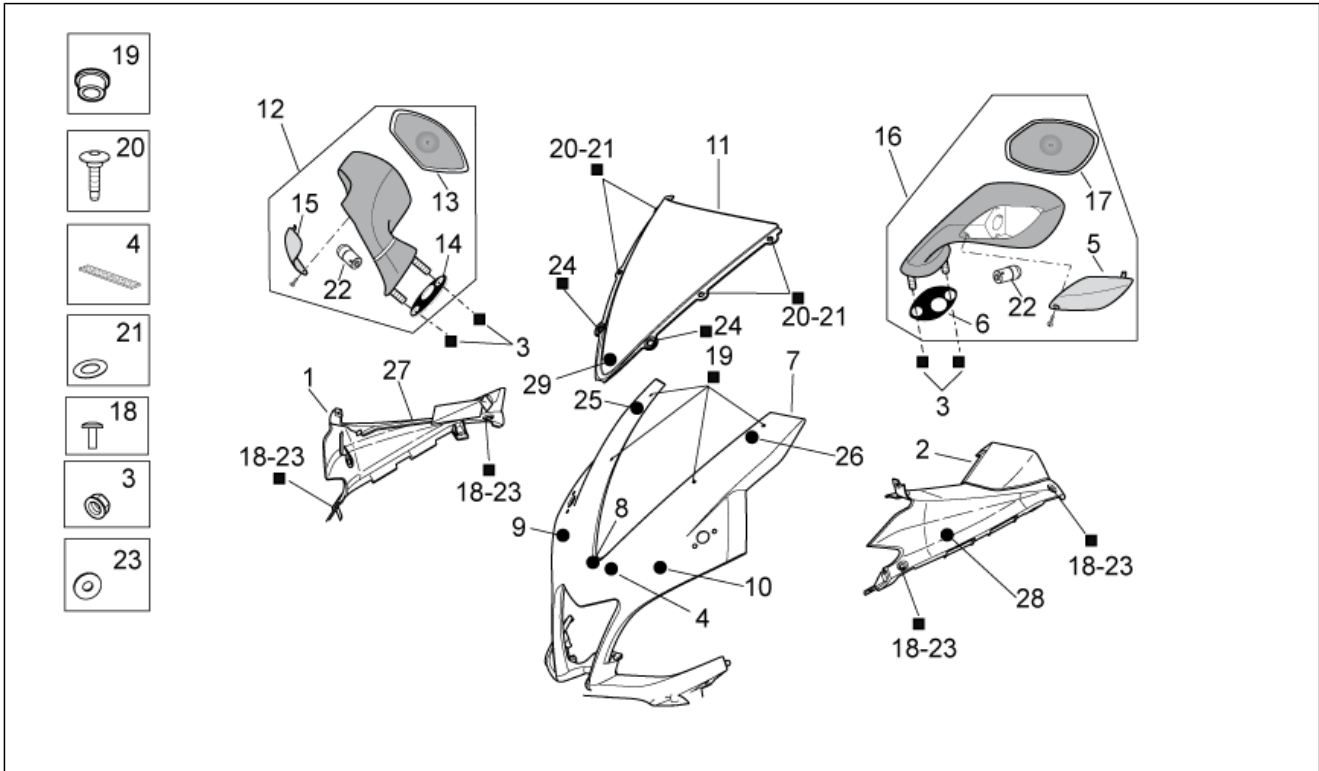
Pos.	Code	Description	Qty	Variants
29	AP8110065	Cage à rouleaux	2	
30	AP8110068	Oil seal D18x24x3	2	
31	AP8150468	Screw M6x40	1	
32	852029	Decal "AGIP"	2	

Group	FRAME
Code	28.08
Description	Rear shock absorber
Service	1



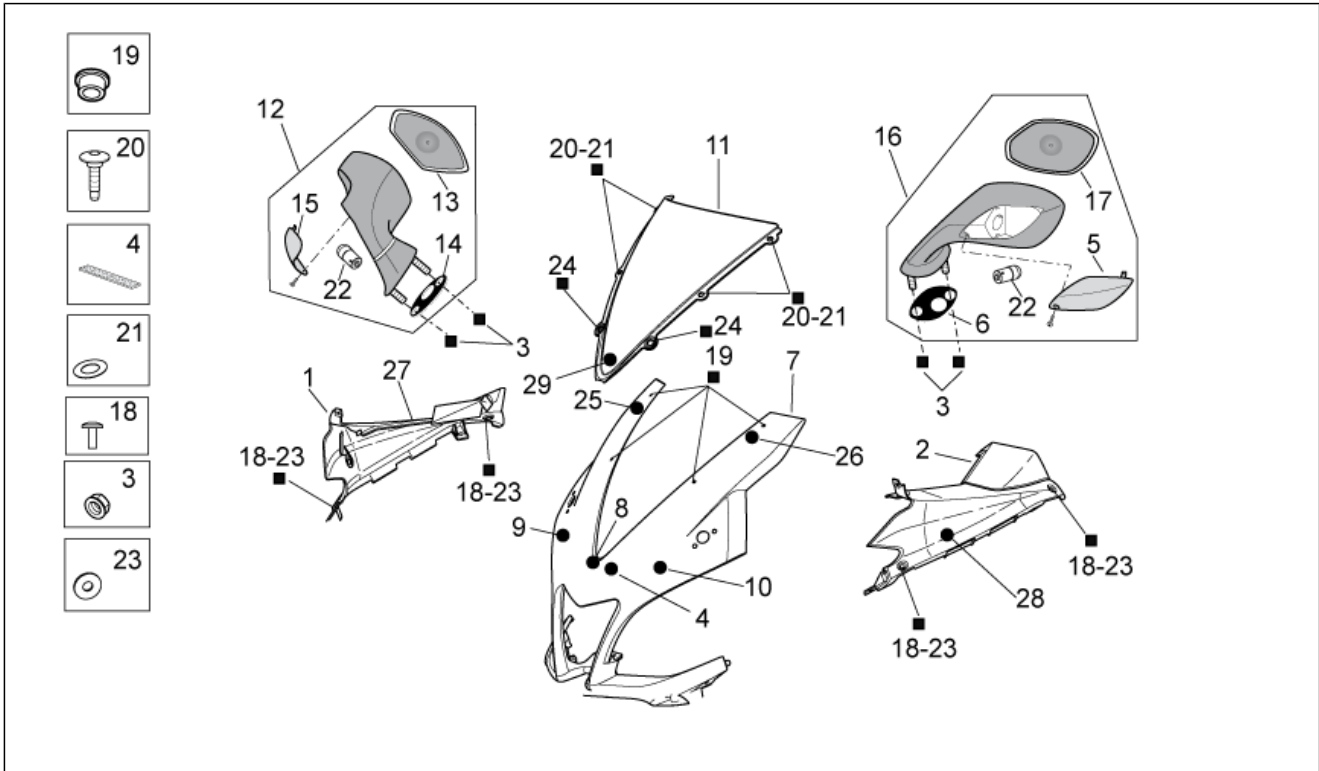
Pos.	Code	Description	Qty	Variants
1	858909	Shock absorber	1	
2	858918	Double conrod	2	
3	AP8110065	Cage à rouleaux	4	
4	AP8110068	Oil seal D18x24x3	4	
5	AP8146518	Piston pin L=36	3	
6	AP8152412	Hex socket screw M10x72	1	
7	AP8121155	T bush *	2	
8	AP8152301	Self-locking nut	5	
9	AP8146516	Single conrod comp.	1	
10	AP8152411	Hex socket screw M10x59	1	
11	AP8152413	Screw w/ flange M10x61	3	

Group	FRAME
Code	28.09
Description	Front body I
Service	1



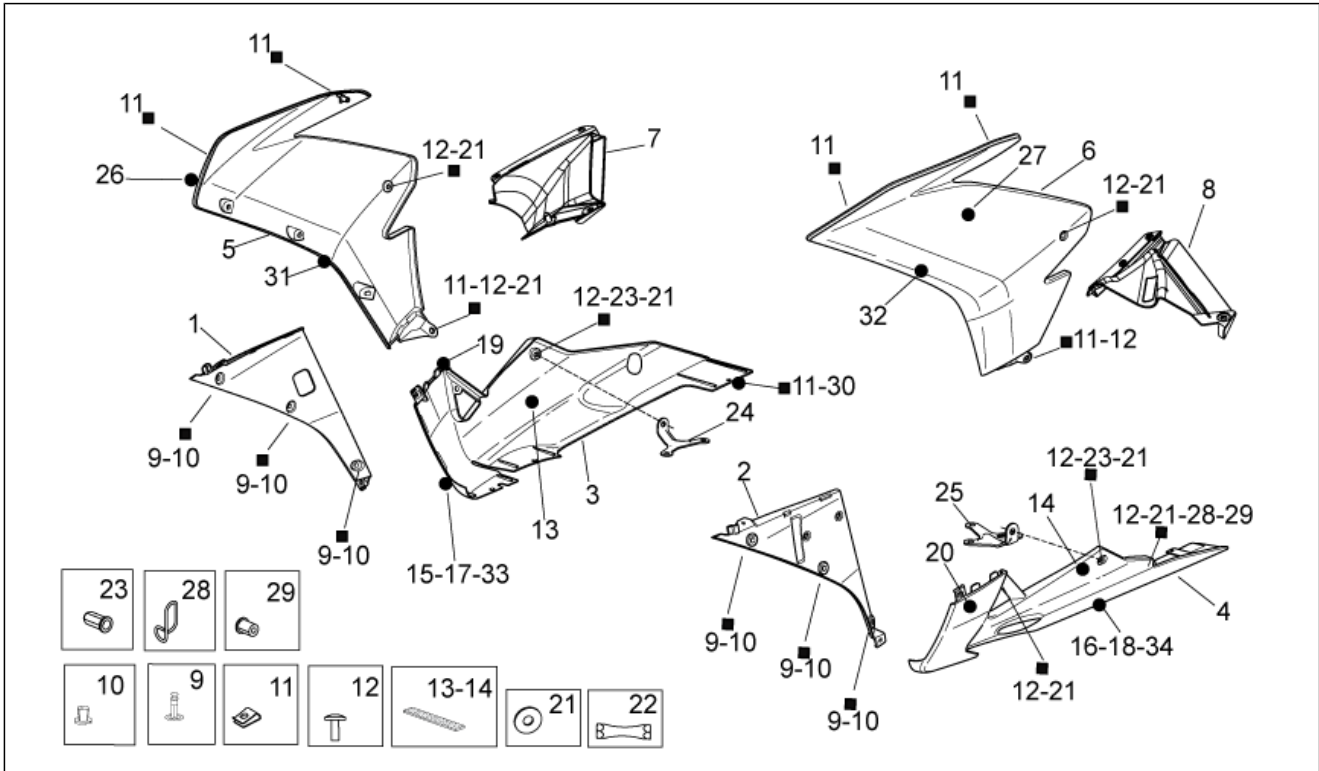
Pos.	Code	Description	Qty	Variants
1	85881300XN6	Upper RH fairing, black	1	
2	89732600XN6	Upper LH fairing, black	1	
3	AP8150506	Flanged nut	4	
4	AP8117033	Adhesive sponge	1	
5	AP8104759	LH orange lens	1	Country:Canadian[CA], United States of America[USA]
5	AP8127700	LH transparent lens	1	Country:europe[EU], Japan[J], Russia[RU]
6	893936	LH gasket	1	
7	89857000XR4	Front fairing, red	1	Technical specification:With decals applied[D]
8	898533	Front fairing decal	1	
9	893763	RH Front fairing decal	1	
10	893764	LH Front fairing decal	1	
11	893257	Windshield	1	Country:europe[EU], Japan[J], Russia[RU]
11	894630	Windshield	1	Country:Australia[AU], Canadian[CA], United States of America[USA]
12	890878	RH rearview mirror	1	Country:europe[EU], Russia[RU]
12	894519	RH rearview mirror	1	Country:Canadian[CA], United States of America[USA]
12	899202	RH rearview mirror	1	Country:Japan[J]
13	899062	RH rearview mirror	1	Country:Japan[J]
13	AP8104755	RH rearview mirror	1	Country:Canadian[CA], europe[EU], United States of America[USA]
14	893935	RH gasket	1	
15	AP8104760	RH orange lens	1	Country:Canadian[CA], United States of America[USA]
15	AP8127699	RH transparent lens	1	Country:europe[EU], Japan[J], Russia[RU]
16	890879	LH rearview mirror	1	Country:europe[EU], Russia[RU]
16	894520	LH rearview mirror	1	Country:Canadian[CA], United States of America[USA]
16	899203	LH rearview mirror	1	Country:Japan[J]
17	899063	LH rearview mirror	1	Country:Japan[J]
17	AP8104754	LH rearview mirror	1	Country:Canadian[CA], europe[EU], Russia[RU], United States of America[USA]

Group	FRAME
Code	28.09
Description	Front body I
Service	1



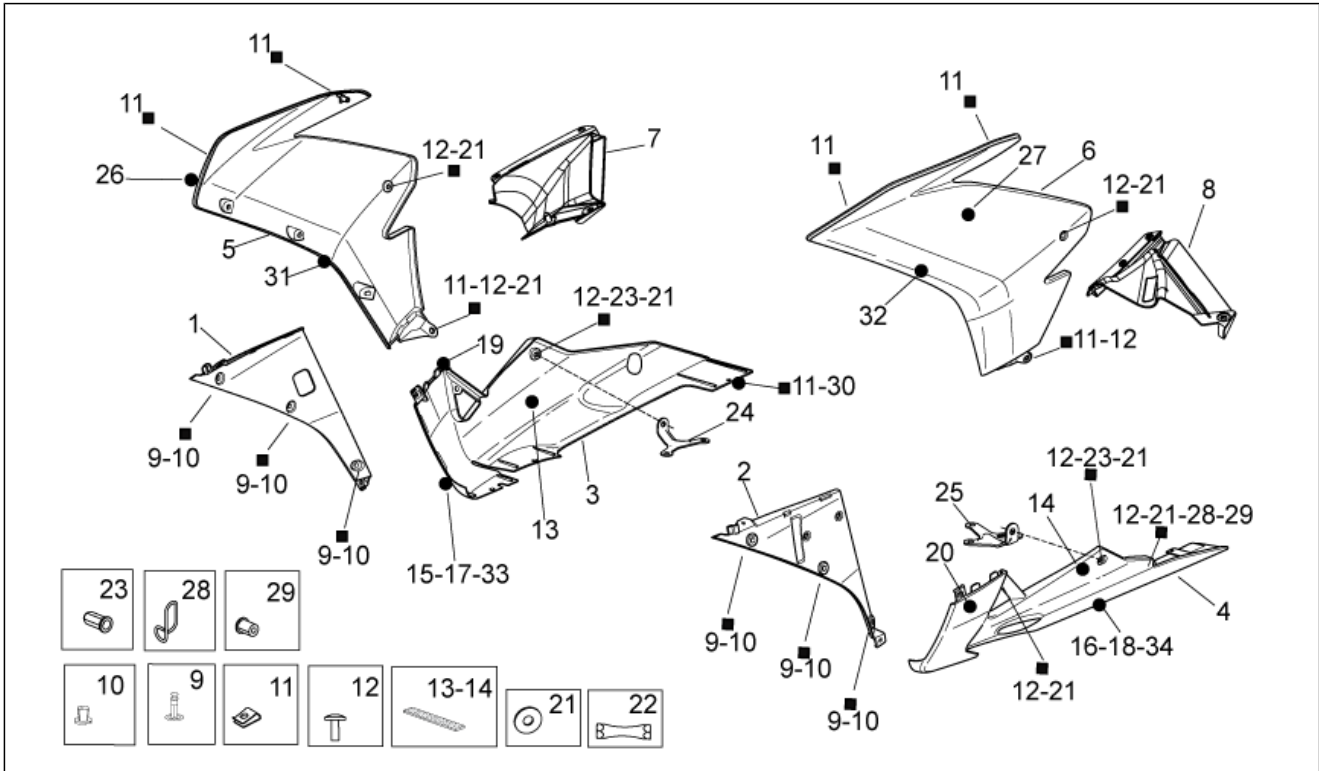
Pos.	Code	Description	Qty	Variants
18	893838	screw	4	
19	AP8144564	Rubber w/ insert M4	4	
20	893839	screw TBCEI M4X12	4	
21	AP8144565	Nylon washer	4	
22	181746	Lamp 12V-10W	2	Country:Canadian[CA], United States of America[USA]
22	AP8127489	Lamp RY10W 12V	2	
23	AP8120622	Front dust cover ring	4	
24	AP8220186	Rubber spacer	1	
25	898788	Decal Aprc Factory DX	1	
26	898789	Decal Aprc Factory SX	1	
27	898534	RH Top fairing decal	1	
28	898535	LH Top fairing decal	1	
29	895335	Windshield decal	1	

Group	FRAME
Code	28.10
Description	Front body II
Service	1



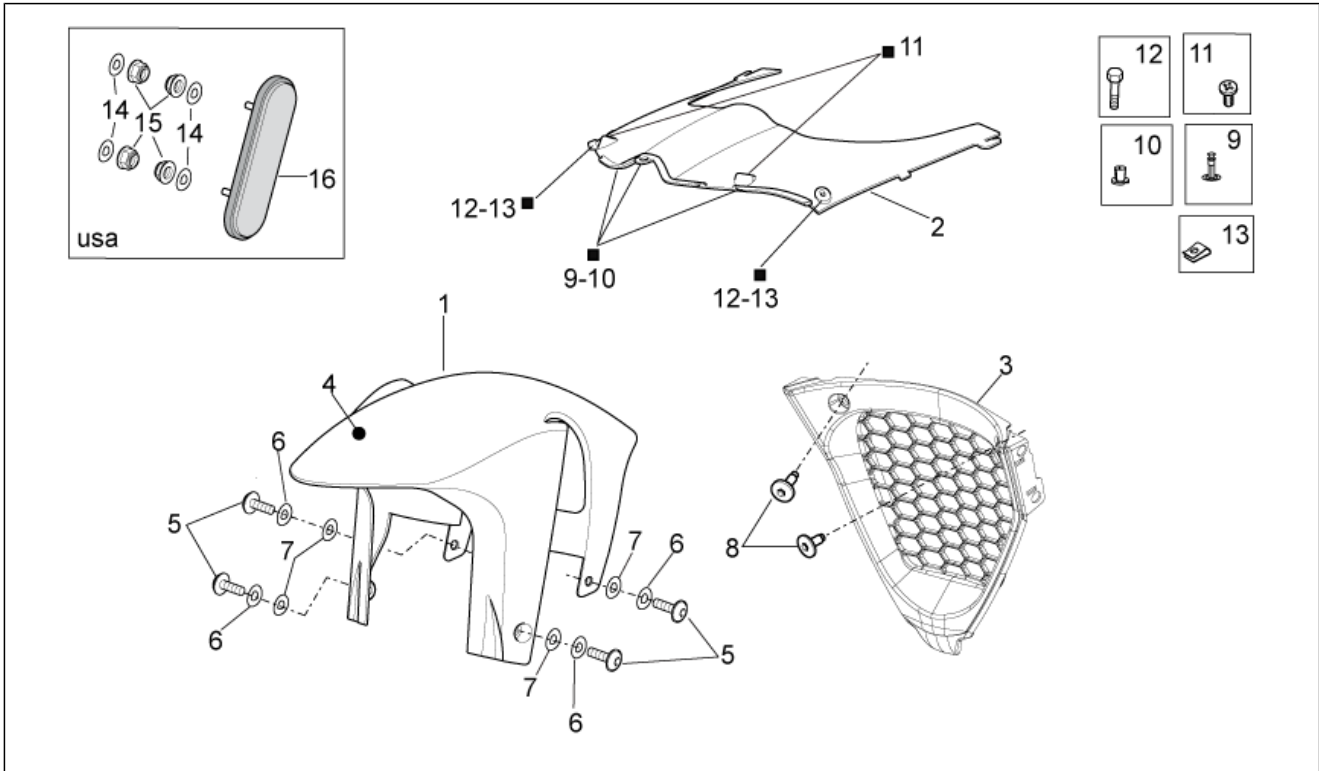
Pos.	Code	Description	Qty	Variants
1	858828	RH internal fairing	1	
2	858829	LH internal fairing	1	
3	89857500XN2	RH Pillar	1	Year: 2011[B] Technical specification: With decals applied[D], Factory MY 2011[STD]
3	89951800Z1	RH Pillar	1	Year: 2011[B] Technical specification: With decals applied[D], Special Edition Biaggi Limited[SE]
3	B04444200XN2	RH Pillar	1	Year: 2012[C] Vehicle colour: Black Flame[BF] Technical specification: With decals applied[D]
4	89857600XN2	LH Pillar	1	Year: 2011[B] Technical specification: With decals applied[D], Factory MY 2011[STD]
4	89951900Z1	LH Pillar	1	Year: 2011[B] Technical specification: With decals applied[D], Special Edition Biaggi Limited[SE]
4	B04444300XN2	LH Pillar	1	Year: 2012[C] Vehicle colour: Black Flame[BF] Technical specification: With decals applied[D]
5	89410700XN2	RH lat.fairing, black	1	Technical specification: Without decals applied[ND]
6	89736200XN2	LH lat.fairing, black	1	Technical specification: Without decals applied[ND]
7	893979	RH puller	1	
8	893980	LH puller	1	
9	AP8144616	Rivet, female	6	
10	AP8144563	Rivet, male	6	
11	AP8102375	Clip m5	6	
12	896175	Hex socket screw M5x12	6	
13	894196	RH heat protection	1	
14	894197	LH heat protection	1	
15	898543	RH lower fairing decal BOSCH	1	Vehicle colour: Black Flame[BF]

Group	FRAME
Code	28.10
Description	Front body II
Service	1



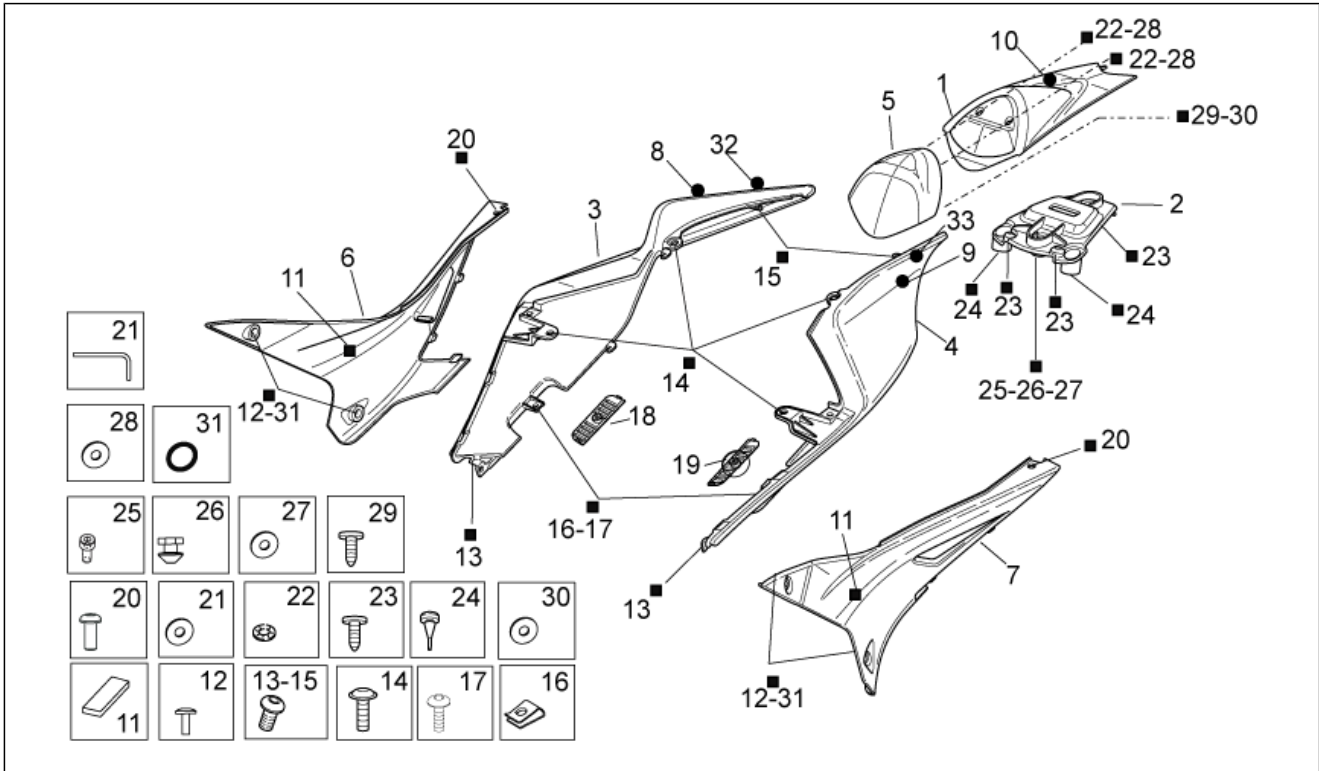
Pos.	Code	Description	Qty	Variants
				Technical specification: Factory MY 2011[STD]
15	899512	RH lower fairing decal Aprilia Alitalia	1	Technical specification: Special Edition Biaggi Limited[SE]
16	898542	LH Lower fairing decal BOSCH	1	Vehicle colour: Black Flame[BF] Technical specification: Factory MY 2011[STD]
16	899512	RH lower fairing decal Aprilia Alitalia	1	Technical specification: Special Edition Biaggi Limited[SE]
17	898540	RH lower fairing decal Aprilia Factory	1	Technical specification: Factory MY 2011[STD]
17	899514	RH lower fairing decal Aprilia Factory	1	Technical specification: Special Edition Biaggi Limited[SE]
18	898541	LH Lower fairing decal Aprilia Factory	1	Technical specification: Factory MY 2011[STD]
18	899515	LH Lower fairing decal Aprilia Factory	1	Technical specification: Special Edition Biaggi Limited[SE]
19	899510	Sticker RH SBK 10	1	
20	899511	Sticker LH SBK 10	1	
21	AP8120622	Front dust cover ring	7	
22	890964	Spacer	1	
23	AP8201755	Threaded rivet	2	
24	895909	RH clamp	1	
25	895910	LH clamp	1	
26	898536	RH fairing decal RSV4	1	Technical specification: Special Edition Biaggi Limited[SE], Factory MY 2011[STD]
26	B044435	RH fairing decal RSV4	1	Vehicle colour: Black Flame[BF]
27	898537	LH fairing decal RSV4	1	Technical specification: Special Edition Biaggi Limited[SE], Factory MY 2011[STD]
27	B044434	LH fairing decal RSV4	1	Vehicle colour: Black Flame[BF]
28	AP8120428	Cable-guide	1	
29	AP8120531	Rubber w/ insert	1	
30	895915	Hex socket screw	1	
31	B044797	Band decal DX	1	Vehicle colour: Black Flame[BF]
32	B044798	Band decal SX	1	Vehicle colour: Black Flame[BF]
33	B044436	RH lower fairing decal Aprilia Factory	1	Vehicle colour: Black Flame[BF]
34	B044437	LH Lower fairing decal Aprilia Factory	1	Vehicle colour: Black Flame[BF]

Group	FRAME
Code	28.11
Description	Front body III
Service	1



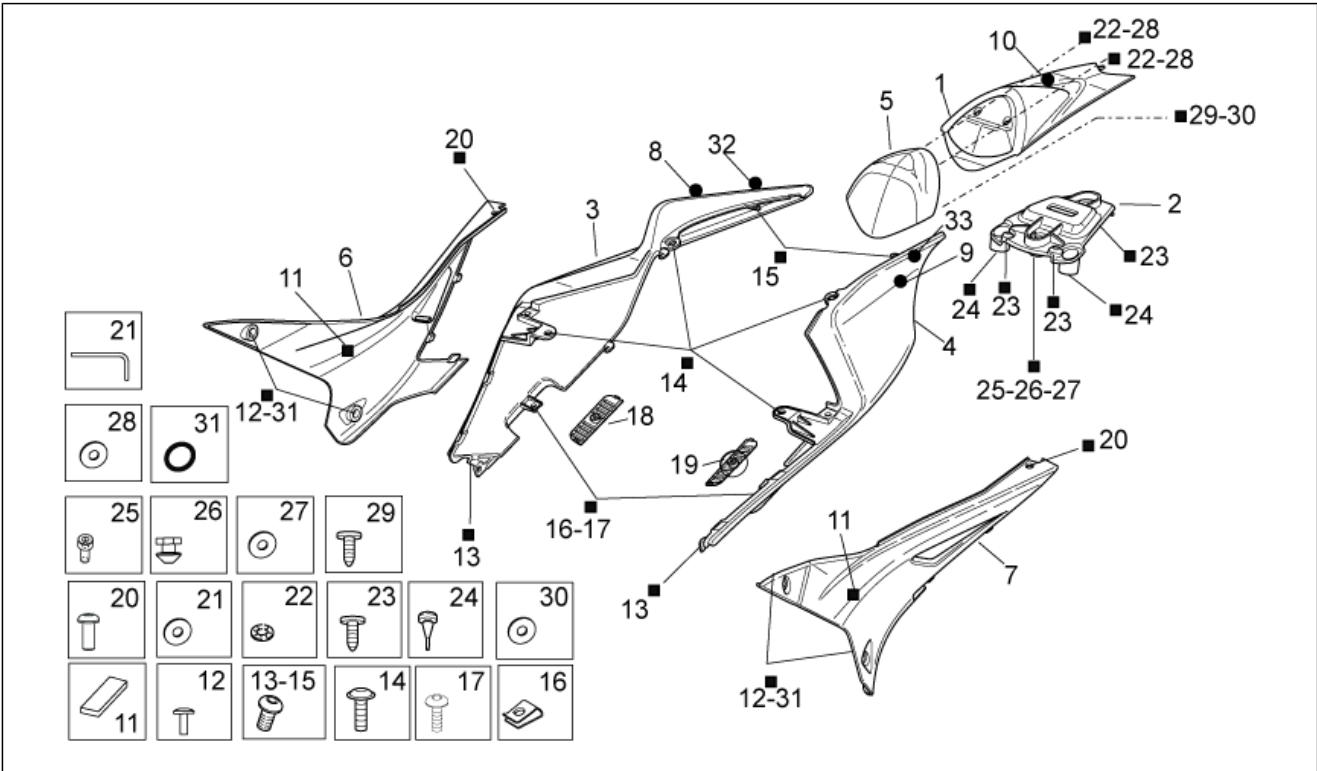
Pos.	Code	Description	Qty	Variants
1	890968	Front mudguard, carb.	1	Country: europe[EU], Japan[J]
1	894988	Front mudguard, carb.	1	Country: Canadian[CA], Russia[RU], United States of America[USA]
2	858830	Front fairing lower lockup	1	
3	858827	Pillar	1	
4	893796	Decal "aprilia racing"	1	
5	AP8152269	Hex socket screw	4	
6	AP8150272	Curved spring washer 5,3x10x0,5	4	
7	AP8150248	Washer 5,5x15x1,6	4	
8	AP8150500	Hex socket screw M5x9	2	
9	AP8144616	Rivet, female	5	
10	AP8144563	Rivet, male	5	
11	AP8150444	Self-tapping screw	2	
12	AP8150359	Screw	2	
13	AP8102381	Clip M4	2	
14	AP8150158	Washer 4,3X9X0,8	4	Country: Canadian[CA], Russia[RU], United States of America[USA]
15	AP8150204	Nut M4	4	Country: Canadian[CA], Russia[RU], United States of America[USA]
16	AP8124719	Reflector, amber	2	Country: Canadian[CA], Russia[RU], United States of America[USA]

Group	FRAME
Code	28.12
Description	Rear body I
Service	1



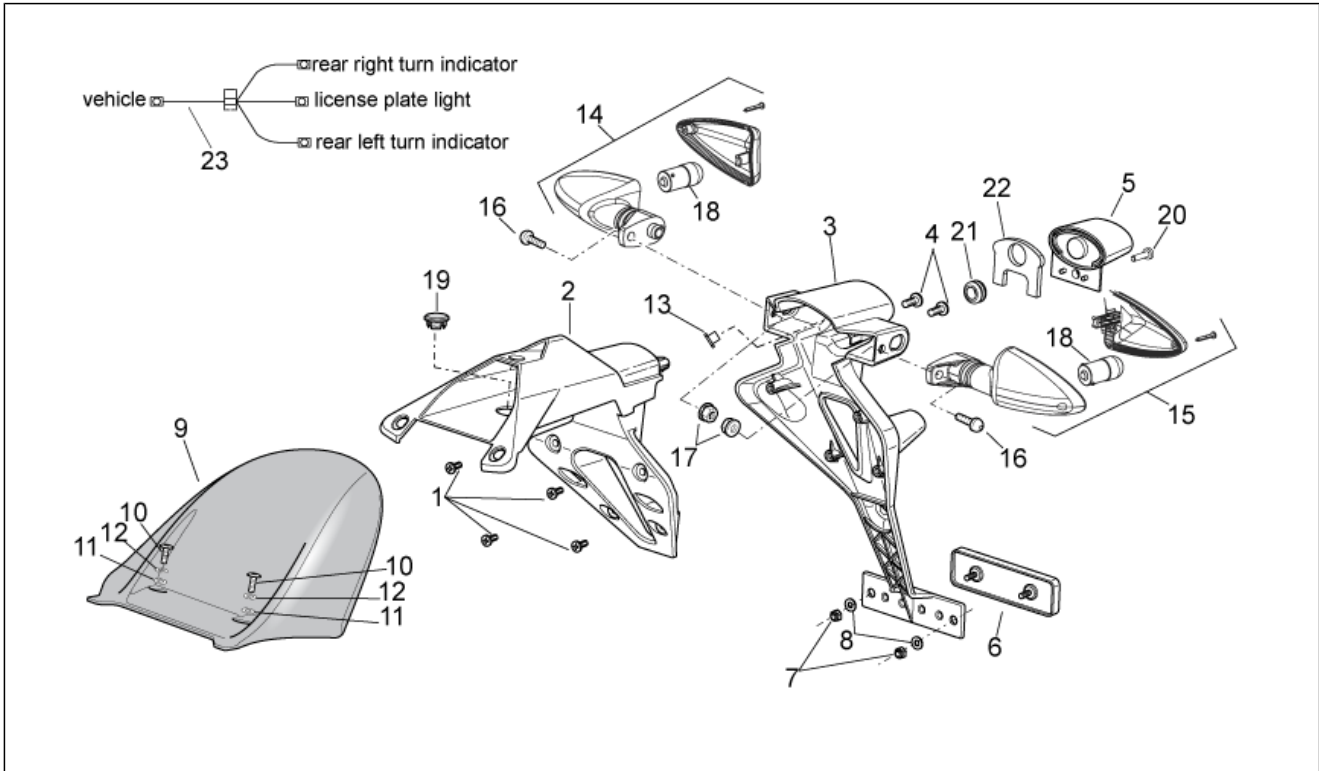
Pos.	Code	Description	Qty	Variants
1	85883700XN2	Saddle cover, black	1	Technical specification: Without decals applied[ND]
2	858838	Saddle cover base	1	
3	85883500XN2	RH rear fairing, black	1	Year: 2012[C] Vehicle colour: Black Flame[BF] Technical specification: Without decals applied[ND]
3	85883500XR4	RH rear fairing, red	1	Year: 2011[B] Vehicle colour: Shining Black[SB] Technical specification: Without decals applied[ND], Special Edition Biaggi Limited[SE]
4	85884700XN2	LH rear fairing, black	1	Year: 2012[C] Vehicle colour: Black Flame[BF] Technical specification: Without decals applied[ND]
4	85884700XR4	LH rear fairing, red	1	Year: 2011[B] Vehicle colour: Shining Black[SB] Technical specification: Without decals applied[ND], Special Edition Biaggi Limited[SE]
5	893112	Cushion	1	
6	890966	RH side panel, carb.	1	
7	890967	LH side panel, carb.	1	
8	898544	RH rear fairing decal RSV4	1	
8	B044799	RH rear fairing decal	1	Vehicle colour: Black Flame[BF]
9	898545	LH rear fairing decal RSV4	1	
9	B044800	LH rear fairing decal	1	Vehicle colour: Black Flame[BF]
10	898546	Saddle cover decal ITALIA	1	
11	AP8117004	Adhesive sponge 15x8	2	
12	896175	Hex socket screw M5x12	4	
13	AP8202058	Plastic rivet, black	2	
14	AP8152302	Screw w/ flange M5x12	4	
15	AP8150538	Hex socket screw M5x10	2	
16	AP8102381	Clip M4	2	
17	AP8121184	Screw M4x14	2	

Group	FRAME
Code	28.12
Description	Rear body I
Service	1



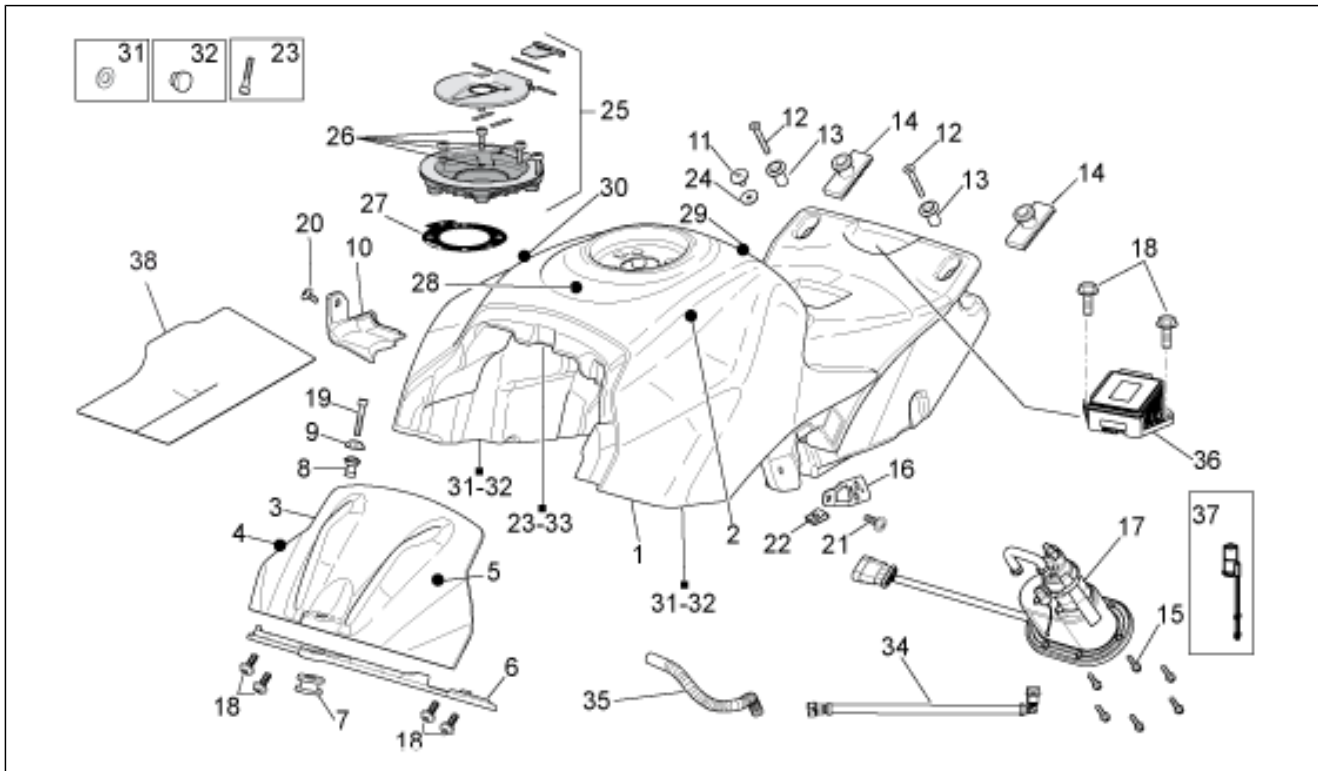
Pos.	Code	Description	Qty	Variants
18	893108	Net panel (r)	1	
19	893109	Net panel (l)	1	
20	896174	Hex socket screw M5x12	2	
21	894195	Hex key	1	
22	AP8150450	Washer for shafts D5	2	
23	AP8150413	Self-tap screw 3,9x14	3	
24	AP8220238	Rubber spacer	2	
25	AP8152043	Hex socket screw M4x10	1	
26	893259	Pin	1	
27	AP8150158	Washer 4,3X9X0,8	1	
28	AP8102504	Rubber spacer	2	
29	AP8150421	Self-tap screw 2,9x12	1	
30	AP8144565	Nylon washer	1	
31	AP8120622	Front dust cover ring	2	
32	899516	RH rear fairing decal "BIAGGI LIMITED"	1	
33	899517	LH rear fairing decal "BIAGGI LIMITED"	1	

Group	FRAME
Code	28.13
Description	Rear body II
Service	1



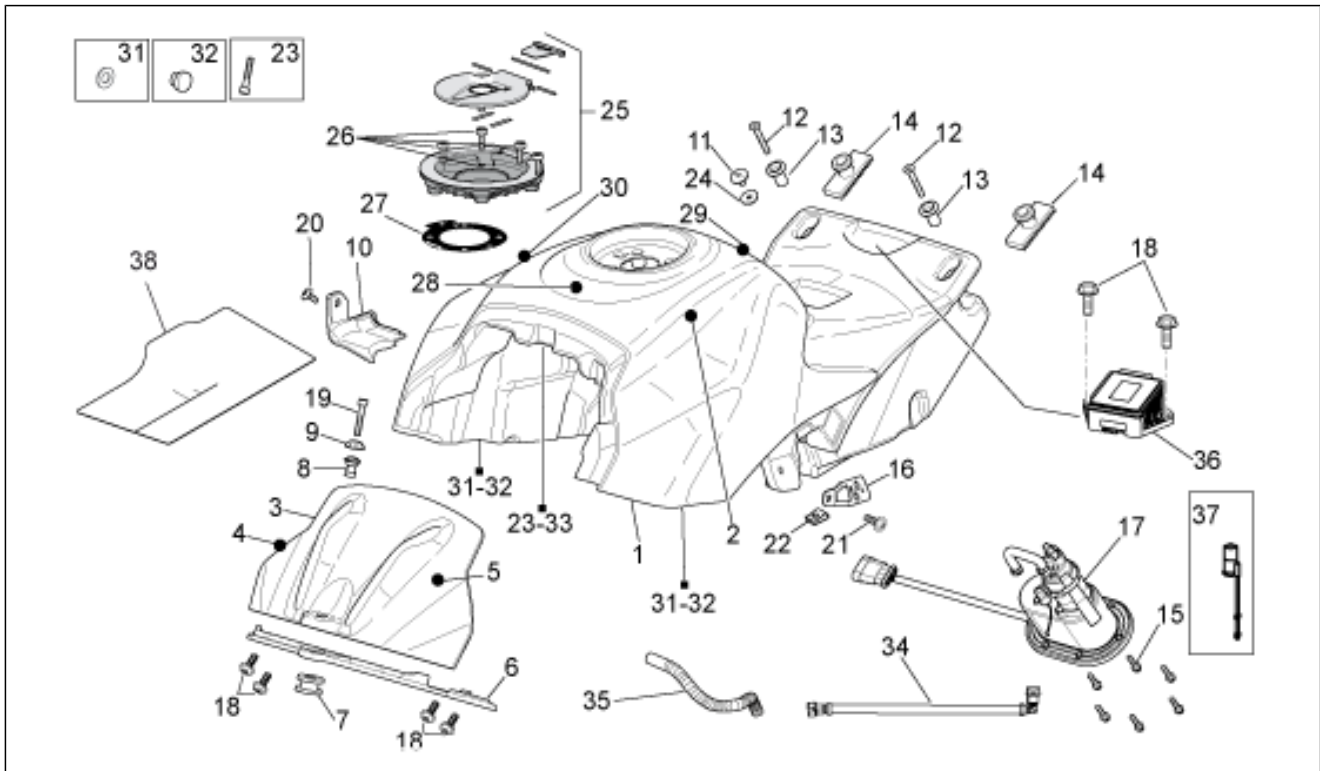
Pos.	Code	Description	Qty	Variants
1	AP8150413	Self-tap screw 3,9x14	4	
2	858840	Upper Number plate holder	1	
3	897482	Number plate holder	1	
4	AP8152329	Phillips screw, SWP M5x20	3	
5	AP8127098	Number-plate light	1	
6	AP8112916	Rear reflector	1	
7	AP8150204	Nut M4	2	
8	AP8150158	Washer 4,3X9X0,8	2	
9	890969	Rear mudguard, carb.	1	
10	AP8152137	Hex socket screw M6x20	2	
11	AP8150179	Washer 6,6x18*	2	
12	AP8150182	Curved spring washer *	2	
13	894566	T bush	1	
14	894943	Rear RH turn indicator	1	Country:Canadian[CA], United States of America[USA]
14	894945	Right rear turn indicator	1	Country:Australia[AU], europe[EU], Japan[J], Russia[RU]
15	894944	Rear LH turn indicator	1	Country:Canadian[CA], United States of America[USA]
15	894946	Left rear turn indicator	1	Country:Australia[AU], europe[EU], Japan[J], Russia[RU]
16	AP8152108	Hex socket screw	2	
17	AP8152299	Self-locking nut M6	2	
18	181746	Lamp 12V-10W	2	Country:Canadian[CA], United States of America[USA]
18	AP8127489	Lamp RY10W 12V	2	
19	894657	Cover	1	
20	AP8150522	Screw 4,2x16	1	
21	AP8112600	Rubber spacer	1	
22	AP8117258	Vibration-damping rubber	1	
23	858868	Taillight wiring harn.	1	

Group	FRAME
Code	28.14
Description	Fuel tank
Service	1



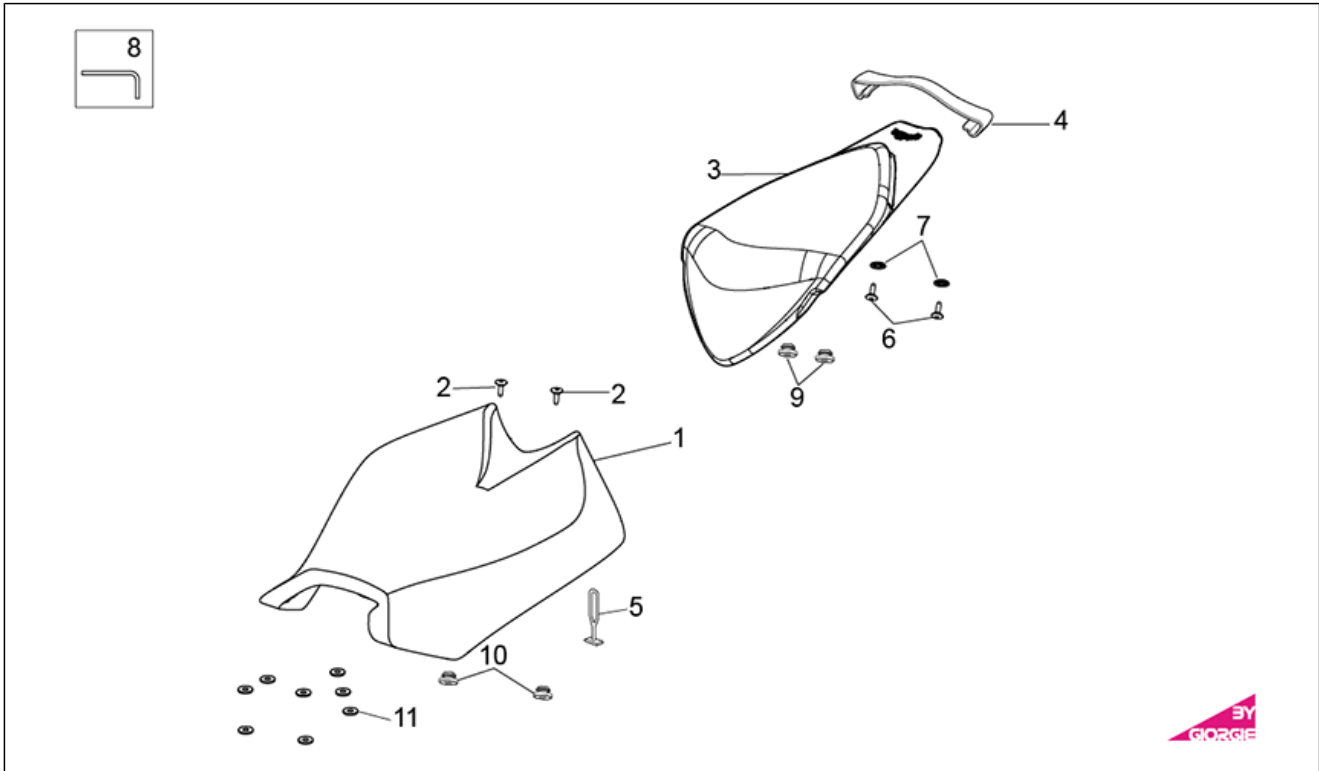
Pos.	Code	Description	Qty	Variants
1	89856800XN2	Complete black painted fuel tank	1	Country: Australia[AU], europe[EU], Japan[J] Technical specification: With decals applied[D], Special Edition Biaggi Limited[SE], Factory MY 2011[STD]
1	89856900XN2	Complete black painted fuel tank USA-CDN	1	Year: 2011[B] Country: Canadian[CA], United States of America[USA] Technical specification: With decals applied[D]
1	B04443800XN2	Complete black painted fuel tank	1	Year: 2012[C] Vehicle colour: Black Flame[BF] Country: europe[EU], Russia[RU] Technical specification: With decals applied[D]
1	B04443900XN2	Complete black painted fuel tank	1	Year: 2012[C] Vehicle colour: Black Flame[BF] Country: Canadian[CA], United States of America[USA] Technical specification: With decals applied[D]
2	894080	Fuel tank decal "aprilia"	1	
3	89858800XR4	Fuel tank cover, red	1	Technical specification: With decals applied[D]
4	898586	Front RH decal triangle	1	
5	898587	Front LH decal triangle	1	
6	858885	Front support	1	
7	AP8144713	Rubber spacer	1	
8	858887	T bush	1	
9	AP8150536	Special washer	1	
10	893107	Bracket	1	
11	AP8161127	Fixing pin	1	
12	576836	screw	2	
13	893273	Spacer	2	
14	AP8120663	Rubber spacer *	2	
15	AP8152273	Screw w/ flange M5X15	6	
16	858886	LH support	1	
17	858726	Fuel pump cpl.	1	Country: Australia[AU], Canadian[CA], Japan[J], United States of America[USA]

Group	FRAME
Code	28.14
Description	Fuel tank
Service	1



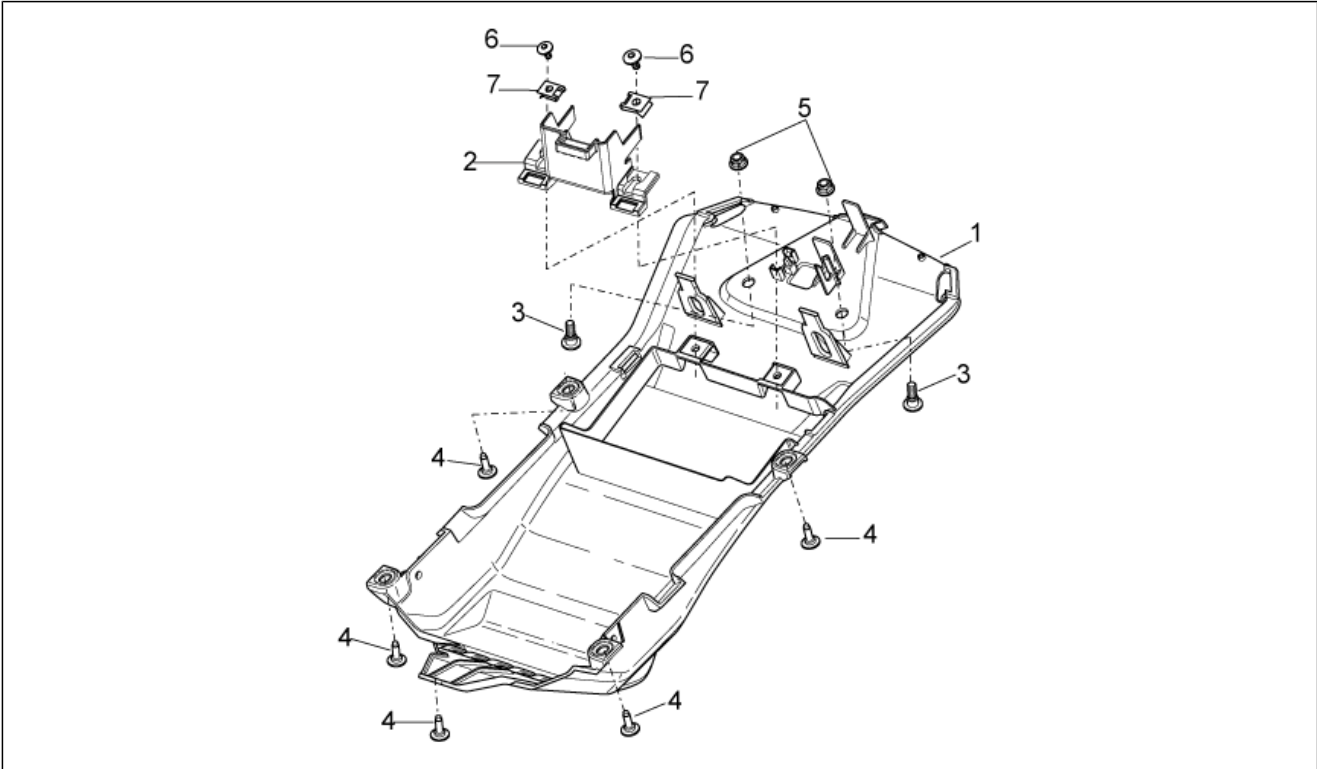
Pos.	Code	Description	Qty	Variants
17	B043925	Fuel pump cpl.	1	Country:europa[EU], Russia[RU]
18	AP8152246	Screw w/ flange M6x16	6	
19	AP8150285	Hex socket screw M6x35	1	
20	AP8152339	Screw w/ flange M5x9	1	
21	AP8150538	Hex socket screw M5x10	1	
22	AP8102375	Clip m5	1	
23	AP8150505	Hex socket screw m4x6 inox	1	
24	AP8150255	Washer 5x20x1,5	1	
25	B043929	Fuel filler cap and lock	1	
26	B043864	Hex socket screw M5x14	4	
27	AP8104803	Fuel filler cap gasket	1	
28	899548	Fuel tank decal	1	
28	B044814	Fuel tank decal "40 World champions"	1	Year:2012[C] Vehicle colour:Black Flame[BF]
29	898532	Tank guard decal	1	Year:2011[B] Technical specification:Special Edition Biaggi Limited[SE], Factory MY 2011[STD]
29	B044433	Tank guard decal	1	Year:2012[C] Vehicle colour:Black Flame[BF]
30	893758	Right tank decal "aprilia"	1	
31	AP8220366	Rubber spacer	2	
32	AP8144158	Rubber spacer	2	
33	AP8144565	Nylon washer	1	
34	858884	Fuel pipe	1	
35	895959	Breather pipe	2	
36	894604	Inclination sensor	1	
37	899068	Fuel level sensor	1	
38	894198	Heat protection	1	

Group	FRAME
Code	28.15
Description	Saddle
Service	1



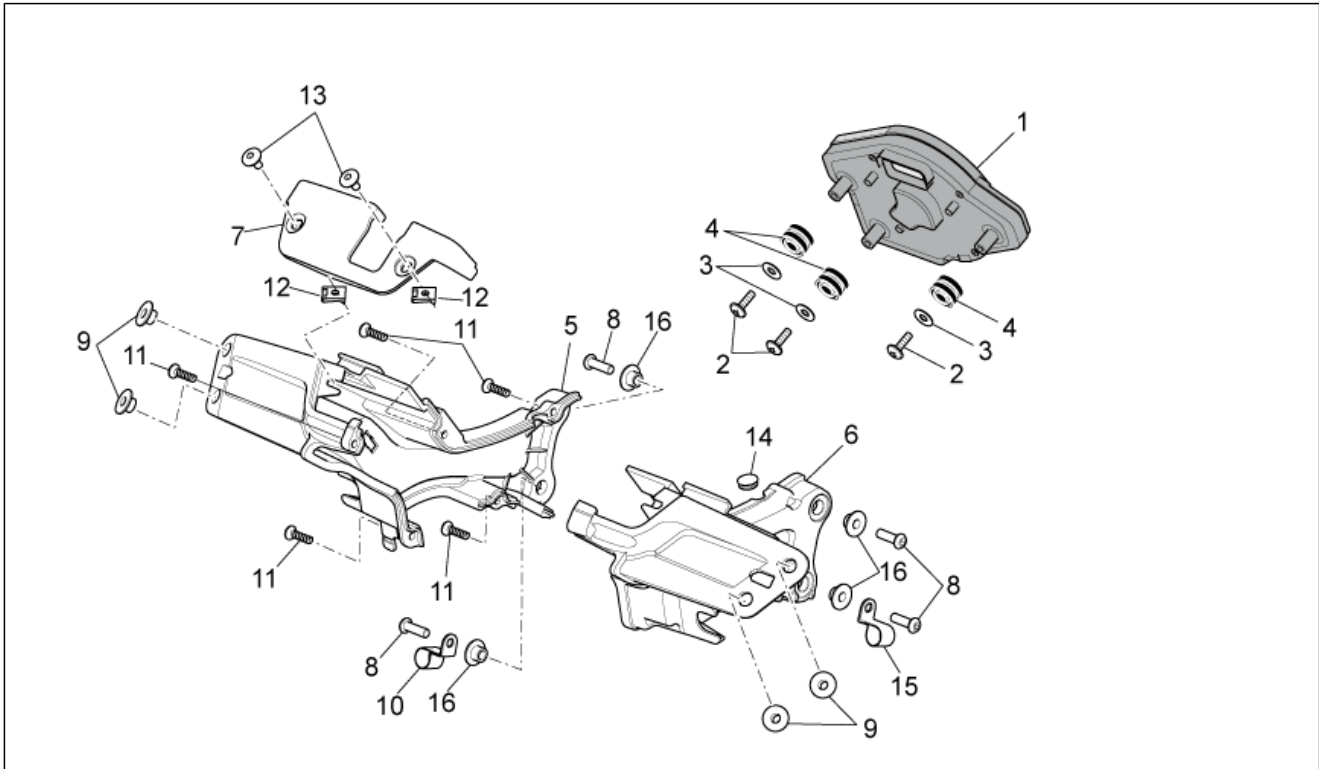
Pos.	Code	Description	Qty	Variants
1	85883200A1	Driver saddle	1	Year:2011[B] Technical specification:Special Edition Biaggi Limited[SE], Factory MY 2011[STD]
1	85883200A2	Driver saddle	1	Year:2012[C] Vehicle colour:Black Flame[BF]
2	AP8152302	Screw w/ flange M5x12	2	
3	89382400A1	Rear saddle	1	
4	85884400A1	Belt	1	
5	AP8120177	Headlight supp.snap	1	
6	269783	screw	2	
7	AP8150020	Washer 10,5x21x2*	2	
8	894195	Hex key	1	
9	B043933	Pad	2	
10	B043941	Pad	2	
11	B043933	Pad	8	

Group	FRAME
Code	28.16
Description	Undersaddle
Service	1



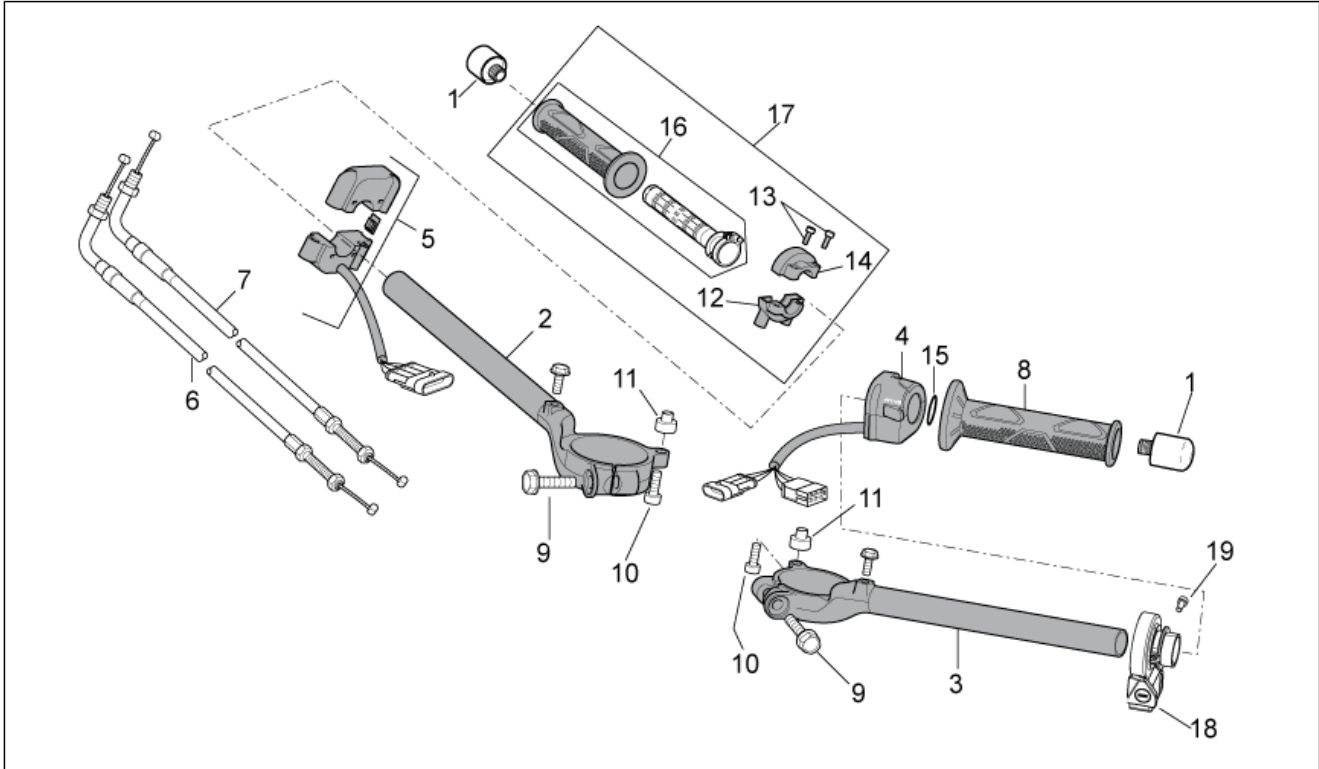
Pos.	Code	Description	Qty	Variants
1	858836	Saddle supp.lower lockup	1	
2	893751	Bracket	1	
2	898252	Battery bracket	1	
3	575249	Screw with shank M6	2	
4	AP8152302	Screw w/ flange M5x12	4	
5	AP8152299	Self-locking nut M6	2	
6	AP8152298	Screw w/ flange M5x16	2	

Group	FRAME
Code	28.17
Description	Dashboard
Service	1



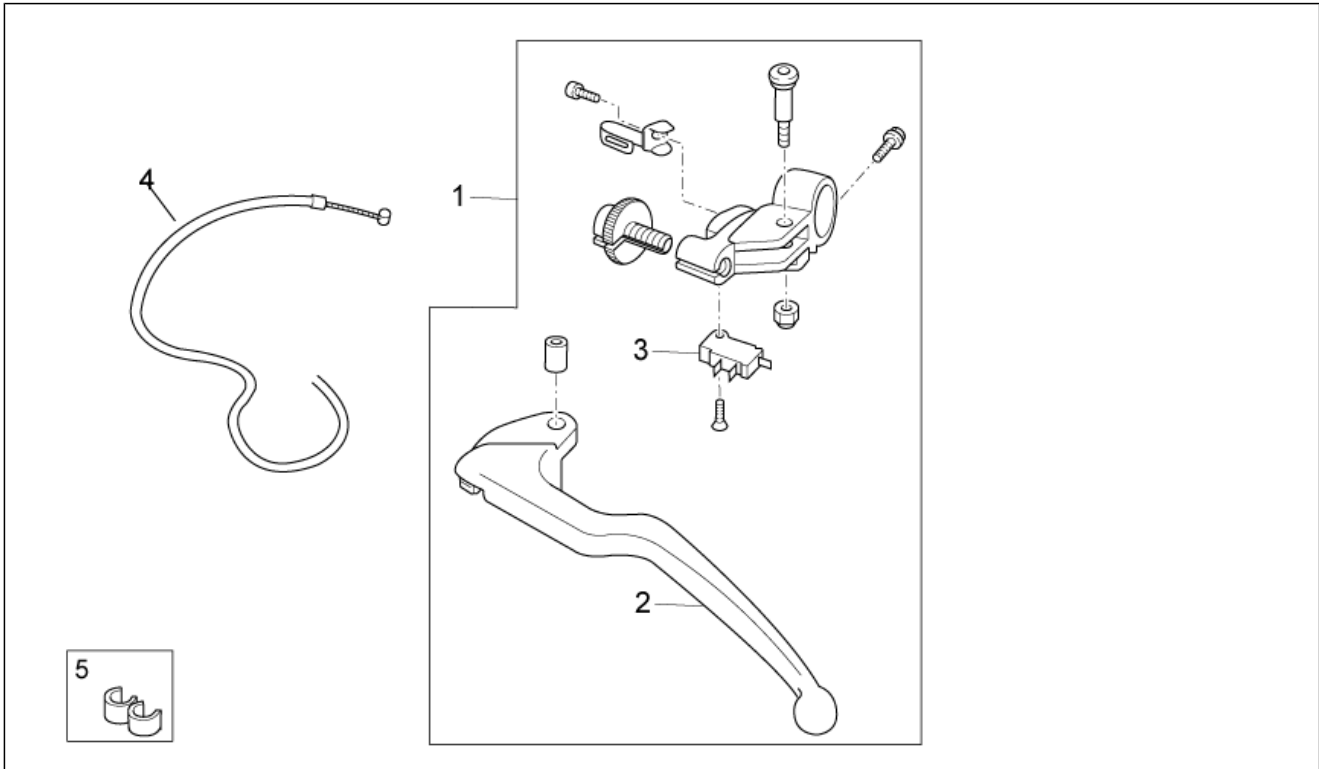
Pos.	Code	Description	Qty	Variants
1	896372	Dashboard	1	
2	AP8150509	Self-tap screw 5x14	3	
3	AP8150255	Washer 5x20x1,5	3	
4	AP8220150	Rubber spacer	3	
5	890785	RH support	1	
6	890786	LH support	1	
7	890787	Cover	1	
8	AP8224470	Hex socket screw M6x20	4	
9	AP8221145	T bush *	4	
10	845978	Hose clamp	1	
11	AP8152329	Phillips screw, SWP M5x20	5	
12	AP8102375	Clip m5	2	
13	AP8150500	Hex socket screw M5x9	2	
14	197551	Cover	1	
15	898126	Hose clamp	1	
16	AP8121728	T bush *	4	

Group	FRAME
Code	28.18
Description	Handlebar - Controls
Service	1



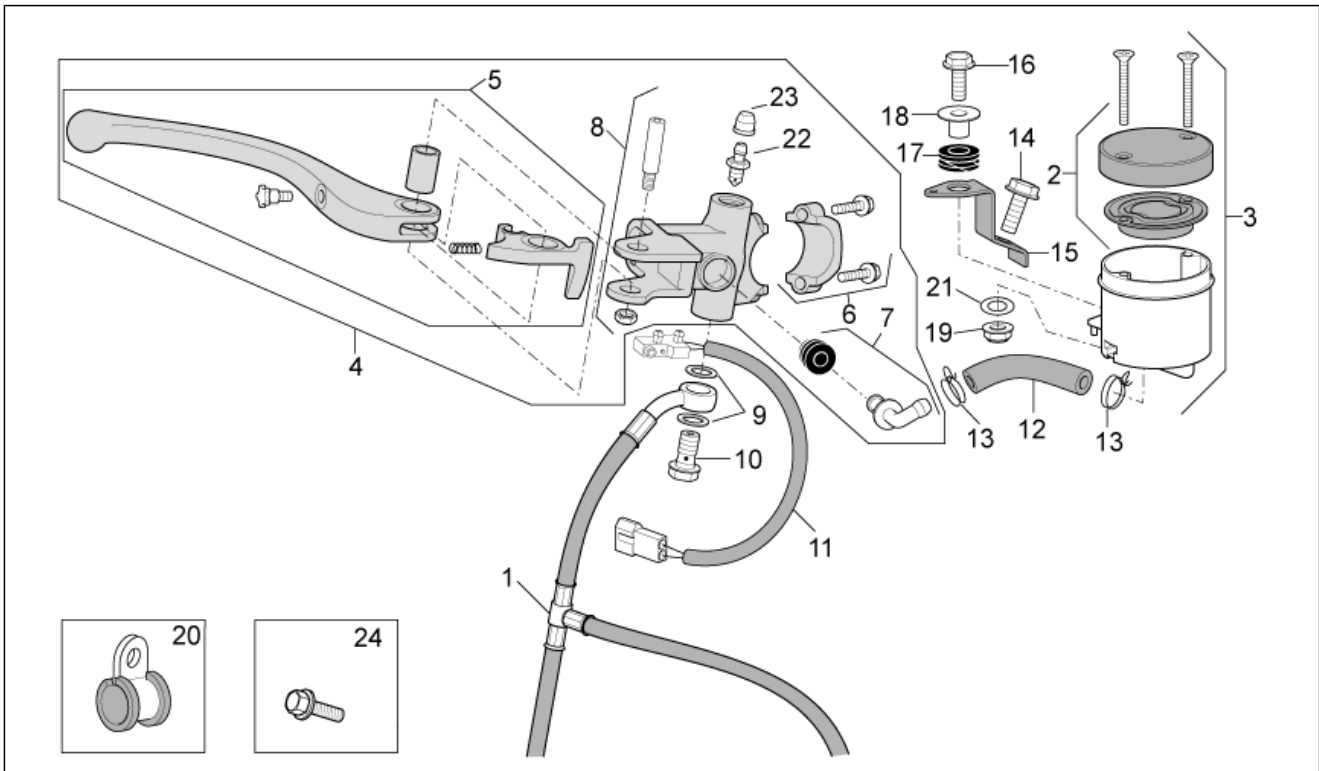
Pos.	Code	Description	Qty	Variants
1	893757	H.bars anti.v weight	2	
2	AP8118649	Right half handlebar d.51,1	1	
3	896759	Left half handlebar	1	
4	858721	LH lights selector	1	
5	B045021	RH lights selector	1	
6	896859	Gas trasmission delivery	1	
7	896860	Gas trasmission return	1	
8	856027	LH hand grip	1	
9	AP8150543	Screw M8x35	2	
10	AP8150137	Hex socket screw	2	
11	AP8221043	Spacer bush *	2	
12	AP8118502	Front gas lever U-bolt	1	
13	AP8150050	Hex socket screw M5x16	2	
14	AP8118503	Rear gas lever U-bolt	1	
15	AP8120190	O-ring 3075	1	
16	GU01603480	RH hand grip	1	
17	GU05603331	Throttle cpl.	1	
18	852398	Gearbox selector control	1	
19	AP8152043	Hex socket screw M4x10	1	

Group	FRAME
Code	28.19
Description	Clutch lever
Service	1



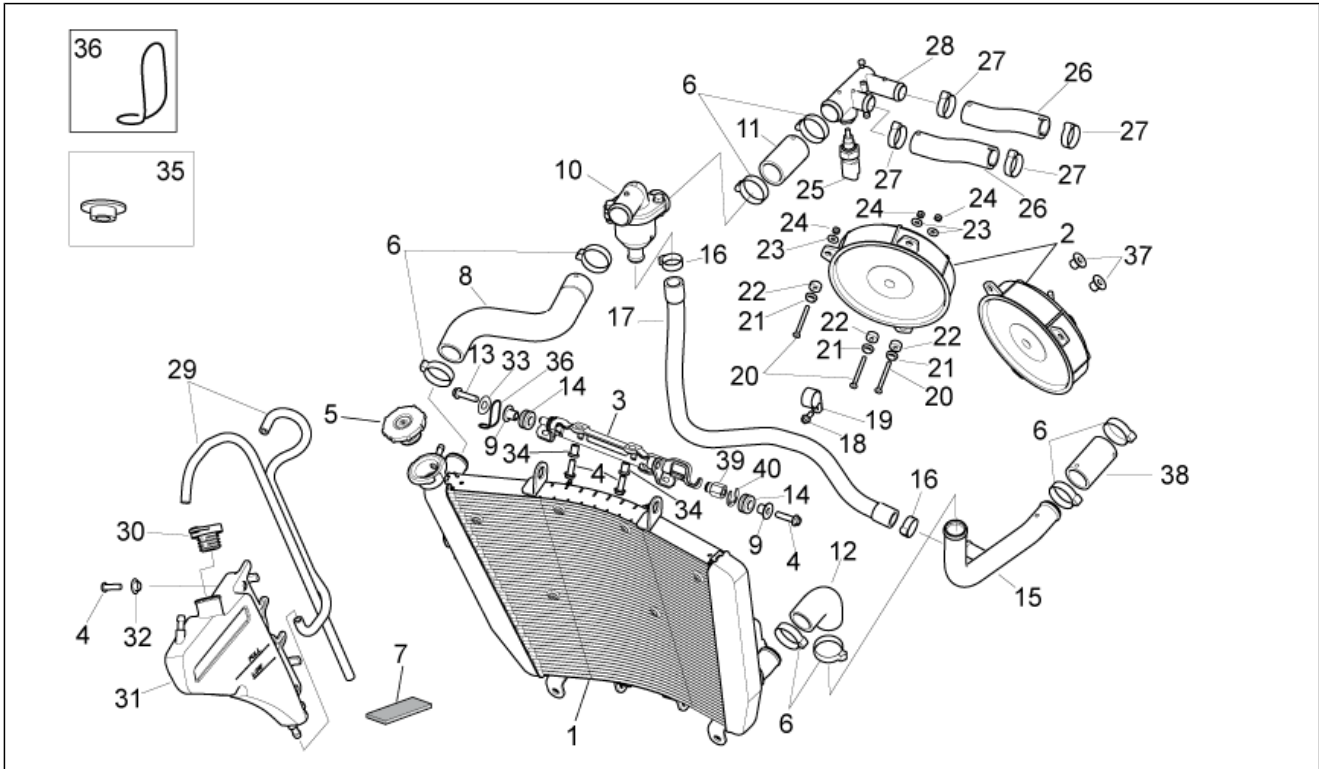
Pos.	Code	Description	Qty	Variants
1	890923	Clutch lever cpl.	1	
2	893926	Clutch lever	1	
3	893927	Switch	1	
4	890982	Clutch cable	1	
5	AP9100519	Spring	1	

Group	FRAME
Code	28.20
Description	Front master cilinder
Service	1



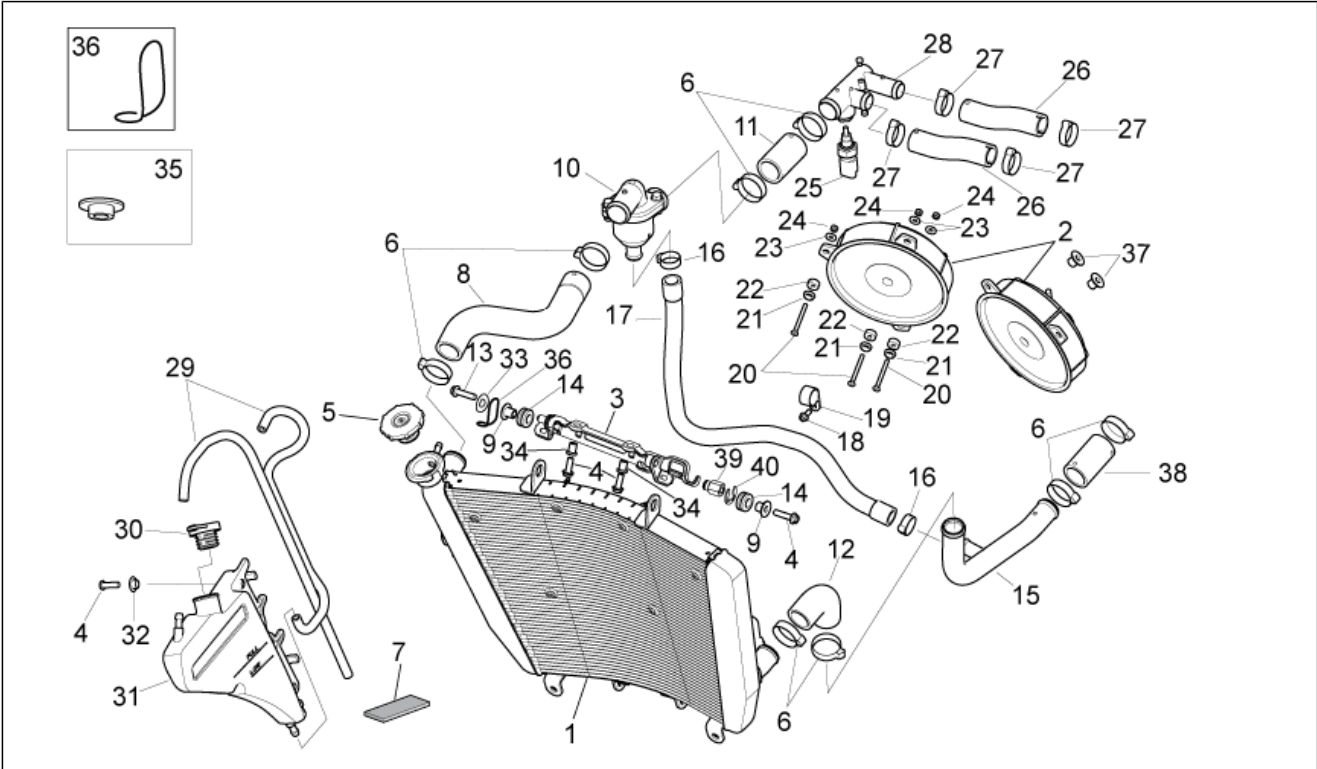
Pos.	Code	Description	Qty	Variants
1	858898	Front brake hose	1	
2	AP8113598	Pil brake tank plug	1	
3	AP8113499	Brake oil tank	1	
4	890791	Front master cilinder	1	
5	AP8133664	Front brake lever	1	
6	893937	U-bolt	1	
7	AP8213057	Rear brake pump union	1	
8	AP8133666	Lever pin	1	
9	AP8113004	Washer 10x14x1,6*	2	
10	852702	Oil pipe screw	1	
11	AP8127432	Stop switch	1	
12	890509	Rubber pipe	1	
13	AP8101595	Hose clamp D10,1	2	
14	AP8150340	Hex socket screw	1	
15	AP8134383	Oil tank plate	1	
16	AP8152137	Hex socket screw M6x20	1	
17	AP8120030	Rubber spacer	1	
18	AP8221023	T bush	1	
19	AP8150474	Stainless cap nut M6	1	
20	AP8134167	Brake hose hanger	1	
21	AP8150429	Spring washer 6,4x11x0,5*	1	
22	AP8133502	Air bleed valve	1	
23	AP8113230	Bleed valve cap	1	
24	AP8152273	Screw w/ flange M5X15	1	

Group	FRAME
Code	28.21
Description	Cooling system
Service	1



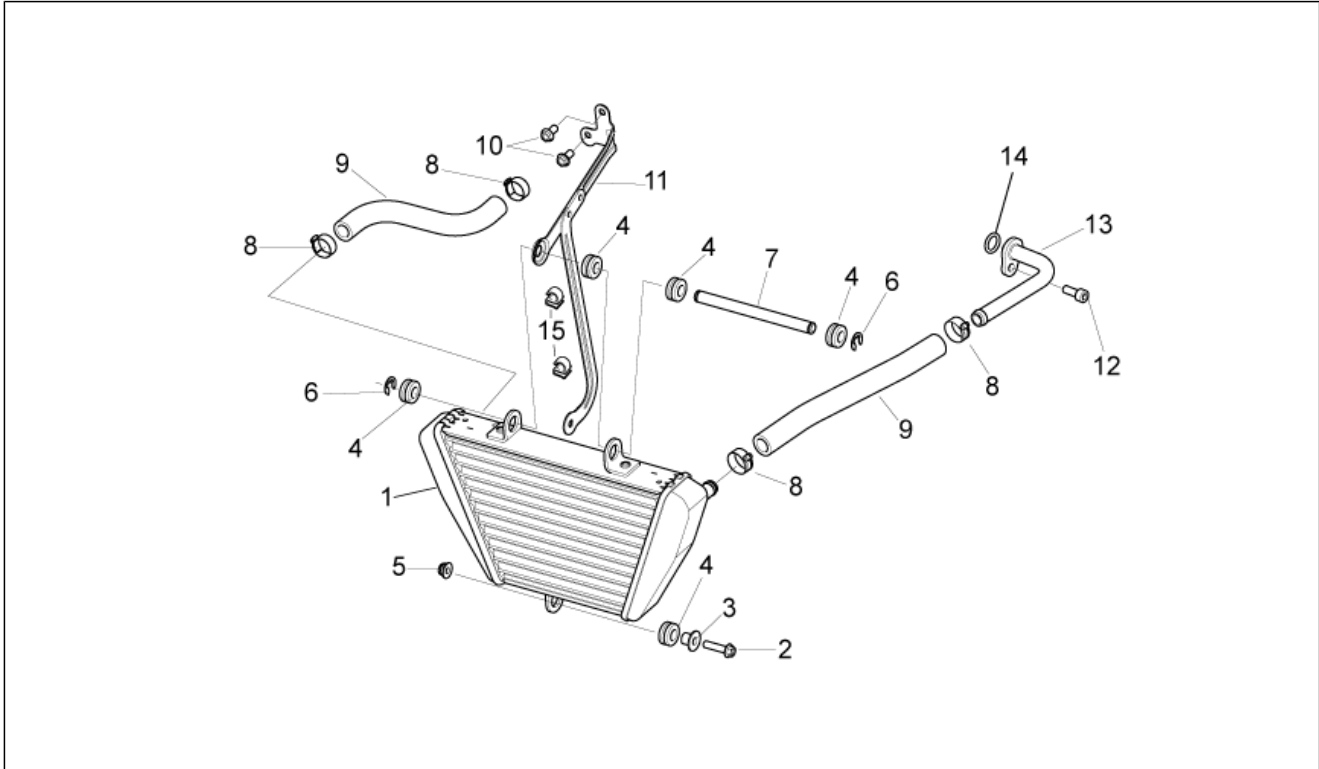
Pos.	Code	Description	Qty	Variants
1	897858	***Water cooler	1	
2	622055	Fan, cpl.	2	
3	897775	Water cooler upper support	1	
4	AP8152279	Screw w/ flange M6x20	4	
5	893954	Cover	1	
6	890931	Hose clamp	10	
7	AP8117033	Adhesive sponge	2	
8	858476	Thermostat-cooler pipe	1	
9	AP8221023	T bush	2	
10	856279	Thermostat valve set 75°C	1	
11	858477	Hose	1	
12	AP8144033	Thermostat-pump pipe	1	
13	AP8150444	Self-tapping screw	1	
14	AP8120030	Rubber spacer	2	
15	858488	Cooler-pump pipe	1	
16	AP8102273	Hose clip	2	
17	858478	Thermostat-engine pipe	1	
18	AP8152272	Screw w/ flange M5x12	1	
19	893224	Hose clamp	1	
20	893514	Screw	6	
21	893823	Washer d4,5	6	
22	893513	Spacer	6	
23	AP8150011	Washer 4,3x12x1	6	
24	AP8150204	Nut M4	6	
25	640485	Temperature gauge	1	
26	858475	Engine-manifold pipe	2	
27	AP9100456	Hose clip 26x8	4	
28	856543	Manifold	1	

Group	FRAME
Code	28.21
Description	Cooling system
Service	1



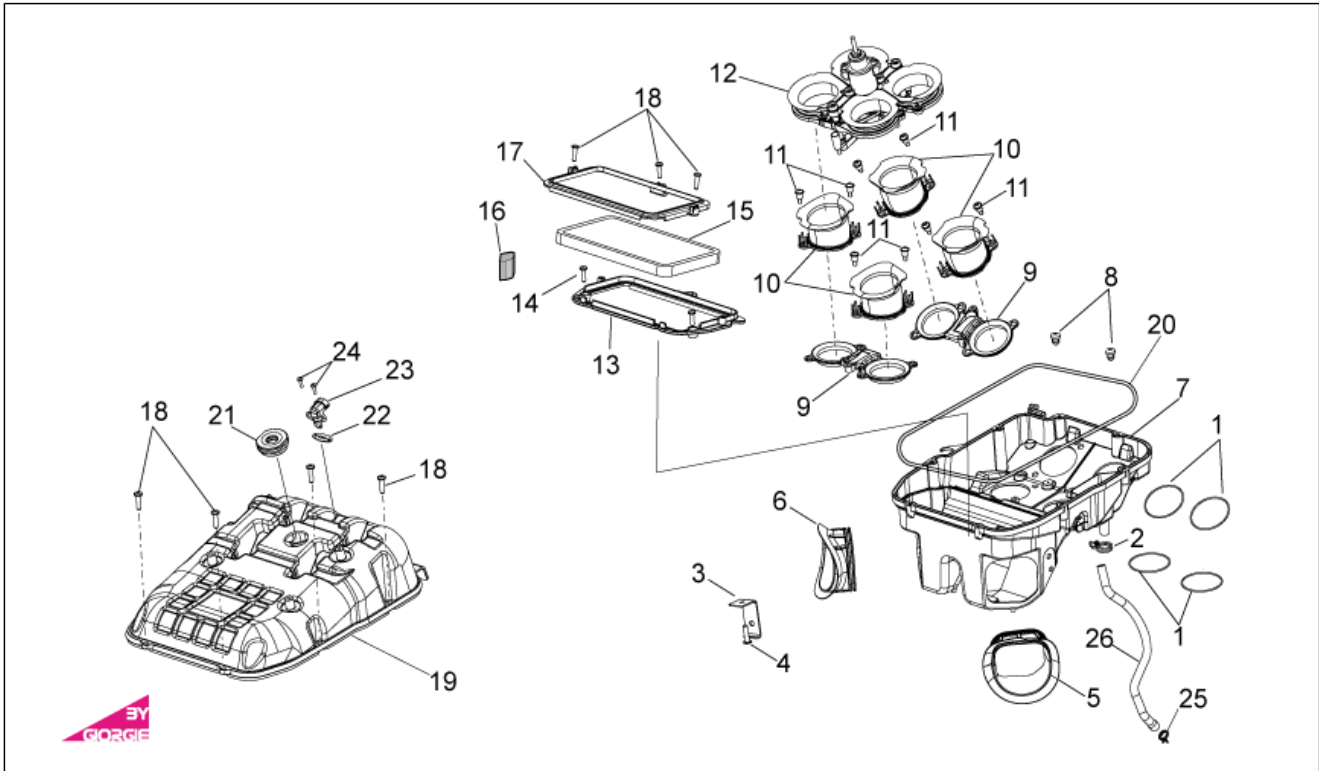
Pos.	Code	Description	Qty	Variants
29	AP8120952	Fuel pipe 5,5x10	1	
30	AP8104836	Expansion tank plug	1	
31	858908	Expansion tank	1	
32	AP8221145	T bush *	1	
33	AP8150158	Washer 4,3X9X0,8	1	
34	AP8121728	T bush *	2	
35	AP8121991	Bush	1	
36	AP8221150	Cable-guide	1	
37	895450	Bush	2	
38	AP8144720	Hose	1	
39	898047	Threaded insert M6x16	1	
40	AP8120573	Stop ring	1	

Group	FRAME
Code	28.22
Description	Oil radiator
Service	1



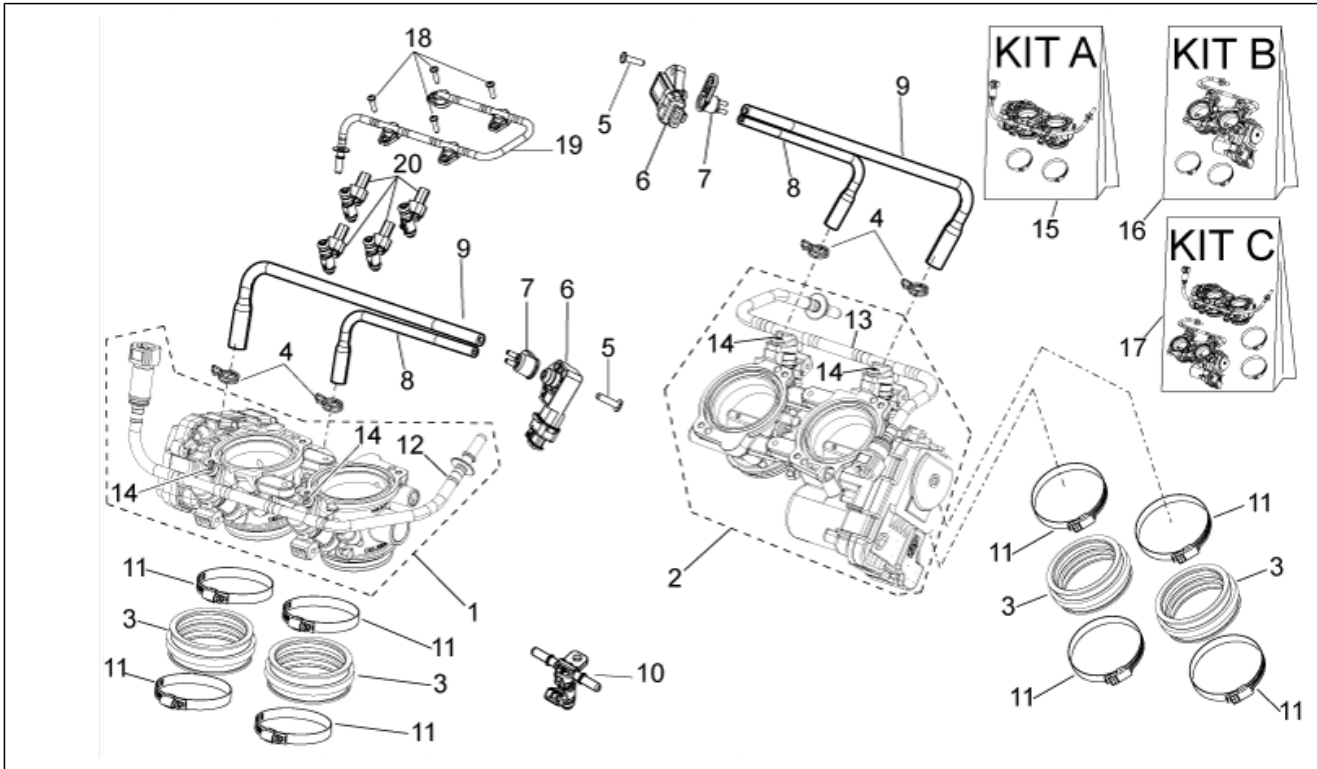
Pos.	Code	Description	Qty	Variants
1	858790	Oil cooler	1	
2	AP8152280	Screw w/ flange M6x25	1	
3	AP8221023	T bush	1	
4	AP8120030	Rubber spacer	5	
5	AP8152299	Self-locking nut M6	1	
6	AP8121428	Circlip d8	2	
7	858927	Spacer	1	
8	AP8102349	White hose clip D17,5x8	4	
9	AP8106389	Oil pipe 12x19	2	
10	AP8152277	Screw w/ flange M6x12	2	
11	858732	Water cooler support	1	
12	AP8150137	Hex socket screw	1	
13	858489	Pipe	1	
14	AP8144008	O-ring 115	1	
15	AP8201727	Black cable guide	2	

Group	FRAME
Code	28.23
Description	Air box
Service	1



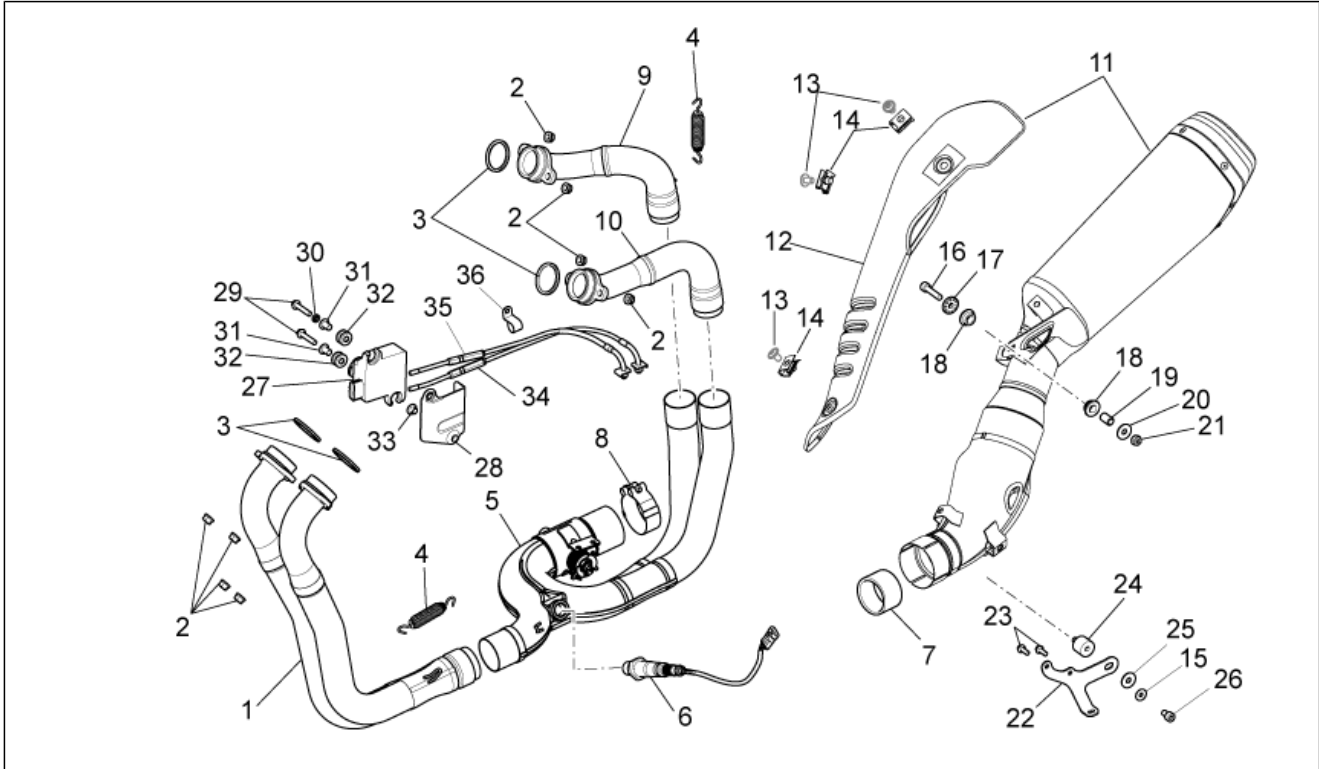
Pos.	Code	Description	Qty	Variants
1	893240	O-ring 56,82X2,62	4	
2	CM002912	Hose clamp	1	
3	890938	Bracket	1	
4	AP8152329	Phillips screw, SWP M5x20	1	
5	858880	LH Hose	1	
6	858932	RH Hose	1	
7	858876	Filter housing base	1	
8	AP8144087	Rubber spacer	2	
9	893915	Maintenance	2	
10	893916	Intake opening	4	
11	893132	screw	8	
12	893887	Mobile system trumpets	1	
13	858877	Maintenance	1	
14	AP8152329	Phillips screw, SWP M5x20	2	
15	858930	Air filter	1	
16	894015	Filter blow-by	1	
17	858878	Frame	1	
18	AP8152329	Phillips screw, SWP M5x20	15	
19	858875	Filter housing cover	1	
20	858881	Gasket	1	
21	893752	Rubber spacer	1	
22	GU30027931	Gasket	1	
23	GU30729330	Air temp. Sensor	1	
24	AP8150421	Self-tap screw 2,9x12	1	
25	CM001927	Hose clamp	1	
26	858808	pipe blow-by	1	

Group	FRAME
Code	28.24
Description	Throttle body
Service	1



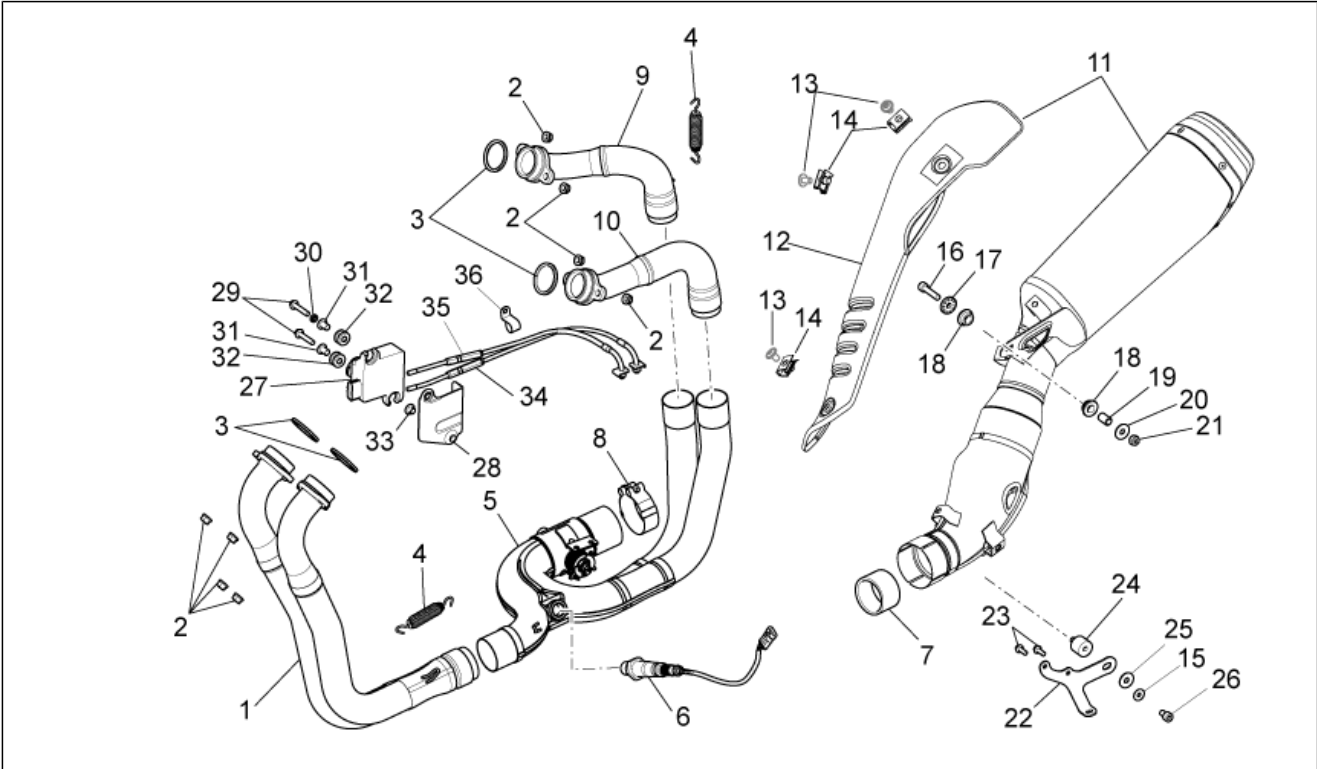
Pos.	Code	Description	Qty	Variants
1	857303	Front Throttle body	1	
2	857304	Rear Throttle body	1	
3	857305	Union	4	
4	CM002903	Hose clamp	4	
5	AP8152329	Phillips screw, SWP M5x20	2	
6	638562	Air pressure sensor	2	
7	894658	Joint	2	
8	858874	pipe	2	
9	858873	pipe	2	
10	893934	Injector	4	
11	857306	Hose clamp	8	
12	896565	Fuel pipe, cpl. ant.	1	
13	896566	Fuel pipe, cpl. post.	1	
14	896567	Sec. screw	4	
15	896573	Throttle body KIT ant.	1	
16	896574	Throttle body KIT post.	1	
17	896575	Throttle body KIT ant. + post.	1	
18	AP8152329	Phillips screw, SWP M5x20	4	
19	858807	Upper fuel rail	1	
20	890769	Injector	4	

Group	FRAME
Code	28.25
Description	Exhaust pipe I
Service	1



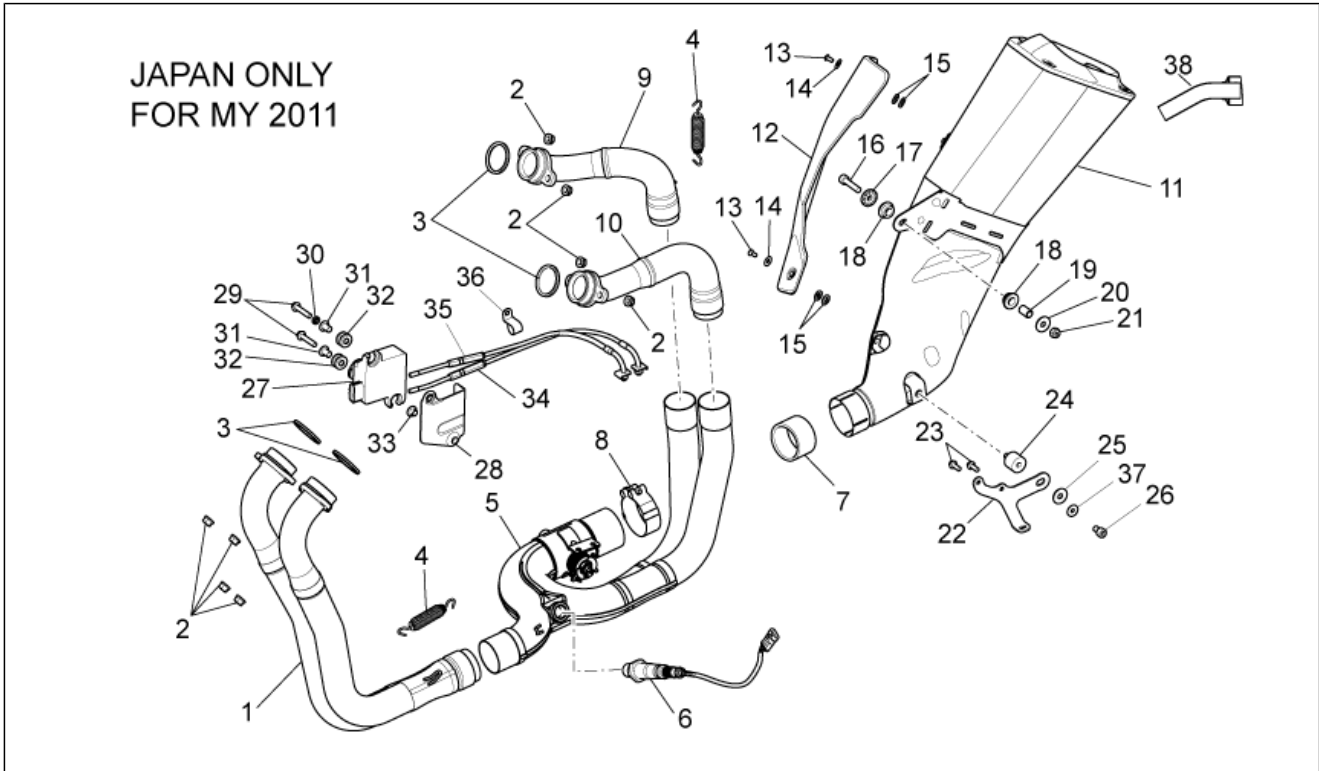
Pos.	Code	Description	Qty	Variants
1	858738	Front. Exhaust pipe	1	
2	436947	Nut	8	
3	852090	Exhaust pipe gasket	4	
4	AP8121170	Spring	3	
5	8587414	Central exhaust manifold	1	
6	584344	Lambda sensor I. 325 mm	1	
7	GU05128230	Gasket	1	
8	851586	LH manifold pipe	1	
9	858739	RH rear exhaust pipe	1	
10	858740	LH rear exhaust pipe	1	
11	897113	Silencer	1	Year:2011[B], 2012[C] Country:Australia[AU], Canadian[CA], europe[EU], Russia[RU], United States of America[USA]
11	B043283	Silencer	1	Year:2012[C] Country:Japan[J]
12	898383	Exhaust pipe heat prot.	1	
13	898385	Torx Screw M6x10	3	
14	254485	Spring plate M6	3	
15	AP8150376	Washer 8,5x15x0,8	1	
16	AP8150236	Hex socket screw M8x35	1	
17	AP8121199	Bush	1	
18	AP8144558	Rubber spacer	2	
19	AP8121455	Spacer bush	1	
20	AP8150018	Washer	1	
21	AP8150431	Low nut M8	1	
22	858906	Bracket	1	
23	598839	Screw w/ flange	2	
24	894228	Silent-block	1	
25	AP8150018	Washer	1	

Group	FRAME
Code	28.25
Description	Exhaust pipe I
Service	1



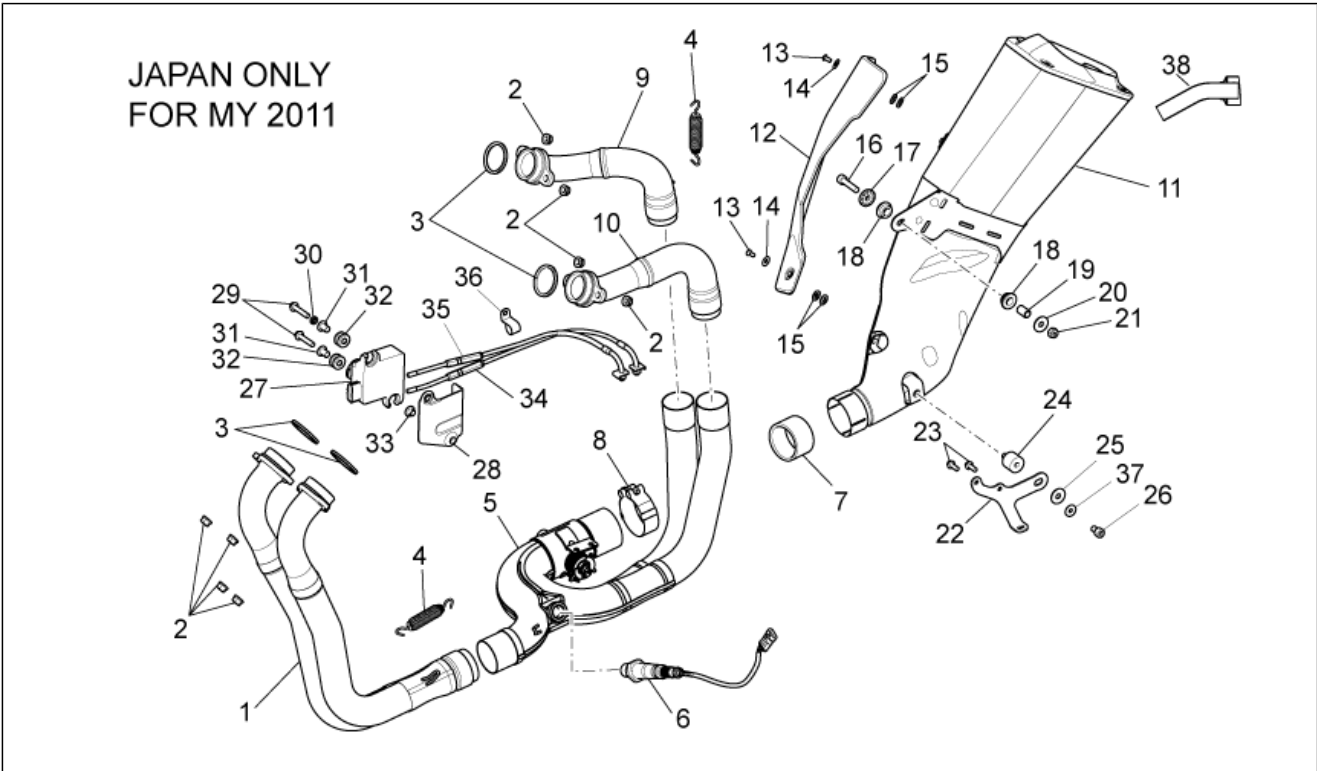
Pos.	Code	Description	Qty	Variants
26	AP8152112	Hex socket screw	1	
27	858722	Exhaust valve actuator	1	
28	890928	Heat protection	1	
29	AP8152281	Screw w/ flange M6x30	2	
30	AP8134640	Air box spacer	1	
31	AP8121725	T bush *	2	
32	AP8120223	Rubber spacer *	2	
33	840509	Spacer	1	
34	896141	Gas trasmission return	1	
35	896142	Gas trasmission delivery	1	
36	845978	Hose clamp	1	

Group	FRAME
Code	28.255
Description	Exhaust pipe II
Service	1



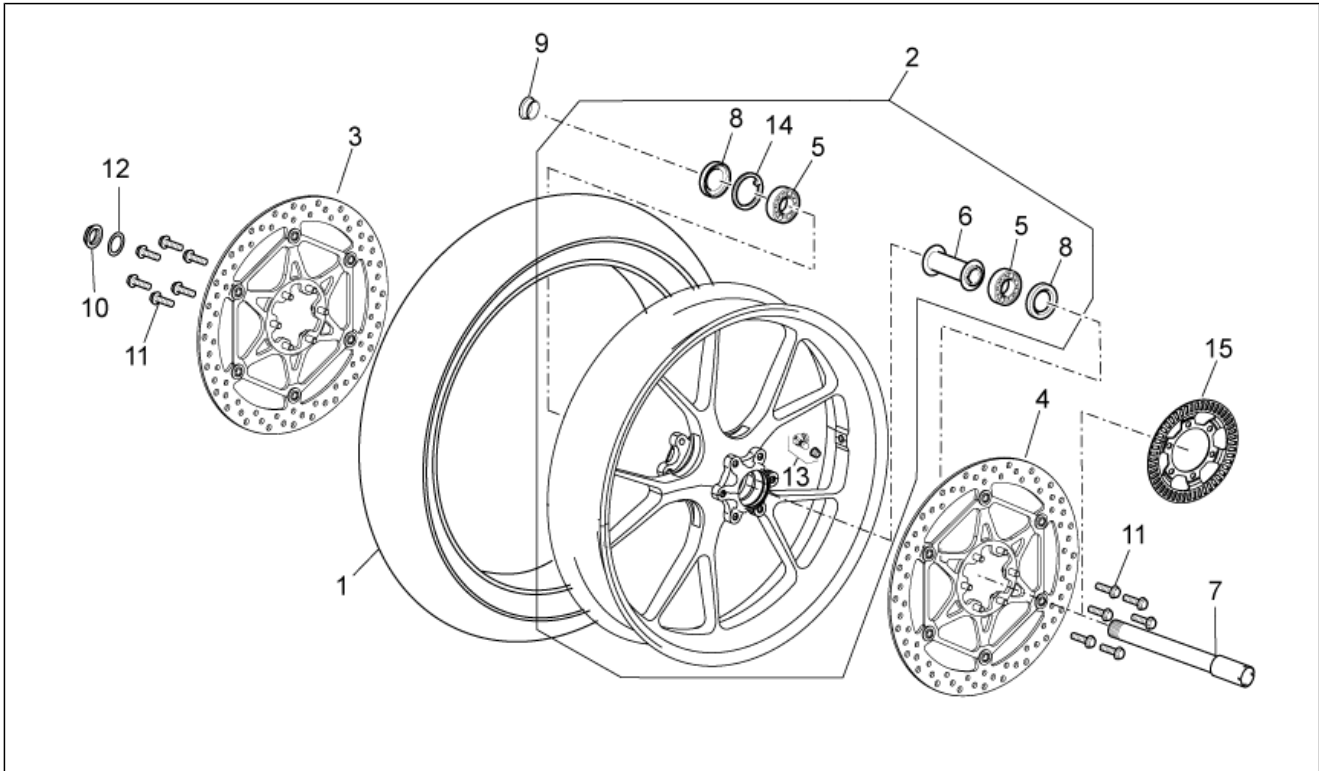
Pos.	Code	Description	Qty	Variants
1	858738	Front. Exhaust pipe	1	Country:Japan[J]
2	436947	Nut	8	Country:Japan[J]
3	852090	Exhaust pipe gasket	4	Country:Japan[J]
4	AP8121170	Spring	3	Country:Japan[J]
5	8587414	Central exhaust manifold	1	Country:Japan[J]
6	584344	Lamda sensor I. 325 mm	1	Country:Japan[J]
7	GU05128230	Gasket	1	Country:Japan[J]
8	851586	LH manifold pipe	1	Country:Japan[J]
9	858739	RH rear exhaust pipe	1	Country:Japan[J]
10	858740	LH rear exhaust pipe	1	Country:Japan[J]
11	895734	Silencer	1	Year:2011[B] Country:Japan[J]
12	858745	Silencer protection	1	Year:2011[B] Country:Japan[J]
13	AP8150538	Hex socket screw M5x10	2	Country:Japan[J]
14	AP8150382	Washer 15x5,5X1,2	2	Country:Japan[J]
15	AP8150009	Washer	4	Country:Japan[J]
16	AP8150236	Hex socket screw M8x35	1	Country:Japan[J]
17	AP8121199	Bush	1	Country:Japan[J]
18	AP8144558	Rubber spacer	2	Country:Japan[J]
19	AP8121455	Spacer bush	1	Country:Japan[J]
20	AP8150018	Washer	1	Country:Japan[J]
21	AP8150431	Low nut M8	1	Country:Japan[J]
22	858906	Bracket	1	Country:Japan[J]
23	598839	Screw w/ flange	2	Country:Japan[J]
24	894228	Silent-block	1	Country:Japan[J]
25	AP8150018	Washer	1	Country:Japan[J]
26	AP8152112	Hex socket screw	1	Country:Japan[J]

Group	FRAME
Code	28.255
Description	Exhaust pipe II
Service	1



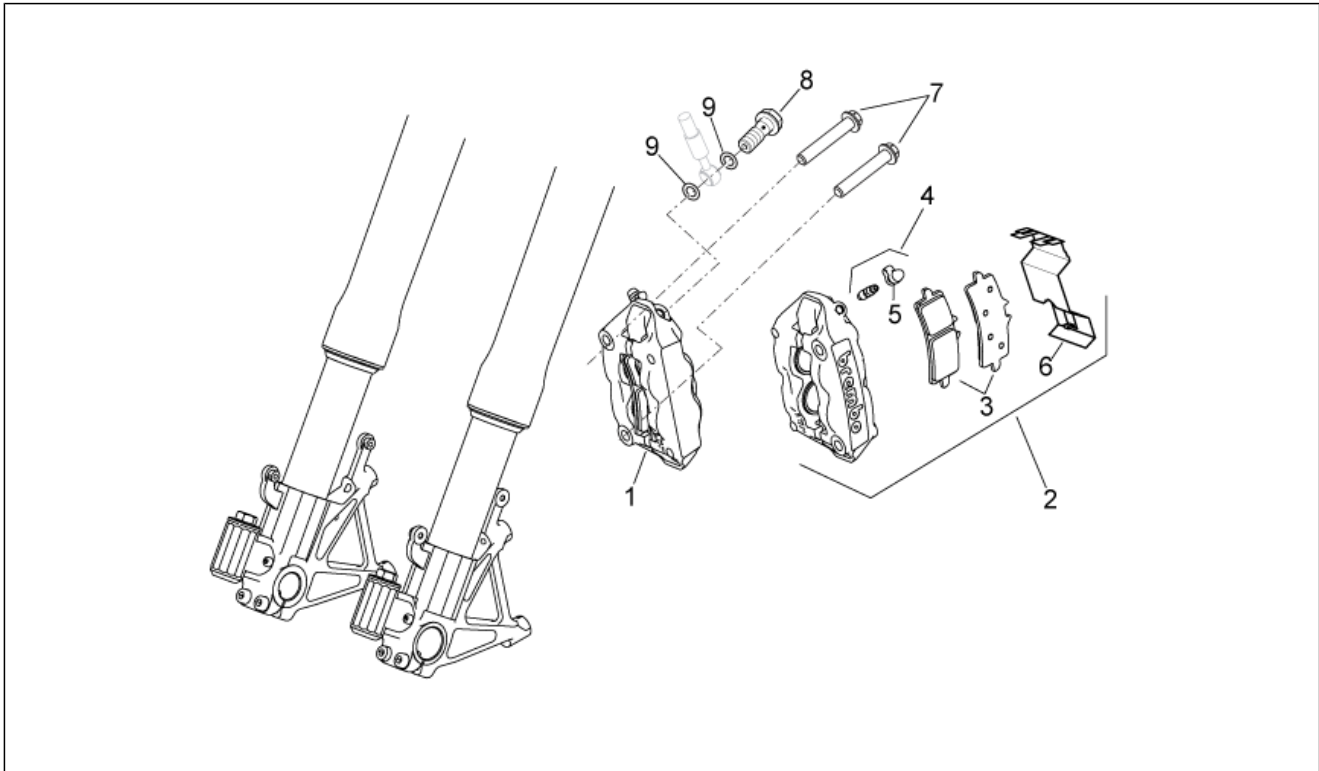
Pos.	Code	Description	Qty	Variants
27	858722	Exhaust valve actuator	1	Country:Japan[J]
28	890928	Heat protection	1	Country:Japan[J]
29	AP8152281	Screw w/ flange M6x30	2	Country:Japan[J]
30	AP8134640	Air box spacer	1	Country:Japan[J]
31	AP8121725	T bush *	2	Country:Japan[J]
32	AP8120223	Rubber spacer *	2	Country:Japan[J]
33	840509	Spacer	1	Country:Japan[J]
34	858747	Gas trasmission return	1	Country:Japan[J]
35	858748	Gas trasmission delivery	1	Country:Japan[J]
36	845978	Hose clamp	1	Country:Japan[J]
37	AP8150376	Washer 8,5x15x0,8	1	Country:Japan[J]
38	895832	DB killer	1	Year:2011[B] Country:Japan[J]

Group	FRAME
Code	28.26
Description	Front wheel
Service	1



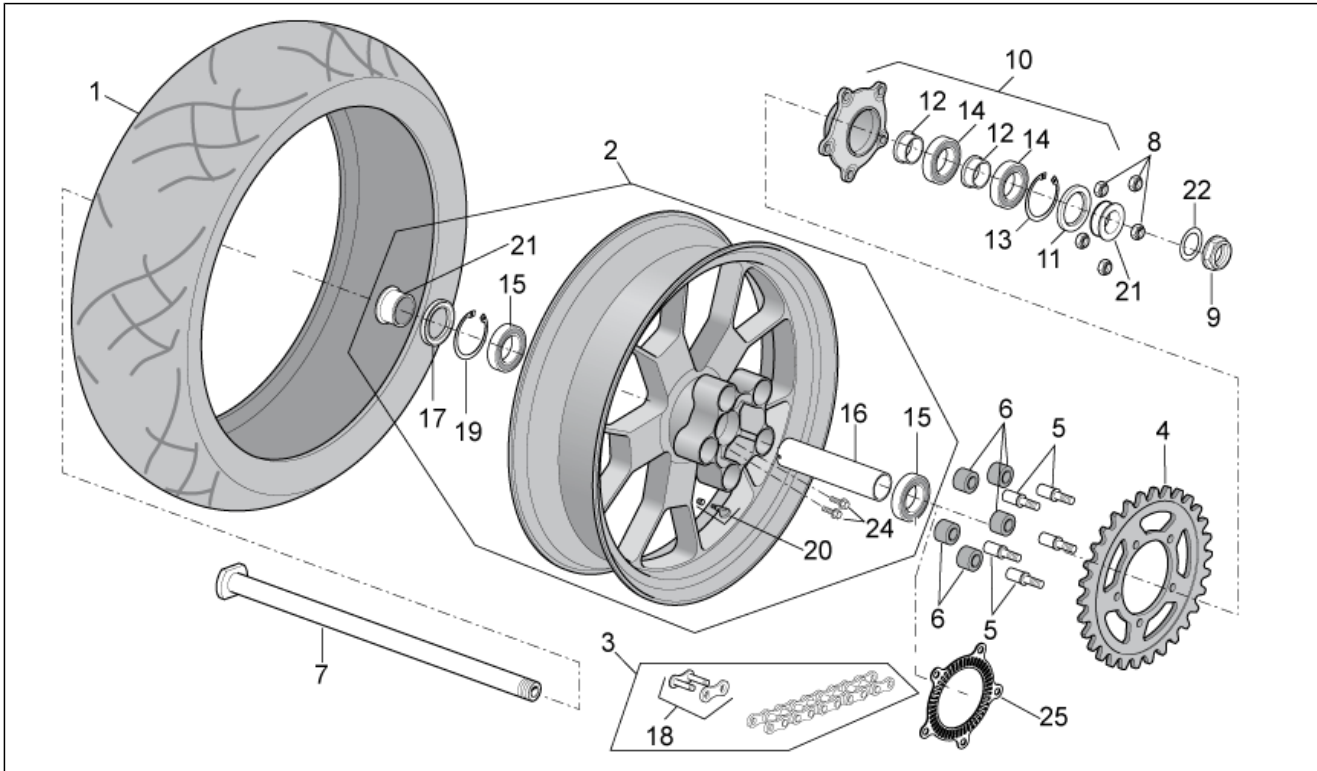
Pos.	Code	Description	Qty	Variants
1	897596	Front/rear tyre 120/70-17" M/C (58W)	1	
2	894846	Front wheel	1	Year:2011[B] Technical specification:Special Edition Biaggi Limited[SE], Factory MY 2011[STD]
2	896170	Front wheel, gold	1	Year:2012[C] Vehicle colour:Black Flame[BF]
3	893135	RH front brake disc	1	
4	893136	LH front brake disc	1	
5	AP8110094	Bearing 25x47x12	2	
6	AP8125843	Internal spacer	1	
7	AP8125827	Front wheel spindle	1	
8	AP8125841	Gasket ring 30x47x7	2	
9	AP8125728	Front RH whe.ou.spacer	1	
10	AP8152335	Wheel spindle nut	1	
11	AP8152286	Screw w/ flange M8x20	12	
12	AP8152323	Washer 25,2x36x1	1	
13	AP8104728	Tubeless tyre valve 90°	1	
14	AP8125842	Snap ring d47	1	
15	AP8128189	Wheel speed sensor, left front	1	

Group	FRAME
Code	28.27
Description	Front brake caliper
Service	1



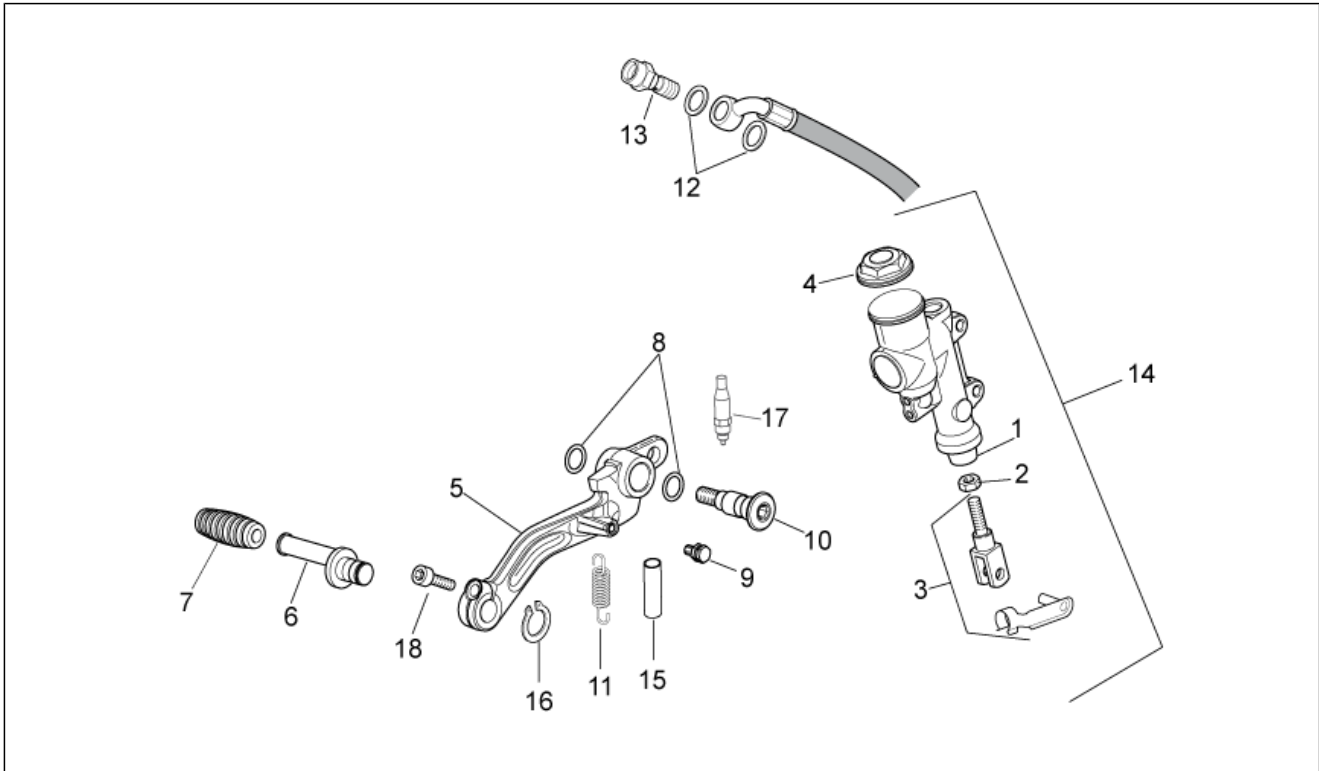
Pos.	Code	Description	Qty	Variants
1	858896	RH front brake caliper	1	
2	858897	LH front brake caliper	1	
3	893931	Pads pair	2	
4	AP8133824	Air bleed valve	2	
5	AP8113230	Bleed valve cap	2	
6	896576	Spring	2	
7	AP8152414	Screw w/ flange M10x55	4	
8	852702	Oil pipe screw	2	
9	AP8113004	Washer 10x14x1,6*	4	

Group	FRAME
Code	28.28
Description	Rear wheel
Service	1



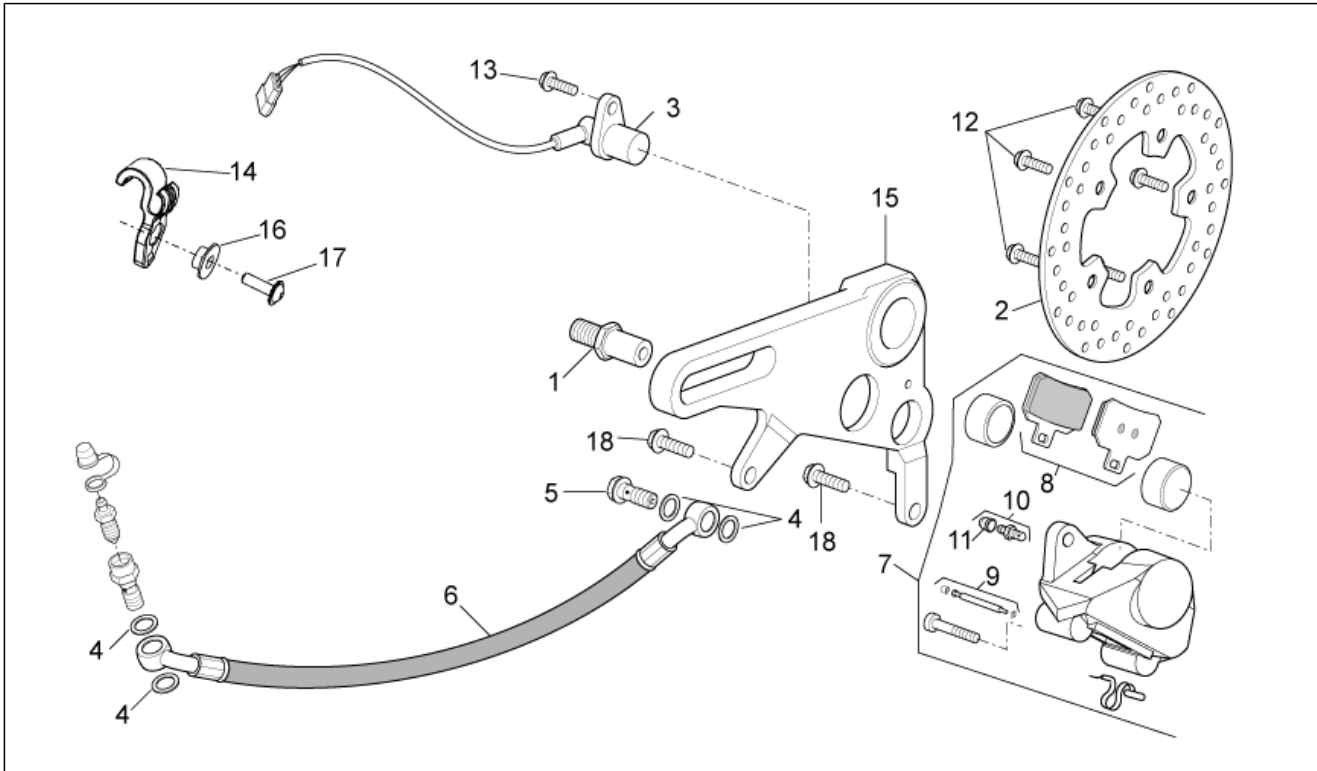
Pos.	Code	Description	Qty	Variants
1	897367	Rear tyre 200/55-17" M/C	1	
2	894847	Rear wheel	1	Year: 2011[B] Technical specification: Special Edition Biaggi Limited[SE], Factory MY 2011[STD]
2	896171	Rear wheel, gold	1	Year: 2012[C] Vehicle colour: Black Flame[BF]
3	896358	Chain cpl conn.link	1	
4	CM224903	Chain ring Z=42	1	
5	B045033	Pin	5	
6	AP8125731	Flexible coupling rubber	5	
7	858731	Rear wheel spindle	1	
8	AP8150436	Low self-locking nut	5	
9	AP8152324	Wheel spindle nut M25x1,5	1	
10	AP8125730	Crown holder cpl.	1	
11	AP8121213	Gasket ring 38x55x7	1	
12	AP8125732	Spring drive spacer	2	
13	AP8121212	Inside circlip d55	1	
14	AP8110081	Bearing 30x55x13	2	
15	AP8110093	Bearing 6205-2rs1 25x52x15	2	
16	AP8176101	Internal spacer	1	
17	AP8125838	Gasket ring 38x52x7	1	
18	859754	Connecting link	1	
19	AP8125839	Snap ring d52	1	
20	AP8104728	Tubeless tyre valve 90°	1	
21	AP8121592	Rear wheel spacer	2	
22	AP8152323	Washer 25,2x36x1	1	
24	874555	screw	10	
25	890960	Wheel speed sensor, left front ABS	1	

Group	FRAME
Code	28.29
Description	Rear master cylinder
Service	1



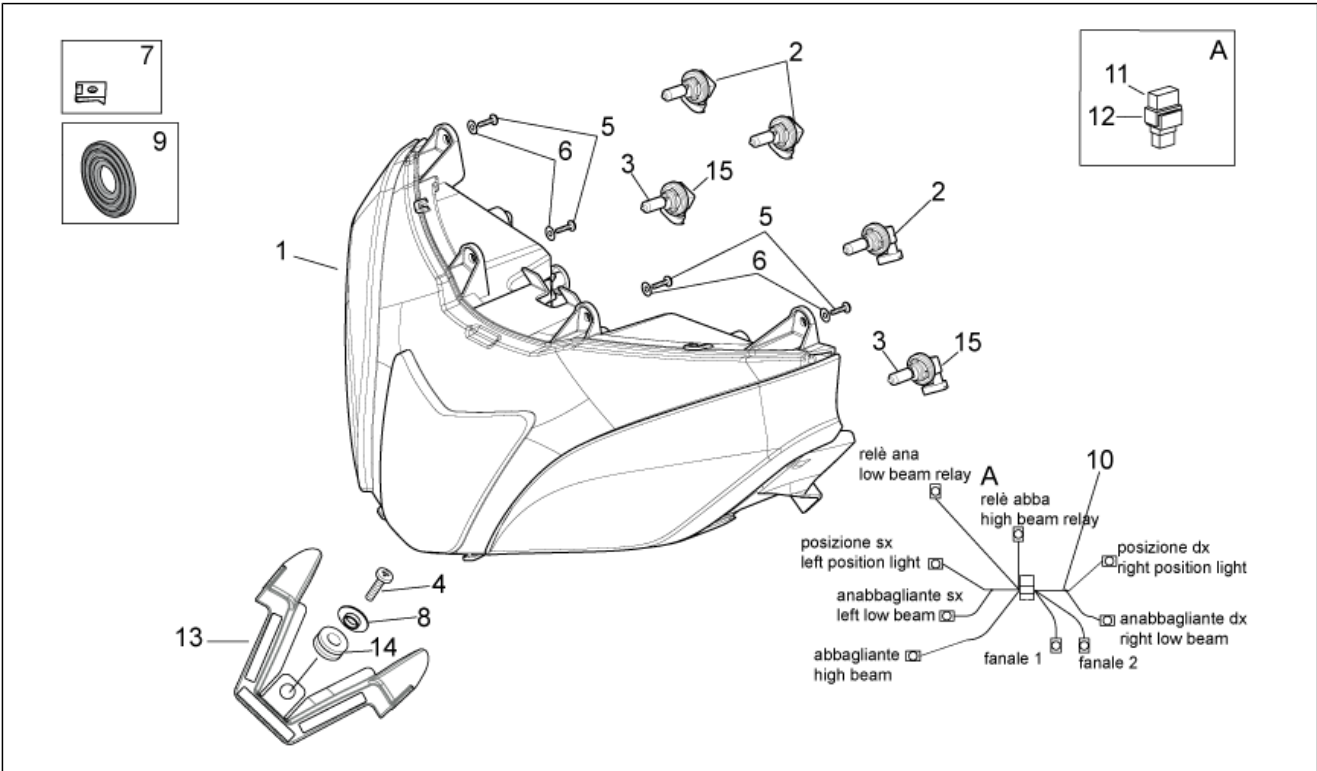
Pos.	Code	Description	Qty	Variants
1	893933	Rubber bellows	1	
2	020006	Nut	1	
3	898694	Push rod set	1	
4	898695	Plug	1	
5	858785	Rear brake lever	1	
6	AP8121221	Brake lever pin	1	
7	AP8120912	Lever rubber	1	
8	AP8144007	O-ring 11,11x1,78	2	
9	859946	Fixing pin	1	
10	AP8121223	Rear brake lever pin	1	
11	893138	Spring	1	
12	AP8113004	Washer 10x14x1,6*	2	
13	852702	Oil pipe screw	1	
14	858943	Rear master cylinder	1	
15	AP8120822	Silent block, spring	1	
16	AP8150462	Circlip d9	1	
17	AP8112996	Microswitch	1	
18	AP8224470	Hex socket screw M6x20	1	

Group	FRAME
Code	28.30
Description	Rear brake caliper
Service	1



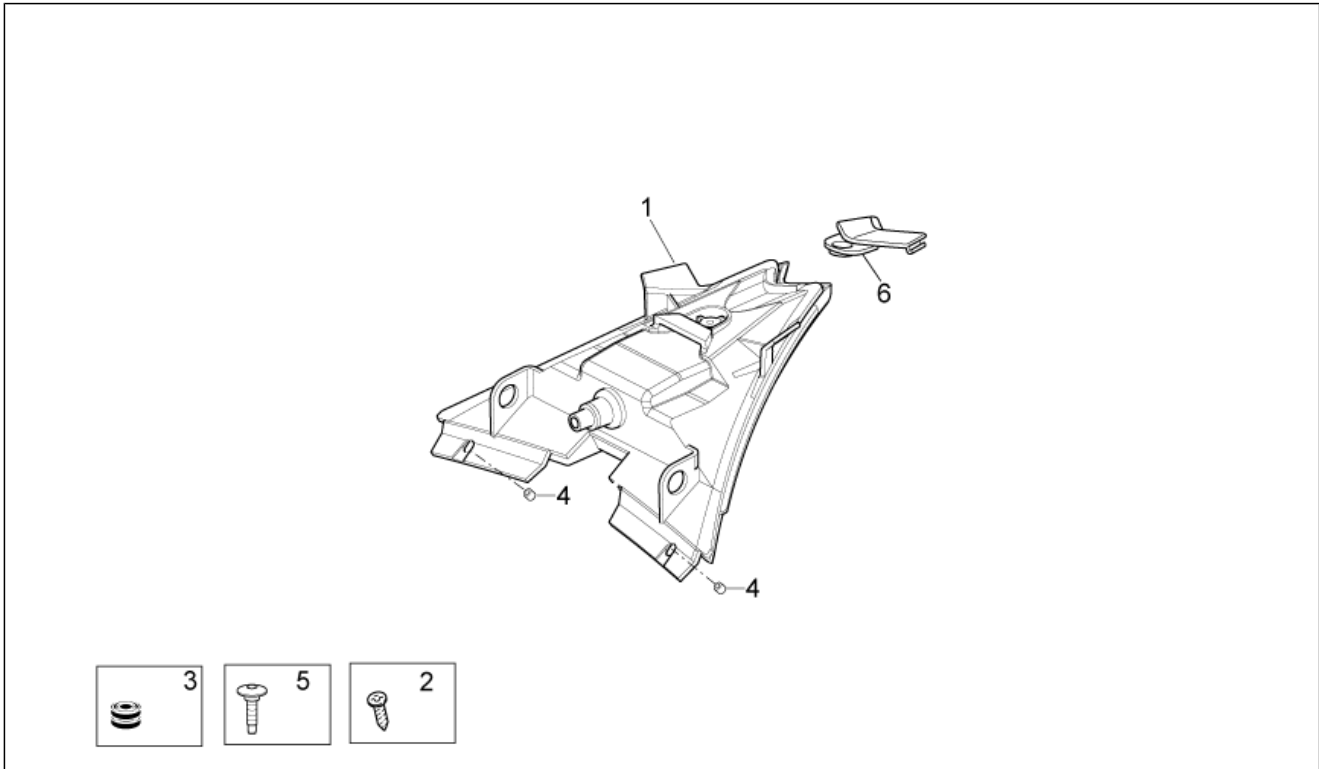
Pos.	Code	Description	Qty	Variants
1	898486	Brake supp. plate pin	1	
2	893137	Rear brake disc	1	
3	859792	Sensor ABS	1	
4	AP8113004	Washer 10x14x1,6*	4	
5	852702	Oil pipe screw	1	
6	858902	Rear brake hose	1	
7	860880	Rear brake caliper	1	
8	893969	Pads pair	1	
9	AP8113752	Pin+split pin	1	
10	AP8113753	Air bleed valve	1	
11	AP8113230	Bleed valve cap	1	
12	894505	Screw w/ flange M8x18	7	
13	AP8152279	Screw w/ flange M6x20	1	
14	858791	Rear brake hose support	1	
15	896896	Rear brake caliper support	1	
16	AP8221349	T bush	1	
17	AP8152298	Screw w/ flange M5x16	1	
18	AP8152286	Screw w/ flange M8x20	2	

Group	FRAME
Code	28.31
Description	Headlight
Service	1



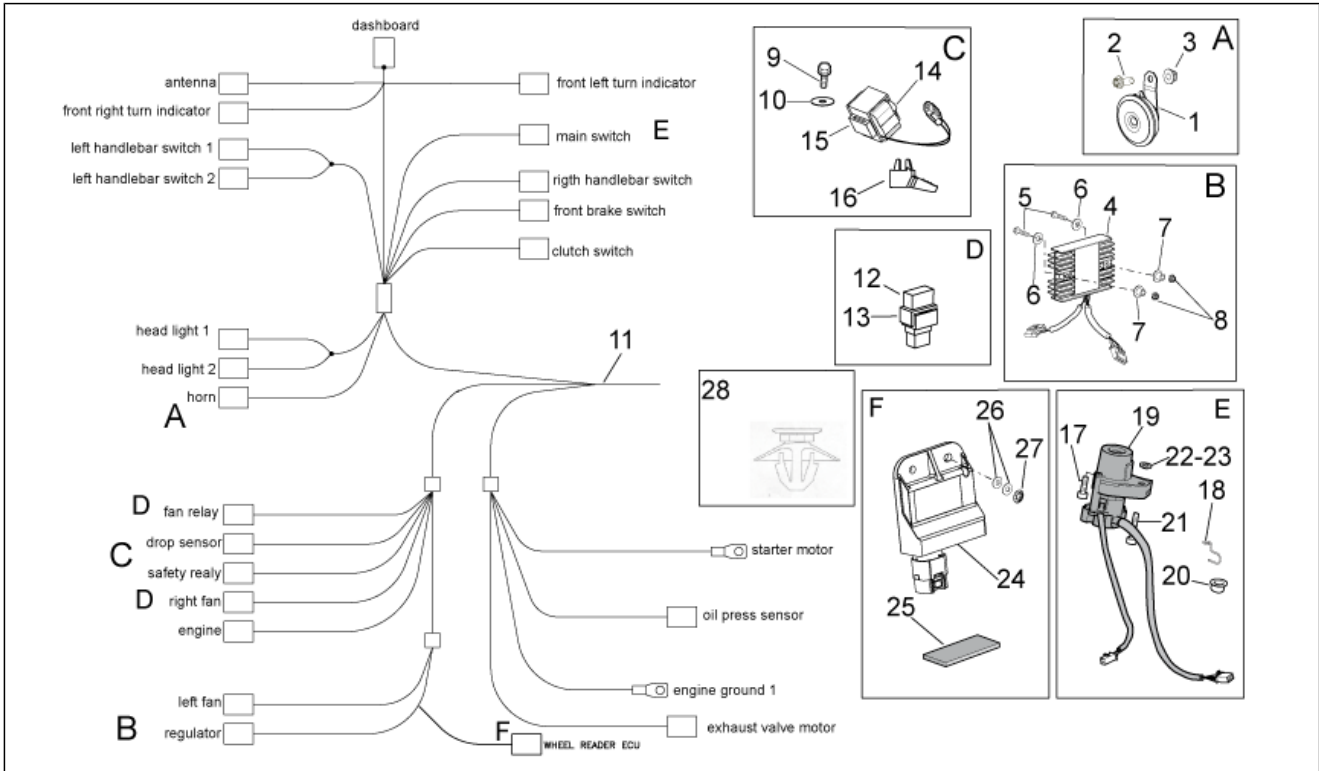
Pos.	Code	Description	Qty	Variants
1	858703	Headlight	1	
2	640754	Lamp H11 12V 55W	3	
3	893929	Lamp W5WB 2V 5W	2	
4	AP8150515	Light adjustment self-threading screw	3	
5	AP8150509	Self-tap screw 5x14	4	
6	AP8150382	Washer 15x5,5X1,2	4	
7	AP8102375	Clip m5	2	
8	AP8121032	Bush	3	
9	894796	Front headlight guard	3	
10	858867	Headlight wiring w/harness	1	
11	AP8224462	Relay 12V/30A	5	
12	AP8220283	Rubber spacer *	5	
13	894057	Headlight Covers	1	
14	AP8120405	Rubber spacer	3	
15	893930	Lampholder	2	

Group	FRAME
Code	28.32
Description	Taillight
Service	1



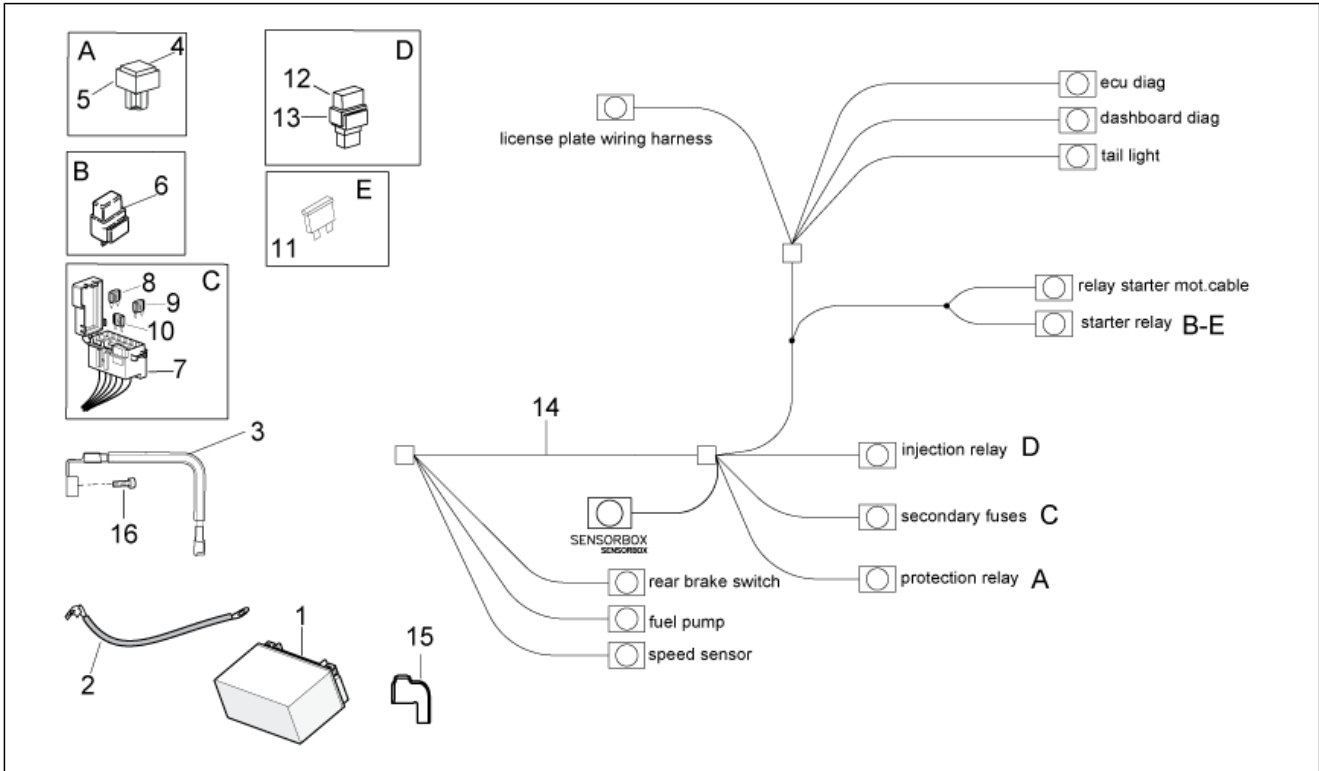
Pos.	Code	Description	Qty	Variants
1	858725	Taillight	1	
2	AP8150420	Self-tapping screw *	1	
3	AP8220186	Rubber spacer	2	
4	AP8221036	Bushing 5,3x8x7,1	2	
5	AP8152298	Screw w/ flange M5x16	2	
6	858839	Taillight Cover	1	

Group	FRAME
Code	28.33
Description	Electrical system I
Service	1



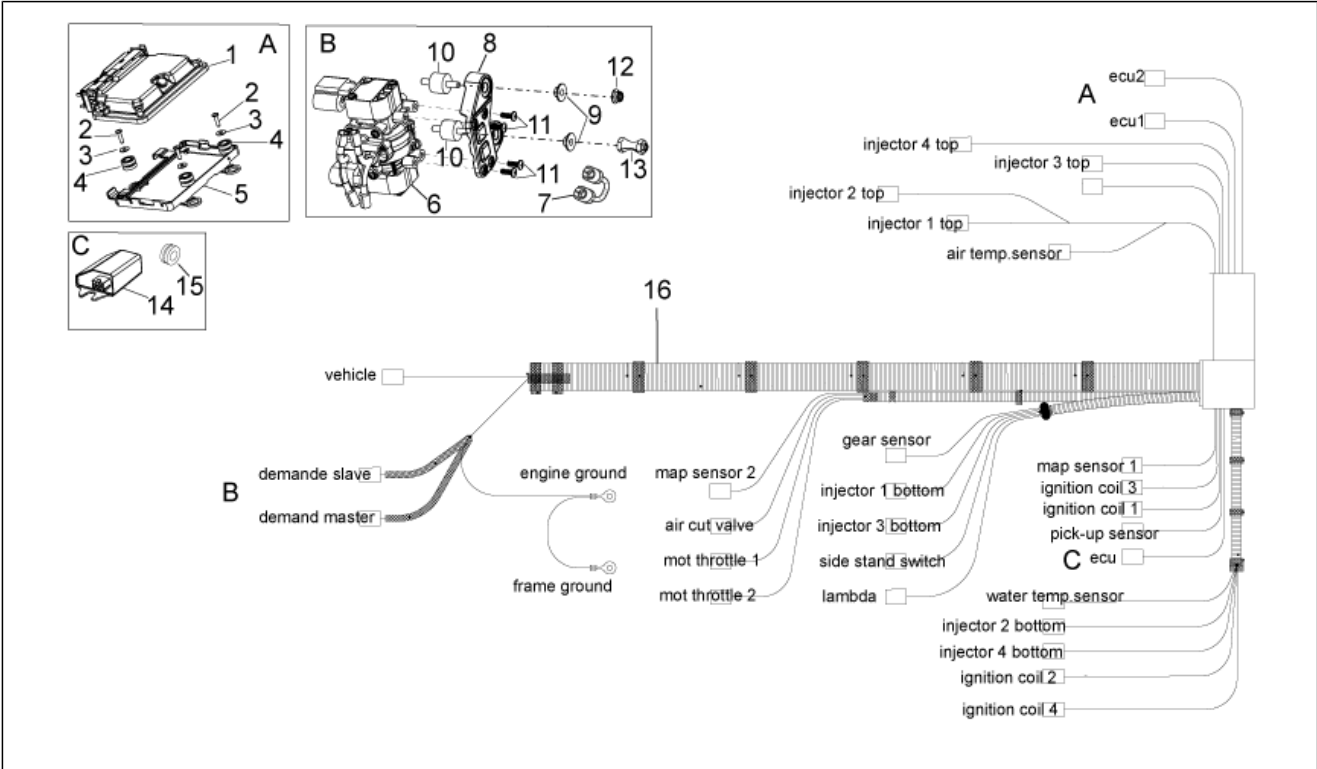
Pos.	Code	Description	Qty	Variants
1	890979	Horn	1	
2	AP8152285	Screw w/ flange	1	
3	AP8150376	Washer 8,5x15x0,8	1	
4	858809	Voltage regulator	1	
5	AP8152128	Hex socket screw M6x30	2	
6	AP8150179	Washer 6,6x18*	2	
7	AP8121075	T bush *	2	
8	AP8152299	Self-locking nut M6	2	
9	AP8152279	Screw w/ flange M6x20	1	
10	AP8121991	Bush	1	
11	895844	Wiring ABS + ACT	1	
12	AP8224462	Relay 12V/30A	5	
13	AP8220283	Rubber spacer *	5	
14	584509	Fall sensor	1	
15	AP8144046	Rubber sensor support	1	
16	858916	Maintenance	1	
17	AP8152238	Shear rivet M8x28	1	
18	AP8121475	Fairlead	1	
19	858580	Main switch - steering lock	1	
20	AP8121096	T bush 8,2x12x4	1	
21	AP8150236	Hex socket screw M8x35	1	
22	AP8150017	Washer 8,4x16x1,6	1	
23	AP8152154	Washer 8,4x13*	2	
24	896752	ECU CLF	1	
25	AP8117033	Adhesive sponge	2	
26	AP8144065	Rubber spacer	4	
27	AP8152179	Spring washer 6,5x12,5	2	
28	890760	Instrument support	5	

Group	FRAME
Code	28.34
Description	Electrical system II
Service	1



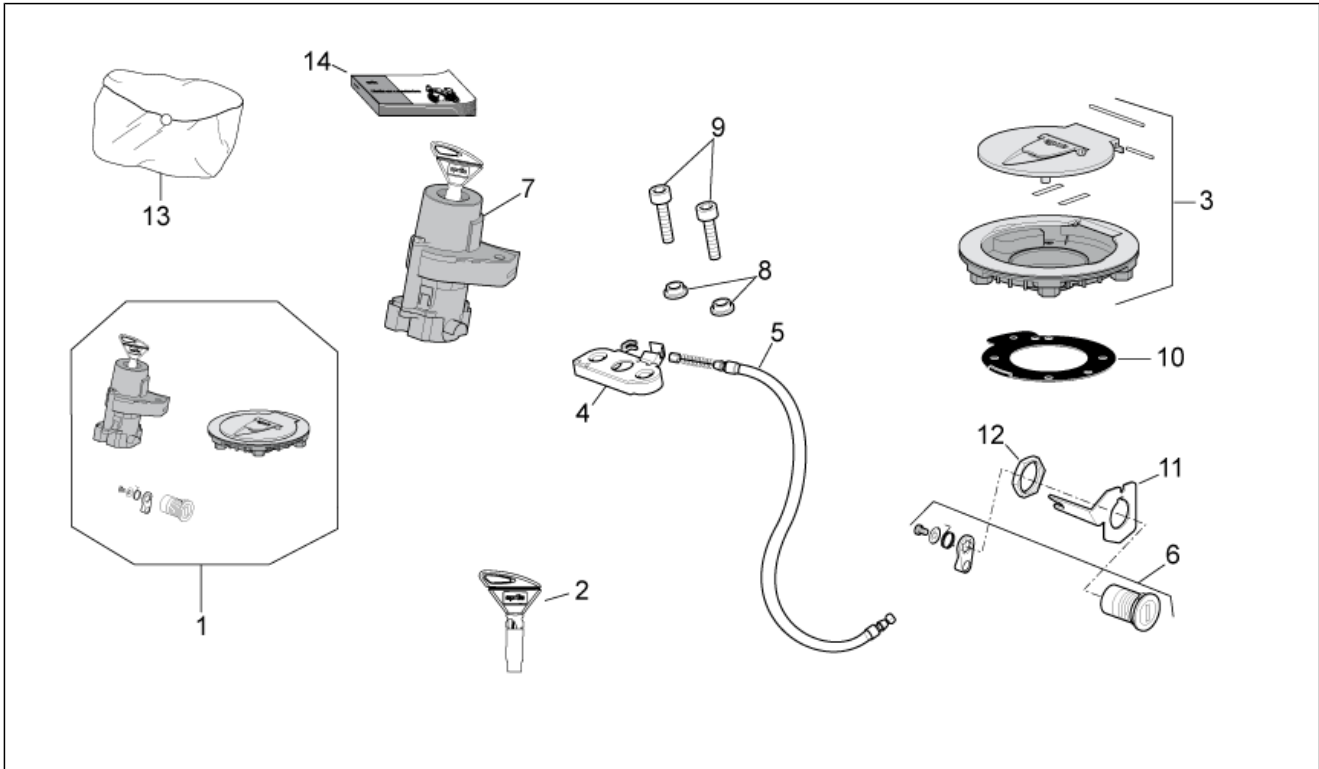
Pos.	Code	Description	Qty	Variants
1	639792	Battery 12V-12Ah	1	
2	858869	Earth cable	1	
3	858871	Relay battery wiring	1	
4	AP8124869	Injection relay	1	
5	896715	Relay rubber	1	
6	582690	Starter relay	1	
7	858212	Rubber fuse box	1	
8	CM225605	Fuse 5A	2	
9	CM225607	Fuse 7,5A	1	
10	CM225615	Fuse 15A	3	
11	CM225730	Fuse 30A	1	
12	AP8224462	Relay 12V/30A	5	
13	AP8220283	Rubber spacer *	5	
14	895844	Wiring ABS + ACT	1	
15	895701	Terminal cap	1	
16	581596	screw	2	

Group	FRAME
Code	28.35
Description	Electrical system III
Service	1



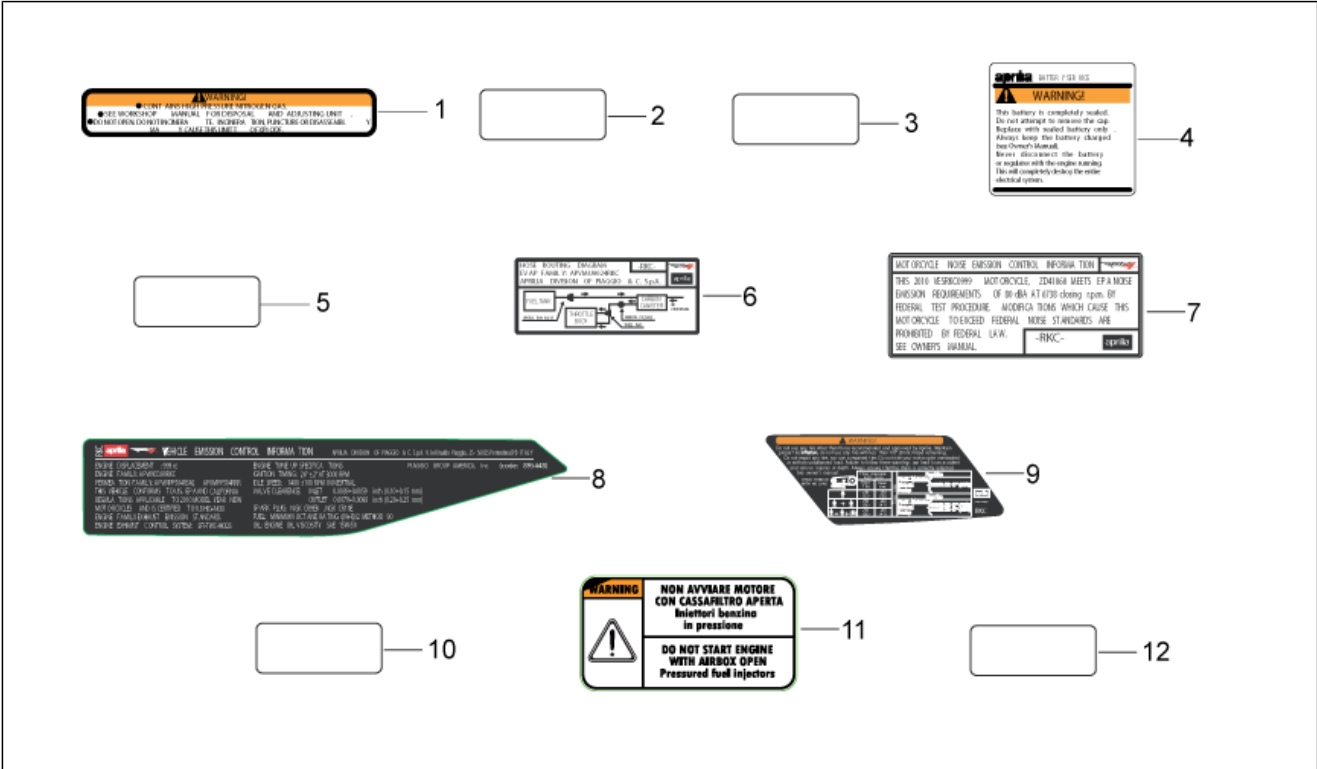
Pos.	Code	Description	Qty	Variants
1	CM083515	Electronic control unit	1	Country: europe[EU], Japan[J]
1	CM083518	Electronic control unit	1	Country: Canadian[CA], United States of America[USA]
2	AP8150509	Self-tap screw 5x14	3	
3	AP8150382	Washer 15x5,5X1,2	3	
4	AP8220150	Rubber spacer	3	
5	858882	Maintenance	1	
6	872664	Demand Sensor	1	
7	854811	Rubber spacer	1	
8	858883	Support bracket	1	
9	AP8221145	T bush *	2	
10	AP8144061	Silent-block	2	
11	AP8150509	Self-tap screw 5x14	4	
12	AP8152299	Self-locking nut M6	1	
13	893255	Spacer	1	
14	890932	Variable ducts ECU	1	
15	AP8120405	Rubber spacer	2	
16	897114	Engine wiring	1	

Group	FRAME
Code	28.36
Description	Lock hardware kit
Service	1



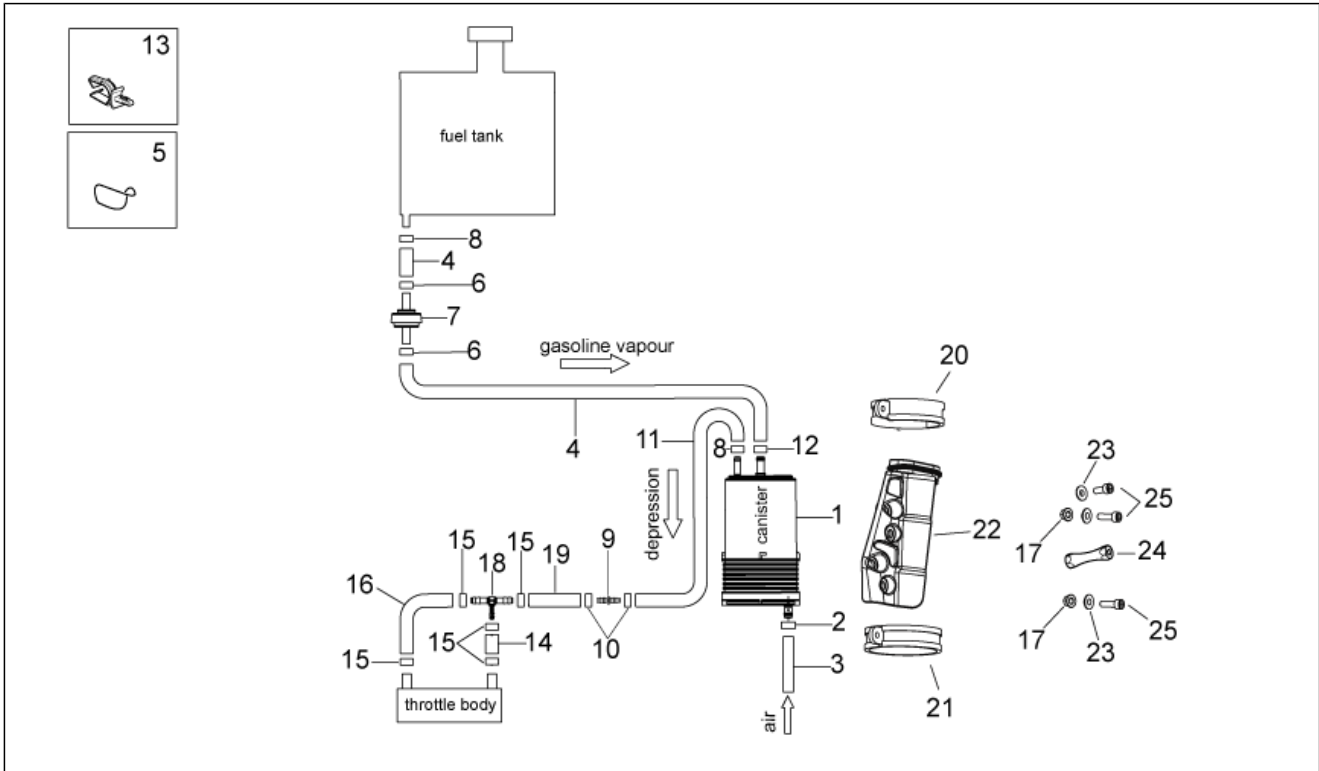
Pos.	Code	Description	Qty	Variants
1	B043920	Lock kit	1	
2	AP8140711	"Aprilia" key with transpo.	1	
3	B043929	Fuel filler cap and lock	1	
4	AP8102913	Pass.saddle connecting plate	1	
5	858955	Lock cable	1	
6	AP8104719	Saddle lock	1	
7	858580	Main switch - steering lock	1	
8	AP8221129	Bush	2	
9	AP8150285	Hex socket screw M6x35	2	
10	AP8104803	Fuel filler cap gasket	1	
11	AP8134948	Plate	1	
12	AP8102523	Lock nut M22x1,5	1	
13	894056	Toolkit	1	
14	899125	***HANDBOOK	1	
14	899126	***HANDBOOK	1	
14	899127	***HANDBOOK	1	
14	899128	Operator's handbook J-UK	1	Year:2011[B] Country:Japan[J]
14	B043165	Operator's handbook J-UK	1	Year:2012[C] Country:Japan[J]

Group	FRAME
Code	28.55
Description	Plate set and decal
Service	1



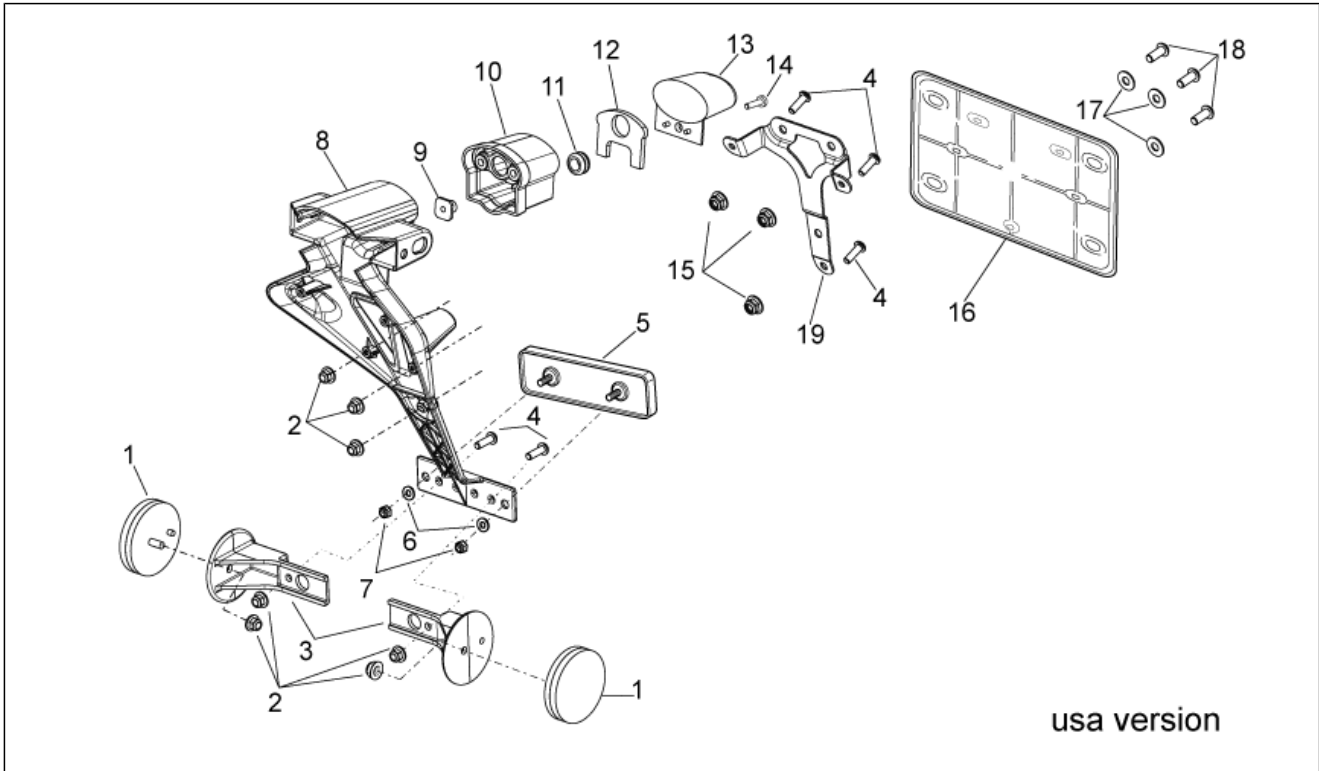
Pos.	Code	Description	Qty	Variants
1	AP8157100	Decal Shock Adsorber	1	Country:Canadian[CA], United States of America[USA]
2	AP8257609	Mirror decal	2	Country:Canadian[CA], United States of America[USA]
3	AP8257755	Liquid cooling sticker	1	Country:Canadian[CA], United States of America[USA]
4	AP8267395	Battery decal	1	Country:Canadian[CA], United States of America[USA]
5	AP8257794	Battery decal	1	Country:Canadian[CA], United States of America[USA]
6	898786	Carbon filter sticker	1	Country:Canadian[CA], United States of America[USA]
6	B043524	Carbon filter sticker	1	Year:2012[C] Country:Canadian[CA], United States of America[USA]
7	898784	Noise emission sticker	1	Year:2011[B] Country:Canadian[CA], United States of America[USA]
7	B044364	Noise emission sticker	1	Year:2012[C] Country:Canadian[CA], United States of America[USA]
8	898785	Emission control sticker	1	Year:2011[B] Country:Canadian[CA], United States of America[USA]
8	B044363	Emission control sticker	1	Year:2012[C] Country:Canadian[CA], United States of America[USA]
9	898787	Tyre pressure decal	1	Year:2011[B] Country:Canadian[CA], United States of America[USA]
9	B043525	Tyre pressure decal	1	Year:2012[C] Country:Canadian[CA], United States of America[USA]
10	894714	Rear brake pump decal	1	
11	894019	Filter box decal	1	Country:Canadian[CA], United States of America[USA]
12	B044618	Decal ECE	1	

Group	FRAME
Code	28.56
Description	Fuel vapour recover system
Service	1



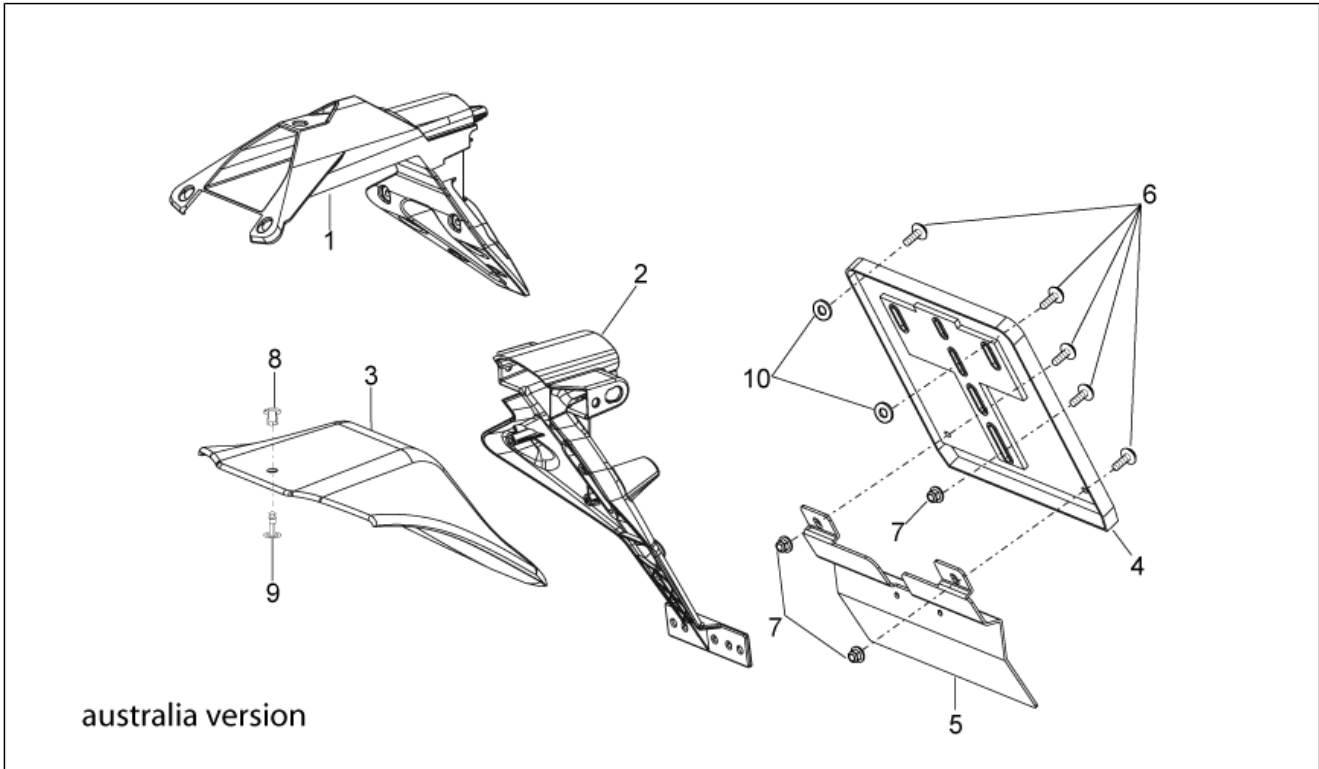
Pos.	Code	Description	Qty	Variants
1	AP8102678	Carbon filter	1	Country:Canadian[CA], United States of America[USA]
2	AP8102520	Hose clamp	1	Country:Canadian[CA], United States of America[USA]
3	890499	Fuel pipe 8x13	1	Country:Canadian[CA], United States of America[USA]
4	856063	pipe SAE 30 d.12,7x6,35	2	Country:Canadian[CA], United States of America[USA]
5	AP8221150	Cable-guide	1	Country:Canadian[CA], United States of America[USA]
6	AP8102239	Hose clamp 12,5x8	2	Country:Canadian[CA], United States of America[USA]
7	860138	Valve	1	Country:Canadian[CA], United States of America[USA]
8	AP8120446	Hose clip, green D11x6,6x1	2	Country:Canadian[CA], United States of America[USA]
9	AP8121267	Choke hold	1	Country:Canadian[CA], United States of America[USA]
10	AP8102998	Hose clamp d.9,5	2	Country:Canadian[CA], United States of America[USA]
11	856062	pipe SAE 30 d.11,11x4,8	1	Country:Canadian[CA], United States of America[USA]
12	AP8102764	White hose clip d.13x6	1	Country:Canadian[CA], United States of America[USA]
13	AP8221311	Fairlead d18	1	Country:Canadian[CA], United States of America[USA]
14	CM178413	pipe SAE 30 L.50	1	Country:Canadian[CA], United States of America[USA]
15	CM001901	Hose clamp	5	Country:Canadian[CA], United States of America[USA]
16	CM178411	pipe SAE 30 L.130	1	Country:Canadian[CA], United States of America[USA]
17	AP8152299	Self-locking nut M6	2	Country:Canadian[CA], United States of America[USA]
18	828325	Tee union	1	Country:Canadian[CA], United States of America[USA]
19	CM178412	pipe SAE L.90	1	Country:Canadian[CA], United States of America[USA]
20	AP8102688	Hose clamp d.76	1	Country:Canadian[CA], United States of America[USA]
21	AP8102719	Hose clamp d.80,5	1	Country:Canadian[CA], United States of America[USA]
22	894901	Carbon filter support	1	Country:Canadian[CA], United States of America[USA]
23	AP8121032	Bush	4	Country:Canadian[CA], United States of America[USA]
24	894933	Spacer	1	Country:Canadian[CA], United States of America[USA]
25	AP8150044	Hex socket screw M6x20	3	Country:Canadian[CA], United States of America[USA]

Group	FRAME
Code	28.57
Description	Rear body II
Service	1



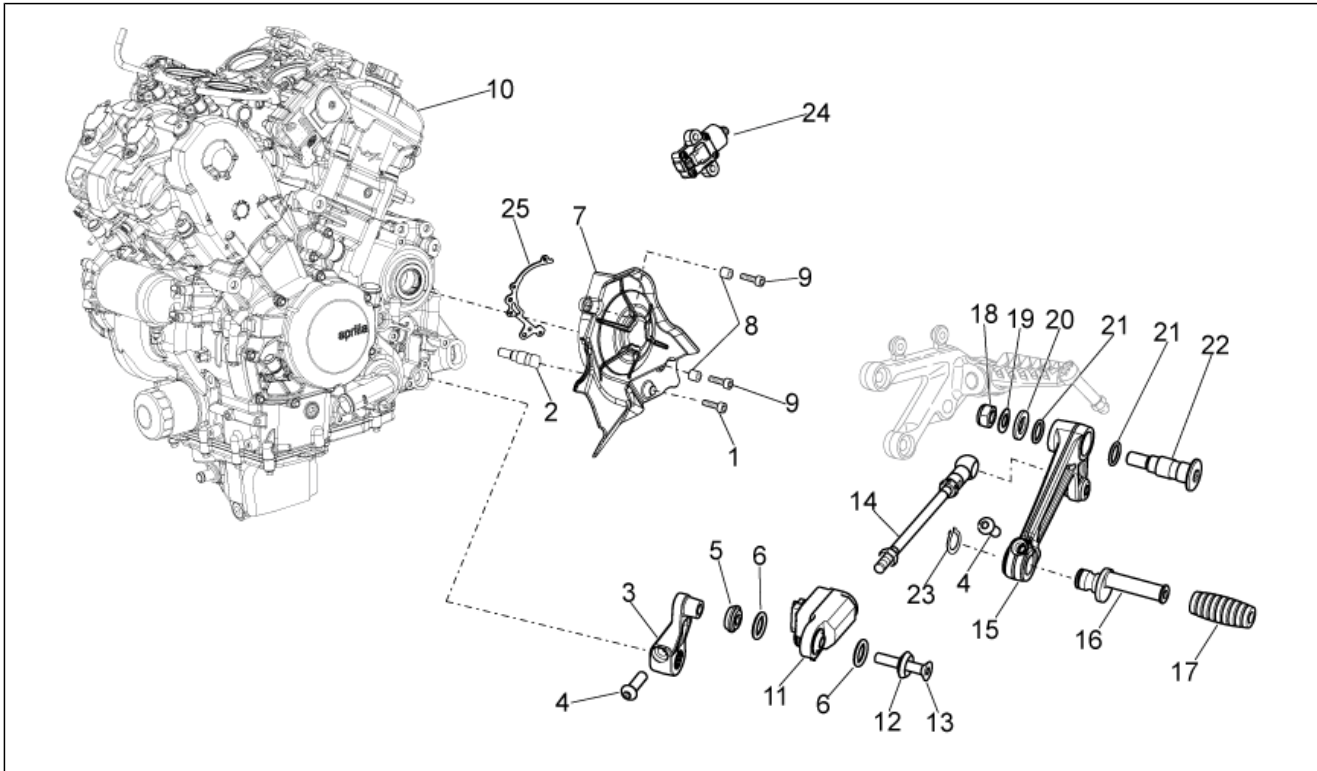
Pos.	Code	Description	Qty	Variants
1	AP8224164	Rear reflector, red	2	Country:Canadian[CA], United States of America[USA]
2	AP8152306	Self-locking nut m5	7	Country:Canadian[CA], United States of America[USA]
3	AP8134783	Reflector support	2	Country:Canadian[CA], United States of America[USA]
4	AP8152267	Hex socket screw M5x12	5	Country:Canadian[CA], United States of America[USA]
5	AP8112916	Rear reflector	1	Country:Canadian[CA], United States of America[USA]
6	AP8150204	Nut M4	2	Country:Canadian[CA], United States of America[USA]
7	AP8150204	Nut M4	2	Country:Canadian[CA], United States of America[USA]
8	858842	Lower Number plate holder	1	Country:Canadian[CA], United States of America[USA]
9	894566	T bush	1	Country:Canadian[CA], United States of America[USA]
10	894900	Extension	1	Country:Canadian[CA], United States of America[USA]
11	AP8112600	Rubber spacer	1	Country:Canadian[CA], United States of America[USA]
12	AP8117258	Vibration-damping rubber	1	Country:Canadian[CA], United States of America[USA]
13	AP8127098	Number-plate light	1	Country:Canadian[CA], United States of America[USA]
14	AP8150522	Screw 4,2x16	1	Country:Canadian[CA], United States of America[USA]
15	AP8152299	Self-locking nut M6	3	Country:Canadian[CA], United States of America[USA]
16	AP8149034	Number plate support	1	Country:Canadian[CA], United States of America[USA]
17	AP8152181	Washer 6,4x15x1	3	Country:Canadian[CA], United States of America[USA]
18	AP8152108	Hex socket screw	3	Country:Canadian[CA], United States of America[USA]
19	894899	Maintenance	1	Country:Canadian[CA], United States of America[USA]

Group	FRAME
Code	28.58
Description	Rear body III
Service	1



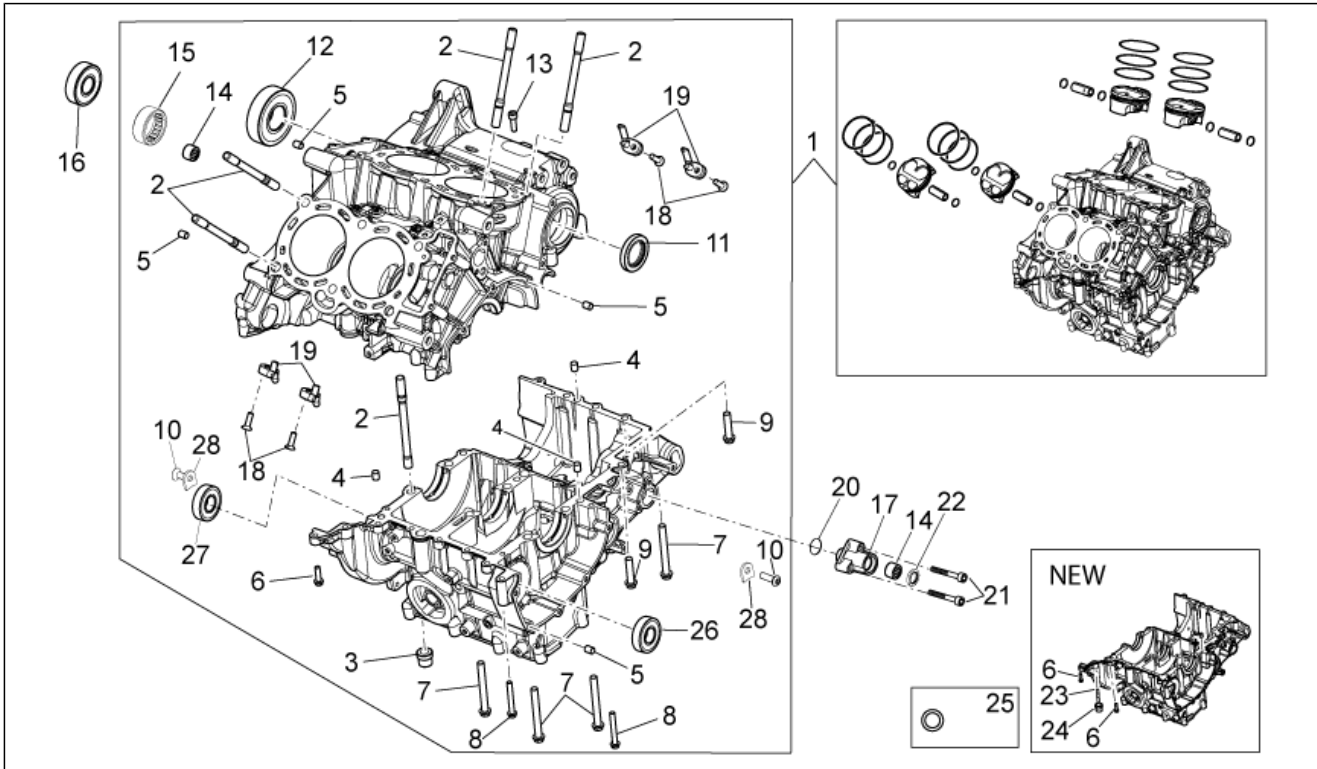
Pos.	Code	Description	Qty	Variants
1	858840	Upper Number plate holder	1	Country:Australia[AU]
2	897482	Number plate holder	1	Country:Australia[AU]
3	895487	Upper Rear mudguard	1	Country:Australia[AU]
4	895914	Number plate holder	1	Country:Australia[AU]
5	895488	Lower Rear mudguard	1	Country:Australia[AU]
6	AP8152298	Screw w/ flange M5x16	5	Country:Australia[AU]
7	AP8152306	Self-locking nut m5	3	Country:Australia[AU]
8	AP8144616	Rivet, female	1	Country:Australia[AU]
9	AP8144563	Rivet, male	1	Country:Australia[AU]
10	AP8150382	Washer 15x5,5X1,2	2	Country:Australia[AU]

Group	ENGINE
Code	29.37
Description	Engine
Service	1



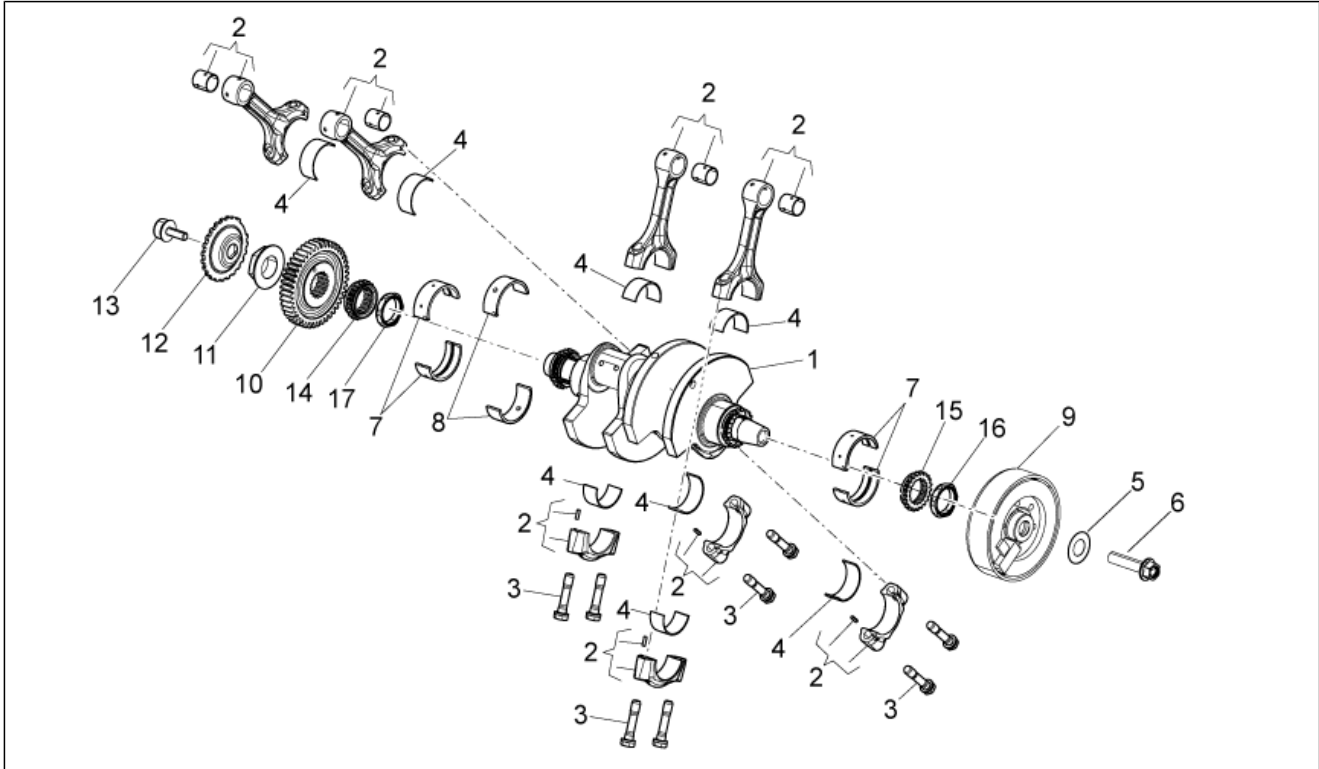
Pos.	Code	Description	Qty	Variants
1	AP8152278	Screw w/ flange M6x16	1	
2	898272	Spacer	1	
3	852480	Gear lever	1	
4	AP8224470	Hex socket screw M6x20	2	
5	898133	Bush	1	
6	AP8220177	O-ring 115	2	
7	898276	Sprocket cover, black	1	
8	AP8120253	Spacer	2	
9	AP8152279	Screw w/ flange M6x20	2	
10	CM2266015	Engine cpl.	1	Country:Australia[AU], europe[EU], Japan[J], Russia[RU]
10	CM2266035	Engine cpl.	1	Country:Canadian[CA], United States of America[USA]
11	896943	Quick shift device	1	
12	898134	Bush	1	
13	898463	Screw M6x35	1	
14	897594	Gear control tie rod	1	
15	897360	Gear lever	1	
16	AP8121221	Brake lever pin	1	
17	AP8120912	Lever rubber	1	
18	AP8150431	Low nut M8	1	
19	AP8150376	Washer 8,5x15x0,8	1	
20	AP8150020	Washer 10,5x21x2*	1	
21	AP8144007	O-ring 11,11x1,78	2	
22	AP8121223	Rear brake lever pin	1	
23	AP8150462	Circlip d9	1	
24	899191	Microswitch	1	
25	858923	Chain guide	1	

Group	ENGINE
Code	29.38
Description	Crank-case I
Service	1



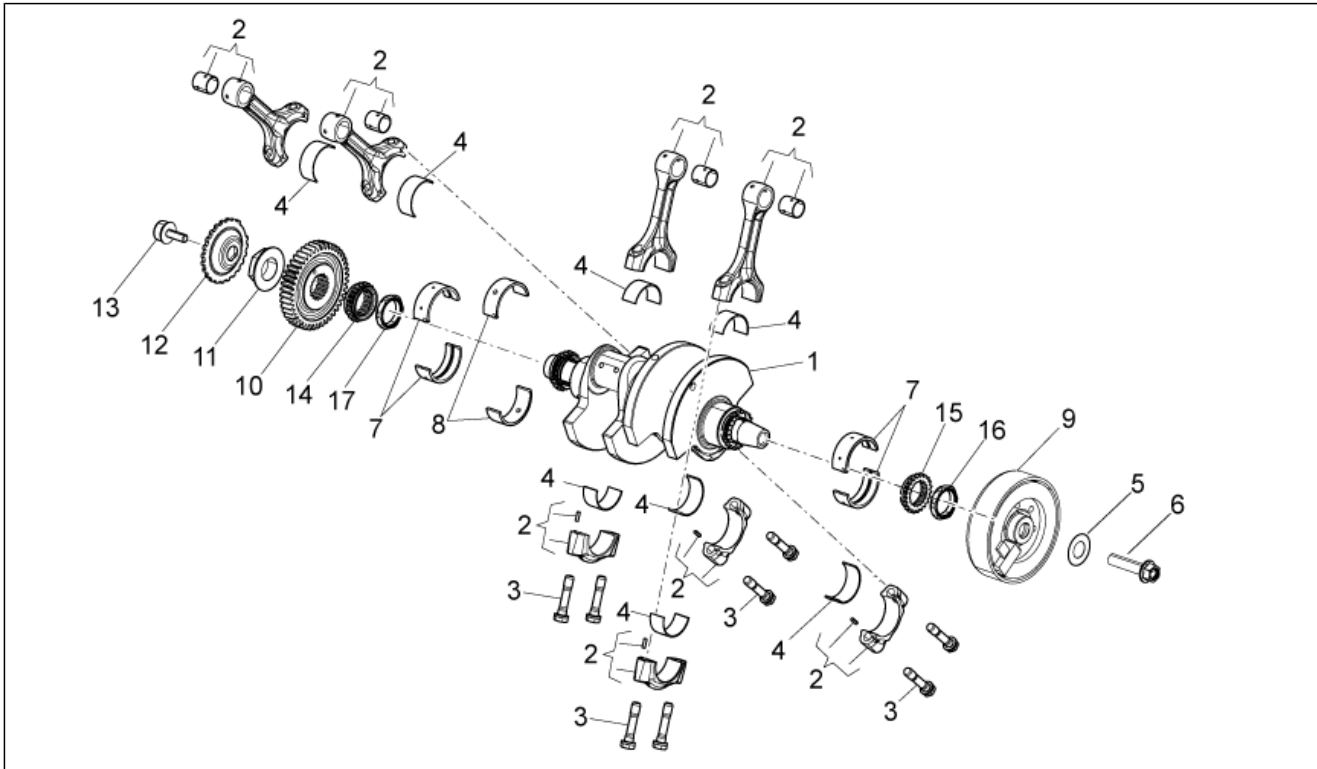
Pos.	Code	Description	Qty	Variants
1	B045973	Carter completo di pistoni	1	
2	857087	Stud bolt m10x126	14	
3	897434	Flanged nut M10x1	6	
4	857427	Pin M8x12	3	
5	411209	Pin	4	
6	AP8152280	Screw w/ flange M6x25	6	
7	AP8152294	Screw w/ flange	4	
8	AP8152284	Screw w/ flange	2	
9	AP8152289	Screw w/ flange	4	
10	AP8152166	screw M6x16	2	
11	857128	Gasket ring 30x47x7	1	
12	898633	Ball bearing 30X72X19	1	
13	AP8150044	Hex socket screw M6x20	1	
14	857312	Cage à rouleaux 12X18X12	2	
15	857249	Cage à rouleaux HK1512	1	
16	898635	Ball bearing 20x52x15	1	
17	857090	Maintenance	1	
18	857140	screw	4	
19	857139	Piston oil jet	4	
20	857109	Gasket ring 17,12X2,62	1	
21	AP8150285	Hex socket screw M6x35	2	
22	857127	Gasket ring 12x22	1	
23	857495	Stud bolt	1	
24	857496	Special nut	1	
25	857144	O-ring	1	
26	897435	Bearing	1	
27	897436	Bearing	1	
28	AP9150145	Check bearing plate	2	

Group	ENGINE
Code	29.39
Description	Drive shaft
Service	1



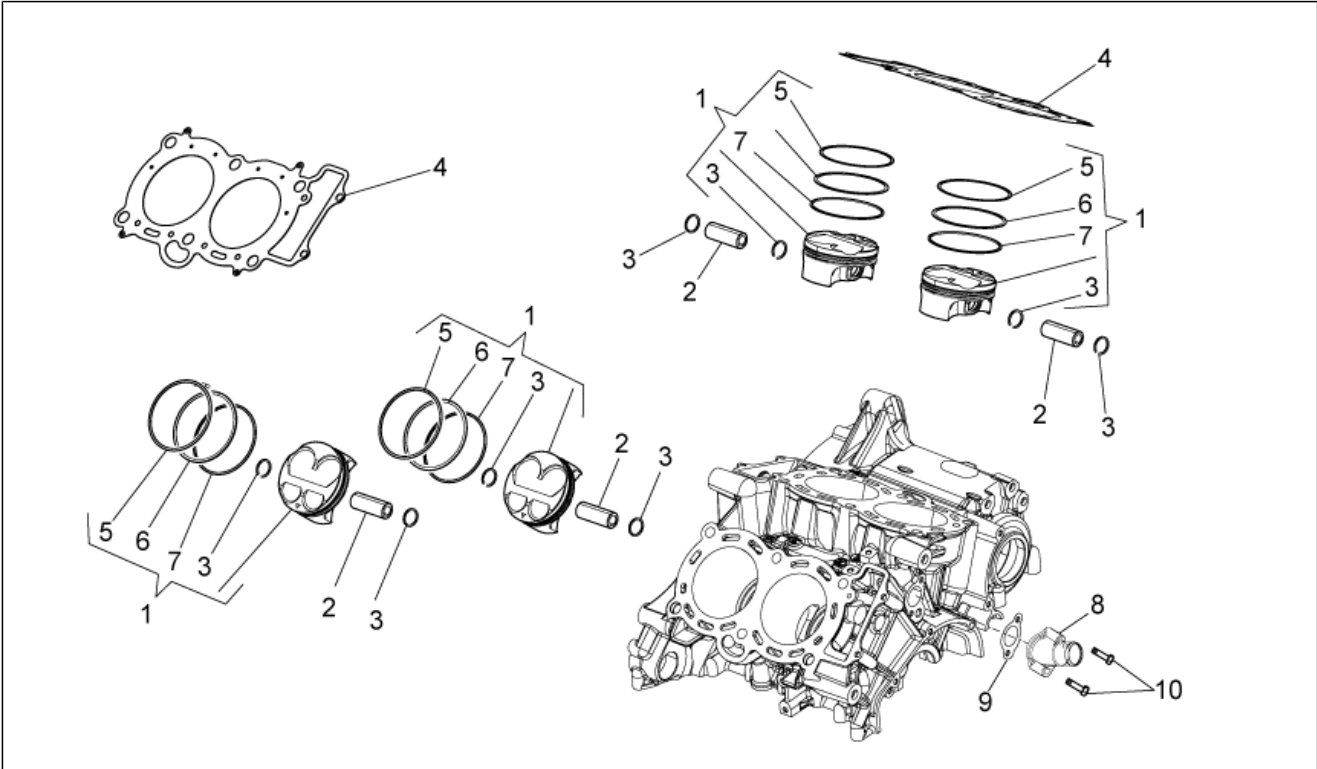
Pos.	Code	Description	Qty	Variants
1	8572555	Drive shaft	1	Technical specification: Up to engine V4-A 3413[A1], Crankshaft with removable sprocket[RE], Mitsubishi Flywheel[VM]
1	B0430675	Crankshaft cpl.	1	Technical specification: From engine V4-A 3414[A2], For DD class connecting rods[B3], Crankshaft with integrated sprocket[RI], Kokusan flywheel[VK]
1	B045412AA	Crankshaft cpl. Cat. AA	1	Technical specification: From engine V4-A 3414[A2], For ZZ/AA/BB class connecting rods[B1], Crankshaft with integrated sprocket[RI], Kokusan flywheel[VK]
1	B045412CC	Crankshaft cpl. Cat. CC	1	Technical specification: From engine V4-A 3414[A2], For CC class connecting rods[B2], Crankshaft with integrated sprocket[RI], Kokusan flywheel[VK]
1	B045412DD	Crankshaft cpl. Cat. DD	1	Technical specification: From engine V4-A 3414[A2], For DD class connecting rods[B3], Crankshaft with integrated sprocket[RI], Kokusan flywheel[VK]
1	B045412FF	Crankshaft cpl. Cat. FF	1	Technical specification: From engine V4-A 3414[A2], For EE/FF/GG class connecting rod[B4], Crankshaft with integrated sprocket[RI], Kokusan flywheel[VK]
2	8976535002	Connecting rod BB 359-362	1	Technical specification: For shafts of AA/BB class[A5]
2	8976535003	Connecting rod CC 356-359	1	Technical specification: For shafts of CC class[A6]
2	8976535004	Connecting rod DD gr.353-356	1	Technical specification: For shafts of DD class[A3]
2	8976535005	Connecting rod EE 350-353	1	Technical specification: For shafts of EE/FF class[A4]
2	B0454754BB	Connecting rod cpl. Cat. BB	1	Technical specification: For shafts of AA/BB class[A5]
2	B0454754CC	Connecting rod cpl. Cat. CC	1	Technical specification: For shafts of CC class[A6]
2	B0454754DD	Connecting rod cpl. Cat. DD	1	Technical specification: For shafts of DD class[A3]
2	B0454754EE	Connecting rod cpl. Cat. EE	1	Technical specification: For shafts of EE/FF class[A4]
3	857115	Connecting rod screw	8	
4	8571170001	Bushing half-shell, red	2	
4	8571170002	Bushing half-shell, blue	2	
4	8571170003	Bushing half-shell, yellow	2	
4	B044724BL	Bushing half-shell, blue	2	

Group	ENGINE
Code	29.39
Description	Drive shaft
Service	1



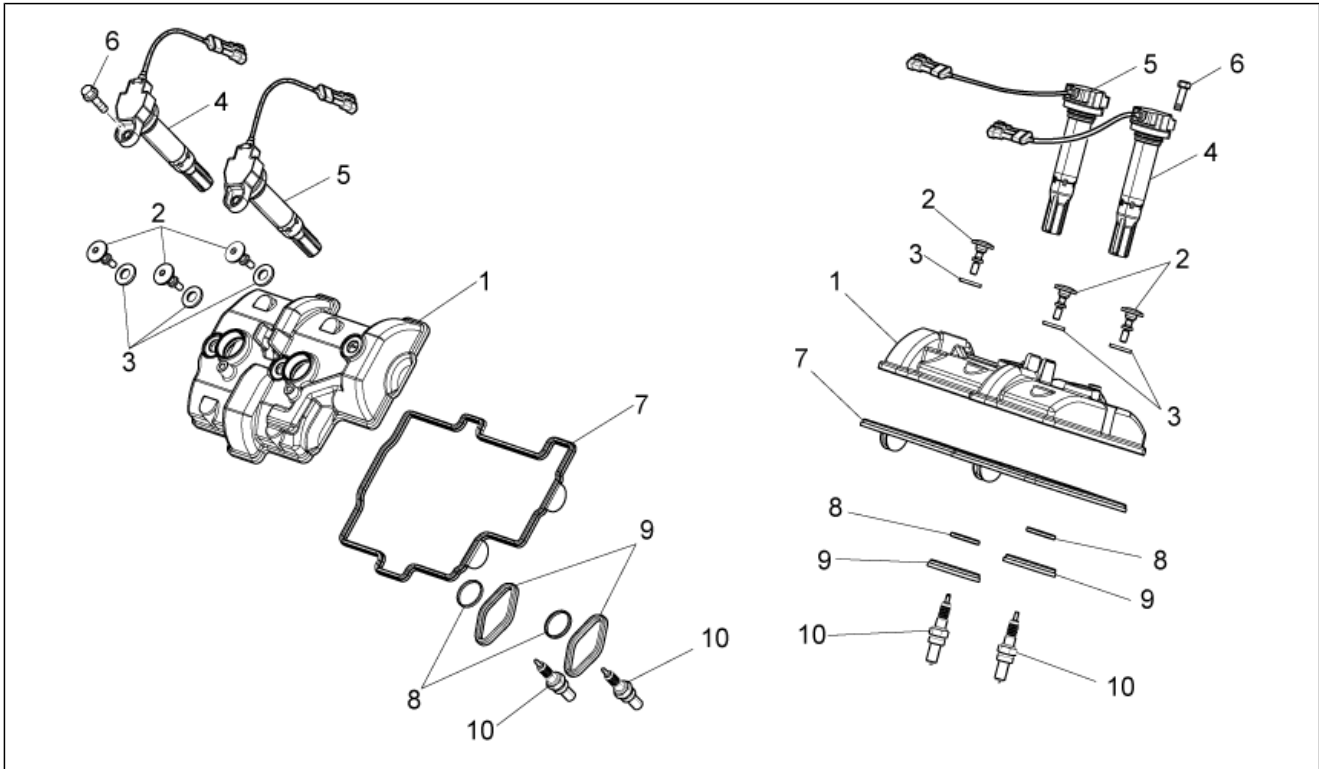
Pos.	Code	Description	Qty	Variants
4	B044724GI	Bushing half-shell, yellow	2	
4	B044724VE	Bearing half-shell, green	2	
5	897478	Washer 12x26.5x3	1	Technical specification: From engine V4-A 3414[A2], Kokusan flywheel[VK]
6	857206	Screw w/ flange M12X1,25X50	1	
7	8571320001	Bushing half-shell, red	4	
7	8571320002	Bushing half-shell, blue	4	
7	8571320003	Bushing half-shell, yellow	4	
8	8571300001	Bushing half-shell, red	2	
8	8571300002	Bushing half-shell, blue	2	
8	8571300003	Bushing half-shell, yellow	2	
9	857201	Cdi magneto assy	1	Technical specification: Up to engine V4-A 3413[A1], Mitsubishi Flywheel[VM]
9	897479	Cdi magneto assy	1	Technical specification: From engine V4-A 3414[A2], Kokusan flywheel[VK]
10	899484	Primary drive gear	1	
11	857121	Ring nut	1	
12	857118	Wheel speed sensor, left front	1	
13	857077	Special screw M8x24	1	
14	857544	Timing gear	1	Technical specification: Up to engine V4-A 3413[A1], Mitsubishi Flywheel[VM]
15	857545	Timing gear	1	Technical specification: Up to engine V4-A 3413[A1], Mitsubishi Flywheel[VM]
16	898092	Ring nut	1	
17	897474	Sprocket spacer	1	Technical specification: From engine V4-A 3414[A2], Kokusan flywheel[VK]

Group	ENGINE
Code	29.40
Description	Cylinder - Piston
Service	1



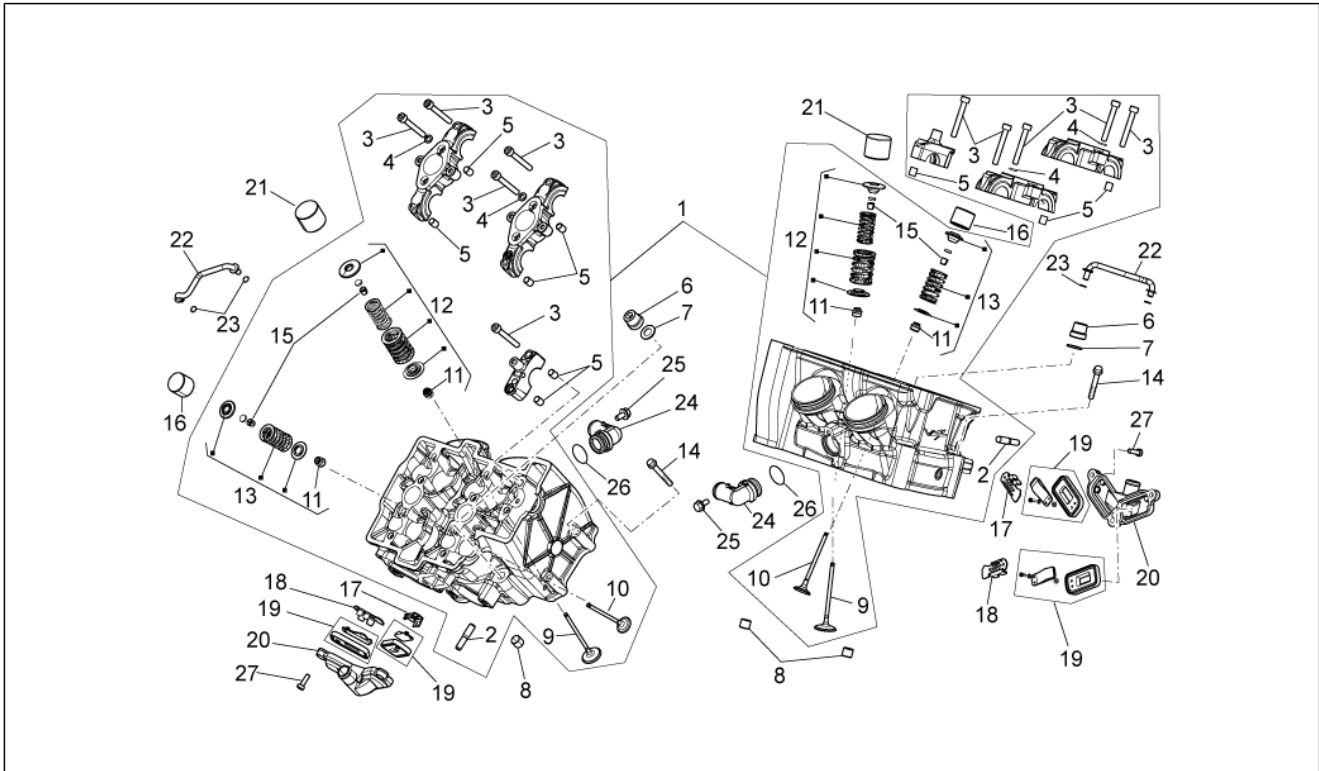
Pos.	Code	Description	Qty	Variants
1	CM227501	Piston assy "A"	4	
1	CM227502	Piston assy "B"	4	
2	857107	Piston pin 17x10x45	4	
3	857108	Stop ring D 17	4	
4	857445	Cylinder head gasket	2	
5	857104	Piston ring R mark	1	
5	899299	Piston ring KDN5 mark	1	Country:Canadian[CA], United States of America[USA]
5	899299	Piston ring KDN5 mark	4	Country:europe[EU], Russia[RU]
6	857105	Piston ring	4	Country:europe[EU]
7	857106	Piston ring	4	
8	857126	Joint	1	
9	857125	Gasket	1	
10	872117	Screw w/ flange	2	

Group	ENGINE
Code	29.41
Description	Valves cover
Service	1



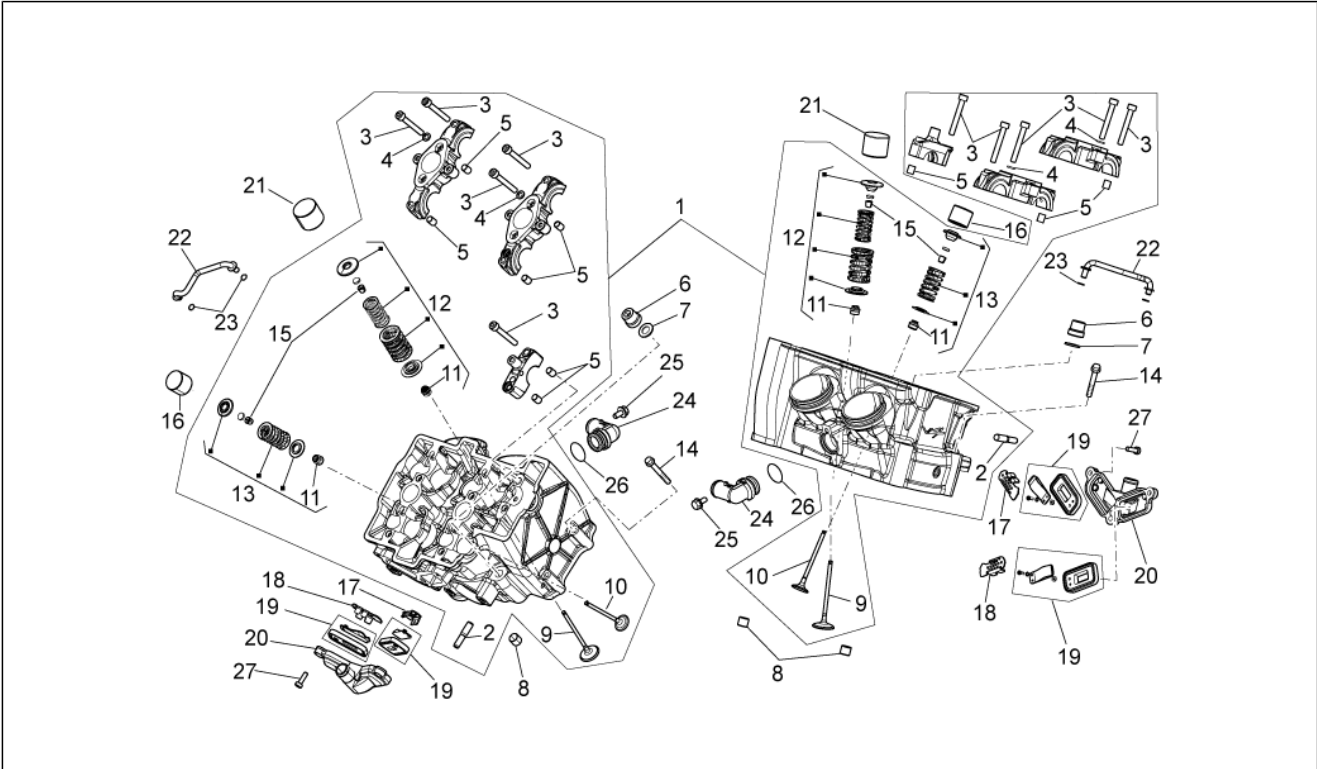
Pos.	Code	Description	Qty	Variants
1	898467	Valves cover	2	
2	857071	Special screw	6	
3	898410	Damper drift	6	
4	857084	HT coil short cable	2	
5	857501	HT coil long cable	2	
6	AP8152277	Screw w/ flange M6x12	4	
7	897443	Valve cover gasket	2	
8	857043	Gasket	2	
9	857074	Gasket	2	
10	B043807	Spark plug NGK CR9EKB	4	

Group	ENGINE
Code	29.42
Description	Cylinder head - valves
Service	1



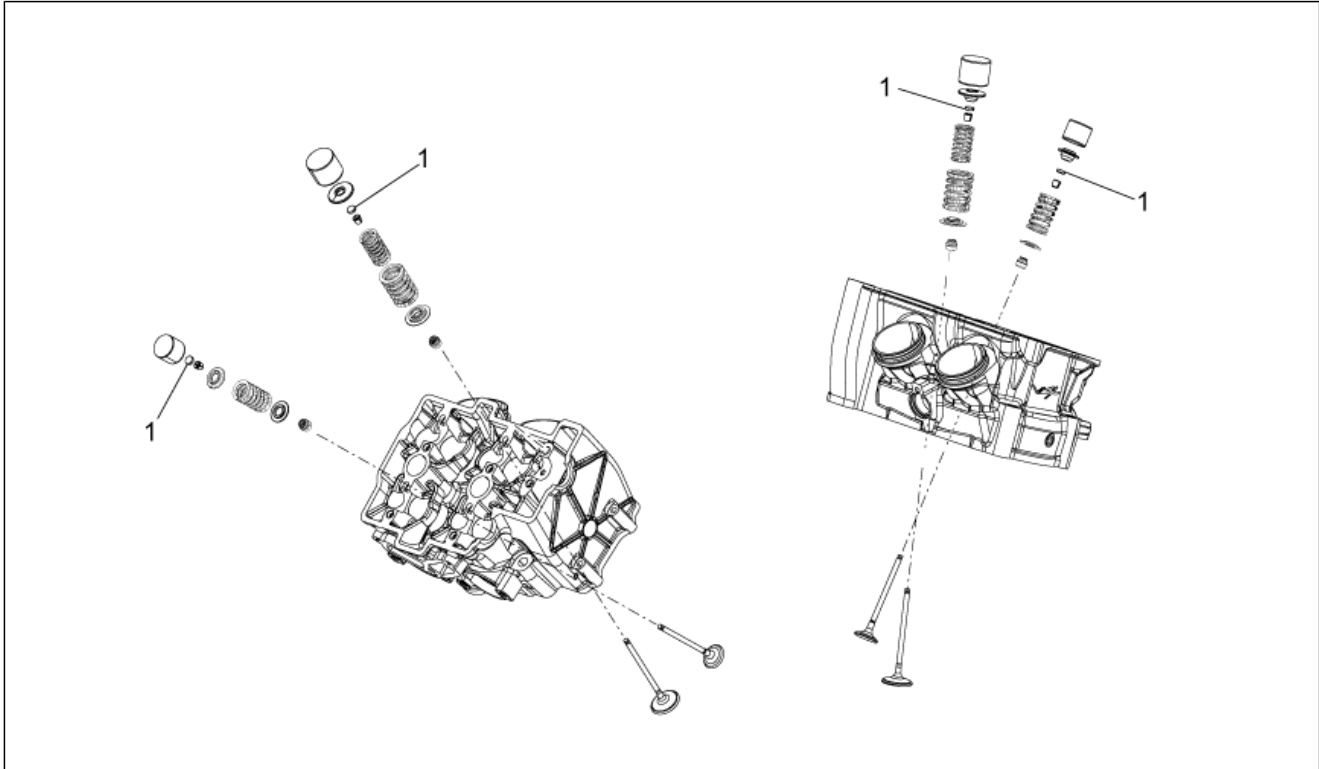
Pos.	Code	Description	Qty	Variants
1	898402	Cylinder head assy.	2	Technical specification: Old valve springs[OM]
1	B0447525	Complete cylinder big head	2	Technical specification: New valve springs[NM]
2	857035	Stud bolt m10x171	8	
3	857085	Hex socket screw M6x45	20	
4	857042	Copper washer	8	
5	411209	Pin	12	
6	897434	Flanged nut M10x1	12	
7	857208	Washer 19 x 10,5 x 1,6	12	
8	825597	Pin 11,8X10	4	
9	8570224	Intake valve 32 mm AISA	8	
10	857023	Exhaust valve 26mm	8	
11	436438	Valve gasket ring	16	
12	2R000037	Intake valve spring kit	1	Technical specification: Blue intake spring[BLU], Cap with circular groove[CG], New valve springs[NM], Red coloured exhaust spring[RS]
12	2R000041	Intake valve spring kit	1	Technical specification: Blue intake spring[BLU], Yellow exhaust spring[GL], Old valve springs[OM], Cap without circular groove[SG]
13	2R000038	Exhaust valve spring kit	1	Technical specification: Cap with circular groove[CG], New valve springs[NM], Red coloured exhaust spring[RS]
13	2R000042	Exhaust valve spring kit	1	Technical specification: Yellow exhaust spring[GL], Old valve springs[OM], Cap without circular groove[SG]
14	478895	Screw w/ flange	4	
15	857024	Valve half-cone	32	
16	857067	Valve lifter bucket	8	
17	857046	Spark arrester	2	
18	857047	Spark arrester	2	
19	857045	Reed valve	4	
20	857044	Cover reed valve	2	

Group	ENGINE
Code	29.42
Description	Cylinder head - valves
Service	1



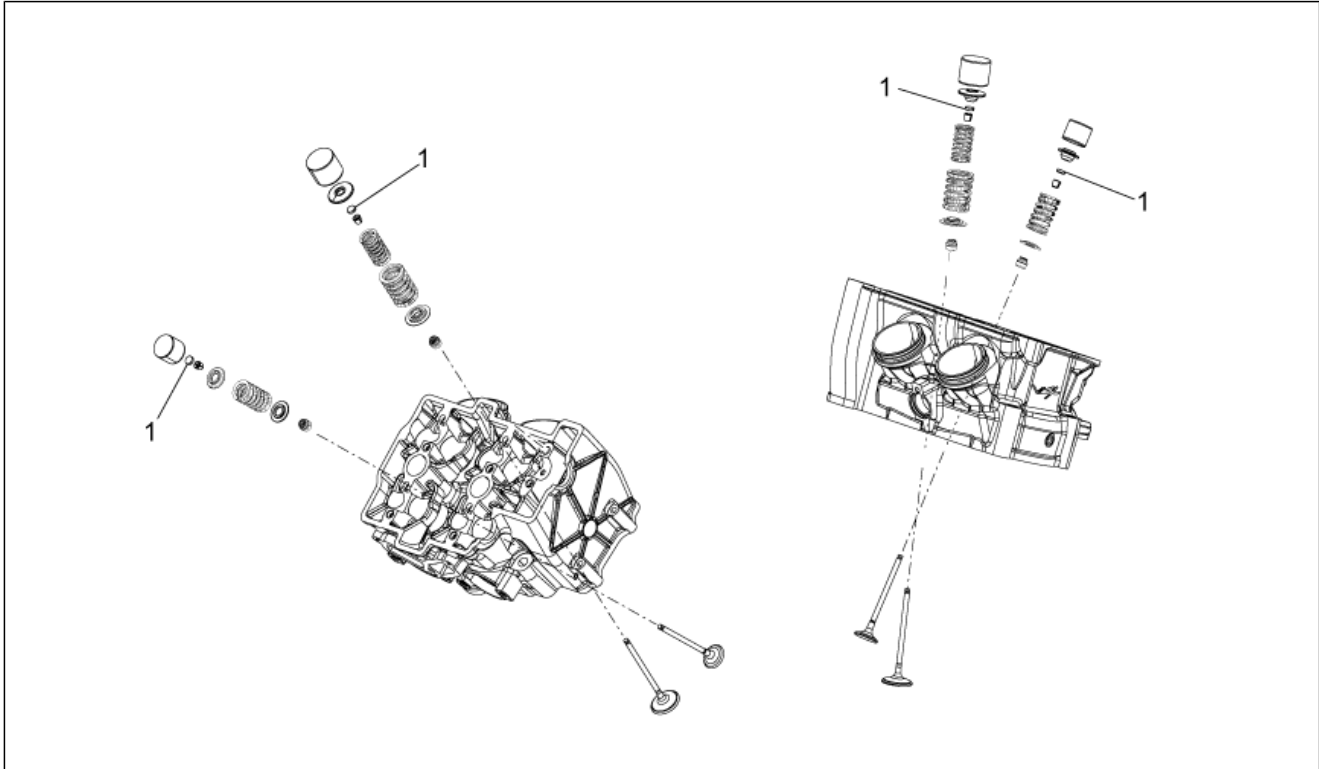
Pos.	Code	Description	Qty	Variants
21	857066	Valve lifter bucket	8	
22	857017	Oil sprayer pipe	2	
23	224035	O-ring	4	
24	857016	Angular union	2	
25	857082	Screw w/ flange M 6x12	2	
26	857083	O-ring	2	
27	857048	screw M5x16	6	

Group	ENGINE
Code	29.43
Description	Valves pads
Service	1



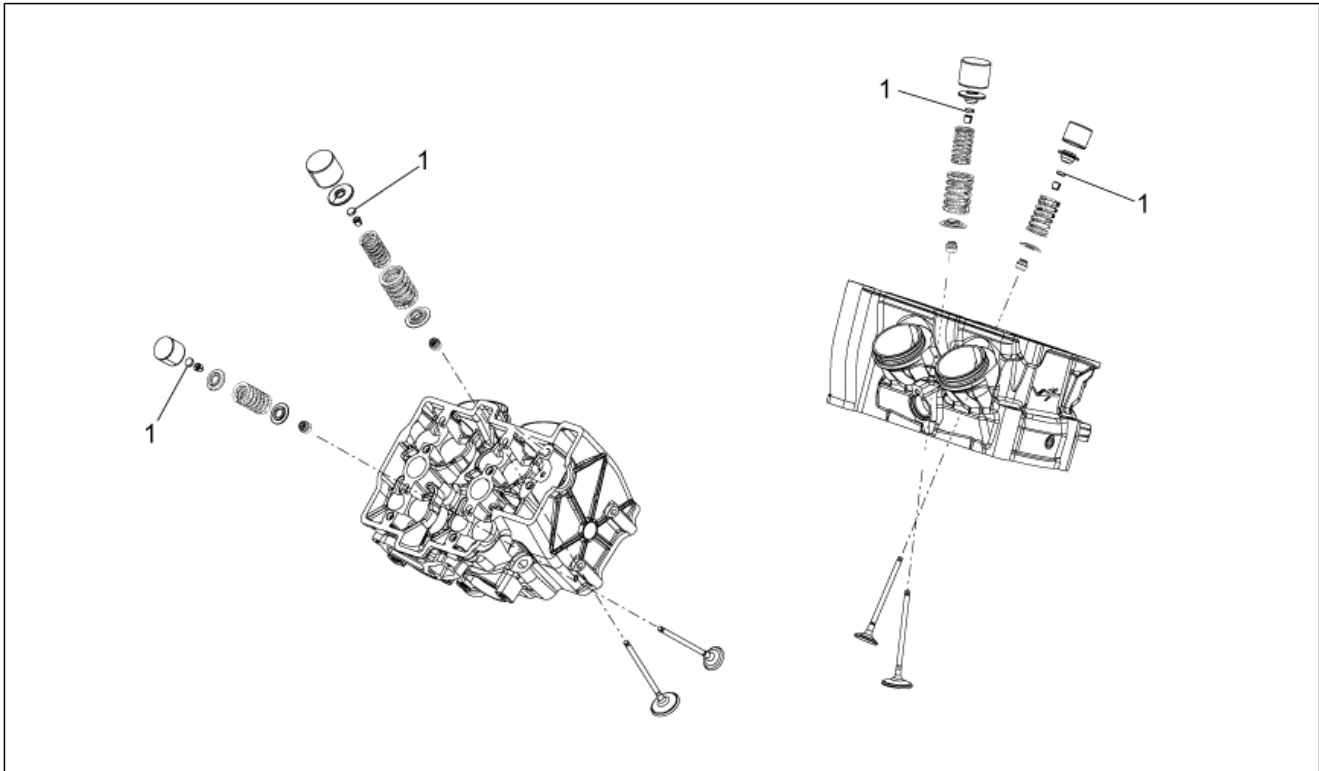
Pos.	Code	Description	Qty	Variants
1	CM223401	Pad 1,75	1	
1	CM223402	Pad 1,80	1	
1	CM223403	Pad 1,85	1	
1	CM223404	Pad 1,90	1	
1	CM223405	Pad 1,95	1	
1	CM223406	Pad 2	1	
1	CM223407	Pad 2,05	1	
1	CM223408	Pad 2,1	1	
1	CM223409	Pad 2,15	1	
1	CM223410	Pad 2,2	1	
1	CM223411	Pad 2,25	1	
1	CM223412	Pad 2,3	1	
1	CM223413	Pad 2,35	1	
1	CM223414	Pad 2,4	1	
1	CM223415	Pad 2,45	1	
1	CM223416	Pad 2,50	1	
1	CM223417	Pad 2,55	1	
1	CM223418	Pad 2,6	1	
1	CM223419	Pad 2,65	1	
1	CM223420	Pad 2,7	1	
1	CM223421	Pad 2,75	1	
1	CM223422	Pad 2,8	1	
1	CM223423	Pad 2,85	1	
1	CM223424	Pad 2,9	1	
1	CM223425	Pad 2,95	1	
1	CM223426	Pad 3	1	
1	CM223427	Pad 3,05	1	
1	CM223428	Pad 3,10	1	

Group	ENGINE
Code	29.43
Description	Valves pads
Service	1



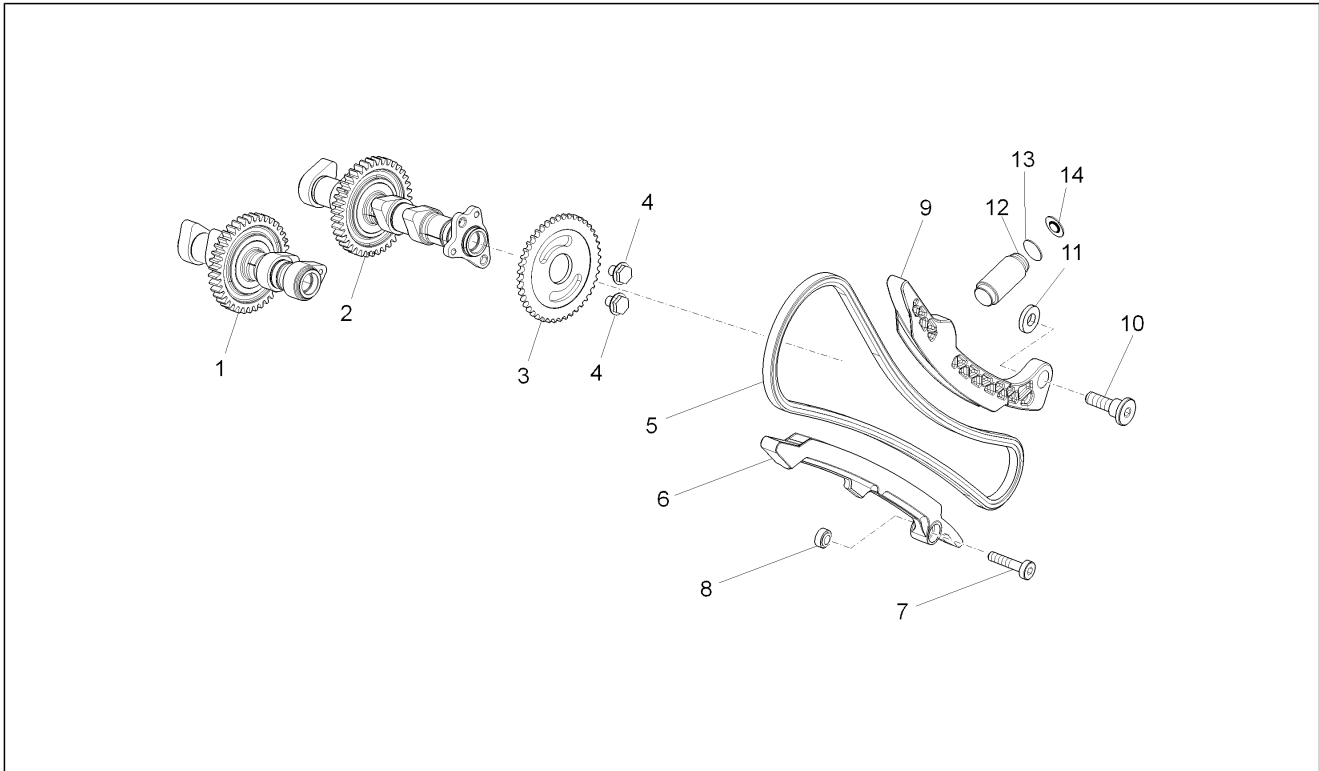
Pos.	Code	Description	Qty	Variants
1	CM223429	Pad 3,15	1	
1	CM228002	Pad 1,77	1	
1	CM228004	Pad 1,82	1	
1	CM228006	Pad 1,87	1	
1	CM228008	Pad 1,92	1	
1	CM228010	Pad 1,97	1	
1	CM228012	Pad 2,02	1	
1	CM228014	Pad 2,07	1	
1	CM228016	Pad 2,12	1	
1	CM228018	Pad 2,17	1	
1	CM228020	Pad 2,22	1	
1	CM228022	Pad 2,27	1	
1	CM228024	Pad 2,32	1	
1	CM228026	Pad 2,37	1	
1	CM228028	Pad 2,42	1	
1	CM228030	Pad 2,47	1	
1	CM228032	Pad 2,52	1	
1	CM228034	Pad 2,57	1	
1	CM228036	Pad 2,62	1	
1	CM228038	Pad 2,67	1	
1	CM228040	Pad 2,72	1	
1	CM228042	Pad 2,77	1	
1	CM228044	Pad 2,82	1	
1	CM228046	Pad 2,87	1	
1	CM228048	Pad 2,92	1	
1	CM228050	Pad 2,97	1	
1	CM228052	Pad 3,02	1	
1	CM228054	Pad 3,07	1	

Group	ENGINE
Code	29.43
Description	Valves pads
Service	1



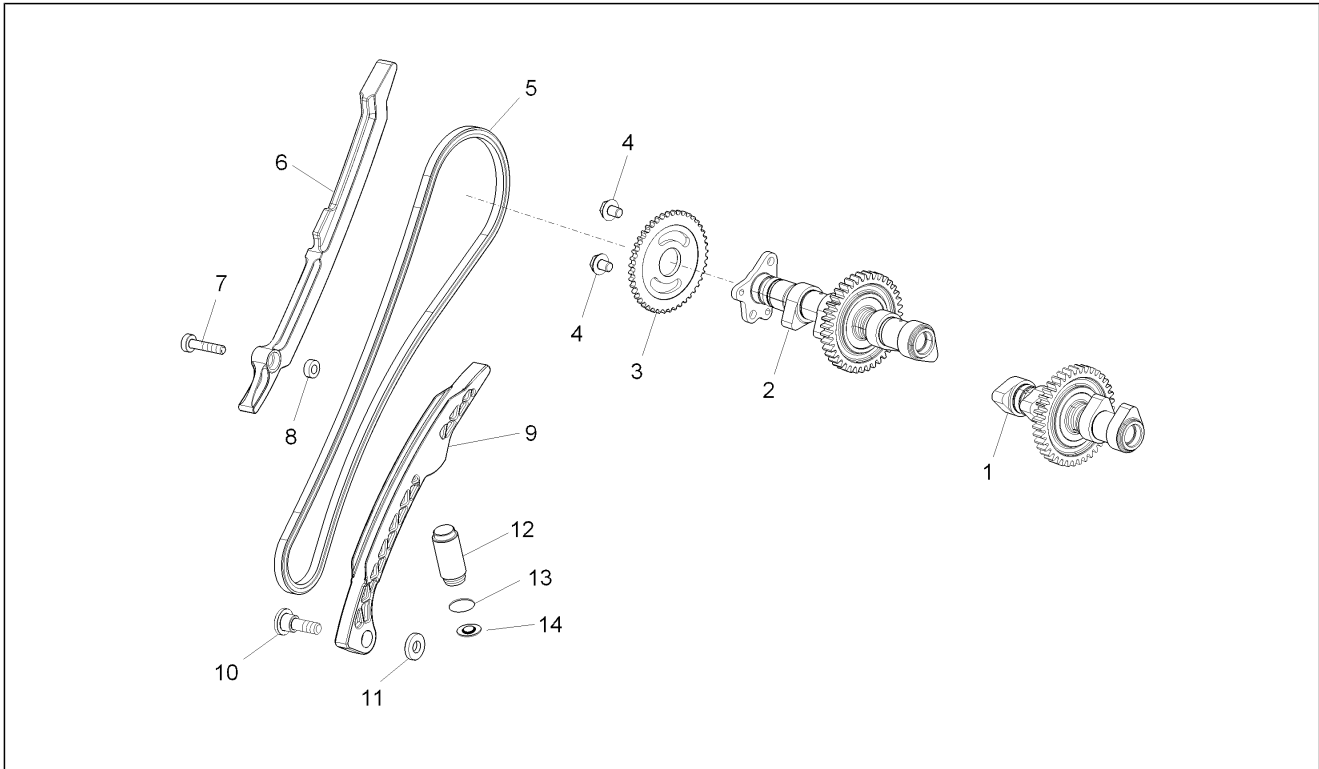
Pos.	Code	Description	Qty	Variants
1	CM228056	Pad 3,12	1	

Group	ENGINE
Code	29.44
Description	Front cylinder timing system
Service	1



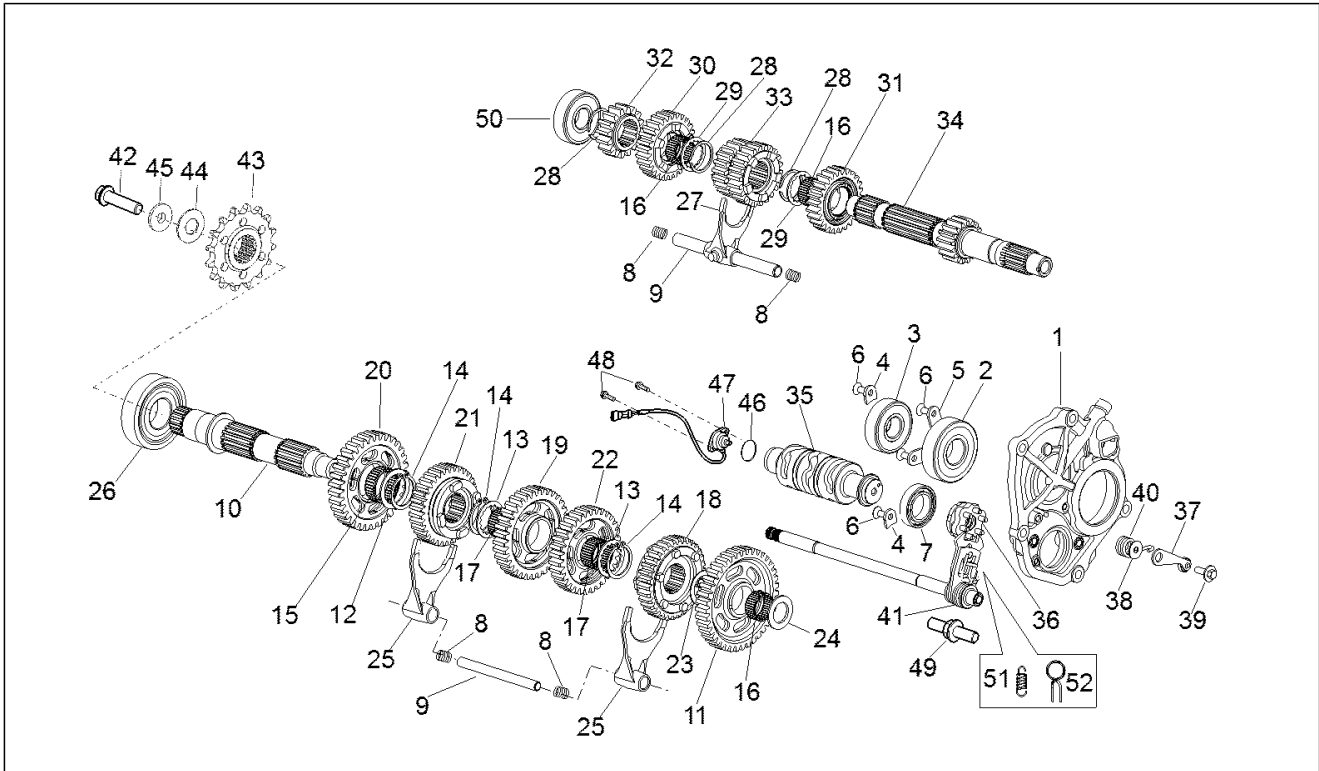
Pos.	Code	Description	Qty	Variants
1	8574705	Exhaust camshaft	1	
2	857004	Intake camshaft	1	
3	857009	Timing system gear Z=44	1	
3	857546	Timing system gear Z=44	1	
4	857008	Screw w/ flange M 8x10,3	2	
5	857097	Camshaft chain	1	
5	897444	Driving chain	1	
6	857100	Chain guide plate	0	
6	857538	Chain guide plate	1	
7	857476	Special screw M6x18	1	
8	857477	Bushing	1	
9	857099	Chain tensioner sliding block	1	
9	857539	Chain tensioner sliding block	1	
10	857094	Special screw M8	1	
11	857096	Washer 18,5x8,5x3,3	1	
12	857098	Chain stretching drive	1	
13	857176	O-ring	1	
14	B045476	Washer 15x6x2	1	

Group	ENGINE
Code	29.45
Description	Rear cylinder timing system
Service	1



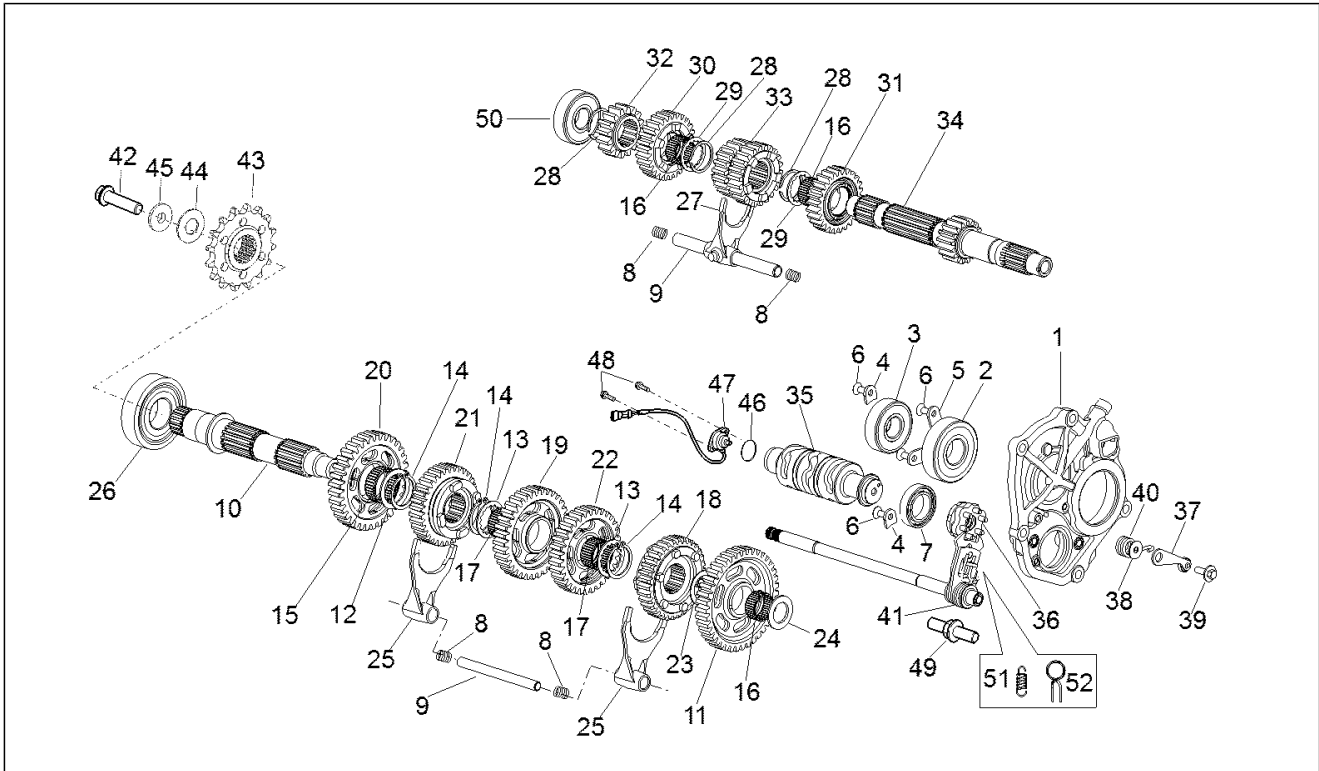
Pos.	Code	Description	Qty	Variants
1	8574715	Exhaust camshaft	1	
2	857004	Intake camshaft	1	
3	857009	Timing system gear Z=44	1	
3	857546	Timing system gear Z=44	1	
4	857008	Screw w/ flange M 8x10,3	2	
5	857097	Camshaft chain	1	
5	897444	Driving chain	1	
6	857100	Chain guide plate	1	
6	857538	Chain guide plate	1	
7	857476	Special screw M6x18	1	
8	857477	Bushing	1	
9	857099	Chain tensioner sliding block	1	
9	857539	Chain tensioner sliding block	1	
10	857094	Special screw M8	1	
11	857096	Washer 18,5x8,5x3,3	1	
12	857098	Chain stretching drive	1	
13	857176	O-ring	1	
14	B045476	Washer 15x6x2	1	

Group	ENGINE
Code	29.46
Description	Gear box
Service	1



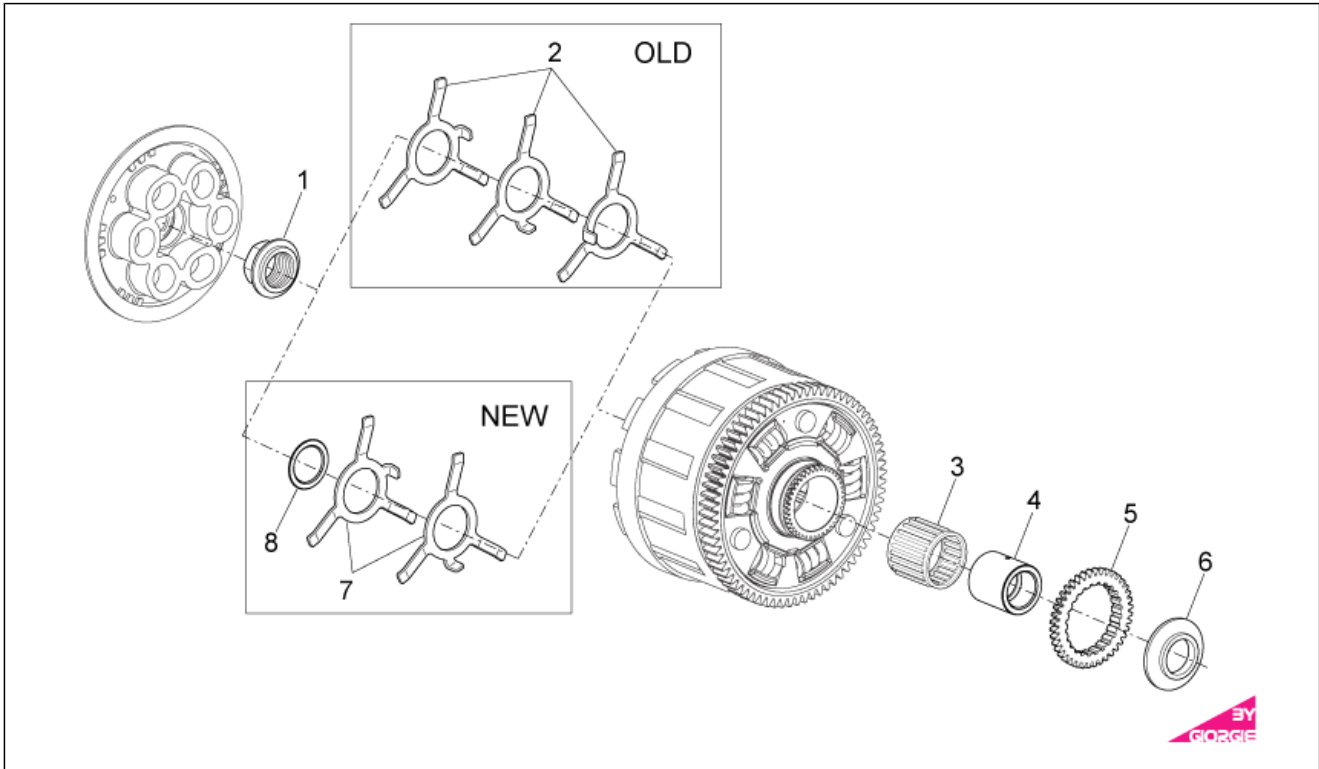
Pos.	Code	Description	Qty	Variants
1	857268	Maintenance cambio	1	
2	898634	Ball bearing 25x62x17	1	
3	898635	Ball bearing 20x52x15	1	
4	AP9150145	Check bearing plate	1	
5	857271	Check bearing plate	2	
6	AP8152166	screw M6x16	3	
7	857250	Ball bearing 25x42x9	1	
8	857175	Spring	4	
9	857284	Fork shaft	2	
10	857236	Driven shaft	1	
11	897458	1st wheel gear Z=38	1	
12	857308	Washer 30x40x1,5	1	
13	857247	Clearance washer	2	
14	857248	Circlip D30	3	
15	857309	Roller cage 30x35x13	1	
16	857233	Roller cage 24x28x13	3	
17	857244	Roller cage 26x30x15,6	2	
18	857241	5th wheel gear Z=34	1	
19	897460	3rd wheel gear	1	
20	897459	2nd wheel gear	1	
21	857242	6th wheel gear Z=33	1	
22	857240	4th wheel gear Z=32	1	
23	857246	Washer 24x35x1,5	1	
24	857245	Washer 20,1x33,5x2,5	1	
25	857328	Fork	2	
26	898633	Ball bearing 30X72X19	1	
27	857185	Fork	1	
28	857232	Washer for shafts	3	

Group	ENGINE
Code	29.46
Description	Gear box
Service	1



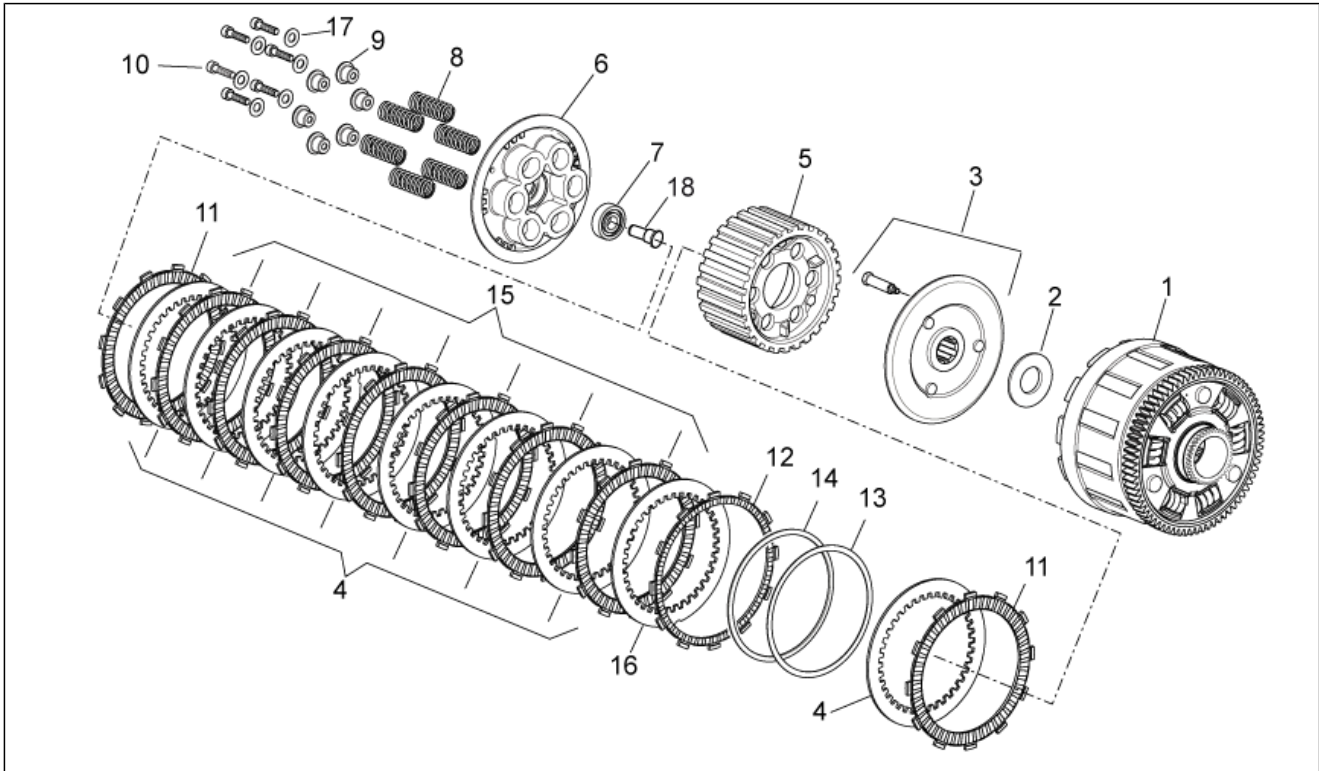
Pos.	Code	Description	Qty	Variants
29	857234	Clearance washer	2	
30	857231	6th pinion gear Z=27	1	
31	857230	5th pinion gear Z=26	1	
32	897455	2nd pinion gear Z=18	1	
33	897456	3rd-4th pinion gear Z=17/22	1	
34	897454	Primary gear shaft	1	
35	857251	Shift cam	1	
36	857123	Index washer	1	
37	857274	Index assy. lever	1	
38	AP9150051	Washer D6,3x18x1	1	
39	AP9150006	Screw w/ flange M6x15	1	
40	857278	Spring	1	
41	857253	Gear shaft+spring cpl.	1	
42	AP8152318	Screw w/ flange M10x35	3	
43	890827	Pinion Z=16	1	
44	854909	Belleville spring	1	
45	854951	T bush	2	
46	857279	O-ring	1	
47	857265	Gear position sensor	1	
48	AP8152280	Screw w/ flange M6x25	2	
49	899599	Threaded pin	1	
50	898636	Ball bearing 20x52x15	1	
51	857260	Fasten spring	1	
52	857261	Spring	1	

Group	ENGINE
Code	29.47
Description	Clutch I
Service	1



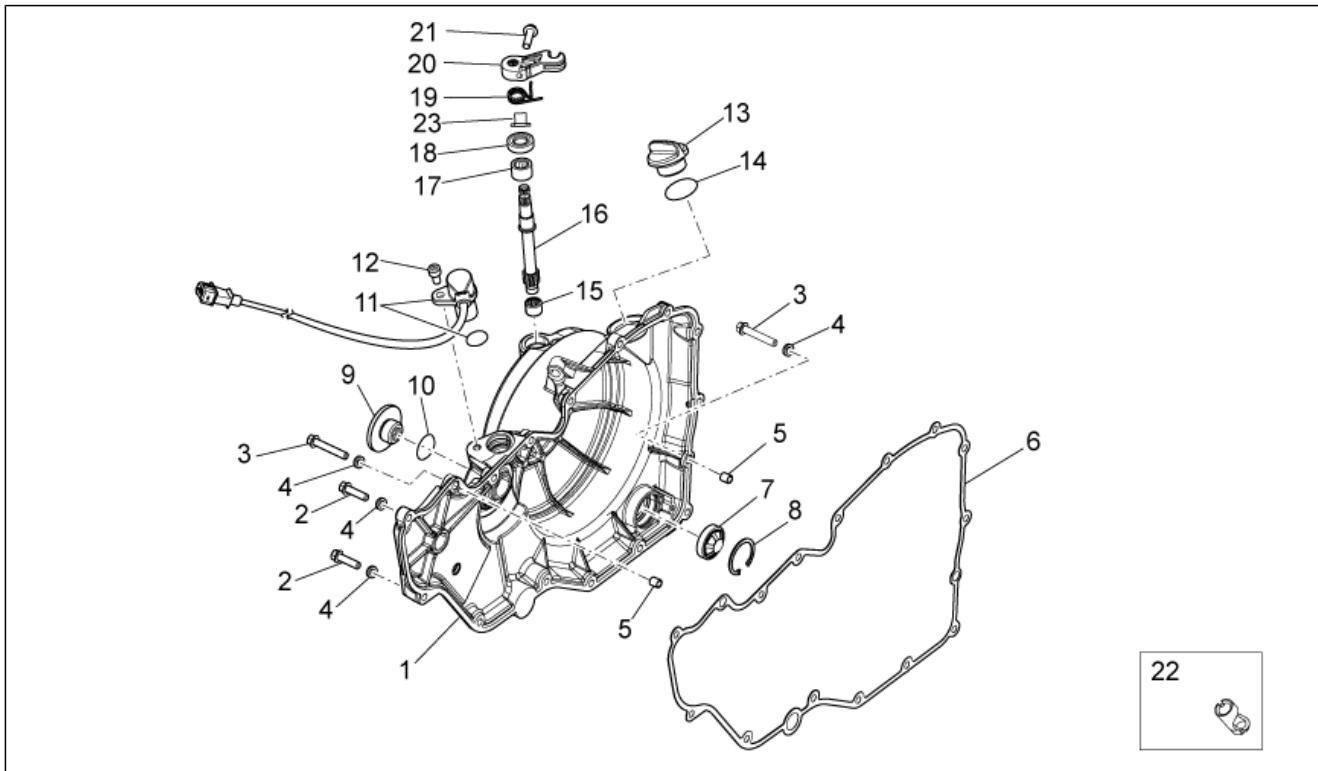
Pos.	Code	Description	Qty	Variants
1	893767	Nut	1	
2	893768	Belleville spring sp.0,8	3	
3	893769	Roller cage 35x40x35,8	1	
4	893770	Spacer	1	
5	894821	Oil pump gear Z=39	1	
6	893772	Washer 58x25x8	1	
7	B044474	Belleville spring sp.0,9	2	
8	B044365	Washer 31x44x0.9	1	

Group	ENGINE
Code	29.48
Description	Clutch II
Service	1



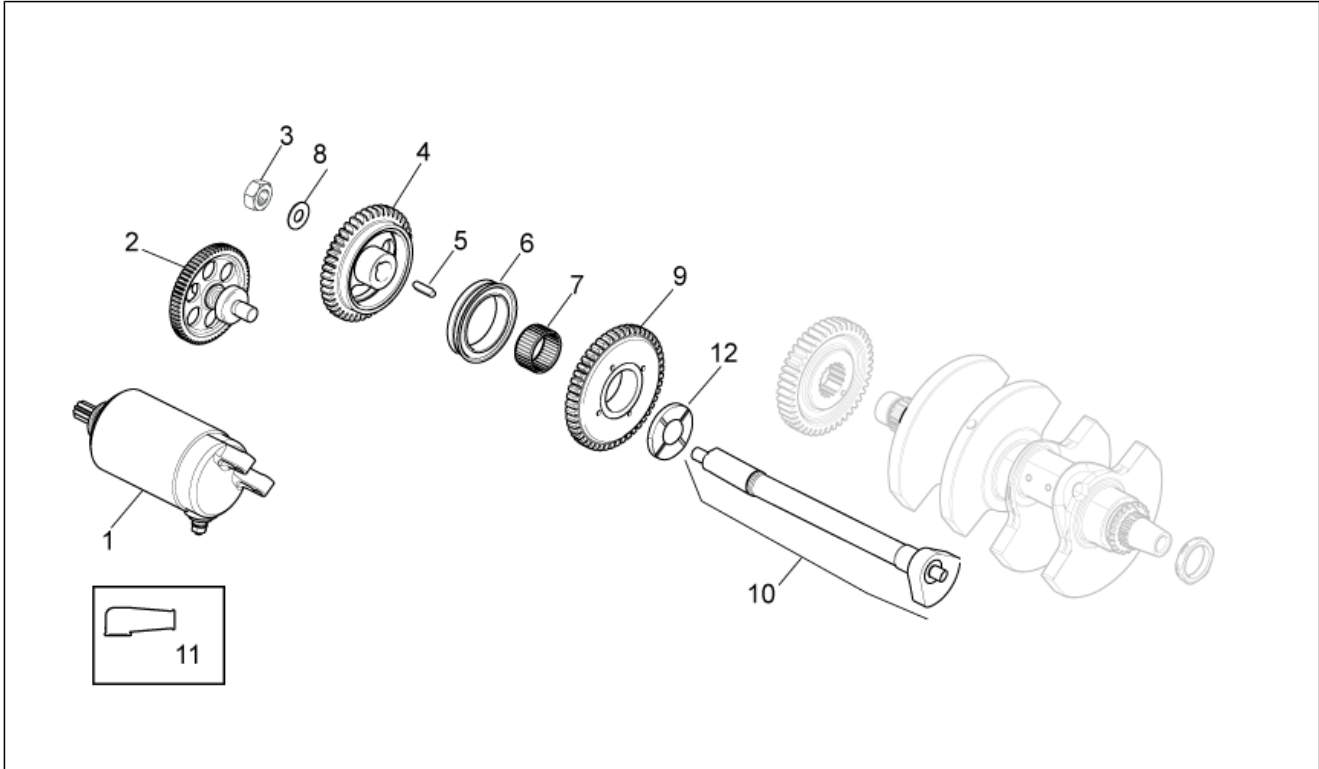
Pos.	Code	Description	Qty	Variants
1	893773	Clutch housing, complete	1	
2	893774	Washer 25,5x47x2,5	1	
3	894794	Support assy.	1	
4	893783	Driven clutch disc	8	
5	893784	Aluminium clutch drum	1	
6	893940	Clutch pressure plate	1	
7	893941	Bearing	1	
8	893777	Clutch spring	6	
9	893778	Spring seat	6	
10	893779	Hex socket screw M6	6	
11	893780	Driving clutch disc	2	
12	893942	Clutch disc	1	
13	893943	Spring	1	
14	893944	Seat judder spring	1	
15	893782	Driving clutch disc	7	
16	899483	Driven clutch disc	1	
17	AP8150014	Washer 6,4x12,5*	6	
18	857317	Pawl clutch	1	

Group	ENGINE
Code	29.49
Description	Clutch cover
Service	1



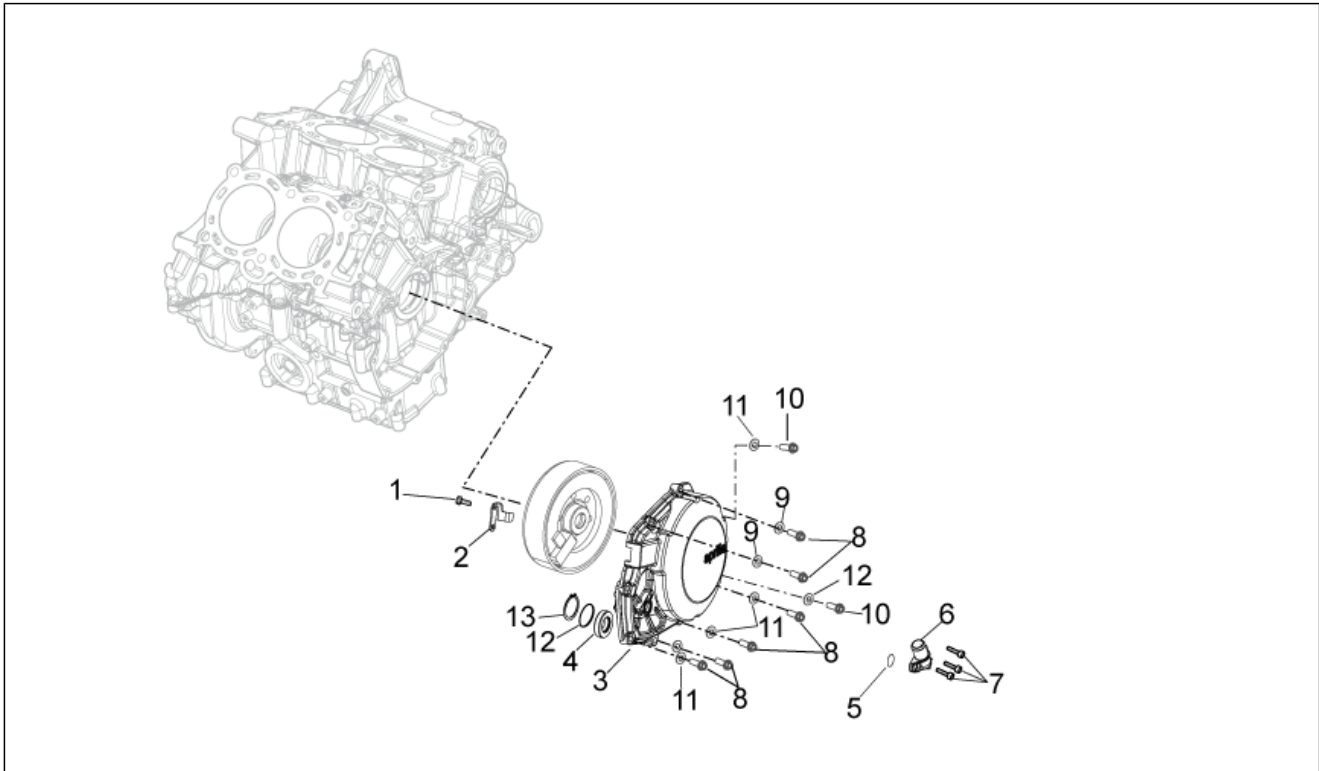
Pos.	Code	Description	Qty	Variants
1	8571775	Clutch cover	1	
2	857429	Screw w/ flange	16	
3	857436	Screw w/ flange	2	
4	AP8150429	Spring washer 6,4x11x0,5*	18	
5	411209	Pin	2	
6	857451	Gasket	1	
7	485693	Oil level indicator	1	
8	873804	Snap ring	1	
9	857070	Inspection cover	1	
10	857078	O-ring	1	
11	6389915	Phase/revolution sensor	1	
12	122675	Hex socket screw	1	
13	974229	Oil load plug	1	
14	AP8120190	O-ring 3075	1	
15	857318	Cage à rouleaux	1	
16	857498	Shaft pin d.12	1	
17	857312	Cage à rouleaux 12X18X12	1	
18	847075	Oil seal 12x20	1	
18	857127	Gasket ring 12x22	1	
19	857461	Clutch lever return spring	1	
20	857314	Clutch control lever	1	
21	AP8152279	Screw w/ flange M6x20	1	
22	B043542	Clutch control pin bushing	1	
23	857460	T bush	1	

Group	ENGINE
Code	29.50
Description	Ignition unit
Service	1



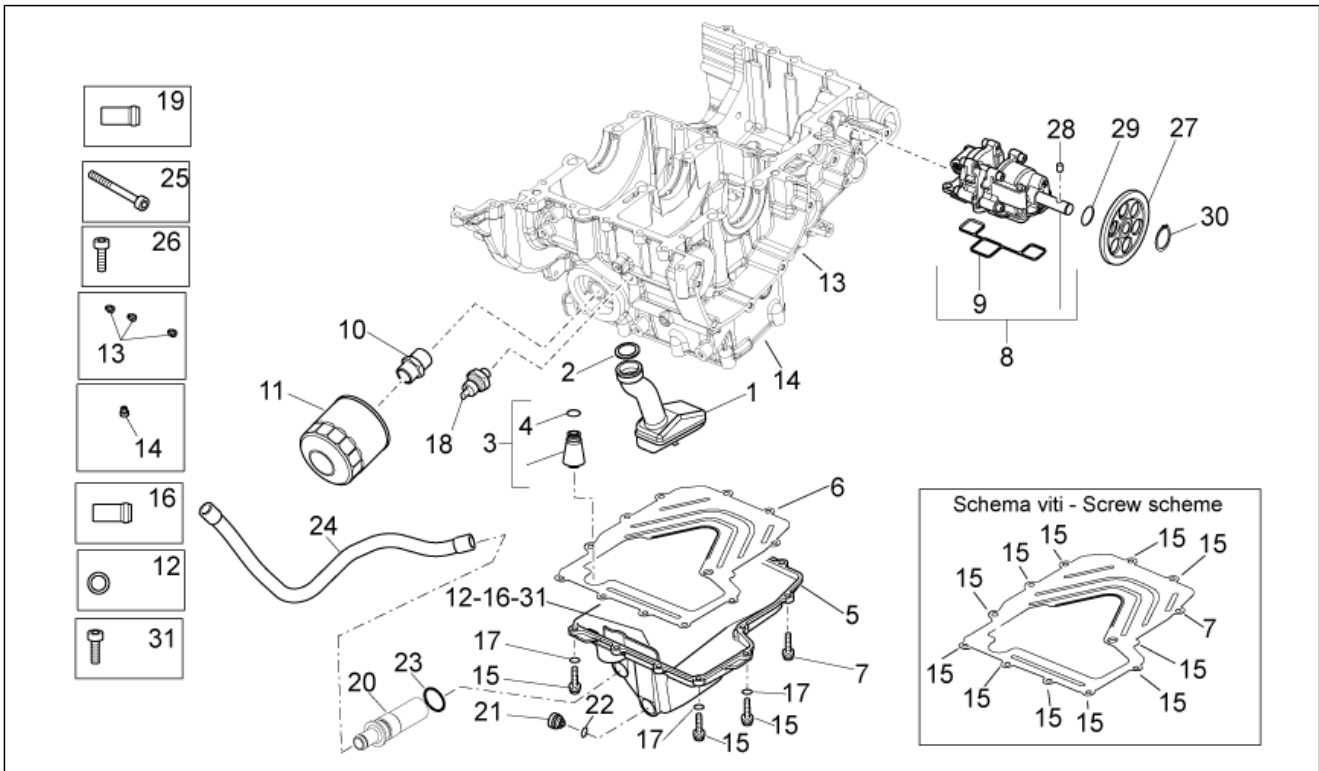
Pos.	Code	Description	Qty	Variants
1	857287	Starter motor black "Denso"	1	
2	857289	Electric starter gear Z=12/64	1	
3	897434	Flanged nut M10x1	1	
4	857301	Balance shaft Gear Z=44	1	
5	857298	Tab	1	
6	825431	Complete freewheel	1	
7	857290	Roller cage 30X35X17	1	
8	235779	Washer	1	
9	857288	""Denso"" freewheel gear" z=49	1	
10	897446	Balance shaft	1	
11	895316	Cap	1	
12	897450	Fifth wheel	1	

Group	ENGINE
Code	29.51
Description	Cover
Service	1



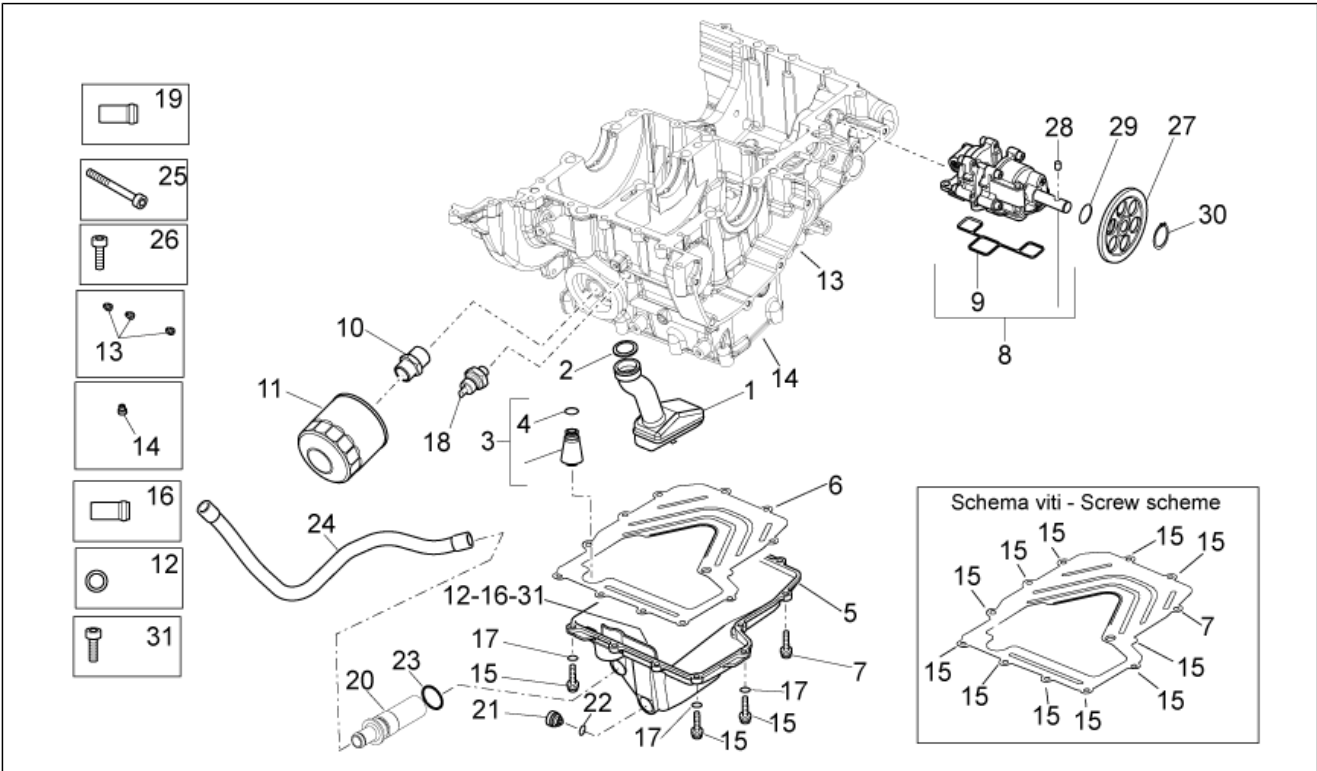
Pos.	Code	Description	Qty	Variants
1	AP8152272	Screw w/ flange M5x12	1	
2	857204	Bracket	1	
3	898466	Cover	1	
4	898268	Gasket ring 18x30x7	1	
5	857176	O-ring	1	
6	85746200XEV	***FLYWHEEL COVER	1	
7	857048	screw M5x16	3	
8	871094	Screw w/ flange	6	
9	857435	Washer	2	
10	872117	Screw w/ flange	2	
11	AP8150429	Spring washer 6,4x11x0,5*	6	
12	898269	Clearance washer	1	
13	006630	Snap ring	1	

Group	ENGINE
Code	29.52
Description	Lubrication
Service	1



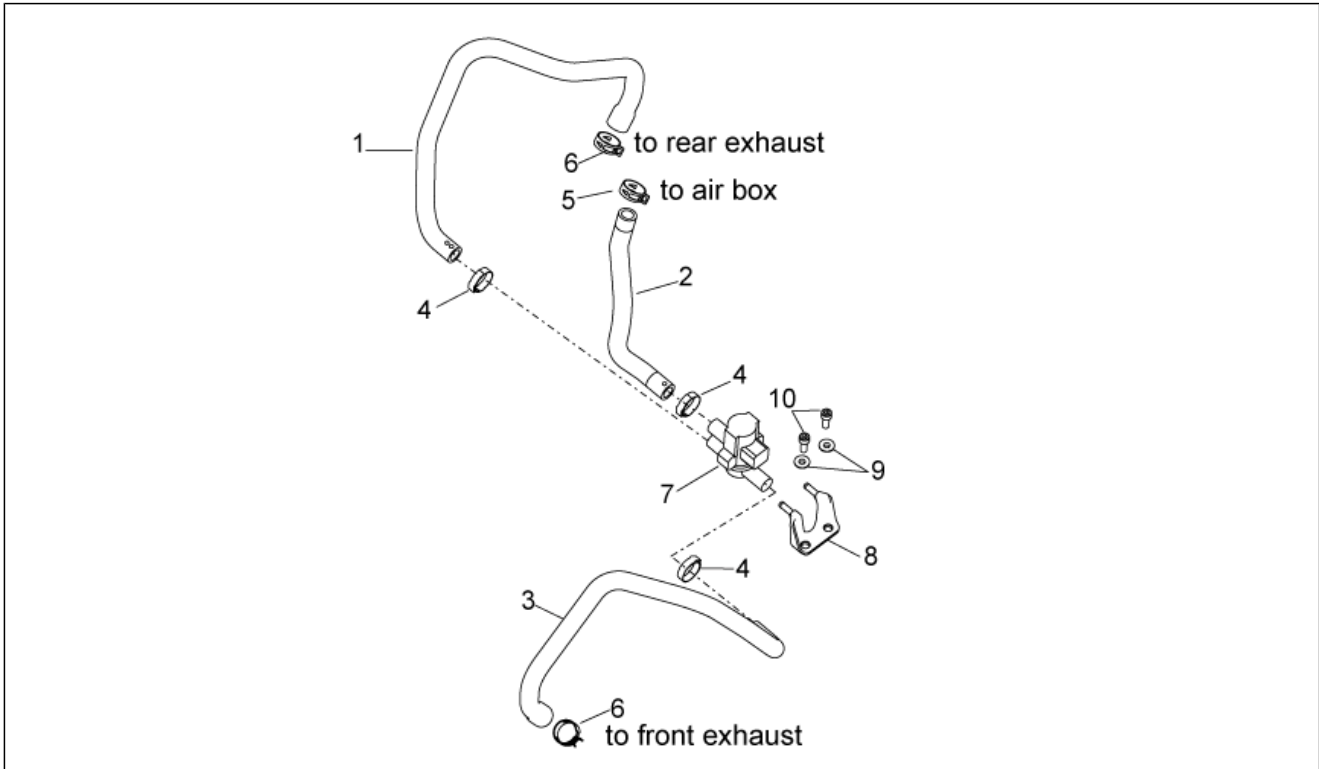
Pos.	Code	Description	Qty	Variants
1	857502	Oil strainer	1	
2	857167	O-ring	1	
3	857540	Oil valve cpl.	1	
4	857176	O-ring	1	
5	857535	Motor oil cup	1	
6	857497	Gasket new type	1	
7	840893	Hex socket screw M6x25	1	
8	857152	Oil pump assy.	1	
9	857189	O-ring	1	
10	857168	Oil filter union	1	
11	857187	Oil filter	1	
12	AP8144012	O-ring 121	1	
13	857143	Jet	3	
14	CM101711	Main jet 60	1	
15	289731	Screw w/ flange M6x30	11	
16	857439	Oil hose union	1	
17	AP8150429	Spring washer 6,4x11x0,5*	11	
18	641541	Oil pressure sensor	1	
19	846019	Connection	1	
20	857439	Oil hose union	1	
21	857184	Cover	1	
22	857147	Gasket OR	1	
23	AP8144012	O-ring 121	1	
24	858808	pipe blow-by	1	
25	277330	Hex socket screw	1	
26	709099	Hex socket screw M6x16	5	
27	857489	Oil pump gear Z=36	1	
28	857192	Roller 5X19,8	1	

Group	ENGINE
Code	29.52
Description	Lubrication
Service	1



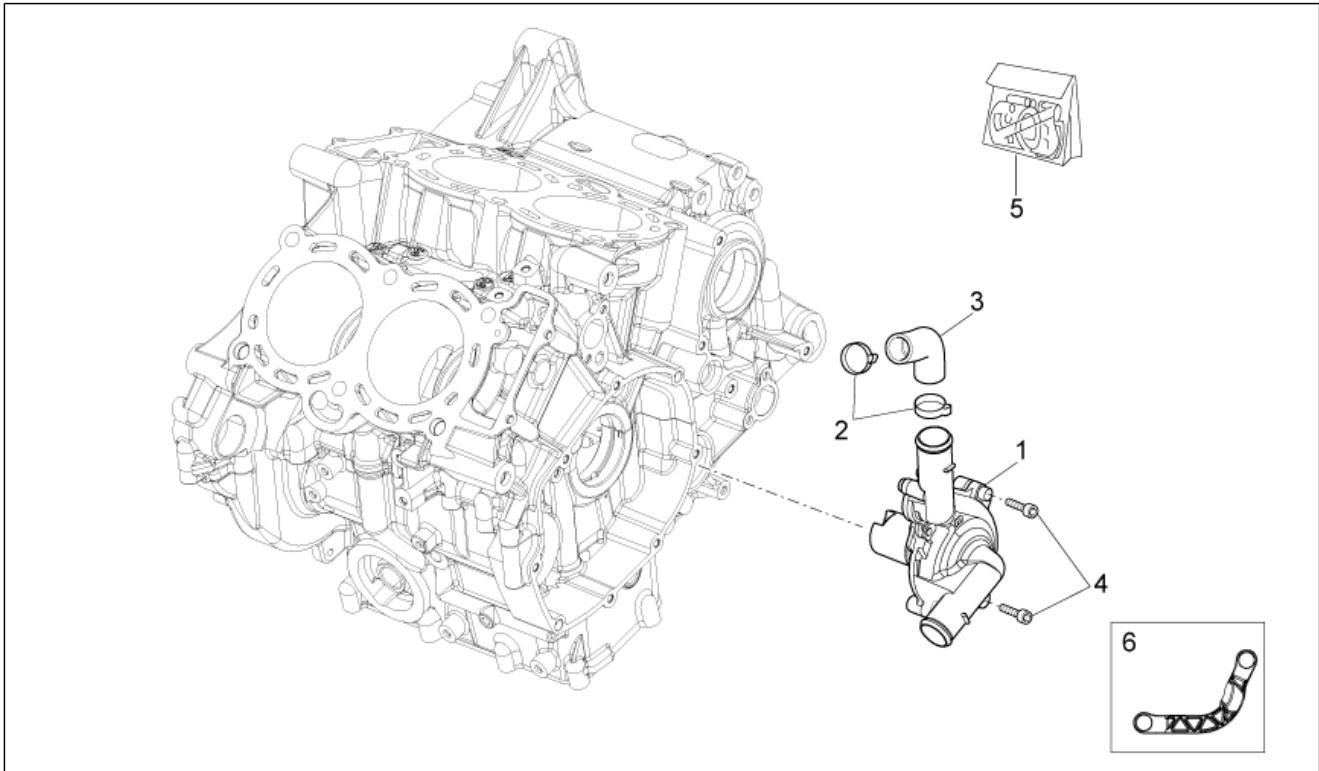
Pos.	Code	Description	Qty	Variants
29	857193	Safety washer D=21	1	
30	006412	Circlip	1	
31	AP8150044	Hex socket screw M6x20	1	

Group	ENGINE
Code	29.53
Description	Secondary air
Service	1



Pos.	Code	Description	Qty	Variants
1	856631	pipe	1	
2	856632	pipe	1	
3	856630	pipe	1	
4	CM001905	Hose clamp	3	
5	CM002916	Hose clamp	1	
6	CM225401	Hose clamp	2	
7	857181	SAS valve	1	
8	858727	Bracket	1	
9	AP8121032	Bush	2	
10	AP8150137	Hex socket screw	2	

Group	ENGINE
Code	29.54
Description	Water pump
Service	1



Pos.	Code	Description	Qty	Variants
1	857209	Water pump assy	1	
2	890931	Hose clamp	2	
3	857222	Delivery water pipe	1	
4	840893	Hex socket screw M6x25	2	
5	893968	Water pump kit	1	
6	B043231	Water pump cap	1	