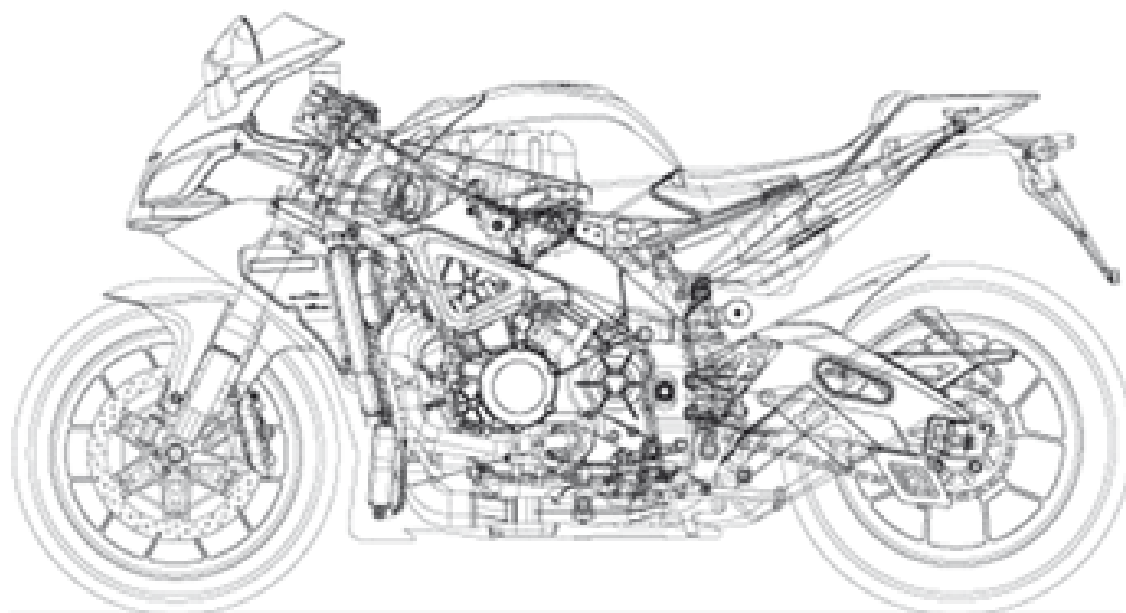




PIAGGIO & C.s.p.a.

**aprilia**

## SPARE PARTS CATALOGUE



### **RSV 1000 4V R 2009-2010**

Chassis prefix: ZD4RKA, ZD4RKC01

Engine prefix:

*RSV 4 1000*

**3980**

# Index

Finished products.....	4
Alphanumeric index.....	5
FRAME.....	11
Table 28.01 - Frame I.....	11
Table 28.02 - Frame II.....	12
Table 28.03 - Foot rests.....	13
Table 28.04 - Central stand.....	14
Table 28.05 - Steering.....	15
Table 28.06 - Front fork.....	16
Table 28.07 - Swing arm.....	17
Table 28.08 - Rear shock absorber.....	19
Table 28.09 - Front body I.....	20
Table 28.10 - Front body II.....	22
Table 28.11 - Front body III.....	24
Table 28.12 - Rear body I.....	25
Table 28.13 - Rear body II.....	27
Table 28.14 - Fuel tank.....	28
Table 28.15 - Saddle.....	30
Table 28.16 - Undersaddle.....	31
Table 28.17 - Dashboard.....	32
Table 28.18 - Handlebar - Controls.....	33
Table 28.19 - Clutch pump.....	34
Table 28.20 - Front master cilinder.....	35
Table 28.21 - Cooling system.....	36
Table 28.22 - Oil radiator.....	38
Table 28.23 - Air box.....	39
Table 28.24 - Throttle body.....	40
Table 28.25 - Exhaust pipe.....	41
Table 28.26 - Front wheel.....	43
Table 28.27 - Front brake caliper.....	44
Table 28.28 - Rear wheel.....	45
Table 28.29 - Rear master cylinder.....	46
Table 28.30 - Rear brake caliper.....	47
Table 28.31 - Headlight.....	48
Table 28.32 - Taillight.....	49
Table 28.33 - Electrical system I.....	50
Table 28.34 - Electrical system II.....	51
Table 28.35 - Electrical system III.....	52
Table 28.36 - Lock hardware kit.....	53
Table 28.55 - Plate set and decal.....	54
Table 28.56 - Fuel vapour recover system.....	55
Table 28.57 - Rear body II.....	56
Table 28.58 - Rear body III.....	57

---

ENGINE.....	58
Table 29.37 - Engine.....	58
Table 29.38 - Crank-case I.....	59
Table 29.39 - Drive shaft.....	61
Table 29.40 - Cylinder - Piston.....	62
Table 29.41 - Valves cover.....	63
Table 29.42 - Cylinder head - valves.....	64
Table 29.43 - Valves pads.....	65
Table 29.44 - Front cylinder timing system.....	68
Table 29.45 - Rear cylinder timing system.....	69
Table 29.46 - Gear box.....	70
Table 29.47 - Clutch I.....	72
Table 29.48 - Clutch II.....	73
Table 29.49 - Clutch cover.....	74
Table 29.50 - Ignition unit.....	75
Table 29.51 - Cover.....	76
Table 29.52 - Lubrication.....	77
Table 29.53 - Secondary air.....	79
Table 29.54 - Water pump.....	80



RSV 4 1000  
3980 - RSV 1000 4V R 2009-2010

Chassis prefix: ZD4RKA, ZD4RKC01  
Engine prefix:

## Finished products

Code	Validity
AP6116600EBA00	
AP6116600EBA01	

Code	No. table	Pos.	Code	No. table	Pos.	Code	No. table	Pos.
006412	29.52	30	856063	28.56	4	857119	29.39	9
006630	29.51	13	856279	28.21	10	857120	29.39	6
020006	28.29	2	856543	28.21	28	857121	29.39	11
122675	29.49	12	856630	29.53	3	857122	29.39	5
181746	28.09	24	856631	29.53	1	857123	29.46	36
181746	28.13	18	856632	29.53	2	857125	29.40	9
197551	28.17	14	856696	28.01	21	857126	29.40	8
224035	29.42	23	857004	29.44	2	857127	29.38	22
235779	29.50	8	857004	29.45	2	857127	29.49	18
269783	28.15	6	857008	29.44	4	857128	29.38	11
277330	29.52	25	857008	29.45	4	8571300001	29.39	8
289731	29.52	15	857009	29.44	3	8571300002	29.39	8
2R000041	29.42	12	857009	29.45	3	8571300003	29.39	8
2R000042	29.42	13	857016	29.42	24	8571320001	29.39	7
411209	29.38	5	857017	29.42	22	8571320002	29.39	7
411209	29.42	5	8570224	29.42	9	8571320003	29.39	7
411209	29.49	5	857023	29.42	10	857134	29.38	12
436438	29.42	11	857024	29.42	15	857134	29.46	26
436947	28.25	2	857035	29.42	2	857139	29.38	19
478895	29.42	14	857042	29.42	4	857140	29.38	18
485693	29.49	7	857043	29.41	8	857143	29.52	13
575249	28.16	3	857044	29.42	20	857144	29.38	25
576836	28.14	12	857045	29.42	19	857147	29.52	22
581957	28.09	20	857046	29.42	17	857148	29.51	3
582690	28.34	6	857047	29.42	18	857152	29.52	8
584344	28.25	6	857048	29.42	27	857166	29.52	1
584509	28.33	14	857048	29.51	7	857167	29.52	2
598838	28.01	2	857066	29.42	21	857168	29.52	10
598839	28.25	23	857067	29.42	16	857169	29.52	3
622055	28.21	2	857070	29.49	9	857175	29.46	8
638562	28.24	6	857071	29.41	2	857176	29.44	13
6389915	29.49	11	857074	29.41	9	857176	29.45	13
639792	28.34	1	857075	29.41	7	857176	29.51	5
640485	28.21	25	857077	29.39	13	857176	29.52	4
640754	28.31	2	857078	29.49	10	857181	29.53	7
641541	29.52	18	857082	29.42	25	857184	29.52	21
648707	28.07	6	857083	29.42	26	857185	29.46	27
648708	28.07	20	857084	29.41	4	857187	29.52	11
709099	29.52	26	857085	29.42	3	857189	29.52	9
825431	29.50	6	857087	29.38	2	857192	29.52	28
825597	29.42	8	857088	29.38	3	857199	29.39	10
828209	29.41	10	857090	29.38	17	857201	29.39	14
828325	28.56	18	857094	29.44	10	857204	29.51	2
840509	28.25	33	857094	29.45	10	857206	29.39	15
840893	29.52	7	857096	29.44	11	857208	29.42	7
843213	28.04	7	857096	29.45	11	857209	29.54	1
845978	28.17	10	857097	29.44	5	857222	29.54	3
845978	28.25	36	857097	29.45	5	857229	29.46	33
846019	29.52	19	857098	29.44	12	857230	29.46	31
847075	29.49	18	857098	29.45	12	857231	29.46	30
851586	28.25	8	857099	29.44	9	857232	29.46	28
851612	28.28	3	857099	29.45	9	857233	29.46	16
851998	28.18	5	857100	29.44	6	857234	29.46	29
852029	28.07	32	857100	29.45	6	857236	29.46	10
852090	28.25	3	857102	29.40	1	857237	29.46	11
852702	28.20	10	857104	29.40	5	857238	29.46	20
852702	28.27	8	857105	29.40	6	857239	29.46	19
852702	28.29	13	857106	29.40	7	857240	29.46	22
852702	28.30	18	857107	29.40	2	857241	29.46	18
852702	28.30	5	857108	29.40	3	857242	29.46	21
854594	28.06	1	857109	29.38	20	857244	29.46	17
854595	28.06	2	8571145004	29.39	2	857245	29.46	24
854811	28.35	7	857115	29.39	3	857246	29.46	23
854909	29.46	44	8571170001	29.39	4	857247	29.46	13
854951	29.46	45	8571170002	29.39	4	857248	29.46	14
856043	28.06	23	8571170003	29.39	4	857249	29.38	15
856062	28.56	11	857118	29.39	12	857250	29.46	7

Code	No. table	Pos.	Code	No. table	Pos.	Code	No. table	Pos.
857251	29.46	35	857501	29.41	5	858828	28.10	1
857253	29.46	41	858212	28.34	7	858829	28.10	2
8572555	29.39	1	858475	28.21	26	858830	28.11	2
857260	29.46	50	858476	28.21	8	85883100BM	28.14	3
857261	29.46	51	858477	28.21	11	85883100XN5	28.14	3
857265	29.46	47	858478	28.21	17	85883200A1	28.15	1
857268	29.46	1	858488	28.21	15	858833	28.12	6
857271	29.46	5	858489	28.22	13	858834	28.12	7
857273	29.38	16	858580	28.33	19	85883500BM	28.12	3
857274	29.46	37	858580	28.36	7	85883500XN5	28.12	3
857278	29.46	40	858703	28.31	1	858836	28.16	1
857279	29.46	46	858707	28.07	2	85883700XN6	28.12	1
857284	29.46	9	858708	28.07	5	858838	28.12	2
857287	29.50	1	858710	28.01	12	858839	28.32	6
857288	29.50	9	858711	28.01	14	858840	28.13	2
857289	29.50	2	858712	28.01	20	858840	28.58	1
857290	29.50	7	858714	28.01	13	858842	28.13	3
857297	29.50	12	858718	28.01	8	858842	28.57	8
857298	29.50	5	858719	28.17	1	858842	28.58	2
857299	29.50	8	858721	28.18	4	85884400A1	28.15	4
857300	29.50	3	858722	28.25	27	85884700BM	28.12	4
857301	29.50	4	858723	28.35	16	85884700XN5	28.12	4
857303	28.24	1	858725	28.32	1	858849	28.02	1
857304	28.24	2	858726	28.14	17	858863	28.04	1
857305	28.24	3	858727	29.53	8	858867	28.31	10
857306	28.24	11	858731	28.28	7	858868	28.32	2
857308	29.46	12	858732	28.22	11	858869	28.34	2
857309	29.46	15	858733	29.37	1	858871	28.34	3
857310	29.52	5	858737	28.05	1	858873	28.24	9
857312	29.38	14	858738	28.25	1	858874	28.24	8
857312	29.49	17	858739	28.25	9	858875	28.23	19
857314	29.49	20	858740	28.25	10	858876	28.23	7
857317	29.48	17	8587414	28.25	5	858877	28.23	13
857318	29.49	15	8587434	28.25	11	858878	28.23	17
857328	29.46	25	858745	28.25	12	858880	28.23	5
857427	29.38	4	858770	28.07	1	858881	28.23	20
857429	29.49	2	858780	28.07	7	858882	28.35	5
857435	29.51	9	858781	28.07	23	858883	28.35	8
857436	29.49	3	858782	28.13	9	858884	28.14	5
857439	29.52	16	858783	28.07	8	858885	28.14	6
857439	29.52	29	858785	28.29	5	858886	28.14	16
857445	29.40	4	858786	28.03	1	858887	28.14	8
857451	29.49	6	858787	28.03	12	858896	28.27	1
8574540001	29.38	10	858788	28.03	13	858897	28.27	2
8574540002	29.38	10	858789	28.21	1	858898	28.20	1
8574540003	29.38	10	858790	28.22	1	858902	28.30	6
857458	29.46	34	858791	28.30	14	858903	28.02	2
857459	29.46	32	858792	28.01	1	858904	28.02	3
857460	29.49	23	858803	28.05	2	858906	28.25	22
857461	29.49	19	858807	28.24	19	858907	28.01	25
857462	29.51	6	858808	28.23	26	858908	28.21	31
857463	29.51	4	858808	29.52	24	858916	28.33	16
857467	29.50	10	858809	28.33	4	858918	28.08	2
8574705	29.44	1	85881000XN5	28.11	1	858924	29.37	7
8574715	29.45	1	85881000XN6	28.11	1	858925	28.01	23
857476	29.44	7	858812	28.09	11	858926	28.01	24
857476	29.45	7	85881300XN6	28.09	1	858927	28.22	7
857477	29.44	8	85881400XN6	28.09	2	858930	28.23	15
857477	29.45	8	858815	28.01	26	858932	28.23	6
857480	29.51	12	858817	28.01	3	858941	28.04	4
857481	29.41	1	858818	28.01	27	858943	28.29	14
8574885	29.49	1	858819	28.01	6	858955	28.36	5
857489	29.52	27	85882500XN5	28.10	3	859754	28.28	18
857495	29.38	23	85882500XN6	28.10	3	859946	28.29	9
857496	29.38	24	85882600XN5	28.10	4	860138	28.56	7
857497	29.52	6	85882600XN6	28.10	4	860447	28.12	11
857498	29.49	16	858827	28.11	3	860880	28.30	7

Code	No. table	Pos.	Code	No. table	Pos.	Code	No. table	Pos.
871094	29.51	8	8938000XN5	28.09	7	894901	28.56	22
872117	29.40	10	893819	28.05	16	894933	28.10	18
872117	29.51	10	893823	28.21	21	894933	28.56	24
872664	28.35	6	89382400A1	28.15	3	894943	28.13	14
873804	29.49	8	893887	28.23	12	894944	28.13	15
877288	29.54	4	893898	28.21	34	89499300XN5	28.14	1
890499	28.56	3	89391400XN5	28.14	1	895039	28.14	29
890509	28.20	12	893915	28.23	9	895091	28.08	1
890760	28.33	24	893916	28.23	10	895228	28.28	2
890769	28.24	20	893926	28.19	2	895250	28.04	1
890787	28.17	7	893927	28.19	3	895262	28.10	19
890791	28.20	4	893929	28.31	3	895263	28.10	20
890827	29.46	43	893930	28.31	15	895266	28.10	15
890878	28.09	12	893931	28.27	3	895268	28.12	8
890879	28.09	16	893933	28.29	1	895269	28.12	9
890923	28.19	1	893934	28.24	10	895270	28.11	4
890928	28.25	28	893935	28.09	14	895316	29.50	11
890931	28.21	6	893936	28.09	6	895335	28.09	22
890938	28.23	3	893937	28.20	6	895446	28.55	6
890964	28.10	18	893940	29.48	6	895447	28.55	7
890979	28.33	1	893941	29.48	7	895448	28.55	8
890981	28.18	3	893942	29.48	12	895449	28.55	9
890982	28.19	4	893943	29.48	13	895450	28.21	37
893044	28.04	8	893944	29.48	14	895466	28.33	11
893045	28.04	9	893954	28.21	5	895466	28.34	14
893107	28.14	10	893968	29.54	5	895487	28.58	3
893108	28.12	18	893969	28.30	8	895488	28.58	5
893109	28.12	19	893979	28.10	7	895539	28.14	29
893112	28.12	5	893980	28.10	8	895540	28.10	19
893113	28.05	17	893996	28.03	21	895541	28.10	20
893132	28.23	11	893997	28.03	22	895542	28.12	8
893135	28.26	3	894015	28.23	16	895543	28.12	9
893136	28.26	4	894019	28.55	11	89554400BM	28.14	1
893137	28.30	2	894027	28.01	4	89554900XN5	28.11	1
893138	28.29	11	894056	28.36	13	89554900XN6	28.11	1
893150	28.18	6	894057	28.31	13	89555400BM	28.14	1
893151	28.18	7	894080	28.14	2	895702	28.26	1
893224	28.21	19	89410700BM	28.10	5	895703	28.28	1
893240	28.23	1	89410700XN5	28.10	5	895734	28.25	11
893255	28.35	13	89410800BM	28.10	6	895832	28.25	38
893259	28.12	26	89410800XN5	28.10	6	895845	28.01	10
893273	28.14	13	894144	28.36	14	895909	28.10	16
893513	28.21	22	894146	28.36	14	895910	28.10	17
893514	28.21	20	894147	28.36	14	895914	28.58	4
893751	28.16	2	894148	28.36	14	895915	28.09	18
893752	28.23	21	894192	28.14	28	895915	28.10	12
893757	28.18	1	894195	28.12	21	895915	28.21	4
893758	28.14	30	894195	28.15	8	895916	28.09	21
893762	28.09	8	894196	28.10	13	895959	28.14	33
893763	28.09	9	894197	28.10	14	896141	28.25	34
893764	28.09	10	894198	28.14	35	896142	28.25	35
893767	29.47	1	894201	28.03	15	896151	28.17	5
893768	29.47	2	894228	28.25	24	896152	28.17	6
893769	29.47	3	894505	28.30	12	896174	28.09	18
893770	29.47	4	894519	28.09	12	896174	28.10	12
893772	29.47	6	894520	28.09	16	896565	28.24	12
893773	29.48	1	894566	28.13	13	896566	28.24	13
893774	29.48	2	894566	28.57	9	896567	28.24	14
893777	29.48	8	894630	28.09	11	896573	28.24	15
893778	29.48	9	894657	28.13	19	896574	28.24	16
893779	29.48	10	894658	28.24	7	896575	28.24	17
893780	29.48	11	894714	28.55	10	896576	28.27	6
893782	29.48	15	894794	29.48	3	896715	28.34	5
893783	29.48	4	894796	28.31	9	897434	29.42	6
893784	29.48	5	894821	29.47	5	897435	29.38	26
893798	28.12	10	894899	28.57	19	897436	29.38	27
89380000BM	28.09	7	894900	28.57	10	897446	29.50	10

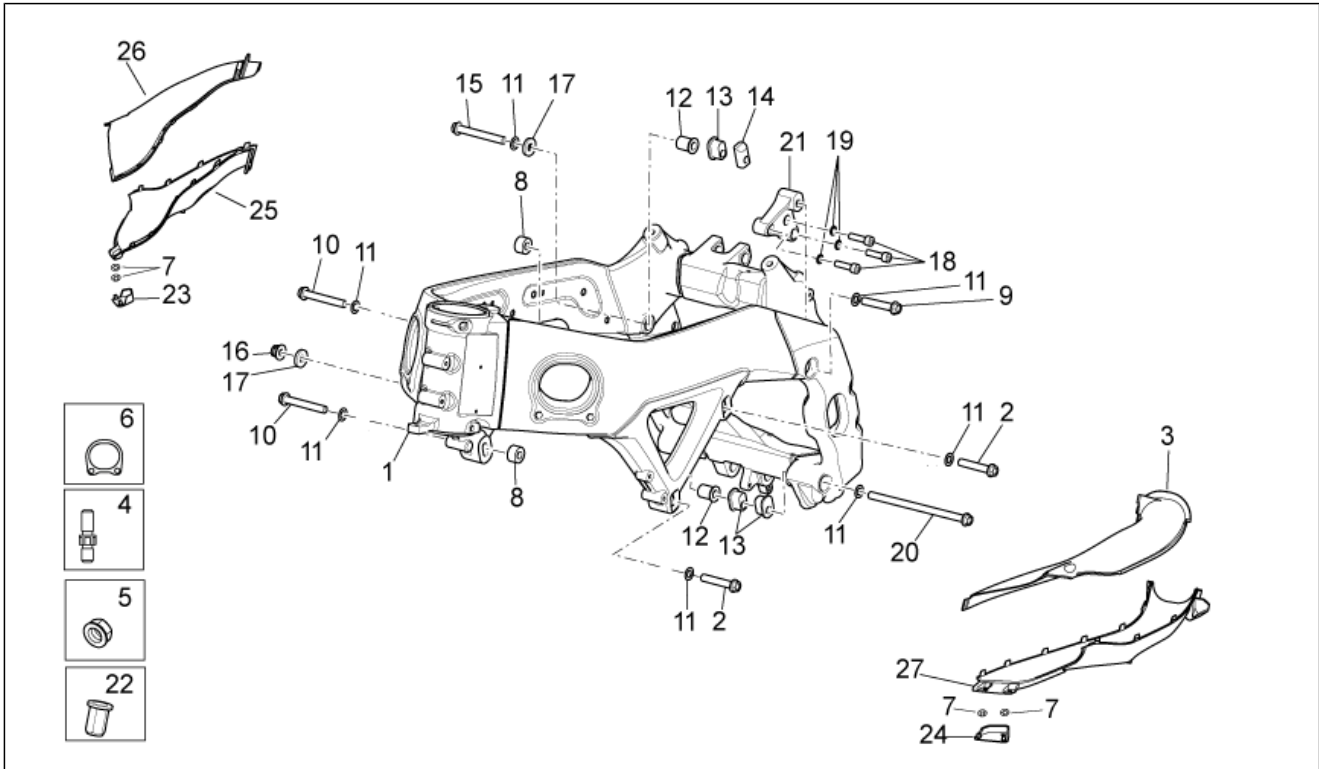
Code	No. table	Pos.	Code	No. table	Pos.	Code	No. table	Pos.
897450	29.50	12	AP8113004	28.29	12	AP8121718	28.05	14
897577	29.49	11	AP8113004	28.30	4	AP8121725	28.25	31
898268	29.51	4	AP8113230	28.20	23	AP8121728	28.17	9
898269	29.51	12	AP8113230	28.27	5	AP8121862	28.25	15
898374	29.54	2	AP8113230	28.30	11	AP8121991	28.21	35
898402	29.42	1	AP8113499	28.20	3	AP8121991	28.33	10
898410	29.41	3	AP8113598	28.20	2	AP8123641	28.05	6
898486	28.30	1	AP8113752	28.30	9	AP8123642	28.05	7
898634	29.46	2	AP8113753	28.30	10	AP8123643	28.05	8
898635	29.46	3	AP8117033	28.02	10	AP8123644	28.05	19
898694	28.29	3	AP8117033	28.09	4	AP8123806	28.06	21
899068	28.14	34	AP8117033	28.21	7	AP8123810	28.06	4
899191	29.37	11	AP8117258	28.13	22	AP8123811	28.06	26
974229	29.49	13	AP8117258	28.57	12	AP8123812	28.06	27
AP8101595	28.20	13	AP8118501	28.18	8	AP8123815	28.06	11
AP8101744	28.26	13	AP8118502	28.18	12	AP8123816	28.06	10
AP8101744	28.28	20	AP8118503	28.18	14	AP8123817	28.06	12
AP8101861	28.03	18	AP8118649	28.18	2	AP8123819	28.06	14
AP8102239	28.56	6	AP8120030	28.20	17	AP8123820	28.06	15
AP8102273	28.21	16	AP8120030	28.21	14	AP8123821	28.06	16
AP8102273	28.21	38	AP8120030	28.22	4	AP8123824	28.06	20
AP8102349	28.22	8	AP8120177	28.15	5	AP8123825	28.06	22
AP8102375	28.10	11	AP8120190	28.18	15	AP8123827	28.06	24
AP8102375	28.11	5	AP8120223	28.25	32	AP8123828	28.06	25
AP8102375	28.14	22	AP8120253	29.37	8	AP8123832	28.06	6
AP8102375	28.16	7	AP8120405	28.31	14	AP8123834	28.06	13
AP8102375	28.17	12	AP8120428	28.10	22	AP8123835	28.06	7
AP8102375	28.31	7	AP8120446	28.56	8	AP8123836	28.06	8
AP8102381	28.11	13	AP8120531	28.10	23	AP8124528	28.30	3
AP8102381	28.12	16	AP8120592	28.12	28	AP8124719	28.11	7
AP8102520	28.56	2	AP8120622	28.09	25	AP8124869	28.34	4
AP8102523	28.36	12	AP8120622	28.10	21	AP8125687	28.07	19
AP8102524	28.04	10	AP8120663	28.14	14	AP8125728	28.26	9
AP8102544	28.02	7	AP8120822	28.29	15	AP8125730	28.28	10
AP8102678	28.56	1	AP8120876	28.04	14	AP8125731	28.28	6
AP8102688	28.56	20	AP8120912	28.29	7	AP8125732	28.28	12
AP8102719	28.56	21	AP8120912	29.37	3	AP8125773	28.26	8
AP8102764	28.56	12	AP8120952	28.21	29	AP8125777	28.26	5
AP8102902	28.01	22	AP8121032	28.13	23	AP8125779	28.26	14
AP8102913	28.36	4	AP8121032	28.31	8	AP8125788	28.28	19
AP8102998	28.56	10	AP8121032	28.56	23	AP8125827	28.26	7
AP8104390	28.02	8	AP8121032	29.53	9	AP8125838	28.28	17
AP8104719	28.36	6	AP8121075	28.07	16	AP8127098	28.13	5
AP8104754	28.09	17	AP8121075	28.33	7	AP8127098	28.57	13
AP8104755	28.09	13	AP8121096	28.33	20	AP8127432	28.20	11
AP8104759	28.09	5	AP8121133	28.03	19	AP8127489	28.09	24
AP8104760	28.09	15	AP8121155	28.08	7	AP8127489	28.13	18
AP8104803	28.14	27	AP8121170	28.25	4	AP8127699	28.09	15
AP8104803	28.36	10	AP8121184	28.12	17	AP8127700	28.09	5
AP8104836	28.21	30	AP8121199	28.25	17	AP8127803	28.13	14
AP8106389	28.22	9	AP8121203	28.07	18	AP8127804	28.13	15
AP8106806	28.28	15	AP8121204	28.07	11	AP8127856	28.04	15
AP8110065	28.07	29	AP8121207	28.05	5	AP8128169	28.26	6
AP8110065	28.08	3	AP8121212	28.28	13	AP8128170	28.28	16
AP8110068	28.07	30	AP8121213	28.28	11	AP8128228	28.26	2
AP8110068	28.08	4	AP8121221	28.29	6	AP8128231	28.28	23
AP8110077	28.05	4	AP8121221	29.37	2	AP8133502	28.20	22
AP8110078	28.07	3	AP8121223	28.29	10	AP8133664	28.20	5
AP8110079	28.07	4	AP8121224	28.03	5	AP8133666	28.20	8
AP8110081	28.28	14	AP8121267	28.56	9	AP8133824	28.27	4
AP8112600	28.13	21	AP8121346	28.05	9	AP8134167	28.20	20
AP8112600	28.57	11	AP8121428	28.22	6	AP8134383	28.20	15
AP8112916	28.13	6	AP8121455	28.25	19	AP8134451	28.03	17
AP8112916	28.57	5	AP8121475	28.33	18	AP8134640	28.25	30
AP8112996	28.29	17	AP8121566	28.03	4	AP8134775	28.02	6
AP8113004	28.20	9	AP8121570	28.07	26	AP8134775	28.21	3
AP8113004	28.27	9	AP8121592	28.28	21	AP8134779	28.30	15



Code	No. table	Pos.	Code	No. table	Pos.	Code	No. table	Pos.
AP8134783	28.57	3	AP8150204	28.57	7	AP8150540	28.05	15
AP8134829	28.03	16	AP8150220	28.05	13	AP8150543	28.18	9
AP8134948	28.36	11	AP8150236	28.05	11	AP8152001	28.04	5
AP8134955	28.03	3	AP8150236	28.25	16	AP8152043	28.12	25
AP8140711	28.36	2	AP8150236	28.33	21	AP8152108	28.13	16
AP8144005	28.07	12	AP8150248	28.04	13	AP8152108	28.57	18
AP8144006	28.07	10	AP8150255	28.14	24	AP8152112	28.25	26
AP8144007	28.29	8	AP8150255	28.17	3	AP8152128	28.33	5
AP8144008	28.22	14	AP8150272	28.25	25	AP8152137	28.13	10
AP8144012	29.52	12	AP8150285	28.14	19	AP8152137	28.20	16
AP8144012	29.52	23	AP8150285	28.36	9	AP8152154	28.01	19
AP8144033	28.21	12	AP8150285	29.38	21	AP8152154	28.33	23
AP8144046	28.33	15	AP8150292	28.01	11	AP8152166	29.38	29
AP8144048	28.07	9	AP8150292	28.04	6	AP8152166	29.46	6
AP8144061	28.35	10	AP8150311	28.04	11	AP8152174	28.12	13
AP8144087	28.23	8	AP8150334	28.07	15	AP8152181	28.57	17
AP8144158	28.14	32	AP8150340	28.20	14	AP8152238	28.33	17
AP8144424	29.49	14	AP8150359	28.11	12	AP8152246	28.14	18
AP8144443	28.07	21	AP8150376	28.11	6	AP8152267	28.07	25
AP8144444	28.07	22	AP8150376	28.25	37	AP8152267	28.57	4
AP8144558	28.25	18	AP8150376	28.33	3	AP8152272	28.21	18
AP8144563	28.10	10	AP8150382	28.25	14	AP8152272	29.51	1
AP8144563	28.11	10	AP8150382	28.31	6	AP8152273	28.14	15
AP8144563	28.58	9	AP8150382	28.35	3	AP8152273	28.20	24
AP8144564	28.09	19	AP8150413	28.12	23	AP8152277	28.05	18
AP8144565	28.12	20	AP8150420	28.32	7	AP8152277	28.22	10
AP8144565	28.14	4	AP8150421	28.12	29	AP8152277	29.41	6
AP8144616	28.10	9	AP8150421	28.23	24	AP8152279	28.21	33
AP8144616	28.11	9	AP8150429	28.03	11	AP8152279	28.30	13
AP8144616	28.58	8	AP8150429	28.20	21	AP8152279	28.33	9
AP8144707	28.02	9	AP8150429	29.49	4	AP8152279	29.37	9
AP8144713	28.14	7	AP8150429	29.51	11	AP8152279	29.49	21
AP8144720	28.21	39	AP8150429	29.52	17	AP8152280	28.21	13
AP8146502	28.03	8	AP8150430	28.07	17	AP8152280	28.22	2
AP8146516	28.08	9	AP8150431	28.25	21	AP8152280	29.38	6
AP8146518	28.08	5	AP8150436	28.28	8	AP8152280	29.46	48
AP8146616	28.03	20	AP8150444	28.11	11	AP8152281	28.25	29
AP8146617	28.03	24	AP8150444	28.13	1	AP8152283	28.05	12
AP8146862	28.03	2	AP8150450	28.01	7	AP8152284	29.38	8
AP8148824	28.07	28	AP8150450	28.12	22	AP8152285	28.33	2
AP8149034	28.57	16	AP8150462	28.29	16	AP8152286	28.26	11
AP8150011	28.21	23	AP8150462	29.37	4	AP8152286	28.30	19
AP8150012	28.04	12	AP8150468	28.07	31	AP8152289	29.38	9
AP8150014	29.48	16	AP8150469	28.02	5	AP8152290	28.06	17
AP8150017	28.33	22	AP8150474	28.20	19	AP8152294	29.38	7
AP8150018	28.25	20	AP8150500	28.11	8	AP8152298	28.16	6
AP8150020	28.15	7	AP8150500	28.12	12	AP8152298	28.30	17
AP8150044	28.56	25	AP8150500	28.17	13	AP8152298	28.32	5
AP8150044	29.38	13	AP8150503	28.07	27	AP8152298	28.58	6
AP8150044	29.52	20	AP8150505	28.14	23	AP8152299	28.13	17
AP8150050	28.18	13	AP8150506	28.01	5	AP8152299	28.16	5
AP8150107	28.01	18	AP8150506	28.09	3	AP8152299	28.22	5
AP8150137	28.18	10	AP8150509	28.13	4	AP8152299	28.33	8
AP8150137	28.22	12	AP8150509	28.17	2	AP8152299	28.35	12
AP8150137	29.53	10	AP8150509	28.31	5	AP8152299	28.56	17
AP8150158	28.11	14	AP8150509	28.35	11	AP8152299	28.57	15
AP8150158	28.12	27	AP8150509	28.35	2	AP8152301	28.01	16
AP8150158	28.13	8	AP8150515	28.31	4	AP8152301	28.08	8
AP8150164	28.03	23	AP8150522	28.13	20	AP8152302	28.07	24
AP8150179	28.13	11	AP8150522	28.57	14	AP8152302	28.12	14
AP8150179	28.33	6	AP8150536	28.14	9	AP8152302	28.15	2
AP8150182	28.13	12	AP8150537	28.03	14	AP8152302	28.16	4
AP8150195	28.28	24	AP8150537	29.37	6	AP8152305	28.07	14
AP8150204	28.11	15	AP8150538	28.12	15	AP8152306	28.57	2
AP8150204	28.13	7	AP8150538	28.14	21	AP8152306	28.58	7
AP8150204	28.21	24	AP8150538	28.25	13	AP8152318	28.04	2
AP8150204	28.57	6	AP8150540	28.03	9	AP8152318	29.46	42

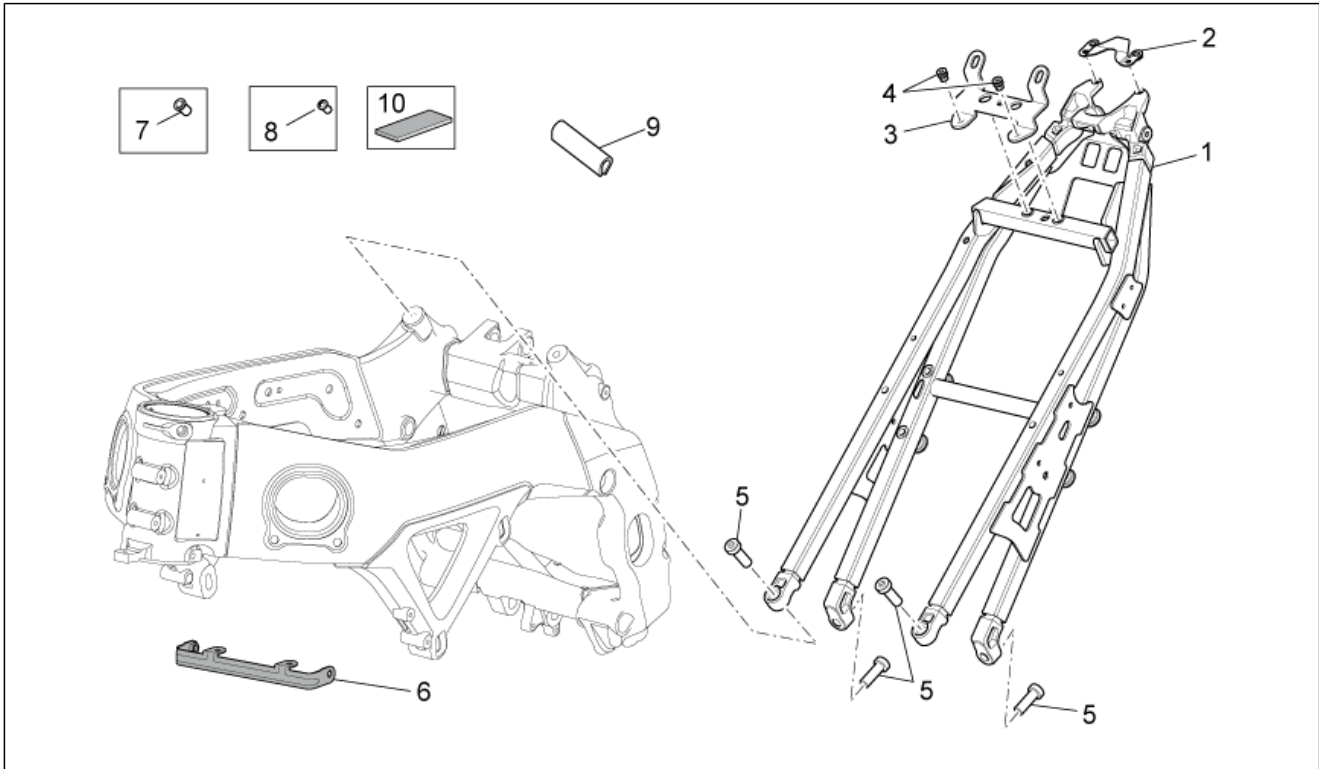
Code	No. table	Pos.	Code	No. table	Pos.	Code	No. table	Pos.
AP8152323	28.26	12	AP8267395	28.55	4	CM225605	28.34	8
AP8152323	28.28	22	AP9100456	28.21	27	CM225607	28.34	9
AP8152324	28.28	9	AP9100519	28.19	5	CM225615	28.34	10
AP8152329	28.17	11	AP9150006	29.46	39	CM225730	28.34	11
AP8152329	28.23	14	AP9150043	29.46	49	CM2259035	29.37	10
AP8152329	28.23	18	AP9150051	29.46	38	CM2259055	29.37	10
AP8152329	28.23	4	AP9150145	29.38	28	CM227501	29.40	1
AP8152329	28.24	18	AP9150145	29.46	4	CM227501	29.40	1
AP8152329	28.24	5	B043231	29.54	6	CM228002	29.43	1
AP8152335	28.26	10	B043542	29.49	22	CM228004	29.43	1
AP8152339	28.14	20	B043864	28.14	26	CM228006	29.43	1
AP8152384	28.05	10	B043920	28.36	1	CM228008	29.43	1
AP8152398	28.01	15	B043925	28.14	17	CM228010	29.43	1
AP8152409	28.03	6	B043929	28.14	25	CM228012	29.43	1
AP8152410	28.01	9	B043929	28.36	3	CM228014	29.43	1
AP8152411	28.08	10	B043933	28.15	11	CM228016	29.43	1
AP8152412	28.08	6	B043933	28.15	9	CM228018	29.43	1
AP8152413	28.08	11	B043941	28.15	10	CM228020	29.43	1
AP8152414	28.27	7	B043945	29.47	8	CM228022	29.43	1
AP8152441	28.01	17	B044474	29.47	7	CM228024	29.43	1
AP8157100	28.55	1	B045033	28.28	5	CM228026	29.43	1
AP8161127	28.14	11	B045476	29.44	14	CM228028	29.43	1
AP8163165	28.25	39	B045476	29.45	14	CM228030	29.43	1
AP8163492	28.06	18	B045973	29.38	1	CM228032	29.43	1
AP8163493	28.06	19	CM001901	28.56	15	CM228034	29.43	1
AP8163494	28.06	3	CM001905	29.53	4	CM228036	29.43	1
AP8163495	28.06	5	CM001927	28.23	25	CM228038	29.43	1
AP8163496	28.06	9	CM002903	28.24	4	CM228040	29.43	1
AP8163498	28.05	3	CM002912	28.23	2	CM228042	29.43	1
AP8201301	28.29	4	CM002916	29.53	5	CM228044	29.43	1
AP8201727	28.22	15	CM083510	28.35	1	CM228046	29.43	1
AP8201755	28.02	4	CM083513	28.35	1	CM228048	29.43	1
AP8213057	28.20	7	CM101711	29.52	14	CM228050	29.43	1
AP8220150	28.17	4	CM178411	28.56	16	CM228052	29.43	1
AP8220150	28.35	4	CM178412	28.56	19	CM228054	29.43	1
AP8220186	28.09	23	CM178413	28.56	14	CM228056	29.43	1
AP8220186	28.32	3	CM223401	29.43	1	GU05128230	28.25	7
AP8220238	28.12	24	CM223402	29.43	1	GU05677730	28.03	7
AP8220283	28.31	12	CM223403	29.43	1	GU30027931	28.23	22
AP8220283	28.33	13	CM223404	29.43	1	GU30729330	28.23	23
AP8220283	28.34	13	CM223405	29.43	1			
AP8220366	28.14	31	CM223406	29.43	1			
AP8221023	28.20	18	CM223407	29.43	1			
AP8221023	28.21	9	CM223408	29.43	1			
AP8221023	28.22	3	CM223409	29.43	1			
AP8221036	28.32	4	CM223410	29.43	1			
AP8221043	28.18	11	CM223411	29.43	1			
AP8221129	28.36	8	CM223412	29.43	1			
AP8221145	28.21	32	CM223413	29.43	1			
AP8221145	28.35	9	CM223414	29.43	1			
AP8221150	28.21	36	CM223415	29.43	1			
AP8221150	28.56	5	CM223416	29.43	1			
AP8221311	28.56	13	CM223417	29.43	1			
AP8221349	28.30	16	CM223418	29.43	1			
AP8224164	28.57	1	CM223419	29.43	1			
AP8224462	28.31	11	CM223420	29.43	1			
AP8224462	28.33	12	CM223421	29.43	1			
AP8224462	28.34	12	CM223422	29.43	1			
AP8224470	28.03	10	CM223423	29.43	1			
AP8224470	28.17	8	CM223424	29.43	1			
AP8224470	28.29	18	CM223425	29.43	1			
AP8224470	29.37	5	CM223426	29.43	1			
AP8225369	28.04	3	CM223427	29.43	1			
AP8234020	28.07	13	CM223428	29.43	1			
AP8257609	28.55	2	CM223429	29.43	1			
AP8257755	28.55	3	CM224901	28.28	4			
AP8257794	28.55	5	CM225401	29.53	6			

<b>Group</b>	FRAME
<b>Code</b>	28.01
<b>Description</b>	Frame I
<b>Service</b>	1



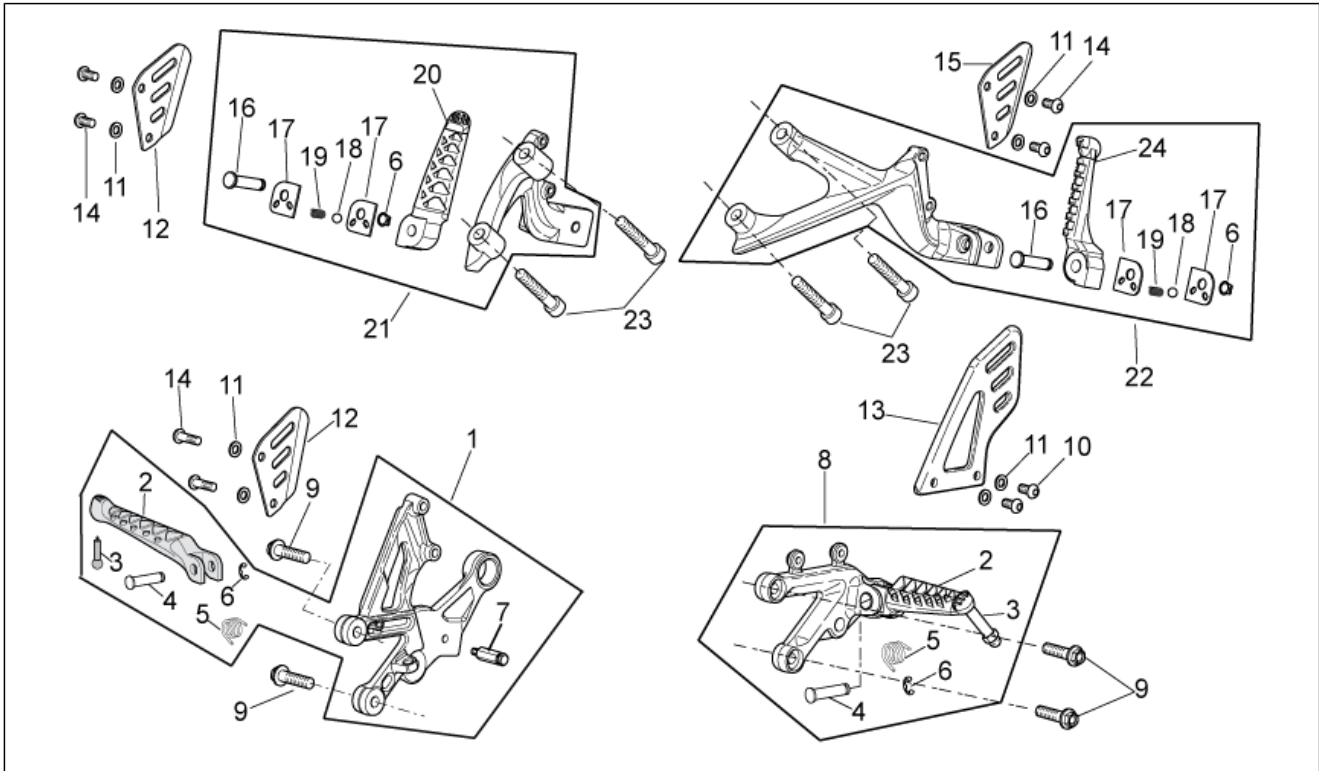
Pos.	Code	Description	Qty	Variants
1	858792	Frame	1	
2	598838	Screw w/ flange	2	
3	858817	LH Upper Air duct	1	
4	894027	Pin	4	
5	AP8150506	Flanged nut	4	
6	858819	RH-LH Gasket	2	
7	AP8150450	Washer for shafts D5	4	
8	858718	RH spacer	2	
9	AP8152410	Screw w/ flange M10x55	1	
10	895845	Hex screw FLANG.M 10	2	
11	AP8150292	Curved spring washer *	7	
12	858710	Bush	2	
13	858714	Rear Insert	3	
14	858711	Insert	1	
15	AP8152398	Screw w/ flange M10x80	1	
16	AP8152301	Self-locking nut	1	
17	AP8152441	Washer 10,5x25x4	2	
18	AP8150107	Hex socket screw M8x30	3	
19	AP8152154	Washer 8,4x13*	3	
20	858712	Pin	1	
21	856696	Engine support	1	
22	AP8102902	Hex threaded insert	4	
23	858925	RH lower support	1	
24	858926	LH lower support	1	
25	858907	RH Lower Air duct	1	
26	858815	RH Upper Air duct	1	
27	858818	LH Lower Air duct	1	

<b>Group</b>	FRAME
<b>Code</b>	28.02
<b>Description</b>	Frame II
<b>Service</b>	1



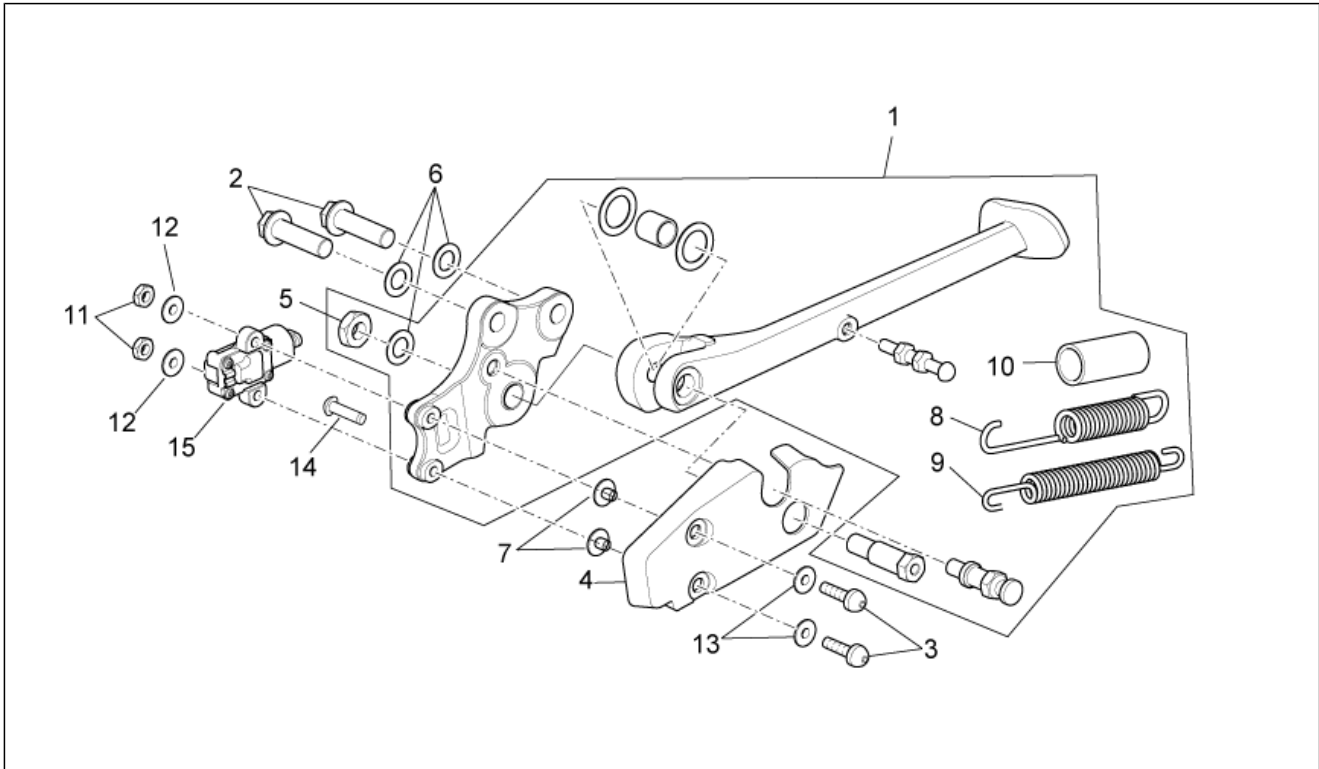
Pos.	Code	Description	Qty	Variants
1	858849	Saddle support	1	
2	858903	Headlight support clamp	1	
3	858904	Support bracket	1	
4	AP8201755	Threaded rivet	2	
5	AP8150469	Hex socket screw M10x30	4	
6	AP8134775	Water cooler upper support	1	
7	AP8102544	Threaded rivet M6	4	
8	AP8104390	Threaded rivet	6	
9	AP8144707	Gasket	1	
10	AP8117033	Adhesive sponge	1	

<b>Group</b>	FRAME
<b>Code</b>	28.03
<b>Description</b>	Foot rests
<b>Service</b>	1



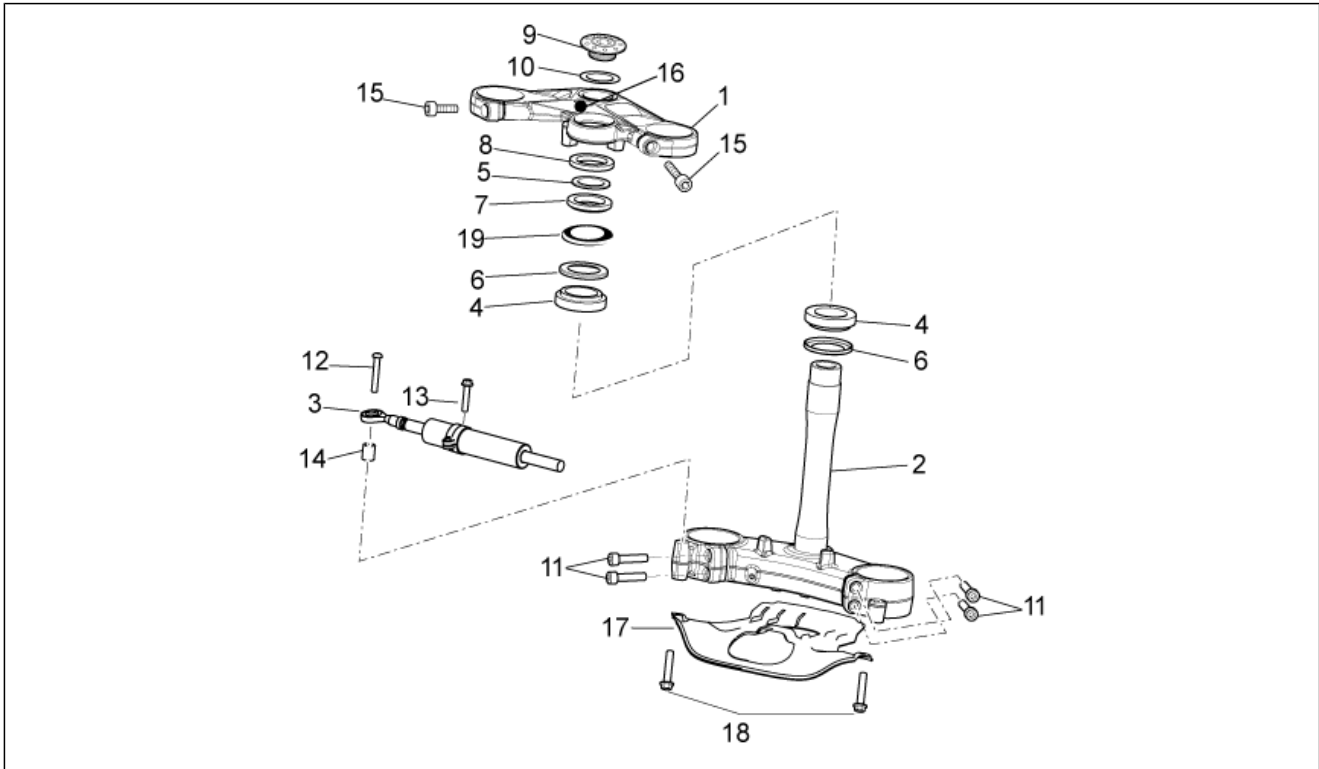
Pos.	Code	Description	Qty	Variants
1	858786	RH front footrest bracket	1	
2	AP8146862	Front footrest, pair	1	
3	AP8134955	Footrest pin	2	
4	AP8121566	Footrest pin	2	
5	AP8121224	Footrest return spring	2	
6	AP8152409	Stop ring	2	
7	GU05677730	Springs fixing pin	1	
8	AP8146502	LH front footrest bracket	1	
9	AP8150540	Screw	4	
10	AP8224470	Hex socket screw M6x20	2	
11	AP8150429	Spring washer 6,4x11x0,5*	8	
12	858787	RH protection	2	
13	858788	LH protection	1	
14	AP8150537	Hex socket screw M6x12	6	
15	894201	LH rear footrest guard	1	
16	AP8134829	Footrest pin	2	
17	AP8134451	Footrest plate	4	
18	AP8101861	Ball D6,35	2	
19	AP8121133	Coil compress. spring	2	
20	AP8146616	Rear footrest, RH	1	
21	893996	Rear footrest, RH cpl	1	
22	893997	Rear footrest, LH	1	
23	AP8150164	Hex socket screw M8x45	4	
24	AP8146617	Rear footrest, LH	1	

<b>Group</b>	FRAME
<b>Code</b>	28.04
<b>Description</b>	Central stand
<b>Service</b>	1



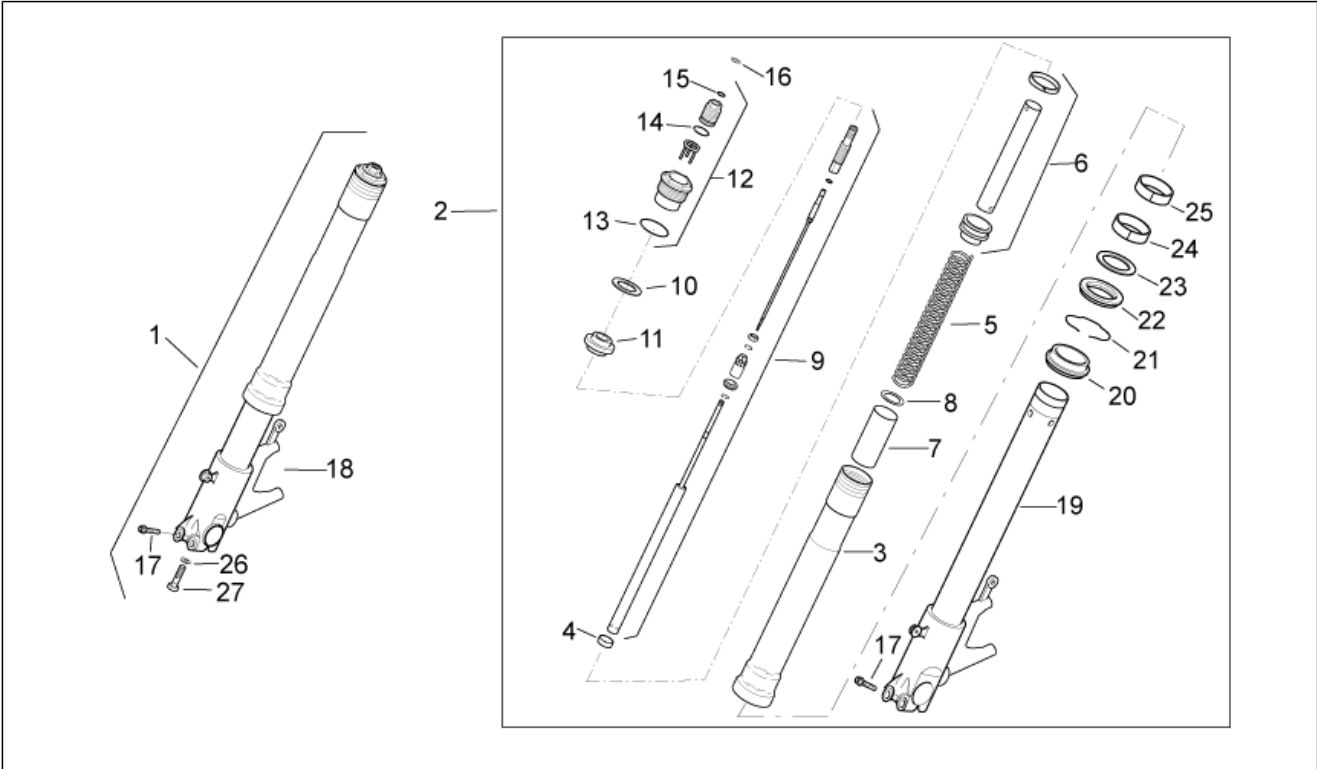
Pos.	Code	Description	Qty	Variants
1	858863	Stand cpl.	1	
1	895250	Stand cpl.	1	Country:Canadian[CA], United States of America[USA]
2	AP8152318	Screw w/ flange M10x35	2	
3	AP8225369	Hex socket screw	2	
4	858941	Guard	1	
5	AP8152001	Low nut M10x1,25	1	
6	AP8150292	Curved spring washer *	3	
7	843213	T bush	2	
8	893044	Outer spring	1	
9	893045	Inner spring	1	
10	AP8102524	Stand spring protection	1	
11	AP8150311	Low self-locking nut	2	
12	AP8150012	Washer 5,3x10x1*	2	
13	AP8150248	Washer 5,5x15x1,6	2	
14	AP8120876	Plug	1	
15	AP8127856	Lateral stand switch	1	

<b>Group</b>	FRAME
<b>Code</b>	28.05
<b>Description</b>	Steering
<b>Service</b>	1



Pos.	Code	Description	Qty	Variants
1	858737	Upper plate	1	
2	858803	Lower plate	1	
3	AP8163498	Steering shock absorber	1	
4	AP8110077	Axial ball bearing	2	
5	AP8121207	Steering security plate	1	
6	AP8123641	Dust cover ring	2	
7	AP8123642	Ring nut	1	
8	AP8123643	Return ring nut	1	
9	AP8121346	Upper plate fixing bush	1	
10	AP8152384	Stem plug washer	1	
11	AP8150236	Hex socket screw M8x35	4	
12	AP8152283	Screw w/ flange	1	
13	AP8150220	Hex socket screw M6x30	1	
14	AP8121718	Headlight bush	1	
15	AP8150540	Screw	2	
16	893819	Name plate "aprilia"	1	
17	893113	Front fork lower closing	1	
18	AP8152277	Screw w/ flange M6x12	2	
19	AP8123644	Dust cover ring	1	

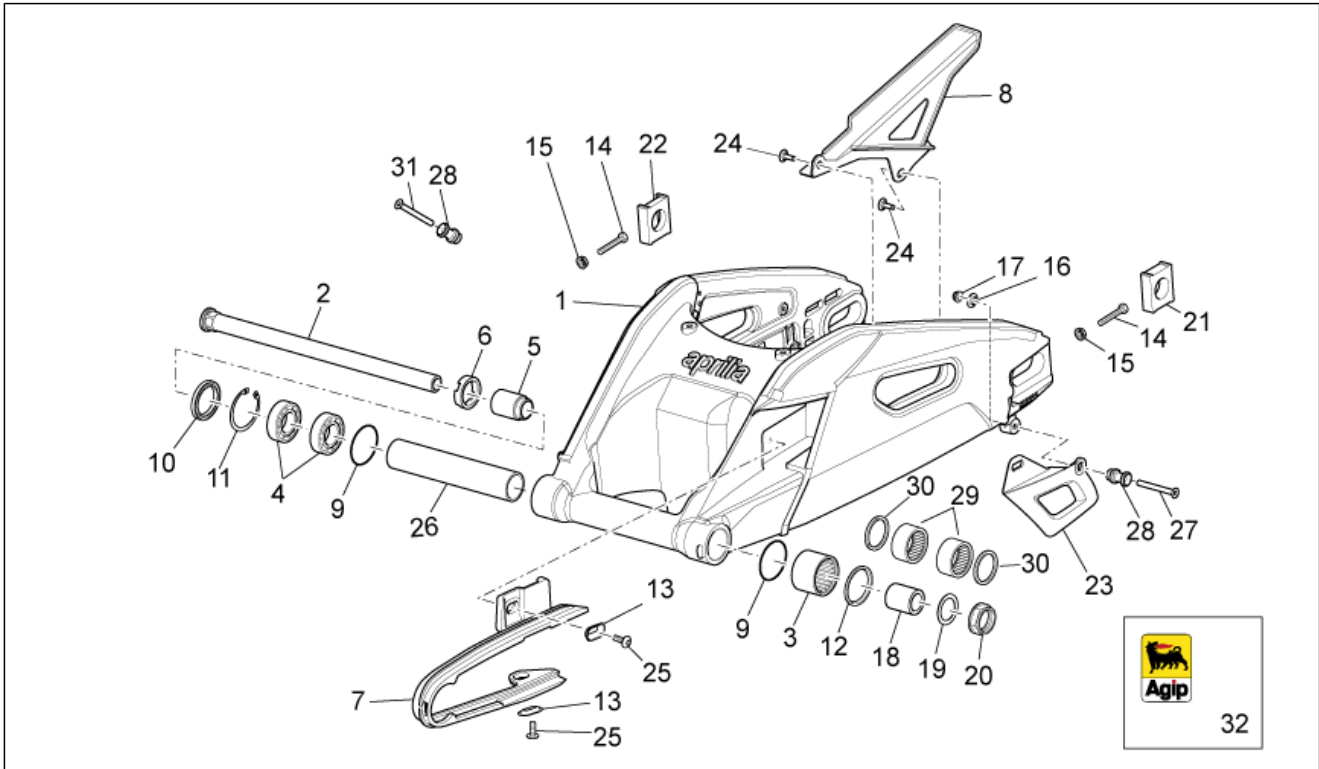
<b>Group</b>	FRAME
<b>Code</b>	28.06
<b>Description</b>	Front fork
<b>Service</b>	1



Pos.	Code	Description	Qty	Variants
1	854594	RH radial sleeve	1	
2	854595	LH radial sleeve	1	
3	AP8163494	Sleeve	2	
4	AP8123810	Plunger attachment bush	2	
5	AP8163495	Spring	2	
6	AP8123832	Preload tube cpl.	2	
7	AP8123835	Spacer	2	
8	AP8123836	Washer	2	
9	AP8163496	Plunger, complete	2	
10	AP8123816	Washer	2	
11	AP8123815	Ring	2	
12	AP8123817	Sleeve plug cpl.	2	
13	AP8123834	O-ring	2	
14	AP8123819	O-ring	2	
15	AP8123820	O-ring	2	
16	AP8123821	Stop ring	2	
17	AP8152290	Screw w/ flange M8x40	4	
18	AP8163492	Hub+RH fork leg	1	
19	AP8163493	Hub+LH fork leg	1	
20	AP8123824	Dust cover	2	
21	AP8123806	Circlip	2	
22	AP8123825	Oil seal	2	
23	856043	Ring	2	
24	AP8123827	Bush D.47,1xd.43xh.20	2	
25	AP8123828	Bush D.44,5xd.41,1xh.20	2	
26	AP8123811	Special washer	2	
27	AP8123812	screw M10x1,5	2	

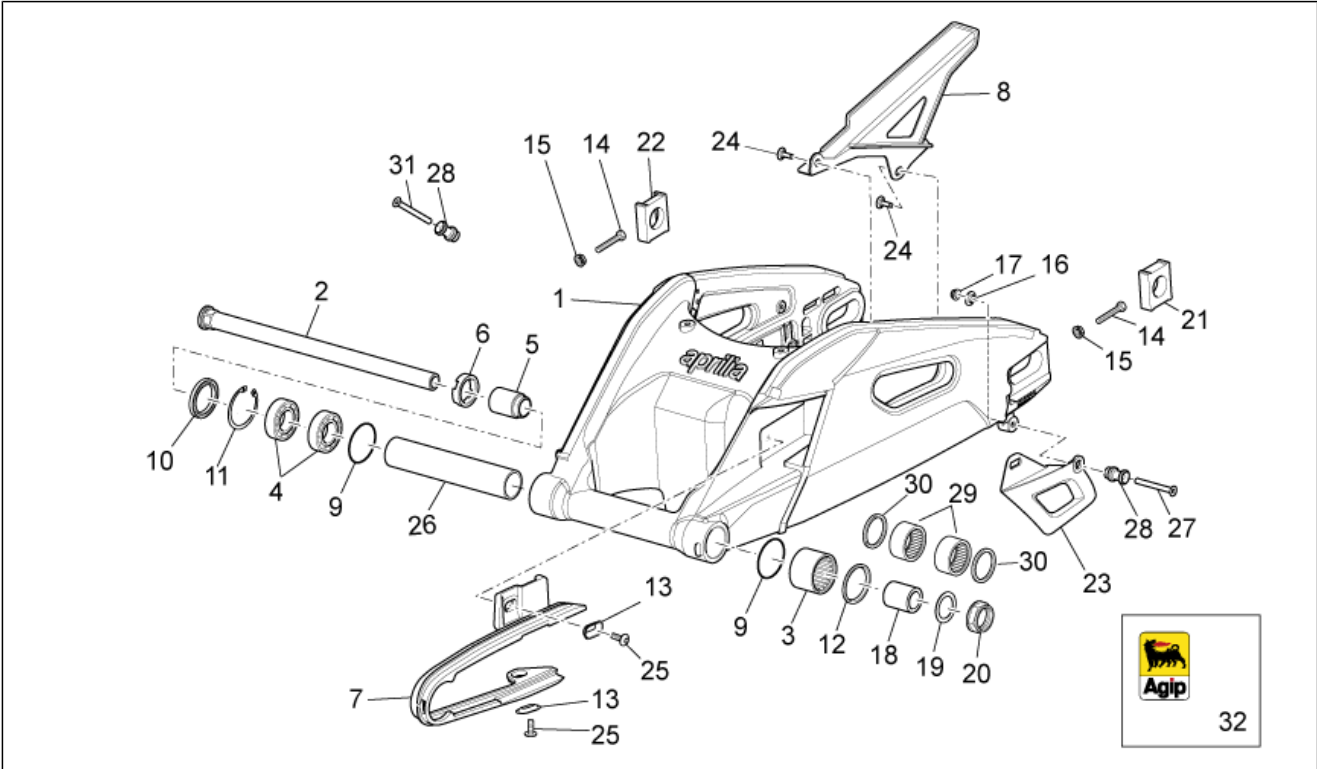


<b>Group</b>	FRAME
<b>Code</b>	28.07
<b>Description</b>	Swing arm
<b>Service</b>	1



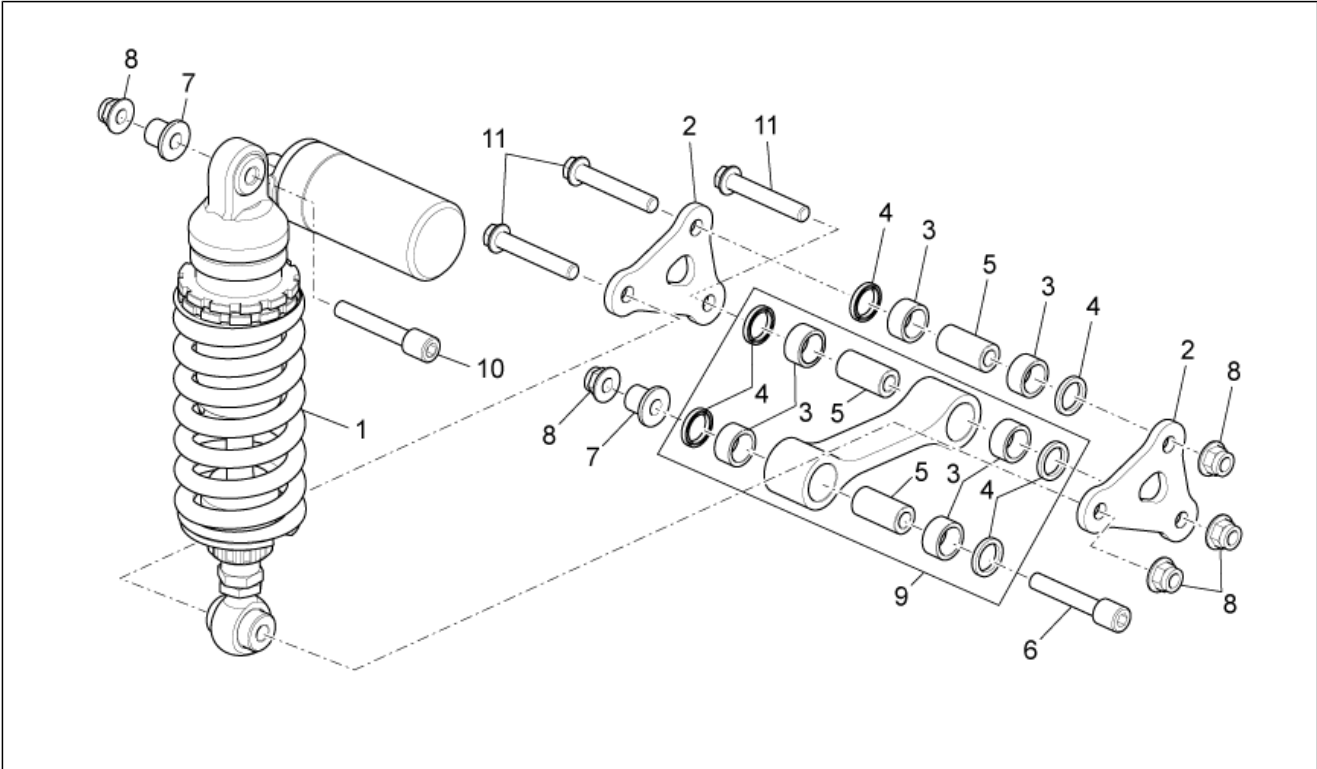
Pos.	Code	Description	Qty	Variants
1	858770	Swing arm	1	
2	858707	Rear swing arm pin	1	
3	AP8110078	Cage à rouleaux	1	
4	AP8110079	Ball bearing	2	
5	858708	Adjustment bush	1	
6	648707	Swing arm ring nut	1	
7	858780	Chain guide plate	1	
8	858783	Chain guard	1	
9	AP8144048	O-ring 134	2	
10	AP8144006	Gasket ring	1	
11	AP8121204	Inside circlip d37	1	
12	AP8144005	Gasket ring	1	
13	AP8234020	Cup for shoe	2	
14	AP8152305	Chain tens.adjuster screw	2	
15	AP8150334	Nut M8	2	
16	AP8121075	T bush *	1	
17	AP8150430	Low self-locking nut	1	
18	AP8121203	Rear int.sw.arm piv.bush	1	
19	AP8125687	Wheel pin washer	1	
20	648708	Rear wheel spindle nut	1	
21	AP8144443	LH chain guide plate	1	
22	AP8144444	RH chain guide plate	1	
23	858781	Chain guide plate	1	
24	AP8152302	Screw w/ flange M5x12	3	
25	AP8152267	Hex socket screw M5x12	2	
26	AP8121570	Internal spacer	1	
27	AP8150503	Screw	1	
28	AP8148824	Maintenance	2	

<b>Group</b>	FRAME
<b>Code</b>	28.07
<b>Description</b>	Swing arm
<b>Service</b>	1



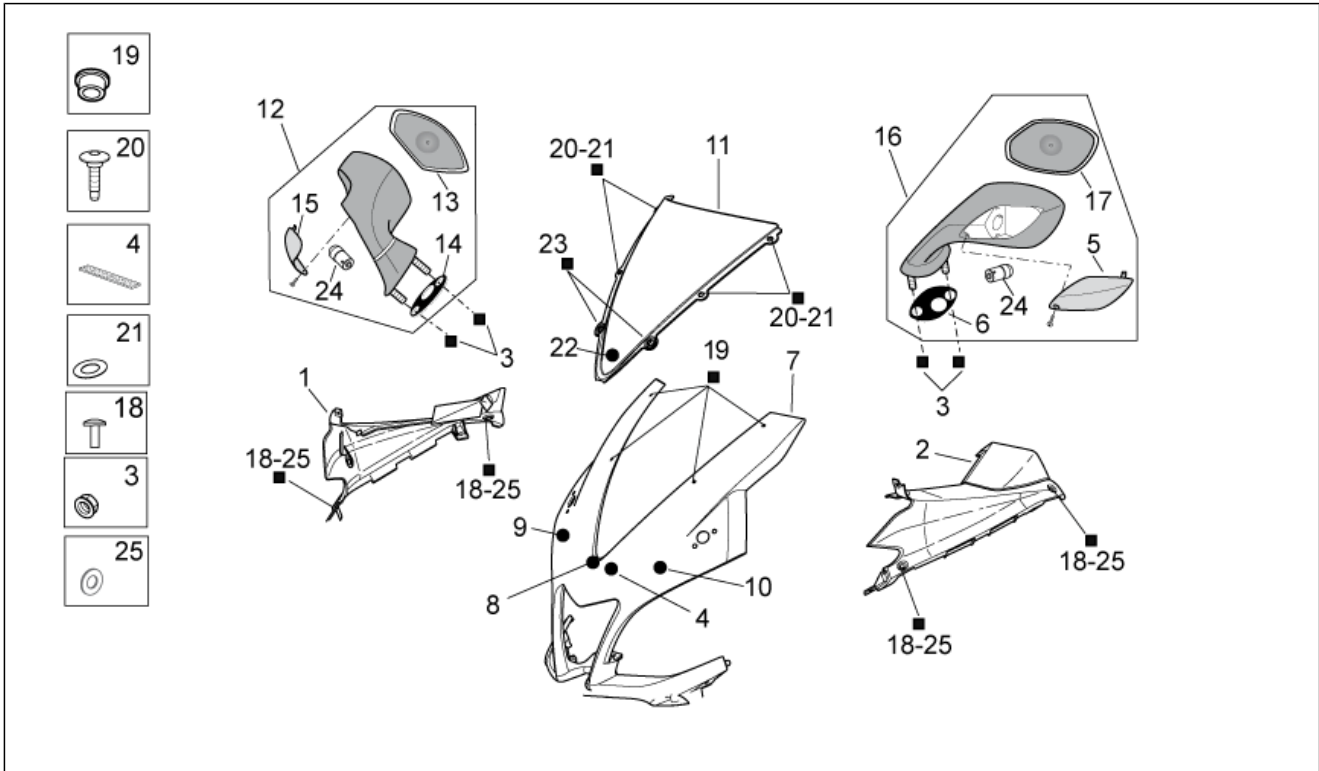
Pos.	Code	Description	Qty	Variants
29	AP8110065	Cage à rouleaux	2	
30	AP8110068	Oil seal D18x24x3	2	
31	AP8150468	Screw M6x40	1	
32	852029	Decal "AGIP"	2	

<b>Group</b>	FRAME
<b>Code</b>	28.08
<b>Description</b>	Rear shock absorber
<b>Service</b>	1



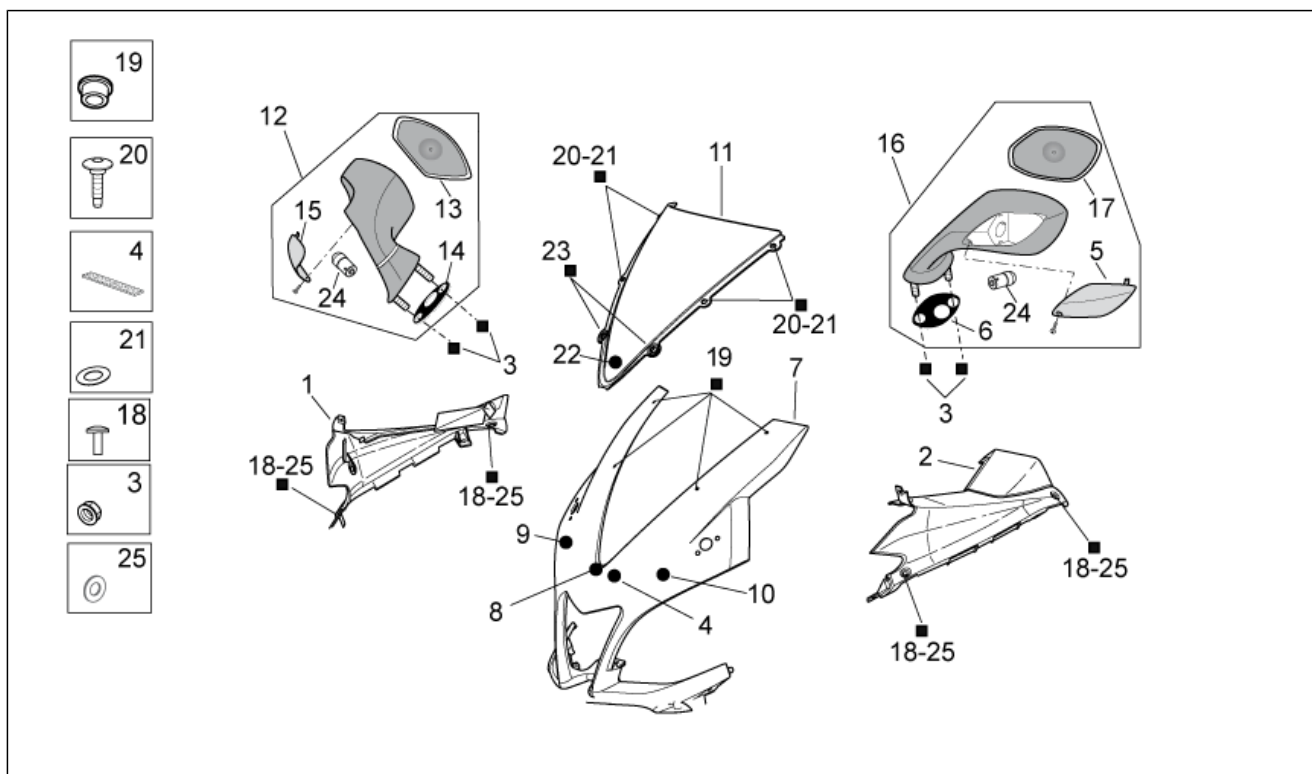
Pos.	Code	Description	Qty	Variants
1	895091	Shock absorber	1	
2	858918	Double conrod	2	
3	AP8110065	Cage à rouleaux	4	
4	AP8110068	Oil seal D18x24x3	4	
5	AP8146518	Piston pin L=36	3	
6	AP8152412	Hex socket screw M10x72	1	
7	AP8121155	T bush *	2	
8	AP8152301	Self-locking nut	5	
9	AP8146516	Single conrod comp.	1	
10	AP8152411	Hex socket screw M10x59	1	
11	AP8152413	Screw w/ flange M10x61	3	

<b>Group</b>	FRAME
<b>Code</b>	28.09
<b>Description</b>	Front body I
<b>Service</b>	1



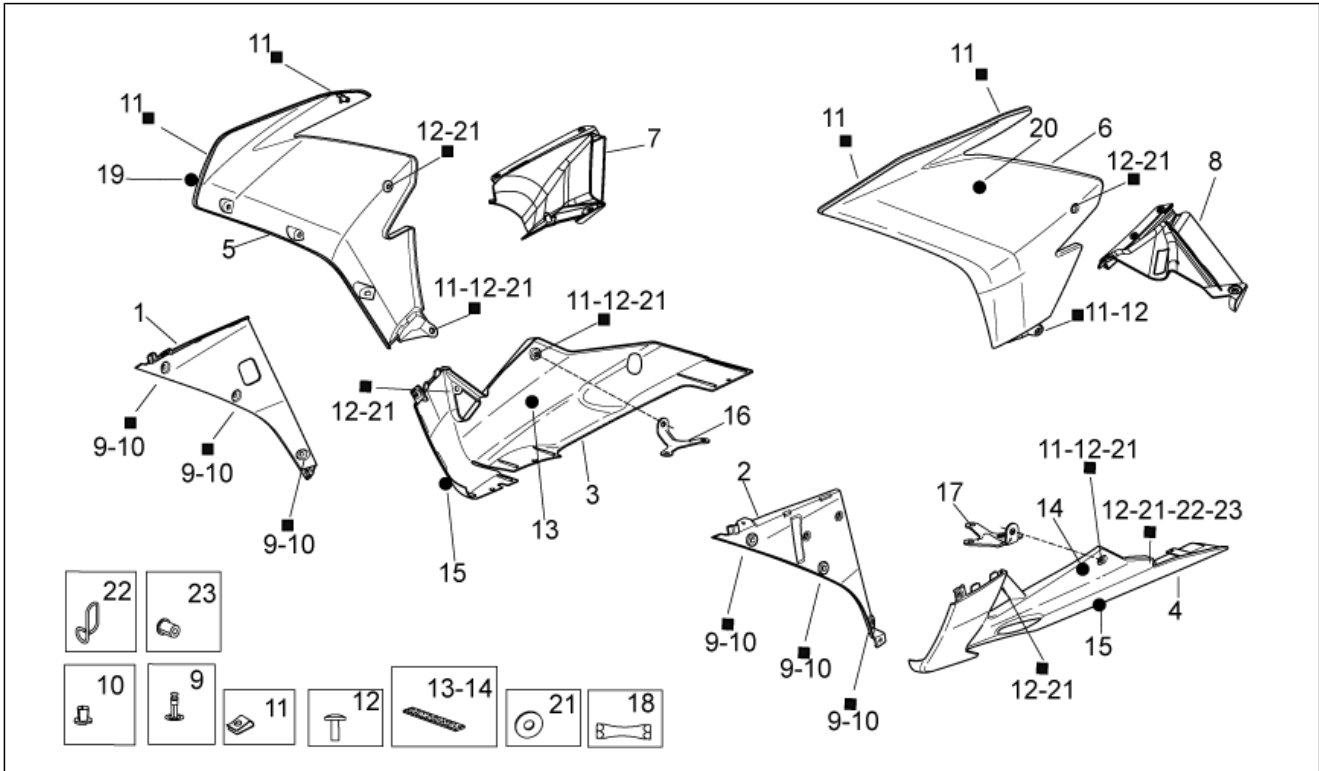
Pos.	Code	Description	Qty	Variants
1	85881300XN6	Upper RH fairing, black	1	
2	85881400XN6	Upper LH fairing, black	1	
3	AP8150506	Flanged nut	4	
4	AP8117033	Adhesive sponge	1	
5	AP8104759	LH orange lens	1	Country:Canadian[CA], United States of America[USA]
5	AP8127700	LH transparent lens	1	Country:europe[EU], Japan[J]
6	893936	LH gasket	1	
7	89380000BM	Front fairing, white	1	Vehicle colour:Glam White (s.t.895260)[glam] Technical Specifications:With decals applied[D]
7	89380000XN5	Front fairing, black	1	Vehicle colour:Black Aprilia (s.t.895260)[blk] Technical Specifications:With decals applied[D]
8	893762	Front fairing decal "Italia"	1	
9	893763	RH Front fairing decal	1	
10	893764	LH Front fairing decal	1	
11	858812	Windshield	1	Country:europe[EU], Japan[J]
11	894630	Windshield	1	Country:Australia[AU], Canadian[CA], United States of America[USA]
12	890878	RH rearview mirror	1	Country:europe[EU], Japan[J]
12	894519	RH rearview mirror	1	Country:Canadian[CA], United States of America[USA]
13	AP8104755	RH rearview mirror	1	
14	893935	RH gasket	1	
15	AP8104760	RH orange lens	1	Country:Canadian[CA], United States of America[USA]
15	AP8127699	RH transparent lens	1	Country:europe[EU], Japan[J]
16	890879	LH rearview mirror	1	Country:europe[EU], Japan[J]
16	894520	LH rearview mirror	1	Country:Canadian[CA], United States of America[USA]
17	AP8104754	LH rearview mirror	1	
18	895915	Hex socket screw	4	
18	896174	Hex socket screw M5x12	4	
19	AP8144564	Rubber w/ insert M4	4	

<b>Group</b>	FRAME
<b>Code</b>	28.09
<b>Description</b>	Front body I
<b>Service</b>	1



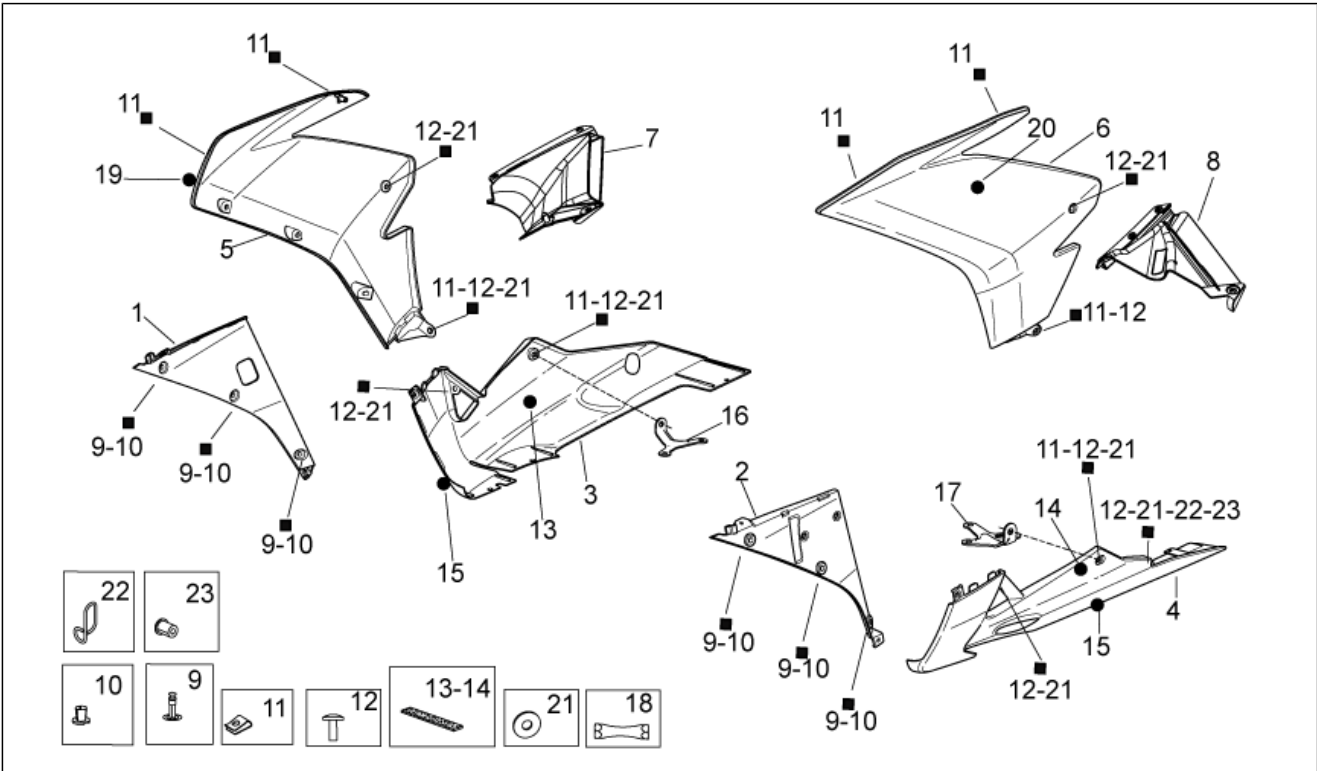
Pos.	Code	Description	Qty	Variants
20	581957	Hex socket screw	4	
21	895916	Plastic washer	4	
22	895335	Windshield decal	1	
23	AP8220186	Rubber spacer	2	
24	181746	Lamp 12V-10W	2	<b>Country:Canadian[CA], United States of America[USA]</b>
24	AP8127489	Lamp RY10W 12V	2	
25	AP8120622	Front dust cover ring	4	

<b>Group</b>	FRAME
<b>Code</b>	28.10
<b>Description</b>	Front body II
<b>Service</b>	1



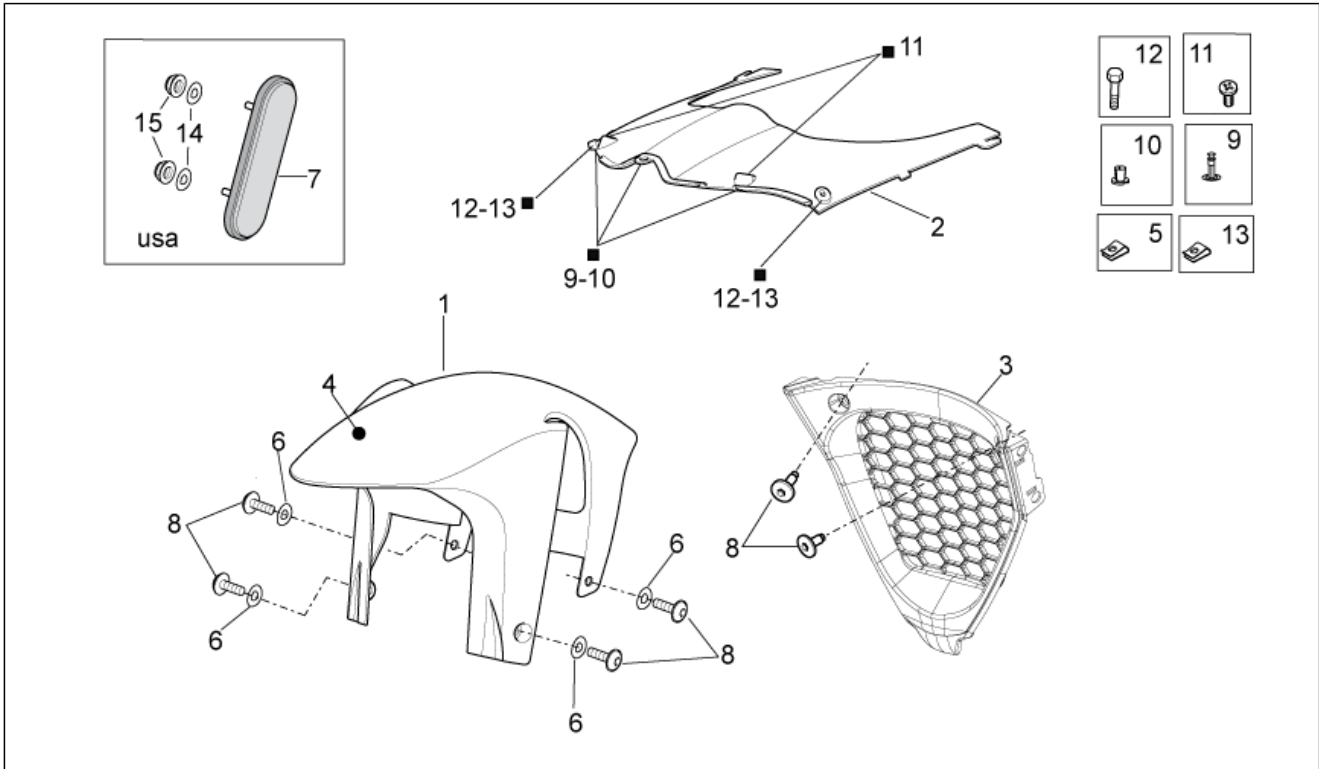
Pos.	Code	Description	Qty	Variants
1	858828	RH internal fairing	1	
2	858829	LH internal fairing	1	
3	85882500XN5	Lower RH side panel, black	1	Vehicle colour:Black Aprilia (s.t.895260)[blk] Technical Specifications:Without decals applied[ND]
3	85882500XN6	Lower RH side panel, black	1	Vehicle colour:Glam White (s.t.895260)[glam] Technical Specifications:Without decals applied[ND]
4	85882600XN5	LowerLH side panel, black	1	Vehicle colour:Black Aprilia (s.t.895260)[blk] Technical Specifications:Without decals applied[ND]
4	85882600XN6	LowerLH side panel, black	1	Vehicle colour:Glam White (s.t.895260)[glam] Technical Specifications:Without decals applied[ND]
5	89410700BM	RH side fairing, white	1	Vehicle colour:Glam White (s.t.895260)[glam] Technical Specifications:Without decals applied[ND]
5	89410700XN5	RH lat.fairing, black	1	Vehicle colour:Black Aprilia (s.t.895260)[blk] Technical Specifications:Without decals applied[ND]
6	89410800BM	LH side fairing, white	1	Vehicle colour:Glam White (s.t.895260)[glam] Technical Specifications:Without decals applied[ND]
6	89410800XN5	LH lat.fairing, black	1	Vehicle colour:Black Aprilia (s.t.895260)[blk] Technical Specifications:Without decals applied[ND]
7	893979	RH puller	1	
8	893980	LH puller	1	
9	AP8144616	Rivet, female	6	
10	AP8144563	Rivet, male	6	
11	AP8102375	Clip m5	8	
12	895915	Hex socket screw	9	
12	896174	Hex socket screw M5x12	9	
13	894196	RH heat protection	1	
14	894197	LH heat protection	1	
15	895266	Left-right lower fairing decal	2	
16	895909	RH clamp	1	
17	895910	LH clamp	1	

<b>Group</b>	FRAME
<b>Code</b>	28.10
<b>Description</b>	Front body II
<b>Service</b>	1



Pos.	Code	Description	Qty	Variants
18	890964	Spacer	1	Country:europa[EU], Japan[J]
18	894933	Spacer	1	Country:Canadian[CA], United States of America[USA]
19	895262	RH fairing decal "RSV4"	1	Vehicle colour:Black Aprilia (s.t.895260)[blk]
19	895540	RH fairing decal "RSV4"	1	Vehicle colour:Glam White (s.t.895260)[glam]
20	895263	LH fairing decal "RSV4"	1	Vehicle colour:Black Aprilia (s.t.895260)[blk]
20	895541	LH fairing decal "RSV4"	1	Vehicle colour:Glam White (s.t.895260)[glam]
21	AP8120622	Front dust cover ring	9	
22	AP8120428	Cable-guide	1	
23	AP8120531	Rubber w/ insert	1	

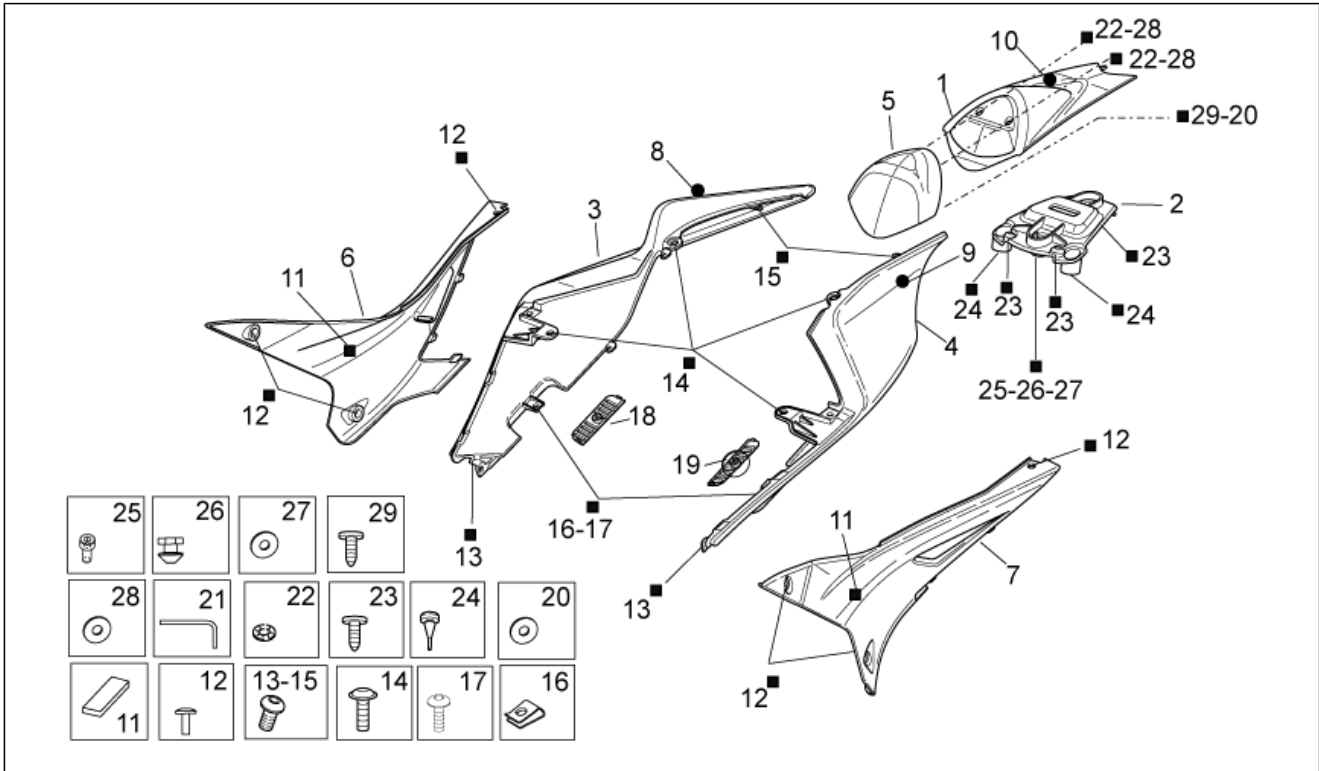
<b>Group</b>	FRAME
<b>Code</b>	28.11
<b>Description</b>	Front body III
<b>Service</b>	1



Pos.	Code	Description	Qty	Variants
1	85881000XN5	Front mudguard, black	1	Vehicle colour:Black Aprilia (s.t.895260)[blk] Country:europa[EU], Japan[J]
1	85881000XN6	Front mudguard, black	1	Vehicle colour:Glam White (s.t.895260)[glam] Country:europa[EU], Japan[J]
1	89554900XN5	Front mudguard, black	1	Vehicle colour:Black Aprilia (s.t.895260)[blk] Country:Canadian[CA], United States of America[USA]
1	89554900XN6	Front mudguard, black	1	Vehicle colour:Glam White (s.t.895260)[glam] Country:Canadian[CA], United States of America[USA]
2	858830	Front fairing lower lockup	1	
3	858827	Pillar	1	
4	895270	Decal "aprilia racing"	1	
5	AP8102375	Clip m5	2	
6	AP8150376	Washer 8,5x15x0,8	4	
7	AP8124719	Reflector, amber	2	Country:Canadian[CA], United States of America[USA]
8	AP8150500	Hex socket screw M5x9	6	
9	AP8144616	Rivet, female	5	
10	AP8144563	Rivet, male	5	
11	AP8150444	Self-tapping screw	2	
12	AP8150359	Screw	2	
13	AP8102381	Clip M4	2	
14	AP8150158	Washer 4,3X9X0,8	4	Country:Canadian[CA], United States of America[USA]
15	AP8150204	Nut M4	4	Country:Canadian[CA], United States of America[USA]

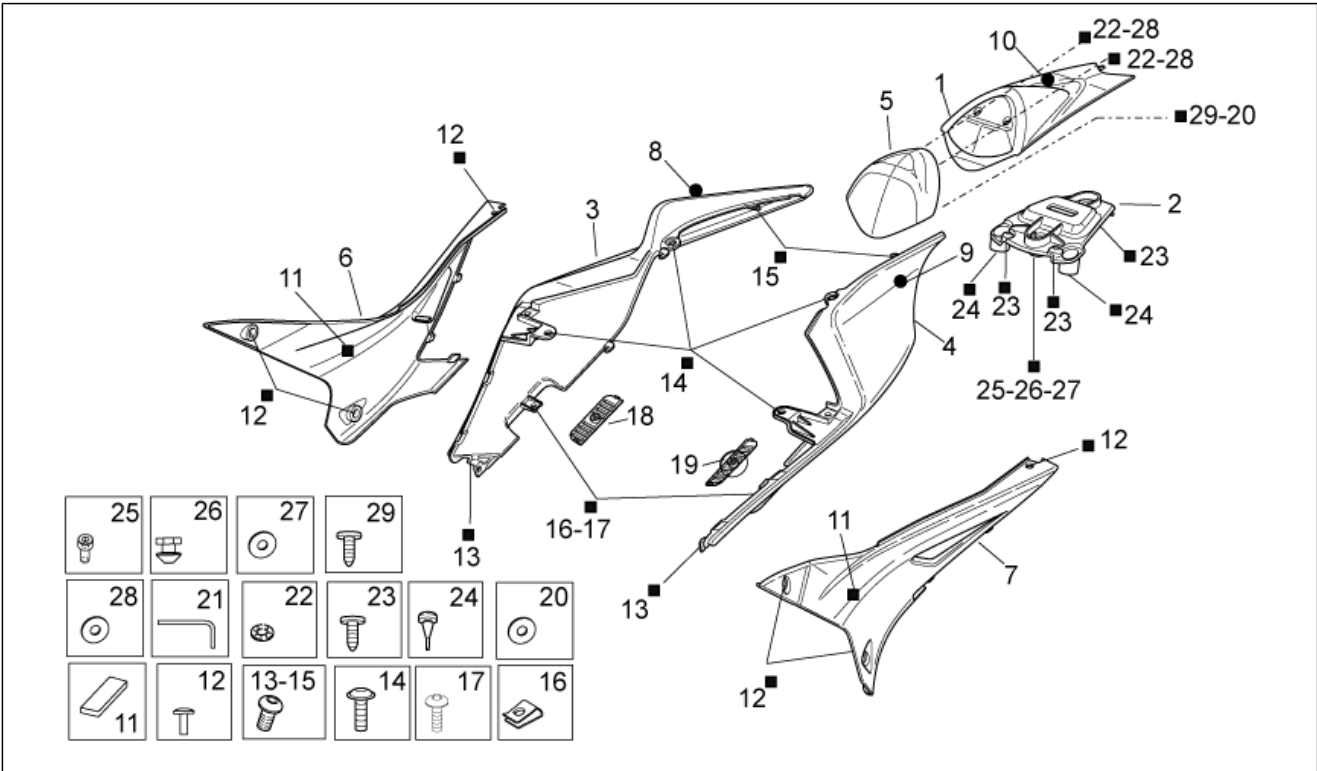


<b>Group</b>	FRAME
<b>Code</b>	28.12
<b>Description</b>	Rear body I
<b>Service</b>	1



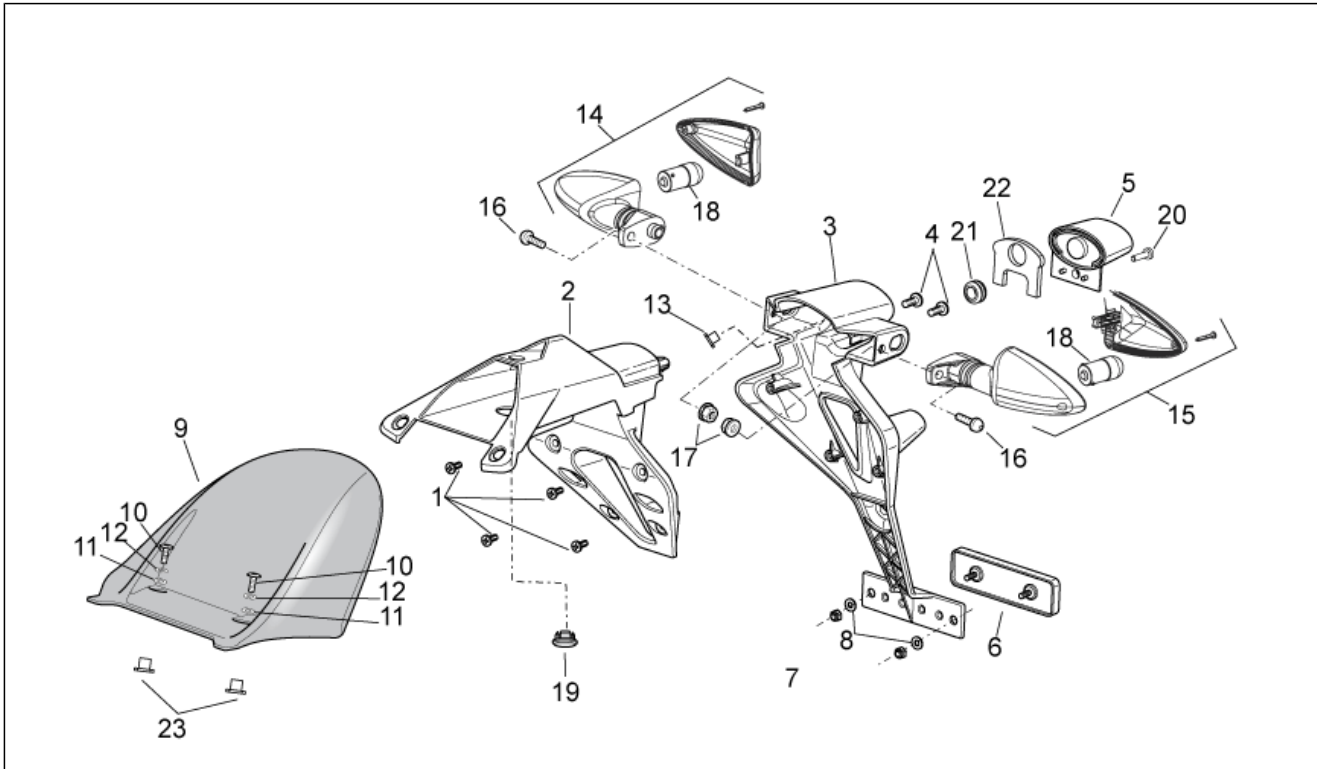
Pos.	Code	Description	Qty	Variants
1	85883700XN6	Saddle cover, black	1	<b>Technical Specifications:</b> Without decals applied[ND]
2	858838	Saddle cover base	1	
3	85883500BM	RH rear fairing, white	1	<b>Vehicle colour:</b> Glam White (s.t.895260)[glam] <b>Technical Specifications:</b> Without decals applied[ND]
3	85883500XN5	RH rear fairing, black	1	<b>Vehicle colour:</b> Black Aprilia (s.t.895260)[blk] <b>Technical Specifications:</b> Without decals applied[ND]
4	85884700BM	LH rear fairing, white	1	<b>Vehicle colour:</b> Glam White (s.t.895260)[glam] <b>Technical Specifications:</b> Without decals applied[ND]
4	85884700XN5	LH rear fairing, black	1	<b>Vehicle colour:</b> Black Aprilia (s.t.895260)[blk] <b>Technical Specifications:</b> Without decals applied[ND]
5	893112	Cushion	1	
6	858833	RH side panel	1	
7	858834	LH side panel	1	
8	895268	RH rear fairing decal "RSV4"	1	<b>Vehicle colour:</b> Black Aprilia (s.t.895260)[blk]
8	895542	RH rear fairing decal "RSV4"	1	<b>Vehicle colour:</b> Glam White (s.t.895260)[glam]
9	895269	LH rear fairing decal "RSV4"	1	<b>Vehicle colour:</b> Black Aprilia (s.t.895260)[blk]
9	895543	LH rear fairing decal "RSV4"	1	<b>Vehicle colour:</b> Glam White (s.t.895260)[glam]
10	893798	Saddle cover decal ITALIA	1	
11	860447	Biadhesive	2	
12	AP8150500	Hex socket screw M5x9	6	
13	AP8152174	Hex socket screw	2	
14	AP8152302	Screw w/ flange M5x12	4	
15	AP8150538	Hex socket screw M5x10	2	
16	AP8102381	Clip M4	2	
17	AP8121184	Screw M4x14	2	
18	893108	Net panel (r)	1	
19	893109	Net panel (l)	1	
20	AP8144565	Nylon washer	1	
21	894195	Hex key	1	

<b>Group</b>	FRAME
<b>Code</b>	28.12
<b>Description</b>	Rear body I
<b>Service</b>	1



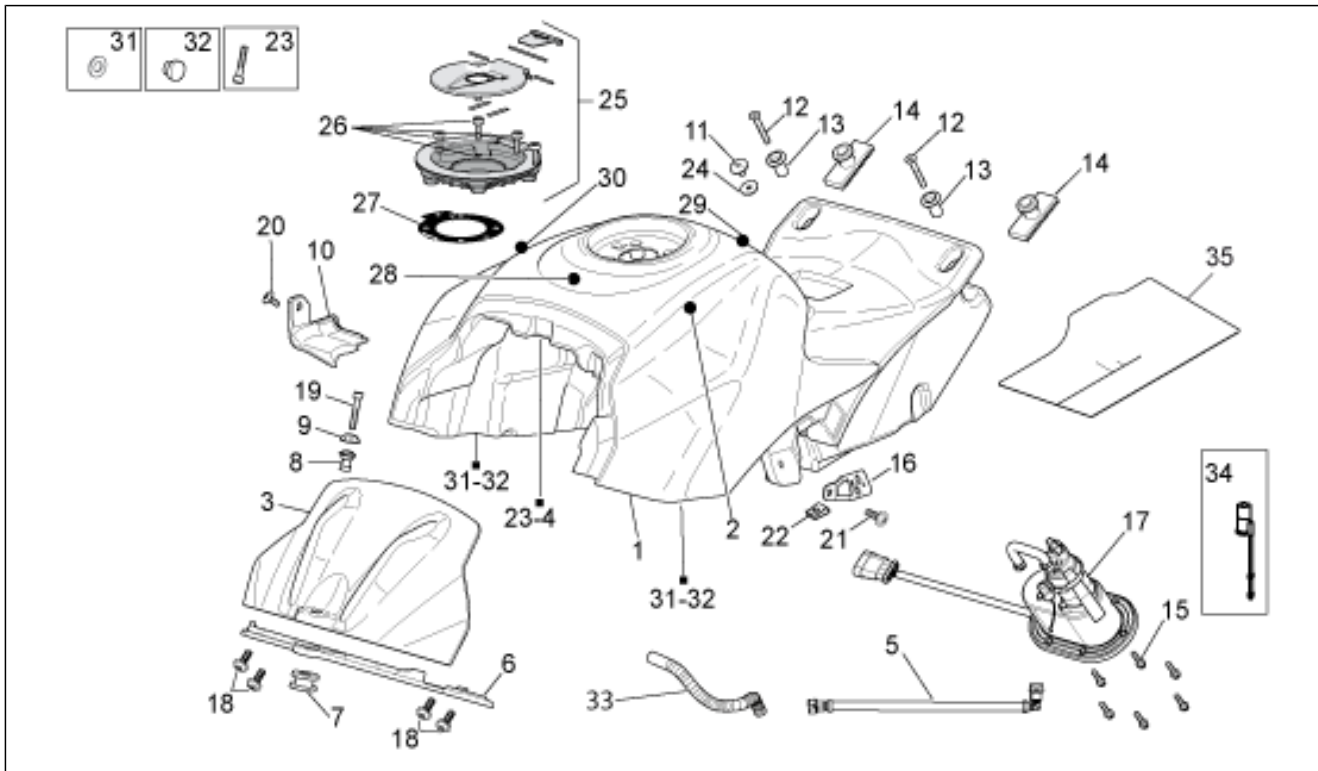
Pos.	Code	Description	Qty	Variants
22	AP8150450	Washer for shafts D5	2	
23	AP8150413	Self-tap screw 3,9x14	3	
24	AP8220238	Rubber spacer	2	
25	AP8152043	Hex socket screw M4x10	1	
26	893259	Pin	1	
27	AP8150158	Washer 4,3X9X0,8	1	
28	AP8120592	Washer	2	
29	AP8150421	Self-tap screw 2,9x12	1	

<b>Group</b>	FRAME
<b>Code</b>	28.13
<b>Description</b>	Rear body II
<b>Service</b>	1



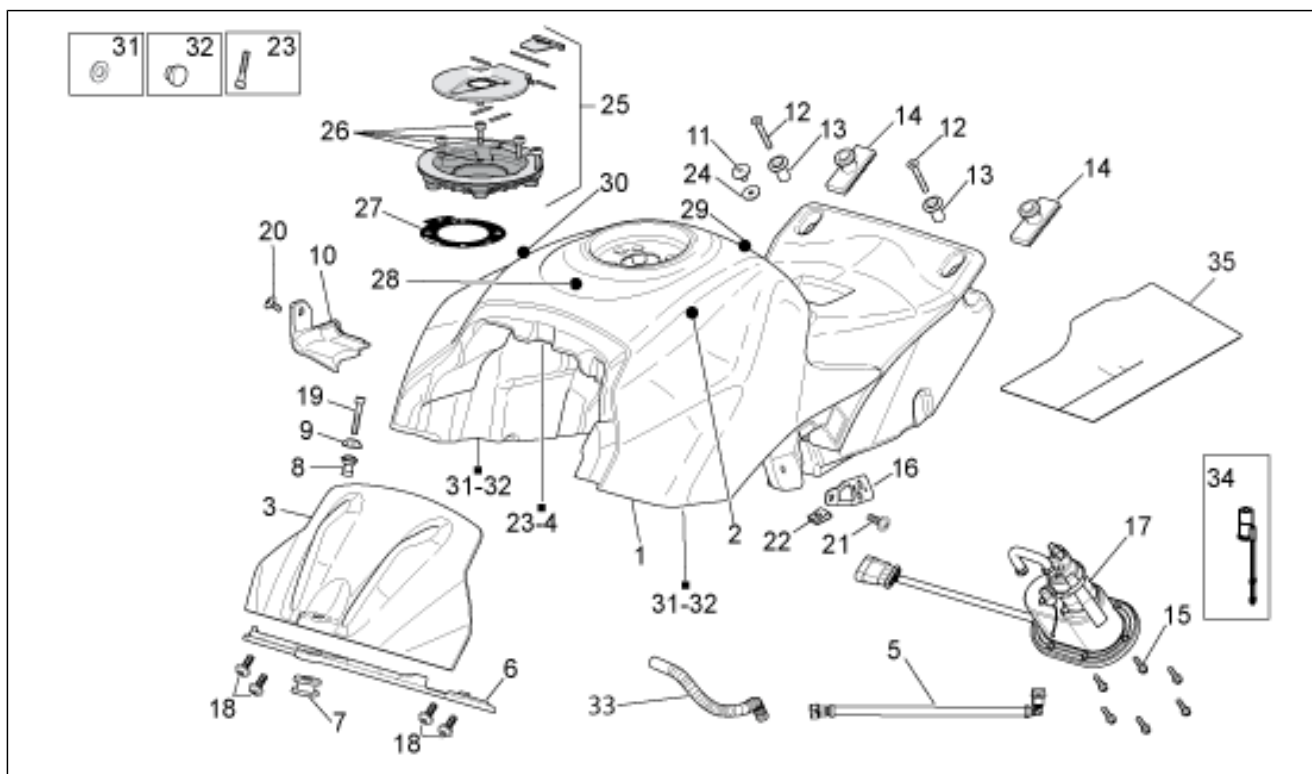
Pos.	Code	Description	Qty	Variants
1	AP8150444	Self-tapping screw	4	
2	858840	Upper Number plate holder	1	
3	858842	Lower Number plate holder	1	
4	AP8150509	Self-tap screw 5x14	2	
5	AP8127098	Number-plate light	1	
6	AP8112916	Rear reflector	1	
7	AP8150204	Nut M4	2	
8	AP8150158	Washer 4,3X9X0,8	2	
9	858782	Rear mudguard	1	
10	AP8152137	Hex socket screw M6x20	2	
11	AP8150179	Washer 6,6x18*	2	
12	AP8150182	Curved spring washer *	2	
13	894566	T bush	1	
14	894943	Rear RH turn indicator	1	Country:Canadian[CA], United States of America[USA]
14	AP8127803	Turn signal lamp DX	1	Country:Australia[AU], europe[EU], Japan[J]
15	894944	Rear LH turn indicator	1	Country:Canadian[CA], United States of America[USA]
15	AP8127804	Turn signal lamp SX	1	Country:Australia[AU], europe[EU], Japan[J]
16	AP8152108	Hex socket screw	2	
17	AP8152299	Self-locking nut M6	2	
18	181746	Lamp 12V-10W	2	Country:Canadian[CA], United States of America[USA]
18	AP8127489	Lamp RY10W 12V	2	
19	894657	Cover	1	
20	AP8150522	Screw 4,2x16	1	
21	AP8112600	Rubber spacer	1	
22	AP8117258	Vibration-damping rubber	1	
23	AP8121032	Bush	2	

<b>Group</b>	FRAME
<b>Code</b>	28.14
<b>Description</b>	Fuel tank
<b>Service</b>	1



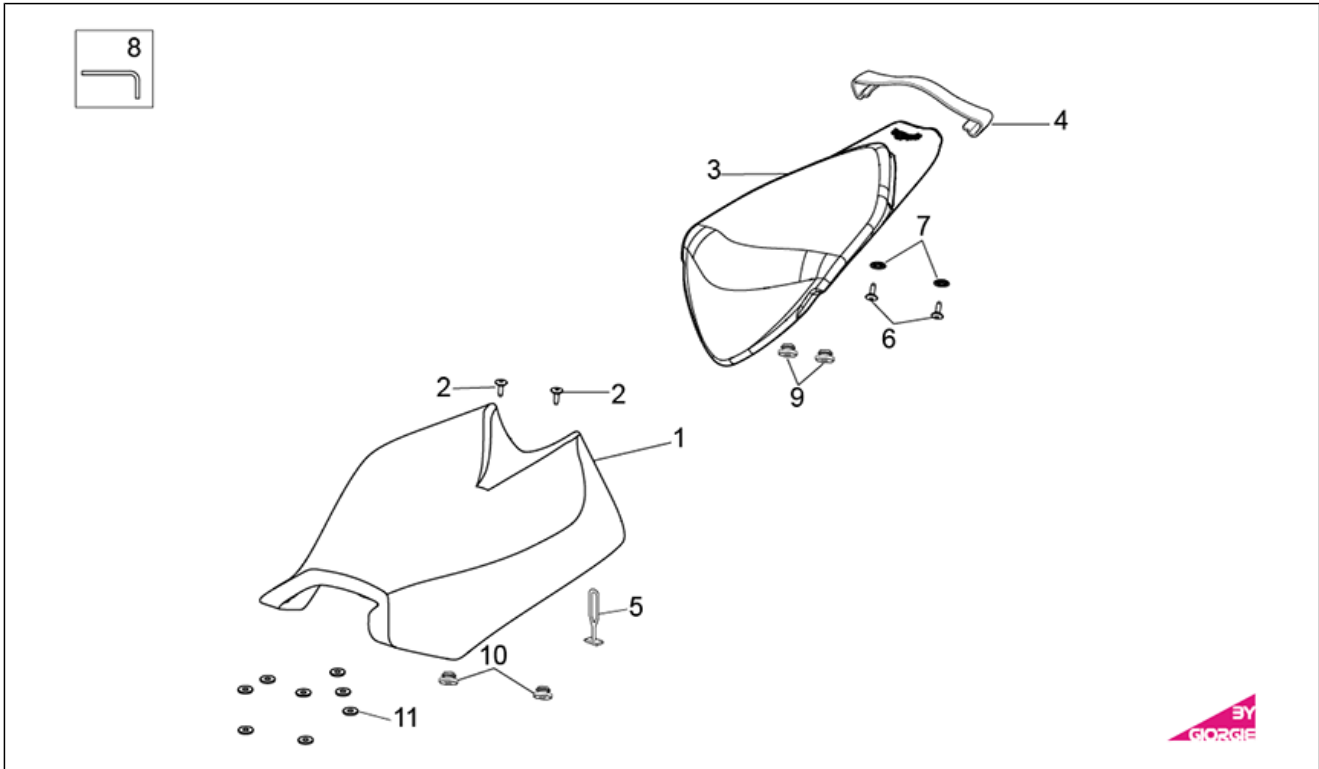
Pos.	Code	Description	Qty	Variants
1	89391400XN5	Fuel tank, black	1	<b>Vehicle colour:</b> Black Aprilia (s.t.895260)[blk] <b>Country:</b> Australia[AU], europe[EU], Japan[J] <b>Technical Specifications:</b> With decals applied[D]
1	89499300XN5	Fuel tank, black	1	<b>Vehicle colour:</b> Black Aprilia (s.t.895260)[blk] <b>Country:</b> Canadian[CA], United States of America[USA] <b>Technical Specifications:</b> With decals applied[D]
1	89554400BM	Fuel tank, white	1	<b>Vehicle colour:</b> Glam White (s.t.895260)[glam] <b>Country:</b> Australia[AU], europe[EU], Japan[J] <b>Technical Specifications:</b> With decals applied[D]
1	89555400BM	Fuel tank, white	1	<b>Vehicle colour:</b> Glam White (s.t.895260)[glam] <b>Country:</b> Canadian[CA], United States of America[USA] <b>Technical Specifications:</b> With decals applied[D]
2	894080	Fuel tank decal "aprilia"	1	
3	85883100BM	Fuel tank cover, white	1	<b>Vehicle colour:</b> Glam White (s.t.895260)[glam]
3	85883100XN5	Fuel tank cover, black	1	<b>Vehicle colour:</b> Black Aprilia (s.t.895260)[blk]
4	AP8144565	Nylon washer	1	
5	858884	Fuel pipe	1	
6	858885	Front support	1	
7	AP8144713	Rubber spacer	1	
8	858887	T bush	1	
9	AP8150536	Special washer	1	
10	893107	Bracket	1	
11	AP8161127	Fixing pin	1	
12	576836	screw	2	
13	893273	Spacer	2	
14	AP8120663	Rubber spacer *	2	
15	AP8152273	Screw w/ flange M5X15	6	
16	858886	LH support	1	
17	858726	Fuel pump cpl.	1	<b>Country:</b> Australia[AU], Canadian[CA], Japan[J], United States of America[USA]

<b>Group</b>	FRAME
<b>Code</b>	28.14
<b>Description</b>	Fuel tank
<b>Service</b>	1



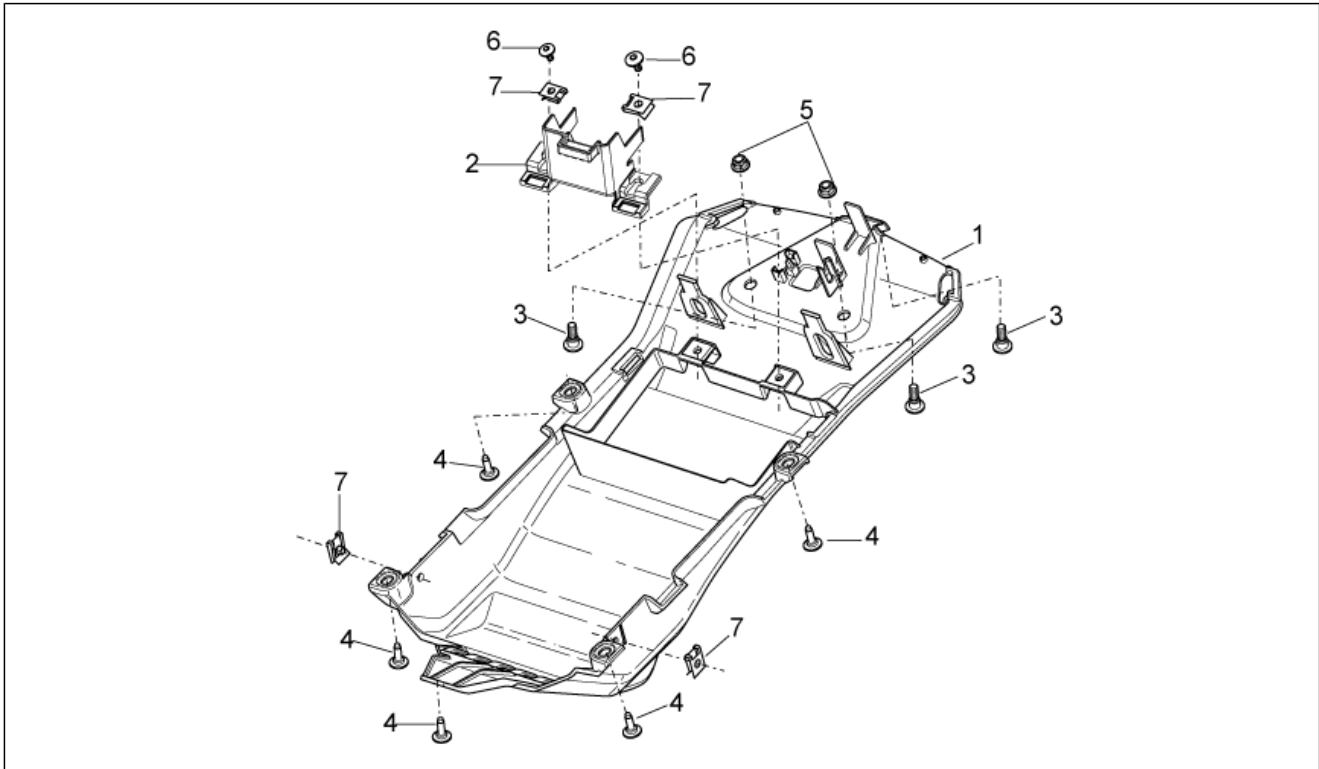
Pos.	Code	Description	Qty	Variants
17	B043925	Fuel pump cpl.	1	Country:europe[EU]
18	AP8152246	Screw w/ flange M6x16	4	
19	AP8150285	Hex socket screw M6x35	1	
20	AP8152339	Screw w/ flange M5x9	1	
21	AP8150538	Hex socket screw M5x10	1	
22	AP8102375	Clip m5	1	
23	AP8150505	Hex socket screw m4x6 inox	1	
24	AP8150255	Washer 5x20x1,5	1	
25	B043929	Fuel filler cap and lock	1	
26	B043864	Hex socket screw M5x14	4	
27	AP8104803	Fuel filler cap gasket	1	
28	894192	Decal "33 world champ"	1	
29	895039	Tank guard decal	1	Vehicle colour:Black Aprilia (s.t.895260)[blk]
29	895539	Tank guard decal	1	Vehicle colour:Glam White (s.t.895260)[glam]
30	893758	Right tank decal "aprilia"	1	
31	AP8220366	Rubber spacer	2	
32	AP8144158	Rubber spacer	2	
33	895959	Breather pipe	2	
34	899068	Fuel level sensor	1	
35	894198	Heat protection	1	

<b>Group</b>	FRAME
<b>Code</b>	28.15
<b>Description</b>	Saddle
<b>Service</b>	1



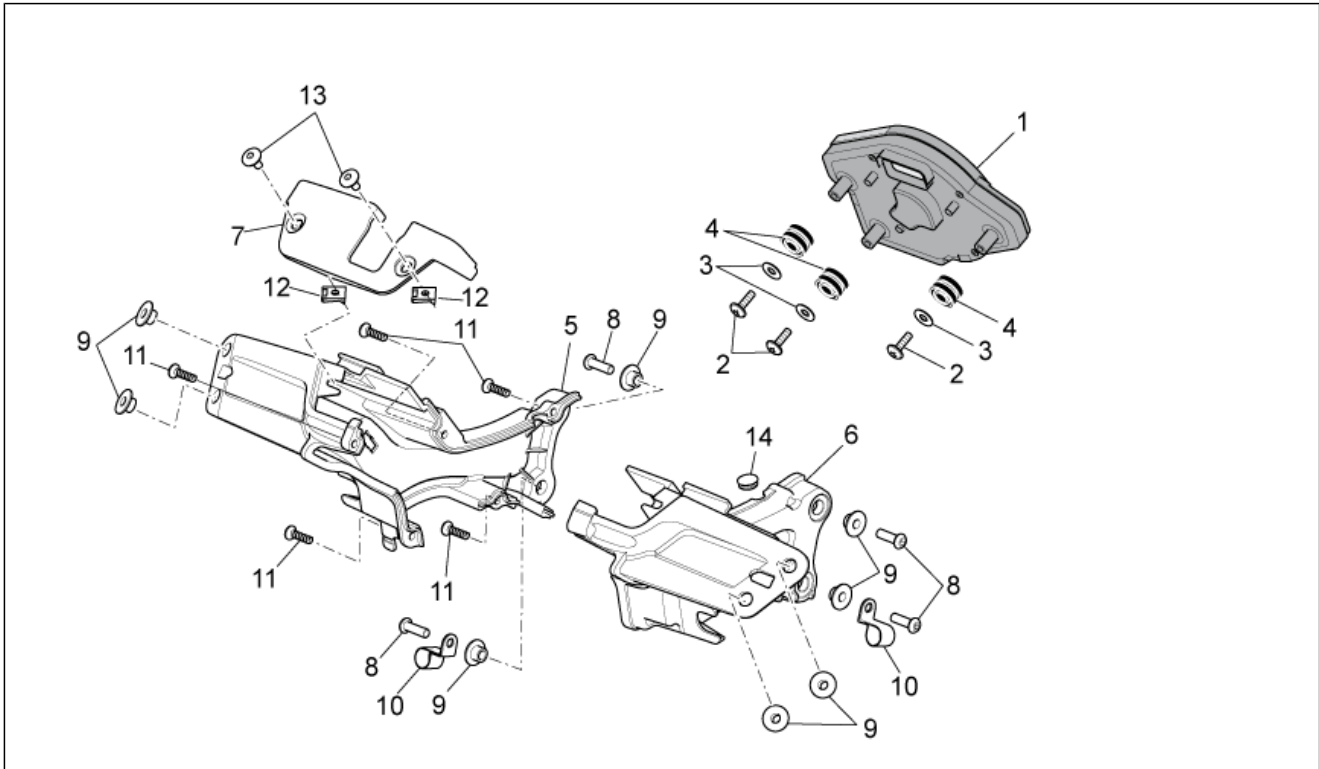
Pos.	Code	Description	Qty	Variants
1	85883200A1	Driver saddle	1	
2	AP8152302	Screw w/ flange M5x12	2	
3	89382400A1	Rear saddle	1	
4	85884400A1	Belt	1	
5	AP8120177	Headlight supp.snap	1	
6	269783	screw	2	
7	AP8150020	Washer 10,5x21x2*	2	
8	894195	Hex key	1	
9	B043933	Pad	2	
10	B043941	Pad	2	
11	B043933	Pad	8	

<b>Group</b>	FRAME
<b>Code</b>	28.16
<b>Description</b>	Undersaddle
<b>Service</b>	1



Pos.	Code	Description	Qty	Variants
1	858836	Saddle supp.lower lockup	1	
2	893751	Bracket	1	
3	575249	Screw with shank M6	3	
4	AP8152302	Screw w/ flange M5x12	4	
5	AP8152299	Self-locking nut M6	2	
6	AP8152298	Screw w/ flange M5x16	2	
7	AP8102375	Clip m5	2	

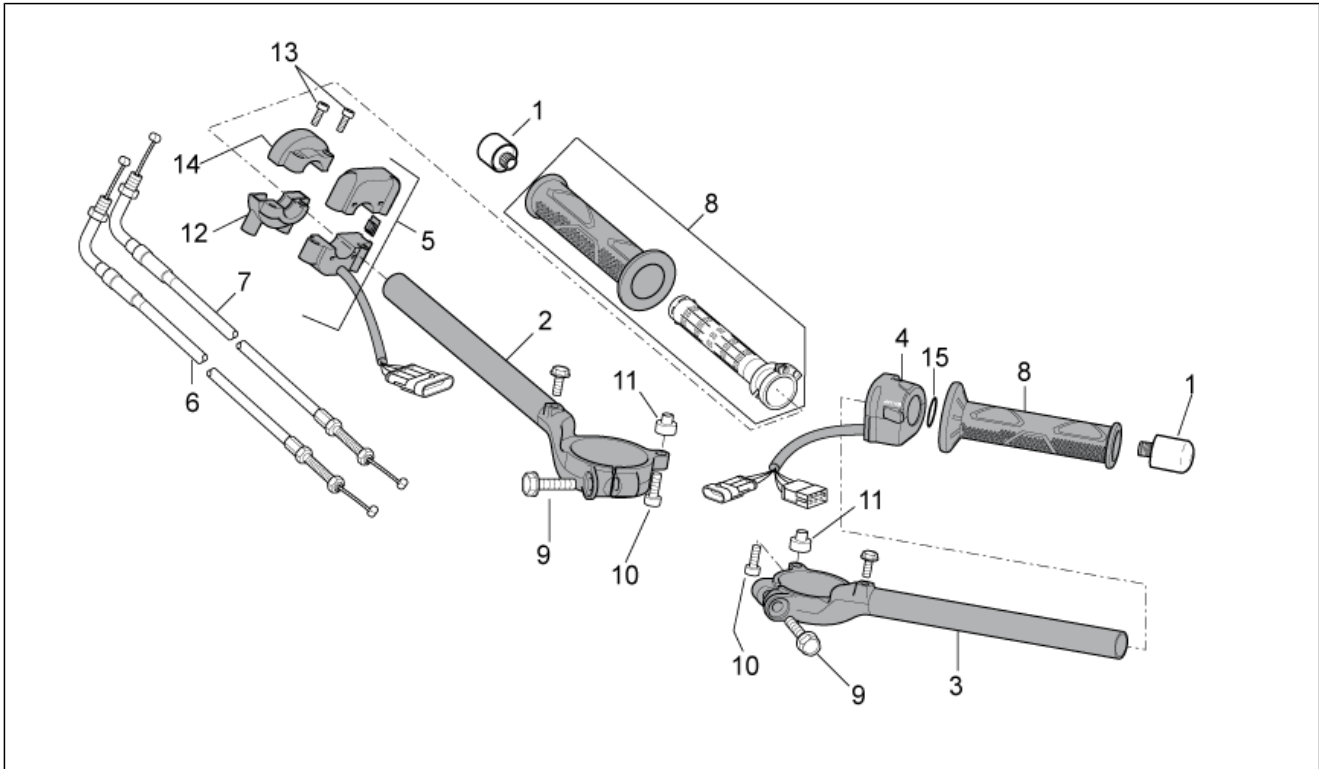
<b>Group</b>	FRAME
<b>Code</b>	28.17
<b>Description</b>	Dashboard
<b>Service</b>	1



Pos.	Code	Description	Qty	Variants
1	858719	Dashboard	1	
2	AP8150509	Self-tap screw 5x14	3	
3	AP8150255	Washer 5x20x1,5	3	
4	AP8220150	Rubber spacer	3	
5	896151	RH support	1	
6	896152	LH support	1	
7	890787	Cover	1	
8	AP8224470	Hex socket screw M6x20	4	
9	AP8121728	T bush *	8	
10	845978	Hose clamp	2	
11	AP8152329	Phillips screw, SWP M5x20	5	
12	AP8102375	Clip m5	2	
13	AP8150500	Hex socket screw M5x9	2	
14	197551	Cover	1	

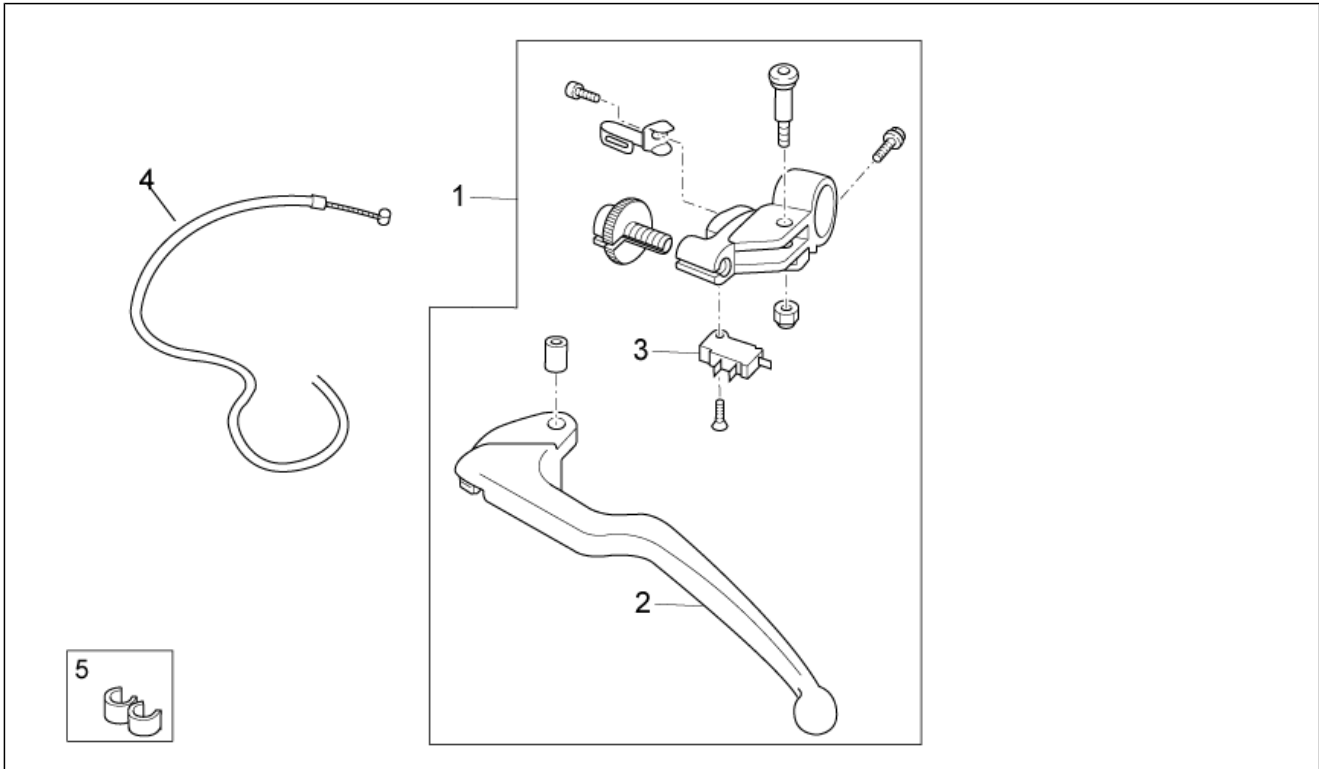


<b>Group</b>	FRAME
<b>Code</b>	28.18
<b>Description</b>	Handlebar - Controls
<b>Service</b>	1



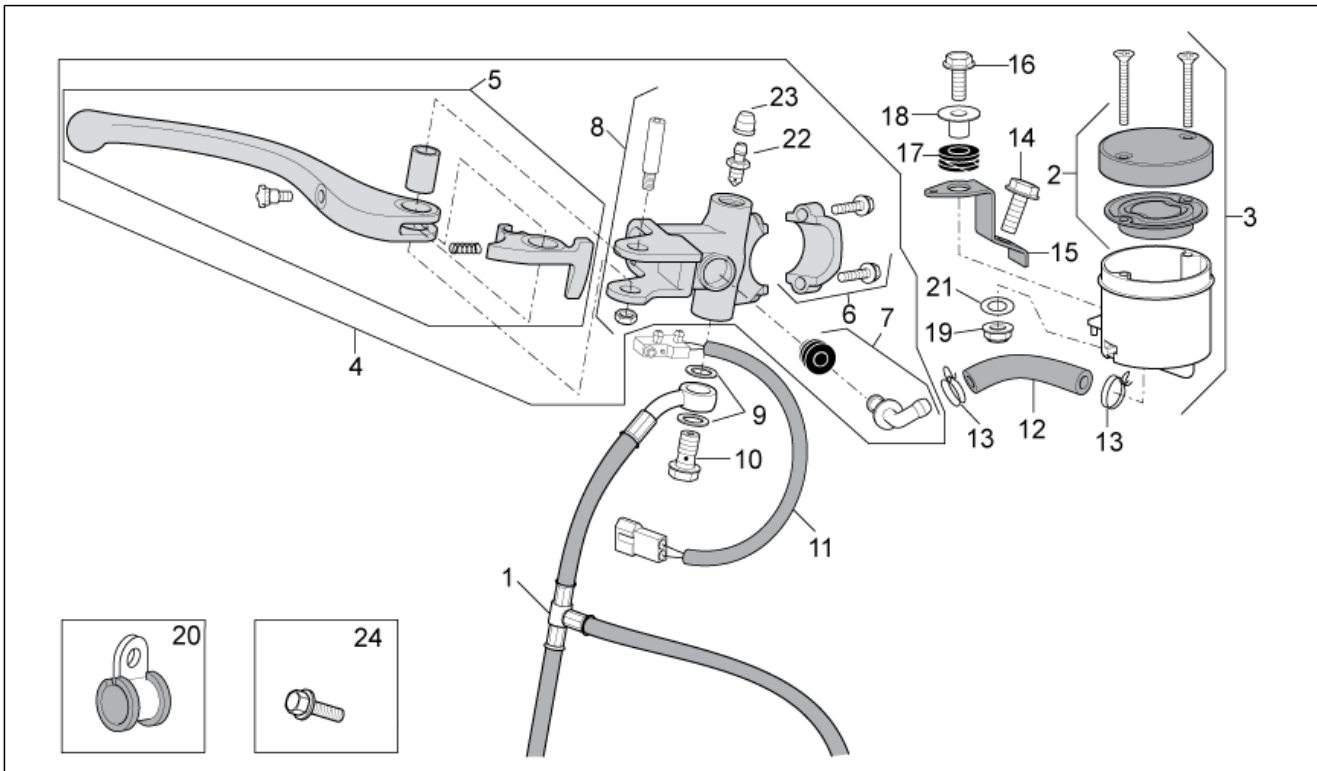
Pos.	Code	Description	Qty	Variants
1	893757	H.bars anti.v weight	2	
2	AP8118649	Right half handlebar d.51,1	1	
3	890981	Left half handlebar	1	
4	858721	LH lights selector	1	
5	851998	Engine stop-start device	1	
6	893150	Gas trasmission delivery	1	
7	893151	Gas trasmission return	1	
8	AP8118501	Handgrip pair, black	1	
9	AP8150543	Screw M8x35	2	
10	AP8150137	Hex socket screw	2	
11	AP8221043	Spacer bush *	2	
12	AP8118502	Front gas lever U-bolt	1	
13	AP8150050	Hex socket screw M5x16	2	
14	AP8118503	Rear gas lever U-bolt	1	
15	AP8120190	O-ring 3075	1	

<b>Group</b>	FRAME
<b>Code</b>	28.19
<b>Description</b>	Clutch pump
<b>Service</b>	1



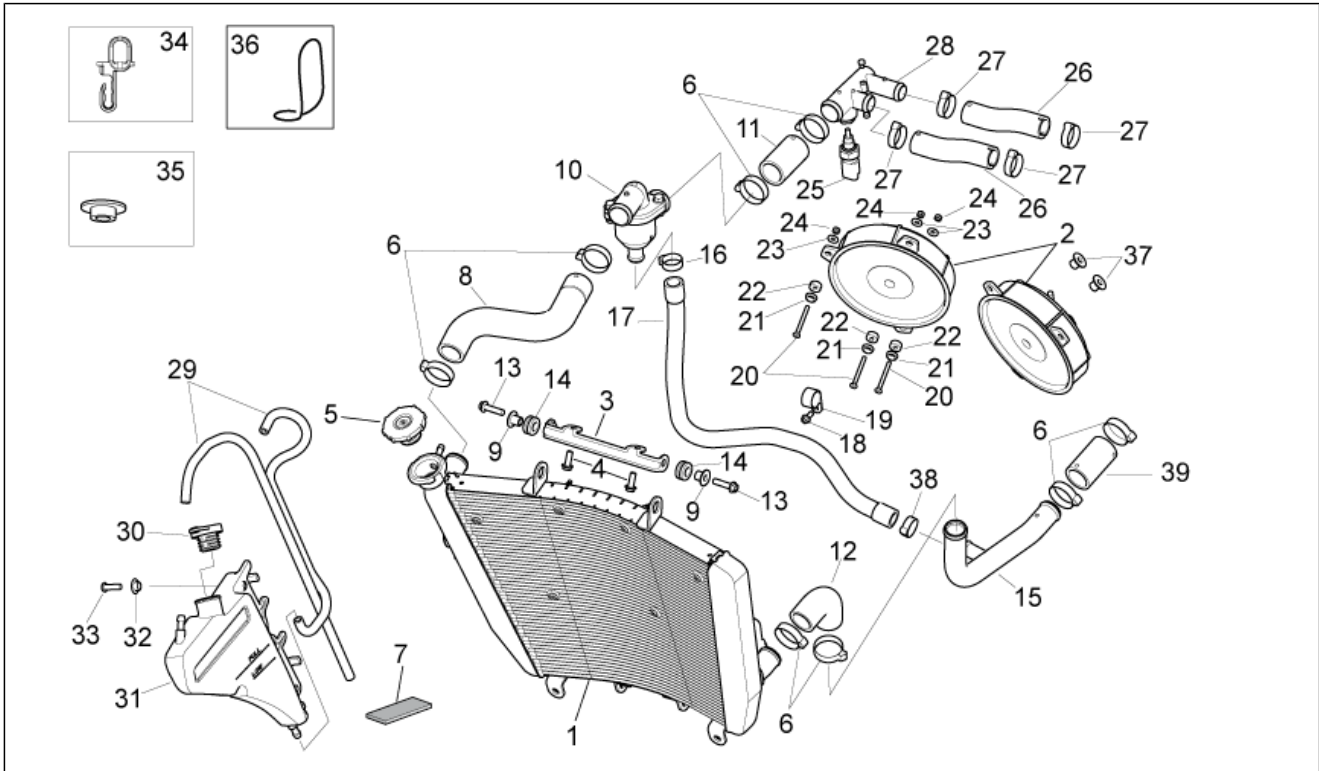
Pos.	Code	Description	Qty	Variants
1	890923	Clutch lever cpl.	1	
2	893926	Clutch lever	1	
3	893927	Switch	1	
4	890982	Clutch cable	1	
5	AP9100519	Spring	1	

<b>Group</b>	FRAME
<b>Code</b>	28.20
<b>Description</b>	Front master cilinder
<b>Service</b>	1



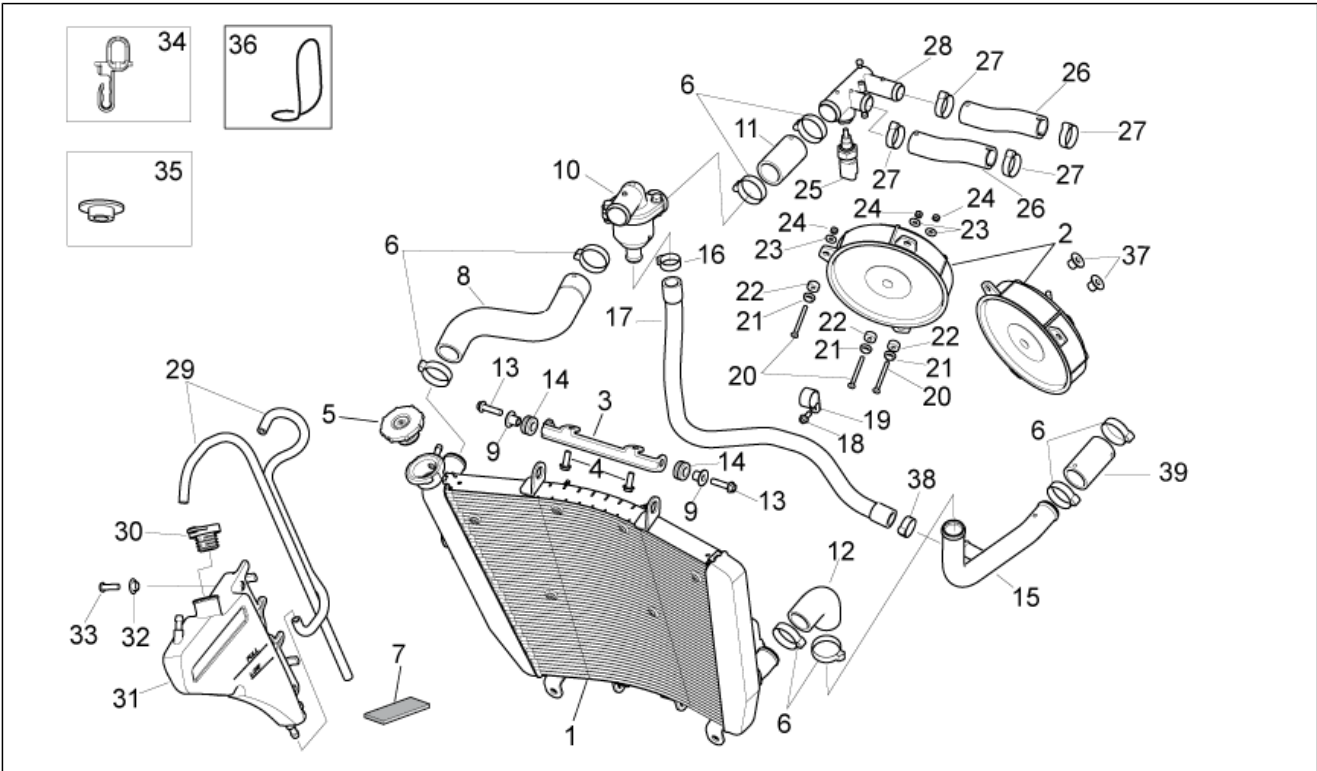
Pos.	Code	Description	Qty	Variants
1	858898	Front brake hose	1	
2	AP8113598	Pil brake tank plug	1	
3	AP8113499	Brake oil tank	1	
4	890791	Front master cilinder	1	
5	AP8133664	Front brake lever	1	
6	893937	U-bolt	1	
7	AP8213057	Rear brake pump union	1	
8	AP8133666	Lever pin	1	
9	AP8113004	Washer 10x14x1,6*	2	
10	852702	Oil pipe screw	1	
11	AP8127432	Stop switch	1	
12	890509	Rubber pipe	1	
13	AP8101595	Hose clamp D10,1	2	
14	AP8150340	Hex socket screw	1	
15	AP8134383	Oil tank plate	1	
16	AP8152137	Hex socket screw M6x20	1	
17	AP8120030	Rubber spacer	1	
18	AP8221023	T bush	1	
19	AP8150474	Stainless cap nut M6	1	
20	AP8134167	Brake hose hanger	1	
21	AP8150429	Spring washer 6,4x11x0,5*	1	
22	AP8133502	Air bleed valve	1	
23	AP8113230	Bleed valve cap	1	
24	AP8152273	Screw w/ flange M5X15	1	

<b>Group</b>	FRAME
<b>Code</b>	28.21
<b>Description</b>	Cooling system
<b>Service</b>	1



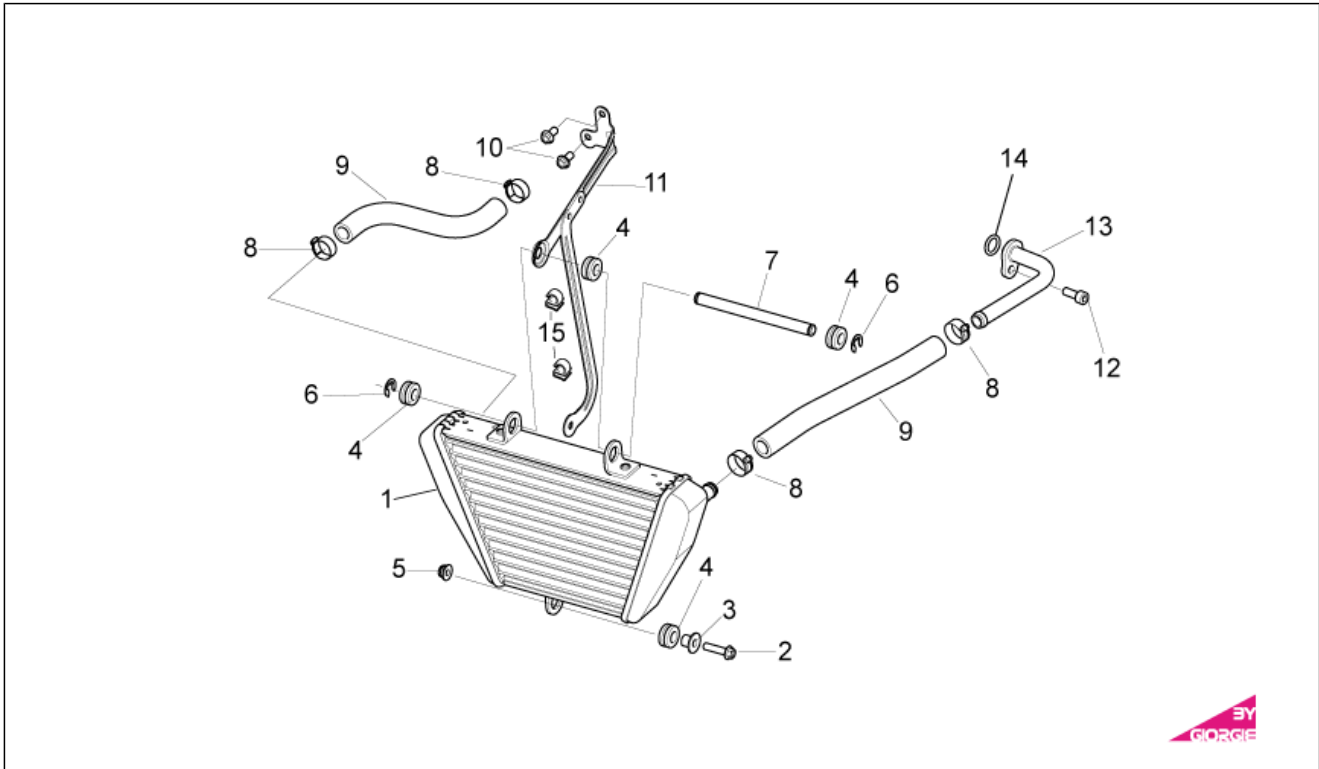
Pos.	Code	Description	Qty	Variants
1	858789	Water cooler	1	
2	622055	Fan, cpl.	2	
3	AP8134775	Water cooler upper support	1	
4	895915	Hex socket screw	2	
5	893954	Cover	1	
6	890931	Hose clamp	10	
7	AP8117033	Adhesive sponge	2	
8	858476	Thermostat-cooler pipe	1	
9	AP8221023	T bush	2	
10	856279	Thermostat valve set 75°C	1	
11	858477	Hose	1	
12	AP8144033	Thermostat-pump pipe	1	
13	AP8152280	Screw w/ flange M6x25	2	
14	AP8120030	Rubber spacer	2	
15	858488	Cooler-pump pipe	1	
16	AP8102273	Hose clip	2	
17	858478	Thermostat-engine pipe	1	
18	AP8152272	Screw w/ flange M5x12	1	
19	893224	Hose clamp	1	
20	893514	Screw	6	
21	893823	Washer d4,5	6	
22	893513	Spacer	6	
23	AP8150011	Washer 4,3x12x1	6	
24	AP8150204	Nut M4	6	
25	640485	Temperature gauge	1	
26	858475	Engine-manifold pipe	2	
27	AP9100456	Hose clip 26x8	4	
28	856543	Manifold	1	

<b>Group</b>	FRAME
<b>Code</b>	28.21
<b>Description</b>	Cooling system
<b>Service</b>	1



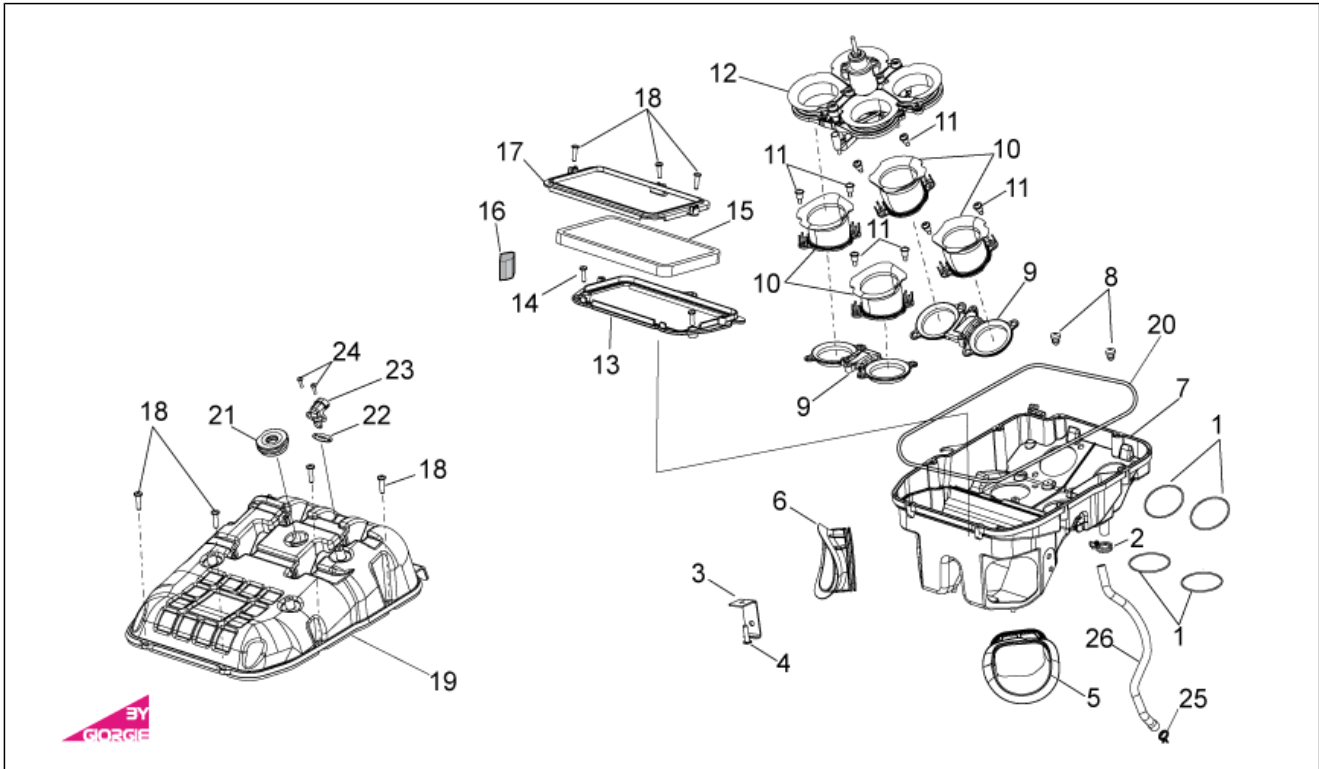
Pos.	Code	Description	Qty	Variants
29	AP8120952	Fuel pipe 5,5x10	1	
30	AP8104836	Expansion tank plug	1	
31	858908	Expansion tank	1	
32	AP8221145	T bush *	1	
33	AP8152279	Screw w/ flange M6x20	1	
34	893898	Cable-guide	1	
35	AP8121991	Bush	1	
36	AP8221150	Cable-guide	1	
37	895450	Bush	2	
38	AP8102273	Hose clip	1	
39	AP8144720	Hose	1	

<b>Group</b>	FRAME
<b>Code</b>	28.22
<b>Description</b>	Oil radiator
<b>Service</b>	1



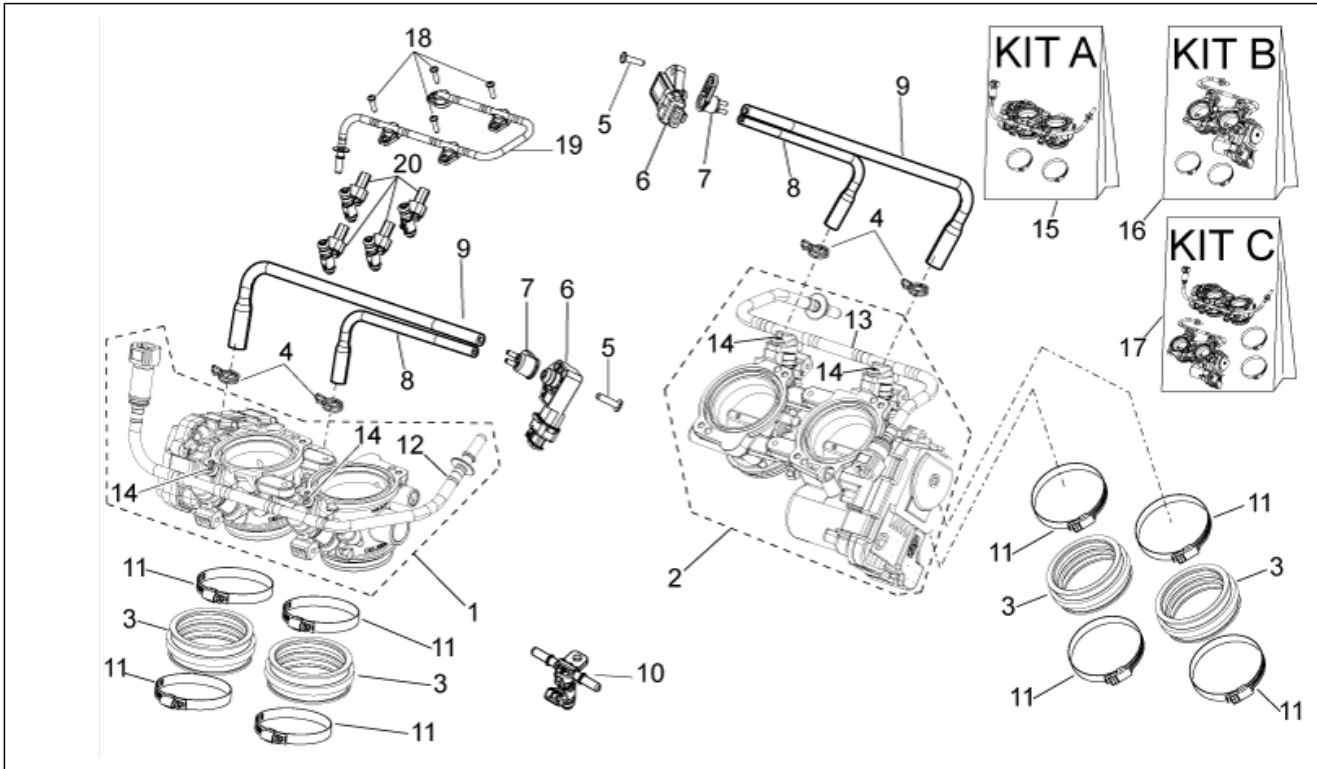
Pos.	Code	Description	Qty	Variants
1	858790	Oil cooler	1	
2	AP8152280	Screw w/ flange M6x25	1	
3	AP8221023	T bush	1	
4	AP8120030	Rubber spacer	4	
5	AP8152299	Self-locking nut M6	1	
6	AP8121428	Circlip d8	2	
7	858927	Spacer	1	
8	AP8102349	White hose clip D17,5x8	4	
9	AP8106389	Oil pipe 12x19	2	
10	AP8152277	Screw w/ flange M6x12	2	
11	858732	Water cooler support	1	
12	AP8150137	Hex socket screw	1	
13	858489	Pipe	1	
14	AP8144008	O-ring 115	1	
15	AP8201727	Black cable guide	2	

<b>Group</b>	FRAME
<b>Code</b>	28.23
<b>Description</b>	Air box
<b>Service</b>	1



Pos.	Code	Description	Qty	Variants
1	893240	O-ring 56,82X2,62	4	
2	CM002912	Hose clamp	1	
3	890938	Bracket	1	
4	AP8152329	Phillips screw, SWP M5x20	1	
5	858880	LH Hose	1	
6	858932	RH Hose	1	
7	858876	Filter housing base	1	
8	AP8144087	Rubber spacer	2	
9	893915	Maintenance	2	
10	893916	Intake opening	4	
11	893132	screw	8	
12	893887	Mobile system trumpets	1	
13	858877	Maintenance	1	
14	AP8152329	Phillips screw, SWP M5x20	2	
15	858930	Air filter	1	
16	894015	Filter blow-by	1	
17	858878	Frame	1	
18	AP8152329	Phillips screw, SWP M5x20	15	
19	858875	Filter housing cover	1	
20	858881	Gasket	1	
21	893752	Rubber spacer	1	
22	GU30027931	Gasket	1	
23	GU30729330	Air temp. Sensor	1	
24	AP8150421	Self-tap screw 2,9x12	1	
25	CM001927	Hose clamp	1	
26	858808	pipe blow-by	1	

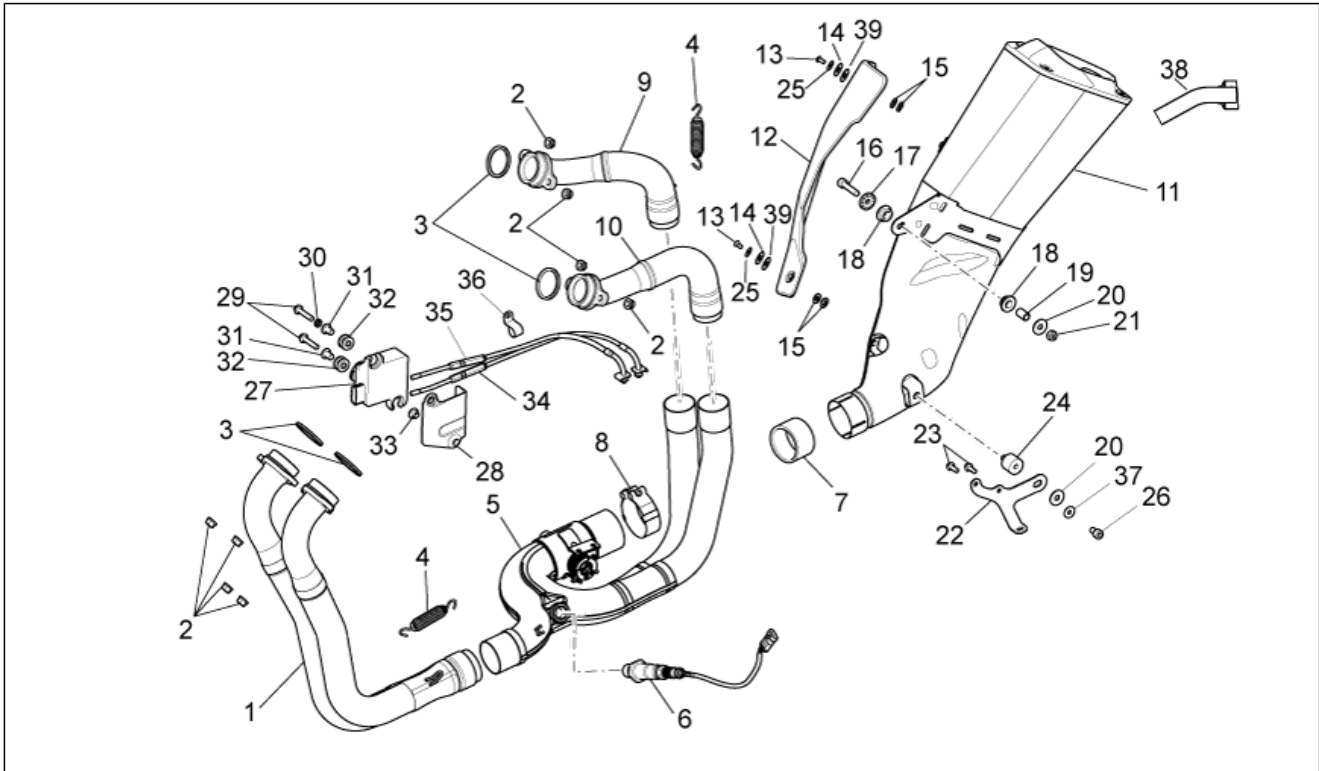
<b>Group</b>	FRAME
<b>Code</b>	28.24
<b>Description</b>	Throttle body
<b>Service</b>	1



Pos.	Code	Description	Qty	Variants
1	857303	Front Throttle body	1	
2	857304	Rear Throttle body	1	
3	857305	Union	4	
4	CM002903	Hose clamp	4	
5	AP8152329	Phillips screw, SWP M5x20	2	
6	638562	Air pressure sensor	2	
7	894658	Joint	2	
8	858874	pipe	2	
9	858873	pipe	2	
10	893934	Injector	4	
11	857306	Hose clamp	8	
12	896565	Fuel pipe, cpl. ant.	1	
13	896566	Fuel pipe, cpl. post.	1	
14	896567	Sec. screw	4	
15	896573	Throttle body KIT ant.	1	
16	896574	Throttle body KIT post.	1	
17	896575	Throttle body KIT ant. + post.	1	
18	AP8152329	Phillips screw, SWP M5x20	4	
19	858807	Upper fuel rail	1	
20	890769	Injector	4	

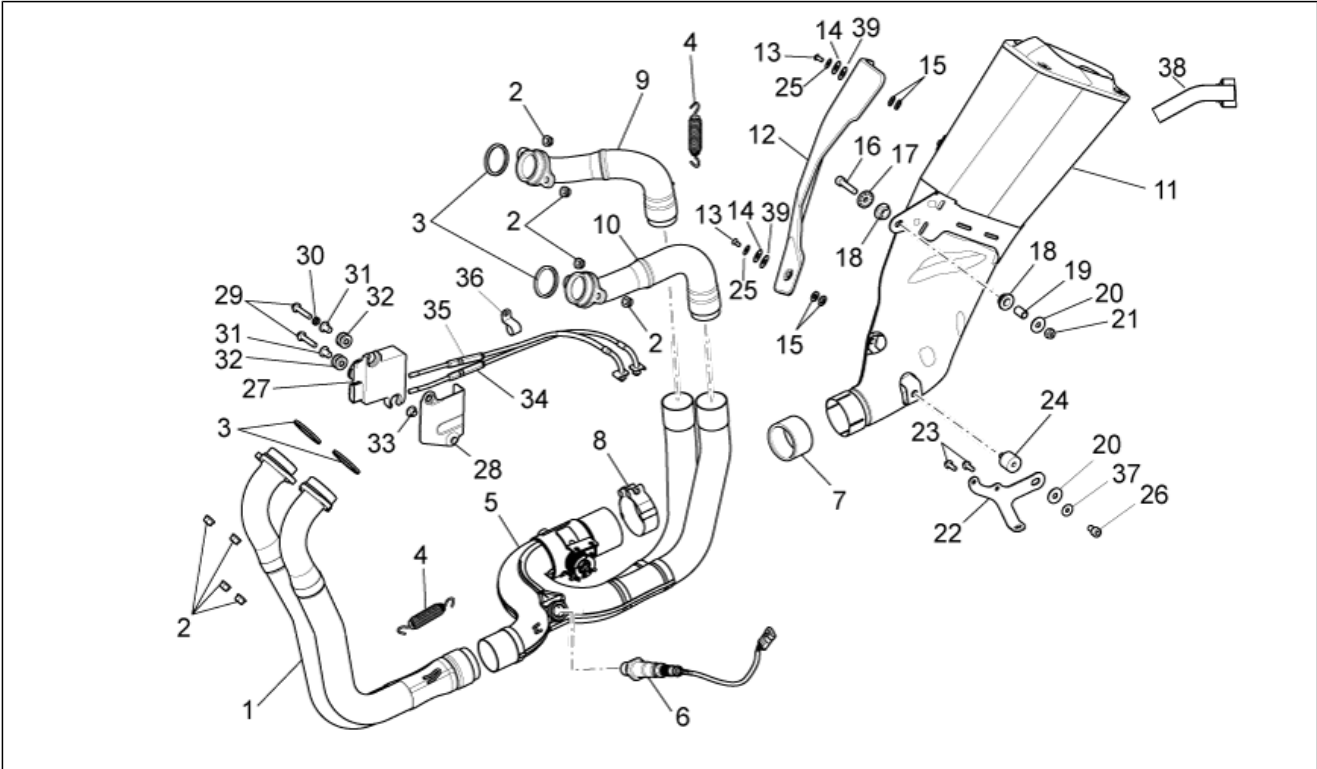


<b>Group</b>	FRAME
<b>Code</b>	28.25
<b>Description</b>	Exhaust pipe
<b>Service</b>	1



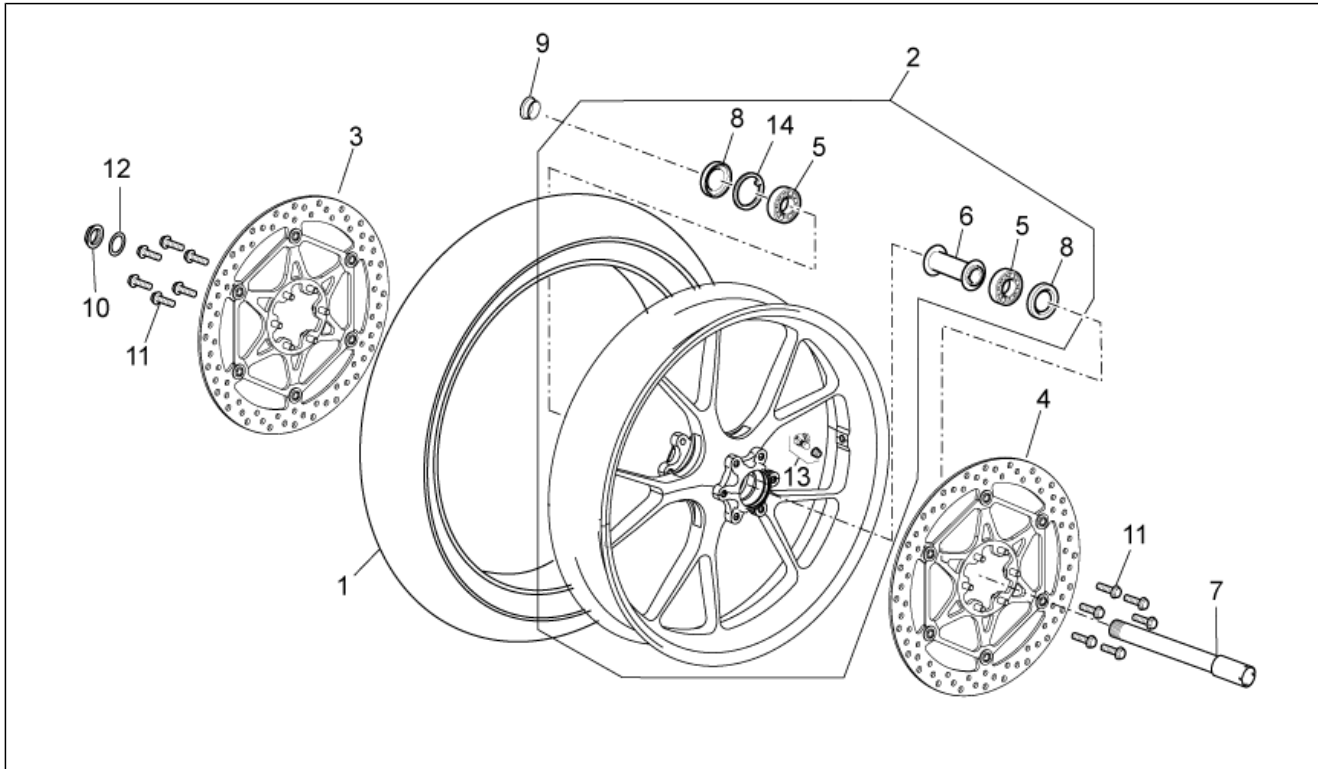
Pos.	Code	Description	Qty	Variants
1	858738	Front. Exhaust pipe	1	
2	436947	Nut	8	
3	852090	Exhaust pipe gasket	4	
4	AP8121170	Spring	3	
5	8587414	Central exhaust manifold	1	
6	584344	Lamda sensor I. 325 mm	1	
7	GU05128230	Gasket	1	
8	851586	LH manifold pipe	1	
9	858739	RH rear exhaust pipe	1	
10	858740	LH rear exhaust pipe	1	
11	8587434	Silencer	1	Country:Australia[AU], Canadian[CA], europe[EU], United States of America[USA]
11	895734	Silencer	1	Country:Japan[J]
12	858745	Silencer protection	1	
13	AP8150538	Hex socket screw M5x10	2	
14	AP8150382	Washer 15x5,5X1,2	2	
15	AP8121862	Washer D8x16x1,5	4	
16	AP8150236	Hex socket screw M8x35	1	
17	AP8121199	Bush	1	
18	AP8144558	Rubber spacer	2	
19	AP8121455	Spacer bush	1	
20	AP8150018	Washer	2	
21	AP8150431	Low nut M8	1	
22	858906	Bracket	1	
23	598839	Screw w/ flange	2	
24	894228	Silent-block	1	
25	AP8150272	Curved spring washer 5,3x10x0,5	2	
26	AP8152112	Hex socket screw	1	

<b>Group</b>	FRAME
<b>Code</b>	28.25
<b>Description</b>	Exhaust pipe
<b>Service</b>	1



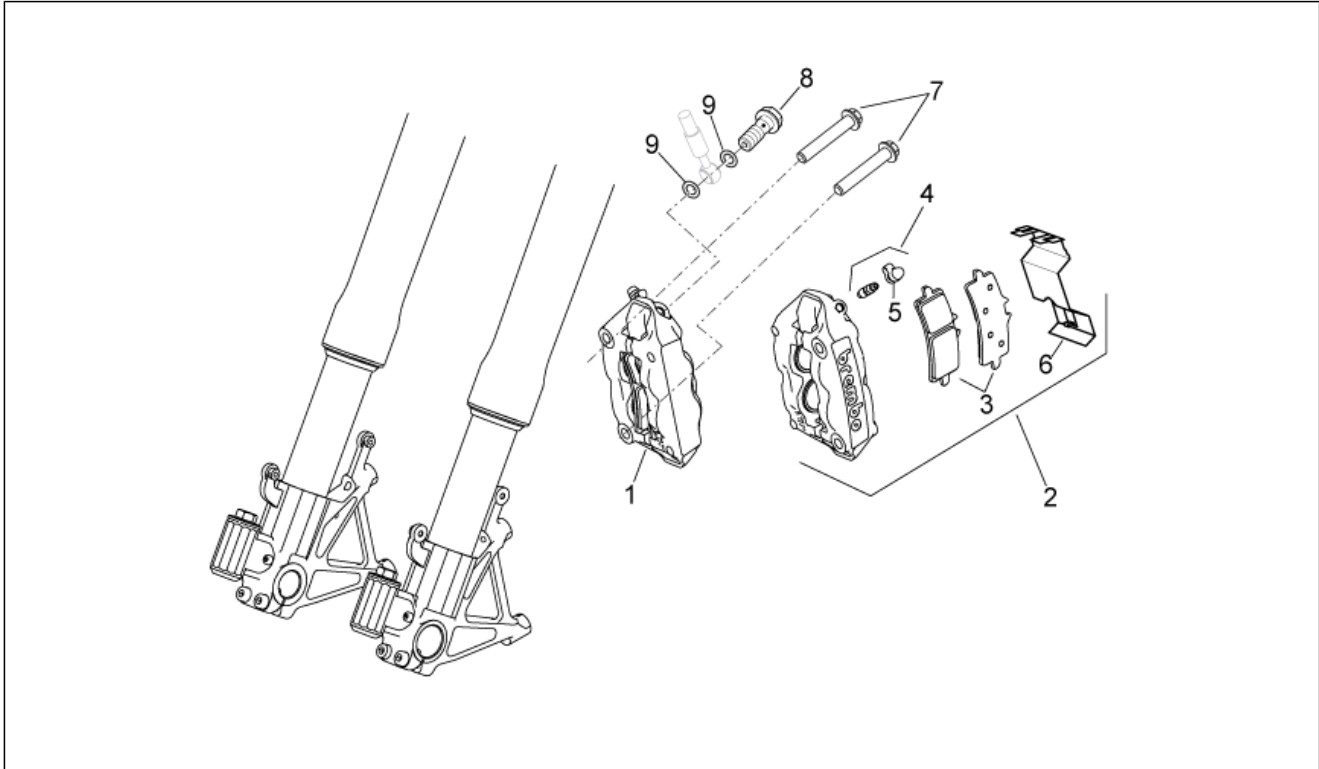
Pos.	Code	Description	Qty	Variants
27	858722	Exhaust valve actuator	1	
28	890928	Heat protection	1	
29	AP8152281	Screw w/ flange M6x30	2	
30	AP8134640	Air box spacer	1	
31	AP8121725	T bush *	2	
32	AP8120223	Rubber spacer *	2	
33	840509	Spacer	1	
34	896141	Gas trasmission return	1	
35	896142	Gas trasmission delivery	1	
36	845978	Hose clamp	1	
37	AP8150376	Washer 8,5x15x0,8	1	
38	895832	DB killer	1	Country:Japan[J]
39	AP8163165	Stainless washer 16x8.4x1.6	2	

<b>Group</b>	FRAME
<b>Code</b>	28.26
<b>Description</b>	Front wheel
<b>Service</b>	1



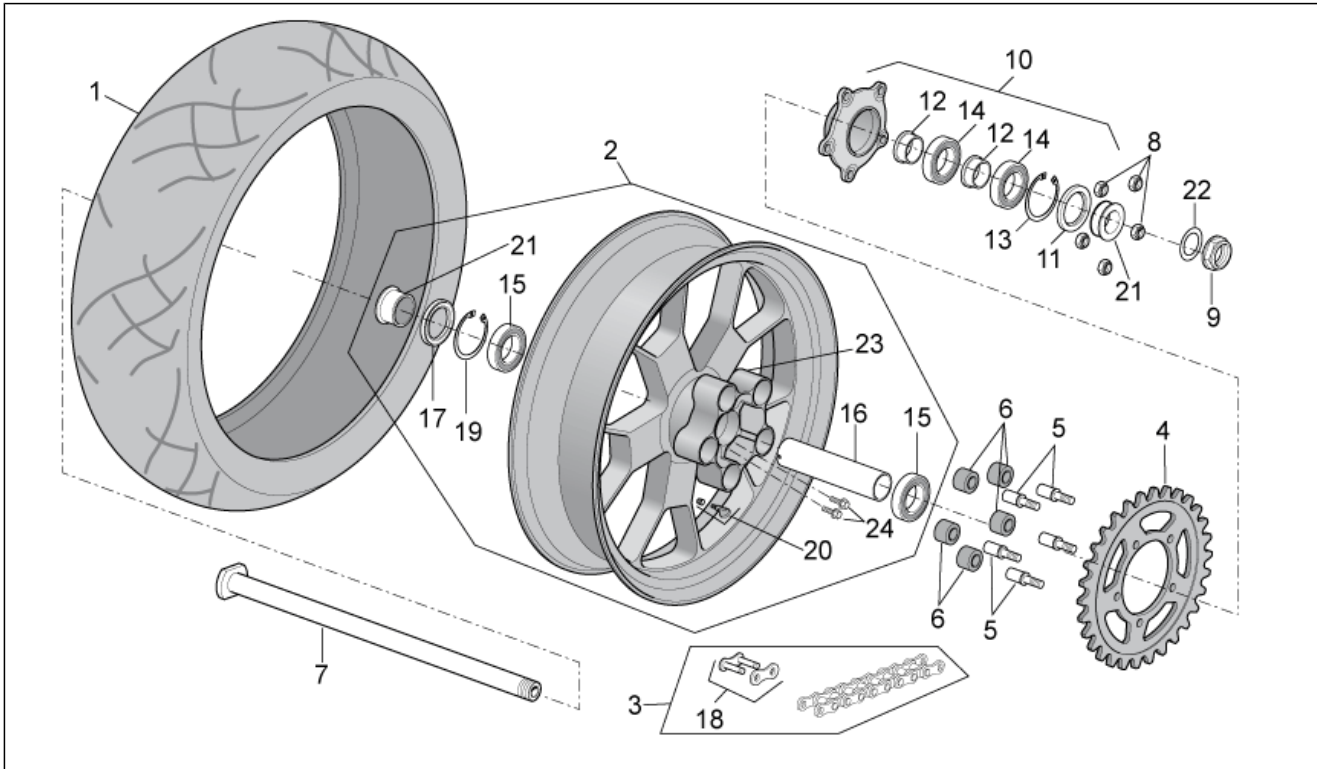
Pos.	Code	Description	Qty	Variants
1	895702	Front/rear tyre 120/70-17" Pirelli	1	
2	AP8128228	Front wheel, black	1	
3	893135	RH front brake disc	1	
4	893136	LH front brake disc	1	
5	AP8125777	Ball bearing 25x47x12	2	
6	AP8128169	Internal spacer	1	
7	AP8125827	Front wheel spindle	1	
8	AP8125773	Gasket ring 30x47x7	2	
9	AP8125728	Front RH whe.ou.spacer	1	
10	AP8152335	Wheel spindle nut	1	
11	AP8152286	Screw w/ flange M8x20	12	
12	AP8152323	Washer 25,2x36x1	1	
13	AP8101744	Tubeless tyre valve	1	
14	AP8125779	Circlip	1	

<b>Group</b>	FRAME
<b>Code</b>	28.27
<b>Description</b>	Front brake caliper
<b>Service</b>	1



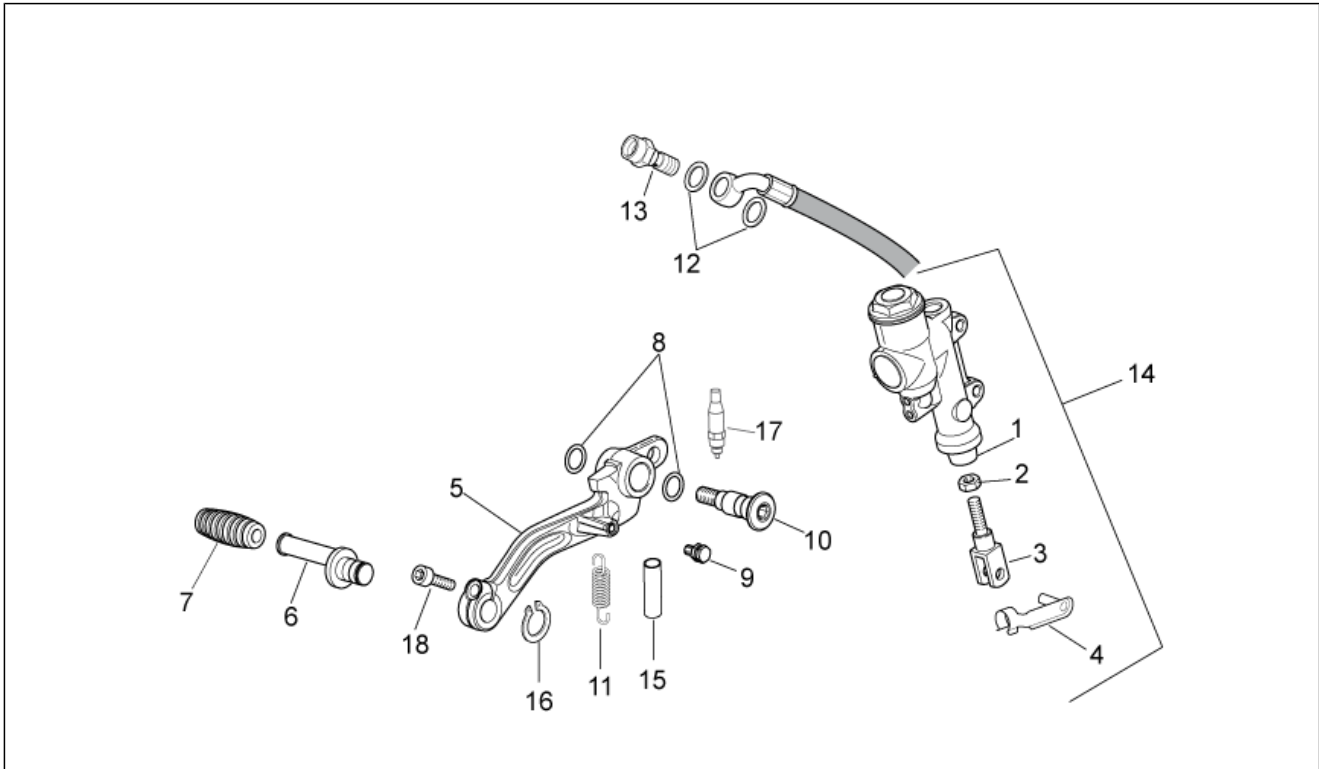
Pos.	Code	Description	Qty	Variants
1	858896	RH front brake caliper	1	
2	858897	LH front brake caliper	1	
3	893931	Pads pair	2	
4	AP8133824	Air bleed valve	2	
5	AP8113230	Bleed valve cap	2	
6	896576	Spring	2	
7	AP8152414	Screw w/ flange M10x55	4	
8	852702	Oil pipe screw	2	
9	AP8113004	Washer 10x14x1,6*	4	

<b>Group</b>	FRAME
<b>Code</b>	28.28
<b>Description</b>	Rear wheel
<b>Service</b>	1



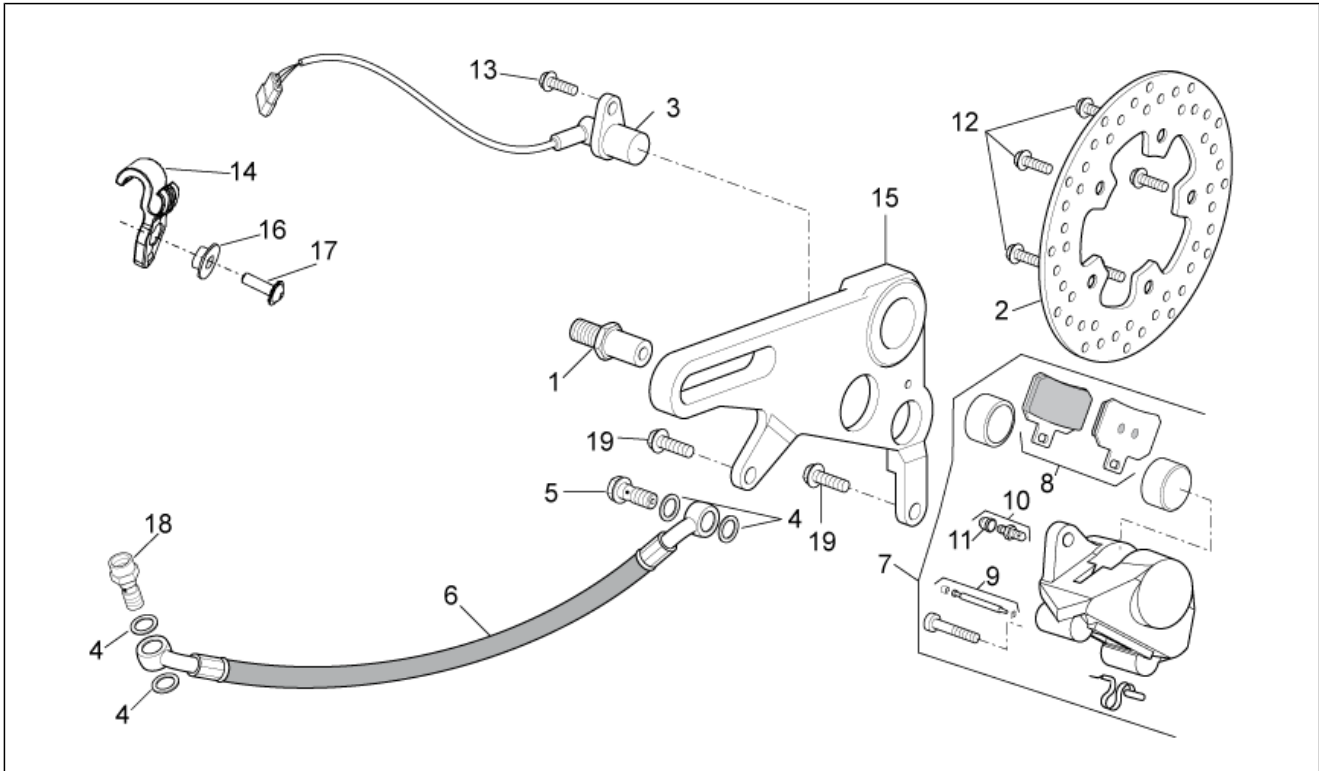
Pos.	Code	Description	Qty	Variants
1	895703	Rear tyre 180/55 ZR 17" Pirelli	1	
2	895228	Rear wheel, black	1	
3	851612	Chain cpl conn.link	1	
4	CM224901	Chain ring Z=40	1	
5	B045033	Pin	5	
6	AP8125731	Flexible coupling rubber	5	
7	858731	Rear wheel spindle	1	
8	AP8150436	Low self-locking nut	5	
9	AP8152324	Wheel spindle nut M25x1,5	1	
10	AP8125730	Crown holder cpl.	1	
11	AP8121213	Gasket ring 38x55x7	1	
12	AP8125732	Spring drive spacer	2	
13	AP8121212	Inside circlip d55	1	
14	AP8110081	Bearing 30x55x13	2	
15	AP8106806	Bearing 6205-2rs1 25x52x15	2	
16	AP8128170	Internal spacer	1	
17	AP8125838	Gasket ring 38x52x7	1	
18	859754	Connecting link	1	
19	AP8125788	Circlip	1	
20	AP8101744	Tubeless tyre valve	1	
21	AP8121592	Rear wheel spacer	2	
22	AP8152323	Washer 25,2x36x1	1	
23	AP8128231	Rear wheel spring drive holder	1	
24	AP8150195	Hex socket screw M10x30	5	

<b>Group</b>	FRAME
<b>Code</b>	28.29
<b>Description</b>	Rear master cylinder
<b>Service</b>	1



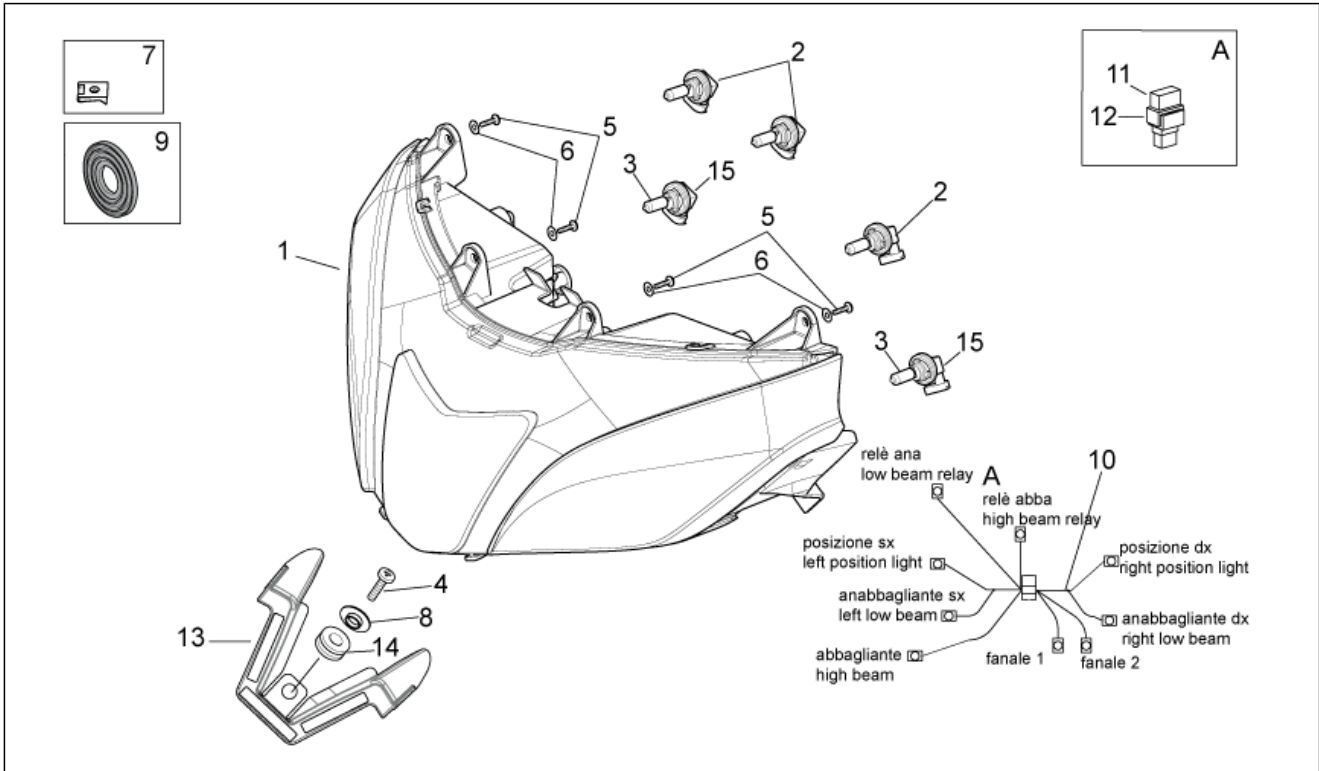
Pos.	Code	Description	Qty	Variants
1	893933	Rubber bellows	1	
2	020006	Nut	1	
3	898694	Push rod set	1	
4	AP8201301	Gear selector fork clips	1	
5	858785	Rear brake lever	1	
6	AP8121221	Brake lever pin	1	
7	AP8120912	Lever rubber	1	
8	AP8144007	O-ring 11,11x1,78	2	
9	859946	Fixing pin	1	
10	AP8121223	Rear brake lever pin	1	
11	893138	Spring	1	
12	AP8113004	Washer 10x14x1,6*	2	
13	852702	Oil pipe screw	1	
14	858943	Rear master cylinder	1	
15	AP8120822	Silent block, spring	1	
16	AP8150462	Circlip d9	1	
17	AP8112996	Microswitch	1	
18	AP8224470	Hex socket screw M6x20	1	

<b>Group</b>	FRAME
<b>Code</b>	28.30
<b>Description</b>	Rear brake caliper
<b>Service</b>	1



Pos.	Code	Description	Qty	Variants
1	898486	Brake supp. plate pin	1	
2	893137	Rear brake disc	1	
3	AP8124528	Speedometer sensor cpl.	1	
4	AP8113004	Washer 10x14x1,6*	4	
5	852702	Oil pipe screw	1	
6	858902	Rear brake hose	1	
7	860880	Rear brake caliper	1	
8	893969	Pads pair	1	
9	AP8113752	Pin+split pin	1	
10	AP8113753	Air bleed valve	1	
11	AP8113230	Bleed valve cap	1	
12	894505	Screw w/ flange M8x18	7	
13	AP8152279	Screw w/ flange M6x20	1	
14	858791	Rear brake hose support	1	
15	AP8134779	Brake hanger plate	1	
16	AP8221349	T bush	1	
17	AP8152298	Screw w/ flange M5x16	1	
18	852702	Oil pipe screw	1	
19	AP8152286	Screw w/ flange M8x20	2	

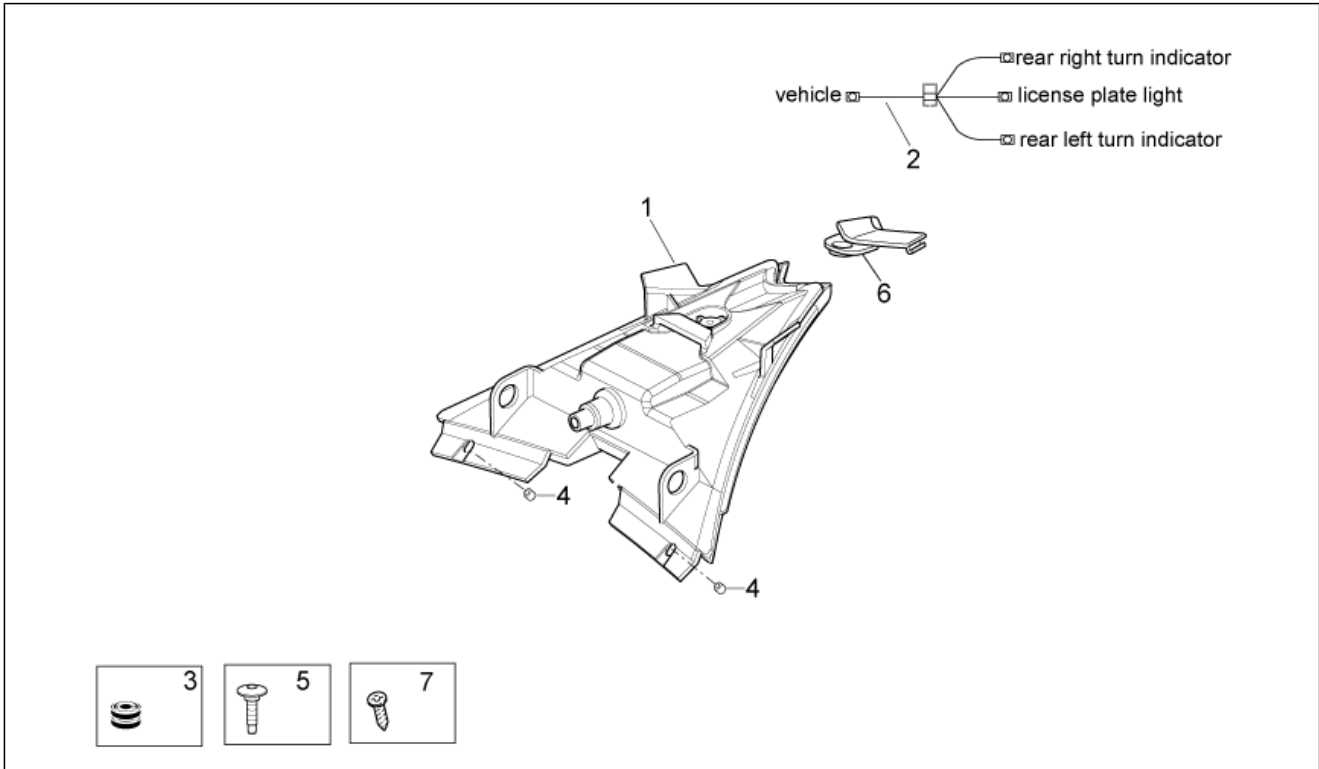
<b>Group</b>	FRAME
<b>Code</b>	28.31
<b>Description</b>	Headlight
<b>Service</b>	1



Pos.	Code	Description	Qty	Variants
1	858703	Headlight	1	
2	640754	Lamp H11 12V 55W	3	
3	893929	Lamp W5WB 2V 5W	2	
4	AP8150515	Light adjustment self-threading screw	3	
5	AP8150509	Self-tap screw 5x14	4	
6	AP8150382	Washer 15x5,5X1,2	4	
7	AP8102375	Clip m5	2	
8	AP8121032	Bush	3	
9	894796	Front headlight guard	3	
10	858867	Headlight wiring w/harness	1	
11	AP8224462	Relay 12V/30A	5	
12	AP8220283	Rubber spacer *	5	
13	894057	Headlight Covers	1	
14	AP8120405	Rubber spacer	3	
15	893930	Lampholder	2	

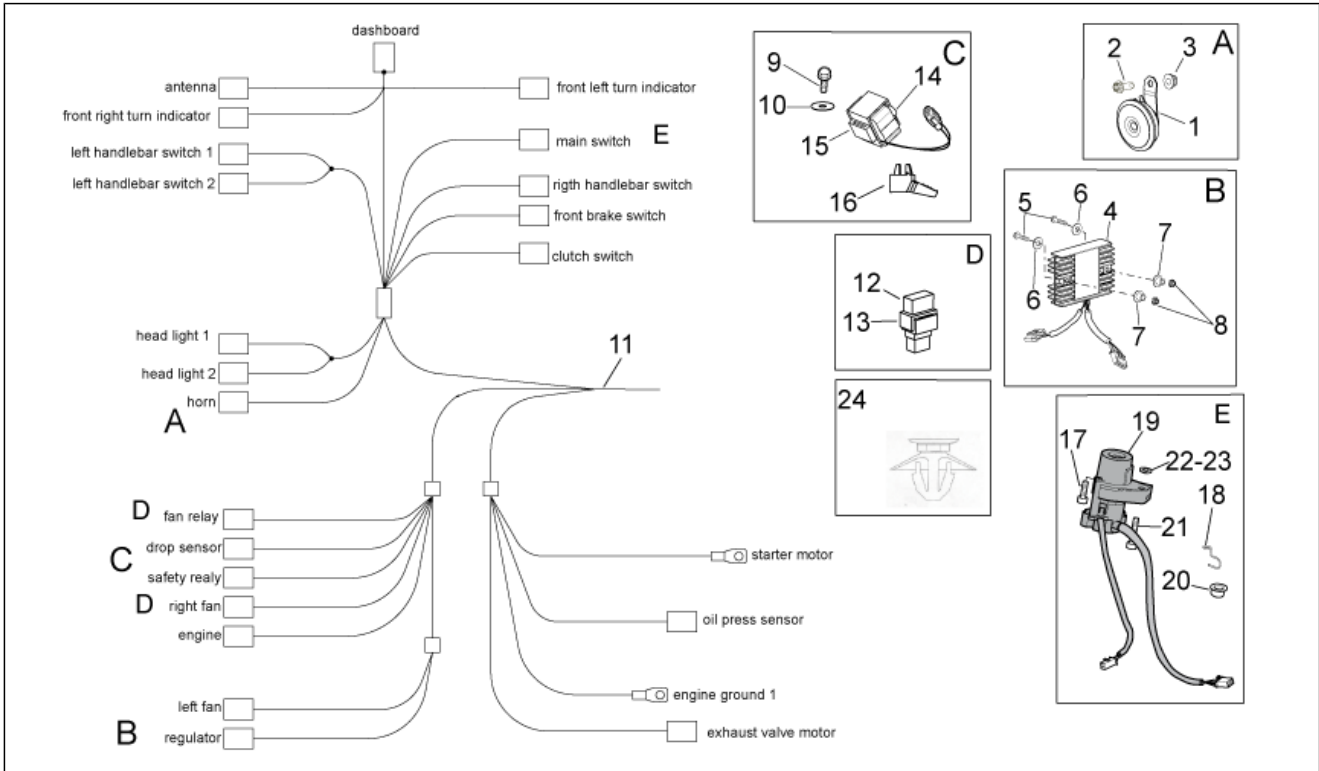


<b>Group</b>	FRAME
<b>Code</b>	28.32
<b>Description</b>	Taillight
<b>Service</b>	1



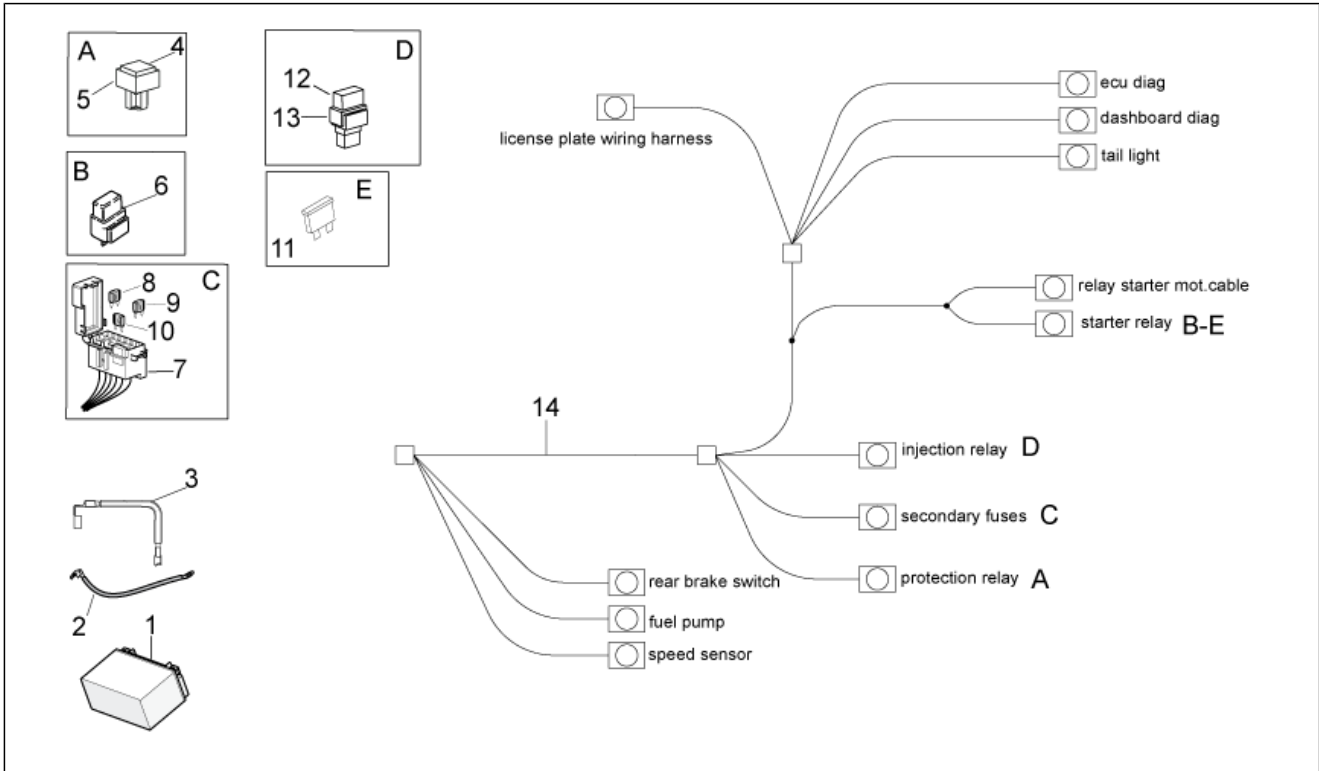
Pos.	Code	Description	Qty	Variants
1	858725	Taillight	1	
2	858868	Taillight wiring harn.	1	
3	AP8220186	Rubber spacer	2	
4	AP8221036	Bushing 5,3x8x7,1	2	
5	AP8152298	Screw w/ flange M5x16	2	
6	858839	Taillight Cover	1	
7	AP8150420	Self-tapping screw *	1	

<b>Group</b>	FRAME
<b>Code</b>	28.33
<b>Description</b>	Electrical system I
<b>Service</b>	1



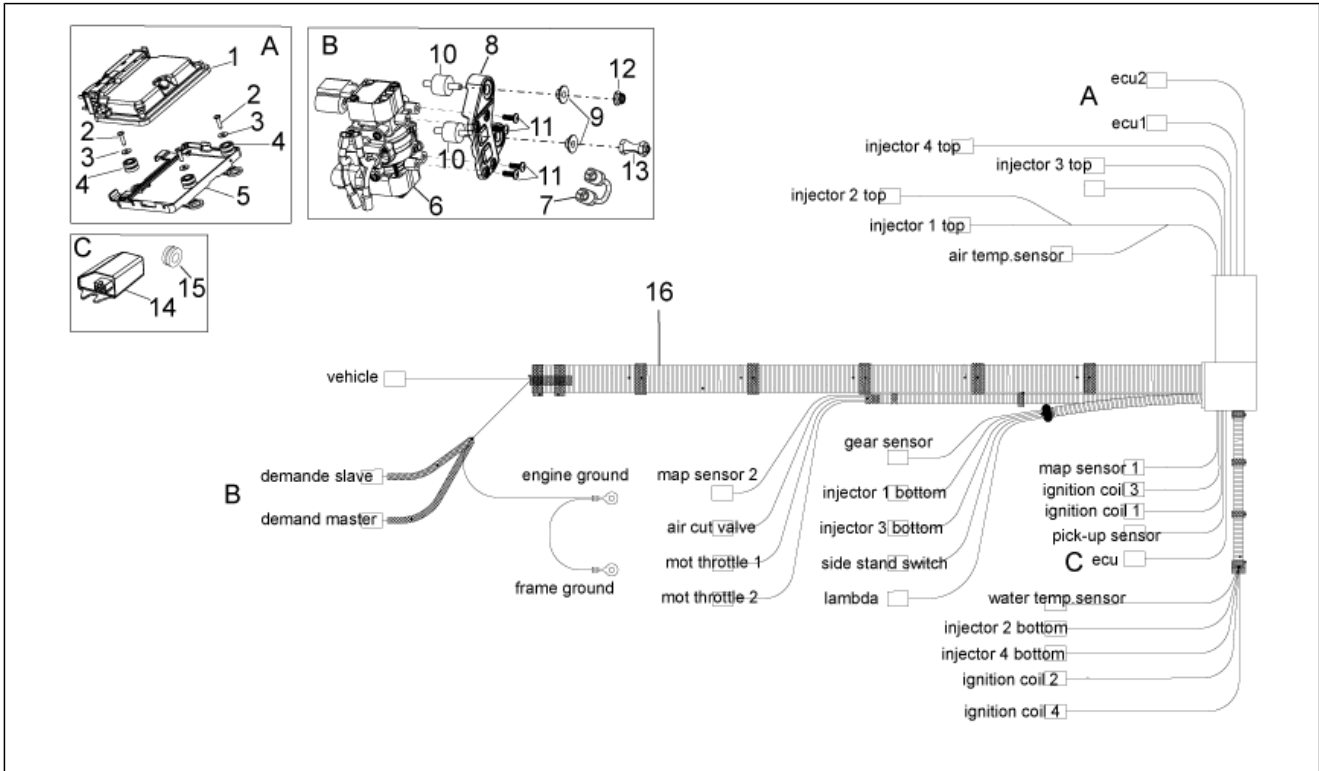
Pos.	Code	Description	Qty	Variants
1	890979	Horn	1	
2	AP8152285	Screw w/ flange	1	
3	AP8150376	Washer 8,5x15x0,8	1	
4	858809	Voltage regulator	1	
5	AP8152128	Hex socket screw M6x30	2	
6	AP8150179	Washer 6,6x18*	2	
7	AP8121075	T bush *	2	
8	AP8152299	Self-locking nut M6	2	
9	AP8152279	Screw w/ flange M6x20	1	
10	AP8121991	Bush	1	
11	895466	Main wiring harness	1	
12	AP8224462	Relay 12V/30A	5	
13	AP8220283	Rubber spacer *	5	
14	584509	Fall sensor	1	
15	AP8144046	Rubber sensor support	1	
16	858916	Maintenance	1	
17	AP8152238	Shear rivet M8x28	1	
18	AP8121475	Fairlead	1	
19	858580	Main switch - steering lock	1	
20	AP8121096	T bush 8,2x12x4	1	
21	AP8150236	Hex socket screw M8x35	1	
22	AP8150017	Washer 8,4x16x1,6	1	
23	AP8152154	Washer 8,4x13*	2	
24	890760	Instrument support	5	

<b>Group</b>	FRAME
<b>Code</b>	28.34
<b>Description</b>	Electrical system II
<b>Service</b>	1



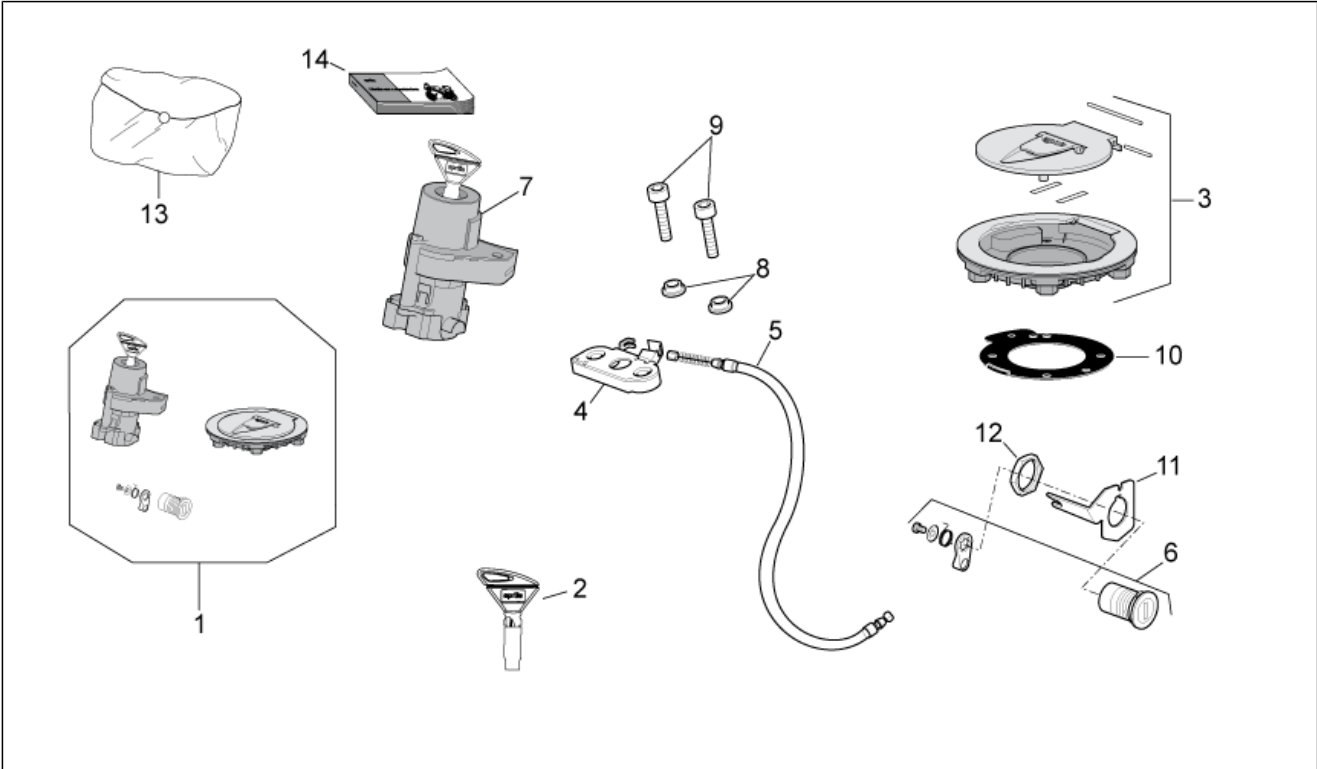
Pos.	Code	Description	Qty	Variants
1	639792	Battery 12V-12Ah	1	
2	858869	Earth cable	1	
3	858871	Relay battery wiring	1	
4	AP8124869	Injection relay	1	
5	896715	Relay rubber	1	
6	582690	Starter relay	1	
7	858212	Rubber fuse box	1	
8	CM225605	Fuse 5A	2	
9	CM225607	Fuse 7,5A	1	
10	CM225615	Fuse 15A	3	
11	CM225730	Fuse 30A	1	
12	AP8224462	Relay 12V/30A	5	
13	AP8220283	Rubber spacer *	5	
14	895466	Main wiring harness	1	

<b>Group</b>	FRAME
<b>Code</b>	28.35
<b>Description</b>	Electrical system III
<b>Service</b>	1



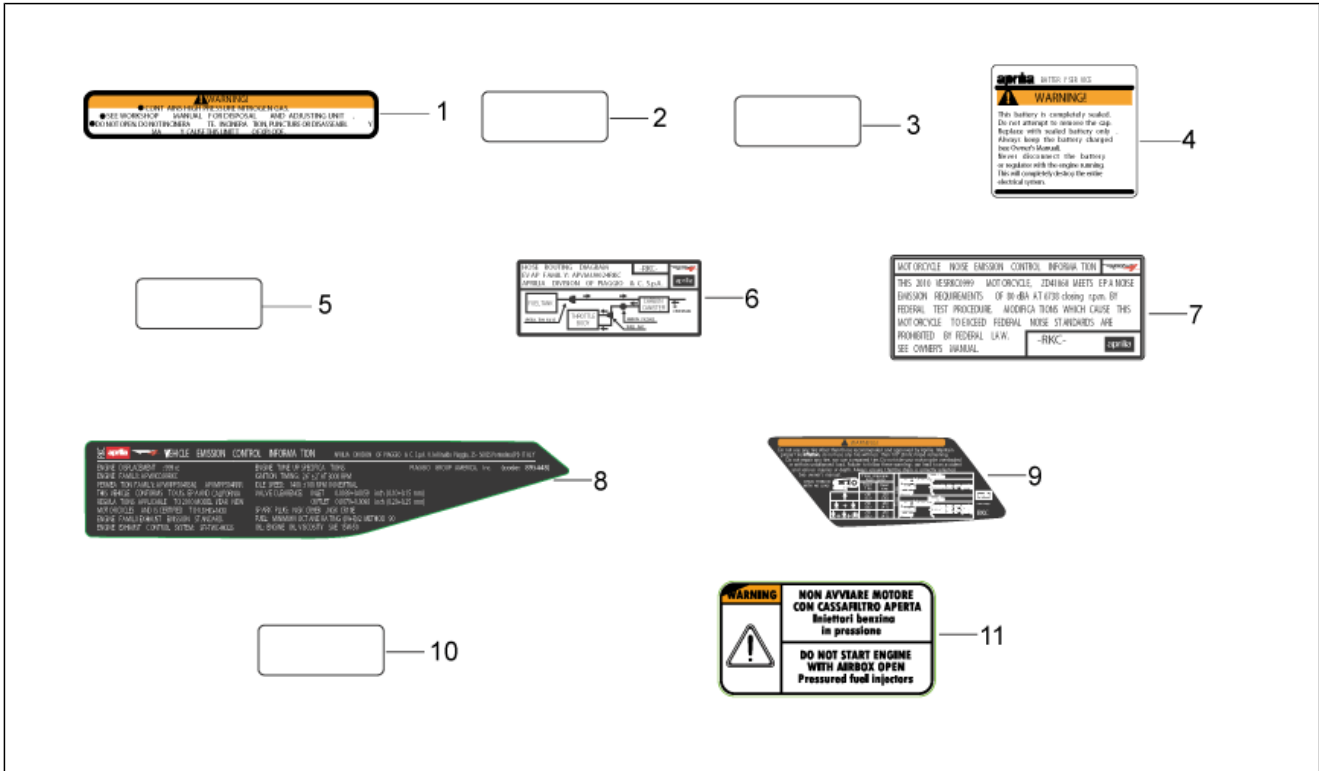
Pos.	Code	Description	Qty	Variants
1	CM083510	CDI unit assy	1	Country:europa[EU], Japan[J]
1	CM083513	CDI unit assy	1	Country:Canadian[CA], United States of America[USA]
2	AP8150509	Self-tap screw 5x14	3	
3	AP8150382	Washer 15x5,5X1,2	3	
4	AP8220150	Rubber spacer	3	
5	858882	Maintenance	1	
6	872664	Demand Sensor	1	
7	854811	Rubber spacer	1	
8	858883	Support bracket	1	
9	AP8221145	T bush *	2	
10	AP8144061	Silent-block	2	
11	AP8150509	Self-tap screw 5x14	4	
12	AP8152299	Self-locking nut M6	1	
13	893255	Spacer	1	
16	858723	Engine wiring	1	

<b>Group</b>	FRAME
<b>Code</b>	28.36
<b>Description</b>	Lock hardware kit
<b>Service</b>	1



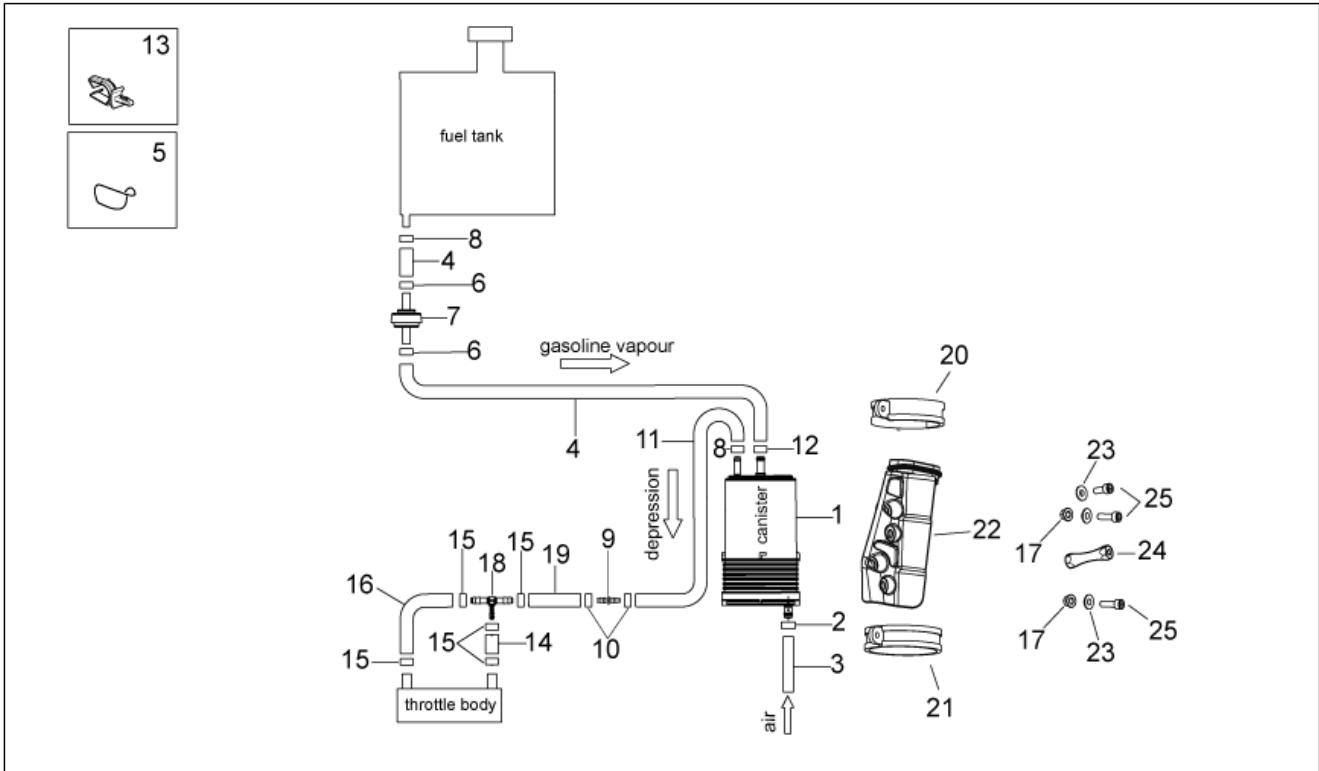
Pos.	Code	Description	Qty	Variants
1	B043920	Lock kit	1	
2	AP8140711	"Aprilia" key with transpo.	1	
3	B043929	Fuel filler cap and lock	1	
4	AP8102913	Pass.saddle connecting plate	1	
5	858955	Lock cable	1	
6	AP8104719	Saddle lock	1	
7	858580	Main switch - steering lock	1	
8	AP8221129	Bush	2	
9	AP8150285	Hex socket screw M6x35	2	
10	AP8104803	Fuel filler cap gasket	1	
11	AP8134948	Plate	1	
12	AP8102523	Lock nut M22x1,5	1	
13	894056	Toolkit	1	
14	894144	Op's handbook I-D-F-E-UK-NL -CA-USA-	1	
14	894146	Op's handbook I-D-F-E-UK-NL -J-UK-	1	
14	894147	Operator's handbook -i-d-f-e	1	
14	894148	Op's handbook I-D-F-E-UK-NL -UK-NL-GR-DK-SF-F-	1	

<b>Group</b>	FRAME
<b>Code</b>	28.55
<b>Description</b>	Plate set and decal
<b>Service</b>	1



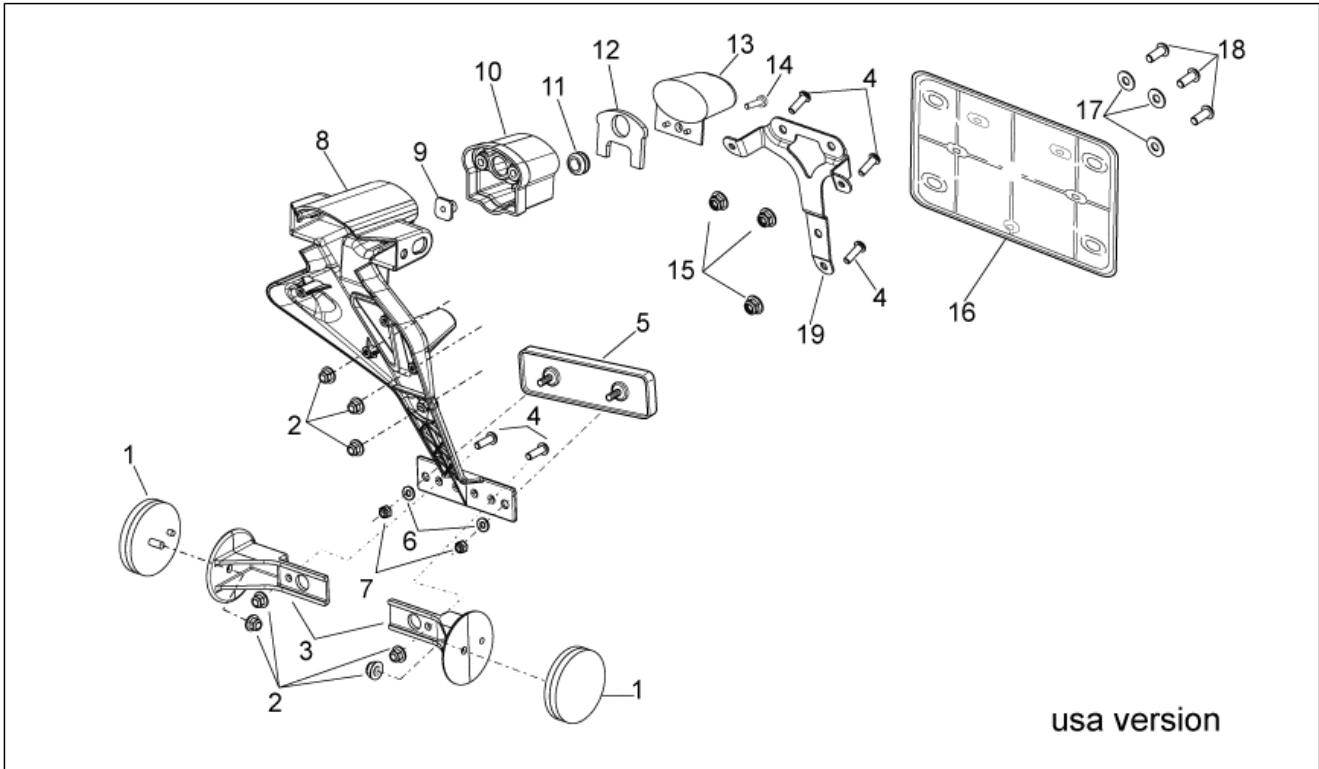
Pos.	Code	Description	Qty	Variants
1	AP8157100	Decal Shock Adsorber	1	Country:Canadian[CA], United States of America[USA]
2	AP8257609	Mirror decal	2	Country:Canadian[CA], United States of America[USA]
3	AP8257755	Liquid cooling sticker	1	Country:Canadian[CA], United States of America[USA]
4	AP8267395	Battery decal	1	Country:Canadian[CA], United States of America[USA]
5	AP8257794	Battery decal	1	Country:Canadian[CA], United States of America[USA]
6	895446	Carbon filter sticker	1	Country:Canadian[CA], United States of America[USA]
7	895447	Noise emission sticker	1	Country:Canadian[CA], United States of America[USA]
8	895448	Emission control sticker	1	Country:Canadian[CA], United States of America[USA]
9	895449	Tyre pressure decal	1	Country:Canadian[CA], United States of America[USA]
10	894714	Rear brake pump decal	1	
11	894019	Filter box decal	1	Country:Canadian[CA], United States of America[USA]

<b>Group</b>	FRAME
<b>Code</b>	28.56
<b>Description</b>	Fuel vapour recover system
<b>Service</b>	1



Pos.	Code	Description	Qty	Variants
1	AP8102678	Carbon filter	1	Country:Canadian[CA], United States of America[USA]
2	AP8102520	Hose clamp	1	Country:Canadian[CA], United States of America[USA]
3	890499	Fuel pipe 8x13	1	Country:Canadian[CA], United States of America[USA]
4	856063	pipe SAE 30 d.12,7x6,35	2	Country:Canadian[CA], United States of America[USA]
5	AP8221150	Cable-guide	1	Country:Canadian[CA], United States of America[USA]
6	AP8102239	Hose clamp 12,5x8	2	Country:Canadian[CA], United States of America[USA]
7	860138	Valve	1	Country:Canadian[CA], United States of America[USA]
8	AP8120446	Hose clip, green D11x6,6x1	2	Country:Canadian[CA], United States of America[USA]
9	AP8121267	Choke hold	1	Country:Canadian[CA], United States of America[USA]
10	AP8102998	Hose clamp d.9,5	2	Country:Canadian[CA], United States of America[USA]
11	856062	pipe SAE 30 d.11,11x4,8	1	Country:Canadian[CA], United States of America[USA]
12	AP8102764	White hose clip d.13x6	1	Country:Canadian[CA], United States of America[USA]
13	AP8221311	Fairlead d18	1	Country:Canadian[CA], United States of America[USA]
14	CM178413	pipe SAE 30 L.50	1	Country:Canadian[CA], United States of America[USA]
15	CM001901	Hose clamp	5	Country:Canadian[CA], United States of America[USA]
16	CM178411	pipe SAE 30 L.130	1	Country:Canadian[CA], United States of America[USA]
17	AP8152299	Self-locking nut M6	2	Country:Canadian[CA], United States of America[USA]
18	828325	Tee union	1	Country:Canadian[CA], United States of America[USA]
19	CM178412	pipe SAE L.90	1	Country:Canadian[CA], United States of America[USA]
20	AP8102688	Hose clamp d.76	1	Country:Canadian[CA], United States of America[USA]
21	AP8102719	Hose clamp d.80,5	1	Country:Canadian[CA], United States of America[USA]
22	894901	Carbon filter support	1	Country:Canadian[CA], United States of America[USA]
23	AP8121032	Bush	4	Country:Canadian[CA], United States of America[USA]
24	894933	Spacer	1	Country:Canadian[CA], United States of America[USA]
25	AP8150044	Hex socket screw M6x20	3	Country:Canadian[CA], United States of America[USA]

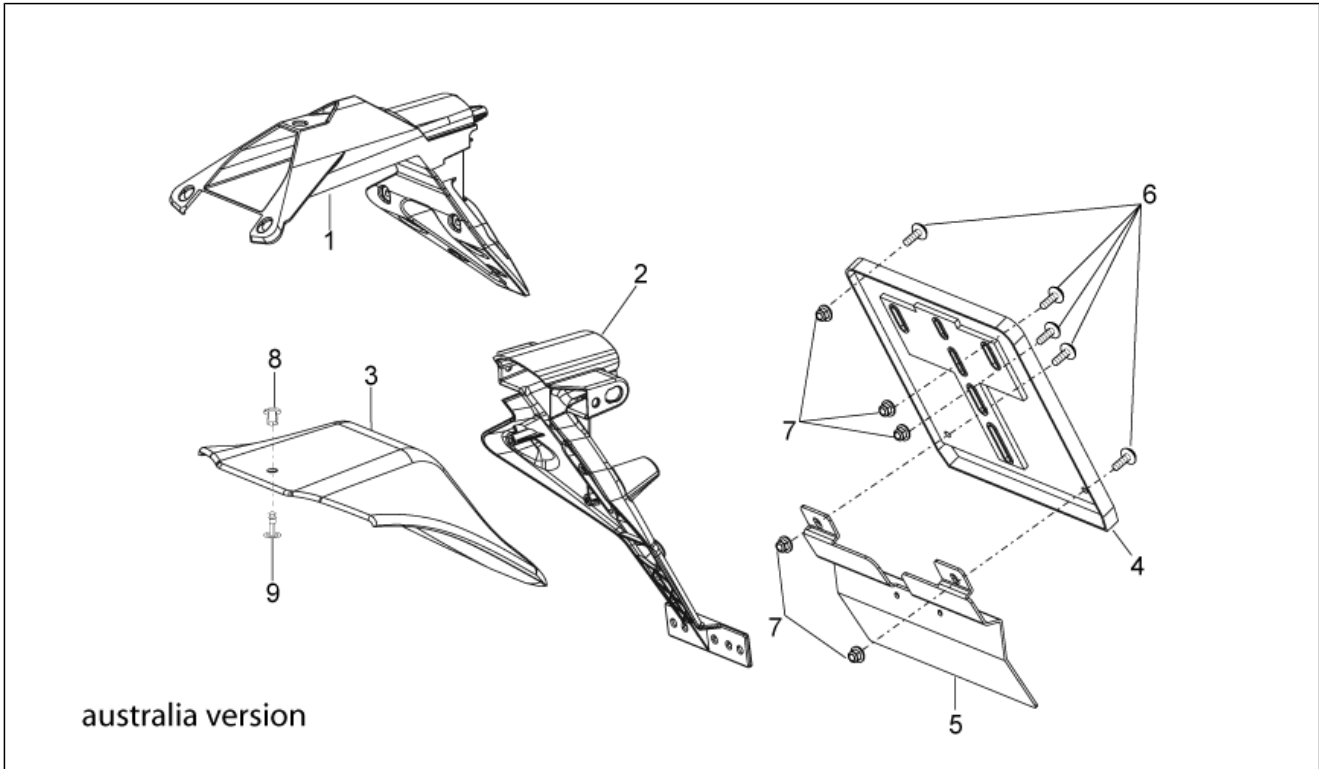
<b>Group</b>	FRAME
<b>Code</b>	28.57
<b>Description</b>	Rear body II
<b>Service</b>	1



Pos.	Code	Description	Qty	Variants
1	AP8224164	Rear reflector, red	2	Country:Canadian[CA], United States of America[USA]
2	AP8152306	Self-locking nut m5	7	Country:Canadian[CA], United States of America[USA]
3	AP8134783	Reflector support	2	Country:Canadian[CA], United States of America[USA]
4	AP8152267	Hex socket screw M5x12	5	Country:Canadian[CA], United States of America[USA]
5	AP8112916	Rear reflector	1	Country:Canadian[CA], United States of America[USA]
6	AP8150204	Nut M4	2	Country:Canadian[CA], United States of America[USA]
7	AP8150204	Nut M4	2	Country:Canadian[CA], United States of America[USA]
8	858842	Lower Number plate holder	1	Country:Canadian[CA], United States of America[USA]
9	894566	T bush	1	Country:Canadian[CA], United States of America[USA]
10	894900	Extension	1	Country:Canadian[CA], United States of America[USA]
11	AP8112600	Rubber spacer	1	Country:Canadian[CA], United States of America[USA]
12	AP8117258	Vibration-damping rubber	1	Country:Canadian[CA], United States of America[USA]
13	AP8127098	Number-plate light	1	Country:Canadian[CA], United States of America[USA]
14	AP8150522	Screw 4,2x16	1	Country:Canadian[CA], United States of America[USA]
15	AP8152299	Self-locking nut M6	3	Country:Canadian[CA], United States of America[USA]
16	AP8149034	Number plate support	1	Country:Canadian[CA], United States of America[USA]
17	AP8152181	Washer 6,4x15x1	3	Country:Canadian[CA], United States of America[USA]
18	AP8152108	Hex socket screw	3	Country:Canadian[CA], United States of America[USA]
19	894899	Maintenance	1	Country:Canadian[CA], United States of America[USA]

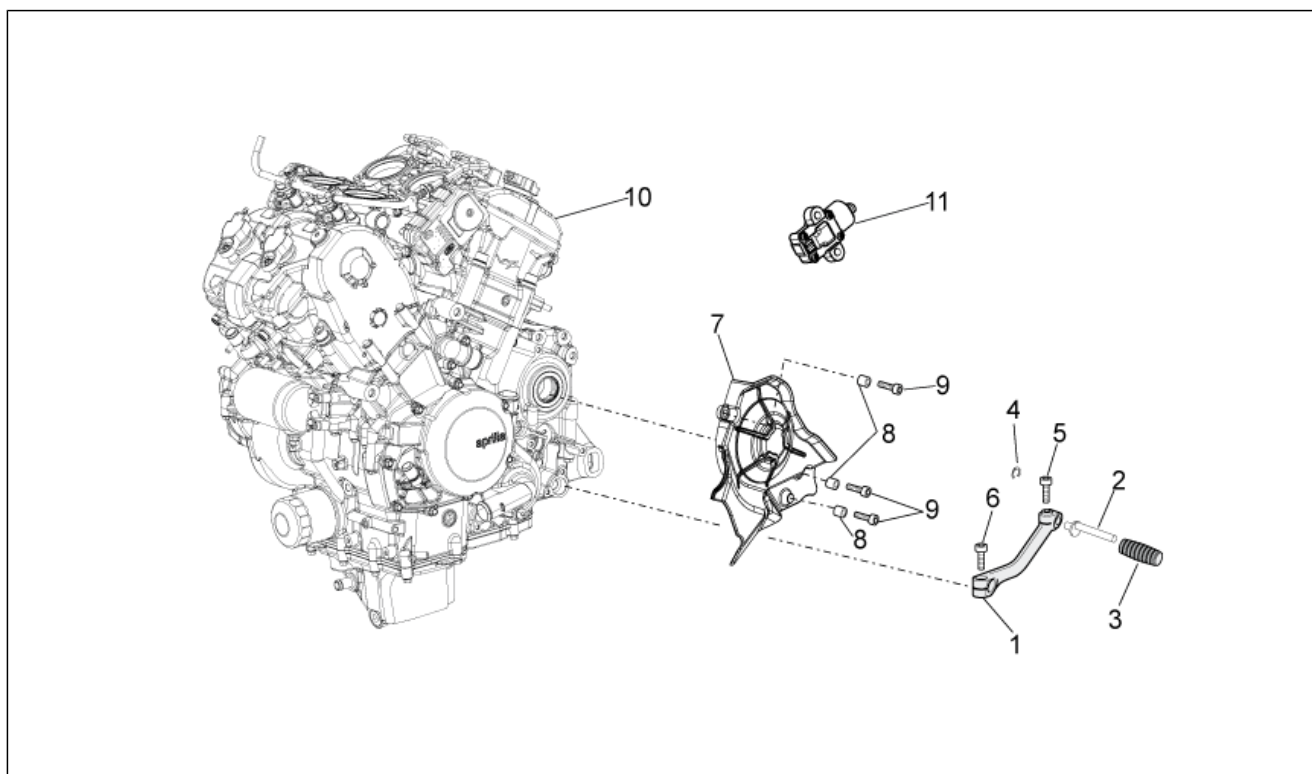


<b>Group</b>	FRAME
<b>Code</b>	28.58
<b>Description</b>	Rear body III
<b>Service</b>	1



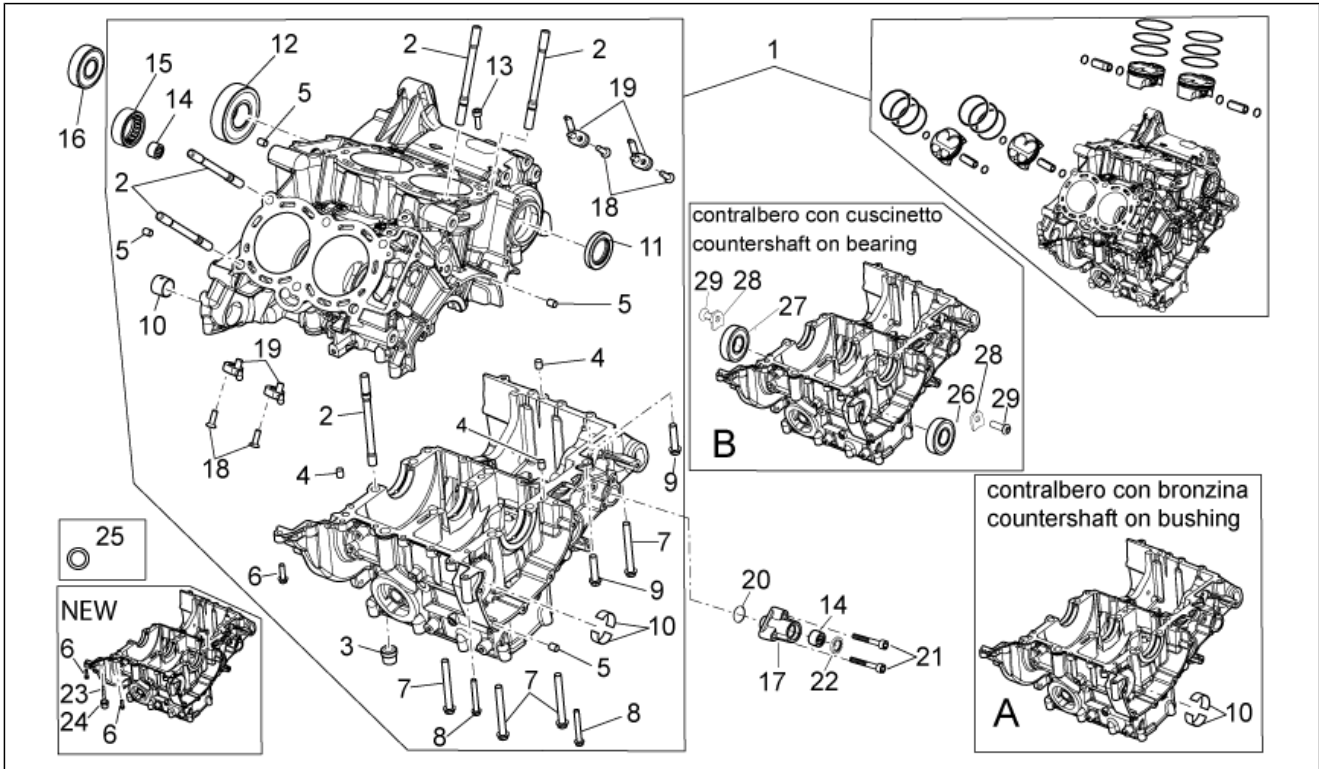
Pos.	Code	Description	Qty	Variants
1	858840	Upper Number plate holder	1	
2	858842	Lower Number plate holder	1	
3	895487	Upper Rear mudguard	1	Country:Australia[AU]
4	895914	Number plate holder	1	Country:Australia[AU]
5	895488	Lower Rear mudguard	1	Country:Australia[AU]
6	AP8152298	Screw w/ flange M5x16	5	Country:Australia[AU]
7	AP8152306	Self-locking nut m5	5	Country:Australia[AU]
8	AP8144616	Rivet, female	1	Country:Australia[AU]
9	AP8144563	Rivet, male	1	Country:Australia[AU]

<b>Group</b>	ENGINE
<b>Code</b>	29.37
<b>Description</b>	Engine
<b>Service</b>	1



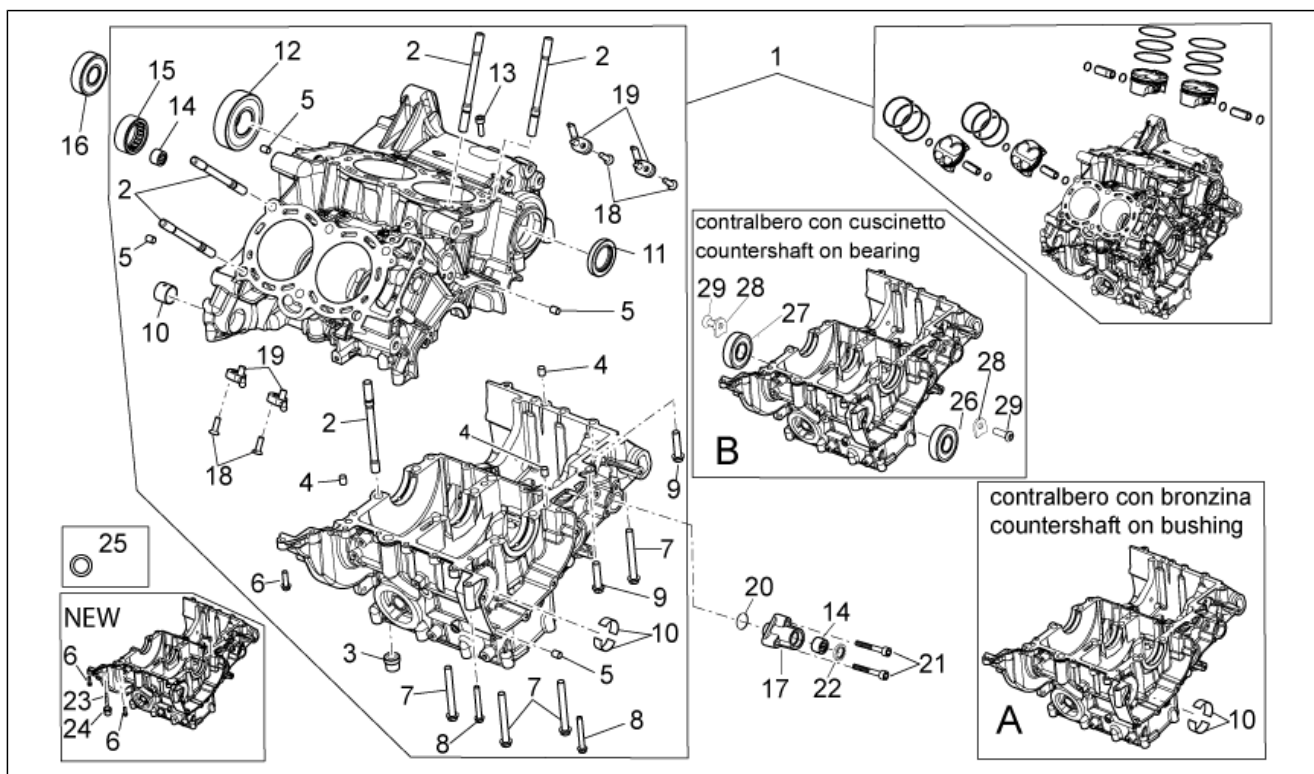
Pos.	Code	Description	Qty	Variants
1	858733	Gear lever	1	
2	AP8121221	Brake lever pin	1	
3	AP8120912	Lever rubber	1	
4	AP8150462	Circlip d9	1	
5	AP8224470	Hex socket screw M6x20	1	
6	AP8150537	Hex socket screw M6x12	1	
7	858924	Sprocket cover	1	
8	AP8120253	Spacer	3	
9	AP8152279	Screw w/ flange M6x20	3	
10	CM2259035	Engine cpl.	1	Country:Australia[AU], europe[EU], Japan[J]
10	CM2259055	Engine cpl.	1	Country:Canadian[CA], United States of America[USA]
11	899191	Microswitch	1	

<b>Group</b>	ENGINE
<b>Code</b>	29.38
<b>Description</b>	Crank-case I
<b>Service</b>	1



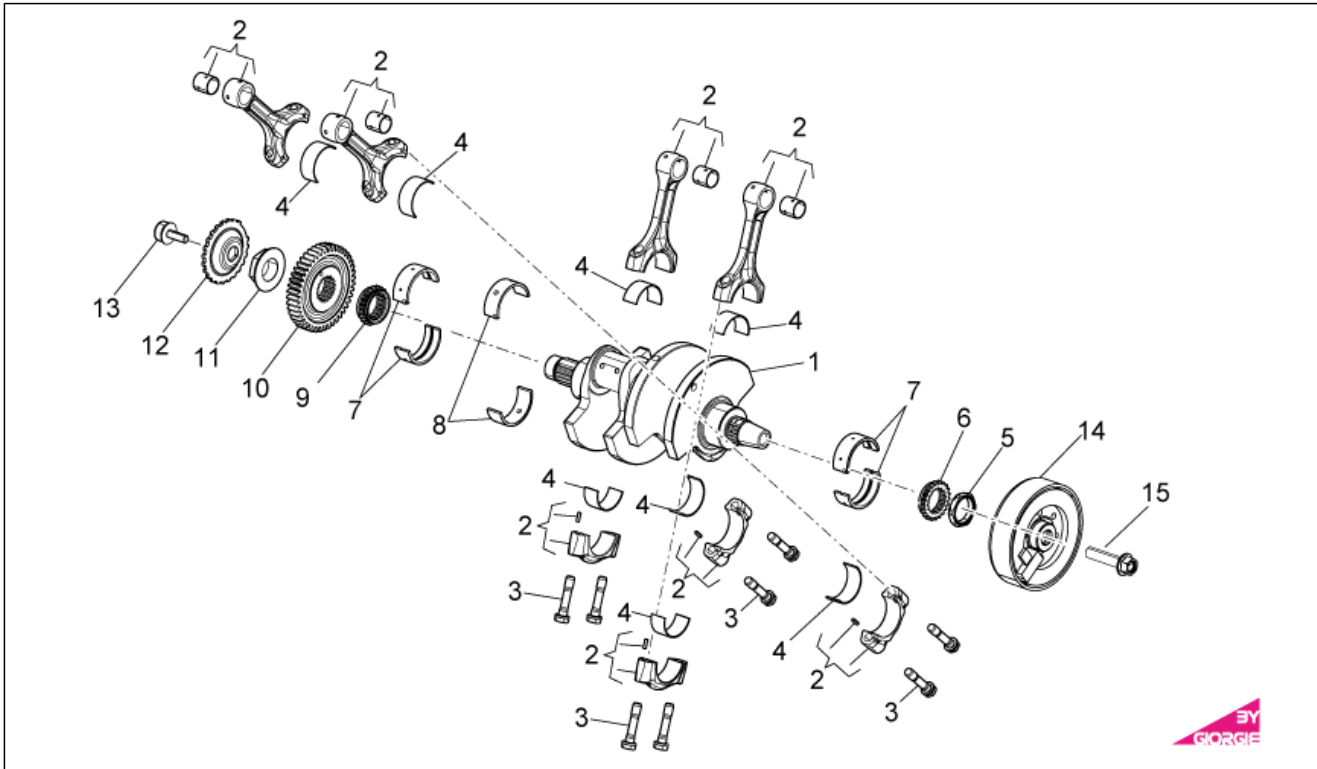
Pos.	Code	Description	Qty	Variants
1	B045973	Carter completo di pistoni	1	
2	857087	Stud bolt m10x126	18	
3	857088	Flanged nut M10x1	12	
4	857427	Pin M8x12	3	
5	411209	Pin	4	
6	AP8152280	Screw w/ flange M6x25	6	
7	AP8152294	Screw w/ flange	4	
8	AP8152284	Screw w/ flange	2	
9	AP8152289	Screw w/ flange	4	
10	8574540001	Bushing,red	4	
10	8574540002	Bushing,blue	4	
10	8574540003	Bushing,yellow	4	
11	857128	Gasket ring 30x47x7	1	
12	857134	Ball bearing 30X72X19	1	
13	AP8150044	Hex socket screw M6x20	1	
14	857312	Cage à rouleaux 12X18X12	2	
15	857249	Cage à rouleaux HK1512	1	
16	857273	Ball bearing	1	
17	857090	Maintenance	1	
18	857140	screw	4	
19	857139	Piston oil jet	4	
20	857109	Gasket ring 17,12X2,62	1	
21	AP8150285	Hex socket screw M6x35	2	
22	857127	Gasket ring 12x22	1	
23	857495	Stud bolt	1	
24	857496	Special nut	1	
25	857144	O-ring	1	
26	897435	Bearing	1	

<b>Group</b>	ENGINE
<b>Code</b>	29.38
<b>Description</b>	Crank-case I
<b>Service</b>	1



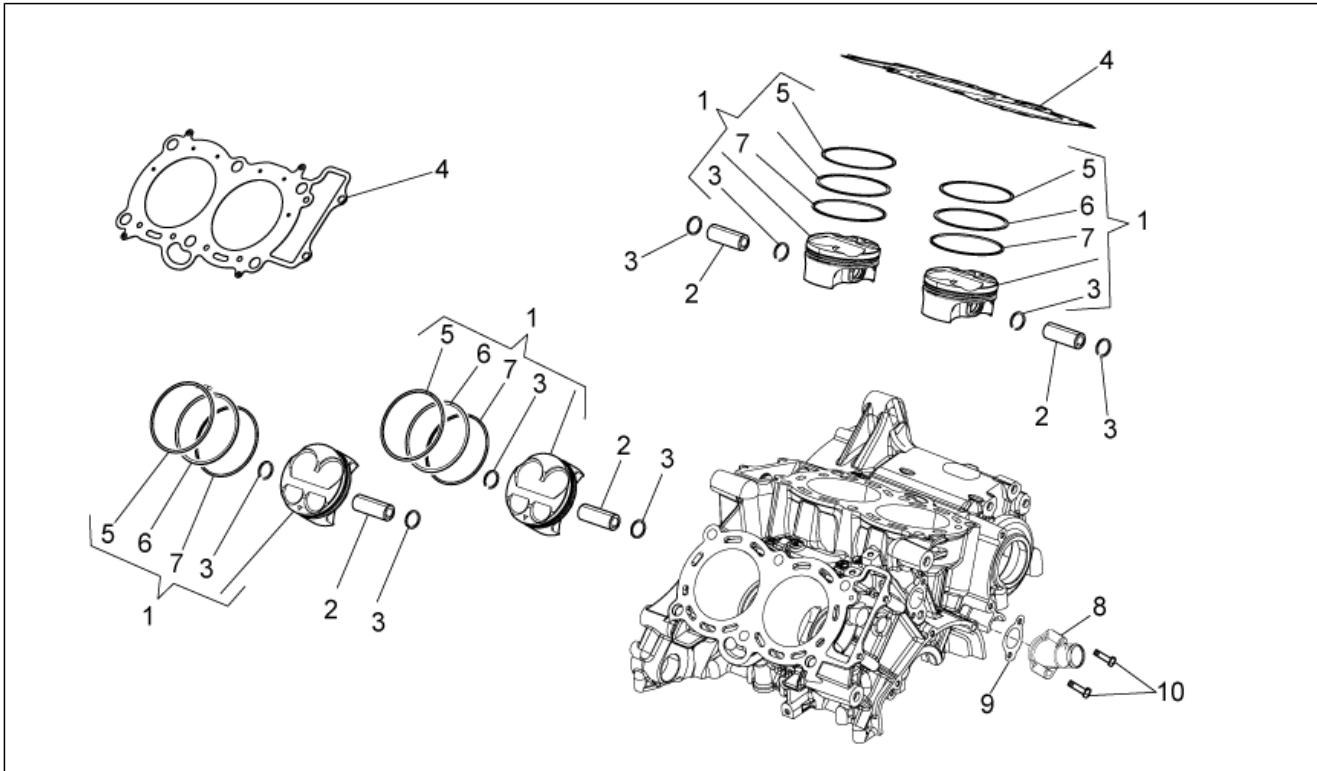
Pos.	Code	Description	Qty	Variants
27	897436	Bearing	1	
28	AP9150145	Check bearing plate	2	
29	AP8152166	screw M6x16	2	

<b>Group</b>	ENGINE
<b>Code</b>	29.39
<b>Description</b>	Drive shaft
<b>Service</b>	1



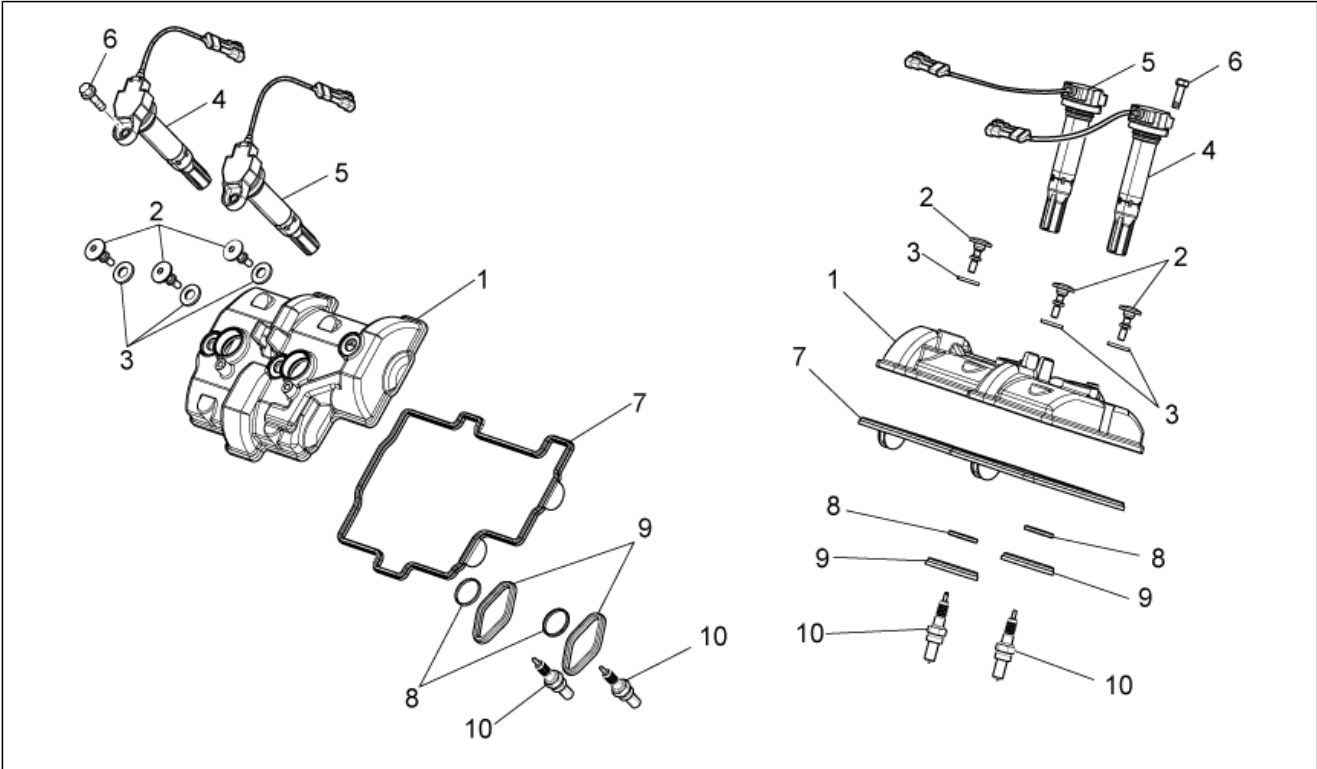
Pos.	Code	Description	Qty	Variants
1	8572555	Drive shaft	1	
2	8571145004	Connecting rod DD gr.353-356	4	
3	857115	Connecting rod screw	8	
4	8571170001	Bushing half-shell, red	2	
4	8571170002	Bushing half-shell, blue	2	
4	8571170003	Bushing half-shell, yellow	2	
5	857122	Ring nut	1	
6	857120	Timing gear	1	
7	8571320001	Bushing half-shell, red	4	
7	8571320002	Bushing half-shell, blue	4	
7	8571320003	Bushing half-shell, yellow	4	
8	8571300001	Bushing half-shell, red	2	
8	8571300002	Bushing half-shell, blue	2	
8	8571300003	Bushing half-shell, yellow	2	
9	857119	Timing gear	1	
10	857199	Primary drive gear	1	
11	857121	Ring nut	1	
12	857118	Wheel speed sensor, left front	1	
13	857077	Special screw M8x24	1	
14	857201	Cdi magneto assy	1	
15	857206	Screw w/ flange M12X1,25X50	1	

<b>Group</b>	ENGINE
<b>Code</b>	29.40
<b>Description</b>	Cylinder - Piston
<b>Service</b>	1



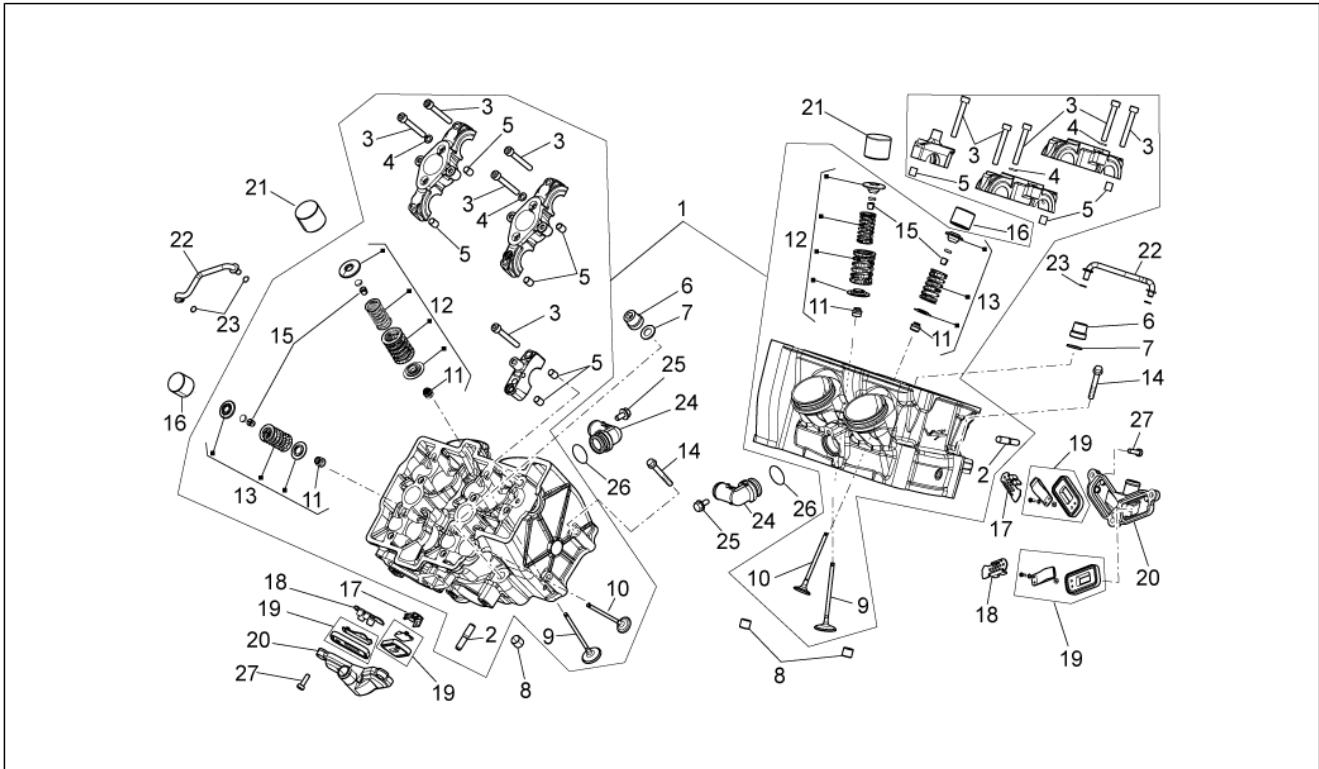
Pos.	Code	Description	Qty	Variants
1	857102	Complete piston (no brand) 78 mm	4	<b>Technical Specifications:</b> crankcase vers.A[C]
1	CM227501	Piston assy "A"	4	<b>Technical Specifications:</b> crankcase ver.B[E]
1	CM227501	Piston assy "A"	4	<b>Technical Specifications:</b> crankcase ver.B[E]
2	857107	Piston pin 17x10x45	4	
3	857108	Stop ring D 17	4	
4	857445	Cylinder head gasket	2	
5	857104	Piston ring R mark	4	
6	857105	Piston ring	4	
7	857106	Piston ring	4	
8	857126	Joint	1	
9	857125	Gasket	1	
10	872117	Screw w/ flange	2	

<b>Group</b>	ENGINE
<b>Code</b>	29.41
<b>Description</b>	Valves cover
<b>Service</b>	1



Pos.	Code	Description	Qty	Variants
1	857481	Valves cover	2	
2	857071	Special screw	6	
3	898410	Damper drift	6	
4	857084	HT coil short cable	2	
5	857501	HT coil long cable	2	
6	AP8152277	Screw w/ flange M6x12	4	
7	857075	Valve cover gasket	2	
8	857043	Gasket	2	
9	857074	Gasket	2	
10	828209	Spark plug NGK CR9EB	4	

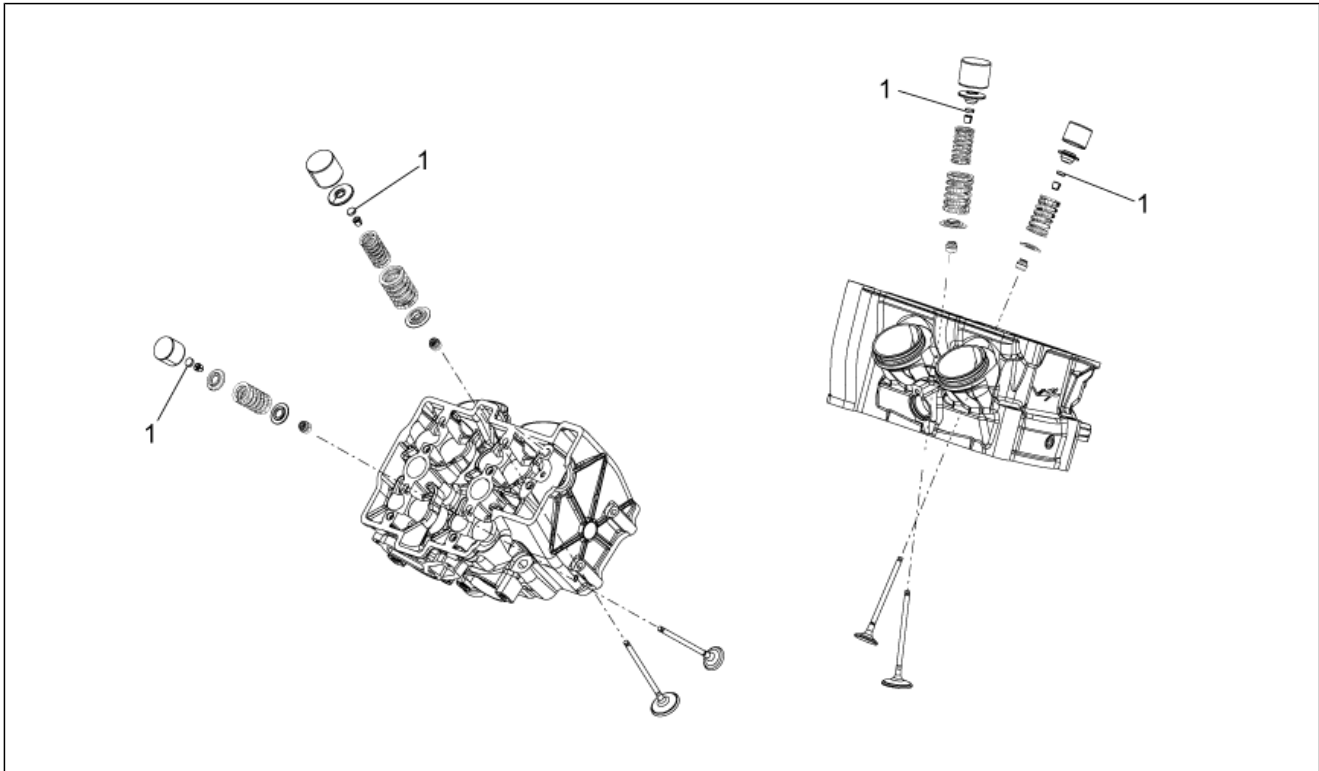
<b>Group</b>	ENGINE
<b>Code</b>	29.42
<b>Description</b>	Cylinder head - valves
<b>Service</b>	1



Pos.	Code	Description	Qty	Variants
1	898402	Cylinder head assy.	2	
2	857035	Stud bolt m10x171	8	
3	857085	Hex socket screw M6x45	20	
4	857042	Copper washer	8	
5	411209	Pin	12	
6	897434	Flanged nut M10x1	12	
7	857208	Washer 19 x 10,5 x 1,6	12	
8	825597	Pin 11,8X10	4	
9	8570224	Intake valve 32 mm AISA	8	
10	857023	Exhaust valve 26mm	8	
11	436438	Valve gasket ring	16	
12	2R000041	Intake valve spring kit	1	
13	2R000042	Exhaust valve spring kit	1	
14	478895	Screw w/ flange	4	
15	857024	Valve half-cone	32	
16	857067	Valve lifter bucket	8	
17	857046	Spark arrester	2	
18	857047	Spark arrester	2	
19	857045	Reed valve	4	
20	857044	Cover reed valve	2	
21	857066	Valve lifter bucket	8	
22	857017	Oil sprayer pipe	2	
23	224035	O-ring	4	
24	857016	Angular union	2	
25	857082	Screw w/ flange M 6x12	2	
26	857083	O-ring	2	
27	857048	screw M5x16	6	

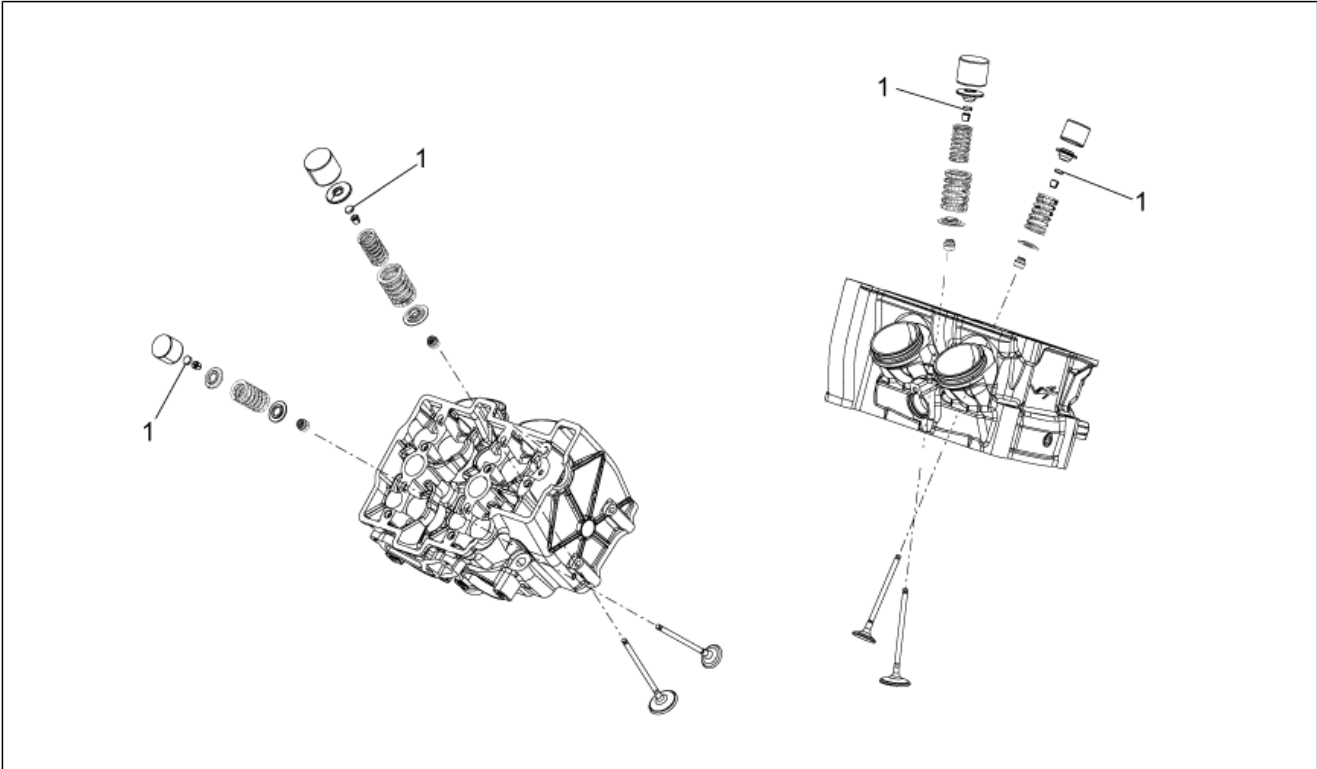


<b>Group</b>	ENGINE
<b>Code</b>	29.43
<b>Description</b>	Valves pads
<b>Service</b>	1



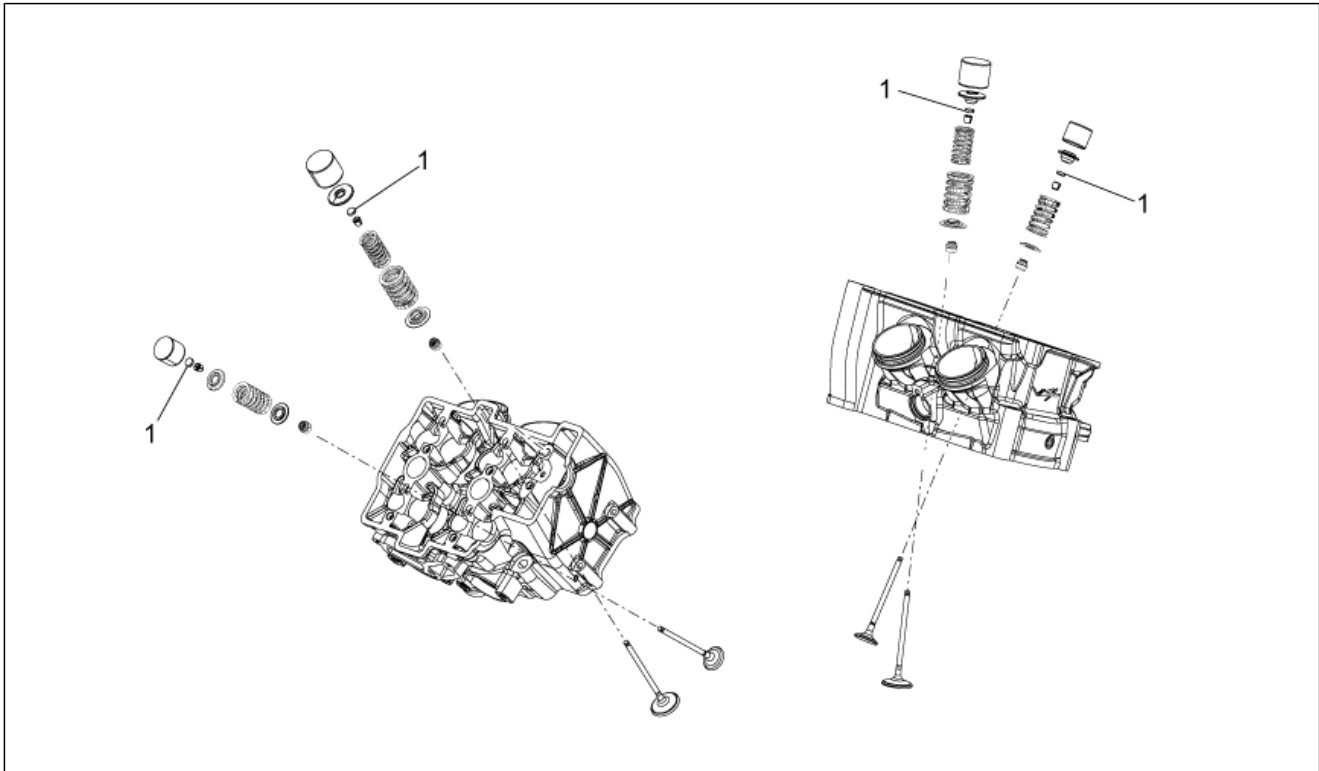
Pos.	Code	Description	Qty	Variants
1	CM223401	Pad 1,75	1	
1	CM223402	Pad 1,80	1	
1	CM223403	Pad 1,85	1	
1	CM223404	Pad 1,90	1	
1	CM223405	Pad 1,95	1	
1	CM223406	Pad 2	1	
1	CM223407	Pad 2,05	1	
1	CM223408	Pad 2,1	1	
1	CM223409	Pad 2,15	1	
1	CM223410	Pad 2,2	1	
1	CM223411	Pad 2,25	1	
1	CM223412	Pad 2,3	1	
1	CM223413	Pad 2,35	1	
1	CM223414	Pad 2,4	1	
1	CM223415	Pad 2,45	1	
1	CM223416	Pad 2,50	1	
1	CM223417	Pad 2,55	1	
1	CM223418	Pad 2,6	1	
1	CM223419	Pad 2,65	1	
1	CM223420	Pad 2,7	1	
1	CM223421	Pad 2,75	1	
1	CM223422	Pad 2,8	1	
1	CM223423	Pad 2,85	1	
1	CM223424	Pad 2,9	1	
1	CM223425	Pad 2,95	1	
1	CM223426	Pad 3	1	
1	CM223427	Pad 3,05	1	
1	CM223428	Pad 3,10	1	

<b>Group</b>	ENGINE
<b>Code</b>	29.43
<b>Description</b>	Valves pads
<b>Service</b>	1



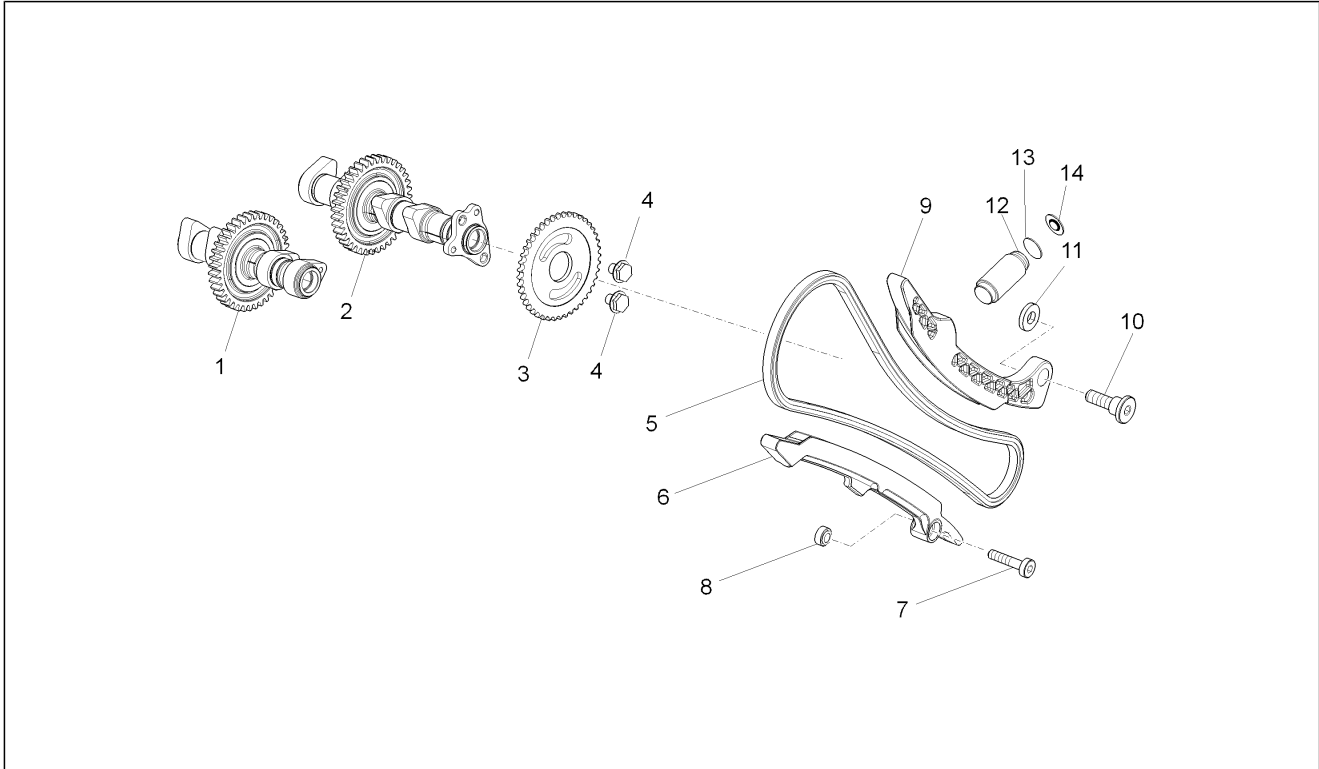
Pos.	Code	Description	Qty	Variants
1	CM223429	Pad 3,15	1	
1	CM228002	Pad 1,77	1	
1	CM228004	Pad 1,82	1	
1	CM228006	Pad 1,87	1	
1	CM228008	Pad 1,92	1	
1	CM228010	Pad 1,97	1	
1	CM228012	Pad 2,02	1	
1	CM228014	Pad 2,07	1	
1	CM228016	Pad 2,12	1	
1	CM228018	Pad 2,17	1	
1	CM228020	Pad 2,22	1	
1	CM228022	Pad 2,27	1	
1	CM228024	Pad 2,32	1	
1	CM228026	Pad 2,37	1	
1	CM228028	Pad 2,42	1	
1	CM228030	Pad 2,47	1	
1	CM228032	Pad 2,52	1	
1	CM228034	Pad 2,57	1	
1	CM228036	Pad 2,62	1	
1	CM228038	Pad 2,67	1	
1	CM228040	Pad 2,72	1	
1	CM228042	Pad 2,77	1	
1	CM228044	Pad 2,82	1	
1	CM228046	Pad 2,87	1	
1	CM228048	Pad 2,92	1	
1	CM228050	Pad 2,97	1	
1	CM228052	Pad 3,02	1	
1	CM228054	Pad 3,07	1	

<b>Group</b>	ENGINE
<b>Code</b>	29.43
<b>Description</b>	Valves pads
<b>Service</b>	1



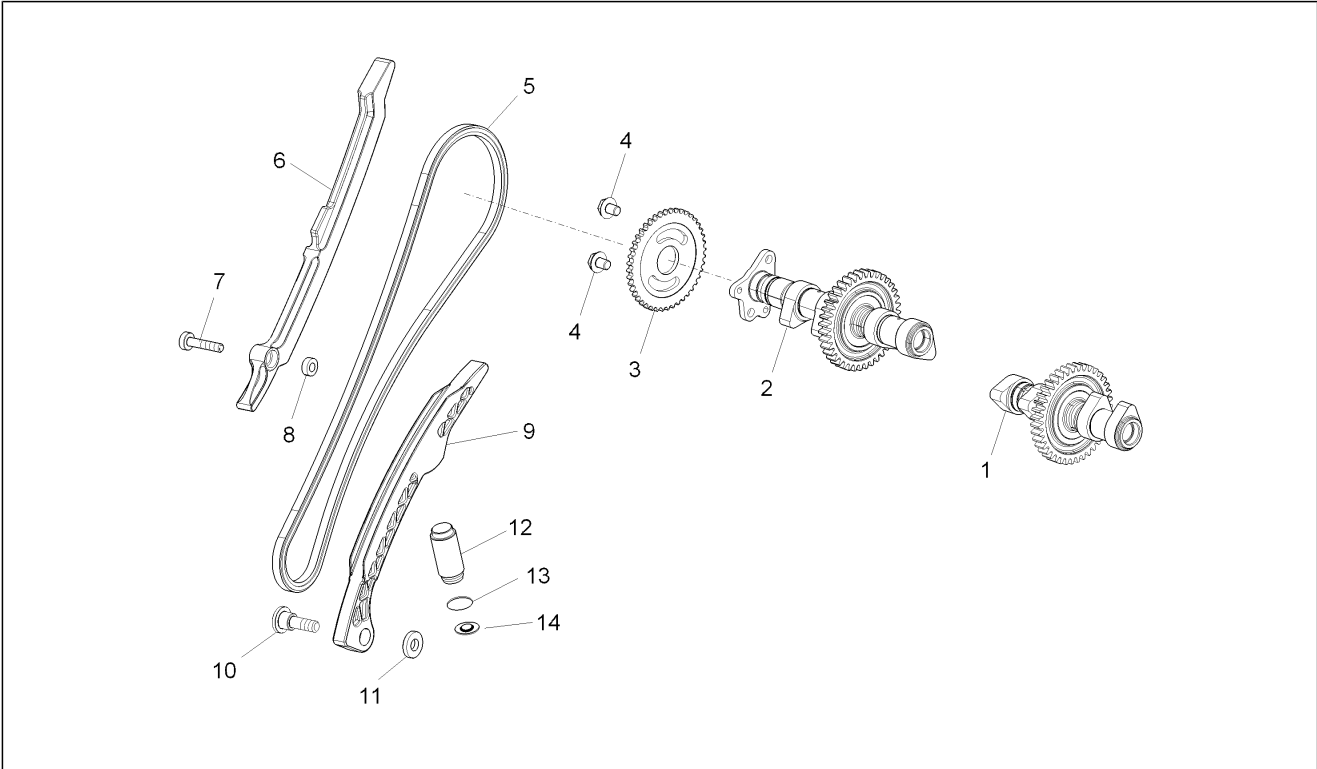
Pos.	Code	Description	Qty	Variants
1	CM228056	Pad 3,12	1	

<b>Group</b>	ENGINE
<b>Code</b>	29.44
<b>Description</b>	Front cylinder timing system
<b>Service</b>	1



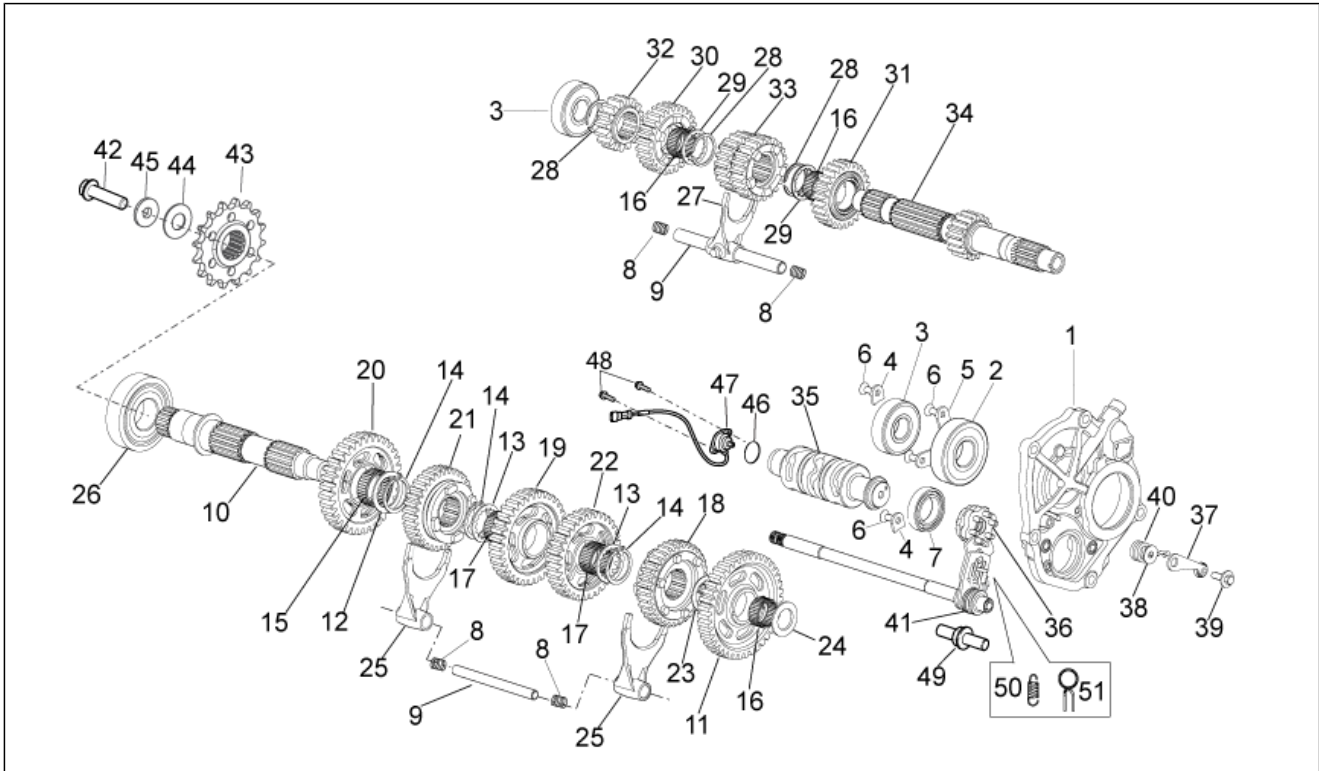
Pos.	Code	Description	Qty	Variants
1	8574705	Exhaust camshaft	1	
2	857004	Intake camshaft	1	
3	857009	Timing system gear Z=44	1	
4	857008	Screw w/ flange M 8x10,3	2	
5	857097	Camshaft chain	1	
6	857100	Chain guide plate	1	
7	857476	Special screw M6x18	1	
8	857477	Bushing	1	
9	857099	Chain tensioner sliding block	1	
10	857094	Special screw M8	1	
11	857096	Washer 18,5x8,5x3,3	1	
12	857098	Chain stretching drive	1	
13	857176	O-ring	1	
14	8045476	Washer 15x6x2	1	

<b>Group</b>	ENGINE
<b>Code</b>	29.45
<b>Description</b>	Rear cylinder timing system
<b>Service</b>	1



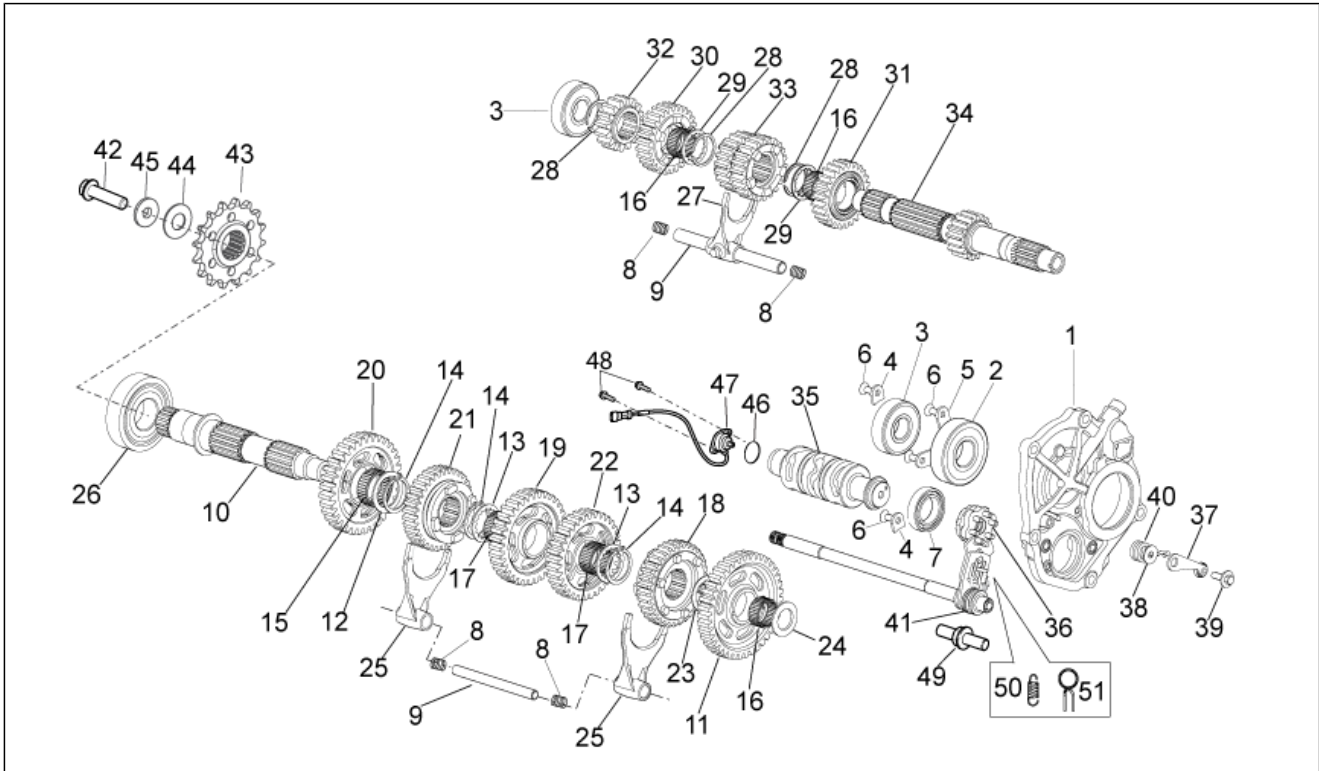
Pos.	Code	Description	Qty	Variants
1	8574715	Exhaust camshaft	1	
2	857004	Intake camshaft	1	
3	857009	Timing system gear Z=44	1	
4	857008	Screw w/ flange M 8x10,3	2	
5	857097	Camshaft chain	1	
6	857100	Chain guide plate	1	
7	857476	Special screw M6x18	1	
8	857477	Bushing	1	
9	857099	Chain tensioner sliding block	1	
10	857094	Special screw M8	1	
11	857096	Washer 18,5x8,5x3,3	1	
12	857098	Chain stretching drive	1	
13	857176	O-ring	1	
14	8045476	Washer 15x6x2	1	

<b>Group</b>	ENGINE
<b>Code</b>	29.46
<b>Description</b>	Gear box
<b>Service</b>	1



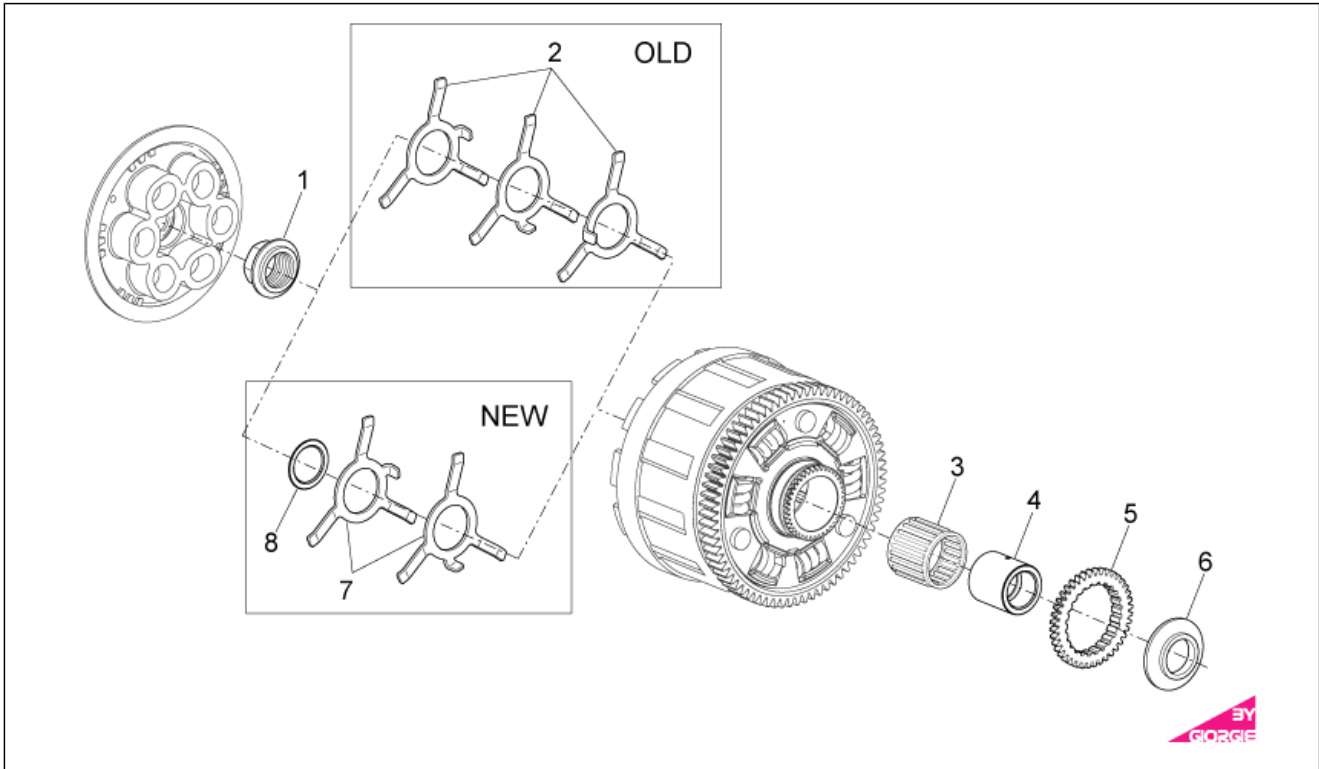
Pos.	Code	Description	Qty	Variants
1	857268	Maintenance cambio	1	
2	898634	Ball bearing 25x62x17	1	
3	898635	Ball bearing 20x52x15	2	
4	AP9150145	Check bearing plate	1	
5	857271	Check bearing plate	2	
6	AP8152166	screw M6x16	3	
7	857250	Ball bearing 25x42x9	1	
8	857175	Spring	4	
9	857284	Fork shaft	2	
10	857236	Driven shaft	1	
11	857237	1st wheel gear Z=39	1	
12	857308	Washer 30x40x1,5	1	
13	857247	Clearance washer	2	
14	857248	Circlip D30	3	
15	857309	Roller cage 30x35x13	1	
16	857233	Roller cage 24x28x13	3	
17	857244	Roller cage 26x30x15,6	2	
18	857241	5th wheel gear Z=34	1	
19	857239	3rd wheel gear Z=34	1	
20	857238	2nd wheel gear Z=33	1	
21	857242	6th wheel gear Z=33	1	
22	857240	4th wheel gear Z=32	1	
23	857246	Washer 24x35x1,5	1	
24	857245	Washer 20,1x33,5x2,5	1	
25	857328	Fork	2	
26	857134	Ball bearing 30X72X19	1	
27	857185	Fork	1	
28	857232	Washer for shafts	3	

<b>Group</b>	ENGINE
<b>Code</b>	29.46
<b>Description</b>	Gear box
<b>Service</b>	1



Pos.	Code	Description	Qty	Variants
29	857234	Clearance washer	2	
30	857231	6th pinion gear Z=27	1	
31	857230	5th pinion gear Z=26	1	
32	857459	2nd pinion gear Z=16	1	
33	857229	3rd-4th pinion gear Z=20/Z=22	1	
34	857458	Primary gear shaft	1	
35	857251	Shift cam	1	
36	857123	Index washer	1	
37	857274	Index assy. lever	1	
38	AP9150051	Washer D6,3x18x1	1	
39	AP9150006	Screw w/ flange M6x15	1	
40	857278	Spring	1	
41	857253	Gear shaft+spring cpl.	1	
42	AP8152318	Screw w/ flange M10x35	3	
43	890827	Pinion Z=16	1	
44	854909	Belleville spring	1	
45	854951	T bush	2	
46	857279	O-ring	1	
47	857265	Gear position sensor	1	
48	AP8152280	Screw w/ flange M6x25	2	
49	AP9150043	Threaded pin M8x1,25	1	
50	857260	Fasten spring	1	
51	857261	Spring	1	

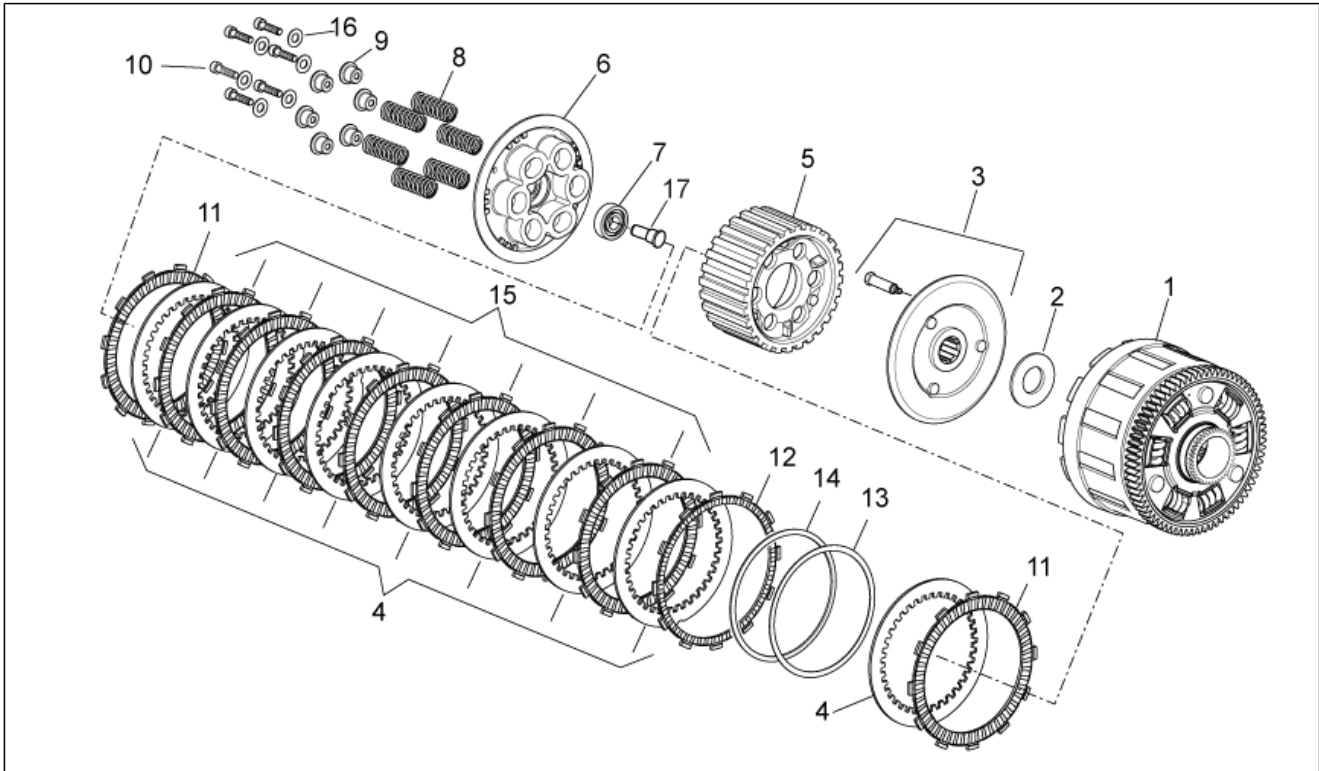
<b>Group</b>	ENGINE
<b>Code</b>	29.47
<b>Description</b>	Clutch I
<b>Service</b>	1



Pos.	Code	Description	Qty	Variants
1	893767	Nut	1	
2	893768	Belleville spring sp.0,8	3	
3	893769	Roller cage 35x40x35,8	1	
4	893770	Spacer	1	
5	894821	Oil pump gear Z=39	1	
6	893772	Washer 58x25x8	1	
7	B044474	Belleville spring sp.0,9	2	
8	B043945	Washer 20,5x30x0.8	1	

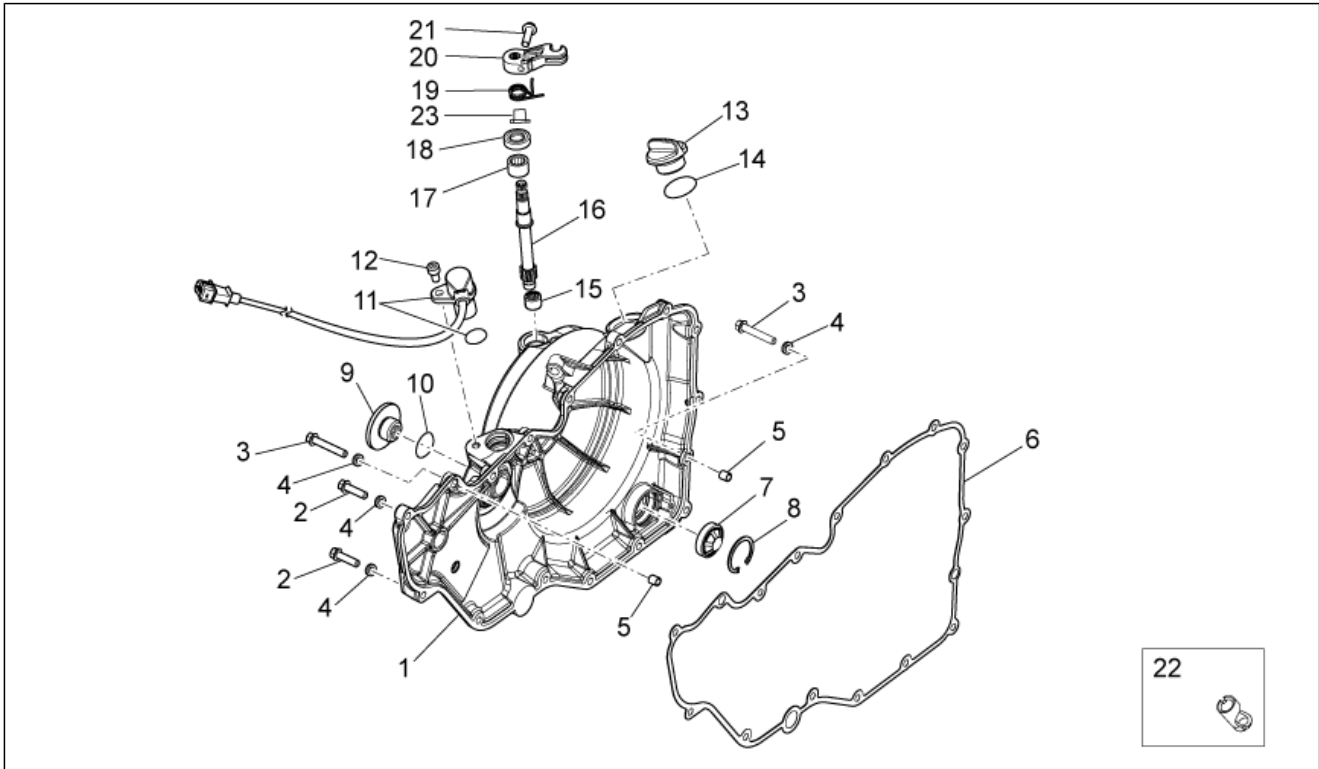


<b>Group</b>	ENGINE
<b>Code</b>	29.48
<b>Description</b>	Clutch II
<b>Service</b>	1



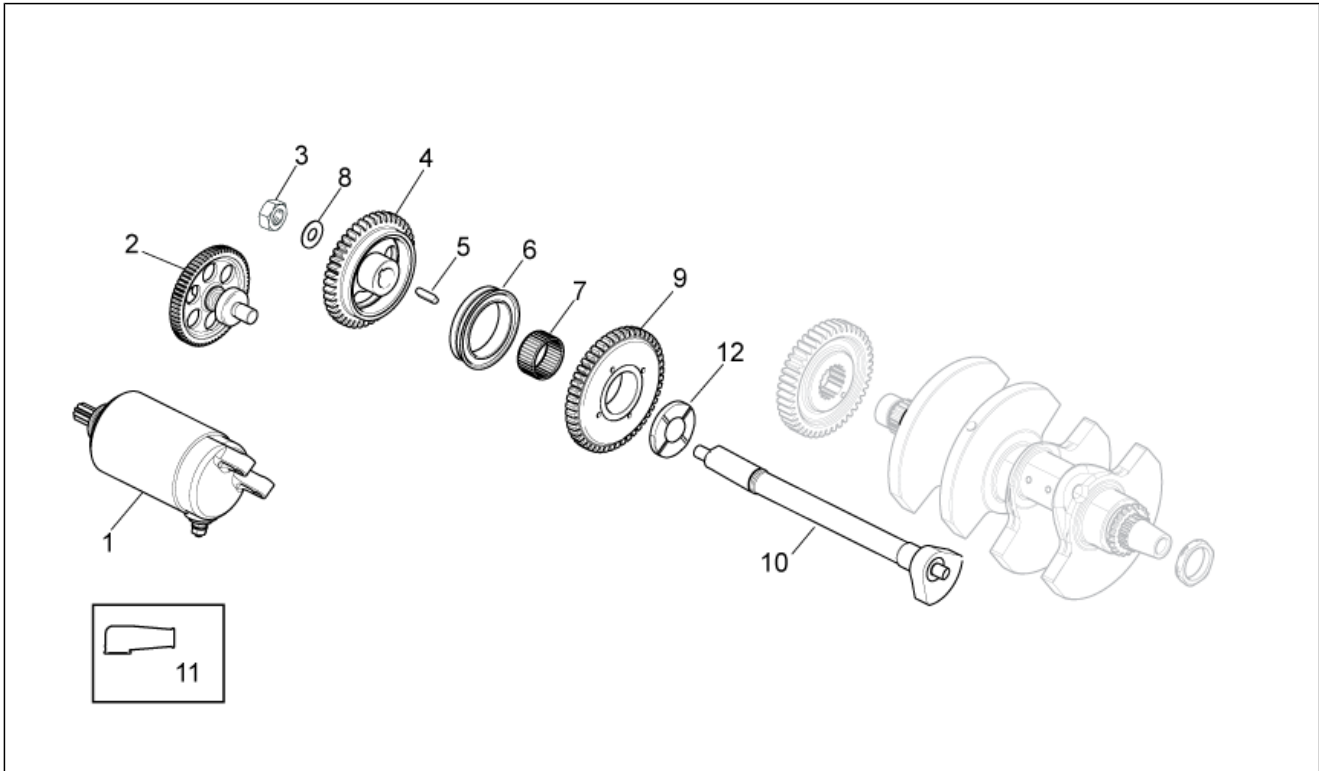
Pos.	Code	Description	Qty	Variants
1	893773	Clutch housing, complete	1	
2	893774	Washer 25,5x47x2,5	1	
3	894794	Support assy.	1	
4	893783	Driven clutch disc	9	
5	893784	Aluminium clutch drum	1	
6	893940	Clutch pressure plate	1	
7	893941	Bearing	1	
8	893777	Clutch spring	6	
9	893778	Spring seat	6	
10	893779	Hex socket screw M6	6	
11	893780	Driving clutch disc	2	
12	893942	Clutch disc	1	
13	893943	Spring	1	
14	893944	Seat judder spring	1	
15	893782	Driving clutch disc	7	
16	AP8150014	Washer 6,4x12,5*	6	
17	857317	Pawl clutch	1	

<b>Group</b>	ENGINE
<b>Code</b>	29.49
<b>Description</b>	Clutch cover
<b>Service</b>	1



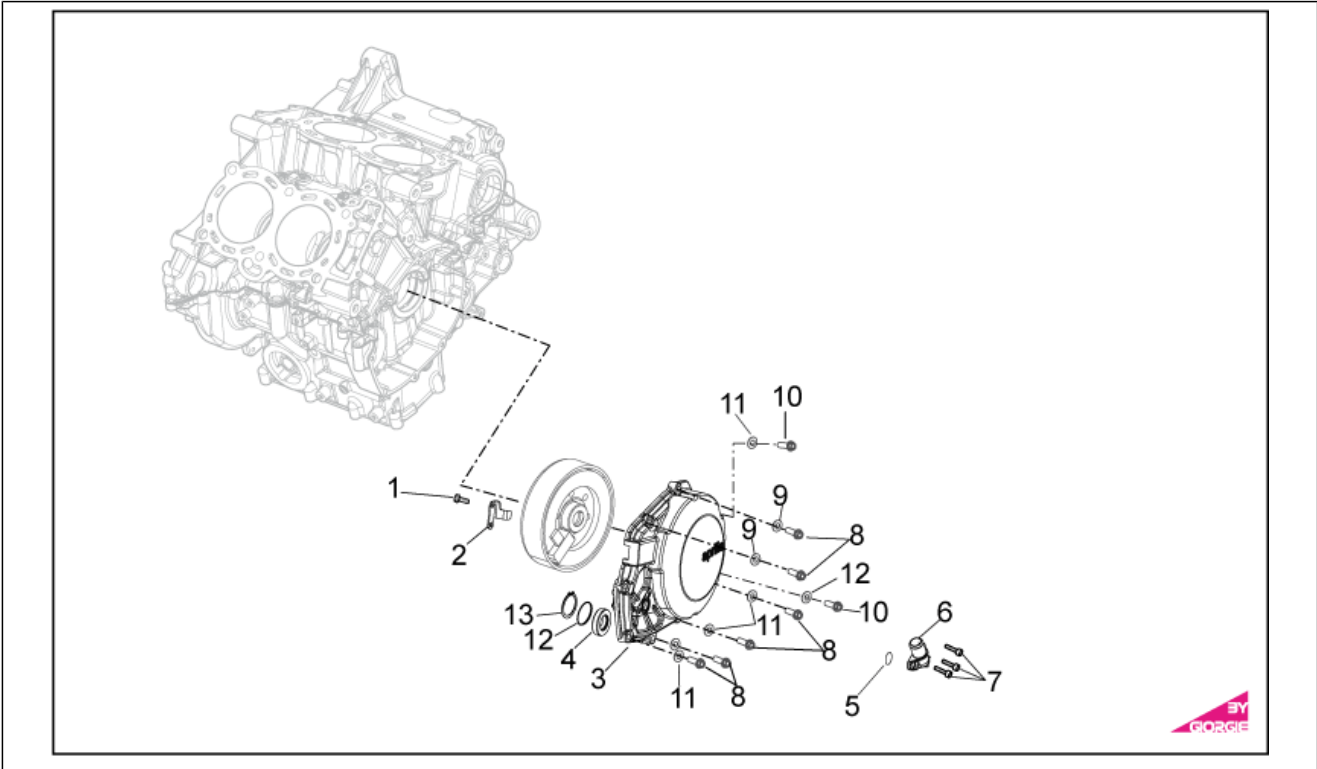
Pos.	Code	Description	Qty	Variants
1	8574885	Clutch cover	1	
2	857429	Screw w/ flange	16	
3	857436	Screw w/ flange	2	
4	AP8150429	Spring washer 6,4x11x0,5*	18	
5	411209	Pin	2	
6	857451	Gasket	1	
7	485693	Oil level indicator	1	
8	873804	Snap ring	1	
9	857070	Inspection cover	1	
10	857078	O-ring	1	
11	6389915	Phase/revolution sensor	1	Technical Specifications:High[A]
11	897577	Phase/revolution sensor	1	Technical Specifications:Lowered[B]
12	122675	Hex socket screw	1	
13	974229	Oil load plug	1	
14	AP8144424	O-ring 4075	1	
15	857318	Cage à rouleaux	1	
16	857498	Shaft pin d.12	1	
17	857312	Cage à rouleaux 12X18X12	1	
18	847075	Oil seal 12x20	1	
18	857127	Gasket ring 12x22	1	
19	857461	Clutch lever return spring	1	
20	857314	Clutch control lever	1	
21	AP8152279	Screw w/ flange M6x20	1	
22	B043542	Clutch control pin bushing	1	
23	857460	T bush	1	

<b>Group</b>	ENGINE
<b>Code</b>	29.50
<b>Description</b>	Ignition unit
<b>Service</b>	1



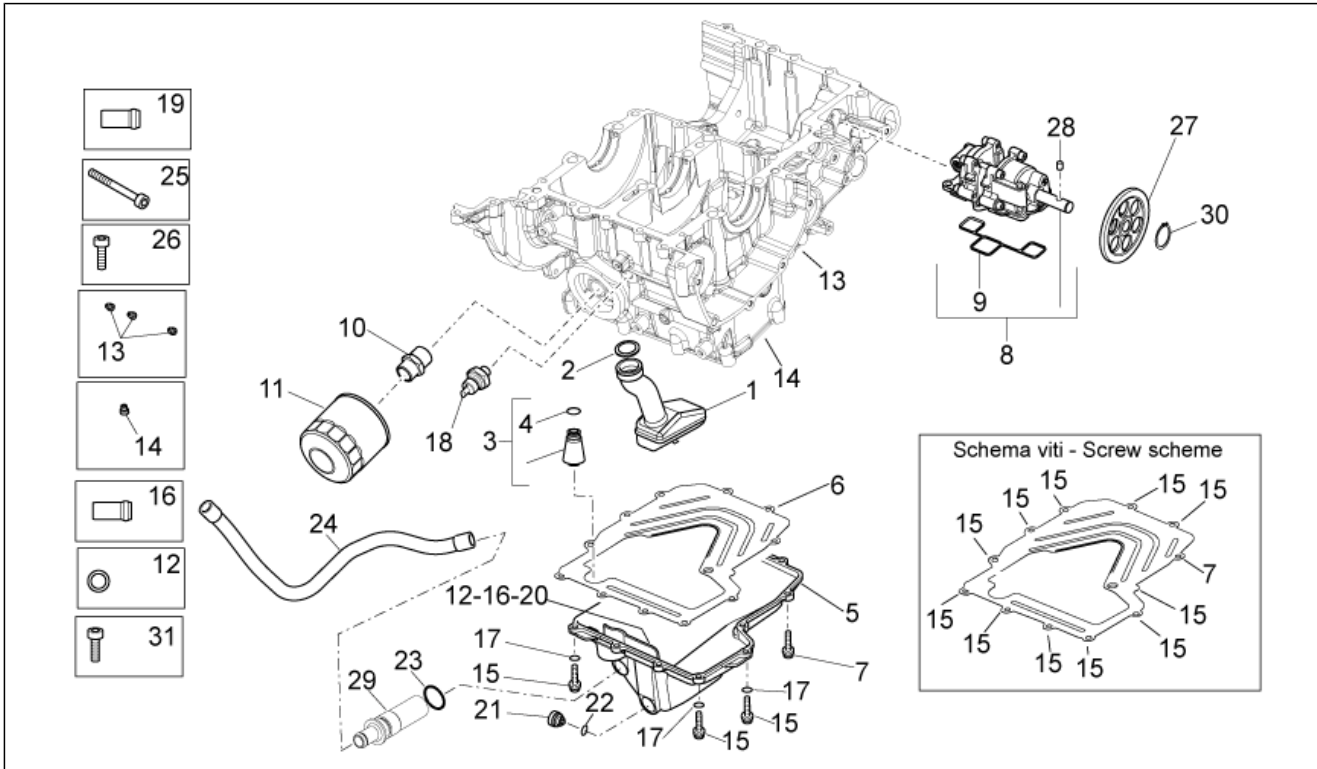
Pos.	Code	Description	Qty	Variants
1	857287	Starter motor black "Denso"	1	
2	857289	Electric starter gear Z=12/64	1	
3	857300	Nut M10x1	1	
4	857301	Balance shaft Gear Z=44	1	
5	857298	Tab	1	
6	825431	Complete freewheel	1	
7	857290	Roller cage 30X35X17	1	
8	235779	Washer	1	
8	857299	Belleville spring	1	
9	857288	""Denso"" freewheel gear" z=49	1	
10	857467	Balance shaft	1	
10	897446	Balance shaft	1	
11	895316	Cap	1	
12	857297	Fifth wheel	1	
12	897450	Fifth wheel	1	

<b>Group</b>	ENGINE
<b>Code</b>	29.51
<b>Description</b>	Cover
<b>Service</b>	1



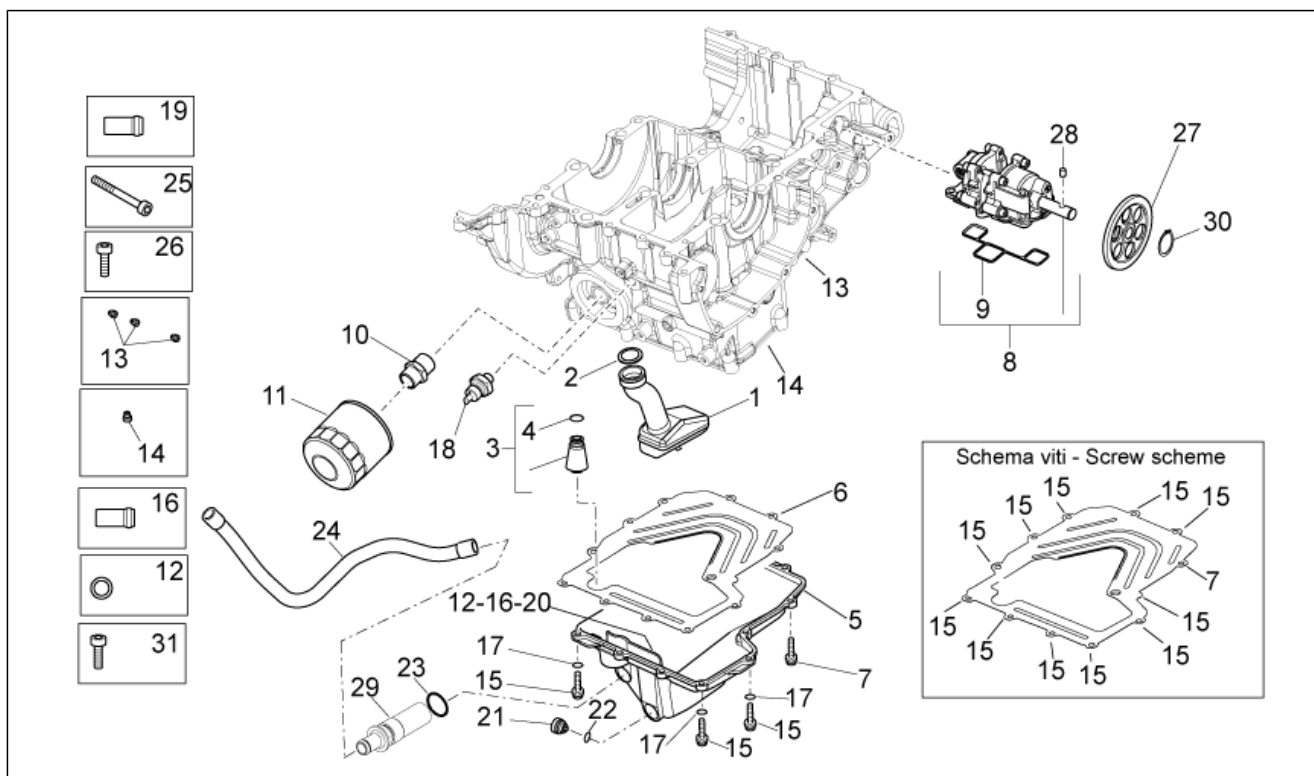
Pos.	Code	Description	Qty	Variants
1	AP8152272	Screw w/ flange M5x12	1	
2	857204	Bracket	1	
3	857148	Cover	1	
4	857463	Gasket ring 14x30x7	1	
4	898268	Gasket ring 18x30x7	1	
5	857176	O-ring	1	
6	857462	Blow-by outlet blow-by	1	
7	857048	screw M5x16	3	
8	871094	Screw w/ flange	6	
9	857435	Washer	2	
10	872117	Screw w/ flange	2	
11	AP8150429	Spring washer 6,4x11x0,5*	6	
12	857480	Clearance washer	1	
12	898269	Clearance washer	1	
13	006630	Snap ring	1	

<b>Group</b>	ENGINE
<b>Code</b>	29.52
<b>Description</b>	Lubrication
<b>Service</b>	1



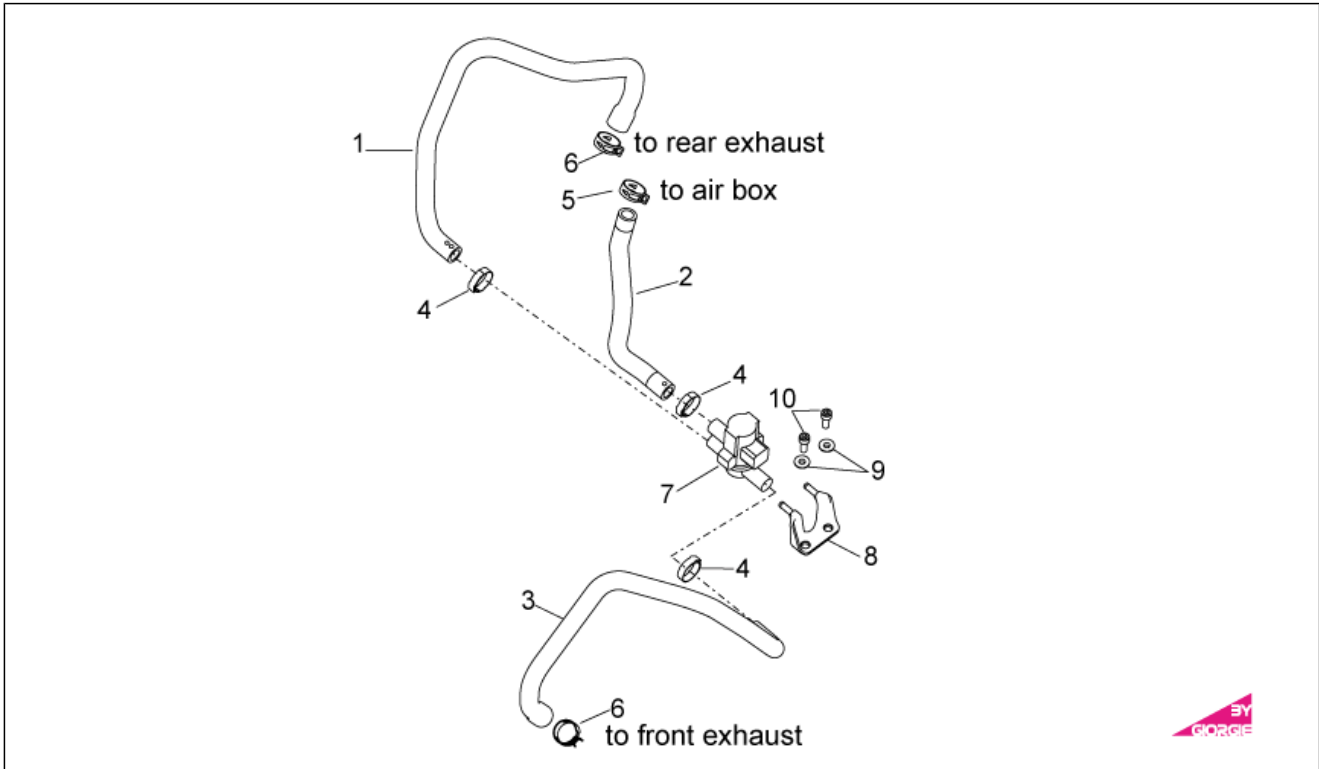
Pos.	Code	Description	Qty	Variants
1	857166	Oil strainer	1	
2	857167	O-ring	1	
3	857169	Oil valve cpl.	1	
4	857176	O-ring	1	
5	857310	Motor oil cup	1	
6	857497	Gasket new type	1	
7	840893	Hex socket screw M6x25	1	
8	857152	Oil pump assy.	1	
9	857189	O-ring	1	
10	857168	Oil filter union	1	
11	857187	Oil filter	1	
12	AP8144012	O-ring 121	1	
13	857143	Jet	3	
14	CM101711	Main jet 60	1	
15	289731	Screw w/ flange M6x30	7	
16	857439	Oil hose union	1	
17	AP8150429	Spring washer 6,4x11x0,5*	11	
18	641541	Oil pressure sensor	1	
19	846019	Connection	1	
20	AP8150044	Hex socket screw M6x20	1	
21	857184	Cover	1	
22	857147	Gasket OR	1	
23	AP8144012	O-ring 121	1	
24	858808	pipe blow-by	1	
25	277330	Hex socket screw	1	
26	709099	Hex socket screw M6x16	5	
27	857489	Oil pump gear Z=36	1	
28	857192	Roller 5X19,8	1	

<b>Group</b>	ENGINE
<b>Code</b>	29.52
<b>Description</b>	Lubrication
<b>Service</b>	1



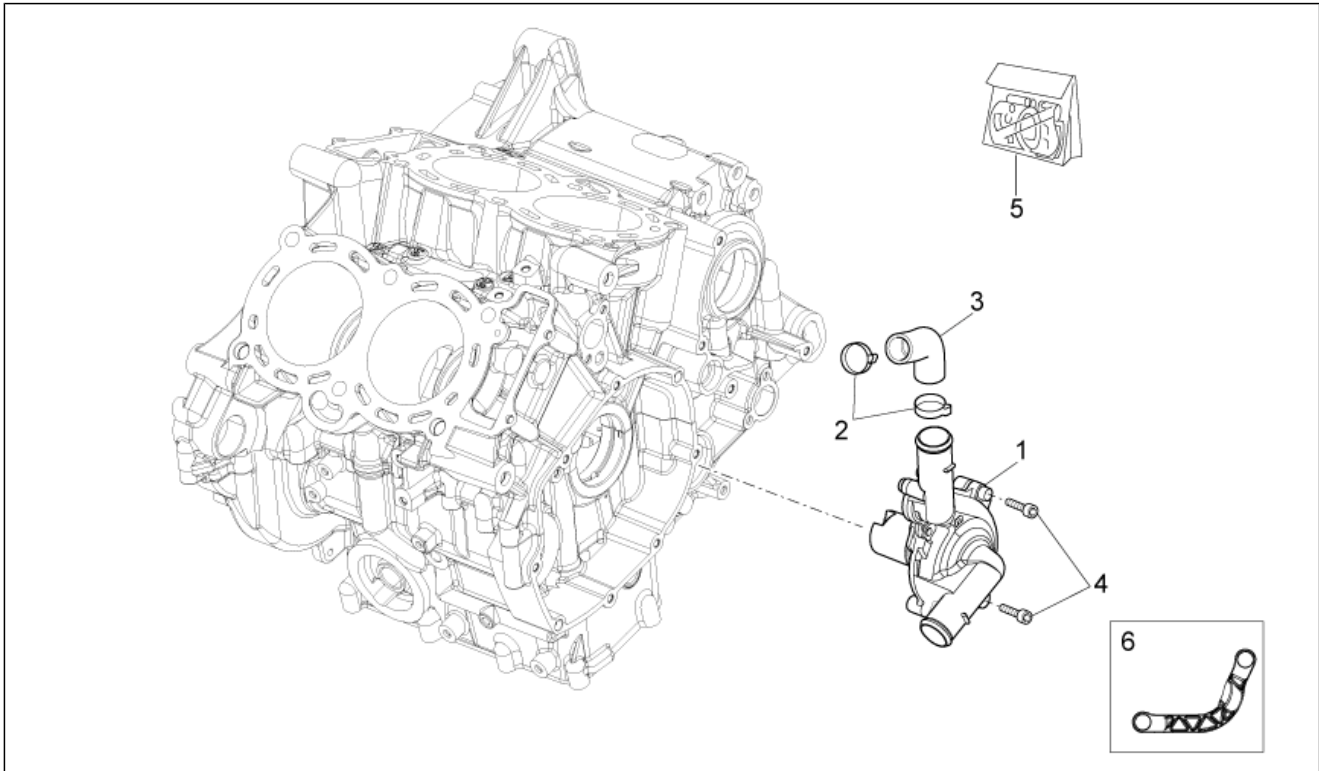
Pos.	Code	Description	Qty	Variants
29	857439	Oil hose union	1	
30	006412	Circlip	1	

<b>Group</b>	ENGINE
<b>Code</b>	29.53
<b>Description</b>	Secondary air
<b>Service</b>	1



Pos.	Code	Description	Qty	Variants
1	856631	pipe	1	
2	856632	pipe	1	
3	856630	pipe	1	
4	CM001905	Hose clamp	3	
5	CM002916	Hose clamp	1	
6	CM225401	Hose clamp	2	
7	857181	SAS valve	1	
8	858727	Bracket	1	
9	AP8121032	Bush	2	
10	AP8150137	Hex socket screw	2	

<b>Group</b>	ENGINE
<b>Code</b>	29.54
<b>Description</b>	Water pump
<b>Service</b>	1



Pos.	Code	Description	Qty	Variants
1	857209	Water pump assy	1	
2	898374	Hose clamp	2	
3	857222	Delivery water pipe	1	
4	877288	Hex socket screw M6x25	2	
5	893968	Water pump kit	1	
6	B043231	Water pump cap	1	