



PIAGGIO & C.s.p.a.

**aprilia**

## **SPARE PARTS CATALOGUE**

### **RS4 125 4T 2014**

Chassis prefix: ZD4TW000

Engine prefix:

## Index

Finished products.....	4
Alphanumeric index.....	5
Frame.....	10
Table 01.010 - Frame.....	10
Table 01.020 - Foot rests.....	11
Table 01.030 - Central stand.....	12
Table 01.050 - Swing arm.....	13
Body.....	14
Table 02.030 - Front mudguard-Pillar.....	14
Table 02.040 - Front fairing.....	15
Table 02.070 - Duct.....	17
Table 02.080 - Side fairing.....	18
Table 02.090 - Tank cover.....	19
Table 02.100 - Central body.....	20
Table 02.120 - Saddle.....	21
Table 02.140 - Rear body.....	22
Table 02.150 - Rear mudguard.....	24
Table 02.170 - Locks.....	25
Table 02.180 - Plate set / Various.....	26
Table 02.190 - Decal.....	27
Engine.....	29
Table 03.010 - Engine-Completing part-Lever.....	29
Table 03.030 - Crankcases I.....	30
Table 03.050 - Air box.....	31
Table 03.060 - Throttle body.....	32
Table 03.090 - Head cover.....	33
Table 03.100 - Cylinder head - valves.....	34
Table 03.130 - Front cylinder timing system.....	36
Table 03.150 - Cylinder - Piston.....	37
Table 03.160 - Drive shaft.....	38
Table 03.170 - Gear box / Selector / Shift cam.....	39
Table 03.180 - Gear box - Gear assembly.....	40
Table 03.200 - Oil pump.....	42
Table 03.210 - Water pump.....	43
Table 03.220 - Clutch cover.....	44
Table 03.230 - Clutch.....	45
Table 03.270 - Flywheel cover.....	46
Table 03.290 - Starter / Electric starter.....	47
Table 03.300 - Cdi magneto assy / Ignition unit.....	48
Table 03.330 - Exhaust pipe.....	49
Suspensions.....	50
Table 04.070 - Front fork Ming Xing.....	50
Table 04.080 - Shock absorber.....	51

---

Wheels.....	52
Table 05.010 - Front wheel.....	52
Table 05.020 - Rear wheel.....	53
Brake system.....	54
Table 06.010 - Front master cilinder.....	54
Table 06.020 - Front brake caliper.....	55
Table 06.030 - Rear master cylinder.....	56
Table 06.040 - Rear brake caliper.....	57
Handlebar - Controls.....	58
Table 07.010 - Steering.....	58
Table 07.020 - Handlebar - Controls.....	59
Table 07.030 - Clutch control.....	60
Lights - Instruments.....	61
Table 08.010 - Front lights.....	61
Table 08.020 - Instruments.....	62
Table 08.030 - Rear lights.....	63
Tank.....	64
Table 09.010 - Fuel tank.....	64
Cooling system.....	65
Table 10.020 - Cooling system.....	65
Electrical systems.....	66
Table 11.010 - Front electrical system.....	66
Table 11.030 - Rear electrical system.....	67

## Finished products

Code	Validity
AP6112500ECE08	
AP6112500ECEXX	

Code	No. table	Pos.	Code	No. table	Pos.	Code	No. table	Pos.
00000004510	03.010	19	239388	03.030	11	640517	09.010	2
00000004512	06.010	5	254485	02.040	21	640754	08.010	3
00001213190	04.080	3	254485	02.090	15	641009	03.300	6
00002011600	01.010	26	254485	06.010	12	641541	03.220	10
00003515370	01.020	23	254485	10.020	12	642032	07.030	4
00003515370	10.020	22	254485	10.020	15	658830	06.030	11
00008915020	10.020	16	254485	11.010	22	709674	03.100	19
000097	03.230	15	254485	11.030	17	82573R	03.090	5
000097	03.290	5	274369	03.170	8	826165	03.200	14
00011141300	01.050	10	285536	03.200	13	82650R	03.150	10
00011141300	02.150	2	287959	03.160	3	82668R	03.030	5
00011142500	10.020	24	288474	03.200	12	828922	03.030	12
00016041301	01.050	9	292022	08.010	22	82893R	03.150	3
00032015000	01.050	7	2B000735	06.040	1	82897R	03.210	10
00032015000	05.010	10	2H000481	02.190	27	8290405	03.270	4
00058020200	05.010	3	2H000524	02.190	3	829593	03.200	4
00058020200	05.020	3	2H000525	02.190	4	829661	03.200	10
003056	03.060	8	2H000526	02.190	1	82991R	03.210	4
00402100001	01.010	25	2H000527	02.190	5	840320	03.300	4
005970	03.170	9	2H000528	02.190	9	841613	03.300	9
006125	03.170	18	2H000529	02.190	8	845753	03.210	5
006408	03.200	1	2H000532	02.190	17	847019	03.030	4
006409	03.200	5	2H000533	02.190	18	847031	03.180	2
006410	03.230	16	2H000534	02.190	10	847032	03.180	4
008375	03.290	7	2H000535	02.190	11	847042	03.230	19
00A00410501	10.020	5	2H000536	02.190	19	847043	03.230	21
00F04201361	03.330	13	2H000537	02.190	20	847045	03.230	2
00G00909071	07.020	1	2H000538	02.190	21	847046	03.230	5
00H00300672	01.050	6	2H000539	02.190	22	847048	03.230	7
00H00300672	05.010	11	2H000540	02.190	25	847069	03.170	13
00H00300672	05.020	9	2H000541	02.190	26	847073	03.170	17
00H00301811	01.050	2	2H000542	02.190	24	847075	03.030	16
00H00302892	04.080	5	2H000543	02.190	23	847075	03.220	8
00H00303892	04.080	2	2H000544	02.190	12	847076	03.030	10
00H00305411	01.050	3	2H000545	02.190	13	847083	03.170	4
00H00601931	02.170	23	2H000546	02.190	14	847183	03.200	2
00H00900351	07.030	3	2H000547	02.190	15	847210	03.170	14
00H00904291	07.030	2	2H000548	02.190	29	847214	03.170	15
00H01201331	05.010	12	2H000549	02.190	28	847218	03.230	12
00H01203291	05.010	9	2H000550	02.190	16	847222	03.230	18
00H01205031	05.010	2	414838	03.220	7	847223	03.230	10
00H01205271	05.010	8	414838	03.270	5	847224	03.230	17
00H01212841	05.010	1	431242	03.200	11	847228	03.170	10
00H01301471	05.020	15	432142	03.030	14	847275	03.160	6
00H01301491	05.020	16	434541	03.130	3	847541	03.180	19
00H01303171	05.020	14	434541	03.150	12	847545	03.180	20
00H01308091	05.020	2	436783	03.230	13	847546	03.180	17
00H01503701	02.030	10	478761	01.010	20	847547	03.180	18
00H01600911	03.010	17	479515	03.300	10	847928	03.150	11
00H02201731	03.330	2	479986	03.270	3	849898	03.060	6
00H02402282	05.010	6	484993	03.030	8	851295	03.220	3
00H02402282	05.020	6	485655	03.200	9	85129R	02.170	1
00H02810421	03.010	3	485912	03.030	2	852151	02.040	1
00H03405061	03.330	6	486972	03.300	5	852152	02.040	2
00H03406321	03.330	15	575268	11.010	19	8580170001	03.030	17
00H03800722	10.020	20	576542	09.010	4	8580170002	03.030	17
012554	11.010	20	576546	09.010	3	8580180001	03.030	18
015715	03.300	2	58090R	11.010	5	8580180002	03.030	18
018639	03.290	4	58115R	11.030	3	858725	08.030	1
020003	11.010	17	58120R	11.010	23	858827	02.030	1
031057	03.030	19	58143R	03.290	3	858828	02.080	3
177442	03.030	9	581957	02.040	27	858829	02.080	4
178790	03.160	7	583236	11.010	21	858830	02.040	14
182015	03.030	6	584662	11.030	2	8588370000XN1	02.120	8
218812	11.030	12	623920	03.170	6	858838	02.120	9
224664	03.030	13	640043	03.300	1	858839	08.030	6
224664	03.030	20	640485	03.100	15	858840	02.140	15

Code	No. table	Pos.	Code	No. table	Pos.	Code	No. table	Pos.
858842	02.140	16	8713724	03.210	9	895914	02.140	25
85884400A1	02.120	2	871418	03.210	2	895915	02.070	12
858903	01.010	10	871427	03.180	16	895916	02.040	6
861130	03.050	2	871428	03.180	15	896174	02.070	5
861299	10.020	9	871442	03.180	1	896174	03.050	5
86135R	11.010	7	871443	03.180	3	896487	02.170	10
86203R	07.020	2	871445	03.130	4	897279	01.010	6
862403	03.050	3	8714465001	03.160	4	897575	08.010	1
862404	03.050	4	8714465002	03.160	4	897578	01.020	2
862560	03.330	8	871450	03.210	6	897579	01.020	1
863320	03.050	10	871451	03.200	7	897614	02.140	1
863506	03.330	9	871454	03.200	6	89768800XN3	02.030	12
863540	02.180	2	871486	03.290	1	89768900XN3	02.030	11
863764	03.330	3	8714915	03.290	2	897690	02.040	7
863943	10.020	4	871500	03.200	8	897691	02.100	1
864049	10.020	19	871501	03.200	3	897692	02.100	2
864164	10.020	23	871515	03.290	6	897693	02.070	4
864510	10.020	1	871521	03.300	8	897694	02.070	3
864572	10.020	2	871554	03.170	12	89769600XN1	02.090	8
865482	07.010	3	871558	03.270	2	897700	02.030	2
865493	06.030	17	871598	03.150	1	897759	09.010	1
865511	06.030	19	871705	03.090	1	897761	09.010	5
865615	01.050	4	8721654	03.170	7	897800	03.060	2
865646	07.030	5	872692	03.150	5	897801	03.060	7
865650	03.010	9	872693	03.150	6	898054	03.050	1
865654	10.020	18	872694	03.150	7	89805500XH4	01.010	1
865655	03.210	12	872954	03.180	13	898056	03.050	6
865655	10.020	17	872958	03.180	6	898059	03.010	7
865666	07.010	7	872959	03.180	11	898065	08.020	10
8656670001	04.080	1	872962	03.180	14	898067	11.010	26
865681	05.020	8	873086	03.030	3	898074	02.070	10
86594400W5G	03.330	11	873097	03.180	24	898133	03.010	24
865951	07.030	1	873173	03.150	8	898134	03.010	25
866012	02.030	13	873294	03.100	23	898363	11.030	16
866090	05.010	5	873498	03.300	3	898365	01.010	21
866115	05.020	5	873627	03.230	4	898431	03.100	17
866136	10.020	3	873651	03.090	2	898460	11.010	1
866138	01.020	18	873735	03.030	15	898460	11.030	1
866139	01.020	19	874081	03.220	6	898463	03.010	22
866141	01.020	17	874617	03.090	6	898491	03.100	1
866142	01.020	16	874676	03.270	7	898626	11.030	10
866215	01.020	24	874678	03.270	6	898627	03.170	2
866233	07.020	3	874760	03.230	9	898628	03.170	3
866266	07.020	4	874776	03.270	1	898687	08.020	2
866514	03.010	10	876418	03.230	8	898688	08.020	3
866514	06.030	4	878241	03.220	2	898696	08.010	5
866536	05.020	10	879285	03.230	6	898698	08.030	2
866540	05.020	13	879942	03.170	11	898715	02.090	5
8667100002	04.070	1	880095	03.180	25	898764	03.330	7
866753	01.050	5	890208	01.020	6	898900	02.170	6
866754	01.050	13	890225	03.060	5	898907	01.010	23
867237	06.010	8	890638	01.010	15	898908	01.010	24
867237	06.030	18	890964	02.030	14	898909	07.010	1
867238	06.010	9	893259	02.120	16	899071	02.030	21
867238	06.030	15	893763	02.190	6	899104	02.170	5
867240	06.020	3	893764	02.190	7	899105	02.170	11
867240	06.040	3	89382400A1	02.120	1	899106	02.170	12
867258	02.030	17	893929	08.010	2	899107	02.170	9
867334	10.020	8	893930	08.010	4	899108	02.140	2
867339	05.020	1	893979	02.080	7	89912000C1	02.120	3
8711565001	03.160	5	893980	02.080	8	899151	03.170	1
8711565002	03.160	5	894566	08.030	18	899154	03.170	16
871341	03.230	3	894657	02.140	17	899166	01.030	1
871342	03.160	2	894796	08.010	21	899214	02.080	5
871354	03.210	1	895487	02.140	29	899215	02.080	6
871358	03.210	3	895488	02.140	31	8993115001	03.030	1
871369	03.300	7	895869	02.040	5	8993115002	03.030	1

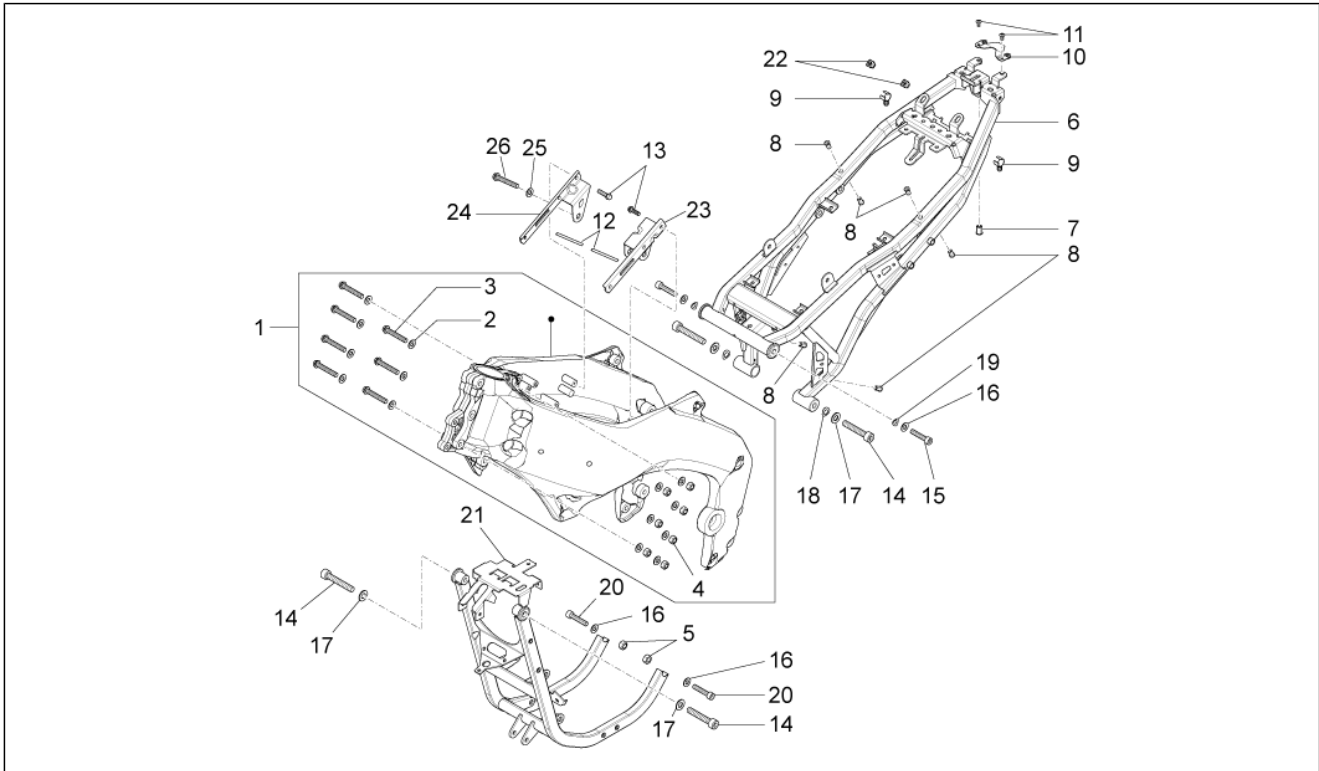
Code	No. table	Pos.	Code	No. table	Pos.	Code	No. table	Pos.
8993135001	03.150	2	AP8102386	11.030	9	AP8134167	02.040	22
8993135002	03.150	2	AP8102401	03.050	8	AP8134167	06.010	10
8993135003	03.150	2	AP8102504	02.080	13	AP8134186	11.030	7
8993135004	03.150	2	AP8102504	02.120	10	AP8134829	01.020	5
899428	03.180	21	AP8102524	01.030	9	AP8140710	02.170	2
899432	03.180	8	AP8102786	03.050	11	AP8144563	02.080	10
899433	03.180	9	AP8102902	01.010	7	AP8144563	02.140	30
899434	03.180	7	AP8102909	02.040	25	AP8144565	02.120	13
899435	03.180	10	AP8104597	07.010	4	AP8144606	01.010	12
89947400XH4	01.050	1	AP8110053	03.010	13	AP8144616	02.080	15
899475	03.330	1	AP8110093	07.010	6	AP8144616	02.140	28
899485	05.020	11	AP8112458	11.030	5	AP8144713	02.090	6
899542	02.170	4	AP8112600	02.140	22	AP8145056	01.030	7
899543	02.170	8	AP8112600	08.030	17	AP8146864	01.020	11
899613	05.020	12	AP8112916	02.140	20	AP8146865	01.020	9
899637	07.020	5	AP8117033	02.040	26	AP8150013	03.330	14
899798	03.230	14	AP8117033	11.030	13	AP8150015	10.020	11
899801	03.230	1	AP8117258	08.030	14	AP8150017	01.010	16
899802	03.230	20	AP8120030	02.100	6	AP8150017	01.010	2
899803	03.210	11	AP8120030	08.010	11	AP8150017	01.030	18
899858	05.010	7	AP8120405	08.010	12	AP8150018	06.030	7
899859	05.020	7	AP8120416	08.010	13	AP8150020	01.010	17
899867	02.190	2	AP8120531	02.030	9	AP8150026	03.010	16
8999175001	03.160	1	AP8120581	11.030	4	AP8150038	01.010	14
8999175002	03.160	1	AP8120582	11.030	6	AP8150044	10.020	10
932108	03.060	9	AP8120592	01.020	27	AP8150049	06.020	4
AP2BAA000206	03.100	16	AP8120622	02.080	9	AP8150050	02.070	1
AP2CAA000521	03.100	4	AP8120657	07.020	7	AP8150073	02.040	29
AP2DBN000133	03.150	9	AP8120657	08.030	20	AP8150107	01.030	10
AP2DCA000254	03.130	5	AP8120947	02.090	11	AP8150107	04.070	18
AP3ADN000115	03.100	12	AP8121032	02.030	7	AP8150107	07.020	8
AP3ATN000118	03.090	3	AP8121032	02.040	17	AP8150115	02.030	5
AP3CAA000399	03.090	4	AP8121032	02.090	4	AP8150137	03.010	5
AP3CAA000412	03.100	11	AP8121032	08.010	14	AP8150148	02.040	30
AP3CBA000675	03.100	20	AP8121075	11.010	4	AP8150158	02.100	8
AP3CBA000677	03.100	21	AP8121080	01.030	8	AP8150158	02.120	18
AP3CGA000244	03.100	22	AP8121133	01.020	8	AP8150158	02.140	23
AP3CGA000635	03.100	7	AP8121134	01.020	12	AP8150158	02.140	8
AP3CHA000237	03.100	5	AP8121184	02.100	7	AP8150158	08.030	16
AP3CIA000238	03.100	6	AP8121184	02.140	3	AP8150164	01.030	15
AP3CLA000636	03.100	2	AP8121324	09.010	7	AP8150170	01.020	28
AP3CLA000637	03.100	3	AP8121679	10.020	13	AP8150170	07.010	2
AP3DBA000640	03.130	6	AP8121697	03.010	26	AP8150177	01.050	11
AP3DDA000379	03.130	1	AP8121697	06.030	6	AP8150179	08.020	11
AP3DDA000380	03.130	2	AP8121716	02.090	10	AP8150179	11.010	3
AP3DVN000235	03.130	8	AP8121728	08.020	8	AP8150196	04.070	17
AP3EEN000234	03.100	13	AP8121728	11.030	15	AP8150204	02.140	24
AP3FCN000127	03.100	10	AP8121804	02.090	12	AP8150204	08.030	19
AP3FCN000247	03.030	7	AP8121882	01.010	9	AP8150211	11.010	15
AP3FCN000250	03.100	18	AP8121889	01.030	17	AP8150220	02.170	20
AP4ABN000117	03.100	14	AP8121939	01.020	15	AP8150220	06.030	13
AP4ABN000132	03.130	7	AP8121939	01.030	26	AP8150236	04.070	4
AP4ADN000248	03.100	9	AP8121940	01.020	22	AP8150248	02.070	11
AP8101573	10.020	6	AP8121999	01.030	2	AP8150248	02.150	3
AP8101595	10.020	7	AP8124235	11.030	11	AP8150252	02.070	2
AP8101861	01.020	7	AP8124914	07.020	11	AP8150272	01.030	16
AP8102341	02.040	15	AP8124918	07.020	6	AP8150284	03.010	4
AP8102375	02.030	3	AP8127098	08.030	13	AP8150285	02.090	2
AP8102375	02.070	6	AP8127489	08.010	8	AP8150292	01.010	18
AP8102375	02.080	12	AP8127489	08.030	12	AP8150376	01.010	19
AP8102375	02.090	7	AP8127803	08.010	6	AP8150378	02.120	5
AP8102375	02.100	4	AP8127803	08.030	8	AP8150382	02.040	18
AP8102375	02.140	6	AP8127804	08.010	7	AP8150382	02.140	32
AP8102375	03.050	7	AP8127804	08.030	9	AP8150382	08.010	16
AP8102375	08.010	10	AP8127856	01.030	11	AP8150382	08.020	5
AP8102381	02.100	5	AP8132957	01.020	14	AP8150413	02.120	14
AP8102381	02.140	7	AP8132958	01.020	21	AP8150420	08.030	7

Code	No. table	Pos.	Code	No. table	Pos.	Code	No. table	Pos.
AP8150421	02.120	12	AP8152298	08.030	5	AP8224462	11.010	10
AP8150429	06.030	11	AP8152299	01.030	22	AP8224623	02.030	23
AP8150430	06.030	12	AP8152299	02.030	16	AP8234153	02.090	16
AP8150431	01.020	3	AP8152299	02.030	19	AP8235011	03.010	8
AP8150432	04.080	4	AP8152299	02.090	18	AP8235012	06.030	1
AP8150435	07.020	9	AP8152299	06.030	14	AP9100175	01.030	14
AP8150444	02.040	8	AP8152299	06.030	8	AP9150167	03.220	5
AP8150444	02.070	9	AP8152299	08.010	19	AP9150355	03.220	4
AP8150444	02.140	14	AP8152299	08.020	7	AP9150472	03.220	9
AP8150450	02.080	14	AP8152299	08.030	11	B043207	01.050	8
AP8150450	02.120	11	AP8152299	11.010	6	B043208	02.040	13
AP8150453	02.170	21	AP8152300	01.010	5	B043209	02.150	1
AP8150454	02.170	22	AP8152300	01.020	26	B043223	08.010	9
AP8150468	03.010	11	AP8152300	01.030	19	B043224	03.170	5
AP8150468	06.030	5	AP8152300	02.090	9	B043230	11.010	18
AP8150500	02.030	4	AP8152300	03.330	5	B043242	02.040	11
AP8150500	02.140	9	AP8152300	11.010	9	B043243	02.040	12
AP8150506	02.040	28	AP8152302	02.140	4	B043244	02.040	3
AP8150508	08.020	9	AP8152306	01.030	13	B043245	02.040	4
AP8150509	02.040	19	AP8152306	02.140	27	B043285	02.040	20
AP8150509	02.140	18	AP8152329	02.140	12	B0434660000XNG	02.040	10
AP8150509	08.010	15	AP8152329	08.020	1	B0434670000XE4	02.080	2
AP8150509	08.020	6	AP8152339	02.030	15	B0434680000XE4	02.080	1
AP8150515	02.040	16	AP8152339	02.080	11	B0434760000XN1	02.090	1
AP8150515	08.010	17	AP8152339	02.090	14	B04347700XNG	02.140	11
AP8150521	03.060	3	AP8152339	02.100	3	B04347800XNG	02.140	10
AP8150522	08.030	15	AP8152339	02.140	5	B043541	01.050	12
AP8150536	02.090	3	AP8152342	02.040	23	B043768	01.030	4
AP8150538	01.010	11	AP8152350	01.010	4	B043773	09.010	6
AP8152001	01.030	3	AP8152409	01.020	10	B043788	03.220	1
AP8152043	02.120	17	AP8161074	01.030	20	B043826	03.010	6
AP8152128	11.010	2	AP8161076	01.030	21	B043834	03.010	23
AP8152137	02.030	6	AP8161118	10.020	21	B043850	11.010	27
AP8152137	08.010	18	AP8161175	02.170	18	B043934	02.120	7
AP8152137	08.030	10	AP8161203	02.030	22	B044008	03.010	20
AP8152138	03.010	14	AP8161203	06.030	20	B044047	04.070	2
AP8152181	01.030	23	AP8161203	11.010	25	B044048	04.070	3
AP8152194	02.170	14	AP8161204	02.170	19	B044049	04.070	5
AP8152196	01.020	25	AP8201305	02.170	3	B044050	04.070	6
AP8152229	02.170	16	AP8201546	05.010	4	B044051	04.070	7
AP8152246	02.030	8	AP8201546	05.020	4	B044052	04.070	8
AP8152246	02.140	19	AP8201620	02.170	7	B044053	04.070	9
AP8152267	02.140	21	AP8201727	07.020	10	B044054	04.070	10
AP8152272	01.020	20	AP8201727	08.010	20	B044055	04.070	11
AP8152272	02.030	20	AP8201727	11.030	8	B044056	04.070	12
AP8152272	03.050	9	AP8201748	02.170	15	B044057	04.070	13
AP8152273	03.010	18	AP8201749	02.170	13	B044058	04.070	14
AP8152273	03.330	12	AP8201755	01.010	8	B044059	04.070	15
AP8152275	01.030	12	AP8203550	07.010	5	B044060	04.070	16
AP8152277	02.030	18	AP8210007	03.010	15	B044061	04.070	20
AP8152277	02.040	24	AP8220135	07.030	6	B044062	04.070	19
AP8152277	11.010	16	AP8220150	08.020	4	B044138	05.020	18
AP8152278	01.010	13	AP8220177	03.010	21	B044194	06.010	1
AP8152278	06.010	11	AP8220186	02.040	9	B044195	06.010	7
AP8152279	02.070	7	AP8220186	08.030	3	B044196	06.020	1
AP8152279	02.120	6	AP8220189	03.010	12	B044197	06.010	2
AP8152279	11.030	14	AP8220189	06.030	2	B044198	06.010	3
AP8152280	10.020	14	AP8220238	02.120	15	B044201	06.020	2
AP8152281	01.030	27	AP8220349	02.120	4	B044202	06.020	2
AP8152281	02.090	17	AP8221036	08.030	4	B044203	06.030	9
AP8152286	11.010	8	AP8221129	02.170	17	B044204	06.030	16
AP8152287	05.020	17	AP8221204	01.030	5	B044222	03.180	5
AP8152290	01.020	4	AP8221211	01.030	6	B044223	06.040	2
AP8152290	02.090	13	AP8221213	01.010	22	B044224	06.040	2
AP8152292	01.010	3	AP8221213	02.140	13	B044240	03.180	22
AP8152292	03.330	4	AP8221286	01.020	13	B044255	06.030	3
AP8152298	02.140	26	AP8221349	02.070	8	B044264	03.010	2



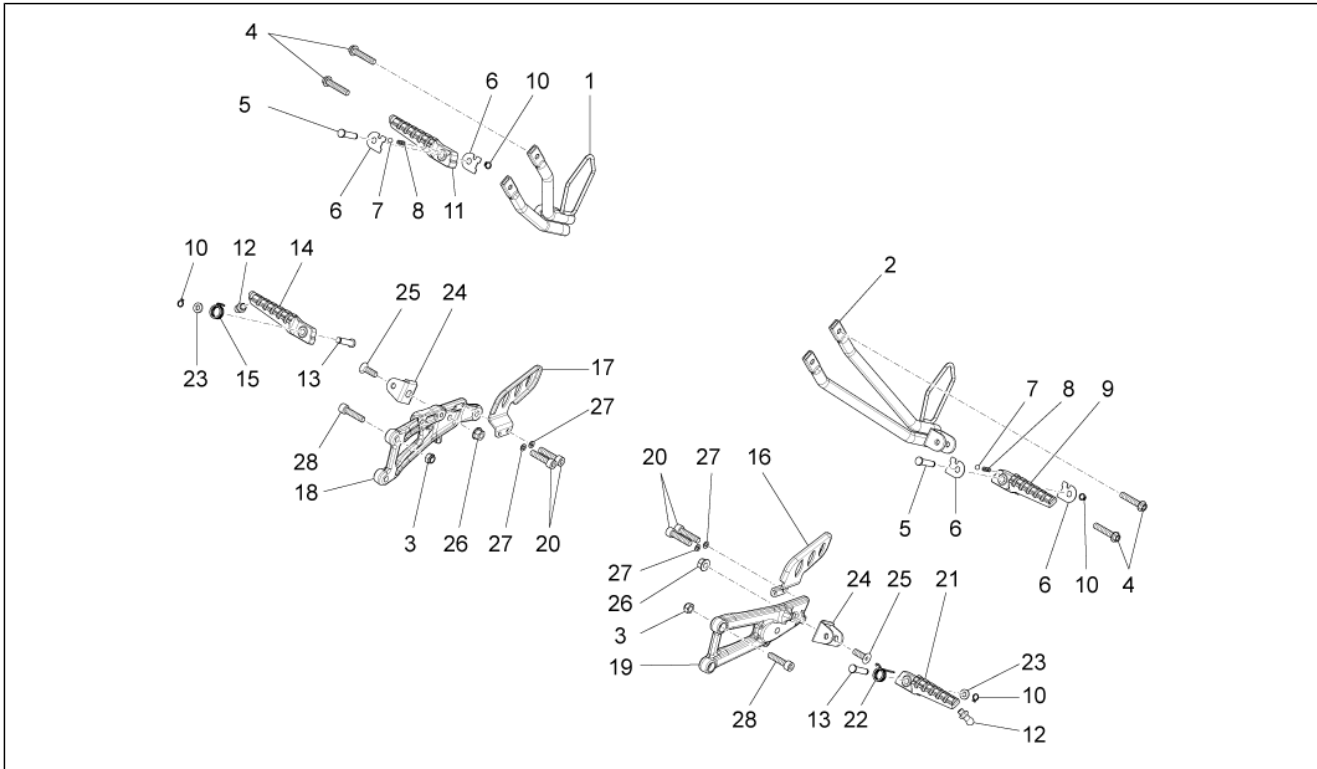
Code	No. table	Pos.
B044392	01.030	24
B044395	01.030	25
B044408	06.010	4
B044409	06.010	6
B044410	06.020	5
B044411	03.230	11
B044412	06.040	4
B044488	06.030	10
B044699	03.330	10
B045501	02.180	1
B046328	03.180	23
CM001905	03.050	12
CM001906	03.210	8
CM001907	03.210	7
CM157101	03.180	12
CM157102	03.180	12
CM157103	03.180	12
CM157104	03.180	12
CM157105	03.180	12
CM157106	03.180	12
CM157501	03.150	4
CM157502	03.150	4
CM157503	03.150	4
CM158201	03.100	8
CM158202	03.100	8
CM158203	03.100	8
CM158204	03.100	8
CM158205	03.100	8
CM158206	03.100	8
CM158207	03.100	8
CM158208	03.100	8
CM158209	03.100	8
CM158210	03.100	8
CM158211	03.100	8
CM158212	03.100	8
CM222701	03.100	8
CM222702	03.100	8
CM222703	03.100	8
CM222703	03.100	8
CM222704	03.100	8
CM222705	03.100	8
CM222706	03.100	8
CM222707	03.100	8
CM222708	03.100	8
CM222709	03.100	8
CM222710	03.100	8
CM222711	03.100	8
CM222712	03.100	8
CM225707	11.010	11
CM225715	11.010	12
CM225720	11.010	13
CM225730	11.010	14
CM227201	03.060	1
CM2273025	03.010	1
JC13102X05300	03.060	4
JC33510X94000	11.010	24

<b>Group</b>	Frame
<b>Code</b>	01.010
<b>Description</b>	Frame
<b>Service</b>	1



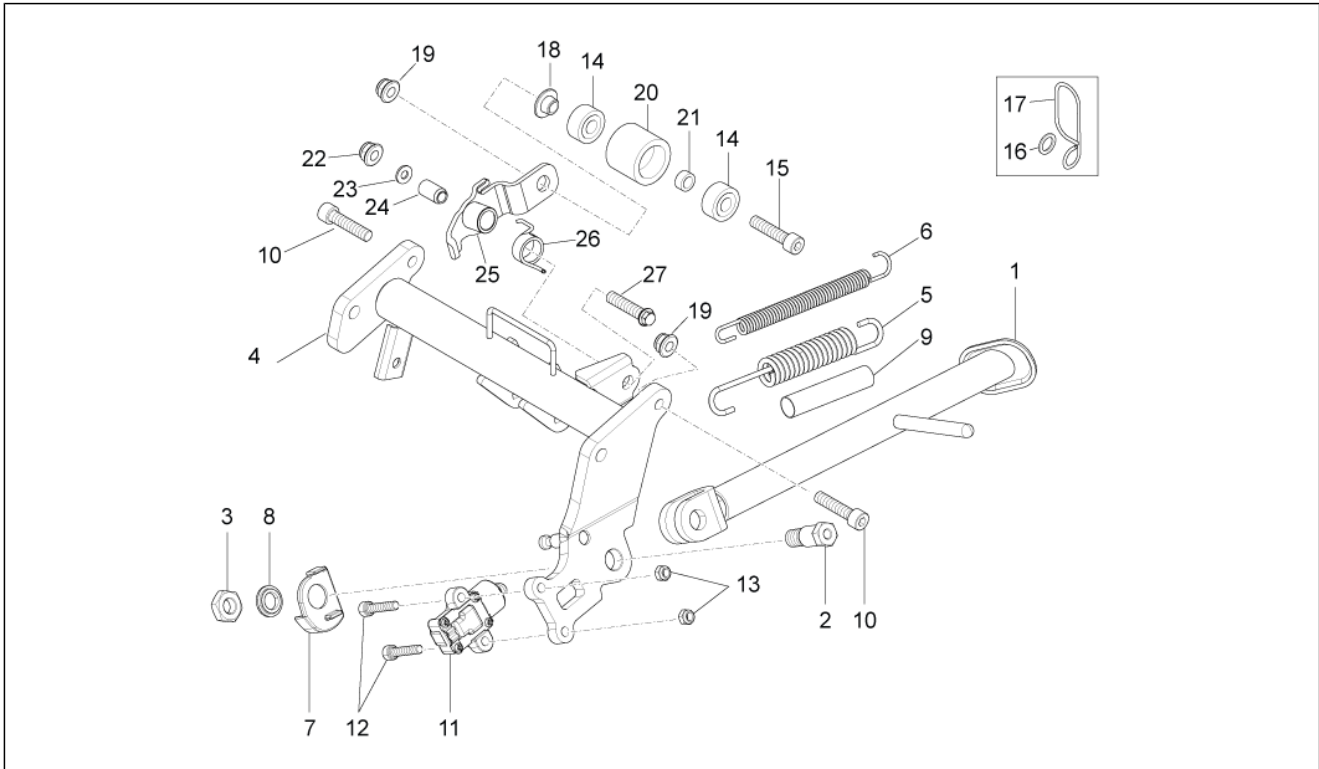
Pos.	Code	Description	Qty	Variants
1	89805500XH4	Frame, grey	1	
2	AP8150017	Washer 8,4x16x1,6	14	
3	AP8152292	Screw w/ flange	7	
4	AP8152350	Nut	7	
5	AP8152300	Self-locking nut M8	2	
6	897279	Saddle support	1	
7	AP8102902	Hex threaded insert	1	
8	AP8201755	Threaded rivet	6	
9	AP8121882	Cable-guide	2	
10	858903	Headlight support clamp	1	
11	AP8150538	Hex socket screw M5x10	2	
12	AP8144606	Gasket 10X5	1	
13	AP8152278	Screw w/ flange M6x16	4	
14	AP8150038	Hex socket screw M10x45	4	
15	890638	Hex socket screw	2	
16	AP8150017	Washer 8,4x16x1,6	4	
17	AP8150020	Washer 10,5x21x2*	4	
18	AP8150292	Curved spring washer *	2	
19	AP8150376	Washer 8,5x15x0,8	2	
20	478761	Hex socket screw	2	
21	898365	Front frame	1	
22	AP8221213	Captive nut M6	2	
23	898907	LH engine support	1	
24	898908	RH engine support	1	
25	00402100001	Washer	2	
26	00002011600	screw M10	2	

<b>Group</b>	Frame
<b>Code</b>	01.020
<b>Description</b>	Foot rests
<b>Service</b>	1



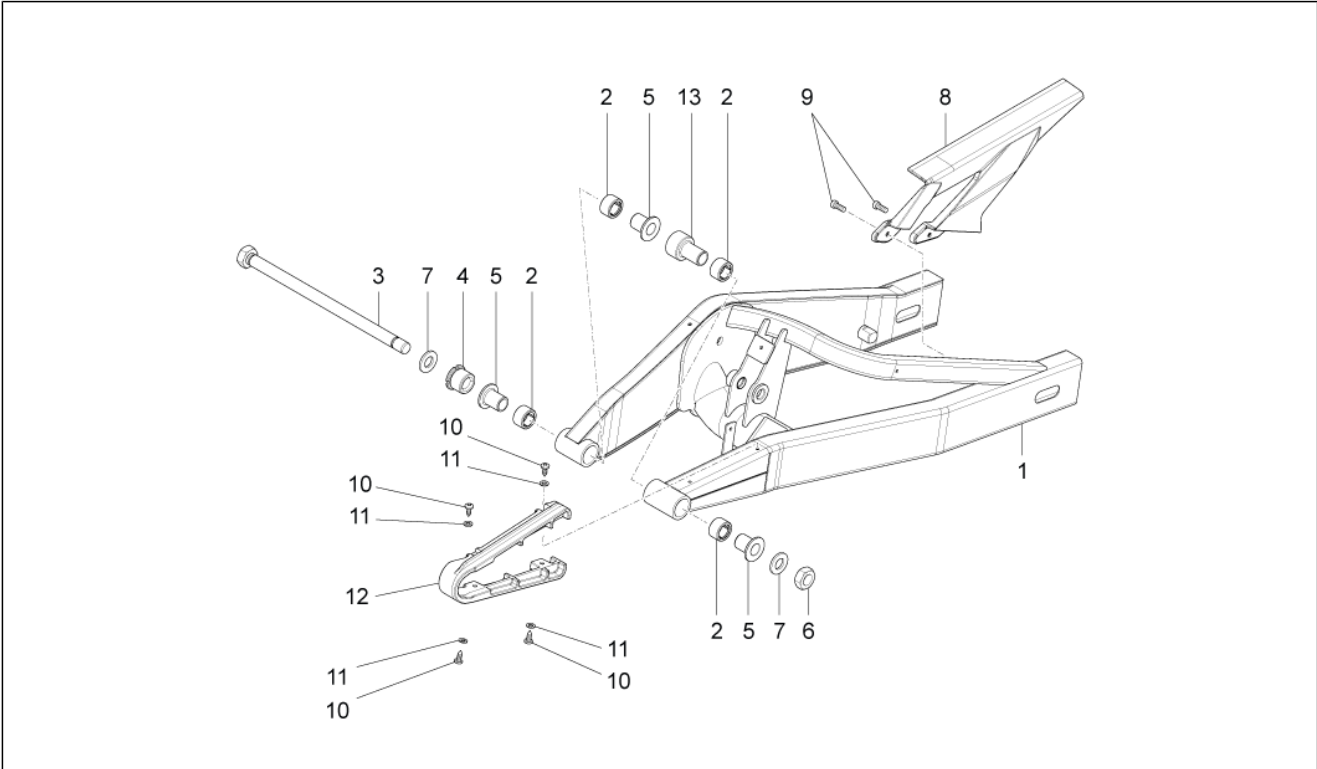
Pos.	Code	Description	Qty	Variants
1	897579	RH footrest support	1	
2	897578	LH footrest support	1	
3	AP8150431	Low nut M8	2	
4	AP8152290	Screw w/ flange M8x40	4	
5	AP8134829	Footrest pin	2	
6	890208	Footrest plate	4	
7	AP8101861	Ball D6,35	2	
8	AP8121133	Coil compress. spring	2	
9	AP8146865	Rear footrest, LH	1	
10	AP8152409	Stop ring	2	
11	AP8146864	Rear footrest, RH	1	
12	AP8121134	Footrest pin	2	
13	AP8221286	Footrest pin	2	
14	AP8132957	RH Foot rests	1	
15	AP8121939	RH front footrest spring	1	
16	866142	LH front footrest guard	1	
17	866141	RH front footrest guard	1	
18	866138	RH front footrest bracket	1	
19	866139	LH front footrest bracket	1	
20	AP8152272	Screw w/ flange M5x12	4	
21	AP8132958	LH Foot rests	1	
22	AP8121940	LH front footrest spring	1	
23	00003515370	Washer	2	
24	866215	Fork	2	
25	AP8152196	Screw M8x26	2	
26	AP8152300	Self-locking nut M8	2	
27	AP8120592	Washer	2	
28	AP8150170	Hex socket screw M8x25	2	

<b>Group</b>	Frame
<b>Code</b>	01.030
<b>Description</b>	Central stand
<b>Service</b>	1



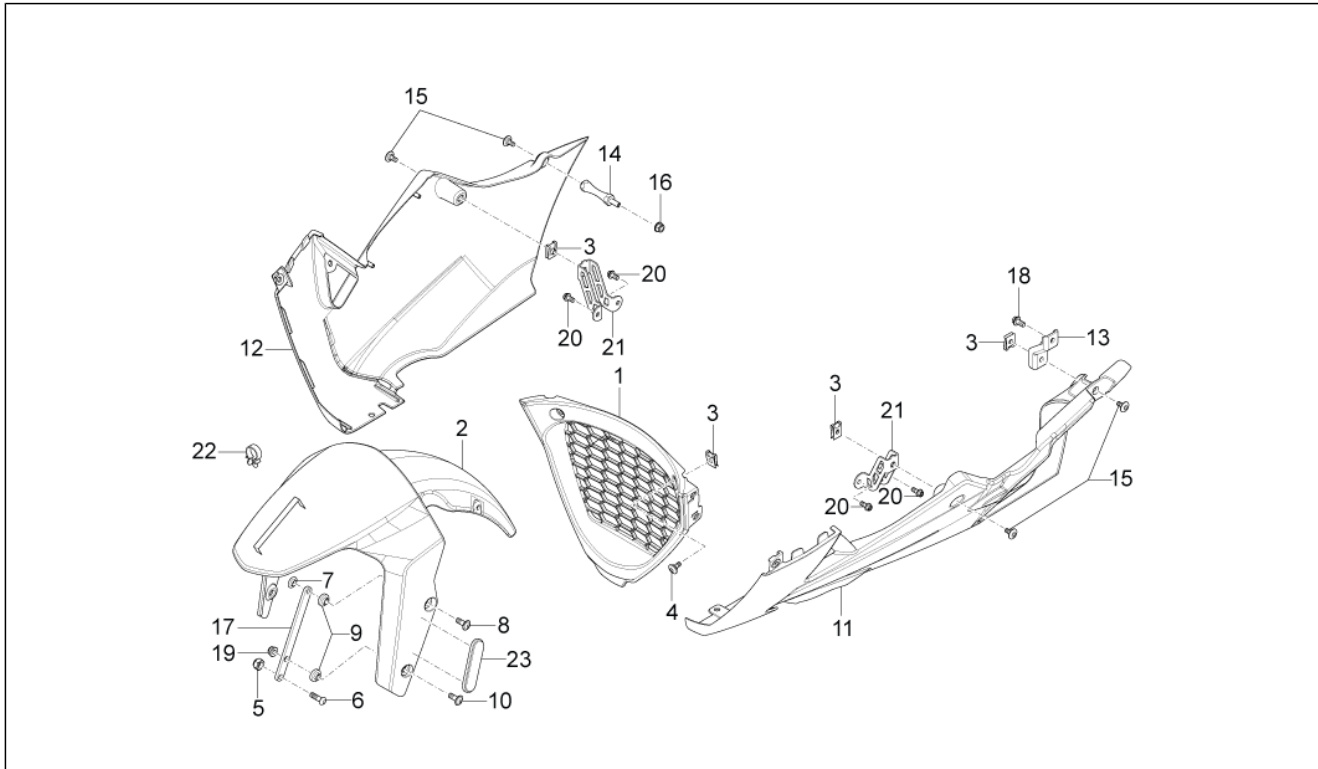
Pos.	Code	Description	Qty	Variants
1	899166	Lateral stand	1	
2	AP8121999	Stand pin	1	
3	AP8152001	Low nut M10x1,25	1	
4	B043768	Stand support	1	
5	AP8221204	Lateral stand spring	1	
6	AP8221211	Internal lateral stand spring	1	
7	AP8145056	Central stand Cam	1	
8	AP8121080	Spacer	1	
9	AP8102524	Stand spring protection	1	
10	AP8150107	Hex socket screw M8x30	2	
11	AP8127856	Lateral stand switch	1	
12	AP8152275	Screw w/ flange M5x25	2	
13	AP8152306	Self-locking nut m5	2	
14	AP9100175	Ball bearing 8x22x7	2	
15	AP8150164	Hex socket screw M8x45	1	
16	AP8150272	Curved spring washer 5,3x10x0,5	1	
17	AP8121889	Cable-guide	1	
18	AP8150017	Washer 8,4x16x1,6	1	
19	AP8152300	Self-locking nut M8	1	
20	AP8161074	Black chain guide roller	1	
21	AP8161076	Spacer	1	
22	AP8152299	Self-locking nut M6	1	
23	AP8152181	Washer 6,4x15x1	1	
24	B044392	Bush	1	
25	B044395	Chain tens. plate	1	
26	AP8121939	RH front footrest spring	1	
27	AP8152281	Screw w/ flange M6x30	1	

<b>Group</b>	Frame
<b>Code</b>	01.050
<b>Description</b>	Swing arm
<b>Service</b>	1



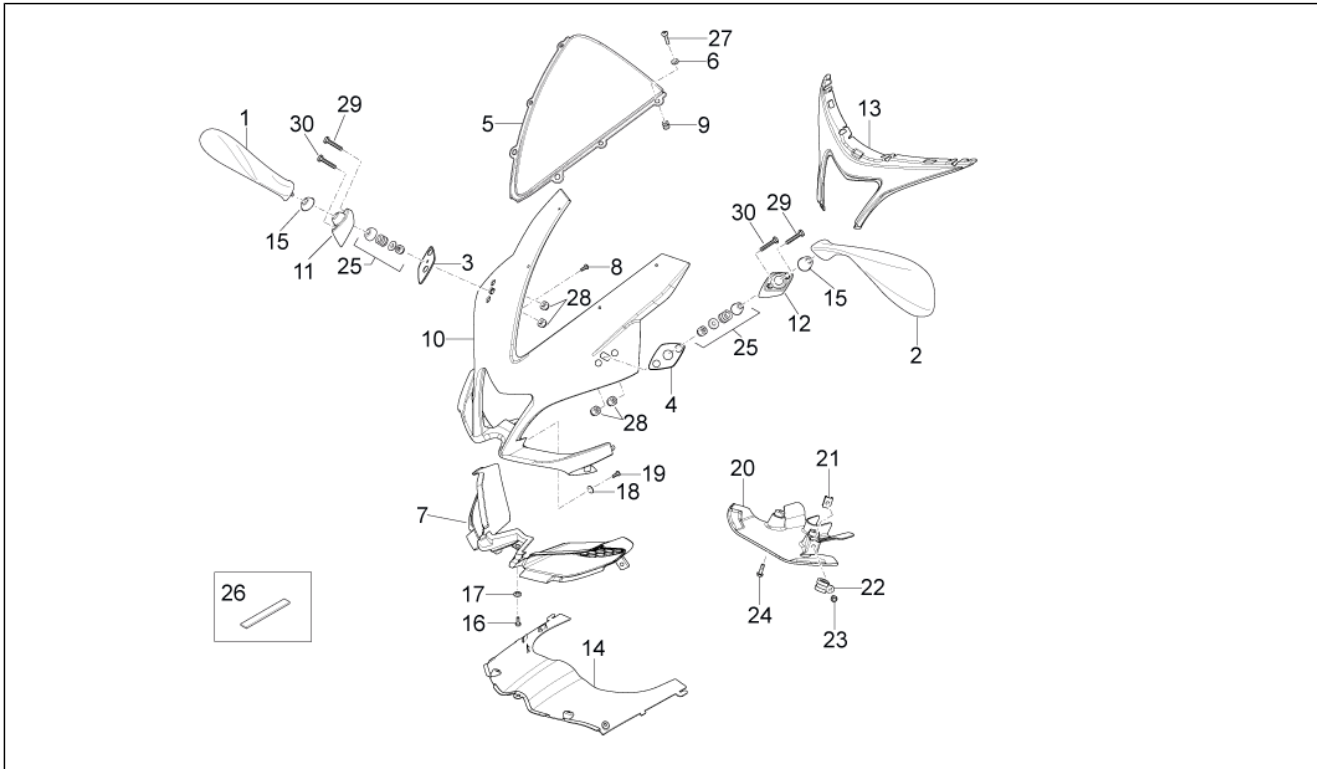
Pos.	Code	Description	Qty	Variants
1	89947400XH4	Swing arm, grey	1	
2	00H00301811	Ring nut	4	
3	00H00305411	Pin	1	
4	865615	Nut	1	
5	866753	Spacer	3	
6	00H00300672	Nut	1	
7	00032015000	Washer	2	
8	B043207	Chain guard	1	
9	00016041301	screw	2	
10	00011141300	screw 4,8X13	4	
11	AP8150177	Washer 5,3X10X1	4	
12	B043541	Chain guide plate	1	
13	866754	LH spacer	1	

<b>Group</b>	Body
<b>Code</b>	02.030
<b>Description</b>	Front mudguard-Pillar
<b>Service</b>	1



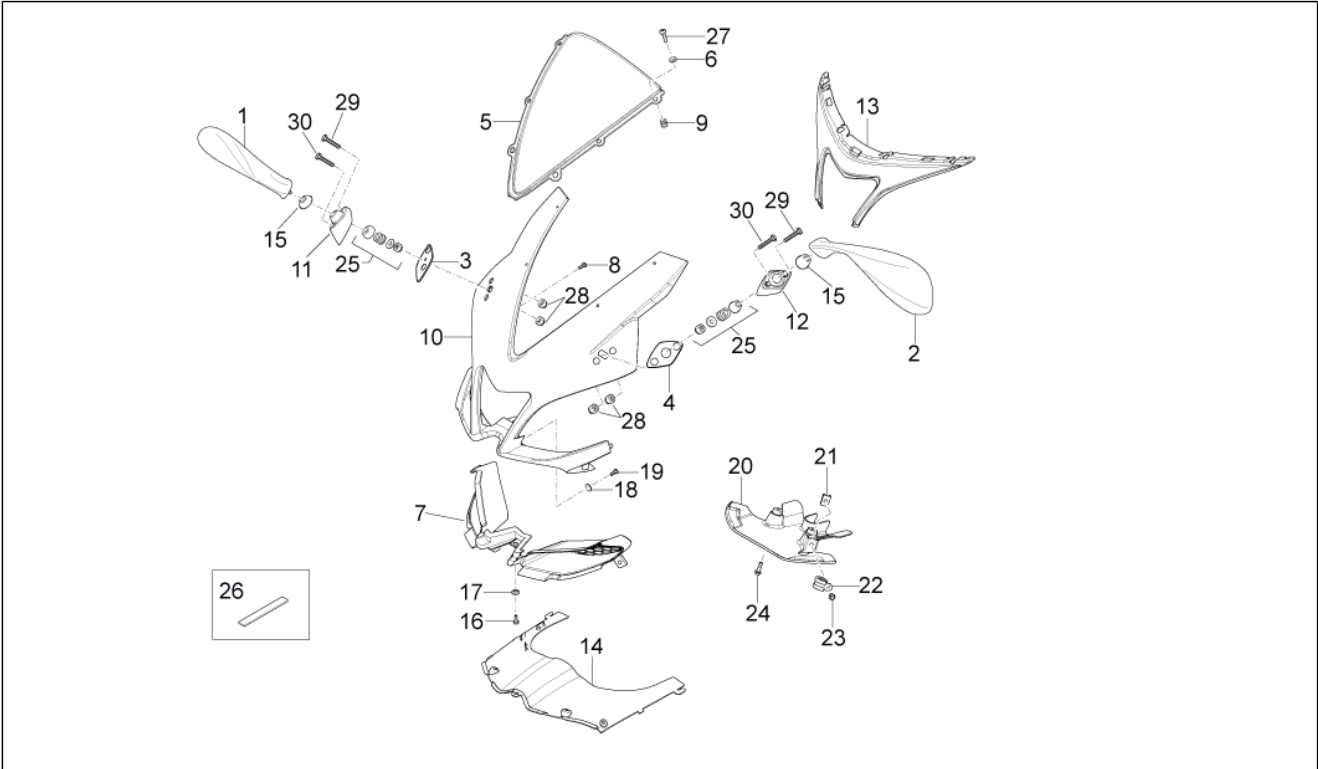
Pos.	Code	Description	Qty	Variants
1	858827	Pillar	1	
2	897700	Front splash guard black	1	
3	AP8102375	Clip m5	5	
4	AP8150500	Hex socket screw M5x9	2	
5	AP8150115	Low self-locking nut M6	2	
6	AP8152137	Hex socket screw M6x20	2	
7	AP8121032	Bush	2	
8	AP8152246	Screw w/ flange M6x16	2	
9	AP8120531	Rubber w/ insert	2	
10	00H01503701	screw	2	
11	89768900XN3	Black left lower fairing	1	Vehicle colour:Replica MY14[RP]
12	89768800XN3	Black right lower fairing	1	Vehicle colour:Replica MY14[RP]
13	866012	Fairing fixing plate	1	
14	890964	Spacer	1	
15	AP8152339	Screw w/ flange M5x9	4	
16	AP8152299	Self-locking nut M6	1	
17	867258	Front splash guard support	2	
18	AP8152277	Screw w/ flange M6x12	2	
19	AP8152299	Self-locking nut M6	1	
20	AP8152272	Screw w/ flange M5x12	4	
21	899071	Fairing support	2	
22	AP8161203	Fairlead	1	
23	AP8224623	Reflector, amber	2	Country:Russia[RU]

<b>Group</b>	Body
<b>Code</b>	02.040
<b>Description</b>	Front fairing
<b>Service</b>	1



Pos.	Code	Description	Qty	Variants
1	852151	RH rearview mirror	1	
2	852152	LH rearview mirror	1	
3	B043244	RH gasket	1	
4	B043245	LH gasket	1	
5	895869	Windshield	1	Vehicle colour:Replica MY14[RP]
6	895916	Plastic washer	4	
7	897690	Headlight closing	1	
8	AP8150444	Self-tapping screw	2	
9	AP8220186	Rubber spacer	2	
10	B0434660000XNG	Front fairing, black	1	Vehicle colour:Replica MY14[RP]
11	B043242	RH rearview mirror base	1	
12	B043243	LH rearview mirror base	1	
13	B043208	Headlight cover cowl	1	
14	858830	Front fairing lower lockup	1	
15	AP8102341	Mirror joint cup	2	
16	AP8150515	Light adjustment self-threading screw	1	
17	AP8121032	Bush	1	
18	AP8150382	Washer 15x5,5X1,2	4	
19	AP8150509	Self-tap screw 5x14	4	
20	B043285	Steering yoke lower closing	1	
21	254485	Spring plate M6	1	
22	AP8134167	Brake hose hanger	1	
23	AP8152342	Screw w/ flange M6x12	1	
24	AP8152277	Screw w/ flange M6x12	2	
25	AP8102909	Mirror insertion kit	2	
26	AP8117033	Adhesive sponge	1	
27	581957	Hex socket screw	4	
28	AP8150506	Flanged nut	4	

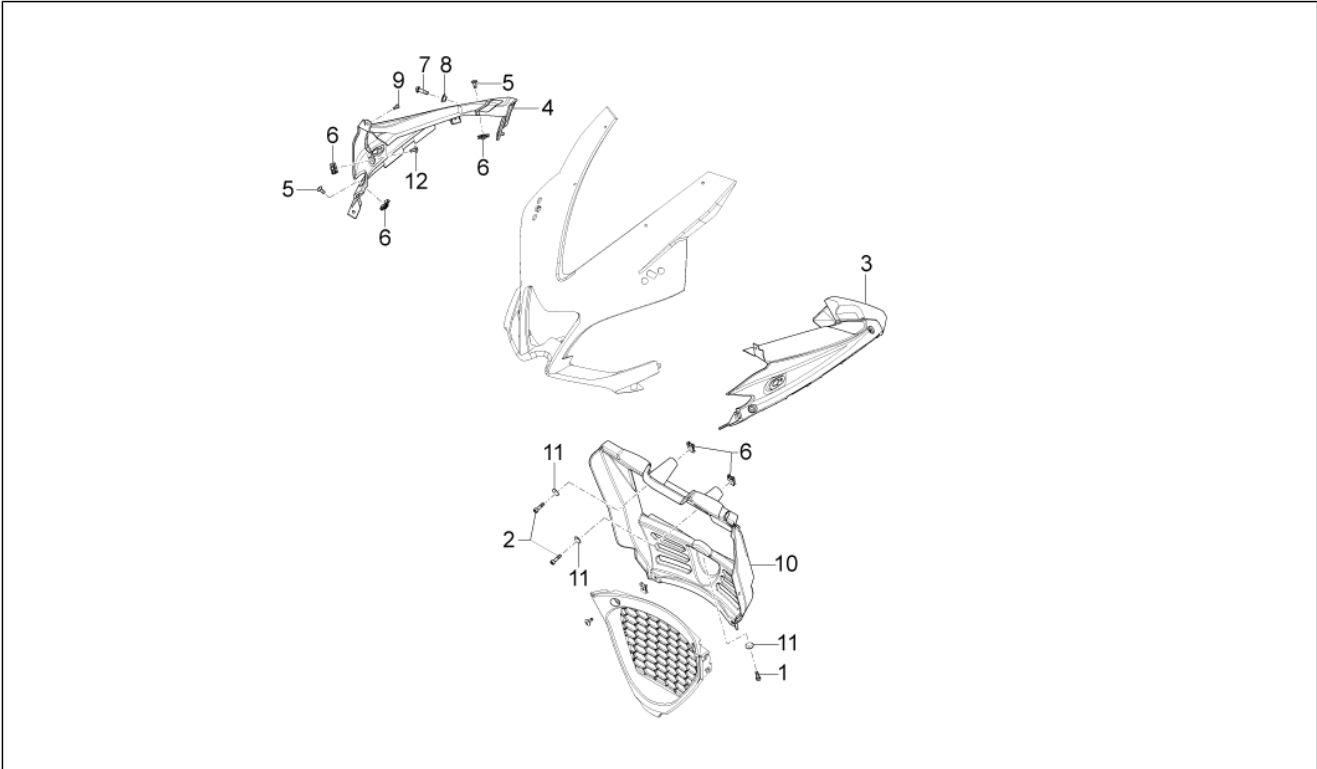
<b>Group</b>	Body
<b>Code</b>	02.040
<b>Description</b>	Front fairing
<b>Service</b>	1



Pos.	Code	Description	Qty	Variants
29	AP8150073	Hex screw M 6 x 30	2	
30	AP8150148	Hex screw M6x35	2	

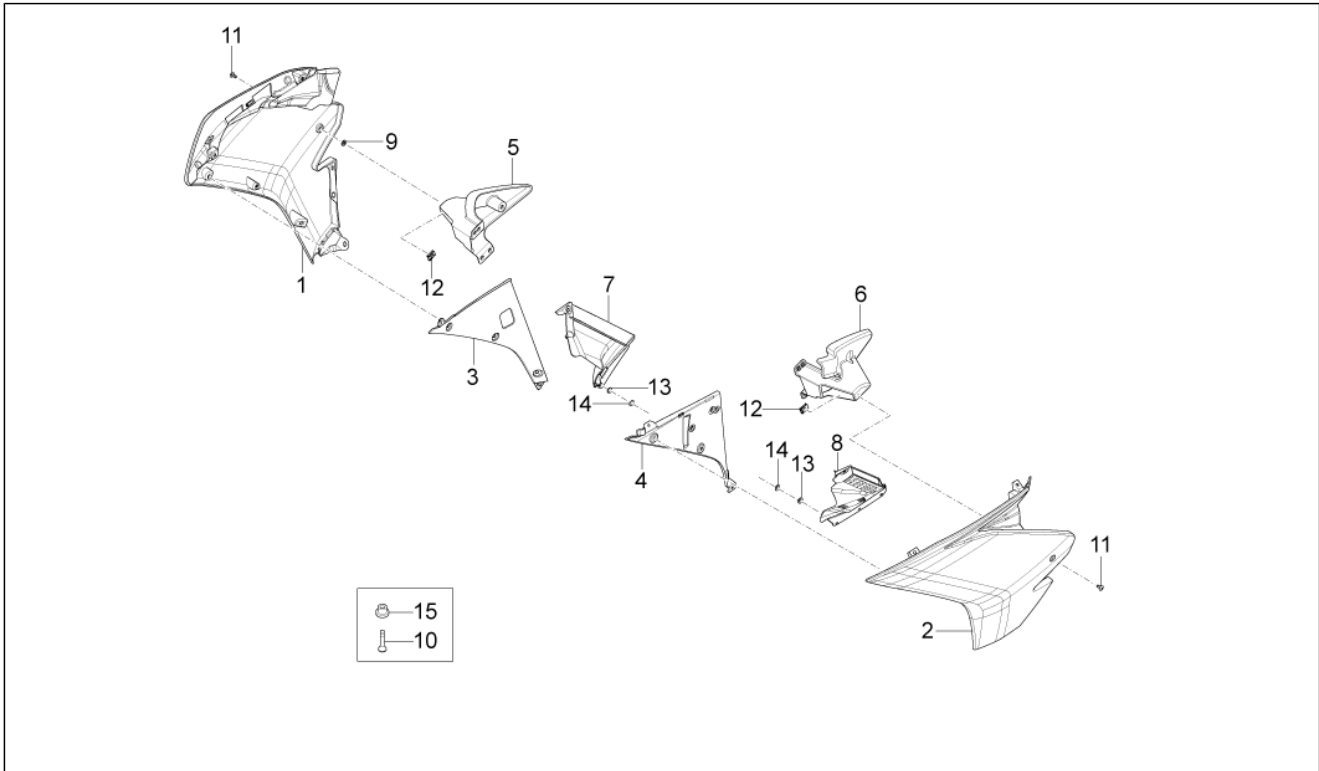


<b>Group</b>	Body
<b>Code</b>	02.070
<b>Description</b>	Duct
<b>Service</b>	1



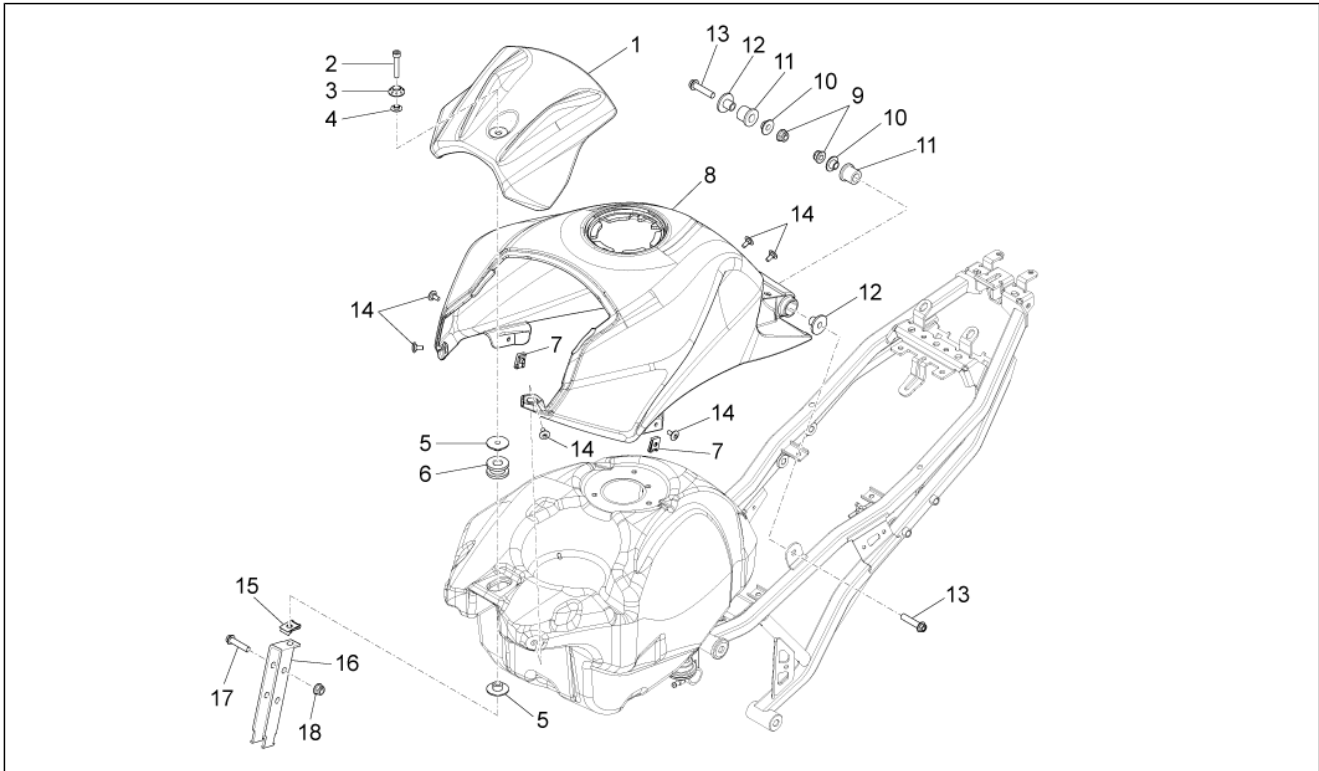
Pos.	Code	Description	Qty	Variants
1	AP8150050	Hex socket screw M5x16	1	
2	AP8150252	Hex socket screw M5x20	2	
3	897694	Left fairing upper closing	1	
4	897693	Right fairing upper closing	1	
5	896174	Hex socket screw M5x12	6	
6	AP8102375	Clip m5	8	
7	AP8152279	Screw w/ flange M6x20	2	
8	AP8221349	T bush	2	
9	AP8150444	Self-tapping screw	2	
10	898074	Radiator frame	1	
11	AP8150248	Washer 5,5x15x1,6	3	
12	895915	Hex socket screw	4	

<b>Group</b>	Body
<b>Code</b>	02.080
<b>Description</b>	Side fairing
<b>Service</b>	1



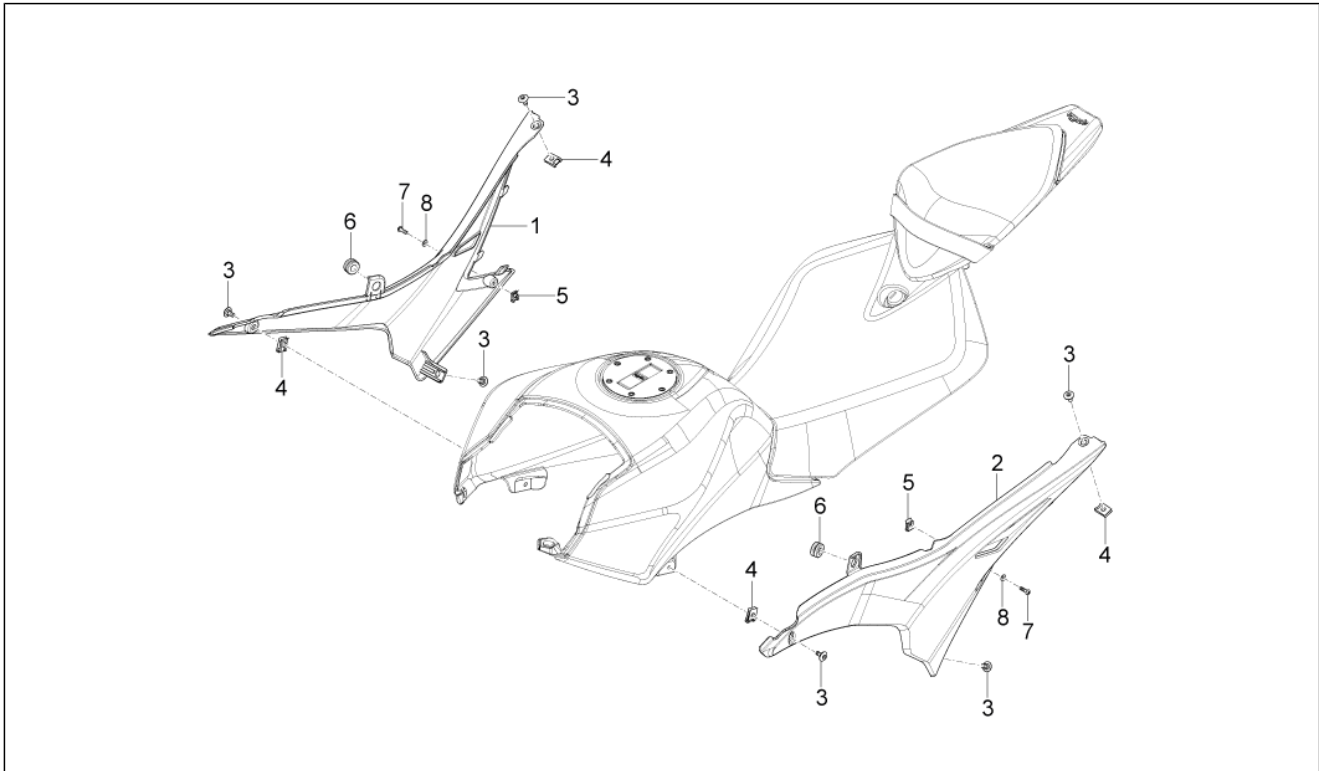
Pos.	Code	Description	Qty	Variants
1	B0434680000XE4	RH lat.fairing, grey	1	Vehicle colour:Replica MY14[RP]
2	B0434670000XE4	LH lat.fairing, grey	1	Vehicle colour:Replica MY14[RP]
3	858828	RH internal fairing	1	
4	858829	LH internal fairing	1	
5	899214	Right engine closing	1	
6	899215	Left engine closing	1	
7	893979	RH puller	1	
8	893980	LH puller	1	
9	AP8120622	Front dust cover ring	4	
10	AP8144563	Rivet, male	6	
11	AP8152339	Screw w/ flange M5x9	6	
12	AP8102375	Clip m5	4	
13	AP8102504	Rubber spacer	5	
14	AP8150450	Washer for shafts D5	5	
15	AP8144616	Rivet, female	6	

<b>Group</b>	Body
<b>Code</b>	02.090
<b>Description</b>	Tank cover
<b>Service</b>	1



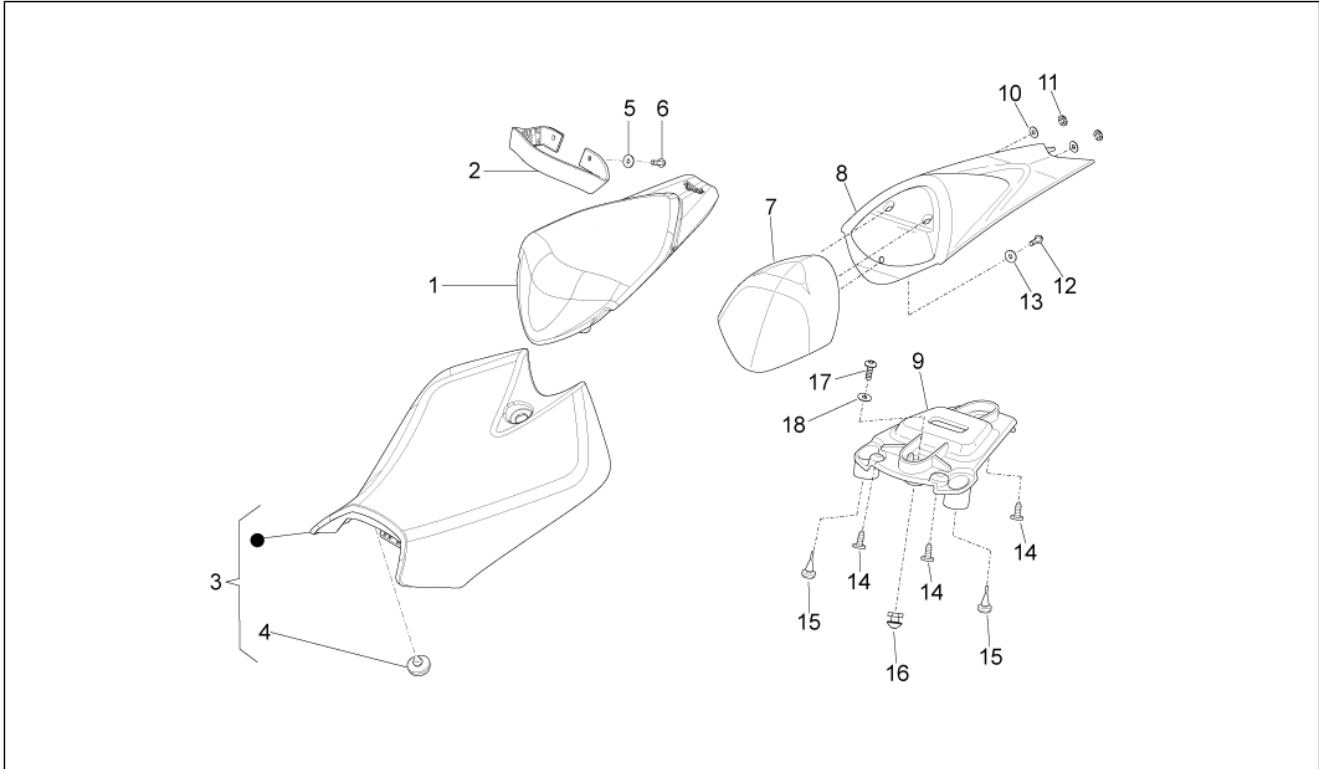
Pos.	Code	Description	Qty	Variants
1	B0434760000XN1	Fuel tank cover, black	1	Vehicle colour:Replica MY14[RP]
2	AP8150285	Hex socket screw M6x35	1	
3	AP8150536	Special washer	1	
4	AP8121032	Bush	1	
5	898715	T bush	2	
6	AP8144713	Rubber spacer	1	
7	AP8102375	Clip m5	2	
8	89769600XN1	Fuel tank cover, black	1	Vehicle colour:Replica MY14[RP]
9	AP8152300	Self-locking nut M8	2	
10	AP8121716	T bush	2	
11	AP8120947	Rubber exhaust	2	
12	AP8121804	Spacer *	2	
13	AP8152290	Screw w/ flange M8x40	2	
14	AP8152339	Screw w/ flange M5x9	4	
15	254485	Spring plate M6	1	
16	AP8234153	U-bolt	1	
17	AP8152281	Screw w/ flange M6x30	2	
18	AP8152299	Self-locking nut M6	2	

<b>Group</b>	Body
<b>Code</b>	02.100
<b>Description</b>	Central body
<b>Service</b>	1



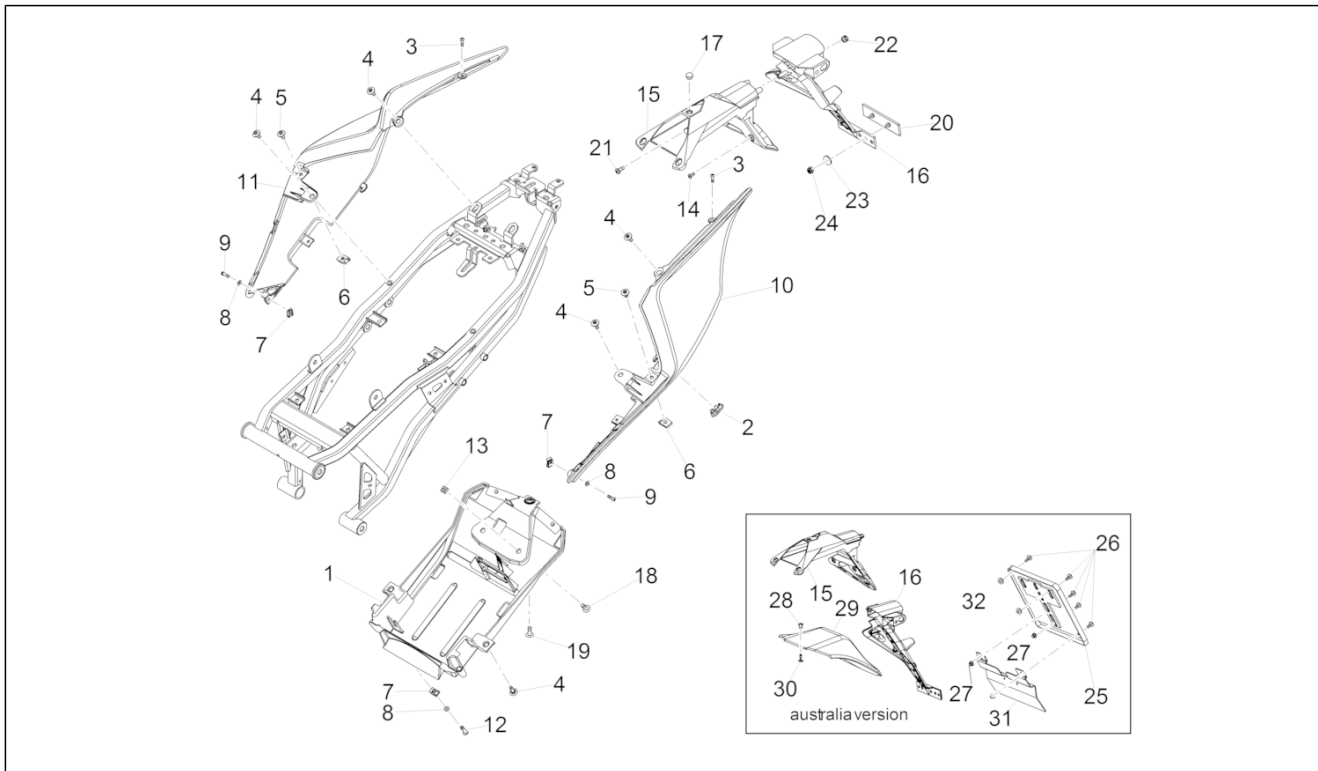
Pos.	Code	Description	Qty	Variants
1	897691	RH side panel	1	
2	897692	LH side panel	1	
3	AP8152339	Screw w/ flange M5x9	6	
4	AP8102375	Clip m5	4	
5	AP8102381	Clip M4	2	
6	AP8120030	Rubber spacer	2	
7	AP8121184	Screw M4x14	2	
8	AP8150158	Washer 4,3X9X0,8	2	

<b>Group</b>	Body
<b>Code</b>	02.120
<b>Description</b>	Saddle
<b>Service</b>	1



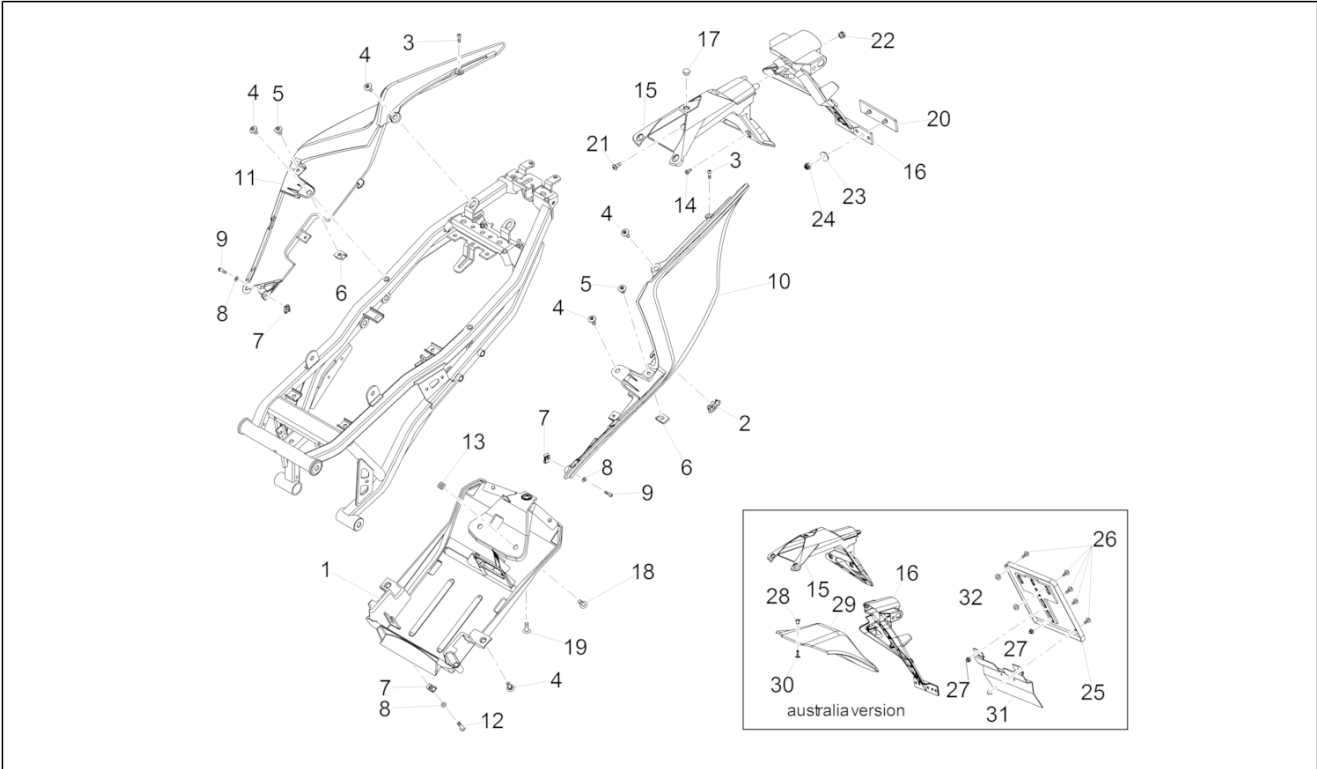
Pos.	Code	Description	Qty	Variants
1	89382400A1	Rear saddle	1	
2	85884400A1	Belt	1	
3	89912000C1	Driver saddle	1	Vehicle colour:Replica MY14[RP]
4	AP8220349	Rubber spacer	6	
5	AP8150378	Washer 6,4x18x2	2	
6	AP8152279	Screw w/ flange M6x20	2	
7	B043934	Cushion	1	Vehicle colour:Replica MY14[RP]
8	8588370000XN1	Saddle cover, black	1	Vehicle colour:Replica MY14[RP]
9	858838	Saddle cover base	1	Vehicle colour:Replica MY14[RP]
10	AP8102504	Rubber spacer	2	Vehicle colour:Replica MY14[RP]
11	AP8150450	Washer for shafts D5	2	Vehicle colour:Replica MY14[RP]
12	AP8150421	Self-tap screw 2,9x12	1	Vehicle colour:Replica MY14[RP]
13	AP8144565	Nylon washer	1	Vehicle colour:Replica MY14[RP]
14	AP8150413	Self-tap screw 3,9x14	3	Vehicle colour:Replica MY14[RP]
15	AP8220238	Rubber spacer	2	Vehicle colour:Replica MY14[RP]
16	893259	Pin	1	Vehicle colour:Replica MY14[RP]
17	AP8152043	Hex socket screw M4x10	1	Vehicle colour:Replica MY14[RP]
18	AP8150158	Washer 4,3X9X0,8	1	Vehicle colour:Replica MY14[RP]

<b>Group</b>	Body
<b>Code</b>	02.140
<b>Description</b>	Rear body
<b>Service</b>	1



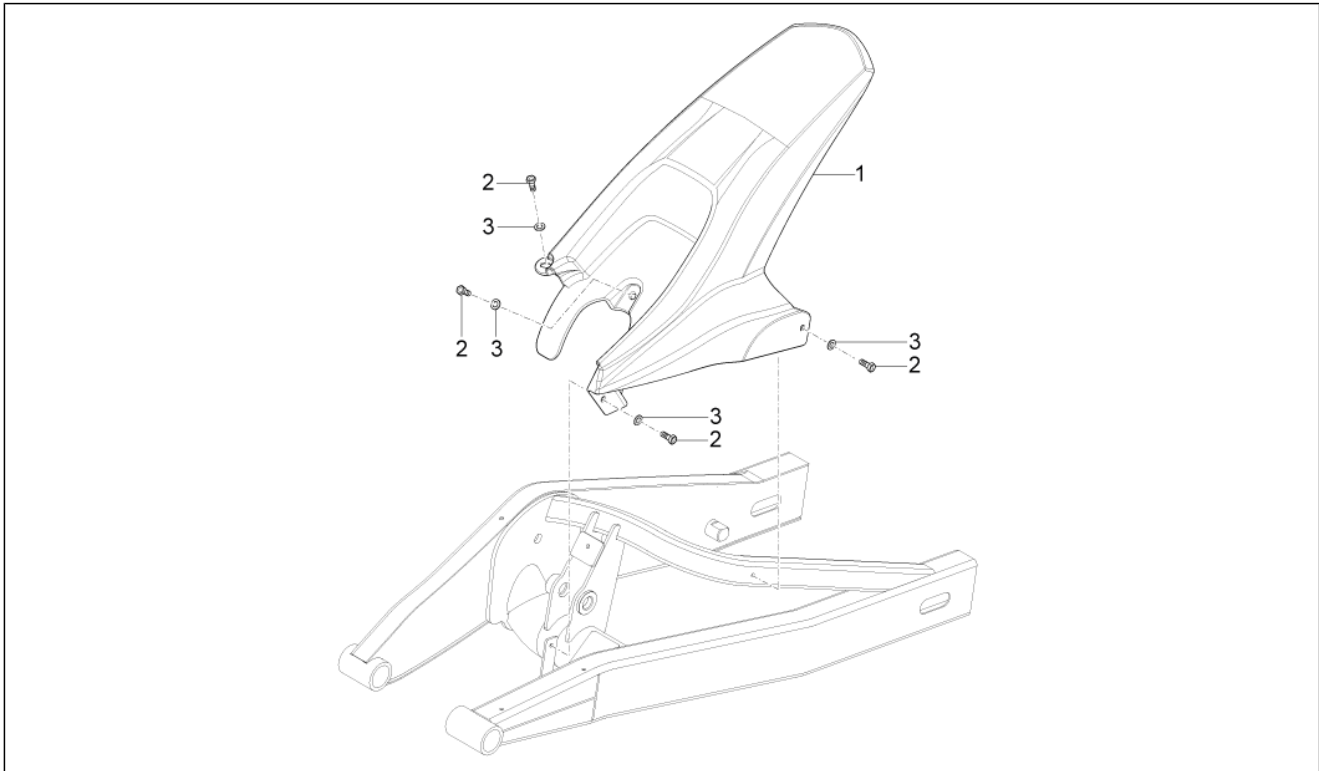
Pos.	Code	Description	Qty	Variants
1	897614	Undersaddle	1	
2	899108	Plug	1	
3	AP8121184	Screw M4x14	2	
4	AP8152302	Screw w/ flange M5x12	6	
5	AP8152339	Screw w/ flange M5x9	2	
6	AP8102375	Clip m5	2	
7	AP8102381	Clip M4	2	
8	AP8150158	Washer 4,3X9X0,8	4	
9	AP8150500	Hex socket screw M5x9	2	
10	B04347800XNG	LH rear fairing, black	1	Vehicle colour:Replica MY14[RP] Technical specification:Without Decal[ND]
11	B04347700XNG	RH rear fairing, black	1	Vehicle colour:Replica MY14[RP] Technical specification:Without Decal[ND]
12	AP8152329	Phillips screw, SWP M5x20	2	
13	AP8221213	Captive nut M6	2	
14	AP8150444	Self-tapping screw	4	
15	858840	Upper Number plate holder	1	
16	858842	Lower Number plate holder	1	
17	894657	Cover	1	
18	AP8150509	Self-tap screw 5x14	2	
19	AP8152246	Screw w/ flange M6x16	1	
20	AP8112916	Rear reflector	1	
21	AP8152267	Hex socket screw M5x12	1	
22	AP8112600	Rubber spacer	1	
23	AP8150158	Washer 4,3X9X0,8	2	
24	AP8150204	Nut M4	2	
25	895914	Number plate holder	1	
26	AP8152298	Screw w/ flange M5x16	5	

<b>Group</b>	Body
<b>Code</b>	02.140
<b>Description</b>	Rear body
<b>Service</b>	1



Pos.	Code	Description	Qty	Variants
27	AP8152306	Self-locking nut m5	5	
28	AP8144616	Rivet, female	1	
29	895487	Upper Rear mudguard	1	
30	AP8144563	Rivet, male	1	
31	895488	Lower Rear mudguard	1	
32	AP8150382	Washer 15x5,5X1,2	2	

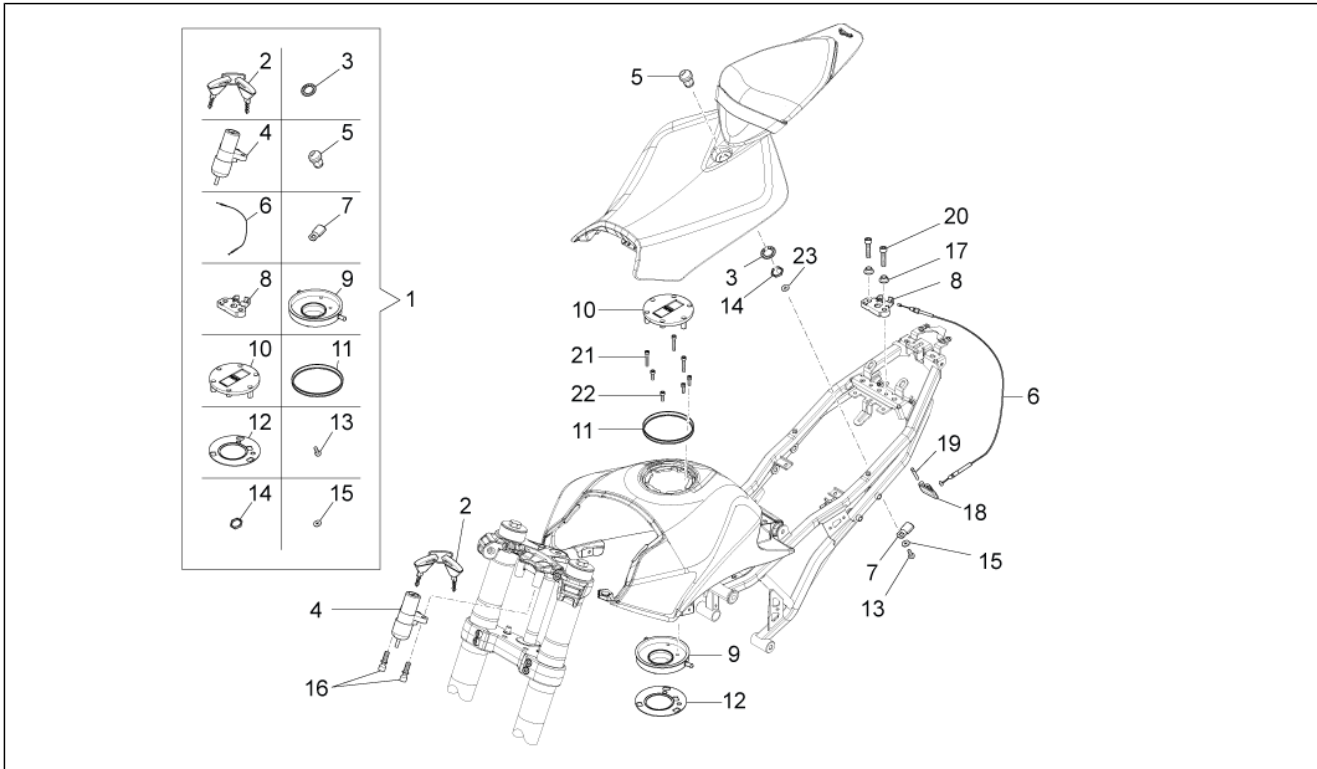
<b>Group</b>	Body
<b>Code</b>	02.150
<b>Description</b>	Rear mudguard
<b>Service</b>	1



Pos.	Code	Description	Qty	Variants
1	B043209	Rear mudguard	1	
2	00011141300	screw 4,8X13	4	
3	AP8150248	Washer 5,5x15x1,6	4	

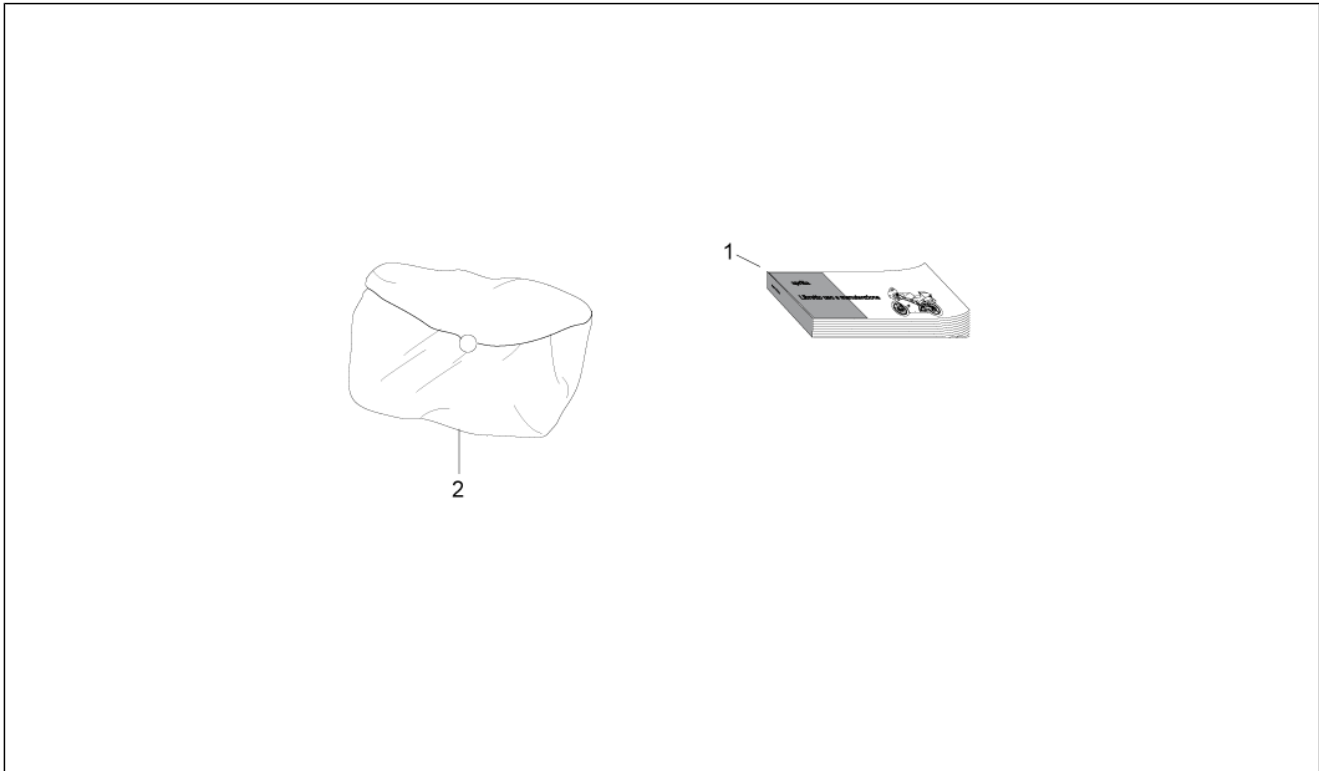


<b>Group</b>	Body
<b>Code</b>	02.170
<b>Description</b>	Locks
<b>Service</b>	1



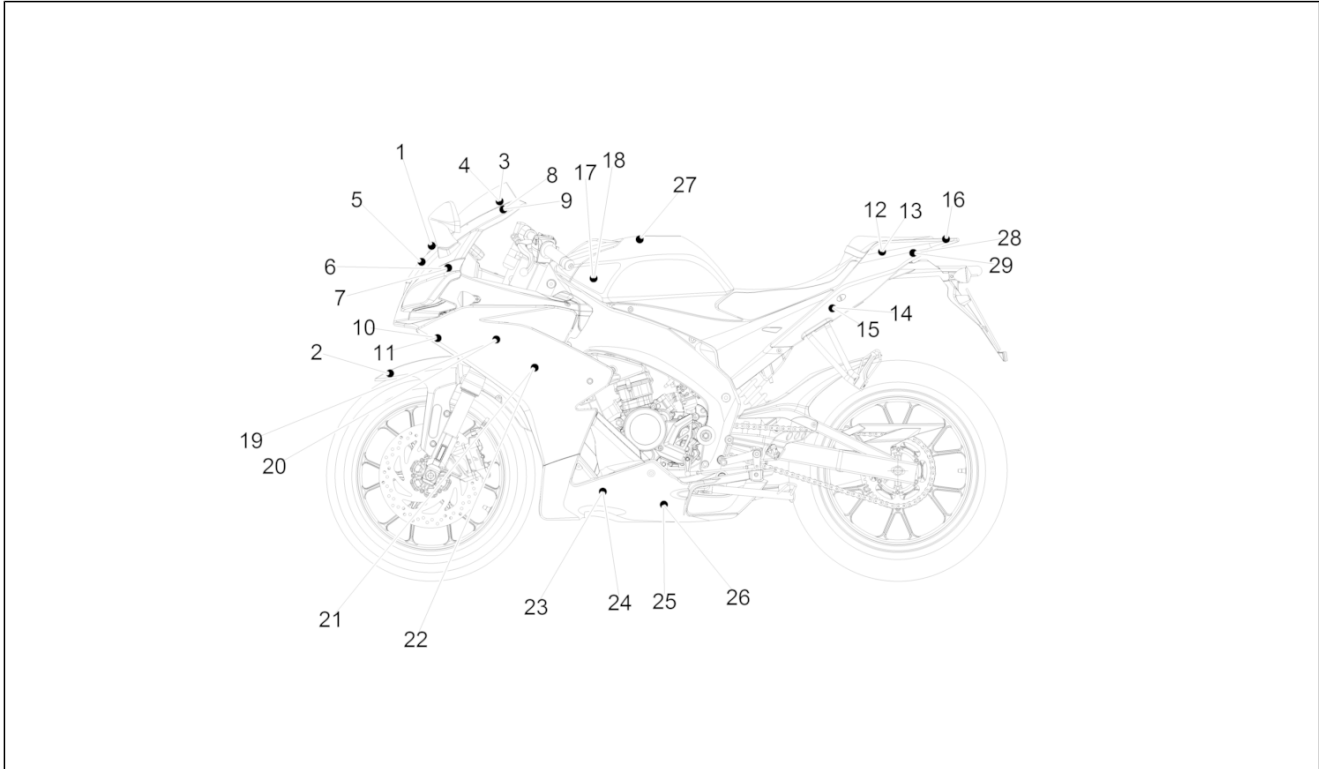
Pos.	Code	Description	Qty	Variants
1	85129R	Lock kit	1	
2	AP8140710	"Aprilia" key w/out transpo.	1	
3	AP8201305	Nickel plated lock washer *	1	
4	899542	Main switch	1	
5	899104	Block	1	
6	898900	Saddle release cable	1	
7	AP8201620	Lever	1	
8	899543	Lock attachment plate	1	
9	899107	Fuel chamber	1	
10	896487	Fuel filler cap	1	
11	899105	Fuel filler cap gasket	1	
12	899106	Gasket	1	
13	AP8201749	Screw M4x6	1	
14	AP8152194	Low nut M19x1*	1	
15	AP8201748	Washer	1	
16	AP8152229	Shear rivet M8x20	2	
17	AP8221129	Bush	2	
18	AP8161175	Lever	1	
19	AP8161204	Pin	1	
20	AP8150220	Hex socket screw M6x30	2	
21	AP8150453	Hex socket screw M5x30	3	
22	AP8150454	Hex socket screw M5x16	4	
23	00H00601931	Washer	1	

<b>Group</b>	Body
<b>Code</b>	02.180
<b>Description</b>	Plate set / Various
<b>Service</b>	1



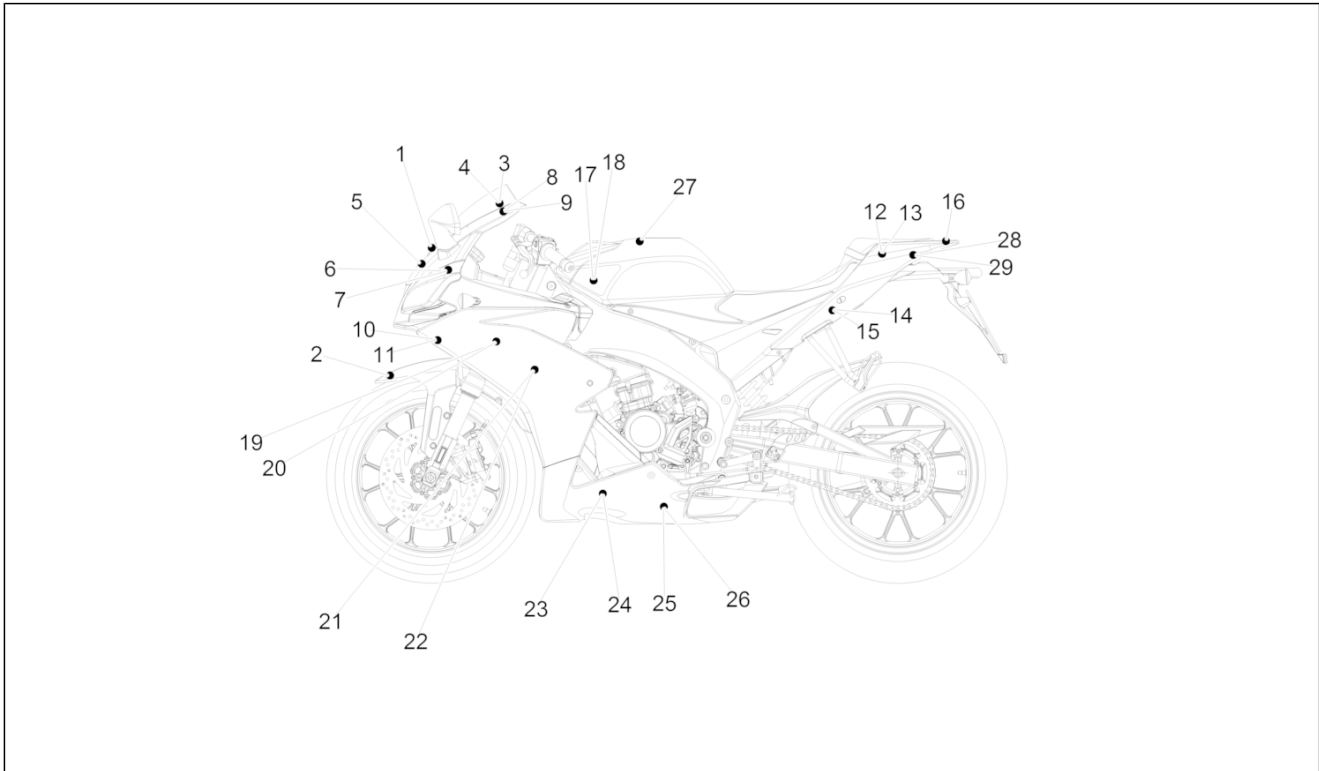
Pos.	Code	Description	Qty	Variants
1	B045501	[...]	1	Year:
2	863540	Toolkit	1	

<b>Group</b>	Body
<b>Code</b>	02.190
<b>Description</b>	Decal
<b>Service</b>	1



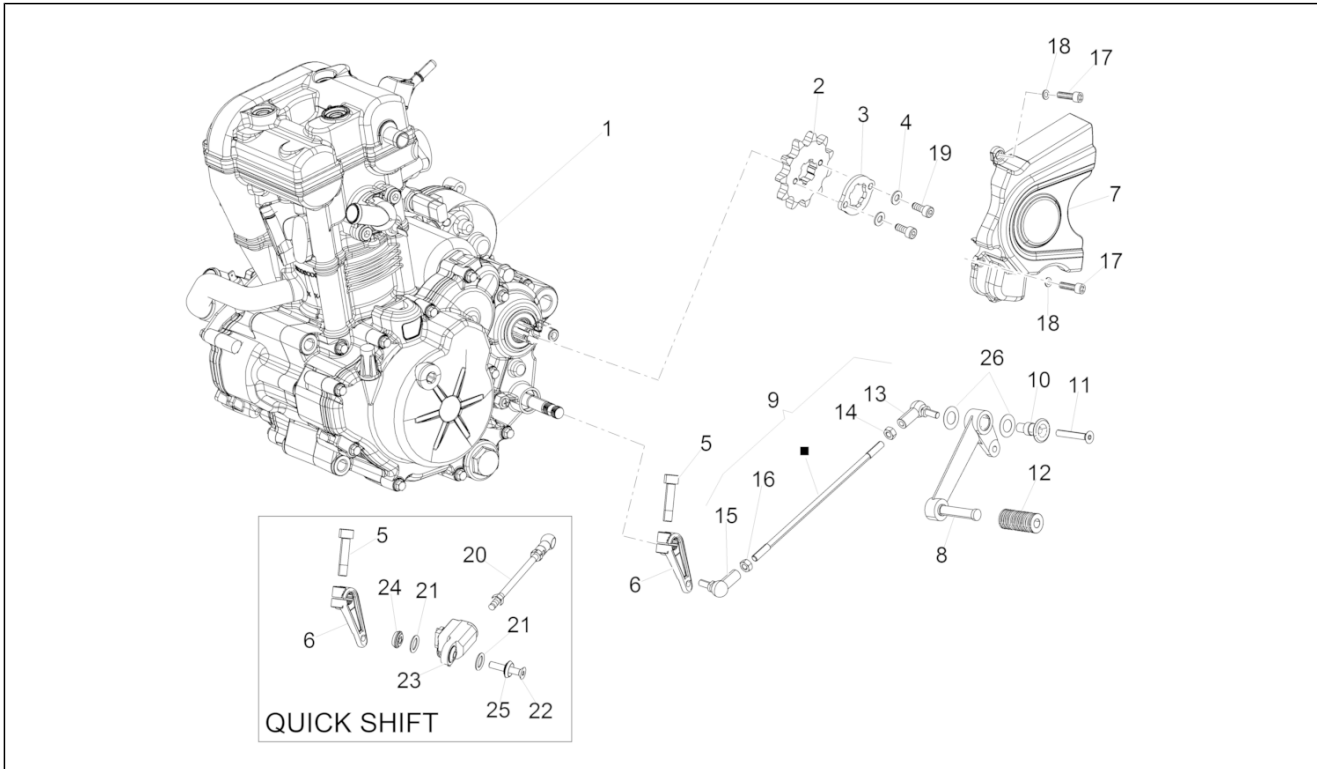
Pos.	Code	Description	Qty	Variants
1	2H000526	Numberplate	1	
2	899867	Front mudguard decal "aprilia racing"	1	
3	2H000524	RH decal "MARCO"	1	
4	2H000525	Sticker LH "MARCO"	1	
5	2H000527	decal numbers	1	
6	893763	RH Front fairing decal	1	
7	893764	LH Front fairing decal	1	
8	2H000529	Transfer centre black	1	
9	2H000528	Transfer centre black	1	
10	2H000534	Right lateral side right band decal	1	
11	2H000535	Left lateral panel left band decal	1	
12	2H000544	Right tail fairing number plate decal	1	
13	2H000545	Left tail fairing number plate decal	1	
14	2H000546	RH rear fairing dec.	1	
15	2H000547	LH rear fairing dec.	1	
16	2H000550	Saddle cover decal "Italia"	1	
17	2H000532	RH Fuel tank decal	1	
18	2H000533	LH Fuel tank decal	1	
19	2H000536	RH fairing decal "RS4"	1	
20	2H000537	LH fairing decal "RS4"	1	
21	2H000538	RH fairing decal "be a racer"	1	
22	2H000539	LH fairing decal "be a racer"	1	
23	2H000543	LH Lowerr fairing decal "APRILIA"	1	
24	2H000542	RH lower fairing decal "aprilia"	1	
25	2H000540	RH lower fairing decal	1	
26	2H000541	LH Lowerr fairing decal	1	
27	2H000481	Decal 52 WORLD CHAMPIONSHIPS	1	
28	2H000549	LH rear fairing decal	1	

<b>Group</b>	Body
<b>Code</b>	02.190
<b>Description</b>	Decal
<b>Service</b>	1



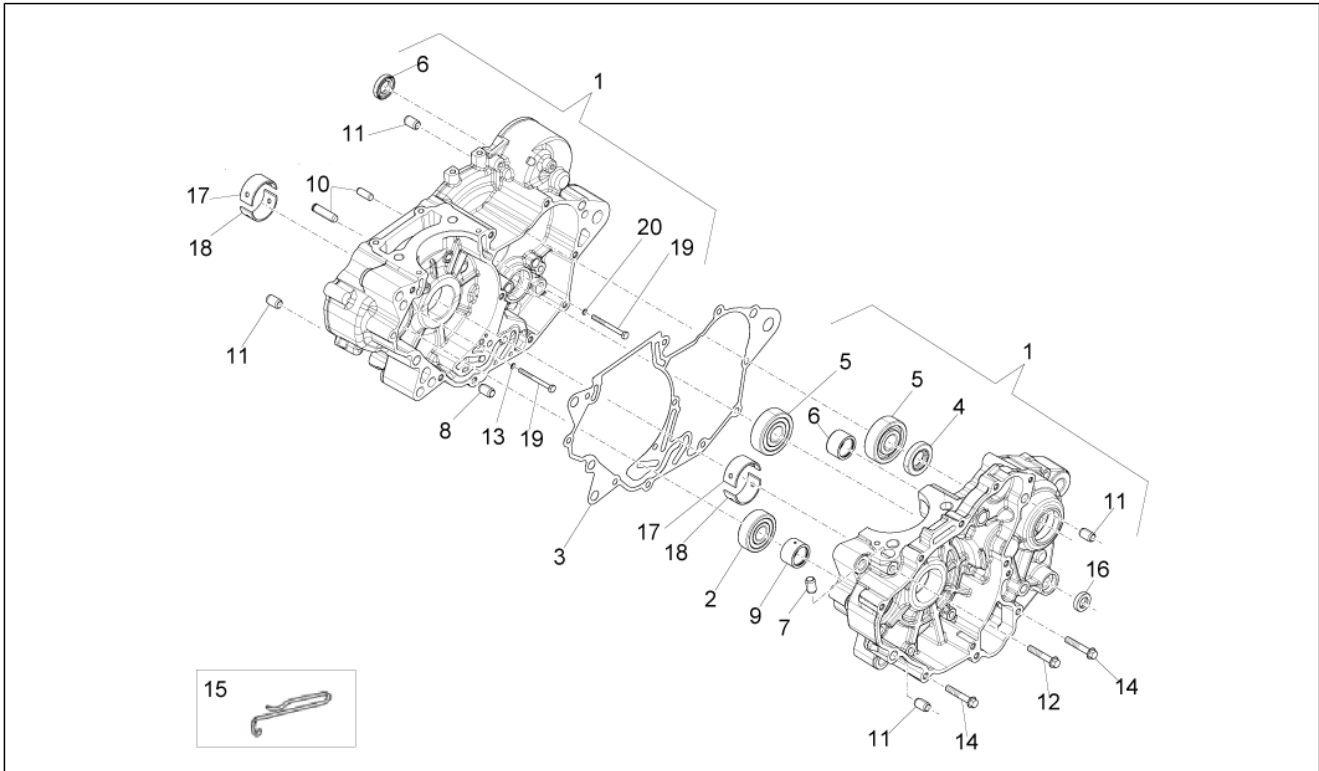
Pos.	Code	Description	Qty	Variants
29	2H000548	RH rear fairing decal	1	

<b>Group</b>	Engine
<b>Code</b>	03.010
<b>Description</b>	Engine-Completing part-Lever
<b>Service</b>	1



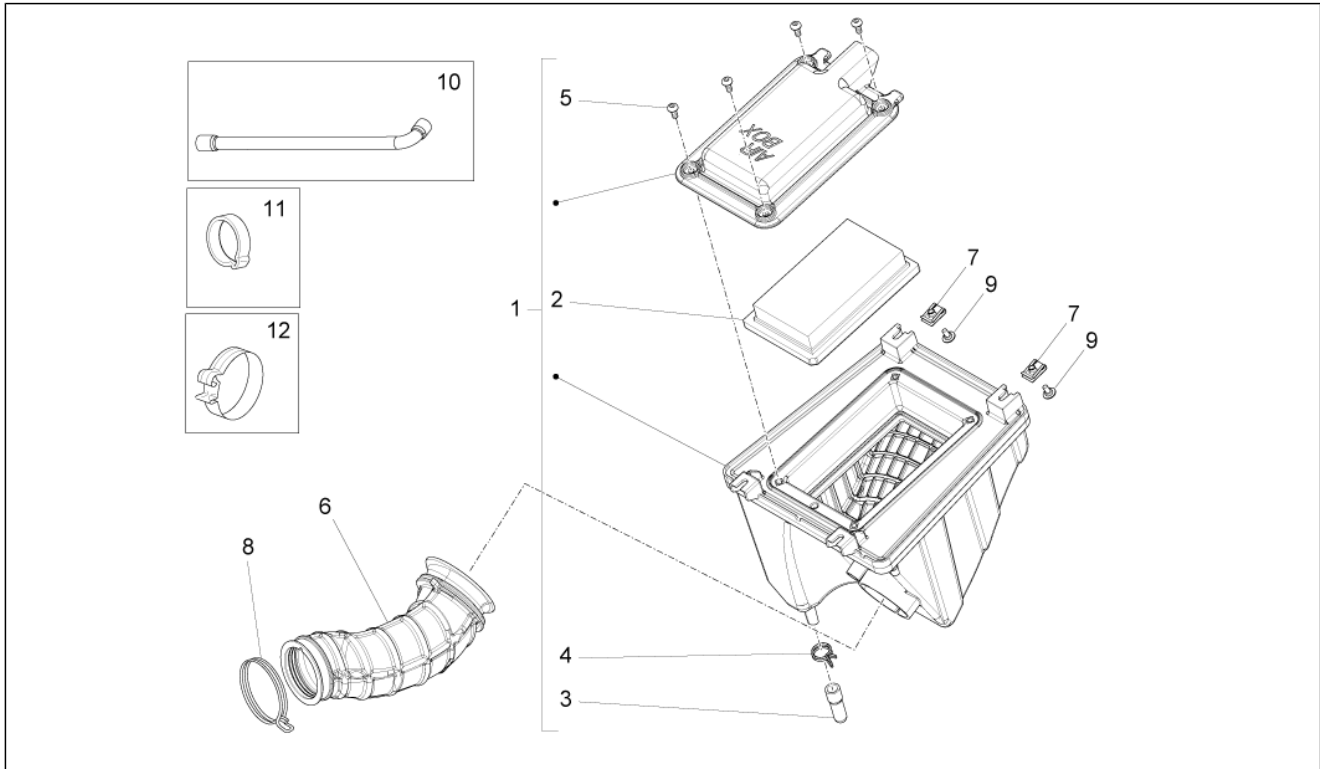
Pos.	Code	Description	Qty	Variants
1	CM2273025	125 4T/4V ie engine	1	
2	B044264	Pinion Z=13	1	
3	00H02810421	Plate	1	
4	AP8150284	Ext. notched washer	2	
5	AP8150137	Hex socket screw	1	
6	B043826	Gearshift lever	1	
7	898059	Sprocket cover	1	
8	AP8235011	Gear lever	1	
9	865650	Gearbox linkage rod assy	1	
10	866514	Bush	1	
11	AP8150468	Screw M6x40	1	
12	AP8220189	Rubber spacer	1	
13	AP8110053	Left ball joint M6	1	
14	AP8152138	Nut	1	
15	AP8210007	RH ball joint M6	1	
16	AP8150026	Nut M6	1	
17	00H01600911	Pin	2	
18	AP8152273	Screw w/ flange M5X15	2	
19	00000004510	screw	2	
20	B044008	Gearbox linkage rod	1	
21	AP8220177	O-ring 115	3	
22	898463	Screw M6x35	1	
23	B043834	Quick shift device	1	
24	898133	Bush	1	
25	898134	Bush	1	
26	AP8121697	Belleville spring	2	

<b>Group</b>	Engine
<b>Code</b>	03.030
<b>Description</b>	Crankcases I
<b>Service</b>	1



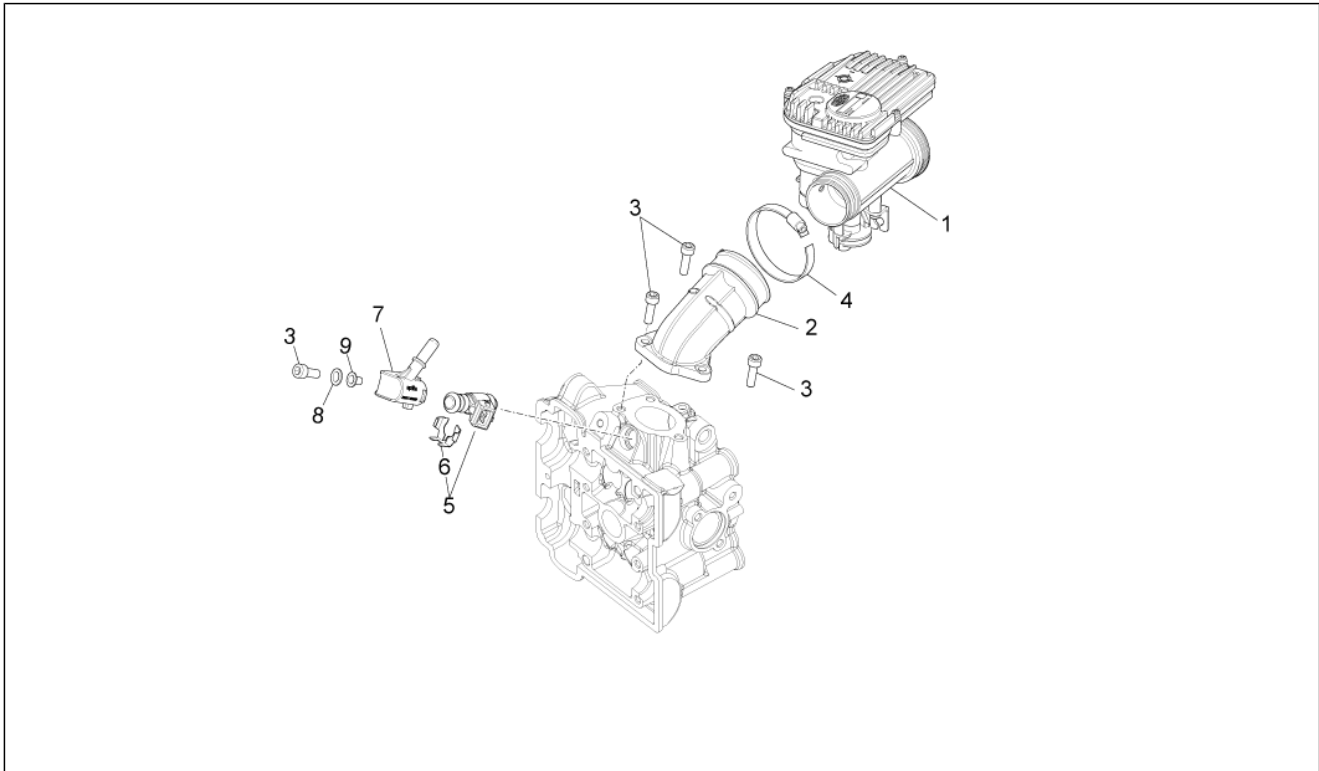
Pos.	Code	Description	Qty	Variants
1	8993115001	Complete crankcase 1st cat.	1	
1	8993115002	2nd cat. complete crankcase	1	
2	485912	Radial ball bearing 15x42x13	4	
3	873086	Gasket	1	
4	847019	Oil seal	4	
5	82668R	Bearing	4	
6	182015	Cage à rouleaux	4	
7	AP3FCN000247	Bush	1	
8	484993	Locating dowel	1	
9	177442	Cage à rouleaux	4	
10	847076	Shaft pin	4	
11	239388	Pin 6,5x9,5x15	4	
12	828922	Screw w/ flange M6x75	4	
13	224664	Washer 5,2X15X1,5	4	
14	432142	screw M6x60	4	
15	873735	Hose clamp	4	
16	847075	Oil seal 12x20	4	
17	8580170001	Cat.a blue bushing half-shells	4	
17	8580170002	Cat.b red bushing half-shells	4	
18	8580180001	Cat.a red bushing half-shells	4	
18	8580180002	Cat.b blue bushing half-shells	4	
19	031057	screw M5x14	4	
20	224664	Washer 5,2X15X1,5	5	

<b>Group</b>	Engine
<b>Code</b>	03.050
<b>Description</b>	Air box
<b>Service</b>	1



Pos.	Code	Description	Qty	Variants
1	898054	Air box cpl.	1	
2	861130	Air filter	1	
3	862403	pipe	1	
4	862404	Hose clamp	1	
5	896174	Hex socket screw M5x12	4	
6	898056	Intake manifold	1	
7	AP8102375	Clip m5	4	
8	AP8102401	Hose clamp D50-70x8*	1	
9	AP8152272	Screw w/ flange M5x12	4	
10	863320	pipe	1	
11	AP8102786	Hose clip 20x8	1	
12	CM001905	Hose clamp	2	

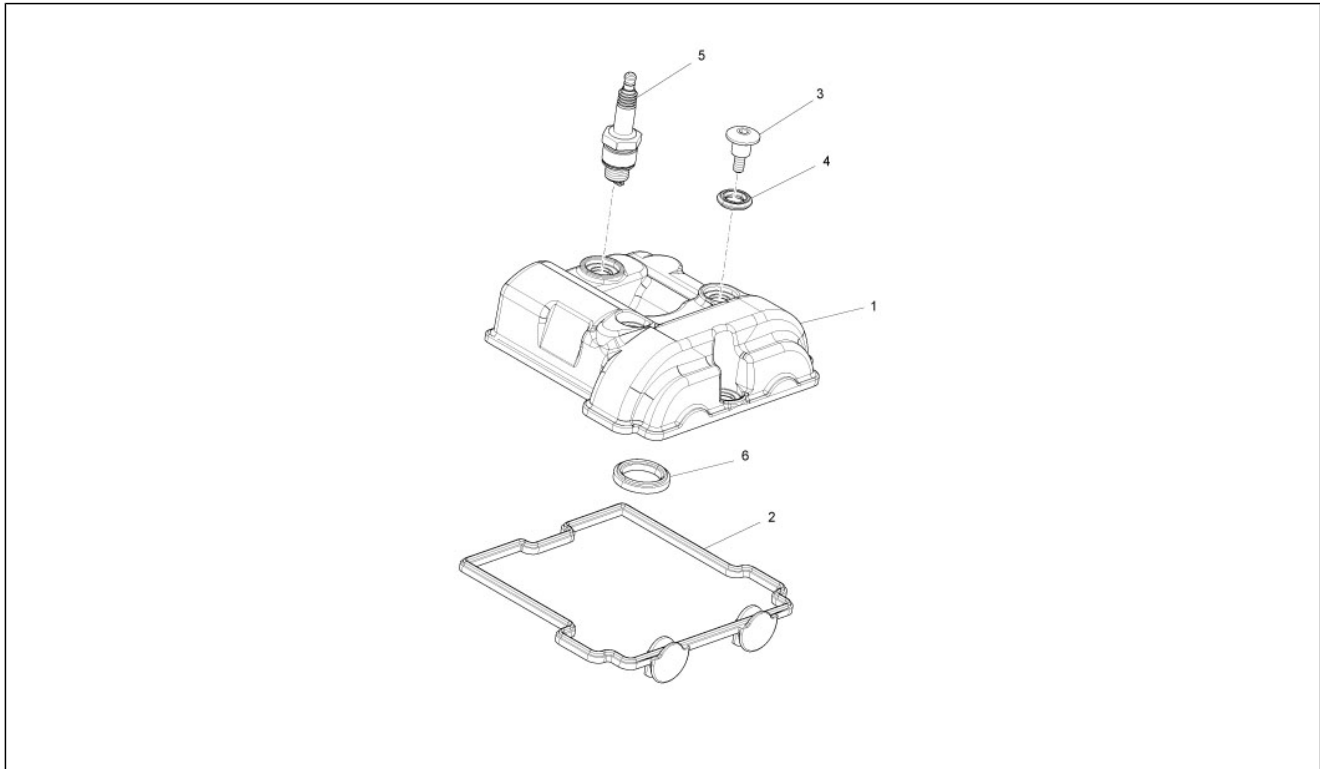
<b>Group</b>	Engine
<b>Code</b>	03.060
<b>Description</b>	Throttle body
<b>Service</b>	1



Pos.	Code	Description	Qty	Variants
1	CM227201	Throttle body	1	
2	897800	Throttle body hose	1	
3	AP8150521	Hex socket screw	4	
4	JC13102X05300	Hose clamp	2	
5	890225	Injector kit complete IWP198	1	
6	849898	Spring	1	
7	897801	fuel rail assembly	1	
8	003056	Flat washer 6,4x12x1	1	
9	932108	Cap	1	

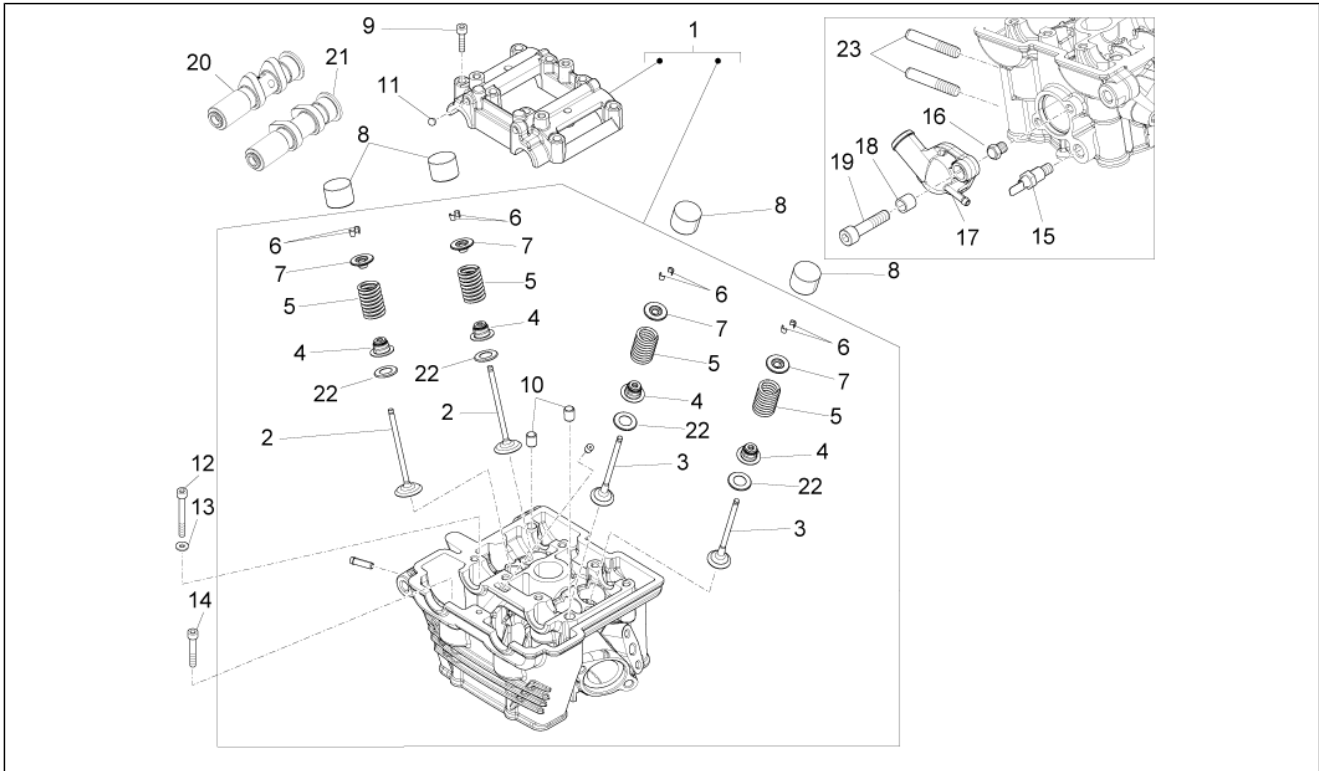


<b>Group</b>	Engine
<b>Code</b>	03.090
<b>Description</b>	Head cover
<b>Service</b>	1



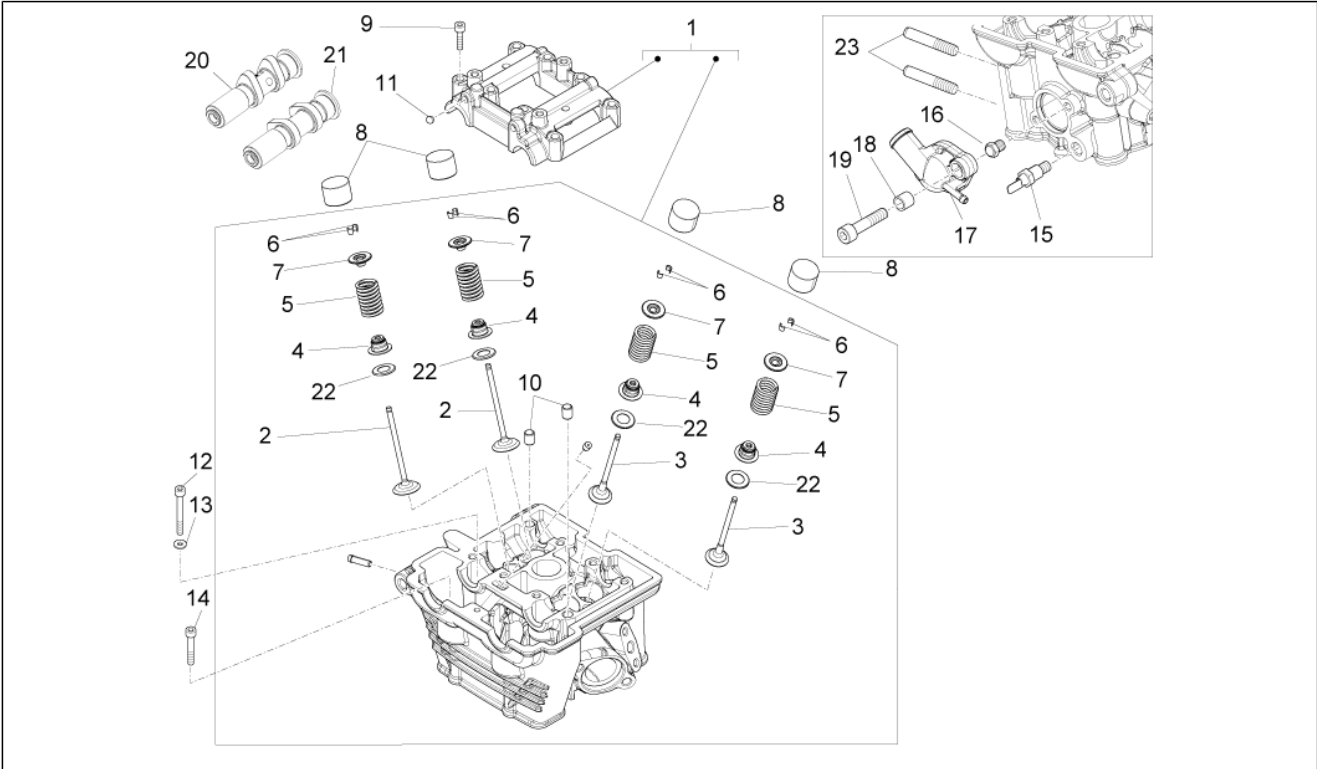
Pos.	Code	Description	Qty	Variants
1	871705	Head cover	1	
2	873651	Gasket	1	
3	AP3ATN000118	Special screw	4	
4	AP3CAA000399	Elastic drift	4	
5	82573R	Spark plug	1	
6	874617	Gasket	1	

<b>Group</b>	Engine
<b>Code</b>	03.100
<b>Description</b>	Cylinder head - valves
<b>Service</b>	1



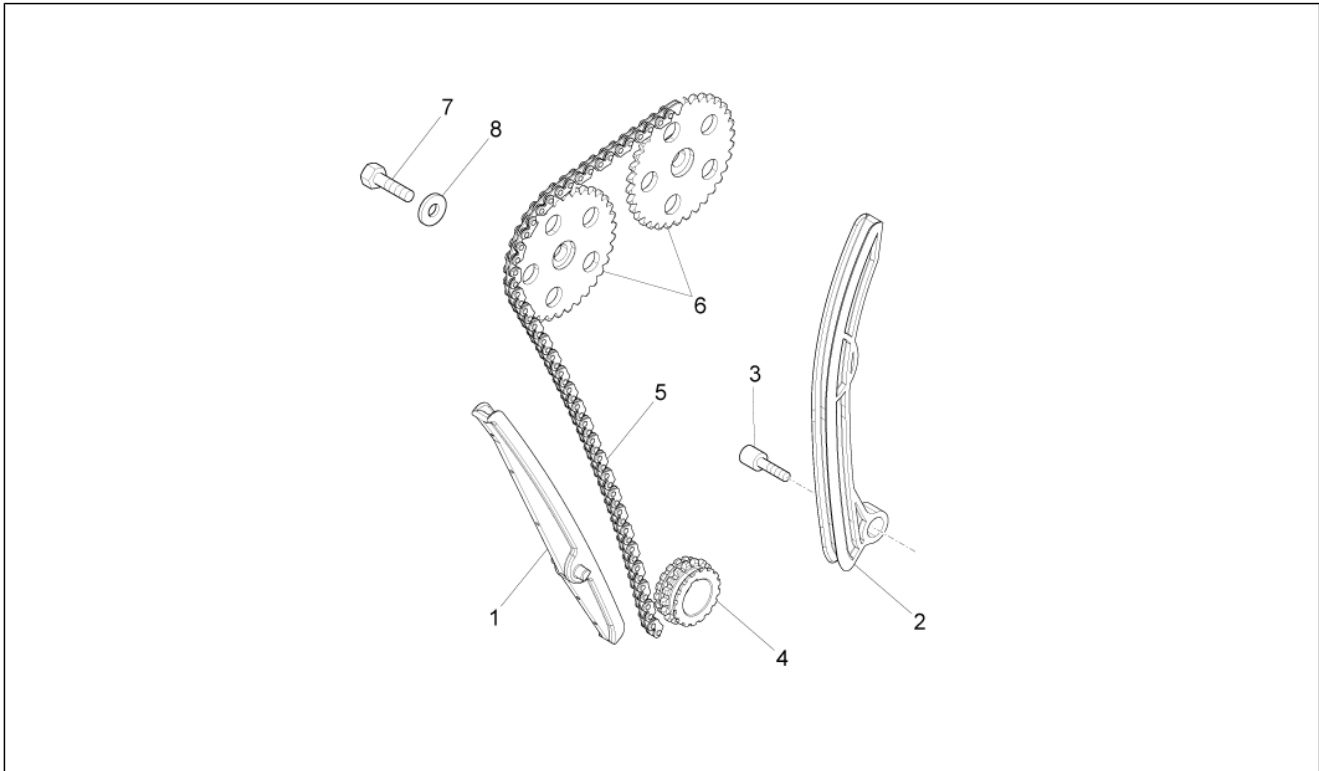
Pos.	Code	Description	Qty	Variants
1	898491	Cylinder head assy.	1	
2	AP3CLA000636	Intake valve	2	
3	AP3CLA000637	Exhaust valve	2	
4	AP2CAA000521	Valve guide seal fitting jig	4	
5	AP3CHA000237	Spring	4	
6	AP3CIA000238	Half-cone	8	
7	AP3CGA000635	Upper cup	4	
8	CM158201	Valve lifter bucket 2,2	4	
8	CM158202	Valve lifter bucket 2,25	4	
8	CM158203	Valve lifter bucket 2,3	4	
8	CM158204	Valve lifter bucket 2,35	4	
8	CM158205	Valve lifter bucket 2,4	4	
8	CM158206	Valve lifter bucket 2,45	4	
8	CM158207	Valve lifter bucket 2,5	4	
8	CM158208	Valve lifter bucket 2,55	4	
8	CM158209	Valve lifter bucket 2,6	4	
8	CM158210	Valve lifter bucket 2,65	4	
8	CM158211	Valve lifter bucket 2,7	4	
8	CM158212	Valve lifter bucket 2,75	4	
8	CM222701	Valve lifter bucket 2,2	4	
8	CM222702	Valve lifter bucket 2,25	4	
8	CM222703	Valve lifter bucket 2,3	4	
8	CM222703	Valve lifter bucket 2,3	4	
8	CM222704	Valve lifter bucket 2,35	4	
8	CM222705	Valve lifter bucket 2,4	4	
8	CM222706	Valve lifter bucket 2,45	4	
8	CM222707	Valve lifter bucket 2,5	4	
8	CM222708	Valve lifter bucket 2,55	4	

<b>Group</b>	Engine
<b>Code</b>	03.100
<b>Description</b>	Cylinder head - valves
<b>Service</b>	1



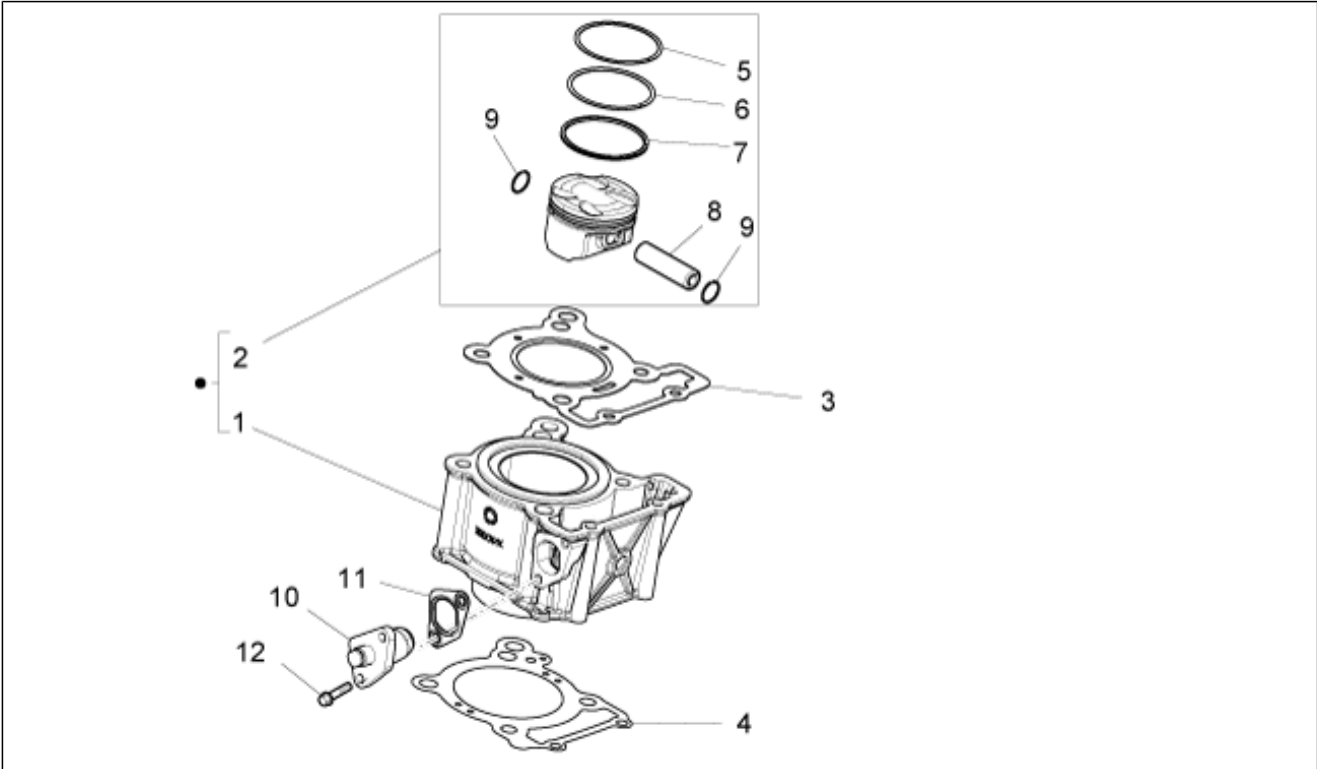
Pos.	Code	Description	Qty	Variants
8	CM222709	Valve lifter bucket 2,6	4	
8	CM222710	Valve lifter bucket 2,65	4	
8	CM222711	Valve lifter bucket 2,7	4	
8	CM222712	Valve lifter bucket 2,75	4	
9	AP4ADN000248	screw M6x40	4	
10	AP3FCN000127	Locating dowel 8X10	2	
11	AP3CAA000412	Ball	5	
12	AP3ADN000115	screw M8x166	4	
13	AP3EEN000234	Washer	4	
14	AP4ABN000117	screw M6x130	2	
15	640485	Temperature gauge	1	
16	AP2BAA000206	Thermostat	1	
17	898431	Thermostat cover	1	
18	AP3FCN000250	Spacer 6x8x6,8	2	
19	709674	Hex socket screw M6x20	2	
20	AP3CBA000675	Intake camshaft	1	
21	AP3CBA000677	Exhaust camshaft	1	
22	AP3CGA000244	Spacer washer	4	
23	873294	Stud bolt	2	

<b>Group</b>	Engine
<b>Code</b>	03.130
<b>Description</b>	Front cylinder timing system
<b>Service</b>	1



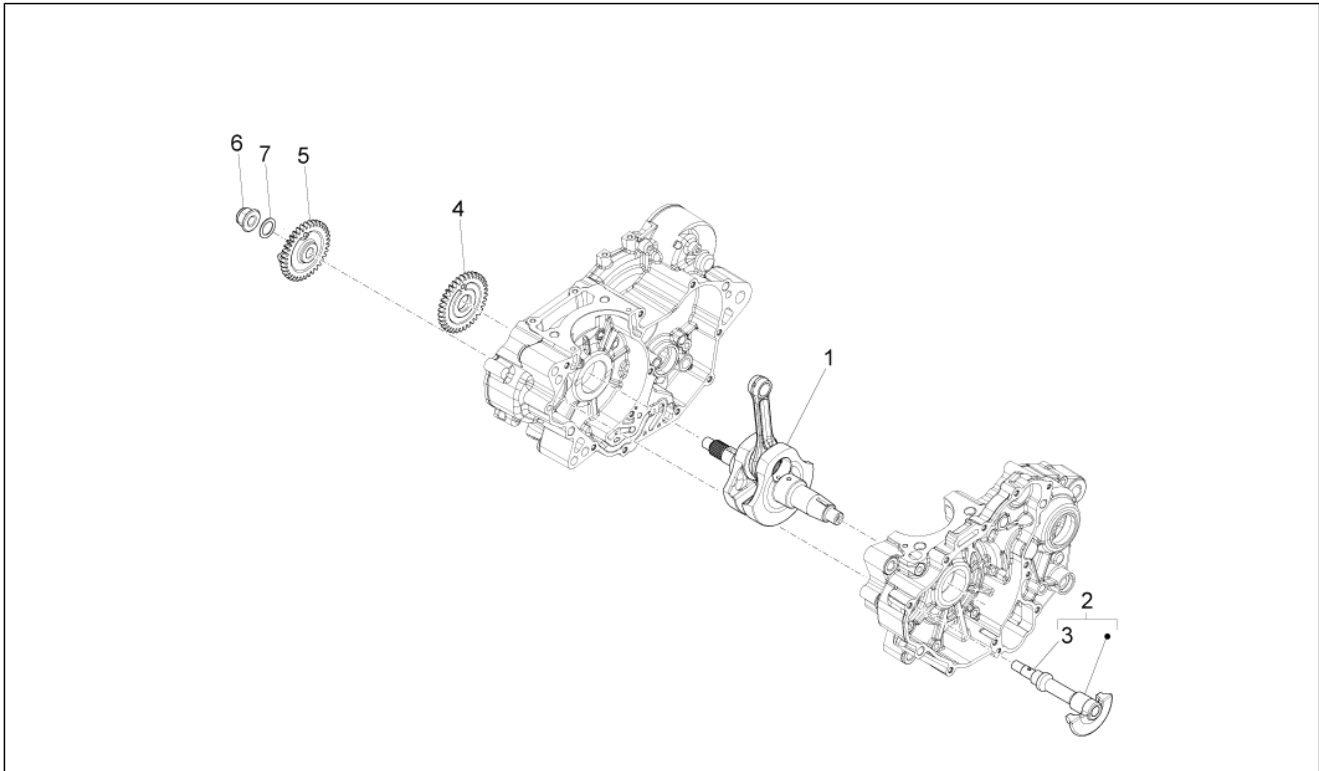
Pos.	Code	Description	Qty	Variants
1	AP3DDA000379	Chain guide plate	1	
2	AP3DDA000380	Chain tensioner sliding block	1	
3	434541	Screw w/ flange M6x16	2	
4	871445	Pinion	1	
5	AP2DCA000254	Camshaft chain	1	
6	AP3DBA000640	Timing gear	2	
7	AP4ABN000132	screw M8x40	2	
8	AP3DVN000235	Washer	2	

<b>Group</b>	Engine
<b>Code</b>	03.150
<b>Description</b>	Cylinder - Piston
<b>Service</b>	1



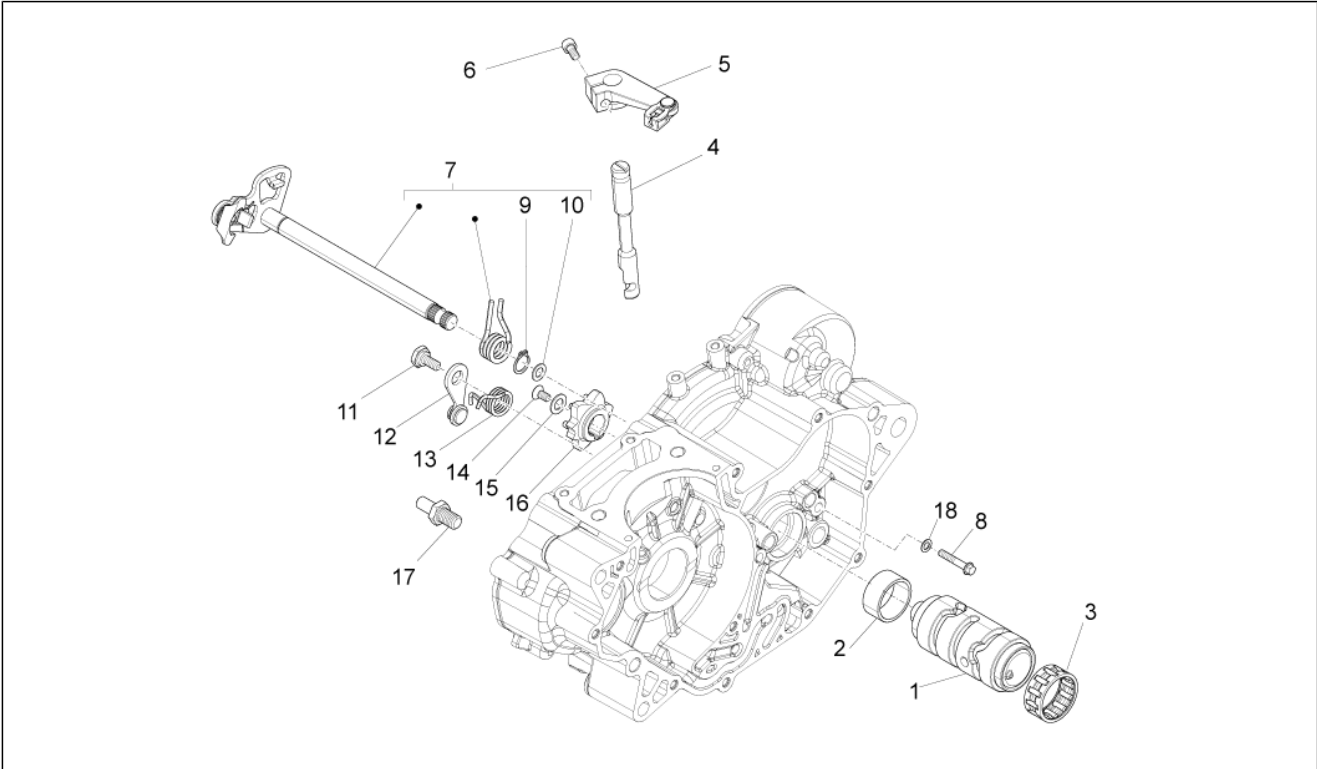
Pos.	Code	Description	Qty	Variants
1	871598	Cylinder, complete	1	
2	8993135001	Piston assy 1°select.M	1	
2	8993135002	Piston assy 2°select.N	1	
2	8993135003	Piston assy 3°select.O	1	
2	8993135004	Piston assy 4°select.P	1	
3	82893R	Cylinder head gasket	1	
4	CM157501	Gasket sp. 0,3	1	
4	CM157502	Gasket sp. 0,4	1	
4	CM157503	Gasket sp. 0,5	1	
5	872692	Ring	1	
6	872693	Ring	1	
7	872694	Oil scraper ring	1	
8	873173	Piston pin	1	
9	AP2DBN000133	Snap ring	2	
10	82650R	Complete chain tensioner	1	
11	847928	Gasket	1	
12	434541	Screw w/ flange M6x16	1	

<b>Group</b>	Engine
<b>Code</b>	03.160
<b>Description</b>	Drive shaft
<b>Service</b>	1



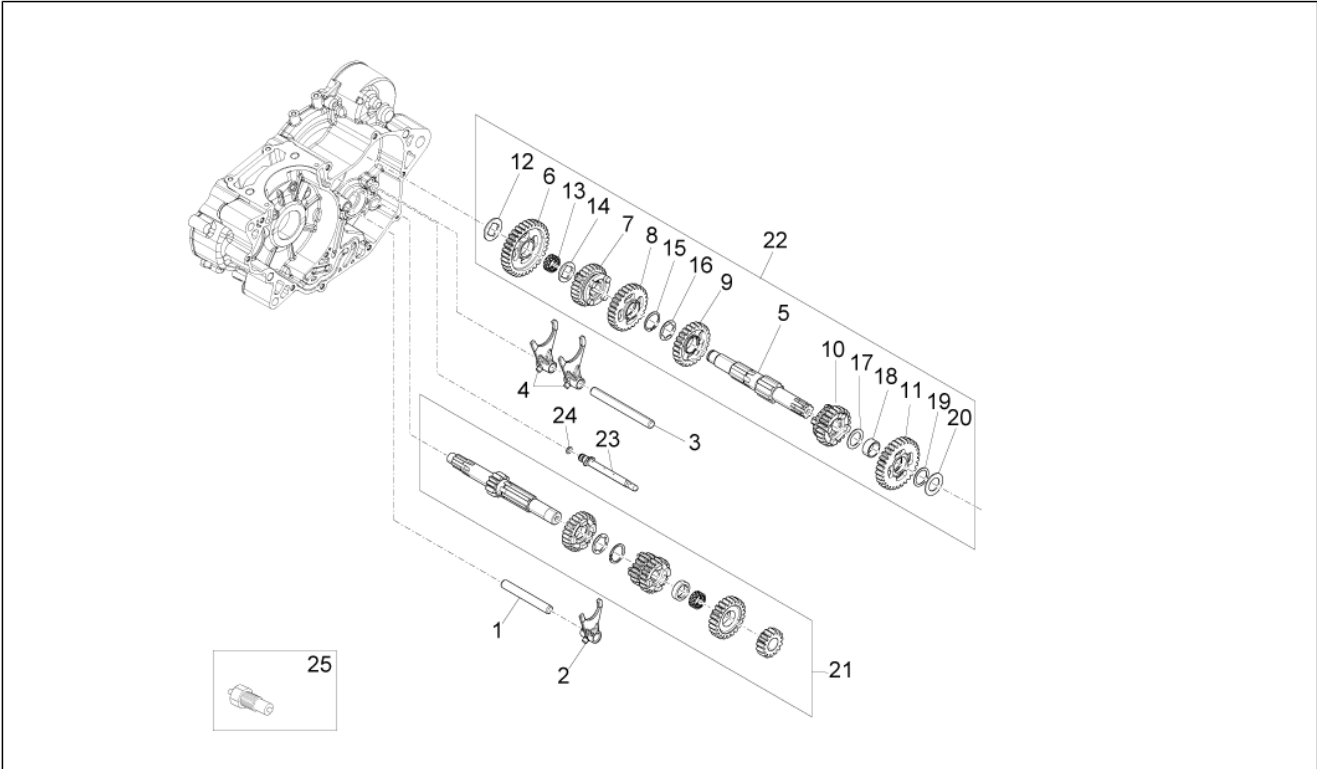
Pos.	Code	Description	Qty	Variants
1	8999175001	Crankshaft cpl.,cat.1	1	
1	8999175002	Crankshaft cpl.,cat.2	1	
2	871342	Balance shaft	1	
3	287959	Guide roller	1	
4	8714465001	Gear "S"	1	
4	8714465002	Gear "T"	1	
5	8711565001	Gear "S"	1	
5	8711565002	Gear "T"	1	
6	847275	Nut	1	
7	178790	Flat washer 22x10,3x2,5	1	

<b>Group</b>	Engine
<b>Code</b>	03.170
<b>Description</b>	Gear box / Selector / Shift cam
<b>Service</b>	1



Pos.	Code	Description	Qty	Variants
1	899151	Selector drum	1	
2	898627	Bearing	1	
3	898628	Cage à rouleaux	1	
4	847083	Clutch lever	1	
5	8043224	Clutch release shaft	1	
6	623920	screw torx	1	
7	8721654	Grip shift	1	
8	274369	Hex socket screw M6x12	1	
9	005970	Ring	1	
10	847228	Washer	1	
11	879942	Special screw	1	
12	871554	Lever	1	
13	847069	Spring	1	
14	847210	screw	1	
15	847214	Washer	1	
16	899154	Shift cam plate	1	
17	847073	Bolt	1	
18	006125	Flat washer	1	

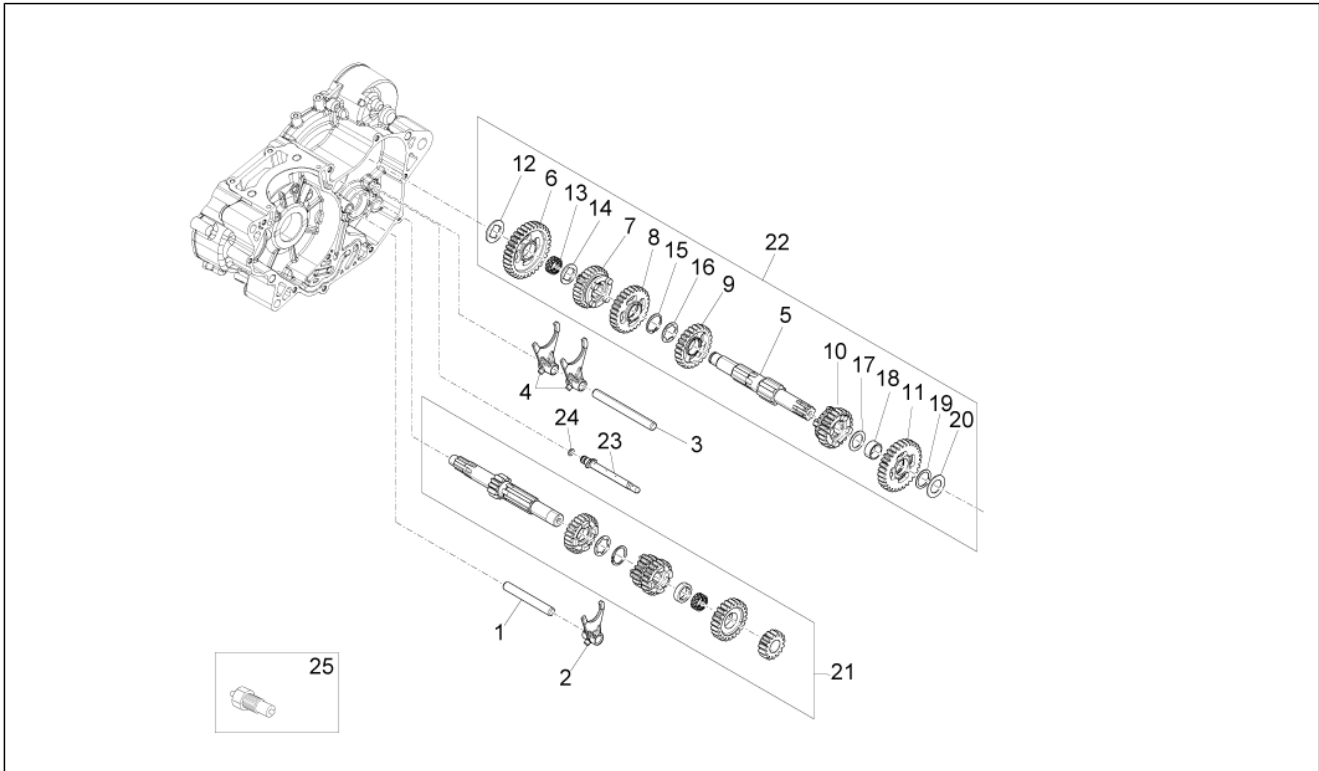
<b>Group</b>	Engine
<b>Code</b>	03.180
<b>Description</b>	Gear box - Gear assembly
<b>Service</b>	1



Pos.	Code	Description	Qty	Variants
1	871442	Pin	1	
2	847031	Fork	1	
3	871443	Pin	1	
4	847032	Fork	2	
5	B044222	Driven shaft	1	
6	872958	Gear 1a	1	
7	899434	Fifth speed gear	1	
8	899432	3rd-4th gear	1	
9	899433	4th gear	1	
10	899435	Gear 6a	1	
11	872959	Gear 2a	1	
12	CM157101	Thrust washer 2.2	1	
12	CM157102	Thrust washer 2	1	
12	CM157103	Thrust washer 1.9	1	
12	CM157104	Thrust washer 1.8	1	
12	CM157105	Thrust washer 1.7	1	
12	CM157106	Thrust washer 1.6	1	
13	872954	Roller cage	1	
14	872962	Washer	1	
15	871428	Circlip	1	
16	871427	Washer	1	
17	847546	Washer	1	
18	847547	Bush	1	
19	847541	Washer 1x18x23	1	
20	847545	Washer 1.2x17x28	1	
21	899428	Primary shaft assy	1	
22	B044240	Secondary shaft cpl.	1	
23	B046328	Tubo lubrificazione	1	

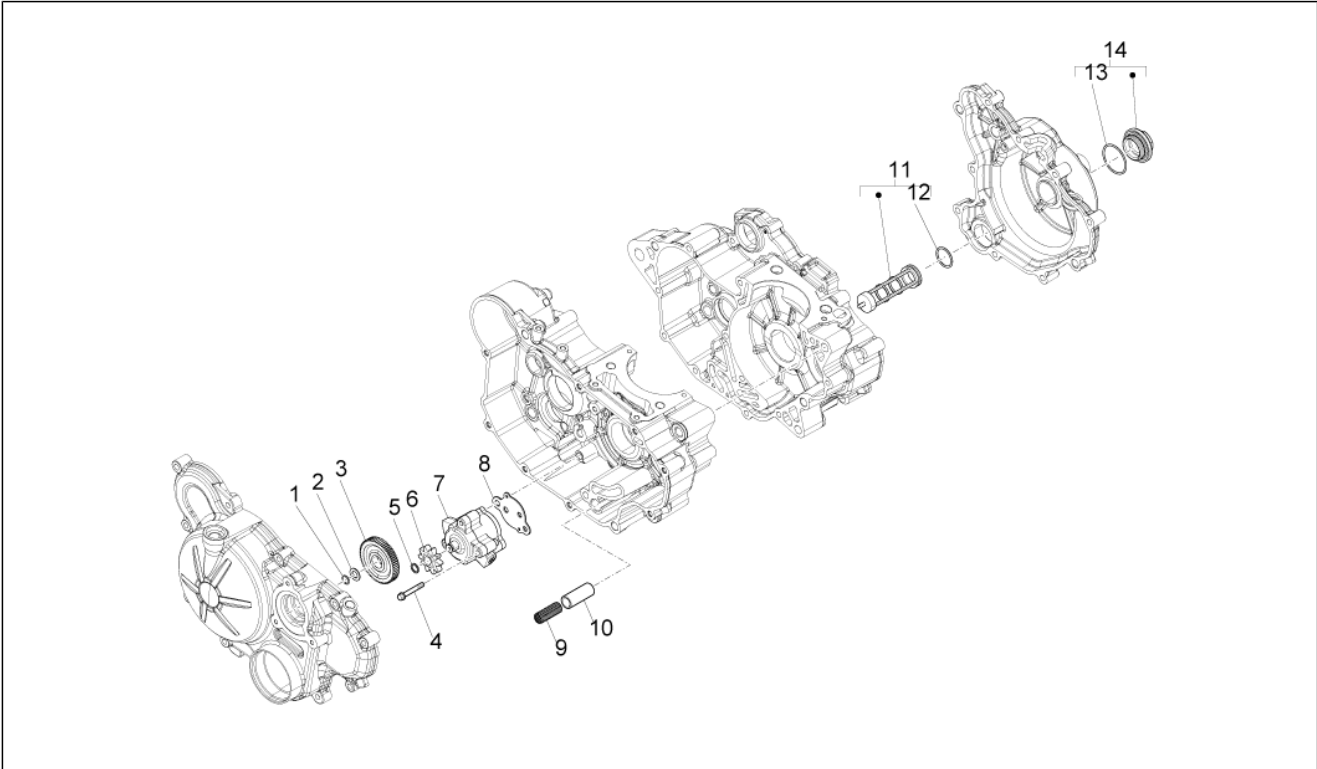


<b>Group</b>	Engine
<b>Code</b>	03.180
<b>Description</b>	Gear box - Gear assembly
<b>Service</b>	1



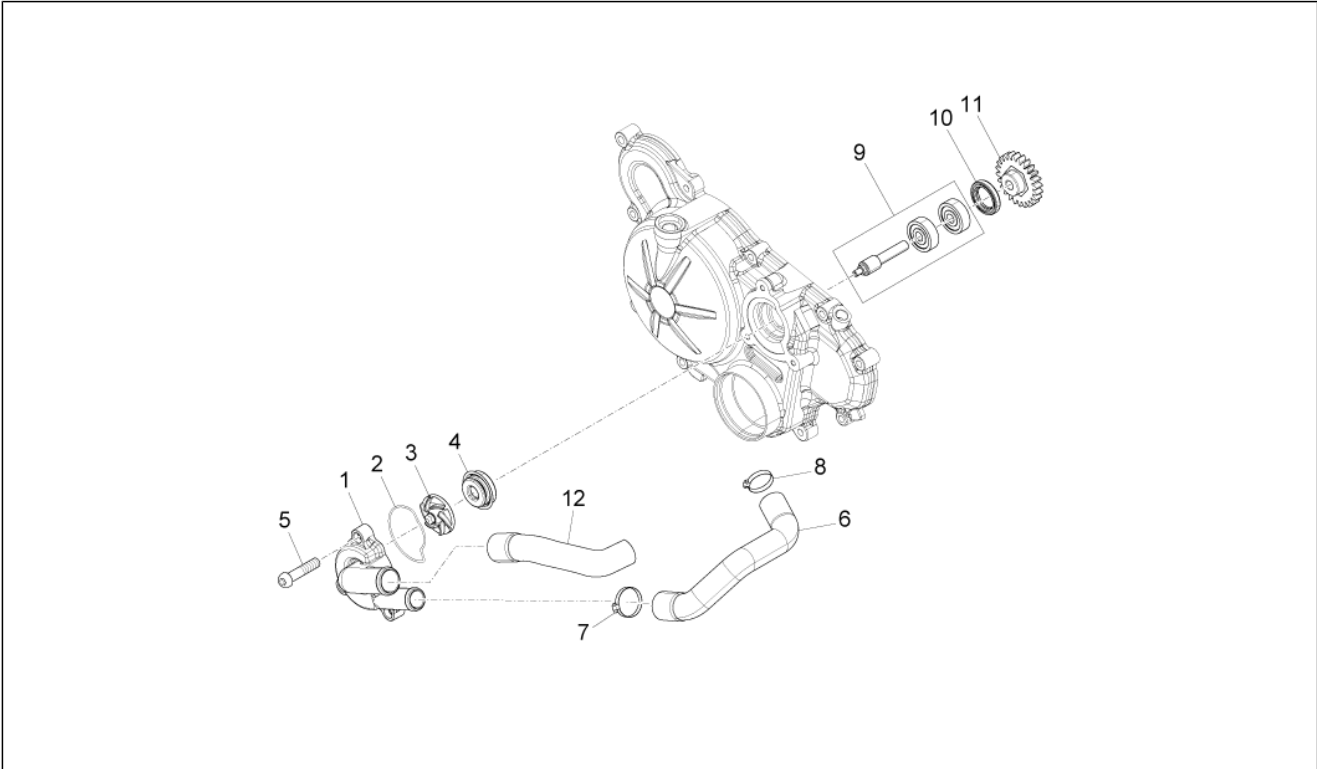
Pos.	Code	Description	Qty	Variants
24	873097	O-ring	1	
25	880095	Gear position sensor	1	

<b>Group</b>	Engine
<b>Code</b>	03.200
<b>Description</b>	Oil pump
<b>Service</b>	1



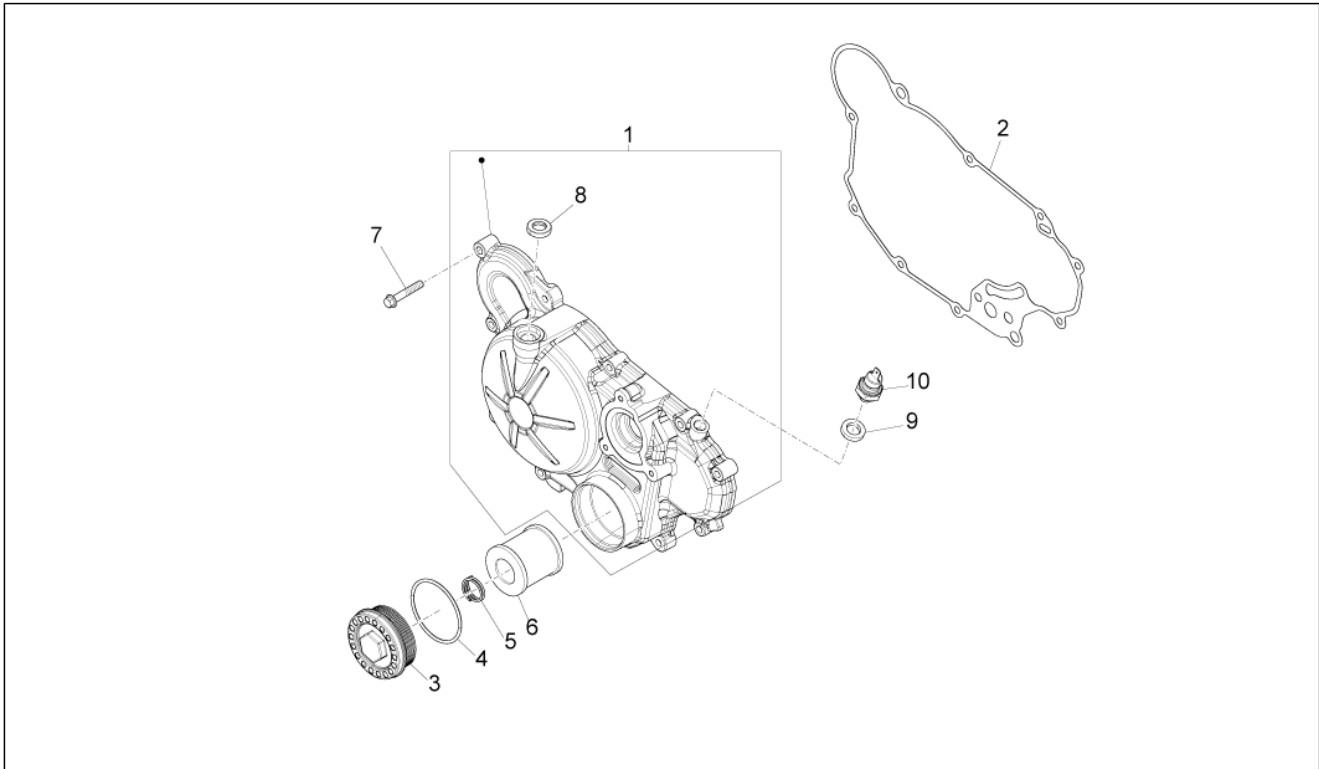
Pos.	Code	Description	Qty	Variants
1	006408	Safety washer	1	
2	847183	Washer	1	
3	871501	Idle gear	1	
4	829593	Screw w/ flange M5x35	3	
5	006409	Ring	1	
6	871454	Oil pump gear	1	
7	871451	Oil pump assy.	1	
8	871500	Gasket	1	
9	485655	Spring	1	
10	829661	Oil pressure valve	1	
11	431242	Oil filter	1	
12	288474	O-ring 20,35x1,78	1	
13	285536	O-ring 31,47x1,78	1	
14	826165	Oil filter plug	1	

<b>Group</b>	Engine
<b>Code</b>	03.210
<b>Description</b>	Water pump
<b>Service</b>	1



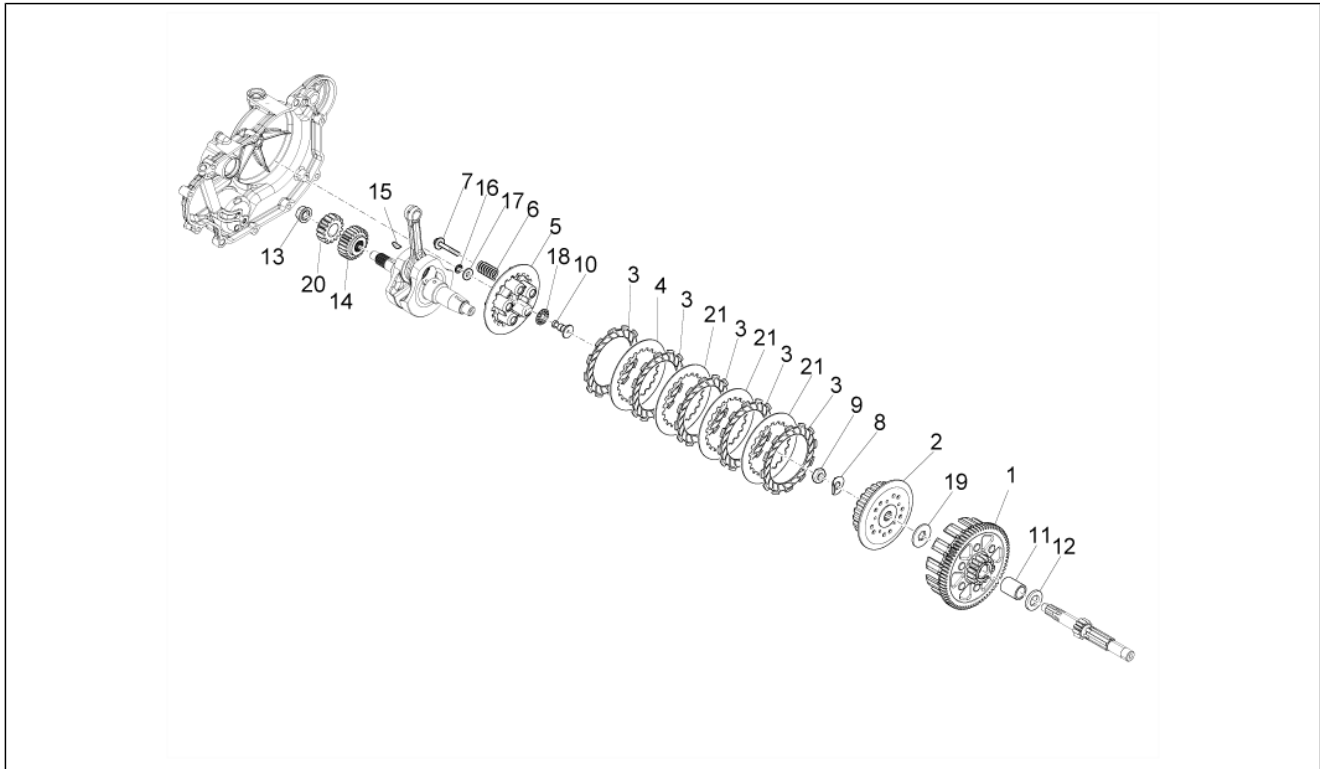
Pos.	Code	Description	Qty	Variants
1	871354	Water pump cover	1	
2	871418	O-ring	1	
3	871358	Impeller	1	
4	82991R	Gasket ring	1	
5	845753	Hex socket screw M5x20	3	
6	871450	Pump-cylinder hose	1	
7	CM001907	Hose clamp	1	
8	CM001906	Hose clamp	1	
9	8713724	Water pump rod with U.P.	1	
10	82897R	Gasket ring 20x30x5	1	
11	899803	Water pump gear	1	
12	865655	Water cooler-pump tube	1	

<b>Group</b>	Engine
<b>Code</b>	03.220
<b>Description</b>	Clutch cover
<b>Service</b>	1



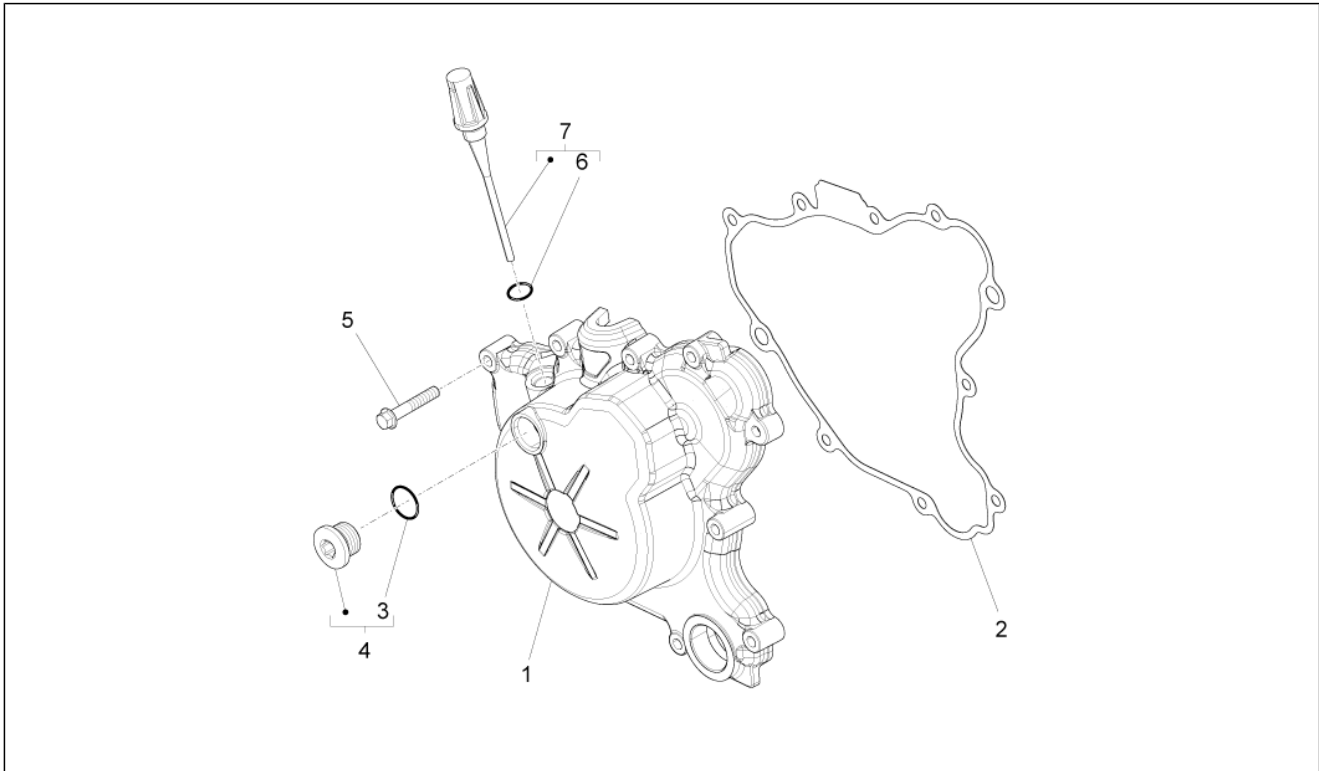
Pos.	Code	Description	Qty	Variants
1	B043788	Clutch cover	1	
2	878241	Cover gasket	1	
3	851295	Oil filter cover	1	
4	AP9150355	O-ring D53,65x2,68	1	
5	AP9150167	Spring	1	
6	874081	Oil filter	1	
7	414838	screw M6x35	10	
8	847075	Oil seal 12x20	1	
9	AP9150472	Washer 10,5x17x1,5	1	
10	641541	Oil pressure sensor	1	

<b>Group</b>	Engine
<b>Code</b>	03.230
<b>Description</b>	Clutch
<b>Service</b>	1



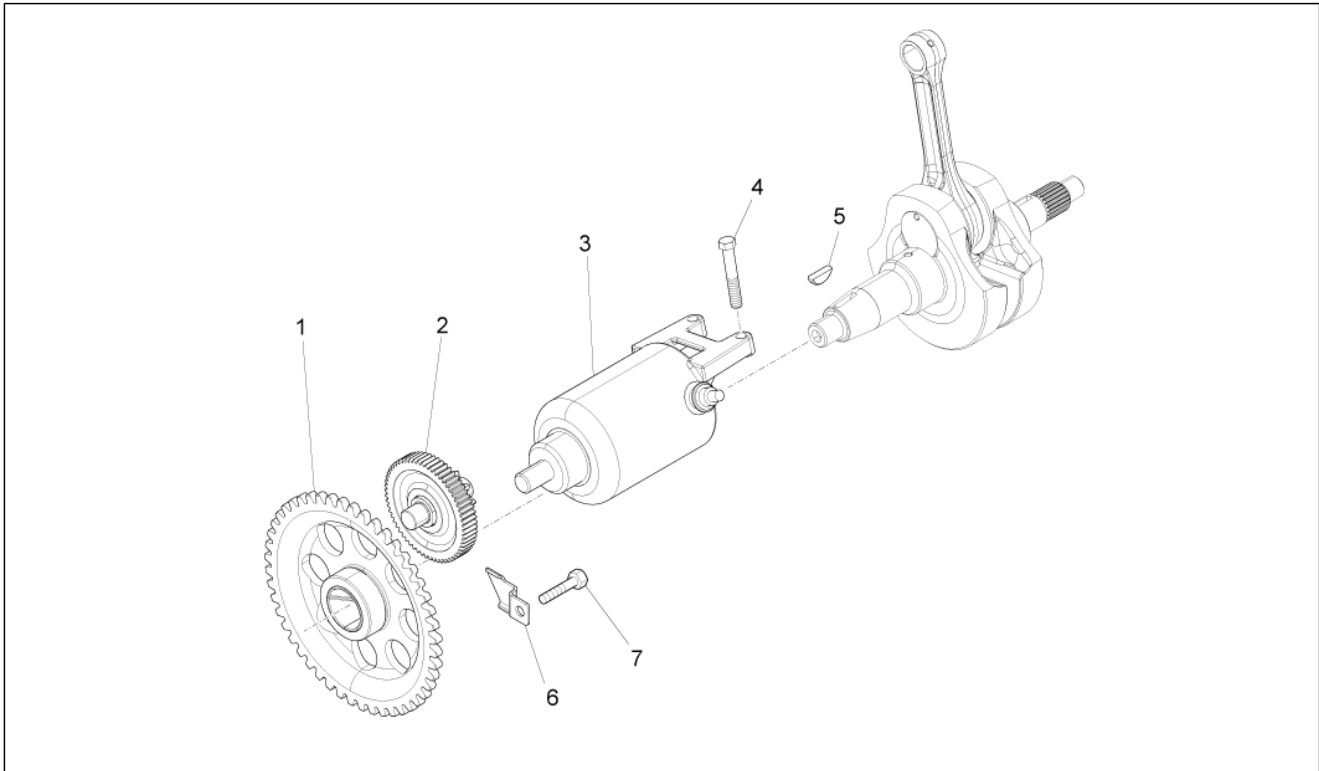
Pos.	Code	Description	Qty	Variants
1	899801	Clutch gearing	1	
2	847045	Clutch pressure plate	1	
3	871341	Driving clutch disc	5	
4	873627	Driven clutch disc	1	
5	847046	Clutch cover	1	
6	879285	Clutch spring	5	
7	847048	screw 5M80X35	5	
8	876418	Washer	1	
9	874760	Special nut	1	
10	847223	Pin	1	
11	B044411	Spacer	1	
12	847218	Washer	1	
13	436783	Nut M12	1	
14	899798	Pinion Z=29	1	
15	000097	Transmission key	1	
16	006410	Gasket ring	1	
17	847224	Washer	1	
18	847222	Bearing	1	
19	847042	Washer	1	
20	899802	Water pump pinion	1	
21	847043	Driven clutch disc	3	

<b>Group</b>	Engine
<b>Code</b>	03.270
<b>Description</b>	Flywheel cover
<b>Service</b>	1



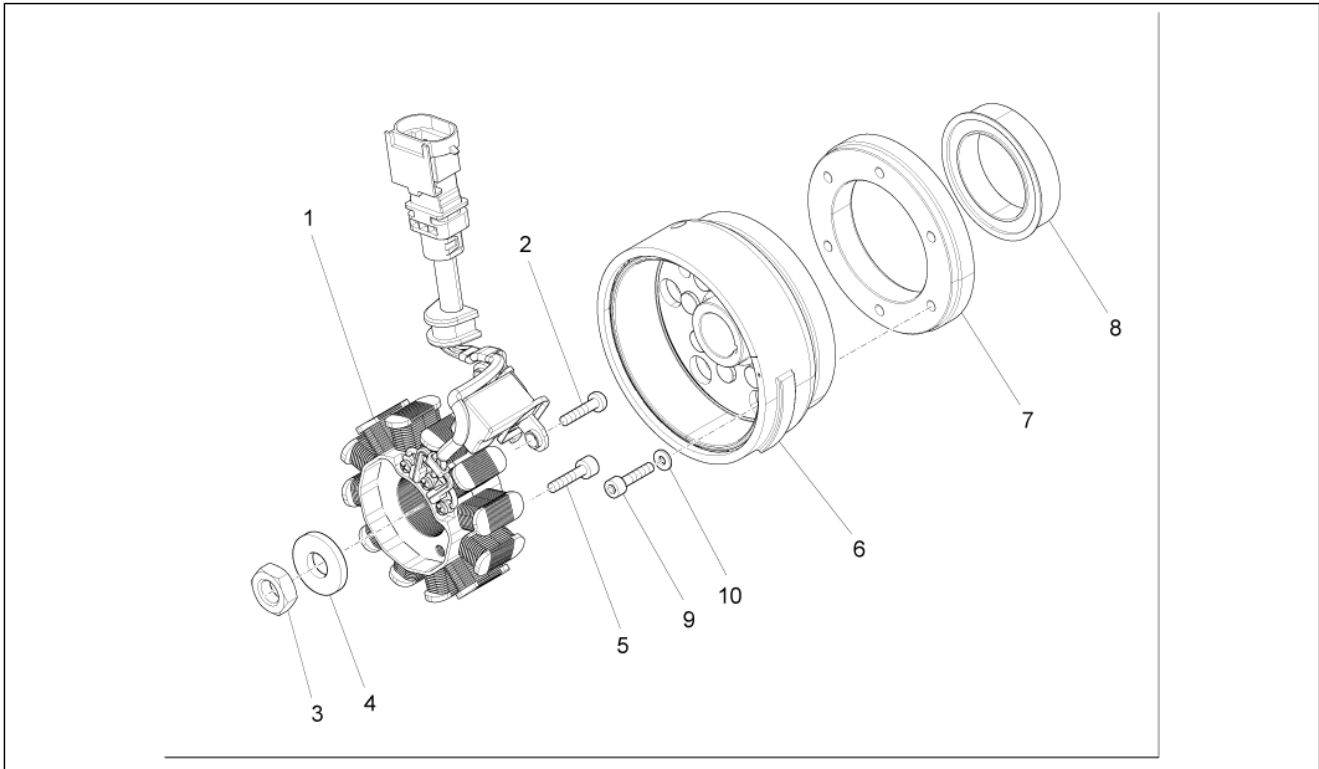
Pos.	Code	Description	Qty	Variants
1	874776	Flywheel side cover	1	
2	871558	Gasket	1	
3	479986	O-ring	2	
4	8290405	Timing plug assembly	2	
5	414838	screw M6x35	10	
6	874678	O-ring	1	
7	874676	Complete oil level dipstick	1	

<b>Group</b>	Engine
<b>Code</b>	03.290
<b>Description</b>	Starter / Electric starter
<b>Service</b>	1



Pos.	Code	Description	Qty	Variants
1	871486	Chain ring	1	
2	8714915	Intermediate gear	1	
3	58143R	Starter motor	1	
4	018639	Hex screw M6x20	2	
5	000097	Transmission key	1	
6	871515	Plate	1	
7	008375	screw M6x14	1	

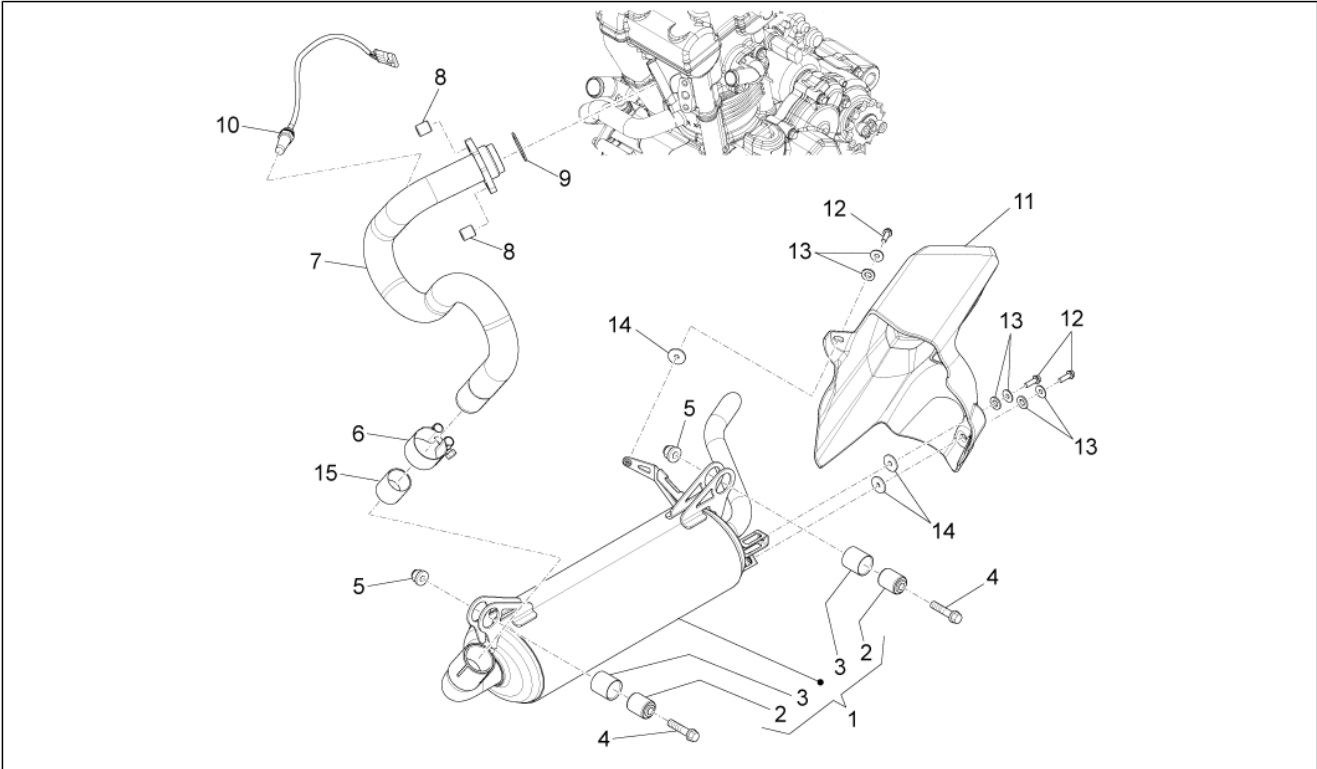
<b>Group</b>	Engine
<b>Code</b>	03.300
<b>Description</b>	Cdi magneto assy / Ignition unit
<b>Service</b>	1



Pos.	Code	Description	Qty	Variants
1	640043	Stator cpl.	1	
2	015715	Screw M5x16	2	
3	873498	Nut	1	
4	840320	Washer	1	
5	486972	Hex socket screw M5x25	2	
6	641009	Rotor cpl.	1	
7	871369	Ring	1	
8	871521	Sprag clutch	1	
9	841613	screw	6	
10	479515	Break washer	6	

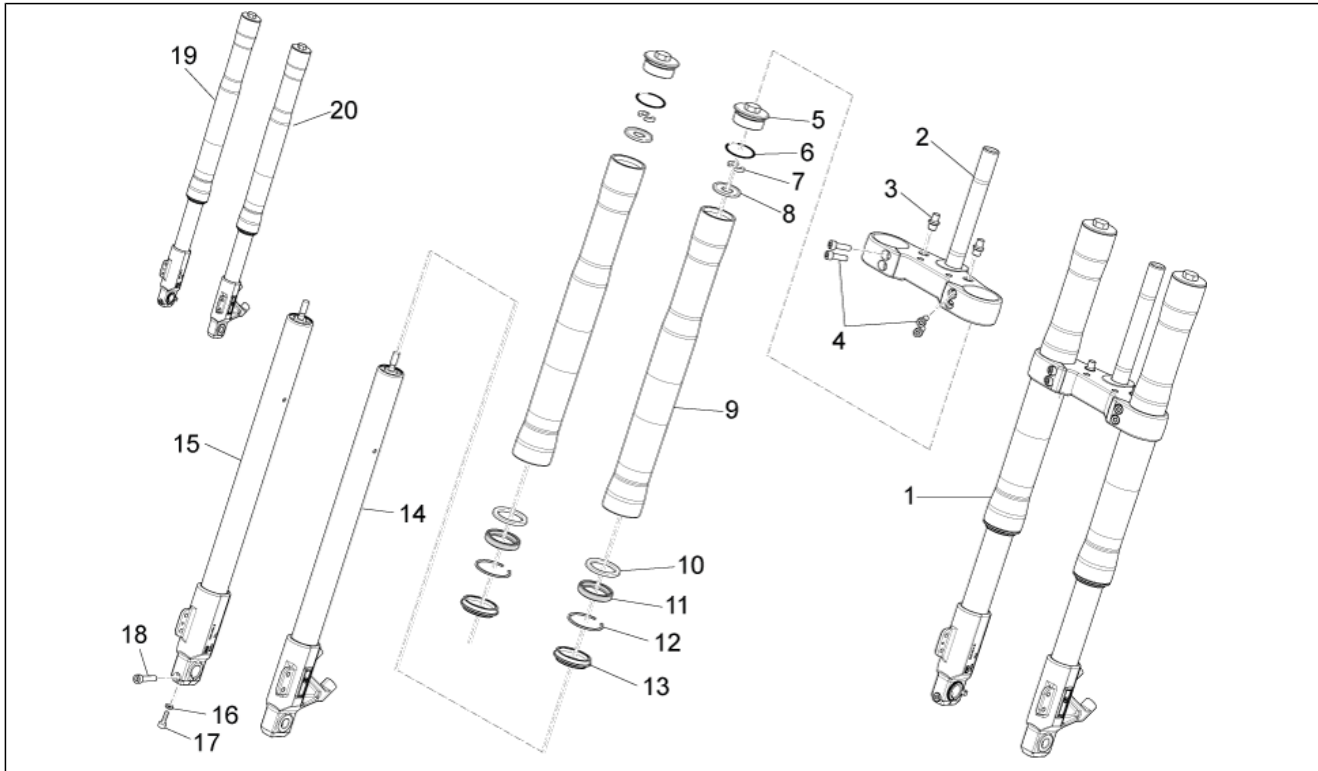


<b>Group</b>	Engine
<b>Code</b>	03.330
<b>Description</b>	Exhaust pipe
<b>Service</b>	1



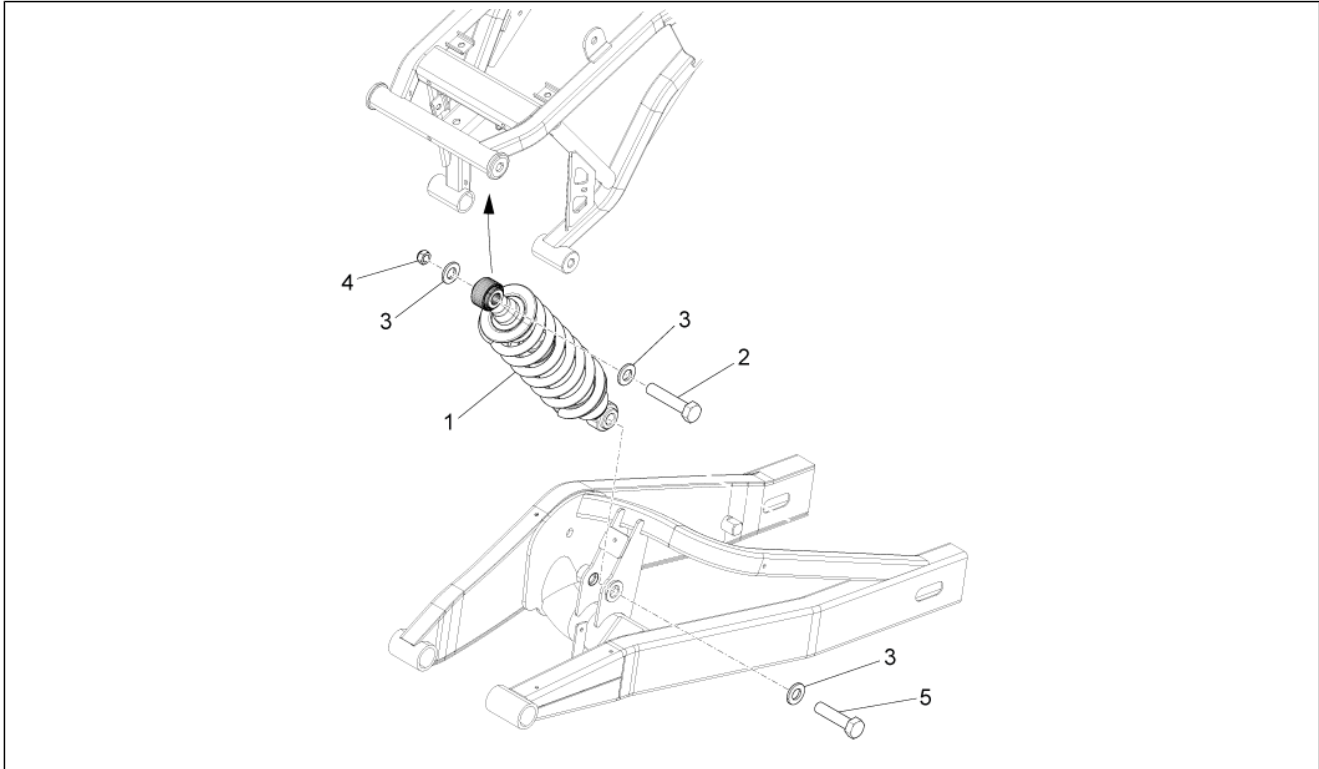
Pos.	Code	Description	Qty	Variants
1	899475	Silencer	1	
2	00H02201731	Silent-block	2	
3	863764	Bush silent block	2	
4	AP8152292	Screw w/ flange	2	
5	AP8152300	Self-locking nut M8	2	
6	00H03405061	Silencer clip	1	
7	898764	Exhaust pipe	1	
8	862560	Special nut	2	
9	863506	Gasket	1	
10	B044699	Lamda sensor	1	
11	86594400W5G	External cover	1	
12	AP8152273	Screw w/ flange M5X15	3	
13	00F04201361	Washer	6	
14	AP8150013	Washer 5,5x15x1,6*	3	
15	00H03406321	Gasket	1	

<b>Group</b>	Suspensions
<b>Code</b>	04.070
<b>Description</b>	Front fork Ming Xing
<b>Service</b>	1



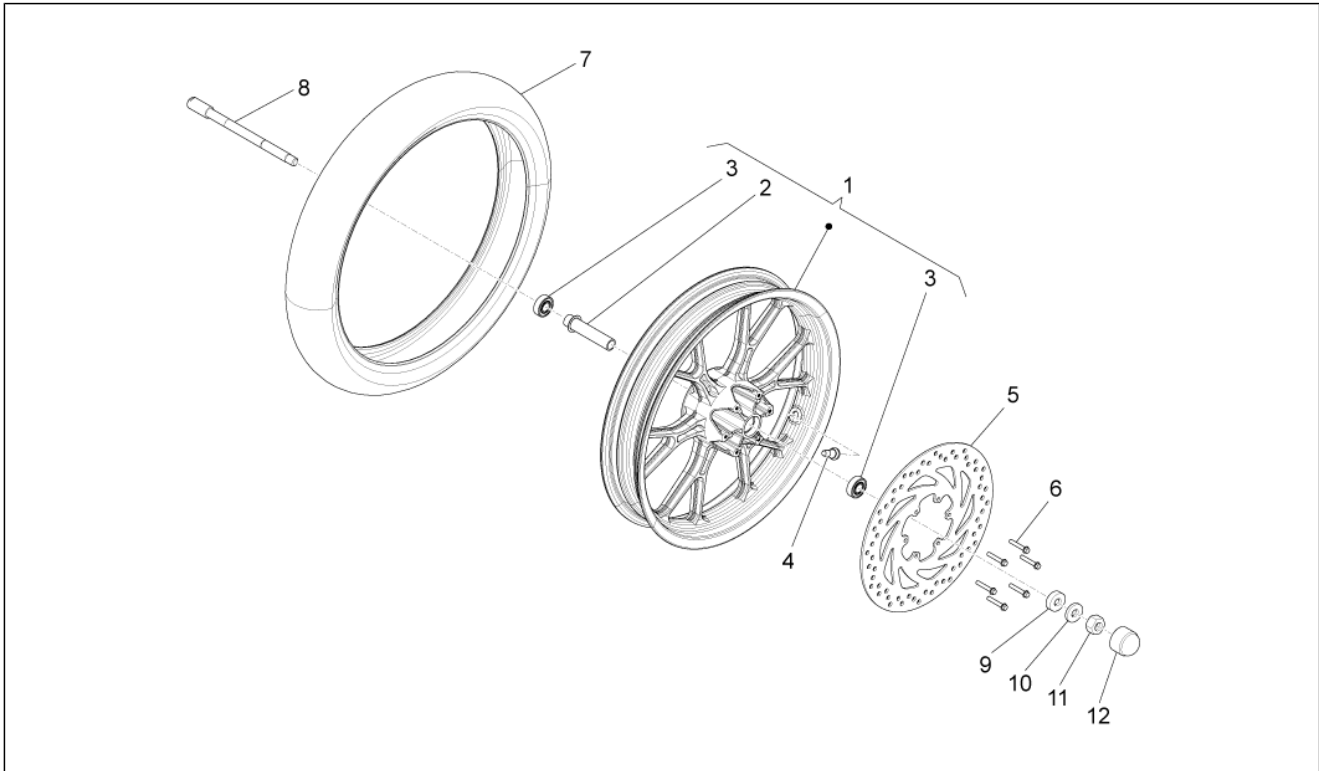
Pos.	Code	Description	Qty	Variants
1	8667100002	Front fork assembly MINXING	1	
2	B044047	Lower fork plate	1	
3	B044048	Limit stop	2	
4	AP8150236	Hex socket screw M8x35	4	
5	B044049	Fork tube cap	5	
6	B044050	O-ring	2	
7	B044051	Half ring	4	
8	B044052	Ring spring	2	
9	B044053	Sleeve	2	
10	B044054	Washer	2	
11	B044055	Oil seal	2	
12	B044056	Snap ring	2	
13	B044057	Dust cover	2	
14	B044058	LH hub	1	
15	B044059	RH hub	1	
16	B044060	Washer	1	
17	AP8150196	Hex socket screw	1	
18	AP8150107	Hex socket screw M8x30	1	
19	B044062	Sleeve cpl. DX	1	
20	B044061	Sleeve cpl. SX	1	

<b>Group</b>	Suspensions
<b>Code</b>	04.080
<b>Description</b>	Shock absorber
<b>Service</b>	1



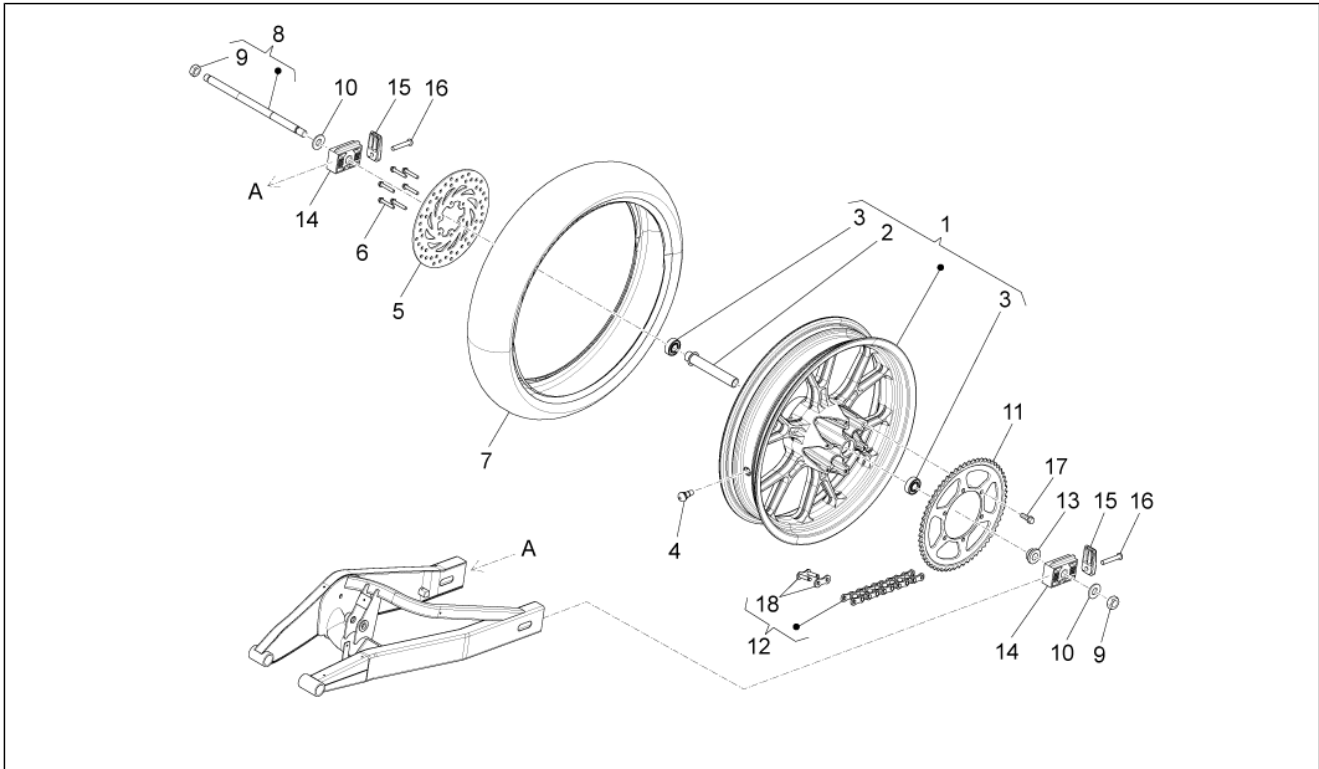
Pos.	Code	Description	Qty	Variants
1	8656670001	Rear shock absorber	1	
2	00H00303892	screw	1	
3	00001213190	Clearance bush	2	
4	AP8150432	Low self-locking nut M12*	2	
5	00H00302892	screw 12M175X50	1	

<b>Group</b>	Wheels
<b>Code</b>	05.010
<b>Description</b>	Front wheel
<b>Service</b>	1



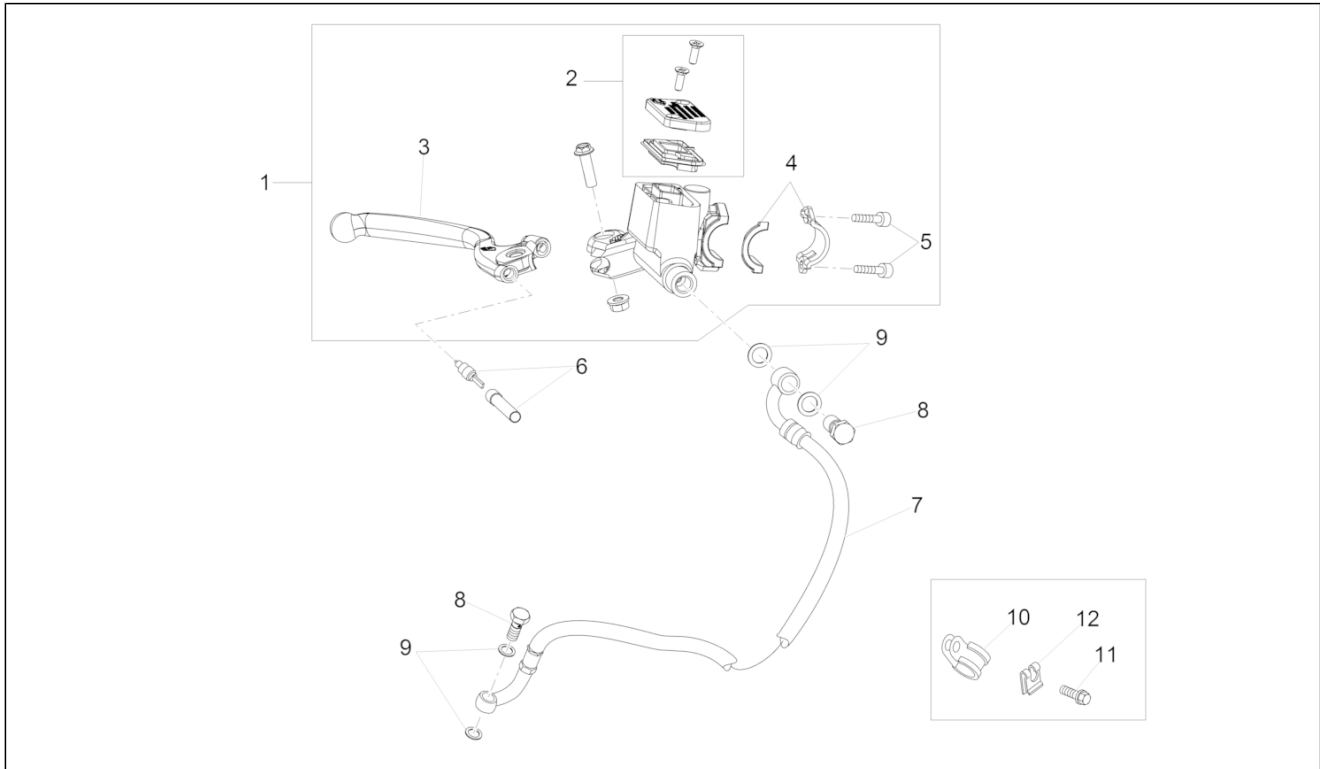
Pos.	Code	Description	Qty	Variants
1	00H01212841	Front wheel, black	1	
2	00H01205031	Internal spacer	1	
3	00058020200	Bearing	2	
4	AP8201546	Tubeless tyre valve	1	
5	866090	Front brake disc	1	
6	00H02402282	screw 6X20	6	
7	899858	Front tyre 100/80-17" SAVATECH	1	
8	00H01205271	Front wheel spindle	1	
9	00H01203291	Spacer	1	
10	00032015000	Washer	1	
11	00H00300672	Nut	1	
12	00H01201331	Guard	1	

<b>Group</b>	Wheels
<b>Code</b>	05.020
<b>Description</b>	Rear wheel
<b>Service</b>	1



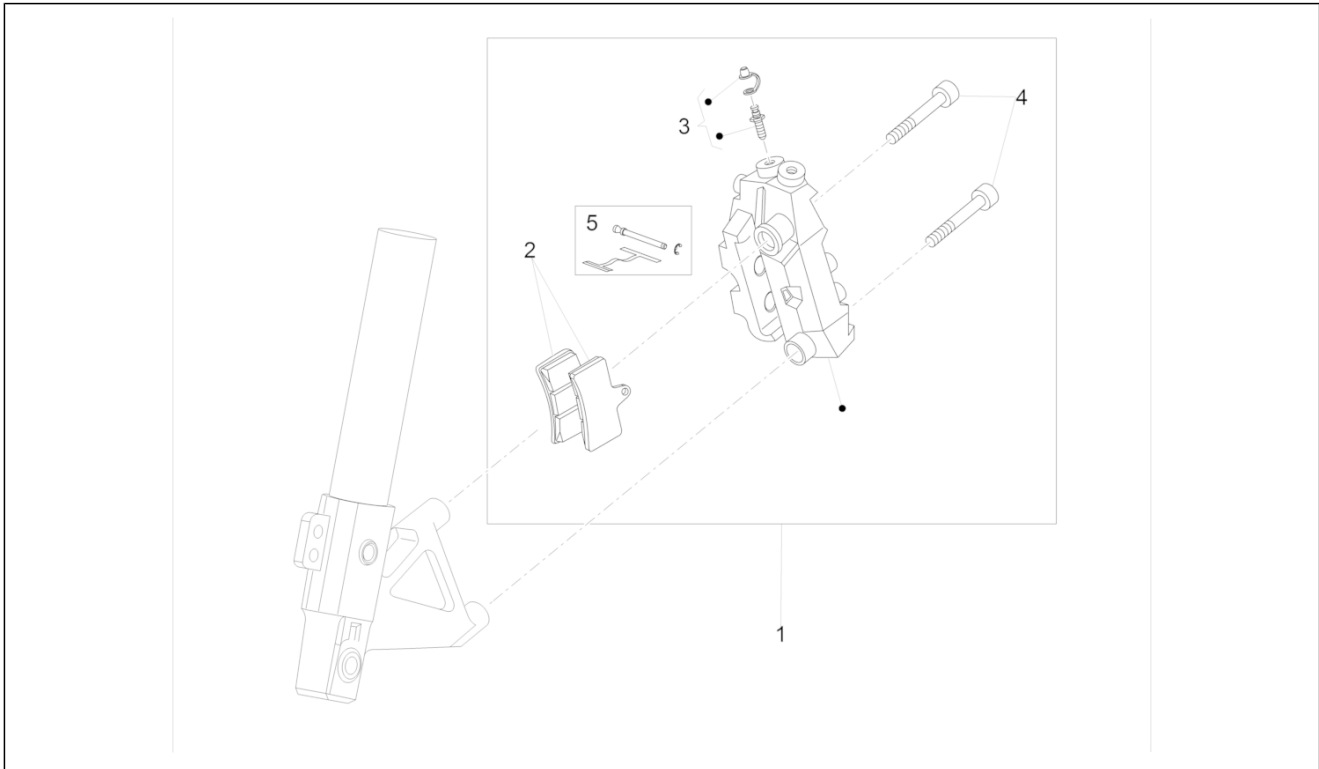
Pos.	Code	Description	Qty	Variants
1	867339	Rear wheel(complete)	1	
2	00H01308091	Internal spacer	1	
3	00058020200	Bearing	2	
4	AP8201546	Tubeless tyre valve	1	
5	866115	Rear brake disc	1	
6	00H02402282	screw 6X20	6	
7	899859	Rear tyre 130/70 Michelin	1	
8	865681	Wheel pin	1	
9	00H00300672	Nut	1	
10	866536	Spacer	1	
11	899485	Chain ring Z=60	1	
12	899613	Chain 136P	1	
13	866540	Spacer	1	
14	00H01303171	Chain tensioner	2	
15	00H01301471	Plate	2	
16	00H01301491	Hex socket screw M8x50	2	
17	AP8152287	Screw w/ flange M8x25	6	
18	B044138	Connecting link	1	

<b>Group</b>	Brake system
<b>Code</b>	06.010
<b>Description</b>	Front master cilinder
<b>Service</b>	1



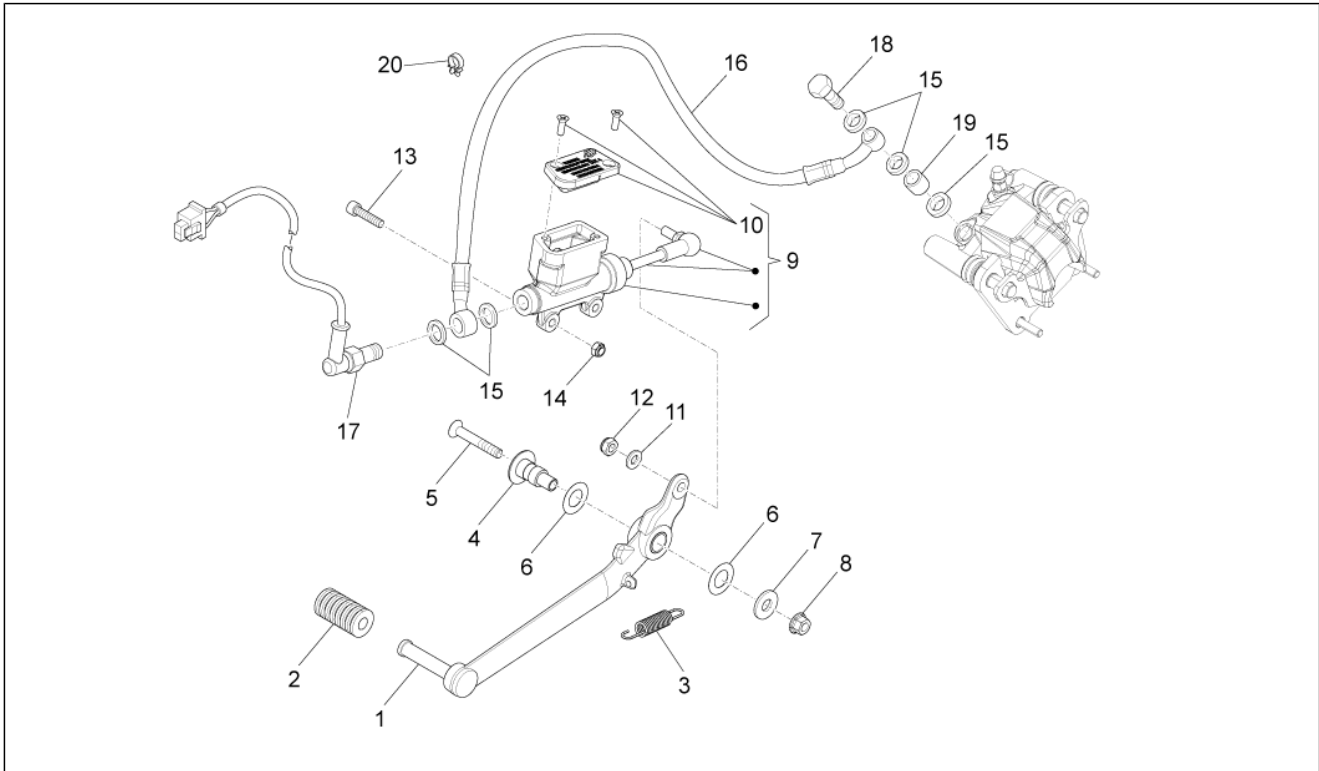
Pos.	Code	Description	Qty	Variants
1	B044194	Front master cilinder	1	
2	B044197	Cover	1	
3	B044198	Front brake lever	1	
4	B044408	U-bolt	1	
5	00000004512	screw	2	
6	B044409	Stop switch	1	
7	B044195	Front brake hose	1	
8	867237	Oil hose union	1	
9	867238	Washer	4	
10	AP8134167	Brake hose hanger	1	
11	AP8152278	Screw w/ flange M6x16	1	
12	254485	Spring plate M6	1	

<b>Group</b>	Brake system
<b>Code</b>	06.020
<b>Description</b>	Front brake caliper
<b>Service</b>	1



Pos.	Code	Description	Qty	Variants
1	B044196	Front brake caliper	1	
2	B044201	Brake pads kit SBS SI 90 HH	1	
2	B044202	Brake pads kit SBS S 60 HH	1	
3	867240	Air bleed valve	1	
4	AP8150049	screw M10x60	2	
5	B044410	Pin and spring kit	1	

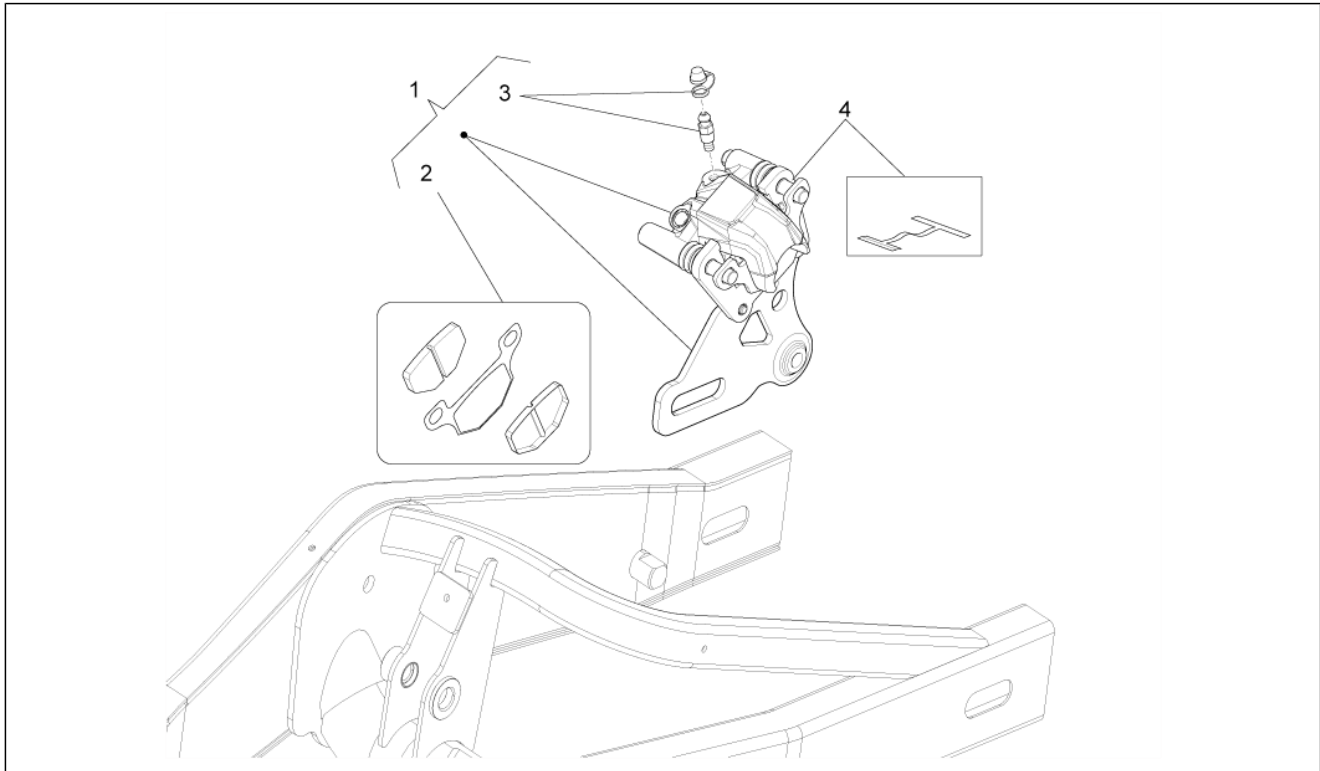
<b>Group</b>	Brake system
<b>Code</b>	06.030
<b>Description</b>	Rear master cylinder
<b>Service</b>	1



Pos.	Code	Description	Qty	Variants
1	AP8235012	Rear brake lever	1	
2	AP8220189	Rubber spacer	1	
3	B044255	Rear brake lever spring	1	
4	866514	Bush	1	
5	AP8150468	Screw M6x40	1	
6	AP8121697	Belleville spring	2	
7	AP8150018	Washer	1	
8	AP8152299	Self-locking nut M6	1	
9	B044203	Rear master cylinder	1	
10	B044488	Pump cover	1	
11	658830	Curved spring washer 6x12	1	
11	AP8150429	Spring washer 6,4x11x0,5*	1	
12	AP8150430	Low self-locking nut	1	
13	AP8150220	Hex socket screw M6x30	2	
14	AP8152299	Self-locking nut M6	2	
15	867238	Washer	4	
16	B044204	Rear brake hose	1	
17	865493	Stop switch	1	
18	867237	Oil hose union	1	
19	865511	Bush	1	
20	AP8161203	Fairlead	1	

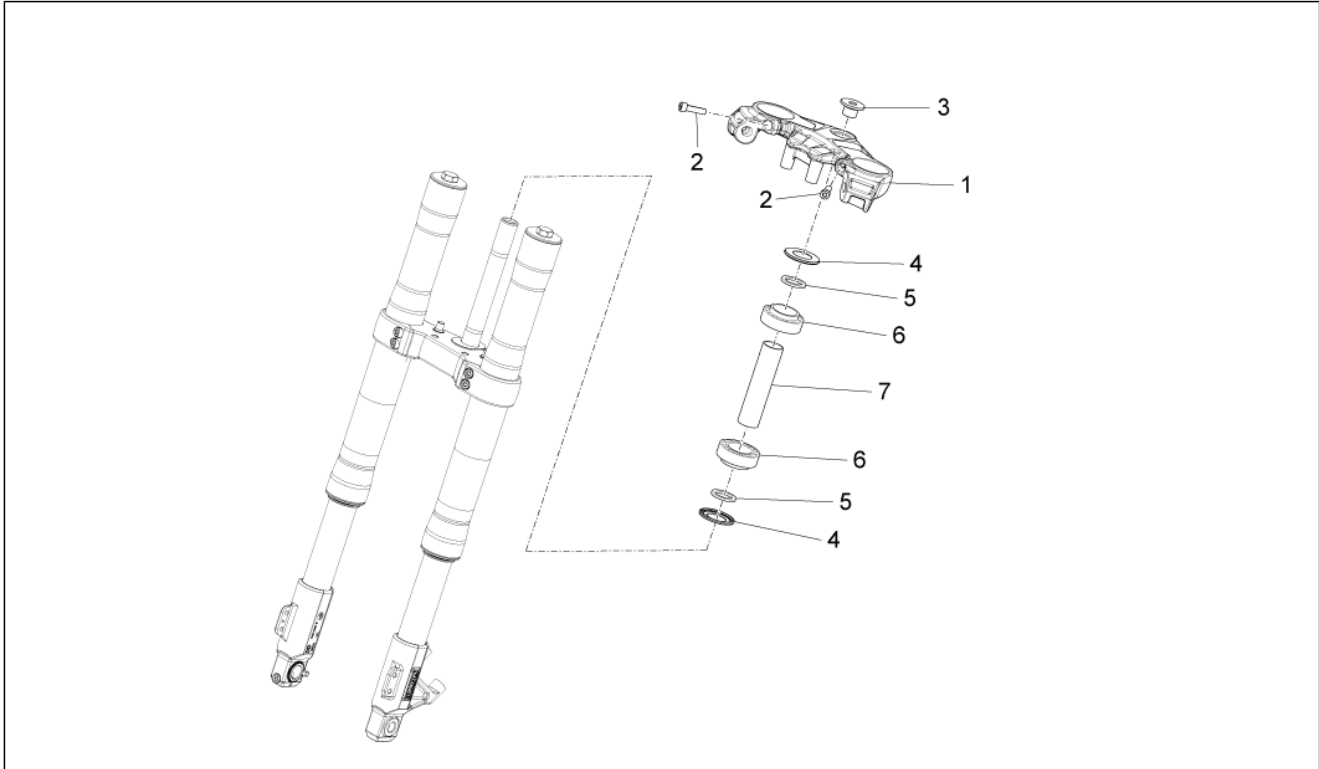


<b>Group</b>	Brake system
<b>Code</b>	06.040
<b>Description</b>	Rear brake caliper
<b>Service</b>	1



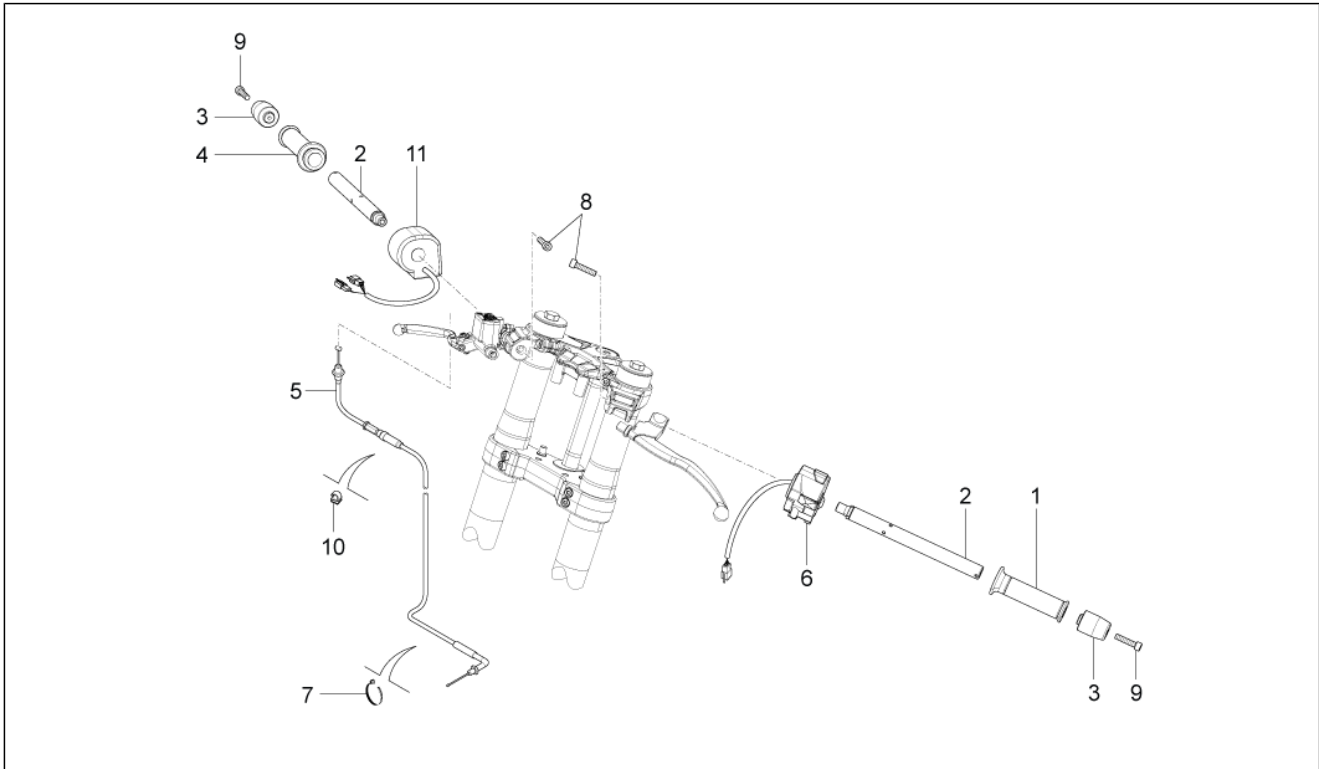
Pos.	Code	Description	Qty	Variants
1	2B000735	Rear brake caliper	1	
2	B044223	Brake pads kit SBS S 60 HH	1	
2	B044224	Brake pads kit SBS SI 80 GG	1	
3	867240	Air bleed valve	1	
4	B044412	Spring kit	1	

<b>Group</b>	Handlebar - Controls
<b>Code</b>	07.010
<b>Description</b>	Steering
<b>Service</b>	1



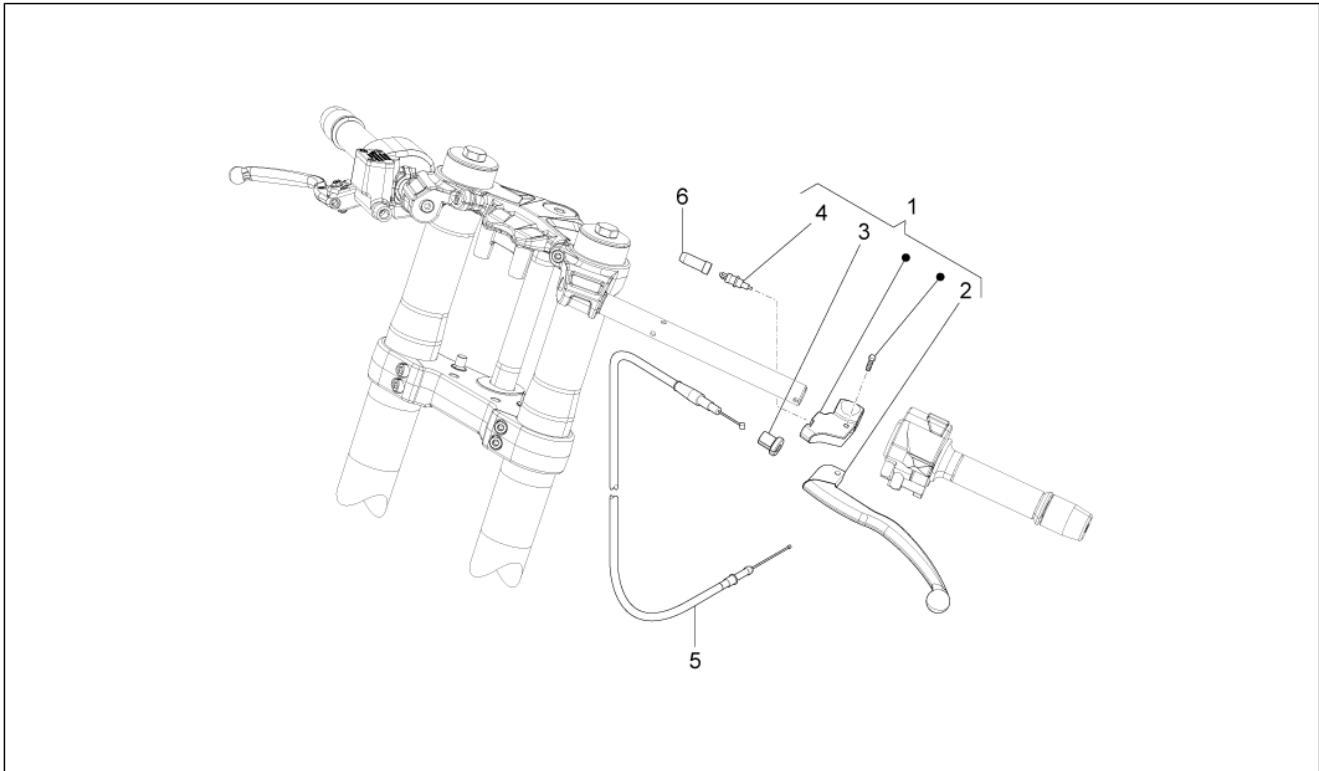
Pos.	Code	Description	Qty	Variants
1	898909	Fork upper plate	1	
2	AP8150170	Hex socket screw M8x25	2	
3	865482	Nut	1	
4	AP8104597	Gasket ring	2	
5	AP8203550	Steering washer	2	
6	AP8110093	Bearing 6205-2rs1 25x52x15	2	
7	865666	Tube	1	

<b>Group</b>	Handlebar - Controls
<b>Code</b>	07.020
<b>Description</b>	Handlebar - Controls
<b>Service</b>	1



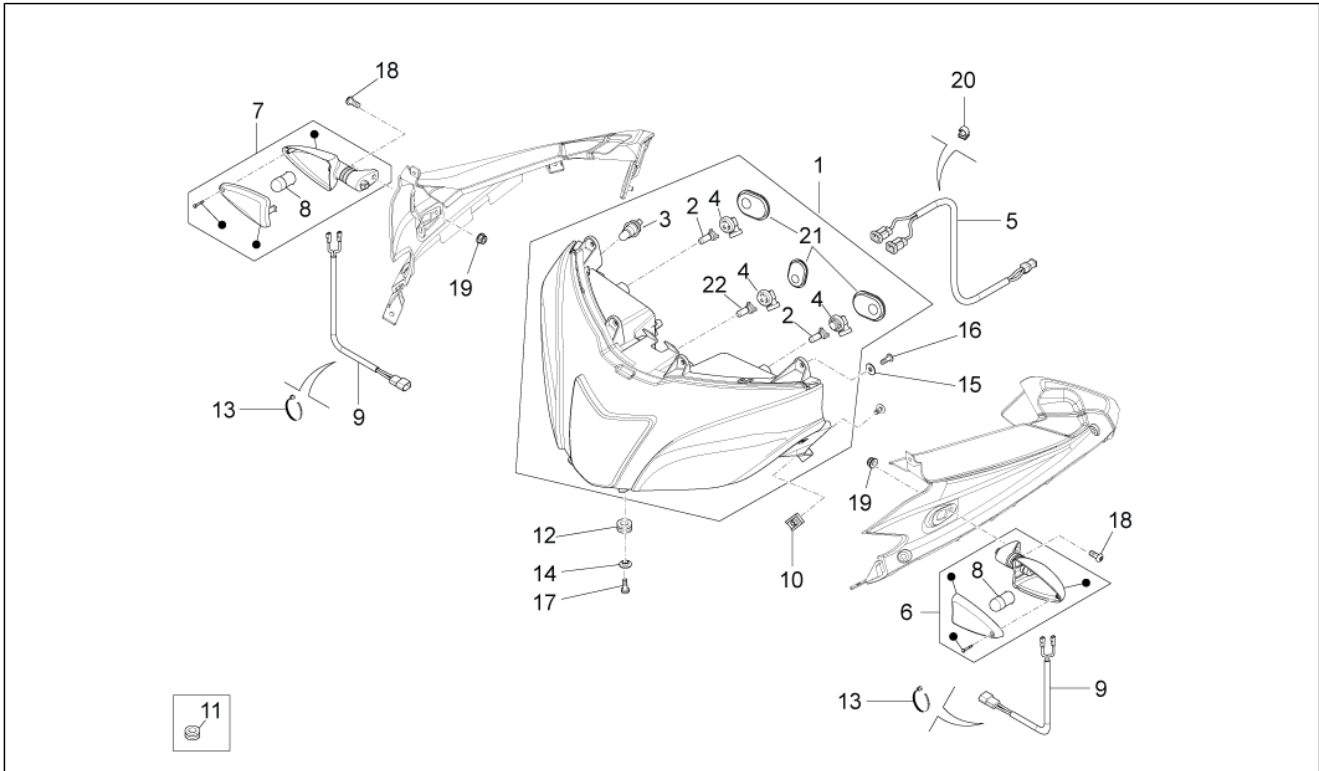
Pos.	Code	Description	Qty	Variants
1	00G00909071	LH hand grip	1	
2	86203R	Handlebars, half	2	
3	866233	Anti.v weight, black	2	
4	866266	Throttle grip	1	
5	899637	Throttle cable	1	
6	AP8124918	LH lights selector	1	
7	AP8120657	Hose clamp	2	
8	AP8150107	Hex socket screw M8x30	2	
9	AP8150435	Hex socket screw M5x50	2	
10	AP8201727	Black cable guide	2	
11	AP8124914	RH lights sel. w/wiring	1	

<b>Group</b>	Handlebar - Controls
<b>Code</b>	07.030
<b>Description</b>	Clutch control
<b>Service</b>	1



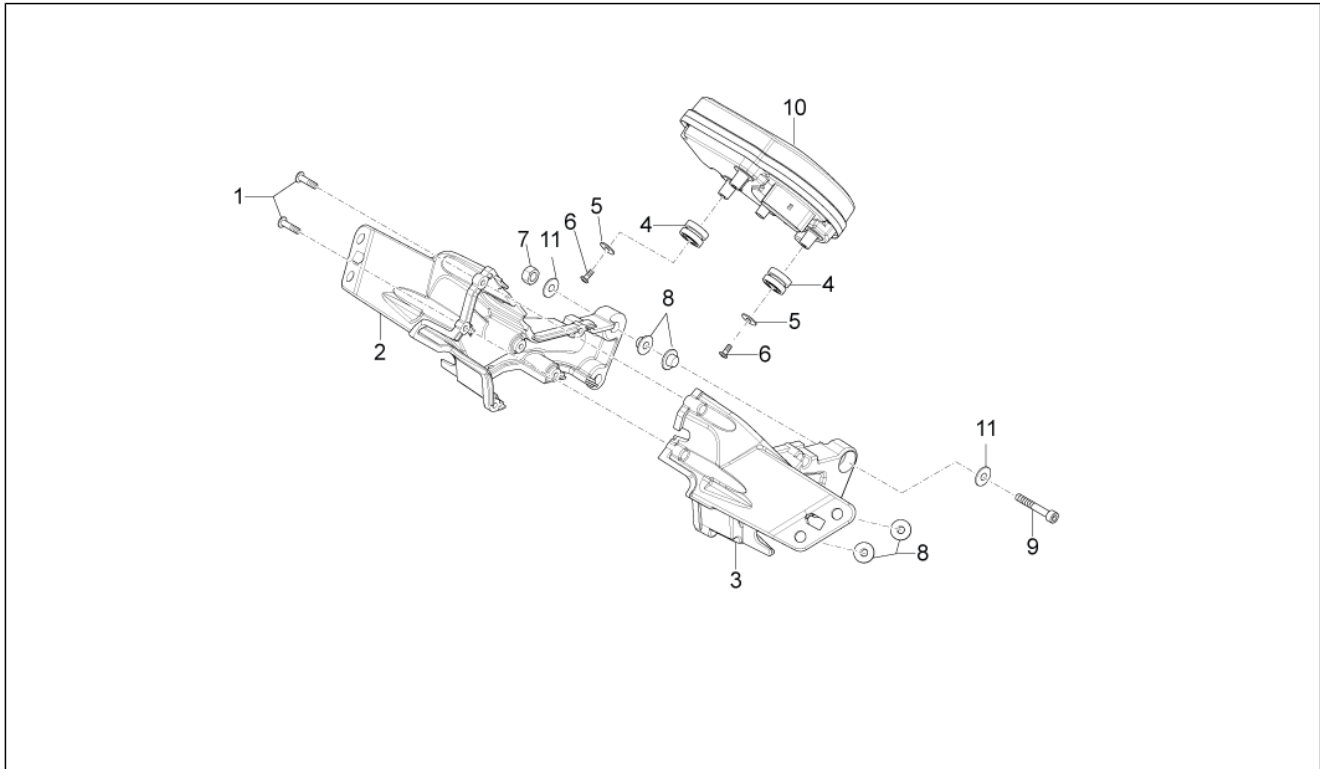
Pos.	Code	Description	Qty	Variants
1	865951	Clutch lever cpl.	1	
2	00H00904291	Clutch lever	1	
3	00H00900351	Clutch cable register	1	
4	642032	stop Button	1	
5	865646	Clutch cable	1	
6	AP8220135	Rubber spacer *	1	

<b>Group</b>	Lights - Instruments
<b>Code</b>	08.010
<b>Description</b>	Front lights
<b>Service</b>	1



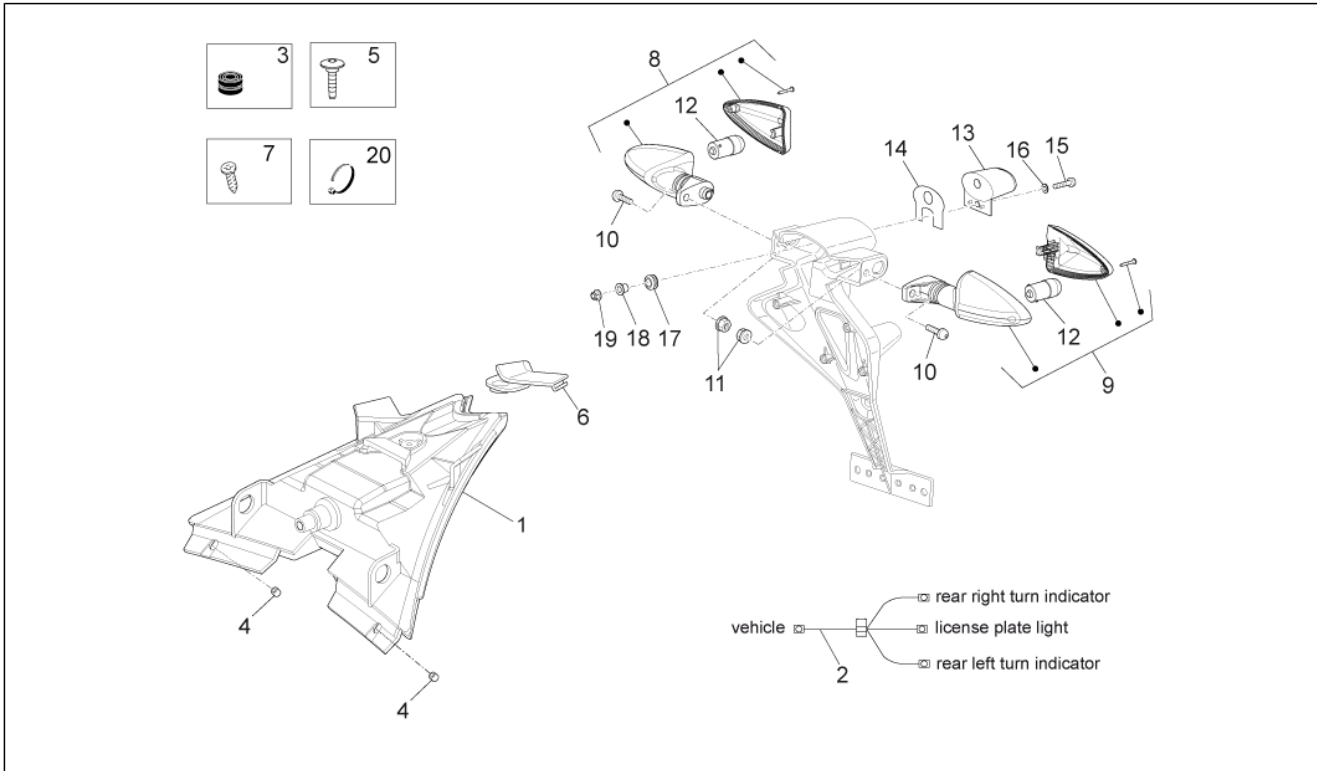
Pos.	Code	Description	Qty	Variants
1	897575	Headlight	1	
2	893929	Lamp W5WB 2V 5W	2	
3	640754	Lamp H11 12V 55W	3	
4	893930	Lampholder	2	
5	898696	Headlamp cable harness	1	
6	AP8127803	Turn signal lamp DX	1	
7	AP8127804	Turn signal lamp SX	1	
8	AP8127489	Lamp RY10W 12V	2	
9	B043223	Front turn indicator harness	2	
10	AP8102375	Clip m5	1	
11	AP8120030	Rubber spacer	2	
12	AP8120405	Rubber spacer	3	
13	AP8120416	Black hose 178x4	2	
14	AP8121032	Bush	3	
15	AP8150509	Self-tap screw 5x14	6	
16	AP8150382	Washer 15x5,5X1,2	6	
17	AP8150515	Light adjustment self-threading screw	1	
18	AP8152137	Hex socket screw M6x20	2	
19	AP8152299	Self-locking nut M6	2	
20	AP8201727	Black cable guide	1	
21	894796	Front headlight guard	3	
22	292022	Lamp 12V-5W	1	

<b>Group</b>	Lights - Instruments
<b>Code</b>	08.020
<b>Description</b>	Instruments
<b>Service</b>	1



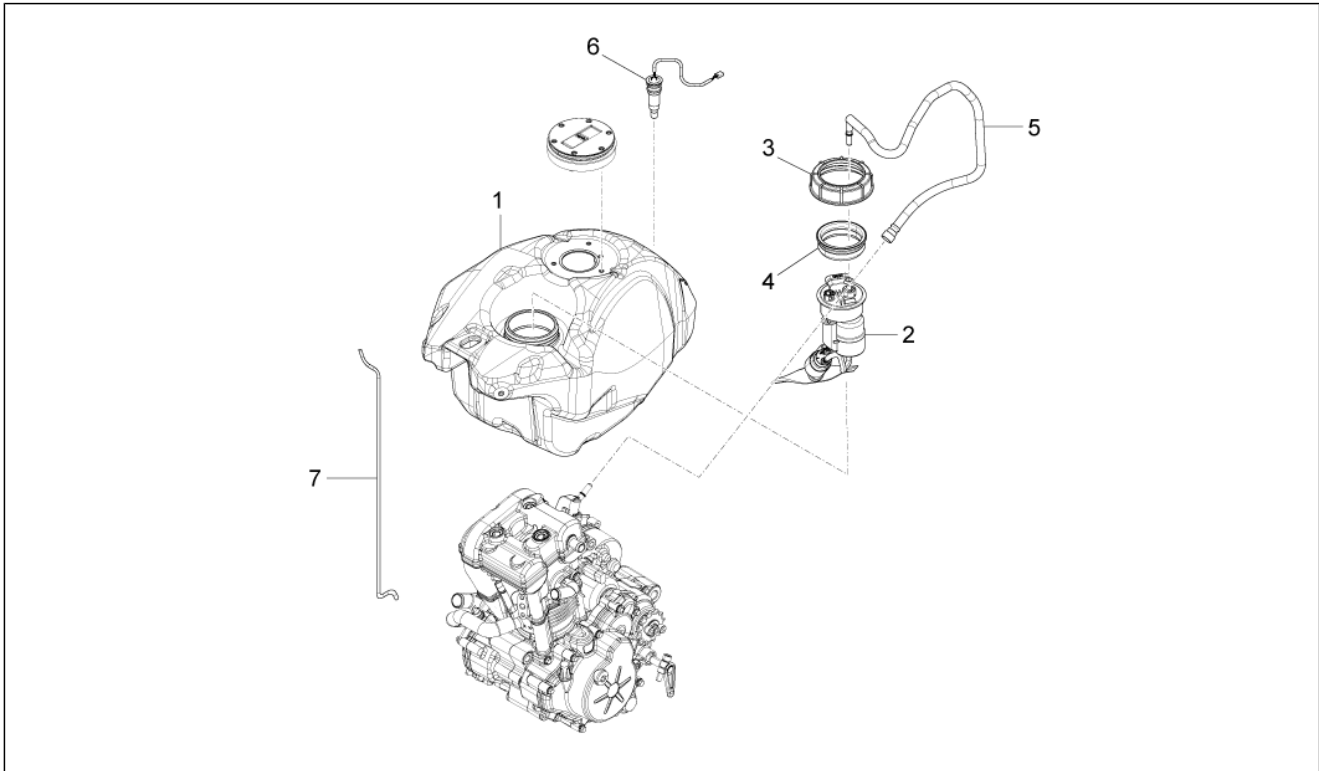
Pos.	Code	Description	Qty	Variants
1	AP8152329	Phillips screw, SWP M5x20	6	
2	898687	Right instrument panel support	1	
3	898688	Left instrument panel support	1	
4	AP8220150	Rubber spacer	3	
5	AP8150382	Washer 15x5,5X1,2	3	
6	AP8150509	Self-tap screw 5x14	3	
7	AP8152299	Self-locking nut M6	2	
8	AP8121728	T bush *	4	
9	AP8150508	Hex socket screw M6x45	2	
10	898065	Pico instrument panel	1	
11	AP8150179	Washer 6,6x18*	4	

<b>Group</b>	Lights - Instruments
<b>Code</b>	08.030
<b>Description</b>	Rear lights
<b>Service</b>	1



Pos.	Code	Description	Qty	Variants
1	858725	Taillight	1	
2	898698	Taillight wiring harn.	1	
3	AP8220186	Rubber spacer	2	
4	AP8221036	Bushing 5,3x8x7,1	2	
5	AP8152298	Screw w/ flange M5x16	2	
6	858839	Taillight Cover	1	
7	AP8150420	Self-tapping screw *	1	
8	AP8127803	Turn signal lamp DX	1	
9	AP8127804	Turn signal lamp SX	1	
10	AP8152137	Hex socket screw M6x20	2	
11	AP8152299	Self-locking nut M6	2	
12	AP8127489	Lamp RY10W 12V	2	
13	AP8127098	Number-plate light	1	
14	AP8117258	Vibration-damping rubber	1	
15	AP8150522	Screw 4,2x16	1	
16	AP8150158	Washer 4,3X9X0,8	1	
17	AP8112600	Rubber spacer	1	
18	894566	T bush	1	
19	AP8150204	Nut M4	1	
20	AP8120657	Hose clamp	1	

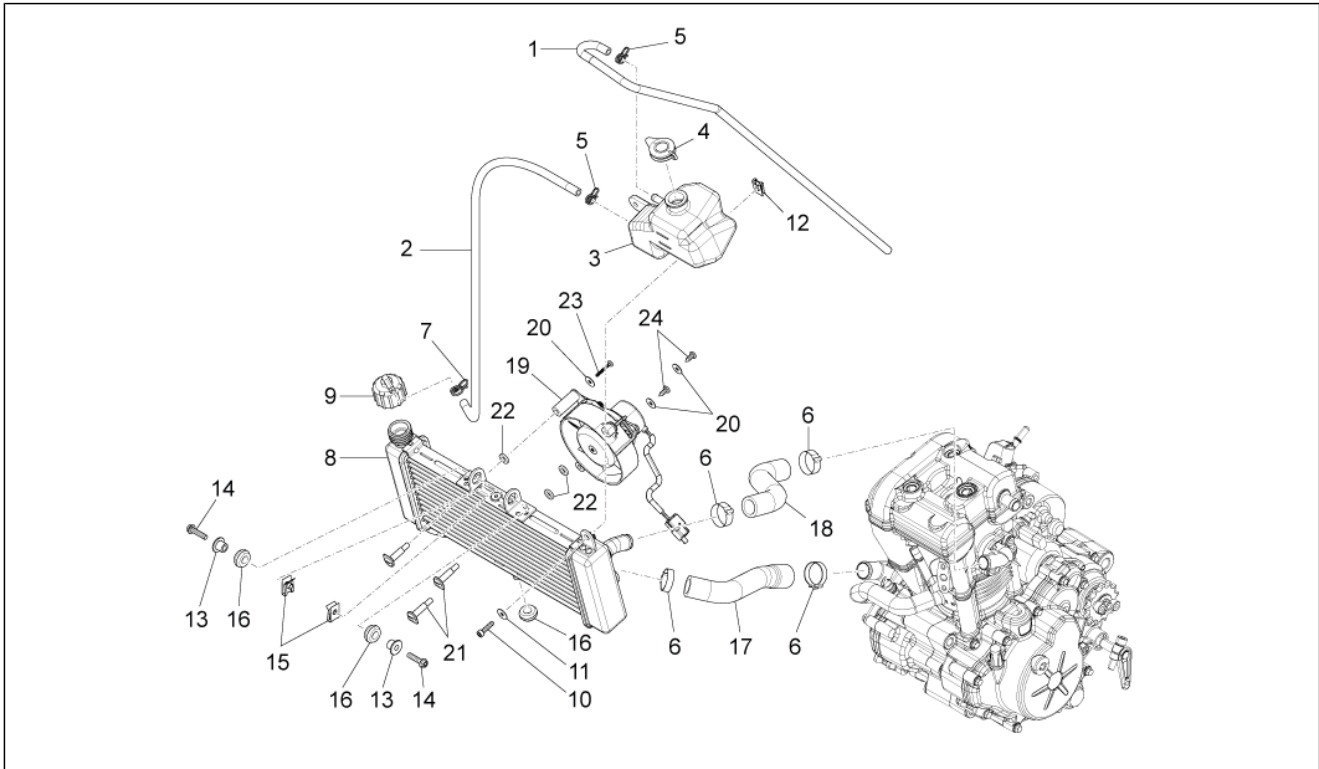
<b>Group</b>	Tank
<b>Code</b>	09.010
<b>Description</b>	Fuel tank
<b>Service</b>	1



Pos.	Code	Description	Qty	Variants
1	897759	Fuel tank	1	
2	640517	Fuel pump cpl.	1	
3	576546	Ring nut	1	
4	576542	Gasket	1	
5	897761	Fuel pipe	1	
6	B043773	Fuel level sensor	1	
7	AP8121324	Fuel tank fastener rod	1	

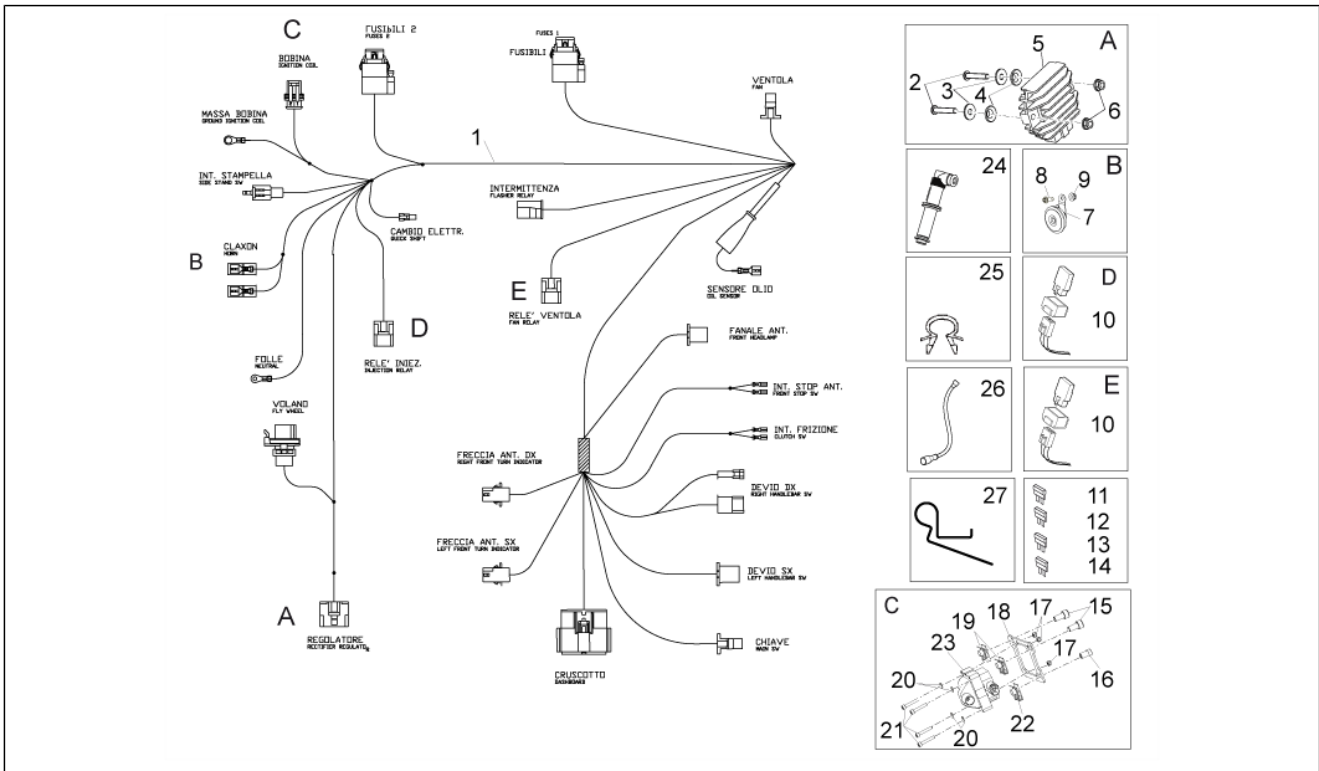


<b>Group</b>	Cooling system
<b>Code</b>	10.020
<b>Description</b>	Cooling system
<b>Service</b>	1



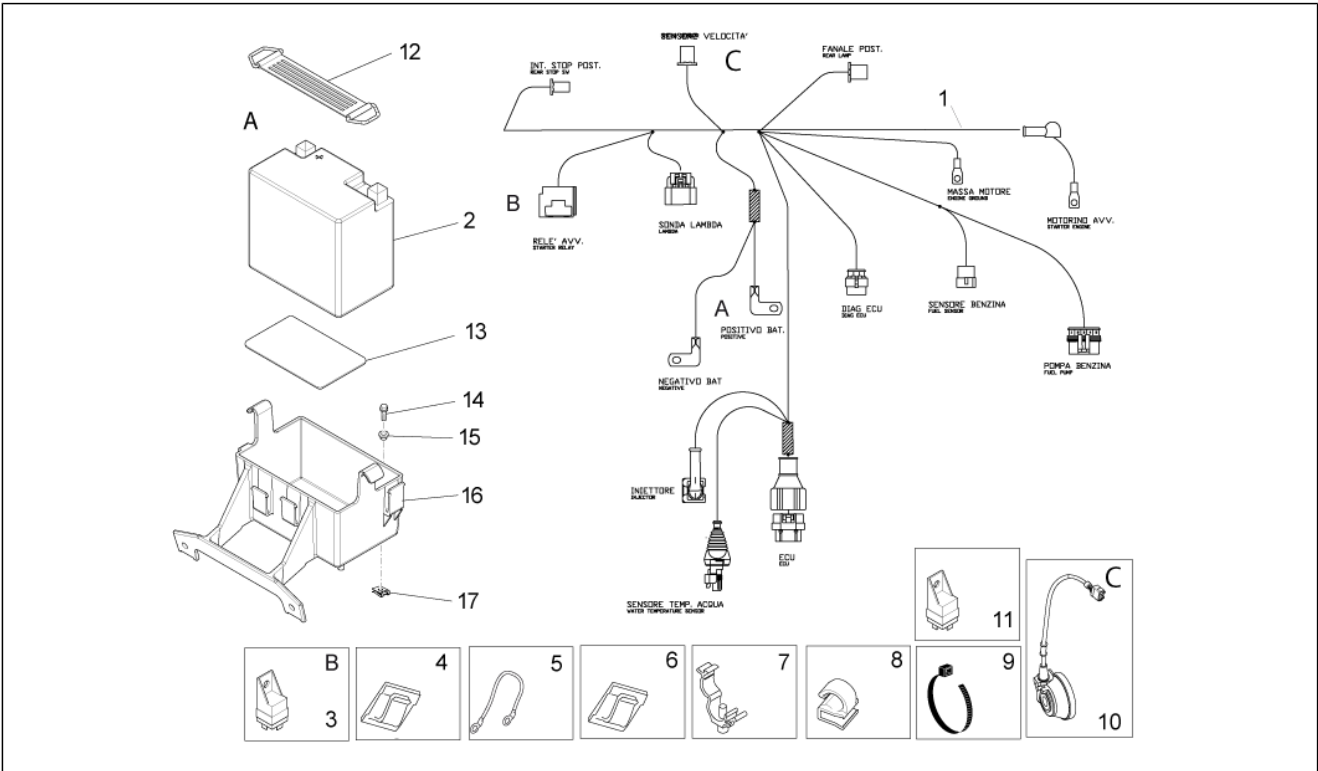
Pos.	Code	Description	Qty	Variants
1	864510	Breather pipe	1	
2	864572	Exp.tnk-rad. Hose	1	
3	866136	Coolant tank	1	
4	863943	Cover	1	
5	00A00410501	Hose clamp	2	
6	AP8101573	Hose clamp D16-24x8*	4	
7	AP8101595	Hose clamp D10,1	1	
8	867334	Water cooler	1	
9	861299	Cover	1	
10	AP8150044	Hex socket screw M6x20	1	
11	AP8150015	Washer 6,6x18x1,6*	1	
12	254485	Spring plate M6	1	
13	AP8121679	T bush *	2	
14	AP8152280	Screw w/ flange M6x25	2	
15	254485	Spring plate M6	2	
16	00008915020	Grommet	3	
17	865655	Water cooler-pump tube	1	
18	865654	Water cooler-head tube	1	
19	864049	Electric fan	1	
20	00H03800722	Washer	3	
21	AP8161118	Pin	3	
22	00003515370	Washer	3	
23	864164	screw	1	
24	00011142500	screw	2	

<b>Group</b>	Electrical systems
<b>Code</b>	11.010
<b>Description</b>	Front electrical system
<b>Service</b>	1



Pos.	Code	Description	Qty	Variants
1	898460	Main wiring harness	1	
2	AP8152128	Hex socket screw M6x30	2	
3	AP8150179	Washer 6,6x18*	2	
4	AP8121075	T bush *	2	
5	58090R	Voltage regulator	1	
6	AP8152299	Self-locking nut M6	2	
7	86135R	Horn	1	
8	AP8152286	Screw w/ flange M8x20	1	
9	AP8152300	Self-locking nut M8	1	
10	AP8224462	Relay 12V/30A	2	
11	CM225707	Fuse 7,5A	1	
12	CM225715	Fuse 15A	1	
13	CM225720	Fuse 20A	1	
14	CM225730	Fuse 30A	1	
15	AP8150211	Hex socket screw M8x16	2	
16	AP8152277	Screw w/ flange M6x12	1	
17	020003	Nut m3	4	
18	B043230	Coil holder	1	
19	575268	Spring plate M8	2	
20	012554	Washer 3.2x5.7x0.9	4	
21	583236	screw M3x20	4	
22	254485	Spring plate M6	1	
23	58120R	HT coil	1	
24	JC33510X94000	Scr. sparkplug cap	1	
25	AP8161203	Fairlead	1	
26	898067	HT wire	1	
27	B043850	Hose clamp	1	

<b>Group</b>	Electrical systems
<b>Code</b>	11.030
<b>Description</b>	Rear electrical system
<b>Service</b>	1



Pos.	Code	Description	Qty	Variants
1	898460	Main wiring harness	1	
2	584662	Battery (Yuasa) 12V-6Ah	1	
3	58115R	Starter relay 12V-80A	1	
4	AP8120581	Wiring clip	2	
5	AP8112458	Battery negative leads	1	
6	AP8120582	Cable-guide	2	
7	AP8134186	Cable-guide	1	
8	AP8201727	Black cable guide	2	
9	AP8102386	Hose clamp 155x2	2	
10	898626	Wheel speed sensor	1	
11	AP8124235	Flasher unit	1	
12	218812	Belt	1	
13	AP8117033	Adhesive sponge	0.24	
14	AP8152279	Screw w/ flange M6x20	1	
15	AP8121728	T bush *	1	
16	898363	Battery holder	1	
17	254485	Spring plate M6	1	