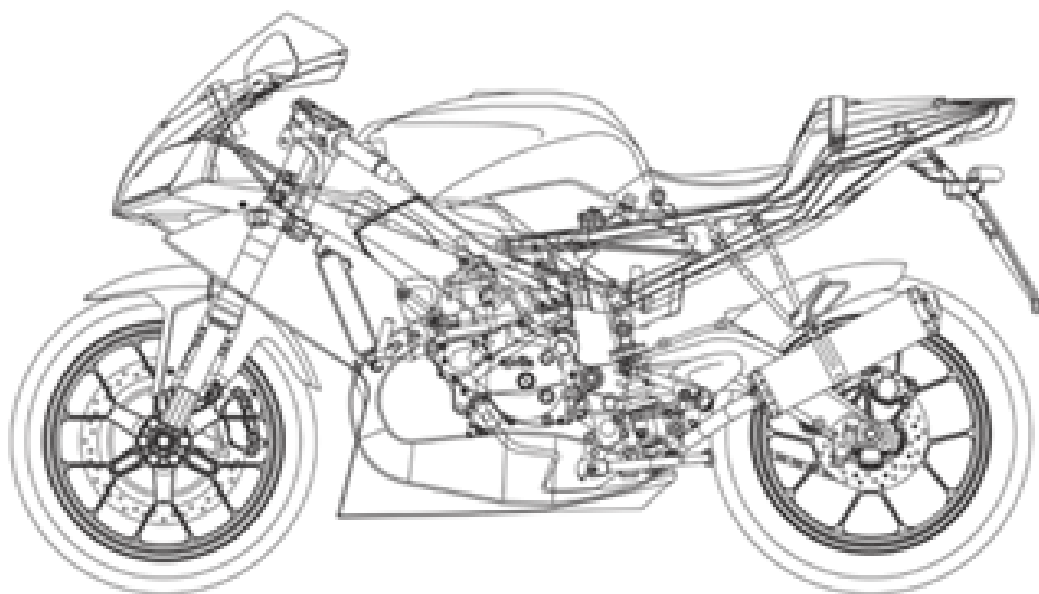




PIAGGIO & C.s.p.a.

**aprilia**

## SPARE PARTS CATALOGUE



### **RS 125 2006-2010**

Chassis prefix: ZD4PY, ZD4RD, ZD4RM

Engine prefix:

## Index

Finished products.....	4
Alphanumeric index.....	5
<b>FRAME.....</b>	<b>11</b>
Table 28.01 - Frame.....	11
Table 28.02 - Central stand.....	12
Table 28.03 - Front footrests.....	13
Table 28.04 - Rear footrests.....	14
Table 28.05 - Front fork.....	15
Table 28.06 - Swing arm.....	17
Table 28.07 - Rear shock absorber.....	18
Table 28.08 - Front body I.....	19
Table 28.09 - Front body II.....	26
Table 28.10 - Fuel tank.....	28
Table 28.11 - Central body.....	31
Table 28.12 - Saddle unit.....	40
Table 28.13 - Rear body I.....	43
Table 28.14 - Rear body II.....	47
Table 28.15 - Dashboard.....	49
Table 28.16 - RH controls.....	50
Table 28.17 - LH Controls.....	51
Table 28.18 - Water cooler.....	52
Table 28.19 - Air box.....	53
Table 28.20 - Secondary air.....	54
Table 28.21 - Oil tank.....	55
Table 28.27 - Exhaust unit.....	56
Table 28.28 - Front wheel.....	59
Table 28.29 - Front brake caliper.....	61
Table 28.30 - Rear wheel.....	62
Table 28.31 - Rear master cylinder.....	65
Table 28.32 - Rear brake caliper.....	66
Table 28.33 - Lights.....	67
Table 28.34 - Electrical system I.....	69
Table 28.35 - Electrical system II.....	70
Table 28.36 - Electrical system III.....	71
Table 28.37 - Lock hardware kit.....	74
Table 28.38 - Plate set and handbook.....	75
Table 28.39 - Decal.....	77
<b>ENGINE.....</b>	<b>79</b>
Table 29.22 - Carburettor I.....	79
Table 29.23 - Carburettor II.....	82
Table 29.24 - Carburettor III.....	84
Table 29.25 - Carburettor IIII.....	85
Table 29.26 - Engine.....	87

---

Table 29.40 - Crankcase.....	89
Table 29.41 - Water pump assy.....	90
Table 29.42 - Crankshaft - Balance shaft.....	91
Table 29.43 - Cylinder - Head - Piston.....	92
Table 29.44 - Carburettor flange.....	93
Table 29.45 - Cylinder - Exhaust valve.....	94
Table 29.46 - Transmission.....	96
Table 29.47 - Grip shift.....	97
Table 29.48 - Clutch.....	98
Table 29.49 - Clutch cover.....	99
Table 29.50 - Oil pump.....	100
Table 29.51 - Ignition unit.....	101

## Finished products

Code	Validity
AP6112203AC800	
AP6112203AC804	
AP6112203AC805	
AP6112203AC806	
AP6112203EA800	
AP6112203EA801	
AP6112203EA804	
AP6112203EA805	
AP6112203EA806	
AP6112203EB800	
AP6112203EB804	
AP6112203EB805	
AP6112203EB806	
AP6112203EB807	
AP6112203EC800	
AP6112203EC804	
AP6112203EC805	
AP6112203EC806	
AP6112203EC807	
AP6112300YC900	
AP6112300YC904	
AP6112400EAA11	
AP6112400EAAXX	
AP6112400EBA11	
AP6112400EBAXX	

Code	No. table	Pos.	Code	No. table	Pos.	Code	No. table	Pos.
0000000	28.28	12	854549	29.25	7	AP0227945	29.49	6
0000000	28.30	5	854569	28.20	10	AP0227945	29.51	1
0000000	29.48	11	854888	28.02	11	AP0229280	29.41	4
099315	29.23	4	854963	28.06	22	AP0229380	29.40	2
099315	29.23	4	855799	28.35	15	AP0229380	29.41	11
129953	28.33	14	856102	29.25	7	AP0229390	29.47	6
252945	28.34	4	856103	29.25	3	AP0230195	29.41	2
252945	28.36	4	856244	28.28	3	AP0230425	29.40	10
252945	28.36	4	856384	28.15	1	AP0230810	29.45	6
254485	28.01	9	856494	28.39	6	AP0230880	29.45	5
254485	28.12	10	856494	28.39	6	AP0232150	29.49	2
254485	28.15	6	856494	28.39	6	AP0232275	29.40	4
288878	29.23	5	856920	28.15	10	AP0232291	29.40	8
288878	29.23	5	858201	28.27	1	AP0232291	29.42	10
290860	28.34	5	858201	28.27	1	AP0232341	29.42	12
290860	28.36	5	858204	29.25	1	AP0232402	29.47	2
290860	28.36	5	858206	29.26	1	AP0232742	29.46	2
318604	29.24	8	858207	28.27	1	AP0232742	29.48	1
495357	28.34	6	858633	28.39	6	AP0232765	29.40	12
495357	28.36	6	860304	28.39	6	AP0234415	29.41	7
495357	28.36	6	860741	29.25	4	AP0234431	29.42	7
581142	28.19	13	860957	28.39	6	AP0234858	29.46	12
584810	28.35	1	860974	28.33	8	AP0234968	29.46	9
599501	28.05	19	860975	28.33	9	AP0234984	29.46	11
599502	28.05	21	866346	28.01	17	AP0236061	29.46	19
599504	28.05	18	890288	29.25	7	AP0236062	29.46	19
624522	28.10	26	890510	29.25	8	AP0236063	29.46	19
813174	29.22	2	890627	28.15	1	AP0236064	29.46	19
813174	29.22	2	890792	29.25	1	AP0236065	29.46	19
851753	28.08	1	890921	28.27	1	AP0237912	29.41	3
851757	28.34	25	890989	28.36	1	AP0237948	29.42	11
851762	28.12	15	890990	28.02	22	AP0239052	29.45	8
851763	28.08	12	893081	29.25	4	AP0239241	29.47	15
851763	28.08	13	893766	29.25	9	AP0239252	29.47	19
851790	28.02	16	893925	29.25	10	AP0239625	29.48	7
852142	28.38	3	895054	28.39	6	AP0239907	29.49	7
852143	28.38	2	895896	28.38	2	AP0239950	29.43	11
852144	29.25	1	895897	29.25	1	AP0240081	29.45	18
852145	28.27	1	896825	28.39	6	AP0240195	29.43	13
852146	28.36	1	896826	28.39	6	AP0240351	29.44	5
852149	28.20	8	897899	28.39	6	AP0240820	29.49	13
852151	28.08	2	899770	28.05	1	AP0241236	29.45	23
852152	28.08	3	AP0210345	29.51	17	AP0241270	29.41	9
852154	29.26	1	AP0211403	29.49	1	AP0241381	29.40	18
852154	29.26	1	AP0211440	29.50	10	AP0241770	29.48	10
852200	28.33	5	AP0211455	29.51	18	AP0241782	29.49	16
852352	28.39	6	AP0215672	29.43	17	AP0241793	29.49	4
852745	28.19	2	AP0216139	29.43	18	AP0241801	29.49	14
853034	28.27	2	AP0220280	29.46	8	AP0241821	29.40	16
853034	28.27	2	AP0220295	29.47	18	AP0241821	29.47	16
853034	28.27	2	AP0220300	29.46	1	AP0241930	29.43	15
853034	28.27	2	AP0222122	29.43	9	AP0241930	29.45	12
853979	28.39	6	AP0222175	29.43	10	AP0242515	29.42	5
854014	28.38	1	AP0222182	29.41	1	AP0242515	29.51	8
854015	28.38	1	AP0222195	29.41	6	AP0242706	29.45	13
854089	28.38	1	AP0222202	29.43	12	AP0244100	29.46	14
854531	29.26	27	AP0223385	29.43	4	AP0245570	29.47	10
854532	29.22	1	AP0223614	29.43	2	AP0245650	29.42	9
854540	29.25	2	AP0223614	29.45	2	AP0245650	29.46	18
854541	29.25	3	AP0224067	29.45	17	AP0245730	29.46	4
854541	29.25	3	AP0224260	29.40	3	AP0245790	29.47	3
854543	29.25	5	AP0224389	29.44	2	AP0246570	29.42	8
854543	29.25	5	AP0224430	29.44	3	AP0247555	29.40	7
854543	29.25	5	AP0227280	29.42	13	AP0248326	29.47	13
854544	29.25	6	AP0227430	29.46	16	AP0250160	29.43	3
854544	29.25	6	AP0227451	29.47	22	AP0250206	29.49	10
854544	29.25	6	AP0227710	29.47	14	AP0250271	29.45	15

Code	No. table	Pos.	Code	No. table	Pos.	Code	No. table	Pos.
AP0250280	29.43	14	AP0430782	29.43	7	AP8101573	28.10	7
AP0250455	29.49	9	AP0440113	29.44	10	AP8101586	28.20	5
AP0250521	29.44	1	AP0613101	29.43	8	AP8101743	28.18	15
AP0250641	29.49	15	AP0632010	29.40	5	AP8101743	28.21	8
AP0250890	29.49	12	AP0632060	29.47	4	AP8101861	28.04	9
AP0250890	29.50	7	AP0634035	29.41	10	AP8101890	28.10	25
AP0250975	29.45	7	AP0634065	29.46	15	AP8101910	28.18	2
AP0251080	29.50	4	AP0634085	29.46	7	AP8101912	28.18	1
AP0251850	29.44	8	AP0634095	29.46	5	AP8101916	28.18	5
AP0253373	29.45	19	AP0634105	29.46	6	AP8101924	28.18	4
AP0253465	29.45	4	AP0634115	29.46	10	AP8101927	28.18	19
AP0253500	29.45	20	AP0634125	29.46	3	AP8101944	28.21	6
AP0253722	29.45	3	AP0634135	29.46	13	AP8102080	28.19	4
AP0256037	29.50	5	AP0640190	29.40	17	AP8102112	28.18	8
AP0256408	29.50	2	AP0650095	29.43	1	AP8102118	28.18	9
AP0256410	29.50	3	AP0650095	29.45	1	AP8102223	28.21	5
AP0258118	29.47	8	AP0650096	29.43	1	AP8102224	28.21	4
AP0258128	29.47	7	AP0650096	29.45	1	AP8102341	28.08	6
AP0258138	29.47	5	AP0650097	29.43	1	AP8102375	28.01	10
AP0258200	29.47	9	AP0650097	29.45	1	AP8102375	28.09	9
AP0258305	29.47	1	AP0650131	29.40	14	AP8102375	28.11	10
AP0259053	29.48	4	AP0827261	29.47	21	AP8102375	28.13	8
AP0259165	29.48	8	AP0827305	29.47	11	AP8102375	28.14	17
AP0259325	29.49	3	AP0827307	29.47	17	AP8102375	28.14	17
AP0259420	29.48	9	AP0827590	29.41	5	AP8102375	28.21	11
AP0259470	29.48	6	AP0827961	29.45	21	AP8102375	28.33	7
AP0259559	29.48	5	AP0832533	29.42	2	AP8102381	28.33	10
AP0259570	29.48	3	AP0840510	29.50	8	AP8102401	28.19	9
AP0260030	29.50	6	AP0840511	29.50	11	AP8102432	28.27	12
AP0260840	29.51	10	AP0840861	29.44	7	AP8102502	28.12	4
AP0265157	29.51	5	AP0840861	29.45	22	AP8102524	28.02	5
AP0265402	29.51	11	AP0840880	29.47	12	AP8102632	28.08	2
AP0265405	29.51	11	AP0840880	29.49	11	AP8102632	28.08	2
AP0265415	29.51	12	AP0840880	29.51	6	AP8102633	28.08	3
AP0267918	29.44	6	AP0841685	29.49	8	AP8102633	28.08	3
AP0273970	29.45	16	AP0845020	29.45	11	AP8102670	28.19	8
AP0281210	29.46	21	AP0853845	29.50	9	AP8102704	28.18	11
AP0293314	29.40	22	AP0860460	29.45	10	AP8102798	28.01	13
AP0293318	29.40	21	AP0866708	29.51	13	AP8102909	28.08	5
AP0293417	29.41	13	AP0897161	29.41	12	AP8102913	28.37	7
AP0294735	29.50	1	AP0897161	29.51	21	AP8102950	28.37	14
AP0294744	29.43	16	AP0899785	29.42	15	AP8104474	28.27	6
AP0294745	29.43	16	AP0899785	29.50	12	AP8104597	28.05	5
AP0294753	29.43	16	AP0899785	29.51	19	AP8104708	28.37	3
AP0294754	29.43	16	AP0899788	29.40	19	AP8104710	28.37	4
AP0294800	29.51	15	AP0899788	29.42	19	AP8104745	28.20	1
AP0294810	29.51	2	AP0899788	29.44	9	AP8104916	28.37	1
AP0295365	29.51	20	AP0899788	29.45	24	AP8104917	28.38	1
AP0295375	29.42	1	AP0899788	29.51	16	AP8104934	28.38	1
AP0295379	29.42	17	AP0924150	29.40	6	AP8104935	28.38	1
AP0295406	29.48	2	AP0930675	29.40	11	AP8104995	28.37	5
AP0295670	29.51	3	AP0932028	29.42	16	AP8104997	28.16	8
AP0295677	29.51	4	AP0932032	29.40	9	AP8104998	28.31	2
AP0296199	29.40	1	AP0940315	29.42	14	AP8106013	29.26	4
AP0297386	29.40	20	AP0940487	29.43	6	AP8106013	29.26	4
AP0297386	29.51	22	AP0940786	29.40	13	AP8106013	29.26	4
AP0297434	29.42	18	AP0941925	29.51	9	AP8106696	29.24	1
AP0297434	29.45	14	AP0942671	29.49	5	AP8106697	29.22	9
AP0297434	29.46	20	AP0945635	29.43	19	AP8106697	29.22	9
AP0297746	29.45	9	AP0945752	29.43	5	AP8106722	29.23	9
AP0297830	29.51	14	AP0945754	29.42	4	AP8106722	29.23	9
AP0427590	29.42	3	AP0945754	29.51	7	AP8106723	29.23	8
AP0427591	29.42	3	AP0945758	29.44	4	AP8106723	29.23	8
AP0427690	29.47	20	AP0950141	29.40	15	AP8106724	29.24	1
AP0430060	29.41	8	AP8101271	28.05	9	AP8106728	29.24	4
AP0430460	29.42	6	AP8101285	28.27	3	AP8106729	29.23	9
AP0430460	29.46	17	AP8101341	28.06	3	AP8106729	29.23	9

Code	No. table	Pos.	Code	No. table	Pos.	Code	No. table	Pos.
AP8106778	29.22	9	AP8113004	28.32	4	AP8120816	28.34	16
AP8106779	29.22	8	AP8114272	28.16	14	AP8120869	28.10	14
AP8106779	29.22	8	AP8114320	28.16	6	AP8120910	28.04	6
AP8106780	29.24	2	AP8114331	28.17	8	AP8120912	29.26	8
AP8106782	29.24	7	AP8114332	28.16	13	AP8120937	28.12	14
AP8106783	29.22	4	AP8114467	28.17	7	AP8120937	28.13	10
AP8106783	29.22	4	AP8117073	28.10	24	AP8120946	28.18	7
AP8106784	29.22	10	AP8117111	28.19	7	AP8120997	28.19	1
AP8106784	29.22	10	AP8117269	28.11	13	AP8121014	28.02	6
AP8106785	29.22	5	AP8117270	28.11	14	AP8121058	28.27	10
AP8106785	29.22	5	AP8117271	28.11	12	AP8121091	28.27	4
AP8106786	29.22	6	AP8117272	28.11	11	AP8121114	28.10	10
AP8106786	29.22	6	AP8118287	28.16	3	AP8121118	28.31	10
AP8106787	29.23	6	AP8118287	28.17	3	AP8121121	28.06	5
AP8106787	29.23	6	AP8118307	28.16	7	AP8121133	28.04	8
AP8106788	29.23	7	AP8118308	28.17	9	AP8121134	28.03	7
AP8106788	29.23	7	AP8118516	28.34	18	AP8121147	28.31	12
AP8106790	29.23	1	AP8118716	28.17	1	AP8121147	29.26	21
AP8106790	29.23	1	AP8118727	28.17	2	AP8121151	28.01	11
AP8106791	29.24	6	AP8118728	28.17	4	AP8121151	28.07	21
AP8106792	29.24	5	AP8118729	28.16	19	AP8121155	28.01	12
AP8106793	29.24	3	AP8118729	28.17	12	AP8121155	28.07	22
AP8106794	29.23	3	AP8118730	28.16	5	AP8121156	28.06	21
AP8106794	29.23	3	AP8118731	28.16	10	AP8121163	29.26	7
AP8106795	29.23	2	AP8119745	28.27	2	AP8121184	28.08	8
AP8106795	29.23	2	AP8119751	28.27	1	AP8121284	28.31	11
AP8106796	29.22	11	AP8119833	28.27	1	AP8121284	29.26	9
AP8106796	29.22	11	AP8119869	28.27	2	AP8121324	28.10	8
AP8106796	29.23	10	AP8119880	28.27	1	AP8121566	28.03	14
AP8106796	29.23	10	AP8119880	28.27	1	AP8121581	28.06	20
AP8106796	29.24	9	AP8119881	28.27	12	AP8121672	28.03	12
AP8106950	29.26	1	AP8119889	28.27	1	AP8121697	28.06	14
AP8106950	29.26	1	AP8120001	28.12	7	AP8121697	28.07	14
AP8107110	28.30	3	AP8120030	28.13	9	AP8121697	28.31	19
AP8107135	28.30	16	AP8120030	28.18	13	AP8121697	29.26	24
AP8107165	28.30	11	AP8120030	28.35	6	AP8121728	28.03	18
AP8107165	28.30	11	AP8120177	28.14	7	AP8121731	28.35	8
AP8107166	28.30	19	AP8120271	28.17	14	AP8121736	28.35	17
AP8107171	29.26	2	AP8120275	29.26	25	AP8121764	28.01	14
AP8110024	28.05	8	AP8120280	28.06	7	AP8121764	28.35	13
AP8110025	28.05	7	AP8120405	28.35	20	AP8121795	28.11	9
AP8110053	29.26	6	AP8120405	29.26	26	AP8121819	28.10	13
AP8110063	28.07	17	AP8120422	28.32	12	AP8121835	28.31	9
AP8110064	28.07	16	AP8120485	28.07	12	AP8121845	28.07	19
AP8110067	28.06	4	AP8120531	28.01	8	AP8121846	28.07	18
AP8110068	28.07	13	AP8120531	28.06	15	AP8121847	28.07	20
AP8110107	28.28	5	AP8120536	28.18	20	AP8121852	28.06	25
AP8110107	28.30	7	AP8120557	28.10	9	AP8121890	28.30	22
AP8110109	28.28	6	AP8120568	28.03	13	AP8121939	28.03	8
AP8112458	28.35	9	AP8120569	28.03	11	AP8121940	28.03	9
AP8112460	28.34	17	AP8120582	28.35	7	AP8121999	28.02	3
AP8112460	28.36	16	AP8120670	28.01	5	AP8123199	28.05	20
AP8112460	28.36	16	AP8120708	29.26	3	AP8123346	28.05	13
AP8112567	28.34	15	AP8120709	28.10	4	AP8123355	28.05	16
AP8112568	28.34	22	AP8120748	28.19	1	AP8123357	28.05	15
AP8112906	28.34	2	AP8120754	28.34	8	AP8123441	28.05	14
AP8112906	28.36	2	AP8120754	28.36	8	AP8123689	28.05	17
AP8112906	28.36	2	AP8120754	28.36	8	AP8123691	28.05	22
AP8112916	28.14	8	AP8120786	28.18	10	AP8123853	28.07	1
AP8112942	28.34	7	AP8120787	28.18	3	AP8123878	28.05	12
AP8112942	28.36	7	AP8120790	28.18	6	AP8123879	28.05	10
AP8112942	28.36	7	AP8120793	28.06	9	AP8124117	28.35	4
AP8113003	28.16	17	AP8120794	28.06	10	AP8124119	28.34	13
AP8113003	28.32	5	AP8120806	28.06	23	AP8124119	28.36	13
AP8113004	28.16	18	AP8120807	28.06	24	AP8124119	28.36	13
AP8113004	28.29	4	AP8120810	28.19	6	AP8124152	28.17	11
AP8113004	28.31	5	AP8120812	28.27	18	AP8124437	28.10	18

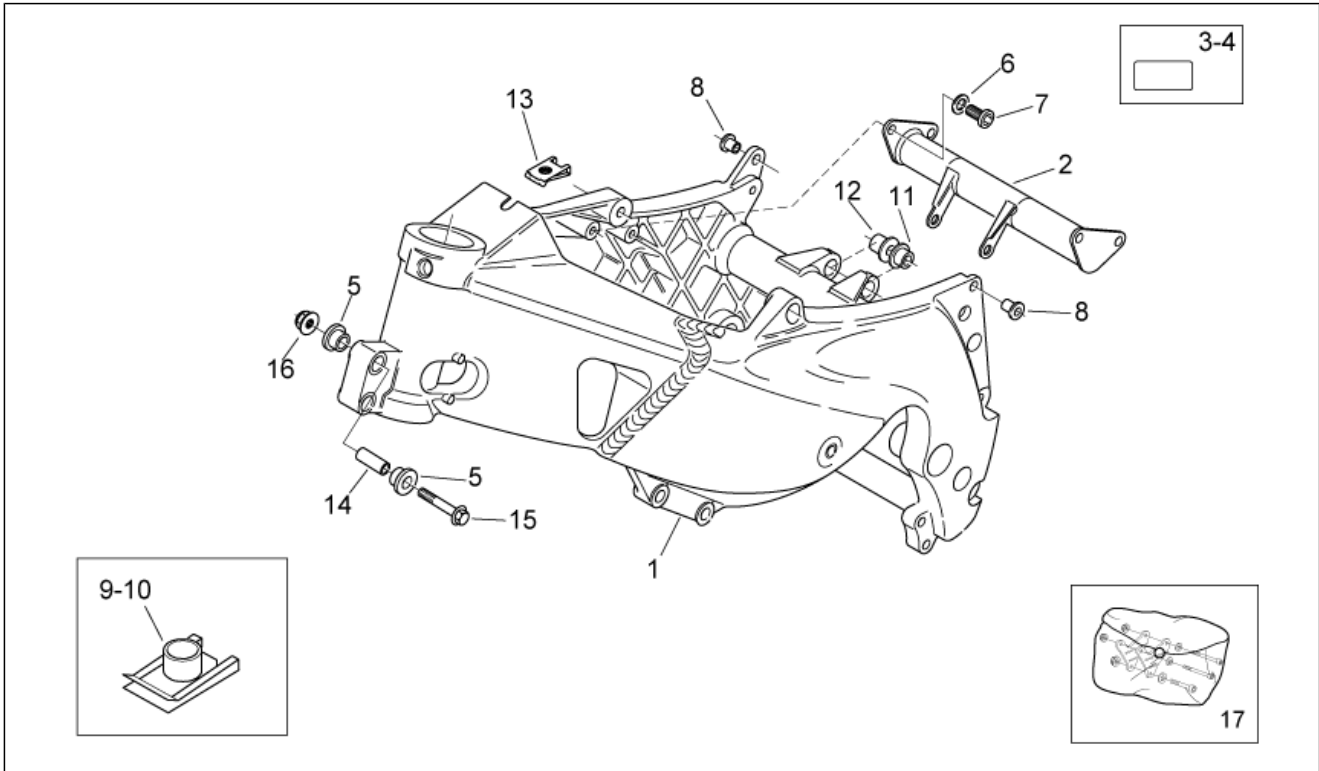
Code	No. table	Pos.	Code	No. table	Pos.	Code	No. table	Pos.
AP8124479	<a href="#">28.31</a>	4	AP8129458	<a href="#">28.12</a>	3	AP8145067	<a href="#">28.01</a>	1
AP8124487	<a href="#">28.34</a>	20	AP8129458	<a href="#">28.12</a>	3	AP8146087	<a href="#">28.02</a>	9
AP8124487	<a href="#">28.36</a>	15	AP8129493	<a href="#">28.12</a>	1	AP8146088	<a href="#">28.02</a>	10
AP8124487	<a href="#">28.36</a>	15	AP8129493	<a href="#">28.12</a>	1	AP8146162	<a href="#">28.18</a>	12
AP8124914	<a href="#">28.16</a>	4	AP8129493	<a href="#">28.12</a>	1	AP8146373	<a href="#">28.03</a>	4
AP8124915	<a href="#">28.17</a>	10	AP8129493	<a href="#">28.12</a>	1	AP8146374	<a href="#">28.03</a>	3
AP8124943	<a href="#">28.34</a>	24	AP8129494	<a href="#">28.12</a>	2	AP8146608	<a href="#">28.27</a>	5
AP8125418	<a href="#">28.28</a>	11	AP8129494	<a href="#">28.12</a>	2	AP8150013	<a href="#">28.35</a>	18
AP8125627	<a href="#">28.06</a>	2	AP8129495	<a href="#">28.12</a>	3	AP8150014	<a href="#">28.03</a>	17
AP8125645	<a href="#">28.30</a>	6	AP8129522	<a href="#">28.12</a>	1	AP8150014	<a href="#">28.10</a>	21
AP8125687	<a href="#">28.28</a>	10	AP8129523	<a href="#">28.12</a>	2	AP8150015	<a href="#">28.02</a>	2
AP8125763	<a href="#">28.06</a>	26	AP8129524	<a href="#">28.12</a>	2	AP8150017	<a href="#">28.01</a>	6
AP8125763	<a href="#">28.28</a>	11	AP8131121	<a href="#">28.19</a>	3	AP8150017	<a href="#">28.02</a>	21
AP8125841	<a href="#">28.30</a>	13	AP8131256	<a href="#">28.35</a>	2	AP8150017	<a href="#">28.27</a>	16
AP8125841	<a href="#">28.30</a>	8	AP8131623	<a href="#">28.06</a>	8	AP8150017	<a href="#">28.31</a>	16
AP8125842	<a href="#">28.28</a>	7	AP8132634	<a href="#">28.07</a>	2	AP8150017	<a href="#">28.33</a>	12
AP8125842	<a href="#">28.30</a>	9	AP8132635	<a href="#">28.31</a>	8	AP8150019	<a href="#">28.03</a>	22
AP8125869	<a href="#">28.30</a>	12	AP8132720	<a href="#">28.04</a>	4	AP8150020	<a href="#">28.07</a>	6
AP8125890	<a href="#">28.28</a>	3	AP8132812	<a href="#">28.04</a>	5	AP8150026	<a href="#">28.18</a>	18
AP8125950	<a href="#">28.30</a>	1	AP8132869	<a href="#">28.35</a>	19	AP8150026	<a href="#">28.31</a>	6
AP8125951	<a href="#">28.30</a>	2	AP8133781	<a href="#">28.28</a>	1	AP8150026	<a href="#">29.26</a>	23
AP8125962	<a href="#">28.30</a>	11	AP8133838	<a href="#">28.16</a>	12	AP8150044	<a href="#">29.26</a>	18
AP8125962	<a href="#">28.30</a>	11	AP8133841	<a href="#">28.29</a>	1	AP8150049	<a href="#">28.16</a>	9
AP8125962	<a href="#">28.30</a>	11	AP8133843	<a href="#">28.31</a>	1	AP8150049	<a href="#">28.17</a>	13
AP8125962	<a href="#">28.30</a>	11	AP8133845	<a href="#">28.32</a>	6	AP8150050	<a href="#">28.10</a>	17
AP8126115	<a href="#">28.14</a>	2	AP8133884	<a href="#">28.31</a>	3	AP8150050	<a href="#">28.37</a>	8
AP8127098	<a href="#">28.14</a>	13	AP8133884	<a href="#">28.32</a>	11	AP8150107	<a href="#">28.03</a>	23
AP8127305	<a href="#">28.16</a>	11	AP8133885	<a href="#">28.16</a>	16	AP8150158	<a href="#">28.08</a>	14
AP8127309	<a href="#">28.36</a>	3	AP8133885	<a href="#">28.29</a>	2	AP8150158	<a href="#">28.14</a>	16
AP8127309	<a href="#">28.36</a>	3	AP8133943	<a href="#">28.29</a>	7	AP8150169	<a href="#">28.01</a>	7
AP8127391	<a href="#">28.34</a>	3	AP8133944	<a href="#">28.29</a>	6	AP8150170	<a href="#">28.04</a>	12
AP8127656	<a href="#">28.33</a>	8	AP8133945	<a href="#">28.29</a>	5	AP8150176	<a href="#">28.02</a>	14
AP8127657	<a href="#">28.33</a>	9	AP8133946	<a href="#">28.32</a>	7	AP8150177	<a href="#">28.02</a>	15
AP8127668	<a href="#">28.32</a>	1	AP8133947	<a href="#">28.32</a>	9	AP8150179	<a href="#">28.14</a>	11
AP8127745	<a href="#">28.34</a>	1	AP8133948	<a href="#">28.32</a>	8	AP8150202	<a href="#">28.10</a>	12
AP8127745	<a href="#">28.36</a>	1	AP8134243	<a href="#">28.03</a>	6	AP8150204	<a href="#">28.14</a>	9
AP8127746	<a href="#">28.33</a>	6	AP8134348	<a href="#">28.35</a>	3	AP8150208	<a href="#">28.28</a>	10
AP8127748	<a href="#">28.33</a>	1	AP8134437	<a href="#">28.14</a>	5	AP8150211	<a href="#">28.37</a>	13
AP8127750	<a href="#">28.33</a>	2	AP8134829	<a href="#">28.04</a>	3	AP8150220	<a href="#">28.05</a>	25
AP8127847	<a href="#">28.34</a>	10	AP8134949	<a href="#">28.37</a>	6	AP8150220	<a href="#">28.37</a>	12
AP8127847	<a href="#">28.36</a>	10	AP8135289	<a href="#">28.27</a>	5	AP8150221	<a href="#">28.03</a>	21
AP8127847	<a href="#">28.36</a>	10	AP8135313	<a href="#">28.03</a>	5	AP8150236	<a href="#">28.02</a>	20
AP8127856	<a href="#">28.02</a>	13	AP8135362	<a href="#">28.07</a>	3	AP8150236	<a href="#">28.05</a>	26
AP8127916	<a href="#">28.19</a>	13	AP8135396	<a href="#">28.06</a>	13	AP8150248	<a href="#">28.10</a>	19
AP8128143	<a href="#">28.28</a>	13	AP8135448	<a href="#">28.35</a>	5	AP8150277	<a href="#">28.27</a>	15
AP8128143	<a href="#">28.28</a>	13	AP8135718	<a href="#">28.01</a>	2	AP8150280	<a href="#">28.33</a>	12
AP8128145	<a href="#">28.30</a>	10	AP8135719	<a href="#">29.26</a>	11	AP8150287	<a href="#">28.07</a>	4
AP8128145	<a href="#">28.30</a>	10	AP8135720	<a href="#">29.26</a>	12	AP8150297	<a href="#">28.06</a>	19
AP8128212	<a href="#">28.28</a>	13	AP8135726	<a href="#">29.26</a>	10	AP8150299	<a href="#">28.06</a>	6
AP8128212	<a href="#">28.28</a>	13	AP8135786	<a href="#">29.26</a>	13	AP8150310	<a href="#">28.07</a>	9
AP8128212	<a href="#">28.28</a>	13	AP8135787	<a href="#">29.26</a>	14	AP8150310	<a href="#">29.26</a>	17
AP8128212	<a href="#">28.28</a>	13	AP8135961	<a href="#">28.06</a>	1	AP8150311	<a href="#">28.02</a>	17
AP8128212	<a href="#">28.28</a>	13	AP8140710	<a href="#">28.37</a>	2	AP8150314	<a href="#">28.10</a>	20
AP8128214	<a href="#">28.30</a>	10	AP8141132	<a href="#">28.20</a>	11	AP8150324	<a href="#">28.16</a>	2
AP8128214	<a href="#">28.30</a>	10	AP8144159	<a href="#">28.10</a>	6	AP8150324	<a href="#">28.17</a>	6
AP8128214	<a href="#">28.30</a>	10	AP8144177	<a href="#">28.10</a>	23	AP8150336	<a href="#">28.07</a>	10
AP8128214	<a href="#">28.30</a>	10	AP8144529	<a href="#">28.33</a>	17	AP8150346	<a href="#">28.07</a>	11
AP8128214	<a href="#">28.30</a>	10	AP8144564	<a href="#">28.08</a>	11	AP8150349	<a href="#">28.37</a>	10
AP8128240	<a href="#">28.28</a>	13	AP8144565	<a href="#">28.08</a>	7	AP8150351	<a href="#">28.27</a>	9
AP8128242	<a href="#">28.30</a>	10	AP8144670	<a href="#">28.20</a>	2	AP8150362	<a href="#">28.14</a>	14
AP8128244	<a href="#">28.30</a>	11	AP8144671	<a href="#">28.20</a>	3	AP8150376	<a href="#">28.27</a>	8
AP8129456	<a href="#">28.12</a>	1	AP8144672	<a href="#">28.20</a>	4	AP8150382	<a href="#">28.15</a>	2
AP8129457	<a href="#">28.12</a>	2	AP8144686	<a href="#">28.30</a>	15	AP8150412	<a href="#">29.26</a>	15
AP8129457	<a href="#">28.12</a>	2	AP8145001	<a href="#">28.04</a>	11	AP8150413	<a href="#">28.08</a>	10
AP8129457	<a href="#">28.12</a>	2	AP8145003	<a href="#">28.15</a>	5	AP8150413	<a href="#">28.14</a>	6
AP8129458	<a href="#">28.12</a>	3	AP8145056	<a href="#">28.02</a>	19	AP8150426	<a href="#">28.18</a>	22
AP8129458	<a href="#">28.12</a>	3	AP8145057	<a href="#">28.02</a>	9	AP8150430	<a href="#">28.03</a>	16



Code	No. table	Pos.	Code	No. table	Pos.	Code	No. table	Pos.
AP8150430	<a href="#">28.31</a>	14	AP8152298	<a href="#">28.13</a>	6	AP8176043	<a href="#">29.22</a>	8
AP8150430	<a href="#">28.37</a>	18	AP8152298	<a href="#">28.14</a>	15	AP8176045	<a href="#">29.26</a>	1
AP8150430	<a href="#">29.26</a>	19	AP8152298	<a href="#">28.14</a>	15	AP8176132	<a href="#">29.24</a>	4
AP8150431	<a href="#">28.04</a>	13	AP8152298	<a href="#">28.21</a>	10	AP8176132	<a href="#">29.25</a>	4
AP8150431	<a href="#">28.07</a>	8	AP8152298	<a href="#">28.33</a>	11	AP8176198	<a href="#">29.22</a>	1
AP8150431	<a href="#">28.27</a>	11	AP8152299	<a href="#">28.01</a>	16	AP8176207	<a href="#">29.22</a>	1
AP8150431	<a href="#">28.31</a>	15	AP8152299	<a href="#">28.10</a>	22	AP8176207	<a href="#">29.22</a>	1
AP8150432	<a href="#">28.07</a>	15	AP8152299	<a href="#">28.12</a>	9	AP8177979	<a href="#">28.06</a>	27
AP8150436	<a href="#">28.31</a>	18	AP8152299	<a href="#">28.15</a>	8	AP8178561	<a href="#">28.19</a>	5
AP8150436	<a href="#">29.26</a>	16	AP8152299	<a href="#">28.19</a>	12	AP8179173	<a href="#">28.03</a>	1
AP8150444	<a href="#">28.13</a>	7	AP8152299	<a href="#">28.27</a>	17	AP8179174	<a href="#">28.04</a>	1
AP8150450	<a href="#">28.11</a>	7	AP8152299	<a href="#">28.31</a>	21	AP8179175	<a href="#">28.04</a>	2
AP8150450	<a href="#">28.19</a>	10	AP8152299	<a href="#">28.34</a>	19	AP8179179	<a href="#">28.10</a>	1
AP8150451	<a href="#">28.06</a>	18	AP8152299	<a href="#">28.37</a>	17	AP8179182	<a href="#">28.09</a>	3
AP8150468	<a href="#">28.30</a>	23	AP8152300	<a href="#">28.02</a>	8	AP8179183	<a href="#">28.08</a>	1
AP8150509	<a href="#">28.14</a>	18	AP8152300	<a href="#">28.03</a>	20	AP8179184	<a href="#">28.09</a>	1
AP8150509	<a href="#">28.15</a>	3	AP8152300	<a href="#">28.04</a>	14	AP8179185	<a href="#">28.09</a>	2
AP8150523	<a href="#">28.37</a>	9	AP8152300	<a href="#">28.27</a>	7	AP8179186	<a href="#">28.12</a>	12
AP8150525	<a href="#">28.37</a>	15	AP8152301	<a href="#">28.07</a>	5	AP8179188	<a href="#">28.08</a>	12
AP8152001	<a href="#">28.02</a>	7	AP8152306	<a href="#">28.10</a>	15	AP8179188	<a href="#">28.08</a>	12
AP8152111	<a href="#">28.07</a>	7	AP8152306	<a href="#">28.33</a>	13	AP8179189	<a href="#">28.08</a>	13
AP8152112	<a href="#">28.27</a>	13	AP8152339	<a href="#">28.03</a>	19	AP8179189	<a href="#">28.08</a>	13
AP8152138	<a href="#">29.26</a>	22	AP8152351	<a href="#">28.09</a>	6	AP8179190	<a href="#">28.11</a>	3
AP8152153	<a href="#">28.10</a>	5	AP8152409	<a href="#">28.03</a>	10	AP8179191	<a href="#">28.11</a>	4
AP8152176	<a href="#">28.31</a>	17	AP8152409	<a href="#">28.04</a>	7	AP8179192	<a href="#">28.11</a>	5
AP8152184	<a href="#">28.18</a>	14	AP8152414	<a href="#">28.29</a>	3	AP8179193	<a href="#">28.11</a>	6
AP8152246	<a href="#">28.08</a>	9	AP8152473	<a href="#">28.30</a>	20	AP8179194	<a href="#">28.11</a>	2
AP8152246	<a href="#">28.12</a>	11	AP8154015	<a href="#">28.32</a>	3	AP8179195	<a href="#">28.11</a>	1
AP8152246	<a href="#">28.15</a>	7	AP8154016	<a href="#">28.27</a>	14	AP8179196	<a href="#">28.13</a>	1
AP8152261	<a href="#">28.06</a>	11	AP8156209	<a href="#">28.09</a>	4	AP8179197	<a href="#">28.13</a>	3
AP8152262	<a href="#">28.06</a>	12	AP8156253	<a href="#">28.14</a>	10	AP8179198	<a href="#">28.14</a>	3
AP8152262	<a href="#">28.33</a>	13	AP8156257	<a href="#">28.09</a>	4	AP8179199	<a href="#">28.14</a>	1
AP8152267	<a href="#">28.06</a>	16	AP8156273	<a href="#">28.09</a>	4	AP8179200	<a href="#">28.13</a>	2
AP8152268	<a href="#">28.06</a>	17	AP8156289	<a href="#">28.09</a>	4	AP8179201	<a href="#">28.12</a>	5
AP8152277	<a href="#">28.16</a>	15	AP8156289	<a href="#">28.09</a>	4	AP8179202	<a href="#">28.14</a>	4
AP8152277	<a href="#">28.18</a>	21	AP8156289	<a href="#">28.09</a>	4	AP8179269	<a href="#">28.13</a>	4
AP8152277	<a href="#">28.20</a>	6	AP8156351	<a href="#">28.09</a>	4	AP8179270	<a href="#">28.09</a>	5
AP8152277	<a href="#">28.35</a>	16	AP8156351	<a href="#">28.09</a>	4	AP8179271	<a href="#">28.33</a>	15
AP8152278	<a href="#">28.09</a>	7	AP8156377	<a href="#">28.09</a>	4	AP8179288	<a href="#">28.12</a>	13
AP8152278	<a href="#">28.12</a>	8	AP8156386	<a href="#">28.09</a>	4	AP8179343	<a href="#">28.10</a>	16
AP8152278	<a href="#">28.14</a>	12	AP8156387	<a href="#">28.09</a>	4	AP8179344	<a href="#">28.03</a>	2
AP8152278	<a href="#">28.18</a>	17	AP8156388	<a href="#">28.09</a>	4	AP8179394	<a href="#">28.10</a>	2
AP8152278	<a href="#">28.20</a>	7	AP8157086	<a href="#">28.01</a>	3	AP8179395	<a href="#">28.21</a>	1
AP8152278	<a href="#">28.31</a>	20	AP8157087	<a href="#">28.01</a>	4	AP8179520	<a href="#">28.10</a>	1
AP8152278	<a href="#">28.32</a>	2	AP8157098	<a href="#">28.39</a>	6	AP8179521	<a href="#">28.11</a>	1
AP8152278	<a href="#">28.35</a>	10	AP8157770	<a href="#">28.05</a>	27	AP8179522	<a href="#">28.11</a>	2
AP8152278	<a href="#">28.37</a>	11	AP8161057	<a href="#">28.16</a>	1	AP8179527	<a href="#">28.08</a>	12
AP8152279	<a href="#">28.02</a>	1	AP8161057	<a href="#">28.17</a>	5	AP8179528	<a href="#">28.08</a>	13
AP8152279	<a href="#">28.19</a>	11	AP8161079	<a href="#">28.30</a>	14	AP8179682	<a href="#">28.11</a>	1
AP8152279	<a href="#">28.34</a>	21	AP8161080	<a href="#">28.28</a>	4	AP8179683	<a href="#">28.11</a>	2
AP8152279	<a href="#">29.26</a>	20	AP8161129	<a href="#">28.05</a>	3	AP8179685	<a href="#">28.10</a>	1
AP8152280	<a href="#">28.04</a>	15	AP8161140	<a href="#">28.28</a>	8	AP8179686	<a href="#">28.13</a>	3
AP8152280	<a href="#">28.31</a>	13	AP8161197	<a href="#">28.11</a>	15	AP8179687	<a href="#">28.13</a>	4
AP8152281	<a href="#">28.20</a>	9	AP8161205	<a href="#">28.35</a>	21	AP8179689	<a href="#">28.08</a>	4
AP8152282	<a href="#">28.03</a>	15	AP8163385	<a href="#">28.05</a>	25	AP8179709	<a href="#">28.08</a>	1
AP8152284	<a href="#">28.01</a>	15	AP8163511	<a href="#">28.05</a>	1	AP8179726	<a href="#">28.11</a>	3
AP8152284	<a href="#">28.15</a>	9	AP8163566	<a href="#">28.05</a>	23	AP8179727	<a href="#">28.11</a>	4
AP8152284	<a href="#">28.35</a>	11	AP8163567	<a href="#">28.05</a>	24	AP8179915	<a href="#">28.10</a>	1
AP8152285	<a href="#">28.34</a>	14	AP8163584	<a href="#">28.05</a>	2	AP8179915	<a href="#">28.10</a>	1
AP8152285	<a href="#">28.36</a>	14	AP8166478	<a href="#">28.39</a>	5	AP8179915	<a href="#">28.10</a>	1
AP8152285	<a href="#">28.36</a>	14	AP8166988	<a href="#">28.38</a>	5	AP8179916	<a href="#">28.08</a>	1
AP8152286	<a href="#">28.28</a>	9	AP8166991	<a href="#">28.38</a>	3	AP8179917	<a href="#">28.11</a>	1
AP8152287	<a href="#">28.04</a>	10	AP8166992	<a href="#">28.38</a>	2	AP8179917	<a href="#">28.11</a>	1
AP8152287	<a href="#">28.32</a>	10	AP8168042	<a href="#">28.19</a>	2	AP8179917	<a href="#">28.11</a>	1
AP8152289	<a href="#">28.02</a>	12	AP8168042	<a href="#">28.19</a>	2	AP8179918	<a href="#">28.11</a>	2
AP8152298	<a href="#">28.09</a>	8	AP8176042	<a href="#">29.25</a>	4	AP8179918	<a href="#">28.11</a>	2
AP8152298	<a href="#">28.11</a>	8	AP8176043	<a href="#">29.22</a>	8	AP8179918	<a href="#">28.11</a>	2

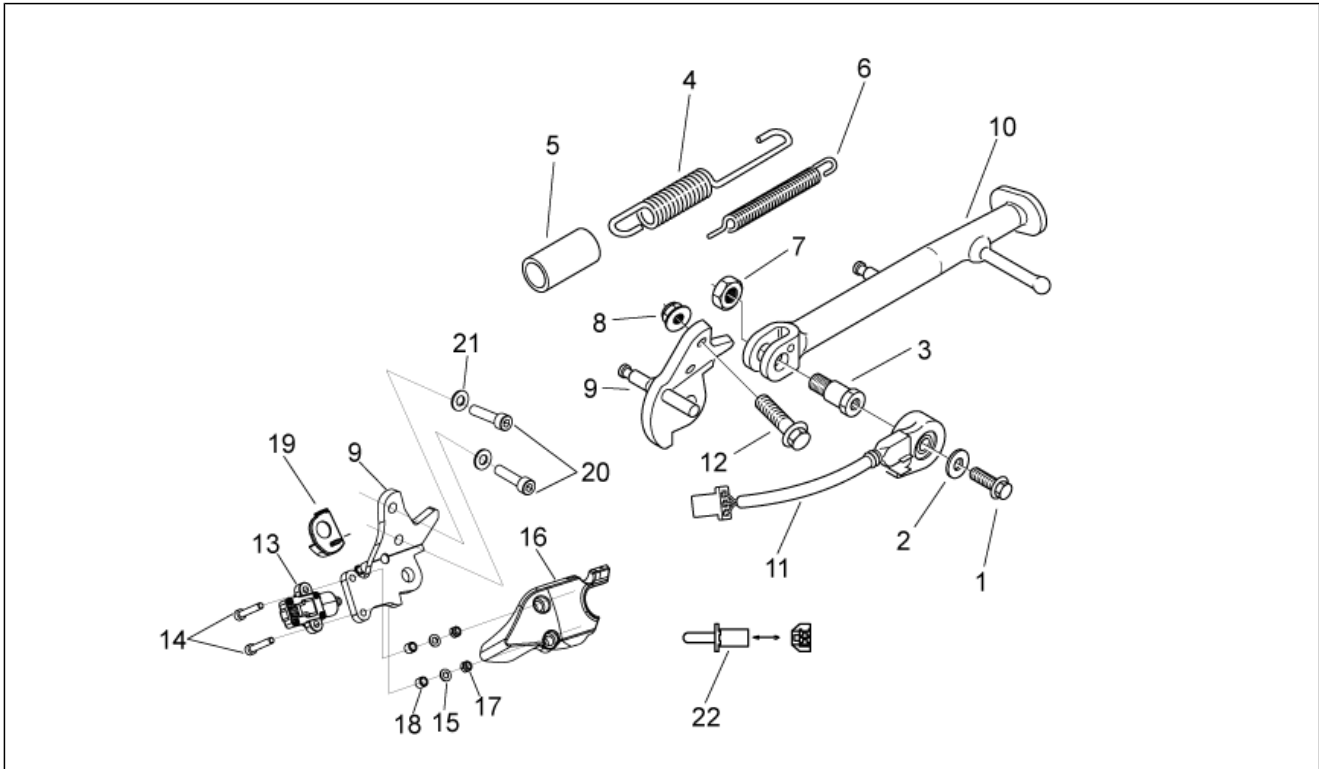
Code	No. table	Pos.	Code	No. table	Pos.	Code	No. table	Pos.
AP8179919	28.11	3	AP8184775	28.11	2	AP8220421	28.21	3
AP8179919	28.11	3	AP8184776	28.11	1	AP8220546	28.34	11
AP8179919	28.11	3	AP8184790	28.08	12	AP8220546	28.36	11
AP8179920	28.11	4	AP8184790	28.08	12	AP8220546	28.36	11
AP8179920	28.11	4	AP8184791	28.08	13	AP8221007	28.35	12
AP8179920	28.11	4	AP8184791	28.08	13	AP8221036	28.02	18
AP8179921	28.13	3	AP8184857	28.10	1	AP8221106	28.10	11
AP8179922	28.13	4	AP8184858	28.08	1	AP8221129	28.37	16
AP8179923	28.08	12	AP8184859	28.11	1	AP8221197	28.02	4
AP8179923	28.08	12	AP8184860	28.11	2	AP8222631	29.22	3
AP8179923	28.08	12	AP8184861	28.11	3	AP8222631	29.22	3
AP8179924	28.08	13	AP8184862	28.11	4	AP8222674	29.22	7
AP8179924	28.08	13	AP8184863	28.13	3	AP8222674	29.22	7
AP8179924	28.08	13	AP8184864	28.13	4	AP8224026	28.34	12
AP8179925	28.08	4	AP8184865	28.08	12	AP8224026	28.36	12
AP8179926	28.08	4	AP8184866	28.08	13	AP8224026	28.36	12
AP8184607	28.10	1	AP8184867	28.08	4	AP8224170	28.34	23
AP8184607	28.10	1	AP8184869	28.13	1	AP8224656	28.33	3
AP8184608	28.08	1	AP8184870	28.13	2	AP8224657	28.33	4
AP8184609	28.11	1	AP8184885	28.10	1	AP8224666	28.33	6
AP8184610	28.11	2	AP8184886	28.08	1	AP8226929	28.09	4
AP8184611	28.11	3	AP8184887	28.11	1	AP8232838	29.26	4
AP8184611	28.11	3	AP8184888	28.11	2	AP8268733	28.08	1
AP8184612	28.11	4	AP8184889	28.11	3	AP8268733	28.08	1
AP8184612	28.11	4	AP8184890	28.11	4	AP8268734	28.13	3
AP8184613	28.13	3	AP8184891	28.13	3	AP8268734	28.13	3
AP8184613	28.13	3	AP8184892	28.13	4	AP8268735	28.13	4
AP8184614	28.13	4	AP8184895	28.10	1	AP8268735	28.13	4
AP8184614	28.13	4	AP8184896	28.08	1	AP8268736	28.08	4
AP8184615	28.08	12	AP8184897	28.11	1	AP8268737	28.08	4
AP8184616	28.08	13	AP8184898	28.11	2	AP8269328	28.10	1
AP8184717	28.08	4	AP8184899	28.13	3	AP8269329	28.08	1
AP8184717	28.08	4	AP8184900	28.13	4	AP8269330	28.11	1
AP8184717	28.08	4	AP8184901	28.08	12	AP8269331	28.11	2
AP8184718	28.08	4	AP8184902	28.08	13	AP8269332	28.11	3
AP8184721	28.10	1	AP8187001	28.39	1	AP8269333	28.11	4
AP8184721	28.10	1	AP8187002	28.39	1	AP8269334	28.13	3
AP8184722	28.08	1	AP8187003	28.39	2	AP8269335	28.13	4
AP8184723	28.11	1	AP8187004	28.39	2	AP8269336	28.08	12
AP8184724	28.11	2	AP8187005	28.39	3	AP8269337	28.08	13
AP8184725	28.13	3	AP8187006	28.39	3	AP8269338	28.08	4
AP8184725	28.13	3	AP8187007	28.39	4	AP8269339	28.08	4
AP8184726	28.13	4	AP8187014	28.38	3	AP8705021	28.30	21
AP8184726	28.13	4	AP8187015	28.38	4	AP9100976	28.33	16
AP8184744	28.10	1	AP8201169	28.18	16	B044051	28.05	14
AP8184745	28.08	1	AP8201192	28.21	2	B044052	28.05	15
AP8184746	28.11	1	AP8201225	28.21	7	B044053	28.05	17
AP8184747	28.11	2	AP8201546	28.28	2	B044054	28.05	18
AP8184748	28.11	3	AP8201546	28.30	4	B044055	28.05	19
AP8184749	28.11	4	AP8201755	28.04	16	B044056	28.05	20
AP8184750	28.13	3	AP8201824	28.10	3	B044057	28.05	21
AP8184751	28.13	4	AP8202449	28.13	5	B044701	28.05	24
AP8184752	28.08	4	AP8203550	28.05	6	B044702	28.05	23
AP8184753	28.08	4	AP8203570	28.05	11	B044703	28.05	16
AP8184762	28.14	1	AP8203588	28.05	4	B044704	28.05	13
AP8184763	28.11	1	AP8206873	29.51	14	B044705	28.05	10
AP8184763	28.11	1	AP8210007	28.31	7	B044706	28.05	4
AP8184764	28.11	2	AP8210007	29.26	5	B044707	28.05	22
AP8184764	28.11	2	AP8212588	28.34	9	B044708	28.05	12
AP8184767	28.11	1	AP8212588	28.36	9	B044709	28.05	11
AP8184767	28.11	1	AP8212588	28.36	9	CM082401	29.51	11
AP8184768	28.11	2	AP8213317	28.30	17	CM082402	29.51	11
AP8184768	28.11	2	AP8213418	28.30	18	CM082407	29.51	11
AP8184771	28.11	1	AP8220150	28.15	4			
AP8184771	28.11	1	AP8220185	28.35	14			
AP8184772	28.11	2	AP8220349	28.12	6			
AP8184772	28.11	2	AP8220384	28.21	9			

<b>Group</b>	FRAME
<b>Code</b>	28.01
<b>Description</b>	Frame
<b>Service</b>	1



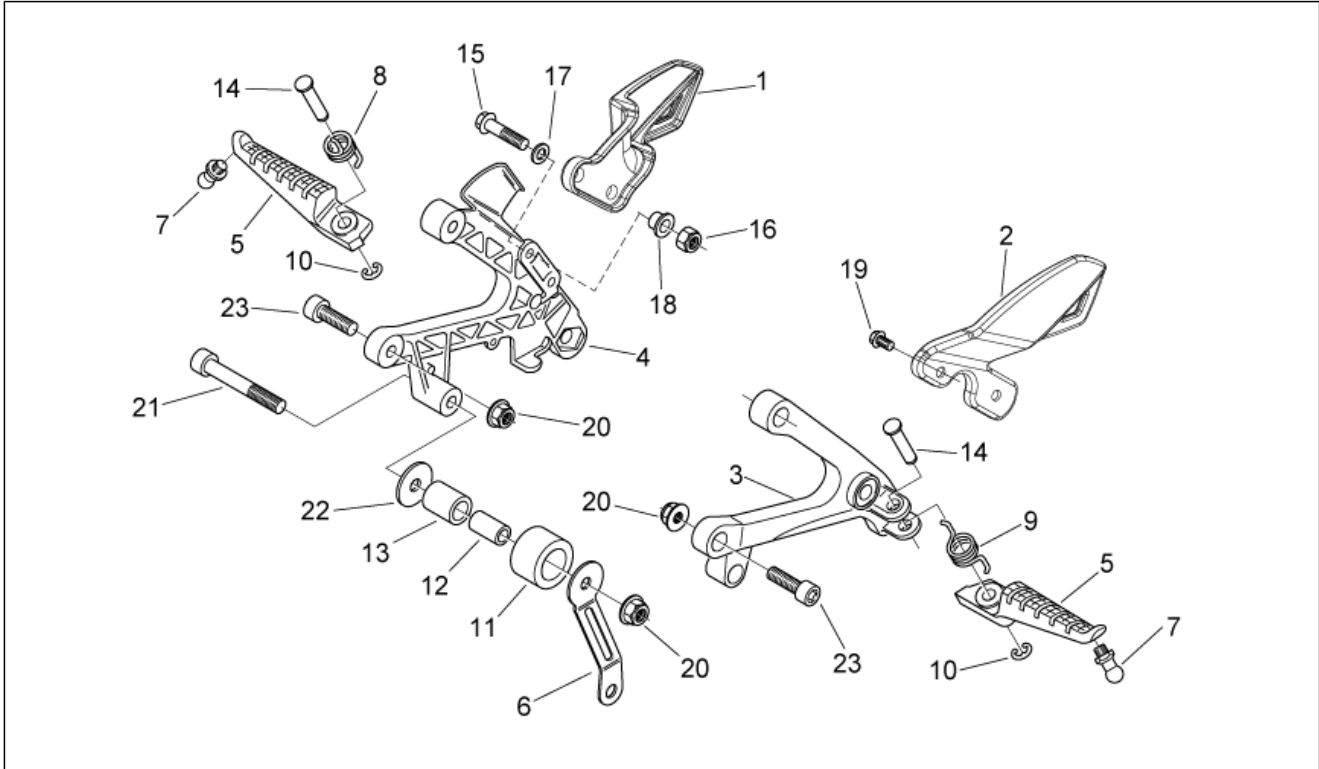
Pos.	Code	Description	Qty	Variants
1	AP8145067	Frame	1	
2	AP8135718	Frame front fix. plate	1	
3	AP8157086	Frame Decal RH	1	
4	AP8157087	Frame Decal LH	1	
5	AP8120670	Rubber spacer *	4	
6	AP8150017	Washer 8,4x16x1,6	4	
7	AP8150169	Hex socket screw M8x20	4	
8	AP8120531	Rubber w/ insert	4	
9	254485	Spring plate M6	9	
10	AP8102375	Clip m5	4	
11	AP8121151	T bush	1	
12	AP8121155	T bush *	1	
13	AP8102798	Clip M6	1	
14	AP8121764	Spacer *	2	
15	AP8152284	Screw w/ flange	2	
16	AP8152299	Self-locking nut M6	2	
17	866346	Frame reinforcement kit	1	

<b>Group</b>	FRAME
<b>Code</b>	28.02
<b>Description</b>	Central stand
<b>Service</b>	1



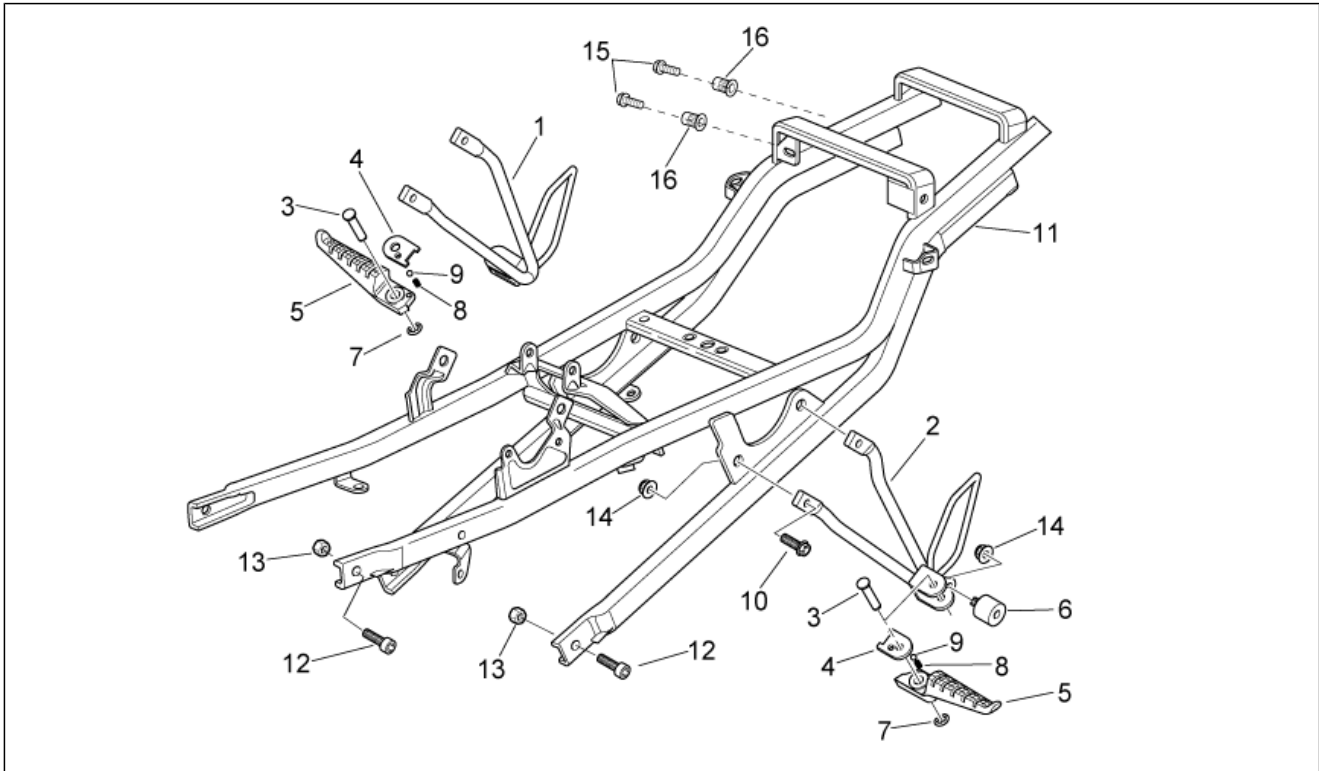
Pos.	Code	Description	Qty	Variants
1	AP8152279	Screw w/ flange M6x20	1	
2	AP8150015	Washer 6,6x18x1,6*	1	
3	AP8121999	Stand pin	1	
4	AP8221197	Lateral stand spring	1	
5	AP8102524	Stand spring protection	1	
6	AP8121014	Coil pull spring *	1	
7	AP8152001	Low nut M10x1,25	1	
8	AP8152300	Self-locking nut M8	2	
9	AP8145057	Stand plate w. phor ctng.	1	Year:2007[7], 2008[8], 2010[A]
9	AP8146087	Stand plate w. phor ctng.	1	Year:2006[6], 2009[9]
10	AP8146088	Lateral stand	1	
11	854888	Rotary switch	1	
12	AP8152289	Screw w/ flange	2	
13	AP8127856	Lateral stand switch	1	
14	AP8150176	Hex socket screw	2	
15	AP8150177	Washer 5,3X10X1	2	
16	851790	Central stand cover	1	
17	AP8150311	Low self-locking nut	1	
18	AP8221036	Bushing 5,3x8x7,1	1	
19	AP8145056	Central stand Cam	1	
20	AP8150236	Hex socket screw M8x35	2	
21	AP8150017	Washer 8,4x16x1,6	2	
22	890990	Bypass for stard swith	1	Country:United States of America[USA] Technical Specifications:Racing Version[rac]

<b>Group</b>	FRAME
<b>Code</b>	28.03
<b>Description</b>	Front footrests
<b>Service</b>	1



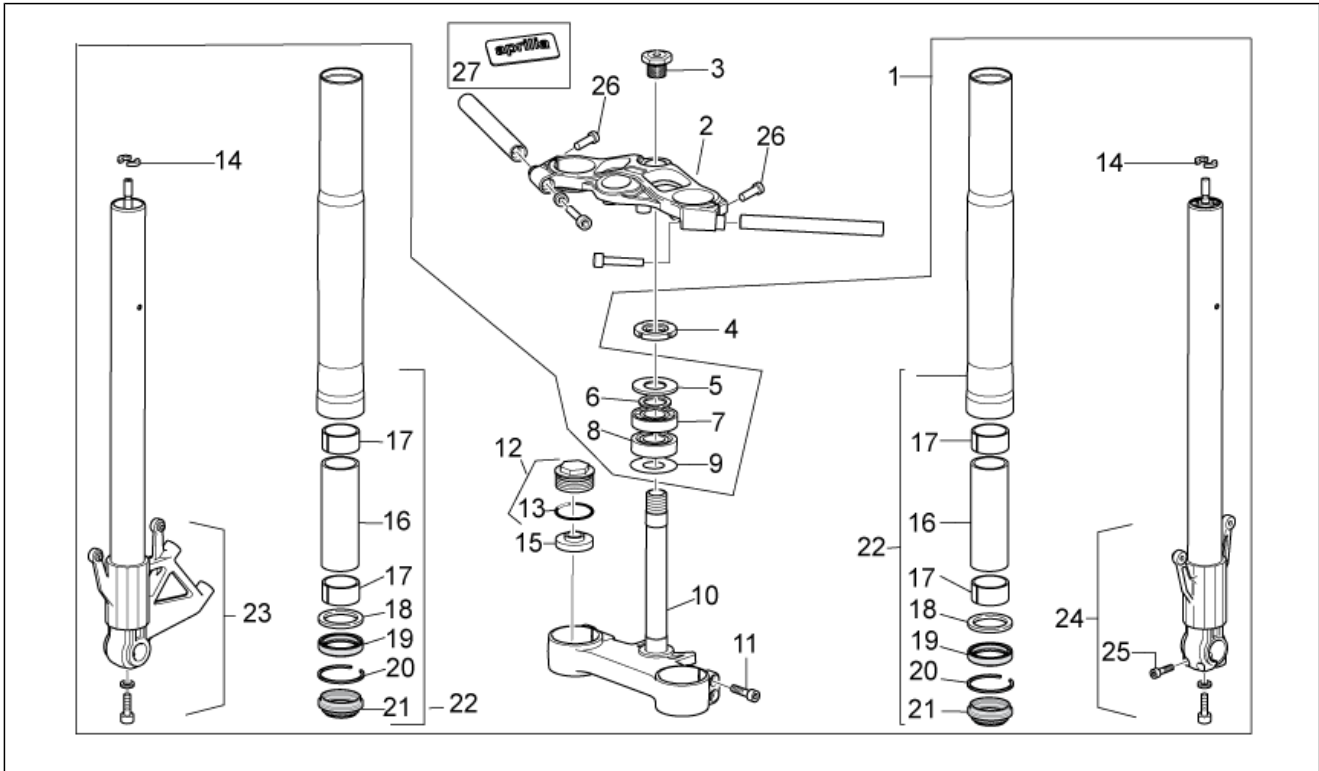
Pos.	Code	Description	Qty	Variants
1	AP8179173	RH front footrest guard	1	
2	AP8179344	LH front footrest guard	1	
3	AP8146374	LH front footrest bracket	1	
4	AP8146373	RH front footrest bracket	1	
5	AP8135313	Front footrest, pair	1	
6	AP8134243	Upper RH fair.supp. plate	1	
7	AP8121134	Footrest pin	2	
8	AP8121939	RH front footrest spring	1	
9	AP8121940	LH front footrest spring	1	
10	AP8152409	Stop ring	4	
11	AP8120569	Chain tensioner roller	1	
12	AP8121672	Spacer *	1	
13	AP8120568	Spacer *	1	
14	AP8121566	Footrest pin	2	
15	AP8152282	Screw w/ flange M6x35	2	
16	AP8150430	Low self-locking nut	2	
17	AP8150014	Washer 6,4x12,5*	2	
18	AP8121728	T bush *	2	
19	AP8152339	Screw w/ flange M5x9	2	
20	AP8152300	Self-locking nut M8	1	
21	AP8150221	Hex socket screw M8x70	1	
22	AP8150019	Washer 8,4x32x2,5	1	
23	AP8150107	Hex socket screw M8x30	2	

<b>Group</b>	FRAME
<b>Code</b>	28.04
<b>Description</b>	Rear footrests
<b>Service</b>	1



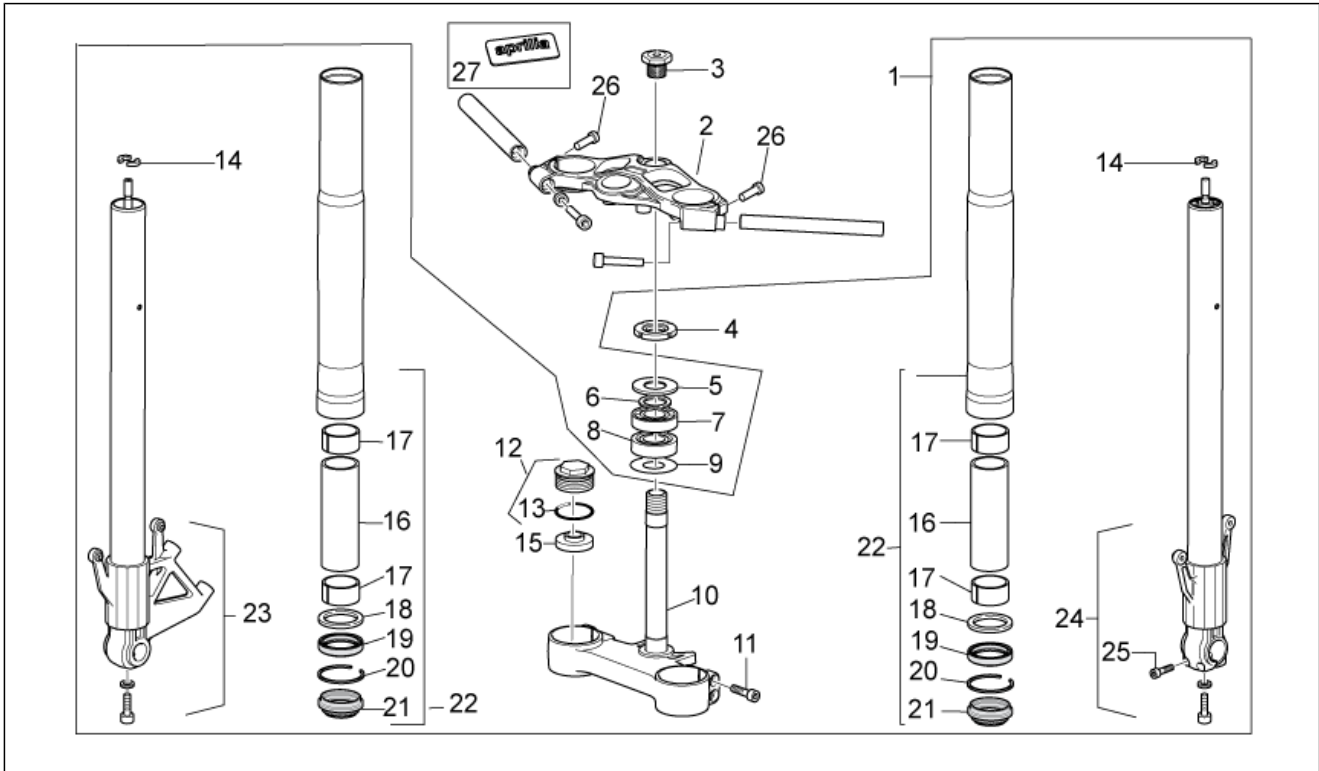
Pos.	Code	Description	Qty	Variants
1	AP8179174	RH footrest support	1	
2	AP8179175	LH footrest support	1	
3	AP8134829	Footrest pin	2	Country:Australia[AA], Indonesia-Malaysia-New Zealand-Singapore[AP], CH-DE-DK-EL[EU]
4	AP8132720	Footrest plate	2	Country:Australia[AA], Indonesia-Malaysia-New Zealand-Singapore[AP], CH-DE-DK-EL[EU]
5	AP8132812	Rear footrests, pair	1	Country:Australia[AA], Indonesia-Malaysia-New Zealand-Singapore[AP], CH-DE-DK-EL[EU]
6	AP8120910	Silent-block	1	
7	AP8152409	Stop ring	4	Country:Australia[AA], Indonesia-Malaysia-New Zealand-Singapore[AP], CH-DE-DK-EL[EU]
8	AP8121133	Coil compress. spring	2	Country:Australia[AA], Indonesia-Malaysia-New Zealand-Singapore[AP], CH-DE-DK-EL[EU]
9	AP8101861	Ball D6,35	2	Country:Australia[AA], Indonesia-Malaysia-New Zealand-Singapore[AP], CH-DE-DK-EL[EU]
10	AP8152287	Screw w/ flange M8x25	4	
11	AP8145001	Saddle support, sand. cat.	1	
12	AP8150170	Hex socket screw M8x25	4	
13	AP8150431	Low nut M8	4	
14	AP8152300	Self-locking nut M8	5	
15	AP8152280	Screw w/ flange M6x25	2	
16	AP8201755	Threaded rivet	4	

<b>Group</b>	FRAME
<b>Code</b>	28.05
<b>Description</b>	Front fork
<b>Service</b>	1



Pos.	Code	Description	Qty	Variants
1	899770	Front fork	1	
1	AP8163511	Front fork	1	
2	AP8163584	Fork upper plate	1	
3	AP8161129	Plug	1	
4	AP8203588	Fork lower ring nut	1	
4	B044706	***Ring nut	1	
5	AP8104597	Gasket ring	1	
6	AP8203550	Steering washer	1	
7	AP8110025	Ball bearing	1	
8	AP8110024	Roller bearing	1	
9	AP8101271	Lower dust cover ring	1	
10	AP8123879	Stem base	1	
10	B044705	***FORK/STEERING COLUMN	1	
11	AP8203570	Screw M8x30	2	
11	B044709	***Hex socket screw	2	
12	AP8123878	Sleeve plug	2	
12	B044708	***Plug cpl.	2	
13	AP8123346	O-ring	2	
13	B044704	***O-ring	2	
14	AP8123441	Half ring	4	
14	B044051	Half ring	4	
15	AP8123357	Ring spring	2	
15	B044052	Ring spring	2	
16	AP8123355	Spacer	2	
16	B044703	***Bush	2	
17	AP8123689	Bush	4	
17	B044053	Sleeve	4	
18	599504	Cup (Marzocchi)	2	

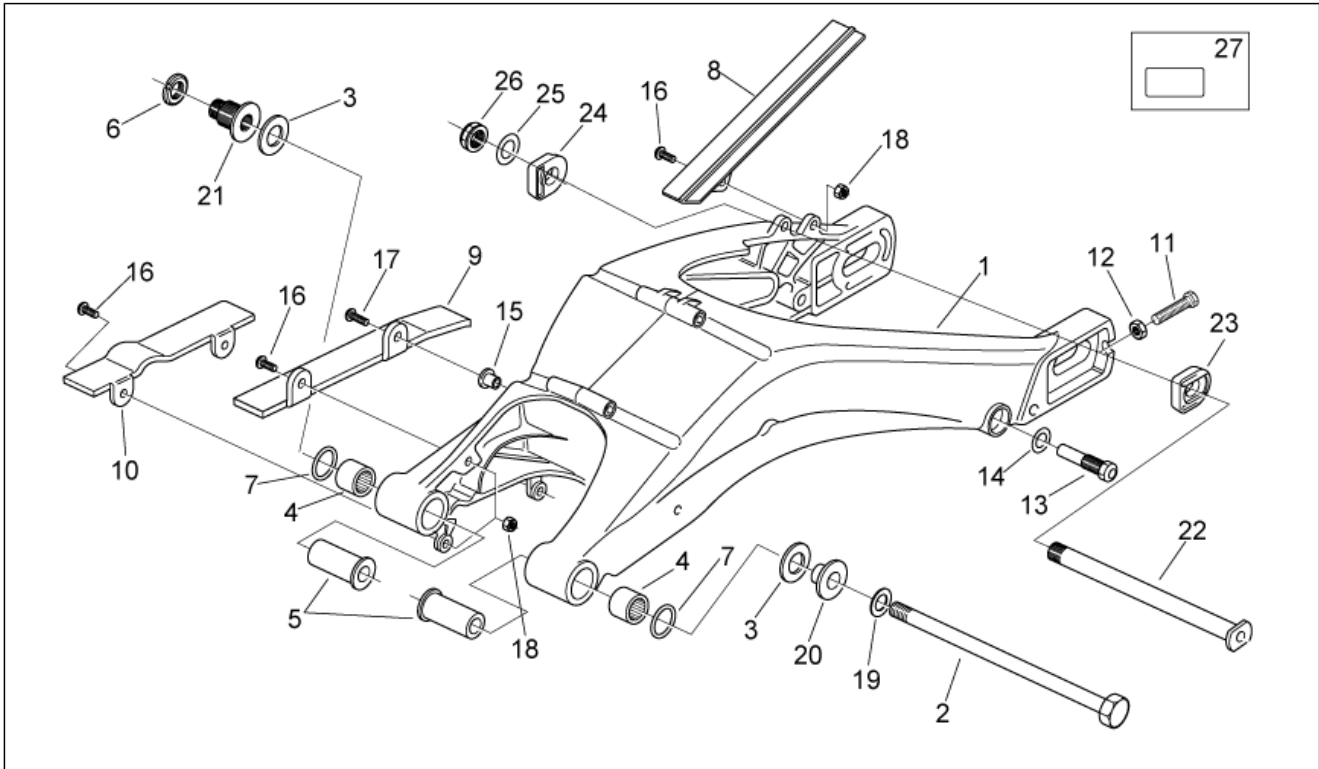
<b>Group</b>	FRAME
<b>Code</b>	28.05
<b>Description</b>	Front fork
<b>Service</b>	1



Pos.	Code	Description	Qty	Variants
18	B044054	Washer	2	
19	599501	Gasket ring (Marzocchi)	2	
19	B044055	Oil seal	2	
20	AP8123199	Stop ring	2	
20	B044056	Snap ring	2	
21	599502	Dust cover + spring (Marzocchi)	2	
21	B044057	Dust cover	2	
22	AP8123691	Sleeve, black	2	
22	B044707	***LEFT STEM	2	
23	AP8163566	Hub+RH fork leg	1	
23	B044702	***LEFT STEM	1	
24	AP8163567	Hub+LH fork leg	1	
24	B044701	***LEFT STEM	1	
25	AP8150220	Hex socket screw M6x30	2	
25	AP8163385	Screw M6x30	2	
26	AP8150236	Hex socket screw M8x35	2	
27	AP8157770	"Aprilia" dataplate	1	

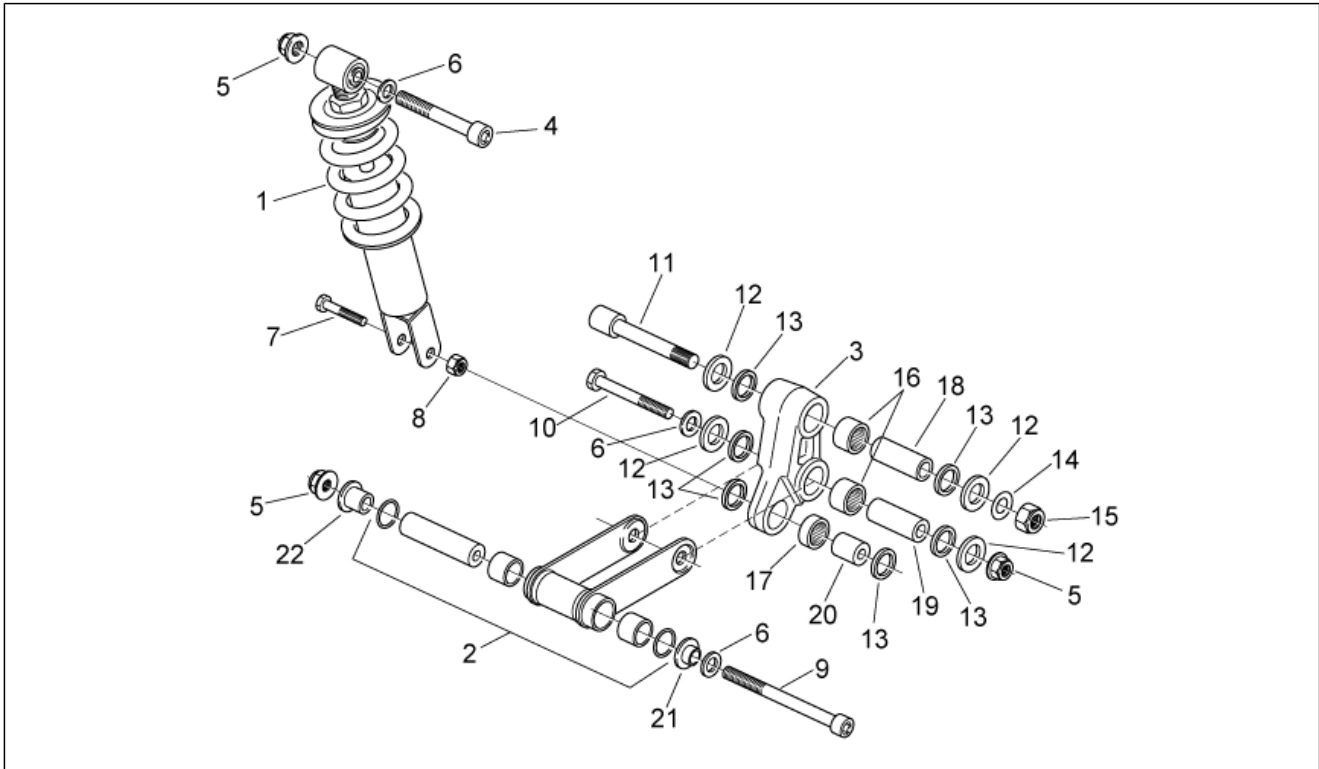


<b>Group</b>	FRAME
<b>Code</b>	28.06
<b>Description</b>	Swing arm
<b>Service</b>	1



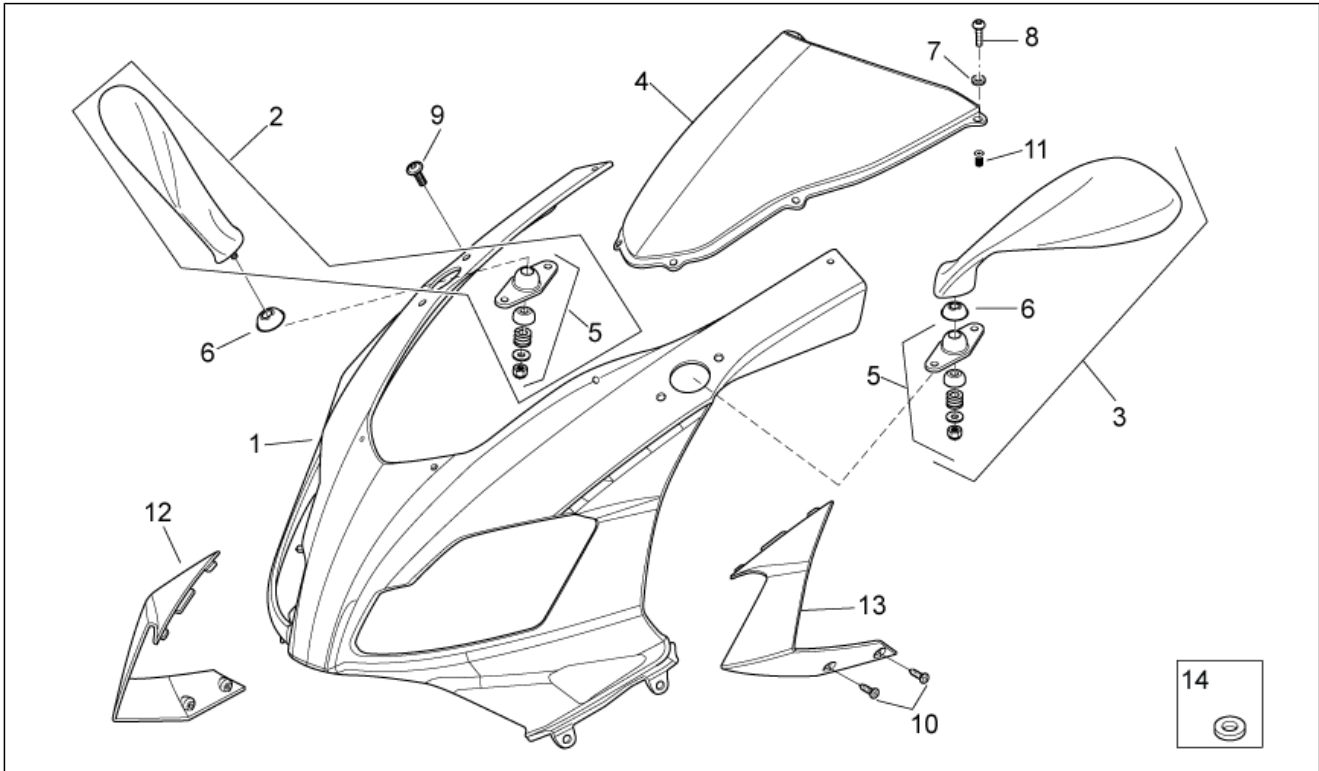
Pos.	Code	Description	Qty	Variants
1	AP8135961	Pulish.swing arm	1	
2	AP8125627	Rear swing arm pin	1	
3	AP8101341	Clearance washer	2	
4	AP8110067	Cage à rouleaux 22x28x16	2	
5	AP8121121	Rear sw.arm piv.bush	2	
6	AP8150299	Ring nut M17x1	1	
7	AP8120280	O-ring 4087	4	
8	AP8131623	Chain guard, black	1	
9	AP8120793	Upper chain guide plate	1	
10	AP8120794	Lower chain guide plate	1	
11	AP8152261	Chain tensioner screw	2	
12	AP8152262	Low nut	2	
13	AP8135396	Brake supp. plate pin	1	
14	AP8121697	Belleville spring	1	
15	AP8120531	Rubber w/ insert	1	
16	AP8152267	Hex socket screw M5x12	5	
17	AP8152268	Hex socket screw M5x16	1	
18	AP8150451	Low self-locking nut	5	
19	AP8150297	Curved spring washer *	1	
20	AP8121581	Bush 20mm	1	
21	AP8121156	Bush	1	
22	854963	Rear wheel spindle	1	
23	AP8120806	LH chain guide plate, br.	1	
24	AP8120807	RH chain guide plate, br.	1	
25	AP8121852	Washer 20x30x1	1	
26	AP8125763	Rear wheel spindle nut	1	
27	AP8177979	Tyre pressure decal	1	

<b>Group</b>	FRAME
<b>Code</b>	28.07
<b>Description</b>	Rear shock absorber
<b>Service</b>	1



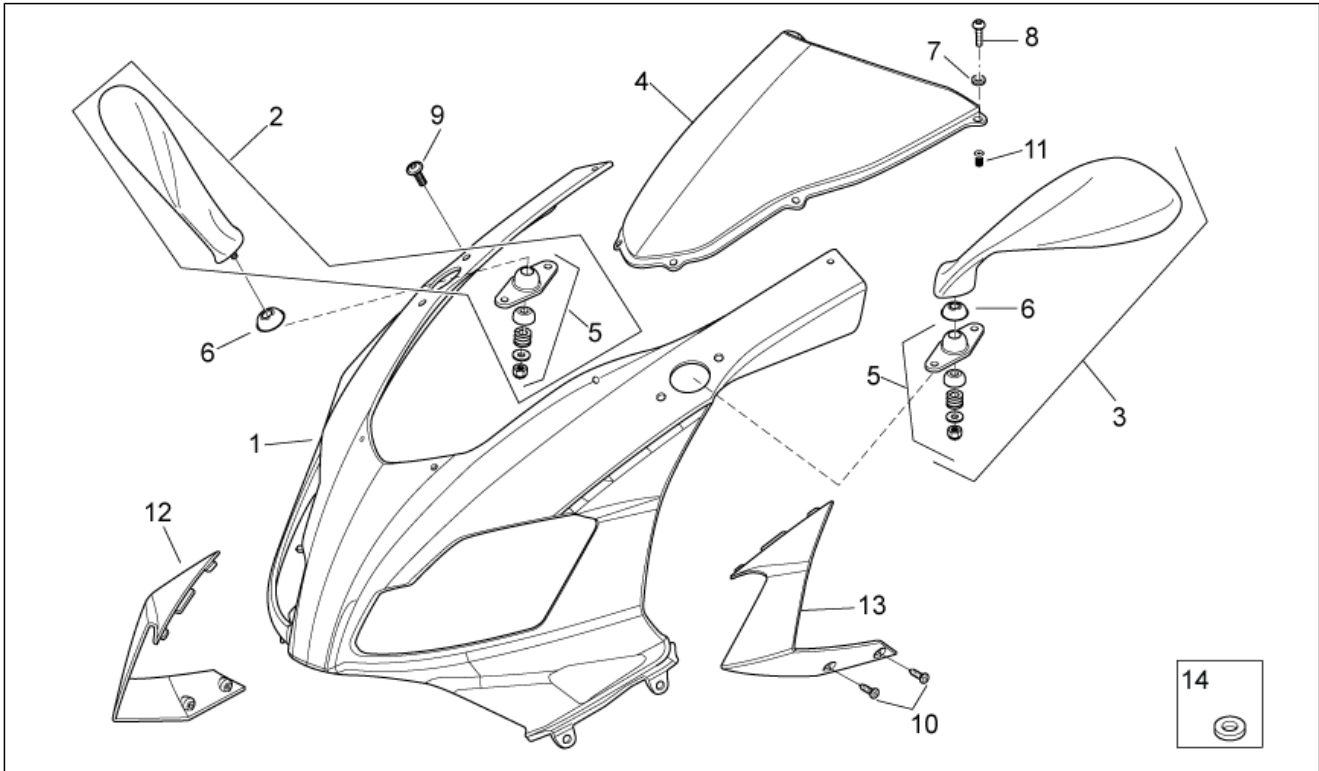
Pos.	Code	Description	Qty	Variants
1	AP8123853	Shock absorber	1	
2	AP8132634	Single conrod	1	
3	AP8135362	Double conrod	1	
4	AP8150287	Hex socket screw M10x90	1	
5	AP8152301	Self-locking nut	3	
6	AP8150020	Washer 10,5x21x2*	3	
7	AP8152111	Screw M8x40	1	
8	AP8150431	Low nut M8	1	
9	AP8150310	Hex socket screw M10X120	1	
10	AP8150336	Screw M10x75	1	
11	AP8150346	Hex socket screw M12x78.5	1	
12	AP8120485	Gasket ring	4	
13	AP8110068	Oil seal D18x24x3	6	
14	AP8121697	Belleville spring	1	
15	AP8150432	Low self-locking nut M12*	1	
16	AP8110064	Roller cage	1	
17	AP8110063	Roller cage	2	
18	AP8121846	Double connecting rod pin	1	
19	AP8121845	Piston pin L=50	1	
20	AP8121847	Double connecting rod pin	1	
21	AP8121151	T bush	1	
22	AP8121155	T bush *	1	

<b>Group</b>	FRAME
<b>Code</b>	28.08
<b>Description</b>	Front body I
<b>Service</b>	1



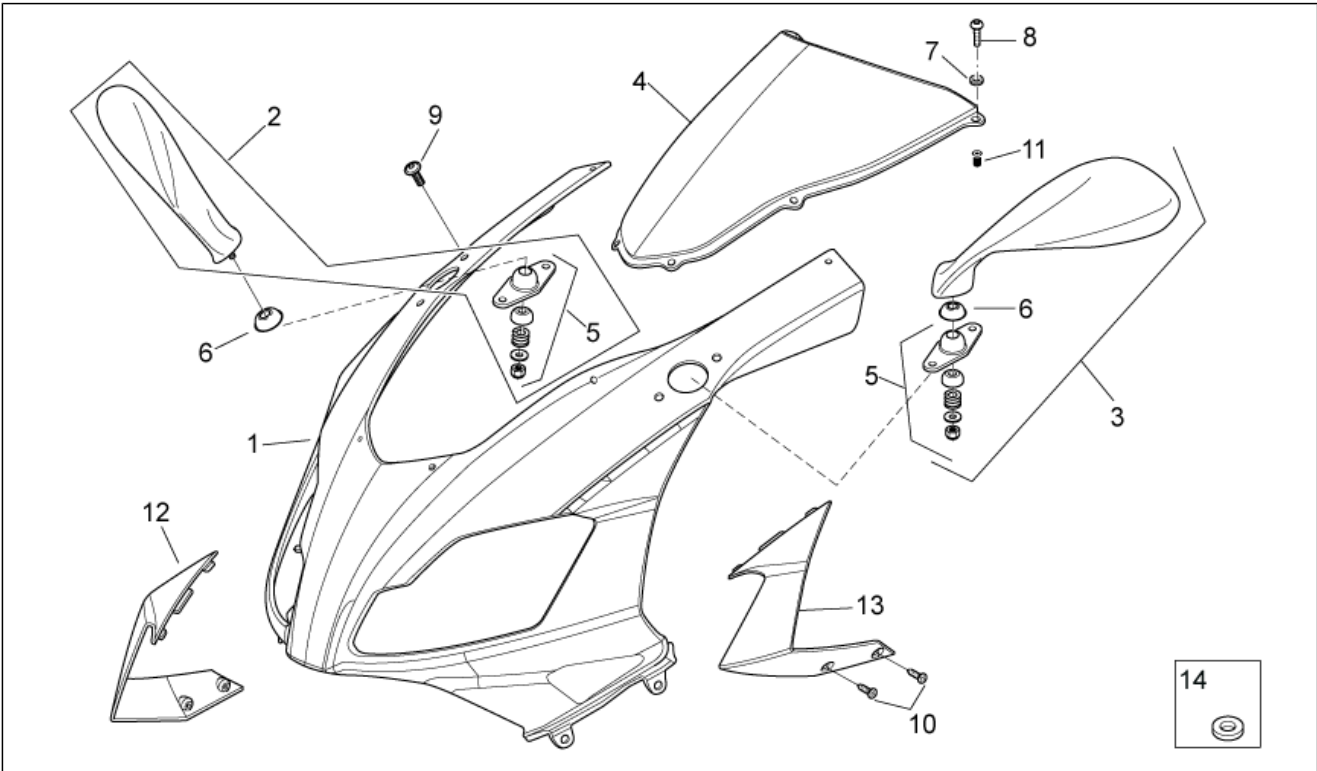
Pos.	Code	Description	Qty	Variants
1	851753	Front fairing racing	1	Year:2006[6] Vehicle colour:Trophy Black 2006[RAC6] Technical Specifications:With decals applied[D]
1	AP8179183	Front fairing, grey	1	Year:2006[6] Vehicle colour:Aprilia Black 2006 (st.15195)[black] Technical Specifications:With decals applied[D]
1	AP8179709	Front fairing, grey	1	Year:2006[6] Vehicle colour:Aprilia White 2006 (st.15196)[white] Technical Specifications:With decals applied[D]
1	AP8179916	Front fairing, red	1	Year:2007[7] Vehicle colour:Spain's N.1 (S.T.852262)[spain7] Technical Specifications:With decals applied[D]
1	AP8184608	Front fairing, red	1	Year:2008[8], 2009[9] Vehicle colour:Fluo Red 2008 (s.t.858632)[red] Country:Australia[AA], Indonesia-Malaysia-New Zealand-Singapore[AP], CH-DE-DK-EL[EU] Technical Specifications:With decals applied[D]
1	AP8184722	Front fairing, black	1	Year:2008[8], 2009[9] Vehicle colour:Black Aprilia 2008 (s.t.860303)[a.blk] Country:Australia[AA], Indonesia-Malaysia-New Zealand-Singapore[AP], CH-DE-DK-EL[EU] Technical Specifications:With decals applied[D]
1	AP8184745	Front fairing, green	1	Year:2008[8] Vehicle colour:Talmacsi 2008 (st.860957)[tal] Technical Specifications:With decals applied[D]
1	AP8184858	Front fairing, red	1	Year:2009[9], 2010[A] Vehicle colour:Replica SBK 2009 (s.t.895053)[sbk] Country:CH-DE-DK-EL[EU] Technical Specifications:With decals applied[D]
1	AP8184886	Front fairing, black	1	Year:2010[A] Vehicle colour:'Aprilia Black 2010[n.10] Country:Australia[AA], CH-DE-DK-EL[EU] Technical Specifications:With decals applied[D]
1	AP8184896	Front fairing, white	1	Year:2010[A]

<b>Group</b>	FRAME
<b>Code</b>	28.08
<b>Description</b>	Front body I
<b>Service</b>	1



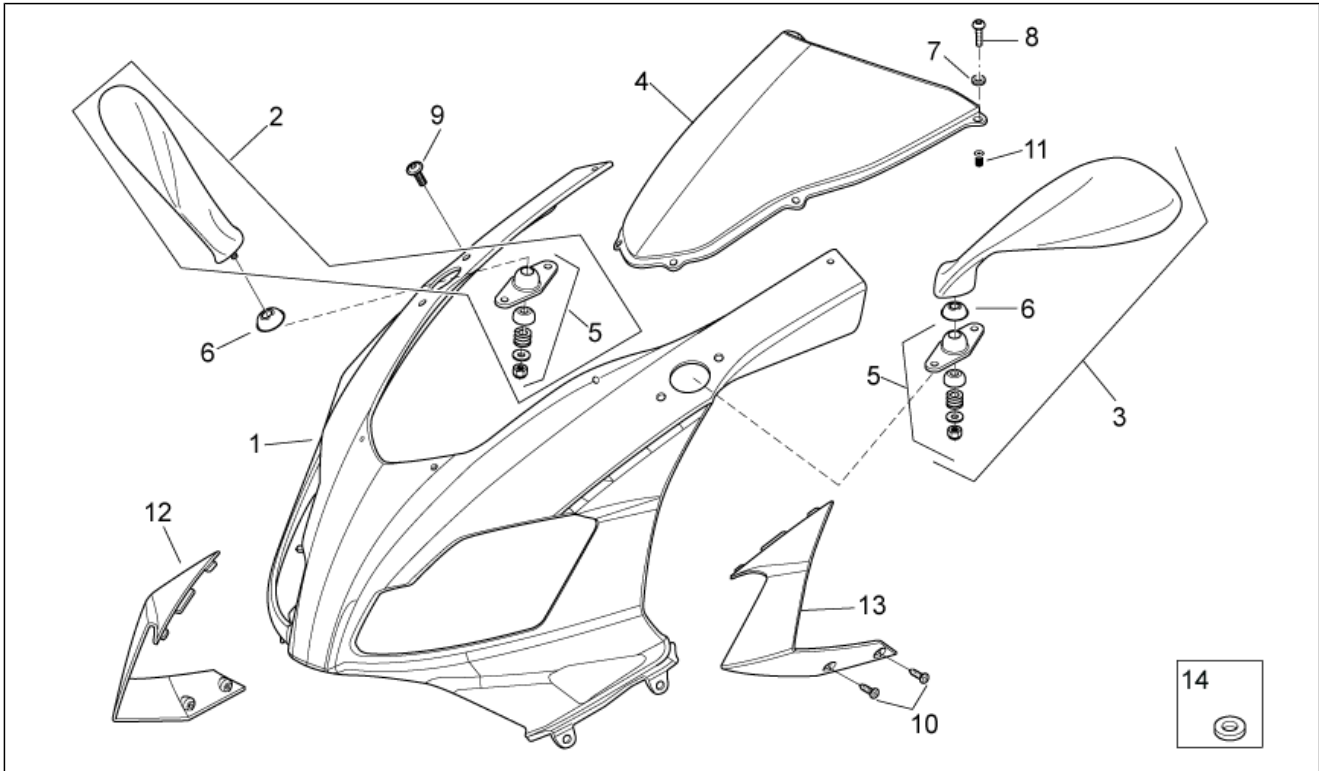
Pos.	Code	Description	Qty	Variants
				<b>Vehicle colour:</b> 'Glam White 2010 [w.glam] <b>Country:</b> Australia[AA], CH-DE-DK-EL[EU] <b>Technical Specifications:</b> With decals applied[D]
1	AP8268733	Front fairing, red	1	<b>Year:</b> 2008[8] <b>Vehicle colour:</b> Spain's number 1 (S.T.856884)[spain8] <b>Country:</b> United States of America[USA] <b>Technical Specifications:</b> With decals applied[D], Racing Version[rac]
1	AP8268733	Front fairing, red	1	<b>Year:</b> 2008[8] <b>Vehicle colour:</b> Spain's number 1 (S.T.856884)[spain8] <b>Country:</b> Australia[AA], CH-DE-DK-EL[EU] <b>Technical Specifications:</b> With decals applied[D]
1	AP8269329	Front fairing, red	1	<b>Year:</b> 2010[A] <b>Vehicle colour:</b> Alitalia Replica 2010 (s.t.897896)[r.ali] <b>Technical Specifications:</b> With decals applied[D]
2	852151	RH rearview mirror	1	<b>Year:</b> 2007[7], 2008[8], 2010[A] <b>Country:</b> Australia[AA], CH-DE-DK-EL[EU]
2	AP8102632	RH rearview mirror	1	<b>Year:</b> 2006[6]
2	AP8102632	RH rearview mirror	1	<b>Year:</b> 2009[9] <b>Country:</b> Australia[AA], Indonesia-Malaysia-New Zealand-Singapore[AP]
3	852152	LH rearview mirror	1	<b>Year:</b> 2007[7], 2008[8], 2010[A] <b>Country:</b> Australia[AA], CH-DE-DK-EL[EU]
3	AP8102633	LH rearview mirror	1	<b>Year:</b> 2006[6]
3	AP8102633	LH rearview mirror	1	<b>Year:</b> 2009[9] <b>Country:</b> Australia[AA], Indonesia-Malaysia-New Zealand-Singapore[AP]
4	AP8179689	Windshield	1	<b>Year:</b> 2006[6] <b>Vehicle colour:</b> Aprilia Black 2006 (st.15195)[black], Aprilia White 2006 (st.15196)[white] <b>Country:</b> Australia[AA] <b>Technical Specifications:</b> With decals applied[D]
4	AP8179925	Windshield	1	<b>Year:</b> 2007[7] <b>Vehicle colour:</b> Spain's N.1 (S.T.852262)[spain7]

<b>Group</b>	FRAME
<b>Code</b>	28.08
<b>Description</b>	Front body I
<b>Service</b>	1



Pos.	Code	Description	Qty	Variants
				Country:CH-DE-DK-EL[EU] Technical Specifications:With decals applied[D]
4	AP8179926	Windshield	1	Year:2007[7] Vehicle colour:Spain's N.1 (S.T.852262)[spain7] Country:Australia[AA] Technical Specifications:With decals applied[D]
4	AP8184717	Windshield	1	Year:2008[8], 2010[A] Vehicle colour:Black Aprilia 2008 (s.t.860303)[a.blk], 'Aprilia Black 2010[n.10], Fluo Red 2008 (s.t.858632)[red], 'Glam White 2010 [w.glam] Country:CH-DE-DK-EL[EU] Technical Specifications:With decals applied[D]
4	AP8184717	Windshield	1	Year:2009[9] Vehicle colour:Black Aprilia 2008 (s.t.860303)[a.blk], Fluo Red 2008 (s.t.858632)[red] Country:Indonesia-Malaysia-New Zealand-Singapore[AP] Technical Specifications:With decals applied[D]
4	AP8184717	Windshield	1	Year:2006[6] Vehicle colour:Aprilia Black 2006 (st.15195)[black], Aprilia White 2006 (st.15196)[white] Country:CH-DE-DK-EL[EU] Technical Specifications:With decals applied[D]
4	AP8184718	Windshield	1	Year:2008[8], 2009[9] Vehicle colour:Black Aprilia 2008 (s.t.860303)[a.blk], Fluo Red 2008 (s.t.858632)[red] Country:Australia[AA] Technical Specifications:With decals applied[D]
4	AP8184752	Windshield	1	Year:2008[8] Vehicle colour:Talmacsi 2008 (st.860957)[tal] Country:CH-DE-DK-EL[EU] Technical Specifications:With decals applied[D]
4	AP8184753	Windshield	1	Year:2008[8] Vehicle colour:Talmacsi 2008 (st.860957)[tal] Country:Australia[AA] Technical Specifications:With decals applied[D]

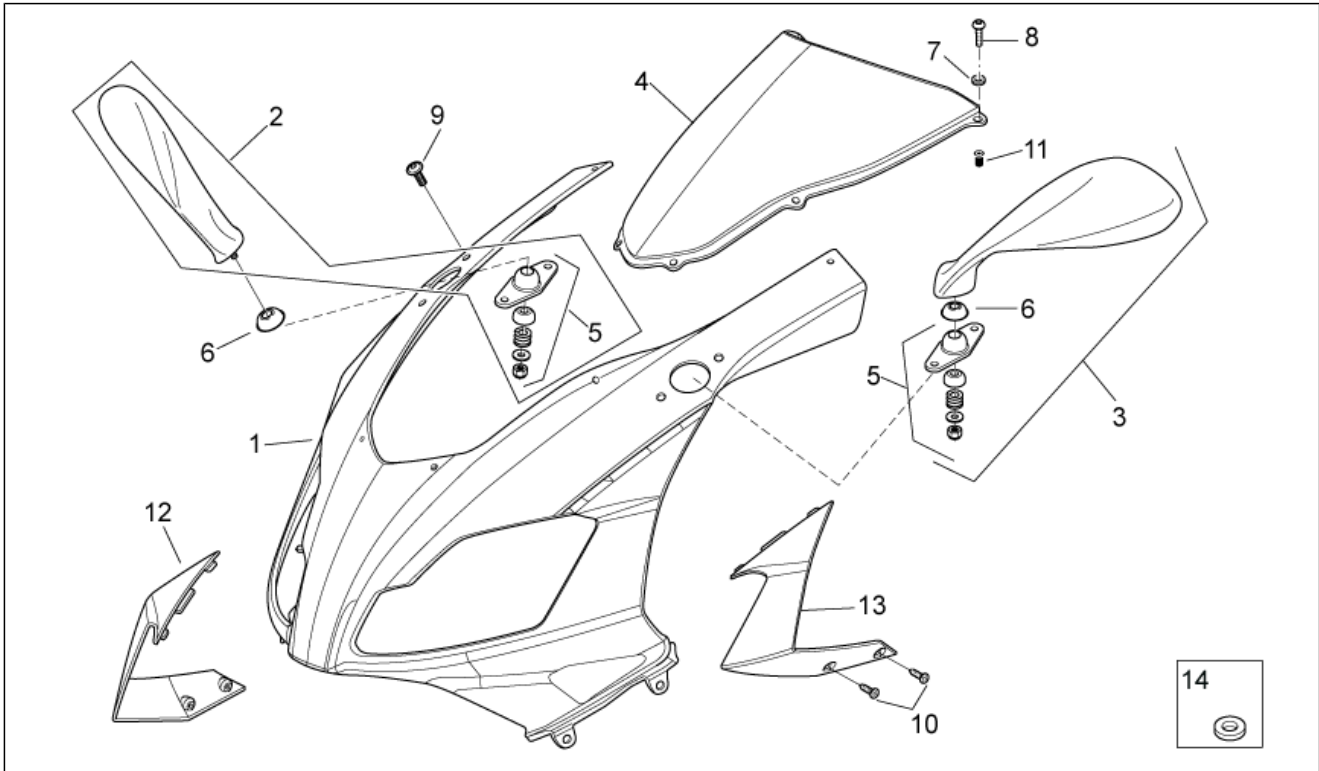
<b>Group</b>	FRAME
<b>Code</b>	28.08
<b>Description</b>	Front body I
<b>Service</b>	1



Pos.	Code	Description	Qty	Variants
4	AP8184867	Windshield	1	Year:2009[9], 2010[A] Vehicle colour:Replica SBK 2009 (s.t.895053)[sbk] Country:CH-DE-DK-EL[EU] Technical Specifications:With decals applied[D]
4	AP8268736	Windshield	1	Year:2008[8] Vehicle colour:Spain's number 1 (S.T.856884)[spain8] Country:CH-DE-DK-EL[EU], United States of America[USA] Technical Specifications:With decals applied[D], Racing Version[rac]
4	AP8268737	Windshield	1	Year:2008[8] Vehicle colour:Spain's number 1 (S.T.856884)[spain8] Country:Australia[AA] Technical Specifications:With decals applied[D]
4	AP8269338	Windshield	1	Year:2010[A] Vehicle colour:Alitalia Replica 2010 (s.t.897896)[r.ali] Technical Specifications:With decals applied[D]
4	AP8269339	Windshield	1	Year:2010[A] Vehicle colour:Alitalia Replica 2010 (s.t.897896)[r.ali] Country:Australia[AA]
5	AP8102909	Mirror insertion kit	1	Country:Australia[AA], CH-DE-DK-EL[EU]
6	AP8102341	Mirror joint cup	2	Country:Australia[AA], Indonesia-Malaysia-New Zealand-Singapore[AP], CH-DE-DK-EL[EU]
7	AP8144565	Nylon washer	6	
8	AP8121184	Screw M4x14	6	
9	AP8152246	Screw w/ flange M6x16	4	
10	AP8150413	Self-tap screw 3,9x14	4	
11	AP8144564	Rubber w/ insert M4	6	
12	851763	RH-LH baffle	1	Year:2006[6] Vehicle colour:Trophy Black 2006[RAC6] Country:Australia[AA], CH-DE-DK-EL[EU] Technical Specifications:Without decals applied[ND]
12	AP8179188	RH baffle	1	Year:2008[8]

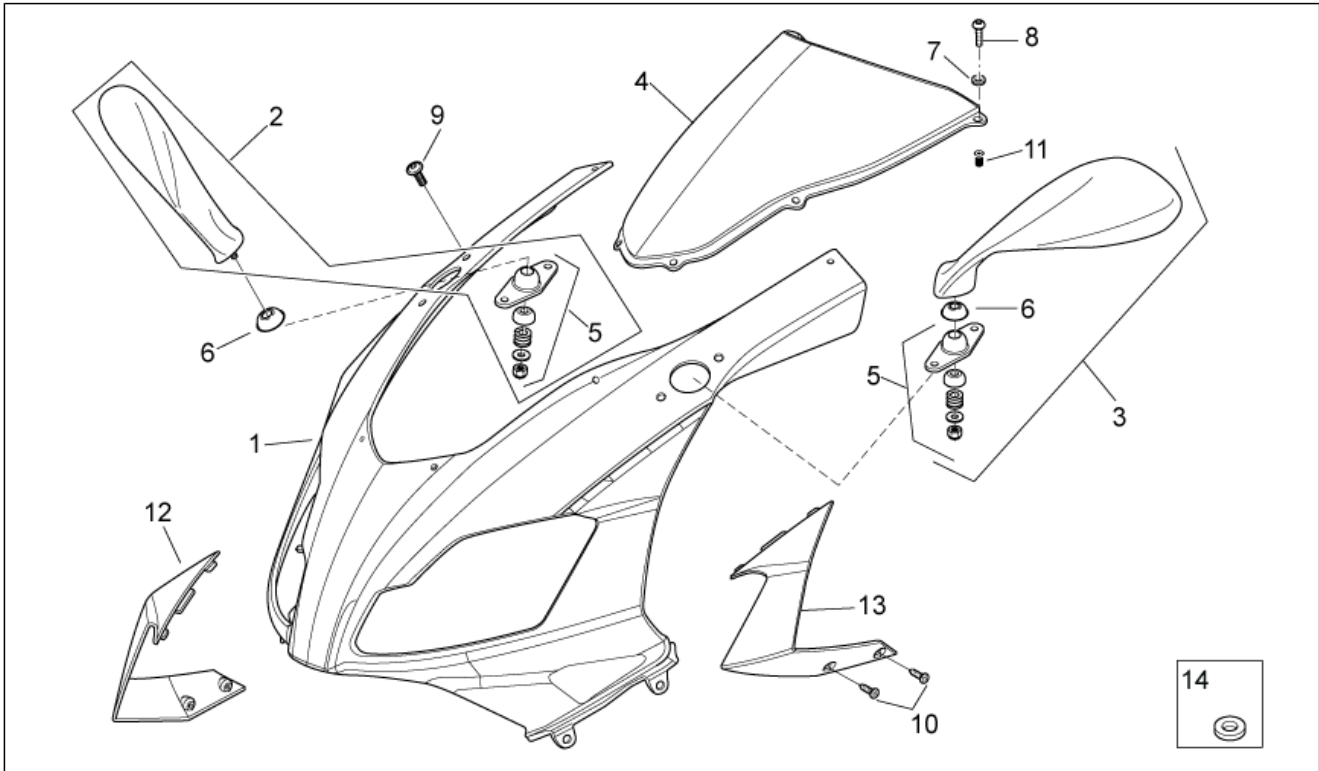


<b>Group</b>	FRAME
<b>Code</b>	28.08
<b>Description</b>	Front body I
<b>Service</b>	1



Pos.	Code	Description	Qty	Variants
				<b>Vehicle colour:</b> Black Aprilia 2008 (s.t.860303)[a.blk], Talmacsi 2008 (st.860957)[tal] <b>Country:</b> Australia[AA], CH-DE-DK-EL[EU] <b>Technical Specifications:</b> With decals applied[D]
12	AP8179188	RH baffle	1	<b>Year:</b> 2006[6] <b>Vehicle colour:</b> Aprilia Black 2006 (st.15195)[black] <b>Country:</b> Australia[AA], CH-DE-DK-EL[EU] <b>Technical Specifications:</b> Without decals applied[ND]
12	AP8179527	RH baffle	1	<b>Year:</b> 2006[6] <b>Vehicle colour:</b> Aprilia White 2006 (st.15196)[white] <b>Country:</b> Australia[AA], CH-DE-DK-EL[EU] <b>Technical Specifications:</b> Without decals applied[ND]
12	AP8179923	RH baffle	1	<b>Year:</b> 2008[8] <b>Vehicle colour:</b> Spain's number 1 (S.T.856884)[spain8] <b>Country:</b> Australia[AA], CH-DE-DK-EL[EU] <b>Technical Specifications:</b> With decals applied[D]
12	AP8179923	RH baffle	1	<b>Year:</b> 2007[7] <b>Vehicle colour:</b> Spain's N.1 (S.T.852262)[spain7] <b>Country:</b> Australia[AA], CH-DE-DK-EL[EU] <b>Technical Specifications:</b> With decals applied[D]
12	AP8179923	RH baffle	1	<b>Year:</b> 2008[8] <b>Vehicle colour:</b> Spain's number 1 (S.T.856884)[spain8] <b>Country:</b> United States of America[USA] <b>Technical Specifications:</b> With decals applied[D], Racing Version[rac]
12	AP8184615	RH baffle	1	<b>Year:</b> 2008[8] <b>Vehicle colour:</b> Fluo Red 2008 (s.t.858632)[red] <b>Country:</b> Australia[AA], CH-DE-DK-EL[EU] <b>Technical Specifications:</b> With decals applied[D]
12	AP8184790	RH baffle, black	1	<b>Year:</b> 2008[8], 2009[9], 2010[A] <b>Country:</b> Australia[AA], CH-DE-DK-EL[EU] <b>Technical Specifications:</b> Without decals applied[ND]
12	AP8184790	RH baffle, black	1	<b>Year:</b> 2009[9] <b>Country:</b> Australia[AA], Indonesia-Malaysia-New Zealand-Singapore[AP]

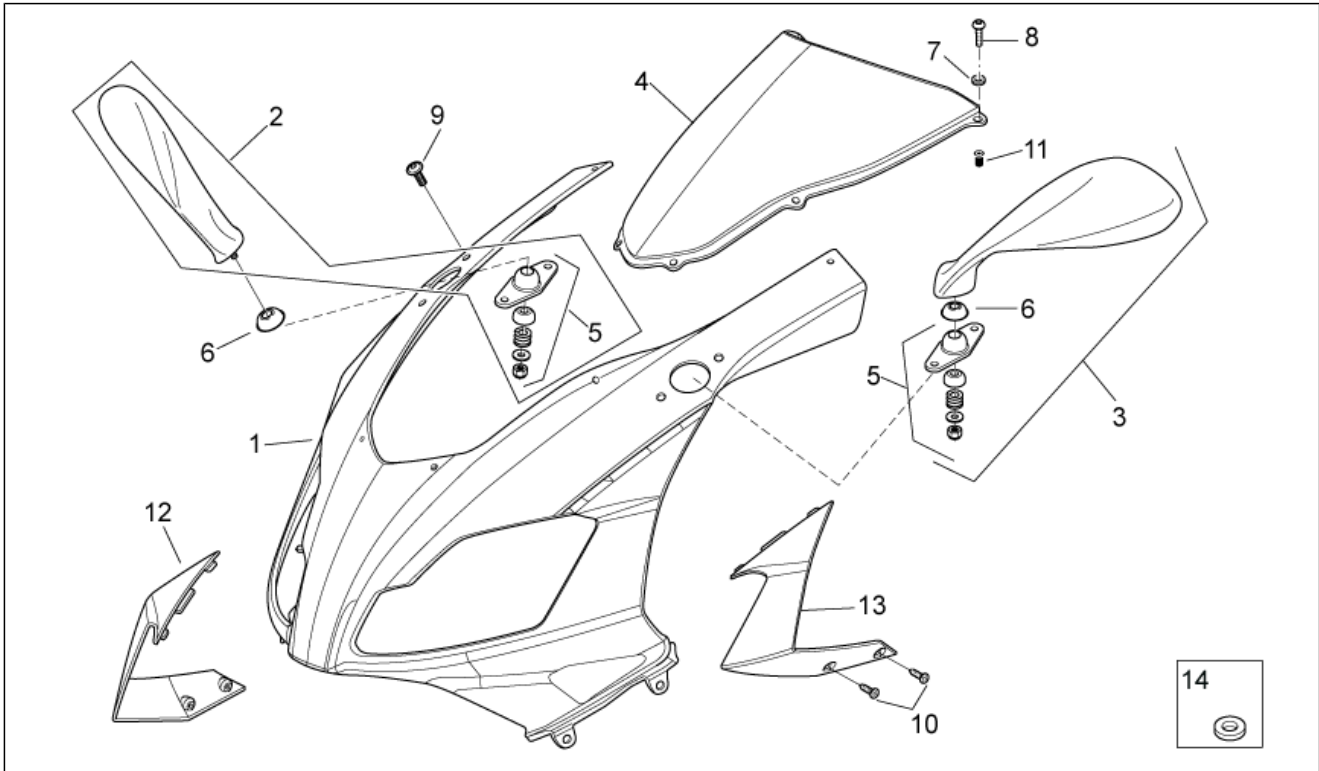
<b>Group</b>	FRAME
<b>Code</b>	28.08
<b>Description</b>	Front body I
<b>Service</b>	1



Pos.	Code	Description	Qty	Variants
				<b>Technical Specifications:</b> Without decals applied[ND]
12	AP8184865	RH baffle	1	<b>Year:</b> 2009[9], 2010[A] <b>Vehicle colour:</b> Replica SBK 2009 (s.t.895053)[sbk] <b>Country:</b> CH-DE-DK-EL[EU] <b>Technical Specifications:</b> With decals applied[D]
12	AP8184901	RH baffle	1	<b>Year:</b> 2010[A] <b>Vehicle colour:</b> 'Glam White 2010 [w.glam] <b>Country:</b> Australia[AA], CH-DE-DK-EL[EU] <b>Technical Specifications:</b> With decals applied[D]
12	AP8269336	RH baffle	1	<b>Year:</b> 2010[A] <b>Vehicle colour:</b> Alitalia Replica 2010 (s.t.897896)[r.ali] <b>Technical Specifications:</b> With decals applied[D]
13	851763	RH-LH baffle	1	<b>Year:</b> 2006[6] <b>Vehicle colour:</b> Trophy Black 2006[RAC6] <b>Country:</b> Australia[AA], CH-DE-DK-EL[EU] <b>Technical Specifications:</b> Without decals applied[ND]
13	AP8179189	LH baffle	1	<b>Year:</b> 2008[8] <b>Vehicle colour:</b> Black Aprilia 2008 (s.t.860303)[a.blk], Talmacci 2008 (st.860957)[tal] <b>Country:</b> Australia[AA], CH-DE-DK-EL[EU] <b>Technical Specifications:</b> With decals applied[D]
13	AP8179189	LH baffle	1	<b>Year:</b> 2006[6] <b>Vehicle colour:</b> Aprilia Black 2006 (st.15195)[black] <b>Country:</b> Australia[AA], CH-DE-DK-EL[EU] <b>Technical Specifications:</b> Without decals applied[ND]
13	AP8179528	LH baffle	1	<b>Year:</b> 2006[6] <b>Vehicle colour:</b> Aprilia White 2006 (st.15196)[white] <b>Country:</b> Australia[AA], CH-DE-DK-EL[EU] <b>Technical Specifications:</b> Without decals applied[ND]
13	AP8179924	LH baffle	1	<b>Year:</b> 2008[8] <b>Vehicle colour:</b> Spain's number 1 (S.T.856884)[spain8] <b>Country:</b> Australia[AA], CH-DE-DK-EL[EU] <b>Technical Specifications:</b> With decals applied[D]
13	AP8179924	LH baffle	1	<b>Year:</b> 2007[7] <b>Vehicle colour:</b> Spain's N.1 (S.T.852262)[spain7]

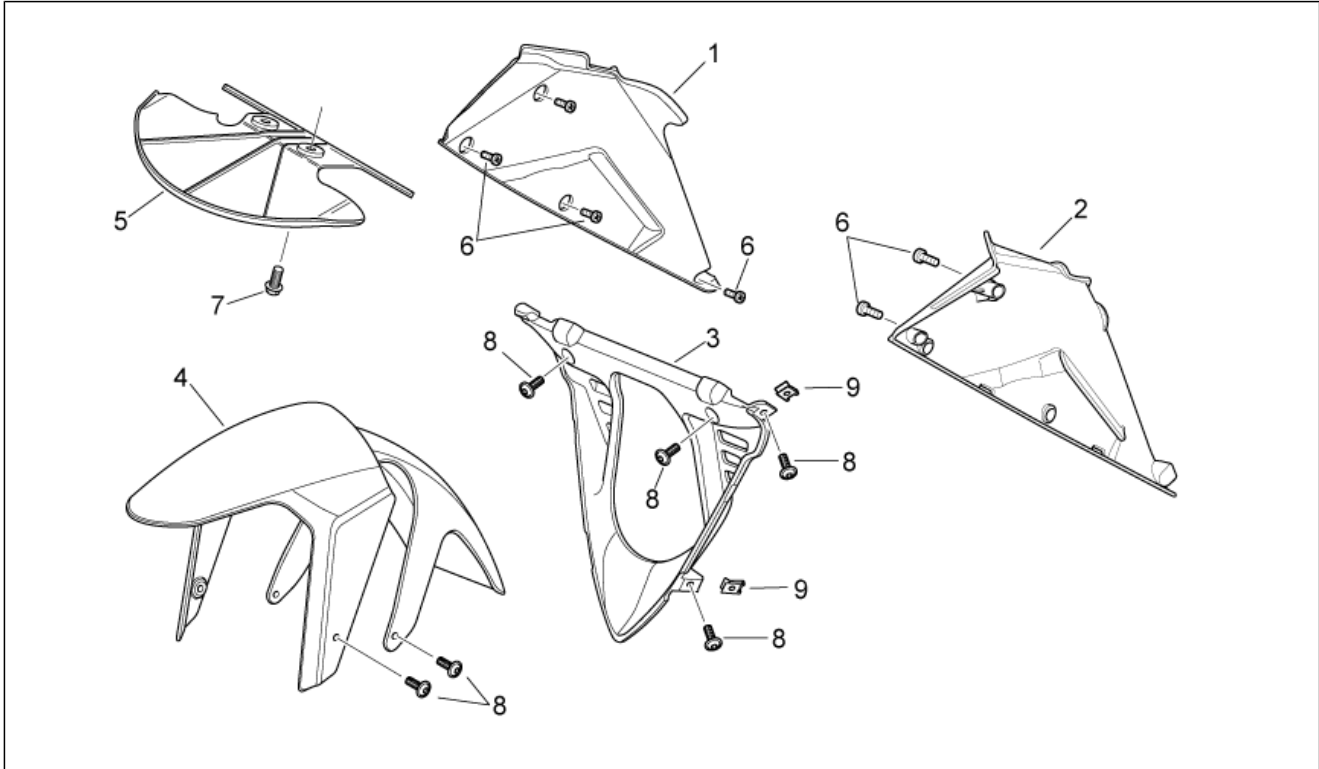


<b>Group</b>	FRAME
<b>Code</b>	28.08
<b>Description</b>	Front body I
<b>Service</b>	1



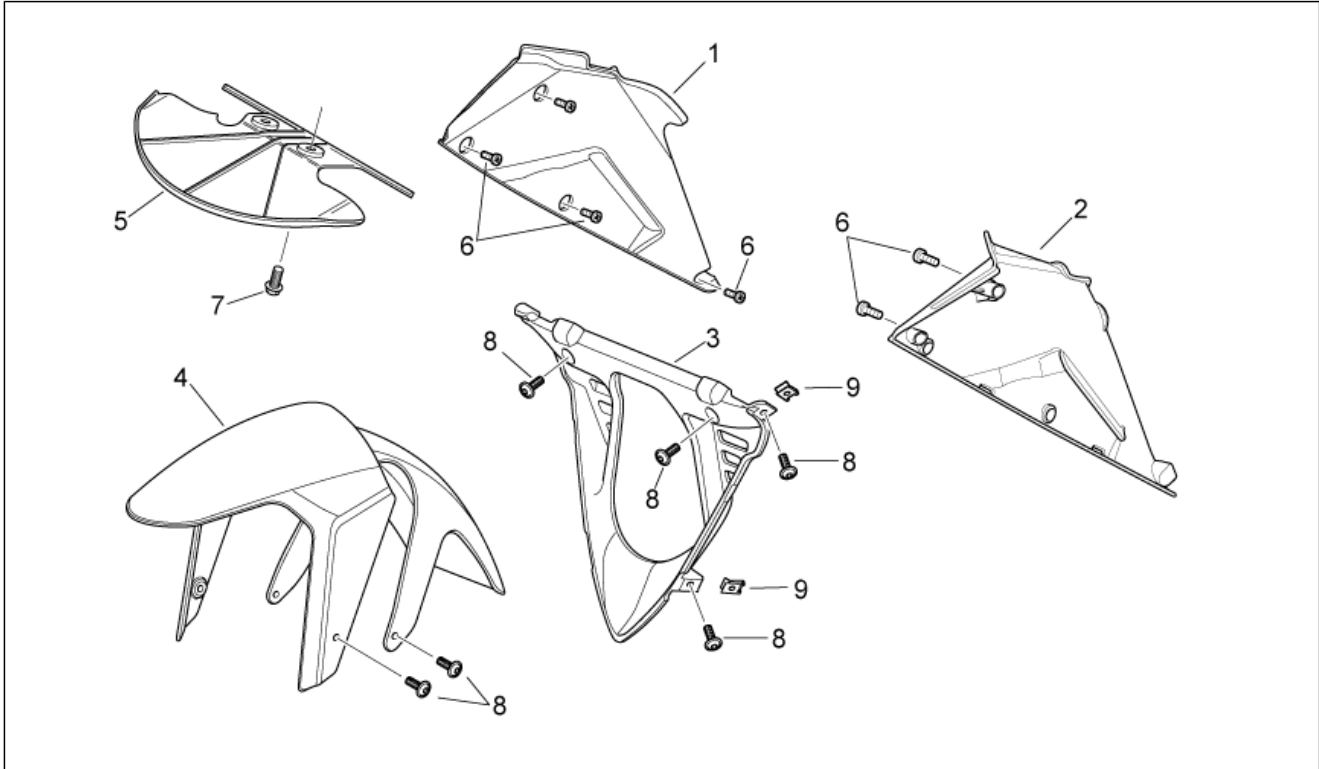
Pos.	Code	Description	Qty	Variants
				<b>Country:</b> Australia[AA], CH-DE-DK-EL[EU] <b>Technical Specifications:</b> With decals applied[D]
13	AP8179924	LH baffle	1	<b>Year:</b> 2008[8] <b>Vehicle colour:</b> Spain's number 1 (S.T.856884)[spain8] <b>Country:</b> United States of America[USA] <b>Technical Specifications:</b> With decals applied[D], Racing Version[rac]
13	AP8184616	LH baffle	1	<b>Year:</b> 2008[8] <b>Vehicle colour:</b> Fluo Red 2008 (s.t.858632)[red] <b>Country:</b> Australia[AA], CH-DE-DK-EL[EU] <b>Technical Specifications:</b> With decals applied[D]
13	AP8184791	LH baffle, black	1	<b>Year:</b> 2008[8], 2009[9], 2010[A] <b>Country:</b> Australia[AA], CH-DE-DK-EL[EU] <b>Technical Specifications:</b> Without decals applied[ND]
13	AP8184791	LH baffle, black	1	<b>Year:</b> 2009[9] <b>Country:</b> Australia[AA], Indonesia-Malaysia-New Zealand-Singapore[AP] <b>Technical Specifications:</b> Without decals applied[ND]
13	AP8184866	LH baffle	1	<b>Year:</b> 2009[9], 2010[A] <b>Vehicle colour:</b> Replica SBK 2009 (s.t.895053)[sbk] <b>Country:</b> CH-DE-DK-EL[EU] <b>Technical Specifications:</b> With decals applied[D]
13	AP8184902	LH baffle	1	<b>Year:</b> 2010[A] <b>Vehicle colour:</b> 'Glam White 2010 [w.glam] <b>Country:</b> Australia[AA], CH-DE-DK-EL[EU] <b>Technical Specifications:</b> With decals applied[D]
13	AP8269337	LH baffle	1	<b>Year:</b> 2010[A] <b>Vehicle colour:</b> Alitalia Replica 2010 (s.t.897896)[r.ali] <b>Technical Specifications:</b> With decals applied[D]
14	AP8150158	Washer 4,3X9X0,8	2	

<b>Group</b>	FRAME
<b>Code</b>	28.09
<b>Description</b>	Front body II
<b>Service</b>	1



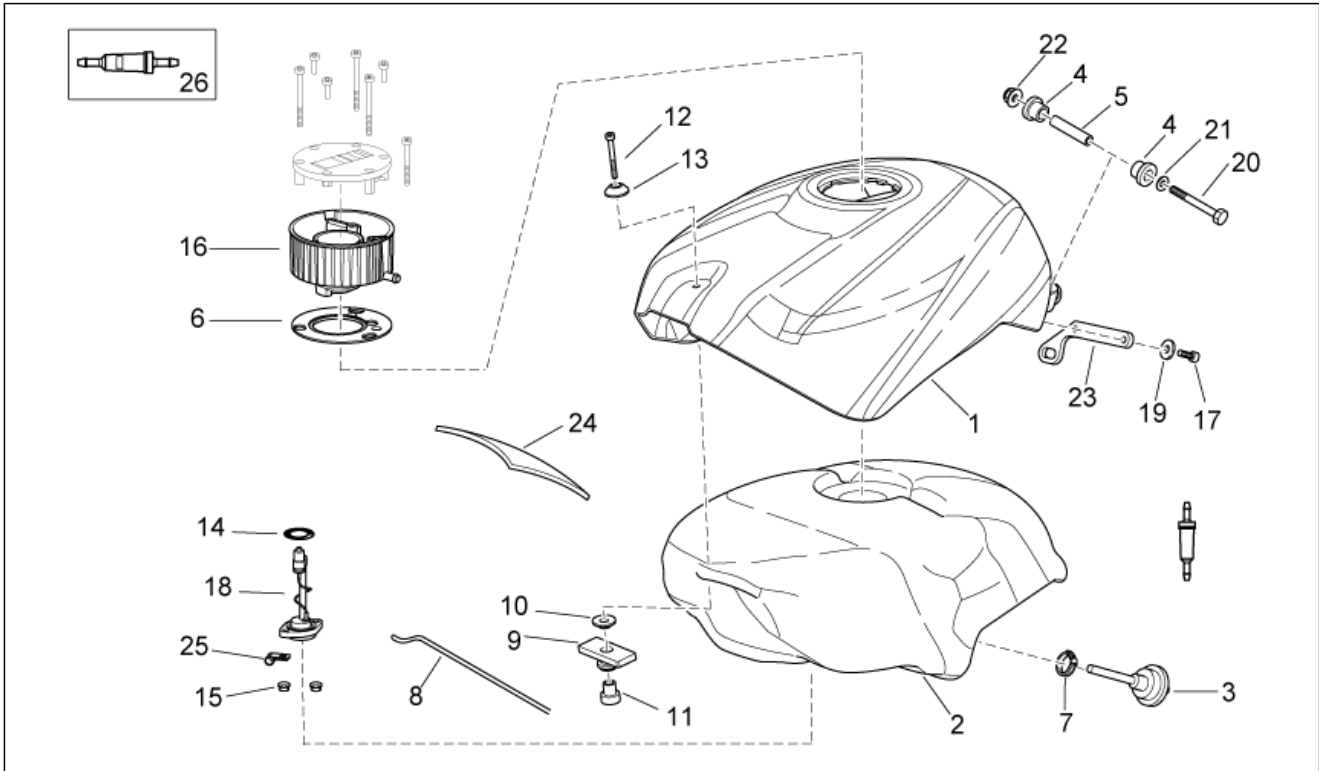
Pos.	Code	Description	Qty	Variants
1	AP8179184	RH internal fairing	1	
2	AP8179185	LH internal fairing	1	
3	AP8179182	Pillar	1	
4	AP8156209	Front mudguard, black	1	<b>Year:</b> 2006[6] <b>Vehicle colour:</b> Aprilia Black 2006 (st.15195)[black] <b>Country:</b> Australia[AA], CH-DE-DK-EL[EU] <b>Technical Specifications:</b> With decals applied[D]
4	AP8156257	Front mudguard, black	1	<b>Year:</b> 2006[6] <b>Vehicle colour:</b> Aprilia White 2006 (st.15196)[white] <b>Country:</b> Australia[AA], CH-DE-DK-EL[EU] <b>Technical Specifications:</b> With decals applied[D]
4	AP8156273	Front mudguard, black	1	<b>Year:</b> 2006[6] <b>Vehicle colour:</b> Trophy Black 2006[RAC6] <b>Country:</b> Australia[AA], CH-DE-DK-EL[EU] <b>Technical Specifications:</b> With decals applied[D]
4	AP8156289	Front mudguard, red	1	<b>Year:</b> 2008[8] <b>Vehicle colour:</b> Spain's number 1 (S.T.856884)[spain8] <b>Country:</b> Australia[AA], CH-DE-DK-EL[EU] <b>Technical Specifications:</b> With decals applied[D]
4	AP8156289	Front mudguard, red	1	<b>Year:</b> 2007[7] <b>Vehicle colour:</b> Spain's N.1 (S.T.852262)[spain7] <b>Country:</b> Australia[AA], CH-DE-DK-EL[EU] <b>Technical Specifications:</b> With decals applied[D]
4	AP8156289	Front mudguard, red	1	<b>Year:</b> 2008[8] <b>Vehicle colour:</b> Spain's number 1 (S.T.856884)[spain8] <b>Country:</b> United States of America[USA] <b>Technical Specifications:</b> With decals applied[D], Racing Version[rac]
4	AP8156351	Front mudguard, black	1	<b>Year:</b> 2009[9] <b>Vehicle colour:</b> Black Aprilia 2008 (s.t.860303)[a.blk], Fluo Red 2008 (s.t.858632)[red] <b>Country:</b> Australia[AA], Indonesia-Malaysia-New Zealand-Singapore[AP] <b>Technical Specifications:</b> With decals applied[D]

<b>Group</b>	FRAME
<b>Code</b>	28.09
<b>Description</b>	Front body II
<b>Service</b>	1



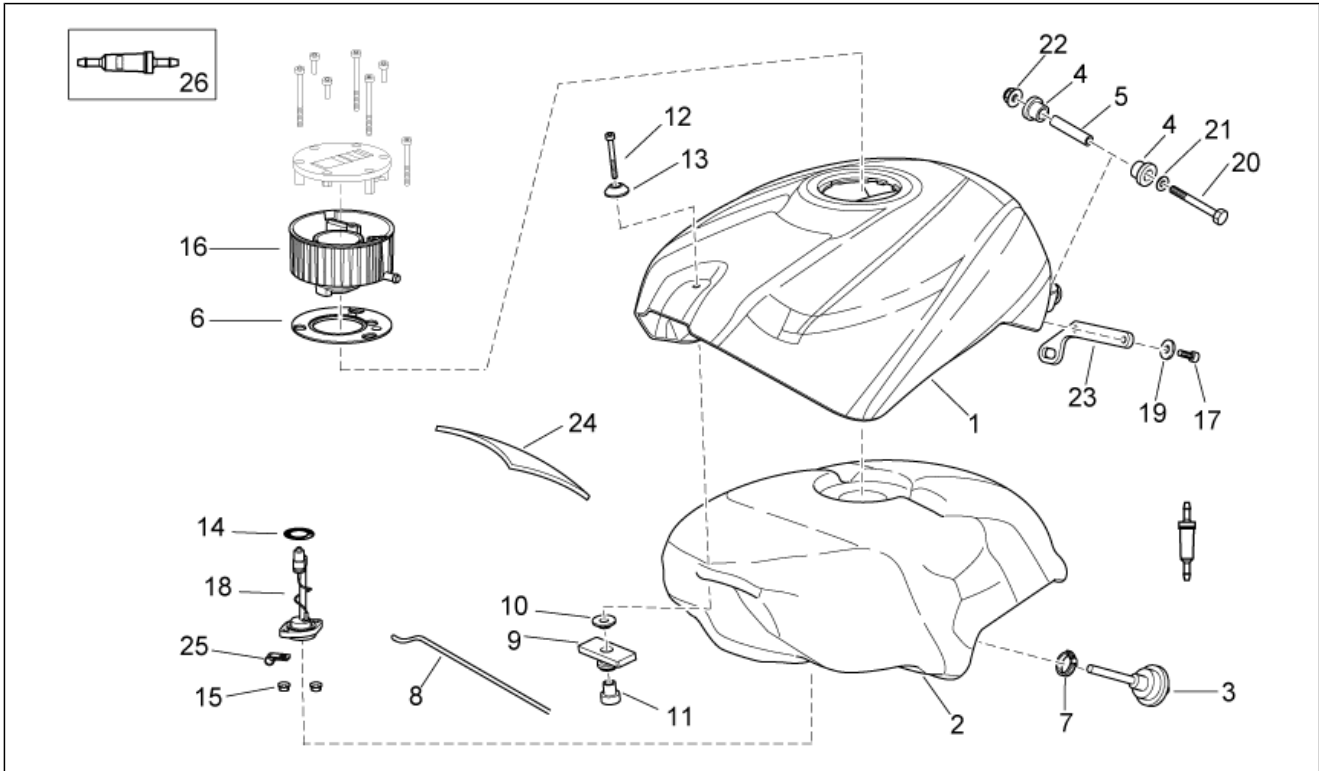
Pos.	Code	Description	Qty	Variants
4	AP8156351	Front mudguard, black	1	Year:2008[8] Vehicle colour:Black Aprilia 2008 (s.t.860303)[a.blk], Fluo Red 2008 (s.t.858632)[red] Country:Australia[AA], CH-DE-DK-EL[EU] Technical Specifications:With decals applied[D]
4	AP8156377	Front mudguard, green	1	Year:2008[8] Vehicle colour:Talmacsi 2008 (st.860957)[tal] Country:Australia[AA], CH-DE-DK-EL[EU] Technical Specifications:With decals applied[D]
4	AP8156386	Front mudguard, black	1	Year:2009[9], 2010[A] Vehicle colour:Replica SBK 2009 (s.t.895053)[sbk] Country:CH-DE-DK-EL[EU] Technical Specifications:With decals applied[D]
4	AP8156387	Front mudguard, black	1	Year:2010[A] Vehicle colour:'Aprilia Black 2010[n.10] Country:Australia[AA], CH-DE-DK-EL[EU] Technical Specifications:With decals applied[D]
4	AP8156388	Front mudguard, white	1	Year:2010[A] Vehicle colour:'Glam White 2010 [w.glam] Country:Australia[AA], CH-DE-DK-EL[EU] Technical Specifications:With decals applied[D]
4	AP8226929	Front mudguard, red	1	Year:2010[A] Vehicle colour:Alitalia Replica 2010 (s.t.897896)[r.ali] Technical Specifications:With decals applied[D]
5	AP8179270	Low.front fairing lockup	1	
6	AP8152351	Screw 4,2x16*	8	
7	AP8152278	Screw w/ flange M6x16	2	
8	AP8152298	Screw w/ flange M5x16	10	
9	AP8102375	Clip m5	4	

<b>Group</b>	FRAME
<b>Code</b>	28.10
<b>Description</b>	Fuel tank
<b>Service</b>	1



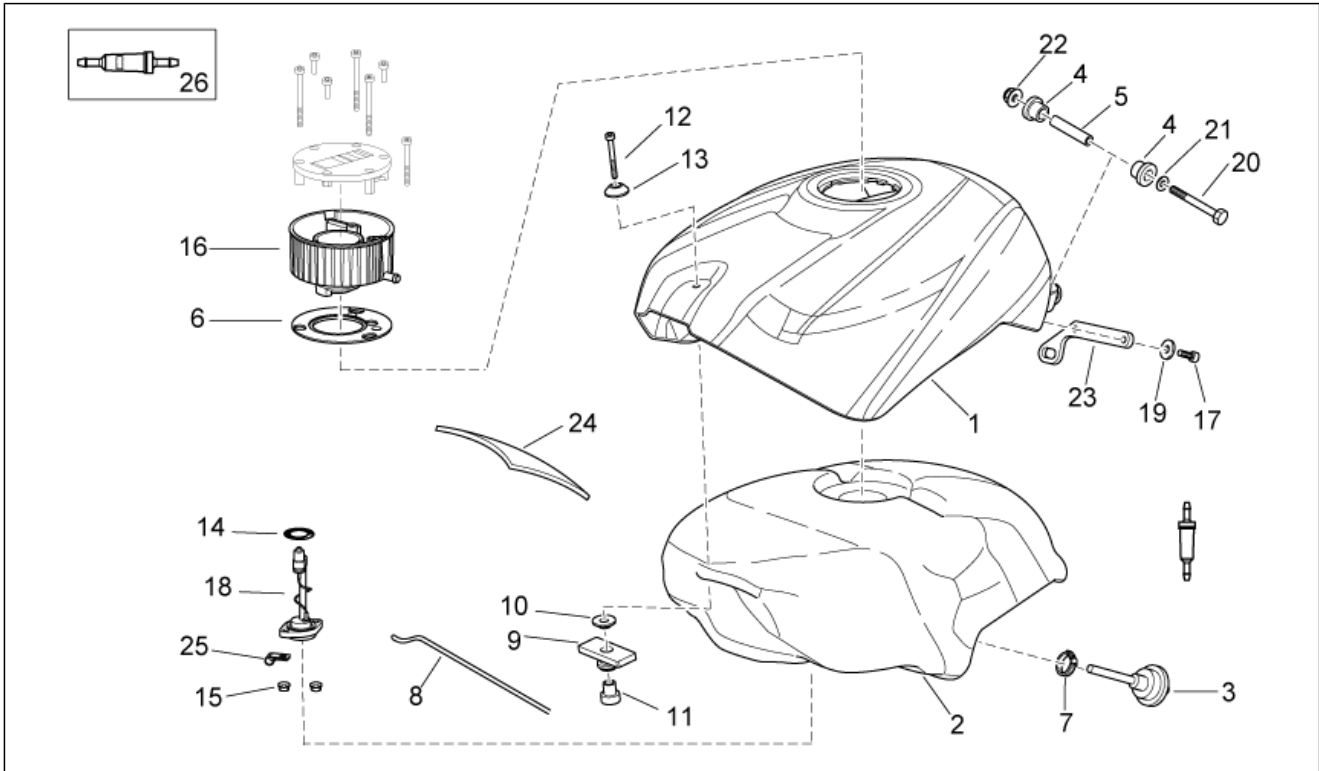
Pos.	Code	Description	Qty	Variants
1	AP8179179	Fuel tank cover, black	1	Year:2006[6] Vehicle colour:Aprilia Black 2006 (st.15195)[black] Country:Australia[AA], CH-DE-DK-EL[EU] Technical Specifications:With decals applied[D]
1	AP8179520	Fuel tank cover, white	1	Year:2006[6] Vehicle colour:Aprilia White 2006 (st.15196)[white] Country:Australia[AA], CH-DE-DK-EL[EU] Technical Specifications:With decals applied[D]
1	AP8179685	Fuel tank cover, white	1	Year:2006[6] Vehicle colour:Trophy Black 2006[RAC6] Country:Australia[AA], CH-DE-DK-EL[EU] Technical Specifications:With decals applied[D]
1	AP8179915	Fuel tank cover, red	1	Year:2008[8] Vehicle colour:Spain's number 1 (S.T.856884)[spain8] Country:United States of America[USA] Technical Specifications:With decals applied[D], Racing Version[rac]
1	AP8179915	Fuel tank cover, red	1	Year:2008[8] Vehicle colour:Spain's number 1 (S.T.856884)[spain8] Country:Australia[AA], CH-DE-DK-EL[EU] Technical Specifications:With decals applied[D]
1	AP8179915	Fuel tank cover, red	1	Year:2007[7] Vehicle colour:Spain's N.1 (S.T.852262)[spain7] Country:Australia[AA], CH-DE-DK-EL[EU] Technical Specifications:With decals applied[D]
1	AP8184607	Fuel tank cover, red	1	Year:2008[8] Vehicle colour:Fluo Red 2008 (s.t.858632)[red] Country:Australia[AA], CH-DE-DK-EL[EU] Technical Specifications:With decals applied[D]
1	AP8184607	Fuel tank cover, red	1	Year:2009[9] Vehicle colour:Fluo Red 2008 (s.t.858632)[red] Country:Australia[AA], Indonesia-Malaysia-New Zealand-Singapore[AP] Technical Specifications:With decals applied[D]
1	AP8184721	Fuel tank cover, black	1	Year:2009[9]

<b>Group</b>	FRAME
<b>Code</b>	28.10
<b>Description</b>	Fuel tank
<b>Service</b>	1



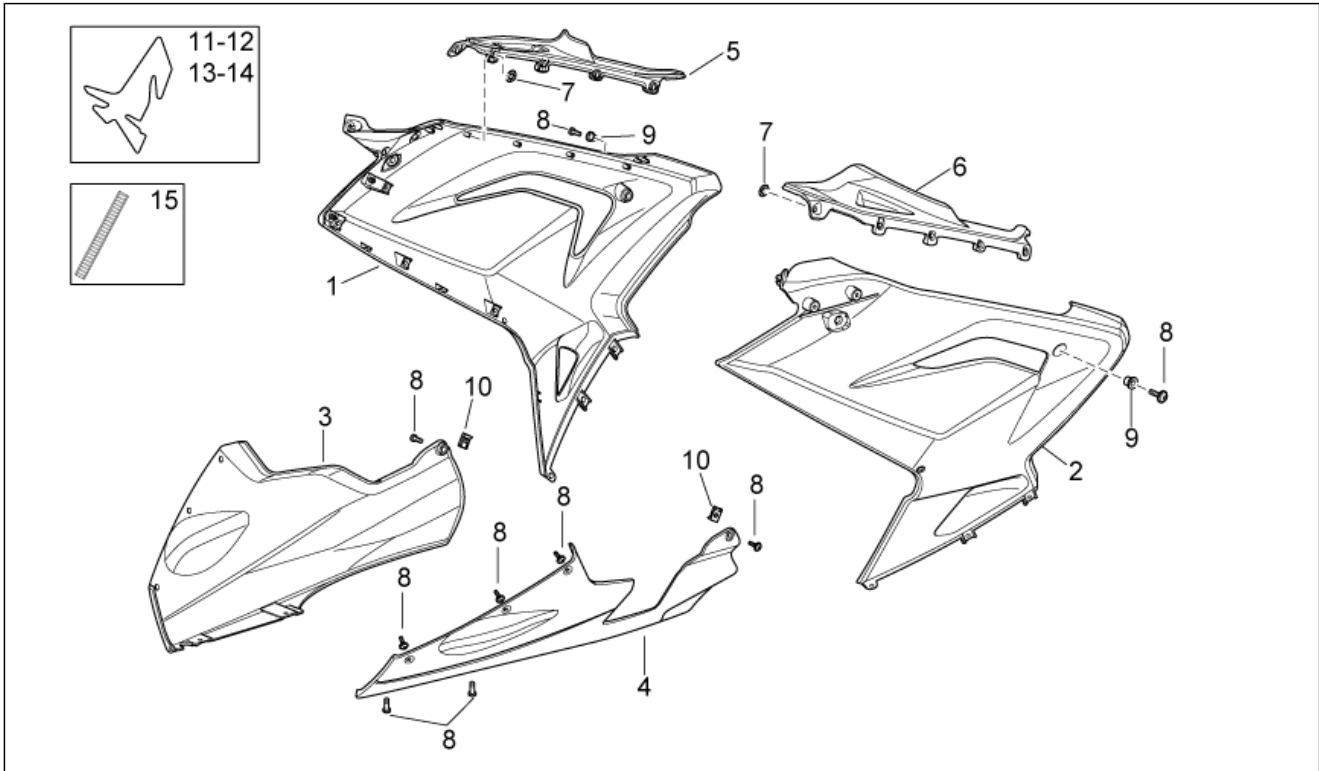
Pos.	Code	Description	Qty	Variants
				<b>Vehicle colour:</b> Black Aprilia 2008 (s.t.860303)[a.blk] <b>Country:</b> Australia[AA], Indonesia-Malaysia-New Zealand-Singapore[AP] <b>Technical Specifications:</b> With decals applied[D]
1	AP8184721	Fuel tank cover, black	1	<b>Year:</b> 2008[8] <b>Vehicle colour:</b> Black Aprilia 2008 (s.t.860303)[a.blk] <b>Country:</b> Australia[AA], CH-DE-DK-EL[EU] <b>Technical Specifications:</b> With decals applied[D]
1	AP8184744	Fuel tank cover, green	1	<b>Year:</b> 2008[8] <b>Vehicle colour:</b> Talmacsi 2008 (st.860957)[tal] <b>Country:</b> Australia[AA], CH-DE-DK-EL[EU] <b>Technical Specifications:</b> With decals applied[D]
1	AP8184857	Fuel tank cover, black	1	<b>Year:</b> 2009[9], 2010[A] <b>Vehicle colour:</b> Replica SBK 2009 (s.t.895053)[sbk] <b>Country:</b> CH-DE-DK-EL[EU] <b>Technical Specifications:</b> With decals applied[D]
1	AP8184885	Fuel tank cover, black	1	<b>Year:</b> 2010[A] <b>Vehicle colour:</b> 'Aprilia Black 2010[n.10] <b>Country:</b> Australia[AA], CH-DE-DK-EL[EU] <b>Technical Specifications:</b> With decals applied[D]
1	AP8184895	Fuel tank cover, white	1	<b>Year:</b> 2010[A] <b>Vehicle colour:</b> 'Glam White 2010 [w.glam] <b>Country:</b> Australia[AA], CH-DE-DK-EL[EU] <b>Technical Specifications:</b> With decals applied[D]
1	AP8269328	Fuel tank cover, white	1	<b>Year:</b> 2010[A] <b>Vehicle colour:</b> Alitalia Replica 2010 (s.t.897896)[r.ali] <b>Technical Specifications:</b> With decals applied[D]
2	AP8179394	Fuel tank cpl.	1	
3	AP8201824	Vacuum fuel tap	1	
4	AP8120709	Rubber spacer *	2	
5	AP8152153	Rear spacer	1	
6	AP8144159	Fuel tank gasket	1	
7	AP8101573	Hose clamp D16-24x8*	1	

<b>Group</b>	FRAME
<b>Code</b>	28.10
<b>Description</b>	Fuel tank
<b>Service</b>	1



Pos.	Code	Description	Qty	Variants
8	AP8121324	Fuel tank fastener rod	1	
9	AP8120557	Tank rubber	1	
10	AP8121114	T bush *	1	
11	AP8221106	Rear brake lever bush	1	
12	AP8150202	Hex socket screw M6x50	1	
13	AP8121819	Washer 6,5x12,5*	1	
14	AP8120869	O-ring 4093	1	
15	AP8152306	Self-locking nut m5	2	
16	AP8179343	Float chamber	1	
17	AP8150050	Hex socket screw M5x16	2	
18	AP8124437	Fuel level sensor	1	
19	AP8150248	Washer 5,5x15x1,6	2	
20	AP8150314	Screw	1	
21	AP8150014	Washer 6,4x12,5*	1	
22	AP8152299	Self-locking nut M6	1	
23	AP8144177	Fuel tank spacer	1	
24	AP8117073	Adhesive sponge	1	
25	AP8101890	Black hose D8	1	
26	624522	Vacuum filter	1	

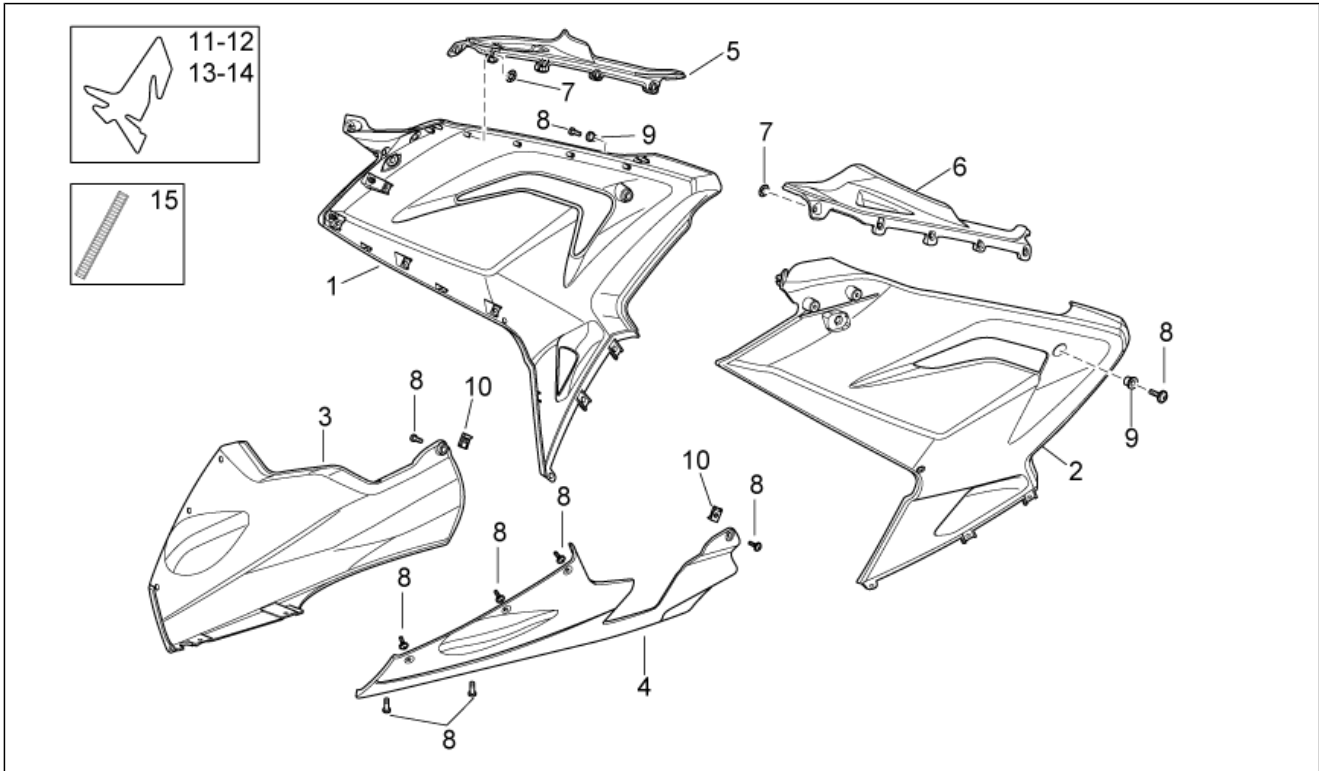
<b>Group</b>	FRAME
<b>Code</b>	28.11
<b>Description</b>	Central body
<b>Service</b>	1



Pos.	Code	Description	Qty	Variants
1	AP8179195	RH side panel upper	1	Year:2006[6] Vehicle colour:Aprilia Black 2006 (st.15195)[black] Country:Australia[AA], CH-DE-DK-EL[EU] Technical Specifications:With decals applied[D]
1	AP8179521	RH side panel upper	1	Year:2006[6] Vehicle colour:Aprilia White 2006 (st.15196)[white] Country:Australia[AA], CH-DE-DK-EL[EU] Technical Specifications:With decals applied[D]
1	AP8179682	RH side panel upper	1	Year:2006[6] Vehicle colour:Trophy Black 2006[RAC6] Country:Australia[AA], CH-DE-DK-EL[EU]
1	AP8179917	RH side panel upper	1	Year:2008[8] Vehicle colour:Spain's number 1 (S.T.856884)[spain8] Country:United States of America[USA] Technical Specifications:With decals applied[D], Racing Version[rac]
1	AP8179917	RH side panel upper	1	Year:2008[8] Vehicle colour:Spain's number 1 (S.T.856884)[spain8] Country:Australia[AA], CH-DE-DK-EL[EU] Technical Specifications:With decals applied[D], turn indicator 4led[F4]
1	AP8179917	RH side panel upper	1	Year:2007[7] Vehicle colour:Spain's N.1 (S.T.852262)[spain7] Country:Australia[AA], CH-DE-DK-EL[EU] Technical Specifications:With decals applied[D], turn indicator 4led[F4]
1	AP8184609	RH side panel upper	1	Year:2008[8] Vehicle colour:Fluo Red 2008 (s.t.858632)[red] Country:Australia[AA], CH-DE-DK-EL[EU] Technical Specifications:With decals applied[D], turn indicator 4led[F4]
1	AP8184723	RH side panel upper	1	Year:2008[8] Vehicle colour:Black Aprilia 2008 (s.t.860303)[a.blk] Country:Australia[AA], CH-DE-DK-EL[EU]



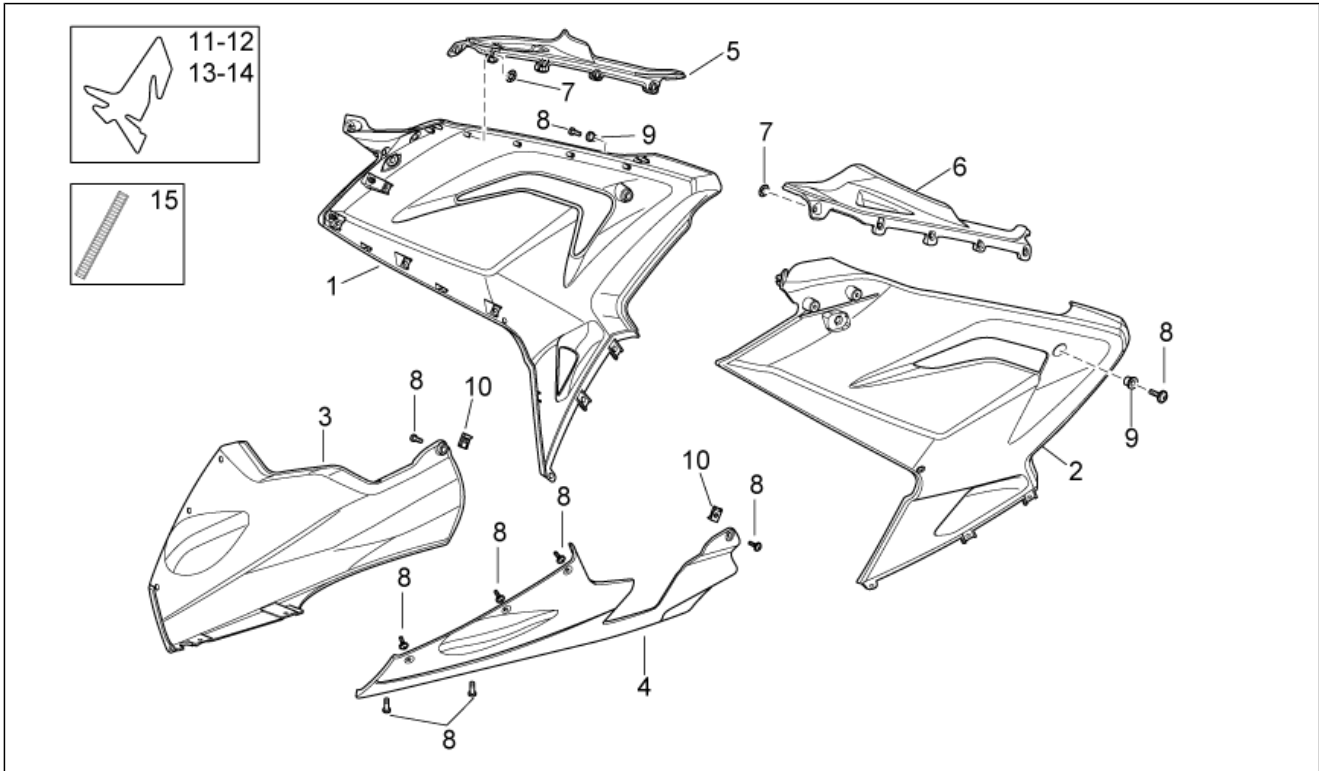
<b>Group</b>	FRAME
<b>Code</b>	28.11
<b>Description</b>	Central body
<b>Service</b>	1



Pos.	Code	Description	Qty	Variants
				<b>Technical Specifications:</b> With decals applied[D], turn indicator 4led[F4]
1	AP8184746	RH side panel upper	1	<b>Year:</b> 2008[8] <b>Vehicle colour:</b> Talmacsi 2008 (st.860957)[tal] <b>Country:</b> Australia[AA], CH-DE-DK-EL[EU] <b>Technical Specifications:</b> With decals applied[D], turn indicator 4led[F4]
1	AP8184763	RH side panel upper	1	<b>Year:</b> 2009[9] <b>Vehicle colour:</b> Black Aprilia 2008 (s.t.860303)[a.blk] <b>Country:</b> Australia[AA], Indonesia-Malaysia-New Zealand-Singapore[AP] <b>Technical Specifications:</b> With decals applied[D], turn indicator 1led[F1]
1	AP8184763	RH side panel upper	1	<b>Year:</b> 2008[8] <b>Vehicle colour:</b> Black Aprilia 2008 (s.t.860303)[a.blk] <b>Country:</b> Australia[AA], CH-DE-DK-EL[EU] <b>Technical Specifications:</b> With decals applied[D], turn indicator 1led[F1]
1	AP8184767	RH side panel upper	1	<b>Year:</b> 2008[8] <b>Vehicle colour:</b> Fluo Red 2008 (s.t.858632)[red] <b>Country:</b> Australia[AA], CH-DE-DK-EL[EU] <b>Technical Specifications:</b> With decals applied[D], turn indicator 1led[F1]
1	AP8184767	RH side panel upper	1	<b>Year:</b> 2009[9] <b>Vehicle colour:</b> Fluo Red 2008 (s.t.858632)[red] <b>Country:</b> Australia[AA], Indonesia-Malaysia-New Zealand-Singapore[AP] <b>Technical Specifications:</b> With decals applied[D], turn indicator 1led[F1]
1	AP8184771	RH side panel upper	1	<b>Year:</b> 2008[8] <b>Vehicle colour:</b> Spain's number 1 (S.T.856884)[spain8] <b>Country:</b> Australia[AA], CH-DE-DK-EL[EU] <b>Technical Specifications:</b> With decals applied[D], turn indicator 1led[F1]
1	AP8184771	RH side panel upper	1	<b>Year:</b> 2007[7]

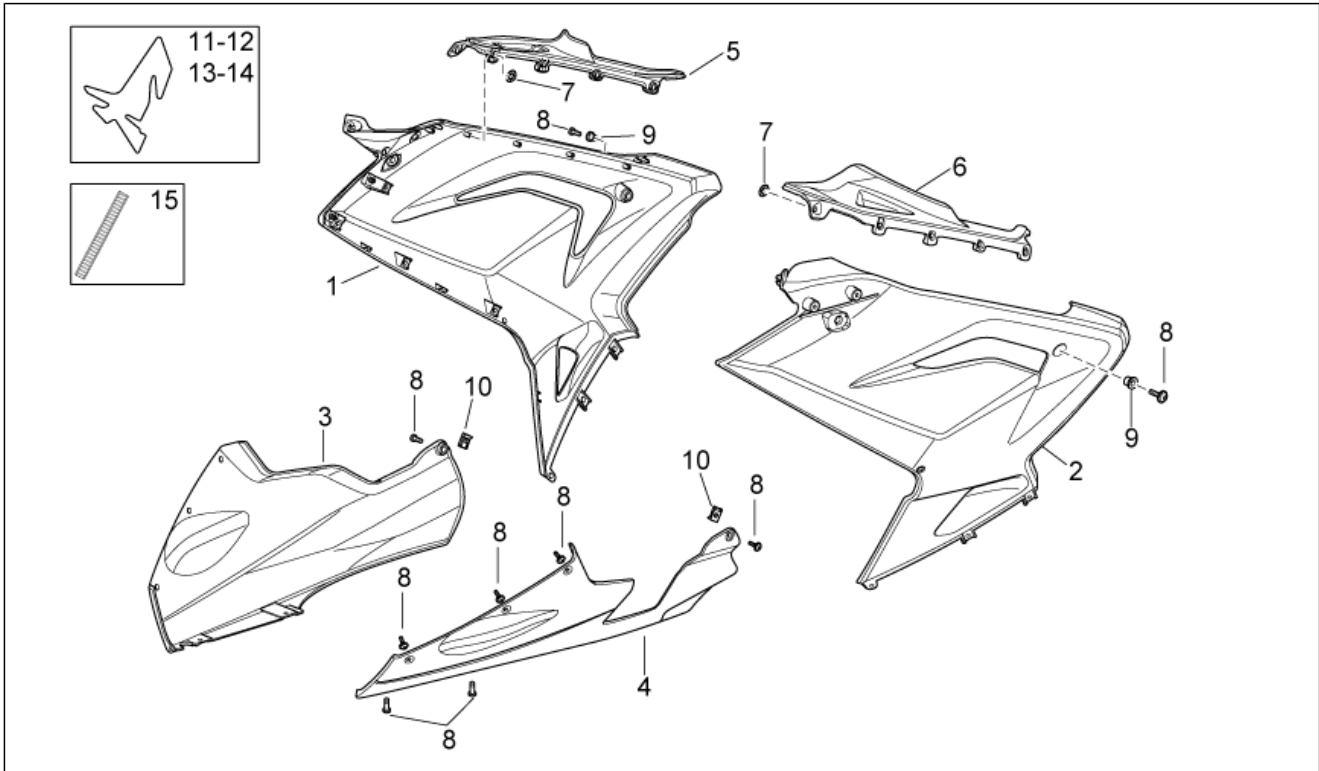


<b>Group</b>	FRAME
<b>Code</b>	28.11
<b>Description</b>	Central body
<b>Service</b>	1



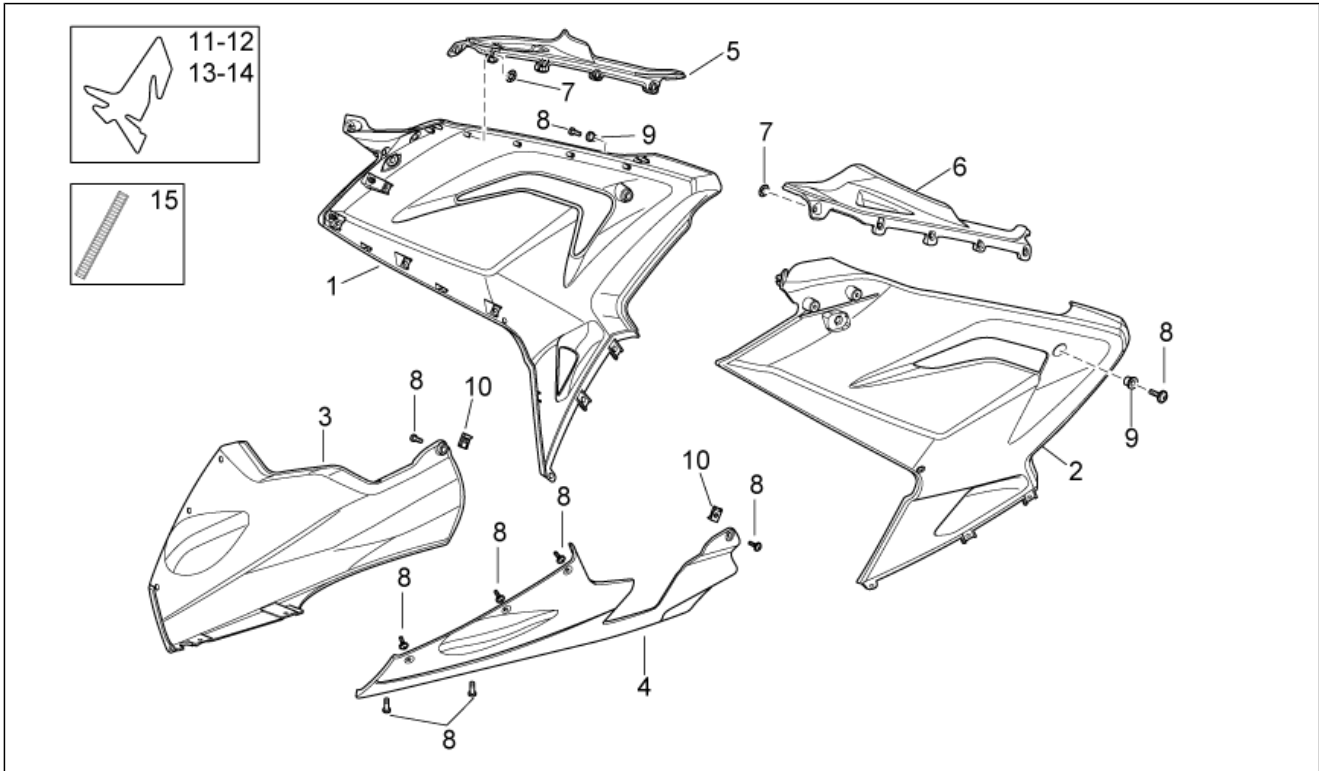
Pos.	Code	Description	Qty	Variants
				<b>Vehicle colour:</b> Spain's N.1 (S.T.852262)[spain7] <b>Country:</b> Australia[AA], CH-DE-DK-EL[EU] <b>Technical Specifications:</b> With decals applied[D], turn indicator 1led[F1]
1	AP8184776	RH side panel upper	1	<b>Year:</b> 2008[8] <b>Vehicle colour:</b> Talmacsi 2008 (st.860957)[tal] <b>Country:</b> Australia[AA], CH-DE-DK-EL[EU] <b>Technical Specifications:</b> With decals applied[D], turn indicator 1led[F1]
1	AP8184859	RH side panel upper	1	<b>Year:</b> 2009[9], 2010[A] <b>Vehicle colour:</b> Replica SBK 2009 (s.t.895053)[sbk] <b>Country:</b> CH-DE-DK-EL[EU] <b>Technical Specifications:</b> With decals applied[D], turn indicator 1led[F1]
1	AP8184887	RH side panel upper	1	<b>Year:</b> 2010[A] <b>Vehicle colour:</b> 'Aprilia Black 2010[n.10] <b>Country:</b> Australia[AA], CH-DE-DK-EL[EU] <b>Technical Specifications:</b> With decals applied[D]
1	AP8184897	RH side panel upper	1	<b>Year:</b> 2010[A] <b>Vehicle colour:</b> 'Glam White 2010 [w.glam] <b>Country:</b> Australia[AA], CH-DE-DK-EL[EU] <b>Technical Specifications:</b> With decals applied[D]
1	AP8269330	RH side panel upper	1	<b>Year:</b> 2010[A] <b>Vehicle colour:</b> Alitalia Replica 2010 (s.t.897896)[r.ali] <b>Technical Specifications:</b> With decals applied[D]
2	AP8179194	LH side panel upper	1	<b>Year:</b> 2006[6] <b>Vehicle colour:</b> Aprilia Black 2006 (st.15195)[black] <b>Country:</b> Australia[AA], CH-DE-DK-EL[EU] <b>Technical Specifications:</b> With decals applied[D]
2	AP8179522	LH side panel upper	1	<b>Year:</b> 2006[6] <b>Vehicle colour:</b> Aprilia White 2006 (st.15196)[white] <b>Country:</b> Australia[AA], CH-DE-DK-EL[EU] <b>Technical Specifications:</b> With decals applied[D]
2	AP8179683	LH side panel upper	1	<b>Year:</b> 2006[6] <b>Vehicle colour:</b> Trophy Black 2006[RAC6]

<b>Group</b>	FRAME
<b>Code</b>	28.11
<b>Description</b>	Central body
<b>Service</b>	1



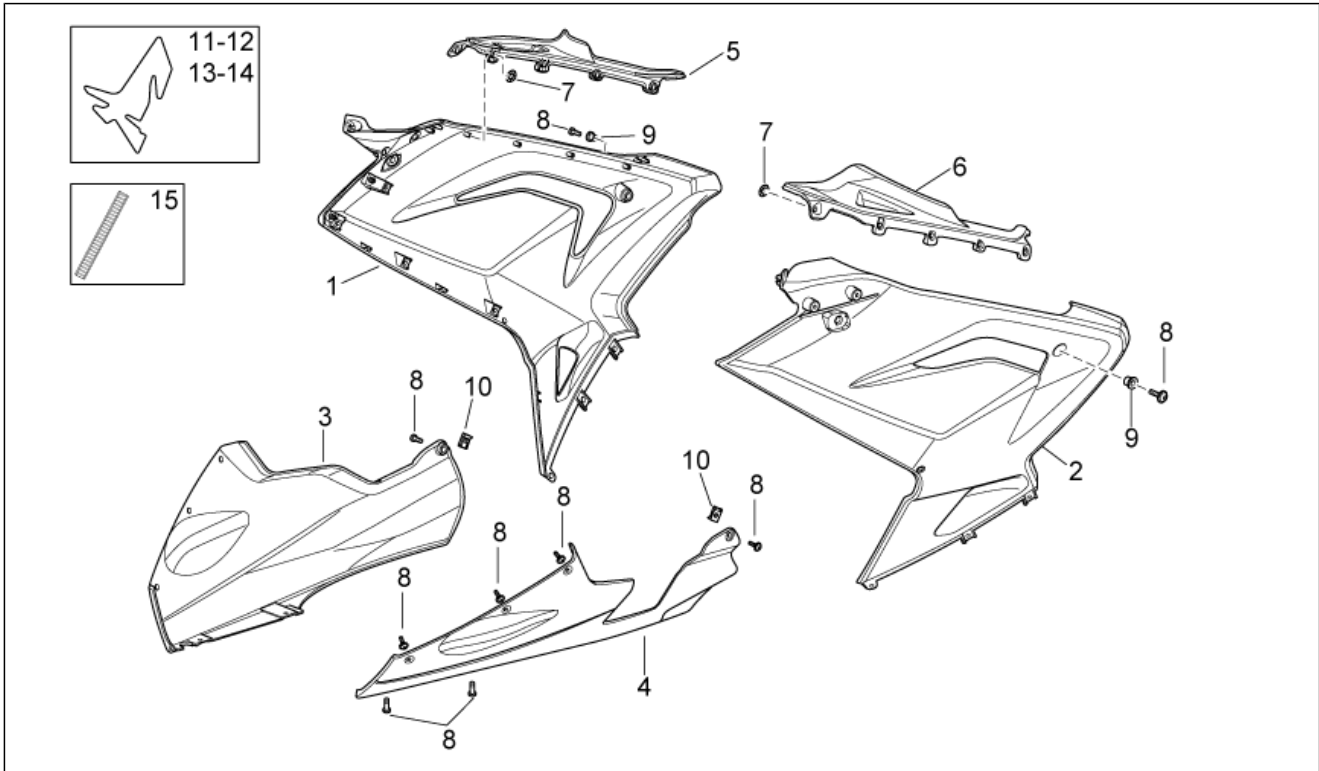
Pos.	Code	Description	Qty	Variants
				<b>Country:</b> Australia[AA], CH-DE-DK-EL[EU]
2	AP8179918	LH side panel upper	1	<b>Year:</b> 2007[7] <b>Vehicle colour:</b> Spain's N.1 (S.T.852262)[spain7] <b>Country:</b> Australia[AA], CH-DE-DK-EL[EU] <b>Technical Specifications:</b> With decals applied[D], turn indicator 4led[F4]
2	AP8179918	LH side panel upper	1	<b>Year:</b> 2008[8] <b>Vehicle colour:</b> Spain's number 1 (S.T.856884)[spain8] <b>Country:</b> Australia[AA], CH-DE-DK-EL[EU] <b>Technical Specifications:</b> With decals applied[D], turn indicator 4led[F4]
2	AP8179918	LH side panel upper	1	<b>Year:</b> 2008[8] <b>Vehicle colour:</b> Spain's number 1 (S.T.856884)[spain8] <b>Country:</b> United States of America[USA] <b>Technical Specifications:</b> With decals applied[D], Racing Version[rac]
2	AP8184610	LH side panel upper	1	<b>Year:</b> 2008[8] <b>Vehicle colour:</b> Fluo Red 2008 (s.t.858632)[red] <b>Country:</b> Australia[AA], CH-DE-DK-EL[EU] <b>Technical Specifications:</b> With decals applied[D], turn indicator 4led[F4]
2	AP8184724	LH side panel upper	1	<b>Year:</b> 2008[8] <b>Vehicle colour:</b> Black Aprilia 2008 (s.t.860303)[a.blk] <b>Country:</b> Australia[AA], CH-DE-DK-EL[EU] <b>Technical Specifications:</b> With decals applied[D], turn indicator 4led[F4]
2	AP8184747	LH side panel upper	1	<b>Year:</b> 2008[8] <b>Vehicle colour:</b> Talmacsi 2008 (st.860957)[tal] <b>Country:</b> Australia[AA], CH-DE-DK-EL[EU] <b>Technical Specifications:</b> With decals applied[D], turn indicator 4led[F4]
2	AP8184764	LH side panel upper	1	<b>Year:</b> 2009[9] <b>Vehicle colour:</b> Black Aprilia 2008 (s.t.860303)[a.blk] <b>Country:</b> Australia[AA], Indonesia-Malaysia-New Zealand-Singapore[AP]

<b>Group</b>	FRAME
<b>Code</b>	28.11
<b>Description</b>	Central body
<b>Service</b>	1



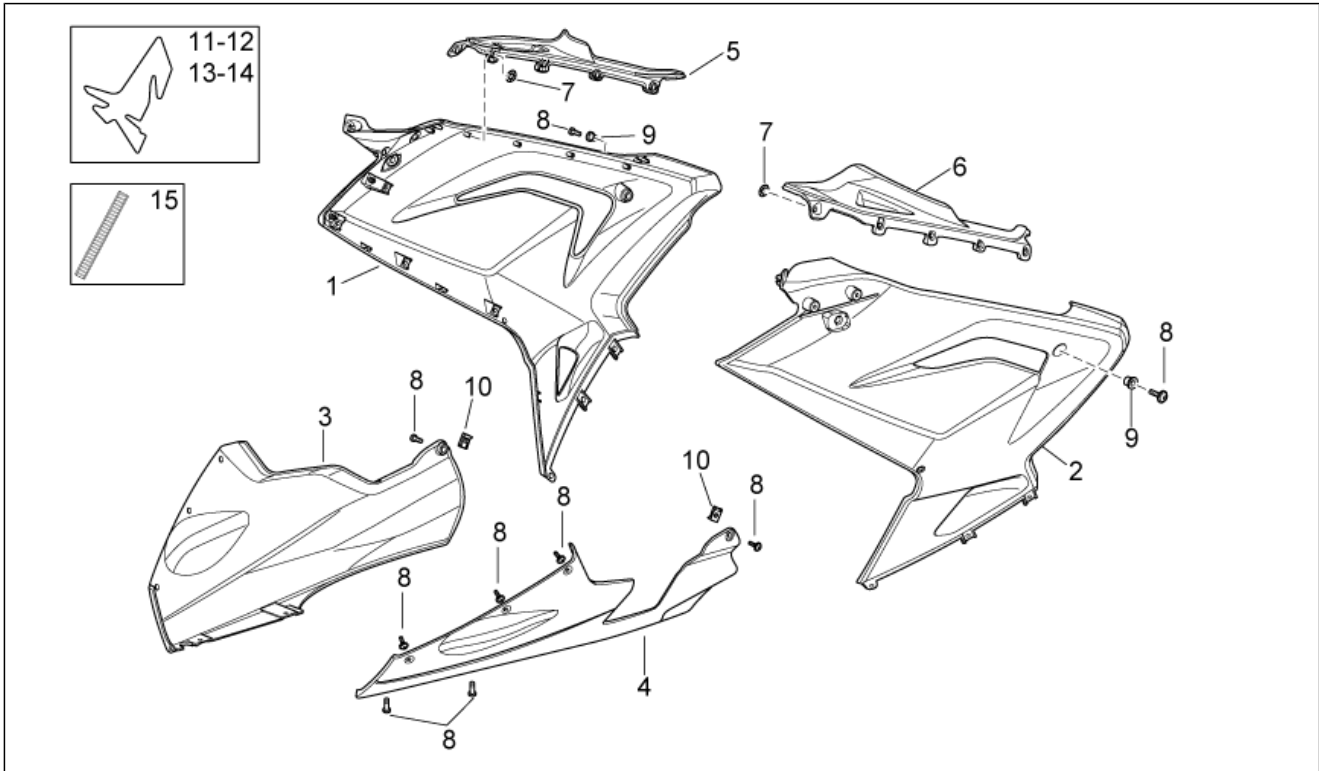
Pos.	Code	Description	Qty	Variants
				<b>Technical Specifications:</b> With decals applied[D], turn indicator 1led[F1]
2	AP8184764	LH side panel upper	1	<b>Year:</b> 2008[8] <b>Vehicle colour:</b> Black Aprilia 2008 (s.t.860303)[a.blk] <b>Country:</b> Australia[AA], CH-DE-DK-EL[EU] <b>Technical Specifications:</b> With decals applied[D], turn indicator 1led[F1]
2	AP8184768	LH side panel upper	1	<b>Year:</b> 2008[8] <b>Vehicle colour:</b> Fluo Red 2008 (s.t.858632)[red] <b>Country:</b> Australia[AA], CH-DE-DK-EL[EU] <b>Technical Specifications:</b> With decals applied[D], turn indicator 1led[F1]
2	AP8184768	LH side panel upper	1	<b>Year:</b> 2009[9] <b>Vehicle colour:</b> Fluo Red 2008 (s.t.858632)[red] <b>Country:</b> Australia[AA], Indonesia-Malaysia-New Zealand-Singapore[AP] <b>Technical Specifications:</b> With decals applied[D], turn indicator 1led[F1]
2	AP8184772	LH side panel upper	1	<b>Year:</b> 2008[8] <b>Vehicle colour:</b> Spain's number 1 (S.T.856884)[spain8] <b>Country:</b> Australia[AA], CH-DE-DK-EL[EU] <b>Technical Specifications:</b> With decals applied[D], turn indicator 1led[F1]
2	AP8184772	LH side panel upper	1	<b>Year:</b> 2007[7] <b>Vehicle colour:</b> Spain's N.1 (S.T.852262)[spain7] <b>Country:</b> Australia[AA], CH-DE-DK-EL[EU] <b>Technical Specifications:</b> With decals applied[D], turn indicator 1led[F1]
2	AP8184775	LH side panel upper	1	<b>Year:</b> 2008[8] <b>Vehicle colour:</b> Talmacsi 2008 (st.860957)[tal] <b>Country:</b> Australia[AA], CH-DE-DK-EL[EU] <b>Technical Specifications:</b> With decals applied[D], turn indicator 1led[F1]
2	AP8184860	LH side panel upper	1	<b>Year:</b> 2009[9], 2010[A] <b>Vehicle colour:</b> Replica SBK 2009 (s.t.895053)[sbk]

<b>Group</b>	FRAME
<b>Code</b>	28.11
<b>Description</b>	Central body
<b>Service</b>	1



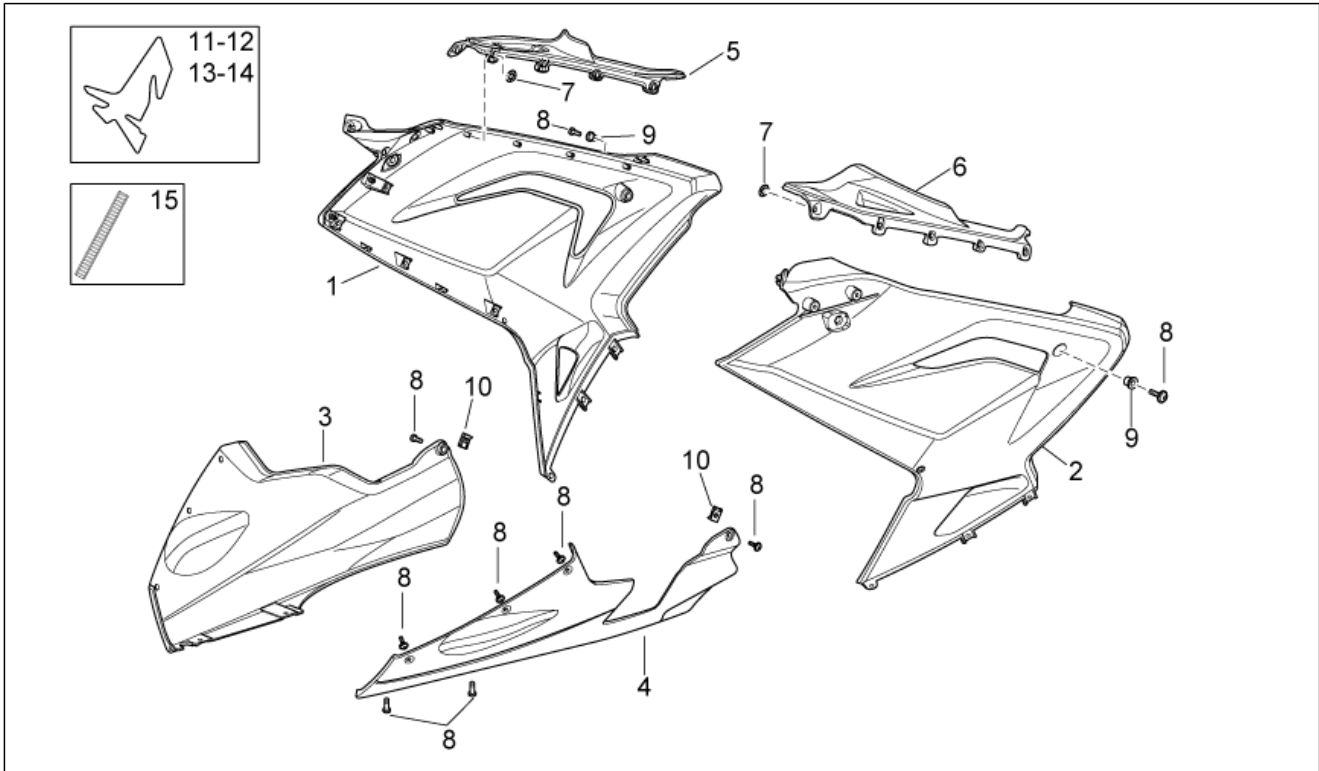
Pos.	Code	Description	Qty	Variants
				<b>Country:</b> CH-DE-DK-EL[EU] <b>Technical Specifications:</b> With decals applied[D], turn indicator 1led[F1]
2	AP8184888	LH side panel upper	1	<b>Year:</b> 2010[A] <b>Vehicle colour:</b> 'Aprilia Black 2010[n.10] <b>Country:</b> Australia[AA], CH-DE-DK-EL[EU] <b>Technical Specifications:</b> With decals applied[D]
2	AP8184898	LH side panel upper	1	<b>Year:</b> 2010[A] <b>Vehicle colour:</b> 'Glam White 2010 [w.glam] <b>Country:</b> Australia[AA], CH-DE-DK-EL[EU] <b>Technical Specifications:</b> With decals applied[D]
2	AP8269331	LH side panel upper	1	<b>Year:</b> 2010[A] <b>Vehicle colour:</b> Alitalia Replica 2010 (s.t.897896)[r.ali] <b>Technical Specifications:</b> With decals applied[D]
3	AP8179190	RH side panel,lower	1	<b>Year:</b> 2006[6] <b>Vehicle colour:</b> Aprilia Black 2006 (st.15195)[black], Aprilia White 2006 (st.15196)[white] <b>Country:</b> Australia[AA], CH-DE-DK-EL[EU] <b>Technical Specifications:</b> With decals applied[D]
3	AP8179726	RH side panel,lower	1	<b>Year:</b> 2006[6] <b>Vehicle colour:</b> Trophy Black 2006[RAC6] <b>Country:</b> Australia[AA], CH-DE-DK-EL[EU] <b>Technical Specifications:</b> With decals applied[D]
3	AP8179919	RH side panel,lower	1	<b>Year:</b> 2008[8] <b>Vehicle colour:</b> Spain's number 1 (S.T.856884)[spain8] <b>Country:</b> United States of America[USA] <b>Technical Specifications:</b> With decals applied[D], Racing Version[rac]
3	AP8179919	RH side panel,lower	1	<b>Year:</b> 2008[8] <b>Vehicle colour:</b> Spain's number 1 (S.T.856884)[spain8] <b>Country:</b> Australia[AA], CH-DE-DK-EL[EU] <b>Technical Specifications:</b> With decals applied[D]
3	AP8179919	RH side panel,lower	1	<b>Year:</b> 2007[7] <b>Vehicle colour:</b> Spain's N.1 (S.T.852262)[spain7] <b>Country:</b> Australia[AA], CH-DE-DK-EL[EU]

<b>Group</b>	FRAME
<b>Code</b>	28.11
<b>Description</b>	Central body
<b>Service</b>	1



Pos.	Code	Description	Qty	Variants
				<b>Technical Specifications:</b> With decals applied[D]
3	AP8184611	RH side panel,lower	1	<b>Year:</b> 2008[8] <b>Vehicle colour:</b> Black Aprilia 2008 (s.t.860303)[a.blk], Fluo Red 2008 (s.t.858632)[red] <b>Country:</b> Australia[AA], CH-DE-DK-EL[EU] <b>Technical Specifications:</b> With decals applied[D]
3	AP8184611	RH side panel,lower	1	<b>Year:</b> 2009[9] <b>Vehicle colour:</b> Black Aprilia 2008 (s.t.860303)[a.blk], Fluo Red 2008 (s.t.858632)[red] <b>Country:</b> Australia[AA] <b>Technical Specifications:</b> With decals applied[D]
3	AP8184748	RH side panel,lower	1	<b>Year:</b> 2008[8] <b>Vehicle colour:</b> Talmacsi 2008 (st.860957)[tal] <b>Country:</b> Australia[AA], CH-DE-DK-EL[EU] <b>Technical Specifications:</b> With decals applied[D]
3	AP8184861	RH side panel,lower	1	<b>Year:</b> 2009[9], 2010[A] <b>Vehicle colour:</b> Replica SBK 2009 (s.t.895053)[sbk] <b>Country:</b> CH-DE-DK-EL[EU] <b>Technical Specifications:</b> With decals applied[D]
3	AP8184889	RH side panel,lower	1	<b>Year:</b> 2010[A] <b>Vehicle colour:</b> 'Aprilia Black 2010[n.10], 'Glam White 2010 [w.glam] <b>Country:</b> Australia[AA], CH-DE-DK-EL[EU] <b>Technical Specifications:</b> With decals applied[D]
3	AP8269332	RH side panel,lower	1	<b>Year:</b> 2010[A] <b>Vehicle colour:</b> Alitalia Replica 2010 (s.t.897896)[r.ali] <b>Technical Specifications:</b> With decals applied[D]
4	AP8179191	LH side panel, lower	1	<b>Year:</b> 2006[6] <b>Vehicle colour:</b> Aprilia Black 2006 (st.15195)[black], Aprilia White 2006 (st.15196)[white] <b>Country:</b> Australia[AA], CH-DE-DK-EL[EU] <b>Technical Specifications:</b> With decals applied[D]
4	AP8179727	LH side panel, lower	1	<b>Year:</b> 2006[6] <b>Vehicle colour:</b> Trophy Black 2006[RAC6] <b>Country:</b> Australia[AA], CH-DE-DK-EL[EU]

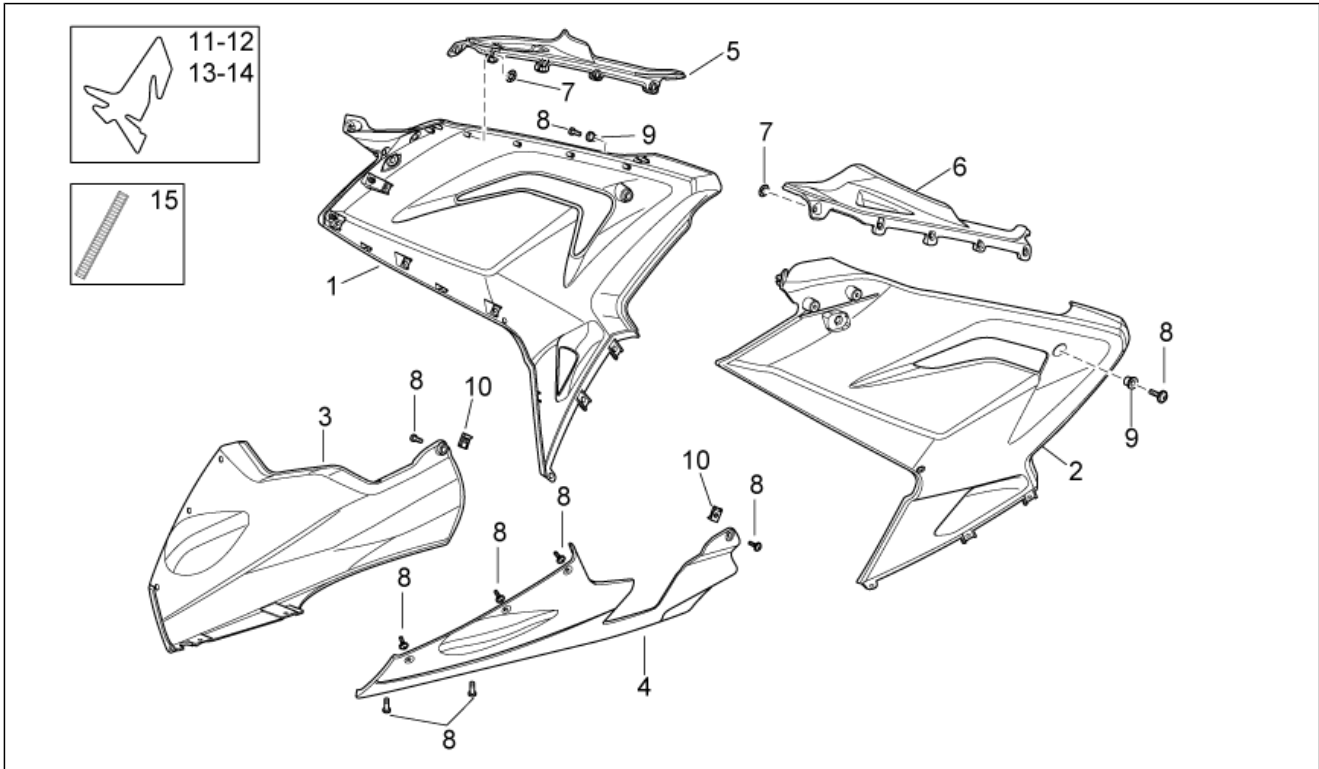
<b>Group</b>	FRAME
<b>Code</b>	28.11
<b>Description</b>	Central body
<b>Service</b>	1



Pos.	Code	Description	Qty	Variants
				<b>Technical Specifications:</b> With decals applied[D]
4	AP8179920	LH side panel, lower	1	<b>Year:</b> 2007[7] <b>Vehicle colour:</b> Spain's N.1 (S.T.852262)[spain7] <b>Country:</b> Australia[AA], CH-DE-DK-EL[EU] <b>Technical Specifications:</b> With decals applied[D]
4	AP8179920	LH side panel, lower	1	<b>Year:</b> 2008[8] <b>Vehicle colour:</b> Spain's number 1 (S.T.856884)[spain8] <b>Country:</b> Australia[AA], CH-DE-DK-EL[EU] <b>Technical Specifications:</b> With decals applied[D]
4	AP8179920	LH side panel, lower	1	<b>Year:</b> 2008[8] <b>Vehicle colour:</b> Spain's number 1 (S.T.856884)[spain8] <b>Country:</b> United States of America[USA] <b>Technical Specifications:</b> With decals applied[D], Racing Version[rac]
4	AP8184612	LH side panel, lower	1	<b>Year:</b> 2009[9] <b>Vehicle colour:</b> Black Aprilia 2008 (s.t.860303)[a.blk], Fluo Red 2008 (s.t.858632)[red] <b>Country:</b> Australia[AA], Indonesia-Malaysia-New Zealand-Singapore[AP] <b>Technical Specifications:</b> With decals applied[D]
4	AP8184612	LH side panel, lower	1	<b>Year:</b> 2008[8] <b>Vehicle colour:</b> Black Aprilia 2008 (s.t.860303)[a.blk], Fluo Red 2008 (s.t.858632)[red] <b>Country:</b> Australia[AA], CH-DE-DK-EL[EU] <b>Technical Specifications:</b> With decals applied[D]
4	AP8184749	LH side panel, lower	1	<b>Year:</b> 2008[8] <b>Vehicle colour:</b> Talmacsi 2008 (st.860957)[tal] <b>Country:</b> Australia[AA], CH-DE-DK-EL[EU] <b>Technical Specifications:</b> With decals applied[D]
4	AP8184862	LH side panel, lower	1	<b>Year:</b> 2009[9], 2010[A] <b>Vehicle colour:</b> Replica SBK 2009 (s.t.895053)[sbk] <b>Country:</b> CH-DE-DK-EL[EU] <b>Technical Specifications:</b> With decals applied[D]
4	AP8184890	LH side panel, lower	1	<b>Year:</b> 2010[A]

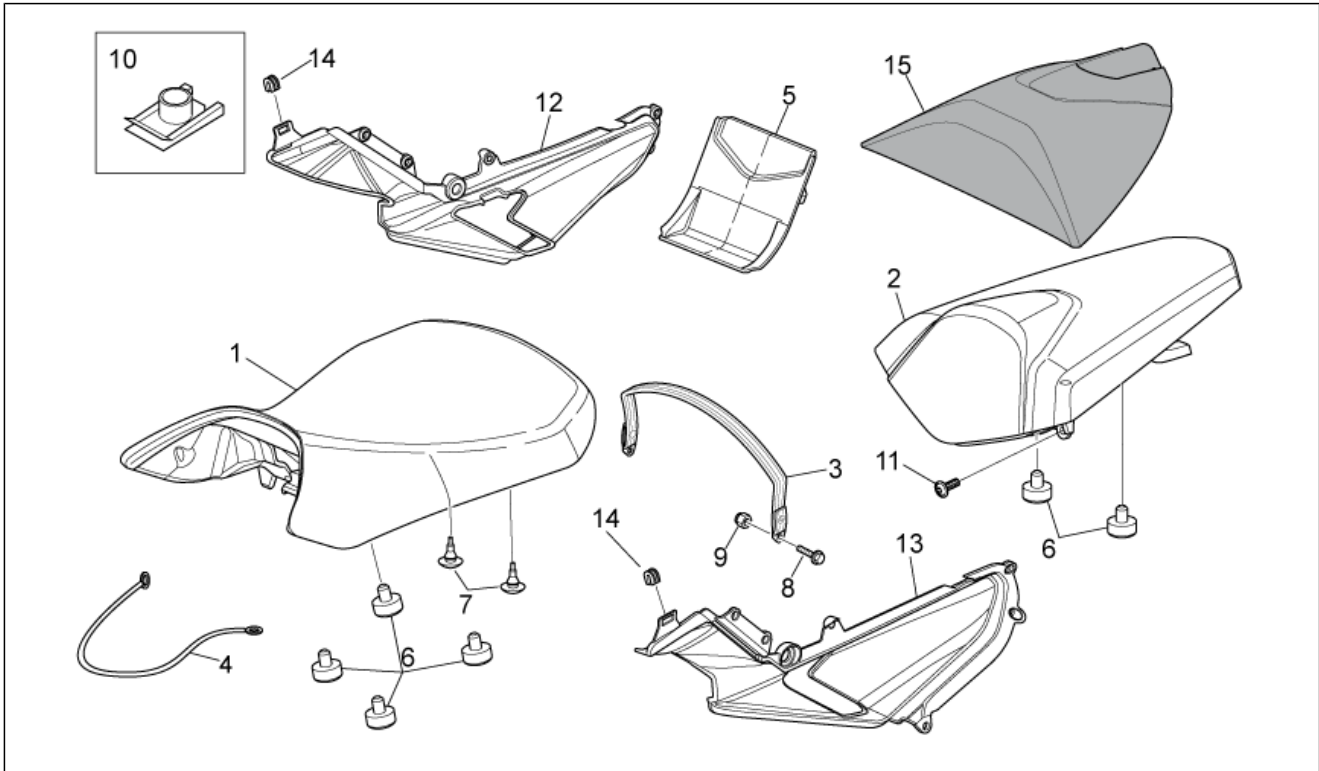


<b>Group</b>	FRAME
<b>Code</b>	28.11
<b>Description</b>	Central body
<b>Service</b>	1



Pos.	Code	Description	Qty	Variants
				<b>Vehicle colour:</b> 'Aprilia Black 2010[n.10], 'Glam White 2010 [w.glam] <b>Country:</b> Australia[AA], CH-DE-DK-EL[EU] <b>Technical Specifications:</b> With decals applied[D]
4	AP8269333	LH side panel, lower	1	<b>Year:</b> 2010[A] <b>Vehicle colour:</b> Alitalia Replica 2010 (s.t.897896)[r.ali] <b>Technical Specifications:</b> With decals applied[D]
5	AP8179192	Upper RH fairing	1	
6	AP8179193	Upper LH fairing	1	
7	AP8150450	Washer for shafts D5	10	
8	AP8152298	Screw w/ flange M5x16	10	
9	AP8121795	T bush	2	
10	AP8102375	Clip m5	12	
11	AP8117272	Acoustic insul. panel, RH up.	1	
12	AP8117271	Acoustic insul. panel, LH up.	1	
13	AP8117269	RH inf.heat protection	1	
14	AP8117270	LH inf.heat protection	1	
15	AP8161197	Connecting	2	

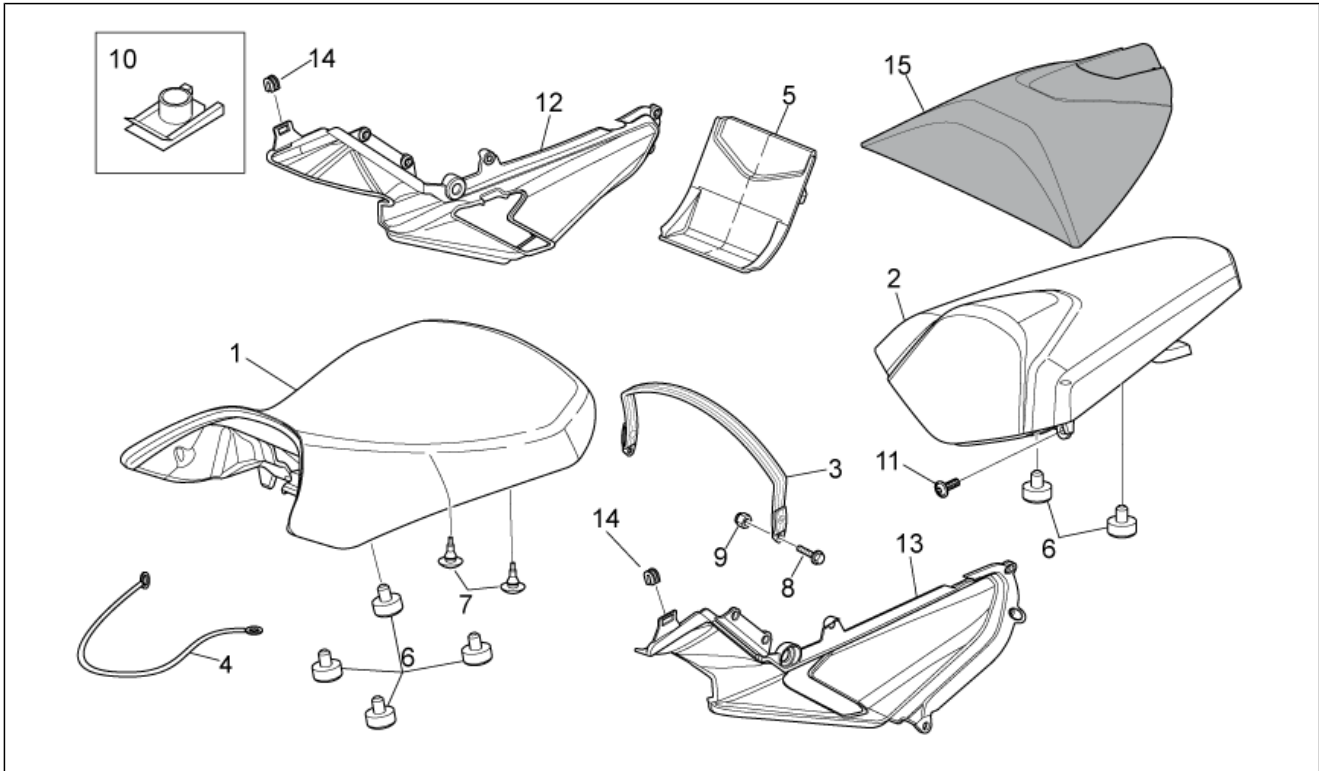
<b>Group</b>	FRAME
<b>Code</b>	28.12
<b>Description</b>	Saddle unit
<b>Service</b>	1



Pos.	Code	Description	Qty	Variants
1	AP8129456	Driver saddle, red	1	<b>Year:</b> 2006[6] <b>Vehicle colour:</b> Aprilia Black 2006 (st.15195)[black], Trophy Black 2006[RAC6], Aprilia White 2006 (st.15196)[white] <b>Country:</b> Australia[AA], CH-DE-DK-EL[EU]
1	AP8129493	Driver saddle, black	1	<b>Year:</b> 2008[8] <b>Vehicle colour:</b> Black Aprilia 2008 (s.t.860303)[a.blk], Fluo Red 2008 (s.t.858632)[red], Talmacsi 2008 (st.860957)[tal] <b>Country:</b> Australia[AA], CH-DE-DK-EL[EU]
1	AP8129493	Driver saddle, black	1	<b>Year:</b> 2008[8] <b>Vehicle colour:</b> Spain's number 1 (S.T.856884)[spain8] <b>Country:</b> United States of America[USA] <b>Technical Specifications:</b> Racing Version[rac]
1	AP8129493	Driver saddle, black	1	<b>Year:</b> 2007[7], 2008[8] <b>Vehicle colour:</b> Spain's N.1 (S.T.852262)[spain7], Spain's number 1 (S.T.856884)[spain8] <b>Country:</b> Australia[AA], CH-DE-DK-EL[EU]
1	AP8129493	Driver saddle, black	1	<b>Year:</b> 2009[9] <b>Vehicle colour:</b> Black Aprilia 2008 (s.t.860303)[a.blk], Fluo Red 2008 (s.t.858632)[red] <b>Country:</b> Australia[AA], Indonesia-Malaysia-New Zealand-Singapore[AP]
1	AP8129522	Driver saddle, black	1	<b>Year:</b> 2009[9], 2010[A] <b>Vehicle colour:</b> 'Aprilia Black 2010[n.10], Alitalia Replica 2010 (s.t.897896)[r.ali], Replica SBK 2009 (s.t.895053)[sbk], 'Glam White 2010 [w.glam] <b>Country:</b> Australia[AA], CH-DE-DK-EL[EU]
2	AP8129457	Rear saddle, black	1	<b>Year:</b> 2009[9] <b>Vehicle colour:</b> Black Aprilia 2008 (s.t.860303)[a.blk], Fluo Red 2008 (s.t.858632)[red] <b>Country:</b> Australia[AA], Indonesia-Malaysia-New Zealand-Singapore[AP]
2	AP8129457	Rear saddle, black	1	<b>Year:</b> 2008[8] <b>Vehicle colour:</b> Black Aprilia 2008 (s.t.860303)[a.blk], Fluo Red 2008 (s.t.858632)[red], Talmacsi 2008 (st.860957)[tal] <b>Country:</b> Australia[AA], CH-DE-DK-EL[EU]

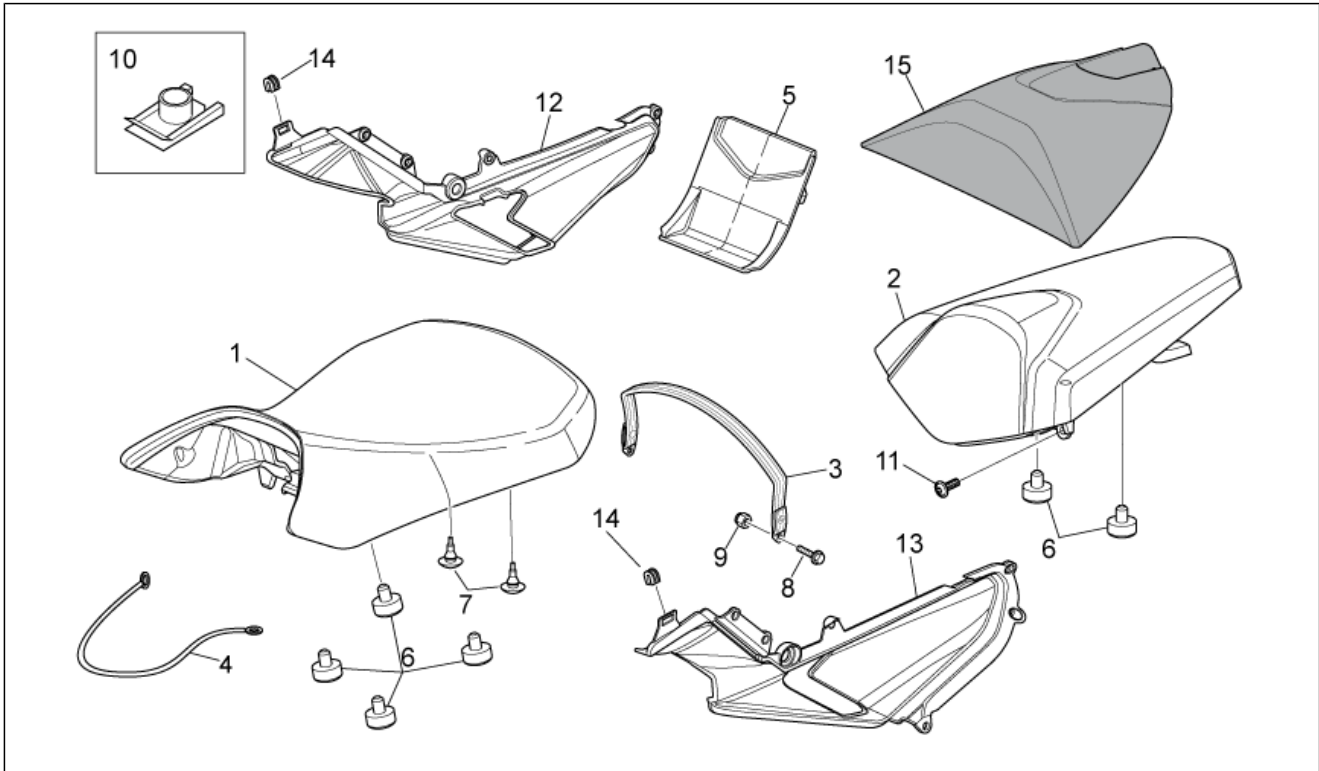


<b>Group</b>	FRAME
<b>Code</b>	28.12
<b>Description</b>	Saddle unit
<b>Service</b>	1



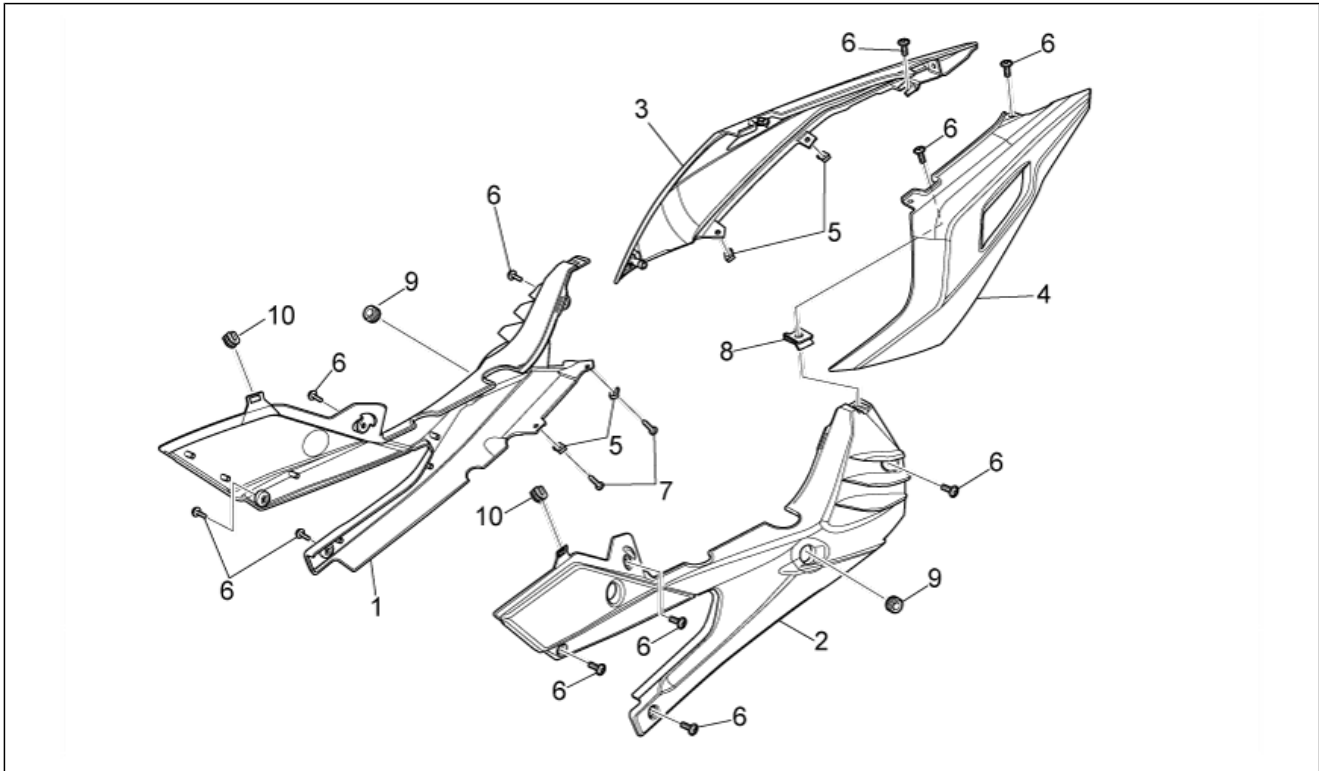
Pos.	Code	Description	Qty	Variants
2	AP8129457	Rear saddle, black	1	<b>Year:</b> 2006[6] <b>Vehicle colour:</b> Aprilia Black 2006 (st.15195)[black], Trophy Black 2006[RAC6], Aprilia White 2006 (st.15196)[white] <b>Country:</b> Australia[AA], CH-DE-DK-EL[EU]
2	AP8129494	Rear saddle, red	1	<b>Year:</b> 2008[8] <b>Vehicle colour:</b> Spain's number 1 (S.T.856884)[spain8] <b>Country:</b> United States of America[USA] <b>Technical Specifications:</b> Racing Version[rac]
2	AP8129494	Rear saddle, red	1	<b>Year:</b> 2007[7], 2008[8] <b>Vehicle colour:</b> Spain's N.1 (S.T.852262)[spain7], Spain's number 1 (S.T.856884)[spain8] <b>Country:</b> Australia[AA], CH-DE-DK-EL[EU]
2	AP8129523	Rear saddle, red	1	<b>Year:</b> 2009[9], 2010[A] <b>Vehicle colour:</b> Alitalia Replica 2010 (s.t.897896)[r.ali], Replica SBK 2009 (s.t.895053)[sbk] <b>Country:</b> CH-DE-DK-EL[EU]
2	AP8129524	Rear saddle, black	1	<b>Year:</b> 2010[A] <b>Vehicle colour:</b> 'Aprilia Black 2010[n.10], 'Glam White 2010 [w.glam] <b>Country:</b> Australia[AA], CH-DE-DK-EL[EU]
3	AP8129458	Pillion seat strap, black	1	<b>Year:</b> 2010[A] <b>Vehicle colour:</b> 'Aprilia Black 2010[n.10], 'Glam White 2010 [w.glam] <b>Country:</b> Australia[AA], CH-DE-DK-EL[EU]
3	AP8129458	Pillion seat strap, black	1	<b>Year:</b> 2008[8] <b>Vehicle colour:</b> Black Aprilia 2008 (s.t.860303)[a.blk], Fluo Red 2008 (s.t.858632)[red], Talmacci 2008 (st.860957)[tal] <b>Country:</b> Australia[AA], CH-DE-DK-EL[EU]
3	AP8129458	Pillion seat strap, black	1	<b>Year:</b> 2009[9] <b>Vehicle colour:</b> Black Aprilia 2008 (s.t.860303)[a.blk], Fluo Red 2008 (s.t.858632)[red] <b>Country:</b> Australia[AA], Indonesia-Malaysia-New Zealand-Singapore[AP]
3	AP8129458	Pillion seat strap, black	1	<b>Year:</b> 2006[6]

<b>Group</b>	FRAME
<b>Code</b>	28.12
<b>Description</b>	Saddle unit
<b>Service</b>	1



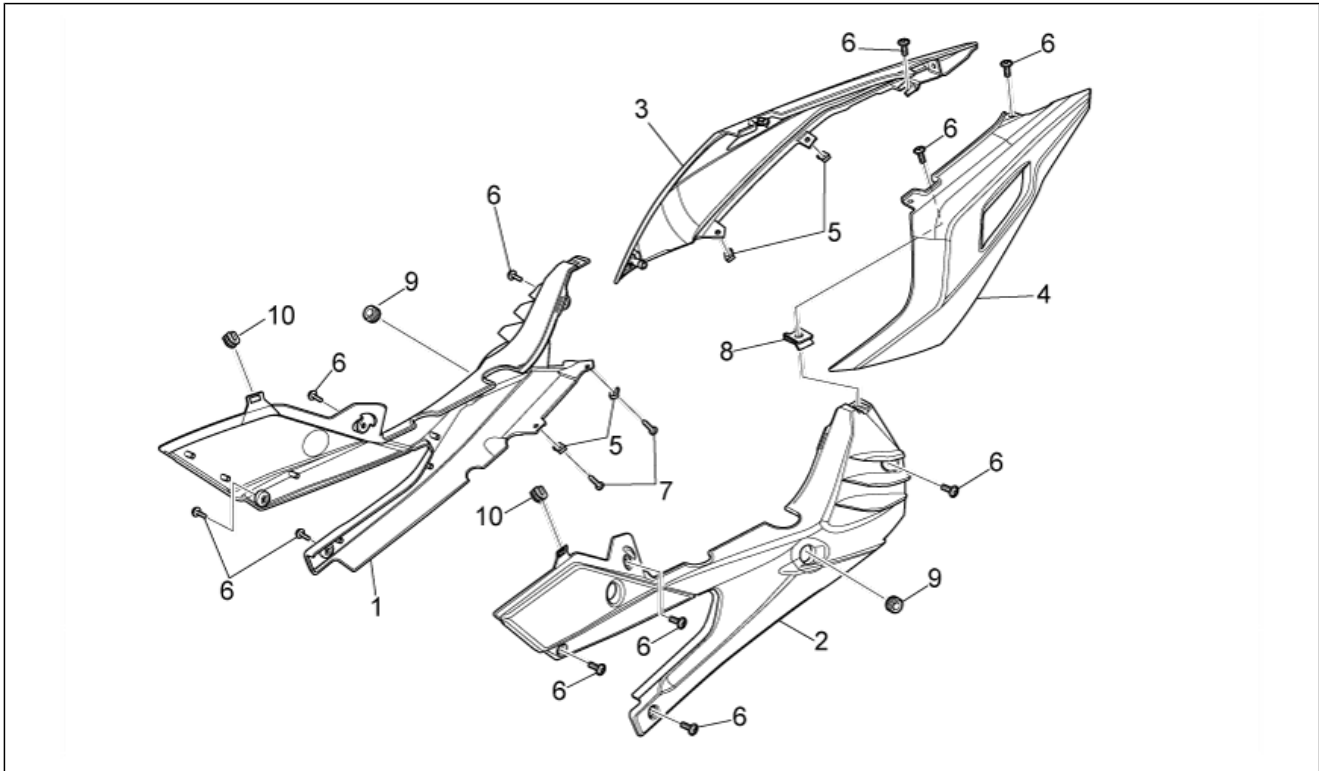
Pos.	Code	Description	Qty	Variants
				<b>Vehicle colour:</b> Aprilia Black 2006 (st.15195)[black], Trophy Black 2006[RAC6], Aprilia White 2006 (st.15196)[white] <b>Country:</b> Australia[AA], CH-DE-DK-EL[EU]
3	AP8129495	Pillion seat strap, red	1	<b>Year:</b> 2007[7], 2008[8], 2009[9], 2010[A] <b>Vehicle colour:</b> Alitalia Replica 2010 (s.t.897896)[r.ali], Replica SBK 2009 (s.t.895053)[sbk], Spain's N.1 (S.T.852262)[spain7], Spain's number 1 (S.T.856884)[spain8] <b>Country:</b> Australia[AA], CH-DE-DK-EL[EU], United States of America[USA] <b>Technical Specifications:</b> Racing Version[rac]
4	AP8102502	Helmet lock cable	1	
5	AP8179201	Glove comp.door, black	1	
6	AP8220349	Rubber spacer	6	
7	AP8120001	Rubber spacer	2	
8	AP8152278	Screw w/ flange M6x16	2	
9	AP8152299	Self-locking nut M6	2	
10	254485	Spring plate M6	2	
11	AP8152246	Screw w/ flange M6x16	2	
12	AP8179186	Saddle covers,rh	1	
13	AP8179288	Saddle covers,lh	1	
14	AP8120937	Rubber water cooler supp.	2	
15	851762	Cover pillion rider seat blank	1	<b>Year:</b> 2006[6] <b>Vehicle colour:</b> Trophy Black 2006[RAC6] <b>Country:</b> Australia[AA], CH-DE-DK-EL[EU] <b>Technical Specifications:</b> Trofeo racing version[GP]

<b>Group</b>	FRAME
<b>Code</b>	28.13
<b>Description</b>	Rear body I
<b>Service</b>	1



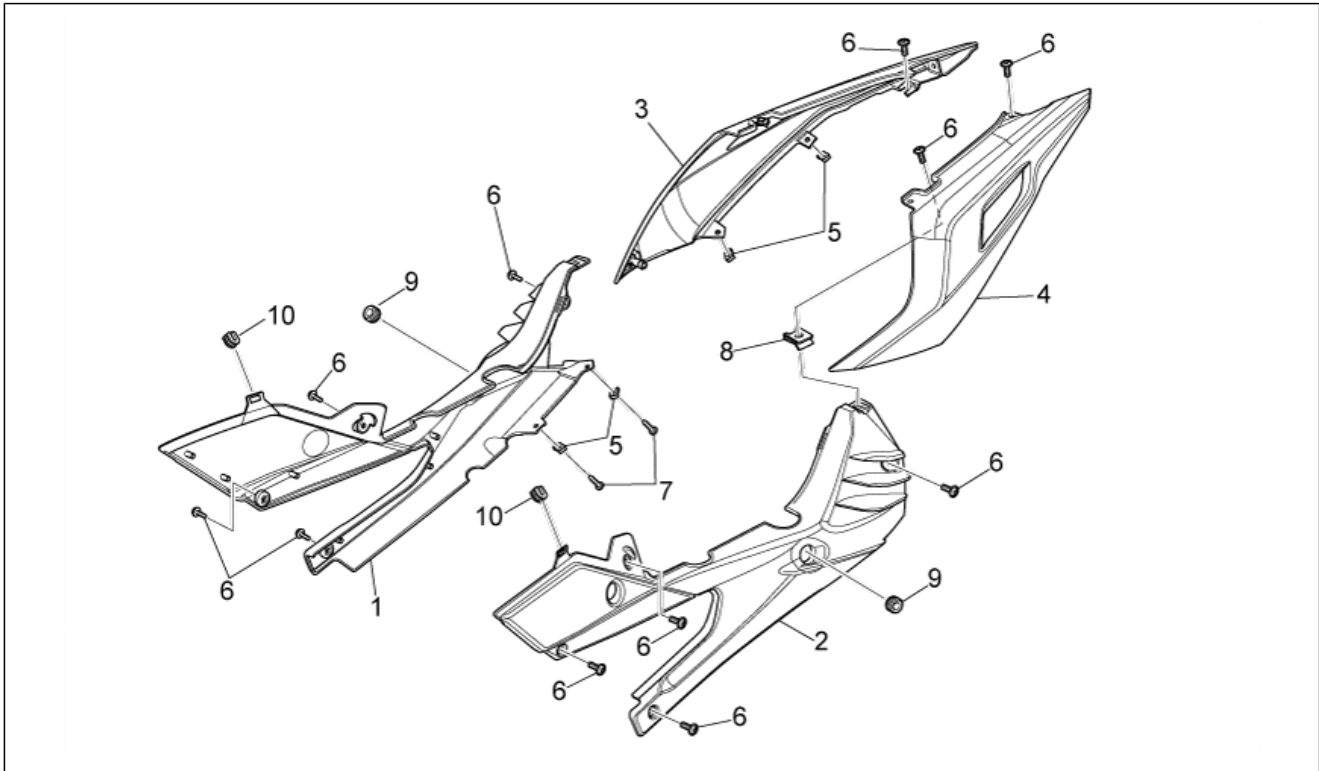
Pos.	Code	Description	Qty	Variants
1	AP8179196	RH saddle sup cov., black	1	Year:2006[6], 2007[7], 2008[8], 2010[A]
1	AP8184869	RH saddle sup cov., black	1	Year:2009[9], 2010[A] Vehicle colour:Alitalia Replica 2010 (s.t.897896)[r.ali], Replica SBK 2009 (s.t.895053)[sbk] Technical Specifications:With decals applied[D]
2	AP8179200	LH saddle sup cov., black	1	Year:2006[6], 2007[7], 2008[8], 2010[A]
2	AP8184870	LH saddle sup cov., black	1	Year:2009[9], 2010[A] Vehicle colour:Alitalia Replica 2010 (s.t.897896)[r.ali], Replica SBK 2009 (s.t.895053)[sbk] Technical Specifications:With decals applied[D]
3	AP8179197	RH rear fairing, grey	1	Year:2006[6] Vehicle colour:Aprilia Black 2006 (st.15195)[black], Aprilia White 2006 (st.15196)[white] Country:Australia[AA], CH-DE-DK-EL[EU] Technical Specifications:With decals applied[D]
3	AP8179686	RH rear fairing, grey	1	Year:2006[6] Vehicle colour:Trophy Black 2006[RAC6] Country:Australia[AA], CH-DE-DK-EL[EU] Technical Specifications:With decals applied[D]
3	AP8179921	RH rear fairing, red	1	Year:2007[7] Vehicle colour:Spain's N.1 (S.T.852262)[spain7] Country:Australia[AA], CH-DE-DK-EL[EU] Technical Specifications:With decals applied[D]
3	AP8184613	RH rear fairing, white	1	Year:2008[8] Vehicle colour:Fluo Red 2008 (s.t.858632)[red] Country:Australia[AA], CH-DE-DK-EL[EU] Technical Specifications:With decals applied[D]
3	AP8184613	RH rear fairing, white	1	Year:2009[9] Vehicle colour:Fluo Red 2008 (s.t.858632)[red] Country:Australia[AA], Indonesia-Malaysia-New Zealand- Singapore[AP] Technical Specifications:With decals applied[D]
3	AP8184725	RH rear fairing, black	1	Year:2008[8] Vehicle colour:Black Aprilia 2008 (s.t.860303)[a.blk]

<b>Group</b>	FRAME
<b>Code</b>	28.13
<b>Description</b>	Rear body I
<b>Service</b>	1



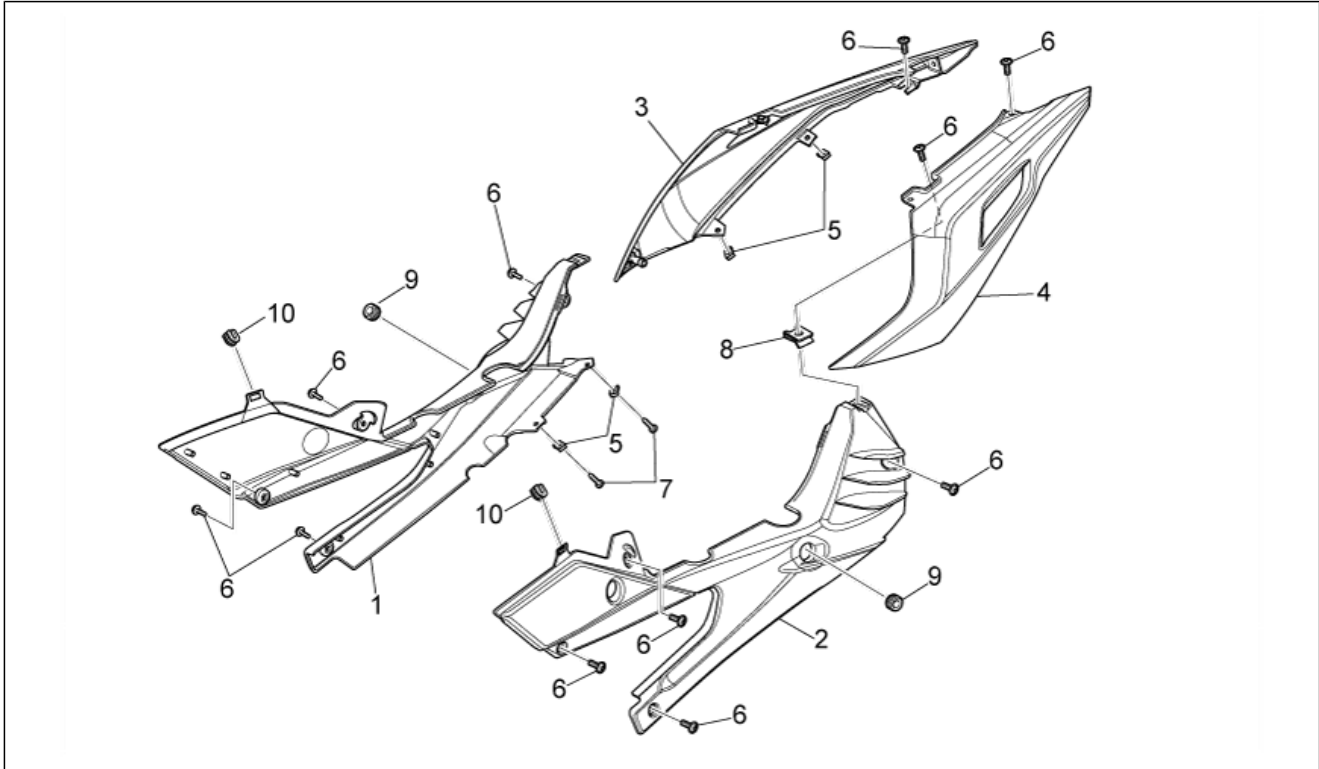
Pos.	Code	Description	Qty	Variants
				<b>Country:</b> Australia[AA], CH-DE-DK-EL[EU] <b>Technical Specifications:</b> With decals applied[D]
3	AP8184725	RH rear fairing, black	1	<b>Year:</b> 2009[9] <b>Vehicle colour:</b> Black Aprilia 2008 (s.t.860303)[a.blk] <b>Country:</b> Australia[AA], Indonesia-Malaysia-New Zealand-Singapore[AP] <b>Technical Specifications:</b> With decals applied[D]
3	AP8184750	RH rear fairing, green	1	<b>Year:</b> 2008[8] <b>Vehicle colour:</b> Talmacsi 2008 (st.860957)[tal] <b>Country:</b> Australia[AA], CH-DE-DK-EL[EU] <b>Technical Specifications:</b> With decals applied[D]
3	AP8184863	RH rear fairing, black	1	<b>Year:</b> 2009[9], 2010[A] <b>Vehicle colour:</b> Replica SBK 2009 (s.t.895053)[sbk] <b>Country:</b> CH-DE-DK-EL[EU] <b>Technical Specifications:</b> With decals applied[D]
3	AP8184891	RH rear fairing, black	1	<b>Year:</b> 2010[A] <b>Vehicle colour:</b> 'Aprilia Black 2010[n.10] <b>Country:</b> Australia[AA], CH-DE-DK-EL[EU] <b>Technical Specifications:</b> With decals applied[D]
3	AP8184899	RH rear fairing, white	1	<b>Year:</b> 2010[A] <b>Vehicle colour:</b> 'Glam White 2010 [w.glam] <b>Country:</b> Australia[AA], CH-DE-DK-EL[EU] <b>Technical Specifications:</b> With decals applied[D]
3	AP8268734	RH rear fairing, red	1	<b>Year:</b> 2008[8] <b>Vehicle colour:</b> Spain's number 1 (S.T.856884)[spain8] <b>Country:</b> Australia[AA], CH-DE-DK-EL[EU] <b>Technical Specifications:</b> With decals applied[D]
3	AP8268734	RH rear fairing, red	1	<b>Year:</b> 2008[8] <b>Vehicle colour:</b> Spain's number 1 (S.T.856884)[spain8] <b>Country:</b> United States of America[USA] <b>Technical Specifications:</b> With decals applied[D], Racing Version[rac]
3	AP8269334	RH rear fairing, black	1	<b>Year:</b> 2010[A] <b>Vehicle colour:</b> Alitalia Replica 2010 (s.t.897896)[r.ali] <b>Technical Specifications:</b> With decals applied[D]

<b>Group</b>	FRAME
<b>Code</b>	28.13
<b>Description</b>	Rear body I
<b>Service</b>	1



Pos.	Code	Description	Qty	Variants
4	AP8179269	LH rear fairing, grey	1	Year:2006[6] Vehicle colour:Aprilia Black 2006 (st.15195)[black], Aprilia White 2006 (st.15196)[white] Country:Australia[AA], CH-DE-DK-EL[EU] Technical Specifications:With decals applied[D]
4	AP8179687	LH rear fairing, grey	1	Year:2006[6] Vehicle colour:Trophy Black 2006[RAC6] Country:Australia[AA], CH-DE-DK-EL[EU] Technical Specifications:With decals applied[D]
4	AP8179922	LH rear fairing, red	1	Year:2007[7] Vehicle colour:Spain's N.1 (S.T.852262)[spain7] Country:Australia[AA], CH-DE-DK-EL[EU] Technical Specifications:With decals applied[D]
4	AP8184614	LH rear fairing, white	1	Year:2008[8] Vehicle colour:Fluo Red 2008 (s.t.858632)[red] Country:Australia[AA], CH-DE-DK-EL[EU] Technical Specifications:With decals applied[D]
4	AP8184614	LH rear fairing, white	1	Year:2009[9] Vehicle colour:Fluo Red 2008 (s.t.858632)[red] Country:Australia[AA], Indonesia-Malaysia-New Zealand-Singapore[AP] Technical Specifications:With decals applied[D]
4	AP8184726	LH rear fairing, black	1	Year:2009[9] Vehicle colour:Black Aprilia 2008 (s.t.860303)[a.blk] Country:Australia[AA], Indonesia-Malaysia-New Zealand-Singapore[AP] Technical Specifications:With decals applied[D]
4	AP8184726	LH rear fairing, black	1	Year:2008[8] Vehicle colour:Black Aprilia 2008 (s.t.860303)[a.blk] Country:Australia[AA], CH-DE-DK-EL[EU] Technical Specifications:With decals applied[D]
4	AP8184751	LH rear fairing, green	1	Year:2008[8] Vehicle colour:Talmacsi 2008 (st.860957)[tal] Country:Australia[AA], CH-DE-DK-EL[EU] Technical Specifications:With decals applied[D]

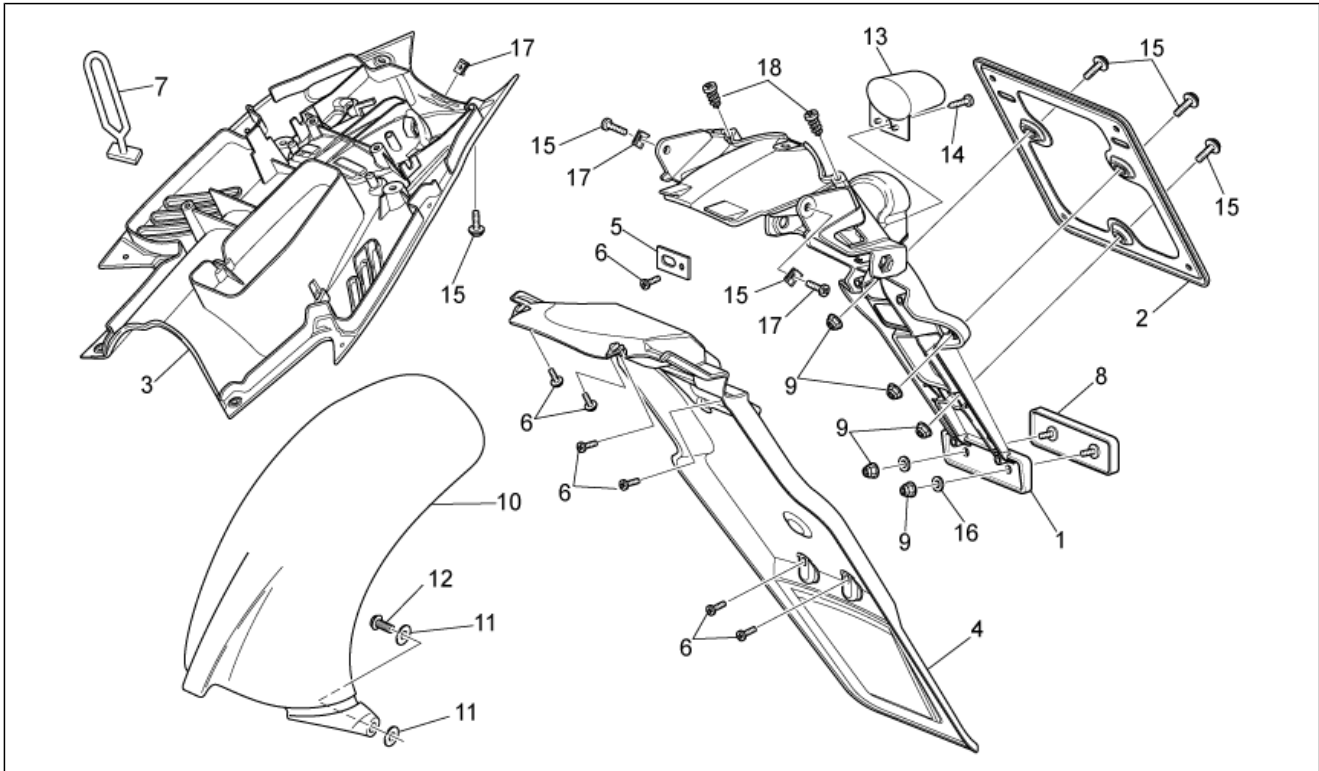
<b>Group</b>	FRAME
<b>Code</b>	28.13
<b>Description</b>	Rear body I
<b>Service</b>	1



Pos.	Code	Description	Qty	Variants
4	AP8184864	LH rear fairing, black	1	Year:2009[9], 2010[A] Vehicle colour:Replica SBK 2009 (s.t.895053)[sbk] Country:CH-DE-DK-EL[EU] Technical Specifications:With decals applied[D]
4	AP8184892	LH rear fairing, black	1	Year:2010[A] Vehicle colour:'Aprilia Black 2010[n.10] Country:Australia[AA], CH-DE-DK-EL[EU] Technical Specifications:With decals applied[D]
4	AP8184900	LH rear fairing, white	1	Year:2010[A] Vehicle colour:'Glam White 2010 [w.glam] Country:Australia[AA], CH-DE-DK-EL[EU] Technical Specifications:With decals applied[D]
4	AP8268735	LH rear fairing, red	1	Year:2008[8] Vehicle colour:Spain's number 1 (S.T.856884)[spain8] Country:United States of America[USA] Technical Specifications:With decals applied[D], Racing Version[rac]
4	AP8268735	LH rear fairing, red	1	Year:2008[8] Vehicle colour:Spain's number 1 (S.T.856884)[spain8] Country:Australia[AA], CH-DE-DK-EL[EU] Technical Specifications:With decals applied[D]
4	AP8269335	LH rear fairing, black	1	Year:2010[A] Vehicle colour:Alitalia Replica 2010 (s.t.897896)[r.ali] Technical Specifications:With decals applied[D]
5	AP8202449	Clip	8	
6	AP8152298	Screw w/ flange M5x16	12	
7	AP8150444	Self-tapping screw	4	
8	AP8102375	Clip m5	2	
9	AP8120030	Rubber spacer	2	
10	AP8120937	Rubber water cooler supp.	2	



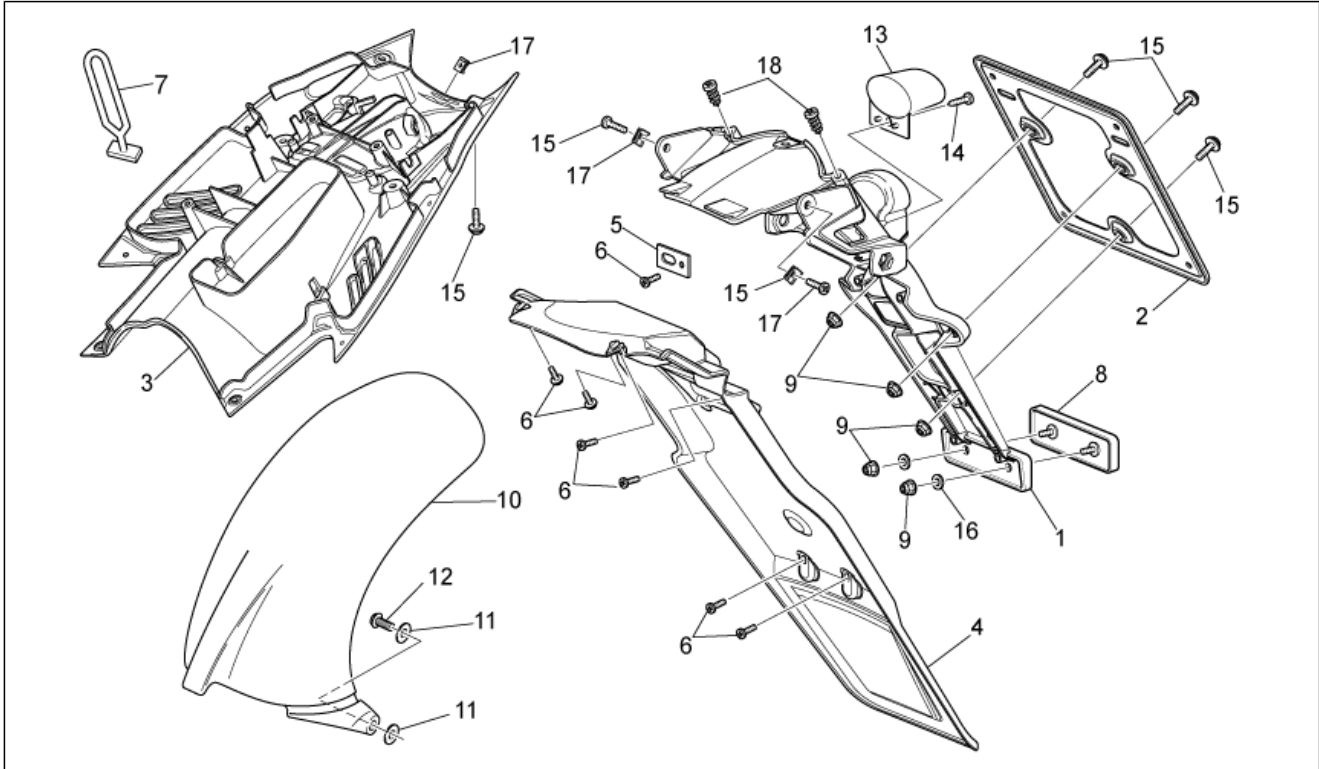
<b>Group</b>	FRAME
<b>Code</b>	28.14
<b>Description</b>	Rear body II
<b>Service</b>	1



Pos.	Code	Description	Qty	Variants
1	AP8179199	Number plate holder	1	<b>Country:</b> Australia[AA], Indonesia-Malaysia-New Zealand-Singapore[AP], CH-DE-DK-EL[EU] <b>Technical Specifications:</b> turn indicator 1led[F1]
1	AP8184762	Number plate holder	1	<b>Country:</b> Australia[AA], Indonesia-Malaysia-New Zealand-Singapore[AP], CH-DE-DK-EL[EU] <b>Technical Specifications:</b> turn indicator 4led[F4]
2	AP8126115	Number plate holder	1	<b>Country:</b> Australia[AA], CH-DE-DK-EL[EU]
3	AP8179198	Saddle supp.low. lockup, black	1	
4	AP8179202	Splash guard	1	<b>Country:</b> Australia[AA], Indonesia-Malaysia-New Zealand-Singapore[AP], CH-DE-DK-EL[EU]
5	AP8134437	Plate	1	<b>Country:</b> Australia[AA], Indonesia-Malaysia-New Zealand-Singapore[AP], CH-DE-DK-EL[EU]
6	AP8150413	Self-tap screw 3,9x14	1	<b>Country:</b> Australia[AA], Indonesia-Malaysia-New Zealand-Singapore[AP], CH-DE-DK-EL[EU]
7	AP8120177	Headlight supp.snap	1	
8	AP8112916	Rear reflector	1	<b>Country:</b> Australia[AA], Indonesia-Malaysia-New Zealand-Singapore[AP], CH-DE-DK-EL[EU]
9	AP8150204	Nut M4	5	<b>Country:</b> Australia[AA], Indonesia-Malaysia-New Zealand-Singapore[AP], CH-DE-DK-EL[EU]
10	AP8156253	Low mudguard, black	1	
11	AP8150179	Washer 6,6x18*	5	
12	AP8152278	Screw w/ flange M6x16	2	
13	AP8127098	Number-plate light	1	<b>Country:</b> Australia[AA], Indonesia-Malaysia-New Zealand-Singapore[AP], CH-DE-DK-EL[EU]
14	AP8150362	Self-tapping screw *	1	<b>Country:</b> Australia[AA], Indonesia-Malaysia-New Zealand-Singapore[AP], CH-DE-DK-EL[EU]
15	AP8152298	Screw w/ flange M5x16	1	<b>Country:</b> United States of America[USA] <b>Technical Specifications:</b> Racing Version[rac]
15	AP8152298	Screw w/ flange M5x16	6	<b>Country:</b> Australia[AA], Indonesia-Malaysia-New Zealand-Singapore[AP], CH-DE-DK-EL[EU]
16	AP8150158	Washer 4,3X9X0,8	2	<b>Country:</b> Australia[AA], Indonesia-Malaysia-New Zealand-Singapore[AP], CH-DE-DK-EL[EU]

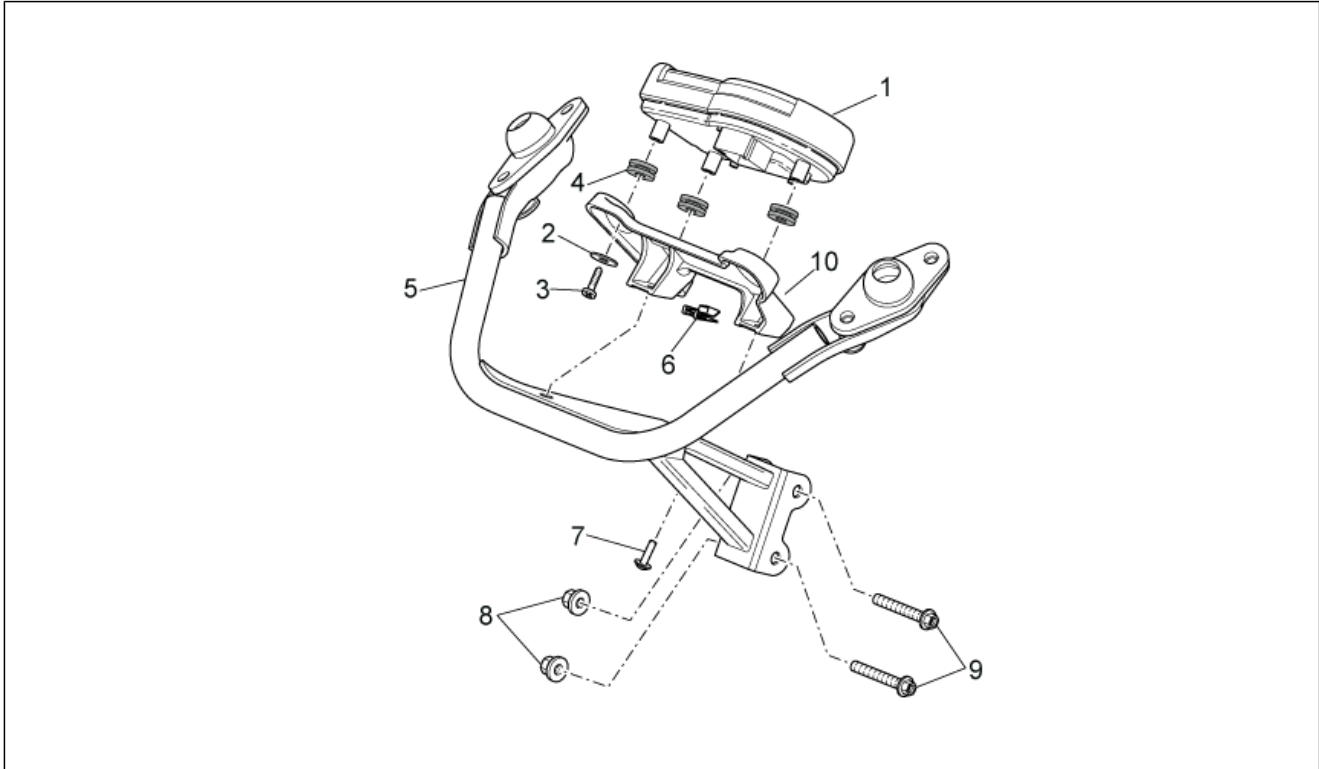


<b>Group</b>	FRAME
<b>Code</b>	28.14
<b>Description</b>	Rear body II
<b>Service</b>	1



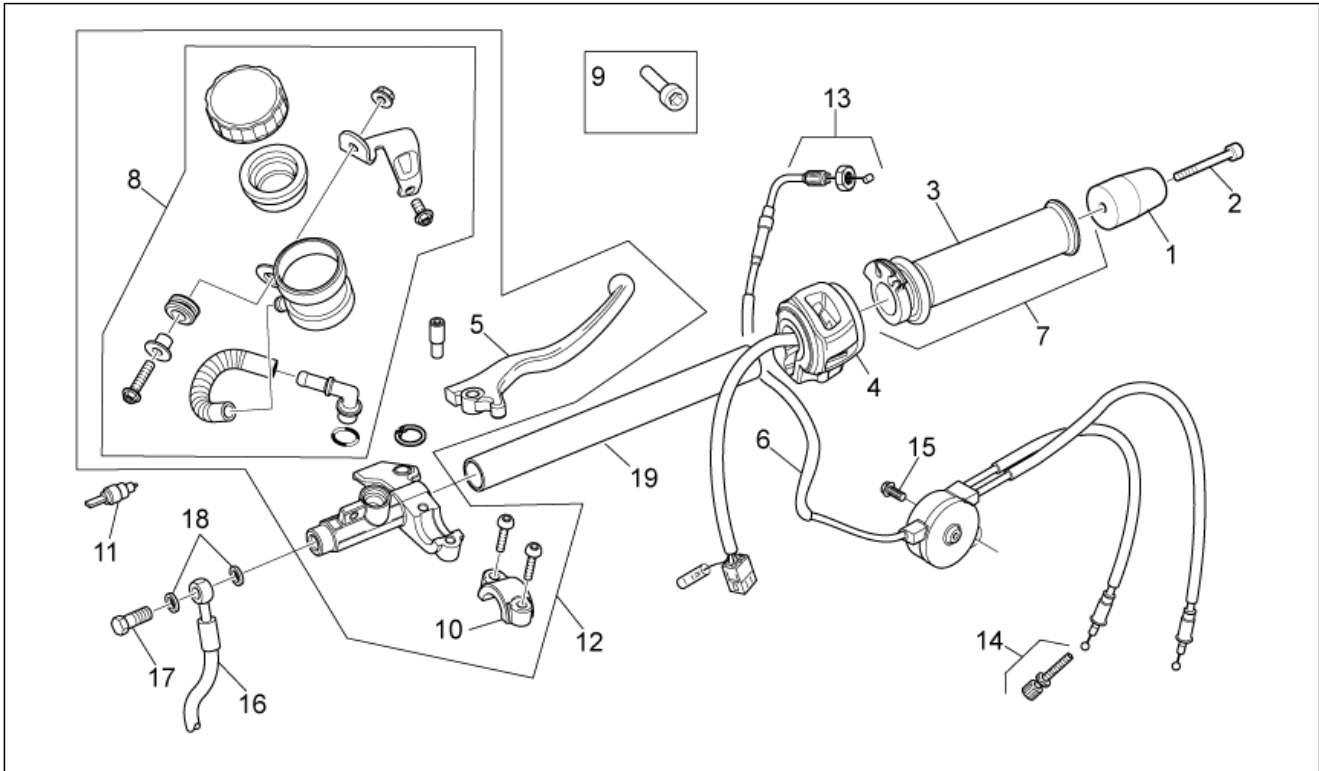
Pos.	Code	Description	Qty	Variants
17	AP8102375	Clip m5	3	<b>Country:</b> Australia[AA], Indonesia-Malaysia-New Zealand-Singapore[AP], CH-DE-DK-EL[EU]
17	AP8102375	Clip m5	1	<b>Country:</b> United States of America[USA] <b>Technical Specifications:</b> Racing Version[rac]
18	AP8150509	Self-tap screw 5x14	2	<b>Country:</b> Australia[AA], Indonesia-Malaysia-New Zealand-Singapore[AP], CH-DE-DK-EL[EU]

<b>Group</b>	FRAME
<b>Code</b>	28.15
<b>Description</b>	Dashboard
<b>Service</b>	1



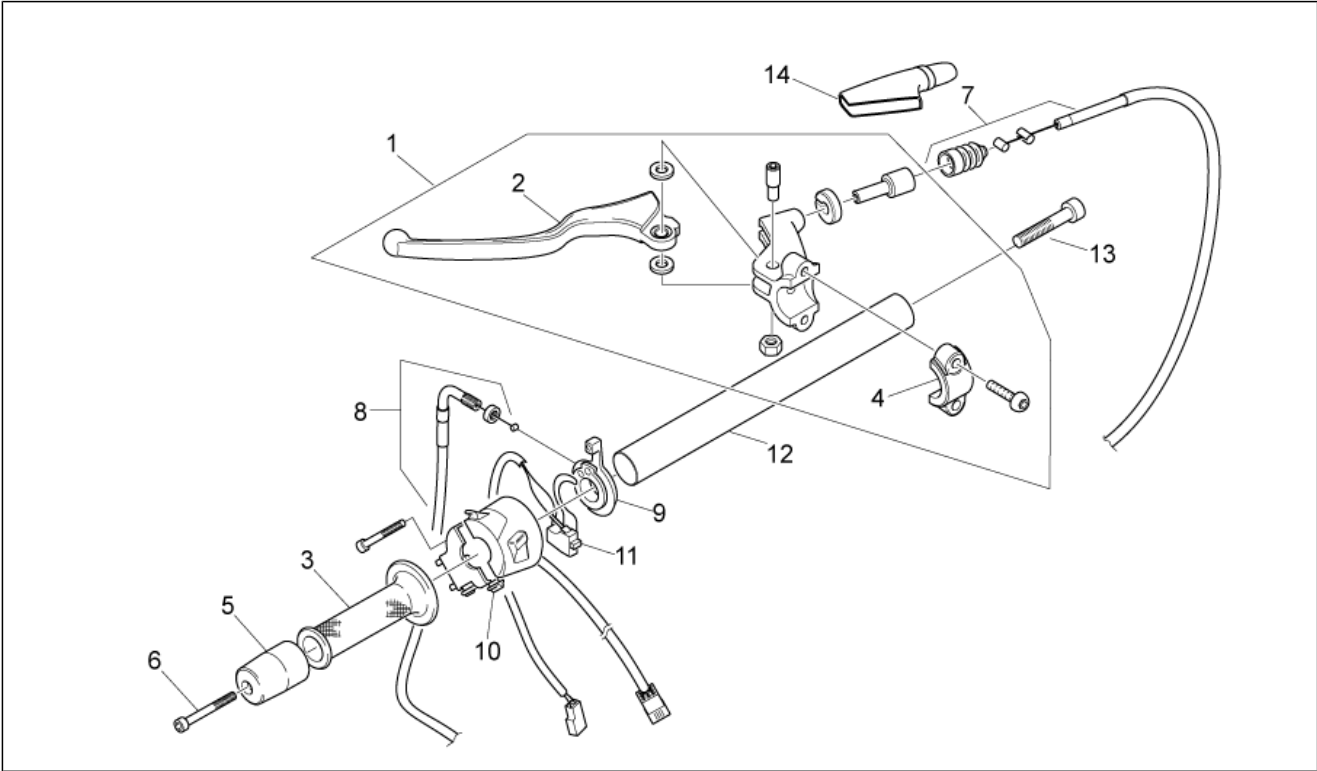
Pos.	Code	Description	Qty	Variants
1	856384	Dashboard complete	1	Year:2006[6], 2009[9] Technical Specifications:Euro 2[E2], Euro 3[E3]
1	890627	Dashboard complete	1	Year:2007[7], 2008[8], 2010[A] Technical Specifications:Euro 3[E3]
2	AP8150382	Washer 15x5,5X1,2	3	
3	AP8150509	Self-tap screw 5x14	3	
4	AP8220150	Rubber spacer	3	
5	AP8145003	Instrum.holder frame	1	
6	254485	Spring plate M6	2	
7	AP8152246	Screw w/ flange M6x16	2	
8	AP8152299	Self-locking nut M6	2	
9	AP8152284	Screw w/ flange	2	
10	856920	Socket support	1	

<b>Group</b>	FRAME
<b>Code</b>	28.16
<b>Description</b>	RH controls
<b>Service</b>	1



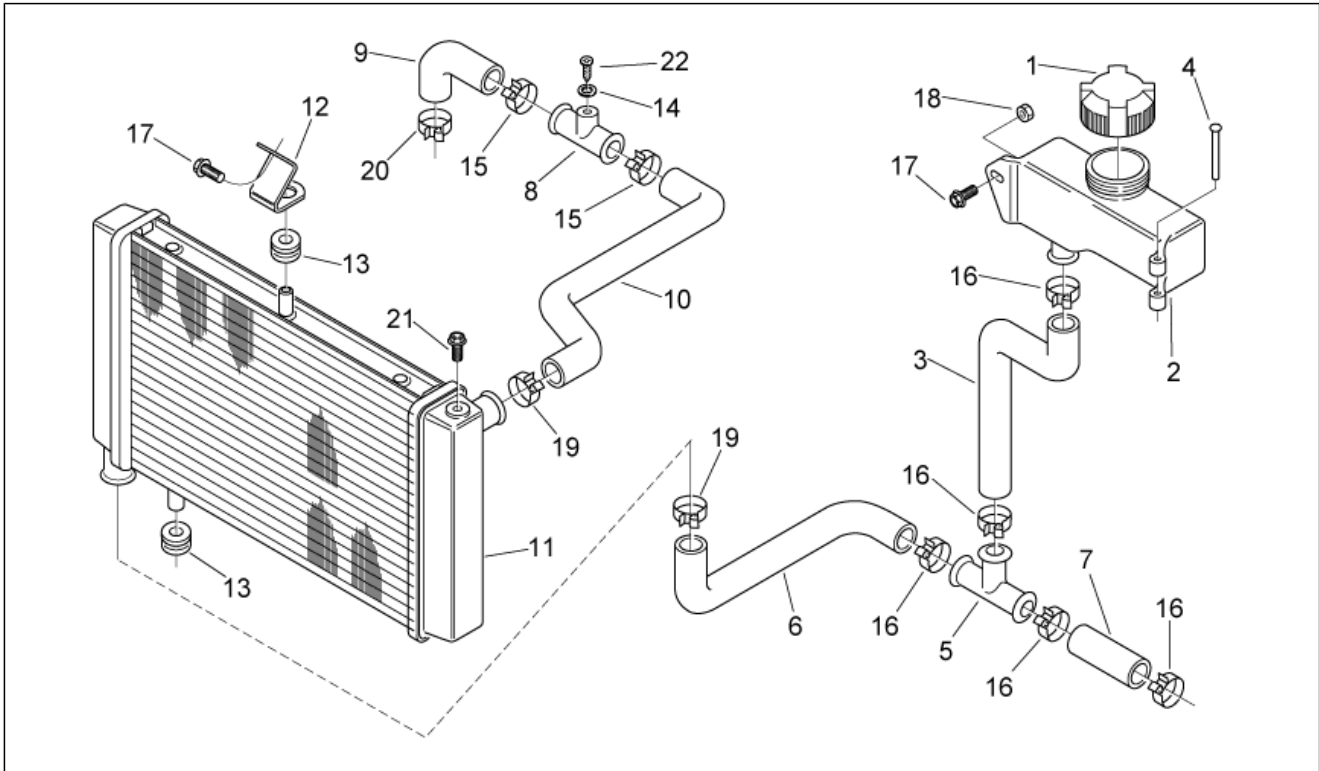
Pos.	Code	Description	Qty	Variants
1	AP8161057	H.bars anti.v weight	1	
2	AP8150324	Hex socket screw M6x50	1	
3	AP8118287	Handgrip - pair	1	
4	AP8124914	RH lights sel. w/wiring	1	
5	AP8118730	Front brake lever	1	
6	AP8114320	Throttle cable w/ splitter	1	
7	AP8118307	Throttle+hand grip	1	
8	AP8104997	Oil tank	1	
9	AP8150049	screw M10x60	1	
10	AP8118731	U-bolt	1	
11	AP8127305	stop Button	1	Country:Australia[AA], Indonesia-Malaysia-New Zealand-Singapore[AP], CH-DE-DK-EL[EU]
12	AP8133838	Front master cilinder	1	
13	AP8114332	Throttle cable adjuster	1	
14	AP8114272	Throttle cable adjuster	1	
15	AP8152277	Screw w/ flange M6x12	1	
16	AP8133885	Front brake hose	1	
17	AP8113003	Oil pipe screw *	3	
18	AP8113004	Washer 10x14x1,6*	2	
19	AP8118729	Half handlebar rh/lh	1	

<b>Group</b>	FRAME
<b>Code</b>	28.17
<b>Description</b>	LH Controls
<b>Service</b>	1



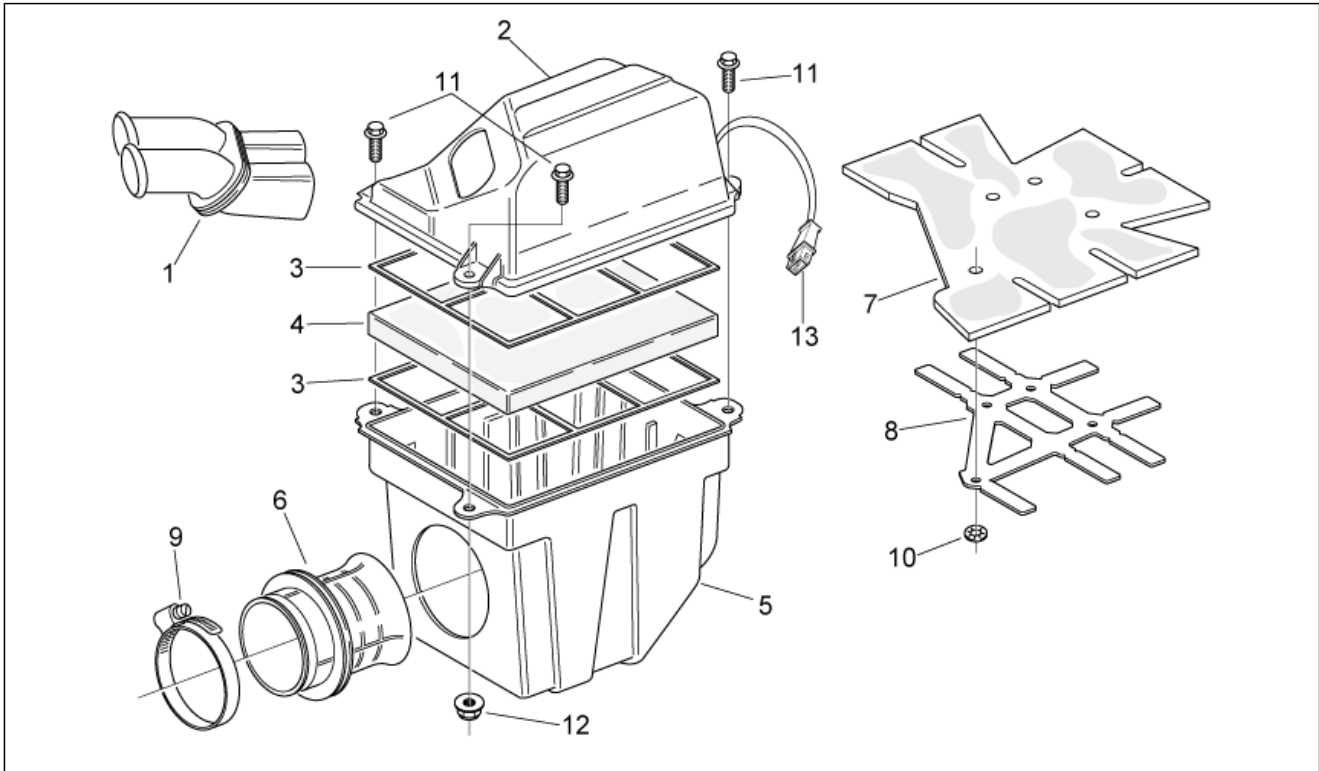
Pos.	Code	Description	Qty	Variants
1	AP8118716	Clutch control complete	1	
2	AP8118727	Clutch lever	1	
3	AP8118287	Handgrip - pair	1	
4	AP8118728	Clutch lever U-bolt	1	
5	AP8161057	H.bars anti.v weight	1	
6	AP8150324	Hex socket screw M6x50	1	
7	AP8114467	Clutch cable	1	
8	AP8114331	Choke cable	1	
9	AP8118308	Starter lever	1	
10	AP8124915	LH lights sel. w/wiring	1	
11	AP8124152	Chronometer button	1	
12	AP8118729	Half handlebar rh/lh	1	
13	AP8150049	screw M10x60	1	
14	AP8120271	Clutch adjuster sleeve	1	

<b>Group</b>	FRAME
<b>Code</b>	28.18
<b>Description</b>	Water cooler
<b>Service</b>	1



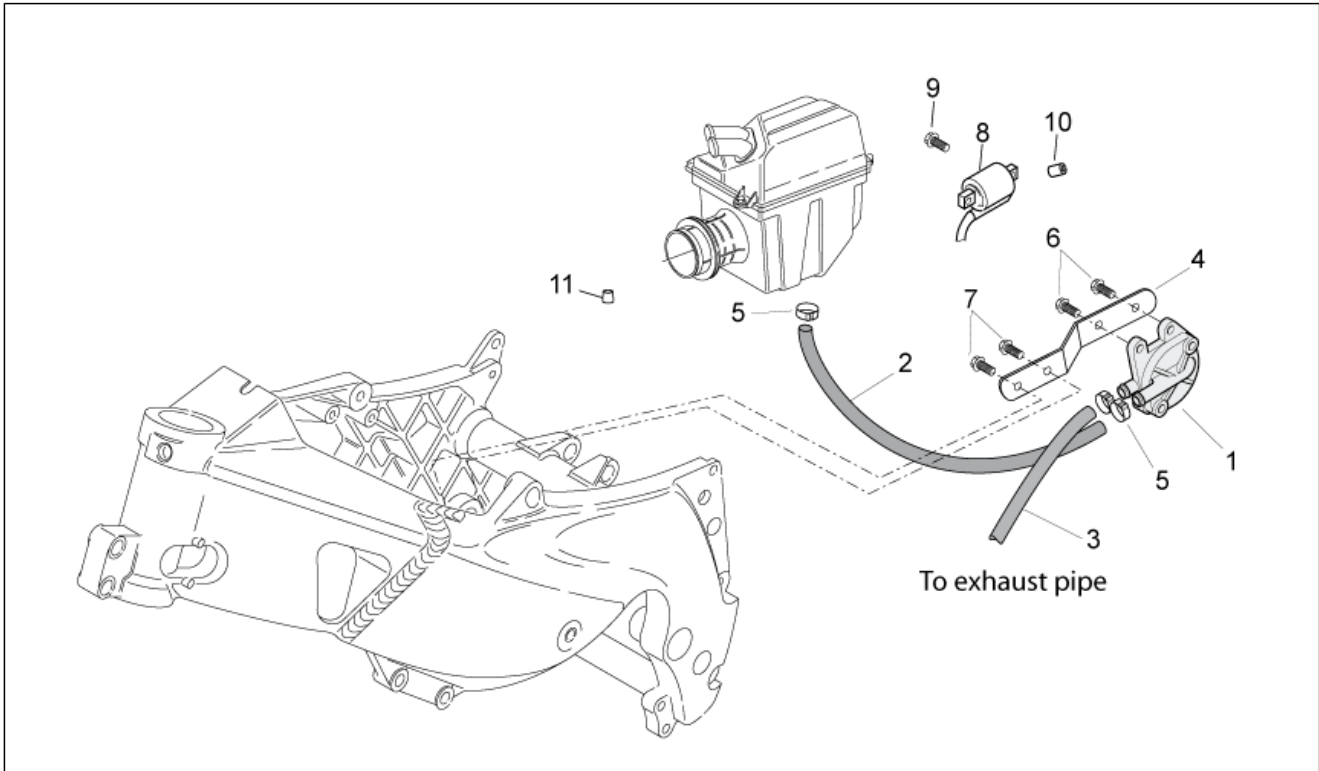
Pos.	Code	Description	Qty	Variants
1	AP8101912	Rad cap no vent	1	
2	AP8101910	Expansion tank	1	
3	AP8120787	Expansion tank hose	1	
4	AP8101924	Drilled crow.head rivet	1	
5	AP8101916	Tee union D20	1	
6	AP8120790	Tee union	1	
7	AP8120946	Pump connection hose	1	
8	AP8102112	Breather pipe union	1	
9	AP8102118	Head tube union	1	
10	AP8120786	Water cooler hose union	1	
11	AP8102704	Water cooler	1	
12	AP8146162	Water cooler upper support	1	
13	AP8120030	Rubber spacer	2	
14	AP8152184	Washer 6,4x12*	1	
15	AP8101743	Hose clip D23,5x8*	2	
16	AP8201169	Hose clip D22x8,6*	5	
17	AP8152278	Screw w/ flange M6x16	1	
18	AP8150026	Nut M6	1	
19	AP8101927	Hose clip D23,5x8*	2	
20	AP8120536	Hose clip D28x8,6*	1	
21	AP8152277	Screw w/ flange M6x12	1	
22	AP8150426	Screw 5,5x15,9*	1	

<b>Group</b>	FRAME
<b>Code</b>	28.19
<b>Description</b>	Air box
<b>Service</b>	1



Pos.	Code	Description	Qty	Variants
1	AP8120748	Intake hose	1	<b>Technical Specifications:</b> Full Power Version[f.p.], Racing Version[rac]
1	AP8120997	Intake hose	1	<b>Technical Specifications:</b> 11KW version[11kw]
2	852745	Filter housing cover	1	<b>Year:</b> 2007[7], 2008[8], 2010[A] <b>Technical Specifications:</b> Euro 3[E3]
2	AP8168042	Filter housing cover	1	<b>Year:</b> 2009[9] <b>Technical Specifications:</b> Euro 2[E2]
2	AP8168042	Filter housing cover	1	<b>Year:</b> 2006[6] <b>Technical Specifications:</b> Euro 2[E2]
3	AP8131121	Filter guard	2	
4	AP8102080	Air filter	1	
5	AP8178561	Filter housing base	1	
6	AP8120810	Intake hose	1	
7	AP8117111	Filter housing insulator	1	
8	AP8102670	Insulating material fixing net	1	
9	AP8102401	Hose clamp D50-70x8*	1	
10	AP8150450	Washer for shafts D5	4	
11	AP8152279	Screw w/ flange M6x20	2	
12	AP8152299	Self-locking nut M6	2	
13	581142	Ambient temperature sensor	1	<b>Year:</b> 2010[A] <b>Technical Specifications:</b> Euro 3[E3]
13	AP8127916	Temp. Sensor	1	<b>Year:</b> 2007[7], 2008[8] <b>Technical Specifications:</b> Euro 3[E3]

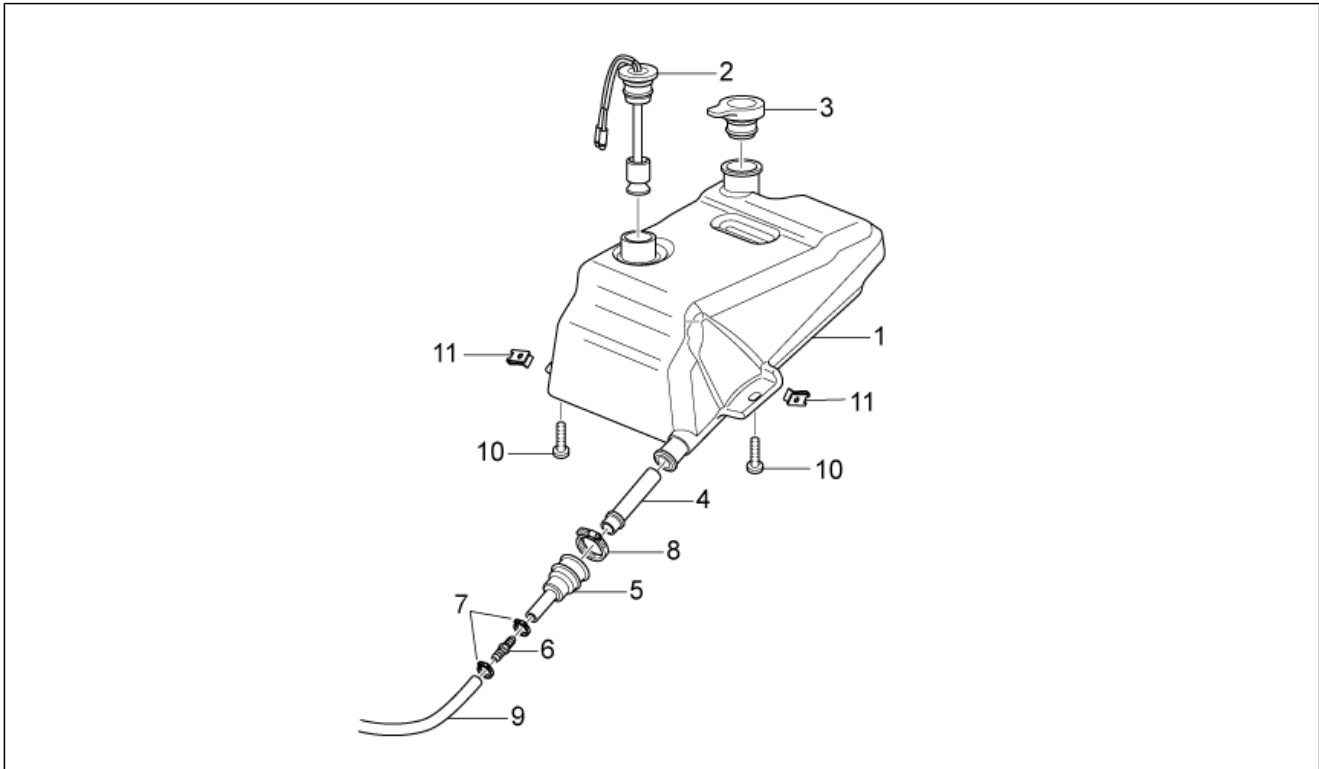
<b>Group</b>	FRAME
<b>Code</b>	28.20
<b>Description</b>	Secondary air
<b>Service</b>	1



Pos.	Code	Description	Qty	Variants
1	AP8104745	Valve SAS	1	Country:Australia[AA], Indonesia-Malaysia-New Zealand-Singapore[AP], CH-DE-DK-EL[EU]
2	AP8144670	Intake pipe sas	1	Country:Australia[AA], Indonesia-Malaysia-New Zealand-Singapore[AP], CH-DE-DK-EL[EU]
3	AP8144671	Air pipe sas	1	Country:Australia[AA], Indonesia-Malaysia-New Zealand-Singapore[AP], CH-DE-DK-EL[EU]
4	AP8144672	Valve fixing support	1	
5	AP8101586	Hose clip D.15,5x6,6	4	
6	AP8152277	Screw w/ flange M6x12	2	
7	AP8152278	Screw w/ flange M6x16	2	
8	852149	Solenoid	1	Year:2007[7], 2008[8], 2010[A]
9	AP8152281	Screw w/ flange M6x30	1	Year:2007[7], 2008[8], 2010[A]
10	854569	Solenoid Filter	1	Year:2007[7], 2008[8], 2010[A]
11	AP8141132	Rubber spacer	1	Year:2008[8] Country:United States of America[USA] Technical Specifications:Racing Version[rac]

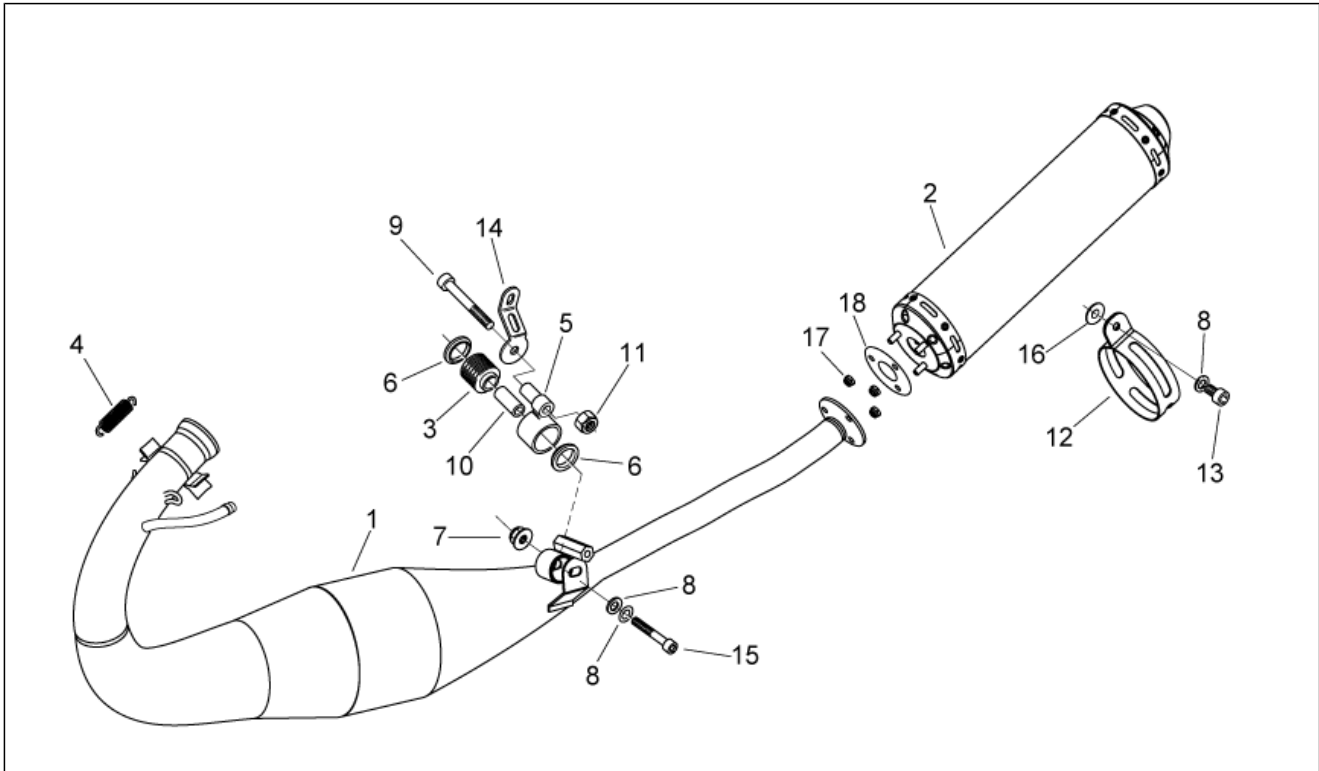


<b>Group</b>	FRAME
<b>Code</b>	28.21
<b>Description</b>	Oil tank
<b>Service</b>	1



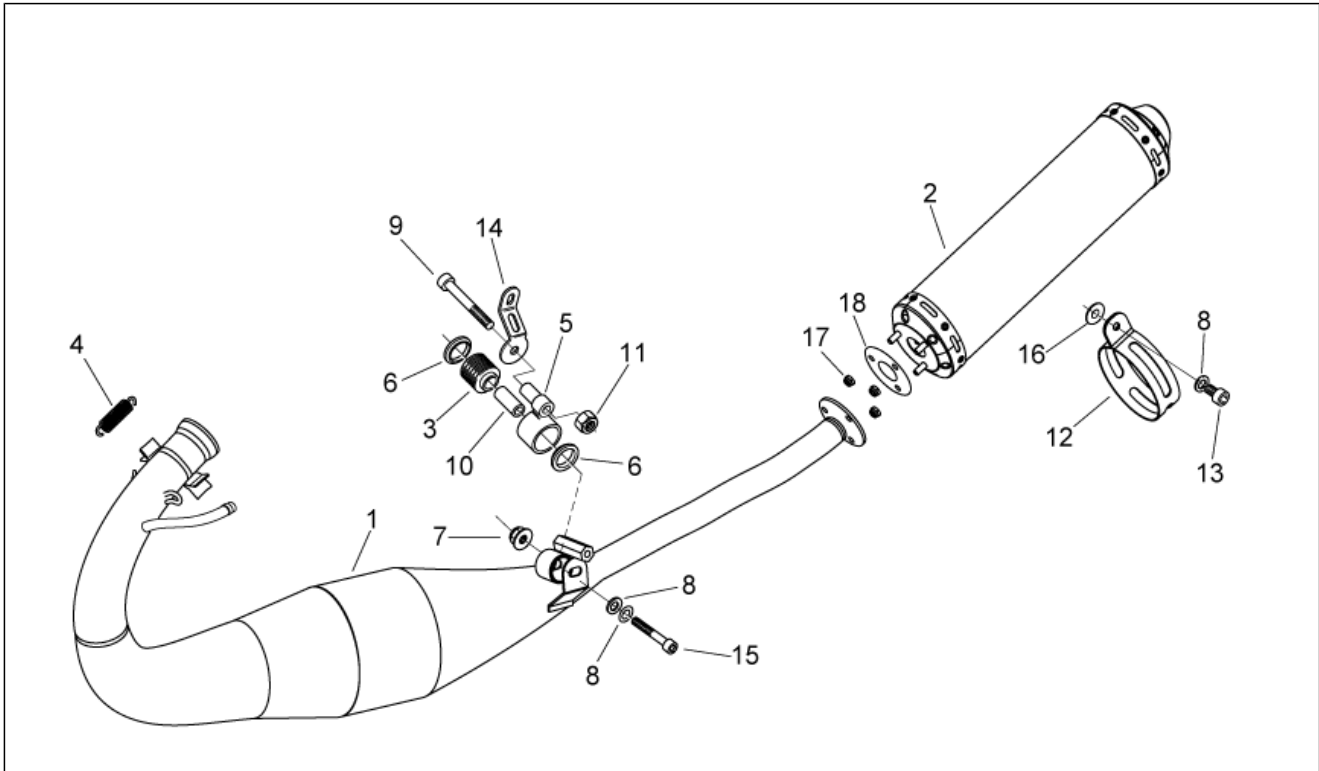
Pos.	Code	Description	Qty	Variants
1	AP8179395	Oil tank	1	
2	AP8201192	Oil reserve indicator	1	
3	AP8220421	Oil filler cap	1	
4	AP8102224	Mixer oil filter	1	
5	AP8102223	Rubber spacer *	1	
6	AP8101944	2-way union	1	
7	AP8201225	Hose clip D8,5x5,5	2	
8	AP8101743	Hose clip D23,5x8*	1	
9	AP8220384	Oil breather pipe	1	
10	AP8152298	Screw w/ flange M5x16	3	
11	AP8102375	Clip m5	3	

<b>Group</b>	FRAME
<b>Code</b>	28.27
<b>Description</b>	Exhaust unit
<b>Service</b>	1



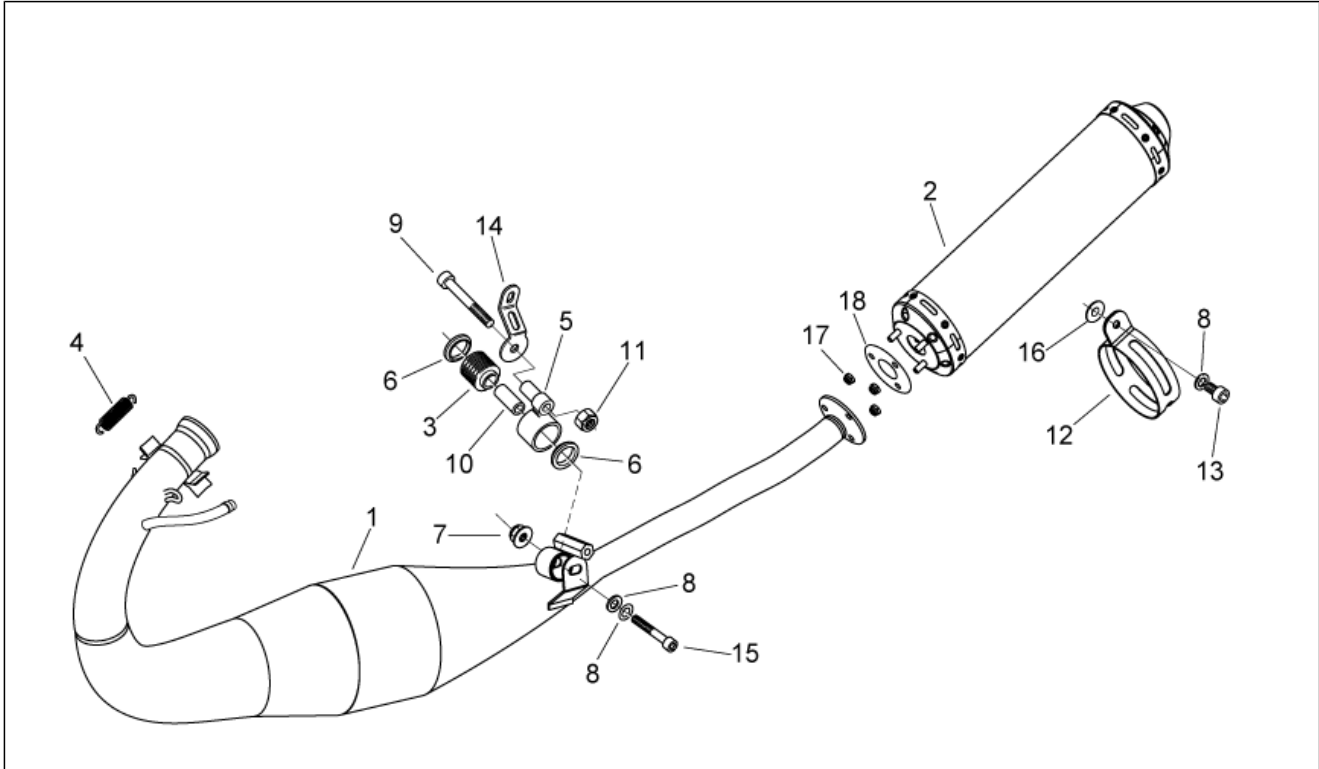
Pos.	Code	Description	Qty	Variants
1	852145	Silencer	1	Year:2007[7] Country:Australia[AA], CH-DE-DK-EL[EU] Technical Specifications:11KW version[11kw], Euro 3[E3]
1	858201	Silencer	1	Year:2010[A] Country:Australia[AA], CH-DE-DK-EL[EU] Technical Specifications:11KW version[11kw]
1	858201	Silencer	1	Year:2008[8] Country:Australia[AA], CH-DE-DK-EL[EU] Technical Specifications:Euro 3[E3], Full Power Version[f.p.]
1	858207	Silencer	1	Year:2008[8] Country:Australia[AA], CH-DE-DK-EL[EU] Technical Specifications:80Km/h speed[80Km], Euro 3[E3]
1	890921	Silencer	1	Year:2008[8] Country:United States of America[USA] Technical Specifications:Euro 3[E3], Racing Version[rac]
1	AP8119751	Silencer	1	Year:2006[6] Country:Australia[AA], CH-DE-DK-EL[EU] Technical Specifications:Euro 2[E2], Trofeo racing version[GP]
1	AP8119833	Silencer	1	Year:2006[6] Country:Australia[AA], CH-DE-DK-EL[EU] Technical Specifications:80Km/h speed[80Km], Euro 2[E2]
1	AP8119880	Silencer	1	Year:2009[9] Country:Australia[AA], Indonesia-Malaysia-New Zealand-Singapore[AP] Technical Specifications:Full Power Version[f.p.]
1	AP8119880	Silencer	1	Year:2006[6], 2007[7] Country:Australia[AA], CH-DE-DK-EL[EU] Technical Specifications:Euro 2[E2], Full Power Version[f.p.]
1	AP8119889	Silencer	1	Year:2006[6] Country:Australia[AA], CH-DE-DK-EL[EU] Technical Specifications:11KW version[11kw], Euro 2[E2]
2	853034	Silencer	1	Year:2007[7] Country:Australia[AA], CH-DE-DK-EL[EU]

<b>Group</b>	FRAME
<b>Code</b>	28.27
<b>Description</b>	Exhaust unit
<b>Service</b>	1



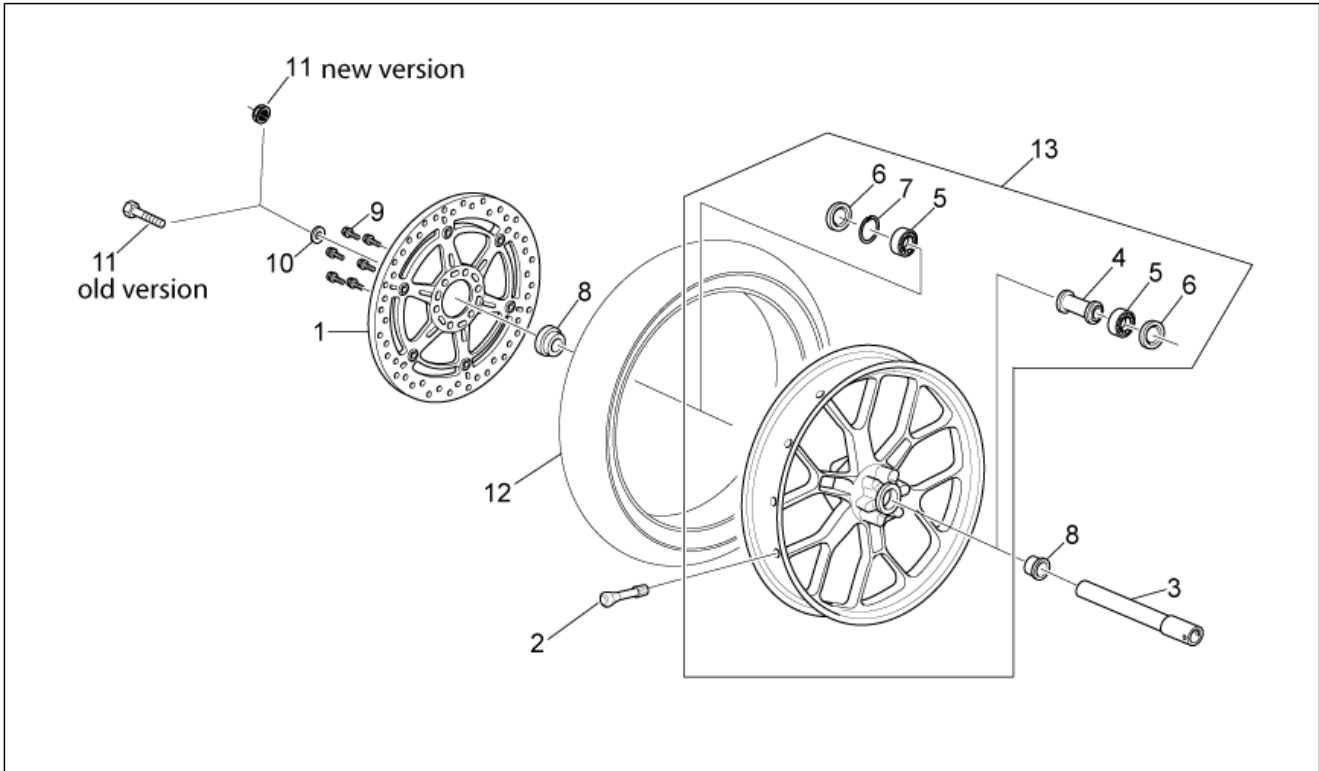
Pos.	Code	Description	Qty	Variants
				<b>Technical Specifications:</b> 11KW version[11kw], Euro 3[E3]
2	853034	Silencer	1	<b>Year:</b> 2010[A] <b>Country:</b> Australia[AA], CH-DE-DK-EL[EU] <b>Technical Specifications:</b> 11KW version[11kw]
2	853034	Silencer	1	<b>Year:</b> 2007[7], 2008[8] <b>Technical Specifications:</b> Euro 3[E3], Full Power Version[f.p.], Racing Version[rac]
2	853034	Silencer	1	<b>Year:</b> 2009[9] <b>Country:</b> Australia[AA], Indonesia-Malaysia-New Zealand-Singapore[AP] <b>Technical Specifications:</b> Full Power Version[f.p.]
2	AP8119745	Silencer	1	<b>Year:</b> 2006[6] <b>Country:</b> Australia[AA], CH-DE-DK-EL[EU] <b>Technical Specifications:</b> Euro 2[E2], Trofeo racing version[GP]
2	AP8119869	Silencer	1	<b>Year:</b> 2006[6] <b>Country:</b> Australia[AA], CH-DE-DK-EL[EU] <b>Technical Specifications:</b> 11KW version[11kw], 80Km/h speed[80Km], Euro 2[E2], Full Power Version[f.p.]
3	AP8101285	Silent-block *	2	
4	AP8121091	Coil pull spring *	2	
5	AP8135289	Exhaust pipe support	1	<b>Year:</b> 2006[6], 2007[7], 2008[8], 2009[9], 2010[A] <b>Technical Specifications:</b> Full Power Version[f.p.], Racing Version[rac]
5	AP8146608	Exhaust pipe support	1	<b>Year:</b> 2006[6], 2007[7], 2008[8], 2009[9] <b>Technical Specifications:</b> 11KW version[11kw], 80Km/h speed[80Km], Trofeo racing version[GP]
6	AP8104474	Washer 22x30	2	
7	AP8152300	Self-locking nut M8	2	
8	AP8150376	Washer 8,5x15x0,8	3	
9	AP8150351	Shear rivet M8x40	1	
10	AP8121058	Spacer *	2	

<b>Group</b>	FRAME
<b>Code</b>	28.27
<b>Description</b>	Exhaust unit
<b>Service</b>	1



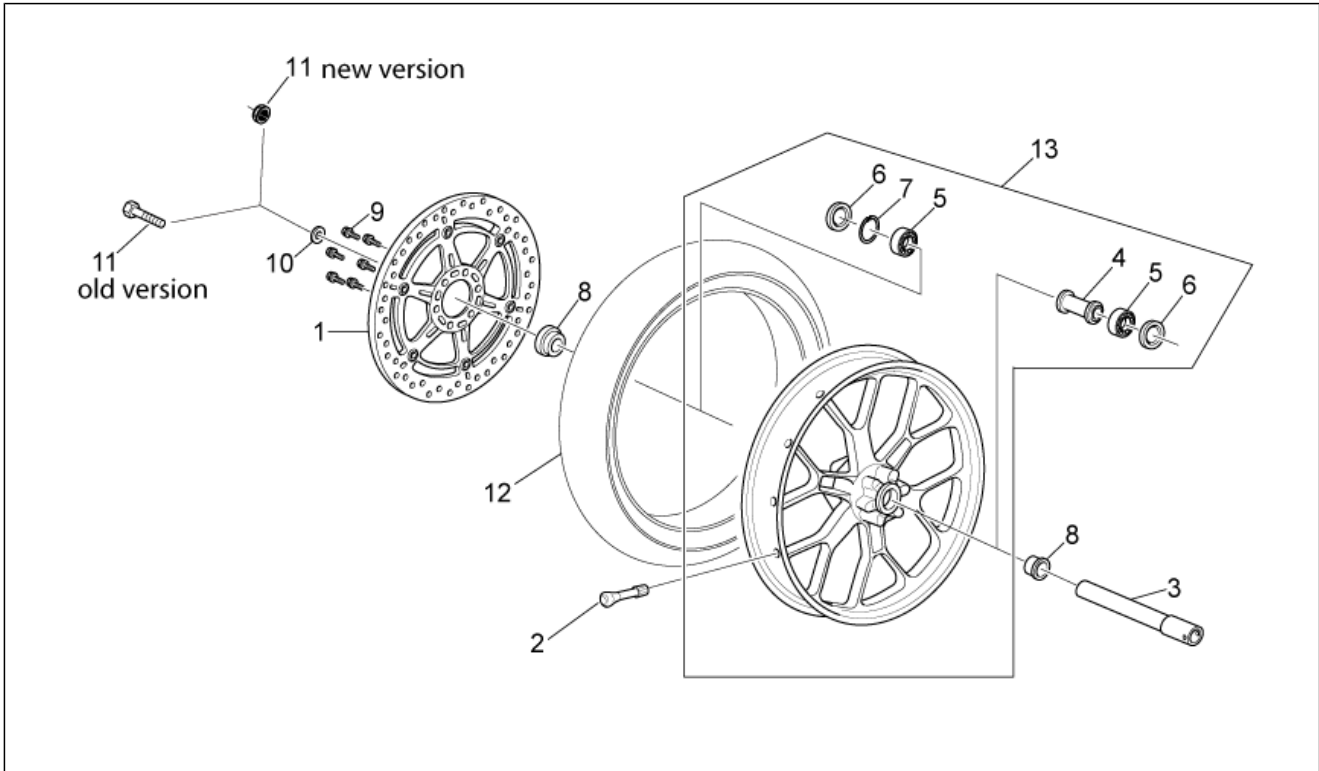
Pos.	Code	Description	Qty	Variants
11	AP8150431	Low nut M8	1	
12	AP8102432	Silencer clip	1	Year:2006[6], 2007[7], 2008[8], 2009[9], 2010[A] Technical Specifications:Trofeo racing version[GP]
12	AP8119881	Silencer clip	1	Year:2006[6], 2007[7], 2008[8], 2009[9] Technical Specifications:11KW version[11kw], 80Km/h speed[80Km], Full Power Version[f.p.], Racing Version[rac]
13	AP8152112	Hex socket screw	1	
14	AP8154016	Fairing fixing plate	1	
15	AP8150277	Hex socket screw	2	
16	AP8150017	Washer 8,4x16x1,6	1	
17	AP8152299	Self-locking nut M6	2	
18	AP8120812	Silencer gasket	1	

<b>Group</b>	FRAME
<b>Code</b>	28.28
<b>Description</b>	Front wheel
<b>Service</b>	1



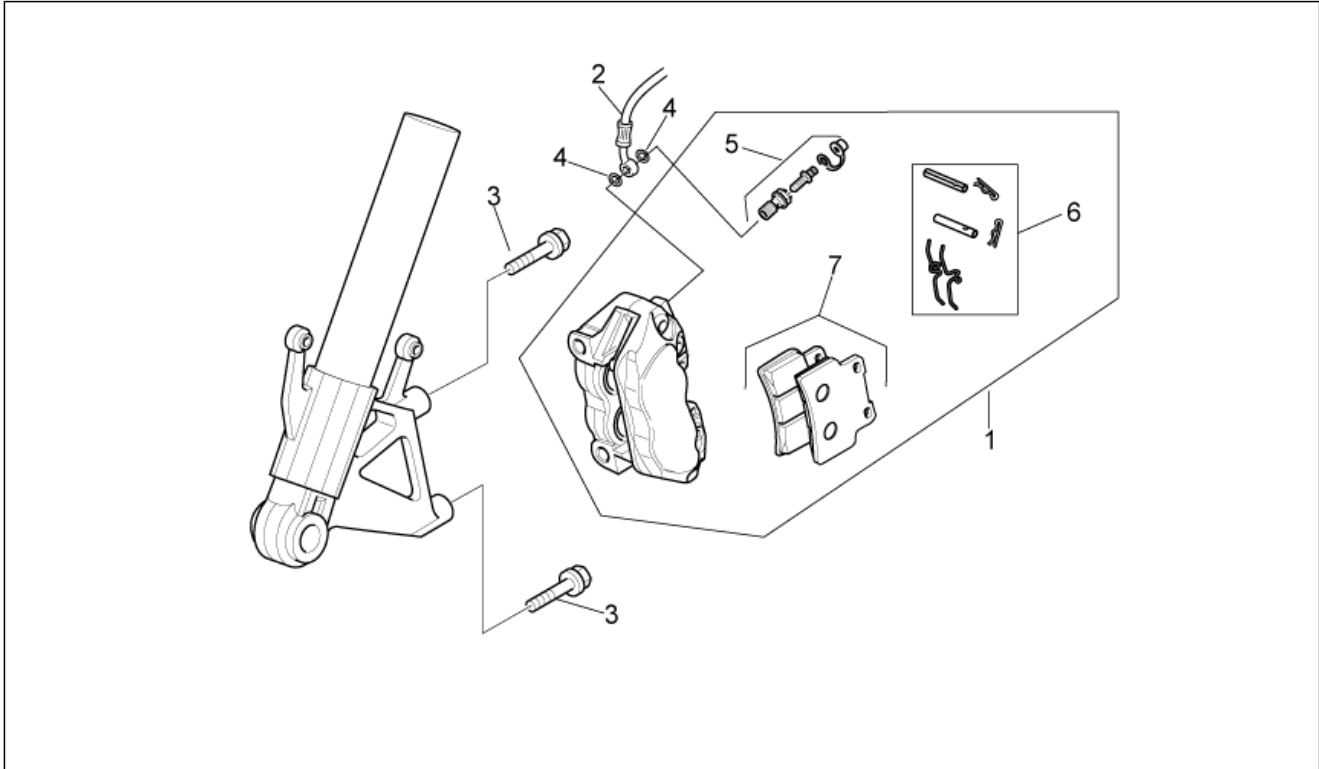
Pos.	Code	Description	Qty	Variants
1	AP8133781	Front brake disc	1	
2	AP8201546	Tubeless tyre valve	1	
3	856244	Front wheel spindle	1	<b>Technical Specifications:</b> New version[new], Racing Version[rac]
3	AP8125890	Front wheel spindle	1	<b>Technical Specifications:</b> Old version[old]
4	AP8161080	Internal spacer	1	
5	AP8110107	Bearing 20X47X14	2	
6	AP8110109	Gasket ring 28X47X7	2	
7	AP8125842	Snap ring d47	1	
8	AP8161140	Front RH whe.ou.spacer	2	
9	AP8152286	Screw w/ flange M8x20	6	
10	AP8125687	Wheel pin washer	1	<b>Technical Specifications:</b> New version[new], Racing Version[rac]
10	AP8150208	Washer 15x28x2,5*	1	<b>Technical Specifications:</b> Old version[old]
11	AP8125418	Wheel spindle screw	1	<b>Technical Specifications:</b> Old version[old]
11	AP8125763	Rear wheel spindle nut	1	<b>Technical Specifications:</b> New version[new], Racing Version[rac]
12	0000000	Tyre	1	
13	AP8128143	Front wheel, blue	1	<b>Year:</b> 2008[8] <b>Vehicle colour:</b> Spain's number 1 (S.T.856884)[spain8]
13	AP8128143	Front wheel, blue	1	<b>Year:</b> 2006[6], 2007[7] <b>Vehicle colour:</b> Aprilia Black 2006 (st.15195)[black], Trophy Black 2006[RAC6], Spain's N.1 (S.T.852262)[spain7], Aprilia White 2006 (st.15196)[white]
13	AP8128212	Front wheel, silver	1	<b>Year:</b> 2009[9] <b>Vehicle colour:</b> Black Aprilia 2008 (s.t.860303)[a.blk], Fluo Red 2008 (s.t.858632)[red] <b>Country:</b> Australia[AA], Indonesia-Malaysia-New Zealand-Singapore[AP]
13	AP8128212	Front wheel, silver	1	<b>Year:</b> 2008[8] <b>Vehicle colour:</b> Spain's number 1 (S.T.856884)[spain8]

<b>Group</b>	FRAME
<b>Code</b>	28.28
<b>Description</b>	Front wheel
<b>Service</b>	1



Pos.	Code	Description	Qty	Variants
				<b>Country:</b> Australia[AA], CH-DE-DK-EL[EU]
13	AP8128212	Front wheel, silver	1	<b>Year:</b> 2008[8] <b>Vehicle colour:</b> Spain's number 1 (S.T.856884)[spain8] <b>Country:</b> United States of America[USA] <b>Technical Specifications:</b> Racing Version[rac]
13	AP8128212	Front wheel, silver	1	<b>Year:</b> 2008[8] <b>Vehicle colour:</b> Black Aprilia 2008 (s.t.860303)[a.blk], Fluo Red 2008 (s.t.858632)[red], Talmacsi 2008 (st.860957)[tal]
13	AP8128212	Front wheel, silver	1	<b>Year:</b> 2010[A] <b>Vehicle colour:</b> 'Aprilia Black 2010[n.10], 'Glam White 2010 [w.glam] <b>Country:</b> Australia[AA], CH-DE-DK-EL[EU] <b>Technical Specifications:</b> 11KW version[11kw]
13	AP8128240	Front wheel, black	1	<b>Year:</b> 2009[9], 2010[A] <b>Vehicle colour:</b> Alitalia Replica 2010 (s.t.897896)[rali], Replica SBK 2009 (s.t.895053)[sbk] <b>Country:</b> CH-DE-DK-EL[EU]

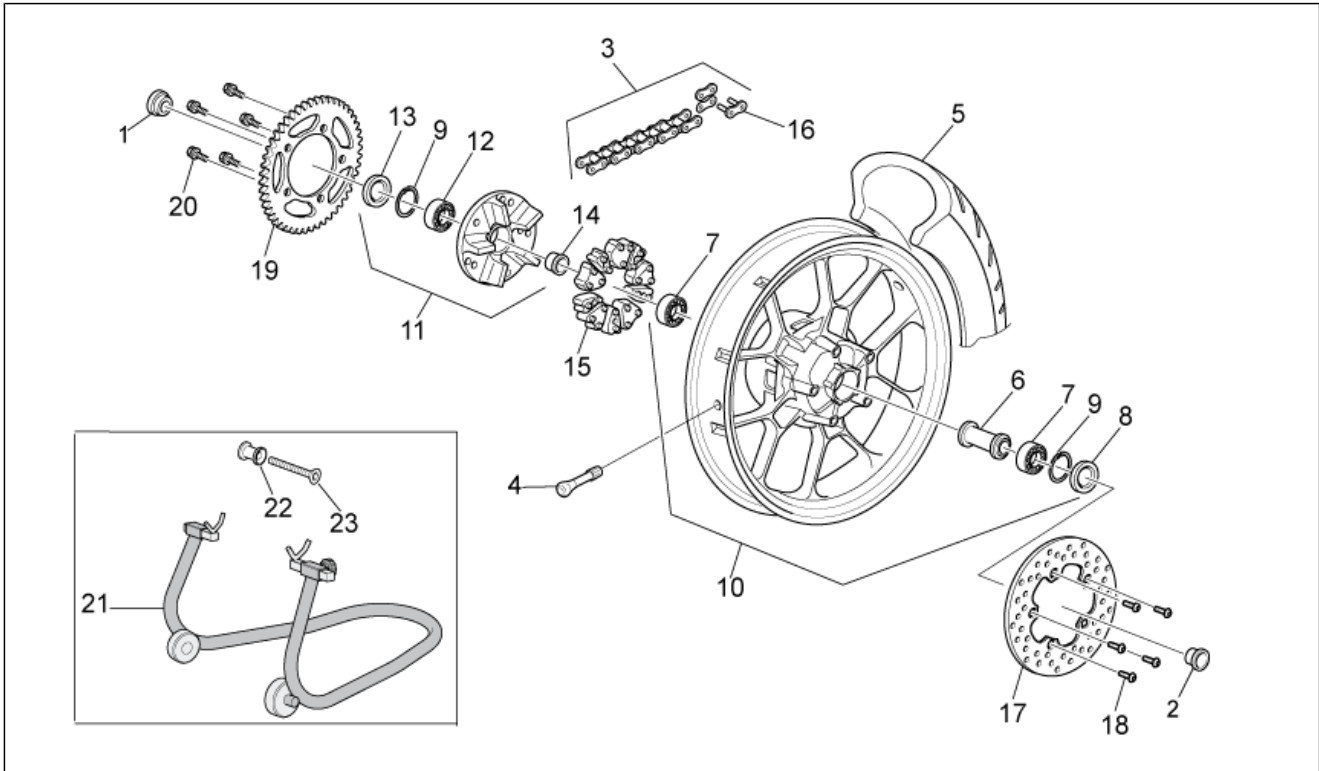
<b>Group</b>	FRAME
<b>Code</b>	28.29
<b>Description</b>	Front brake caliper
<b>Service</b>	1



Pos.	Code	Description	Qty	Variants
1	AP8133841	Front brake caliper, gold	1	
2	AP8133885	Front brake hose	1	
3	AP8152414	Screw w/ flange M10x55	2	
4	AP8113004	Washer 10x14x1,6*	2	
5	AP8133945	Bleeder kit	1	
6	AP8133944	Pin+Brake spring	1	
7	AP8133943	Front pads pair	1	

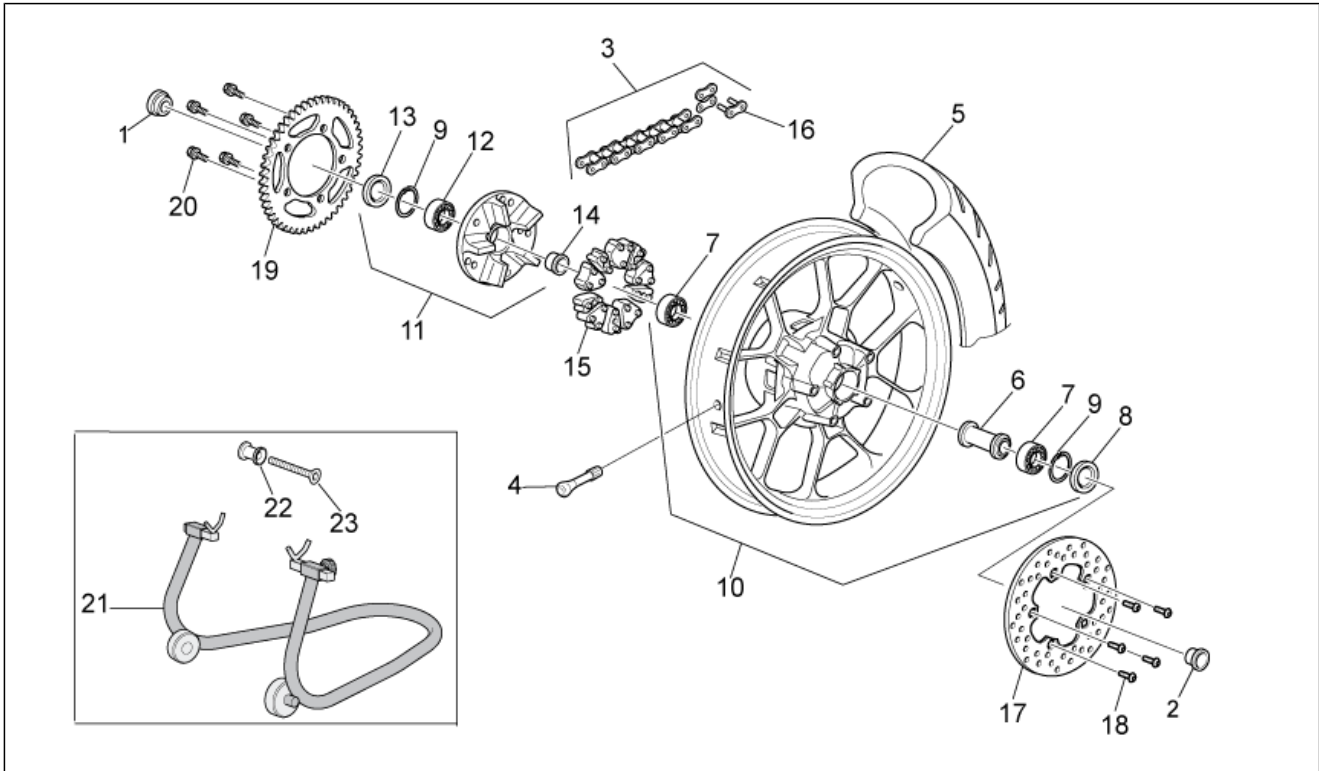


<b>Group</b>	FRAME
<b>Code</b>	28.30
<b>Description</b>	Rear wheel
<b>Service</b>	1



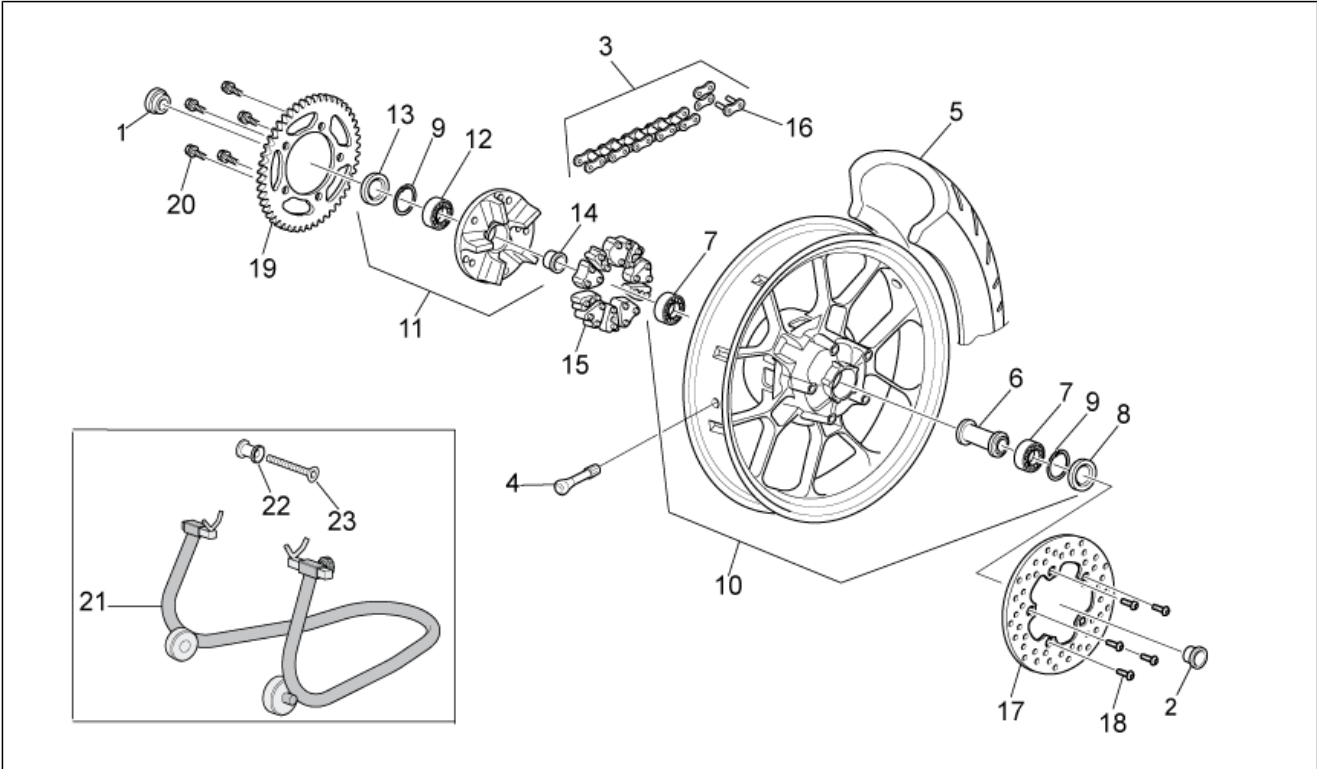
Pos.	Code	Description	Qty	Variants
1	AP8125950	RH wheel ou.spacer	1	
2	AP8125951	LH wheel ou.spacer	1	
3	AP8107110	Chain cpl conn.link	1	
4	AP8201546	Tubeless tyre valve	1	
5	0000000	Tyre	1	
6	AP8125645	Rear wheel ins.spacer	1	
7	AP8110107	Bearing 20X47X14	2	
8	AP8125841	Gasket ring 30x47x7	1	
9	AP8125842	Snap ring d47	2	
10	AP8128145	Rear wheel, blue	1	Year:2008[8] Vehicle colour:Spain's number 1 (S.T.856884)[spain8]
10	AP8128145	Rear wheel, blue	1	Year:2006[6], 2007[7] Vehicle colour:Aprilia Black 2006 (st.15195)[black], Trophy Black 2006[RAC6], Spain's N.1 (S.T.852262)[spain7], Aprilia White 2006 (st.15196)[white]
10	AP8128214	Rear wheel, silver	1	Year:2009[9] Vehicle colour:Black Aprilia 2008 (s.t.860303)[a.blk], Fluo Red 2008 (s.t.858632)[red] Country:Australia[AA], Indonesia-Malaysia-New Zealand-Singapore[AP]
10	AP8128214	Rear wheel, silver	1	Year:2010[A] Vehicle colour:'Aprilia Black 2010[n.10], 'Glam White 2010 [w.glam] Country:Australia[AA], CH-DE-DK-EL[EU] Technical Specifications:11KW version[11kw]
10	AP8128214	Rear wheel, silver	1	Year:2008[8] Vehicle colour:Spain's number 1 (S.T.856884)[spain8] Country:Australia[AA], CH-DE-DK-EL[EU]
10	AP8128214	Rear wheel, silver	1	Year:2008[8] Vehicle colour:Black Aprilia 2008 (s.t.860303)[a.blk], Fluo Red 2008 (s.t.858632)[red], Talmacci 2008 (st.860957)[tal]
10	AP8128214	Rear wheel, silver	1	Year:2008[8]

<b>Group</b>	FRAME
<b>Code</b>	28.30
<b>Description</b>	Rear wheel
<b>Service</b>	1



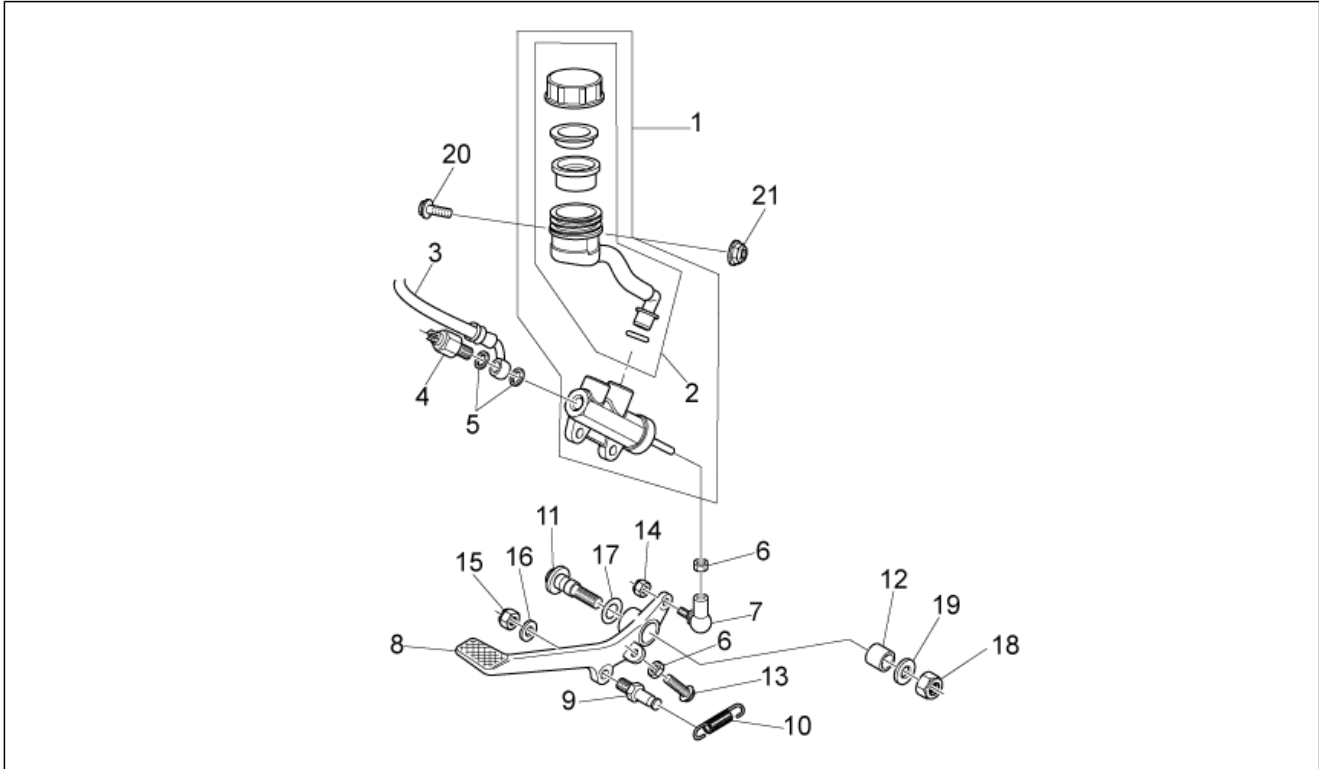
Pos.	Code	Description	Qty	Variants
				<b>Vehicle colour:</b> Spain's number 1 (S.T.856884)[spain8] <b>Country:</b> United States of America[USA] <b>Technical Specifications:</b> Racing Version[rac]
10	AP8128242	Rear wheel, black	1	<b>Year:</b> 2009[9], 2010[A] <b>Vehicle colour:</b> Alitalia Replica 2010 (s.t.897896)[r.ali], Replica SBK 2009 (s.t.895053)[sbk] <b>Country:</b> CH-DE-DK-EL[EU]
11	AP8107165	Crown holder	1	<b>Year:</b> 2006[6], 2007[7] <b>Vehicle colour:</b> Aprilia Black 2006 (st.15195)[black], Trophy Black 2006[RAC6], Spain's N.1 (S.T.852262)[spain7], Aprilia White 2006 (st.15196)[white]
11	AP8107165	Crown holder	1	<b>Year:</b> 2008[8] <b>Vehicle colour:</b> Spain's number 1 (S.T.856884)[spain8]
11	AP8125962	Crown holder, silver	1	<b>Year:</b> 2008[8], 2009[9] <b>Vehicle colour:</b> Black Aprilia 2008 (s.t.860303)[a.blk], Fluo Red 2008 (s.t.858632)[red], Talmacsi 2008 (st.860957)[tal]
11	AP8125962	Crown holder, silver	1	<b>Year:</b> 2008[8] <b>Vehicle colour:</b> Spain's number 1 (S.T.856884)[spain8] <b>Country:</b> United States of America[USA] <b>Technical Specifications:</b> Racing Version[rac]
11	AP8125962	Crown holder, silver	1	<b>Year:</b> 2010[A] <b>Vehicle colour:</b> 'Aprilia Black 2010[n.10], 'Glam White 2010 [w.glam] <b>Country:</b> Australia[AA], CH-DE-DK-EL[EU] <b>Technical Specifications:</b> 11KW version[11kw]
11	AP8125962	Crown holder, silver	1	<b>Year:</b> 2008[8] <b>Vehicle colour:</b> Spain's number 1 (S.T.856884)[spain8] <b>Country:</b> Australia[AA], CH-DE-DK-EL[EU]
11	AP8128244	Crown holder, black	1	<b>Year:</b> 2009[9], 2010[A] <b>Vehicle colour:</b> Alitalia Replica 2010 (s.t.897896)[r.ali], Replica SBK 2009 (s.t.895053)[sbk] <b>Country:</b> CH-DE-DK-EL[EU]
12	AP8125869	Bearing 6005-2rs 25x47x12	1	
13	AP8125841	Gasket ring 30x47x7	1	

<b>Group</b>	FRAME
<b>Code</b>	28.30
<b>Description</b>	Rear wheel
<b>Service</b>	1



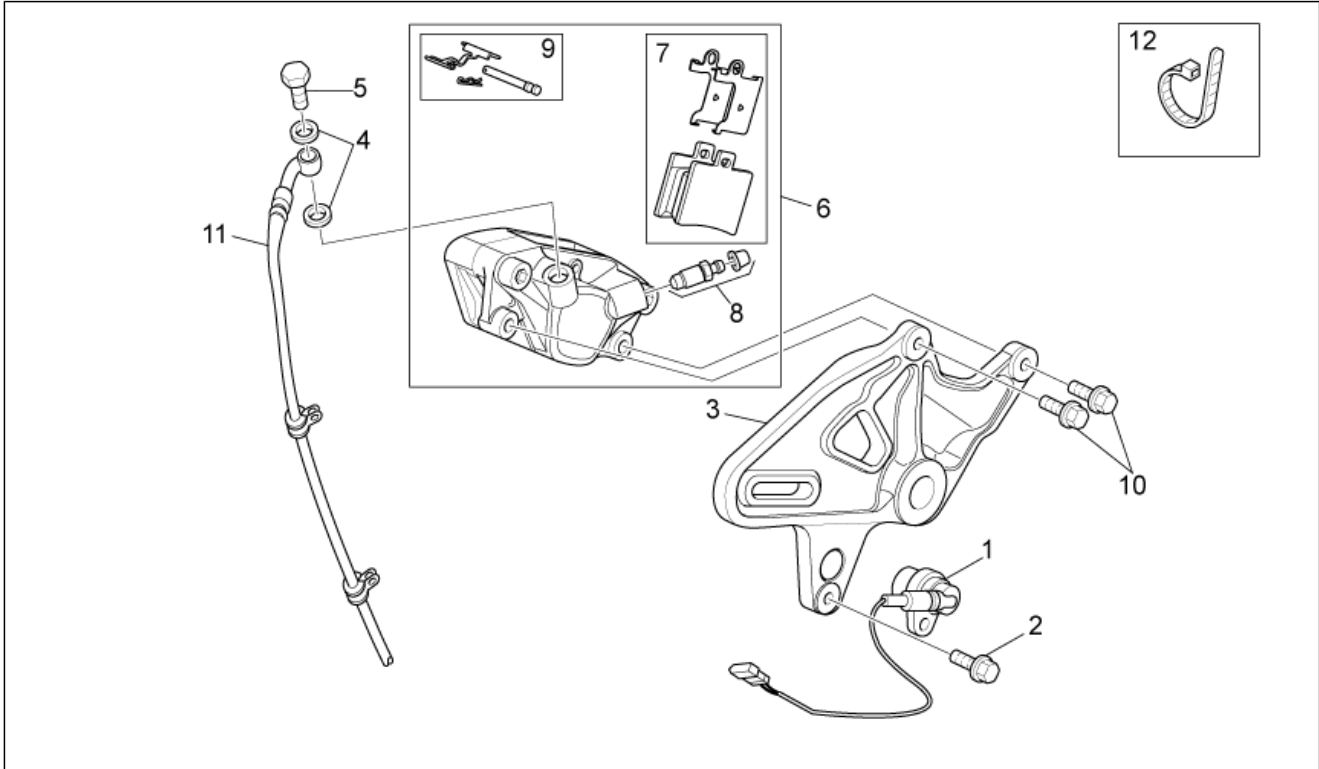
Pos.	Code	Description	Qty	Variants
14	AP8161079	Internal spacer	1	
15	AP8144686	Flexible coupling rubber	5	
16	AP8107135	Connecting link	1	
17	AP8213317	Rear brake disc	1	
18	AP8213418	screw	5	
19	AP8107166	Chain ring Z=40	1	
20	AP8152473	Screw w/ flange	5	
21	AP8705021	Rear Workshop stand	1	<b>Technical Specifications:</b> Trofeo racing version[GP]
22	AP8121890	Rear stand bush	2	<b>Technical Specifications:</b> Trofeo racing version[GP]
23	AP8150468	Screw M6x40	2	<b>Technical Specifications:</b> Trofeo racing version[GP]

<b>Group</b>	FRAME
<b>Code</b>	28.31
<b>Description</b>	Rear master cylinder
<b>Service</b>	1



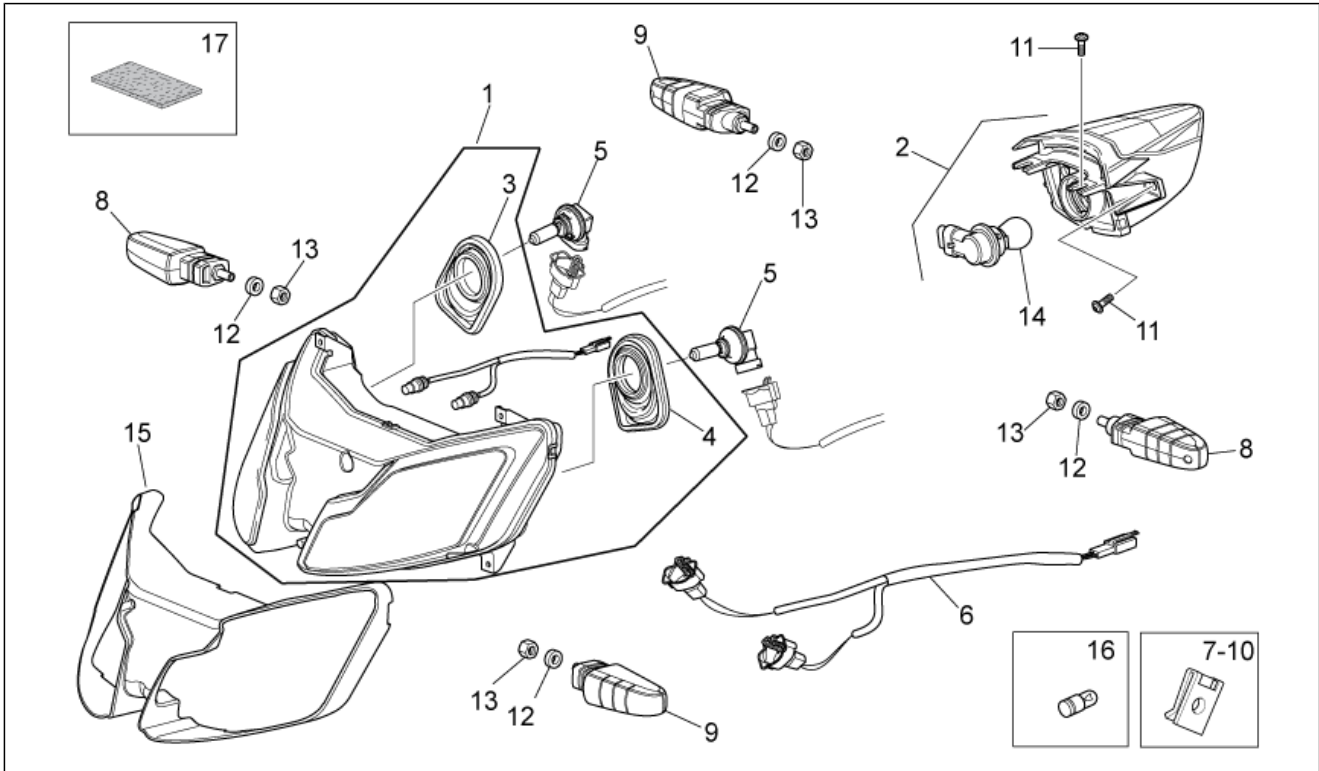
Pos.	Code	Description	Qty	Variants
1	AP8133843	Rear master cylinder	1	
2	AP8104998	Oil tank	1	
3	AP8133884	Rear brake hose	1	
4	AP8124479	Stop switch	1	Country:Australia[AA], Indonesia-Malaysia-New Zealand-Singapore[AP], CH-DE-DK-EL[EU]
5	AP8113004	Washer 10x14x1,6*	9	
6	AP8150026	Nut M6	2	
7	AP8210007	RH ball joint M6	1	
8	AP8132635	Rear brake lever	1	
9	AP8121835	Springs fixing pin	1	
10	AP8121118	Coil pull spring *	1	
11	AP8121284	Brake lever pin	1	
12	AP8121147	Spacer *	1	
13	AP8152280	Screw w/ flange M6x25	1	
14	AP8150430	Low self-locking nut	2	
15	AP8150431	Low nut M8	2	
16	AP8150017	Washer 8,4x16x1,6	1	
17	AP8152176	Washer 10,5X18X2*	1	
18	AP8150436	Low self-locking nut	1	
19	AP8121697	Belleville spring	1	
20	AP8152278	Screw w/ flange M6x16	1	
21	AP8152299	Self-locking nut M6	1	

<b>Group</b>	FRAME
<b>Code</b>	28.32
<b>Description</b>	Rear brake caliper
<b>Service</b>	1



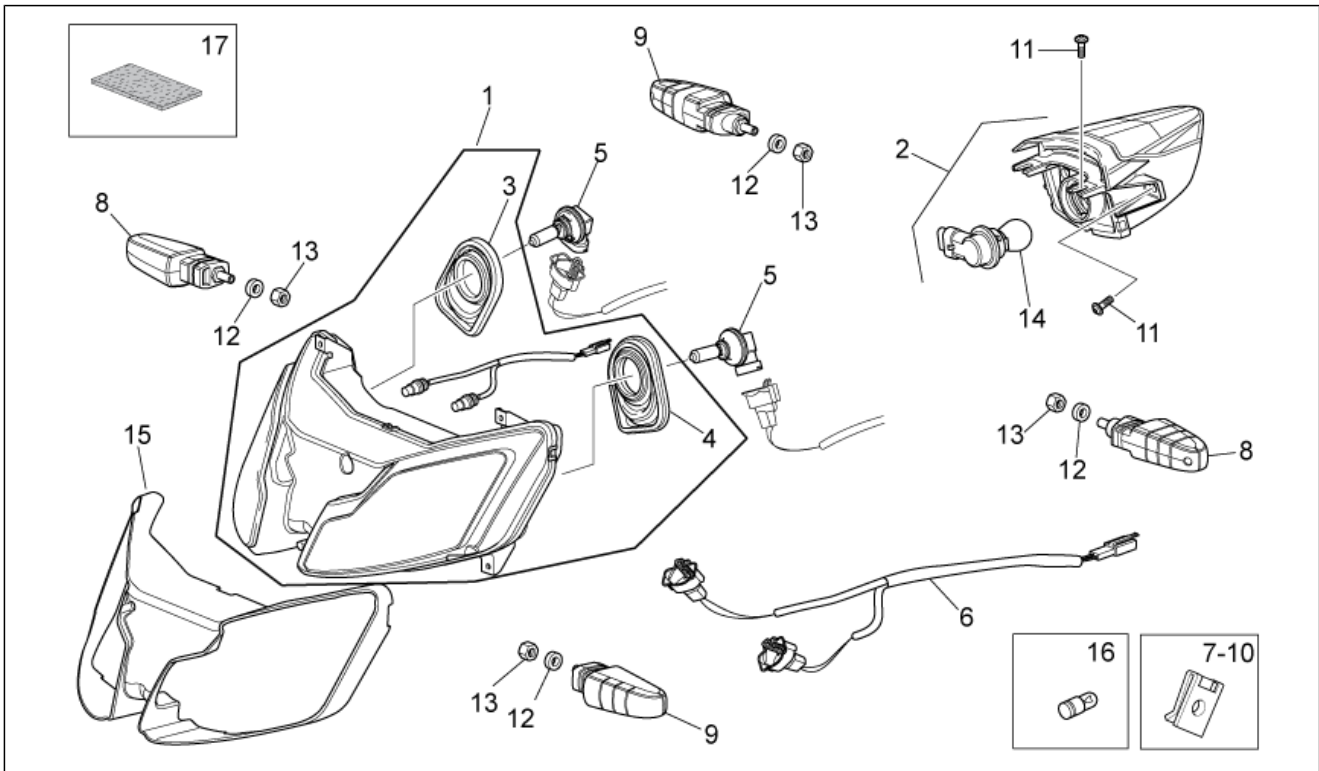
Pos.	Code	Description	Qty	Variants
1	AP8127668	Speedometer sensor cpl.	1	
2	AP8152278	Screw w/ flange M6x16	1	
3	AP8154015	Brake hanger plate	1	
4	AP8113004	Washer 10x14x1,6*	2	
5	AP8113003	Oil pipe screw *	3	
6	AP8133845	Rear brake caliper, gold	1	
7	AP8133946	Rear pads pair	1	
8	AP8133948	Bleeder kit	1	
9	AP8133947	Pin+Brake spring	1	
10	AP8152287	Screw w/ flange M8x25	2	
11	AP8133884	Rear brake hose	1	
12	AP8120422	Black hose 98x2*	2	

<b>Group</b>	FRAME
<b>Code</b>	28.33
<b>Description</b>	Lights
<b>Service</b>	1



Pos.	Code	Description	Qty	Variants
1	AP8127748	Headlight	1	
2	AP8127750	Taillight	1	
3	AP8224656	RH Front headlight guard	1	
4	AP8224657	LH Front headlight guard	1	
5	852200	Lamp H11 12V-55W	2	
6	AP8127746	Headlight wiring w/harness	1	Country:Australia[AA], Indonesia-Malaysia-New Zealand-Singapore[AP], CH-DE-DK-EL[EU]
6	AP8224666	Headlight wiring w/harness	1	Country:United States of America[USA]
7	AP8102375	Clip m5	4	
8	860974	RH front turn indicator	2	Country:Australia[AA], Indonesia-Malaysia-New Zealand-Singapore[AP], CH-DE-DK-EL[EU] Technical Specifications:turn indicator 1led[F1]
8	AP8127656	RH front turn indicator	2	Country:Australia[AA], CH-DE-DK-EL[EU] Technical Specifications:turn indicator 4led[F4]
9	860975	LH front turn indicator	2	Country:Australia[AA], Indonesia-Malaysia-New Zealand-Singapore[AP], CH-DE-DK-EL[EU] Technical Specifications:turn indicator 1led[F1]
9	AP8127657	LH front turn indicator	2	Country:Australia[AA], CH-DE-DK-EL[EU] Technical Specifications:turn indicator 4led[F4]
10	AP8102381	Clip M4	4	
11	AP8152298	Screw w/ flange M5x16	4	
12	AP8150017	Washer 8,4x16x1,6	4	Country:Australia[AA], Indonesia-Malaysia-New Zealand-Singapore[AP], CH-DE-DK-EL[EU] Technical Specifications:turn indicator 4led[F4]
12	AP8150280	Hex socket screw	4	Country:Australia[AA], Indonesia-Malaysia-New Zealand-Singapore[AP], CH-DE-DK-EL[EU] Technical Specifications:turn indicator 1led[F1]
13	AP8152262	Low nut	4	Country:Australia[AA], Indonesia-Malaysia-New Zealand-Singapore[AP], CH-DE-DK-EL[EU] Technical Specifications:turn indicator 4led[F4]
13	AP8152306	Self-locking nut m5	4	Country:Australia[AA], Indonesia-Malaysia-New Zealand-Singapore[AP], CH-DE-DK-EL[EU]

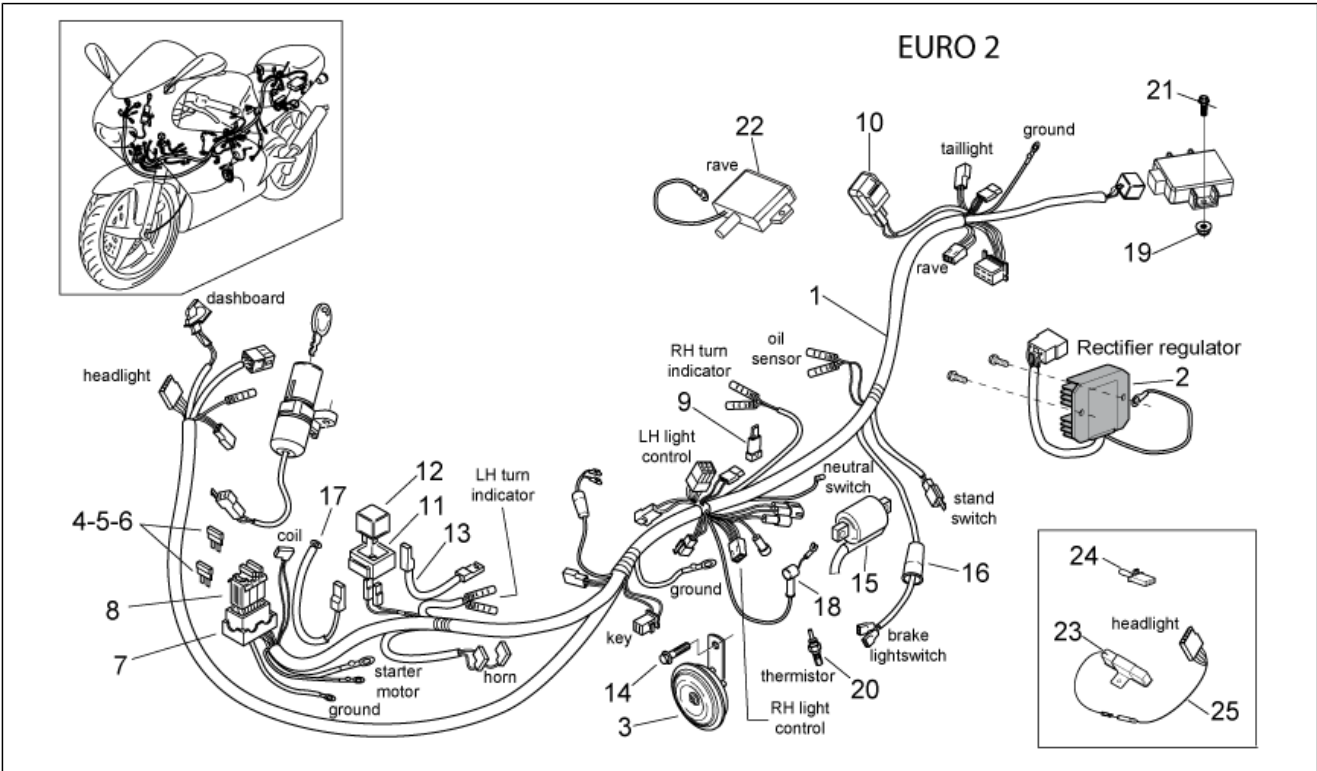
<b>Group</b>	FRAME
<b>Code</b>	28.33
<b>Description</b>	Lights
<b>Service</b>	1



Pos.	Code	Description	Qty	Variants
				<b>Technical Specifications:</b> turn indicator 1led[F1]
14	129953	Lamp 12V-21/5W	1	
15	AP8179271	Guard	1	
16	AP9100976	Lamp, orange WY2,3W	16	
17	AP8144529	Gasket	1	

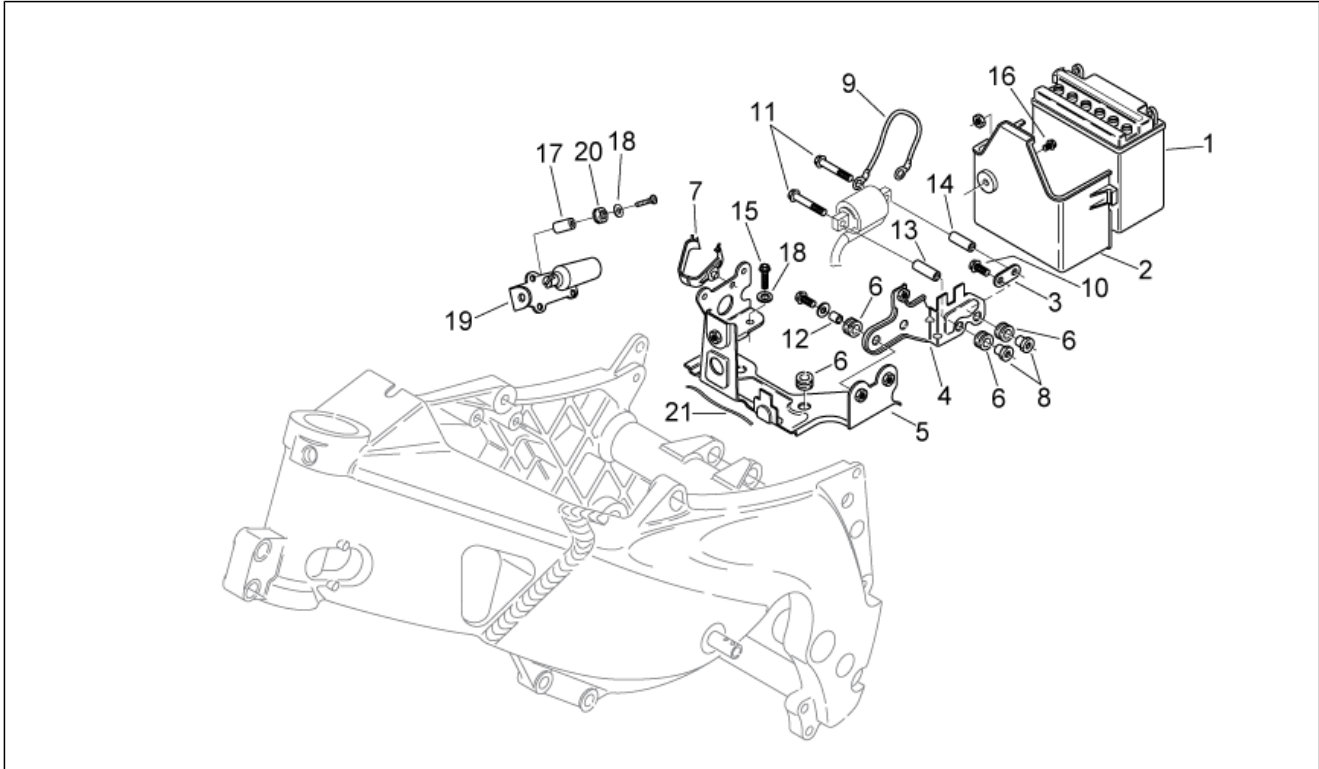


<b>Group</b>	FRAME
<b>Code</b>	28.34
<b>Description</b>	Electrical system I
<b>Service</b>	1



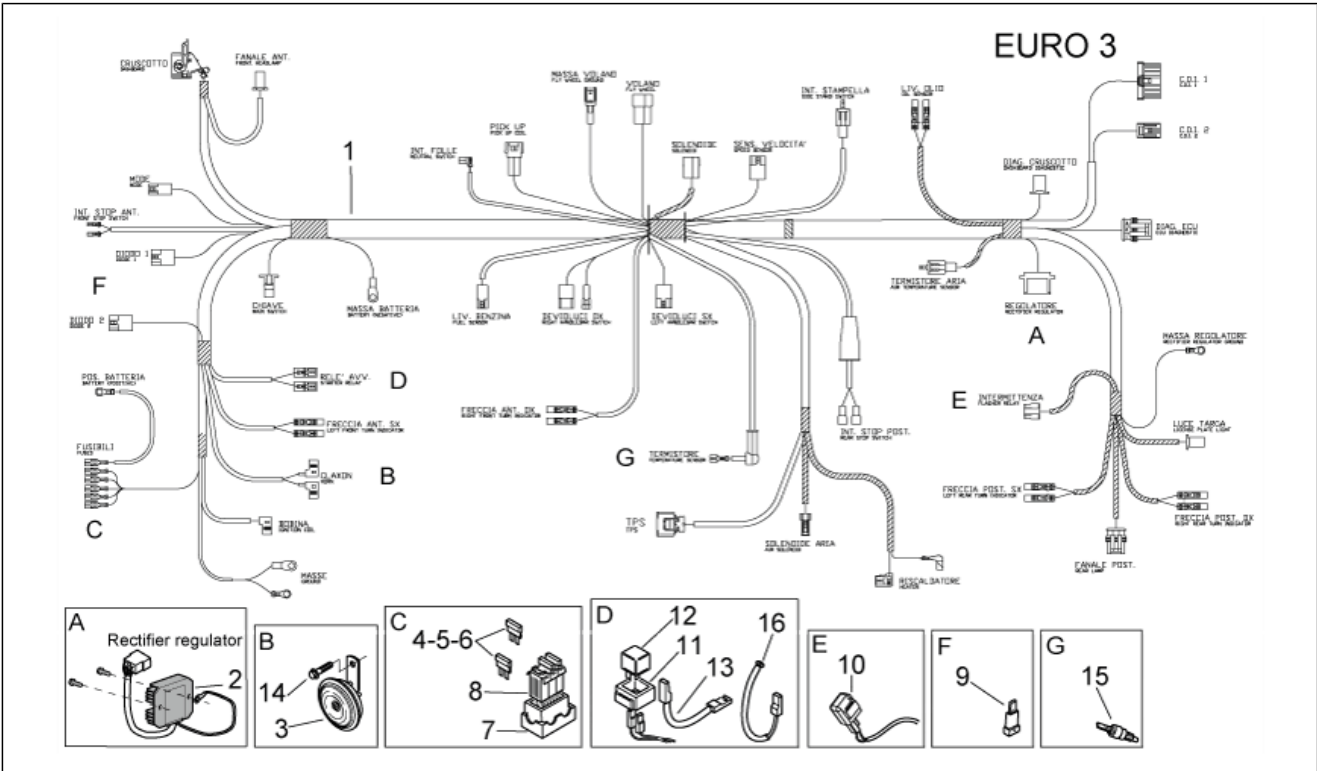
Pos.	Code	Description	Qty	Variants
1	AP8127745	Main wiring harness	1	Year:2006[6]
2	AP8112906	Voltage regulator	1	Year:2006[6]
3	AP8127391	Horn	1	Year:2006[6]
4	252945	Fuse 7,5A	1	Year:2006[6]
5	290860	Fuse 15A	1	Year:2006[6]
6	495357	Fuse 20A	1	Year:2006[6]
7	AP8112942	Rubber fuse box	1	Year:2006[6]
8	AP8120754	Rubber fuse box	1	Year:2006[6]
9	AP8212588	Diode	1	Year:2006[6]
10	AP8127847	Flasher unit	1	Year:2006[6]
11	AP8220546	Relay rubber	1	Year:2006[6]
12	AP8224026	Starter relay	1	Year:2006[6]
13	AP8124119	Relay-starter motor cable	1	Year:2006[6]
14	AP8152285	Screw w/ flange	1	Year:2006[6]
15	AP8112567	Rave cont.solenoid	1	Year:2006[6]
16	AP8120816	Rubber spacer	1	Year:2006[6]
17	AP8112460	Relay-motor cable	1	Year:2006[6]
18	AP8118516	Terminal cap	1	Year:2006[6]
19	AP8152299	Self-locking nut M6	2	Year:2006[6]
20	AP8124487	Thermistor	1	Year:2006[6]
21	AP8152279	Screw w/ flange M6x20	2	Year:2006[6]
22	AP8112568	Rave ECU	1	Year:2006[6]
23	AP8224170	Resistance with harness	1	Year:2006[6]
24	AP8124943	Lateral stand switch	1	Year:2006[6]
25	851757	Resistance Wiring	1	Year:2006[6]

<b>Group</b>	FRAME
<b>Code</b>	28.35
<b>Description</b>	Electrical system II
<b>Service</b>	1



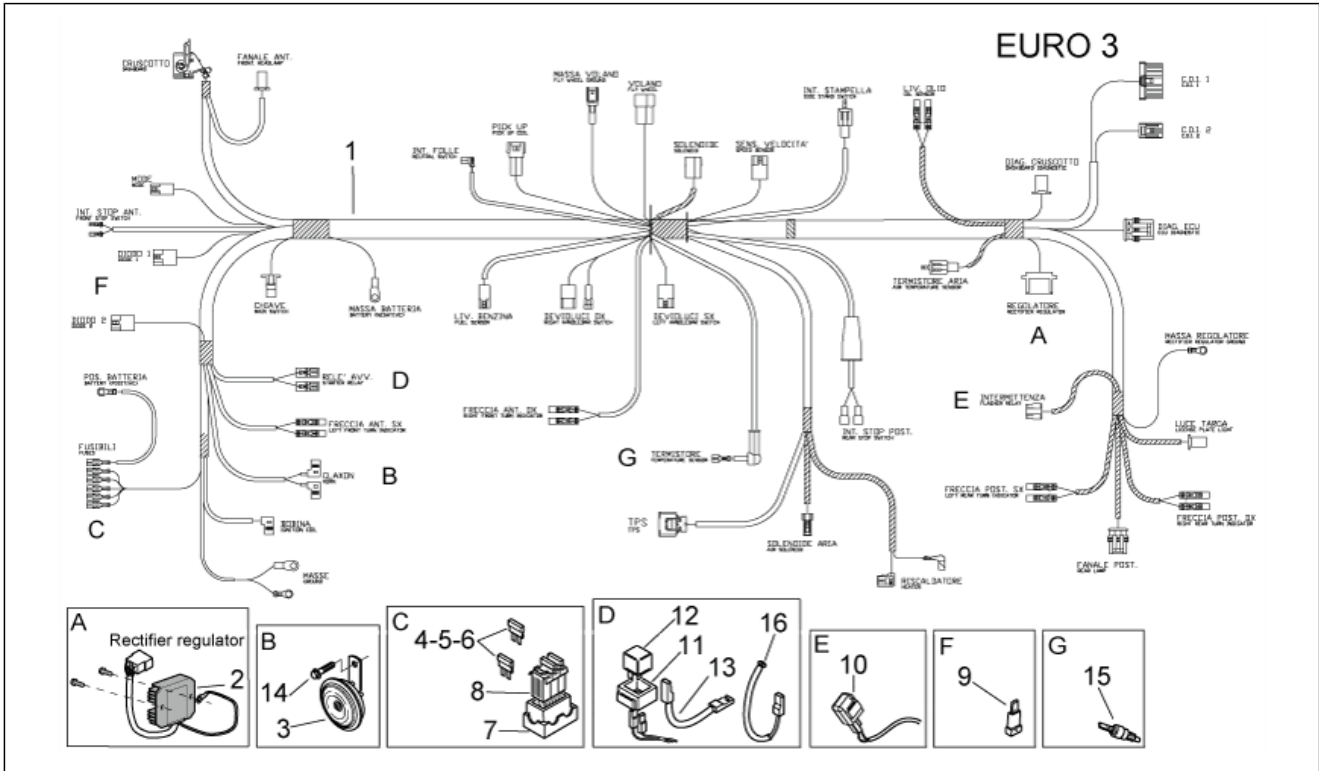
Pos.	Code	Description	Qty	Variants
1	584810	Battery 12V-9Ah	1	
2	AP8131256	Battery holder	1	
3	AP8134348	Coil support plate	1	
4	AP8124117	Fuse block support	1	
5	AP8135448	Battery holder supp. plate	1	
6	AP8120030	Rubber spacer	6	
7	AP8120582	Cable-guide	1	
8	AP8121731	T bush *	2	
9	AP8112458	Battery negative leads	1	
10	AP8152278	Screw w/ flange M6x16	1	
11	AP8152284	Screw w/ flange	2	
12	AP8221007	Spacer 6,5X10X11*	2	
13	AP8121764	Spacer *	1	
14	AP8220185	Dashboard bush	1	
15	855799	Screw w/ flange	4	
16	AP8152277	Screw w/ flange M6x12	1	
17	AP8121736	T bush	2	
18	AP8150013	Washer 5,5x15x1,6*	6	
19	AP8132869	Solenoid supp. plate	1	
20	AP8120405	Rubber spacer	2	
21	AP8161205	Gasket L25	1	

<b>Group</b>	FRAME
<b>Code</b>	28.36
<b>Description</b>	Electrical system III
<b>Service</b>	1



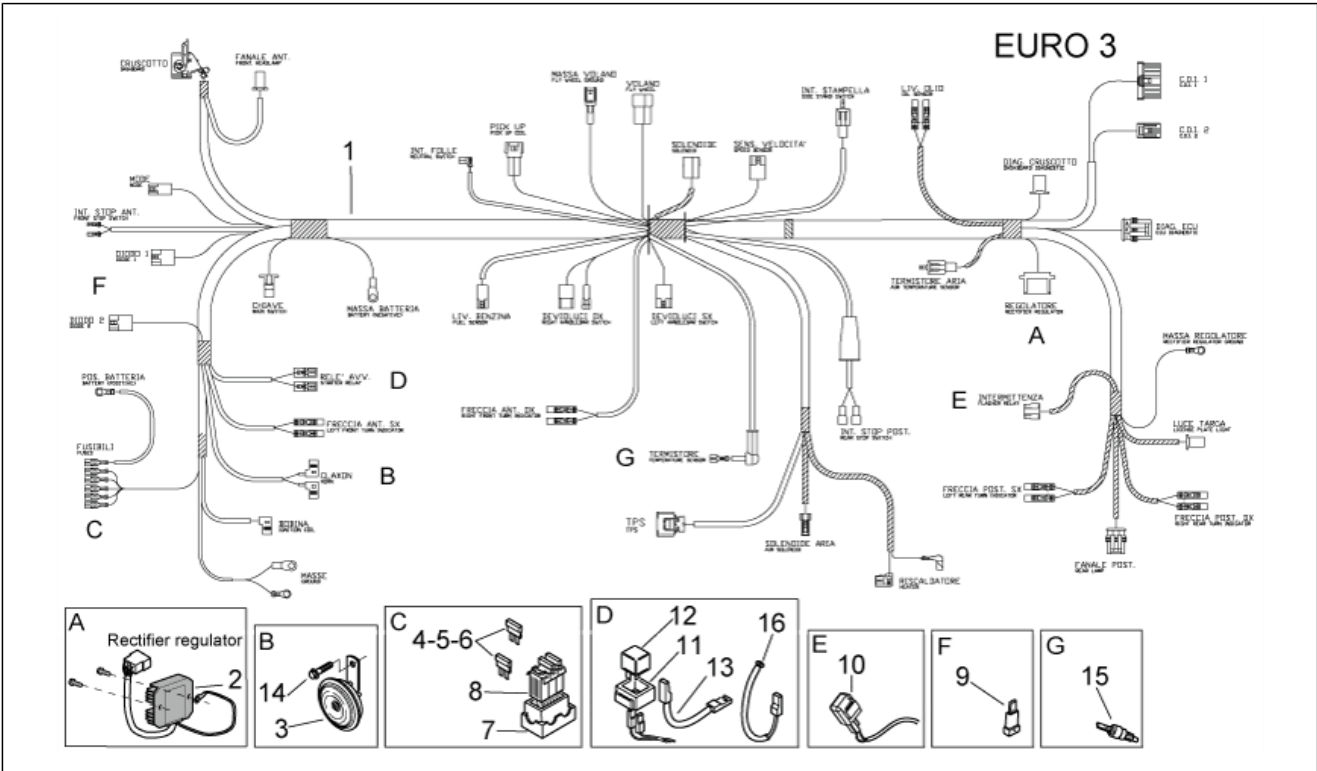
Pos.	Code	Description	Qty	Variants
1	852146	Main wiring harness	1	Year:2007[7], 2008[8], 2010[A] Country:Australia[AA], CH-DE-DK-EL[EU] Technical Specifications:11KW version[11kw], Full Power Version[f.p.]
1	890989	Main wiring harness	1	Year:2008[8] Country:United States of America[USA] Technical Specifications:Racing Version[rac]
1	AP8127745	Main wiring harness	1	Year:2009[9] Country:Australia[AA], Indonesia-Malaysia-New Zealand-Singapore[AP] Technical Specifications:Full Power Version[f.p.]
2	AP8112906	Voltage regulator	1	Year:2007[7], 2008[8], 2010[A] Country:Australia[AA], CH-DE-DK-EL[EU], United States of America[USA]
2	AP8112906	Voltage regulator	1	Year:2009[9] Country:Australia[AA], Indonesia-Malaysia-New Zealand-Singapore[AP]
3	AP8127309	Horn	1	Year:2009[9] Country:Australia[AA], Indonesia-Malaysia-New Zealand-Singapore[AP]
3	AP8127309	Horn	1	Year:2007[7], 2008[8], 2010[A] Country:Australia[AA], CH-DE-DK-EL[EU]
4	252945	Fuse 7,5A	1	Year:2007[7], 2008[8], 2010[A] Country:Australia[AA], CH-DE-DK-EL[EU]
4	252945	Fuse 7,5A	1	Year:2009[9] Country:Australia[AA], Indonesia-Malaysia-New Zealand-Singapore[AP]
5	290860	Fuse 15A	1	Year:2009[9] Country:Australia[AA], Indonesia-Malaysia-New Zealand-Singapore[AP]
5	290860	Fuse 15A	1	Year:2007[7], 2008[8], 2010[A] Country:Australia[AA], CH-DE-DK-EL[EU]
6	495357	Fuse 20A	1	Year:2009[9]

<b>Group</b>	FRAME
<b>Code</b>	28.36
<b>Description</b>	Electrical system III
<b>Service</b>	1



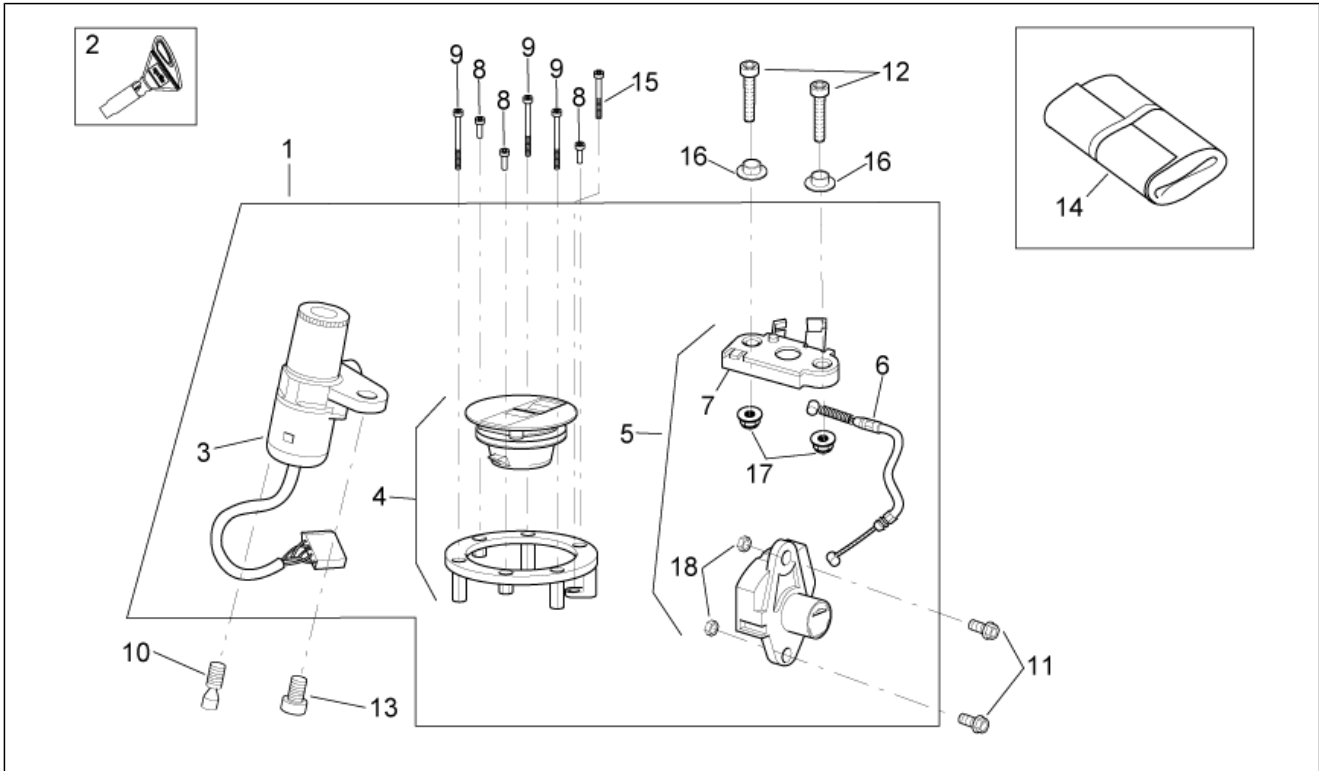
Pos.	Code	Description	Qty	Variants
				Country:Australia[AA], Indonesia-Malaysia-New Zealand-Singapore[AP]
6	495357	Fuse 20A	1	Year:2007[7], 2008[8], 2010[A] Country:Australia[AA], CH-DE-DK-EL[EU]
7	AP8112942	Rubber fuse box	1	Year:2009[9] Country:Australia[AA], Indonesia-Malaysia-New Zealand-Singapore[AP]
7	AP8112942	Rubber fuse box	1	Year:2007[7], 2008[8], 2010[A] Country:Australia[AA], CH-DE-DK-EL[EU]
8	AP8120754	Rubber fuse box	1	Year:2007[7], 2008[8], 2010[A] Country:Australia[AA], CH-DE-DK-EL[EU]
8	AP8120754	Rubber fuse box	1	Year:2009[9] Country:Australia[AA], Indonesia-Malaysia-New Zealand-Singapore[AP]
9	AP8212588	Diode	2	Year:2007[7], 2008[8], 2010[A]
9	AP8212588	Diode	2	Year:2009[9] Country:Australia[AA], Indonesia-Malaysia-New Zealand-Singapore[AP]
10	AP8127847	Flasher unit	1	Year:2007[7], 2008[8], 2010[A] Country:Australia[AA], CH-DE-DK-EL[EU]
10	AP8127847	Flasher unit	1	Year:2009[9] Country:Australia[AA], Indonesia-Malaysia-New Zealand-Singapore[AP]
11	AP8220546	Relay rubber	1	Year:2007[7], 2008[8], 2010[A] Country:Australia[AA], CH-DE-DK-EL[EU]
11	AP8220546	Relay rubber	1	Year:2009[9] Country:Australia[AA], Indonesia-Malaysia-New Zealand-Singapore[AP]
12	AP8224026	Starter relay	1	Year:2007[7], 2008[8], 2010[A] Country:Australia[AA], CH-DE-DK-EL[EU]
12	AP8224026	Starter relay	1	Year:2009[9] Country:Australia[AA], Indonesia-Malaysia-New Zealand-Singapore[AP]

<b>Group</b>	FRAME
<b>Code</b>	28.36
<b>Description</b>	Electrical system III
<b>Service</b>	1



Pos.	Code	Description	Qty	Variants
13	AP8124119	Relay-starter motor cable	1	Year:2007[7], 2008[8], 2010[A] Country:Australia[AA], CH-DE-DK-EL[EU]
13	AP8124119	Relay-starter motor cable	1	Year:2009[9] Country:Australia[AA], Indonesia-Malaysia-New Zealand-Singapore[AP]
14	AP8152285	Screw w/ flange	1	Year:2007[7], 2008[8], 2010[A] Country:Australia[AA], CH-DE-DK-EL[EU]
14	AP8152285	Screw w/ flange	1	Year:2009[9] Country:Australia[AA], Indonesia-Malaysia-New Zealand-Singapore[AP]
15	AP8124487	Thermistor	1	Year:2007[7], 2008[8], 2010[A] Country:Australia[AA], CH-DE-DK-EL[EU]
15	AP8124487	Thermistor	1	Year:2009[9] Country:Australia[AA], Indonesia-Malaysia-New Zealand-Singapore[AP]
16	AP8112460	Relay-motor cable	1	Year:2009[9] Country:Australia[AA], Indonesia-Malaysia-New Zealand-Singapore[AP]
16	AP8112460	Relay-motor cable	1	Year:2007[7], 2008[8], 2010[A] Country:Australia[AA], CH-DE-DK-EL[EU]

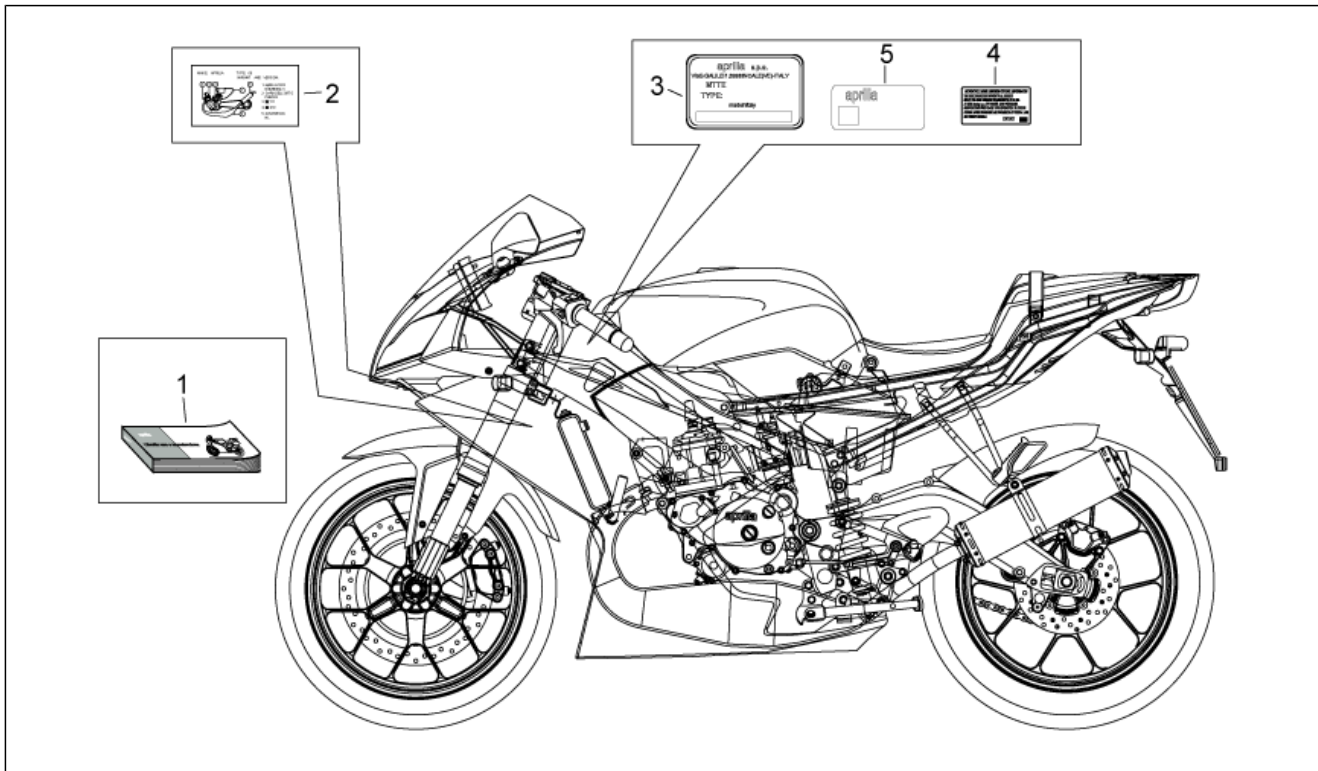
<b>Group</b>	FRAME
<b>Code</b>	28.37
<b>Description</b>	Lock hardware kit
<b>Service</b>	1



Pos.	Code	Description	Qty	Variants
1	AP8104916	Lock kit	1	
2	AP8140710	"Aprilia" key w/out transpo.	1	
3	AP8104708	Main switch - steering lock	1	
4	AP8104710	Fuel filler cap	1	
5	AP8104995	Saddle lock	1	
6	AP8134949	Wire	1	
7	AP8102913	Pass.saddle connecting plate	1	
8	AP8150050	Hex socket screw M5x16	3	
9	AP8150523	Hex socket screw M5x60	3	
10	AP8150349	Special screw M8x15	1	
11	AP8152278	Screw w/ flange M6x16	2	
12	AP8150220	Hex socket screw M6x30	2	
13	AP8150211	Hex socket screw M8x16	1	
14	AP8102950	Toolkit	1	
15	AP8150525	screw	1	
16	AP8221129	Bush	2	
17	AP8152299	Self-locking nut M6	2	
18	AP8150430	Low self-locking nut	2	



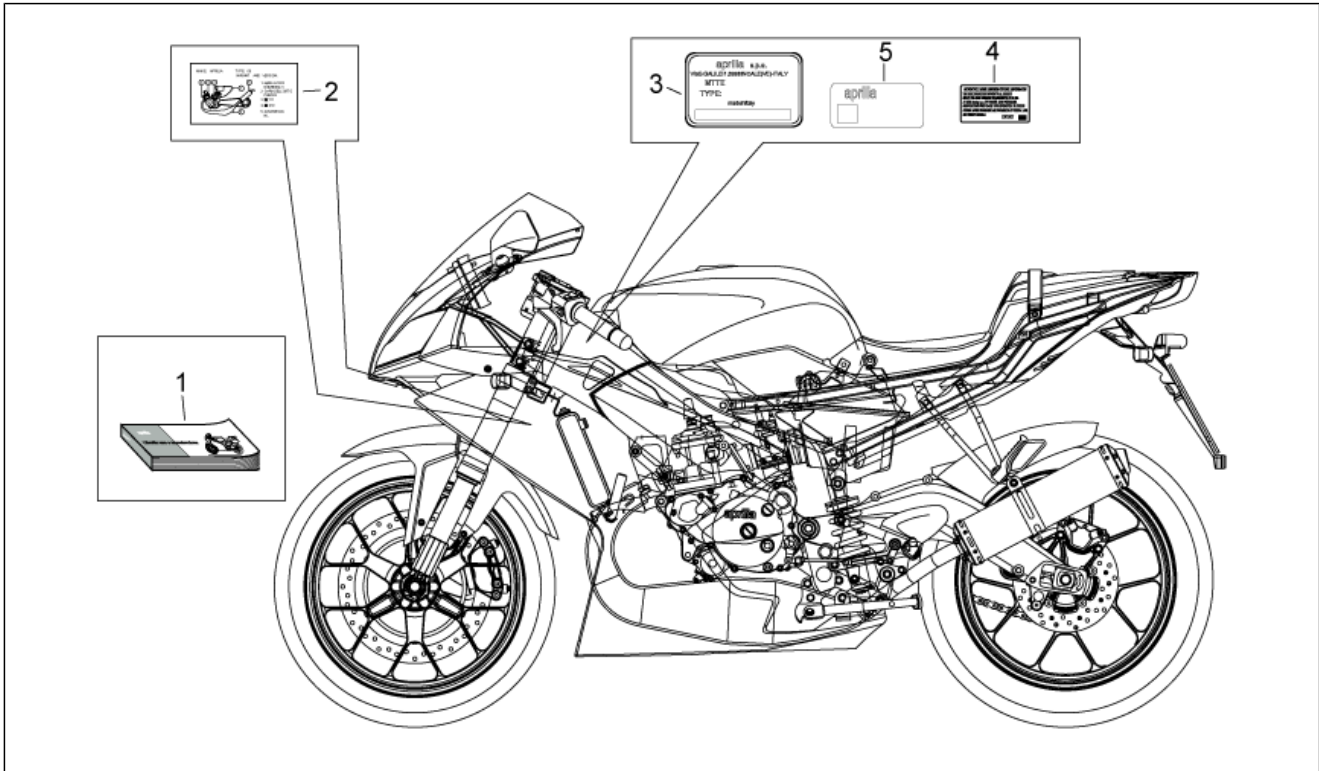
<b>Group</b>	FRAME
<b>Code</b>	28.38
<b>Description</b>	Plate set and handbook
<b>Service</b>	1



Pos.	Code	Description	Qty	Variants
1	854014	Operator's handbook -I-D-F-E	1	Year:2007[7], 2008[8], 2010[A] Technical Specifications:Euro 3[E3]
1	854015	Operator's handbook -UK-NL-GR-DK-SF-F	1	Year:2007[7], 2008[8] Technical Specifications:Euro 3[E3]
1	854089	Operator's handbook -USA-CN	1	Year:2008[8] Technical Specifications:Euro 3[E3]
1	AP8104917	Operator's handbook -I-	1	Year:2006[6] Technical Specifications:Euro 2[E2]
1	AP8104934	Operator's handbook -F-DE-UK	1	Year:2006[6] Technical Specifications:Euro 2[E2]
1	AP8104935	Operator's handbook -NL-DK-SF-GR-J	1	Year:2006[6] Technical Specifications:Euro 2[E2]
2	852143	Tamperproof dataplate	1	Year:2009[9], 2010[A] Vehicle colour:Replica SBK 2009 (s.t.895053)[sbk] Country:CH-DE-DK-EL[EU]
2	895896	Tamperproof dataplate	1	Year:2010[A] Vehicle colour:'Aprilia Black 2010[n.10], 'Glam White 2010 [w.glam] Country:Australia[AA], CH-DE-DK-EL[EU]
2	AP8166992	Tamperproof dataplate	1	Year:2006[6], 2007[7], 2008[8] Vehicle colour:Black Aprilia 2008 (s.t.860303)[a.blk], Aprilia Black 2006 (st.15195)[black], Spain's N.1 (S.T.852262) [spain7], Spain's number 1 (S.T.856884)[spain8], Talmacsi 2008 (st.860957)[tal], Aprilia White 2006 (st.15196)[white]
3	852142	Constructor dataplate	1	Year:2009[9], 2010[A] Vehicle colour:Replica SBK 2009 (s.t.895053)[sbk] Country:CH-DE-DK-EL[EU]
3	AP8166991	Constructor dataplate	1	Vehicle colour:Black Aprilia 2008 (s.t.860303)[a.blk], Aprilia Black 2006 (st.15195)[black], Spain's N.1 (S.T.852262) [spain7], Spain's number 1 (S.T.856884)[spain8], Talmacsi 2008 (st.860957)[tal], Aprilia White 2006 (st.15196)[white] Country:CH-DE-DK-EL[EU]
3	AP8187014	Constructor dataplate	1	Country:Australia[AA]

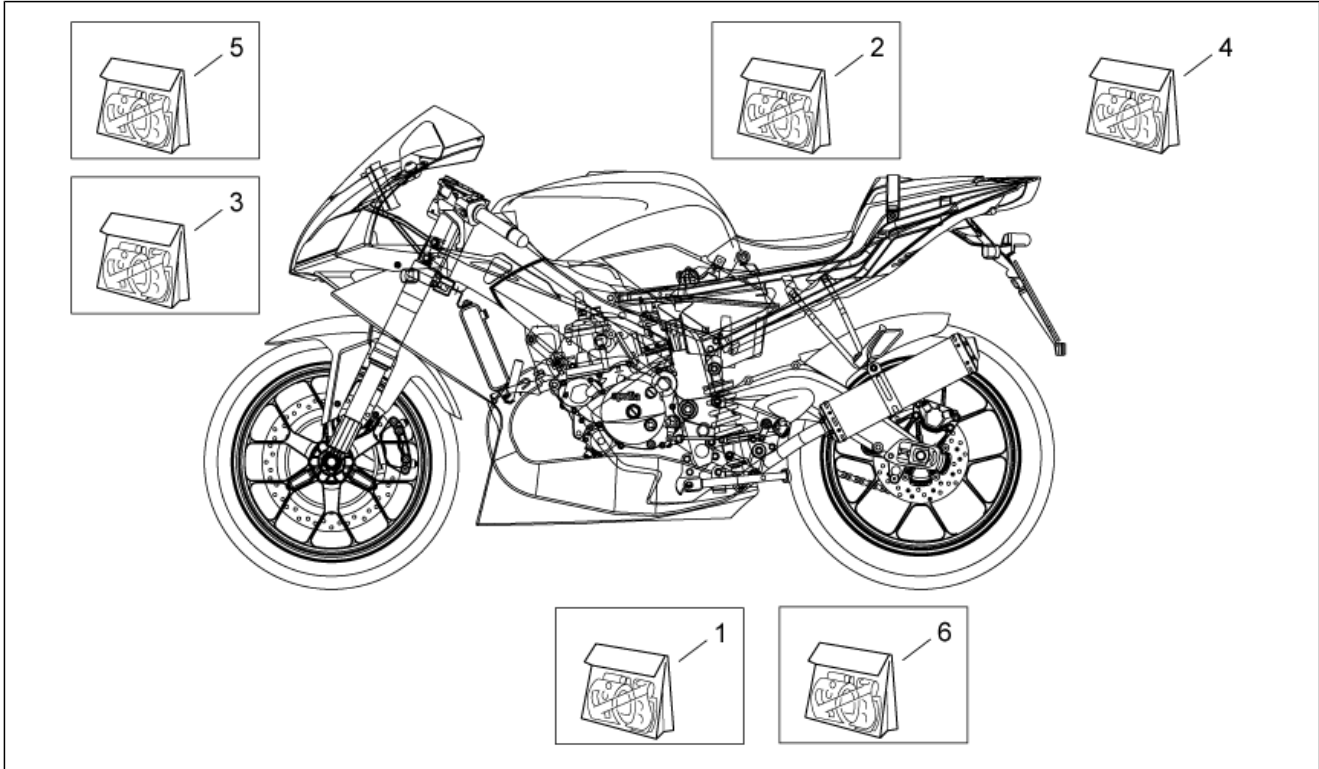


<b>Group</b>	FRAME
<b>Code</b>	28.38
<b>Description</b>	Plate set and handbook
<b>Service</b>	1



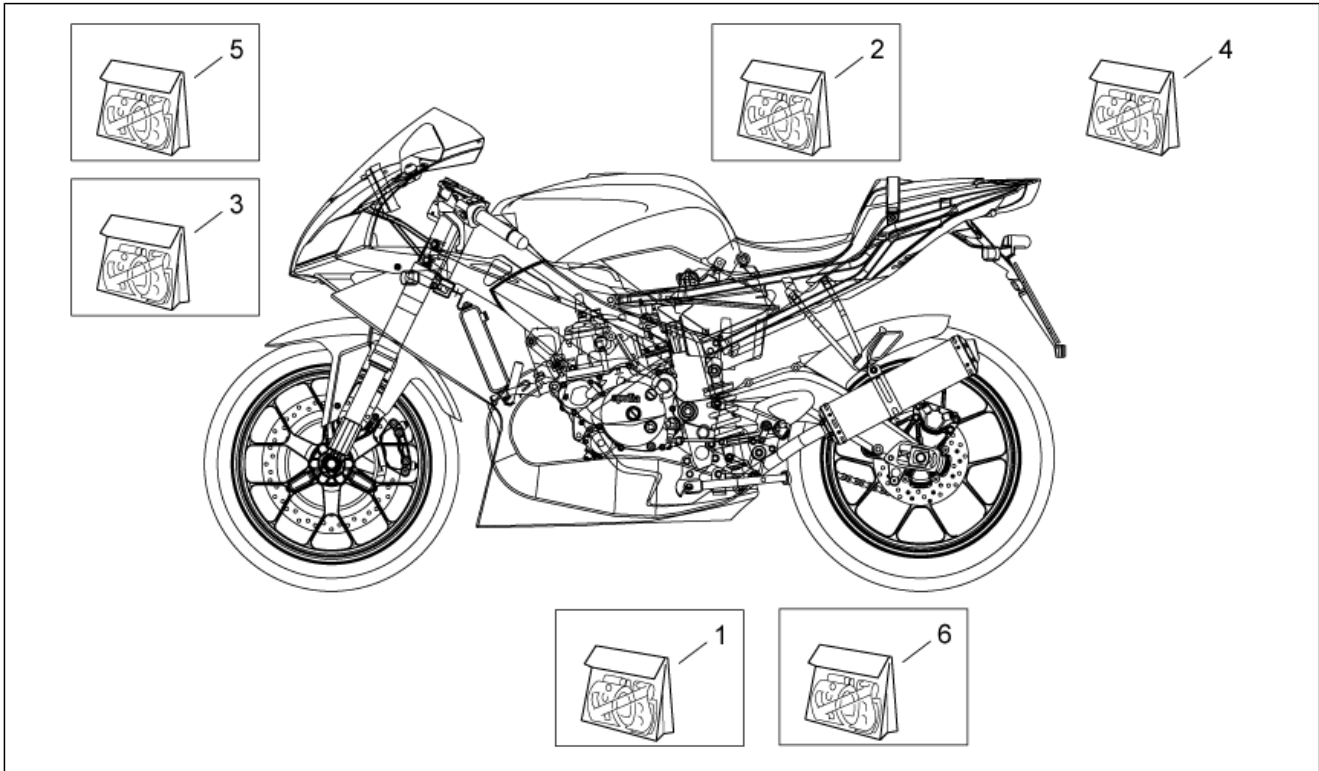
Pos.	Code	Description	Qty	Variants
4	AP8187015	Noise emission sticker	1	Country:Australia[AA], CH-DE-DK-EL[EU]
5	AP8166988	ECE dataplate	1	Country:Australia[AA], CH-DE-DK-EL[EU]

<b>Group</b>	FRAME
<b>Code</b>	28.39
<b>Description</b>	Decal
<b>Service</b>	1



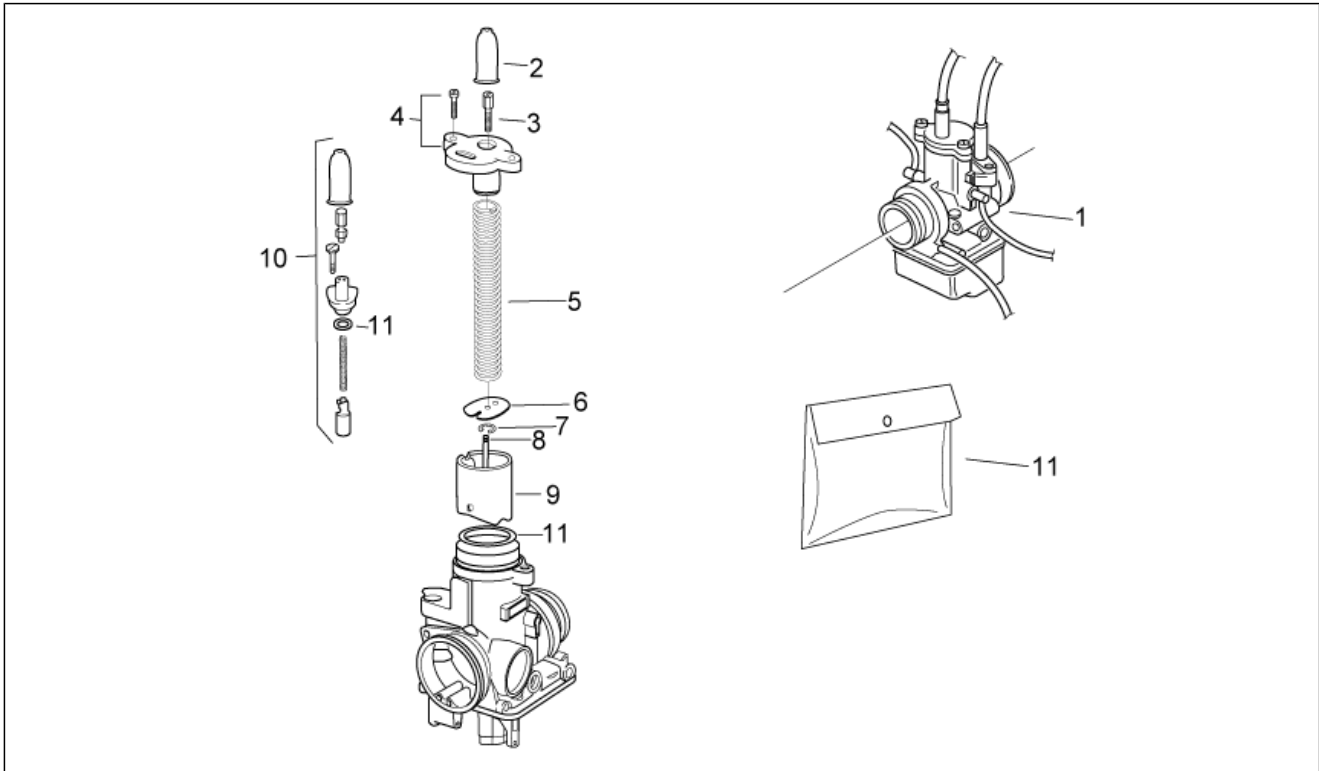
Pos.	Code	Description	Qty	Variants
1	AP8187001	Fairing decal set	1	Year:2006[6] Vehicle colour:Aprilia White 2006 (st.15196)[white]
1	AP8187002	Fairing decal set	1	Year:2006[6] Vehicle colour:Aprilia Black 2006 (st.15195)[black]
2	AP8187003	Tank decal set	1	Year:2006[6] Vehicle colour:Aprilia White 2006 (st.15196)[white]
2	AP8187004	Tank decal set	1	Year:2006[6] Vehicle colour:Aprilia Black 2006 (st.15195)[black]
3	AP8187005	Front fairing decal set	1	Year:2006[6] Vehicle colour:Aprilia White 2006 (st.15196)[white]
3	AP8187006	Front fairing decal set	1	Year:2006[6] Vehicle colour:Aprilia Black 2006 (st.15195)[black]
4	AP8187007	Rear fairing decal set	1	Year:2006[6]
5	AP8166478	Technical decal set	1	
6	852352	Decal set	1	Year:2007[7] Vehicle colour:Spain's N.1 (S.T.852262)[spain7]
6	853979	Decal "competition"	1	Year:2008[8] Country:United States of America[USA] Technical Specifications:Racing Version[rac]
6	856494	Decal set	1	Year:2008[8] Vehicle colour:Spain's number 1 (S.T.856884)[spain8]
6	856494	Decal set	1	Year:2008[8] Vehicle colour:Spain's number 1 (S.T.856884)[spain8] Country:Australia[AA], CH-DE-DK-EL[EU]
6	856494	Decal set	1	Year:2008[8] Vehicle colour:Spain's number 1 (S.T.856884)[spain8] Country:United States of America[USA] Technical Specifications:Racing Version[rac]
6	858633	Decal set	1	Year:2008[8], 2009[9] Vehicle colour:Fluo Red 2008 (s.t.858632)[red]
6	860304	Decal set	1	Year:2008[8], 2009[9] Vehicle colour:Black Aprilia 2008 (s.t.860303)[a.blk]

<b>Group</b>	FRAME
<b>Code</b>	28.39
<b>Description</b>	Decal
<b>Service</b>	1



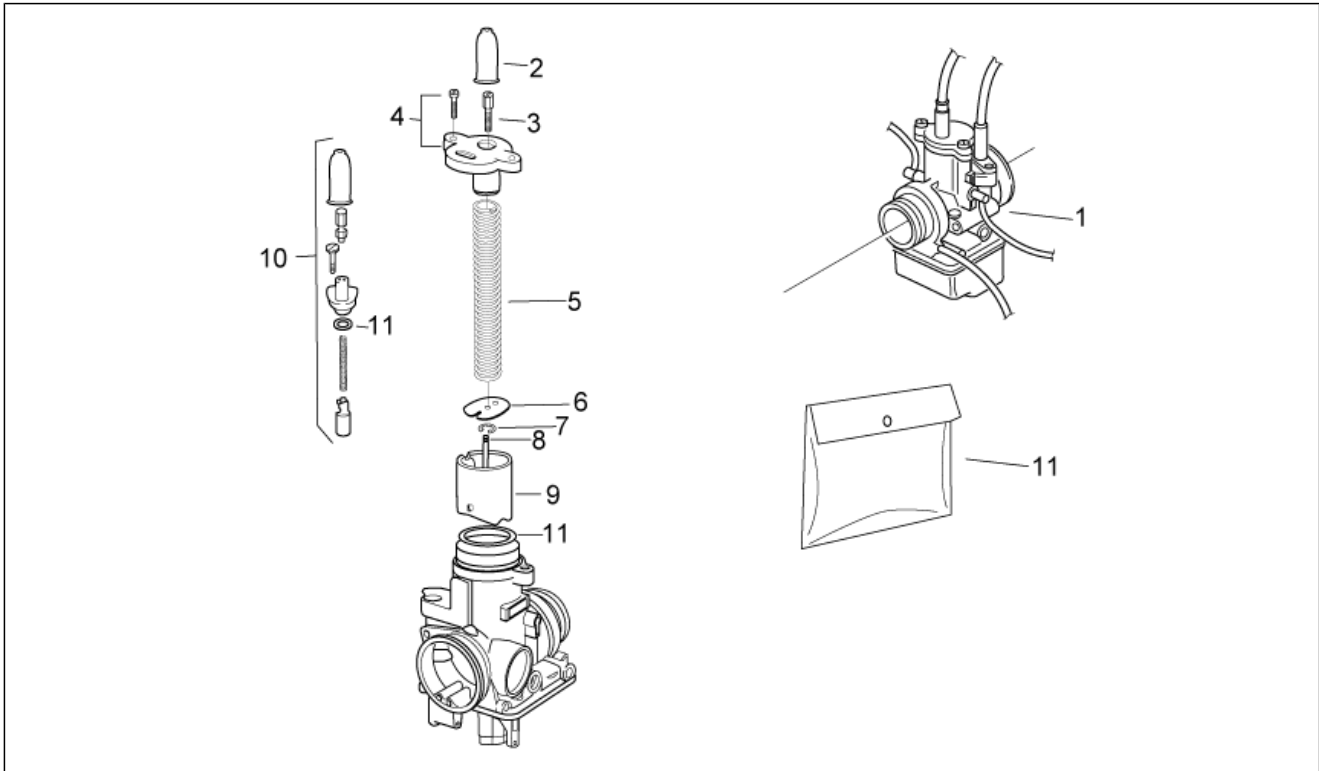
Pos.	Code	Description	Qty	Variants
6	860957	Decal set	1	<b>Year:</b> 2008[8] <b>Vehicle colour:</b> Talmacsi 2008 (s.t.860957)[tal]
6	895054	Decal set	1	<b>Year:</b> 2009[9], 2010[A] <b>Vehicle colour:</b> Replica SBK 2009 (s.t.895053)[sbk] <b>Country:</b> CH-DE-DK-EL[EU]
6	896825	Decal set	1	<b>Year:</b> 2010[A] <b>Vehicle colour:</b> 'Aprilia Black 2010[n.10]
6	896826	Decal set	1	<b>Year:</b> 2010[A] <b>Vehicle colour:</b> 'Glam White 2010 [w.glam]
6	897899	Decal set	1	<b>Year:</b> 2010[A] <b>Vehicle colour:</b> Alitalia Replica 2010 (s.t.897896)[r.ali]
6	AP8157098	Decal Competition Only	1	<b>Year:</b> 2008[8] <b>Country:</b> United States of America[USA] <b>Technical Specifications:</b> Racing Version[rac]

<b>Group</b>	ENGINE
<b>Code</b>	29.22
<b>Description</b>	Carburettor I
<b>Service</b>	1



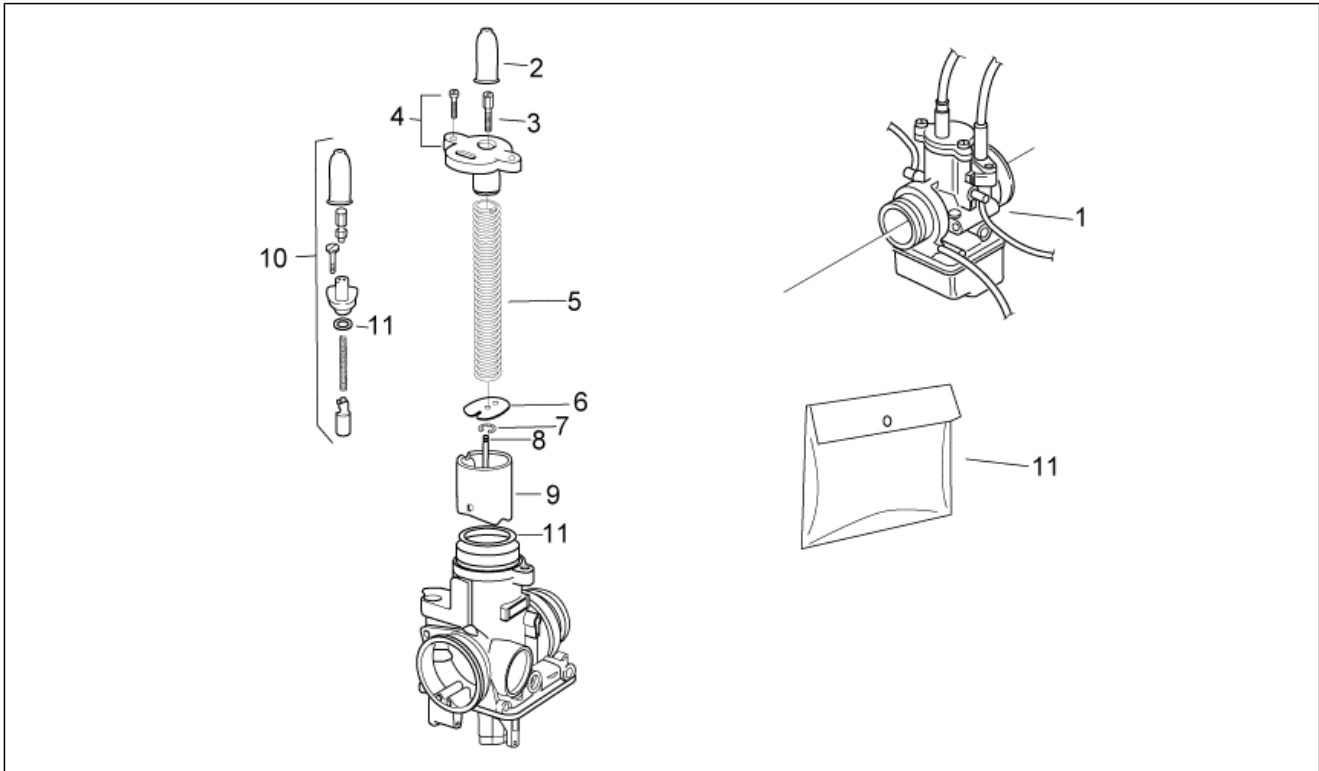
Pos.	Code	Description	Qty	Variants
1	854532	Carburettor phbh 28-bd	1	Year:2006[6] Country:Australia[AA], CH-DE-DK-EL[EU] Technical Specifications:Trofeo racing version[GP]
1	AP8176198	Carburettor phbh 28 bd	1	Year:2006[6] Country:Australia[AA], CH-DE-DK-EL[EU] Technical Specifications:11KW version[11kw]
1	AP8176207	Carburettor phbh 28 bd	1	Year:2009[9] Country:Australia[AA], Indonesia-Malaysia-New Zealand-Singapore[AP] Technical Specifications:Full Power Version[f.p.]
1	AP8176207	Carburettor phbh 28 bd	1	Year:2006[6] Country:Australia[AA], CH-DE-DK-EL[EU] Technical Specifications:Full Power Version[f.p.]
2	813174	Cap	1	Year:2009[9] Country:Australia[AA], Indonesia-Malaysia-New Zealand-Singapore[AP]
2	813174	Cap	1	Year:2006[6] Country:Australia[AA], CH-DE-DK-EL[EU]
3	AP8222631	Wire tensioner screw	1	Year:2006[6] Country:Australia[AA], CH-DE-DK-EL[EU]
3	AP8222631	Wire tensioner screw	1	Year:2009[9] Country:Australia[AA], Indonesia-Malaysia-New Zealand-Singapore[AP]
4	AP8106783	Mixture chamber cover kit	1	Year:2009[9] Country:Australia[AA], Indonesia-Malaysia-New Zealand-Singapore[AP]
4	AP8106783	Mixture chamber cover kit	1	Year:2006[6] Country:Australia[AA], CH-DE-DK-EL[EU]
5	AP8106785	Gas valve return spring	1	Year:2006[6] Country:Australia[AA], CH-DE-DK-EL[EU]
5	AP8106785	Gas valve return spring	1	Year:2009[9] Country:Australia[AA], Indonesia-Malaysia-New Zealand-Singapore[AP]

<b>Group</b>	ENGINE
<b>Code</b>	29.22
<b>Description</b>	Carburettor I
<b>Service</b>	1



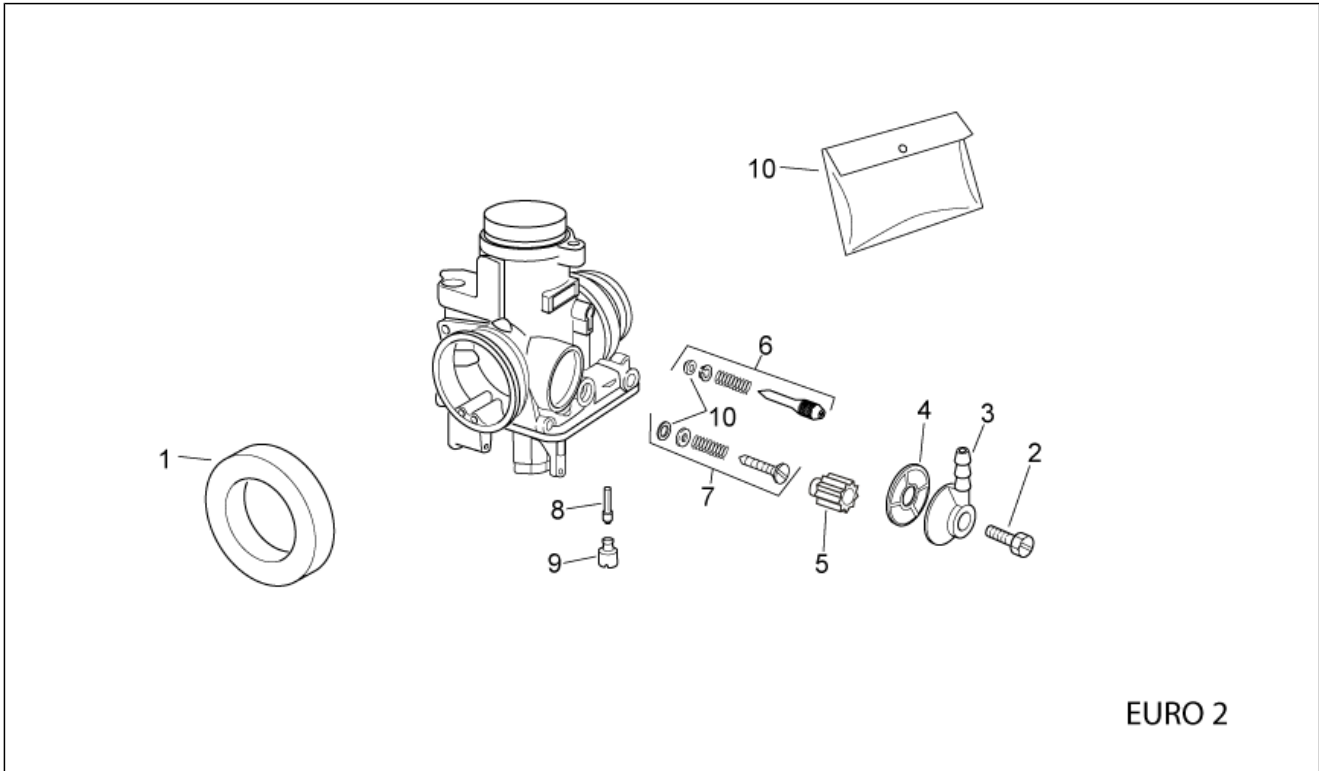
Pos.	Code	Description	Qty	Variants
6	AP8106786	Check pin clip plate	1	Year:2009[9] Country:Australia[AA], Indonesia-Malaysia-New Zealand-Singapore[AP]
6	AP8106786	Check pin clip plate	1	Year:2006[6] Country:Australia[AA], CH-DE-DK-EL[EU]
7	AP8222674	Conical pin clip	1	Year:2009[9] Country:Australia[AA], Indonesia-Malaysia-New Zealand-Singapore[AP]
7	AP8222674	Conical pin clip	1	Year:2006[6] Country:Australia[AA], CH-DE-DK-EL[EU]
8	AP8106779	Conical pin X25/3a	1	Year:2006[6] Country:Australia[AA], CH-DE-DK-EL[EU]
8	AP8106779	Conical pin X25/3a	1	Year:2009[9] Country:Australia[AA], Indonesia-Malaysia-New Zealand-Singapore[AP]
8	AP8176043	Conical pin X2/2"	1	Year:2009[9] Country:Australia[AA], Indonesia-Malaysia-New Zealand-Singapore[AP]
8	AP8176043	Conical pin X2/2"	1	Year:2006[6] Country:Australia[AA], CH-DE-DK-EL[EU]
9	AP8106697	Gas valve 40	1	Year:2006[6] Country:Australia[AA], CH-DE-DK-EL[EU]
9	AP8106697	Gas valve 40	1	Year:2009[9] Country:Australia[AA], Indonesia-Malaysia-New Zealand-Singapore[AP]
9	AP8106778	Gas valve 50	1	Year:2006[6] Country:Australia[AA], CH-DE-DK-EL[EU]
10	AP8106784	Starter device	1	Year:2006[6] Country:Australia[AA], CH-DE-DK-EL[EU]
10	AP8106784	Starter device	1	Year:2009[9] Country:Australia[AA], Indonesia-Malaysia-New Zealand-Singapore[AP], CH-DE-DK-EL[EU], Greece[GR]
11	AP8106796	Gasket envelope	1	Year:2009[9]

<b>Group</b>	ENGINE
<b>Code</b>	29.22
<b>Description</b>	Carburettor I
<b>Service</b>	1



Pos.	Code	Description	Qty	Variants
				Country:Australia[AA], Indonesia-Malaysia-New Zealand-Singapore[AP]
11	AP8106796	Gasket envelope	1	Year:2006[6] Country:Australia[AA], CH-DE-DK-EL[EU]

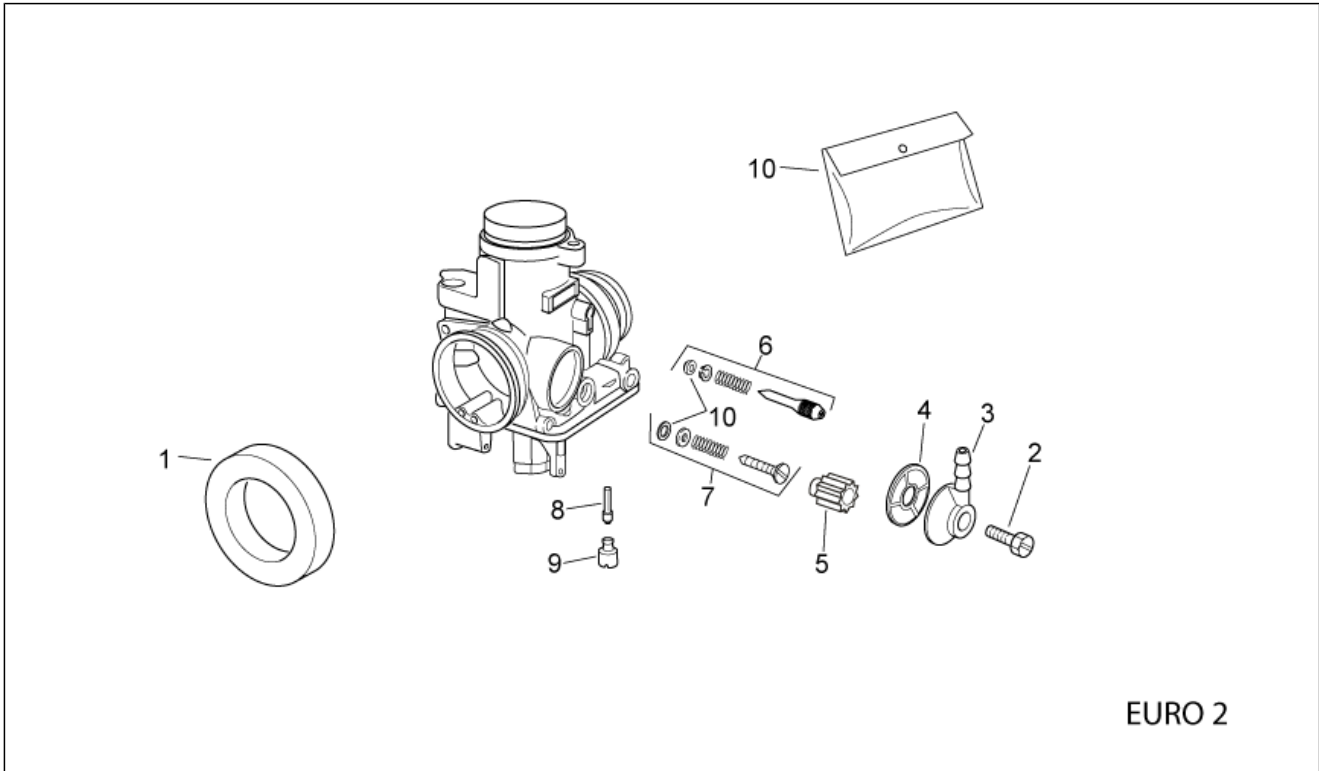
<b>Group</b>	ENGINE
<b>Code</b>	29.23
<b>Description</b>	Carburettor II
<b>Service</b>	1



Pos.	Code	Description	Qty	Variants
1	AP8106790	Air intake union	1	Year:2006[6] Country:Australia[AA], CH-DE-DK-EL[EU]
1	AP8106790	Air intake union	1	Year:2009[9] Country:Australia[AA], Indonesia-Malaysia-New Zealand-Singapore[AP]
2	AP8106795	Cap fixing screw	1	Year:2006[6] Country:Australia[AA], CH-DE-DK-EL[EU]
2	AP8106795	Cap fixing screw	1	Year:2009[9] Country:Australia[AA], Indonesia-Malaysia-New Zealand-Singapore[AP]
3	AP8106794	Fuel pipe union cap	1	Year:2009[9] Country:Australia[AA], Indonesia-Malaysia-New Zealand-Singapore[AP]
3	AP8106794	Fuel pipe union cap	1	Year:2006[6] Country:Australia[AA], CH-DE-DK-EL[EU]
4	099315	Fuel filter	1	Year:2006[6] Country:Australia[AA], CH-DE-DK-EL[EU]
4	099315	Fuel filter	1	Year:2009[9] Country:Australia[AA], Indonesia-Malaysia-New Zealand-Singapore[AP]
5	288878	Knob	1	Year:2006[6] Country:Australia[AA], CH-DE-DK-EL[EU]
5	288878	Knob	1	Year:2009[9] Country:Australia[AA], Indonesia-Malaysia-New Zealand-Singapore[AP]
6	AP8106787	Mix min.eng.spd adj.screw kit	1	Year:2009[9] Country:Australia[AA], Indonesia-Malaysia-New Zealand-Singapore[AP]
6	AP8106787	Mix min.eng.spd adj.screw kit	1	Year:2006[6] Country:Australia[AA], CH-DE-DK-EL[EU]
7	AP8106788	Gas valve adj.screw kit	1	Year:2009[9] Country:Australia[AA], Indonesia-Malaysia-New Zealand-Singapore[AP]

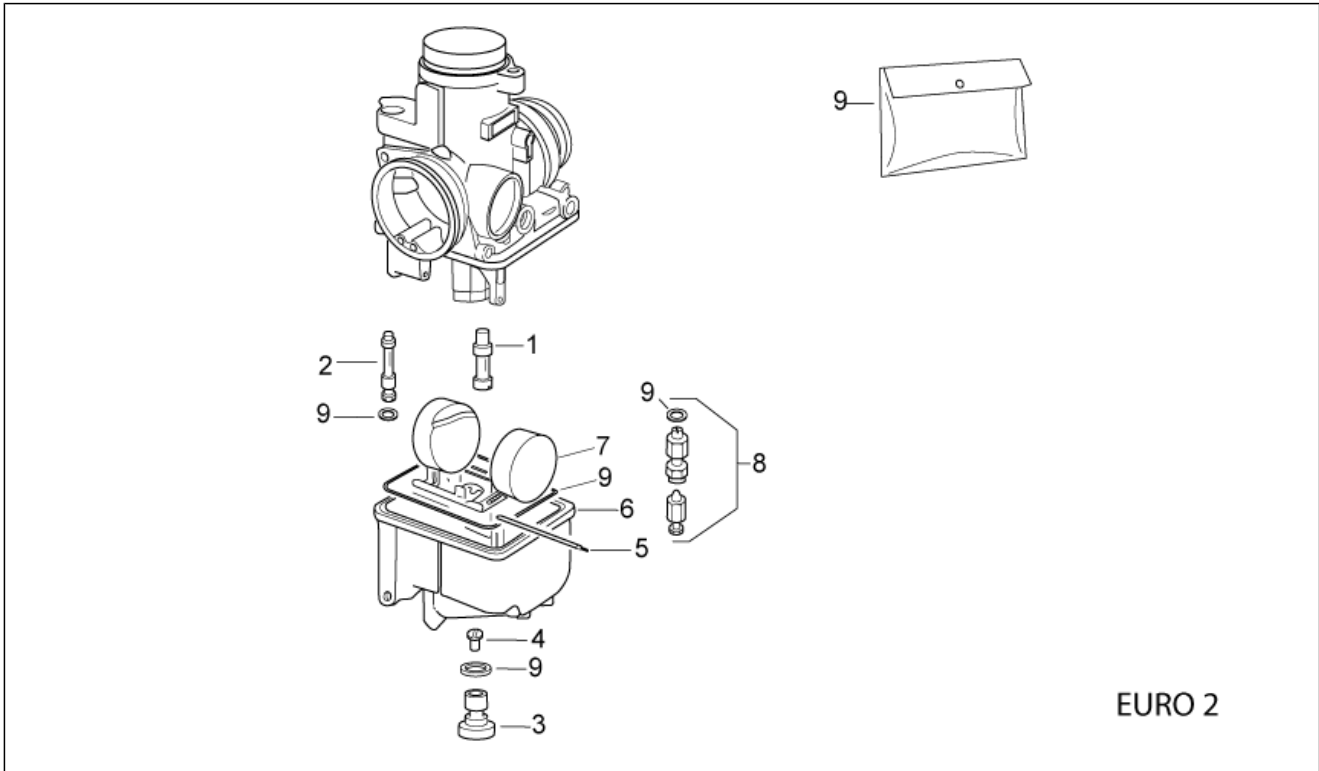


<b>Group</b>	ENGINE
<b>Code</b>	29.23
<b>Description</b>	Carburettor II
<b>Service</b>	1



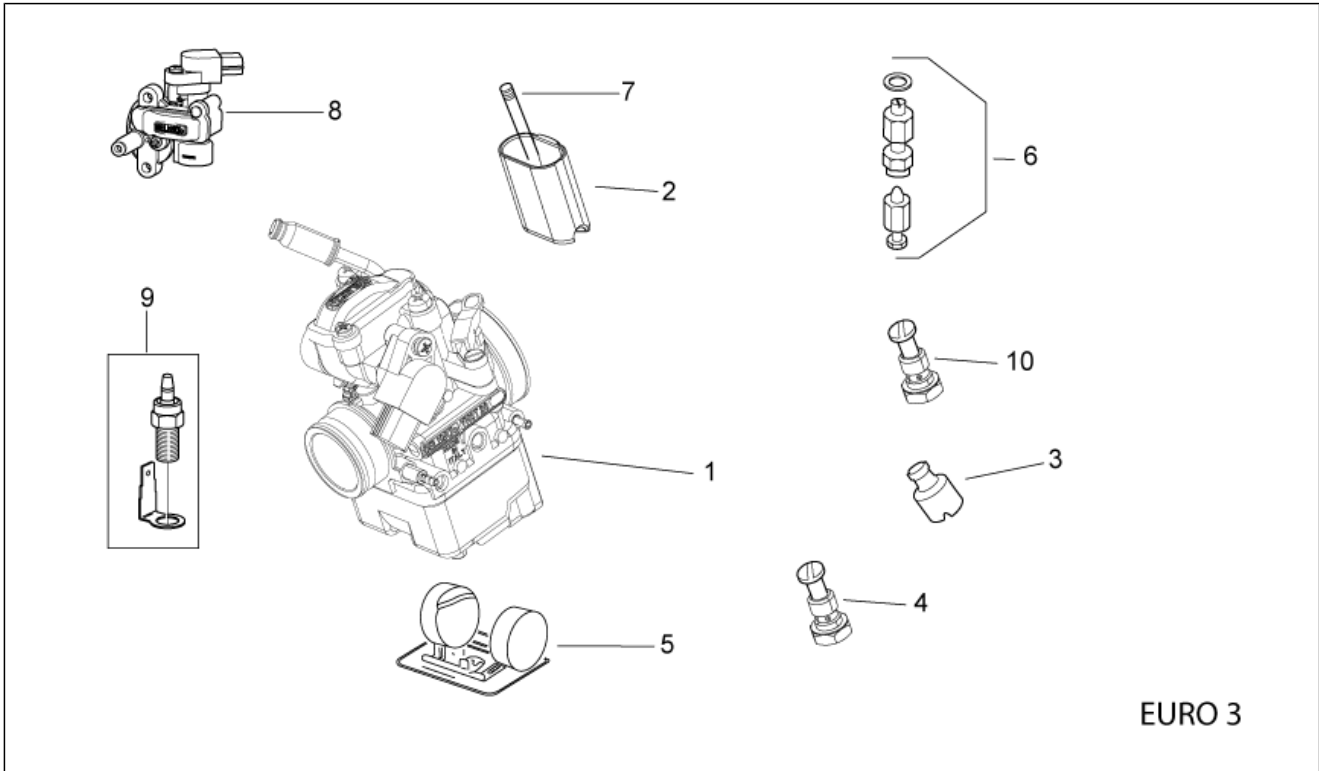
Pos.	Code	Description	Qty	Variants
7	AP8106788	Gas valve adj.screw kit	1	Year:2006[6] Country:Australia[AA], CH-DE-DK-EL[EU]
8	AP8106723	Idle emulsion jet 62	1	Year:2006[6] Country:Australia[AA], CH-DE-DK-EL[EU]
8	AP8106723	Idle emulsion jet 62	1	Year:2009[9] Country:Australia[AA], Indonesia-Malaysia-New Zealand-Singapore[AP]
9	AP8106722	Idle jet 62	1	Year:2009[9] Country:Australia[AA], Indonesia-Malaysia-New Zealand-Singapore[AP]
9	AP8106722	Idle jet 62	1	Year:2006[6] Country:Australia[AA], CH-DE-DK-EL[EU]
9	AP8106729	Idle jet 65	1	Year:2006[6] Country:Australia[AA], CH-DE-DK-EL[EU]
9	AP8106729	Idle jet 65	1	Year:2009[9] Country:Australia[AA], Indonesia-Malaysia-New Zealand-Singapore[AP]
10	AP8106796	Gasket envelope	1	Year:2009[9] Country:Australia[AA], Indonesia-Malaysia-New Zealand-Singapore[AP]
10	AP8106796	Gasket envelope	1	Year:2006[6] Country:Australia[AA], CH-DE-DK-EL[EU]

<b>Group</b>	ENGINE
<b>Code</b>	29.24
<b>Description</b>	Carburettor III
<b>Service</b>	1



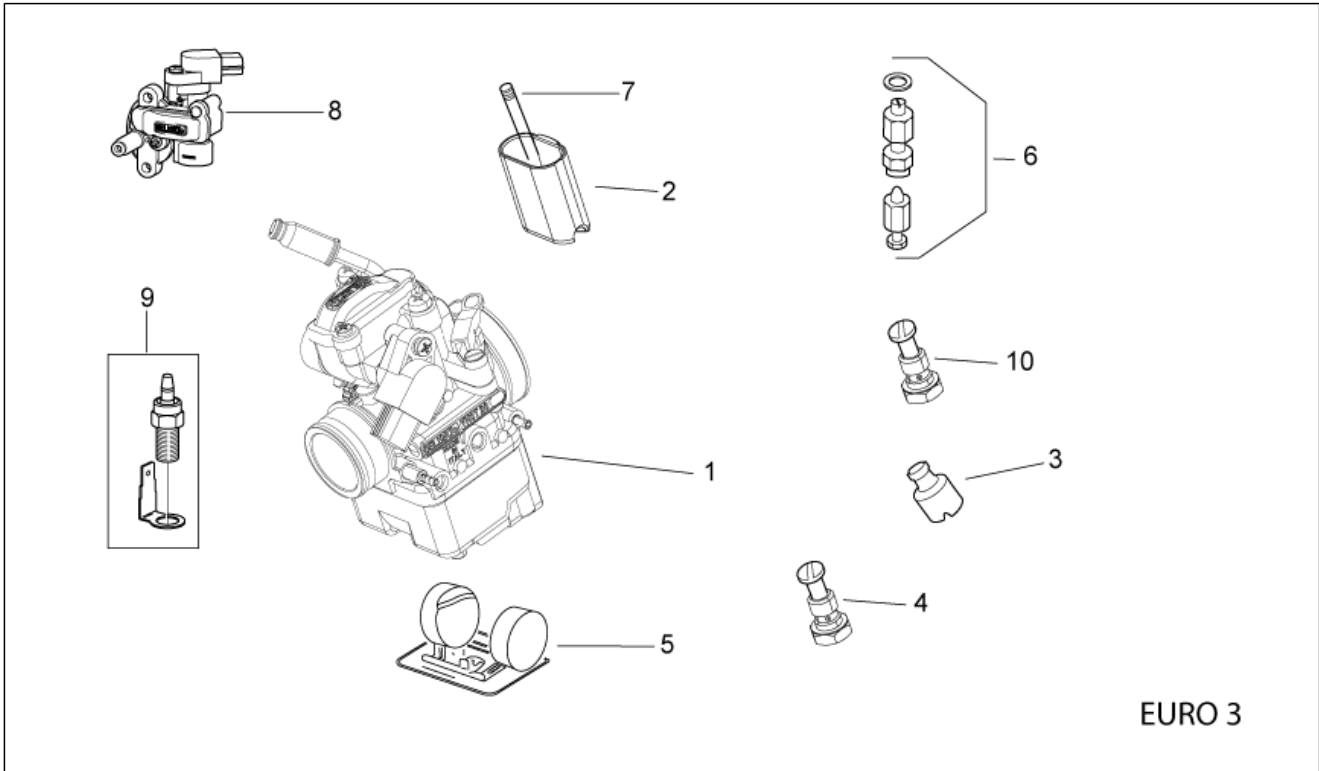
Pos.	Code	Description	Qty	Variants
1	AP8106696	Needle valve BN 264	1	Year:2006[6] Country:Australia[AA], CH-DE-DK-EL[EU]
1	AP8106724	Needle valve BN 266	1	Year:2006[6] Country:Australia[AA], CH-DE-DK-EL[EU]
2	AP8106780	Starter jet 70	1	Year:2006[6] Country:Australia[AA], CH-DE-DK-EL[EU]
3	AP8106793	Float chamber fix.plug	1	Year:2006[6] Country:Australia[AA], CH-DE-DK-EL[EU]
4	AP8106728	Main jet 115	1	Year:2006[6] Country:Australia[AA], CH-DE-DK-EL[EU]
4	AP8176132	Main jet 128	1	Year:2006[6] Country:Australia[AA], CH-DE-DK-EL[EU]
5	AP8106792	Float pin	1	Year:2006[6] Country:Australia[AA], CH-DE-DK-EL[EU]
6	AP8106791	Float chamber	1	Year:2006[6] Country:Australia[AA], CH-DE-DK-EL[EU]
7	AP8106782	Float gr.9,5	1	Year:2006[6] Country:Australia[AA], CH-DE-DK-EL[EU]
8	318604	Needle valve 250	1	Year:2006[6] Country:Australia[AA], CH-DE-DK-EL[EU]
9	AP8106796	Gasket envelope	1	Year:2006[6] Country:Australia[AA], CH-DE-DK-EL[EU]

<b>Group</b>	ENGINE
<b>Code</b>	29.25
<b>Description</b>	Carburettor IIII
<b>Service</b>	1



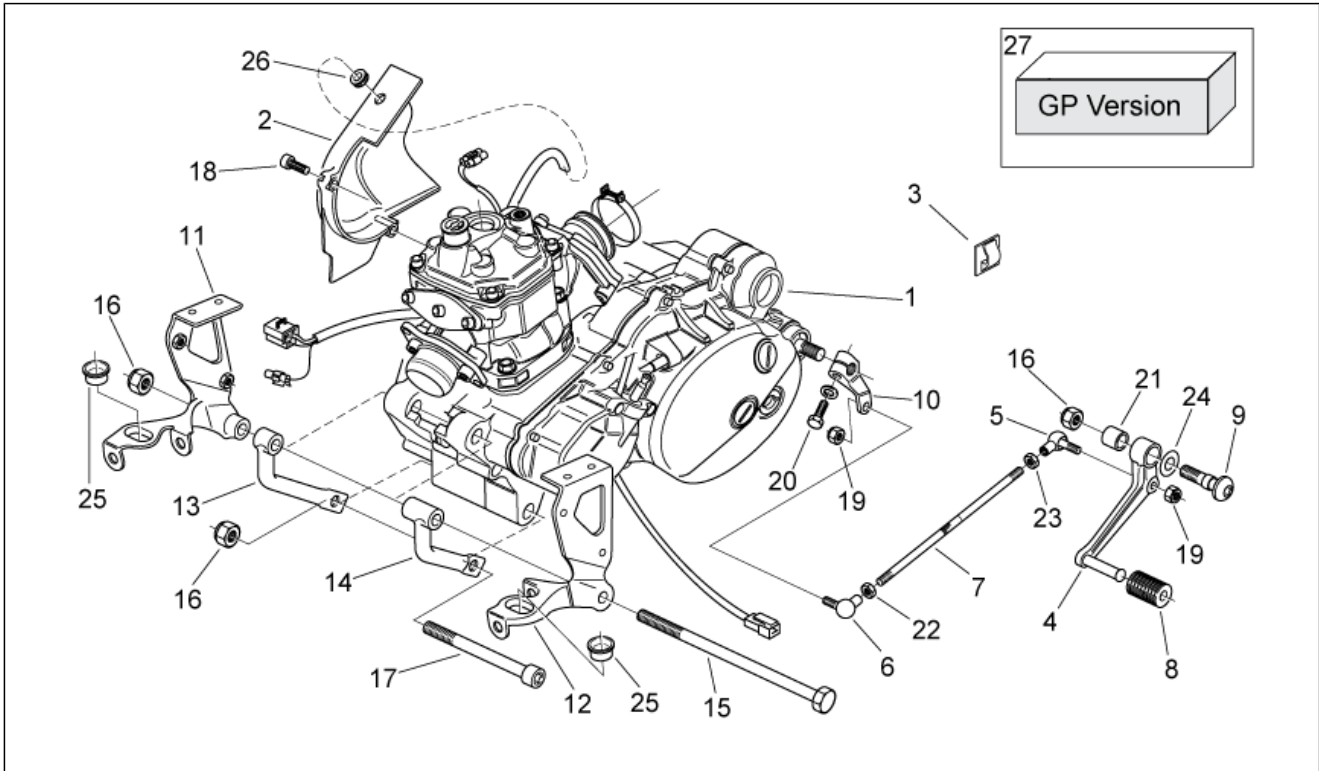
Pos.	Code	Description	Qty	Variants
1	852144	Carburettor vhst 28 cd	1	Year:2007[7] Country:Australia[AA], CH-DE-DK-EL[EU] Technical Specifications:11KW version[11kw]
1	858204	Carburettor vhst 28 cd	1	Year:2008[8] Country:Australia[AA], CH-DE-DK-EL[EU] Technical Specifications:Full Power Version[f.p.]
1	890792	Carburettor vhst 28 cd	1	Year:2008[8] Country:United States of America[USA] Technical Specifications:Racing Version[rac]
1	895897	Carburettor phbh 28 bd	1	Year:2010[A] Country:Australia[AA], CH-DE-DK-EL[EU] Technical Specifications:11KW version[11kw]
2	854540	Gas valve 45	1	
3	854541	Idle jet 36	1	Year:2010[A] Country:Australia[AA], CH-DE-DK-EL[EU] Technical Specifications:11KW version[11kw]
3	854541	Idle jet 36	1	Year:2007[7], 2008[8] Country:Australia[AA], CH-DE-DK-EL[EU] Technical Specifications:11KW version[11kw], Full Power Version[f.p.]
3	856103	Idle jet 45	1	Year:2008[8] Country:United States of America[USA] Technical Specifications:Racing Version[rac]
4	860741	Main jet 170	1	Year:2008[8] Country:Australia[AA], CH-DE-DK-EL[EU] Technical Specifications:Full Power Version[f.p.]
4	893081	Main jet 175	1	Year:2008[8] Country:United States of America[USA] Technical Specifications:Racing Version[rac]
4	AP8176042	Main jet 132	1	Year:2007[7], 2008[8] Country:Australia[AA], CH-DE-DK-EL[EU] Technical Specifications:11KW version[11kw]
4	AP8176132	Main jet 128	1	Year:2010[A] Country:Australia[AA], CH-DE-DK-EL[EU]

<b>Group</b>	ENGINE
<b>Code</b>	29.25
<b>Description</b>	Carburettor IIII
<b>Service</b>	1



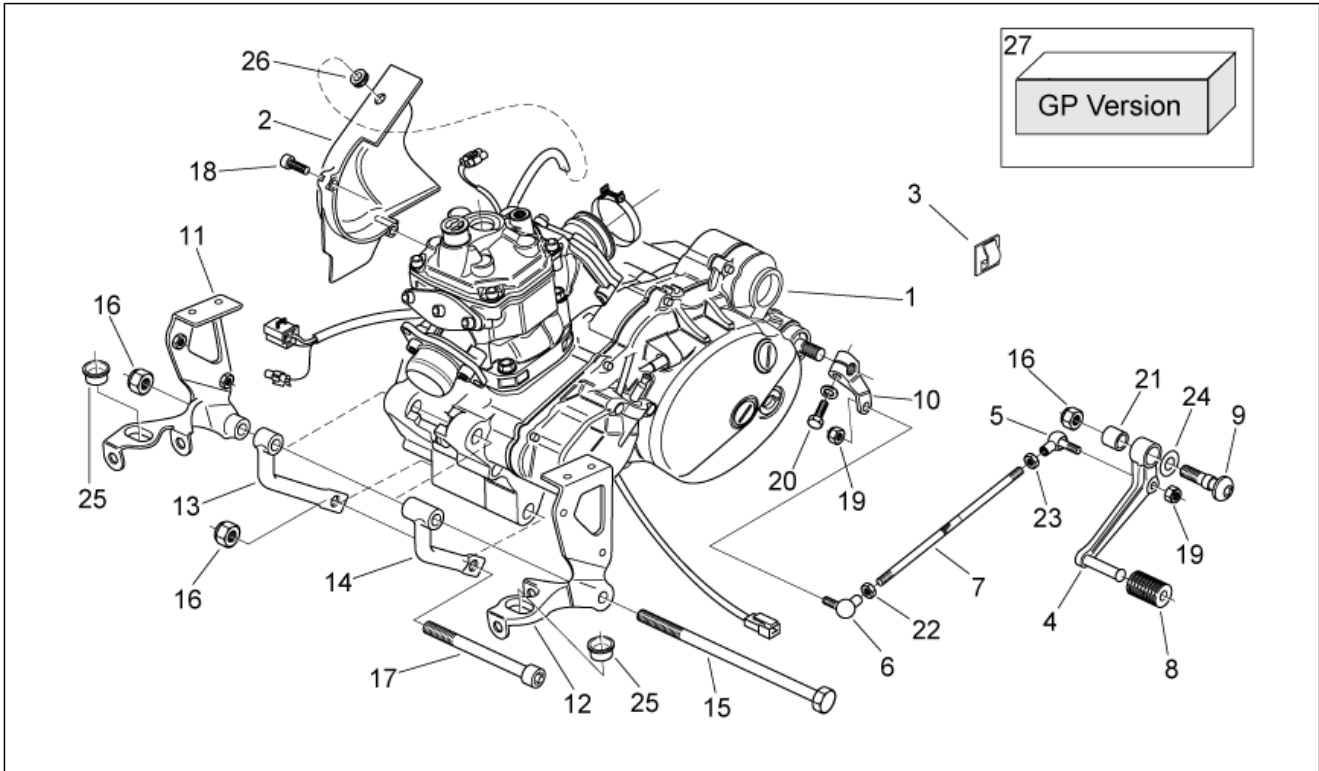
Pos.	Code	Description	Qty	Variants
				<b>Technical Specifications:</b> 11KW version[11kw]
5	854543	Float gr.6,5	1	<b>Year:</b> 2007[7], 2008[8] <b>Country:</b> Australia[AA], CH-DE-DK-EL[EU] <b>Technical Specifications:</b> 11KW version[11kw], Full Power Version[f.p.]
5	854543	Float gr.6,5	1	<b>Year:</b> 2010[A] <b>Country:</b> Australia[AA], CH-DE-DK-EL[EU] <b>Technical Specifications:</b> 11KW version[11kw]
5	854543	Float gr.6,5	1	<b>Year:</b> 2008[8] <b>Country:</b> United States of America[USA] <b>Technical Specifications:</b> Racing Version[rac]
6	854544	Needle valve 300	1	<b>Year:</b> 2007[7], 2008[8] <b>Country:</b> Australia[AA], CH-DE-DK-EL[EU] <b>Technical Specifications:</b> 11KW version[11kw], Full Power Version[f.p.]
6	854544	Needle valve 300	1	<b>Year:</b> 2010[A] <b>Country:</b> Australia[AA], CH-DE-DK-EL[EU] <b>Technical Specifications:</b> 11KW version[11kw]
6	854544	Needle valve 300	1	<b>Year:</b> 2008[8] <b>Country:</b> United States of America[USA] <b>Technical Specifications:</b> Racing Version[rac]
7	854549	Conical pin D49/4a	1	<b>Year:</b> 2007[7], 2008[8] <b>Country:</b> Australia[AA], CH-DE-DK-EL[EU] <b>Technical Specifications:</b> 11KW version[11kw]
7	856102	Conical pin D53/2a	1	<b>Year:</b> 2008[8] <b>Technical Specifications:</b> Full Power Version[f.p.], Racing Version[rac]
7	890288	Conical pin D53/4a	1	<b>Year:</b> 2010[A] <b>Country:</b> Australia[AA], CH-DE-DK-EL[EU] <b>Technical Specifications:</b> 11KW version[11kw]
8	890510	Gas valve pos.sensor	1	
9	893766	Heater	1	
10	893925	Starter jet D90	1	

<b>Group</b>	ENGINE
<b>Code</b>	29.26
<b>Description</b>	Engine
<b>Service</b>	1



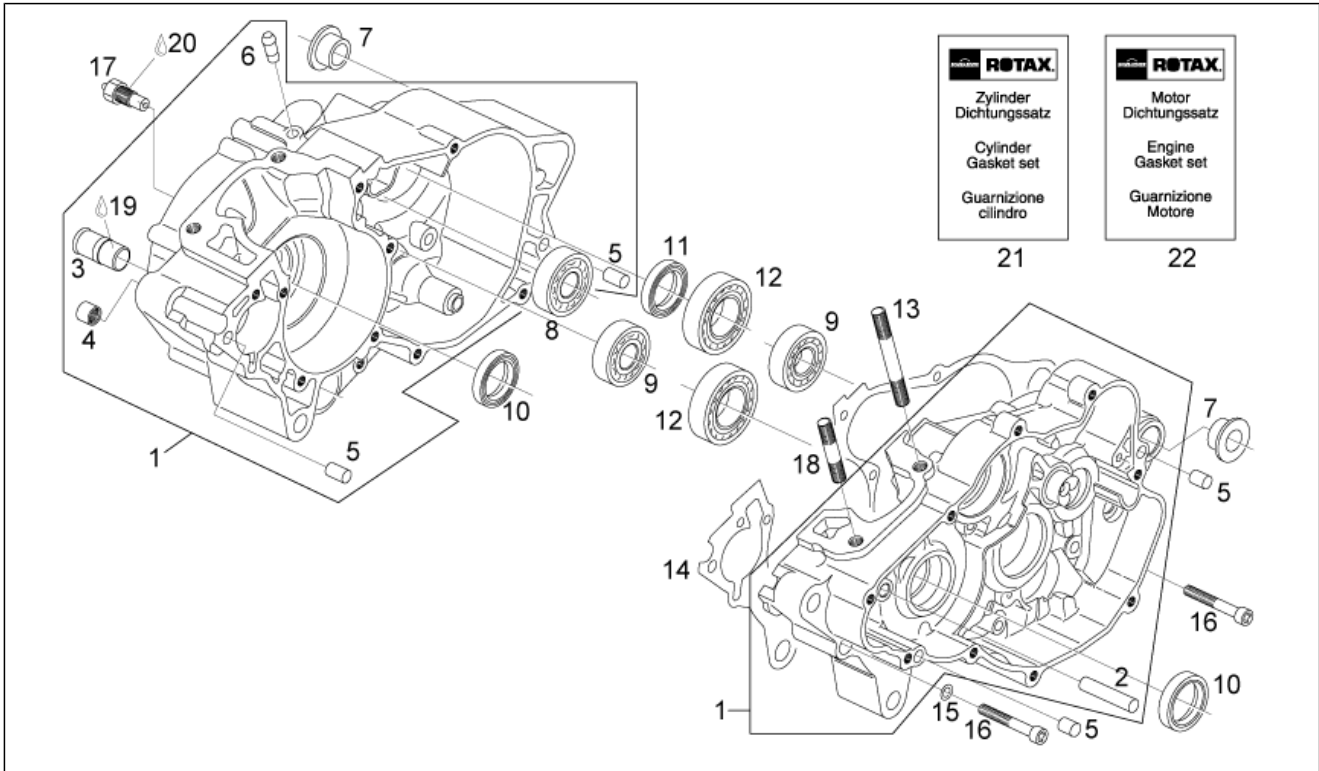
Pos.	Code	Description	Qty	Variants
1	852154	Engine 122 11KW	1	Year:2007[7] Country:Australia[AA], CH-DE-DK-EL[EU] Technical Specifications:11KW version[11kw], Euro 3[E3]
1	852154	Engine 122 11KW	1	Year:2010[A] Country:Australia[AA], CH-DE-DK-EL[EU] Technical Specifications:11KW version[11kw], Euro 3[E3]
1	858206	Engine 122 Euro3 FP	1	Year:2008[8] Technical Specifications:Euro 3[E3], Full Power Version[f.p.], Racing Version[rac]
1	AP8106950	Engine 122	1	Year:2009[9] Country:Australia[AA], Indonesia-Malaysia-New Zealand-Singapore[AP] Technical Specifications:Euro 2[E2], Full Power Version[f.p.], Trofeo racing version[GP]
1	AP8106950	Engine 122	1	Year:2006[6] Country:Australia[AA], CH-DE-DK-EL[EU] Technical Specifications:Euro 2[E2], Full Power Version[f.p.], Trofeo racing version[GP]
1	AP8176045	Engine 122 11KW	1	Year:2006[6] Country:Australia[AA], CH-DE-DK-EL[EU] Technical Specifications:11KW version[11kw], Euro 2[E2]
2	AP8107171	Sprocket cover, grey	1	
3	AP8120708	Cable-guide	2	
4	AP8106013	Gear lever	1	Year:2006[6], 2010[A] Country:Australia[AA], CH-DE-DK-EL[EU] Technical Specifications:11KW version[11kw], Full Power Version[f.p.]
4	AP8106013	Gear lever	1	Year:2009[9] Country:Australia[AA], Indonesia-Malaysia-New Zealand-Singapore[AP] Technical Specifications:Full Power Version[f.p.]
4	AP8106013	Gear lever	1	Year:2007[7], 2008[8] Country:United States of America[USA] Technical Specifications:Racing Version[rac]

<b>Group</b>	ENGINE
<b>Code</b>	29.26
<b>Description</b>	Engine
<b>Service</b>	1



Pos.	Code	Description	Qty	Variants
4	AP8232838	Gear lever	1	Year:2006[6] Country:Australia[AA], CH-DE-DK-EL[EU] Technical Specifications:Trofeo racing version[GP]
5	AP8210007	RH ball joint M6	1	
6	AP8110053	Left ball joint M6	1	
7	AP8121163	Gearbox linkage rod	1	
8	AP8120912	Lever rubber	1	
9	AP8121284	Brake lever pin	1	
10	AP8135726	Gearbox connecting rod	1	
11	AP8135719	Front RH eng. plate	1	
12	AP8135720	Front LH eng. plate	1	
13	AP8135786	RH engine support	1	
14	AP8135787	LH engine support	1	
15	AP8150412	Screw	1	
16	AP8150436	Low self-locking nut	3	
17	AP8150310	Hex socket screw M10X120	1	
18	AP8150044	Hex socket screw M6x20	2	
19	AP8150430	Low self-locking nut	2	
20	AP8152279	Screw w/ flange M6x20	1	
21	AP8121147	Spacer *	1	
22	AP8152138	Nut	1	
23	AP8150026	Nut M6	1	
24	AP8121697	Belleville spring	1	
25	AP8120275	Silent-block *	2	
26	AP8120405	Rubber spacer	1	
27	854531	LH Foot rests	1	

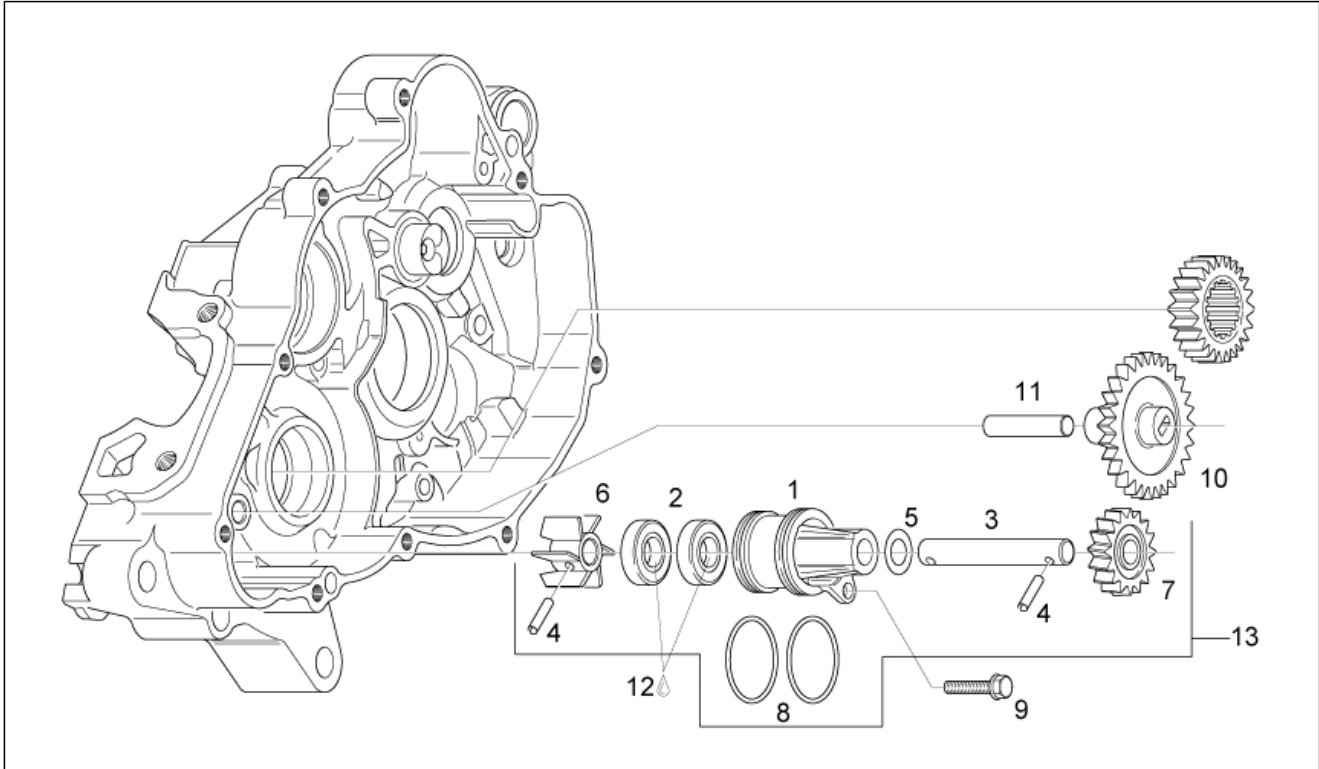
<b>Group</b>	ENGINE
<b>Code</b>	29.40
<b>Description</b>	Crankcase
<b>Service</b>	1



Pos.	Code	Description	Qty	Variants
1	AP0296199	Crankcase assy	1	
2	AP0229380	Pin 6x40	1	
3	AP0224260	pipe	1	
4	AP0232275	Roller cage 8x12x8	1	
5	AP0632010	Pin M8x12	4	
6	AP0924150	Brass union	1	
7	AP0247555	Bush	2	
8	AP0232291	Bearing 6302	1	
9	AP0932032	Bearing 6203	2	
10	AP0230425	Oil seal 28x38x7	2	
11	AP0930675	Oil seal 25x38x7	1	
12	AP0232765	Bearing 6205	2	
13	AP0940786	Stud bolt M8x57/20	2	
14	AP0650131	Gasket 6x10	1	
15	AP0950141	Gasket ring 8x13	1	
16	AP0241821	Hex socket screw M6x45	10	
17	AP0640190	Sensor	1	
18	AP0241381	Stud bolt M8x28x20	2	
19	AP0899788	Loctite (green) 648 5gr.	1	
20	AP0297386	Silastic 732 Rtv 100 gr.	1	
21	AP0293318	Cylinder set gasket	1	
22	AP0293314	Engine set gasket	1	

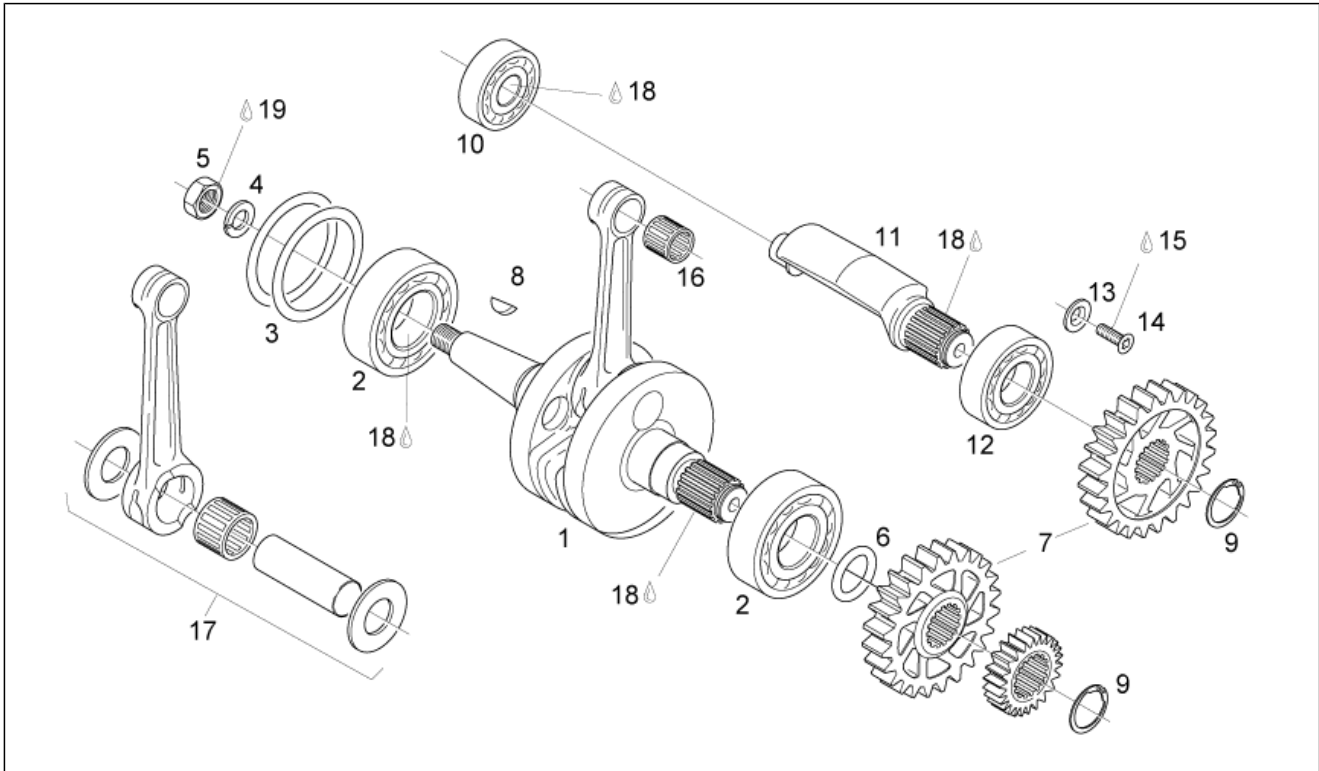


<b>Group</b>	ENGINE
<b>Code</b>	29.41
<b>Description</b>	Water pump assy
<b>Service</b>	1



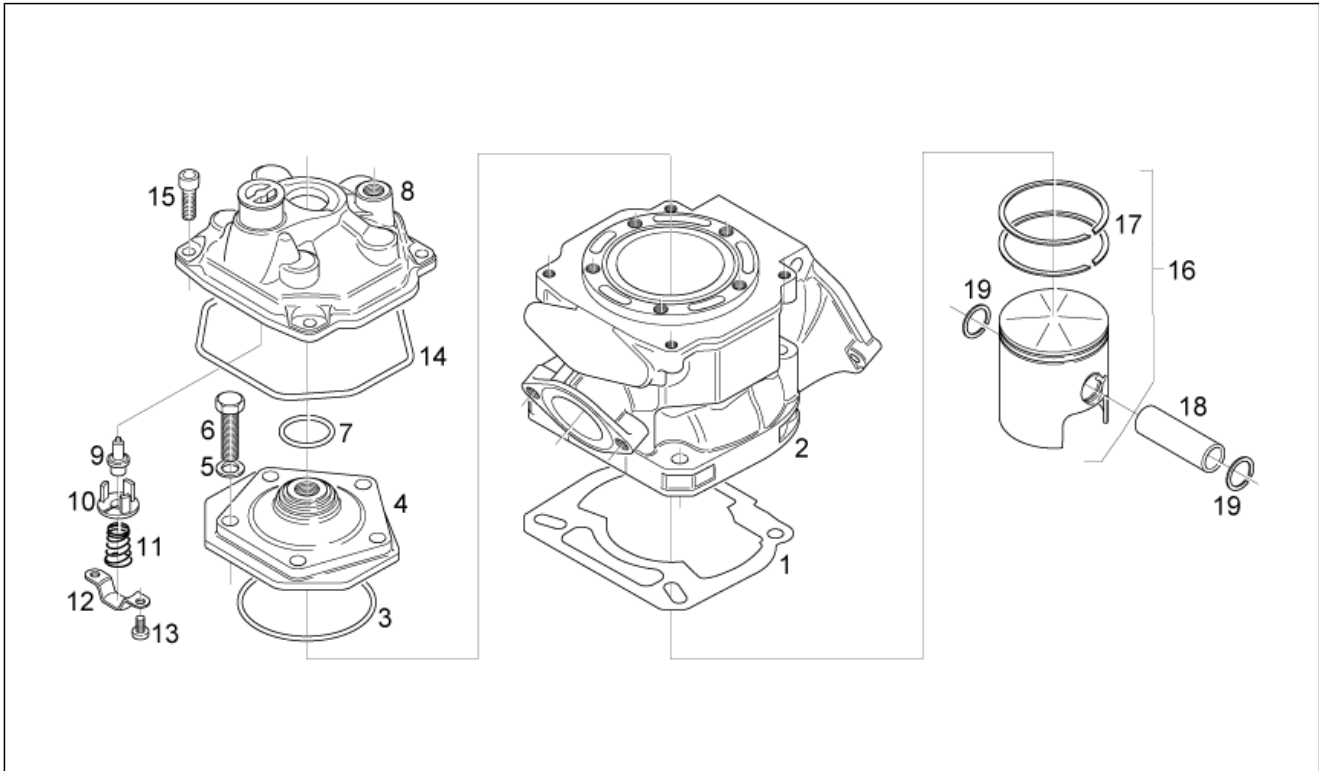
Pos.	Code	Description	Qty	Variants
1	AP0222182	Water pump casing	1	
2	AP0230195	Oil seal 10x26x7	2	
3	AP0237912	Water pump shaft assy.	1	
4	AP0229280	Pin 4x16	2	
5	AP0827590	Thrust washer 10,1/17/1	1	
6	AP0222195	Impeller	1	
7	AP0234415	Water pump pinion Z=16	1	
8	AP0430060	O-ring 26,7x1,8	2	
9	AP0241270	Screw w/ flange	1	
10	AP0634035	Idle gear Z=28/13	1	
11	AP0229380	Pin 6x40	1	
12	AP0897161	Molykote 111 100gr.	1	
13	AP0293417	Water pump assy	1	

<b>Group</b>	ENGINE
<b>Code</b>	29.42
<b>Description</b>	Crankshaft - Balance shaft
<b>Service</b>	1



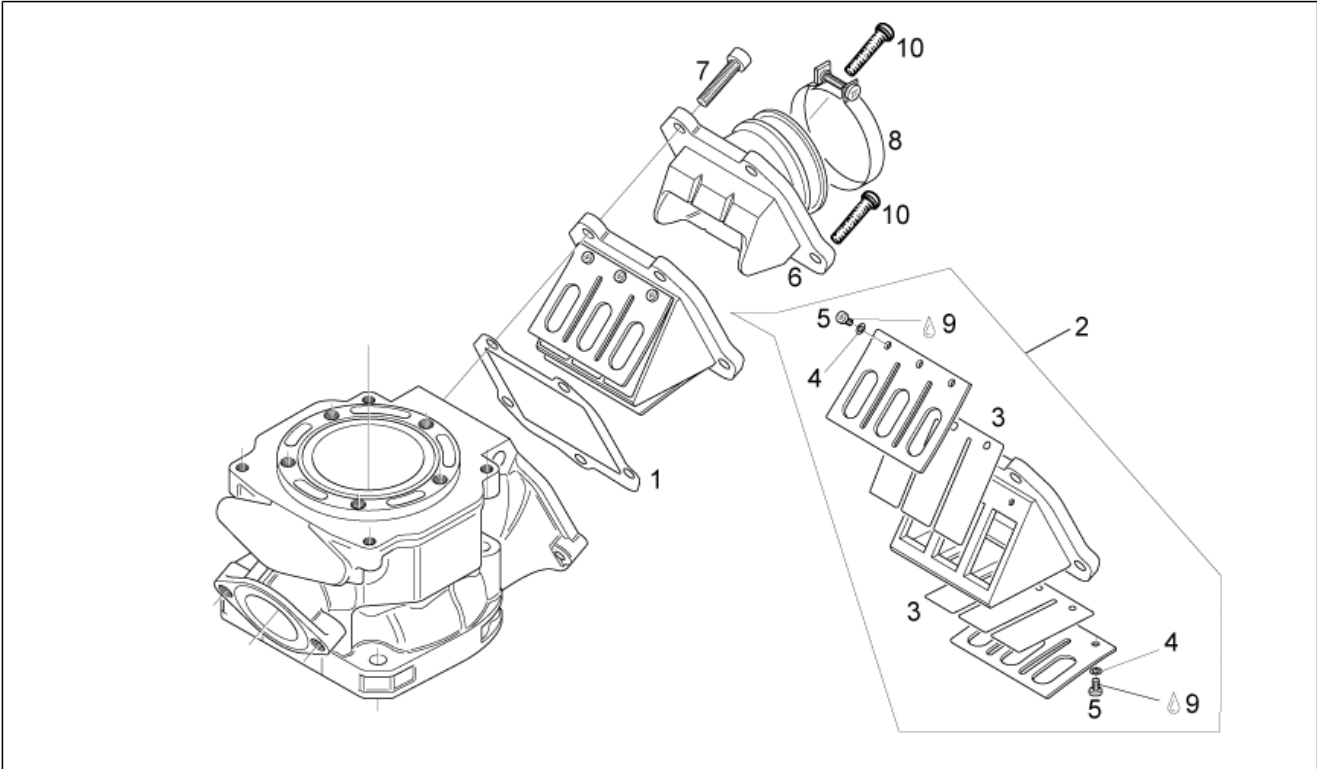
Pos.	Code	Description	Qty	Variants
1	AP0295375	Crankshaft cpl. 54,5mm	1	
2	AP0832533	Bearing 6206	2	
3	AP0427590	Spacer D50x62x0,1	1	
3	AP0427591	Spacer D50x62x0,3	1	
4	AP0945754	Break washer A12	1	
5	AP0242515	Nut M12x1	1	
6	AP0430460	O-ring 18x3,5	1	
7	AP0234431	Balance shaft gear Z=27	2	
8	AP0246570	Transmission key 4x5	2	
9	AP0245650	Circlip AV 20	2	
10	AP0232291	Bearing 6302	1	
11	AP0237948	Balance shaft	1	
12	AP0232341	Ball bearing 6005	1	
13	AP0227280	Thrust washer	1	
14	AP0940315	screw	1	
15	AP0899785	Loctite (violet) 221 10cc.	1	
16	AP0932028	Roller cage 15x19x20	1	
17	AP0295379	Connecting rod cpl.	1	
18	AP0297434	Loctite Anti Seize 50ml.15378	1	
19	AP0899788	Loctite (green) 648 5gr.	1	

<b>Group</b>	ENGINE
<b>Code</b>	29.43
<b>Description</b>	Cylinder - Head - Piston
<b>Service</b>	1



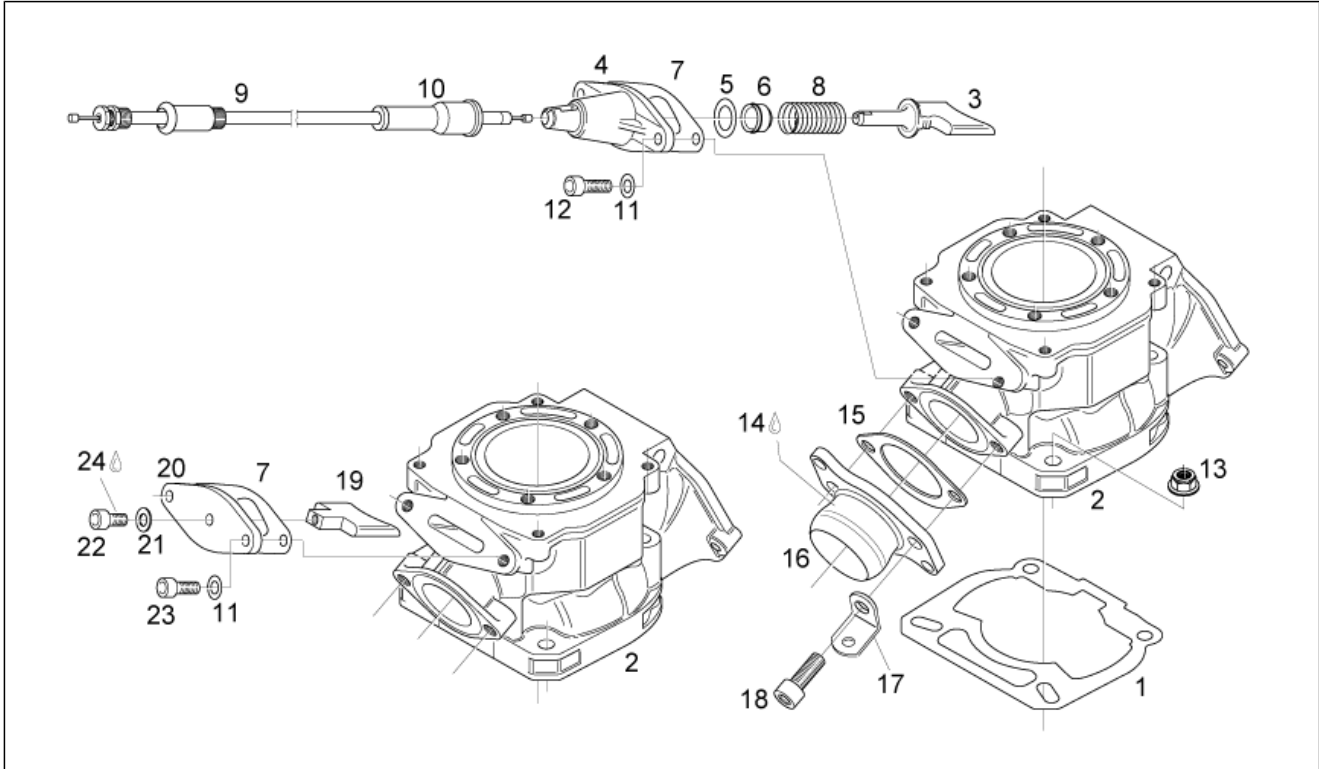
Pos.	Code	Description	Qty	Variants
1	AP0650095	Gasket 0,3	1	
1	AP0650096	Gasket 0,5	1	
1	AP0650097	Gasket 0,8	1	
2	AP0223614	Cylinder 9 holes	1	
3	AP0250160	O-ring 64x2	1	
4	AP0223385	Cylinder head	1	
5	AP0945752	Break washer A8	5	
6	AP0940487	Round screw M8x30	5	
7	AP0430782	O-ring 23,3x2,4	1	
8	AP0613101	Cylinder head cover	1	
9	AP0222122	Thermostat 70°	1	
10	AP0222175	Thermostat holder	1	
11	AP0239950	Spring	1	
12	AP0222202	Thermostat bow	1	
13	AP0240195	Special cap screw M4x8	2	
14	AP0250280	O-ring 105x2,5	1	
15	AP0241930	Hex socket screw M6x20	4	
16	AP0294744	Piston assy 53,98 mm	1	
16	AP0294745	Piston assy 53,99 mm	1	
16	AP0294753	Piston assy 54,00 mm	1	
16	AP0294754	Piston assy 54,01 mm	1	
17	AP0215672	Ring d54	2	
18	AP0216139	Piston pin	1	
19	AP0945635	Stop ring D15	2	

<b>Group</b>	ENGINE
<b>Code</b>	29.44
<b>Description</b>	Carburettor flange
<b>Service</b>	1



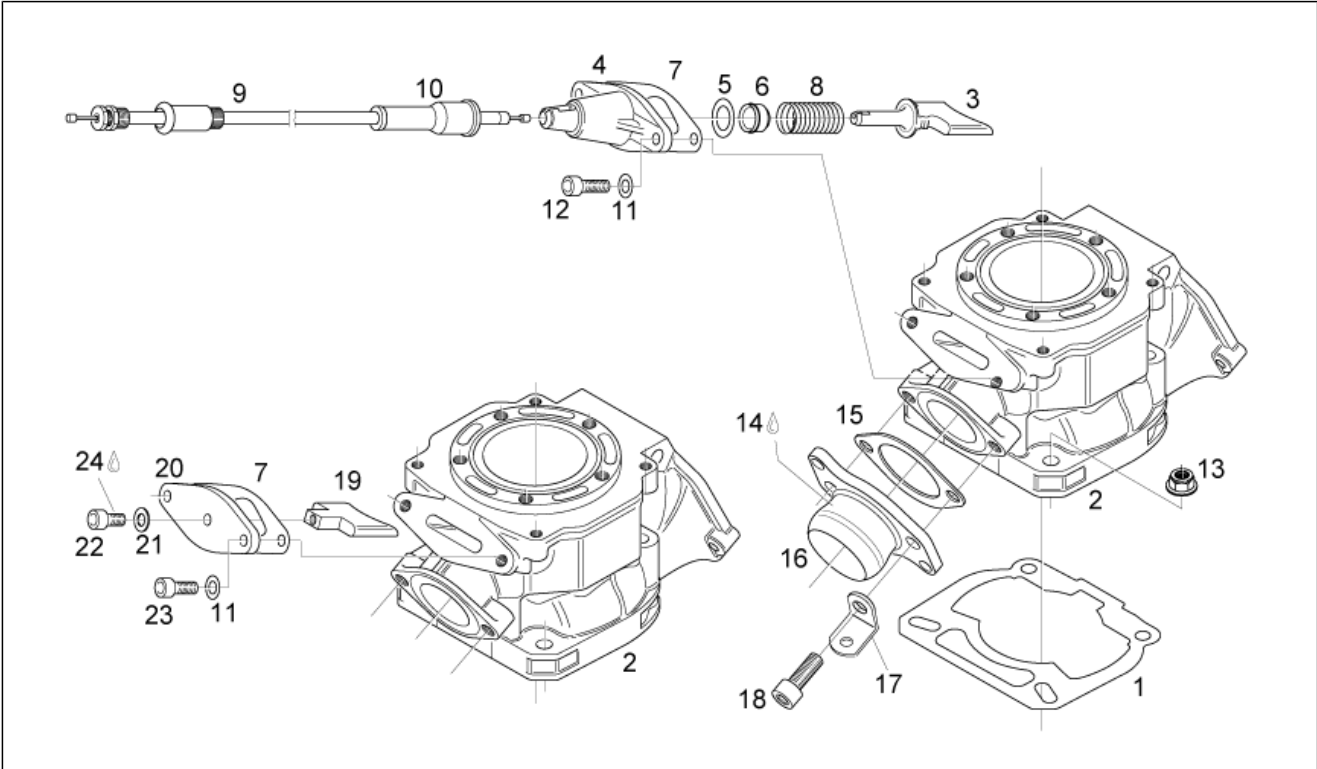
Pos.	Code	Description	Qty	Variants
1	AP0250521	Gasket	1	
2	AP0224389	Reed valve assy	1	
3	AP0224430	Reed valve assy	2	
4	AP0945758	Break washer A4	6	
5	AP0240351	Round screw M3x6	6	
6	AP0267918	Carburettor flange 28 MM	1	
7	AP0840861	Hex socket screw M6x25	5	
8	AP0251850	Hose clamp 51	1	
9	AP0899788	Loctite (green) 648 5gr.	1	
10	AP0440113	screw M6x25	2	

<b>Group</b>	ENGINE
<b>Code</b>	29.45
<b>Description</b>	Cylinder - Exhaust valve
<b>Service</b>	1



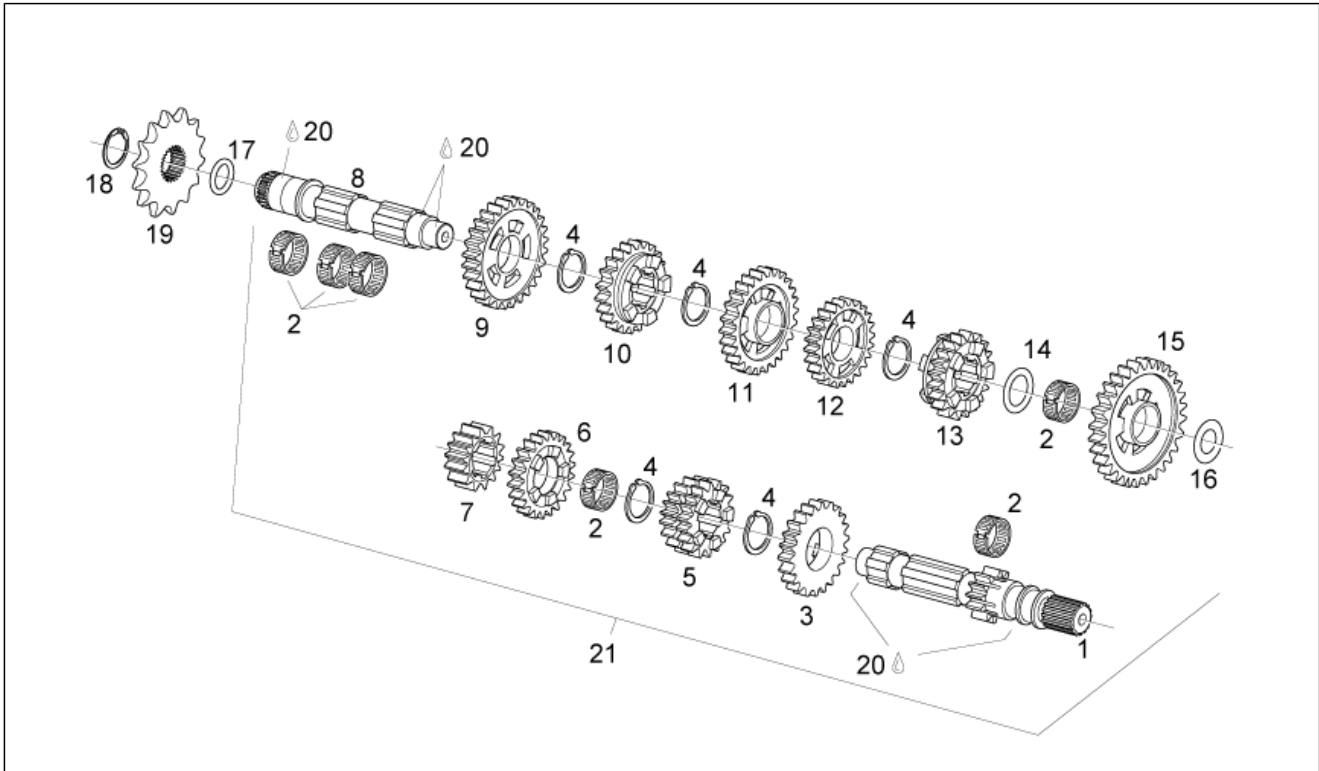
Pos.	Code	Description	Qty	Variants
1	AP0650095	Gasket 0,3	1	
1	AP0650096	Gasket 0,5	1	
1	AP0650097	Gasket 0,8	1	
2	AP0223614	Cylinder 9 holes	1	
3	AP0253722	Exhaust valve	1	<b>Technical Specifications:</b> Full Power Version[f.p.], Racing Version[rac]
4	AP0253465	Valve body	1	<b>Technical Specifications:</b> Full Power Version[f.p.], Racing Version[rac]
5	AP0230880	O-ring 13,3x2,4	1	<b>Technical Specifications:</b> Full Power Version[f.p.], Racing Version[rac]
6	AP0230810	Valve stem seal	1	<b>Technical Specifications:</b> Full Power Version[f.p.], Racing Version[rac]
7	AP0250975	Gasket 0,8	1	
8	AP0239052	Spring	1	<b>Technical Specifications:</b> Full Power Version[f.p.], Racing Version[rac]
9	AP0297746	Elect.rave valve cable	1	<b>Technical Specifications:</b> Full Power Version[f.p.], Racing Version[rac]
10	AP0860460	Rubber cap	1	<b>Technical Specifications:</b> Full Power Version[f.p.], Racing Version[rac]
11	AP0845020	Spring washer B6	2	
12	AP0241930	Hex socket screw M6x20	2	<b>Technical Specifications:</b> Full Power Version[f.p.], Racing Version[rac]
13	AP0242706	Flanged nut M8	4	
14	AP0297434	Loctite Anti Seize 50ml.15378	1	
15	AP0250271	Gasket	1	
16	AP0273970	Exhaust flange cpl.	1	
17	AP0224067	Butt strap	2	
18	AP0240081	Hex socket screw M8x25	2	
19	AP0253373	Exhaust valve	1	<b>Technical Specifications:</b> 80Km/h speed[80Km]
20	AP0253500	Fixing plate	1	<b>Technical Specifications:</b> 80Km/h speed[80Km]

<b>Group</b>	ENGINE
<b>Code</b>	29.45
<b>Description</b>	Cylinder - Exhaust valve
<b>Service</b>	1



Pos.	Code	Description	Qty	Variants
21	AP0827961	Washer 6,4	1	<b>Technical Specifications:</b> 80Km/h speed[80Km]
22	AP0840861	Hex socket screw M6x25	1	<b>Technical Specifications:</b> 80Km/h speed[80Km]
23	AP0241236	Hex socket screw M6x16	2	<b>Technical Specifications:</b> 80Km/h speed[80Km]
24	AP0899788	Loctite (green) 648 5gr.	2	<b>Technical Specifications:</b> 80Km/h speed[80Km]

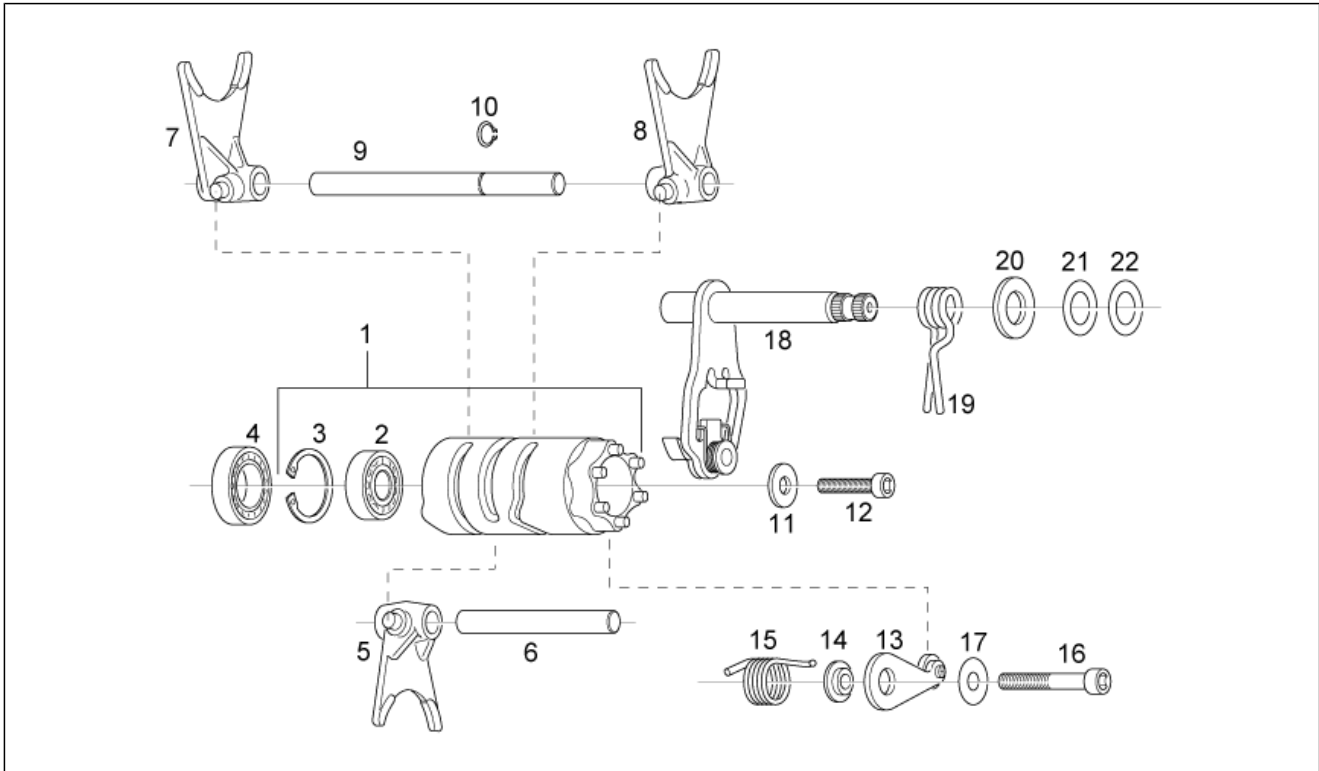
<b>Group</b>	ENGINE
<b>Code</b>	29.46
<b>Description</b>	Transmission
<b>Service</b>	1



Pos.	Code	Description	Qty	Variants
1	AP0220300	Primary gear shaft Z=10	1	
2	AP0232742	Roller cage 21x25x10	6	
3	AP0634125	Gear Z=22	1	
4	AP0245730	Circlip 25x2	5	
5	AP0634095	Gear Z=17/19	1	
6	AP0634105	Gear Z=21	1	
7	AP0634085	2nd pinion gear Z=14	1	
8	AP0220280	Driven shaft	1	
9	AP0234968	Gear Z=29	1	
10	AP0634115	Gear Z=24	1	
11	AP0234984	Gear Z=27	1	
12	AP0234858	Gear Z=25	1	
13	AP0634135	Gear Z=23	1	
14	AP0244100	Thrust washer 21,2/30/1	1	
15	AP0634065	Gear Z=30	1	
16	AP0227430	Thrust washer 17,2/30/1	1	
17	AP0430460	O-ring 18x3,5	1	
18	AP0245650	Circlip AV 20	1	
19	AP0236061	Pinion Z=14	1	
19	AP0236062	Pinion	1	
19	AP0236063	Pinion Z=16	1	
19	AP0236064	Pinion Z=17	1	<b>Country:</b> United States of America[USA] <b>Technical Specifications:</b> Racing Version[rac]
19	AP0236065	Pinion Z=17	1	<b>Country:</b> Australia[AA], Indonesia-Malaysia-New Zealand-Singapore[AP], CH-DE-DK-EL[EU]
20	AP0297434	Loctite Anti Seize 50ml.15378	1	
21	AP0281210	Gear box assy 6 v.ta'	1	

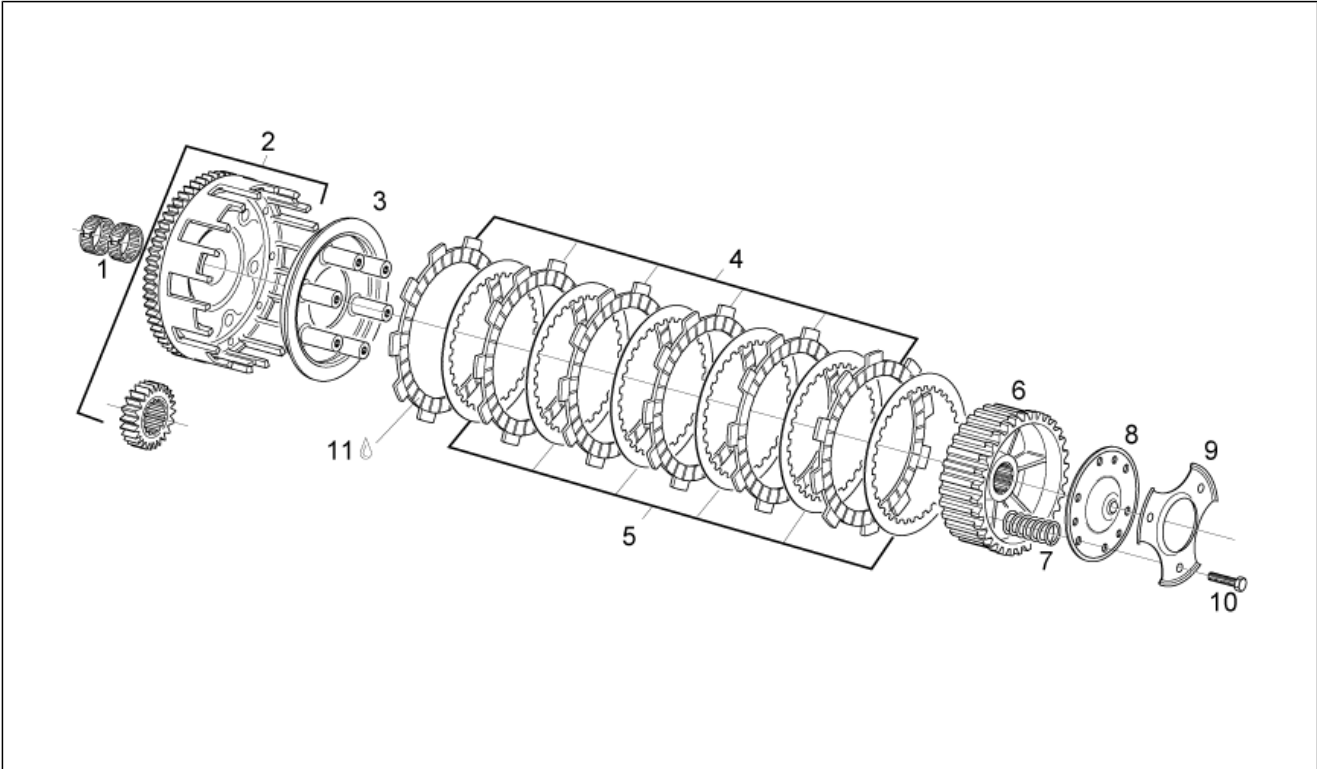


<b>Group</b>	ENGINE
<b>Code</b>	29.47
<b>Description</b>	Grip shift
<b>Service</b>	1



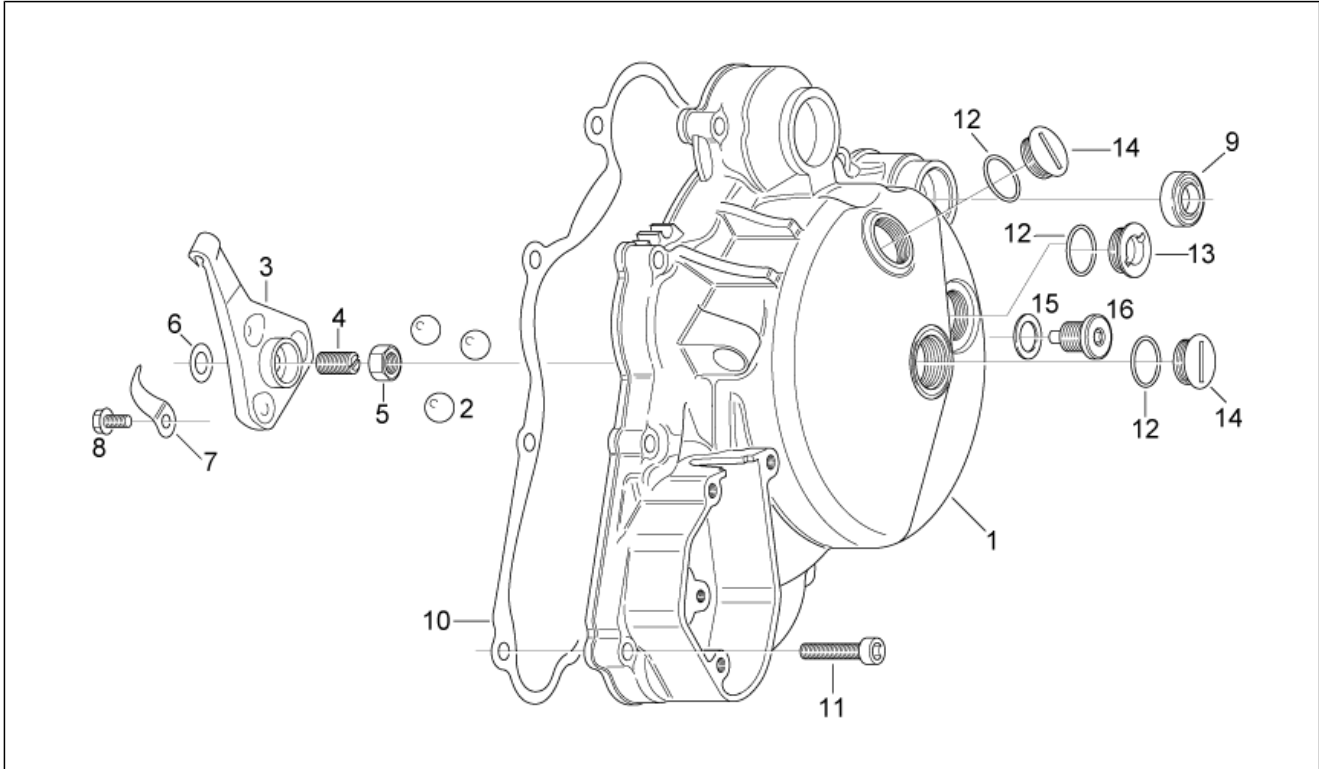
Pos.	Code	Description	Qty	Variants
1	AP0258305	Shift cam	1	
2	AP0232402	Bearing 6001	1	
3	AP0245790	Circlip	1	
4	AP0632060	Ball bearing 61804	1	
5	AP0258138	Fork 5-6 V.ta'	1	
6	AP0229390	Pin M6x70	1	
7	AP0258128	Fork 2-3 speed	1	
8	AP0258118	Fork 1-4 v.ta'	1	
9	AP0258200	Fork shaft	1	
10	AP0245570	Circlip 8x0,8	1	
11	AP0827305	Washer 6,2x18x2	1	
12	AP0840880	Hex socket screw M6x30	1	
13	AP0248326	Index assy. lever	1	
14	AP0227710	Bush	1	
15	AP0239241	Index spring	1	
16	AP0241821	Hex socket screw M6x45	1	
17	AP0827307	Washer 6,2x18x0,5	1	
18	AP0220295	Gearshift shaft+pawl assy	1	
19	AP0239252	Spring	1	
20	AP0427690	Washer 13	1	
21	AP0827261	Thrust washer 12,5/21,5	1	
22	AP0227451	Thrust washer 12,5/21,5/0,5	1	

<b>Group</b>	ENGINE
<b>Code</b>	29.48
<b>Description</b>	Clutch
<b>Service</b>	1



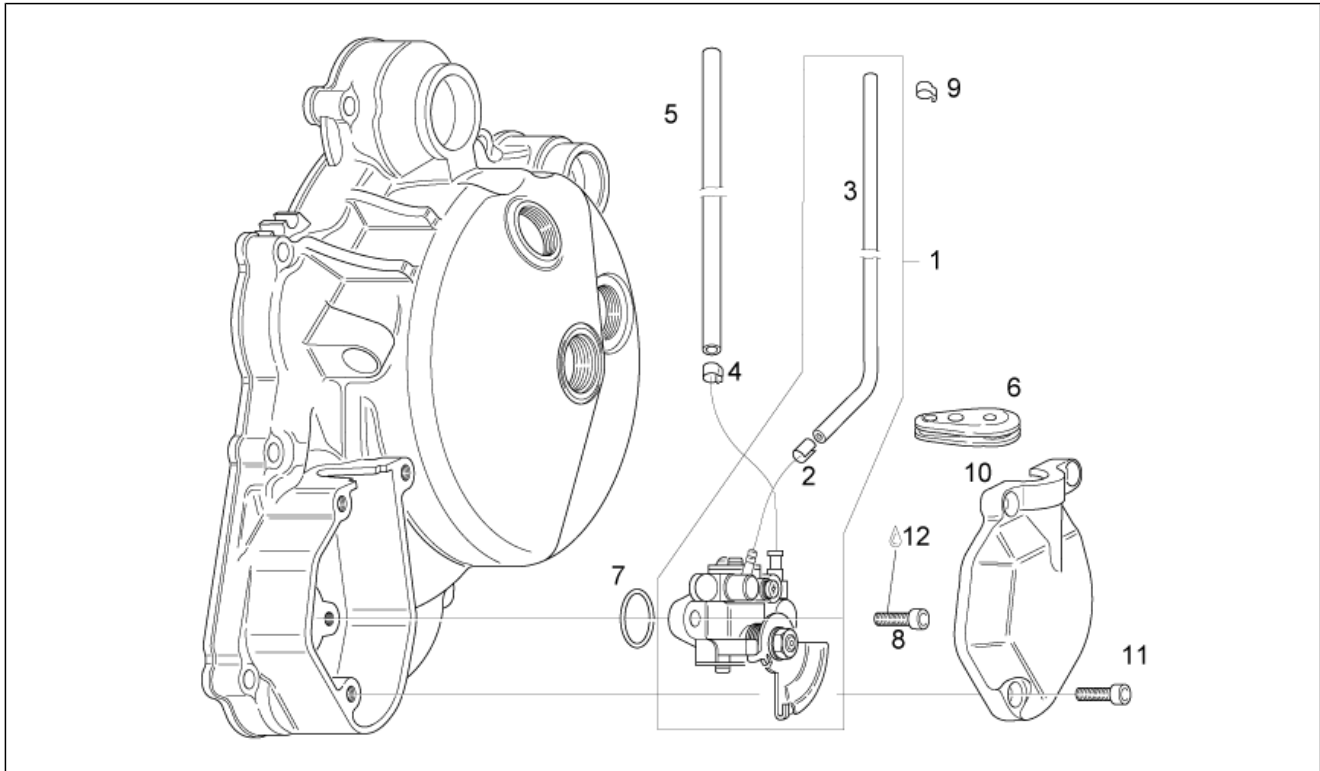
Pos.	Code	Description	Qty	Variants
1	AP0232742	Roller cage 21x25x10	2	
2	AP0295406	Primary transm.	1	
3	AP0259570	Springholder plate	1	
4	AP0259053	Lined clutch disc 3,1 mm	6	
5	AP0259559	Clutch disc 1 MM	6	
6	AP0259470	Clutch hub	1	
7	AP0239625	Clutch spring 34,1 MM	6	
8	AP0259165	Pressure plate cpl.	1	
9	AP0259420	Springs plate guide	1	
10	AP0241770	Hex screw	6	
11	0000000	Tyre	1	

<b>Group</b>	ENGINE
<b>Code</b>	29.49
<b>Description</b>	Clutch cover
<b>Service</b>	1



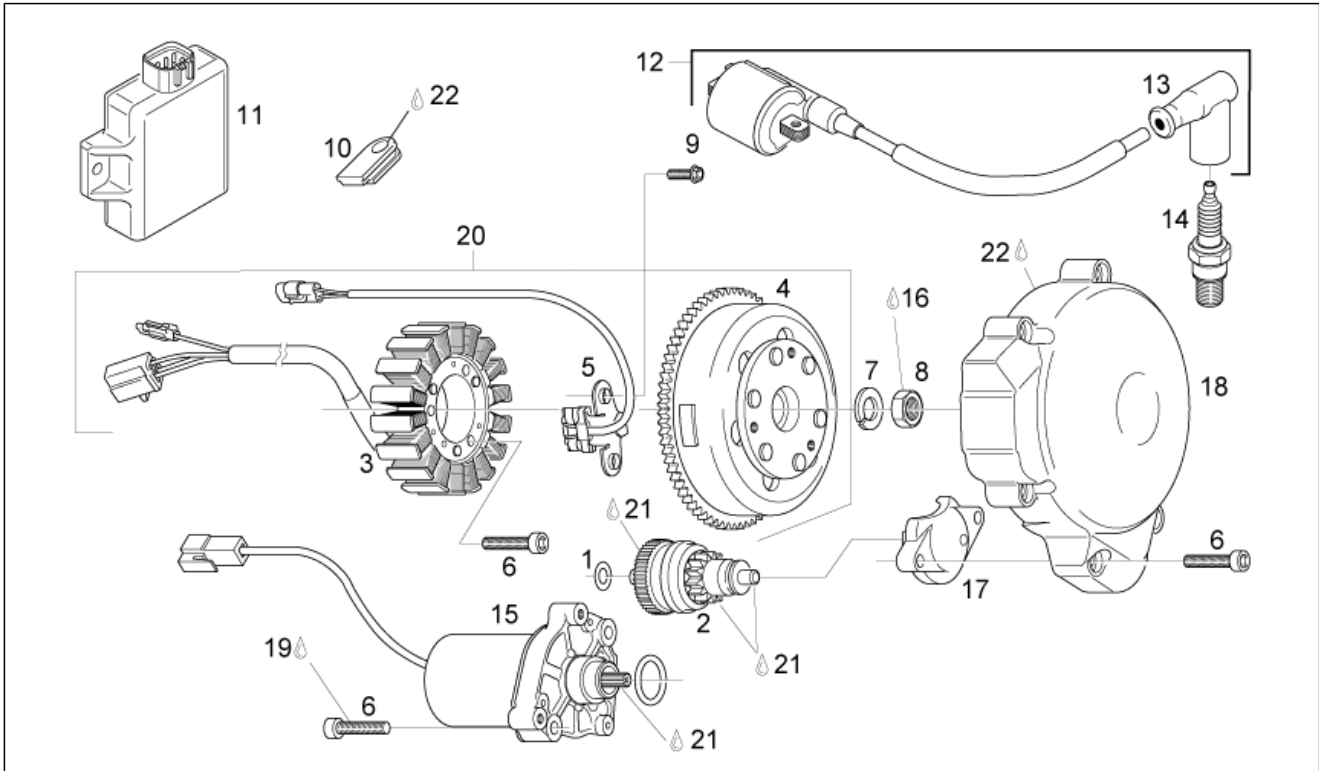
Pos.	Code	Description	Qty	Variants
1	AP0211403	Clutch cover	1	
2	AP0232150	Ball 12 MM	3	
3	AP0259325	Cam lever	1	
4	AP0241793	screw	1	
5	AP0942671	Nut M8	1	
6	AP0227945	Thrust washer 8,1/15	1	
7	AP0239907	Leaf spring	1	
8	AP0841685	Screw w/ flange	1	
9	AP0250455	Oil seal 12x22x7	1	
10	AP0250206	Gasket	1	
11	AP0840880	Hex socket screw M6x30	9	
12	AP0250890	O-ring 3771	3	
13	AP0240820	Oil level screw M18x1,5	1	
14	AP0241801	Plastic plug M18x1,5	2	
15	AP0250641	Gasket ring 12x18	1	
16	AP0241782	Magnetic drain plug M12x1,5	1	

<b>Group</b>	ENGINE
<b>Code</b>	29.50
<b>Description</b>	Oil pump
<b>Service</b>	1



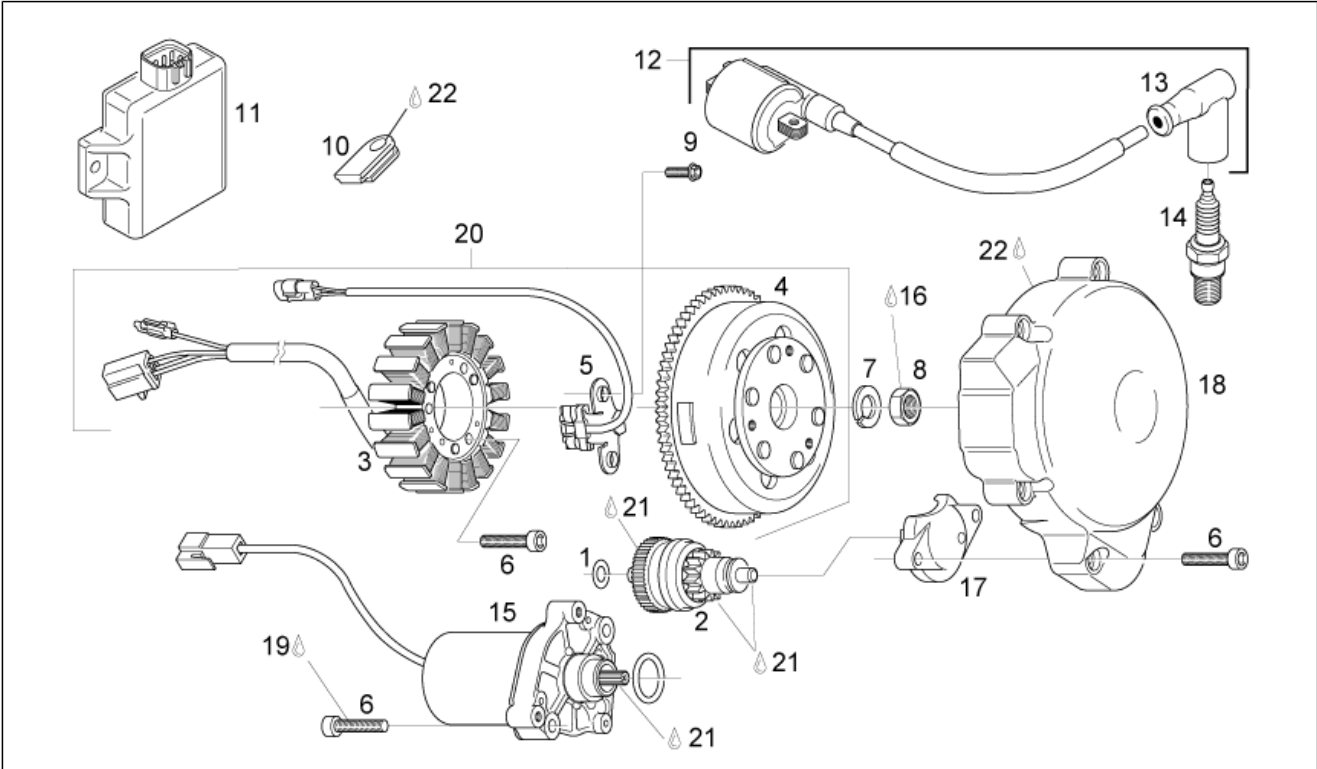
Pos.	Code	Description	Qty	Variants
1	AP0294735	Oil pump assy.	1	
2	AP0256408	Hose clamp	1	
3	AP0256410	pipe 350 MM	1	
4	AP0251080	Hose clamp 8	1	
5	AP0256037	pipe 850 MM	1	
6	AP0260030	Rubber, wire cover	1	
7	AP0250890	O-ring 3771	1	
8	AP0840510	Hex socket screw	2	
9	AP0853845	Hose clamp 35553	1	
10	AP0211440	Oil pump cover	1	
11	AP0840511	Hex socket screw	3	
12	AP0899785	Loctite (violet) 221 10cc.	1	

<b>Group</b>	ENGINE
<b>Code</b>	29.51
<b>Description</b>	Ignition unit
<b>Service</b>	1



Pos.	Code	Description	Qty	Variants
1	AP0227945	Thrust washer 8,1/15	1	
2	AP0294810	Gear cpl.	1	
3	AP0295670	Stator cpl.	1	
4	AP0295677	Cdi magneto assy	1	
5	AP0265157	Ext. pick-up	1	
6	AP0840880	Hex socket screw M6x30	11	
7	AP0945754	Break washer A12	1	
8	AP0242515	Nut M12x1	1	
9	AP0941925	Special TE screw	2	
10	AP0260840	Rubber, wire cover	1	
11	AP0265402	Digital ECU	1	Year:2006[6], 2009[9] Technical Specifications:Full Power Version[f.p.]
11	AP0265405	Analog control unit	1	Year:2006[6] Technical Specifications:80Km/h speed[80Km]
11	CM082401	ECU CDI	1	Year:2008[8] Technical Specifications:Full Power Version[f.p.], Racing Version[rac]
11	CM082402	ECU CDI	1	Year:2007[7], 2008[8] Technical Specifications:11KW version[11kw]
11	CM082407	ECU CDI	1	Year:2010[A] Technical Specifications:11KW version[11kw]
12	AP0265415	HT coil	1	
13	AP0866708	Sparkplug cap, black	1	
14	AP0297830	Spark plug BR10EG	1	Technical Specifications:Full Power Version[f.p.], Racing Version[rac]
14	AP8206873	Spark plug BR8ES	1	Technical Specifications:80Km/h speed[80Km]
15	AP0294800	Starter motor	1	
16	AP0899788	Loctite (green) 648 5gr.	1	
17	AP0210345	Starter motor cover	1	
18	AP0211455	Flywheel cover	1	

<b>Group</b>	ENGINE
<b>Code</b>	29.51
<b>Description</b>	Ignition unit
<b>Service</b>	1



Pos.	Code	Description	Qty	Variants
19	AP0899785	Loctite (violet) 221 10cc.	1	
20	AP0295365	Ignition unit cpl.	1	
21	AP0897161	Molykote 111 100gr.	1	
22	AP0297386	Silastic 732 Rtv 100 gr.	1	