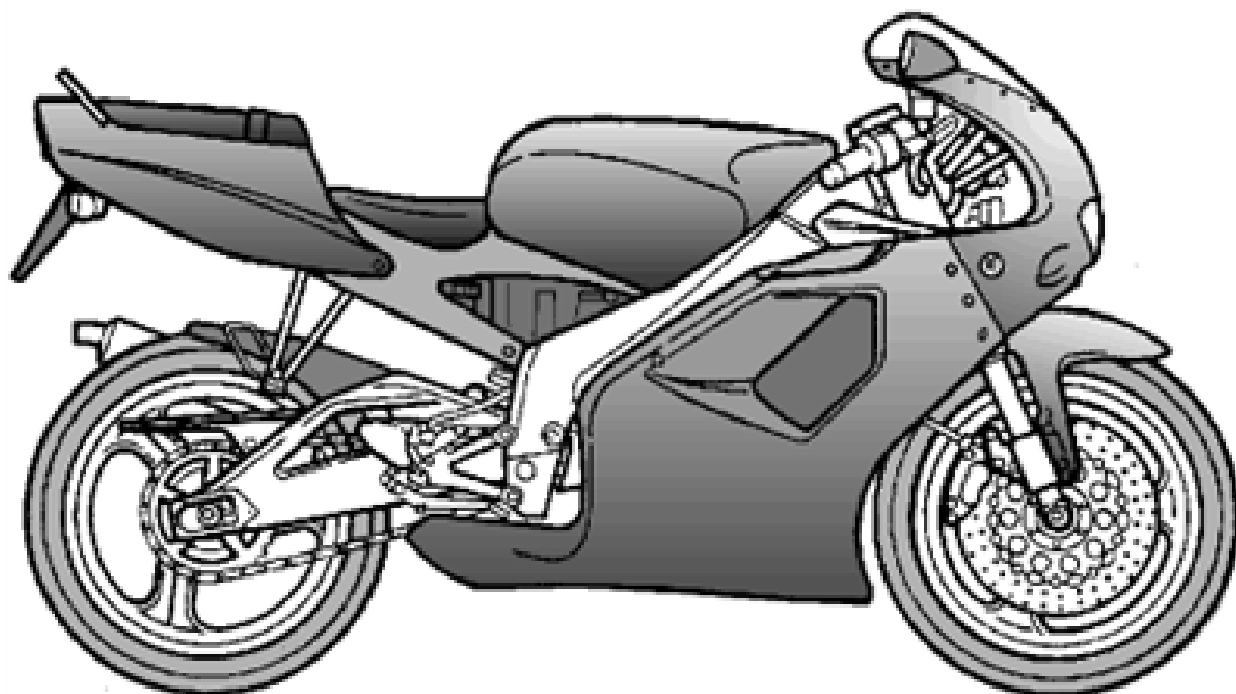




PIAGGIO & C.s.p.a.

aprilia

SPARE PARTS CATALOGUE



RS 125 1996-1998 (eng.123cc)

Chassis prefix: 055

Engine prefix:

RS 125

333T

Index

Products.....	3
Part reference.....	5
FRAME.....	10
Drawing 28.01 - Frame.....	10
Drawing 28.02 - Body.....	13
Drawing 28.03 - Handlebar - Dashboard.....	21
Drawing 28.04 - Rear shock absorber.....	25
Drawing 28.06 - Front wheel complete.....	26
Drawing 28.07 - Rear wheel.....	27
Drawing 28.08 - Front fork.....	29
Drawing 28.09 - Electrical system.....	30
Drawing 28.10 - Plate set and decal.....	32
ENGINE.....	34
Drawing 29.05 - Engine.....	34
Drawing 29.11 - Crankcase.....	36
Drawing 29.12 - Crankshaft - Balance shaft.....	38
Drawing 29.13 - Cylinder - Cylinder head.....	40
Drawing 29.14 - Transmission 6 speed.....	43
Drawing 29.15 - Clutch.....	45
Drawing 29.16 - Clutch cover-Oil pump.....	46
Drawing 29.17 - Ignition unit.....	48
Drawing 29.18 - Starter motor.....	50
SPECIAL TOOLS.....	51
Drawing 31.19 - Repairing tools I.....	51
Drawing 31.20 - Repairing tools II.....	52

Products

Code	Validity
AP66201CH01	
AP66201CH03	
AP66201CH04	
AP66201CH05	
AP66201CH06	
AP66201DE01	
AP66201DE03	
AP66201DE05	
AP66201DE06	
AP66201ES02	
AP66201ES03	
AP66201ES04	
AP66201ES05	
AP66201ES06	
AP66201ES07	
AP66201FR01	
AP66201FR02	
AP66201FR03	
AP66201FR04	
AP66201FR05	
AP66201FR06	
AP66201GB02	
AP66201GB03	
AP66201GB04	
AP66201GB05	
AP66201GB06	
AP66201JP03	
AP66201JP04	
AP66201JP05	
AP66201JP06	
AP66201SG03	
AP66201SG05	
AP7106190	
AP7106192	
AP7106207	
AP7106208	
AP7106214	
AP7106216	
AP7106217	
AP7106218	
AP7106220	
AP7106222	

Code	Validity
AP7106223	
AP7106224	
AP7106226	
AP7106227	
AP7106228	
AP7106229	
AP7106237	
AP7106242	
AP7106243	

Code	Drawing Nr.	Pos.	Code	Drawing Nr.	Pos.	Code	Drawing Nr.	Pos.
0000000	28.06	9	AP0237905	29.12	12	AP0250890	29.15	4
0000000	28.07	12	AP0237910	29.11	23	AP0250890	29.16	22
AP0210340	29.17	19	AP0237945	29.12	16	AP0251850	29.13	41
AP0210920	29.16	1	AP0239052	29.13	10	AP0253462	29.13	4
AP0210930	29.16	27	AP0239625	29.15	12	AP0253465	29.13	4
AP0211050	29.17	22	AP0239645	29.14	24	AP0253722	29.13	3
AP0215670	29.12	23	AP0239820	29.14	23	AP0256037	29.16	20
AP0216136	29.12	24	AP0239835	29.14	20	AP0256400	29.16	17
AP0216139	29.12	24	AP0239905	29.16	7	AP0256410	29.16	18
AP0220050	29.14	8	AP0239950	29.13	26	AP0258880	29.14	30
AP0220066	29.14	19	AP0240081	29.13	45	AP0258893	29.14	29
AP0220075	29.14	1	AP0240150	29.17	15	AP0258903	29.14	27
AP0222122	29.13	24	AP0240181	29.16	28	AP0258913	29.14	28
AP0222174	29.13	25	AP0240195	29.13	28	AP0258937	29.14	26
AP0222175	29.13	25	AP0240820	29.16	25	AP0259052	29.15	7
AP0222180	29.11	21	AP0240860	31.19	23	AP0259053	29.15	7
AP0222195	29.11	27	AP0241071	29.16	15	AP0259065	29.15	9
AP0222200	29.13	27	AP0241215	29.18	11	AP0259165	29.15	13
AP0222202	29.13	27	AP0241236	31.19	13	AP0259320	29.16	3
AP0223368	29.13	2	AP0241241	29.13	17	AP0259420	29.15	14
AP0223384	29.13	19	AP0241261	29.11	18	AP0259557	29.15	8
AP0223398	29.13	23	AP0241270	29.11	30	AP0259570	29.15	6
AP0223617	29.13	2	AP0241301	29.17	26	AP0260030	29.16	21
AP0224067	29.13	44	AP0241301	29.18	13	AP0260120	29.13	6
AP0224260	29.11	3	AP0241381	29.11	36	AP0260434	29.17	11
AP0224387	29.13	32	AP0241401	29.11	7	AP0260840	29.17	16
AP0224430	29.13	34	AP0241591	29.17	7	AP0264010	29.18	1
AP0227280	29.12	18	AP0241770	29.15	15	AP0264030	29.18	2
AP0227430	29.14	16	AP0241782	29.11	33	AP0264040	29.18	9
AP0227500	29.11	16	AP0241791	29.16	4	AP0264045	29.18	10
AP0227571	29.13	20	AP0241800	29.16	24	AP0264050	29.18	3
AP0227600	29.15	5	AP0241801	29.16	24	AP0264060	29.18	8
AP0227945	29.16	6	AP0241811	29.16	12	AP0264070	29.18	6
AP0227945	29.17	2	AP0241821	29.11	17	AP0265965	29.17	4
AP0229280	29.11	28	AP0241850	29.11	35	AP0265987	29.17	9
AP0229290	29.11	38	AP0241905	29.11	9	AP0267915	29.13	38
AP0229290	29.11	5	AP0241930	29.13	14	AP0267917	29.13	38
AP0230195	29.11	22	AP0241930	29.13	30	AP0267996	29.13	39
AP0230425	29.11	10	AP0241930	29.17	21	AP0273882	29.13	43
AP0230810	29.13	8	AP0242090	31.19	16	AP0273970	29.13	43
AP0230880	29.13	5	AP0242206	31.19	19	AP0276025	31.20	9
AP0232150	29.16	2	AP0242206	31.20	6	AP0276040	31.19	7
AP0232275	29.11	4	AP0242211	31.19	24	AP0276370	31.19	15
AP0232290	29.11	14	AP0242570	29.12	11	AP0276372	31.19	18
AP0232290	29.12	15	AP0242591	29.13	21	AP0276380	31.19	14
AP0232291	29.11	14	AP0242700	31.19	20	AP0276382	31.19	17
AP0232291	29.12	15	AP0244100	29.14	14	AP0276502	31.19	3
AP0232340	29.12	17	AP0244930	29.17	20	AP0276662	31.20	8
AP0232420	29.16	10	AP0245650	29.12	20	AP0276770	31.19	4
AP0232460	29.18	4	AP0245650	29.14	18	AP0277100	31.20	2
AP0232652	29.15	2	AP0245730	29.14	4	AP0277107	31.20	22
AP0232730	29.11	24	AP0245740	29.15	10	AP0277110	31.20	5
AP0232742	29.14	2	AP0246055	29.12	8	AP0277180	31.19	8
AP0232765	29.11	12	AP0247555	29.11	39	AP0277440	31.19	22
AP0232766	29.11	12	AP0247690	29.14	25	AP0277445	31.19	21
AP0234410	29.11	25	AP0248255	29.14	21	AP0277450	31.19	10
AP0234430	29.12	7	AP0250160	29.13	18	AP0277455	31.19	9
AP0234431	29.12	7	AP0250200	29.16	11	AP0277460	31.19	12
AP0234858	29.14	12	AP0250280	29.13	29	AP0277470	31.19	11
AP0234968	29.14	9	AP0250311	29.13	15	AP0277850	31.19	1
AP0234984	29.14	11	AP0250311	31.20	4	AP0277875	31.19	2
AP0236061	29.14	31	AP0250350	29.18	5	AP0277917	31.20	1
AP0236062	29.14	31	AP0250417	29.11	15	AP0277970	31.19	5
AP0236063	29.14	31	AP0250450	29.16	9	AP0281184	29.14	34
AP0236064	29.14	31	AP0250521	29.13	31	AP0293312	31.20	21
AP0237160	29.16	13	AP0250641	29.11	32	AP0293317	31.20	20
AP0237905	29.11	2	AP0250641	29.11	6	AP0293367	29.17	8

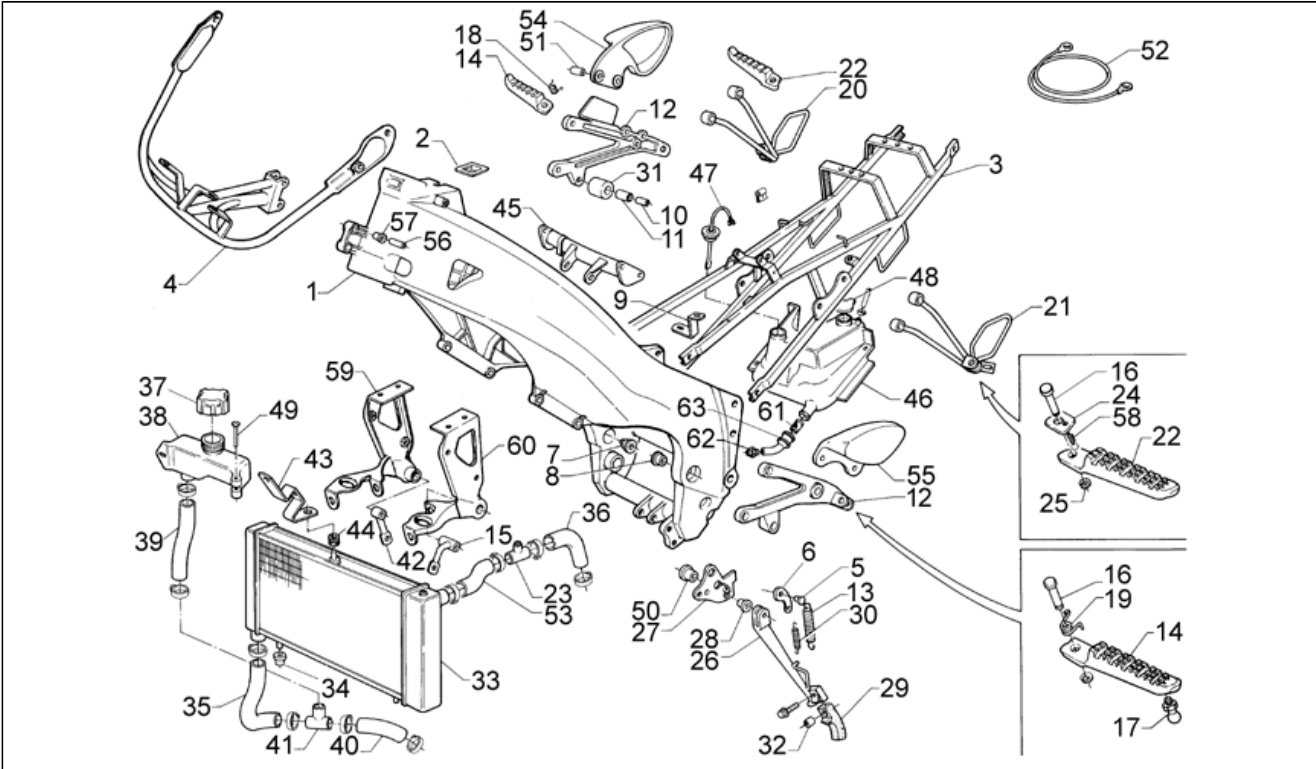
Code	Drawing Nr.	Pos.	Code	Drawing Nr.	Pos.	Code	Drawing Nr.	Pos.
AP0293377	29.17	5	AP0876298	31.20	11	AP8102341	28.02	20
AP0293415	29.11	43	AP0876973	31.19	6	AP8102361	28.02	10
AP0293685	29.17	24	AP0897161	29.11	40	AP8102375	28.02	64
AP0293690	29.17	3	AP0897161	29.17	27	AP8102432	29.05	29
AP0293849	29.12	26	AP0897161	31.20	15	AP8102502	28.01	52
AP0293890	29.18	7	AP0897330	29.14	33	AP8102512	28.03	46
AP0293925	29.12	9	AP0897330	31.20	19	AP8102579	28.03	3
AP0293925	29.15	3	AP0899785	29.11	42	AP8102603	28.02	51
AP0293926	29.12	9	AP0899785	29.12	29	AP8102632	28.02	23
AP0293926	29.15	3	AP0899785	29.16	31	AP8102633	28.02	24
AP0294451	29.17	31	AP0899785	29.17	30	AP8102660	28.03	3
AP0294730	29.16	16	AP0899785	31.20	16	AP8102704	28.01	33
AP0294747	29.12	22	AP0899788	29.11	41	AP8102705	28.02	23
AP0294755	29.12	22	AP0899788	29.12	28	AP8102706	28.02	24
AP0294756	29.12	22	AP0899788	29.13	47	AP8102798	28.01	2
AP0294770	29.12	1	AP0899788	29.16	30	AP8102801	28.02	25
AP0295216	29.11	1	AP0899788	29.17	29	AP8102802	28.02	8
AP0297386	29.17	28	AP0899788	31.20	17	AP8103235	28.08	25
AP0297386	31.20	18	AP0924150	29.11	8	AP8106013	29.05	3
AP0297431	29.12	27	AP0927571	29.17	6	AP8106194	29.05	2
AP0297431	29.13	46	AP0930675	29.11	11	AP8106205	29.05	1
AP0297431	29.14	32	AP0932028	29.12	21	AP8106224	29.05	2
AP0297431	31.20	14	AP0932032	29.11	13	AP8106238	29.05	1
AP0297740	29.13	11	AP0932588	29.12	2	AP8106283	29.05	1
AP0297830	29.17	13	AP0940235	29.13	37	AP8106285	29.05	2
AP0427460	29.15	1	AP0940315	29.12	19	AP8106315	29.05	11
AP0427590	29.12	3	AP0940590	31.20	3	AP8106316	29.05	32
AP0427591	29.12	3	AP0940755	31.20	12	AP8107045	28.07	41
AP0430060	29.11	29	AP0940786	29.11	37	AP8107090	28.07	3
AP0430460	29.12	6	AP0942220	29.15	11	AP8107110	28.07	41
AP0430460	29.14	17	AP0942671	29.13	16	AP8107110	28.07	41
AP0430600	29.16	14	AP0942671	29.16	5	AP8107135	28.07	38
AP0430782	29.13	22	AP0945635	29.12	25	AP8107135	28.07	38
AP0440191	29.11	31	AP0945750	29.17	14	AP8107140	28.07	38
AP0613100	29.13	23	AP0945751	29.17	25	AP8108564	28.06	1
AP0634030	29.12	14	AP0945751	29.18	12	AP8108565	28.07	1
AP0634065	29.14	15	AP0945754	29.12	4	AP8110024	28.08	8
AP0634085	29.14	7	AP0945754	29.17	17	AP8110025	28.08	7
AP0634095	29.14	5	AP0945756	29.12	10	AP8110053	29.05	10
AP0634105	29.14	6	AP0945758	29.13	36	AP8110063	28.04	20
AP0634115	29.14	10	AP0950141	29.11	19	AP8110064	28.04	13
AP0634125	29.14	3	AP0951591	29.16	19	AP8110067	28.04	4
AP0634135	29.14	13	AP0964180	29.17	10	AP8112176	28.09	13
AP0642051	29.12	5	AP0977490	31.20	10	AP8112244	28.09	15
AP0642051	29.17	18	AP8101106	28.08	6	AP8112290	28.09	24
AP0650090	29.13	1	AP8101271	28.08	9	AP8112402	28.09	49
AP0650091	29.13	1	AP8101284	29.05	26	AP8112413	28.09	23
AP0650092	29.13	1	AP8101285	29.05	27	AP8112460	28.09	32
AP0650097	29.13	1	AP8101341	28.04	3	AP8112523	28.09	17
AP0827261	29.14	22	AP8101744	28.06	7	AP8112567	28.09	42
AP0827265	29.17	1	AP8101744	28.07	2	AP8112568	28.09	43
AP0827590	29.11	26	AP8101819	28.06	8	AP8112568	28.09	43
AP0827590	29.12	13	AP8101910	28.01	38	AP8112599	28.09	29
AP0831500	29.13	7	AP8101912	28.01	37	AP8112612	28.09	43
AP0840510	29.16	23	AP8101916	28.01	41	AP8112687	28.09	3
AP0840681	31.20	13	AP8101924	28.01	49	AP8112710	28.03	27
AP0840836	29.11	36	AP8101944	28.01	62	AP8112756	28.09	8
AP0840861	29.13	40	AP8101945	28.04	14	AP8112802	28.03	10
AP0840861	29.17	23	AP8102080	29.05	12	AP8112811	28.09	12
AP0841561	29.11	20	AP8102106	28.02	32	AP8112811	28.09	14
AP0841680	29.16	8	AP8102112	28.01	23	AP8112833	28.09	48
AP0845020	29.13	13	AP8102118	28.01	36	AP8112846	28.09	21
AP0847160	31.20	7	AP8102223	28.01	63	AP8112916	28.09	11
AP0853840	29.16	26	AP8102224	28.01	61	AP8112961	28.09	4
AP0860372	29.11	34	AP8102228	28.02	2	AP8113003	28.03	13
AP0860460	29.13	12	AP8102233	28.02	42	AP8113003	28.07	20
AP0866708	29.17	12	AP8102296	28.07	4	AP8113004	28.03	14

Code	Drawing Nr.	Pos.	Code	Drawing Nr.	Pos.	Code	Drawing Nr.	Pos.
AP8113004	28.07	21	AP8120502	28.01	29	AP8121835	28.07	26
AP8113006	28.06	12	AP8120508	28.01	50	AP8121845	28.04	25
AP8113006	28.07	40	AP8120531	28.02	33	AP8121846	28.04	21
AP8113117	28.07	39	AP8120557	28.02	19	AP8121847	28.04	24
AP8113198	28.07	47	AP8120568	28.01	11	AP8121852	28.07	22
AP8113237	28.07	18	AP8120569	28.01	31	AP8121867	28.02	62
AP8113241	28.03	44	AP8120573	28.01	25	AP8121892	28.03	43
AP8113254	28.07	42	AP8120582	28.09	18	AP8121939	28.01	18
AP8113280	28.03	44	AP8120598	28.02	49	AP8121940	28.01	19
AP8113309	28.06	13	AP8120670	28.01	57	AP8123191	28.08	19
AP8113310	28.06	15	AP8120699	28.02	15	AP8123199	28.08	26
AP8113322	28.07	44	AP8120702	28.02	9	AP8123203	28.08	21
AP8113439	28.03	39	AP8120708	28.02	52	AP8123216	28.08	20
AP8113468	28.06	10	AP8120708	29.05	18	AP8123256	28.08	24
AP8113489	28.06	14	AP8120709	28.02	12	AP8123315	28.08	22
AP8113509	28.03	15	AP8120712	28.02	48	AP8123316	28.08	12
AP8113510	28.07	19	AP8120721	28.09	9	AP8123357	28.08	15
AP8113530	28.06	11	AP8120748	29.05	14	AP8123441	28.08	14
AP8113567	28.06	10	AP8120754	28.09	12	AP8123514	28.08	11
AP8113596	28.07	35	AP8120754	28.09	14	AP8123553	28.03	18
AP8113602	28.07	37	AP8120783	29.05	13	AP8123632	28.08	17
AP8113617	28.03	16	AP8120786	28.01	53	AP8123633	28.08	16
AP8113628	28.07	18	AP8120787	28.01	39	AP8123663	28.04	8
AP8113651	28.07	36	AP8120788	28.01	40	AP8123666	28.08	3
AP8114175	29.13	11	AP8120790	28.01	35	AP8123691	28.08	18
AP8114321	28.03	22	AP8120792	28.07	10	AP8123692	28.08	10
AP8114331	28.03	25	AP8120793	28.04	15	AP8123693	28.08	1
AP8114334	28.03	21	AP8120794	28.04	16	AP8123777	28.08	23
AP8114336	28.03	38	AP8120796	28.02	14	AP8124006	28.09	37
AP8114336	28.03	38	AP8120806	28.07	31	AP8124075	28.09	7
AP8114364	28.03	26	AP8120807	28.07	30	AP8124117	28.09	16
AP8114364	28.03	26	AP8120810	29.05	13	AP8124119	28.09	6
AP8115753	28.10	8	AP8120812	29.05	28	AP8124141	28.09	33
AP8115973	28.10	6	AP8120815	28.02	5	AP8124152	28.03	20
AP8118233	28.03	8	AP8120910	29.05	21	AP8124171	28.03	17
AP8118287	28.03	5	AP8120965	28.02	34	AP8124173	28.03	28
AP8118287	28.03	5	AP8121058	29.05	20	AP8124174	28.09	4
AP8118307	28.03	4	AP8121091	29.05	24	AP8124190	28.03	17
AP8118307	28.03	4	AP8121114	28.01	28	AP8124190	28.03	17
AP8118308	28.03	9	AP8121114	28.02	26	AP8124194	28.03	50
AP8118324	28.03	2	AP8121118	28.07	27	AP8124195	28.03	42
AP8118343	28.03	1	AP8121121	28.04	5	AP8124197	28.03	12
AP8118420	28.03	24	AP8121133	28.01	58	AP8124198	28.03	32
AP8118420	28.03	24	AP8121134	28.01	17	AP8124210	28.09	1
AP8118420	28.03	24	AP8121135	28.01	16	AP8124224	28.03	30
AP8118432	28.03	7	AP8121147	28.07	24	AP8124226	28.03	49
AP8118439	28.03	6	AP8121147	29.05	5	AP8124227	28.03	34
AP8118460	28.03	41	AP8121150	28.01	8	AP8124228	28.03	33
AP8118482	28.03	24	AP8121156	28.01	7	AP8124229	28.03	37
AP8118493	28.03	4	AP8121157	28.06	2	AP8124230	28.03	29
AP8118497	28.03	5	AP8121284	28.07	25	AP8124230	28.03	29
AP8119314	29.05	22	AP8121284	29.05	6	AP8124235	28.09	2
AP8119314	29.05	22	AP8121303	28.02	51	AP8124252	28.03	47
AP8119327	29.05	36	AP8121668	29.05	7	AP8124253	28.03	31
AP8119349	29.05	23	AP8121668	29.05	7	AP8124254	28.03	48
AP8119349	29.05	23	AP8121672	28.01	10	AP8124255	28.03	19
AP8119351	29.05	22	AP8121695	28.01	30	AP8124399	28.09	19
AP8120030	28.01	44	AP8121696	28.01	13	AP8124468	28.03	17
AP8120177	28.02	43	AP8121697	28.07	33	AP8124468	28.03	17
AP8120218	28.09	36	AP8121697	29.05	30	AP8124468	28.03	17
AP8120223	28.02	40	AP8121728	28.01	51	AP8124477	28.03	30
AP8120275	28.01	34	AP8121736	28.09	45	AP8124479	28.07	32
AP8120280	28.04	7	AP8121764	28.01	56	AP8124486	28.03	30
AP8120405	28.09	44	AP8121795	28.09	10	AP8124487	28.09	22
AP8120405	29.05	19	AP8121798	28.09	38	AP8125388	28.06	3
AP8120467	28.03	23	AP8121803	28.02	3	AP8125418	28.06	4
AP8120485	28.04	11	AP8121819	28.02	7	AP8125469	28.06	6

Code	Drawing Nr.	Pos.	Code	Drawing Nr.	Pos.	Code	Drawing Nr.	Pos.
AP8125627	28.04	2	AP8134429	28.07	8	AP8139075	28.02	29
AP8125628	28.07	11	AP8134476	28.01	12	AP8139076	28.02	21
AP8125631	28.07	5	AP8134512	28.01	27	AP8139086	28.02	13
AP8125635	28.07	7	AP8135289	29.05	25	AP8139436	28.02	13
AP8125636	28.07	28	AP8135307	28.02	37	AP8139437	28.02	29
AP8125637	28.07	9	AP8135313	28.01	14	AP8139438	28.02	27
AP8125638	28.07	16	AP8135354	28.01	45	AP8139439	28.02	28
AP8125639	28.07	15	AP8135362	28.04	10	AP8139440	28.02	21
AP8125644	28.06	5	AP8135374	28.01	59	AP8139441	28.02	53
AP8125645	28.07	13	AP8135381	28.01	60	AP8139442	28.02	36
AP8125646	28.07	14	AP8135396	28.04	12	AP8139443	28.02	54
AP8125646	28.07	46	AP8135403	28.01	43	AP8139451	28.02	13
AP8125647	28.07	34	AP8135430	29.05	8	AP8139452	28.02	29
AP8125763	28.07	6	AP8135430	29.05	8	AP8139453	28.02	27
AP8126356	28.02	6	AP8135442	28.01	42	AP8139454	28.02	28
AP8126385	28.02	47	AP8135443	28.01	15	AP8139455	28.02	21
AP8126501	28.02	45	AP8135444	28.01	20	AP8146137	28.01	26
AP8126510	28.02	41	AP8135445	28.01	21	AP8146142	28.02	58
AP8126538	28.02	41	AP8135448	28.09	35	AP8147063	28.10	1
AP8126613	28.02	41	AP8135464	28.01	27	AP8147064	28.10	2
AP8126666	28.02	41	AP8135492	29.05	35	AP8147065	28.10	3
AP8126670	28.02	41	AP8135785	28.01	4	AP8147066	28.10	4
AP8129118	28.02	16	AP8135858	28.01	26	AP8147067	28.10	5
AP8129118	28.02	16	AP8135942	28.01	3	AP8147071	28.10	1
AP8129154	28.02	44	AP8135961	28.04	1	AP8147072	28.10	2
AP8129154	28.02	44	AP8135973	28.02	58	AP8147073	28.10	3
AP8129173	28.02	17	AP8135973	28.02	58	AP8147074	28.10	4
AP8129173	28.02	17	AP8135973	28.02	58	AP8147310	28.10	6
AP8129176	28.02	17	AP8135997	28.01	1	AP8147392	28.10	1
AP8129176	28.02	17	AP8137248	28.10	6	AP8147393	28.10	1
AP8129177	28.02	17	AP8137248	28.10	6	AP8147394	28.10	2
AP8129179	28.02	17	AP8137248	28.10	7	AP8147395	28.10	2
AP8129190	28.02	44	AP8137306	28.10	6	AP8147396	28.10	3
AP8129209	28.02	16	AP8137635	28.10	6	AP8147397	28.10	3
AP8129214	28.02	44	AP8137646	28.09	26	AP8147398	28.10	4
AP8129218	28.02	17	AP8137647	28.09	27	AP8147399	28.10	4
AP8129234	28.02	17	AP8137706	28.10	6	AP8147497	28.10	7
AP8129236	28.02	16	AP8138083	28.02	53	AP8147847	28.10	1
AP8131121	29.05	16	AP8138085	28.02	36	AP8147848	28.10	1
AP8131176	28.03	35	AP8138302	28.02	22	AP8147849	28.10	2
AP8131256	28.09	30	AP8138303	28.02	50	AP8147850	28.10	2
AP8131470	29.05	17	AP8138304	28.02	38	AP8147851	28.10	3
AP8131605	28.02	1	AP8138469	28.02	30	AP8147852	28.10	3
AP8131606	28.01	46	AP8138482	28.02	29	AP8147853	28.10	4
AP8131623	28.04	17	AP8138484	28.02	28	AP8147854	28.10	4
AP8131626	29.05	15	AP8138485	28.02	54	AP8150049	28.03	52
AP8131733	28.02	55	AP8138547	28.02	27	AP8150157	28.03	51
AP8131734	28.02	56	AP8138655	28.02	13	AP8150158	28.02	71
AP8131739	28.09	25	AP8138656	28.02	29	AP8150178	28.02	67
AP8131916	28.02	31	AP8138657	28.02	28	AP8150208	28.06	16
AP8132634	28.04	9	AP8138658	28.02	27	AP8150248	28.02	69
AP8132635	28.07	23	AP8138659	28.02	21	AP8150277	29.05	33
AP8132720	28.01	24	AP8138681	28.02	53	AP8150299	28.04	6
AP8132812	28.01	22	AP8138682	28.02	54	AP8150299	28.08	4
AP8132869	28.09	46	AP8138683	28.02	36	AP8150346	28.04	18
AP8134243	28.02	60	AP8138686	29.05	17	AP8150352	28.08	2
AP8134250	28.01	54	AP8138701	28.02	28	AP8150420	28.02	70
AP8134257	28.02	46	AP8138707	28.02	13	AP8150450	28.02	72
AP8134260	28.01	9	AP8138719	28.02	28	AP8152060	28.07	45
AP8134261	28.01	55	AP8138760	28.02	21	AP8152063	28.04	19
AP8134262	29.05	31	AP8139049	28.02	53	AP8152153	28.02	11
AP8134263	28.02	35	AP8139050	28.02	54	AP8152246	28.02	68
AP8134266	28.01	6	AP8139051	28.02	36	AP8152261	28.04	22
AP8134272	28.02	35	AP8139071	28.02	13	AP8152262	28.04	23
AP8134335	28.09	20	AP8139072	28.02	27	AP8152267	28.03	36
AP8134348	28.09	5	AP8139073	28.02	28	AP8152268	28.02	66
AP8134403	28.02	57	AP8139074	28.02	28	AP8152269	28.02	63

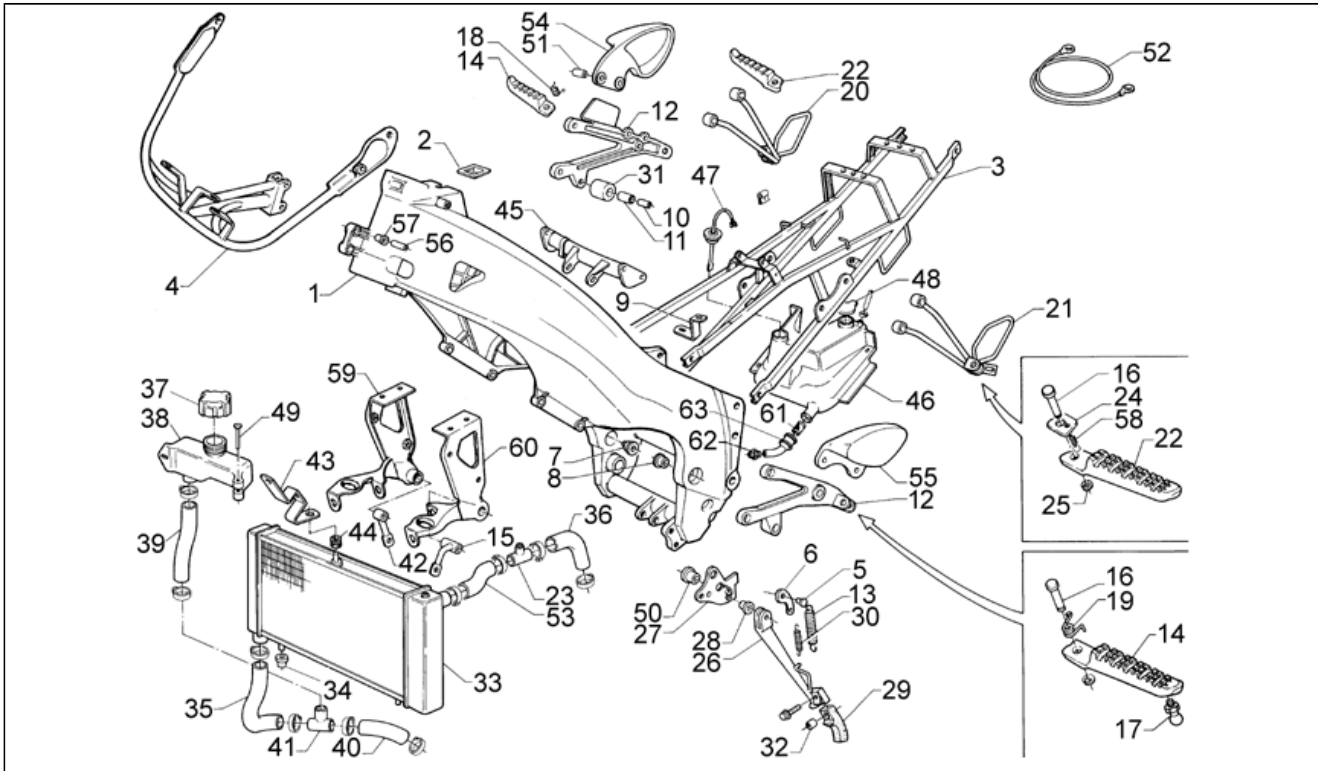
Code	Drawing Nr.	Pos.
AP8152286	28.06	17
AP8152298	28.02	65
AP8201192	28.01	47
AP8201215	28.09	40
AP8201287	28.02	61
AP8201564	28.03	45
AP8203550	28.08	5
AP8203570	28.08	13
AP8210007	28.07	17
AP8210007	29.05	9
AP8212679	28.09	31
AP8212702	28.09	41
AP8213078	28.03	40
AP8213086	28.07	29
AP8218077	28.03	11
AP8220154	28.01	48
AP8220185	28.09	47
AP8220189	29.05	4
AP8220201	28.09	34
AP8220331	28.02	59
AP8220347	28.02	39
AP8220421	28.01	48
AP8221017	28.01	32
AP8221035	28.09	39
AP8221074	28.07	43
AP8221106	28.02	18
AP8221171	28.01	5
AP8221176	28.02	4
AP8232524	29.05	34

Assembly	FRAME
Code	28.01
Description	Frame
Revision	1



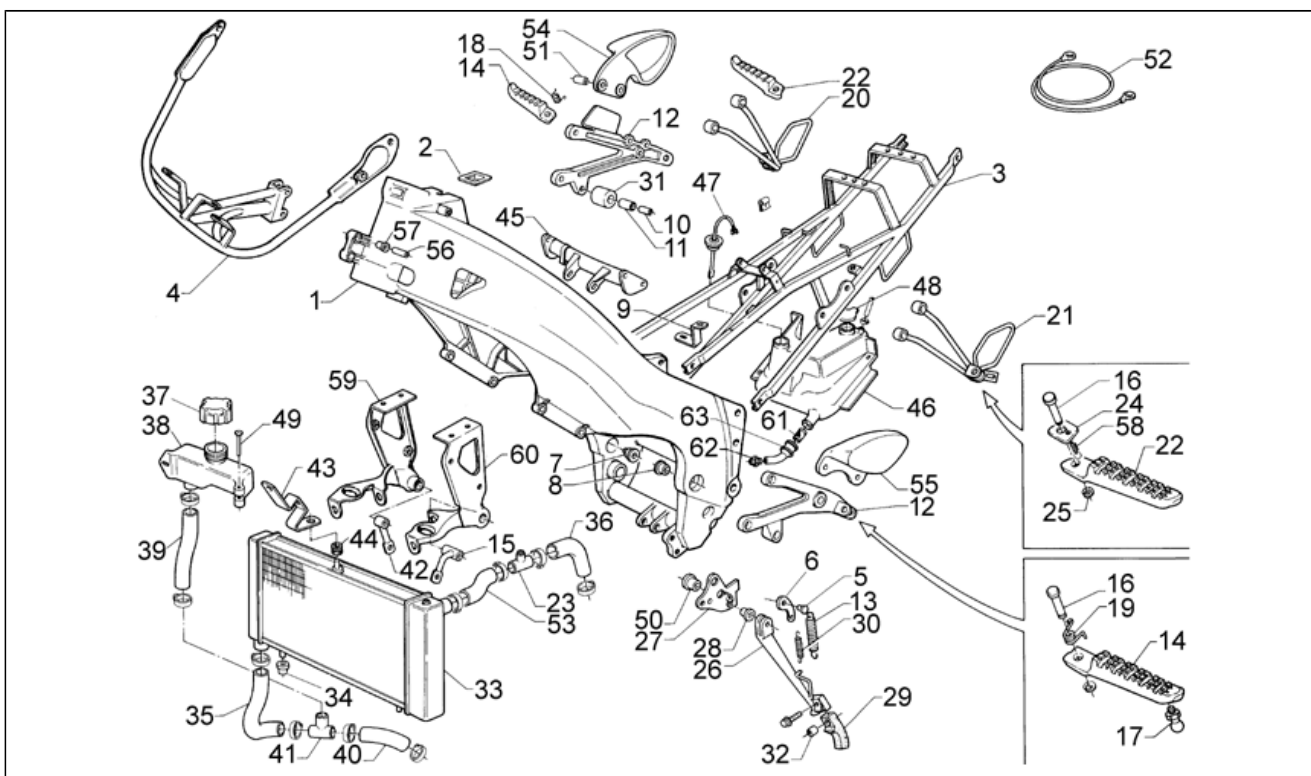
Pos.	Code	Description	Q.ty	Variants
1	AP8135997	Frame	1	
2	AP8102798	Clip M6	1	
3	AP8135942	Saddle support, sand. cat.	1	
4	AP8135785	San.cat.inst.h.frame	1	
5	AP8221171	Spacer *	1	
6	AP8134266	Lateral stand plate	1	
7	AP8121156	Bush	1	
8	AP8121150	Bush 18mm	1	
9	AP8134260	Filter housing plate	1	
10	AP8121672	Spacer *	1	
11	AP8120568	Spacer *	1	
12	AP8134476	Footrests bracket	1	
13	AP8121696	Coil pull spring *	1	
14	AP8135313	Front footrest, pair	1	
15	AP8135443	LH engine support	1	
16	AP8121135	Footrest pin	2	
17	AP8121134	Pin	2	
18	AP8121939	RH front footrest spring	1	
19	AP8121940	LH front footrest spring	1	
20	AP8135444	RH footrest support	1	
21	AP8135445	LH footrest support	1	
22	AP8132812	Rear footrests, pair	1	
23	AP8102112	Breather pipe union	1	
24	AP8132720	Footrest plate	2	
25	AP8120573	Stop ring	4	
26	AP8135858	Lateral stand	1	Country:Switzerland[CH], Singapore[SGP]

Assembly	FRAME
Code	28.01
Description	Frame
Revision	1



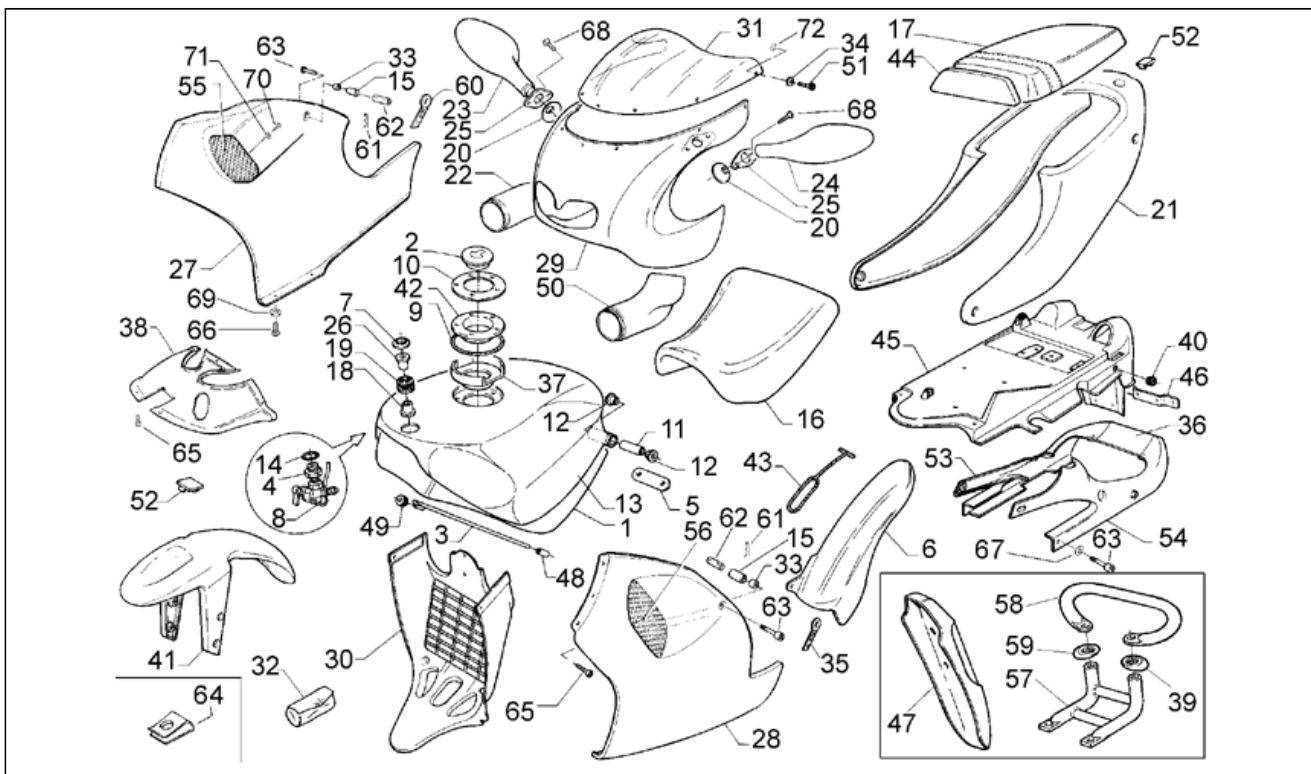
Pos.	Code	Description	Q.ty	Variants
26	AP8146137	Lateral stand, phor.	1	Country:Germany[D], Denmark[DK], Spain[E], France[F], Japan[J], Holland[NL], Portugal[P], Poland[PL], Finland[SF], Great Britain[UK]
27	AP8134512	Stand plate	1	year:1998[W]
27	AP8135464	Stand plate	1	year:1996[T], 1997[V]
28	AP8121114	T bush *	1	
29	AP8120502	Rubber stand	1	
30	AP8121695	Coil pull spring *	1	
31	AP8120569	Chain tensioner roller	1	
32	AP8221017	Spacer *	1	
33	AP8102704	Water cooler	1	
34	AP8120275	Silent-block *	2	
35	AP8120790	Tee union	1	
36	AP8102118	Head tube union	1	
37	AP8101912	Rad cap no vent	1	
38	AP8101910	Expansion tank	1	
39	AP8120787	Expansion tank hose	1	
40	AP8120788	Pump connection hose	1	
41	AP8101916	Tee union D20	1	
42	AP8135442	RH engine support	1	
43	AP8135403	Water cooler upper support	1	
44	AP8120030	Rubber spacer *	1	
45	AP8135354	Snd.cat.frame fix.plate	1	
46	AP8131606	Oil tank	1	
47	AP8201192	Oil reserve indicator	1	
48	AP8220154	Oil filler cap	1	year:1996[T], 1997[V]
48	AP8220421	Oil filler cap	1	year:1998[W]
49	AP8101924	Drilled crow.head rivet	1	

Assembly	FRAME
Code	28.01
Description	Frame
Revision	1



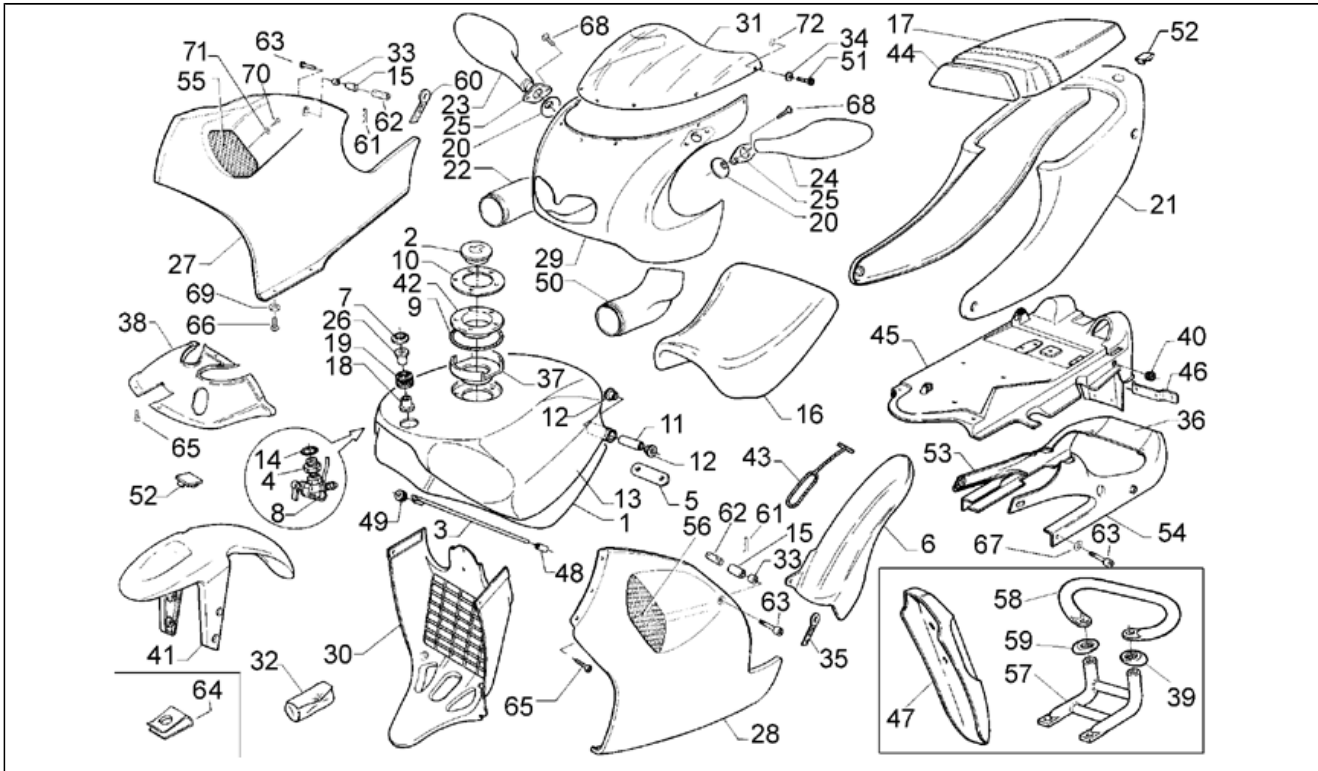
Pos.	Code	Description	Q.ty	Variants
50	AP8120508	T bush *	1	
51	AP8121728	T bush *	2	
52	AP8102502	Helmet lock cable	1	
53	AP8120786	Water cooler hose union	1	
54	AP8134250	RH front footrest guard, grey	1	
55	AP8134261	LH front footrest guard, grey	1	
56	AP8121764	Spacer *	1	
57	AP8120670	Rubber spacer *	1	
58	AP8121133	Coil compress. spring *	2	
59	AP8135374	Front RH eng. plate	1	
60	AP8135381	Front LH eng. plate	1	
61	AP8102224	Mixer oil filter	1	
62	AP8101944	2-way union	1	
63	AP8102223	Rubber spacer *	1	

Assembly	FRAME
Code	28.02
Description	Body
Revision	1



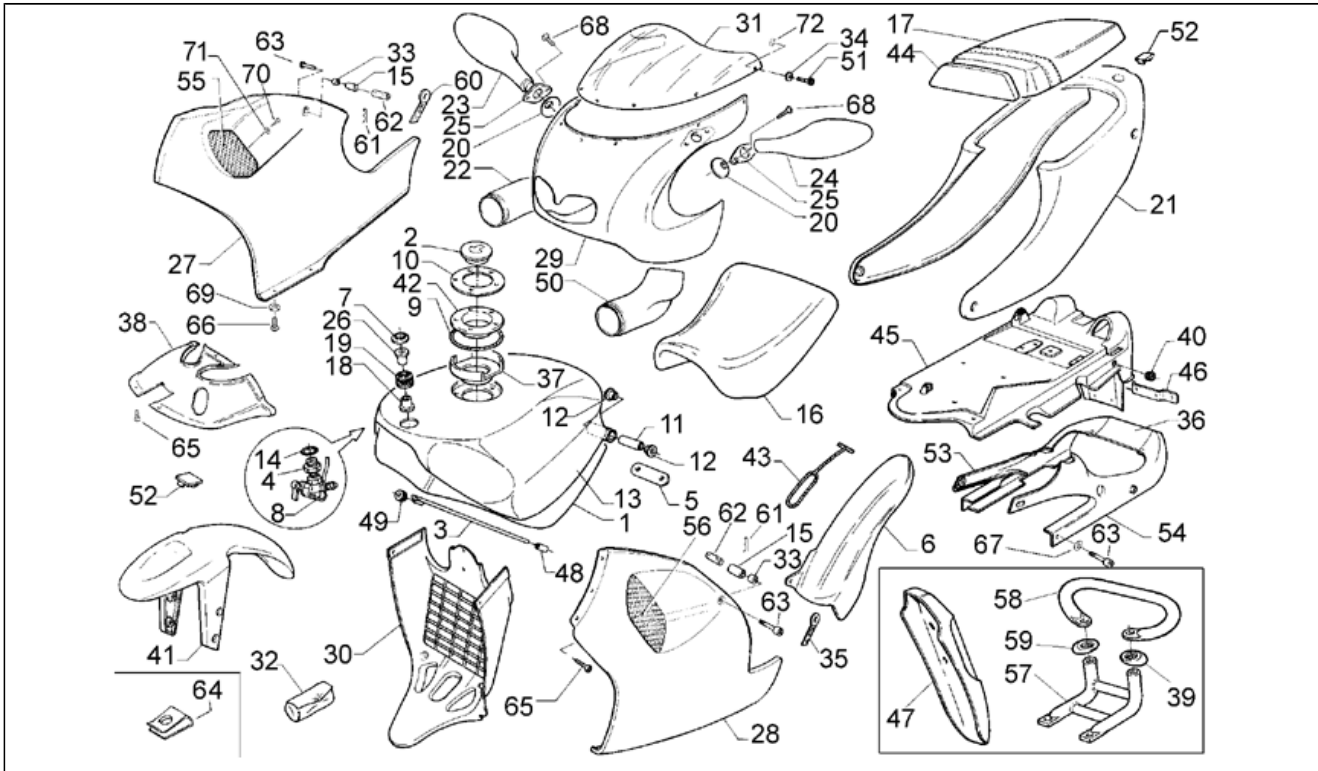
Pos.	Code	Description	Q.ty	Variants
1	AP8131605	Fuel tank	1	
2	AP8102228	Crom.tank plug	1	
3	AP8121803	Fuel tank fastener rod	1	
4	AP8221176	Fuel tap union	1	
5	AP8120815	Fuel tank spacer	1	
6	AP8126356	Low mudguard, black	1	
7	AP8121819	Washer 6,5x12,5*	1	
8	AP8102802	Fuel cock	1	
9	AP8120702	Filler cap gasket	1	
10	AP8102361	Ring nut fuel filler cap	1	
11	AP8152153	Rear spacer	1	
12	AP8120709	Rubber spacer *	2	
13	AP8138655	Fuel tank cover, grey	1	year: 1996[T] Color:Mirage Grey 1996[Gr.m]
13	AP8138707	Fuel tank cover, bl./gr.	1	year: 1996[T] Color:Black 1996-1998[black]
13	AP8139071	Fuel tank cover, grey	1	year: 1997[V] Color:Silver Grey 1997[Gr.s]
13	AP8139086	Fuel tank cover, black	1	year: 1997[V] Color:Black 1996-1998[black]
13	AP8139436	Fuel tank cover, blue	1	year: 1998[W] Color:Grey/Red/Blu Valentino Rossi 1998[rossi]
13	AP8139451	Fuel tank cover, black	1	year: 1998[W] Color:Black 1996-1998[black]
14	AP8120796	O-ring 3050	1	
15	AP8120699	Lat.frng fix.pipe	2	
16	AP8129118	Driver saddle, black	1	year: 1996[T] Color:Mirage Grey 1996[Gr.m]
16	AP8129118	Driver saddle, black	1	year: 1996[T], 1997[V], 1998[W] Color:Black 1996-1998[black]

Assembly	FRAME
Code	28.02
Description	Body
Revision	1



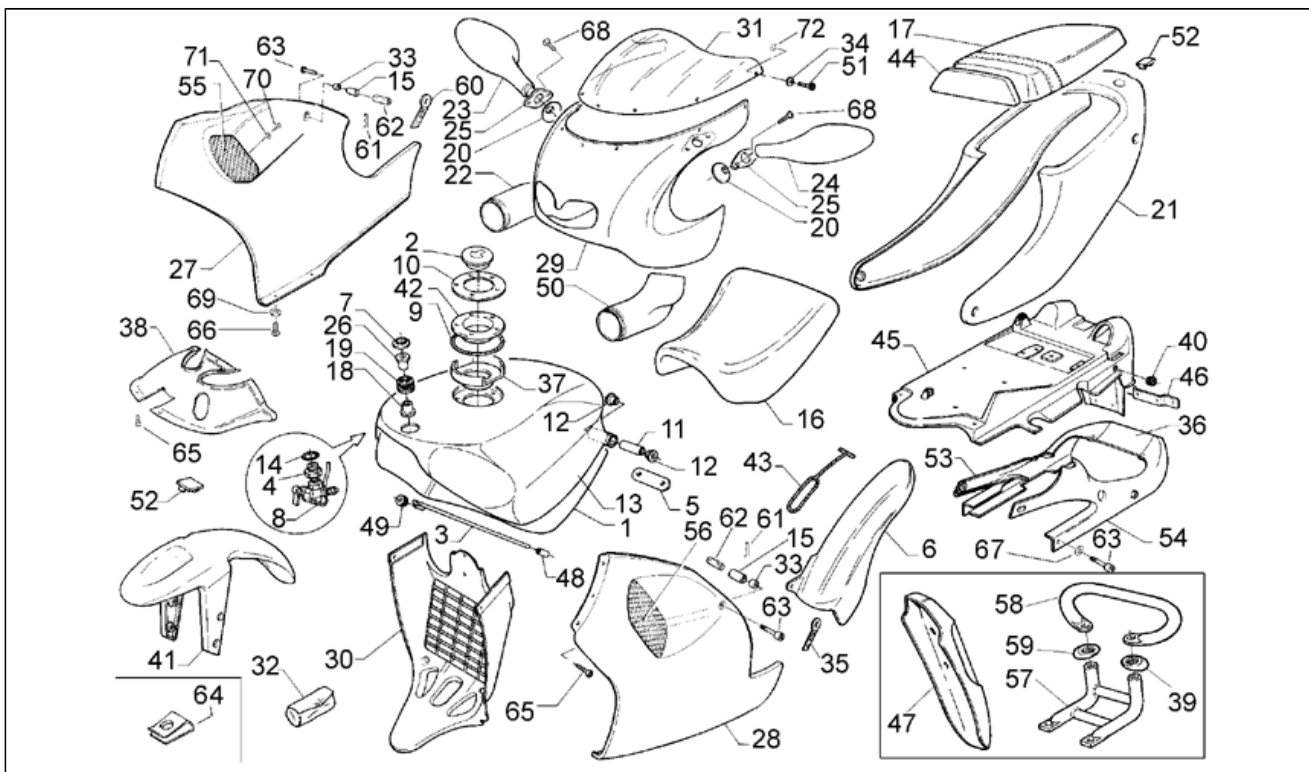
Pos.	Code	Description	Q.ty	Variants
16	AP8129209	Driver saddle, red	1	year: 1997[V] Color: Silver Grey 1997[Gr.s]
16	AP8129236	Driver saddle, red	1	year: 1998[W] Color: Grey/Red/Blu Valentino Rossi 1998[rossi]
17	AP8129173	Rear saddle, grey (no belt)	1	year: 1997[V] Color: Silver Grey 1997[Gr.s] Country: Denmark[DK], Spain[E], France[F], Japan[J], Holland[NL], Portugal[P], Poland[PL], Finland[SF], Singapore[SGP], Great Britain[UK]
17	AP8129173	Rear saddle, grey (no belt)	1	year: 1996[T] Color: Mirage Grey 1996[Gr.m] Country: Denmark[DK], Spain[E], France[F], Japan[J], Holland[NL], Portugal[P], Poland[PL], Finland[SF], Singapore[SGP], Great Britain[UK]
17	AP8129176	Long rear saddle, grey	1	year: 1996[T] Color: Mirage Grey 1996[Gr.m] Country: Switzerland[CH], Germany[D]
17	AP8129176	Long rear saddle, grey	1	year: 1997[V] Color: Silver Grey 1997[Gr.s] Country: Switzerland[CH], Germany[D]
17	AP8129177	Long rear saddle, black	1	year: 1996[T], 1997[V] Color: Black 1996-1998[black] Country: Switzerland[CH], Germany[D]
17	AP8129179	Rear saddle, black (no belt)	1	year: 1996[T], 1997[V] Color: Black 1996-1998[black] Country: Denmark[DK], Spain[E], France[F], Japan[J], Holland[NL], Portugal[P], Poland[PL], Finland[SF], Singapore[SGP], Great Britain[UK]
17	AP8129218	Rear saddle, black (no belt)	1	year: 1998[W] Color: Black 1996-1998[black] Country: Spain[E]
17	AP8129234	Rear saddle, grey (no belt)	1	year: 1998[W] Color: Grey/Red/Blu Valentino Rossi 1998[rossi] Country: Spain[E]

Assembly	FRAME
Code	28.02
Description	Body
Revision	1



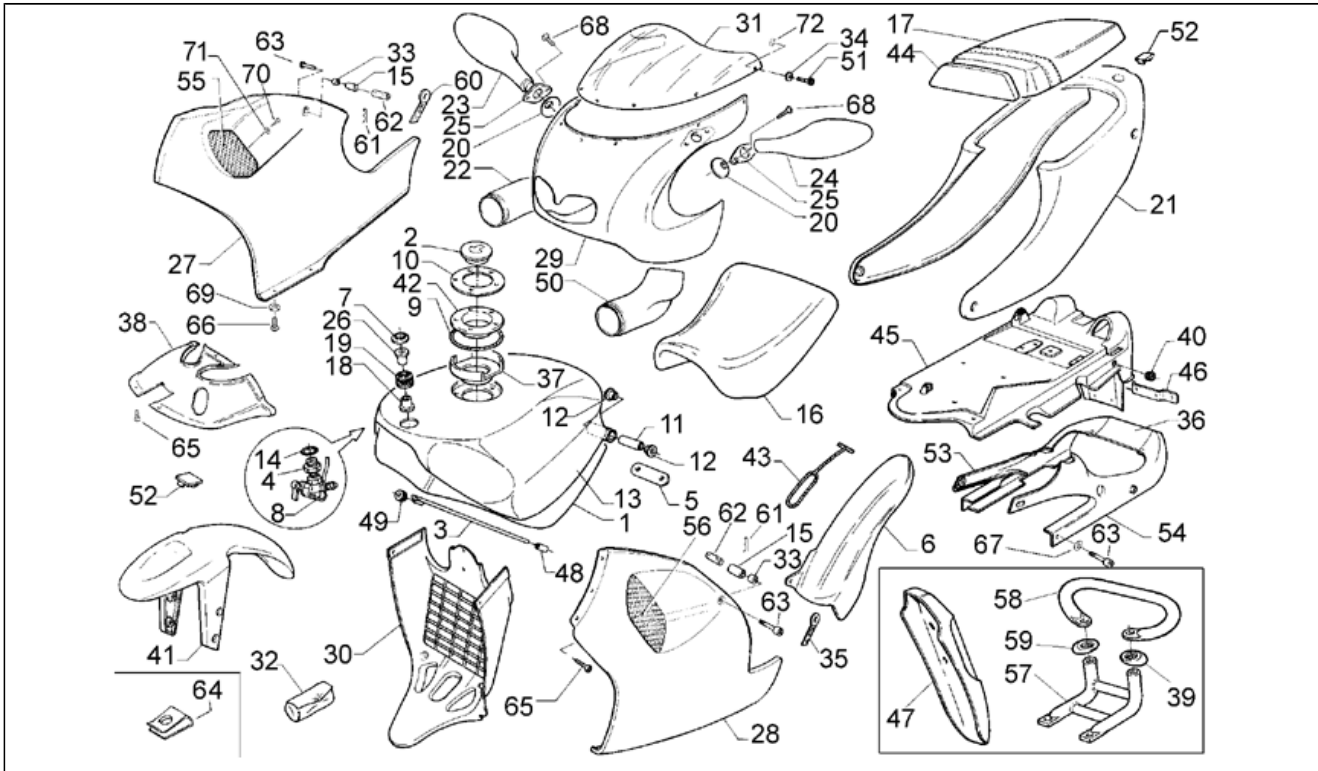
Pos.	Code	Description	Q.ty	Variants
18	AP8221106	Rear brake lever bush	1	
19	AP8120557	Tank rubber	1	
20	AP8102341	Mirror joint cup	2	
21	AP8138659	Rear fairing, m.grey	1	year: 1996[T] Color:Mirage Grey 1996[Gr.m]
21	AP8138760	Rear fairing, black	1	year: 1996[T], 1997[V] Color:Black 1996-1998[black]
21	AP8139076	Rear fairing, s. grey	1	year: 1997[V] Color:Silver Grey 1997[Gr.s]
21	AP8139440	Rear fairing, grey/blue	1	year: 1998[W] Color:Grey/Red/Blu Valentino Rossi 1998[rossi]
21	AP8139455	Rear fairing, black	1	year: 1998[W] Color:Black 1996-1998[black]
22	AP8138302	RH air duct	1	
23	AP8102632	RH rearview mirror	1	year:1998[W]
23	AP8102705	RH rearview mirror	1	year:1996[T], 1997[V]
24	AP8102633	LH rearview mirror	1	year:1998[W]
24	AP8102706	LH rearview mirror	1	year:1996[T], 1997[V]
25	AP8102801	Mirror insertion kit	1	
26	AP8121114	T bush *	1	
27	AP8138547	RH side panel, black	1	year: 1996[T], 1997[V] Color:Black 1996-1998[black]
27	AP8138658	RH side panel, m.grey	1	year: 1996[T] Color:Mirage Grey 1996[Gr.m]
27	AP8139072	RH side panel, s.grey	1	year: 1997[V] Color:Silver Grey 1997[Gr.s]
27	AP8139438	RH side panel, red	1	year: 1998[W] Color:Grey/Red/Blu Valentino Rossi 1998[rossi]
27	AP8139453	RH side panel, black	1	year: 1998[W] Color:Black 1996-1998[black]
28	AP8138484	LH side panel, black	1	year: 1996[T], 1997[V]

Assembly	FRAME
Code	28.02
Description	Body
Revision	1



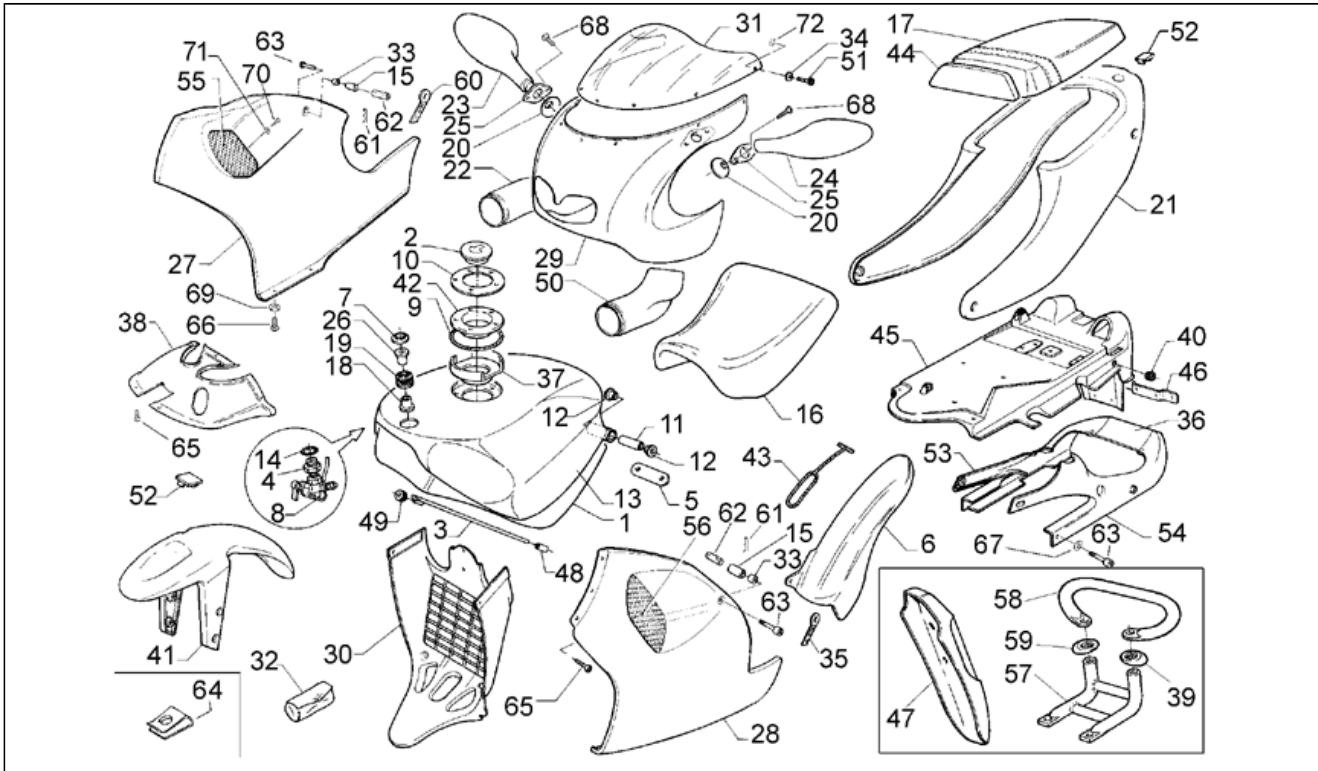
Pos.	Code	Description	Q.ty	Variants
				Color: Black 1996-1998[black] Country: Germany[D], Denmark[DK], Spain[E], France[F], Japan[J], Holland[NL], Portugal[P], Poland[PL], Finland[SF], Great Britain[UK]
28	AP8138657	LH side panel, m.grey	1	year: 1996[T] Color: Mirage Grey 1996[Gr.m] Country: Germany[D], Denmark[DK], Spain[E], France[F], Japan[J], Holland[NL], Portugal[P], Poland[PL], Finland[SF], Great Britain[UK]
28	AP8138701	LH hol.pun.panel, grey	1	year: 1996[T] Color: Mirage Grey 1996[Gr.m] Country: Switzerland[CH], Singapore[SGP]
28	AP8138719	LH hol.pun.panel, black	1	year: 1996[T], 1997[V] Color: Black 1996-1998[black] Country: Switzerland[CH], Singapore[SGP]
28	AP8139073	LH side panel, s.grey	1	year: 1997[V] Color: Silver Grey 1997[Gr.s] Country: Germany[D], Denmark[DK], Spain[E], France[F], Japan[J], Holland[NL], Portugal[P], Poland[PL], Finland[SF], Great Britain[UK]
28	AP8139074	LH hol.pun.panel, grey	1	year: 1997[V] Color: Silver Grey 1997[Gr.s] Country: Switzerland[CH], Singapore[SGP]
28	AP8139439	LH side panel, red	1	year: 1998[W] Color: Grey/Red/Blu Valentino Rossi 1998[rossi] Country: Spain[E]
28	AP8139454	LH side panel, black	1	year: 1998[W] Color: Black 1996-1998[black] Country: Spain[E]
29	AP8138482	Front fairing, black	1	year: 1996[T], 1997[V] Color: Black 1996-1998[black]
29	AP8138656	Front fairing, m.grey	1	year: 1996[T] Color: Mirage Grey 1996[Gr.m]
29	AP8139075	Front fairing, s.grey	1	year: 1997[V]

Assembly	FRAME
Code	28.02
Description	Body
Revision	1



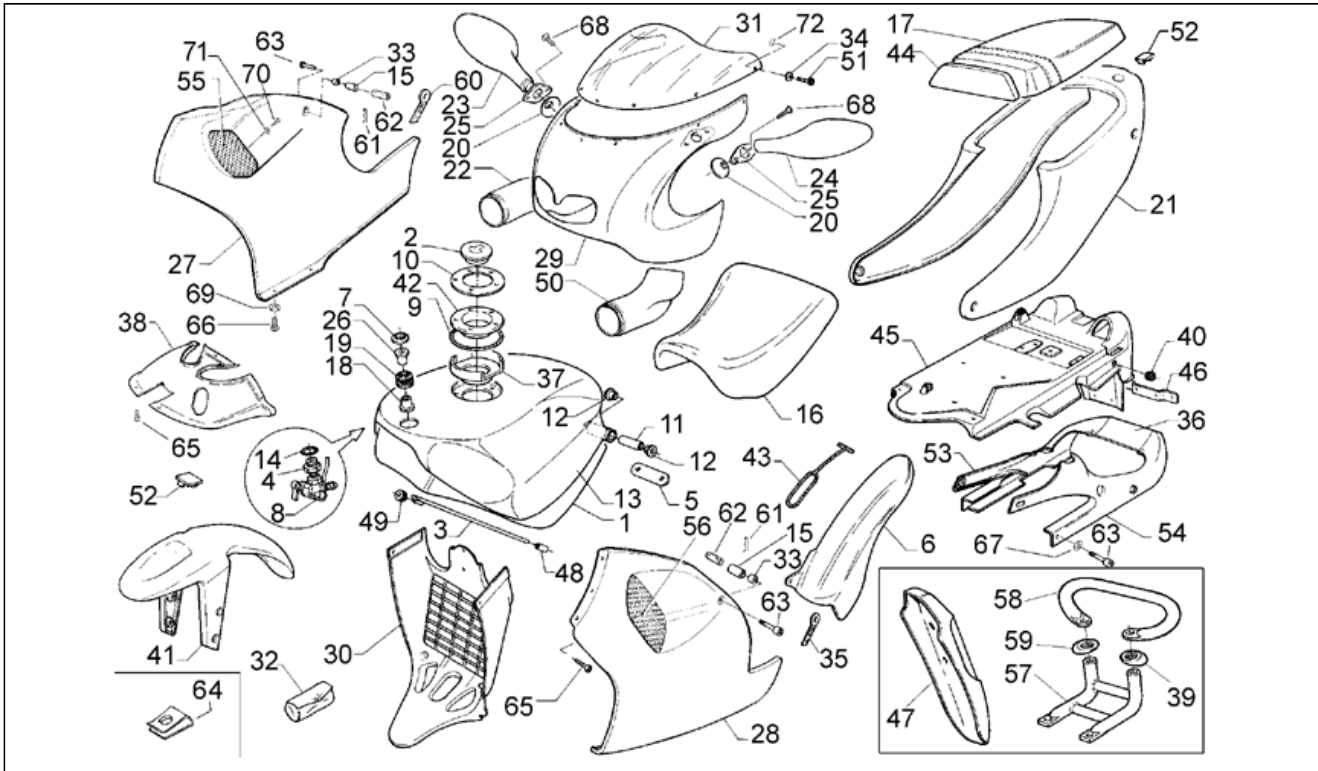
Pos.	Code	Description	Q.ty	Variants
				Color:Silver Grey 1997[Gr.s]
29	AP8139437	Front fairing, blue/grey	1	year: 1998[W] Color:Grey/Red/Blu Valentino Rossi 1998[rossi]
29	AP8139452	Front fairing, black	1	year: 1998[W] Color:Black 1996-1998[black]
30	AP8138469	Water cooler shield, black	1	
31	AP8131916	Windshield	1	
32	AP8102106	Toolkit	1	
33	AP8120531	Rubber w/ insert *	2	
34	AP8120965	O-ring 2018	0	
35	AP8134263	Lower plate fairing	1	Country:Germany[D], Denmark[DK], Spain[E], France[F], Japan[J], Holland[NL], Portugal[P], Poland[PL], Finland[SF], Great Britain[UK]
35	AP8134272	Lower plate fairing	1	Country:Switzerland[CH], Singapore[SGP]
36	AP8138085	Centr.saddle sup cov., black	1	year: 1996[T], 1997[V] Color:Black 1996-1998[black]
36	AP8138683	Centr.saddle sup cov., grey	1	year: 1996[T] Color:Mirage Grey 1996[Gr.m]
36	AP8139051	Centr.saddle sup cov.,s.grey	1	year: 1997[V] Color:Silver Grey 1997[Gr.s]
36	AP8139442	Centr.saddle sup cov., grey	1	year:1998[W]
37	AP8135307	Fuel tank union	1	Country:Switzerland[CH], Singapore[SGP]
38	AP8138304	Low.front fairing lockup	1	
39	AP8220347	RH mirror rubber	1	
40	AP8120223	Rubber spacer *	1	
41	AP8126510	Front mudguard, black	1	year: 1996[T], 1997[V] Color:Black 1996-1998[black]
41	AP8126538	Front mudguard, m. grey	1	year: 1996[T] Color:Mirage Grey 1996[Gr.m]
41	AP8126613	Front mudguard, s.grey	1	year: 1997[V] Color:Silver Grey 1997[Gr.s]

Assembly	FRAME
Code	28.02
Description	Body
Revision	1



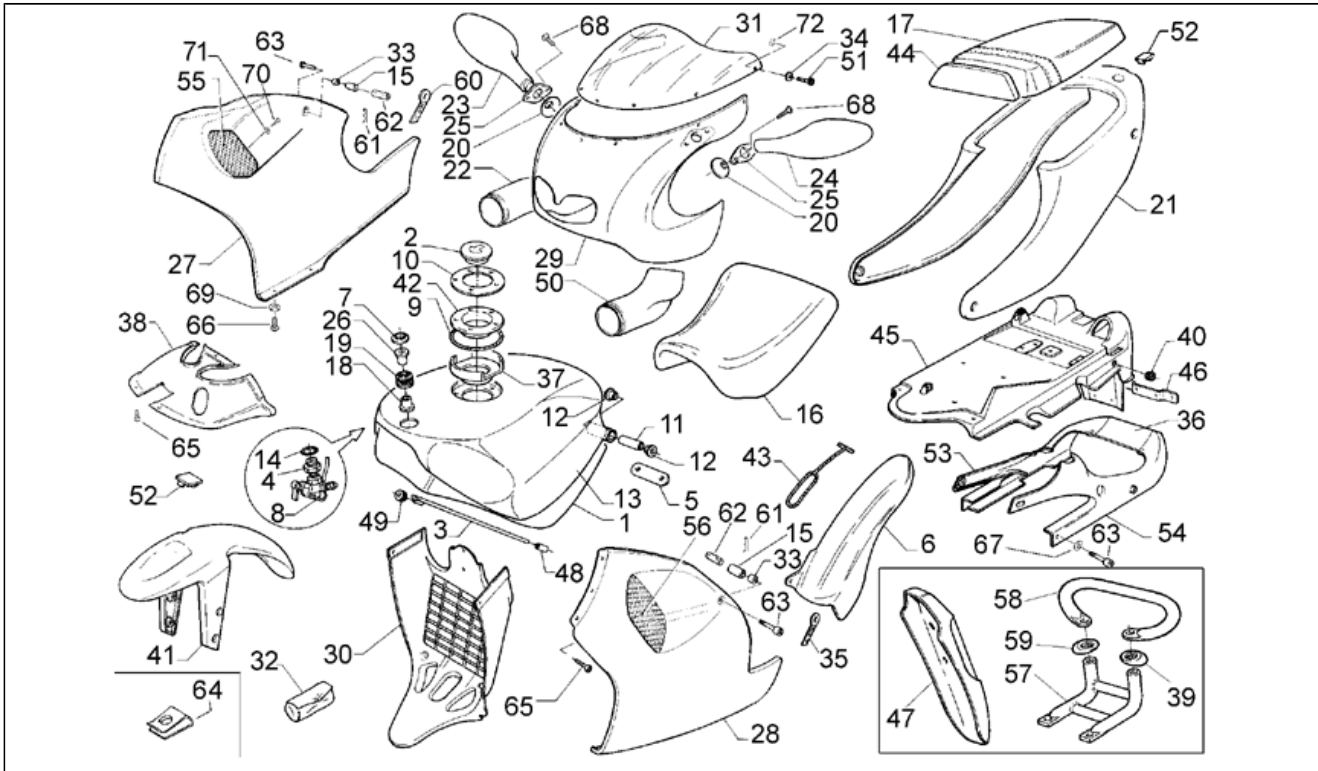
Pos.	Code	Description	Q.ty	Variants
41	AP8126666	Front mudguard, cos. blue	1	year: 1998[W] Color: Grey/Red/Blu Valentino Rossi 1998[rossi]
41	AP8126670	Front mudguard, black	1	year: 1998[W] Color: Black 1996-1998[black]
42	AP8102233	Filler cap	1	
43	AP8120177	Headlight supp.snap	1	
44	AP8129154	Seat cushion	1	year: 1996[T], 1997[V] Color: Black 1996-1998[black] Country: Denmark[DK], Spain[E], France[F], Japan[J], Holland[NL], Portugal[P], Poland[PL], Finland[SF], Singapore[SGP], Great Britain[UK]
44	AP8129154	Seat cushion	1	year: 1996[T] Color: Mirage Grey 1996[Gr.m] Country: Denmark[DK], Spain[E], France[F], Japan[J], Holland[NL], Portugal[P], Poland[PL], Finland[SF], Singapore[SGP], Great Britain[UK]
44	AP8129190	Seat cushion	1	year: 1998[W] Country: Spain[E]
44	AP8129214	Seat cushion, grey	1	year: 1997[V] Color: Silver Grey 1997[Gr.s] Country: Denmark[DK], Spain[E], France[F], Japan[J], Holland[NL], Portugal[P], Poland[PL], Finland[SF], Singapore[SGP], Great Britain[UK]
45	AP8126501	N.plate holder/glove comp.	1	
46	AP8134257	N.plate support	1	
47	AP8126385	Rear extension	1	Country: Switzerland[CH], Germany[D]
48	AP8120712	Rubber spacer	1	
49	AP8120598	Rubber spacer *	1	
50	AP8138303	LH air duct	7	
51	AP8102603	Rivet, anodized blu 5x10	7	year: 1996[T], 1997[V]
51	AP8121303	Rivet, anodized nat. 5x10	7	year: 1998[W]
52	AP8120708	Cable-guide	1	

Assembly	FRAME
Code	28.02
Description	Body
Revision	1



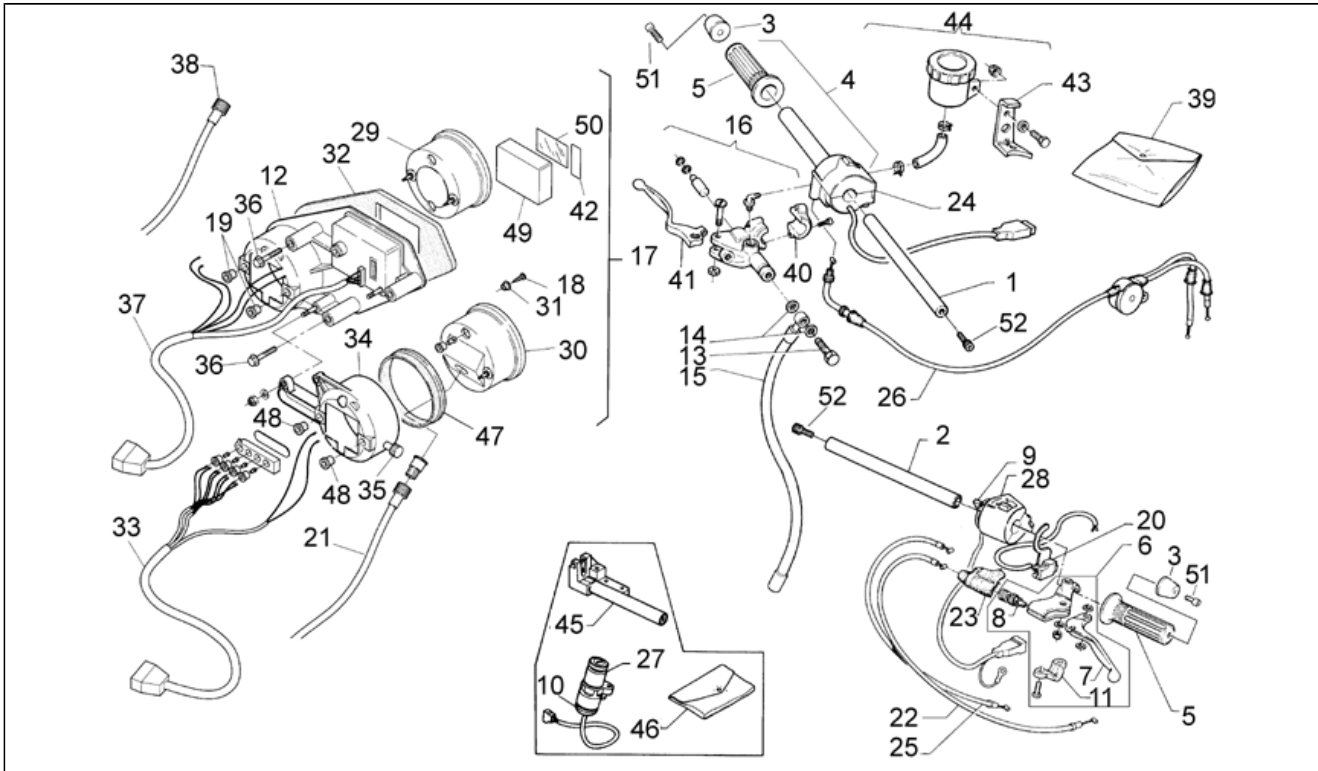
Pos.	Code	Description	Q.ty	Variants
53	AP8138083	RH saddle sup cov., black	1	year: 1996[T], 1997[V] Color:Black 1996-1998[black]
53	AP8138681	RH saddle sup cov., m.grey	1	year: 1996[T] Color:Mirage Grey 1996[Gr.m]
53	AP8139049	RH saddle sup cov., s.grey	1	year: 1997[V] Color:Silver Grey 1997[Gr.s]
53	AP8139441	RH saddle sup cov., grey	1	year:1998[W]
54	AP8138485	LH saddle sup cov., black	1	year: 1996[T], 1997[V] Color:Black 1996-1998[black]
54	AP8138682	LH saddle sup cov., m.grey	1	year: 1996[T] Color:Mirage Grey 1996[Gr.m]
54	AP8139050	LH saddle sup cov., s.grey	1	year: 1997[V] Color:Silver Grey 1997[Gr.s]
54	AP8139443	LH saddle sup cov., grey	1	year:1998[W]
55	AP8131733	RH side panel guard	1	
56	AP8131734	LH side panel guard	1	
57	AP8134403	Handle support	1	
58	AP8135973	Pillion grab bar, cat.	1	year: 1996[T], 1997[V], 1998[W] Color:Black 1996-1998[black]
58	AP8135973	Pillion grab bar, cat.	1	year: 1996[T] Color:Mirage Grey 1996[Gr.m]
58	AP8135973	Pillion grab bar, cat.	1	year: 1997[V] Color:Silver Grey 1997[Gr.s]
58	AP8146142	Pillion grab bar, grey cat.	1	year: 1998[W] Color:Grey/Red/Blu Valentino Rossi 1998[rossi]
59	AP8220331	Rubber spacer *	1	
60	AP8134243	Upper RH fair.supp. plate	1	
61	AP8201287	Split pin	2	
62	AP8121867	Special bush *	2	
63	AP8152269	Hex socket screw M5x20*	9	
64	AP8102375	Clip M5	10	

Assembly	FRAME
Code	28.02
Description	Body
Revision	1



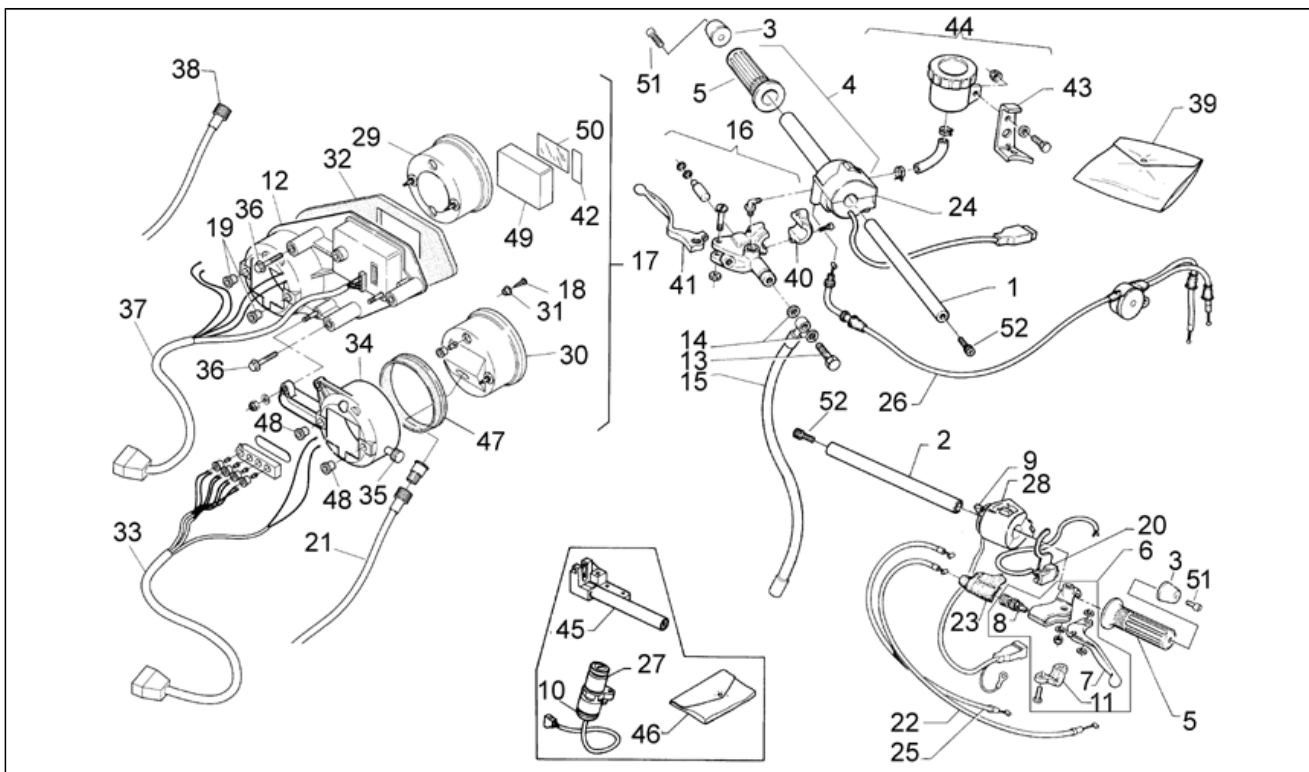
Pos.	Code	Description	Q.ty	Variants
65	AP8152298	Screw w/ flange M5x16	8	
66	AP8152268	Hex socket screw M5x16*	2	
67	AP8150178	Washer 6,4x12,5*	6	
68	AP8152246	Screw w/ flange M6x16*	4	
69	AP8150248	Washer 5,5x15x1,6	2	
70	AP8150420	Self-tapping screw *	10	
71	AP8150158	Washer 4,3x9x0,8*	6	
72	AP8150450	Washer for shafts D5	5	

Assembly	FRAME
Code	28.03
Description	Handlebar - Dashboard
Revision	1



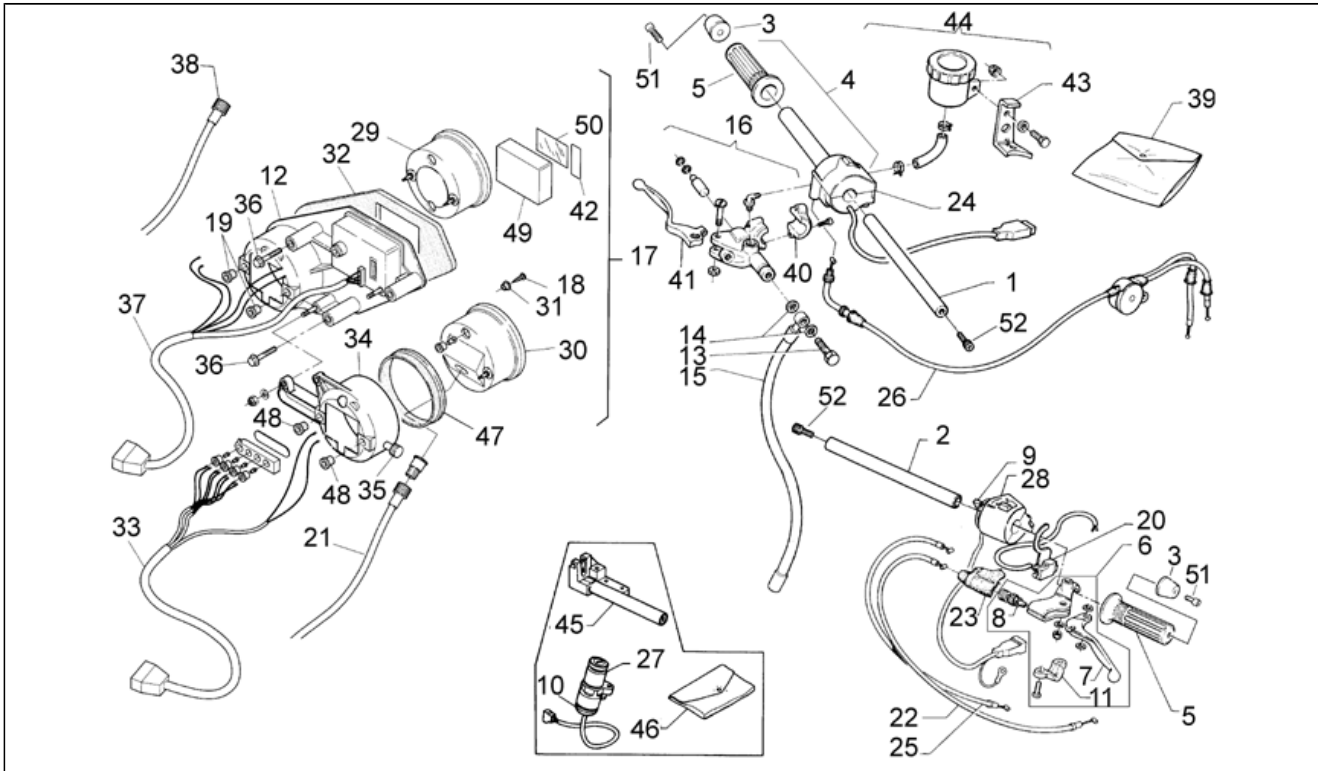
Pos.	Code	Description	Q.ty	Variants
1	AP8118343	Right half handlebar	0	
2	AP8118324	Left half handlebar	1	
3	AP8102579	Anti.v weight, black	2	year:1997[V], 1998[W]
3	AP8102660	Anti.v weight, grey	2	year:1996[T]
4	AP8118307	Throttle+hand grip	1	year:1996[T], 1997[V]
4	AP8118307	Throttle+hand grip	1	year: 1998[W] Color:Black 1996-1998[black]
4	AP8118493	Throttle+hand grip	1	year: 1998[W] Color:Grey/Red/Blu Valentino Rossi 1998[rossi]
5	AP8118287	Handgrip - pair	1	year: 1998[W] Color:Black 1996-1998[black]
5	AP8118287	Handgrip - pair	1	year: 1996[T], 1997[V] Color:Mirage Grey 1996[Gr.m]
5	AP8118497	Handgrip pair, yellow	1	year: 1998[W] Color:Grey/Red/Blu Valentino Rossi 1998[rossi]
6	AP8118439	Clutch control complete	1	
7	AP8118432	Clutch lever	1	
8	AP8118233	Clutch lever adjuster	1	
9	AP8118308	Starter lever	1	
10	AP8112802	Commutator wiring	1	
11	AP8218077	Clutch lever U-bolt	1	
12	AP8124197	Tachometer support	1	
13	AP8113003	Oil pipe screw *	1	
14	AP8113004	Washer 10x14x1,6*	2	
15	AP8113509	Front brake hose	1	
16	AP8113617	Front master cilinder	1	
17	AP8124171	Dashboard complete -miglia-	1	year: 1996[T] Country:Great Britain[UK]
17	AP8124190	Dashboard complete	1	year: 1996[T] Country:Germany[D], Denmark[DK], Spain[E], Portugal[P]

Assembly	FRAME
Code	28.03
Description	Handlebar - Dashboard
Revision	1



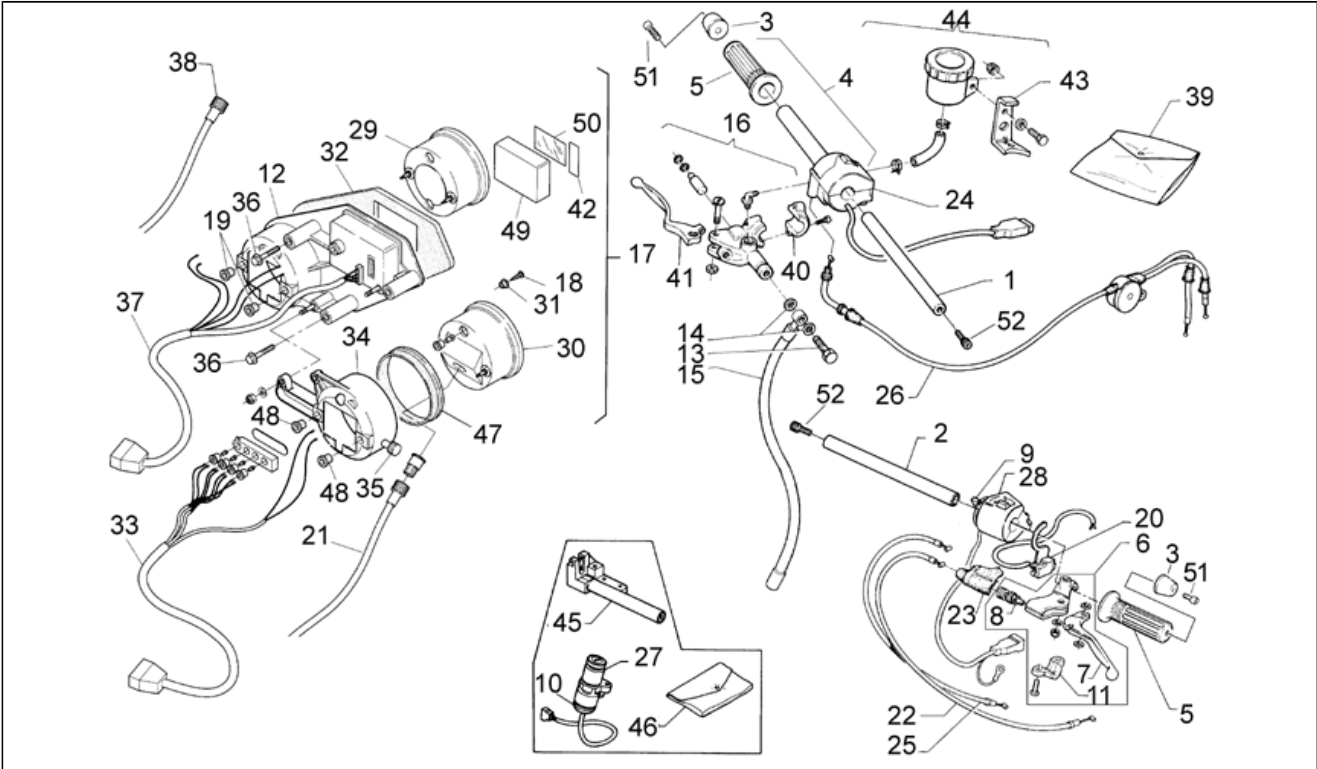
Pos.	Code	Description	Q.ty	Variants
17	AP8124190	Dashboard complete	1	year: 1996[T] Country: Switzerland[CH], France[F], Japan[J], Holland[NL], Poland[PL], Finland[SF], Singapore[SGP]
17	AP8124468	Dashboard complete	1	year: 1997[V] Country: Germany[D], Denmark[DK], Spain[E], Portugal[P]
17	AP8124468	Dashboard complete	1	year: 1997[V] Country: Switzerland[CH], France[F], Japan[J], Holland[NL], Poland[PL], Finland[SF], Singapore[SGP], Great Britain[UK]
17	AP8124468	Dashboard complete	1	year: 1998[W] Country: Spain[E]
18	AP8123553	Plug screw	1	
19	AP8124255	Rubber tachometer	2	
20	AP8124152	Chronometer button	1	
21	AP8114334	Odometer cable	1	
22	AP8114321	Clutch cable	1	
23	AP8120467	Clutch adjuster sleeve	1	
24	AP8118420	Start pushbutton	1	Country: Switzerland[CH], France[F], Japan[J], Holland[NL], Poland[PL], Finland[SF], Great Britain[UK]
24	AP8118420	Start pushbutton	1	year: 1996[T] Country: Singapore[SGP]
24	AP8118420	Start pushbutton	1	Country: Germany[D], Denmark[DK], Spain[E], Portugal[P]
24	AP8118482	Start pushbutton	1	year: 1997[V] Country: Singapore[SGP]
25	AP8114331	Choke cable	1	
26	AP8114364	Throttle cable w/ splitter	1	Country: Switzerland[CH], France[F], Japan[J], Holland[NL], Poland[PL], Finland[SF], Singapore[SGP], Great Britain[UK]
26	AP8114364	Throttle cable w/ splitter	1	Country: Germany[D], Denmark[DK], Spain[E], Portugal[P]
27	AP8112710	Main switch - steering lock	1	
28	AP8124173	LH lights sel. w/wiring	1	
29	AP8124230	Tachometer	1	Country: Switzerland[CH], France[F], Japan[J], Holland[NL], Poland[PL], Finland[SF], Singapore[SGP], Great Britain[UK]

Assembly	FRAME
Code	28.03
Description	Handlebar - Dashboard
Revision	1



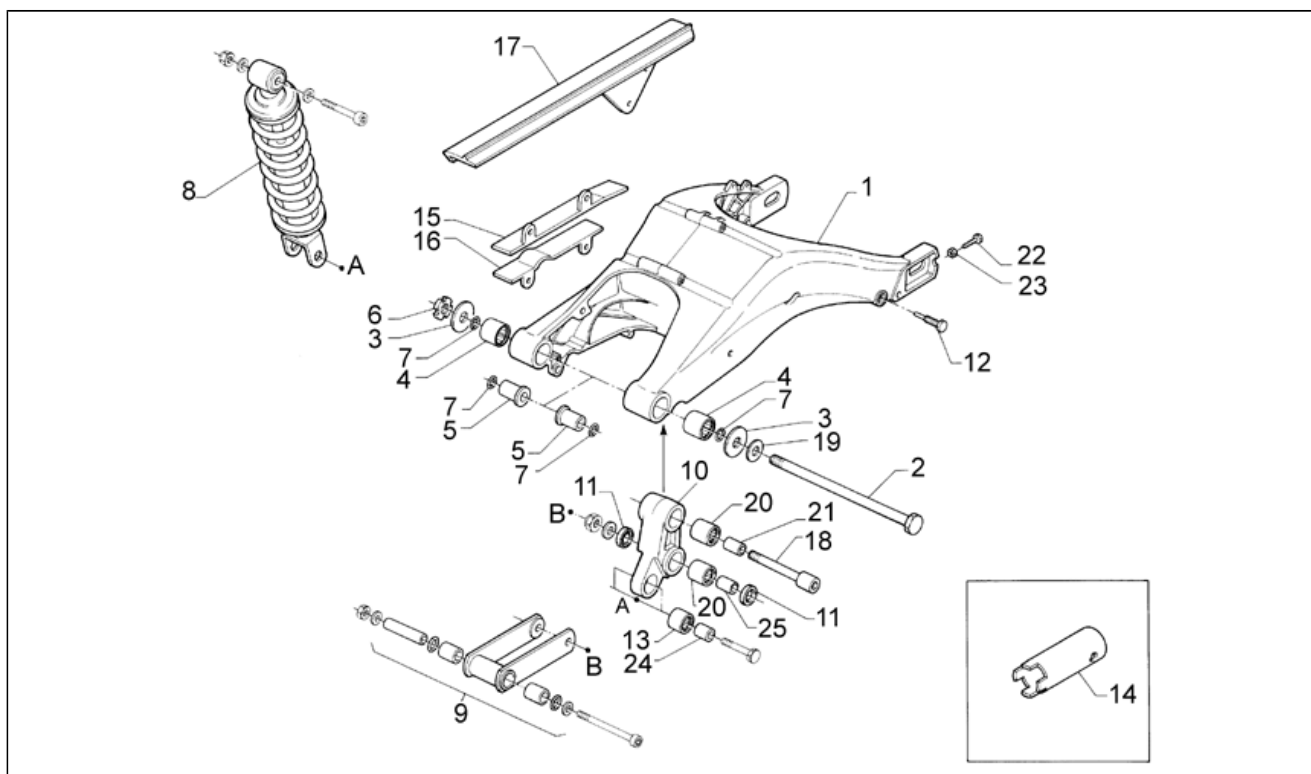
Pos.	Code	Description	Q.ty	Variants
29	AP8124230	Tachometer	1	Country:Germany[D], Denmark[DK], Spain[E], Portugal[P]
30	AP8124224	Speedometer	1	year: 1996[T] Country:Switzerland[CH], Germany[D], Denmark[DK], Spain[E], France[F], Japan[J], Holland[NL], Portugal[P], Poland[PL], Finland[SF], Singapore[SGP]
30	AP8124477	Speedometer	1	year: 1996[T] Country:Great Britain[UK]
30	AP8124486	Speedometer	1	year:1997[V], 1998[W]
31	AP8124253	Sponge fixing bush	1	
32	AP8124198	Sponge gasket	1	
33	AP8124228	Speedometer cable	1	
34	AP8124227	Tachometer supp.	1	
35	AP8131176	Reset button	1	
36	AP8152267	Hex socket screw M5x12*	2	
37	AP8124229	Tachometer cable-multif.	1	
38	AP8114336	Tachometer cable	1	Country:Germany[D], Denmark[DK], Spain[E], Portugal[P]
38	AP8114336	Tachometer cable	1	Country:Switzerland[CH], France[F], Japan[J], Holland[NL], Poland[PL], Finland[SF], Singapore[SGP], Great Britain[UK]
39	AP8113439	Front pump rev. kit	1	
40	AP8213078	U-bolt	1	
41	AP8118460	Front brake lever	1	
42	AP8124195	Multif.device plug	1	
43	AP8121892	Oil brake tank supp.	1	
44	AP8113241	Brake oil tank complete	1	year:1996[T]
44	AP8113280	Brake oil tank complete	1	year:1997[V], 1998[W]
45	AP8201564	Saddle lock	1	
46	AP8102512	Lock hardware kit	1	
47	AP8124252	Speedometer gasket	1	
48	AP8124254	Rubber speedometer	1	

Assembly	FRAME
Code	28.03
Description	Handlebar - Dashboard
Revision	1



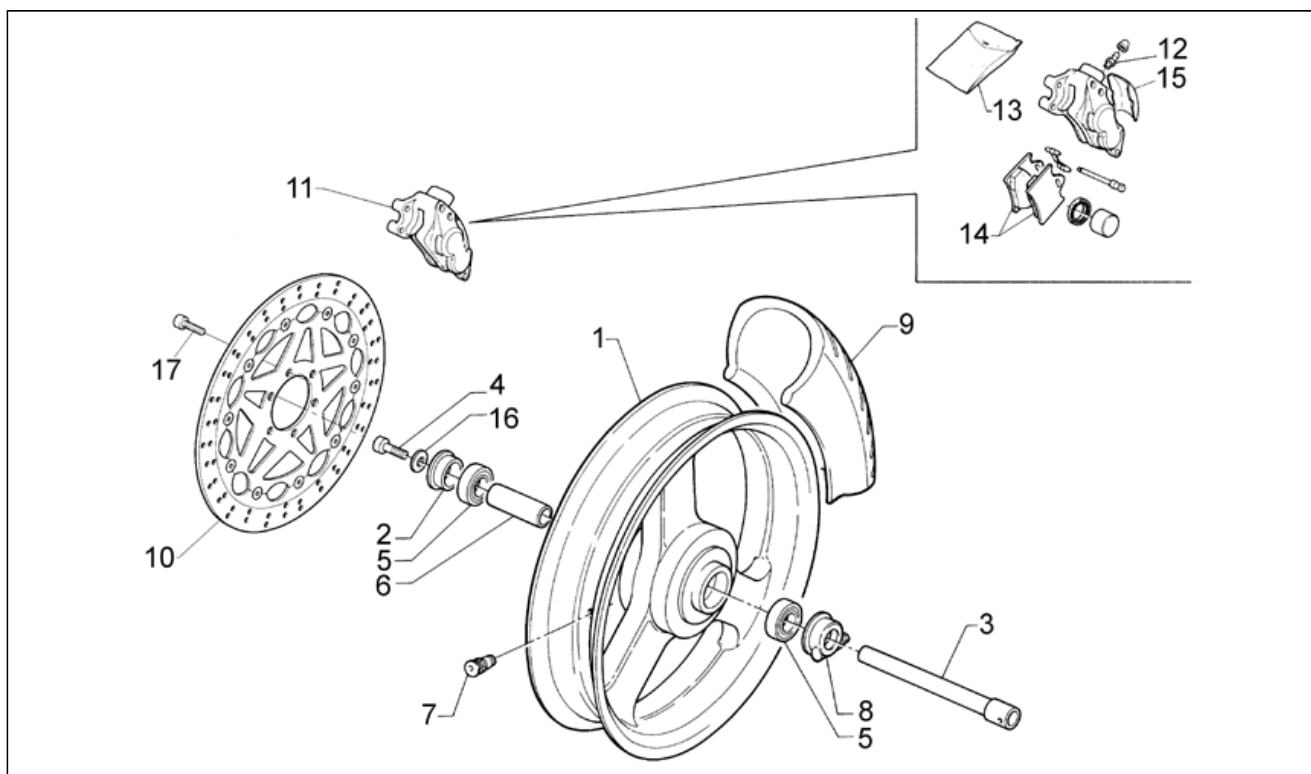
Pos.	Code	Description	Q.ty	Variants
49	AP8124226	Multifun. device	1	
50	AP8124194	Window	1	
51	AP8150157	Hex socket screw M6x60	2	
52	AP8150049	Screw M10x60	2	

Assembly	FRAME
Code	28.04
Description	Rear shock absorber
Revision	1



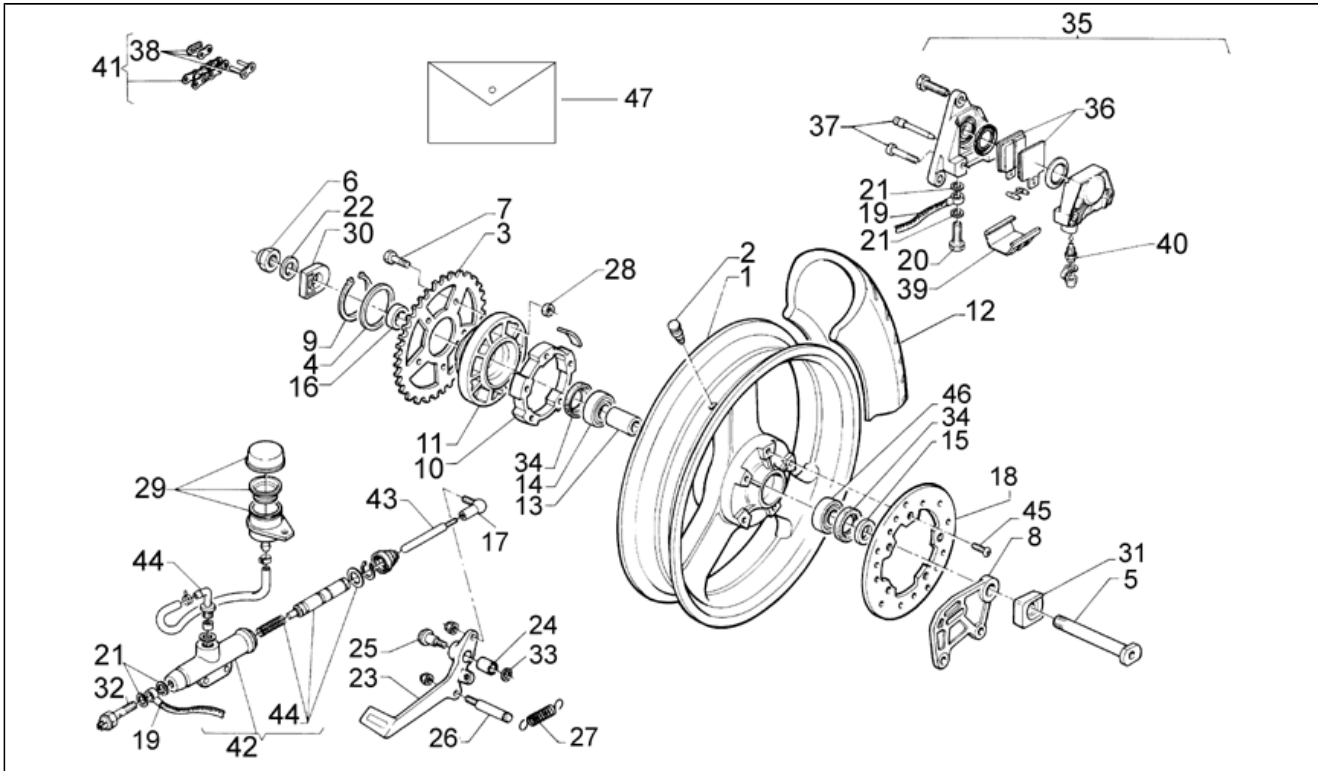
Pos.	Code	Description	Q.ty	Variants
1	AP8135961	Pulish.swing arm	0	
2	AP8125627	Rear swing arm pin	0	
3	AP8101341	Clearance washer	0	
4	AP8110067	Needle bearing 22x28x16	0	
5	AP8121121	Rear sw.arm piv.bush	0	
6	AP8150299	Ring nut M17x1	0	
7	AP8120280	O-ring 4087	0	
8	AP8123663	Shock absorber	0	
9	AP8132634	Single conrod	0	
10	AP8135362	Double conrod	0	
11	AP8120485	Gasket ring	0	
12	AP8135396	Brake supp. plate pin	0	
13	AP8110064	Roller cage	0	
14	AP8101945	Key for ring nut M17x1	0	
15	AP8120793	Upper chain guide plate	0	
16	AP8120794	Lower chain guide plate	0	
17	AP8131623	Chain guard, black	0	
18	AP8150346	Hex socket screw M12x78.5	0	
19	AP8152063	Washer 17x30x3*	0	
20	AP8110063	Roller cage	0	
21	AP8121846	Double connecting rod pin	0	
22	AP8152261	Chain tensioner screw	0	
23	AP8152262	Low nut M8*	0	
24	AP8121847	Double connecting rod pin	0	
25	AP8121845	Piston pin L=50	0	

Assembly	FRAME
Code	28.06
Description	Front wheel complete
Revision	1



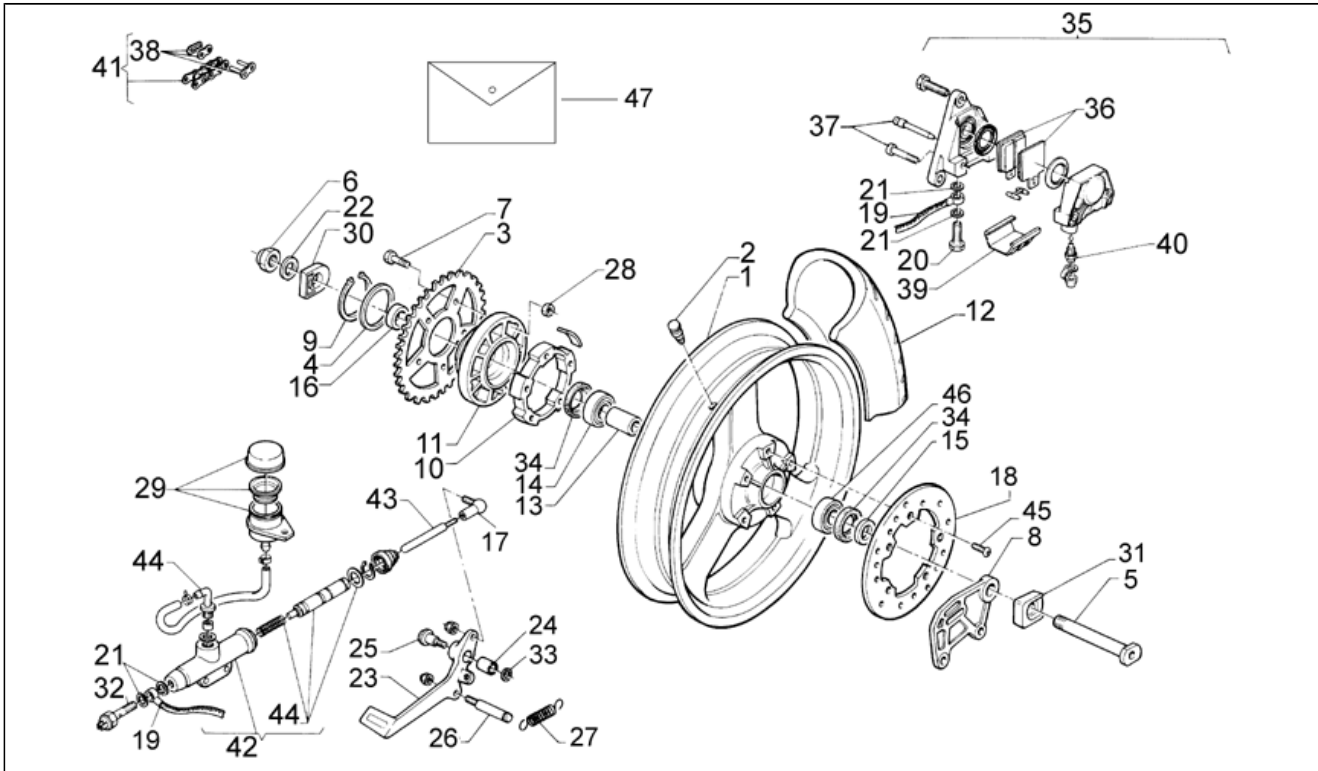
Pos.	Code	Description	Q.ty	Variants
1	AP8108564	Front wheel, black	0	
2	AP8121157	Front RH whe.ou.spacer	0	
3	AP8125388	Front wheel spindle	0	
4	AP8125418	Wheel spindle screw	0	
5	AP8125644	Front wheel bear.	0	
6	AP8125469	Spacer	0	
7	AP8101744	Tubeless tyre valve	0	
8	AP8101819	Odometer gear	0	
9	0000000	Tyre 110/90"	0	
10	AP8113468	Front brake disc D320	0	year: 1996[T], 1997[V] Country:Switzerland[CH], France[F], Japan[J], Holland[NL], Poland[PL], Finland[SF], Singapore[SGP], Great Britain[UK]
10	AP8113567	Front brake disc D320	0	Country:Germany[D], Denmark[DK], Spain[E], Portugal[P]
11	AP8113530	Front brake caliper, gold	0	
12	AP8113006	Air bleed valve	0	
13	AP8113309	Front brake caliper rev. kit	0	
14	AP8113489	Front pads pair l/D452	0	
15	AP8113310	Brake caliper cover	0	
16	AP8150208	Washer 15x28x2,5*	0	
17	AP8152286	Screw w/ flange M8x20	0	

Assembly	FRAME
Code	28.07
Description	Rear wheel
Revision	1



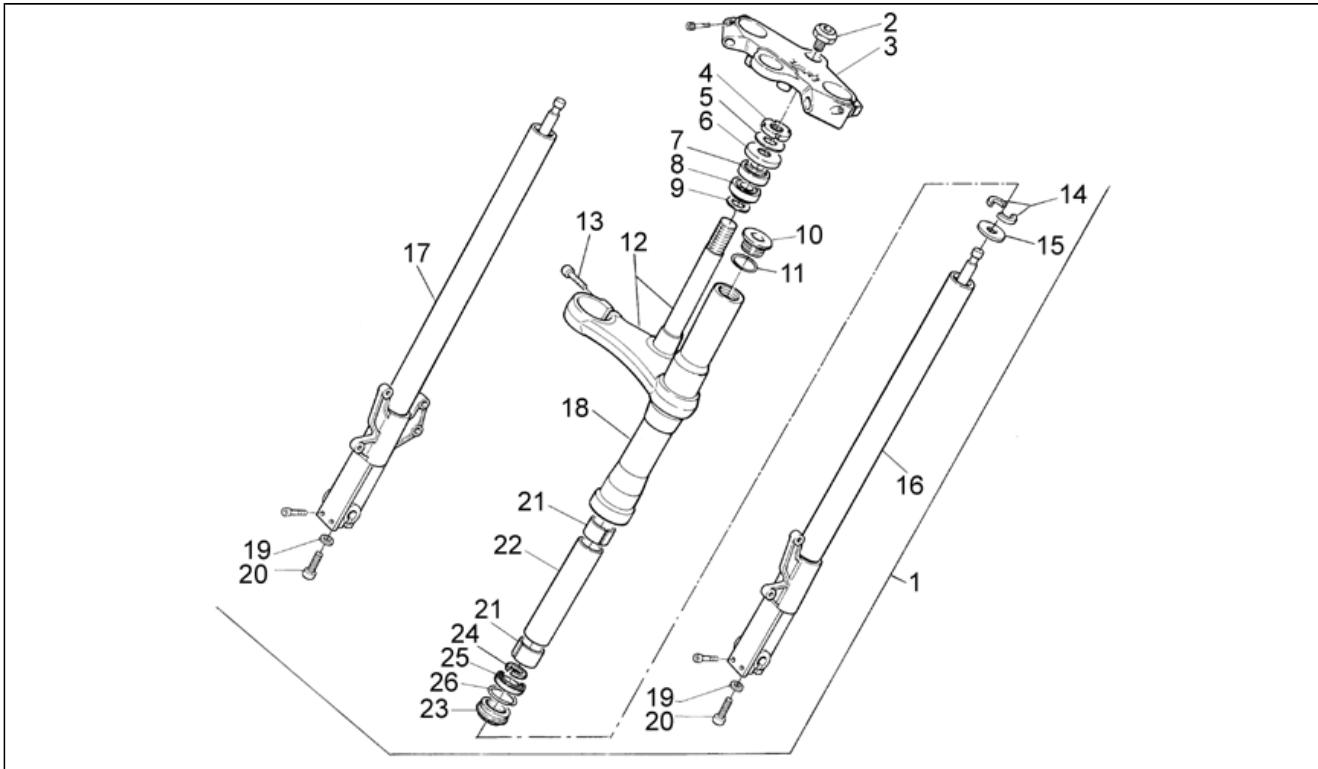
Pos.	Code	Description	Q.ty	Variants
1	AP8108565	Rear wheel, black	1	
2	AP8101744	Tubeless tyre valve	1	
3	AP8107090	Chain ring Z=39	1	
4	AP8102296	Snap ring	1	
5	AP8125631	Rear wheel spindle	1	
6	AP8125763	Rear wheel spindle nut	1	
7	AP8125635	Hex screw M8x25	5	
8	AP8134429	Brake hanger plate	1	
9	AP8125637	Circlip chain ring	1	
10	AP8120792	Flexible coupling rubber	1	
11	AP8125628	Crown holder	1	
12	0000000	Tyre 110/90"	1	
13	AP8125645	Rear wheel ins.spacer	1	
14	AP8125646	Rear wheel bear.	2	
15	AP8125639	LH wheel ou.spacer	1	
16	AP8125638	RH wheel ou.spacer	1	
17	AP8210007	RH ball joint M6	1	
18	AP8113237	Rear brake disc	1	year:1996[T]
18	AP8113628	Rear brake disc	1	year:1997[V], 1998[W]
19	AP8113510	Rear brake hose	1	
20	AP8113003	Oil pipe screw *	1	
21	AP8113004	Washer 10x14x1,6*	2	
22	AP8121852	Washer 20x30x1	1	
23	AP8132635	Rear brake lever	1	
24	AP8121147	Spacer *	1	
25	AP8121284	Brake lever pin	1	
26	AP8121835	Springs fixing pin	1	
27	AP8121118	Coil pull spring *	1	

Assembly	FRAME
Code	28.07
Description	Rear wheel
Revision	1



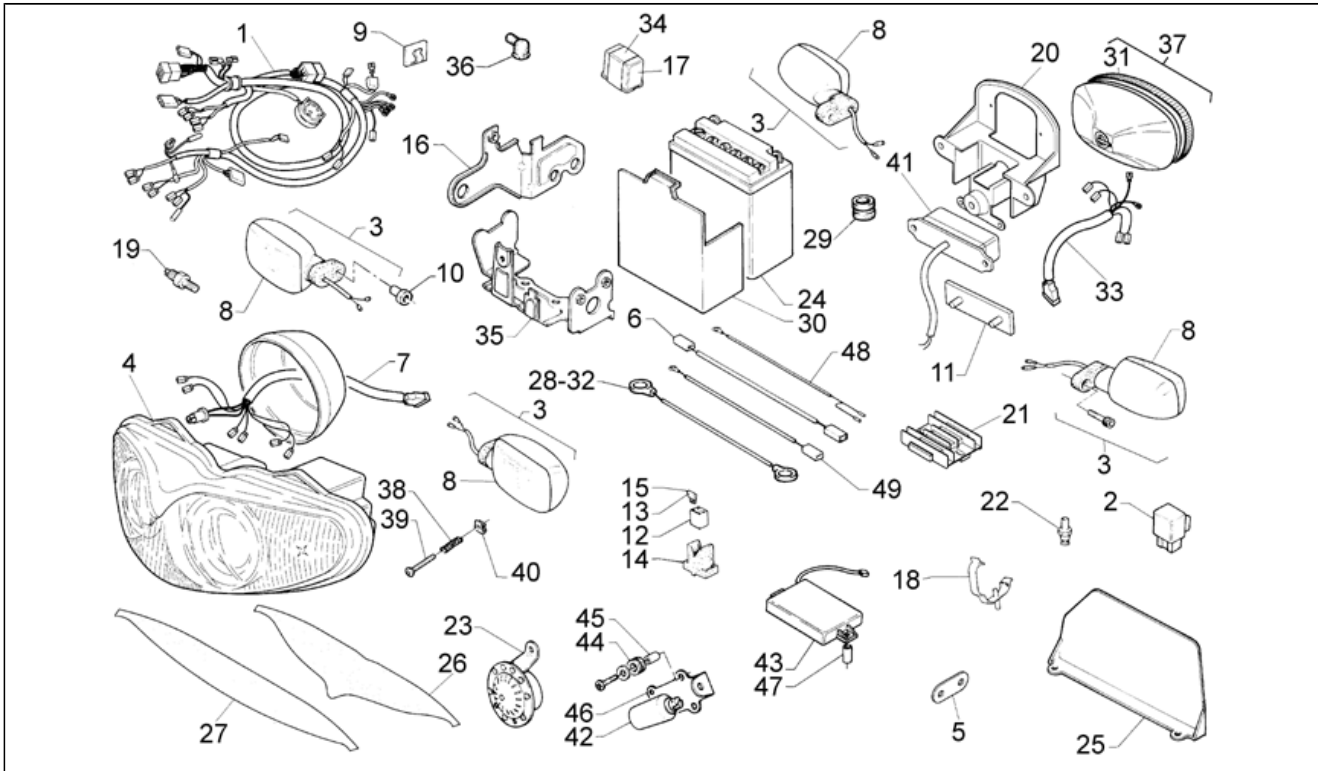
Pos.	Code	Description	Q.ty	Variants
28	AP8125636	Self-locking nut M8	5	
29	AP8213086	Oil tank	1	
30	AP8120807	RH chain guide plate, br.	1	
31	AP8120806	LH chain guide plate, br.	1	
32	AP8124479	Brake light switch	1	
33	AP8121697	Belleville spring	1	
34	AP8125647	Rear wheel oil seal	2	
35	AP8113596	Rear brake caliper, gold	1	
36	AP8113651	Pads pair	1	
37	AP8113602	Fixing pin	1	
38	AP8107135	Connecting link	1	Country:Switzerland[CH], Germany[D], Denmark[DK], Spain[E], Japan[J], Holland[NL], Portugal[P], Finland[SF], Singapore[SGP], Great Britain[UK]
38	AP8107135	Connecting link	1	Country:Germany[D]
38	AP8107140	Connecting link	1	Country:France[F]
39	AP8113117	Brake caliper cover	1	
40	AP8113006	Air bleed valve	1	
41	AP8107045	Chain cpl conn.link	1	Country:France[F]
41	AP8107110	Chain cpl conn.link	1	Country:Switzerland[CH], Denmark[DK], Spain[E], Japan[J], Holland[NL], Portugal[P], Poland[PL], Finland[SF], Singapore[SGP], Great Britain[UK]
41	AP8107110	Chain cpl conn.link	1	Country:Germany[D]
42	AP8113254	Rear master cyl.w/out tank	1	
43	AP8221074	Rear master cyl.rod	1	
44	AP8113322	Rear pump rev. kit	1	
45	AP8152060	Hex socket screw M6x20	5	
46	AP8125646	Rear wheel bear.	1	
47	AP8113198	Brake caliper rev. kit	1	

Assembly	FRAME
Code	28.08
Description	Front fork
Revision	1



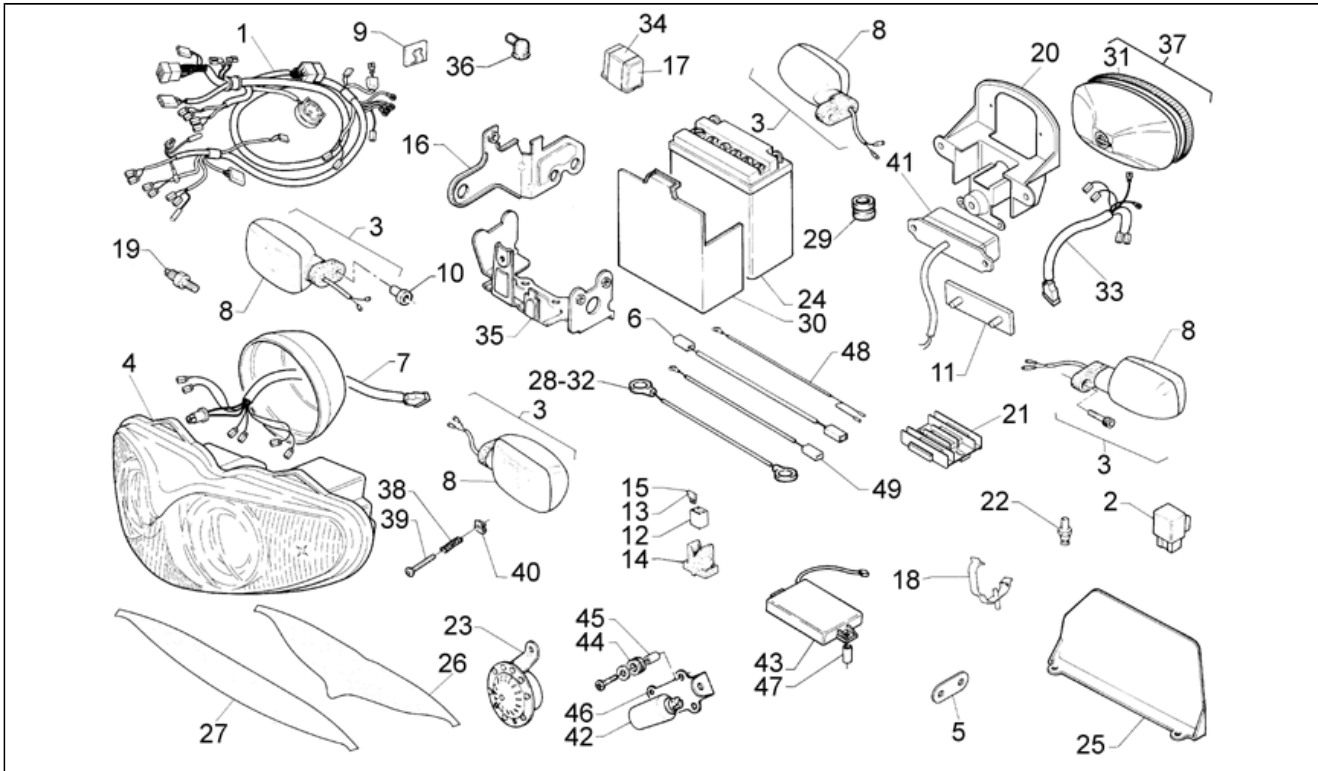
Pos.	Code	Description	Q.ty	Variants
1	AP8123693	Front fork	1	
2	AP8150352	Plug	1	
3	AP8123666	Fork upper plate	1	
4	AP8150299	Ring nut M17x1	1	
5	AP8203550	Steering washer	1	
6	AP8101106	Gasket ring	1	
7	AP8110025	Ball bearing	1	
8	AP8110024	Roller bearing	1	
9	AP8101271	Lower dust cover ring	1	
10	AP8123692	Red sleeve plug	2	
11	AP8123514	O-ring	2	
12	AP8123316	Stem base	1	
13	AP8203570	Screw M8x30	2	
14	AP8123441	Half ring	4	
15	AP8123357	Ring spring	2	
16	AP8123633	Hub+LH fork leg	1	
17	AP8123632	Hub+RH fork leg	1	
18	AP8123691	Sleeve, black	2	
19	AP8123191	Seal washer	2	
20	AP8123216	Screw M10x30	2	
21	AP8123203	Sliding bush	2	
22	AP8123315	Spacer	2	
23	AP8123777	Dust cover + spring	2	
24	AP8123256	Circlip	2	
25	AP8103235	Gasket ring	2	
26	AP8123199	Stop ring	2	

Assembly	FRAME
Code	28.09
Description	Electrical system
Revision	1



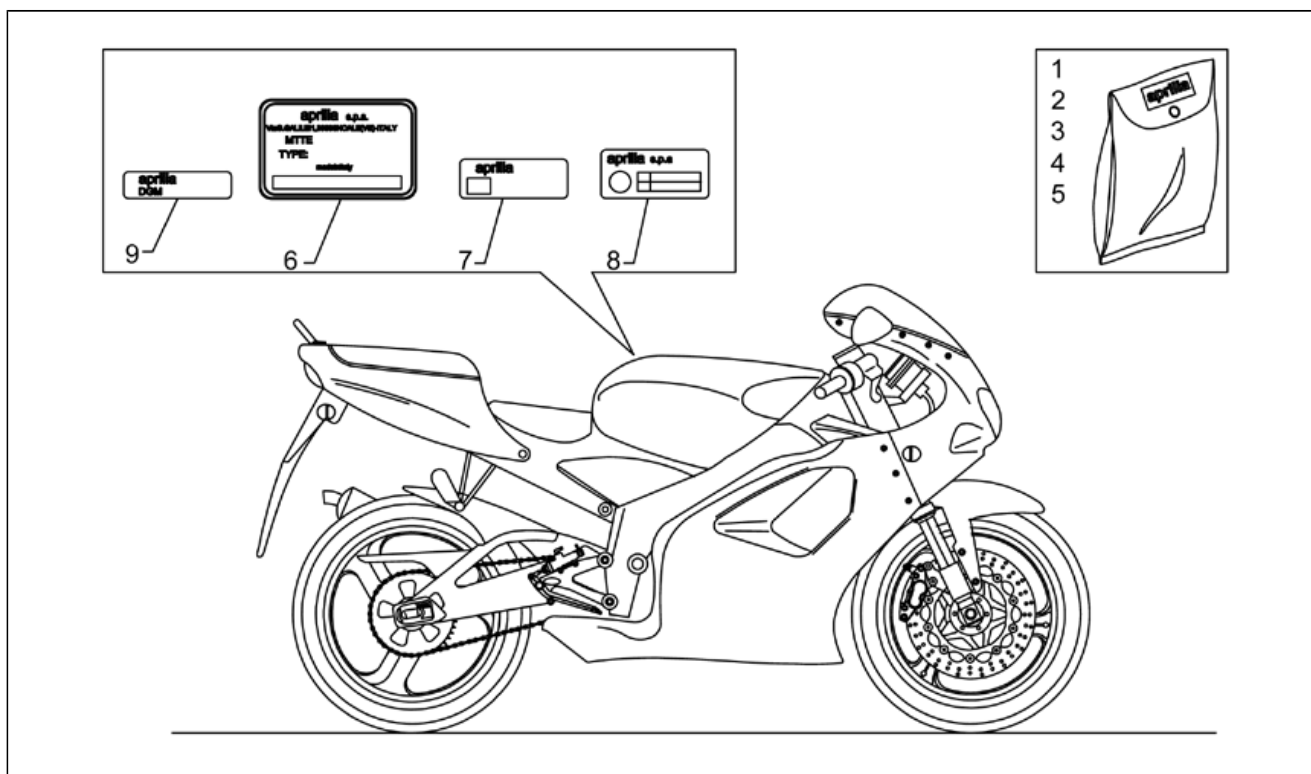
Pos.	Code	Description	Q.ty	Variants
1	AP8124210	Main wiring harness	1	
2	AP8124235	Flasher unit 12V 10+10W	1	
3	AP8112687	Turn indicator	1	
4	AP8112961	Headlight	1	Country:Switzerland[CH], Germany[D], Denmark[DK], Spain[E], France[F], Holland[NL], Portugal[P], Poland[PL], Finland[SF]
4	AP8124174	Headlight -UK-	1	Country:Japan[J], Singapore[SGP], Great Britain[UK]
5	AP8134348	Coil support plate	1	
6	AP8124119	Relay-starter motor cable	1	
7	AP8124075	Headlight wiring w/harness	1	
8	AP8112756	Turn indicator lens	4	
9	AP8120721	Black adh.cable guide	1	
10	AP8121795	T bush *	4	
11	AP8112916	Rear reflector	1	
12	AP8112811	Rubber fuse box	3	year:1996[T], 1997[V]
12	AP8120754	Rubber fuse box	3	year:1998[W]
13	AP8112176	Fuse 15A	1	
14	AP8112811	Rubber fuse box	1	year:1998[W]
14	AP8120754	Rubber fuse box	1	year:1996[T], 1997[V]
15	AP8112244	Fuse 7,5A	1	
16	AP8124117	Fuse block support	1	
17	AP8112523	Starter relay	1	
18	AP8120582	Cable-guide	1	
19	AP8124399	Brake light switch	1	
20	AP8134335	Rear headlight supp.	1	
21	AP8112846	Voltage regulator	1	
22	AP8124487	Thermistor	1	
23	AP8112413	Horn	1	

Assembly	FRAME
Code	28.09
Description	Electrical system
Revision	1



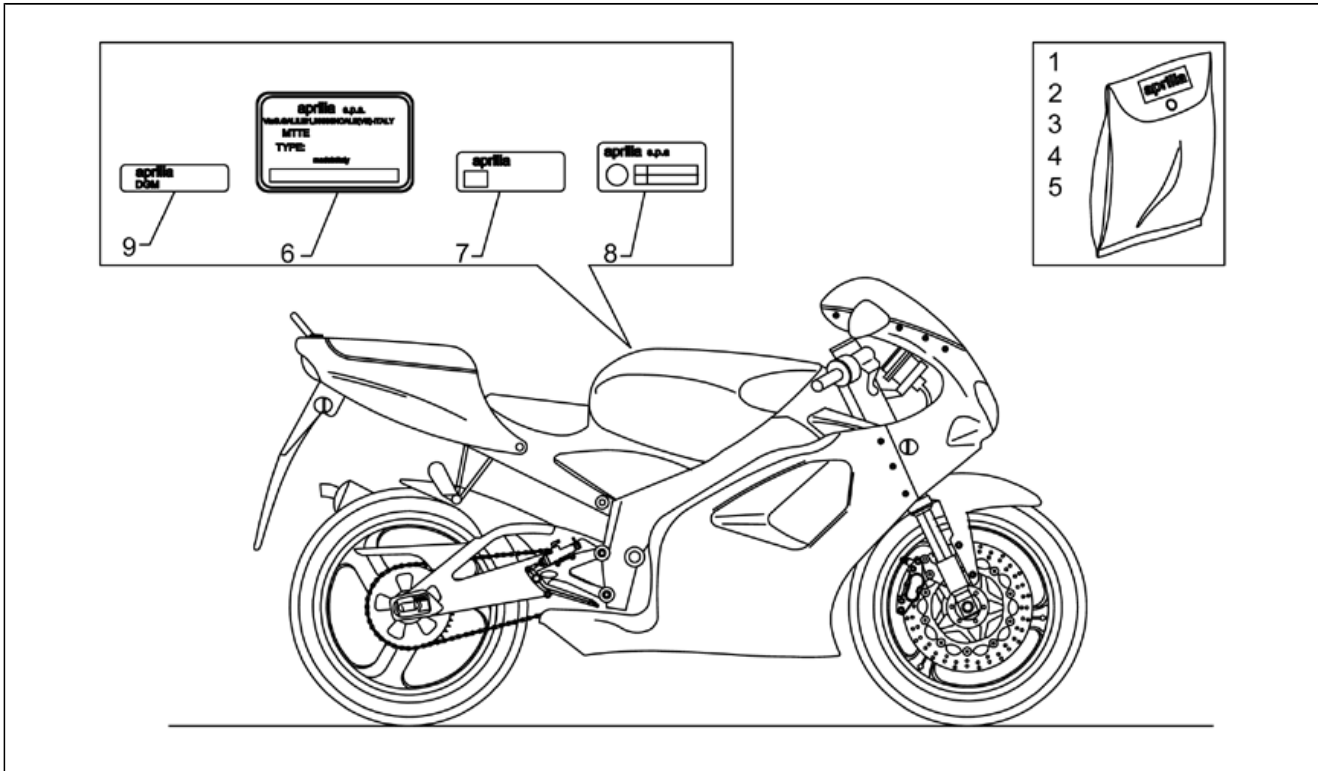
Pos.	Code	Description	Q.ty	Variants
24	AP8112290	Battery	1	
25	AP8131739	Tens. regulator guard	1	
26	AP8137646	Upper light guard decal	1	
27	AP8137647	Lower light guard decal	1	
29	AP8112599	Rubber spacer *	1	
30	AP8131256	Battery holder	1	
31	AP8212679	Taillight lens	1	
32	AP8112460	Relay-motor cable	1	
33	AP8124141	Taillight wiring harness.	1	
34	AP8220201	Rubber spacer *	1	
35	AP8135448	Battery holder supp. plate	1	
36	AP8120218	Terminal cap	1	
37	AP8124006	Taillight	1	
38	AP8121798	Coil compress. spring *	1	
39	AP8221035	Screw M4x78*	1	
40	AP8201215	Clip M4*	1	
41	AP8212702	Number-plate light	1	
42	AP8112567	Rave cont.solenoid	1	
43	AP8112568	Rave ECU	1	Country:France[F], Japan[J], Holland[NL], Poland[PL], Finland[SF], Singapore[SGP], Great Britain[UK]
43	AP8112568	Rave ECU	1	Country:Germany[D], Denmark[DK], Spain[E], Portugal[P]
43	AP8112612	Rave ECU	1	Country:Switzerland[CH]
44	AP8120405	Rubber spacer *	1	
45	AP8121736	T bush	2	
46	AP8132869	Solenoid supp. plate	1	
47	AP8220185	Dashboard bush	1	
48	AP8112833	Battery wiring-fuses	1	
49	AP8112402	Relay battery wiring	1	

Assembly	FRAME
Code	28.10
Description	Plate set and decal
Revision	1



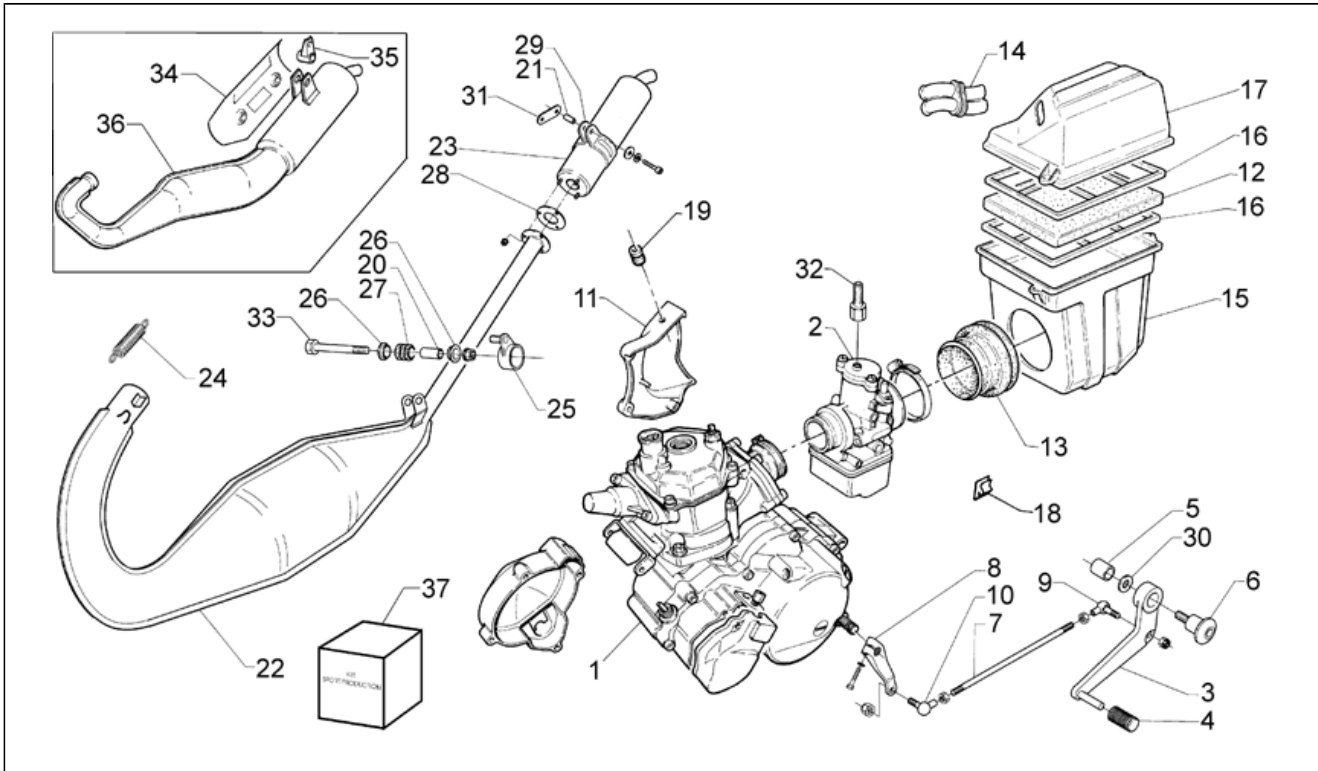
Pos.	Code	Description	Q.ty	Variants
1	AP8147063	Tank decal set	1	year: 1996[T] Color:Mirage Grey 1996[Gr.m]
1	AP8147071	Tank decal set	1	year: 1996[T] Color:Black 1996-1998[black]
1	AP8147392	Tank decal set	1	year: 1997[V] Color:Black 1996-1998[black]
1	AP8147393	Tank decal set	1	year: 1997[V] Color:Silver Grey 1997[Gr.s]
1	AP8147847	Tank decal set	1	year: 1998[W] Color:Grey/Red/Blu Valentino Rossi 1998[rossi]
1	AP8147848	Tank decal set	1	year: 1998[W] Color:Black 1996-1998[black]
2	AP8147064	Fairing decal set	1	year: 1996[T] Color:Mirage Grey 1996[Gr.m]
2	AP8147072	Fairing decal set	1	year: 1996[T] Color:Black 1996-1998[black]
2	AP8147394	Fairing decal set	1	year: 1997[V] Color:Black 1996-1998[black]
2	AP8147395	Fairing decal set	1	year: 1997[V] Color:Silver Grey 1997[Gr.s]
2	AP8147849	Fairing decal set	1	year: 1998[W] Color:Grey/Red/Blu Valentino Rossi 1998[rossi]
2	AP8147850	Fairing decal set	1	year: 1998[W] Color:Black 1996-1998[black]
3	AP8147065	Front fairing decal set	1	year: 1996[T] Color:Mirage Grey 1996[Gr.m]
3	AP8147073	Front fairing decal set	1	year: 1996[T] Color:Black 1996-1998[black]
3	AP8147396	Front fairing decal set	1	year: 1997[V] Color:Black 1996-1998[black]
3	AP8147397	Front fairing decal set	1	year: 1997[V] Color:Silver Grey 1997[Gr.s]

Assembly	FRAME
Code	28.10
Description	Plate set and decal
Revision	1



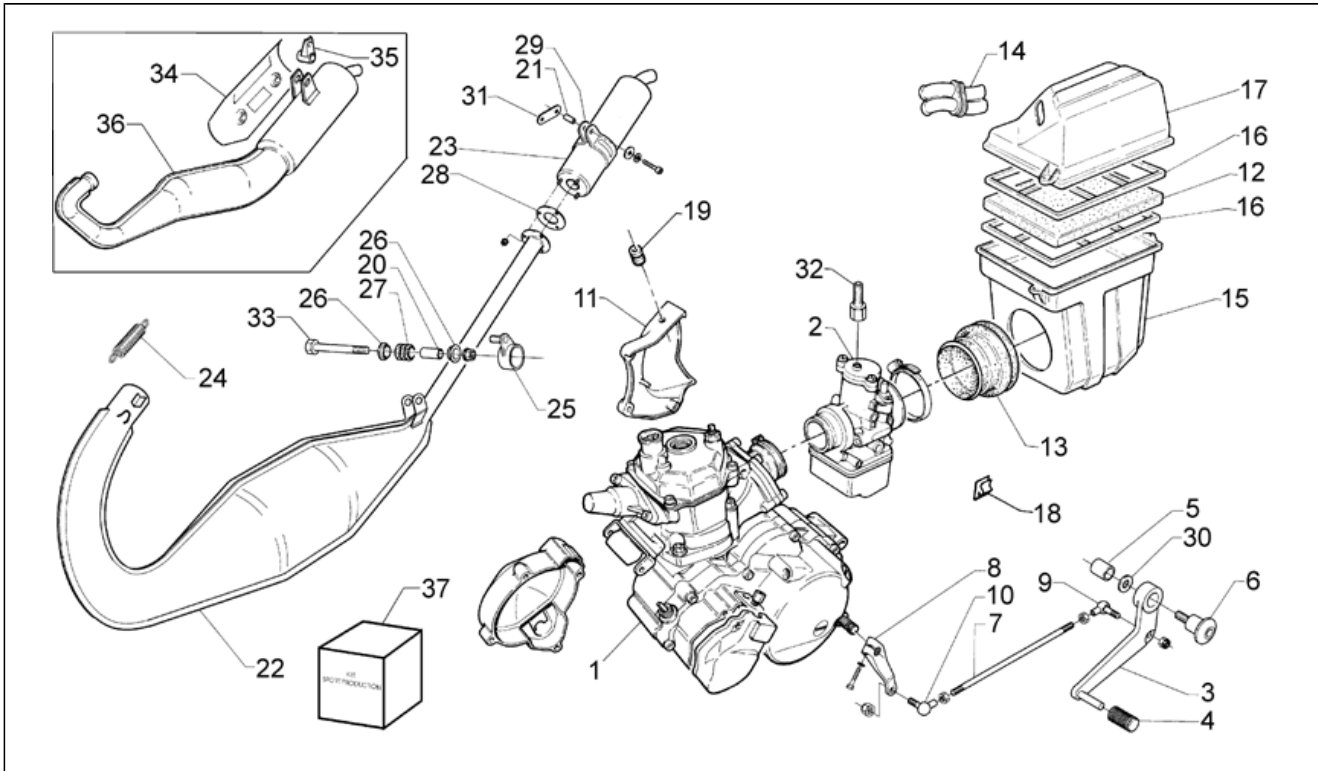
Pos.	Code	Description	Q.ty	Variants
3	AP8147851	Front fairing decal set	1	year: 1998[W] Color: Grey/Red/Blu Valentino Rossi 1998[rossi]
3	AP8147852	Front fairing decal set	1	year: 1998[W] Color: Black 1996-1998[black]
4	AP8147066	Rear fairing decal set	1	year: 1996[T] Color: Mirage Grey 1996[Gr.m]
4	AP8147074	Rear fairing decal set	1	year: 1996[T] Color: Black 1996-1998[black]
4	AP8147398	Rear fairing decal set	1	year: 1997[V] Color: Black 1996-1998[black]
4	AP8147399	Rear fairing decal set	1	year: 1997[V] Color: Silver Grey 1997[Gr.s]
4	AP8147853	Rear fairing decal set	1	year: 1998[W] Color: Grey/Red/Blu Valentino Rossi 1998[rossi]
4	AP8147854	Rear fairing decal set	1	year: 1998[W] Color: Black 1996-1998[black]
5	AP8147067	Technical decal set	1	
6	AP8115973	Constructor dataplate -F-	1	Country: France[F]
6	AP8137248	Constructor dataplate	1	Country: Spain[E], Portugal[P]
6	AP8137248	Constructor dataplate	1	Country: Japan[J], Holland[NL], Poland[PL], Finland[SF]
6	AP8137306	Constructor dataplate -CH-	1	Country: Switzerland[CH]
6	AP8137635	Constructor dataplate	1	Country: Singapore[SGP]
6	AP8137706	Constructor dataplate -UK-	1	Country: Great Britain[UK]
6	AP8147310	Constructor dataplate -D-	1	Country: Germany[D], Denmark[DK]
7	AP8137248	Constructor dataplate	1	Country: Switzerland[CH], France[F], Japan[J], Holland[NL], Poland[PL], Finland[SF], Singapore[SGP], Great Britain[UK]
7	AP8147497	ECE dataplate	1	Country: Spain[E]
8	AP8115753	Name plate CEE	1	

Assembly	ENGINE
Code	29.05
Description	Engine
Revision	1



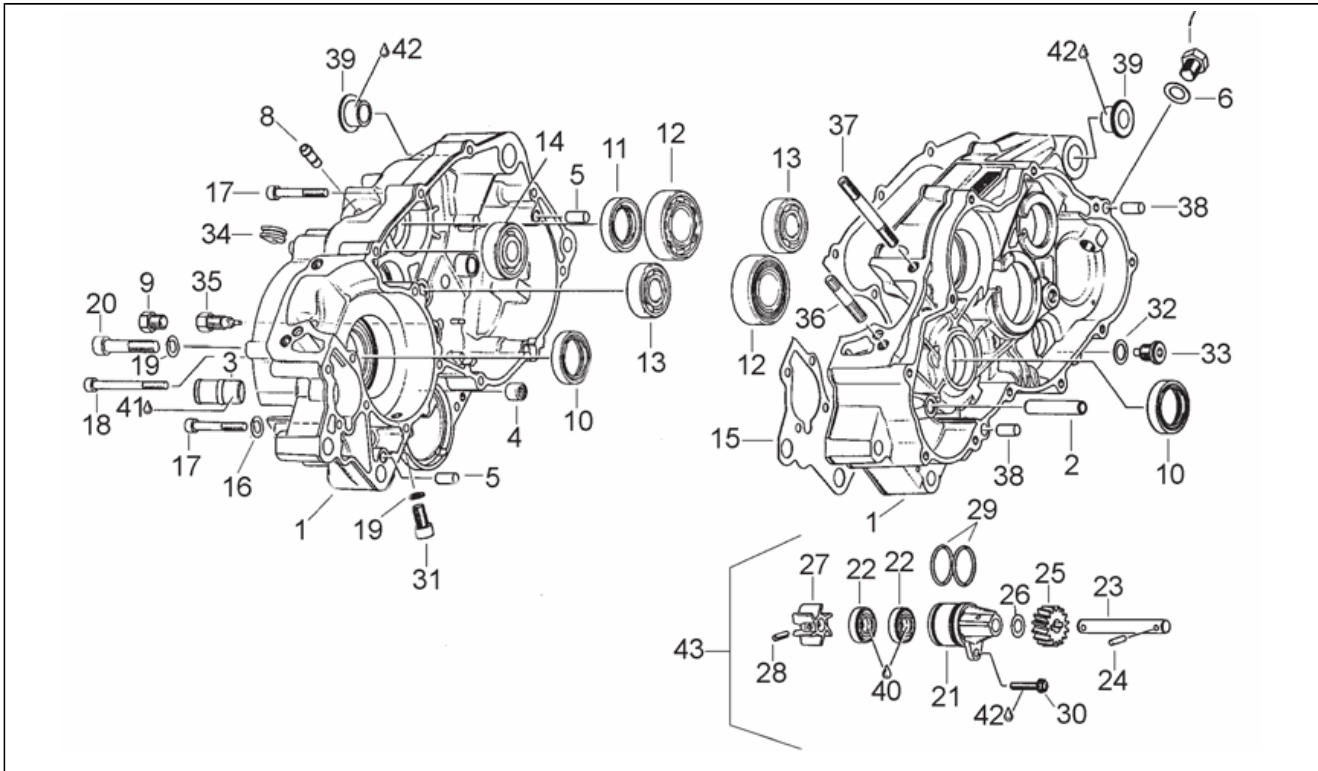
Pos.	Code	Description	Q.ty	Variants
1	AP8106205	Engine 123 STRADA 92-CH-	1	Country:Switzerland[CH]
1	AP8106238	Engine 123 STRADA 92	1	Country:Germany[D], Denmark[DK], Spain[E], Japan[J], Holland[NL], Portugal[P], Poland[PL], Finland[SF], Singapore[SGP], Great Britain[UK]
1	AP8106283	Engine 123 STRADA 93-F-	1	Country:France[F]
2	AP8106194	Carburettor phbH 28-Rd	1	Country:Switzerland[CH]
2	AP8106224	Carburettor VHSB 34 Ld	1	Country:Germany[D], Denmark[DK], Spain[E], Japan[J], Holland[NL], Portugal[P], Poland[PL], Finland[SF], Singapore[SGP], Great Britain[UK]
2	AP8106285	Carburettor phbL 24	1	Country:France[F]
3	AP8106013	Gear lever	1	
4	AP8220189	Rubber spacer	1	
5	AP8121147	Spacer *	1	
6	AP8121284	Brake lever pin	1	
7	AP8121668	Gearbox linkage rod	1	Country:Switzerland[CH], France[F], Japan[J], Holland[NL], Poland[PL], Finland[SF], Singapore[SGP], Great Britain[UK]
7	AP8121668	Gearbox linkage rod	1	Country:Germany[D], Denmark[DK], Spain[E], Portugal[P]
8	AP8135430	Gearbox connecting rod	1	Country:Germany[D], Denmark[DK], Spain[E], Portugal[P]
8	AP8135430	Gearbox connecting rod	1	Country:Switzerland[CH], France[F], Japan[J], Holland[NL], Poland[PL], Finland[SF], Singapore[SGP], Great Britain[UK]
9	AP8210007	RH ball joint M6	1	
10	AP8110053	Left ball joint M6	1	
11	AP8106315	Sprocket cover, grey	1	
12	AP8102080	Air filter	1	
13	AP8120783	Intake hose	1	year:1996[T], 1997[V]
13	AP8120810	Intake hose	1	year:1998[W]
14	AP8120748	Intake hose	1	
15	AP8131626	Filter housing base	1	
16	AP8131121	Filter guard	2	

Assembly	ENGINE
Code	29.05
Description	Engine
Revision	1



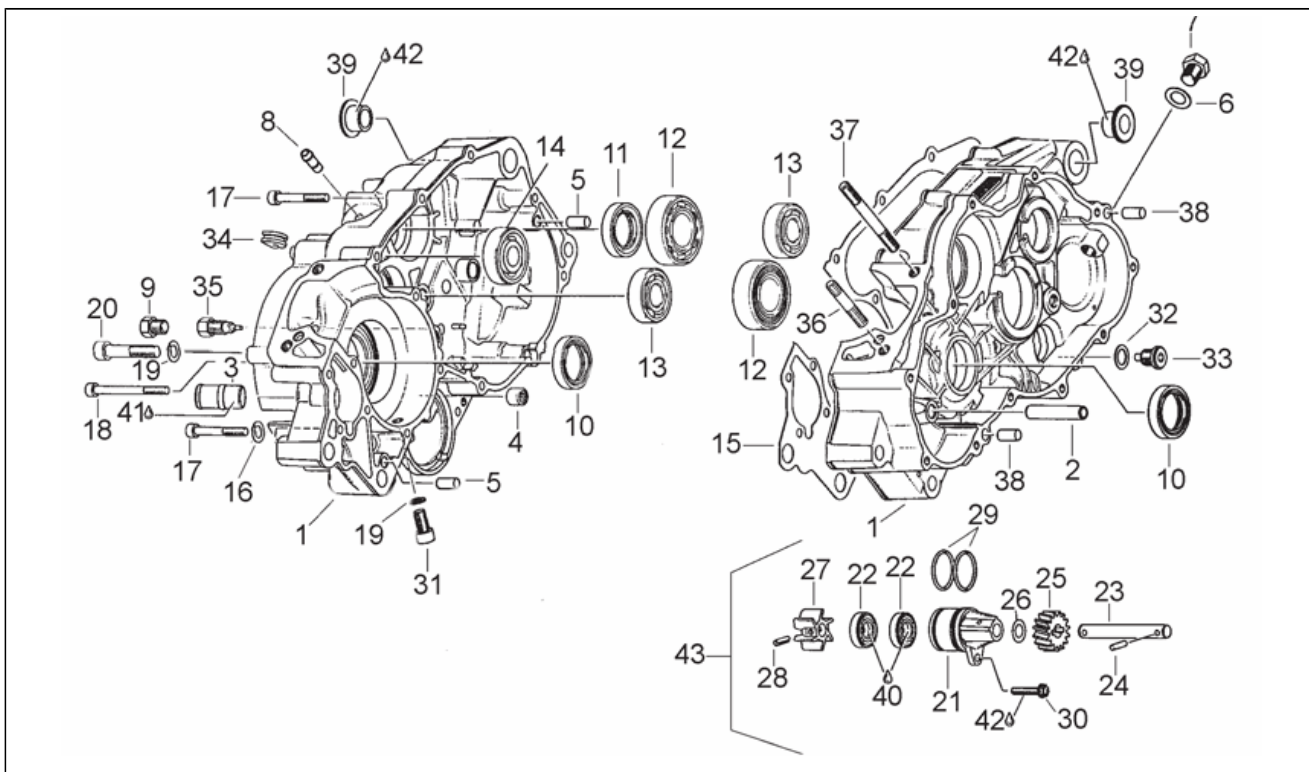
Pos.	Code	Description	Q.ty	Variants
17	AP8131470	Filter housing cover	1	Country:Switzerland[CH]
17	AP8138686	Filter housing cover	1	Country:Germany[D], Denmark[DK], Spain[E], France[F], Japan[J], Holland[NL], Portugal[P], Poland[PL], Finland[SF], Singapore[SGP], Great Britain[UK]
18	AP8120708	Cable-guide	1	
19	AP8120405	Rubber spacer *	1	
20	AP8121058	Spacer *	1	
21	AP8120910	Silent-block	1	
22	AP8119314	Exhaust pipe	1	Country:Japan[J], Holland[NL], Poland[PL], Finland[SF], Great Britain[UK]
22	AP8119314	Exhaust pipe	1	Country:Germany[D], Denmark[DK], Spain[E], Portugal[P]
22	AP8119351	Exhaust pipe -F-	1	Country:France[F]
23	AP8119349	Silencer	1	Country:Germany[D], Denmark[DK], Spain[E], Portugal[P]
23	AP8119349	Silencer	1	Country:France[F], Japan[J], Holland[NL], Poland[PL], Finland[SF], Great Britain[UK]
24	AP8121091	Coil pull spring *	2	
25	AP8135289	Exhaust pipe support	1	
26	AP8101284	Washer 22x30*	2	
27	AP8101285	Silent-block *	1	
28	AP8120812	Silencer gasket	1	
29	AP8102432	Silencer clip	1	
30	AP8121697	Belleville spring	1	
31	AP8134262	Silencer plate	1	
32	AP8106316	Carburettor adjuster	1	
33	AP8150277	Hex socket screw M8x50*	1	Country:Switzerland[CH], Singapore[SGP]
34	AP8232524	Exhaust pipe prot., chr.black	1	Country:Switzerland[CH], Singapore[SGP]
35	AP8135492	Exhaust pipe support	1	Country:Switzerland[CH], Singapore[SGP]
36	AP8119327	Exhaust pipe -CH-	1	Country:Switzerland[CH], Singapore[SGP]

Assembly	ENGINE
Code	29.11
Description	Crankcase
Revision	1



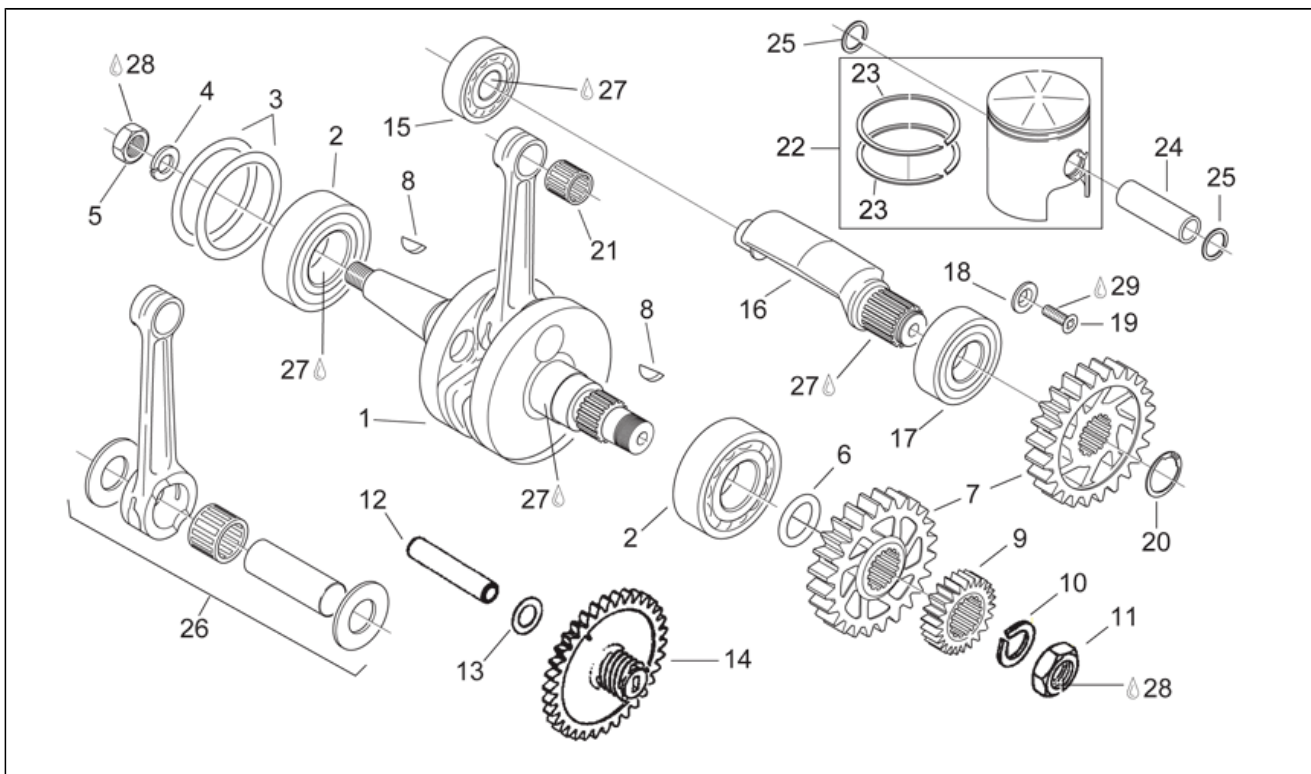
Pos.	Code	Description	Q.ty	Variants
1	AP0295216	Crankcase assy	1	
2	AP0237905	Free pinion shaft	1	
3	AP0224260	Pipe	1	
4	AP0232275	Roller cage 8x12x8	1	
5	AP0229290	Pin 8x16	2	
6	AP0250641	Gasket ring 12x18	1	
7	AP0241401	Hex screw M12x12	1	
8	AP0924150	Brass union	1	
9	AP0241905	Plug screw M10x10	1	
10	AP0230425	Oil seal 28x38x7	2	
11	AP0930675	Oil seal 25x38x7	1	
12	AP0232765	Bearing 6205	2	Technical Specifications: From engine 386977[M21]
12	AP0232766	Bearing 6205 tnh	2	Technical Specifications: Up to engine 386976[M20]
13	AP0932032	Bearing 6203	2	
14	AP0232290	Ball bearing 6302 c3	1	Technical Specifications: Up to engine 360120[M7]
14	AP0232291	Bearing 6302	1	Technical Specifications: From engine 360121[M9]
15	AP0250417	Gasket	1	
16	AP0227500	Gasket d.8x24	1	
17	AP0241821	Hex socket screw M6x45	9	
18	AP0241261	Hex socket screw m6x65	4	
19	AP0950141	Gasket ring 8x13	2	
20	AP0841561	Hex socket screw M8x45	1	
21	AP0222180	Water pump casing	1	
22	AP0230195	Oil seal 10x26x7	2	
23	AP0237910	Water pump shaft assy.	1	
24	AP0232730	Pin 4x15,8	1	
25	AP0234410	Water pump gear Z=14	1	
26	AP0827590	Thrust washer 10,1/17/1	1	

Assembly	ENGINE
Code	29.11
Description	Crankcase
Revision	1



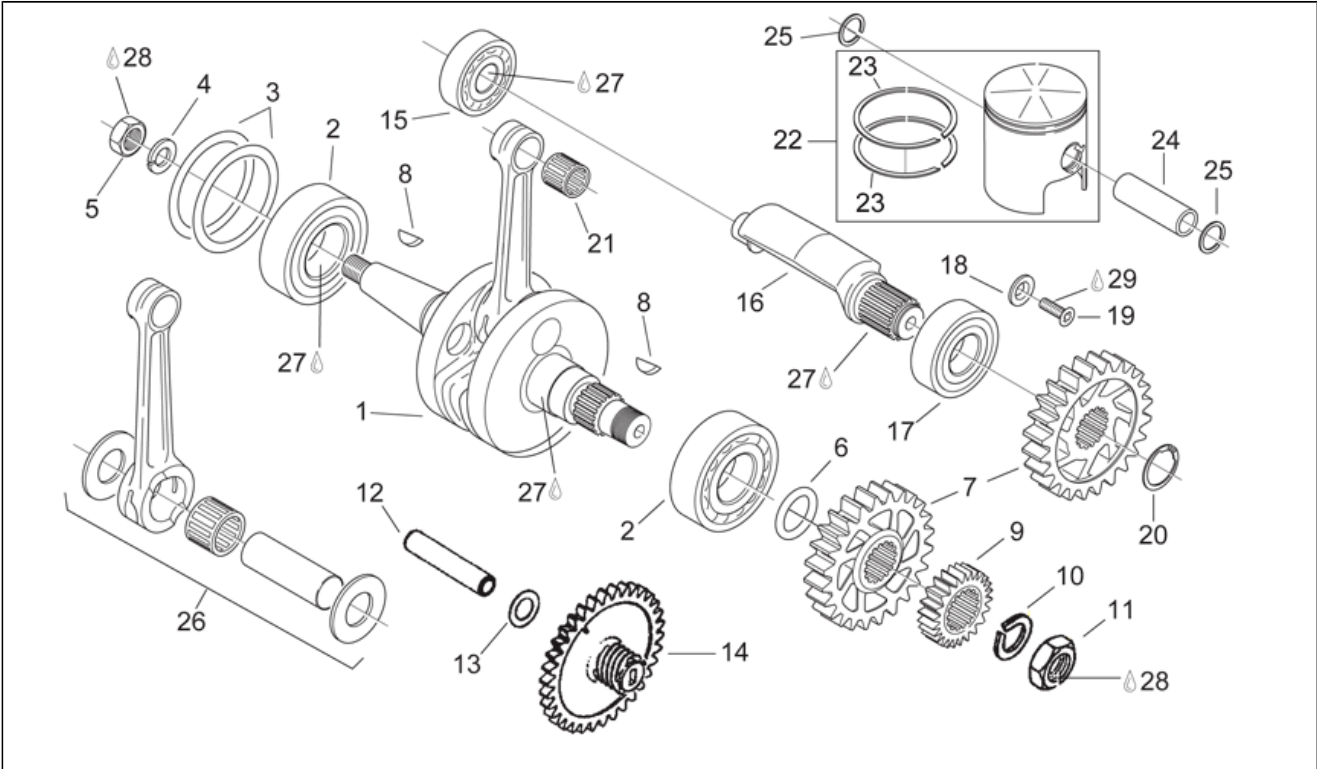
Pos.	Code	Description	Q.ty	Variants
27	AP0222195	Impeller	1	
28	AP0229280	Pin 4x16	1	
29	AP0430060	O-ring 26,7x1,8	2	
30	AP0241270	Screw w/ flange M5x25	1	
31	AP0440191	Hex socket screw M8x16	1	
32	AP0250641	Gasket ring 12x18	1	
33	AP0241782	Magnetic drain plug M12x1,5	1	
34	AP0860372	Rubber spacer	1	
35	AP0241850	Contact screw m10	1	
36	AP0241381	Stud bolt M8x28x20	2	Technical Specifications: From engine 241381[M4]
36	AP0840836	Stud bolt M8x26/20	2	Technical Specifications: Up to engine 241380[M3]
37	AP0940786	Stud bolt M8x57/20	2	
38	AP0229290	Pin 8x16	2	
39	AP0247555	Bush	2	
40	AP0897161	Molykote 111 100gr.	1	
41	AP0899788	Loctite (green) 648 5gr.	1	
42	AP0899785	Loctite (violet) 221 10cc.	1	
43	AP0293415	Water pump assy	1	

Assembly	ENGINE
Code	29.12
Description	Crankshaft - Balance shaft
Revision	1



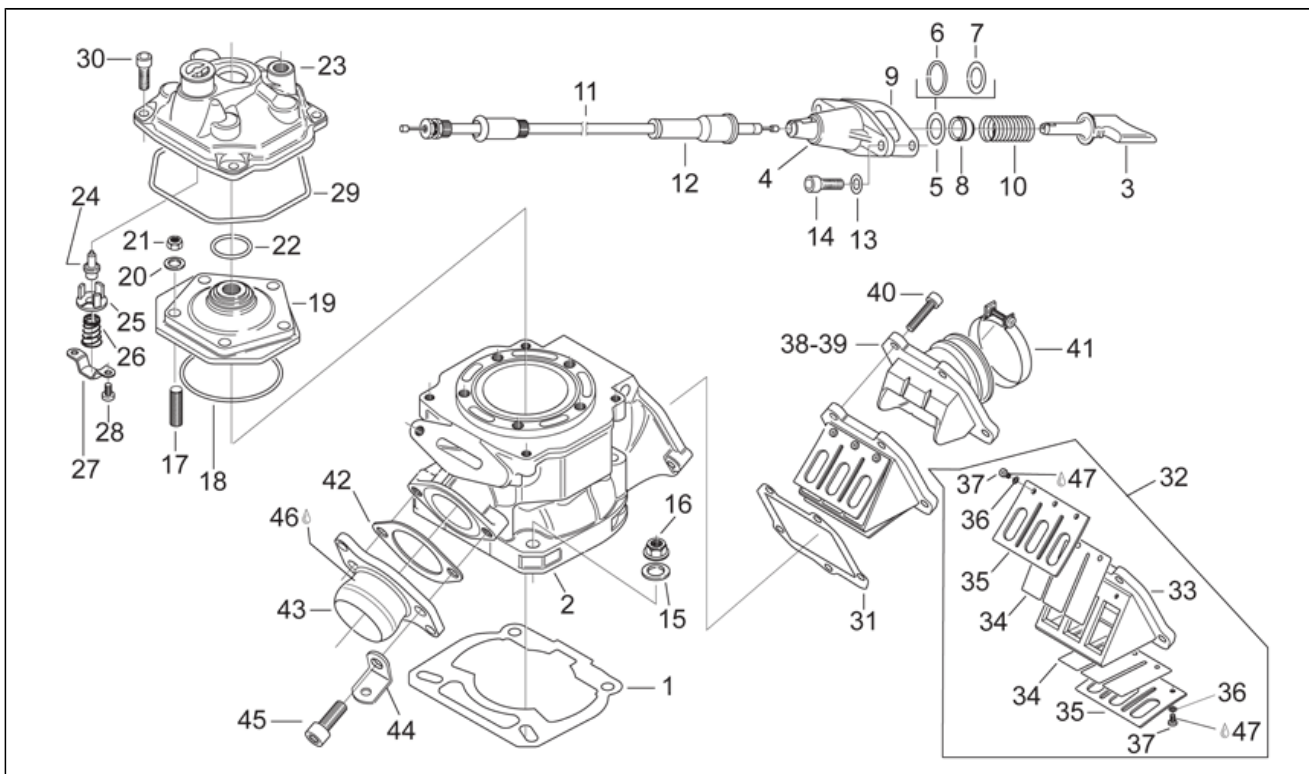
Pos.	Code	Description	Q.ty	Variants
1	AP0294770	Crankshaft cpl.	1	
2	AP0932588	Bearing 6206	2	
3	AP0427590	Spacer D50x62x0,1	1	
3	AP0427591	Spacer D50x62x0,3	1	
4	AP0945754	Break washer A12	1	
5	AP0642051	Nut M12x1	1	
6	AP0430460	O-ring 18x3,5	1	
7	AP0234430	Gear	2	Technical Specifications: Up to engine 234430[M1]
7	AP0234431	Balance shaft gear Z=27	2	Technical Specifications: From engine 234431[M2]
8	AP0246055	Transmission key 3x3,7	2	
9	AP0293925	Primary transm.	1	Technical Specifications: Up to engine 359164[M5]
9	AP0293926	Primary transm.	1	Technical Specifications: From engine 359165[M6]
10	AP0945756	Washer	1	
11	AP0242570	Nut	1	
12	AP0237905	Free pinion shaft	1	
13	AP0827590	Thrust washer 10,1/17/1	1	
14	AP0634030	Intermediate gear	1	
15	AP0232290	Ball bearing 6302 c3	1	Technical Specifications: Up to engine 360120[M8]
15	AP0232291	Bearing 6302	1	Technical Specifications: From engine 360121[M9]
16	AP0237945	Balance shaft	1	
17	AP0232340	Ball bearing 6005	1	
18	AP0227280	Thrust washer	1	
19	AP0940315	Screw M5x12	1	
20	AP0245650	Circlip AV 20	1	
21	AP0932028	Roller cage 15x19x20	1	
22	AP0294747	Piston assy 53,98 mm	1	
22	AP0294755	Piston assy 54,00 mm	1	
22	AP0294756	Piston assy	1	

Assembly	ENGINE
Code	29.12
Description	Crankshaft - Balance shaft
Revision	1



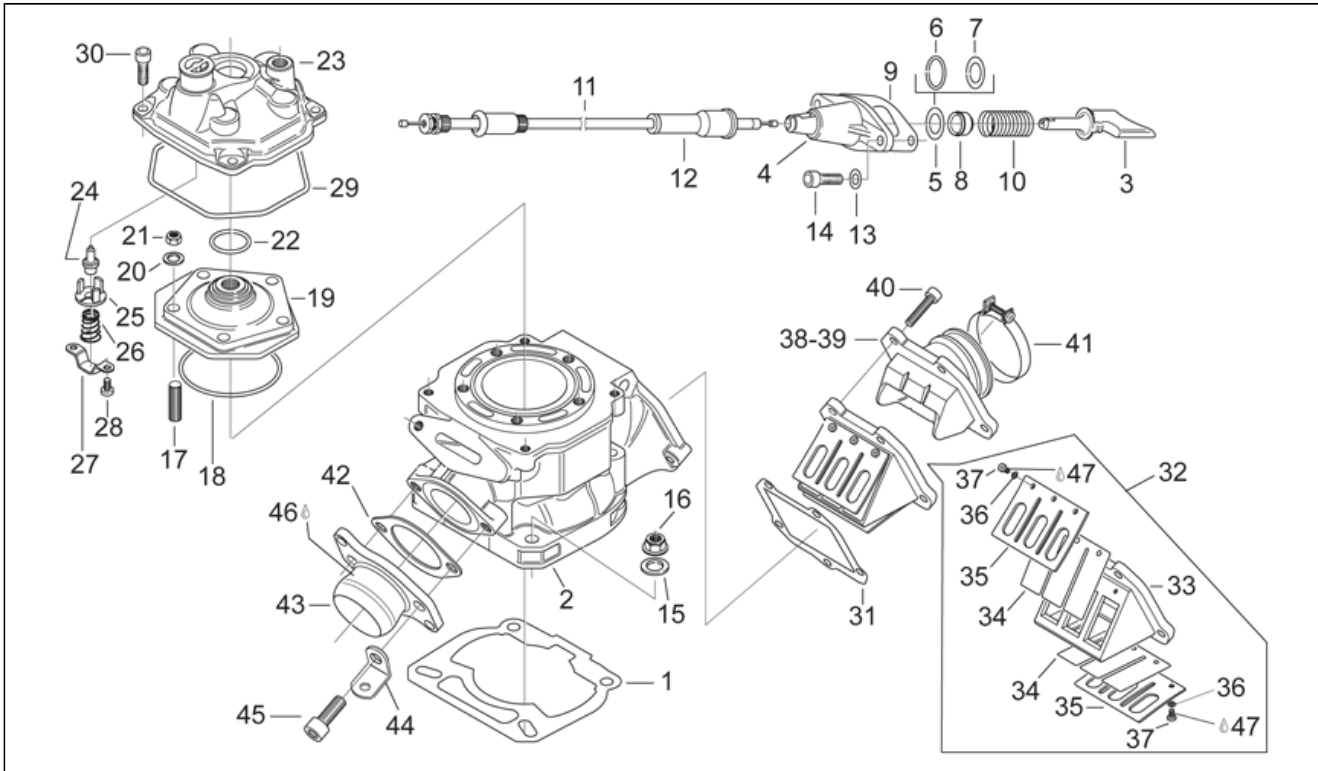
Pos.	Code	Description	Q.ty	Variants
23	AP0215670	Ring d54	2	
24	AP0216136	Piston pin	1	Technical Specifications: Up to engine 433228[M24]
24	AP0216139	Piston pin	1	Technical Specifications: From engine 433229[M25]
25	AP0945635	Stop ring D15	2	
26	AP0293849	Connecting rod 20mm	1	
27	AP0297431	Loctite Anti Seize 10 GR.	1	
28	AP0899788	Loctite (green) 648 5gr.	1	
29	AP0899785	Loctite (violet) 221 10cc.	1	

Assembly	ENGINE
Code	29.13
Description	Cylinder - Cylinder head
Revision	1



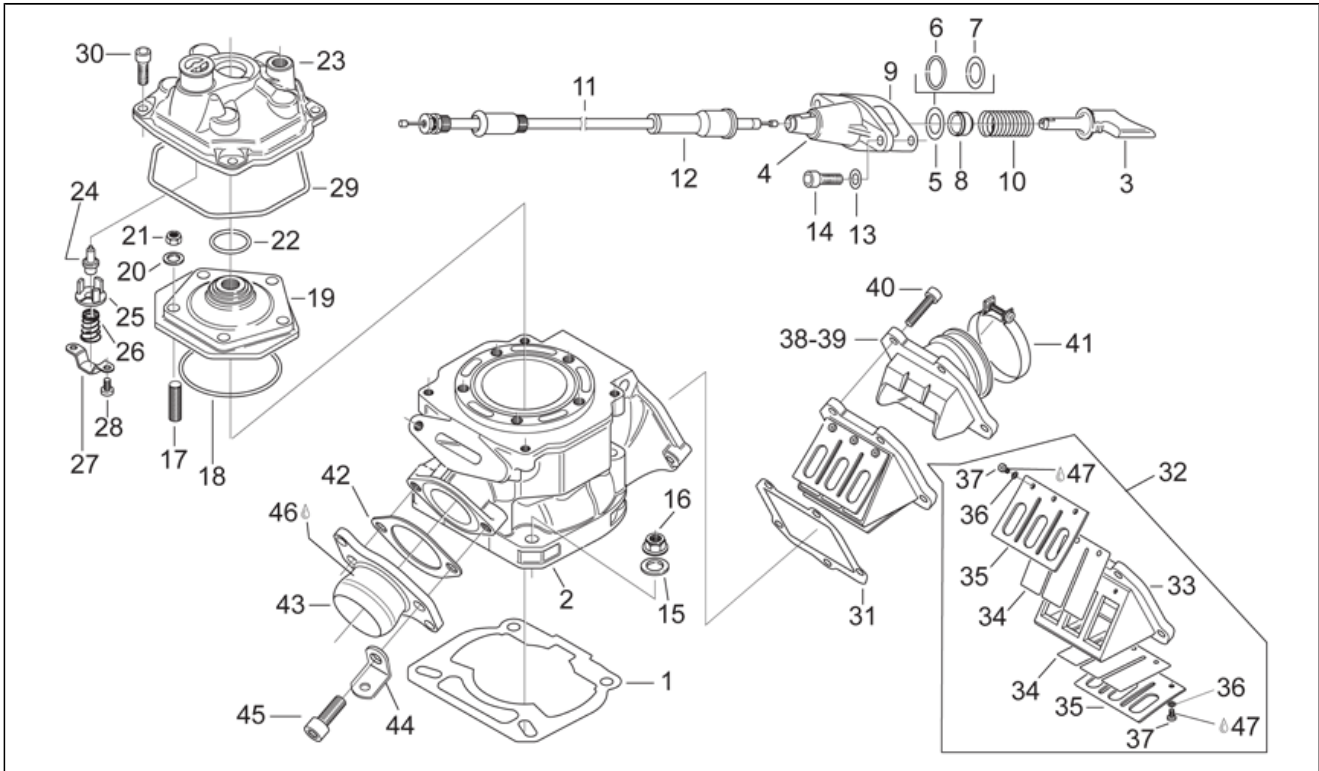
Pos.	Code	Description	Q.ty	Variants
1	AP0650090	Cylinder base gasket 0,3	1	
1	AP0650091	Cylinder base gasket 0,5	1	
1	AP0650092	Cylinder base gasket 0,8	1	Technical Specifications: Up to engine 475754[M26]
1	AP0650097	Gasket 0,8	1	Technical Specifications: From engine 475755[M27]
2	AP0223368	Cylinder	1	Country: Switzerland[CH]
2	AP0223617	Cylinder, grey	1	Country: Germany[D], Denmark[DK], Spain[E], France[F], Japan[J], Holland[NL], Portugal[P], Poland[PL], Finland[SF], Singapore[SGP], Great Britain[UK] Technical Specifications: Up to engine 377131[M16]
3	AP0253722	Exhaust valve	1	Technical Specifications: From engine 377132[M17]
4	AP0253462	Valve body	1	Technical Specifications: Up to engine 386975[M18]
4	AP0253465	Valve body	1	Technical Specifications: From engine 386976[M19]
5	AP0230880	O-ring 13,3x2,4	1	Country: Germany[D], Denmark[DK], Spain[E], France[F], Japan[J], Holland[NL], Portugal[P], Poland[PL], Finland[SF], Singapore[SGP], Great Britain[UK]
6	AP0260120	Rubber spacer 14/19/1,5	1	Country: Switzerland[CH]
7	AP0831500	O-ring 14x3	1	Country: Switzerland[CH]
8	AP0230810	Valve stem seal	1	
10	AP0239052	Spring	1	
11	AP0297740	Elect.rave valve cable	1	Technical Specifications: Up to engine 377131[M16]
11	AP8114175	Elect.rave valve cable	1	Technical Specifications: From engine 377132[M17]
12	AP0860460	Rubber cap	1	
13	AP0845020	Spring washer B6	2	
14	AP0241930	Hex socket screw M6x20	2	
15	AP0250311	Washer 8,4	4	
16	AP0942671	Nut M8	4	
17	AP0241241	Stud bolt M7x19/22	5	
18	AP0250160	O-ring 64x2	1	
19	AP0223384	Cylinder head	1	

Assembly	ENGINE
Code	29.13
Description	Cylinder - Cylinder head
Revision	1



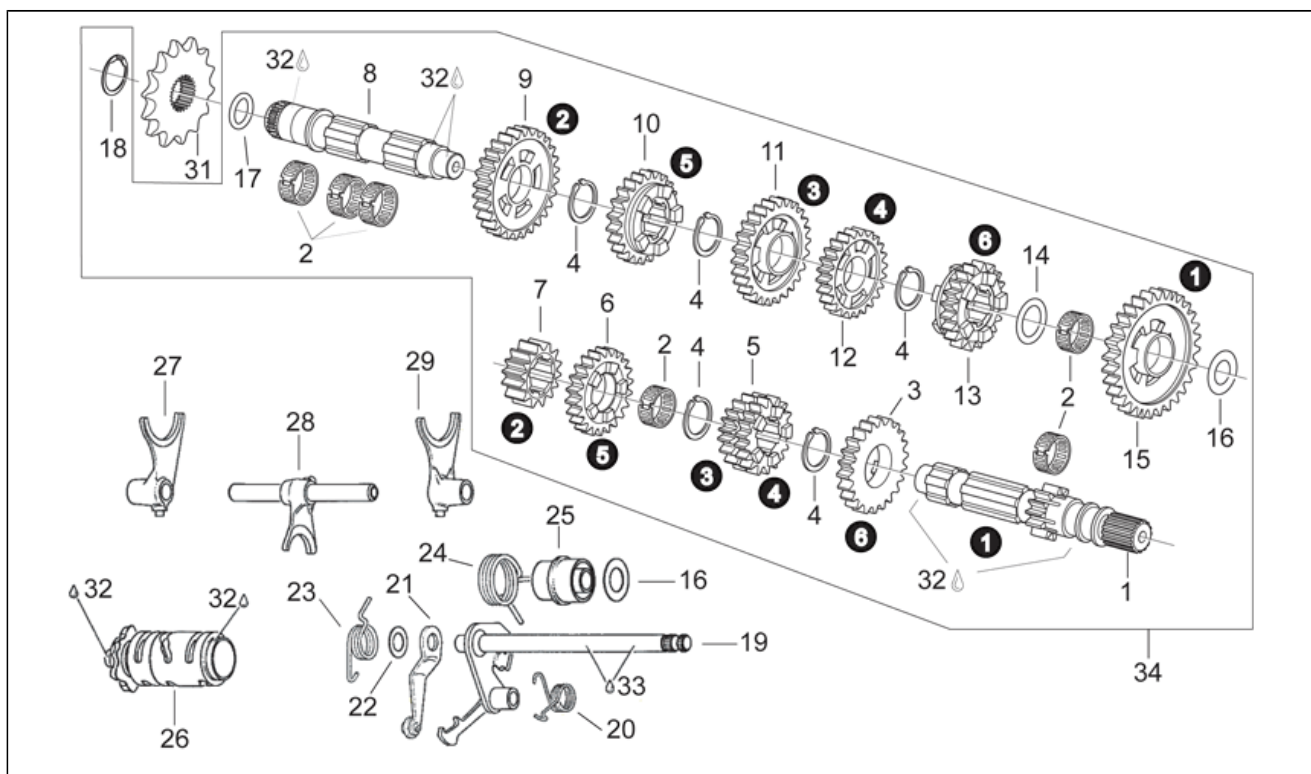
Pos.	Code	Description	Q.ty	Variants
20	AP0227571	Washer 7,4	5	
21	AP0242591	Nut m7	5	
22	AP0430782	O-ring 23,3x2,4	1	
23	AP0223398	Cylinder head cover	1	Technical Specifications: Up to engine 476675[M30]
23	AP0613100	Cylinder head cover	1	Technical Specifications: From engine 476676[M31]
24	AP0222122	Thermostat 70°	1	
25	AP0222174	Support	1	Technical Specifications: Up to engine 377092[M14]
25	AP0222175	Thermostat holder	1	Technical Specifications: From engine 377093[M15]
26	AP0239950	Spring	1	
27	AP0222200	Clamp	1	Technical Specifications: Up to engine 360355[M10]
27	AP0222202	Thermostat bow	1	Technical Specifications: From engine 360356[M11]
28	AP0240195	Special cap screw M4x8	2	
29	AP0250280	O-ring 105x2,5	1	
30	AP0241930	Hex socket screw M6x20	4	
31	AP0250521	Gasket	1	
32	AP0224387	Reed valve assy	1	
34	AP0224430	Reed valve assy	2	
36	AP0945758	Break washer A4	6	
37	AP0940235	Round screw M4x8	6	
38	AP0267915	Carburettor flange	1	Country: Germany[D], Denmark[DK], Spain[E], France[F], Japan[J], Holland[NL], Portugal[P], Poland[PL], Finland[SF], Singapore[SGP], Great Britain[UK]
38	AP0267917	Carburettor flange 28 MM	1	Country: Switzerland[CH]
39	AP0267996	Carburettor flange 34 MM	1	
40	AP0840861	Hex socket screw M6x25	5	
41	AP0251850	Hose clamp 51	1	
43	AP0273882	Exhaust flange cpl.	1	Technical Specifications: Up to engine 475941[M28]
43	AP0273970	Exhaust flange cpl.	1	Technical Specifications: From engine 475942[M29]

Assembly	ENGINE
Code	29.13
Description	Cylinder - Cylinder head
Revision	1



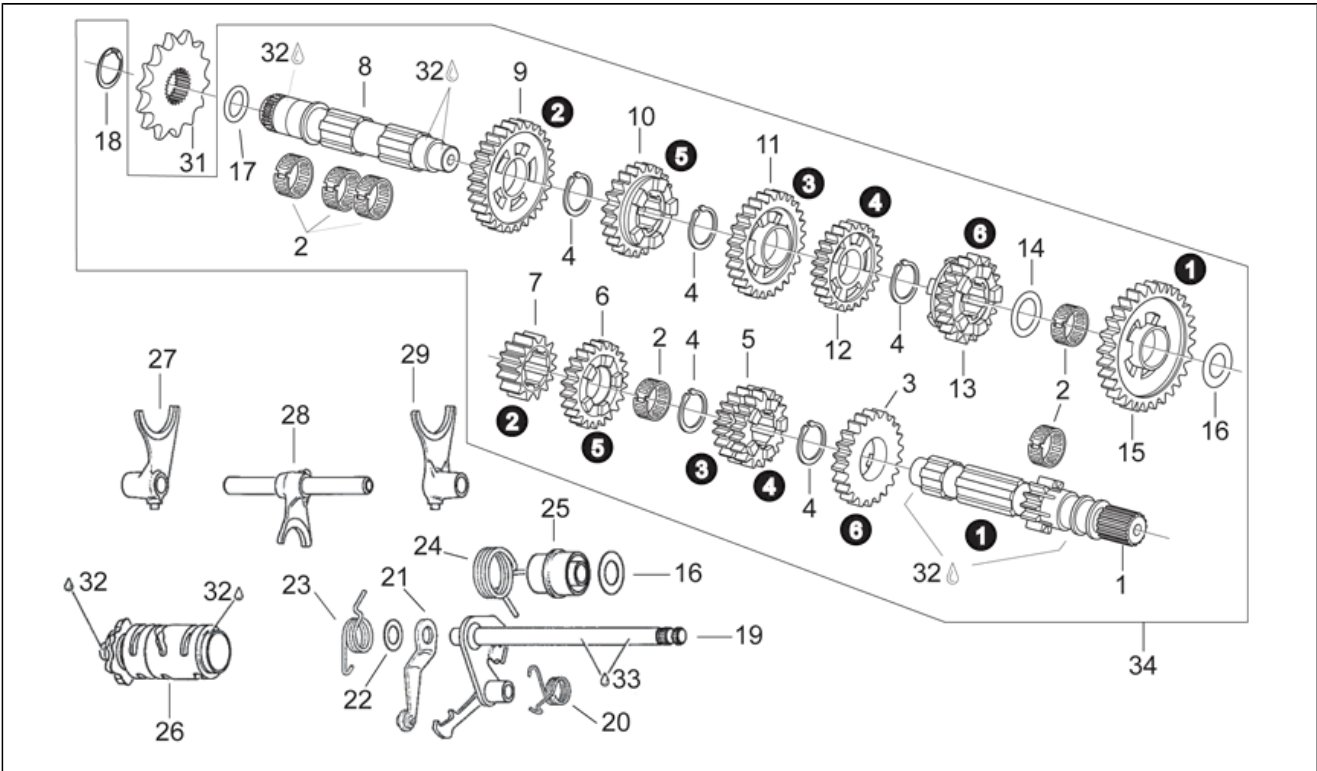
Pos.	Code	Description	Q.ty	Variants
44	AP0224067	Butt strap	2	
45	AP0240081	Hex socket screw M8x25	2	
46	AP0297431	Loctite Anti Seize 10 GR.	1	
47	AP0899788	Loctite (green) 648 5gr.	1	

Assembly	ENGINE
Code	29.14
Description	Transmission 6 speed
Revision	1



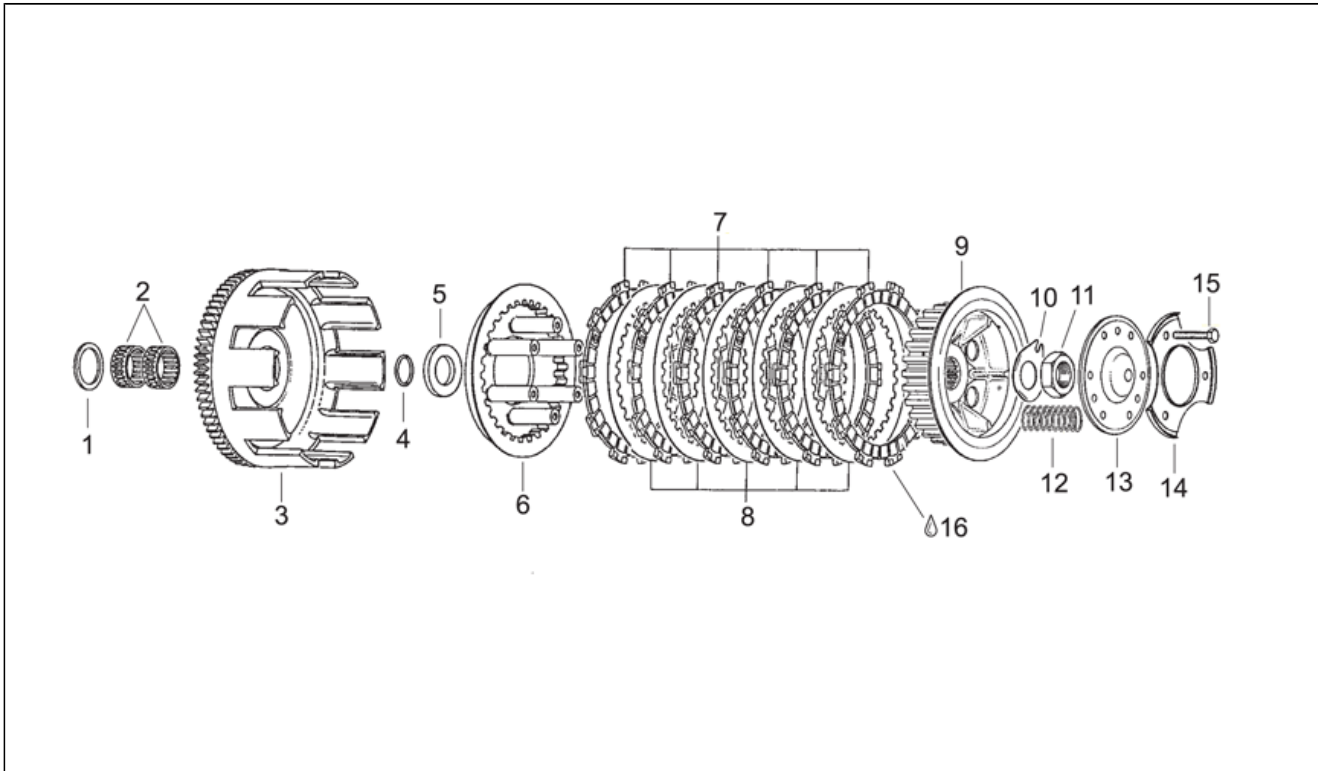
Pos.	Code	Description	Q.ty	Variants
1	AP0220075	Primary gear shaft Z=10	1	
2	AP0232742	Roller cage 21x25x10	6	
3	AP0634125	Gear Z=22	1	
4	AP0245730	Circlip 25x2	1	
5	AP0634095	Gear Z=17/19	1	
6	AP0634105	Gear Z=21	1	
7	AP0634085	2nd pinion gear Z=14	1	
8	AP0220050	Driven shaft	1	
9	AP0234968	Gear Z=29	1	
10	AP0634115	Gear Z=24	1	
11	AP0234984	Gear Z=27	1	
12	AP0234858	Gear Z=25	1	
13	AP0634135	Gear Z=23	1	
14	AP0244100	Thrust washer 21,2/30/1	1	
15	AP0634065	Gear Z=30	1	
16	AP0227430	Thrust washer 17,2/30/1	2	
17	AP0430460	O-ring 18x3,5	1	
18	AP0245650	Circlip AV 20	1	
19	AP0220066	Gearshift shaft+pawl assy	1	
20	AP0239835	Spring	1	
21	AP0248255	Index assy. lever	1	
22	AP0827261	Thrust washer 12,5/21,5	1	
23	AP0239820	Index spring	1	
24	AP0239645	Spring	1	
25	AP0247690	Spacer bush	1	
26	AP0258937	Shift cam	1	
27	AP0258903	Fork 2-3 v.ta'	1	
28	AP0258913	Fork 5-6 v.ta'	1	

Assembly	ENGINE
Code	29.14
Description	Transmission 6 speed
Revision	1



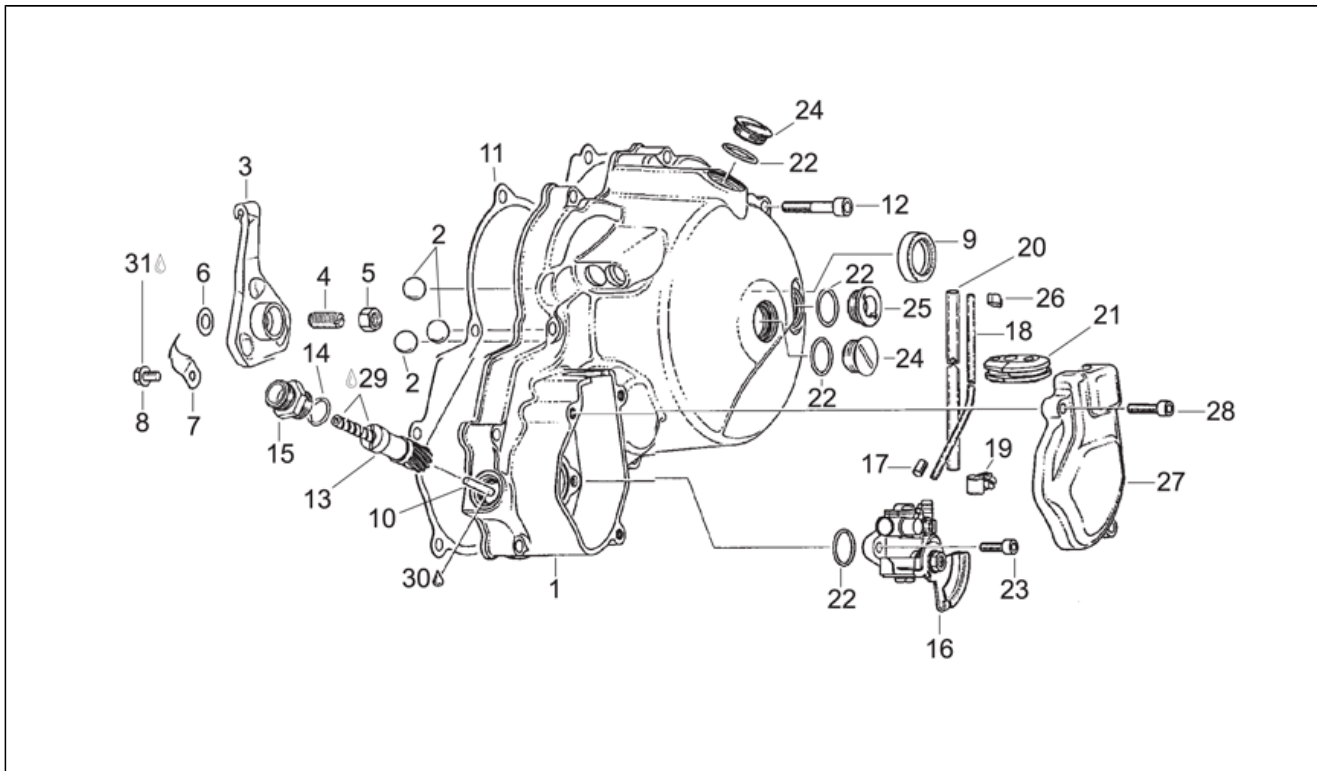
Pos.	Code	Description	Q.ty	Variants
29	AP0258893	Fork 1-4 v.tà	1	
30	AP0258880	Fork shaft	1	
31	AP0236061	Pinion Z=14	1	
31	AP0236062	Pinion Z=15	1	
31	AP0236063	Pinion Z=16	1	
31	AP0236064	Pinion Z=17	1	
32	AP0297431	Loctite Anti Seize 10 GR.	1	
33	AP0897330	Lithium-Base grease 250gr.	1	
34	AP0281184	Gear box assy 6 speeds	1	

Assembly	ENGINE
Code	29.15
Description	Clutch
Revision	1



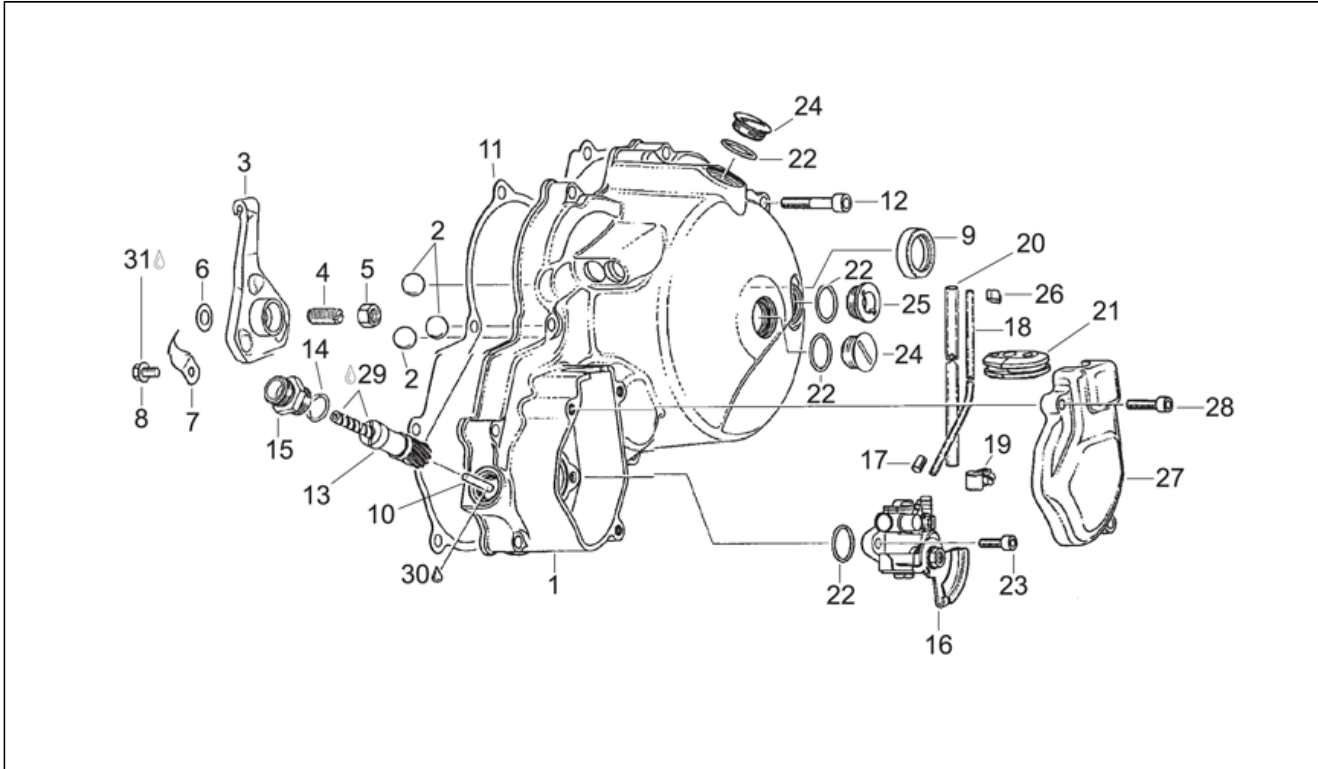
Pos.	Code	Description	Q.ty	Variants
1	AP0427460	Thrust washer 25/35/2	1	
2	AP0232652	Roller cage 25x29x10	2	
3	AP0293925	Primary transm.	1	Technical Specifications: Up to engine 359164[M5]
3	AP0293926	Primary transm.	1	Technical Specifications: From engine 359165[M6]
4	AP0250890	O-ring 3771	1	
5	AP0227600	Thrust washer 20,2x35x3	1	
6	AP0259570	Springholder plate	1	
7	AP0259052	Lined clutch disc	6	Technical Specifications: Up to engine 401076[M22]
7	AP0259053	Lined clutch disc 3,1 MM	6	Technical Specifications: From engine 401077[M23]
8	AP0259557	Clutch disc 1 MM	5	
9	AP0259065	Clutch hub	1	
10	AP0245740	Safety washer	1	
11	AP0942220	Nut M18x1,5	1	
12	AP0239625	Clutch spring 34,1 MM	6	
13	AP0259165	Pressure plate cpl.	1	
14	AP0259420	Springs plate guide	1	
15	AP0241770	Hex screw M5x25	6	

Assembly	ENGINE
Code	29.16
Description	Clutch cover-Oil pump
Revision	1



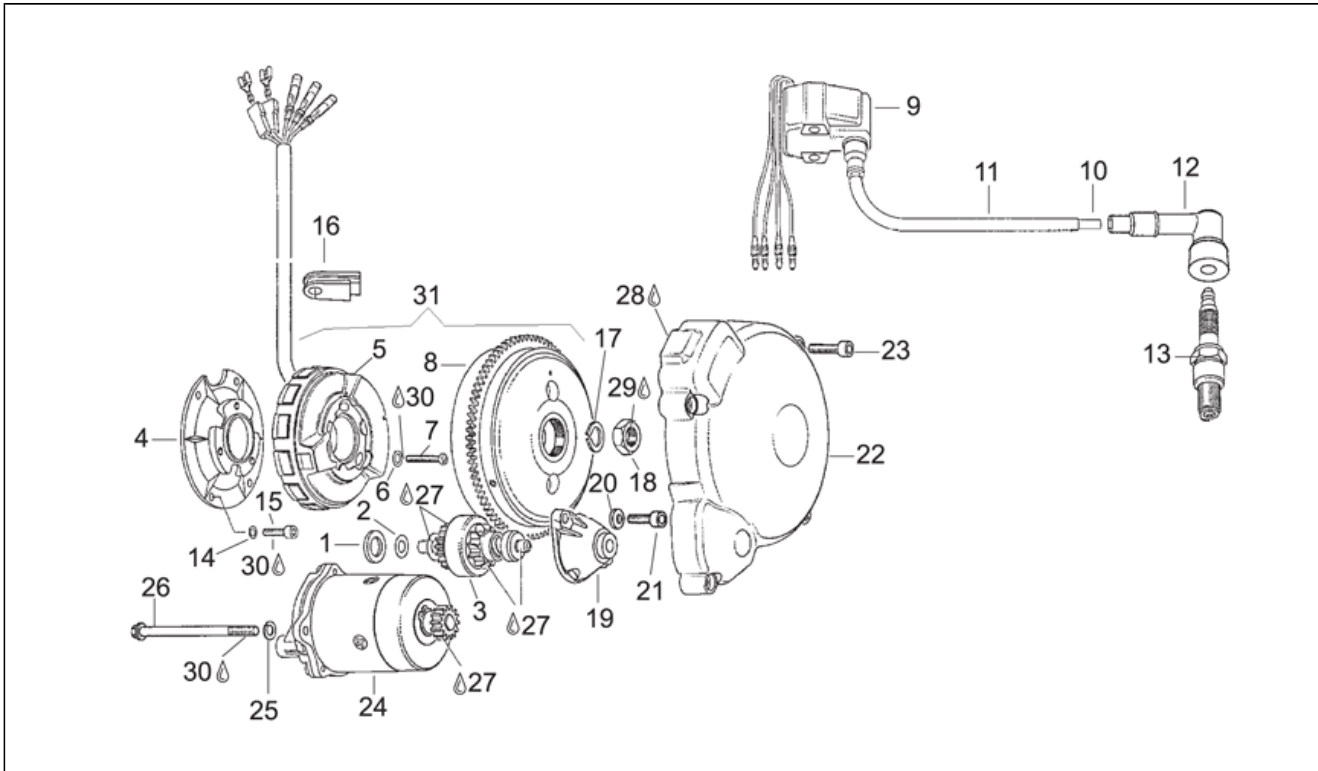
Pos.	Code	Description	Q.ty	Variants
1	AP0210920	Clutch cover	1	
2	AP0232150	Ball 12 MM	3	
3	AP0259320	Cam lever	1	
4	AP0241791	Screw M8x16	1	
5	AP0942671	Nut M8	1	
6	AP0227945	Thrust washer 8,1/15	1	
7	AP0239905	Spring	1	
8	AP0841680	Special TE screw m5x8	1	
9	AP0250450	Oil seal 12x28x7	1	
10	AP0232420	Pin 4x19,8	1	
11	AP0250200	Gasket	1	
12	AP0241811	Hex socket screw m6x35	11	
13	AP0237160	Tachometer shaft	1	
14	AP0430600	O-ring 12-1,5 mm	1	
15	AP0241071	Union	1	
16	AP0294730	Oil pump assy.	1	
17	AP0256400	Hose clamp	1	
18	AP0256410	Pipe 350 MM	1	
19	AP0951591	Hose clamp 7	1	
20	AP0256037	Pipe 850 MM	1	
21	AP0260030	Rubber, wire cover	1	
22	AP0250890	O-ring 3771	4	
23	AP0840510	Hex socket screw M5x16	2	
24	AP0241800	Plug M18x1,5	2	Technical Specifications:Up to engine 361169[M12]
24	AP0241801	Plastic plug M18x1,5	2	Technical Specifications:From engine 361170[M13]
25	AP0240820	Oil level screw M18x1,5	1	
26	AP0853840	Hose clamp 35553	1	
27	AP0210930	Oil pump cover	1	

Assembly	ENGINE
Code	29.16
Description	Clutch cover-Oil pump
Revision	1



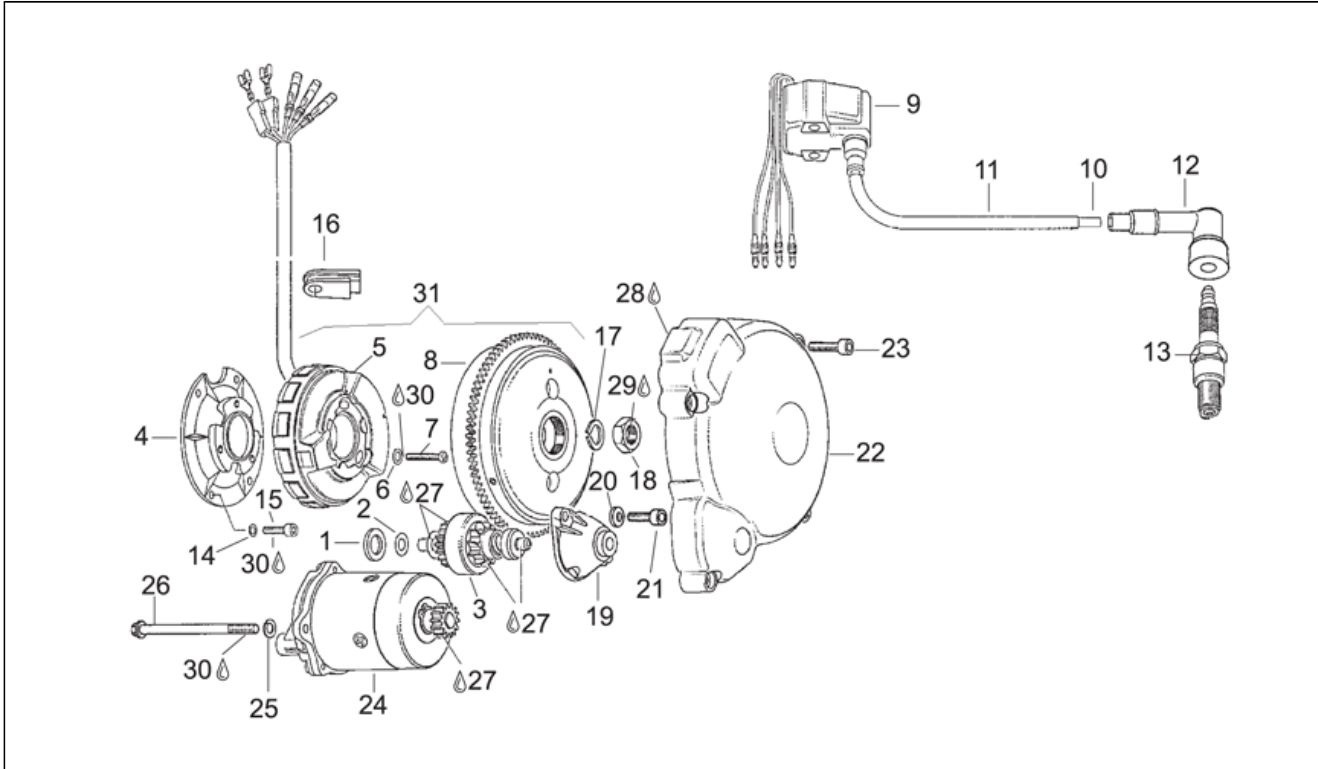
Pos.	Code	Description	Q.ty	Variants
28	AP0240181	Hex socket screw M5x20	3	
30	AP0899788	Loctite (green) 648 5gr.	1	
31	AP0899785	Loctite (violet) 221 10cc.	1	

Assembly	ENGINE
Code	29.17
Description	Ignition unit
Revision	1



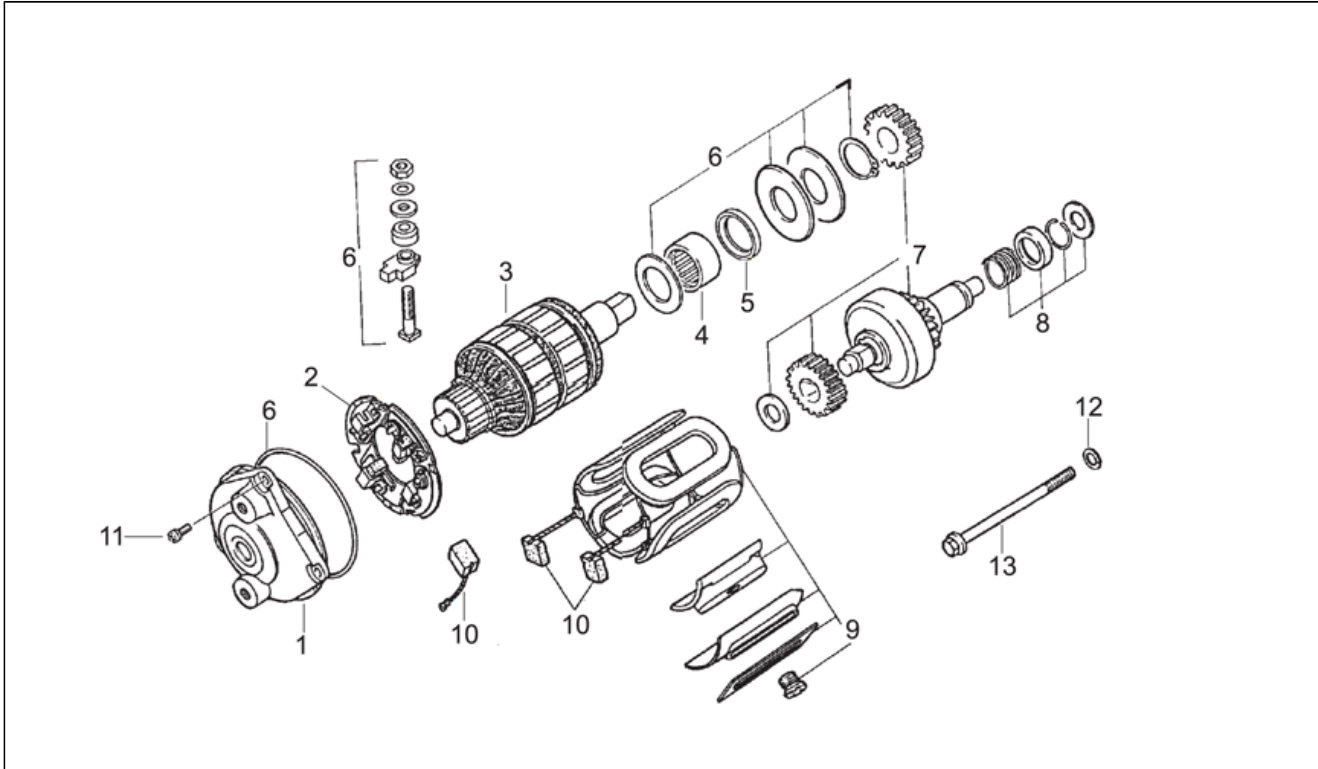
Pos.	Code	Description	Q.ty	Variants
1	AP0827265	Washer	1	
2	AP0227945	Thrust washer 8,1/15	1	
3	AP0293690	Starter motor gear	1	
4	AP0265965	Support disc	1	
5	AP0293377	Stator	1	
6	AP0927571	Washer D14	3	
7	AP0241591	Round screw M5x30	3	
8	AP0293367	Flywheel rotor	1	
9	AP0265987	Coil	1	
10	AP0964180	Wire A.T.200 mm	1	
11	AP0260434	Sheath	1	
12	AP0866708	Sparkplug cap, black	1	
13	AP0297830	Spark plug BR10EG	1	
14	AP0945750	Break washer a5	4	
15	AP0240150	Hex socket screw m5x14	4	
16	AP0260840	Rubber, wire cover	1	
17	AP0945754	Break washer A12	1	
18	AP0642051	Nut M12x1	1	
19	AP0210340	Starter motor cover	1	
20	AP0244930	Spring washer	2	
21	AP0241930	Hex socket screw M6x20	2	
22	AP0211050	Flywheel cover	1	
23	AP0840861	Hex socket screw M6x25	4	
24	AP0293685	Starter motor	1	
25	AP0945751	Break washer a6	2	
26	AP0241301	Screw M6x90	2	
27	AP0897161	Molykote 111 100gr.	1	
28	AP0297386	Silastic 732 Rtv 100 gr.	1	

Assembly	ENGINE
Code	29.17
Description	Ignition unit
Revision	1



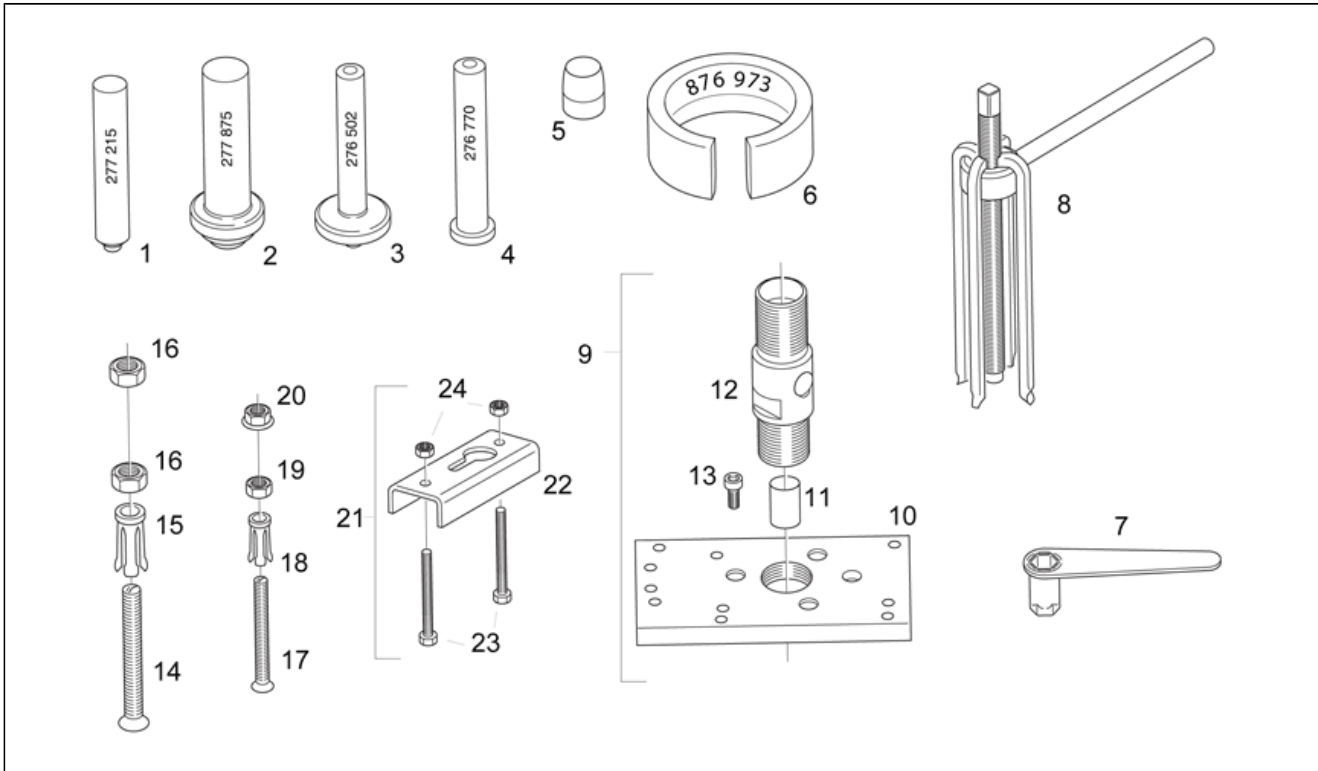
Pos.	Code	Description	Q.ty	Variants
29	AP0899788	Loctite (green) 648 5gr.	1	
30	AP0899785	Loctite (violet) 221 10cc.	1	
31	AP0294451	Cdi magneto assy	1	

Assembly	ENGINE
Code	29.18
Description	Starter motor
Revision	1



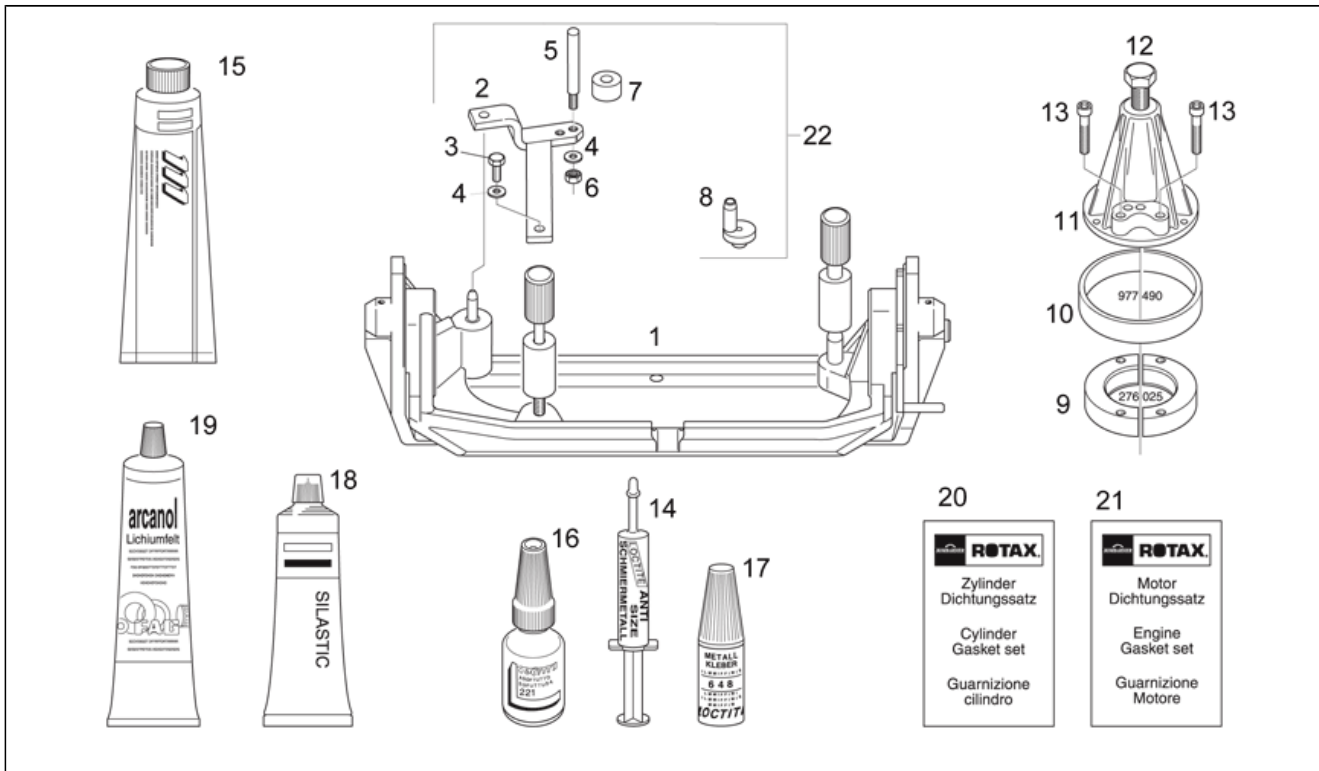
Pos.	Code	Description	Q.ty	Variants
1	AP0264010	Support	1	
2	AP0264030	Brush holder cpl.	1	
3	AP0264050	Rotor	1	
4	AP0232460	Roller cage	1	
5	AP0250350	Oil seal 16x23x3	1	
6	AP0264070	Hardware, set	1	
7	AP0293890	Gear cpl.	1	
8	AP0264060	Spring-washer-ring	1	
9	AP0264040	Inductor	1	
10	AP0264045	Brush, carbon	4	
11	AP0241215	Screw M4x10	3	
12	AP0945751	Break washer a6	2	
13	AP0241301	Screw M6x90	2	

Assembly	SPECIAL TOOLS
Code	31.19
Description	Repairing tools I
Revision	1



Pos.	Code	Description	Q.ty	Variants
1	AP0277850	Oil seal drift-balance shaft	1	
2	AP0277875	Insertion jig assy.	1	
3	AP0276502	Insertion jig assy.	1	
4	AP0276770	Insertion jig assy.	1	
5	AP0277970	Spring guide bush	1	
6	AP0876973	Piston ring spanner 54 MM	1	
7	AP0276040	Clutch key 11 MM	1	
8	AP0277180	Bearing extractor kit	1	
9	AP0277455	Puller plate	1	
10	AP0277450	Puller plate	1	
11	AP0277470	Sheath	1	
12	AP0277460	Puller screw	1	
13	AP0241236	Hex socket screw M6x16	4	
14	AP0276380	Threaded pin M10	1	
15	AP0276370	Bush	1	
16	AP0242090	Nut M10	2	
17	AP0276382	Threaded pin	1	
18	AP0276372	Bush	1	
19	AP0242206	Nut M8	1	
20	AP0242700	Nut M8	1	
21	AP0277445	Exhaust valve puller cpl.	1	
22	AP0277440	Exhaust valve puller cpl.	1	
23	AP0240860	Hex screw M6x60	2	
24	AP0242211	Nut M6	2	

Assembly	SPECIAL TOOLS
Code	31.20
Description	Repairing tools II
Revision	1



Pos.	Code	Description	Q.ty	Variants
1	AP0277917	Engine support cpl.	1	
2	AP0277100	Adapter cpl	1	
3	AP0940590	Hex screw M8x20	1	
4	AP0250311	Washer 8,4	2	
5	AP0277110	Threaded pin	1	
6	AP0242206	Nut M8	1	
7	AP0847160	Spacer 10,5/24/15	1	
8	AP0276662	Bush	1	
9	AP0276025	Half ring	2	
10	AP0977490	Ring	1	
11	AP0876298	Puller cpl.	1	
12	AP0940755	Hex screw M16x145	1	
13	AP0840681	Hex socket screw M8x40	4	
14	AP0297431	Loctite Anti Seize 10 GR.	1	
15	AP0897161	Molykote 111 100gr.	1	
16	AP0899785	Loctite (violet) 221 10cc.	1	
17	AP0899788	Loctite (green) 648 5gr.	1	
18	AP0297386	Silastic 732 Rtv 100 gr.	1	
19	AP0897330	Lithium-Base grease 250gr.	1	
20	AP0293317	Cylinder gasket kit	1	
21	AP0293312	Gasket set	1	
22	AP0277107	Tool kit	1	