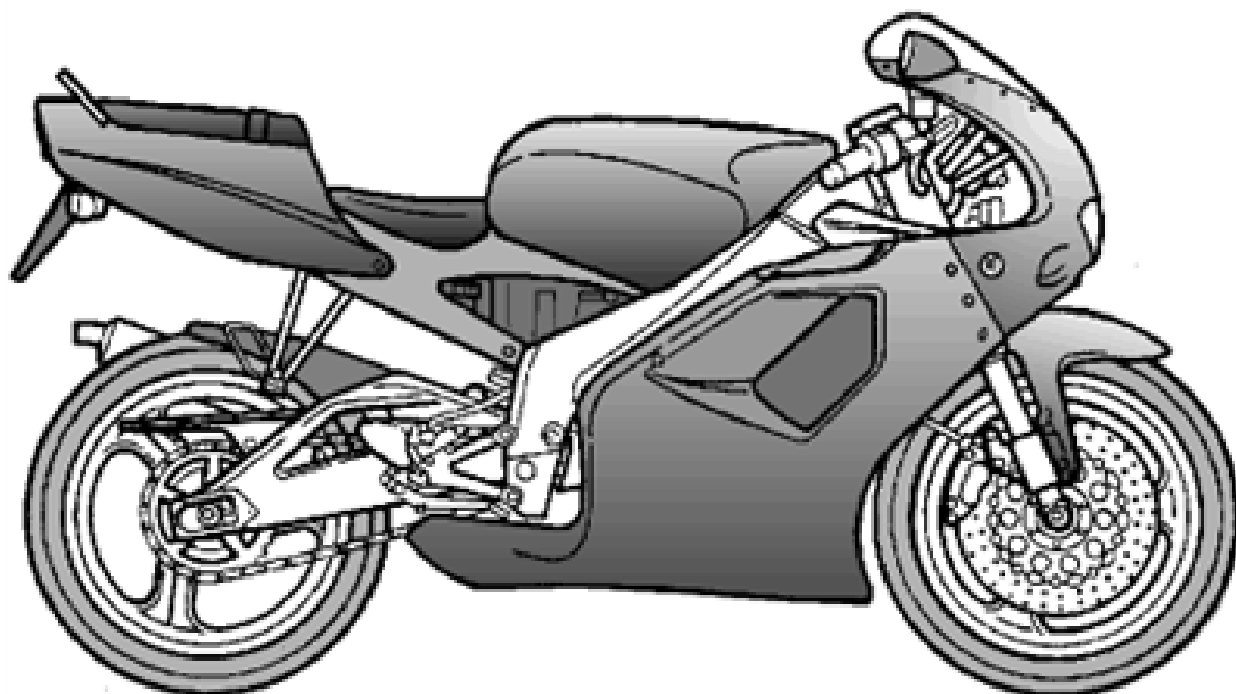




PIAGGIO & C.s.p.a.

aprilia

SPARE PARTS CATALOGUE



RS 125 1996-1998 (eng.122cc)

Chassis prefix: ZD4MP

Engine prefix:

RS 125

332T

Index

Products.....	3
Part reference.....	7
FRAME.....	12
Drawing 28.01 - Frame.....	12
Drawing 28.02 - Body.....	15
Drawing 28.03 - Handlebar - Dashboard.....	24
Drawing 28.04 - Rear shock absorber.....	27
Drawing 28.06 - Front wheel complete.....	29
Drawing 28.07 - Rear wheel.....	30
Drawing 28.08 - Front fork.....	33
Drawing 28.09 - Electrical system.....	34
Drawing 28.10 - Plate set and decal.....	36
ENGINE.....	40
Drawing 29.05 - Engine.....	40
Drawing 29.11 - Crankcase.....	44
Drawing 29.12 - Water pump assy.....	45
Drawing 29.13 - Crankshaft - Balance shaft.....	46
Drawing 29.14 - Cylinder - Head - Piston.....	47
Drawing 29.15 - Carburettor flange.....	49
Drawing 29.16 - Cylinder - Exhaust valve.....	50
Drawing 29.17 - Transmission 6 speed.....	51
Drawing 29.18 - Grip shift.....	52
Drawing 29.19 - Clutch.....	53
Drawing 29.20 - Clutch cover.....	54
Drawing 29.21 - Oil pump.....	55
Drawing 29.22 - Ignition unit.....	56
SPECIAL TOOLS.....	57
Drawing 31.23 - Repairing tools I.....	57
Drawing 31.24 - Repairing tools II.....	58

Products

Code	Validity
AP66200IT01	
AP66200IT02	
AP66200IT03	
AP66200IT04	
AP66200MY05	
AP66200MY06	
AP66202DE01	
AP66202DE03	
AP66202DE04	
AP66202ES03	
AP66202ES04	
AP66202IT01	
AP66202IT02	
AP66202IT03	
AP66202IT04	
AP66203IT01	
AP66203IT02	
AP66204AT01	
AP66204DE01	
AP66204DE02	
AP66204DK01	
AP66204DK02	
AP66204ES01	
AP66204ES02	
AP66204FI01	
AP66204FR01	
AP66204FR02	
AP66204IT01	
AP66204IT02	
AP66205AU01	
AP66205AU02	
AP66205CH01	
AP66205CH02	
AP66205DE01	
AP66205DE02	
AP66205DK01	
AP66205DK02	
AP66205GB01	
AP66205GB02	
AP66205JP01	
AP66205SG01	
AP66205SG02	

Code	Validity
AP66210AT01	
AP66210BE01	
AP66210BE03	
AP66210BE04	
AP66210BE05	
AP66210DE01	
AP66210DE02	
AP66210DE03	
AP66210DE04	
AP66210DE05	
AP66210ES01	
AP66210ES02	
AP66210FI01	
AP66210FI02	
AP66210FI03	
AP66210FI04	
AP66210FI05	
AP66210FR01	
AP66210FR02	
AP66210FR03	
AP66210FR04	
AP66210FR05	
AP66210IT01	
AP66210IT02	
AP66210IT03	
AP66210IT04	
AP66210IT05	
AP66211AU01	
AP66211AU02	
AP66211AU03	
AP66211AU04	
AP66211AU05	
AP66211AU06	
AP66211AU07	
AP66211BE01	
AP66211BE03	
AP66211BE04	
AP66211BE05	
AP66211BE06	
AP66211BE07	
AP66211CH01	
AP66211CH02	
AP66211CH03	
AP66211CH04	
AP66211CH05	

Code	Validity
AP66211CH06	
AP66211CH07	
AP66211DE01	
AP66211DE02	
AP66211DE03	
AP66211DE04	
AP66211DE05	
AP66211DE06	
AP66211DE07	
AP66211DK01	
AP66211DK02	
AP66211DK04	
AP66211DK05	
AP66211DK06	
AP66211DK07	
AP66211EL01	
AP66211EL02	
AP66211EL03	
AP66211EL04	
AP66211EL05	
AP66211ES01	
AP66211ES02	
AP66211ES03	
AP66211ES04	
AP66211ES05	
AP66211ES06	
AP66211ES07	
AP66211GB01	
AP66211GB02	
AP66211GB03	
AP66211GB04	
AP66211GB05	
AP66211GB06	
AP66211GB07	
AP66211JP01	
AP66211JP03	
AP66211JP04	
AP66211JP05	
AP66211JP06	
AP66211NL01	
AP66211NL02	
AP66211NL03	
AP66211NL04	
AP66211NL05	
AP66211NL06	

Code	Validity
AP66211NL07	
AP66211PT01	
AP66211PT02	
AP66211PT03	
AP66211PT04	
AP66211PT05	
AP66211PT06	
AP66211PT07	
AP66211SG01	
AP66211SG03	
AP66211SG04	
AP7106242	
AP7106280	
AP7999003	

Code	Drawing Nr.	Pos.	Code	Drawing Nr.	Pos.	Code	Drawing Nr.	Pos.
0000000	28.06	9	AP0236062	29.17	19	AP0256400	29.21	2
0000000	28.07	12	AP0236063	29.17	19	AP0256410	29.21	3
0000000	29.19	22	AP0236064	29.17	19	AP0258113	29.18	8
AP0210345	29.22	17	AP0237912	29.12	3	AP0258123	29.18	7
AP0210795	29.14	17	AP0237945	29.13	11	AP0258135	29.18	5
AP0211403	29.20	1	AP0239052	29.16	8	AP0258200	29.18	9
AP0211405	29.20	1	AP0239241	29.18	15	AP0258305	29.18	1
AP0211440	29.21	10	AP0239252	29.18	19	AP0259053	29.19	7
AP0211455	29.22	18	AP0239265	29.19	14	AP0259165	29.19	11
AP0215670	29.14	17	AP0239270	29.19	19	AP0259325	29.20	3
AP0216135	29.14	18	AP0239625	29.19	10	AP0259420	29.19	12
AP0216139	29.14	18	AP0239907	29.20	7	AP0259470	29.19	9
AP0220134	29.19	17	AP0239950	29.14	11	AP0259557	29.19	8
AP0220280	29.17	8	AP0240081	29.16	18	AP0259570	29.19	6
AP0220295	29.18	18	AP0240195	29.14	13	AP0260030	29.21	6
AP0220300	29.17	1	AP0240820	29.20	13	AP0260840	29.22	10
AP0222120	29.14	9	AP0240860	31.23	23	AP0265157	29.22	5
AP0222122	29.14	9	AP0241236	29.16	23	AP0265402	29.22	11
AP0222175	29.14	10	AP0241236	31.23	13	AP0265405	29.22	11
AP0222182	29.12	1	AP0241270	29.12	9	AP0265415	29.22	12
AP0222195	29.12	6	AP0241381	29.11	18	AP0267915	29.15	6
AP0222202	29.14	12	AP0241770	29.19	13	AP0267917	29.15	6
AP0223384	29.14	4	AP0241782	29.20	16	AP0273970	29.16	16
AP0223389	29.14	4	AP0241791	29.20	4	AP0276025	31.24	9
AP0223398	29.14	8	AP0241801	29.20	14	AP0276040	31.23	7
AP0223618	29.14	2	AP0241821	29.11	16	AP0276370	31.23	15
AP0223618	29.16	2	AP0241821	29.18	16	AP0276372	31.23	18
AP0223990	29.14	2	AP0241930	29.14	15	AP0276380	31.23	14
AP0224067	29.16	17	AP0241930	29.16	12	AP0276382	31.23	17
AP0224260	29.11	3	AP0242091	31.23	16	AP0276502	31.23	3
AP0224387	29.15	2	AP0242206	29.14	20	AP0276662	31.24	8
AP0224388	29.15	2	AP0242206	31.23	19	AP0276770	31.23	4
AP0224430	29.15	3	AP0242206	31.24	6	AP0277100	31.24	2
AP0227280	29.13	13	AP0242211	31.23	24	AP0277107	31.24	22
AP0227280	29.19	2	AP0242515	29.13	5	AP0277110	31.24	5
AP0227325	29.11	21	AP0242515	29.22	8	AP0277180	31.23	8
AP0227430	29.17	16	AP0242700	31.23	20	AP0277215	31.23	1
AP0227450	29.18	22	AP0244100	29.17	14	AP0277440	31.23	22
AP0227710	29.18	14	AP0244585	29.19	16	AP0277445	31.23	21
AP0227945	29.20	6	AP0245570	29.18	10	AP0277450	31.23	10
AP0227945	29.22	1	AP0245650	29.13	9	AP0277455	31.23	9
AP0228220	29.19	18	AP0245650	29.17	18	AP0277460	31.23	12
AP0228250	29.11	22	AP0245730	29.17	4	AP0277470	31.23	11
AP0229280	29.12	4	AP0245790	29.18	3	AP0277875	31.23	2
AP0229380	29.11	2	AP0246570	29.13	8	AP0277917	31.24	1
AP0229380	29.12	11	AP0247555	29.11	7	AP0277970	31.23	5
AP0229390	29.18	6	AP0248325	29.18	13	AP0281210	29.17	21
AP0230195	29.12	2	AP0248365	29.19	20	AP0293314	31.24	21
AP0230415	29.11	15	AP0250160	29.14	3	AP0293318	31.24	20
AP0230425	29.11	10	AP0250205	29.20	10	AP0293417	29.12	13
AP0230810	29.16	6	AP0250271	29.16	15	AP0294735	29.21	1
AP0230880	29.16	5	AP0250280	29.14	14	AP0294747	29.14	16
AP0232150	29.20	2	AP0250311	29.16	13	AP0294748	29.14	16
AP0232275	29.11	4	AP0250311	31.24	4	AP0294755	29.14	16
AP0232291	29.11	8	AP0250455	29.20	9	AP0294800	29.22	15
AP0232291	29.13	10	AP0250521	29.15	1	AP0294810	29.22	2
AP0232340	29.13	12	AP0250641	29.20	15	AP0295360	29.22	20
AP0232402	29.18	2	AP0250890	29.20	12	AP0295365	29.22	20
AP0232742	29.17	2	AP0250890	29.21	7	AP0295373	29.13	1
AP0232742	29.19	4	AP0250975	29.16	7	AP0295374	29.13	17
AP0232765	29.11	12	AP0251080	29.21	4	AP0295385	29.11	1
AP0234415	29.12	7	AP0251850	29.15	8	AP0295388	29.11	1
AP0234431	29.13	7	AP0253373	29.16	19	AP0295400	29.19	5
AP0234858	29.17	12	AP0253465	29.16	4	AP0295406	29.19	5
AP0234968	29.17	9	AP0253500	29.16	20	AP0295670	29.22	3
AP0234984	29.17	11	AP0253722	29.16	3	AP0295677	29.22	4
AP0236061	29.17	19	AP0256037	29.21	5	AP0297386	29.11	20

Code	Drawing Nr.	Pos.	Code	Drawing Nr.	Pos.	Code	Drawing Nr.	Pos.
AP0297386	29.22	22	AP0899785	29.22	19	AP8102685	28.10	12
AP0297386	31.24	18	AP0899785	31.24	16	AP8102704	28.01	33
AP0297431	29.13	18	AP0899788	29.11	19	AP8102705	28.02	23
AP0297431	29.16	24	AP0899788	29.11	25	AP8102706	28.02	24
AP0297431	29.17	20	AP0899788	29.13	19	AP8102798	28.01	2
AP0297431	31.24	14	AP0899788	29.15	9	AP8102801	28.02	25
AP0297745	29.16	9	AP0899788	29.22	16	AP8102802	28.02	8
AP0297830	29.22	14	AP0899788	31.24	17	AP8102849	28.10	12
AP0427590	29.13	3	AP0924150	29.11	6	AP8103235	28.08	25
AP0427591	29.13	3	AP0930675	29.11	11	AP8106013	29.05	3
AP0427690	29.18	20	AP0930725	29.20	17	AP8106194	29.05	2
AP0430060	29.12	8	AP0932028	29.13	16	AP8106266	29.15	2
AP0430460	29.13	6	AP0932032	29.11	9	AP8106304	29.05	1
AP0430460	29.17	17	AP0932588	29.13	2	AP8106314	29.05	2
AP0430782	29.14	7	AP0940065	29.14	6	AP8106314	29.05	2
AP0613100	29.14	8	AP0940235	29.15	5	AP8106314	29.05	2
AP0632010	29.11	5	AP0940315	29.13	14	AP8106315	29.05	11
AP0632060	29.18	4	AP0940315	29.19	3	AP8106316	29.05	32
AP0634035	29.12	10	AP0940481	29.14	6	AP8106346	29.05	37
AP0634055	29.19	15	AP0940590	31.24	3	AP8106349	29.05	1
AP0634065	29.17	15	AP0940755	31.24	12	AP8106365	29.14	2
AP0634085	29.17	7	AP0940786	29.11	13	AP8106397	29.05	2
AP0634095	29.17	5	AP0941925	29.22	9	AP8106398	29.05	1
AP0634105	29.17	6	AP0942671	29.16	14	AP8106431	29.14	16
AP0634115	29.17	10	AP0942671	29.20	5	AP8106432	29.14	16
AP0634125	29.17	3	AP0945635	29.14	19	AP8106433	29.14	16
AP0634135	29.17	13	AP0945752	29.14	5	AP8106435	29.05	2
AP0634175	29.19	1	AP0945754	29.13	4	AP8106436	29.05	1
AP0640190	29.11	17	AP0945754	29.22	7	AP8106520	29.05	37
AP0650095	29.14	1	AP0945758	29.15	4	AP8106548	29.05	1
AP0650095	29.16	1	AP0977490	31.24	10	AP8106549	29.05	1
AP0650096	29.14	1	AP8101106	28.08	6	AP8106550	29.05	2
AP0650096	29.16	1	AP8101271	28.08	9	AP8106558	29.05	1
AP0650097	29.14	1	AP8101284	29.05	26	AP8107045	28.07	41
AP0650097	29.16	1	AP8101285	29.05	27	AP8107090	28.07	3
AP0650130	29.11	14	AP8101341	28.04	3	AP8107110	28.07	41
AP0827261	29.18	21	AP8101744	28.06	7	AP8107110	28.07	41
AP0827305	29.18	11	AP8101744	28.07	2	AP8107116	28.07	3
AP0827307	29.18	17	AP8101819	28.06	8	AP8107121	28.07	41
AP0827590	29.12	5	AP8101910	28.01	38	AP8107135	28.07	38
AP0827961	29.16	21	AP8101912	28.01	37	AP8107135	28.07	38
AP0840510	29.21	8	AP8101916	28.01	41	AP8107140	28.07	38
AP0840511	29.21	11	AP8101924	28.01	49	AP8108564	28.06	1
AP0840681	31.24	13	AP8101944	28.01	62	AP8108565	28.07	1
AP0840861	29.15	7	AP8101945	28.04	14	AP8108619	28.06	1
AP0840861	29.16	22	AP8102080	29.05	12	AP8108621	28.07	1
AP0840880	29.11	23	AP8102106	28.02	32	AP8110024	28.08	8
AP0840880	29.18	12	AP8102112	28.01	23	AP8110025	28.08	7
AP0840880	29.20	11	AP8102118	28.01	36	AP8110053	29.05	10
AP0840880	29.22	6	AP8102223	28.01	63	AP8110063	28.04	20
AP0841685	29.20	8	AP8102224	28.01	61	AP8110064	28.04	13
AP0845020	29.16	11	AP8102228	28.02	2	AP8110067	28.04	4
AP0847160	31.24	7	AP8102233	28.02	42	AP8112176	28.09	13
AP0853840	29.21	9	AP8102296	28.07	4	AP8112244	28.09	15
AP0860460	29.16	10	AP8102341	28.02	20	AP8112290	28.09	24
AP0866708	29.22	13	AP8102361	28.02	10	AP8112413	28.09	23
AP0876298	31.24	11	AP8102375	28.02	64	AP8112458	28.09	28
AP0876973	31.23	6	AP8102432	29.05	29	AP8112460	28.09	32
AP0897055	29.22	14	AP8102502	28.01	52	AP8112523	28.09	17
AP0897161	29.12	12	AP8102512	28.03	46	AP8112567	28.09	42
AP0897161	29.22	21	AP8102579	28.03	3	AP8112568	28.09	43
AP0897161	31.24	15	AP8102603	28.02	51	AP8112599	28.09	29
AP0897330	31.24	19	AP8102632	28.02	23	AP8112612	28.09	43
AP0899785	29.11	24	AP8102633	28.02	24	AP8112659	28.09	43
AP0899785	29.13	15	AP8102660	28.03	3	AP8112687	28.09	3
AP0899785	29.19	21	AP8102682	28.10	12	AP8112710	28.03	27
AP0899785	29.21	12	AP8102683	28.10	12	AP8112756	28.09	8

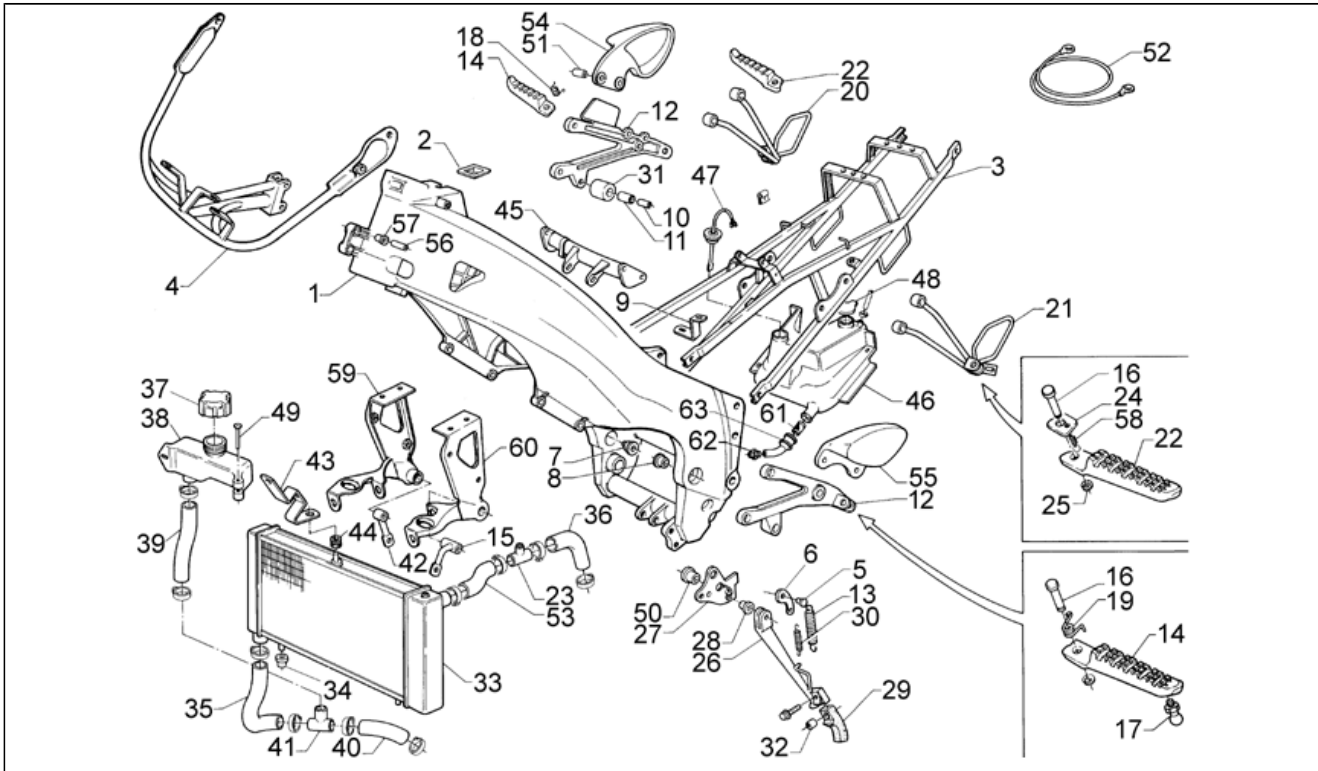
Code	Drawing Nr.	Pos.	Code	Drawing Nr.	Pos.	Code	Drawing Nr.	Pos.
AP8112802	28.03	10	AP8120030	28.01	44	AP8121695	28.01	30
AP8112811	28.09	12	AP8120177	28.02	43	AP8121696	28.01	13
AP8112906	28.09	21	AP8120218	28.09	36	AP8121697	28.07	33
AP8112916	28.09	11	AP8120223	28.02	40	AP8121697	29.05	30
AP8112942	28.09	14	AP8120275	28.01	34	AP8121728	28.01	51
AP8112961	28.09	4	AP8120280	28.04	7	AP8121736	28.09	45
AP8113003	28.03	13	AP8120405	28.09	44	AP8121764	28.01	56
AP8113003	28.07	20	AP8120405	29.05	19	AP8121795	28.09	10
AP8113004	28.03	14	AP8120422	29.05	37	AP8121798	28.09	38
AP8113004	28.07	21	AP8120467	28.03	23	AP8121803	28.02	3
AP8113006	28.06	12	AP8120485	28.04	11	AP8121819	28.02	7
AP8113006	28.07	40	AP8120502	28.01	29	AP8121825	29.05	37
AP8113117	28.07	39	AP8120508	28.01	50	AP8121835	28.07	26
AP8113198	28.07	47	AP8120531	28.02	33	AP8121845	28.04	25
AP8113237	28.07	18	AP8120557	28.02	19	AP8121846	28.04	21
AP8113241	28.03	44	AP8120568	28.01	11	AP8121847	28.04	24
AP8113254	28.07	42	AP8120569	28.01	31	AP8121852	28.07	22
AP8113254	28.07	42	AP8120573	28.01	25	AP8121867	28.02	62
AP8113280	28.03	44	AP8120582	28.09	18	AP8121890	29.05	37
AP8113309	28.06	13	AP8120598	28.02	49	AP8121892	28.03	43
AP8113310	28.06	15	AP8120670	28.01	57	AP8121939	28.01	18
AP8113322	28.07	44	AP8120699	28.02	15	AP8121940	28.01	19
AP8113322	28.07	44	AP8120702	28.02	9	AP8123191	28.08	19
AP8113366	28.07	44	AP8120708	28.02	52	AP8123199	28.08	26
AP8113439	28.03	39	AP8120708	29.05	18	AP8123203	28.08	21
AP8113489	28.06	14	AP8120709	28.02	12	AP8123216	28.08	20
AP8113509	28.03	15	AP8120712	28.02	48	AP8123256	28.08	24
AP8113510	28.07	19	AP8120721	28.09	9	AP8123315	28.08	22
AP8113530	28.06	11	AP8120748	29.05	14	AP8123316	28.08	12
AP8113567	28.06	10	AP8120754	28.09	12	AP8123357	28.08	15
AP8113596	28.07	35	AP8120754	28.09	14	AP8123441	28.08	14
AP8113602	28.07	37	AP8120783	29.05	13	AP8123514	28.08	11
AP8113617	28.03	16	AP8120786	28.01	53	AP8123553	28.03	18
AP8113628	28.07	18	AP8120787	28.01	39	AP8123632	28.08	17
AP8113651	28.07	36	AP8120790	28.01	35	AP8123633	28.08	16
AP8114320	28.03	26	AP8120792	28.07	10	AP8123663	28.04	8
AP8114321	28.03	22	AP8120793	28.04	15	AP8123663	28.04	8
AP8114331	28.03	25	AP8120794	28.04	16	AP8123666	28.08	3
AP8114334	28.03	21	AP8120796	28.02	14	AP8123676	28.04	8
AP8118233	28.03	8	AP8120806	28.07	31	AP8123691	28.08	18
AP8118287	28.03	5	AP8120807	28.07	30	AP8123692	28.08	10
AP8118287	28.03	5	AP8120810	29.05	13	AP8123693	28.08	1
AP8118307	28.03	4	AP8120812	29.05	28	AP8123777	28.08	23
AP8118307	28.03	4	AP8120815	28.02	5	AP8124006	28.09	37
AP8118308	28.03	9	AP8120852	29.05	37	AP8124075	28.09	7
AP8118324	28.03	2	AP8120910	29.05	21	AP8124116	28.09	1
AP8118343	28.03	1	AP8120946	28.01	40	AP8124117	28.09	16
AP8118409	28.03	24	AP8120965	28.02	34	AP8124119	28.09	6
AP8118409	28.03	24	AP8121058	29.05	20	AP8124141	28.09	33
AP8118432	28.03	7	AP8121091	29.05	24	AP8124145	28.03	17
AP8118439	28.03	6	AP8121114	28.01	28	AP8124152	28.03	20
AP8118460	28.03	41	AP8121114	28.02	26	AP8124173	28.03	28
AP8118493	28.03	4	AP8121118	28.07	27	AP8124174	28.09	4
AP8118497	28.03	5	AP8121121	28.04	5	AP8124194	28.03	50
AP8119375	29.05	22	AP8121133	28.01	58	AP8124195	28.03	42
AP8119375	29.05	22	AP8121134	28.01	17	AP8124197	28.03	12
AP8119383	29.05	23	AP8121135	28.01	16	AP8124198	28.03	32
AP8119383	29.05	23	AP8121147	28.07	24	AP8124211	28.09	1
AP8119387	29.05	37	AP8121147	29.05	5	AP8124221	29.22	11
AP8119402	29.05	37	AP8121150	28.01	8	AP8124224	28.03	30
AP8119417	29.05	22	AP8121156	28.01	7	AP8124225	28.03	29
AP8119418	29.05	23	AP8121157	28.06	2	AP8124226	28.03	49
AP8119418	29.05	23	AP8121163	29.05	7	AP8124227	28.03	34
AP8119434	29.05	22	AP8121284	28.07	25	AP8124228	28.03	33
AP8119467	29.05	22	AP8121284	29.05	6	AP8124229	28.03	37
AP8119468	29.05	22	AP8121303	28.02	51	AP8124235	28.09	2
AP8119469	29.05	36	AP8121672	28.01	10	AP8124252	28.03	47

Code	Drawing Nr.	Pos.	Code	Drawing Nr.	Pos.	Code	Drawing Nr.	Pos.
AP8124253	28.03	31	AP8131626	29.05	15	AP8138469	28.02	30
AP8124254	28.03	48	AP8131733	28.02	55	AP8138482	28.02	29
AP8124255	28.03	19	AP8131734	28.02	56	AP8138484	28.02	28
AP8124399	28.09	19	AP8131739	28.09	25	AP8138484	28.02	28
AP8124467	28.03	17	AP8131916	28.02	31	AP8138485	28.02	54
AP8124479	28.07	32	AP8132634	28.04	9	AP8138485	28.02	54
AP8124486	28.03	30	AP8132635	28.07	23	AP8138547	28.02	27
AP8124487	28.09	22	AP8132720	28.01	24	AP8138655	28.02	13
AP8124531	28.03	24	AP8132812	28.01	22	AP8138656	28.02	29
AP8125388	28.06	3	AP8132869	28.09	46	AP8138657	28.02	28
AP8125418	28.06	4	AP8134243	28.02	60	AP8138658	28.02	27
AP8125469	28.06	6	AP8134250	28.01	54	AP8138659	28.02	21
AP8125627	28.04	2	AP8134257	28.02	46	AP8138681	28.02	53
AP8125628	28.07	11	AP8134260	28.01	9	AP8138682	28.02	54
AP8125631	28.07	5	AP8134261	28.01	55	AP8138683	28.02	36
AP8125635	28.07	7	AP8134262	29.05	31	AP8138686	29.05	17
AP8125636	28.07	28	AP8134263	28.02	35	AP8138707	28.02	13
AP8125637	28.07	9	AP8134263	28.02	35	AP8138760	28.02	21
AP8125638	28.07	16	AP8134266	28.01	6	AP8139049	28.02	53
AP8125639	28.07	15	AP8134272	28.02	35	AP8139050	28.02	54
AP8125644	28.06	5	AP8134335	28.09	20	AP8139050	28.02	54
AP8125645	28.07	13	AP8134348	28.09	5	AP8139051	28.02	36
AP8125646	28.07	14	AP8134403	28.02	57	AP8139067	28.02	54
AP8125646	28.07	46	AP8134429	28.07	8	AP8139071	28.02	13
AP8125647	28.07	34	AP8134476	28.01	12	AP8139072	28.02	27
AP8125660	28.06	5	AP8134512	28.01	27	AP8139073	28.02	28
AP8125661	28.06	6	AP8135289	29.05	25	AP8139073	28.02	28
AP8125662	28.06	2	AP8135307	28.02	37	AP8139075	28.02	29
AP8125663	28.07	14	AP8135313	28.01	14	AP8139076	28.02	21
AP8125664	28.07	46	AP8135362	28.04	10	AP8139086	28.02	13
AP8125666	28.07	13	AP8135396	28.04	12	AP8139106	28.02	28
AP8125667	28.07	16	AP8135403	28.01	43	AP8139406	28.02	27
AP8125668	28.07	9	AP8135444	28.01	20	AP8139407	28.02	27
AP8125763	28.07	6	AP8135445	28.01	21	AP8139436	28.02	13
AP8126356	28.02	6	AP8135448	28.09	35	AP8139437	28.02	29
AP8126385	28.02	47	AP8135464	28.01	27	AP8139438	28.02	27
AP8126501	28.02	45	AP8135464	28.01	27	AP8139439	28.02	28
AP8126510	28.02	41	AP8135492	29.05	35	AP8139440	28.02	21
AP8126538	28.02	41	AP8135718	28.01	45	AP8139441	28.02	53
AP8126613	28.02	41	AP8135719	28.01	59	AP8139442	28.02	36
AP8126666	28.02	41	AP8135720	28.01	60	AP8139443	28.02	54
AP8126670	28.02	41	AP8135726	29.05	8	AP8139451	28.02	13
AP8129118	28.02	16	AP8135785	28.01	4	AP8139452	28.02	29
AP8129118	28.02	16	AP8135786	28.01	42	AP8139454	28.02	28
AP8129154	28.02	44	AP8135787	28.01	15	AP8139455	28.02	21
AP8129154	28.02	44	AP8135858	28.01	26	AP8139467	28.02	28
AP8129190	28.02	44	AP8135942	28.01	3	AP8139468	28.02	28
AP8129191	28.02	17	AP8135961	28.04	1	AP8139607	28.02	27
AP8129191	28.02	17	AP8135973	28.02	58	AP8146137	28.01	26
AP8129192	28.02	17	AP8135973	28.02	58	AP8146142	28.02	58
AP8129192	28.02	17	AP8135998	28.01	1	AP8147019	28.10	7
AP8129209	28.02	16	AP8137626	28.10	8	AP8147019	28.10	7
AP8129214	28.02	44	AP8137626	28.10	8	AP8147020	28.10	8
AP8129218	28.02	17	AP8137627	28.10	9	AP8147063	28.10	1
AP8129218	28.02	17	AP8137627	28.10	9	AP8147064	28.10	2
AP8129219	28.02	17	AP8137646	28.09	26	AP8147065	28.10	3
AP8129219	28.02	17	AP8137647	28.09	27	AP8147066	28.10	4
AP8129234	28.02	17	AP8137735	28.10	7	AP8147067	28.10	5
AP8129235	28.02	17	AP8137735	28.10	7	AP8147071	28.10	1
AP8129236	28.02	16	AP8137877	28.10	6	AP8147072	28.10	2
AP8131121	29.05	16	AP8138083	28.02	53	AP8147073	28.10	3
AP8131176	28.03	35	AP8138085	28.02	36	AP8147074	28.10	4
AP8131256	28.09	30	AP8138302	28.02	22	AP8147114	28.10	9
AP8131470	29.05	17	AP8138303	28.02	50	AP8147124	28.10	6
AP8131605	28.02	1	AP8138304	28.02	38	AP8147310	28.10	6
AP8131606	28.01	46	AP8138460	28.02	28	AP8147392	28.10	1
AP8131623	28.04	17	AP8138462	28.02	54	AP8147393	28.10	1

Code	Drawing Nr.	Pos.
AP8147394	28.10	2
AP8147395	28.10	2
AP8147396	28.10	3
AP8147397	28.10	3
AP8147398	28.10	4
AP8147399	28.10	4
AP8147492	28.10	6
AP8147493	28.10	6
AP8147495	28.10	6
AP8147496	28.10	8
AP8147497	28.10	7
AP8147566	28.10	10
AP8147567	28.10	6
AP8147638	28.10	11
AP8147847	28.10	1
AP8147848	28.10	1
AP8147849	28.10	2
AP8147850	28.10	2
AP8147851	28.10	3
AP8147852	28.10	3
AP8147853	28.10	4
AP8147854	28.10	4
AP8150049	28.03	52
AP8150157	28.03	51
AP8150158	28.02	71
AP8150178	28.02	67
AP8150208	28.06	16
AP8150248	28.02	69
AP8150277	29.05	33
AP8150299	28.04	6
AP8150299	28.08	4
AP8150337	29.05	37
AP8150346	28.04	18
AP8150352	28.08	2
AP8150420	28.02	70
AP8150450	28.02	72
AP8152060	28.07	45
AP8152063	28.04	19
AP8152153	28.02	11
AP8152246	28.02	68
AP8152261	28.04	22
AP8152262	28.04	23
AP8152267	28.03	36
AP8152268	28.02	66
AP8152269	28.02	63
AP8152286	28.06	17
AP8152298	28.02	65
AP8152299	29.05	37
AP8201192	28.01	47
AP8201215	28.09	40
AP8201287	28.02	61
AP8201564	28.03	45
AP8203550	28.08	5
AP8203570	28.08	13
AP8210007	28.07	17
AP8210007	29.05	9
AP8212679	28.09	31
AP8212702	28.09	41
AP8213078	28.03	40
AP8213086	28.07	29
AP8213117	28.07	42
AP8218077	28.03	11
AP8220154	28.01	48
AP8220185	28.09	47
AP8220189	29.05	4
AP8220201	28.09	34
AP8220331	28.02	59

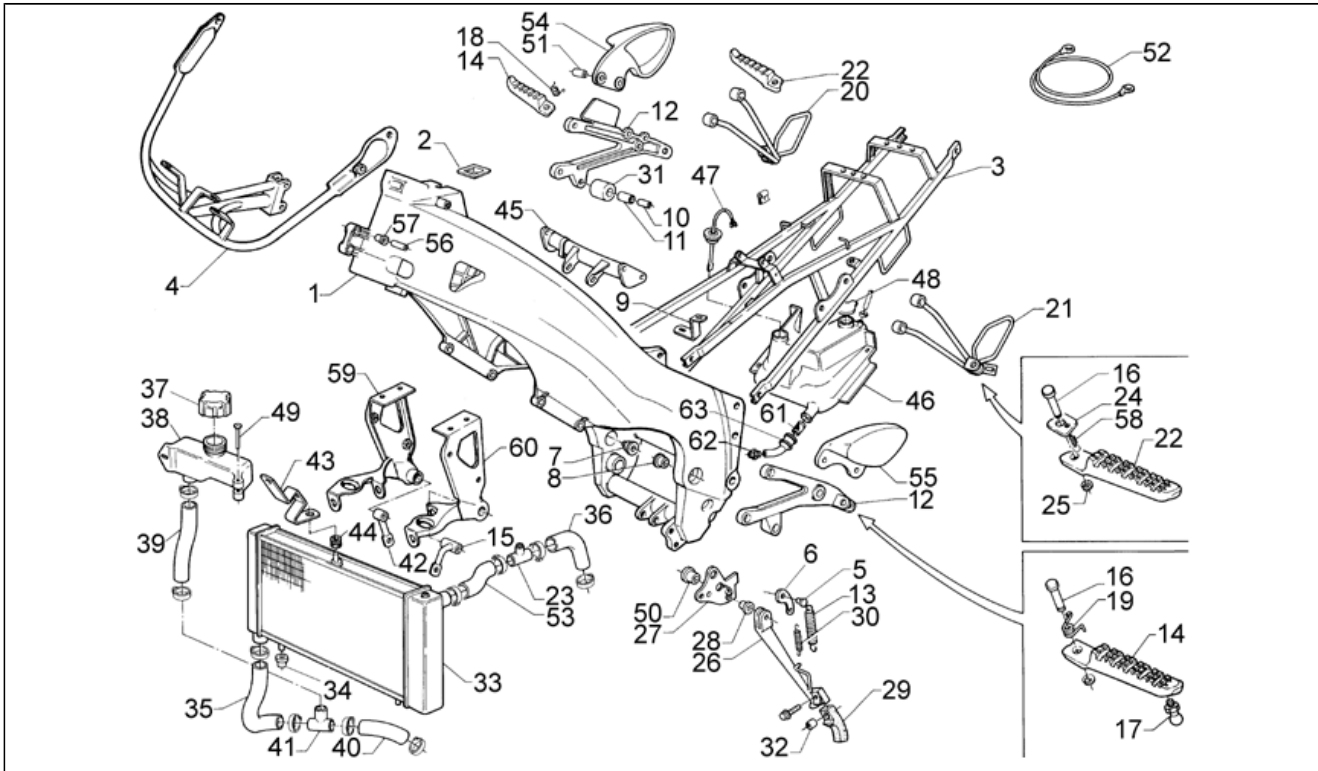
Code	Drawing Nr.	Pos.
AP8220347	28.02	39
AP8220421	28.01	48
AP8221017	28.01	32
AP8221035	28.09	39
AP8221074	28.07	43
AP8221106	28.02	18
AP8221171	28.01	5
AP8221176	28.02	4
AP8232524	29.05	34

Assembly	FRAME
Code	28.01
Description	Frame
Revision	1



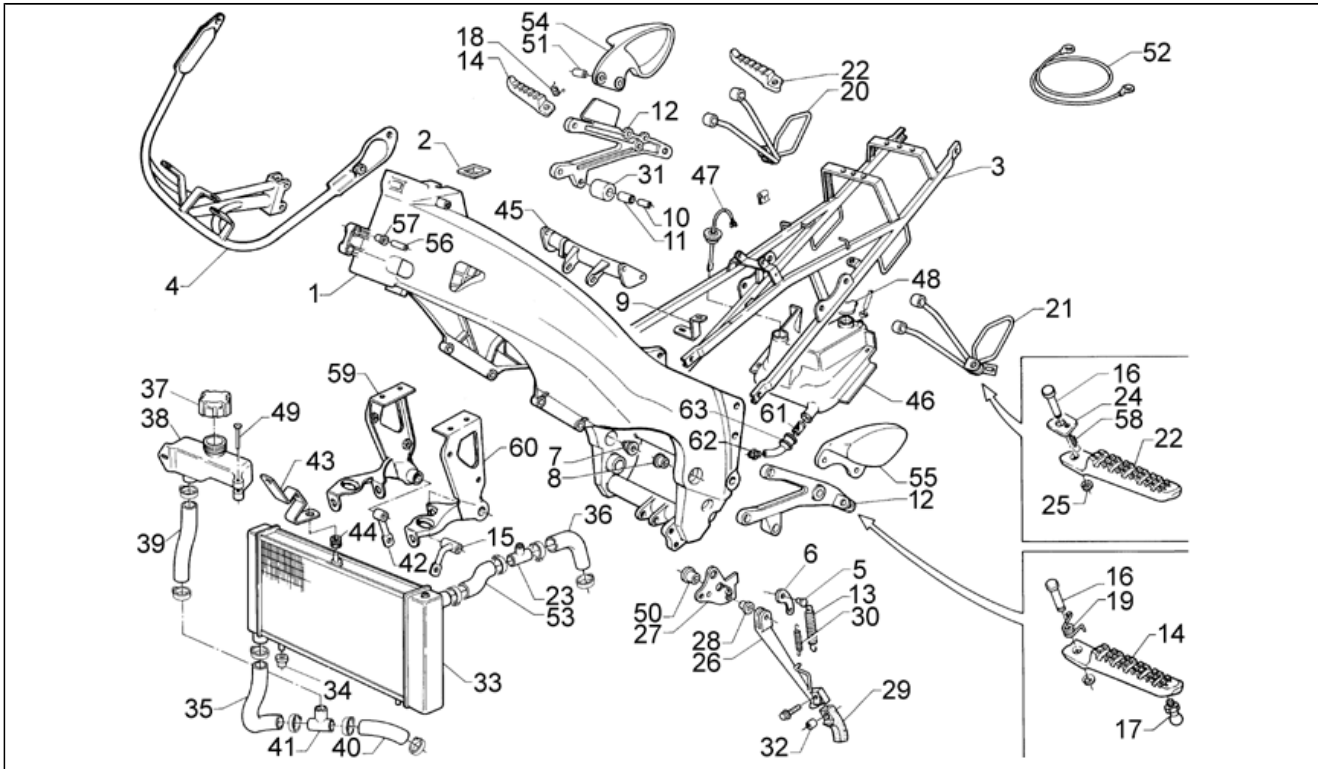
Pos.	Code	Description	Q.ty	Variants
1	AP8135998	Frame	1	
2	AP8102798	Clip M6	1	
3	AP8135942	Saddle support, sand. cat.	1	
4	AP8135785	San.cat.inst.h.frame	1	
5	AP8221171	Spacer *	1	
6	AP8134266	Lateral stand plate	1	
7	AP8121156	Bush	1	
8	AP8121150	Bush 18mm	1	
9	AP8134260	Filter housing plate	1	
10	AP8121672	Spacer *	1	
11	AP8120568	Spacer *	1	
12	AP8134476	Footrests bracket	1	
13	AP8121696	Coil pull spring *	1	
14	AP8135313	Front footrest, pair	1	
15	AP8135787	LH engine support	1	
16	AP8121135	Footrest pin	2	
17	AP8121134	Pin	2	
18	AP8121939	RH front footrest spring	1	
19	AP8121940	LH front footrest spring	1	
20	AP8135444	RH footrest support	1	
21	AP8135445	LH footrest support	1	
22	AP8132812	Rear footrests, pair	1	
23	AP8102112	Breather pipe union	1	
24	AP8132720	Footrest plate	2	
25	AP8120573	Stop ring	4	
26	AP8135858	Lateral stand	1	Country:Switzerland[CH], Singapore[SGP]

Assembly	FRAME
Code	28.01
Description	Frame
Revision	1



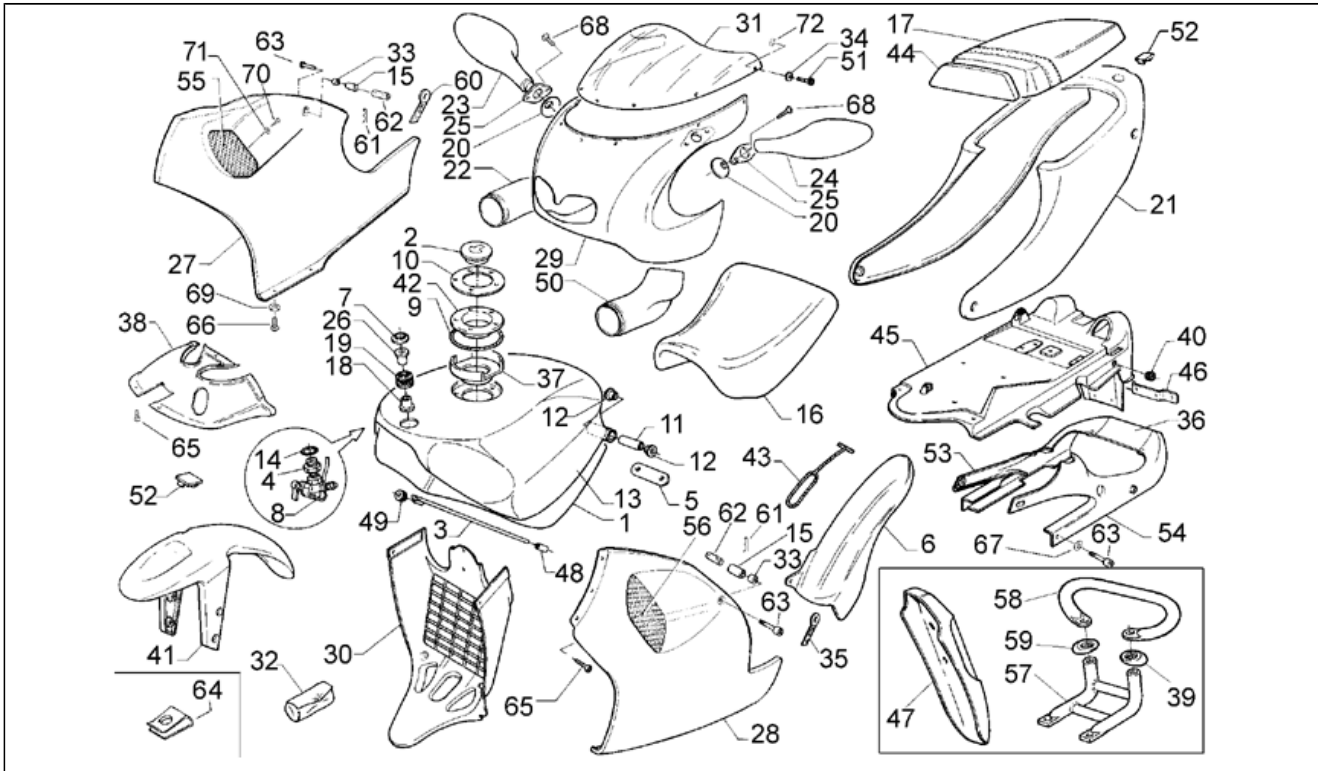
Pos.	Code	Description	Q.ty	Variants
26	AP8146137	Lateral stand, phor.	1	Country: Austria[A], Germany[D], Denmark[DK], Spain[E], France[F], Greece[GR], Italy[I], Japan[J], Malaysia[MAL], Portugal[P], Finland[SF], Great Britain[UK]
27	AP8134512	Stand plate	1	year: 1998[W] Country: Austria[A], Germany[D], Denmark[DK], Spain[E], France[F], Italy[I], Japan[J], Malaysia[MAL], Finland[SF], Great Britain[UK]
27	AP8135464	Stand plate	1	year: 1996[T], 1997[V]
27	AP8135464	Stand plate	1	year: 1998[W] Country: Switzerland[CH], Singapore[SGP]
28	AP8121114	T bush *	1	
29	AP8120502	Rubber stand	1	
30	AP8121695	Coil pull spring *	1	
31	AP8120569	Chain tensioner roller	1	
32	AP8221017	Spacer *	1	
33	AP8102704	Water cooler	1	
34	AP8120275	Silent-block *	2	
35	AP8120790	Tee union	1	
36	AP8102118	Head tube union	1	
37	AP8101912	Rad cap no vent	1	
38	AP8101910	Expansion tank	1	
39	AP8120787	Expansion tank hose	1	
40	AP8120946	Pump connection hose	1	
41	AP8101916	Tee union D20	1	
42	AP8135786	RH engine support	1	
43	AP8135403	Water cooler upper support	1	
44	AP8120030	Rubber spacer *	1	
45	AP8135718	Frame front fix. plate	1	
46	AP8131606	Oil tank	1	

Assembly	FRAME
Code	28.01
Description	Frame
Revision	1



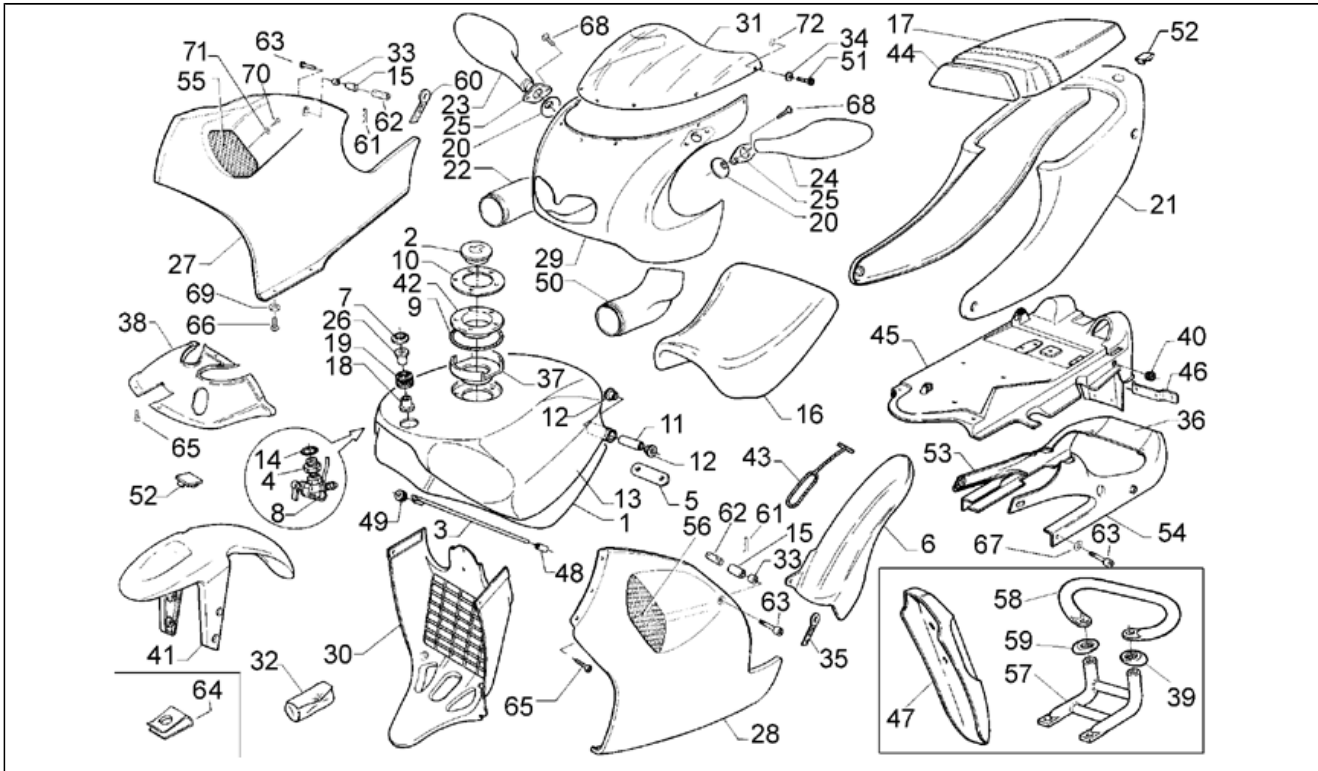
Pos.	Code	Description	Q.ty	Variants
47	AP8201192	Oil reserve indicator	1	
48	AP8220154	Oil filler cap	1	year:1996[T], 1997[V]
48	AP8220421	Oil filler cap	1	year:1998[W]
49	AP8101924	Drilled crow.head rivet	1	
50	AP8120508	T bush *	1	
51	AP8121728	T bush *	2	
52	AP8102502	Helmet lock cable	1	
53	AP8120786	Water cooler hose union	1	
54	AP8134250	RH front footrest guard, grey	1	
55	AP8134261	LH front footrest guard, grey	1	
56	AP8121764	Spacer *	1	
57	AP8120670	Rubber spacer *	1	
58	AP8121133	Coil compress. spring *	2	
59	AP8135719	Front RH eng. plate	1	
60	AP8135720	Front LH eng. plate	1	
61	AP8102224	Mixer oil filter	1	
62	AP8101944	2-way union	1	
63	AP8102223	Rubber spacer *	1	

Assembly	FRAME
Code	28.02
Description	Body
Revision	1



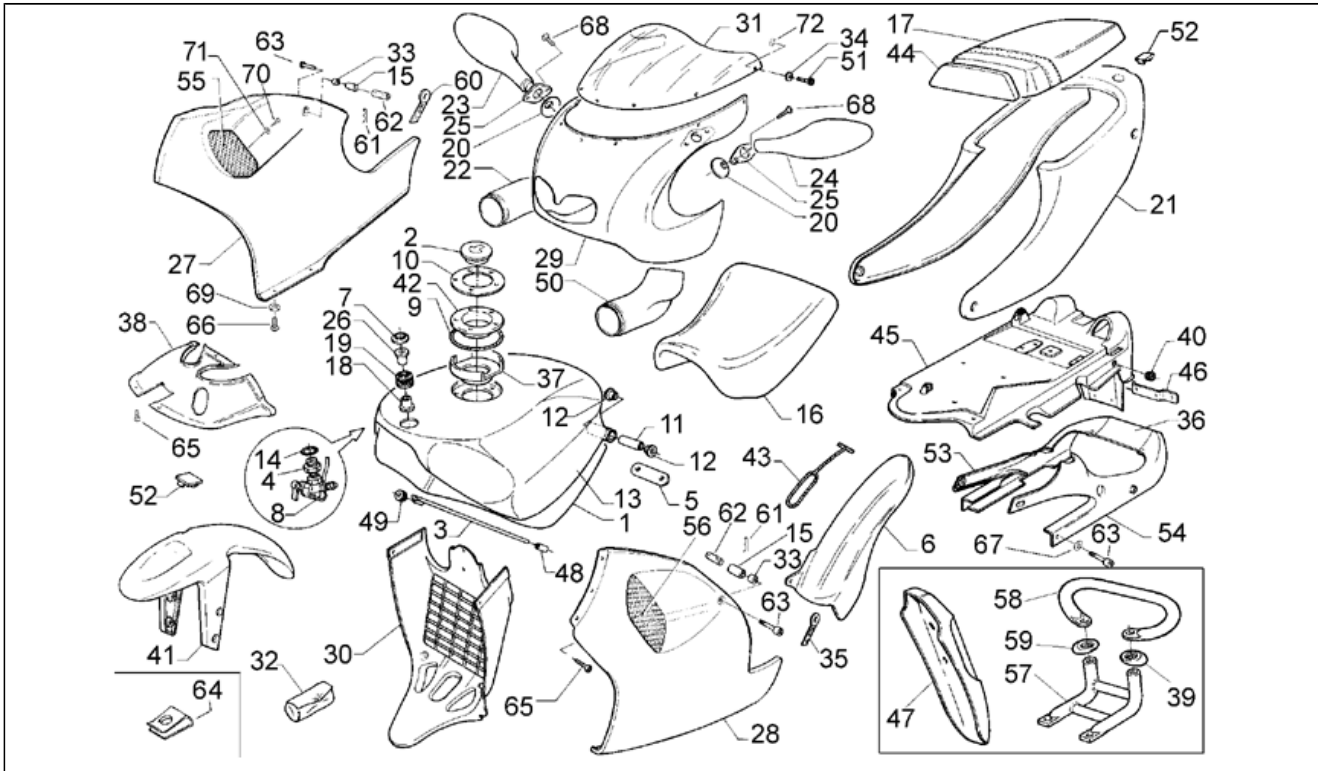
Pos.	Code	Description	Q.ty	Variants
1	AP8131605	Fuel tank	1	
2	AP8102228	Crom.tank plug	1	
3	AP8121803	Fuel tank fastener rod	1	
4	AP8221176	Fuel tap union	1	
5	AP8120815	Fuel tank spacer	1	
6	AP8126356	Low mudguard, black	1	
7	AP8121819	Washer 6,5x12,5*	1	
8	AP8102802	Fuel cock	1	
9	AP8120702	Filler cap gasket	1	
10	AP8102361	Ring nut fuel filler cap	1	
11	AP8152153	Rear spacer	1	
12	AP8120709	Rubber spacer *	2	
13	AP8138655	Fuel tank cover, grey	1	year: 1996[T] Color:Mirage Grey 1996[Gr.m]
13	AP8138707	Fuel tank cover, bl./gr.	1	year: 1996[T] Color:Black 1996-1998[black]
13	AP8139071	Fuel tank cover, grey	1	year: 1997[V] Color:Silver Grey 1997[Gr.s]
13	AP8139086	Fuel tank cover, black	1	year: 1997[V] Color:Black 1996-1998[black]
13	AP8139436	Fuel tank cover, blue	1	year: 1998[W] Color:Grey/Red/Blu Valentino Rossi 1998[rossi]
13	AP8139451	Fuel tank cover, black	1	year: 1998[W] Color:Black 1996-1998[black]
14	AP8120796	O-ring 3050	1	
15	AP8120699	Lat.frng fix.pipe	2	
16	AP8129118	Driver saddle, black	1	year: 1996[T] Color:Mirage Grey 1996[Gr.m]
16	AP8129118	Driver saddle, black	1	year: 1996[T], 1997[V], 1998[W] Color:Black 1996-1998[black]

Assembly	FRAME
Code	28.02
Description	Body
Revision	1



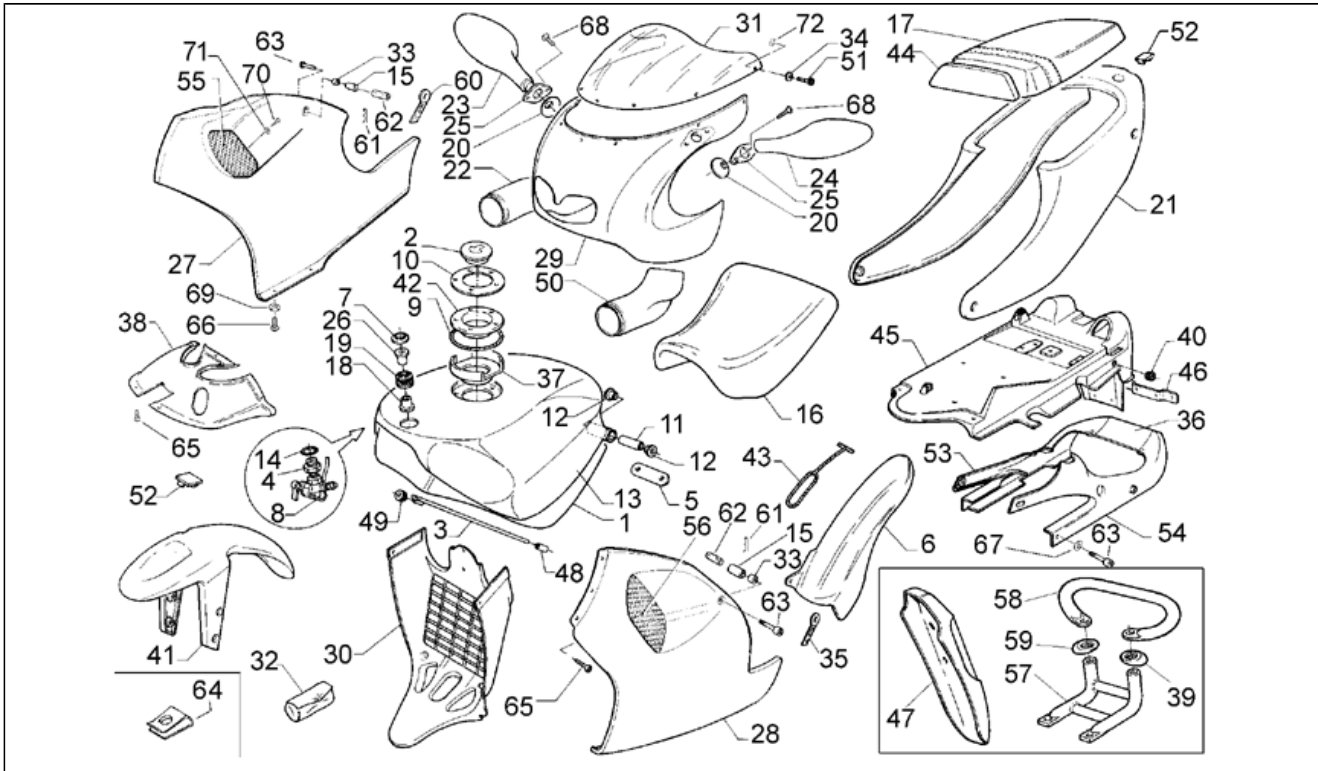
Pos.	Code	Description	Q.ty	Variants
16	AP8129209	Driver saddle, red	1	year: 1997[V] Color: Silver Grey 1997[Gr.s]
16	AP8129236	Driver saddle, red	1	year: 1998[W] Color: Grey/Red/Blu Valentino Rossi 1998[rossi]
17	AP8129191	Rear saddle, grey	1	year: 1997[V] Color: Silver Grey 1997[Gr.s] Country: Denmark[DK], Spain[E], Greece[GR], Italy[I], Malaysia[MAL], Portugal[P]
17	AP8129191	Rear saddle, grey	1	year: 1996[T] Color: Mirage Grey 1996[Gr.m] Country: Denmark[DK], Spain[E], Greece[GR], Italy[I], Malaysia[MAL], Portugal[P]
17	AP8129192	Rear saddle, grey	1	year: 1997[V] Color: Silver Grey 1997[Gr.s] Country: Germany[D]
17	AP8129192	Rear saddle, grey	1	year: 1996[T] Color: Mirage Grey 1996[Gr.m] Country: Germany[D]
17	AP8129218	Rear saddle, black (no belt)	1	year: 1996[T], 1997[V] Color: Black 1996-1998[black] Country: Denmark[DK], Spain[E], Greece[GR], Italy[I], Malaysia[MAL], Portugal[P]
17	AP8129218	Rear saddle, black (no belt)	1	year: 1998[W] Color: Black 1996-1998[black] Country: Austria[A], Denmark[DK], Spain[E], France[F], Italy[I], Japan[J], Malaysia[MAL], Finland[SF], Singapore[SGP], Great Britain[UK]
17	AP8129219	Long rear saddle, black	1	year: 1996[T], 1997[V] Color: Black 1996-1998[black] Country: Germany[D]
17	AP8129219	Long rear saddle, black	1	year: 1998[W] Color: Black 1996-1998[black] Country: Switzerland[CH], Germany[D]
17	AP8129234	Rear saddle, grey (no belt)	1	year: 1998[W]

Assembly	FRAME
Code	28.02
Description	Body
Revision	1



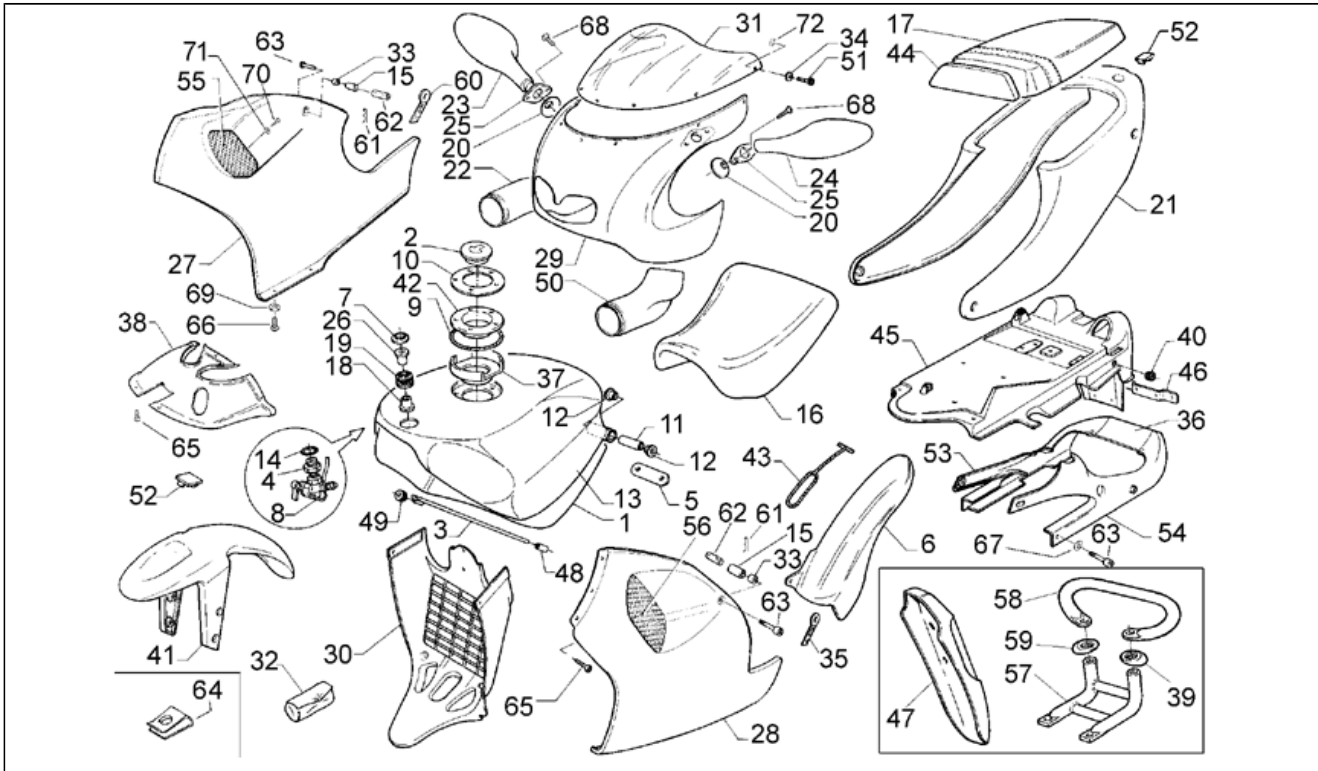
Pos.	Code	Description	Q.ty	Variants
				Color: Grey/Red/Blu Valentino Rossi 1998[rossi] Country: Austria[A], Denmark[DK], Spain[E], France[F], Italy[I], Japan[J], Malaysia[MAL], Finland[SF], Singapore[SGP], Great Britain[UK]
17	AP8129235	Long rear saddle, grey	1	year: 1998[W] Color: Grey/Red/Blu Valentino Rossi 1998[rossi] Country: Switzerland[CH], Germany[D]
18	AP8221106	Rear brake lever bush	1	
19	AP8120557	Tank rubber	1	
20	AP8102341	Mirror joint cup	2	
21	AP8138659	Rear fairing, m.grey	1	year: 1996[T] Color: Mirage Grey 1996[Gr.m]
21	AP8138760	Rear fairing, black	1	year: 1996[T], 1997[V] Color: Black 1996-1998[black]
21	AP8139076	Rear fairing, s. grey	1	year: 1997[V] Color: Silver Grey 1997[Gr.s]
21	AP8139440	Rear fairing, grey/blue	1	year: 1998[W] Color: Grey/Red/Blu Valentino Rossi 1998[rossi]
21	AP8139455	Rear fairing, black	1	year: 1998[W] Color: Black 1996-1998[black]
22	AP8138302	RH air duct	1	
23	AP8102632	RH rearview mirror	1	year: 1998[W]
23	AP8102705	RH rearview mirror	1	year: 1996[T], 1997[V]
24	AP8102633	LH rearview mirror	1	year: 1998[W]
24	AP8102706	LH rearview mirror	1	year: 1996[T], 1997[V]
25	AP8102801	Mirror insertion kit	1	
26	AP8121114	T bush *	1	
27	AP8138547	RH side panel, black	1	year: 1996[T], 1997[V] Color: Black 1996-1998[black]
27	AP8138658	RH side panel, m.grey	1	year: 1996[T] Color: Mirage Grey 1996[Gr.m]

Assembly	FRAME
Code	28.02
Description	Body
Revision	1



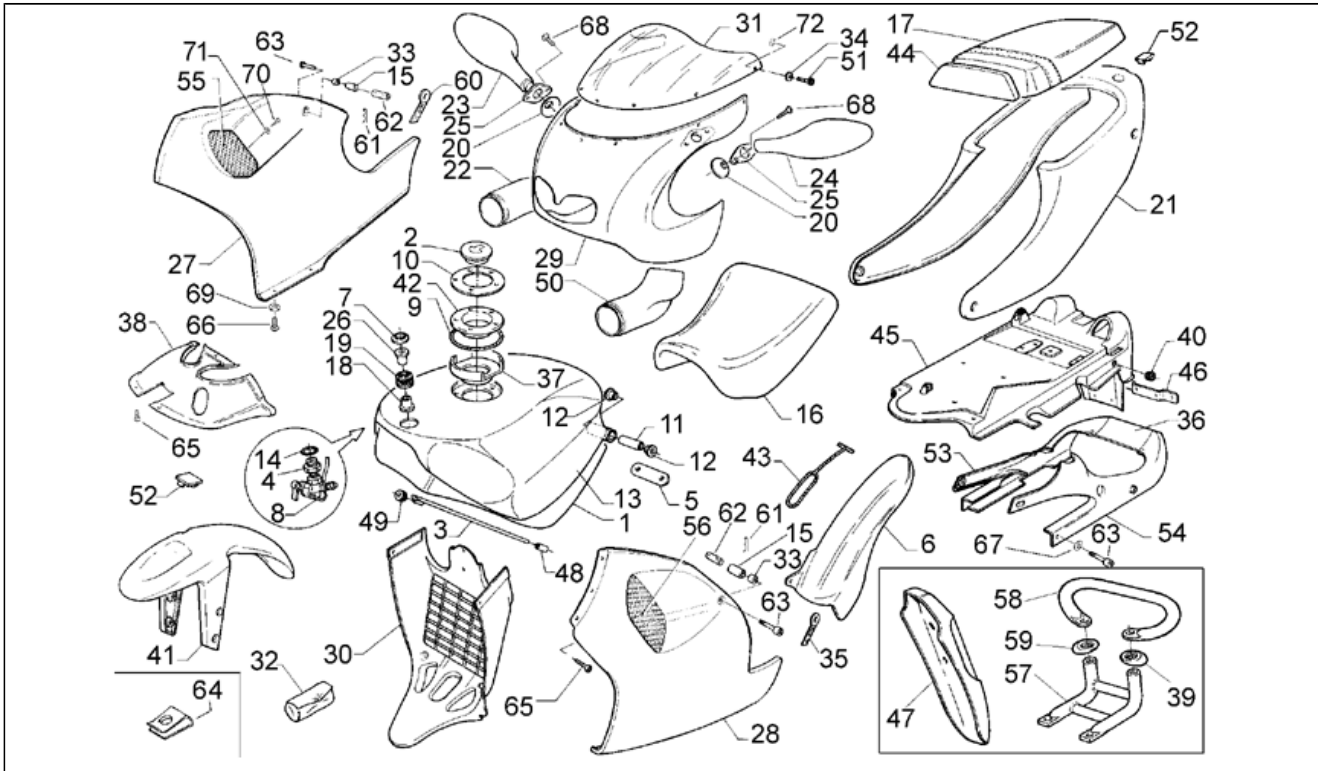
Pos.	Code	Description	Q.ty	Variants
27	AP8139072	RH side panel, s.grey	1	year: 1997[V] Color: Silver Grey 1997[Gr.s]
27	AP8139406	RH hol.pun.panel, black	1	year: 1998[W] Color: Black 1996-1998[black] Country: Switzerland[CH], Singapore[SGP]
27	AP8139407	RH hol.pun.panel, red	1	year: 1998[W] Color: Grey/Red/Blu Valentino Rossi 1998[rossi] Country: Switzerland[CH], Singapore[SGP]
27	AP8139438	RH side panel, red	1	year: 1998[W] Color: Grey/Red/Blu Valentino Rossi 1998[rossi] Country: Austria[A], Germany[D], Denmark[DK], Spain[E], France[F], Italy[I], Japan[J], Malaysia[MAL], Poland[PL], Finland[SF], Great Britain[UK]
27	AP8139607	RH side panel, black	1	year: 1998[W] Color: Black 1996-1998[black] Country: Austria[A], Germany[D], Denmark[DK], Spain[E], France[F], Italy[I], Japan[J], Malaysia[MAL], Poland[PL], Finland[SF], Great Britain[UK]
28	AP8138460	LH hol.pun.panel, black	1	year: 1996[T] Color: Black 1996-1998[black] Country: Italy[I] Technical Specifications: Sport Production version[s.p.]
28	AP8138484	LH side panel, black	1	year: 1996[T], 1997[V] Color: Black 1996-1998[black] Country: Germany[D], Denmark[DK], Spain[E], Greece[GR], Malaysia[MAL], Portugal[P]
28	AP8138484	LH side panel, black	1	year: 1996[T], 1997[V] Color: Black 1996-1998[black] Country: Italy[I] Technical Specifications: 11Kw power[11Kw], Full Power Version[f.p.]
28	AP8138657	LH side panel, m.grey	1	year: 1996[T] Color: Mirage Grey 1996[Gr.m] Country: Germany[D], Denmark[DK], Spain[E], Greece[GR], Italy[I], Malaysia[MAL], Portugal[P]

Assembly	FRAME
Code	28.02
Description	Body
Revision	1



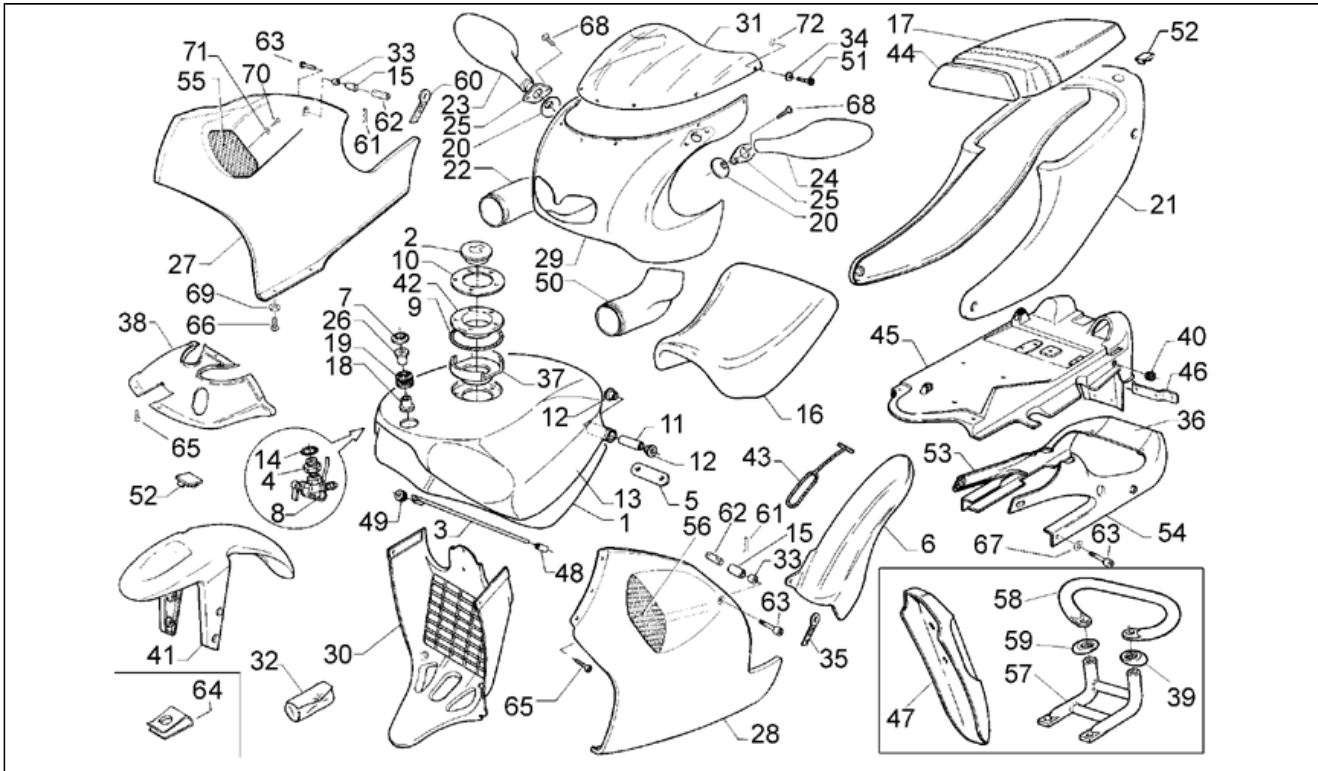
Pos.	Code	Description	Q.ty	Variants
28	AP8139073	LH side panel, s.grey	1	year: 1997[V] Color: Silver Grey 1997[Gr.s] Country: Germany[D], Denmark[DK], Spain[E], Greece[GR], Malaysia[MAL], Portugal[P]
28	AP8139073	LH side panel, s.grey	1	year: 1997[V] Color: Silver Grey 1997[Gr.s] Country: Italy[I] Technical Specifications: 11Kw power[11Kw], Full Power Version[f.p.]
28	AP8139106	LH hol.pun.panel, grey	1	year: 1997[V] Color: Silver Grey 1997[Gr.s] Country: Italy[I] Technical Specifications: Sport Production version[s.p.]
28	AP8139439	LH side panel, red	1	year: 1998[W] Color: Grey/Red/Blu Valentino Rossi 1998[rossi] Country: Austria[A], Germany[D], Denmark[DK], Spain[E], France[F], Italy[I], Japan[J], Malaysia[MAL], Finland[SF], Great Britain[UK]
28	AP8139454	LH side panel, black	1	year: 1998[W] Color: Black 1996-1998[black] Country: Austria[A], Germany[D], Denmark[DK], Spain[E], France[F], Italy[I], Japan[J], Malaysia[MAL], Finland[SF], Great Britain[UK]
28	AP8139467	LH hol.pun.panel, red	1	year: 1998[W] Color: Grey/Red/Blu Valentino Rossi 1998[rossi] Country: Switzerland[CH], Singapore[SGP]
28	AP8139468	LH hol.pun.panel, black	1	year: 1998[W] Color: Black 1996-1998[black] Country: Switzerland[CH], Singapore[SGP]
29	AP8138482	Front fairing, black	1	year: 1996[T], 1997[V] Color: Black 1996-1998[black]
29	AP8138656	Front fairing, m.grey	1	year: 1996[T] Color: Mirage Grey 1996[Gr.m]
29	AP8139075	Front fairing, s.grey	1	year: 1997[V]

Assembly	FRAME
Code	28.02
Description	Body
Revision	1



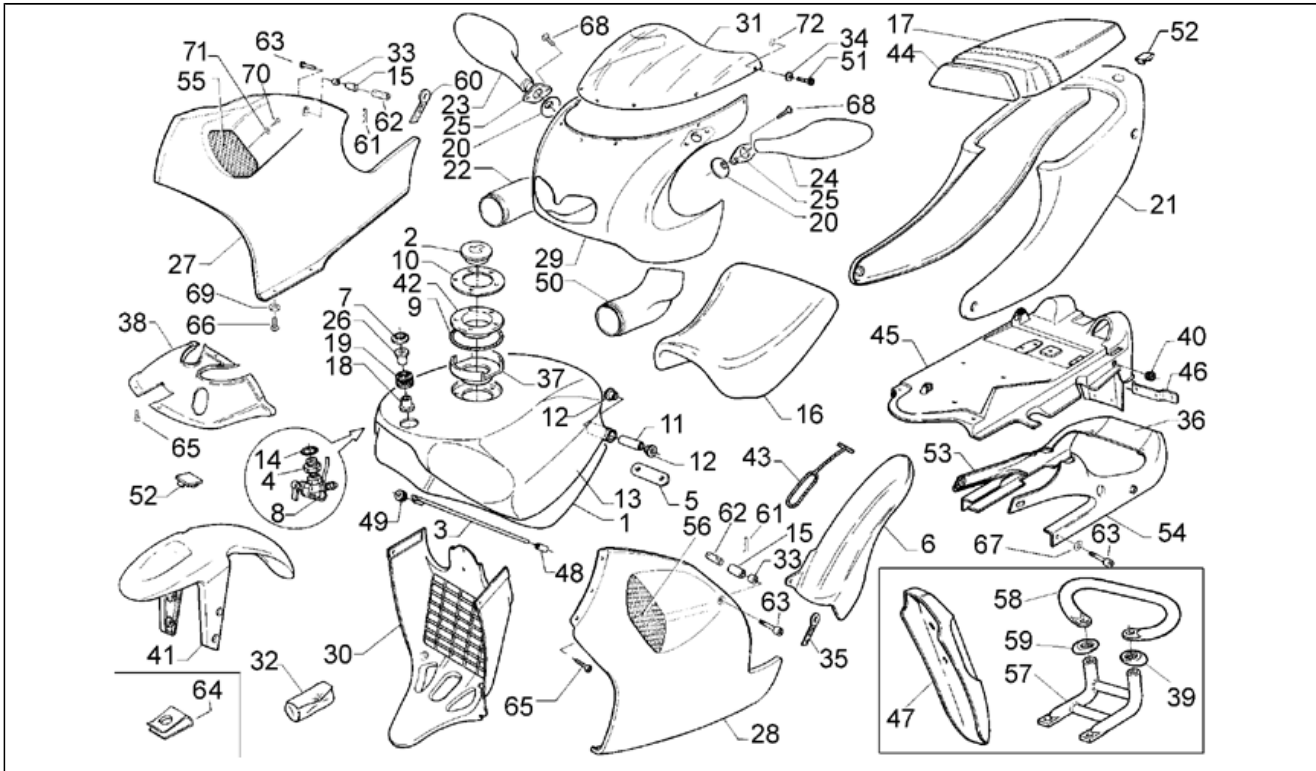
Pos.	Code	Description	Q.ty	Variants
				Color:Silver Grey 1997[Gr.s]
29	AP8139437	Front fairing, blue/grey	1	year: 1998[W] Color:Grey/Red/Blu Valentino Rossi 1998[rossi]
29	AP8139452	Front fairing, black	1	year: 1998[W] Color:Black 1996-1998[black]
30	AP8138469	Water cooler shield, black	1	
31	AP8131916	Windshield	1	
32	AP8102106	Toolkit	1	
33	AP8120531	Rubber w/ insert *	2	
34	AP8120965	O-ring 2018	1	
35	AP8134263	Lower plate fairing	1	year: 1996[T], 1997[V] Country:Germany[D], Denmark[DK], Spain[E], Greece[GR], Italy[I], Malaysia[MAL], Portugal[P]
35	AP8134263	Lower plate fairing	1	year: 1998[W] Country:Austria[A], Germany[D], Denmark[DK], Spain[E], France[F], Italy[I], Japan[J], Malaysia[MAL], Finland[SF], Great Britain[UK]
35	AP8134272	Lower plate fairing	1	year: 1998[W] Country:Switzerland[CH], Singapore[SGP]
36	AP8138085	Centr.saddle sup cov., black	1	year: 1996[T], 1997[V] Color:Black 1996-1998[black]
36	AP8138683	Centr.saddle sup cov., grey	1	year: 1996[T] Color:Mirage Grey 1996[Gr.m]
36	AP8139051	Centr.saddle sup cov.,s grey	1	year: 1997[V] Color:Silver Grey 1997[Gr.s]
36	AP8139442	Centr.saddle sup cov., grey	1	year:1998[W]
37	AP8135307	Fuel tank union	1	Country:Austria[A], Switzerland[CH]
38	AP8138304	Low.front fairing lockup	1	
39	AP8220347	RH mirror rubber	1	
40	AP8120223	Rubber spacer *	4	
41	AP8126510	Front mudguard, black	1	year: 1996[T], 1997[V]

Assembly	FRAME
Code	28.02
Description	Body
Revision	1



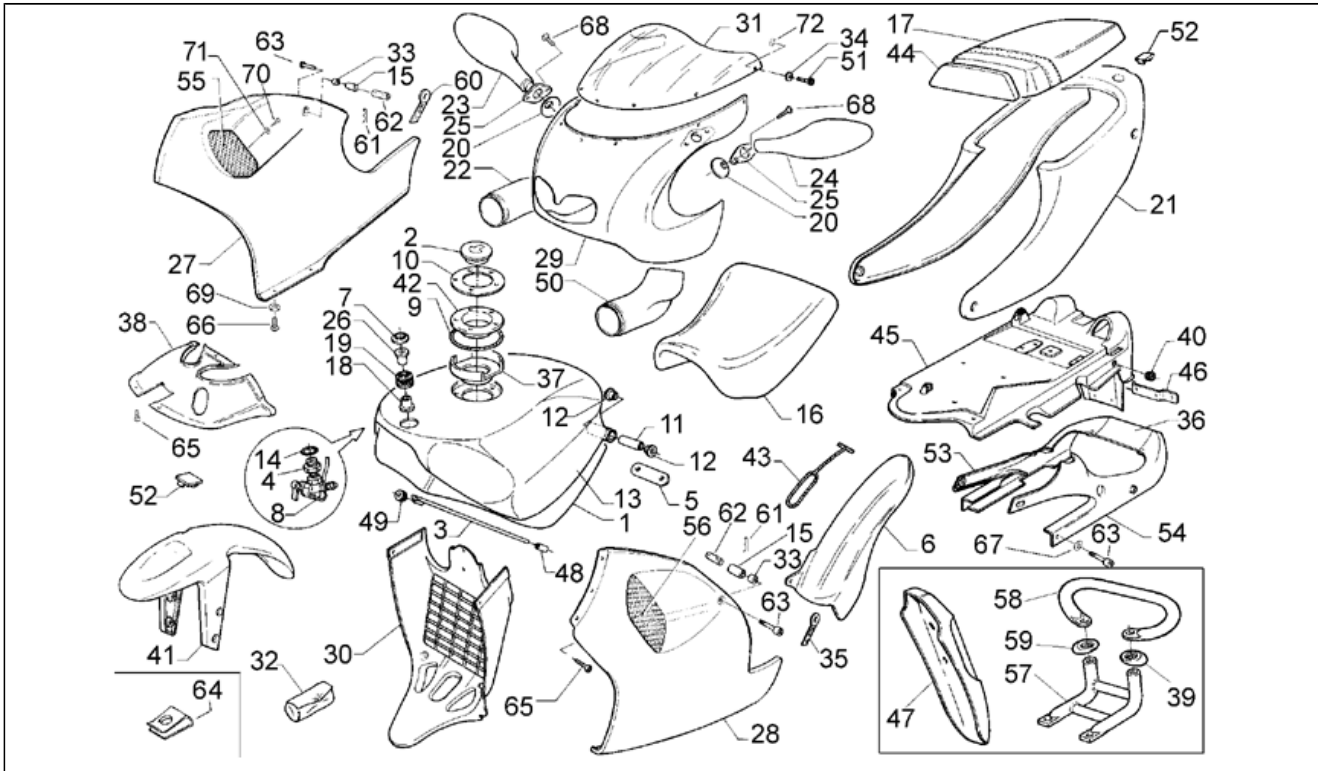
Pos.	Code	Description	Q.ty	Variants
				Color:Black 1996-1998[black]
41	AP8126538	Front mudguard, m. grey	1	year: 1996[T] Color:Mirage Grey 1996[Gr.m]
41	AP8126613	Front mudguard, s.grey	1	year: 1997[V] Color:Silver Grey 1997[Gr.s]
41	AP8126666	Front mudguard, cos. blue	1	year: 1998[W] Color:Grey/Red/Blu Valentino Rossi 1998[rossi]
41	AP8126670	Front mudguard, black	1	year: 1998[W] Color:Black 1996-1998[black]
42	AP8102233	Filler cap	1	
43	AP8120177	Headlight supp.snap	1	
44	AP8129154	Seat cushion	1	year: 1996[T], 1997[V] Color: Black 1996-1998[black] Country:Denmark[DK], Spain[E], Greece[GR], Italy[I], Malaysia[MAL], Portugal[P]
44	AP8129154	Seat cushion	1	year: 1996[T] Color: Mirage Grey 1996[Gr.m] Country:Denmark[DK], Spain[E], Greece[GR], Italy[I], Malaysia[MAL], Portugal[P]
44	AP8129190	Seat cushion	1	year: 1998[W] Country:Austria[A], Denmark[DK], Spain[E], France[F], Italy[I], Japan[J], Malaysia[MAL], Finland[SF], Singapore[SGP], Great Britain[UK]
44	AP8129214	Seat cushion, grey	1	year: 1997[V] Color: Silver Grey 1997[Gr.s] Country:Denmark[DK], Spain[E], Greece[GR], Italy[I], Malaysia[MAL], Portugal[P]
45	AP8126501	N.plate holder/glove comp.	1	
46	AP8134257	N.plate support	1	
47	AP8126385	Rear extension	1	Country:Switzerland[CH], Germany[D], Singapore[SGP]
48	AP8120712	Rubber spacer	1	
49	AP8120598	Rubber spacer *	1	

Assembly	FRAME
Code	28.02
Description	Body
Revision	1



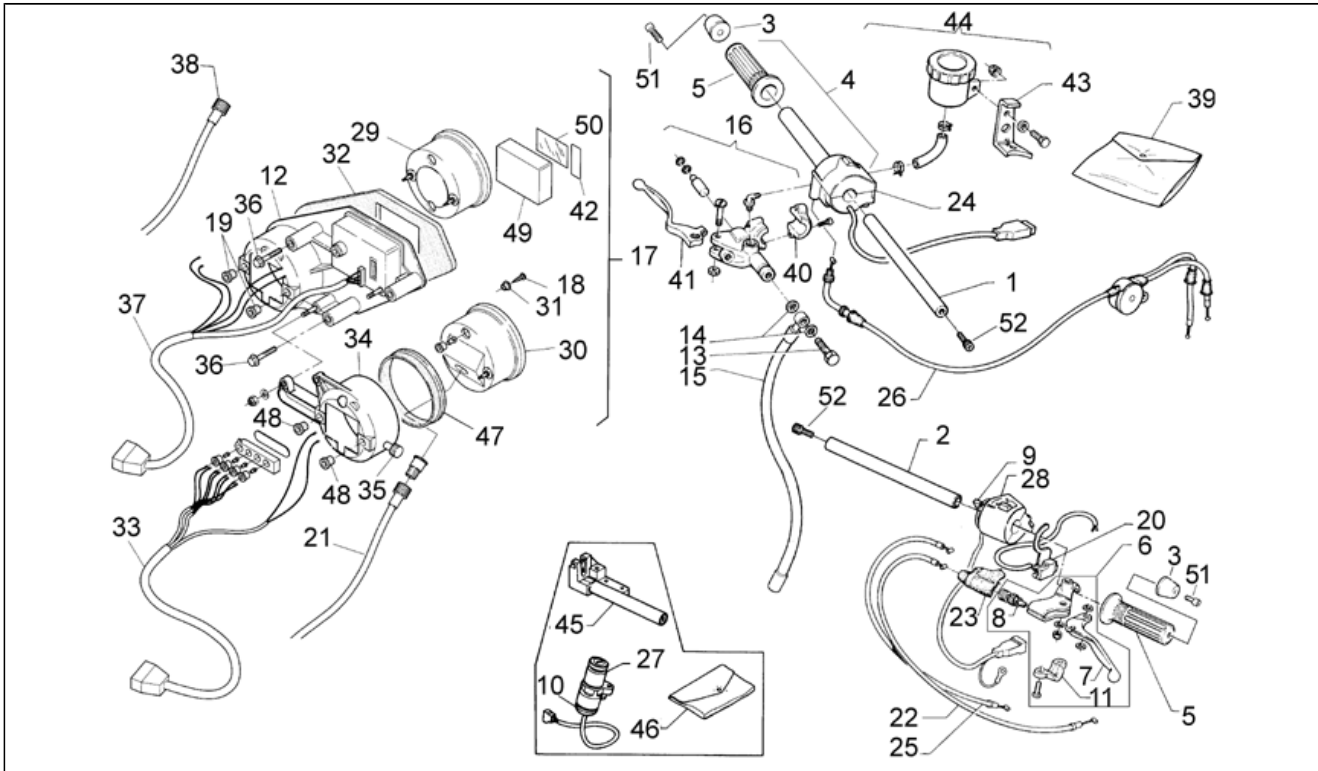
Pos.	Code	Description	Q.ty	Variants
50	AP8138303	LH air duct	1	
51	AP8102603	Rivet, anodized blu 5x10	7	year:1996[T], 1997[V]
51	AP8121303	Rivet, anodized nat. 5x10	7	year:1998[W]
52	AP8120708	Cable-guide	1	
53	AP8138083	RH saddle sup cov., black	1	year: 1996[T], 1997[V] Color:Black 1996-1998[black]
53	AP8138681	RH saddle sup cov., m.grey	1	year: 1996[T] Color:Mirage Grey 1996[Gr.m]
53	AP8139049	RH saddle sup cov., s.grey	1	year: 1997[V] Color:Silver Grey 1997[Gr.s]
53	AP8139441	RH saddle sup cov., grey	1	year:1998[W]
54	AP8138462	LH hol.pun.s.sup c., black	1	year: 1996[T] Color: Black 1996-1998[black] Country: Italy[I] Technical Specifications:Sport Production version[s.p.]
54	AP8138485	LH saddle sup cov., black	1	year: 1996[T], 1997[V] Color: Black 1996-1998[black] Country: Italy[I] Technical Specifications:11Kw power[11Kw], Full Power Version[f.p.]
54	AP8138485	LH saddle sup cov., black	1	year: 1996[T], 1997[V] Color: Black 1996-1998[black] Country:Germany[D], Denmark[DK], Spain[E], Greece[GR], Malaysia[MAL], Portugal[P]
54	AP8138682	LH saddle sup cov., m.grey	1	year: 1996[T] Color:Mirage Grey 1996[Gr.m]
54	AP8139050	LH saddle sup cov., s.grey	1	year: 1997[V] Color: Silver Grey 1997[Gr.s] Country:Germany[D], Denmark[DK], Spain[E], Greece[GR], Malaysia[MAL], Portugal[P]
54	AP8139050	LH saddle sup cov., s.grey	1	year: 1997[V] Color: Silver Grey 1997[Gr.s] Country: Italy[I]

Assembly	FRAME
Code	28.02
Description	Body
Revision	1



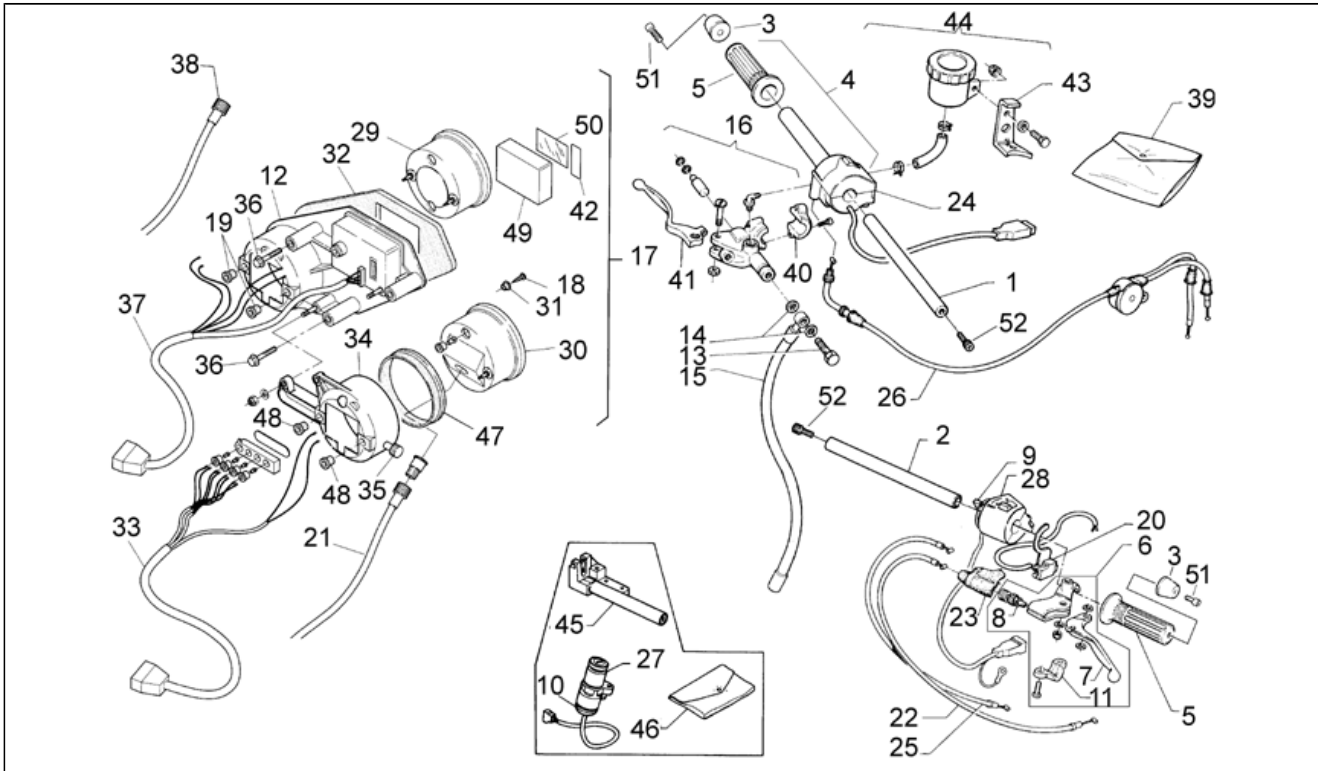
Pos.	Code	Description	Q.ty	Variants
				Technical Specifications: 11Kw power[11Kw], Full Power Version[f.p.]
54	AP8139067	LH hol.pun.s.sup c., grey	1	year: 1997[V] Color: Silver Grey 1997[Gr.s] Country: Italy[I] Technical Specifications: Sport Production version[s.p.]
54	AP8139443	LH saddle sup cov., grey	1	year: 1998[W]
55	AP8131733	RH side panel guard	1	
56	AP8131734	LH side panel guard	1	
57	AP8134403	Handle support	1	
58	AP8135973	Pillion grab bar, cat.	1	year: 1996[T], 1997[V]
58	AP8135973	Pillion grab bar, cat.	1	year: 1998[W] Color: Black 1996-1998[black]
58	AP8146142	Pillion grab bar, grey cat.	1	year: 1998[W] Color: Grey/Red/Blu Valentino Rossi 1998[rossi]
59	AP8220331	Rubber spacer *	1	
60	AP8134243	Upper RH fair.supp. plate	1	
61	AP8201287	Split pin	2	
62	AP8121867	Special bush *	2	
63	AP8152269	Hex socket screw M5x20*	9	
64	AP8102375	Clip M5	10	
65	AP8152298	Screw w/ flange M5x16	8	
66	AP8152268	Hex socket screw M5x16*	2	
67	AP8150178	Washer 6,4x12,5*	6	
68	AP8152246	Screw w/ flange M6x16*	4	
69	AP8150248	Washer 5,5x15x1,6	2	
70	AP8150420	Self-tapping screw *	10	
71	AP8150158	Washer 4,3x9x0,8*	6	
72	AP8150450	Washer for shafts D5	5	

Assembly	FRAME
Code	28.03
Description	Handlebar - Dashboard
Revision	1



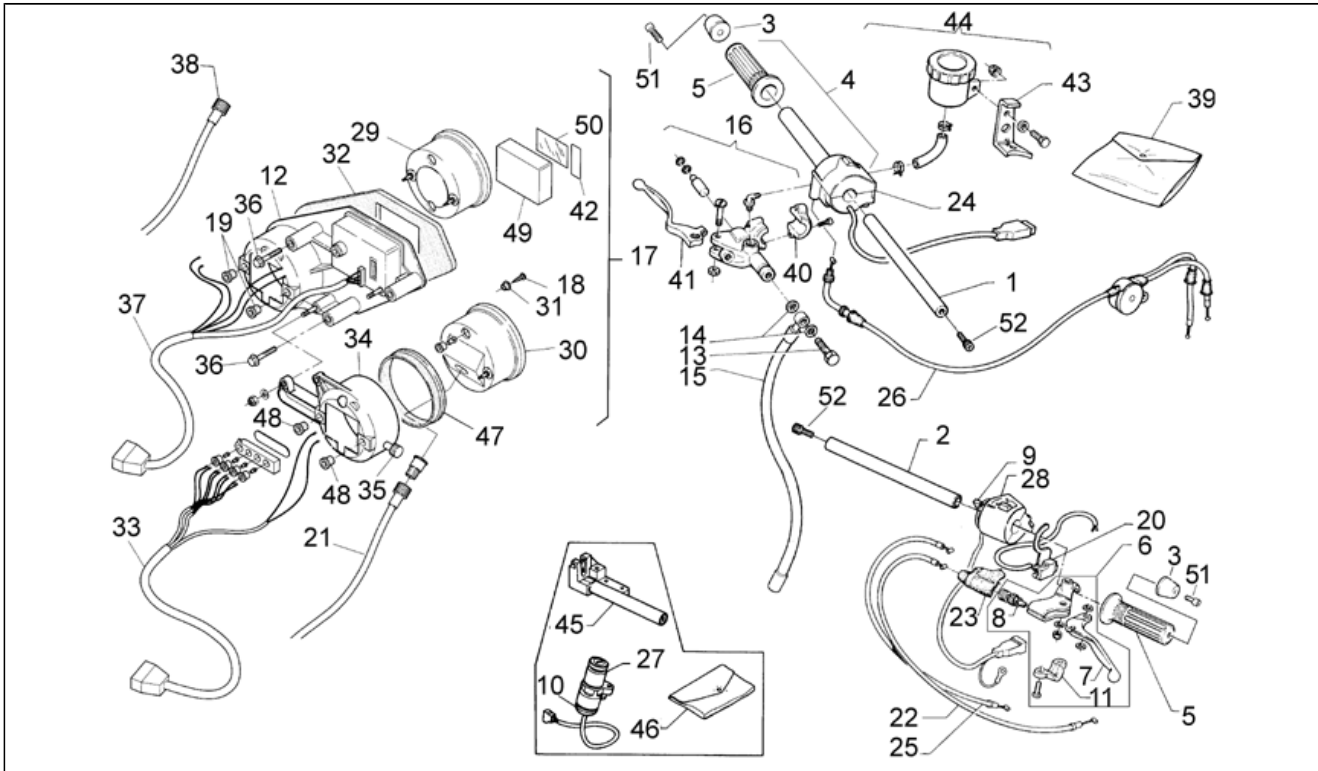
Pos.	Code	Description	Q.ty	Variants
1	AP8118343	Right half handlebar	1	
2	AP8118324	Left half handlebar	1	
3	AP8102579	Anti.v weight, black	2	year:1997[V], 1998[W]
3	AP8102660	Anti.v weight, grey	2	year:1996[T]
4	AP8118307	Throttle+hand grip	1	year:1996[T], 1997[V]
4	AP8118307	Throttle+hand grip	1	year: 1998[W] Color:Black 1996-1998[black]
4	AP8118493	Throttle+hand grip	1	year: 1998[W] Color:Grey/Red/Blu Valentino Rossi 1998[rossi]
5	AP8118287	Handgrip - pair	1	year:1996[T], 1997[V]
5	AP8118287	Handgrip - pair	1	year: 1998[W] Color:Black 1996-1998[black]
5	AP8118497	Handgrip pair, yellow	1	year: 1998[W] Color:Grey/Red/Blu Valentino Rossi 1998[rossi]
6	AP8118439	Clutch control complete	1	
7	AP8118432	Clutch lever	1	
8	AP8118233	Clutch lever adjuster	1	
9	AP8118308	Starter lever	1	
10	AP8112802	Commutator wiring	1	
11	AP8218077	Clutch lever U-bolt	1	
12	AP8124197	Tachometer support	1	
13	AP8113003	Oil pipe screw *	1	
14	AP8113004	Washer 10x14x1,6*	2	
15	AP8113509	Front brake hose	1	
16	AP8113617	Front master cilinder	1	
17	AP8124145	Dashboard complete	1	year:1996[T]
17	AP8124467	Dashboard complete	1	year:1997[V], 1998[W]
18	AP8123553	Plug screw	1	
19	AP8124255	Rubber tachometer	2	

Assembly	FRAME
Code	28.03
Description	Handlebar - Dashboard
Revision	1



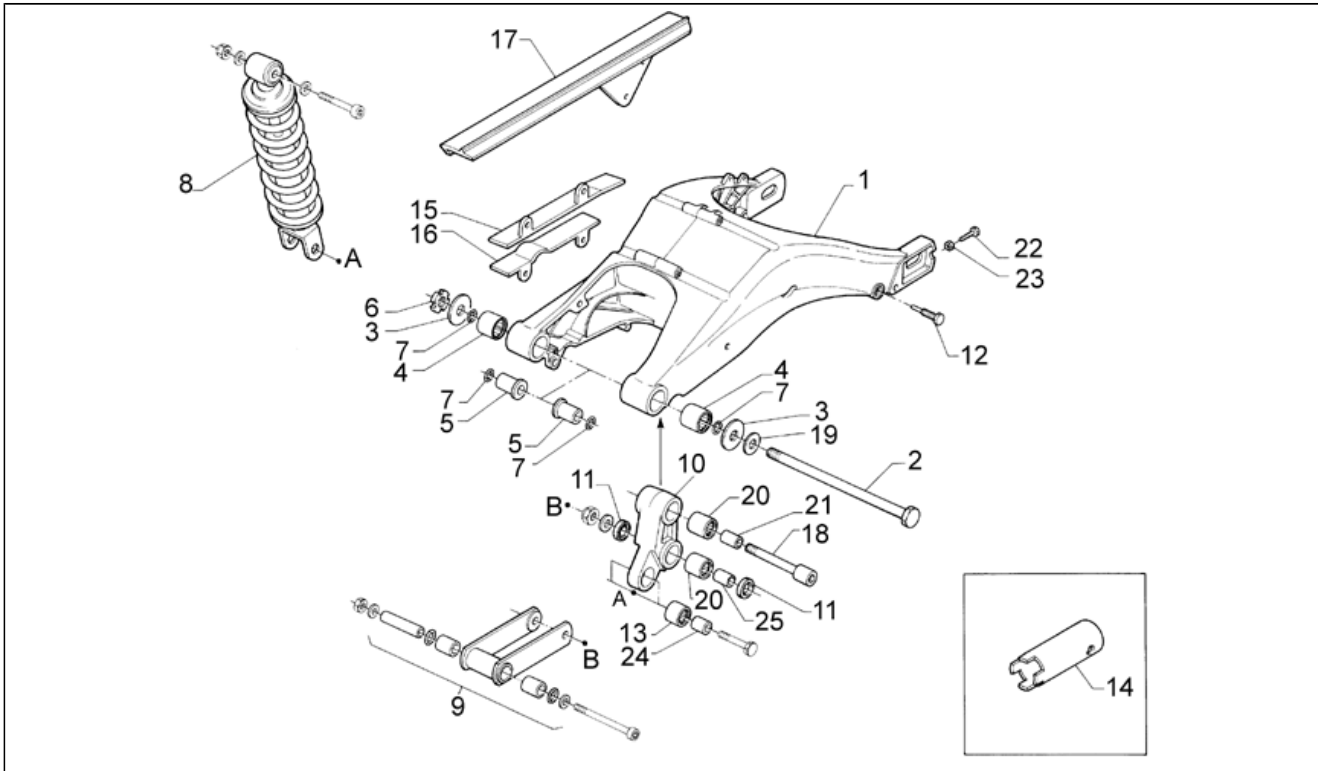
Pos.	Code	Description	Q.ty	Variants
20	AP8124152	Chronometer button	1	
21	AP8114334	Odometer cable	1	
22	AP8114321	Clutch cable	1	
23	AP8120467	Clutch adjuster sleeve	1	
24	AP8118409	Start pushbutton	1	year:1996[T], 1997[V]
24	AP8118409	Start pushbutton	1	year: 1998[W] Country:Austria[A], Switzerland[CH], Germany[D], Denmark[DK], Spain[E], France[F], Italy[I], Malaysia[MAL], Finland[SF], Singapore[SGP], Great Britain[UK]
24	AP8124531	RH lights selector	1	year: 1998[W] Country:Japan[J]
25	AP8114331	Choke cable	1	
26	AP8114320	Throttle cable w/ splitter	1	
27	AP8112710	Main switch - steering lock	1	
28	AP8124173	LH lights sel. w/wiring	1	
29	AP8124225	Tachometer	1	
30	AP8124224	Speedometer	1	year:1996[T]
30	AP8124486	Speedometer	1	year:1997[V], 1998[W]
31	AP8124253	Sponge fixing bush	1	
32	AP8124198	Sponge gasket	1	
33	AP8124228	Speedometer cable	1	
34	AP8124227	Tachometer supp.	1	
35	AP8131176	Reset button	1	
36	AP8152267	Hex socket screw M5x12*	2	
37	AP8124229	Tachometer cable-multif.	1	
39	AP8113439	Front pump rev. kit	1	
40	AP8213078	U-bolt	1	
41	AP8118460	Front brake lever	1	
42	AP8124195	Multif.device plug	1	

Assembly	FRAME
Code	28.03
Description	Handlebar - Dashboard
Revision	1



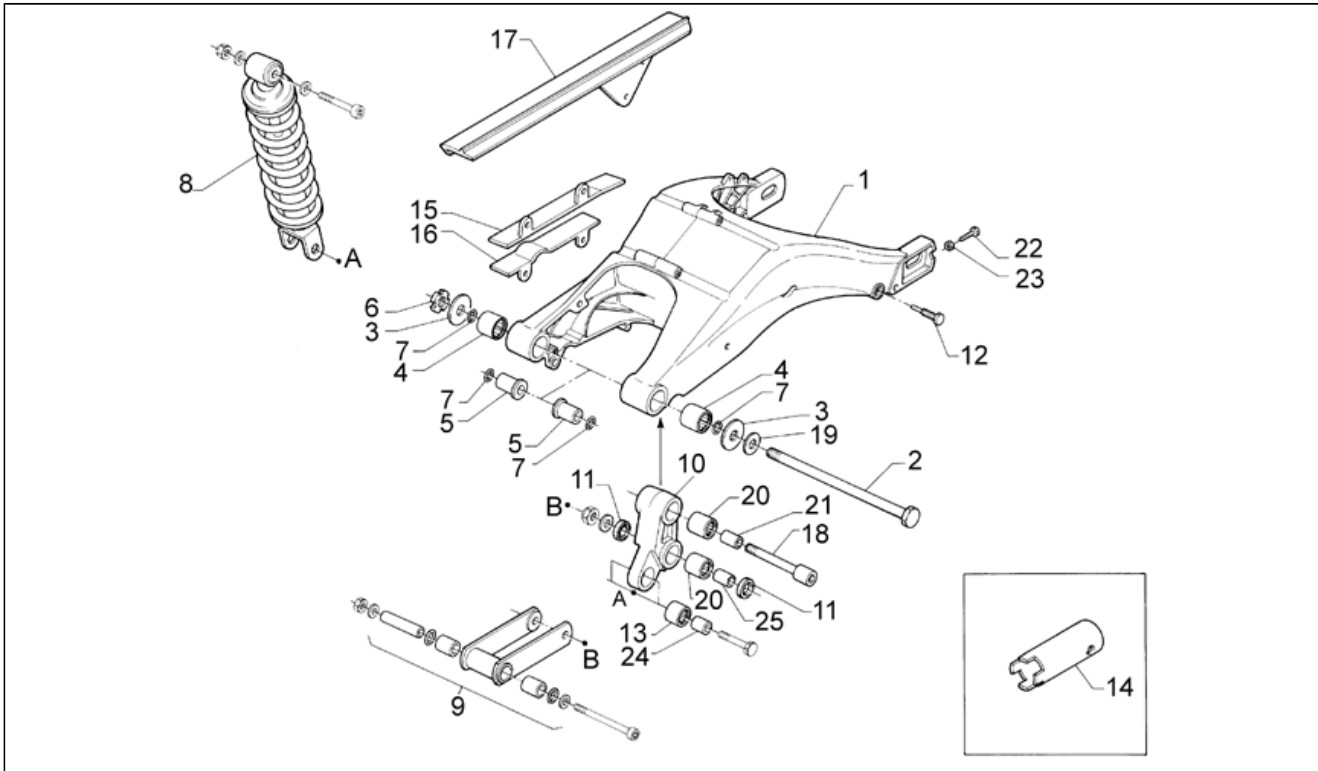
Pos.	Code	Description	Q.ty	Variants
43	AP8121892	Oil brake tank supp.	1	
44	AP8113241	Brake oil tank complete	1	year:1996[T]
44	AP8113280	Brake oil tank complete	1	year:1997[V], 1998[W]
45	AP8201564	Saddle lock	1	
46	AP8102512	Lock hardware kit	1	
47	AP8124252	Speedometer gasket	1	
48	AP8124254	Rubber speedometer	1	
49	AP8124226	Multifun. device	1	
50	AP8124194	Window	1	
51	AP8150157	Hex socket screw M6x60	2	
52	AP8150049	Screw M10x60	2	

Assembly	FRAME
Code	28.04
Description	Rear shock absorber
Revision	1



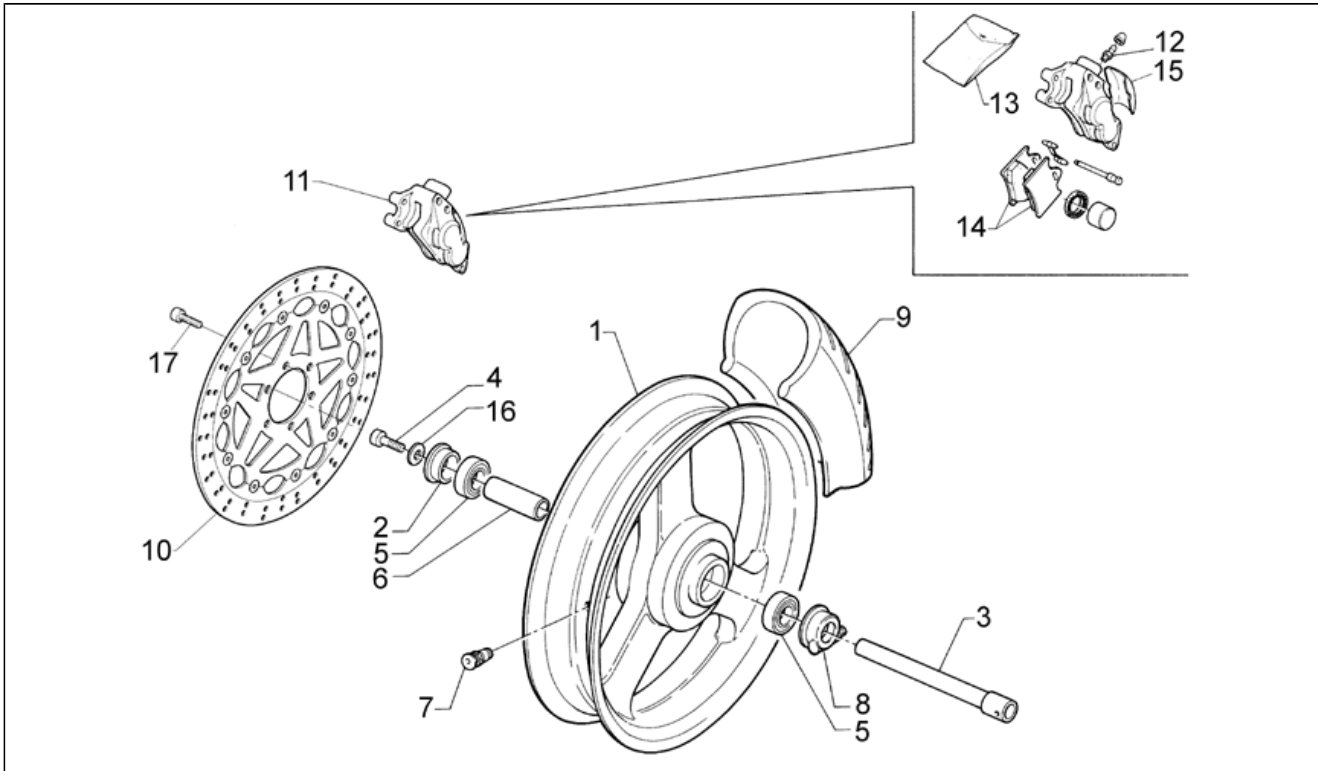
Pos.	Code	Description	Q.ty	Variants
1	AP8135961	Pulish.swing arm	1	
2	AP8125627	Rear swing arm pin	1	
3	AP8101341	Clearance washer	6	
4	AP8110067	Needle bearing 22x28x16	2	
5	AP8121121	Rear sw.arm piv.bush	2	
6	AP8150299	Ring nut M17x1	1	
7	AP8120280	O-ring 4087	4	
8	AP8123663	Shock absorber	1	year: 1996[T], 1997[V] Technical Specifications: 11Kw power[11Kw], 80Km/h speed[80], Full Power Version[f.p.]
8	AP8123663	Shock absorber	1	year: 1998[W]
8	AP8123676	Shock absorber	1	year: 1996[T], 1997[V] Technical Specifications: Sport Production version[s.p.]
9	AP8132634	Single conrod	1	
10	AP8135362	Double conrod	1	
11	AP8120485	Gasket ring	4	
12	AP8135396	Brake supp. plate pin	1	
13	AP8110064	Roller cage	1	
14	AP8101945	Key for ring nut M17x1	1	
15	AP8120793	Upper chain guide plate	1	
16	AP8120794	Lower chain guide plate	1	
17	AP8131623	Chain guard, black	1	
18	AP8150346	Hex socket screw M12x78.5	1	
19	AP8152063	Washer 17x30x3*	1	
20	AP8110063	Roller cage	2	
21	AP8121846	Double connecting rod pin	1	
22	AP8152261	Chain tensioner screw	2	
23	AP8152262	Low nut M8*	2	
24	AP8121847	Double connecting rod pin	1	

Assembly	FRAME
Code	28.04
Description	Rear shock absorber
Revision	1



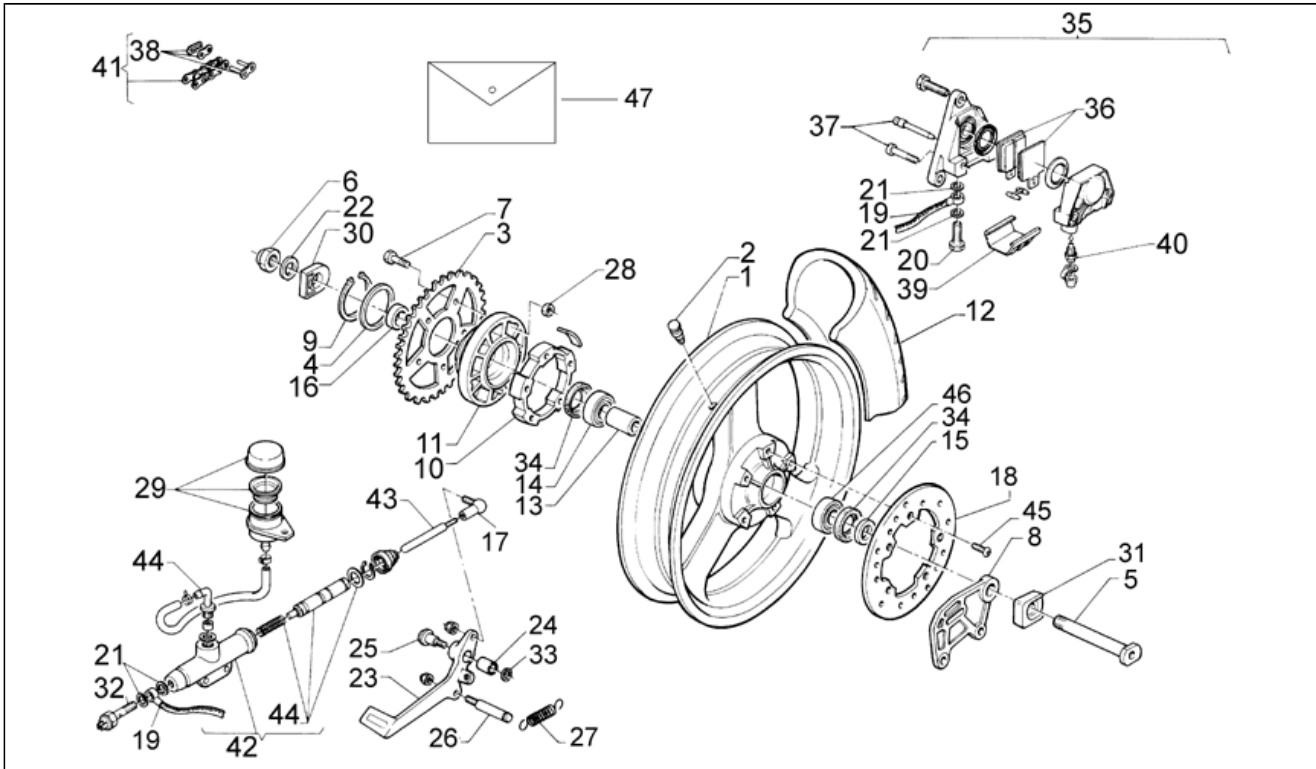
Pos.	Code	Description	Q.ty	Variants
25	AP8121845	Piston pin L=50	1	

Assembly	FRAME
Code	28.06
Description	Front wheel complete
Revision	1



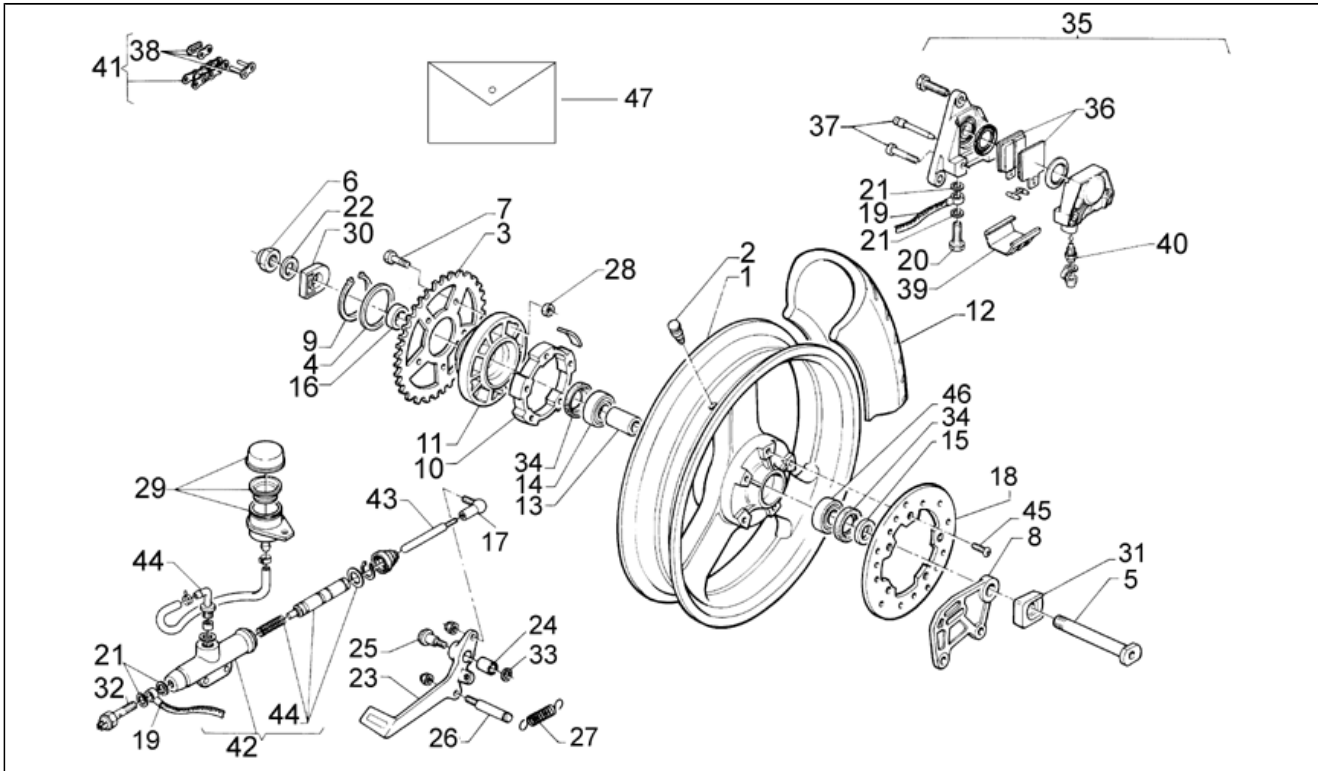
Pos.	Code	Description	Q.ty	Variants
1	AP8108564	Front wheel, black	1	Technical Specifications: 11Kw power[11Kw], 80Km/h speed[80], Full Power Version[f.p.]
1	AP8108619	Front wheel(complete)	1	Technical Specifications: Sport Production version[s.p.]
2	AP8121157	Front RH whe.ou.spacer	1	Technical Specifications: 11Kw power[11Kw], 80Km/h speed[80], Full Power Version[f.p.]
2	AP8125662	Front RH whe.ou.spacer	1	Technical Specifications: Sport Production version[s.p.]
3	AP8125388	Front wheel spindle	1	
4	AP8125418	Wheel spindle screw	1	
5	AP8125644	Front wheel bear.	1	Technical Specifications: 11Kw power[11Kw], 80Km/h speed[80], Full Power Version[f.p.]
5	AP8125660	Front wheel bear.	1	Technical Specifications: Sport Production version[s.p.]
6	AP8125469	Spacer	1	Technical Specifications: 11Kw power[11Kw], 80Km/h speed[80], Full Power Version[f.p.]
6	AP8125661	Internal spacer	1	Technical Specifications: Sport Production version[s.p.]
7	AP8101744	Tubeless tyre valve	1	
8	AP8101819	Odometer gear	1	
9	0000000	Tyre 110/90"	1	
10	AP8113567	Front brake disc D320	1	
11	AP8113530	Front brake caliper, gold	1	
12	AP8113006	Air bleed valve	1	
13	AP8113309	Front brake caliper rev. kit	1	
14	AP8113489	Front pads pair I/D452	1	
15	AP8113310	Brake caliper cover	1	
16	AP8150208	Washer 15x28x2,5*	1	
17	AP8152286	Screw w/ flange M8x20	1	

Assembly	FRAME
Code	28.07
Description	Rear wheel
Revision	1



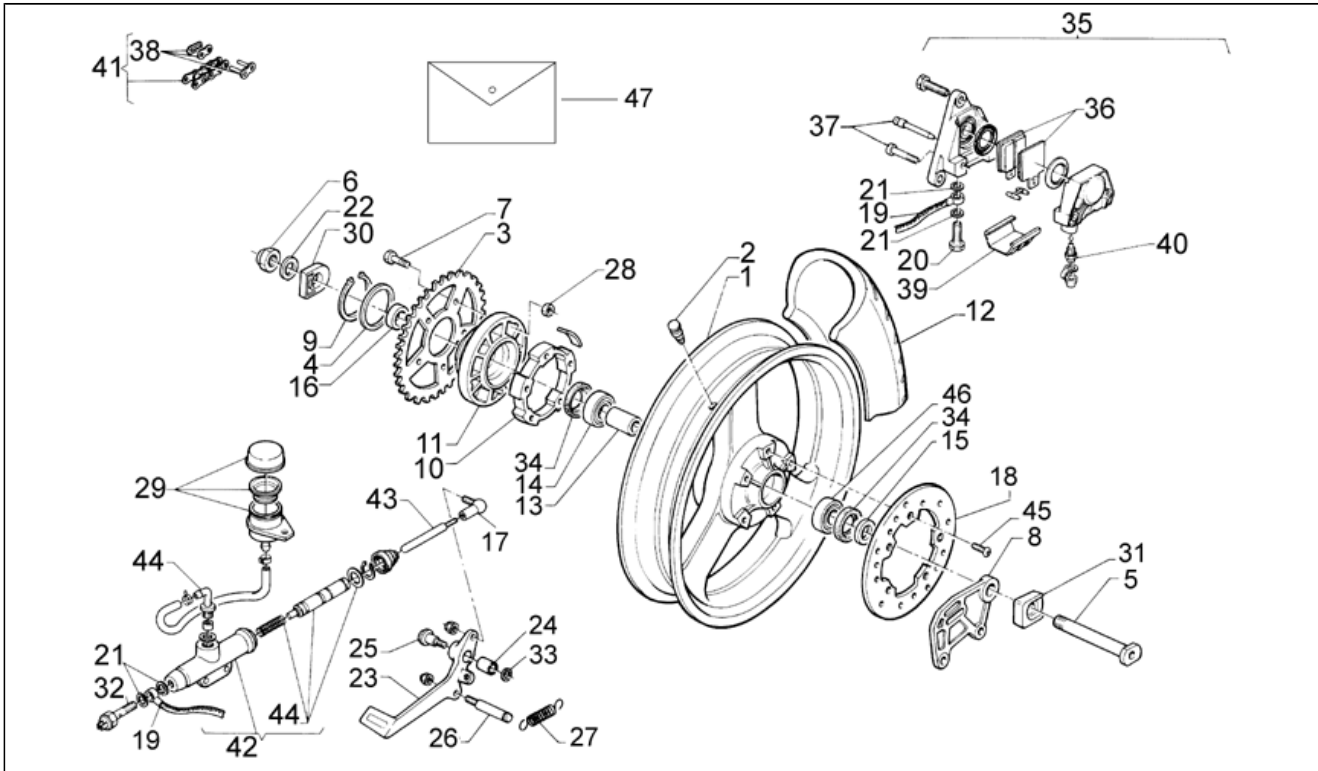
Pos.	Code	Description	Q.ty	Variants
1	AP8108565	Rear wheel, black	1	Technical Specifications: 11Kw power[11Kw], 80Km/h speed[80], Full Power Version[f.p.]
1	AP8108621	Rear wheel(complete)	1	Technical Specifications: Sport Production version[s.p.]
2	AP8101744	Tubeless tyre valve	1	
3	AP8107090	Chain ring Z=39	1	Technical Specifications: 11Kw power[11Kw], 80Km/h speed[80]
3	AP8107116	Chain ring Z=40	1	Technical Specifications: Full Power Version[f.p.], Sport Production version[s.p.]
4	AP8102296	Snap ring	1	
5	AP8125631	Rear wheel spindle	1	
6	AP8125763	Rear wheel spindle nut	1	
7	AP8125635	Hex screw M8x25	5	
8	AP8134429	Brake hanger plate	1	
9	AP8125637	Circlip chain ring	1	Technical Specifications: 11Kw power[11Kw], 80Km/h speed[80], Full Power Version[f.p.]
9	AP8125668	Circlip chain ring	1	Technical Specifications: Sport Production version[s.p.]
10	AP8120792	Flexible coupling rubber	1	
11	AP8125628	Crown holder	1	
12	0000000	Tyre 110/90"	1	
13	AP8125645	Rear wheel ins.spacer	1	Technical Specifications: 11Kw power[11Kw], 80Km/h speed[80], Full Power Version[f.p.]
13	AP8125666	Rear wheel ins.spacer	1	Technical Specifications: Sport Production version[s.p.]
14	AP8125646	Rear wheel bear.	2	Technical Specifications: 11Kw power[11Kw], 80Km/h speed[80], Full Power Version[f.p.]
14	AP8125663	Rear wheel bear.	2	Technical Specifications: Sport Production version[s.p.]
15	AP8125639	LH wheel ou.spacer	1	
16	AP8125638	RH wheel ou.spacer	1	Technical Specifications: 11Kw power[11Kw], 80Km/h speed[80], Full Power Version[f.p.]
16	AP8125667	RH wheel ou.spacer	1	Technical Specifications: Sport Production version[s.p.]
17	AP8210007	RH ball joint M6	1	

Assembly	FRAME
Code	28.07
Description	Rear wheel
Revision	1



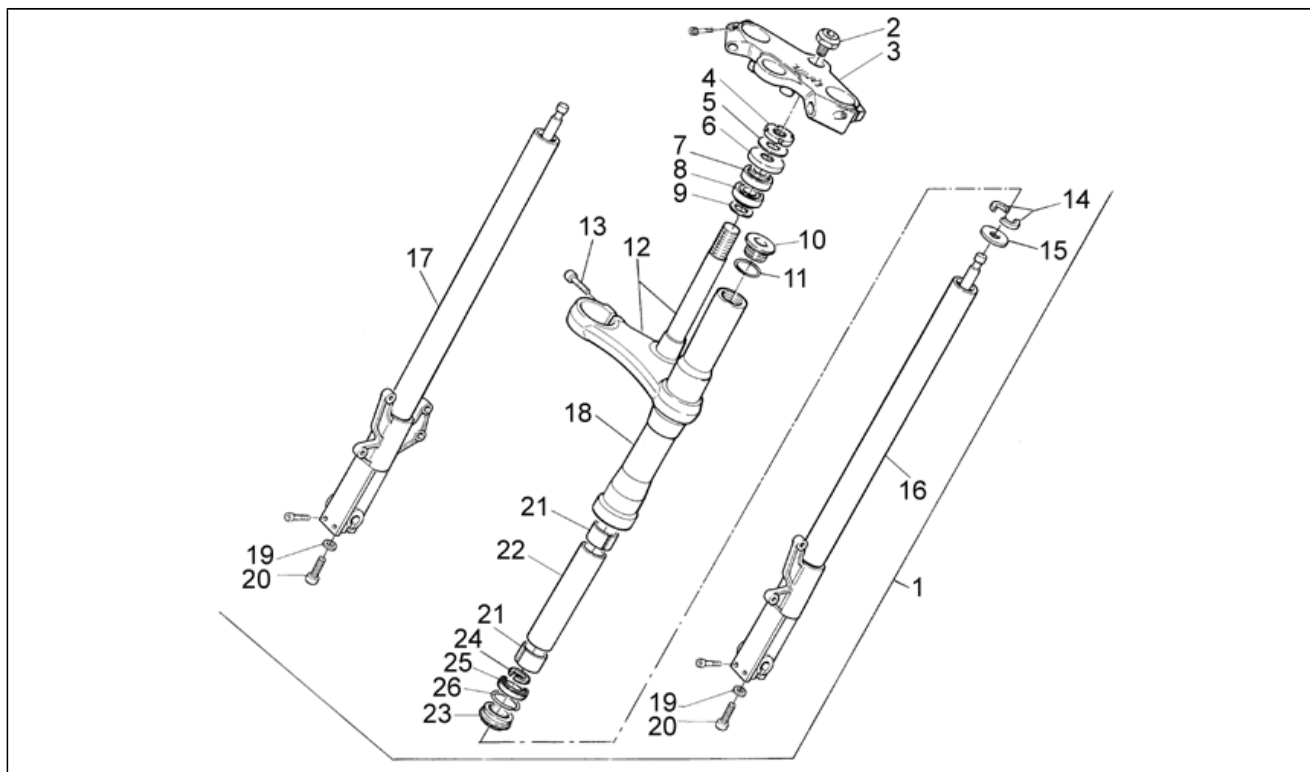
Pos.	Code	Description	Q.ty	Variants
18	AP8113237	Rear brake disc	1	year:1996[T]
18	AP8113628	Rear brake disc	1	year:1997[V], 1998[W]
19	AP8113510	Rear brake hose	1	
20	AP8113003	Oil pipe screw *	1	
21	AP8113004	Washer 10x14x1,6*	2	
22	AP8121852	Washer 20x30x1	1	
23	AP8132635	Rear brake lever	1	
24	AP8121147	Spacer *	1	
25	AP8121284	Brake lever pin	1	
26	AP8121835	Springs fixing pin	1	
27	AP8121118	Coil pull spring *	1	
28	AP8125636	Self-locking nut M8	5	
29	AP8213086	Oil tank	1	
30	AP8120807	RH chain guide plate, br.	1	
31	AP8120806	LH chain guide plate, br.	1	
32	AP8124479	Brake light switch	1	
33	AP8121697	Belleville spring	1	
34	AP8125647	Rear wheel oil seal	2	
35	AP8113596	Rear brake caliper, gold	1	
36	AP8113651	Pads pair	1	
37	AP8113602	Fixing pin	1	
38	AP8107135	Connecting link	1	Country: Switzerland[CH], Denmark[DK], Spain[E], Greece[GR], Italy[I], Japan[J], Malaysia[MAL], Holland[NL], Portugal[P], Poland[PL], Finland[SF], Singapore[SGP], Great Britain[UK] Technical Specifications: 11Kw power[11Kw], Full Power Version[f.p.]
38	AP8107135	Connecting link	1	Country: Germany[D] Technical Specifications: 11Kw power[11Kw], 80Km/h speed[80]

Assembly	FRAME
Code	28.07
Description	Rear wheel
Revision	1



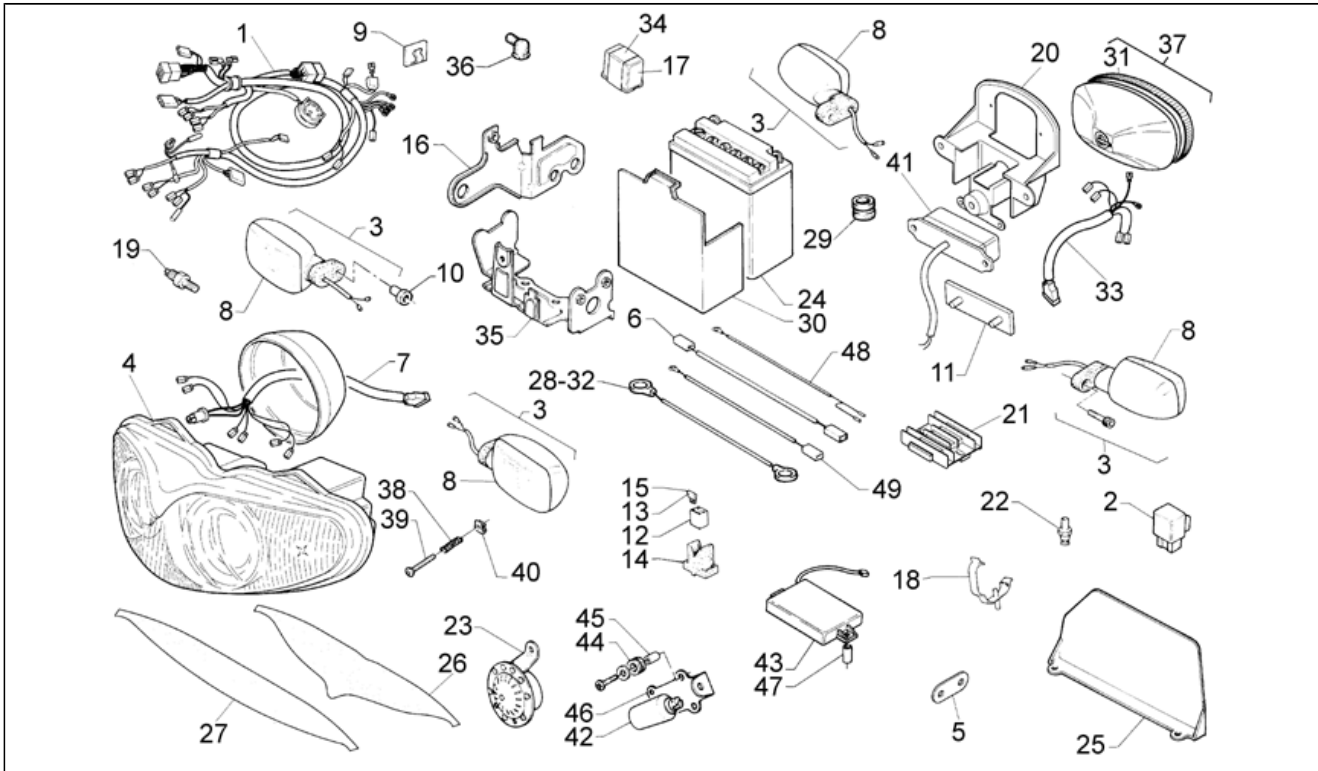
Pos.	Code	Description	Q.ty	Variants
38	AP8107140	Connecting link	1	Country:France[F]
39	AP8113117	Brake caliper cover	1	
40	AP8113006	Air bleed valve	1	
41	AP8107045	Chain cpl conn.link	1	Country:France[F]
41	AP8107110	Chain cpl conn.link	1	Country: Switzerland[CH], Denmark[DK], Spain[E], Greece[GR], Italy[I], Japan[J], Malaysia[MAL], Holland[NL], Portugal[P], Poland[PL], Finland[SF], Singapore[SGP], Great Britain[UK] Technical Specifications:11Kw power[11Kw], Full Power Version[f.p.]
41	AP8107110	Chain cpl conn.link	1	Country: Germany[D] Technical Specifications:11Kw power[11Kw]
41	AP8107121	Chain cpl conn.link	1	Country: Germany[D] Technical Specifications:80Km/h speed[80]
42	AP8113254	Rear master cyl.w/out tank	1	year: 1997[V], 1998[W] Technical Specifications:Full Power Version[f.p.]
42	AP8113254	Rear master cyl.w/out tank	1	year:1996[T]
42	AP8213117	Rear master cylinder	1	year: 1997[V], 1998[W] Technical Specifications:11Kw power[11Kw], 80Km/h speed[80]
43	AP8221074	Rear master cyl.rod	1	
44	AP8113322	Rear pump rev. kit	1	year:1996[T]
44	AP8113322	Rear pump rev. kit	1	year: 1997[V], 1998[W] Technical Specifications:Full Power Version[f.p.]
44	AP8113366	Rear pump rev. kit	1	year: 1997[V], 1998[W] Technical Specifications:11Kw power[11Kw], 80Km/h speed[80]
45	AP8152060	Hex socket screw M6x20	5	
46	AP8125646	Rear wheel bear.	1	Technical Specifications:11Kw power[11Kw], 80Km/h speed[80], Full Power Version[f.p.]
46	AP8125664	Rear wheel bear.	1	Technical Specifications:Sport Production version[s.p.]
47	AP8113198	Brake caliper rev. kit	1	

Assembly	FRAME
Code	28.08
Description	Front fork
Revision	1



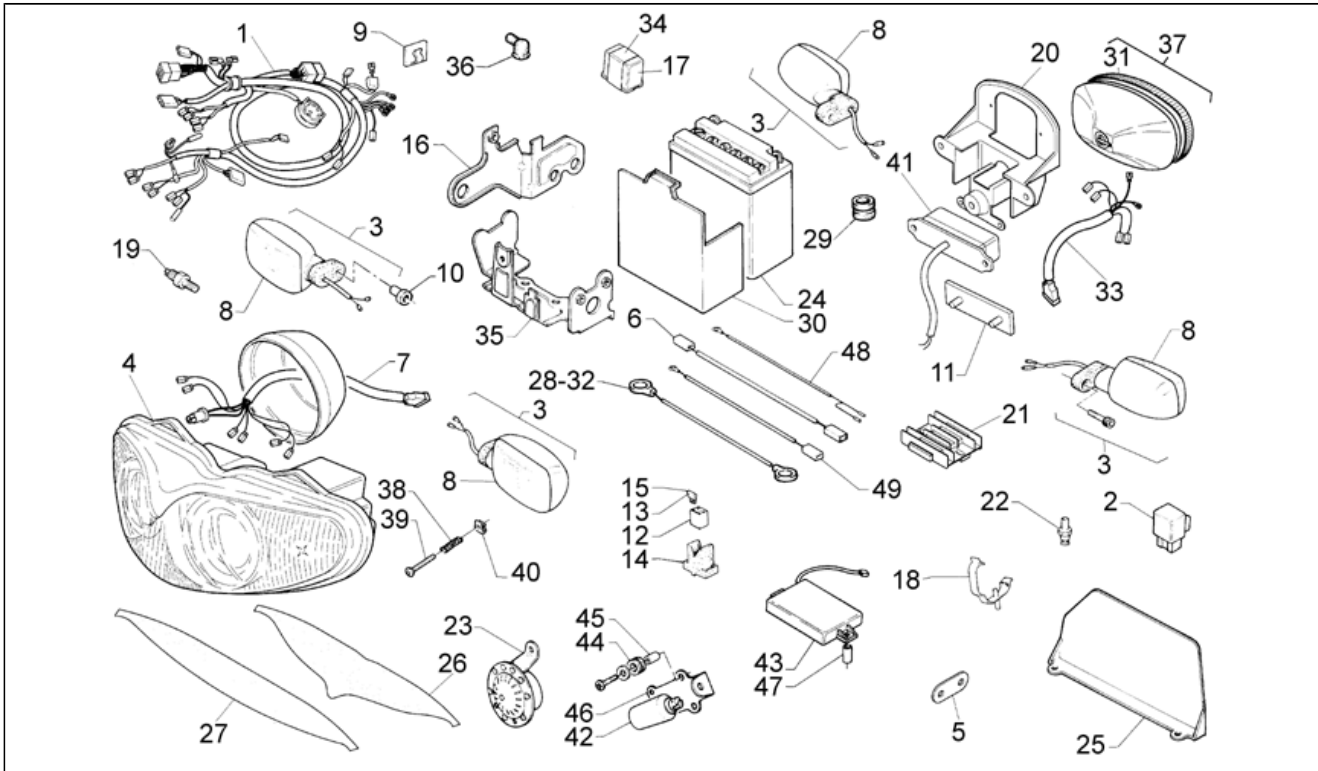
Pos.	Code	Description	Q.ty	Variants
1	AP8123693	Front fork	1	
2	AP8150352	Plug	1	
3	AP8123666	Fork upper plate	1	
4	AP8150299	Ring nut M17x1	1	
5	AP8203550	Steering washer	1	
6	AP8101106	Gasket ring	1	
7	AP8110025	Ball bearing	1	
8	AP8110024	Roller bearing	1	
9	AP8101271	Lower dust cover ring	1	
10	AP8123692	Red sleeve plug	2	
11	AP8123514	O-ring	2	
12	AP8123316	Stem base	1	
13	AP8203570	Screw M8x30	2	
14	AP8123441	Half ring	4	
15	AP8123357	Ring spring	2	
16	AP8123633	Hub+LH fork leg	1	
17	AP8123632	Hub+RH fork leg	1	
18	AP8123691	Sleeve, black	2	
19	AP8123191	Seal washer	2	
20	AP8123216	Screw M10x30	2	
21	AP8123203	Sliding bush	2	
22	AP8123315	Spacer	2	
23	AP8123777	Dust cover + spring	2	
24	AP8123256	Circlip	2	
25	AP8103235	Gasket ring	2	
26	AP8123199	Stop ring	2	

Assembly	FRAME
Code	28.09
Description	Electrical system
Revision	1



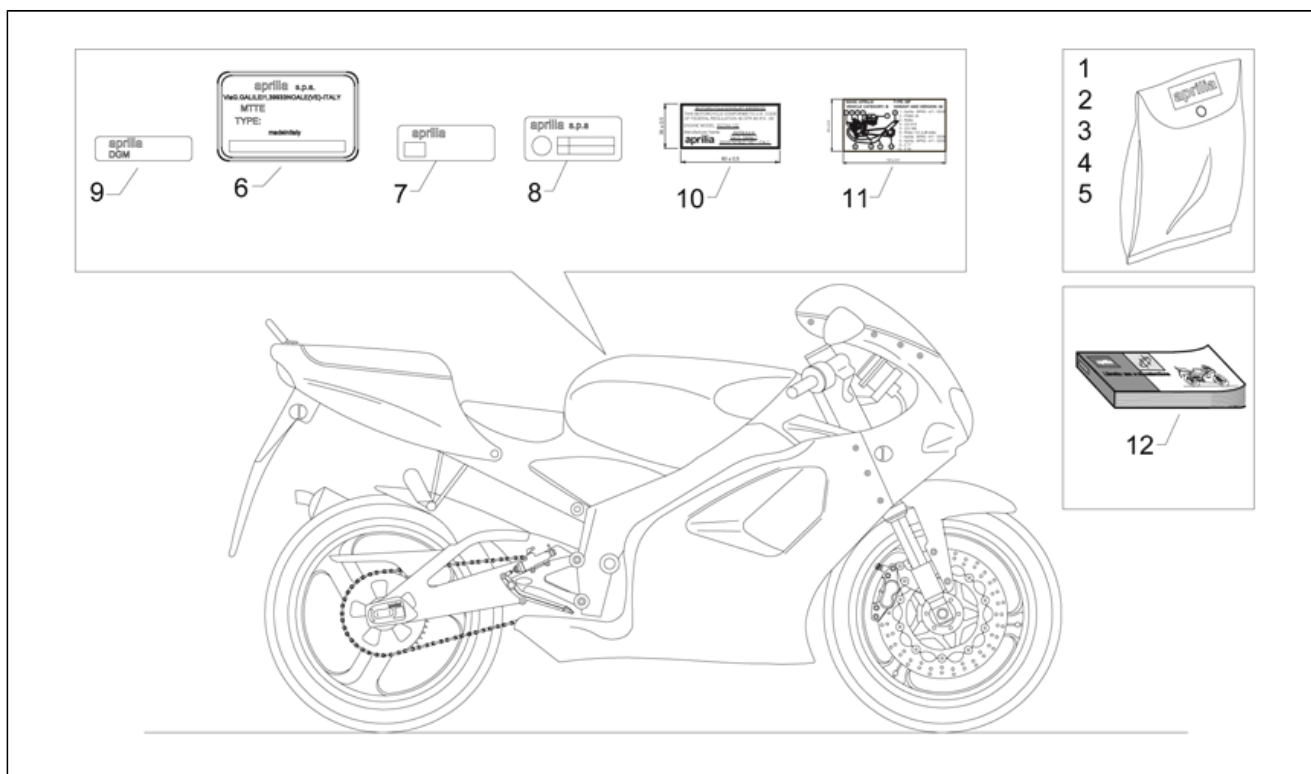
Pos.	Code	Description	Q.ty	Variants
1	AP8124116	Main wiring harness	1	Technical Specifications: 11Kw power[11Kw], 80Km/h speed[80], Full Power Version[f.p.]
1	AP8124211	Main wiring harness	1	Technical Specifications: Sport Production version[s.p.]
2	AP8124235	Flasher unit 12V 10+10W	1	
3	AP8112687	Turn indicator	1	
4	AP8112961	Headlight	1	Country: Austria[A], Switzerland[CH], Germany[D], Denmark[DK], Spain[E], France[F], Greece[GR], Italy[I], Malaysia[MAL], Portugal[P], Finland[SF]
4	AP8124174	Headlight -UK-	1	Country: Japan[J], Singapore[SGP], Great Britain[UK]
5	AP8134348	Coil support plate	1	
6	AP8124119	Relay-starter motor cable	1	
7	AP8124075	Headlight wiring w/harness	1	
8	AP8112756	Turn indicator lens	4	
9	AP8120721	Black adh.cable guide	1	
10	AP8121795	T bush *	4	
11	AP8112916	Rear reflector	0	
12	AP8112811	Rubber fuse box	3	year: 1996[T], 1997[V]
12	AP8120754	Rubber fuse box	3	year: 1998[W]
13	AP8112176	Fuse 15A	1	
14	AP8112942	Rubber fuse box	1	year: 1998[W]
14	AP8120754	Rubber fuse box	1	year: 1996[T], 1997[V]
15	AP8112244	Fuse 7,5A	1	
16	AP8124117	Fuse block support	1	
17	AP8112523	Starter relay	1	
18	AP8120582	Cable-guide	1	
19	AP8124399	Brake light switch	1	
20	AP8134335	Rear headlight supp.	1	
21	AP8112906	Voltage regulator	1	
22	AP8124487	Thermistor	1	

Assembly	FRAME
Code	28.09
Description	Electrical system
Revision	1



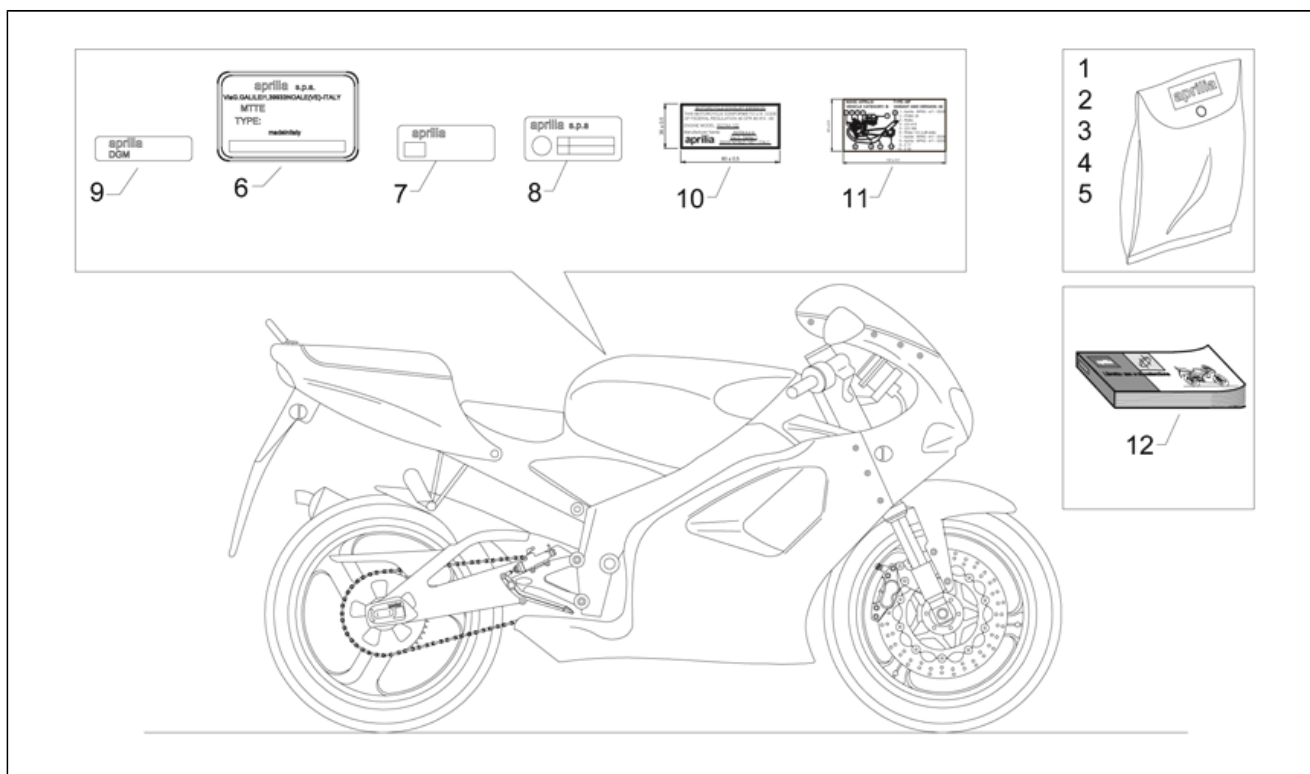
Pos.	Code	Description	Q.ty	Variants
23	AP8112413	Horn	1	
24	AP8112290	Battery	1	
25	AP8131739	Tens. regulator guard	1	
26	AP8137646	Upper light guard decal	1	
27	AP8137647	Lower light guard decal	1	
28	AP8112458	Battery negative leads	1	
29	AP8112599	Rubber spacer *	1	
30	AP8131256	Battery holder	1	
31	AP8212679	Taillight lens	1	
32	AP8112460	Relay-motor cable	1	
33	AP8124141	Taillight wiring harn.	1	
34	AP8220201	Rubber spacer *	1	
35	AP8135448	Battery holder supp. plate	1	
36	AP8120218	Terminal cap	1	
37	AP8124006	Taillight	1	
38	AP8121798	Coil compress. spring *	1	
39	AP8221035	Screw M4x78*	1	
40	AP8201215	Clip M4*	1	
41	AP8212702	Number-plate light	1	
42	AP8112567	Rave cont.solenoid	1	Technical Specifications:Full Power Version[f.p.]
43	AP8112568	Rave ECU	1	Technical Specifications:Full Power Version[f.p.]
43	AP8112612	Rave ECU	1	Country:Switzerland[CH]
43	AP8112659	Rave ECU	1	Technical Specifications:Sport Production version[s.p.]
44	AP8120405	Rubber spacer *	1	Technical Specifications:Full Power Version[f.p.]
45	AP8121736	T bush	2	Technical Specifications:Full Power Version[f.p.]
46	AP8132869	Solenoid supp. plate	1	Technical Specifications:Full Power Version[f.p.]
47	AP8220185	Dashboard bush	1	Technical Specifications:Full Power Version[f.p.]

Assembly	FRAME
Code	28.10
Description	Plate set and decal
Revision	1



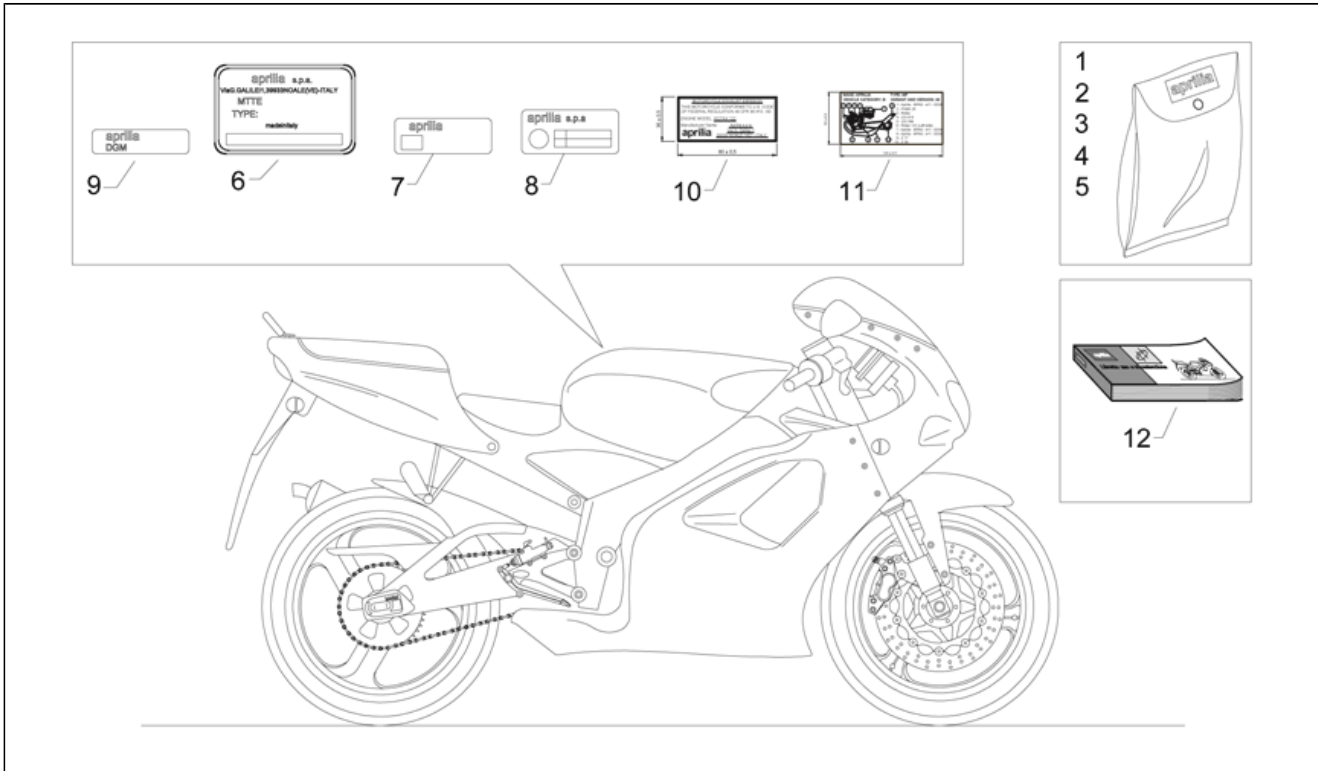
Pos.	Code	Description	Q.ty	Variants
1	AP8147063	Tank decal set	0	year: 1996[T] Color:Mirage Grey 1996[Gr.m]
1	AP8147071	Tank decal set	0	year: 1996[T] Color:Black 1996-1998[black]
1	AP8147392	Tank decal set	0	year: 1997[V] Color:Black 1996-1998[black]
1	AP8147393	Tank decal set	0	year: 1997[V] Color:Silver Grey 1997[Gr.s]
1	AP8147847	Tank decal set	1	year: 1998[W] Color:Grey/Red/Blu Valentino Rossi 1998[rossi]
1	AP8147848	Tank decal set	1	year: 1998[W] Color:Black 1996-1998[black]
2	AP8147064	Fairing decal set	0	year: 1996[T] Color:Mirage Grey 1996[Gr.m]
2	AP8147072	Fairing decal set	0	year: 1996[T] Color:Black 1996-1998[black]
2	AP8147394	Fairing decal set	0	year: 1997[V] Color:Black 1996-1998[black]
2	AP8147395	Fairing decal set	0	year: 1997[V] Color:Silver Grey 1997[Gr.s]
2	AP8147849	Fairing decal set	1	year: 1998[W] Color:Grey/Red/Blu Valentino Rossi 1998[rossi]
2	AP8147850	Fairing decal set	1	year: 1998[W] Color:Black 1996-1998[black]
3	AP8147065	Front fairing decal set	0	year: 1996[T] Color:Mirage Grey 1996[Gr.m]
3	AP8147073	Front fairing decal set	0	year: 1996[T] Color:Black 1996-1998[black]
3	AP8147396	Front fairing decal set	0	year: 1997[V] Color:Black 1996-1998[black]
3	AP8147397	Front fairing decal set	0	year: 1997[V] Color:Silver Grey 1997[Gr.s]

Assembly	FRAME
Code	28.10
Description	Plate set and decal
Revision	1



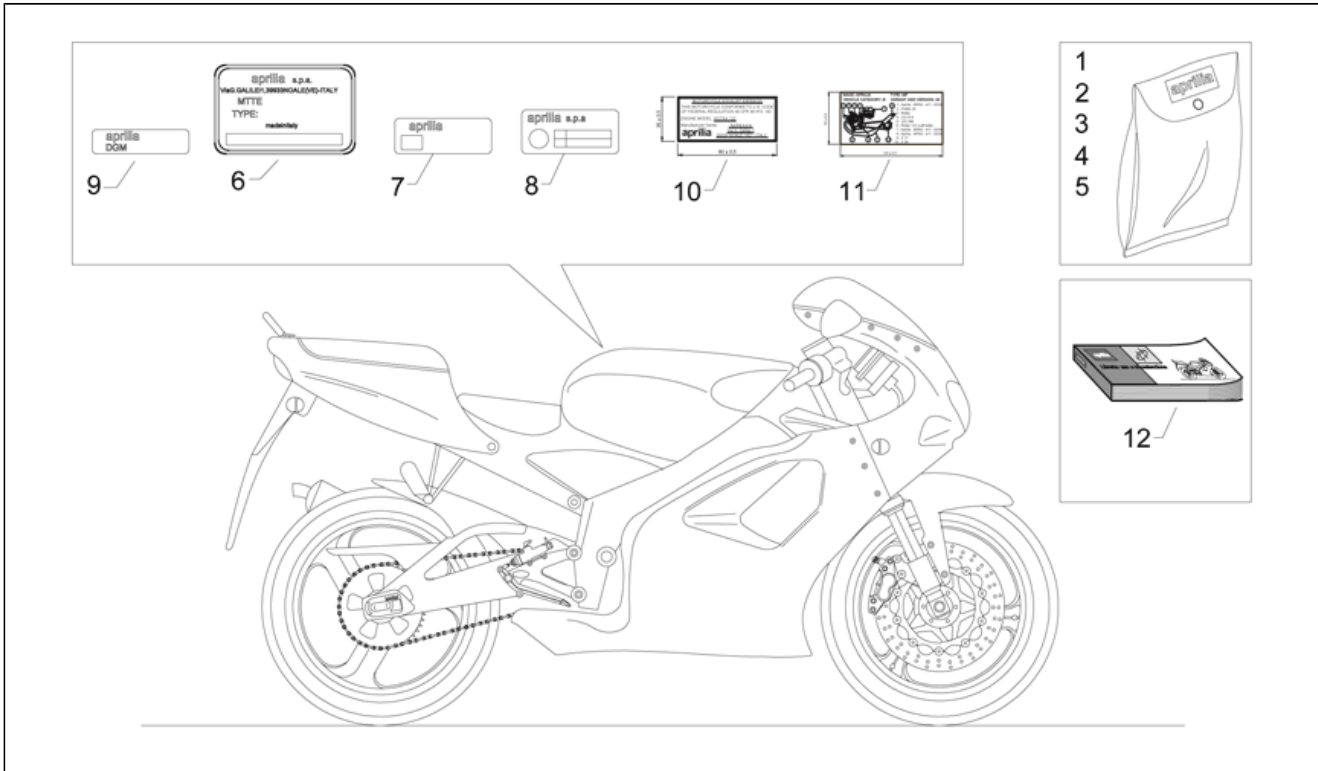
Pos.	Code	Description	Q.ty	Variants
3	AP8147851	Front fairing decal set	1	year: 1998[W] Color:Grey/Red/Blu Valentino Rossi 1998[rossi]
3	AP8147852	Front fairing decal set	1	year: 1998[W] Color:Black 1996-1998[black]
4	AP8147066	Rear fairing decal set	0	year: 1996[T] Color:Mirage Grey 1996[Gr.m]
4	AP8147074	Rear fairing decal set	0	year: 1996[T] Color:Black 1996-1998[black]
4	AP8147398	Rear fairing decal set	0	year: 1997[V] Color:Black 1996-1998[black]
4	AP8147399	Rear fairing decal set	0	year: 1997[V] Color:Silver Grey 1997[Gr.s]
4	AP8147853	Rear fairing decal set	1	year: 1998[W] Color:Grey/Red/Blu Valentino Rossi 1998[rossi]
4	AP8147854	Rear fairing decal set	1	year: 1998[W] Color:Black 1996-1998[black]
5	AP8147067	Technical decal set	0	
6	AP8137877	Constructor dataplate	0	Technical Specifications:11Kw power[11Kw]
6	AP8147124	Constructor dataplate -D-	0	Country: Germany[D] Technical Specifications:80Km/h speed[80]
6	AP8147310	Constructor dataplate -D-	0	year: 1996[T], 1997[V] Technical Specifications:Full Power Version[f.p.]
6	AP8147492	Constructor dataplate	1	year: 1998[W] Technical Specifications:Full Power Version[f.p.]
6	AP8147493	Constructor dataplate	1	Country:Switzerland[CH]
6	AP8147495	Constructor dataplate	1	Country:France[F]
6	AP8147567	Constructor dataplate	1	Country:Singapore[SGP]
7	AP8137735	Name plate ECE	0	Country: Italy[I], Japan[J], Malaysia[MAL] Technical Specifications:Full Power Version[f.p.]
7	AP8137735	Name plate ECE	0	Technical Specifications:Sport Production version[s.p.]
7	AP8147019	Name plate ECE	0	year: 1996[T], 1997[V]

Assembly	FRAME
Code	28.10
Description	Plate set and decal
Revision	1



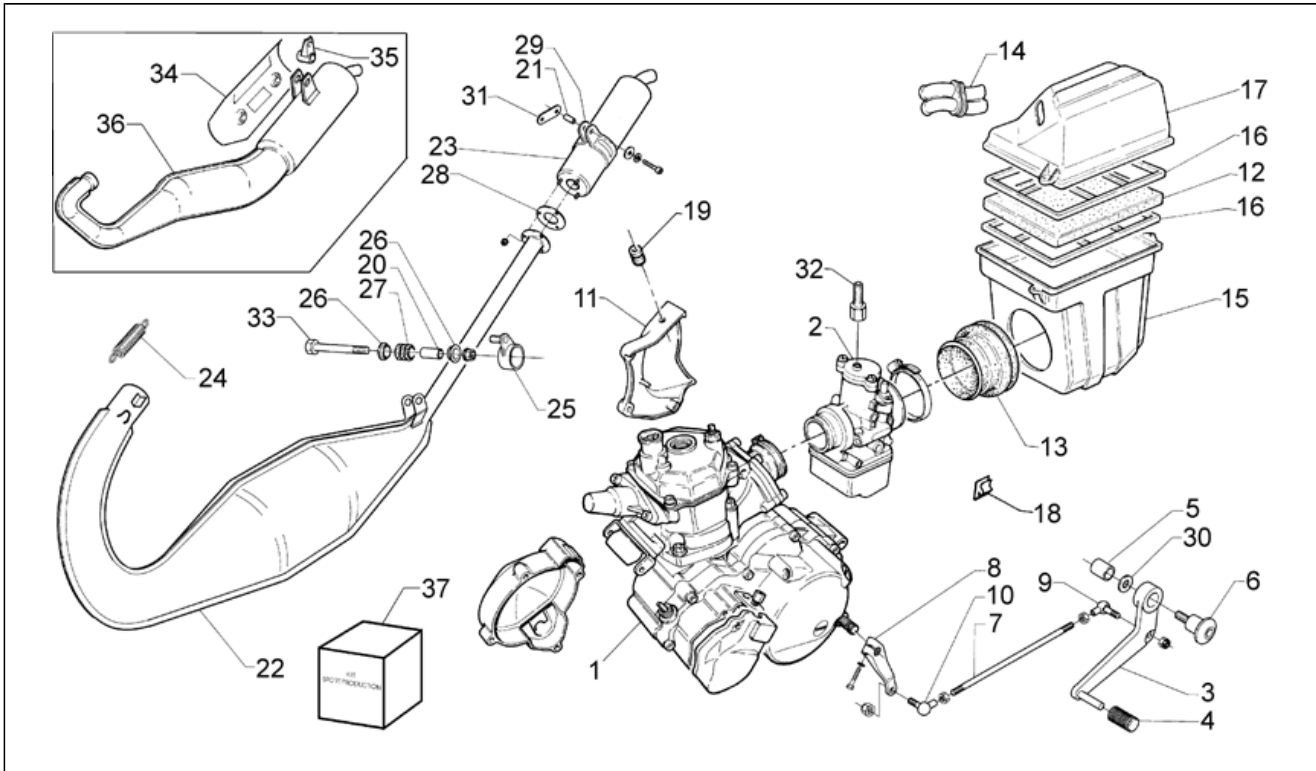
Pos.	Code	Description	Q.ty	Variants
				Technical Specifications: 11Kw power[11Kw], 80Km/h speed[80]
7	AP8147019	Name plate ECE	1	year: 1998[W] Technical Specifications: 11Kw power[11Kw], 80Km/h speed[80]
7	AP8147497	ECE dataplate	1	year: 1998[W] Country: Austria[A], Switzerland[CH], Germany[D], Denmark[DK], Spain[E], Great Britain[UK] Technical Specifications: Full Power Version[f.p.]
8	AP8137626	Name plate CEE	0	year: 1996[T], 1997[V] Country: Italy[I], Japan[J], Malaysia[MAL] Technical Specifications: Full Power Version[f.p.]
8	AP8137626	Name plate CEE	0	Technical Specifications: Sport Production version[s.p.]
8	AP8147020	Name plate CEE	0	year: 1998[W] Technical Specifications: 11Kw power[11Kw], 80Km/h speed[80]
8	AP8147496	Name plate CEE	1	Country: Switzerland[CH]
9	AP8137627	DGM dataplate	0	Country: Italy[I], Malaysia[MAL] Technical Specifications: Full Power Version[f.p.]
9	AP8137627	DGM dataplate	0	Technical Specifications: Sport Production version[s.p.]
9	AP8147114	Name plate DGM	1	Technical Specifications: 11Kw power[11Kw]
10	AP8147566	Engine dataplate -SGP-	1	year: 1998[W] Country: Singapore[SGP]
11	AP8147638	Tamperproof dataplate	1	year: 1998[W] Country: France[F]
12	AP8102682	Operator's handbook -D-F-UK-	1	year: 1998[W] Country: Austria[A], Switzerland[CH], Germany[D], France[F], Japan[J], Malaysia[MAL], Finland[SF], Singapore[SGP], Great Britain[UK]
12	AP8102683	Operator's handbook -E-P-NL-	1	year: 1998[W] Country: Spain[E]
12	AP8102685	Operator's handbook -I-	1	year: 1998[W] Country: Italy[I]

Assembly	FRAME
Code	28.10
Description	Plate set and decal
Revision	1



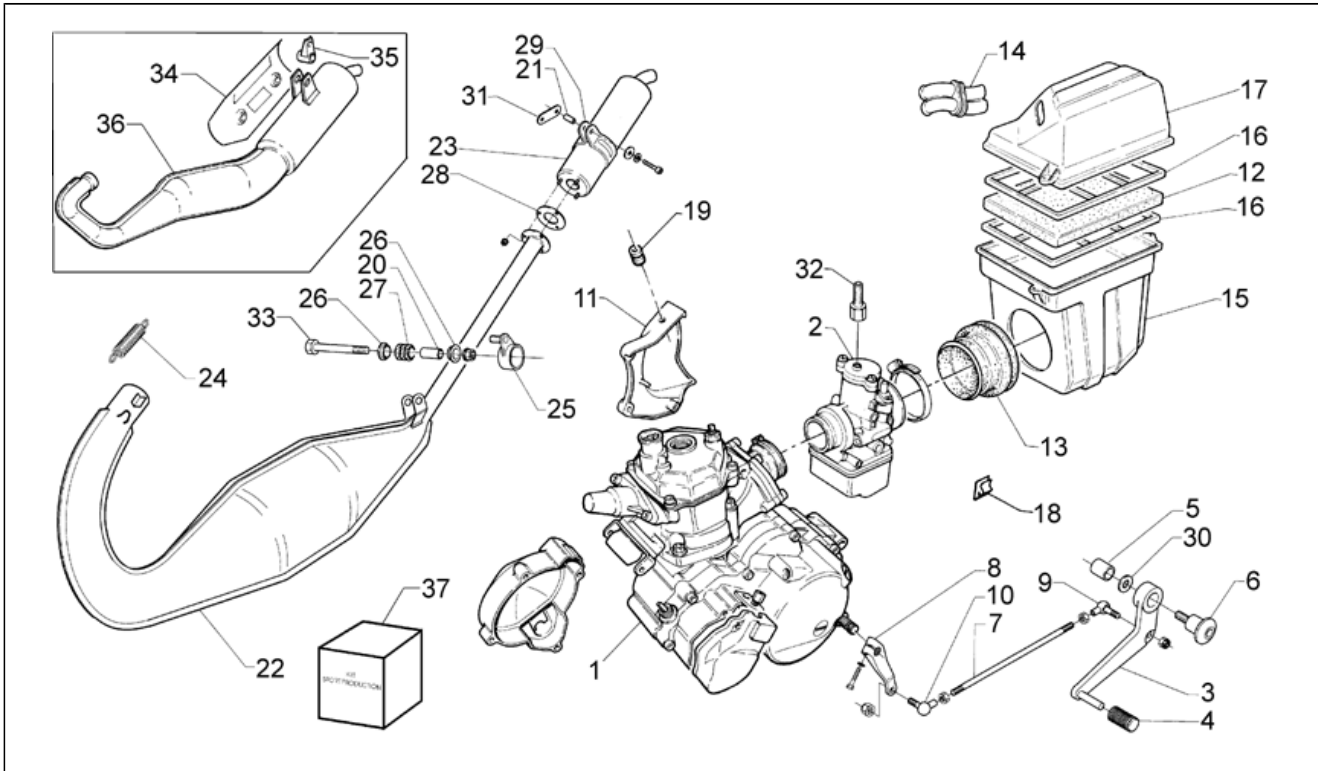
Pos.	Code	Description	Q.ty	Variants
12	AP8102849	Operator's handbook -DK-	1	year: 1998[W] Country:Denmark[DK]

Assembly	ENGINE
Code	29.05
Description	Engine
Revision	1



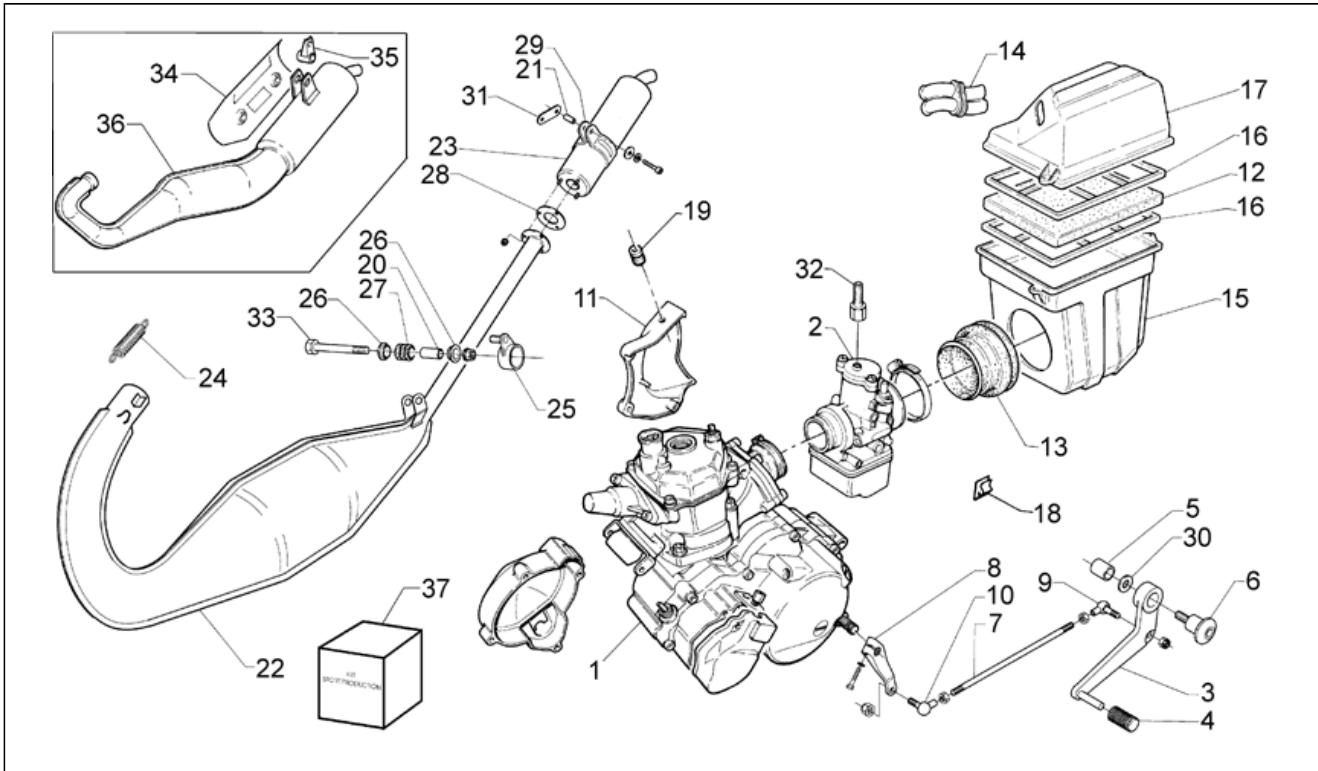
Pos.	Code	Description	Q.ty	Variants
1	AP8106304	Engine 122 STRADA 95	1	Country: France[F], Italy[I], Japan[J], Malaysia[MAL], Finland[SF] Technical Specifications: Full Power Version[f.p.]
1	AP8106349	Engine 122 SPORT PRO 95	1	Technical Specifications: Sport Production version[s.p.]
1	AP8106398	Engine 122 11KW 96	1	Technical Specifications: 11Kw power[11Kw]
1	AP8106436	Engine 122 11kw 80km/h -D-	1	Country: Germany[D] Technical Specifications: 80Km/h speed[80]
1	AP8106548	Engine 122 STRADA -D-	1	Country: Germany[D], Denmark[DK], Spain[E], Great Britain[UK] Technical Specifications: Full Power Version[f.p.]
1	AP8106549	Engine 122 STRADA -CH-	1	Country: Switzerland[CH]
1	AP8106558	Engine 122 STRADA -SGP-	1	Country: Singapore[SGP] Technical Specifications: Full Power Version[f.p.]
2	AP8106194	Carburettor phbH 28-Rd	1	Country: Switzerland[CH]
2	AP8106314	Carburettor VHSB 34 Ld	1	year: 1998[W] Country: France[F], Japan[J], Malaysia[MAL], Finland[SF] Technical Specifications: Full Power Version[f.p.]
2	AP8106314	Carburettor VHSB 34 Ld	1	year: 1996[T], 1997[V] Country: Italy[I], Malaysia[MAL] Technical Specifications: Full Power Version[f.p.]
2	AP8106314	Carburettor VHSB 34 Ld	1	year: 1996[T] Technical Specifications: Sport Production version[s.p.]
2	AP8106397	Carburettor phbH 28-Bd	1	Technical Specifications: 11Kw power[11Kw]
2	AP8106435	Carburettor phbL 24	1	Country: Germany[D] Technical Specifications: 80Km/h speed[80]
2	AP8106550	Carburettor phbh 28-bd	1	year: 1998[W] Country: Germany[D], Denmark[DK], Spain[E], Singapore[SGP], Great Britain[UK] Technical Specifications: Full Power Version[f.p.]
3	AP8106013	Gear lever	1	
4	AP8220189	Rubber spacer	1	
5	AP8121147	Spacer *	1	

Assembly	ENGINE
Code	29.05
Description	Engine
Revision	1



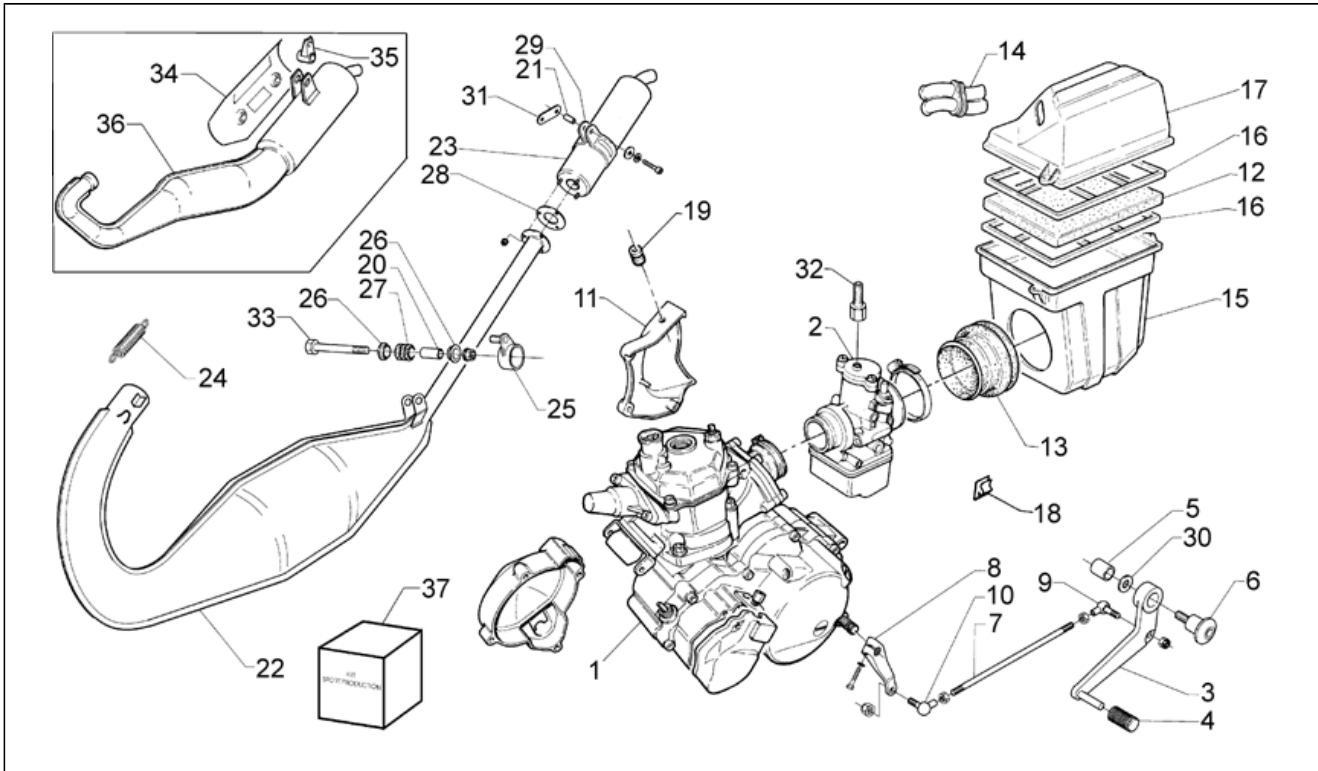
Pos.	Code	Description	Q.ty	Variants
6	AP8121284	Brake lever pin	1	
7	AP8121163	Gearbox linkage rod	1	
8	AP8135726	Gearbox connecting rod	1	
9	AP8210007	RH ball joint M6	1	
10	AP8110053	Left ball joint M6	1	
11	AP8106315	Sprocket cover, grey	1	
12	AP8102080	Air filter	1	
13	AP8120783	Intake hose	1	Technical Specifications: Open hole[FC]
13	AP8120810	Intake hose	1	Technical Specifications: Closed hole[FA]
14	AP8120748	Intake hose	1	
15	AP8131626	Filter housing base	1	
16	AP8131121	Filter guard	2	
17	AP8131470	Filter housing cover	1	Country: Switzerland[CH]
17	AP8138686	Filter housing cover	1	Country: Austria[A], Germany[D], Denmark[DK], Spain[E], France[F], Greece[GR], Italy[I], Japan[J], Malaysia[MAL], Portugal[P], Finland[SF], Singapore[SGP], Great Britain[UK]
18	AP8120708	Cable-guide	1	
19	AP8120405	Rubber spacer *	1	
20	AP8121058	Spacer *	1	
21	AP8120910	Silent-block	1	
22	AP8119375	Exhaust pipe	1	Technical Specifications: Sport Production version[s.p.]
22	AP8119375	Exhaust pipe	1	Country: France[F], Italy[I], Japan[J], Malaysia[MAL], Finland[SF] Technical Specifications: Full Power Version[f.p.]
22	AP8119417	Exhaust pipe	1	Country: Germany[D], Denmark[DK], Spain[E], France[F], Greece[GR], Italy[I], Portugal[P], Poland[PL], Finland[SF] Technical Specifications: 11Kw power[11Kw]
22	AP8119434	Exhaust pipe 80KM/H-D-	1	Country: Germany[D] Technical Specifications: 80Km/h speed[80]

Assembly	ENGINE
Code	29.05
Description	Engine
Revision	1



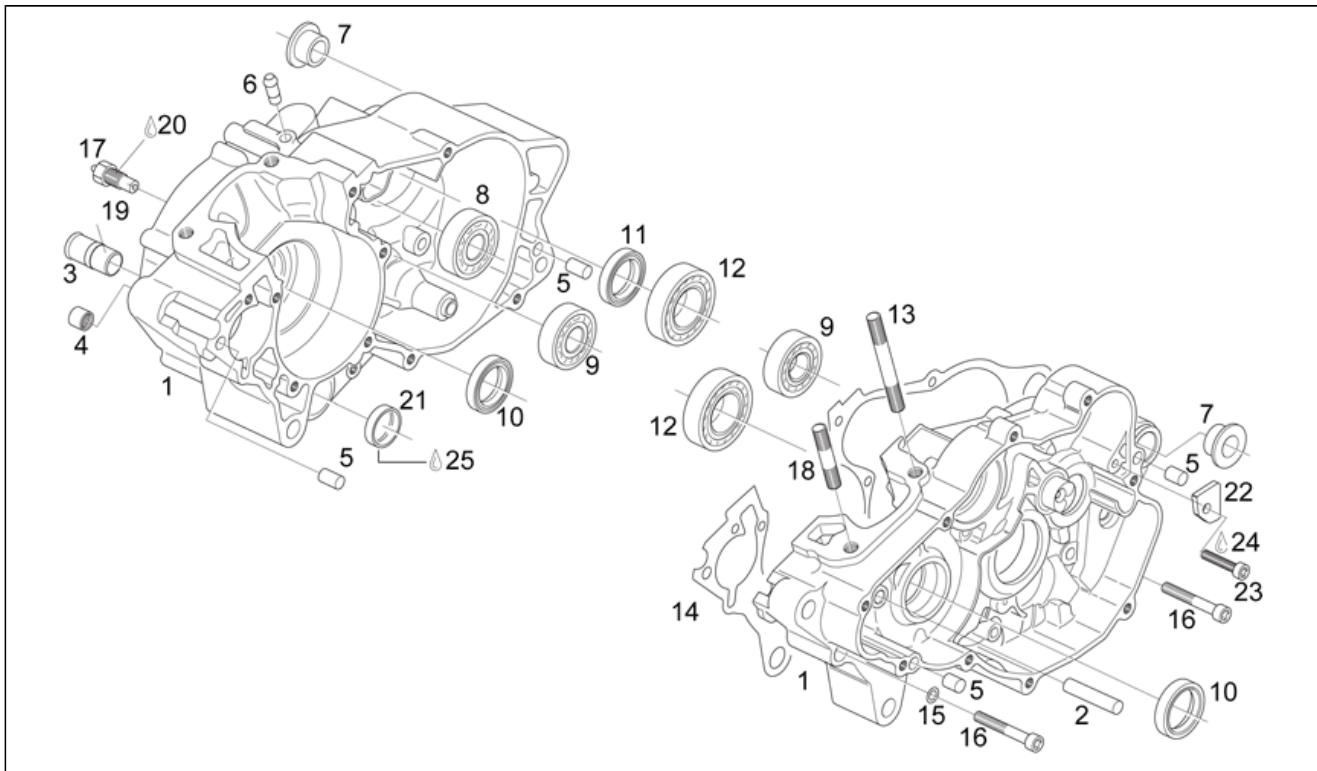
Pos.	Code	Description	Q.ty	Variants
22	AP8119467	Exhaust pipe -D-	1	Country: Germany[D], Denmark[DK], Spain[E], Great Britain[UK] Technical Specifications: Full Power Version[f.p.]
22	AP8119468	Exhaust pipe -A-	1	Country: Austria[A] Technical Specifications: 11Kw power[11Kw]
23	AP8119383	Silencer	1	Technical Specifications: Sport Production version[s.p.]
23	AP8119383	Silencer	1	Country: France[F], Italy[I], Japan[J], Malaysia[MAL], Finland[SF] Technical Specifications: Full Power Version[f.p.]
23	AP8119418	Silencer	1	Technical Specifications: 11Kw power[11Kw]
23	AP8119418	Silencer	1	Country: Germany[D], Denmark[DK], Spain[E], Greece[GR], Italy[I], Portugal[P] Technical Specifications: 80Km/h speed[80]
24	AP8121091	Coil pull spring *	2	
25	AP8135289	Exhaust pipe support	1	
26	AP8101284	Washer 22x30*	2	
27	AP8101285	Silent-block *	1	
28	AP8120812	Silencer gasket	1	
29	AP8102432	Silencer clip	1	
30	AP8121697	Belleville spring	1	
31	AP8134262	Silencer plate	1	
32	AP8106316	Carburettor adjuster	1	
33	AP8150277	Hex socket screw M8x50*	1	Country: Switzerland[CH], Singapore[SGP]
34	AP8232524	Exhaust pipe prot., chr.black	1	Country: Switzerland[CH], Singapore[SGP]
35	AP8135492	Exhaust pipe support	1	Country: Switzerland[CH], Singapore[SGP]
36	AP8119469	Cat.exhaust pipe -CH-	1	Country: Switzerland[CH], Singapore[SGP]
37	AP8106346	Intake manifold	1	Technical Specifications: Sport Production version[s.p.]
37	AP8106520	Carburettor phbH 28-Bd	1	Technical Specifications: Sport Production version[s.p.]
37	AP8119387	Exhaust pipe sport-pro	1	Technical Specifications: Sport Production version[s.p.]
37	AP8119402	Exhaust flange cpl.	1	Technical Specifications: Sport Production version[s.p.]

Assembly	ENGINE
Code	29.05
Description	Engine
Revision	1



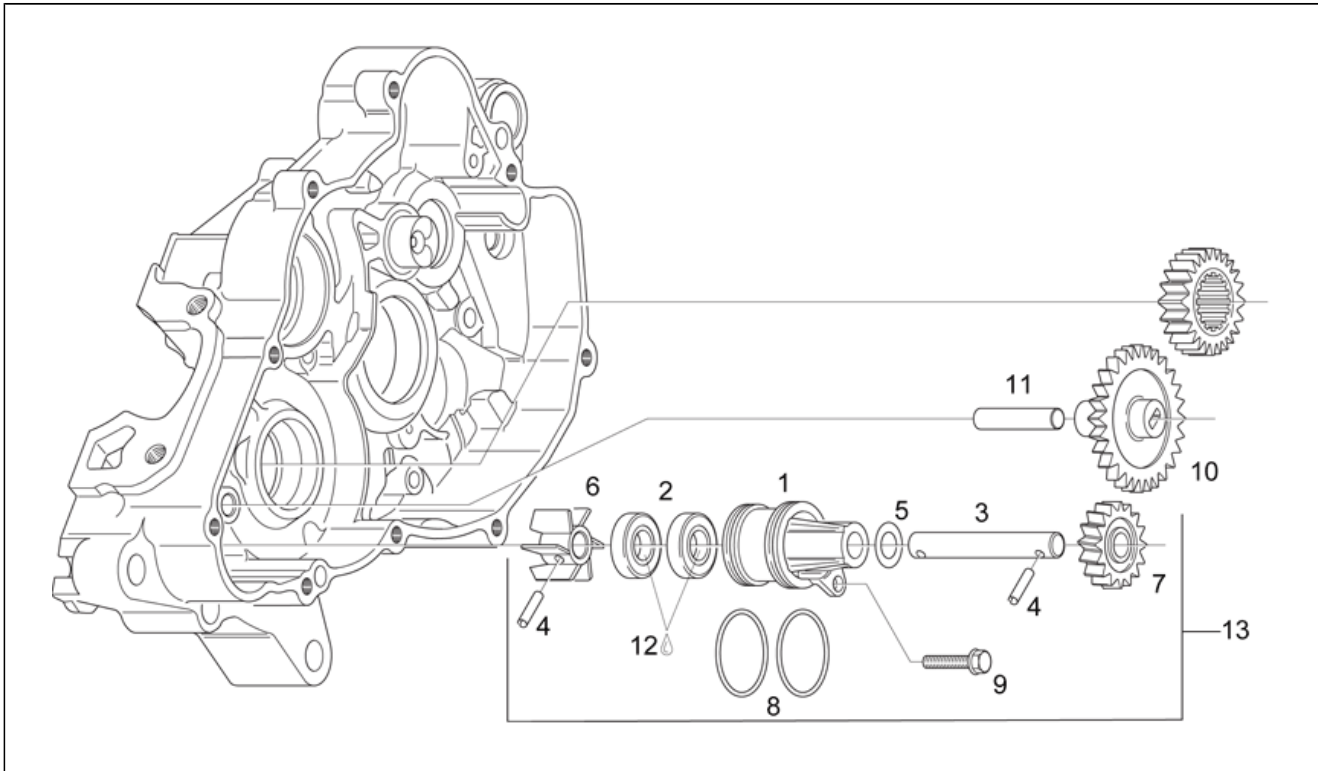
Pos.	Code	Description	Q.ty	Variants
37	AP8120422	Black hose 98x2*	1	Technical Specifications: Sport Production version[s.p.]
37	AP8120852	Carburettor protection	1	Technical Specifications: Sport Production version[s.p.]
37	AP8121825	Clearance washer	1	Technical Specifications: Sport Production version[s.p.]
37	AP8121890	Rear stand bush	1	Technical Specifications: Sport Production version[s.p.]
37	AP8150337	Screw M6x55	1	Technical Specifications: Sport Production version[s.p.]
37	AP8152299	Self-locking nut M6*	1	Technical Specifications: Sport Production version[s.p.]

Assembly	ENGINE
Code	29.11
Description	Crankcase
Revision	1



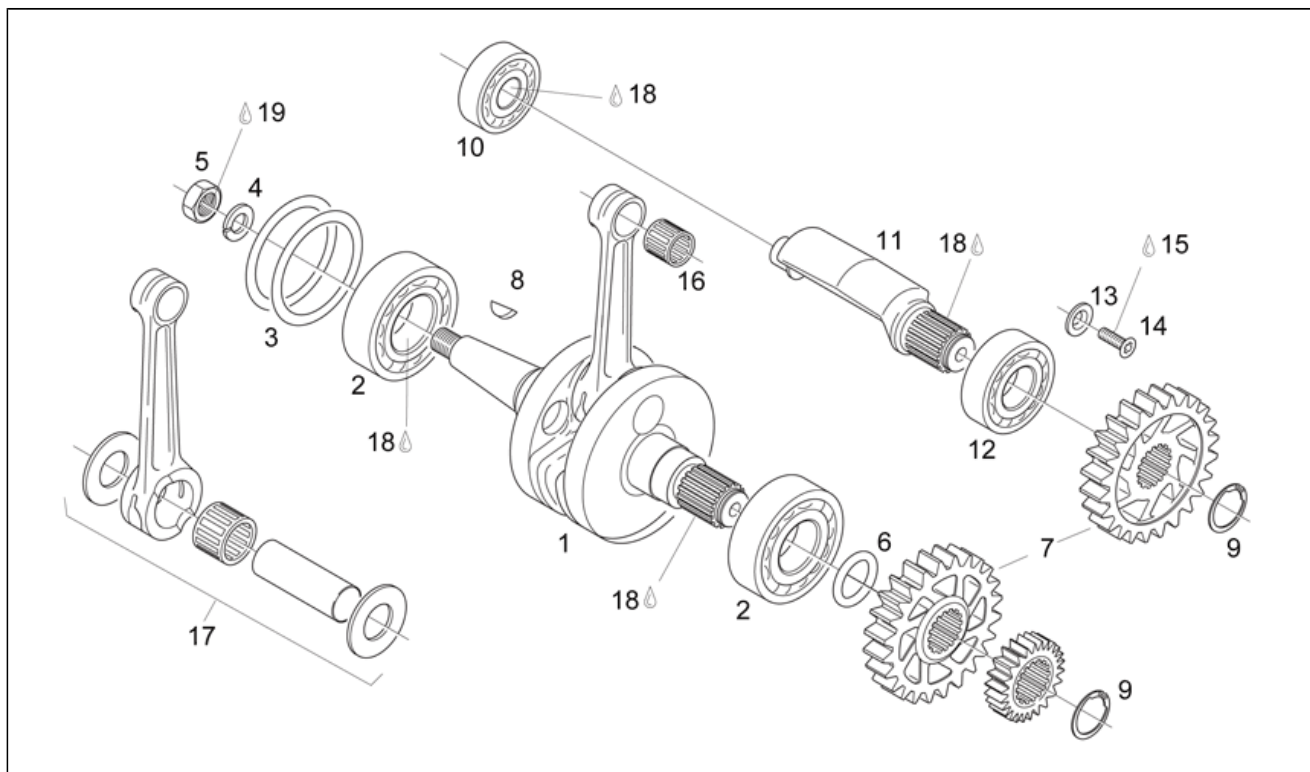
Pos.	Code	Description	Q.ty	Variants
1	AP0295385	Crankcase assy	1	year:1996[T]
1	AP0295388	Crankcase assy	1	year:1997[V], 1998[W]
2	AP0229380	Pin 6x40	1	
3	AP0224260	Pipe	1	
4	AP0232275	Roller cage 8x12x8	1	
5	AP0632010	Pin M8x12	4	
6	AP0924150	Brass union	1	
7	AP0247555	Bush	2	
8	AP0232291	Bearing 6302	1	
9	AP0932032	Bearing 6203	2	
10	AP0230425	Oil seal 28x38x7	2	
11	AP0930675	Oil seal 25x38x7	1	
12	AP0232765	Bearing 6205	2	
13	AP0940786	Stud bolt M8x57/20	2	
14	AP0650130	Gasket 6x10	1	
15	AP0230415	Gasket ring 6x10	1	
16	AP0241821	Hex socket screw M6x45	10	
17	AP0640190	Sensor M10	1	
18	AP0241381	Stud bolt M8x28x20	2	
19	AP0899788	Loctite (green) 648 5gr.	1	
20	AP0297386	Silastic 732 Rtv 100 gr.	1	
21	AP0227325	Plug	1	Technical Specifications:Sport Production version[s.p.]
22	AP0228250	Kikst. coupling stop	1	Technical Specifications:Sport Production version[s.p.]
23	AP0840880	Hex socket screw M6x30	1	Technical Specifications:Sport Production version[s.p.]
24	AP0899785	Loctite (violet) 221 10cc.	1	Technical Specifications:Sport Production version[s.p.]
25	AP0899788	Loctite (green) 648 5gr.	1	Technical Specifications:Sport Production version[s.p.]

Assembly	ENGINE
Code	29.12
Description	Water pump assy
Revision	1



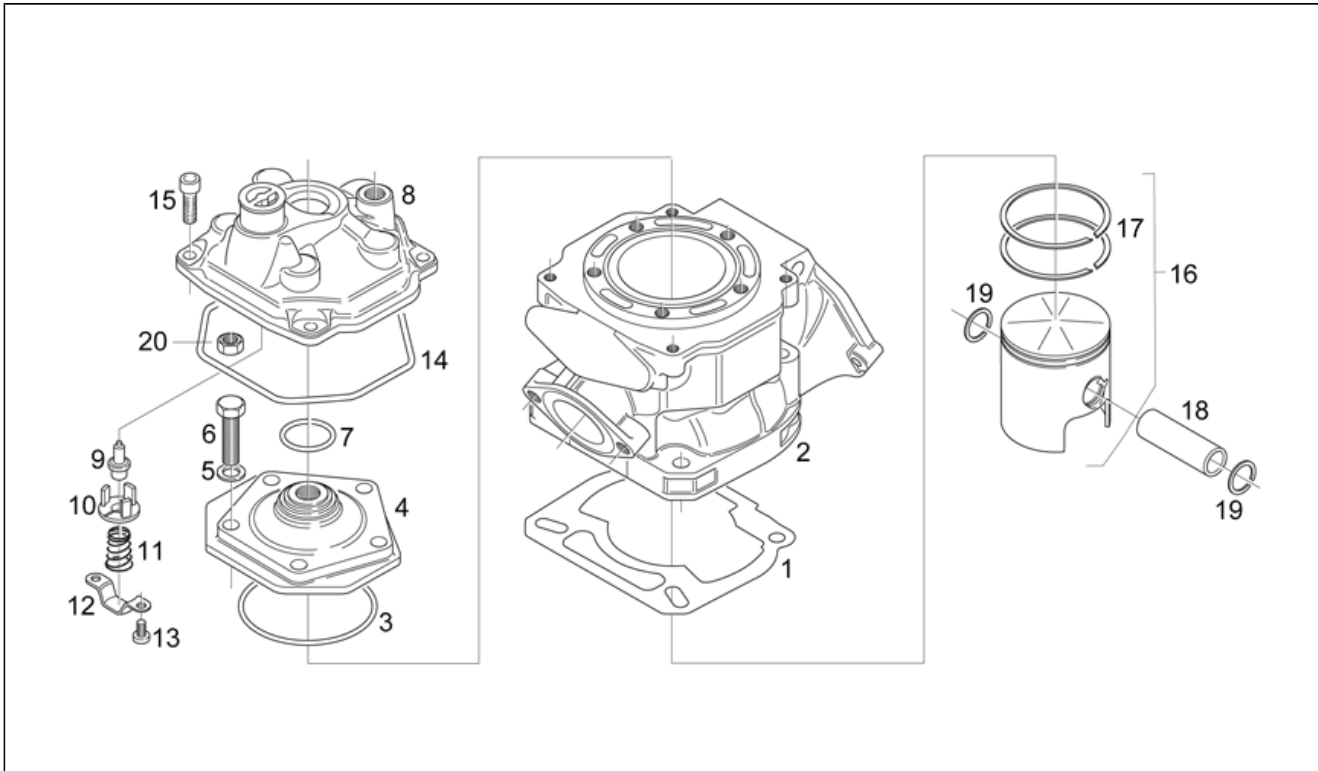
Pos.	Code	Description	Q.ty	Variants
1	AP0222182	Water pump casing	1	
2	AP0230195	Oil seal 10x26x7	2	
3	AP0237912	Water pump shaft assy.	1	
4	AP0229280	Pin 4x16	2	
5	AP0827590	Thrust washer 10,1/17/1	1	
6	AP0222195	Impeller	1	
7	AP0234415	Water pump pinion Z=16	1	
8	AP0430060	O-ring 26,7x1,8	2	
9	AP0241270	Screw w/ flange M5x25	1	
10	AP0634035	Idle gear Z=28/13	1	
11	AP0229380	Pin 6x40	1	
12	AP0897161	Molykote 111 100gr.	1	
13	AP0293417	Water pump assy	1	

Assembly	ENGINE
Code	29.13
Description	Crankshaft - Balance shaft
Revision	1



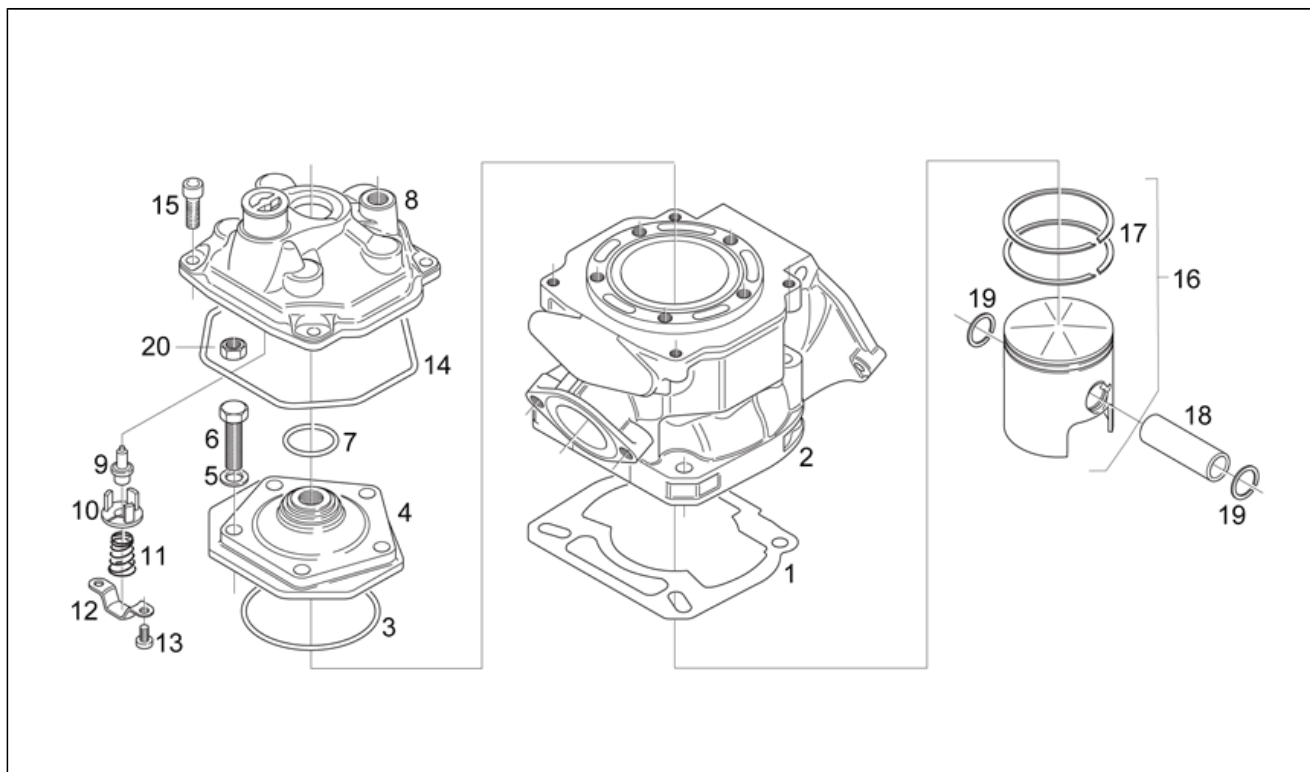
Pos.	Code	Description	Q.ty	Variants
1	AP0295373	Crankshaft cpl. 54,5mm	1	
2	AP0932588	Bearing 6206	2	
3	AP0427590	Spacer D50x62x0,1	1	
3	AP0427591	Spacer D50x62x0,3	1	
4	AP0945754	Break washer A12	1	
5	AP0242515	Nut M12x1	1	
6	AP0430460	O-ring 18x3,5	1	
7	AP0234431	Balance shaft gear Z=27	2	
8	AP0246570	Transmission key 4x5	2	
9	AP0245650	Circlip AV 20	2	
10	AP0232291	Bearing 6302	1	
11	AP0237945	Balance shaft	1	
12	AP0232340	Ball bearing 6005	1	
13	AP0227280	Thrust washer	1	
14	AP0940315	Screw M5x12	1	
15	AP0899785	Loctite (violet) 221 10cc.	1	
16	AP0932028	Roller cage 15x19x20	1	
17	AP0295374	Connecting rod cpl.	1	
18	AP0297431	Loctite Anti Seize 10 GR.	1	
19	AP0899788	Loctite (green) 648 5gr.	1	

Assembly	ENGINE
Code	29.14
Description	Cylinder - Head - Piston
Revision	1



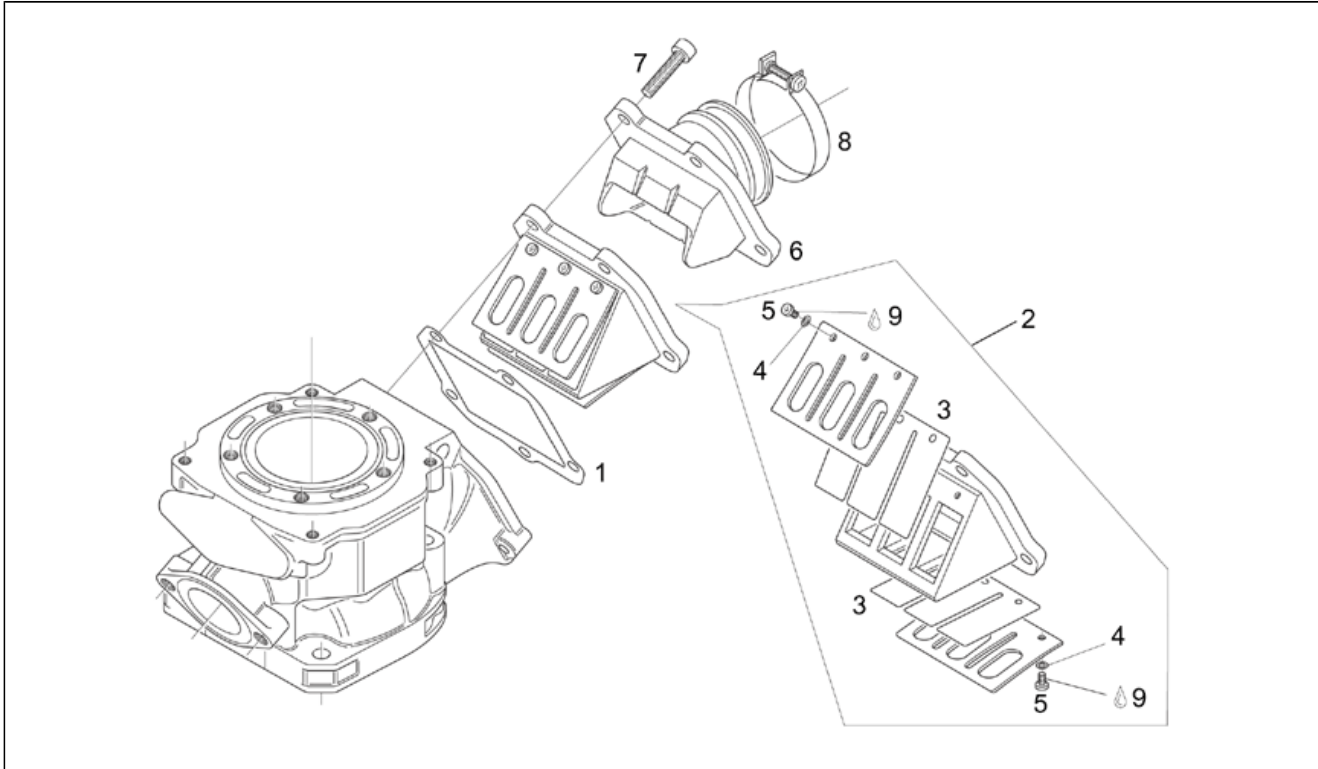
Pos.	Code	Description	Q.ty	Variants
1	AP0650095	Gasket 0,3	1	
1	AP0650096	Gasket 0,5	1	
1	AP0650097	Gasket 0,8	1	
2	AP0223618	Cylinder 9 holes	1	Technical Specifications: 11Kw power[11Kw], 80Km/h speed[80], Full Power Version[f.p.]
2	AP0223990	Cylinder 7 holes	1	Country: Switzerland[CH] Technical Specifications: Full Power Version[f.p.]
2	AP8106365	Worked cylinder	1	Technical Specifications: Sport Production version[s.p.]
3	AP0250160	O-ring 64x2	1	
4	AP0223384	Cylinder head	1	year: 1997[V], 1998[W]
4	AP0223389	Cylinder head	1	year: 1996[T]
5	AP0945752	Break washer A8	5	
6	AP0940065	Stud bolt	5	Technical Specifications: Sport Production version[s.p.]
6	AP0940481	Round screw M8x30	5	Technical Specifications: 11Kw power[11Kw], 80Km/h speed[80], Full Power Version[f.p.]
7	AP0430782	O-ring 23,3x2,4	1	
8	AP0223398	Cylinder head cover	1	year: 1996[T]
8	AP0613100	Cylinder head cover	1	year: 1997[V], 1998[W]
9	AP0222120	Thermostat	1	Technical Specifications: Sport Production version[s.p.]
9	AP0222122	Thermostat 70°	1	Technical Specifications: 11Kw power[11Kw], 80Km/h speed[80], Full Power Version[f.p.]
10	AP0222175	Thermostat holder	1	
11	AP0239950	Spring	1	
12	AP0222202	Thermostat bow	1	
13	AP0240195	Special cap screw M4x8	2	
14	AP0250280	O-ring 105x2,5	1	
15	AP0241930	Hex socket screw M6x20	4	
16	AP0294747	Piston assy 53,98 mm	1	Technical Specifications: 11Kw power[11Kw], 80Km/h speed[80], Full Power Version[f.p.]

Assembly	ENGINE
Code	29.14
Description	Cylinder - Head - Piston
Revision	1



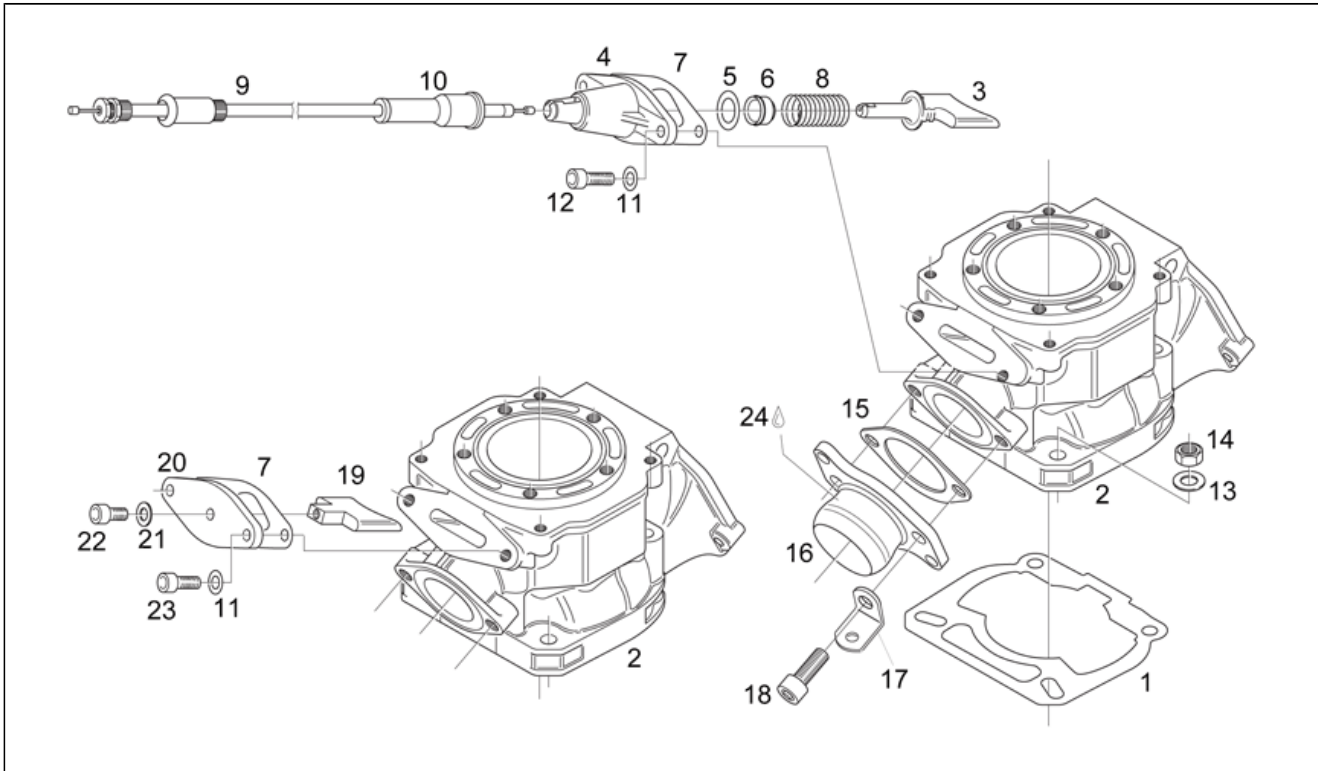
Pos.	Code	Description	Q.ty	Variants
16	AP0294748	Piston assy 53,99 mm	1	Technical Specifications: 11Kw power[11Kw], 80Km/h speed[80], Full Power Version[f.p.]
16	AP0294755	Piston assy 54,00 mm	1	Technical Specifications: 11Kw power[11Kw], 80Km/h speed[80], Full Power Version[f.p.]
16	AP8106431	Piston assy 54,00	1	Technical Specifications: Sport Production version[s.p.]
16	AP8106432	Piston 53,99	1	Technical Specifications: Sport Production version[s.p.]
16	AP8106433	Piston 53,98	1	Technical Specifications: Sport Production version[s.p.]
17	AP0210795	Ring 1 mm	2	Technical Specifications: Sport Production version[s.p.]
17	AP0215670	Ring d54	2	Technical Specifications: 11Kw power[11Kw], 80Km/h speed[80], Full Power Version[f.p.]
18	AP0216135	Piston pin	1	Technical Specifications: Sport Production version[s.p.]
18	AP0216139	Piston pin	1	Technical Specifications: 11Kw power[11Kw], 80Km/h speed[80], Full Power Version[f.p.]
19	AP0945635	Stop ring D15	2	
20	AP0242206	Nut M8	5	Technical Specifications: Sport Production version[s.p.]

Assembly	ENGINE
Code	29.15
Description	Carburettor flange
Revision	1



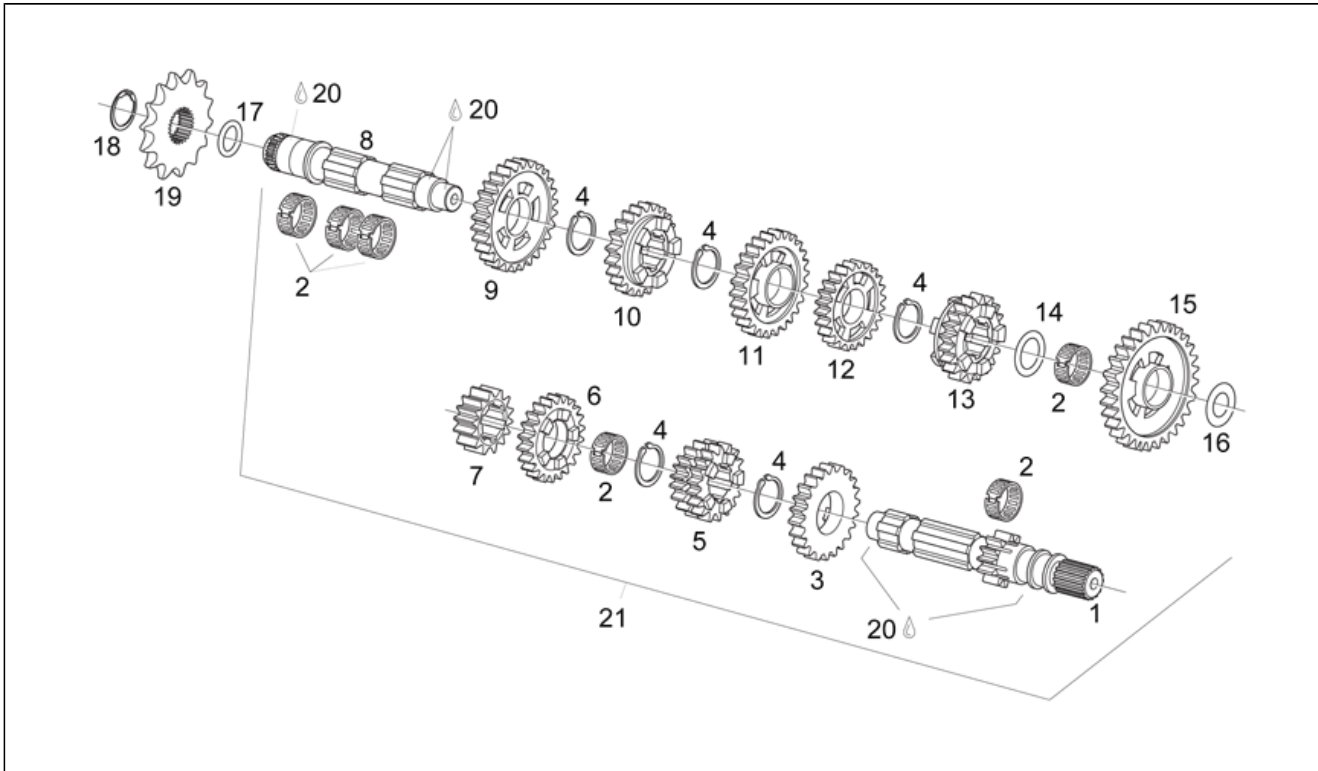
Pos.	Code	Description	Q.ty	Variants
1	AP0250521	Gasket	1	
2	AP0224387	Reed valve assy	1	Technical Specifications: 11Kw power[11Kw], 80Km/h speed[80], Full Power Version[f.p.]
2	AP0224388	Reed valve assy	1	Technical Specifications: Sport Production version[s.p.]
2	AP8106266	Blade C40	1	Technical Specifications: Sport Production version[s.p.]
3	AP0224430	Reed valve assy	2	
4	AP0945758	Break washer A4	6	
5	AP0940235	Round screw M4x8	6	
6	AP0267915	Carburettor flange	1	Technical Specifications: Full Power Version[f.p.]
6	AP0267917	Carburettor flange 28 MM	1	Technical Specifications: 80Km/h speed[80]
7	AP0840861	Hex socket screw M6x25	5	
8	AP0251850	Hose clamp 51	1	
9	AP0899788	Loctite (green) 648 5gr.	1	

Assembly	ENGINE
Code	29.16
Description	Cylinder - Exhaust valve
Revision	1



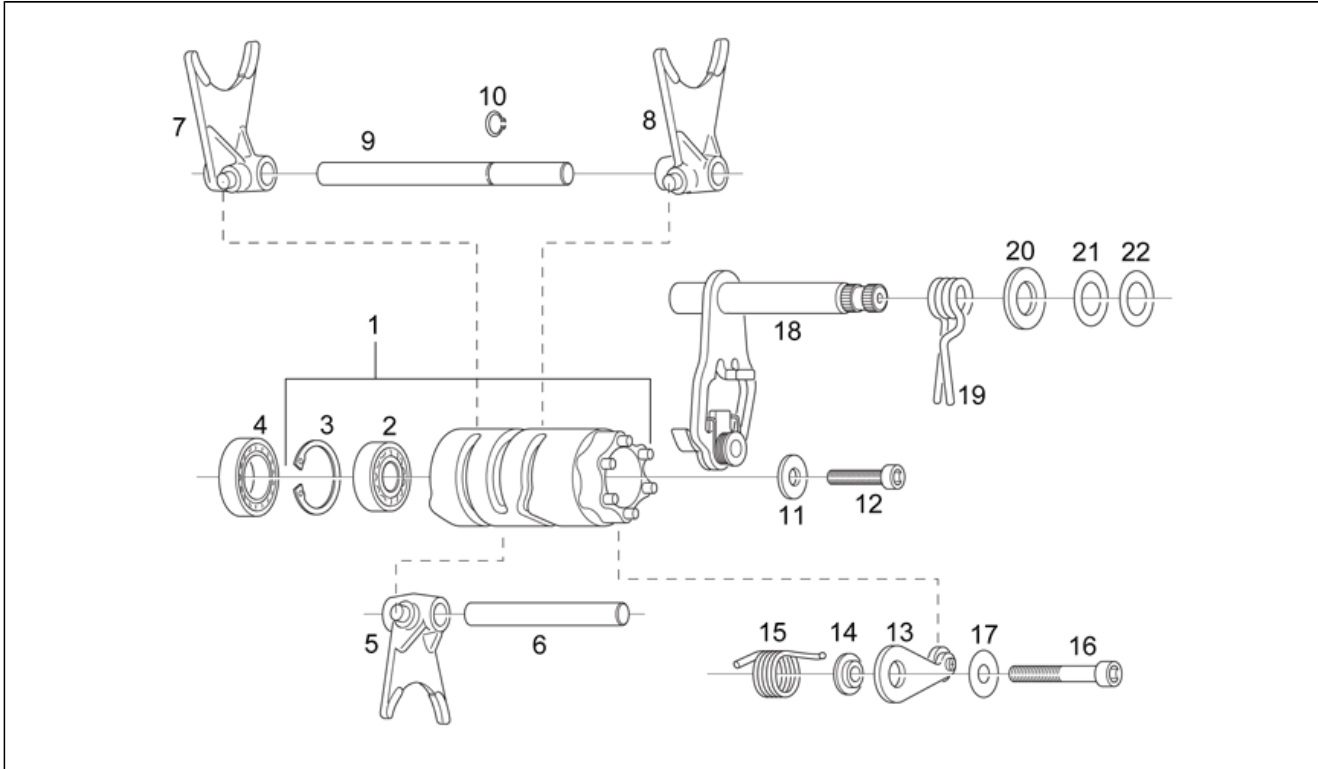
Pos.	Code	Description	Q.ty	Variants
1	AP0650095	Gasket 0,3	1	
1	AP0650096	Gasket 0,5	1	
1	AP0650097	Gasket 0,8	1	
2	AP0223618	Cylinder 9 holes	1	
3	AP0253722	Exhaust valve	1	Technical Specifications: Full Power Version[f.p.]
4	AP0253465	Valve body	1	Technical Specifications: Full Power Version[f.p.]
5	AP0230880	O-ring 13,3x2,4	1	Technical Specifications: Full Power Version[f.p.]
6	AP0230810	Valve stem seal	1	Technical Specifications: Full Power Version[f.p.]
7	AP0250975	Gasket 0,8	1	
8	AP0239052	Spring	1	Technical Specifications: Full Power Version[f.p.]
9	AP0297745	Elect.rave valve cable	1	Technical Specifications: Full Power Version[f.p.]
10	AP0860460	Rubber cap	1	Technical Specifications: Full Power Version[f.p.]
11	AP0845020	Spring washer B6	2	
12	AP0241930	Hex socket screw M6x20	2	Technical Specifications: Full Power Version[f.p.]
13	AP0250311	Washer 8,4	4	
14	AP0942671	Nut M8	4	
15	AP0250271	Gasket	1	
16	AP0273970	Exhaust flange cpl.	1	
17	AP0224067	Butt strap	2	
18	AP0240081	Hex socket screw M8x25	2	
19	AP0253373	Exhaust valve	1	Technical Specifications: 80Km/h speed[80]
20	AP0253500	Fixing plate	1	Technical Specifications: 80Km/h speed[80]
21	AP0827961	Washer 6,4	1	Technical Specifications: 80Km/h speed[80]
22	AP0840861	Hex socket screw M6x25	1	Technical Specifications: 80Km/h speed[80]
23	AP0241236	Hex socket screw M6x16	2	Technical Specifications: 80Km/h speed[80]
24	AP0297431	Loctite Anti Seize 10 GR.	1	

Assembly	ENGINE
Code	29.17
Description	Transmission 6 speed
Revision	1



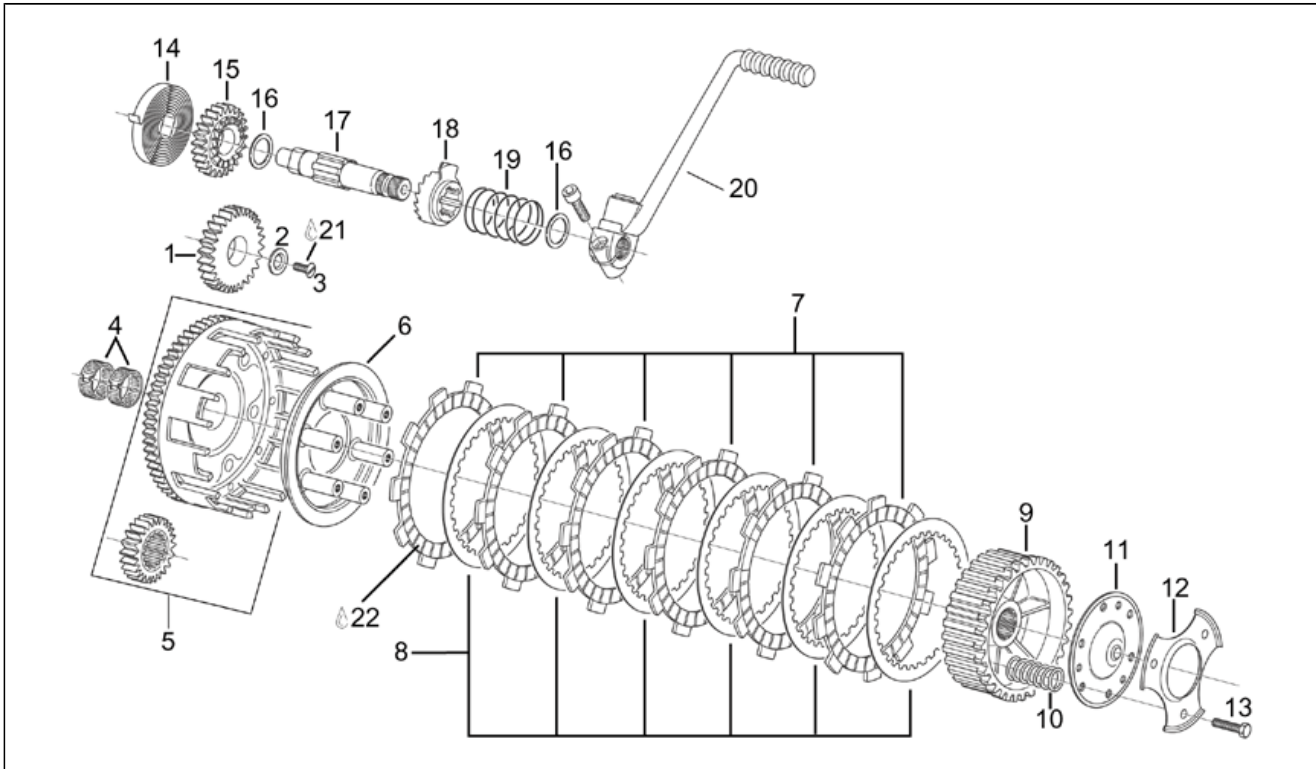
Pos.	Code	Description	Q.ty	Variants
1	AP0220300	Primary gear shaft Z=10	1	
2	AP0232742	Roller cage 21x25x10	6	
3	AP0634125	Gear Z=22	1	
4	AP0245730	Circlip 25x2	5	
5	AP0634095	Gear Z=17/19	1	
6	AP0634105	Gear Z=21	1	
7	AP0634085	2nd pinion gear Z=14	1	
8	AP0220280	Driven shaft	1	
9	AP0234968	Gear Z=29	1	
10	AP0634115	Gear Z=24	1	
11	AP0234984	Gear Z=27	1	
12	AP0234858	Gear Z=25	1	
13	AP0634135	Gear Z=23	1	
14	AP0244100	Thrust washer 21,2/30/1	1	
15	AP0634065	Gear Z=30	1	
16	AP0227430	Thrust washer 17,2/30/1	1	
17	AP0430460	O-ring 18x3,5	1	
18	AP0245650	Circlip AV 20	1	
19	AP0236061	Pinion Z=14	1	
19	AP0236062	Pinion Z=15	1	
19	AP0236063	Pinion Z=16	1	
19	AP0236064	Pinion Z=17	1	
20	AP0297431	Loctite Anti Seize 10 GR.	1	
21	AP0281210	Gear box assy 6 v.ta'	1	

Assembly	ENGINE
Code	29.18
Description	Grip shift
Revision	1



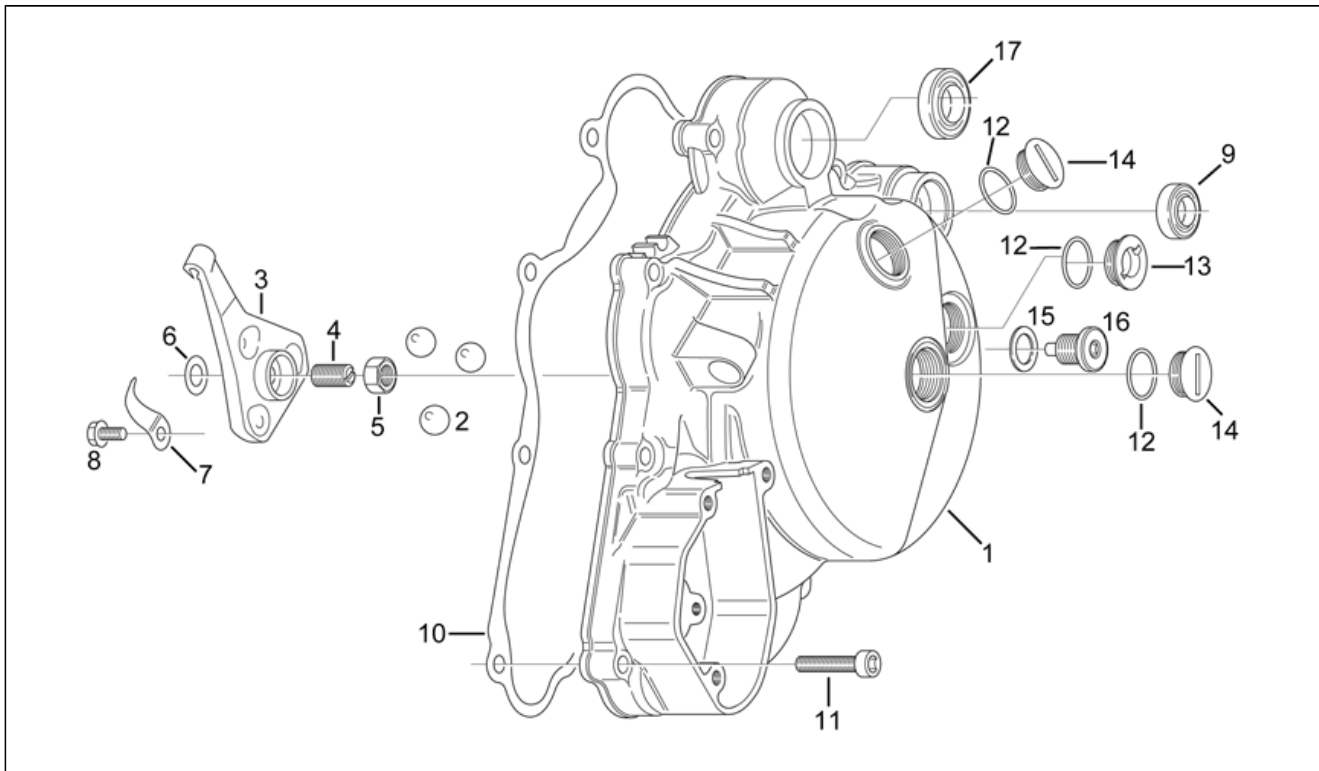
Pos.	Code	Description	Q.ty	Variants
1	AP0258305	Shift cam	1	
2	AP0232402	Bearing 6001	1	
3	AP0245790	Circlip	1	
4	AP0632060	Ball bearing 61804	1	
5	AP0258135	Fork 5-6 V.ta'	1	
6	AP0229390	Pin M6x70	1	
7	AP0258123	Fork 2-3 speed	1	
8	AP0258113	Fork 1-4 v.ta'	1	
9	AP0258200	Fork shaft	1	
10	AP0245570	Circlip 8x0,8	1	
11	AP0827305	Washer 6,2x18x2	1	
12	AP0840880	Hex socket screw M6x30	1	
13	AP0248325	Index assy. lever	1	
14	AP0227710	Bush	1	
15	AP0239241	Index spring	1	
16	AP0241821	Hex socket screw M6x45	1	
17	AP0827307	Washer 6,2x18x0,5	1	
18	AP0220295	Gearshift shaft+pawl assy	1	
19	AP0239252	Spring	1	
20	AP0427690	Washer 13	1	
21	AP0827261	Thrust washer 12,5/21,5	1	
22	AP0227450	Thrust washer 12,5/21,5/0,5	1	

Assembly	ENGINE
Code	29.19
Description	Clutch
Revision	1



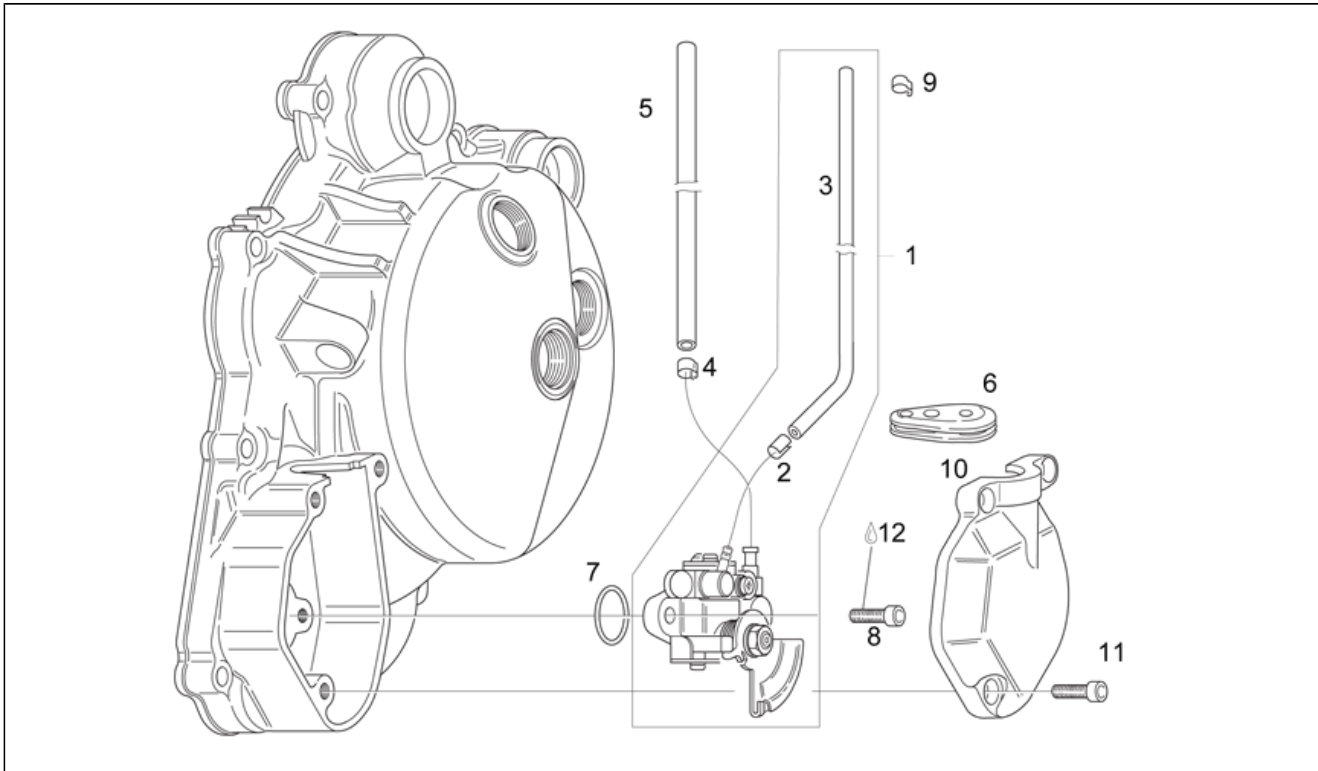
Pos.	Code	Description	Q.ty	Variants
1	AP0634175	Idle gear Z=26	1	Technical Specifications: Sport Production version[s.p.]
2	AP0227280	Thrust washer	1	Technical Specifications: Sport Production version[s.p.]
3	AP0940315	Screw M5x12	1	Technical Specifications: Sport Production version[s.p.]
4	AP0232742	Roller cage 21x25x10	2	
5	AP0295400	Primary transm.	1	Technical Specifications: Sport Production version[s.p.]
5	AP0295406	Primary transm.	1	Technical Specifications: 11Kw power[11Kw], 80Km/h speed[80], Full Power Version[f.p.]
6	AP0259570	Springholder plate	1	
7	AP0259053	Lined clutch disc 3,1 MM	6	
8	AP0259557	Clutch disc 1 MM	6	
9	AP0259470	Clutch hub	1	
10	AP0239625	Clutch spring 34,1 MM	6	
11	AP0259165	Pressure plate cpl.	1	
12	AP0259420	Springs plate guide	1	
13	AP0241770	Hex screw M5x25	6	
14	AP0239265	Kickstarter spring	1	Technical Specifications: Sport Production version[s.p.]
15	AP0634055	Kick-start assy.gear Z=23	1	Technical Specifications: Sport Production version[s.p.]
16	AP0244585	Washer 17,5/24/1	2	Technical Specifications: Sport Production version[s.p.]
17	AP0220134	Starting shaft	1	Technical Specifications: Sport Production version[s.p.]
18	AP0228220	Kick-start coupling	1	Technical Specifications: Sport Production version[s.p.]
19	AP0239270	Spring 42	1	Technical Specifications: Sport Production version[s.p.]
20	AP0248365	Kick-start lever	1	Technical Specifications: Sport Production version[s.p.]
21	AP0899785	Loctite (violet) 221 10cc.	1	Technical Specifications: Sport Production version[s.p.]
22	0000000	Tyre 110/90"	1	

Assembly	ENGINE
Code	29.20
Description	Clutch cover
Revision	1



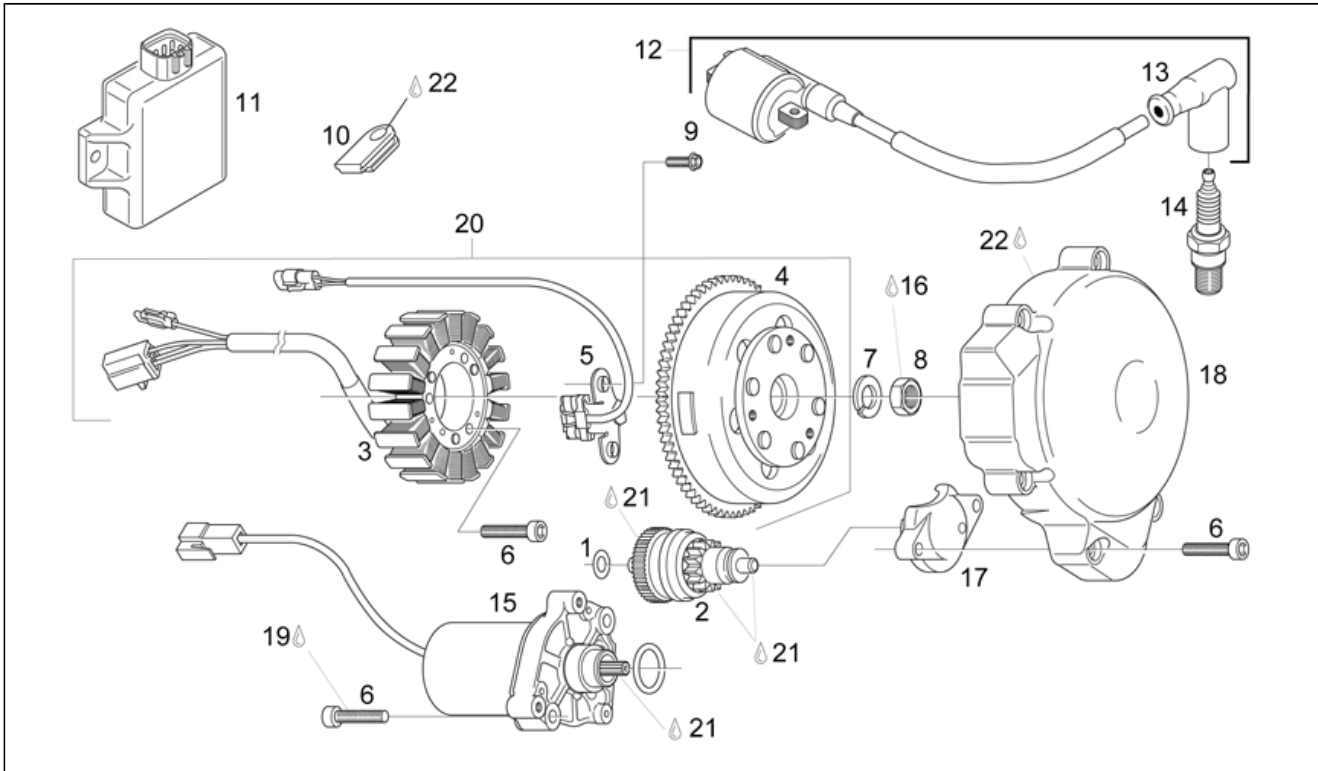
Pos.	Code	Description	Q.ty	Variants
1	AP0211403	Clutch cover	1	Technical Specifications: 11Kw power[11Kw], 80Km/h speed[80], Full Power Version[f.p.]
1	AP0211405	Clutch cover	1	Technical Specifications: Sport Production version[s.p.]
2	AP0232150	Ball 12 MM	3	
3	AP0259325	Cam lever	1	
4	AP0241791	Screw M8x16	1	
5	AP0942671	Nut M8	1	
6	AP0227945	Thrust washer 8,1/15	1	
7	AP0239907	Leaf spring	1	
8	AP0841685	Screw w/ flange M5x10	1	
9	AP0250455	Oil seal 12x22x7	1	
10	AP0250205	Gasket	1	
11	AP0840880	Hex socket screw M6x30	9	
12	AP0250890	O-ring 3771	3	
13	AP0240820	Oil level screw M18x1,5	1	
14	AP0241801	Plastic plug M18x1,5	2	
15	AP0250641	Gasket ring 12x18	1	
16	AP0241782	Magnetic drain plug M12x1,5	1	
17	AP0930725	Oil seal 17x28x7	1	Technical Specifications: Sport Production version[s.p.]

Assembly	ENGINE
Code	29.21
Description	Oil pump
Revision	1



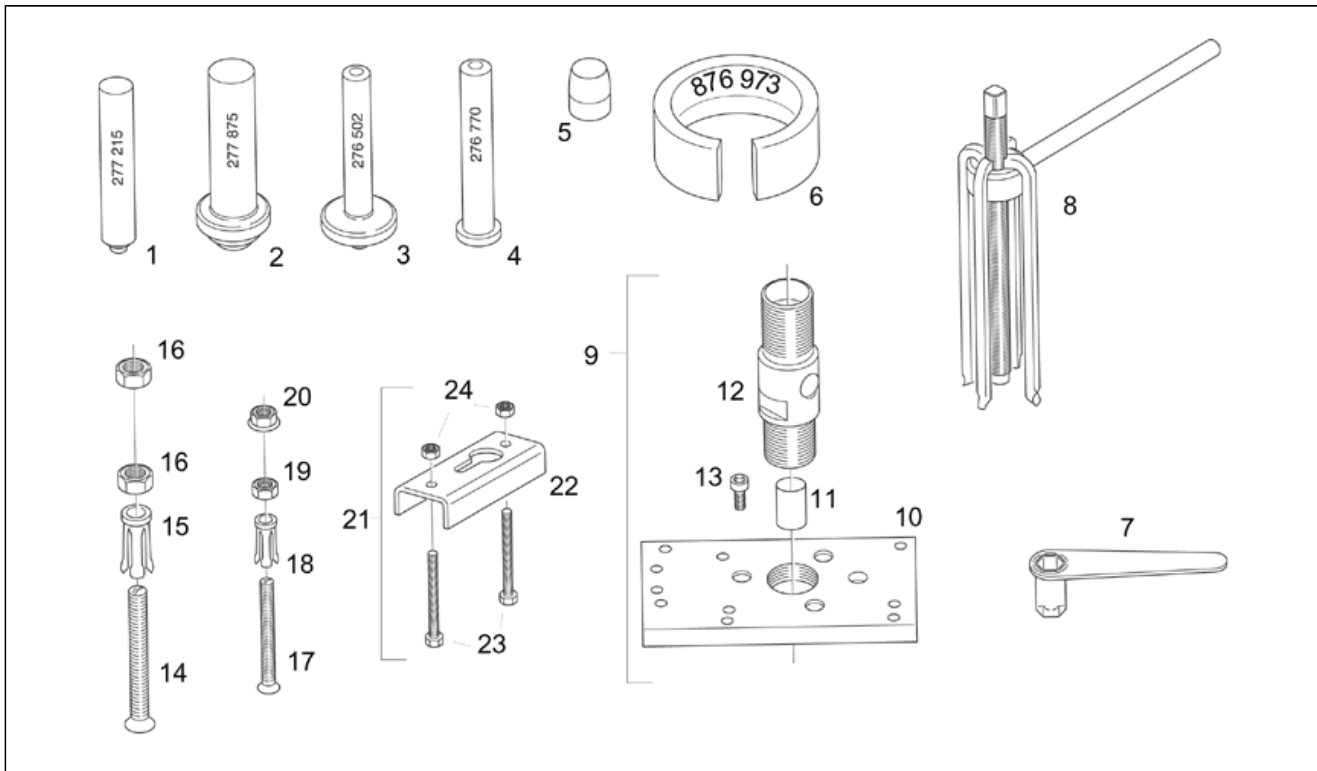
Pos.	Code	Description	Q.ty	Variants
1	AP0294735	Oil pump assy.	1	
2	AP0256400	Hose clamp	1	
3	AP0256410	Pipe 350 MM	1	
4	AP0251080	Hose clamp 8	1	
5	AP0256037	Pipe 850 MM	1	
6	AP0260030	Rubber, wire cover	1	
7	AP0250890	O-ring 3771	1	
8	AP0840510	Hex socket screw M5x16	2	
9	AP0853840	Hose clamp 35553	1	
10	AP0211440	Oil pump cover	1	
11	AP0840511	Hex socket screw M5x16	3	
12	AP0899785	Loctite (violet) 221 10cc.	1	

Assembly	ENGINE
Code	29.22
Description	Ignition unit
Revision	1



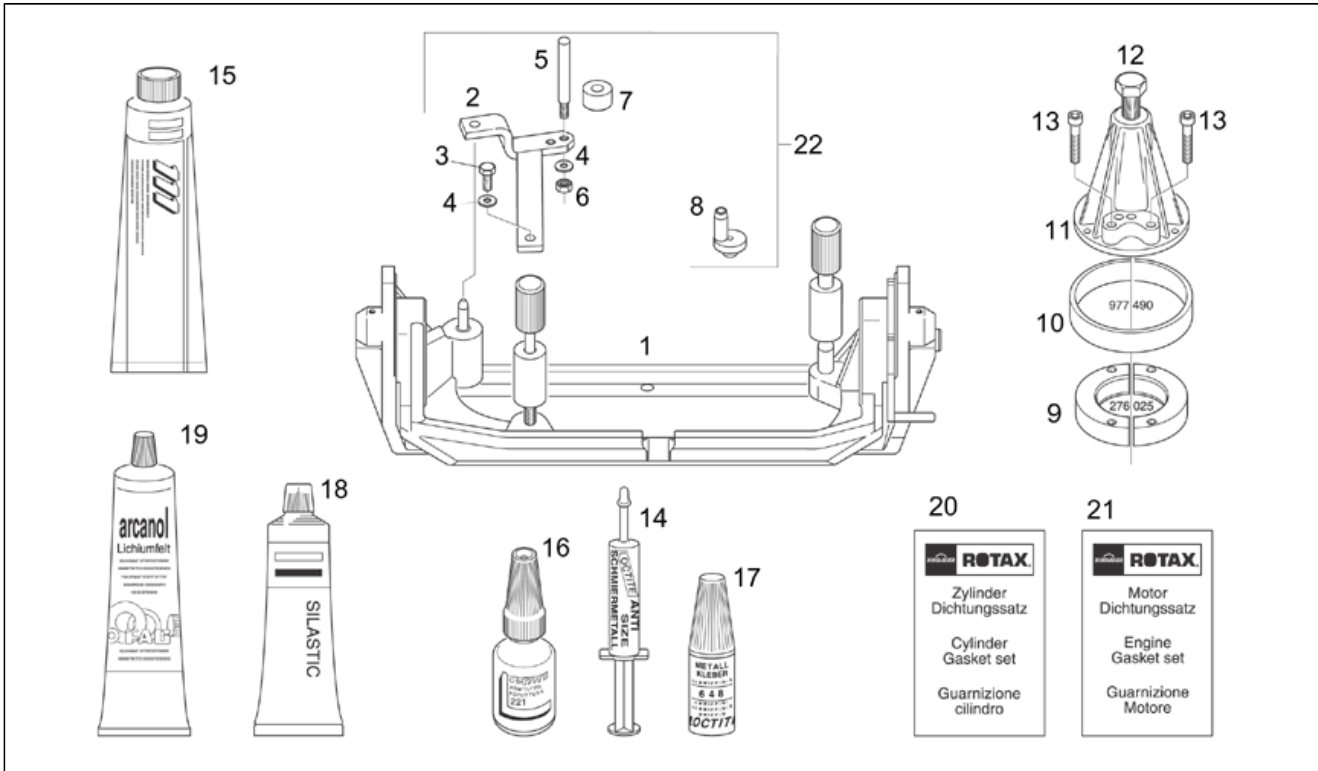
Pos.	Code	Description	Q.ty	Variants
1	AP0227945	Thrust washer 8,1/15	1	
2	AP0294810	Gear cpl.	1	
3	AP0295670	Stator cpl.	1	
4	AP0295677	Cdi magneto assy	1	
5	AP0265157	Ext. pick-up	1	
6	AP0840880	Hex socket screw M6x30	11	
7	AP0945754	Break washer A12	1	
8	AP0242515	Nut M12x1	1	
9	AP0941925	Special TE screw M5x16	2	
10	AP0260840	Rubber, wire cover	1	
11	AP0265402	Digital ECU	1	Technical Specifications: Full Power Version[f.p.]
11	AP0265405	Analog control unit	1	Technical Specifications: 11Kw power[11Kw], 80Km/h speed[80]
11	AP8124221	ECU	1	Technical Specifications: Sport Production version[s.p.]
12	AP0265415	HT coil	1	
13	AP0866708	Sparkplug cap, black	1	
14	AP0297830	Spark plug BR10EG	1	Technical Specifications: Full Power Version[f.p.]
14	AP0897055	Spark plug 14 NGK BR8	1	Technical Specifications: 80Km/h speed[80]
15	AP0294800	Starter motor	1	
16	AP0899788	Loctite (green) 648 5gr.	1	
17	AP0210345	Starter motor cover	1	
18	AP0211455	Flywheel cover	1	
19	AP0899785	Loctite (violet) 221 10cc.	1	
20	AP0295360	Ignition unit	1	Technical Specifications: Sport Production version[s.p.]
20	AP0295365	Ignition unit cpl.	1	Technical Specifications: 11Kw power[11Kw], 80Km/h speed[80], Full Power Version[f.p.]
21	AP0897161	Molykote 111 100gr.	1	
22	AP0297386	Silastic 732 Rtv 100 gr.	1	

Assembly	SPECIAL TOOLS
Code	31.23
Description	Repairing tools I
Revision	1



Pos.	Code	Description	Q.ty	Variants
1	AP0277215	Insertion jig	1	
2	AP0277875	Insertion jig assy.	1	
3	AP0276502	Insertion jig assy.	1	
4	AP0276770	Insertion jig assy.	1	
5	AP0277970	Spring guide bush	1	
6	AP0876973	Piston ring spanner 54 MM	1	
7	AP0276040	Clutch key 11 MM	1	
8	AP0277180	Bearing extractor kit	1	
9	AP0277455	Puller plate	1	
10	AP0277450	Puller plate	1	
11	AP0277470	Sheath	1	
12	AP0277460	Puller screw	1	
13	AP0241236	Hex socket screw M6x16	4	
14	AP0276380	Threaded pin M10	1	
15	AP0276370	Bush	1	
16	AP0242091	Nut M10	2	
17	AP0276382	Threaded pin	1	
18	AP0276372	Bush	1	
19	AP0242206	Nut M8	1	
20	AP0242700	Nut M8	1	
21	AP0277445	Exhaust valve puller cpl.	1	
22	AP0277440	Exhaust valve puller cpl.	1	
23	AP0240860	Hex screw M6x60	2	
24	AP0242211	Nut M6	2	

Assembly	SPECIAL TOOLS
Code	31.24
Description	Repairing tools II
Revision	1



Pos.	Code	Description	Q.ty	Variants
1	AP0277917	Engine support cpl.	1	
2	AP0277100	Adapter cpl	1	
3	AP0940590	Hex screw M8x20	1	
4	AP0250311	Washer 8,4	2	
5	AP0277110	Threaded pin	1	
6	AP0242206	Nut M8	1	
7	AP0847160	Spacer 10,5/24/15	1	
8	AP0276662	Bush	1	
9	AP0276025	Half ring	2	
10	AP0977490	Ring	1	
11	AP0876298	Puller cpl.	1	
12	AP0940755	Hex screw M16x145	1	
13	AP0840681	Hex socket screw M8x40	4	
14	AP0297431	Loctite Anti Seize 10 GR.	1	
15	AP0897161	Molykote 111 100gr.	1	
16	AP0899785	Loctite (violet) 221 10cc.	1	
17	AP0899788	Loctite (green) 648 5gr.	1	
18	AP0297386	Silastic 732 Rtv 100 gr.	1	
19	AP0897330	Lithium-Base grease 250gr.	1	
20	AP0293318	Cylinder set gasket	1	
21	AP0293314	Engine set gasket	1	
22	AP0277107	Tool kit	1	