



PIAGGIO & C.s.p.a.

aprilia

SPARE PARTS CATALOGUE



Dorsoduro 1200 2010-2013

Chassis prefix: ZD4TV000, ZD4TV001, ZD4TVA00, ZD4TVA01, ZD4TVC00,
Engine prefix:

DORSODURO

3995

Index

Finished products.....	4
Alphanumeric index.....	6
FRAME.....	13
Table 28.01 - Frame I.....	13
Table 28.02 - Frame II.....	14
Table 28.03 - Saddle support.....	15
Table 28.04 - Foot rests.....	16
Table 28.05 - Central stand.....	18
Table 28.06 - Steering.....	19
Table 28.07 - Front fork	20
Table 28.08 - Swing arm.....	21
Table 28.09 - Rear shock absorber.....	23
Table 28.10 - Front body - Front mudguard.....	24
Table 28.11 - Central body.....	25
Table 28.12 - Fuel tank.....	27
Table 28.13 - Fuel pump.....	28
Table 28.14 - Saddle.....	29
Table 28.15 - Rear body I.....	30
Table 28.16 - Rear body II.....	31
Table 28.17 - Rear body III.....	33
Table 28.18 - Dashboard.....	34
Table 28.19 - Handlebar - Controls.....	35
Table 28.20 - Clutch pump I.....	36
Table 28.21 - Front master cilinder I.....	37
Table 28.22 - Cooling system.....	38
Table 28.225 - Oil radiator.....	40
Table 28.23 - Air box.....	41
Table 28.25 - Exhaust unit.....	42
Table 28.26 - Front wheel.....	44
Table 28.27 - Front brake caliper.....	45
Table 28.28 - Rear wheel.....	46
Table 28.29 - Rear brake system I.....	47
Table 28.30 - Front lights.....	49
Table 28.31 - Rear lights.....	50
Table 28.32 - Electrical system I.....	51
Table 28.33 - Electrical system II.....	52
Table 28.34 - Lock hardware kit.....	54
Table 28.35 - Decal -Toolkit.....	55
Table 28.54 - Holder.....	58
Table 28.55 - ABS Brake system.....	59
Table 28.56 - USA decals.....	60
ENGINE.....	61
Table 29.24 - Engine.....	61

Table 29.36 - Crankcases I.....	62
Table 29.37 - Crankcases II.....	64
Table 29.38 - Oil pump.....	65
Table 29.39 - Drive shaft.....	66
Table 29.40 - Cylinder with piston.....	67
Table 29.41 - Valves cover.....	68
Table 29.42 - Cylinder head - valves.....	69
Table 29.43 - Valves pads.....	70
Table 29.44 - Front cylinder timing system.....	71
Table 29.45 - Rear cylinder timing system.....	73
Table 29.46 - Gear box selector.....	75
Table 29.47 - Gear box.....	76
Table 29.48 - Clutch I.....	77
Table 29.49 - Clutch II.....	78
Table 29.50 - Water pump.....	79
Table 29.51 - Ignition unit.....	80
Table 29.52 - Throttle body.....	81
Table 29.53 - Fuel vapour recover system.....	82

Finished products

Code	Validity
AP6167000ACA01	
AP6167000ACA02	
AP6167000ACAXX	
AP6167000EAA00	
AP6167000EAA01	
AP6167000EAA02	
AP6167000EAAXX	
AP6167000EAC00	
AP6167000EAC03	
AP6167000EAC04	
AP6167000EBA01	
AP6167000EBA02	
AP6167000EBAXX	
AP6167000EBC00	
AP6167000EBC03	
AP6167000EBC04	
AP6167000ECA01	
AP6167000ECA02	
AP6167000ECAXX	
AP6167000ECC00	
AP6167000ECC03	
AP6167000ECC04	
AP6167001EAA01	
AP6167001EAA02	
AP6167001EAAXX	
AP6167001EAC00	
AP6167001EAC03	
AP6167001EAC04	
AP6167001EBA01	
AP6167001EBA02	
AP6167001EBAXX	
AP6167001EBC00	
AP6167001EBC03	
AP6167001EBC04	
AP6167001ECA01	
AP6167001ECA02	
AP6167001ECAXX	
AP6167100EAA00	
AP6167100EAA01	
AP6167100EAA02	
AP6167100EAAXX	
AP6167100EBA01	

Code	Validity
AP6167100EBA02	
AP6167100EBAXX	
AP6167100ECA01	
AP6167100ECA02	
AP6167100ECAXX	
AP6167101EBA01	
AP6167101EBA02	
AP6167101EBAXX	
AP6167200CCB01	
AP6167200CCB02	
AP6167200CCBXX	
AP6167200CCC00	
AP6167200CCC03	
AP6167200CCC04	
AP6167200CCD00	
AP6167200CCD03	
AP6167200CCD04	
AP6167200YCA01	
AP6167200YCAXX	
AP6167200YCB01	
AP6167200YCB02	
AP6167200YCBXX	
AP6167200YCC00	
AP6167200YCC03	
AP6167200YCC04	
AP6167200YCD00	
AP6167200YCD03	
AP6167200YCD04	
AP6167500EAC00	
AP6167500EAC04	
AP6167500EBC04	
AP6167500ECC00	
AP6167500ECC04	

Code	No. table	Pos.	Code	No. table	Pos.	Code	No. table	Pos.
000267	29.51	16	834038	29.52	18	856680	28.17	3
006429	29.44	20	834232	28.22	30	856779	28.04	1
006429	29.45	20	834951	29.50	17	856780	28.04	2
006450	29.38	2	842291	29.41	3	856787	28.08	24
006642	29.36	21	846624	29.50	8	856808	28.29	3
015935	29.51	11	847906	29.39	4	856827	28.17	7
018639	29.52	13	847915	29.39	8	856833	28.35	17
122637	29.51	10	848209	29.50	10	856843	28.31	7
122671	29.36	8	848341	29.51	17	856846	28.12	7
224035	29.37	10	848474	29.36	11	85684900XN6	28.10	1
224035	29.47	26	848647	29.51	26	856850	28.10	2
224035	29.50	7	848650	29.36	6	856898	28.30	1
239388	29.37	6	848714	29.51	3	856899	28.31	1
254485	28.01	10	848845	29.51	19	856914	28.25	25
254485	28.11	11	849131	29.39	3	856914	28.25	28
254485	28.16	9	849308	29.47	19	857265	29.46	22
254485	28.22	26	849308	29.47	9	858334	28.31	18
254485	28.34	11	849309	29.47	23	858507	28.05	12
254485	28.54	8	849310	29.47	20	858508	28.05	1
254485	29.53	3	849311	29.47	24	858509	28.05	2
255638	28.08	20	849424	29.47	6	858539	28.19	11
277916	29.50	18	849426	29.47	7	858588	28.56	6
277916	29.51	22	849718	29.44	18	859697	28.17	5
287073	29.44	9	849718	29.45	18	859764	28.08	29
287073	29.45	9	849720	29.44	19	859789	28.54	14
289731	29.50	19	849720	29.45	19	859792	28.07	26
289731	29.52	8	849721	29.44	17	859792	28.29	39
289731	29.52	8	849721	29.45	17	859792	28.33	19
28000550	28.55	12	849721	29.45	17	859792	28.33	19
411311	29.42	21	849817	29.44	25	859793	28.54	6
414838	29.44	29	849817	29.45	25	859921	28.04	4
414838	29.45	29	849898	29.52	7	859929	28.08	22
432142	29.52	9	851049	28.29	7	859946	28.29	8
478171	28.30	7	85153600XNB	28.01	2	859949	28.19	5
478761	28.03	10	85153700XNB	28.01	3	859976	29.24	11
484123	29.38	21	851541	28.01	4	860026	28.31	15
484706	29.42	10	85156R	28.26	13	860127	28.34	3
487073	29.36	17	85157R	28.28	5	860138	29.53	10
487824	29.51	25	851586	28.25	22	860171	28.25	27
573454	28.22	4	851612	28.28	1	860237	28.12	8
575268	28.25	14	851628	28.19	7	860402	29.24	16
584509	28.33	20	851784	28.02	1	860447	28.30	20
597565	29.46	19	852029	28.35	16	860468	28.55	3
638733	28.32	10	852165	28.01	5	860484	28.55	7
639687	29.51	21	852214	28.27	2	860485	28.55	8
640168	29.51	7	852215	28.27	1	860628	28.54	2
640485	29.42	20	852480	29.24	10	860629	28.54	3
640698	28.33	11	853036	28.02	4	860662	28.09	5
641541	29.38	10	853037	28.01	6	860667	28.54	4
641738	29.52	2	854555	28.30	3	860694	28.28	3
642302	29.52	14	854555	28.31	10	860732	28.35	15
642387	29.51	6	854556	28.30	4	860744	28.19	19
658778	29.48	11	854556	28.31	9	860744	28.29	26
709099	29.38	14	854631	28.31	17	860898	28.08	32
825577	29.36	12	854827	28.06	14	860899	28.08	33
825577	29.48	19	854909	29.24	3	860900	28.08	34
825597	29.40	14	854951	29.24	4	860905	28.05	11
825694	29.42	19	854962	28.03	11	860909	28.03	8
825725	29.51	18	854973	28.29	16	860931	28.16	10
82697R	29.51	1	855031	29.50	25	860932	28.16	11
827018	29.42	13	855071	28.17	22	860987	28.04	24
82897R	29.36	14	855799	29.42	16	871494	29.51	18
829122	29.36	2	856062	29.53	5	871609	29.48	12
82960R	29.38	12	856063	29.53	6	871640	29.42	5
830249	29.41	4	856069	29.24	6	871640	29.43	2
830389	29.51	5	856180	28.34	9	871642	29.42	4
830390	29.51	4	85623200XES	28.08	1	871649	29.46	8
831148	29.51	17	856604	28.30	8	8716755	29.51	13

Code	No. table	Pos.	Code	No. table	Pos.	Code	No. table	Pos.
871798	29.44	21	8756994	29.44	28	878685	29.50	4
871798	29.45	21	8756994	29.45	28	878705	29.42	17
871901	29.46	24	875796	29.46	1	878734	29.50	2
872033	29.36	5	875814	29.50	16	878806	29.42	8
872154	29.46	5	875838	29.36	4	878807	29.42	9
872182	29.37	5	875878	29.44	15	878808	29.42	6
872264	29.52	3	875878	29.45	15	878809	29.42	7
872421	29.48	2	875879	29.44	30	878845	29.49	3
872425	28.32	4	875880	29.45	30	878867	29.46	9
872432	29.51	23	875889	29.40	1	878868	29.44	23
872550	29.48	4	875914	28.32	3	878868	29.45	23
872560	29.46	14	875935	29.36	26	878869	29.44	12
872664	28.33	3	875936	29.36	3	878870	29.46	13
872807	29.42	11	875940	29.52	1	878871	29.38	6
873115	28.20	3	876087	29.44	3	878872	29.51	20
873117	29.48	10	876087	29.45	3	879127	29.42	3
873131	29.43	1	876113	29.44	4	879129	29.46	7
873233	29.44	26	876143	29.44	5	879175	29.49	5
873233	29.45	26	876171	29.44	6	879176	29.49	6
873268	28.20	6	876296	29.48	6	879250	29.38	23
873543	29.48	8	876320	29.36	24	879320	29.50	24
873718	29.49	7	876389	29.52	11	879357	29.52	5
873719	29.49	4	876486	29.38	9	8793650001	29.36	23
873772	29.46	4	876494	29.44	16	8793650002	29.36	23
873863	29.38	5	876494	29.45	16	8793650003	29.36	23
873866	29.38	4	876529	29.50	3	8793650004	29.36	23
873905	29.36	9	876538	29.50	6	879523	29.44	10
873906	29.38	8	876546	29.47	25	879523	29.45	10
873928	29.36	25	876559	29.47	13	879532	29.41	2
873974	29.38	7	876561	29.47	12	879550	29.38	13
874037	28.20	5	876569	29.47	14	879554	29.46	3
874129	29.46	10	876631	29.52	10	879855	29.41	6
874191	29.48	13	876665001	29.39	2	879858	29.42	2
874546	29.37	11	876665002	29.39	2	879883	29.41	1
874548	29.37	4	876707	29.40	6	879948	29.41	7
874549	29.40	12	876748	29.36	15	880064	29.45	6
874549	29.50	12	876954	29.51	2	880079	29.40	8
874550	29.50	14	877069	29.50	13	880080	29.47	27
874551	29.48	17	877135	29.38	24	8801545001	29.39	1
874551	29.51	12	877195	29.48	20	8801545002	29.39	1
874554	29.40	10	877281	29.36	19	880191	29.47	1
874554	29.52	12	877424	29.48	5	880193	29.47	2
874557	29.42	14	877441	29.46	21	880194	29.47	3
874558	29.42	12	877812	29.49	10	880195	29.47	4
874567	29.40	7	877814	29.37	2	880196	29.47	5
874591	29.44	24	877829	29.44	11	880197	29.47	15
874591	29.45	24	877829	29.45	11	880198	29.47	16
874598	29.37	1	877850	29.50	11	880199	29.47	17
874599	29.46	2	877884	29.44	8	880200	29.47	18
874660	29.48	3	877884	29.45	8	880231	29.44	22
874744	29.44	14	877885	29.44	7	880231	29.45	22
874744	29.45	14	877885	29.45	7	880233	29.40	9
874746	29.42	18	8781140001	29.39	5	880235	29.40	11
874751	29.44	13	8781140002	29.39	5	880689	29.52	15
874752	29.45	13	8781140003	29.39	5	880701	29.50	23
875173	29.46	20	8781140004	29.39	5	880734	29.41	5
875222	29.49	12	878115	29.50	5	880779	29.48	14
875223	29.49	9	878296	29.39	9	880867	29.50	15
875224	29.49	13	8783940001	29.36	22	880871	29.49	1
875358	29.38	16	8783940002	29.36	22	8809935001	29.36	1
875373	29.45	4	8783940003	29.36	22	8809935002	29.36	1
875397	29.40	13	8783940004	29.36	22	8809935003	29.36	1
875411	29.44	27	878401	29.38	20	8809935004	29.36	1
875411	29.45	27	878434	29.37	7	887193	28.33	22
875644	29.45	5	878523	29.38	15	890002	28.08	3
875690	29.49	11	878567	29.36	16	890126	28.08	30
875691	29.49	8	878661	29.40	5	890164	28.04	26

Code	No. table	Pos.	Code	No. table	Pos.	Code	No. table	Pos.
890164	28.29	37	895571	28.29	2	896756	28.28	3
890171	28.34	2	895709	28.12	9	896760	28.225	3
890198	28.35	23	895813	28.25	4	896867	28.23	13
890206	28.01	17	895836	28.25	2	89688300BM	28.11	2
890243	28.04	28	895864	28.15	9	89688300XN5	28.11	2
890486	28.03	17	895907	28.33	33	89688400BM	28.11	3
890509	28.20	9	895915	28.03	2	89688400XN5	28.11	3
890509	28.21	19	895998	28.22	1	896936	28.04	16
890509	28.29	35	895999	28.225	1	896940	28.04	17
890638	28.03	13	896002	28.03	1	896961	28.06	8
890721	28.29	30	896003	28.19	12	897010	28.02	10
890755	28.12	7	896004	28.19	13	897035	28.22	23
890756	28.34	2	896007	28.07	1	897036	28.22	24
890896	28.31	19	896008	28.07	2	897037	28.22	16
890939	28.31	20	896011	28.26	8	897198	28.35	18
890940	28.31	21	896012	28.26	14	897328	28.07	3
890960	28.28	22	896013	28.29	22	897329	28.07	4
893132	28.08	37	896014	28.02	5	897330	28.07	5
893132	28.23	10	896061	28.32	1	897331	28.07	7
893513	28.22	5	896061	28.33	1	897332	28.07	8
893514	28.22	2	896062	28.33	19	897333	28.07	9
893756	28.54	1	896063	28.19	2	897334	28.07	10
893823	28.22	8	896107	28.19	3	897335	28.07	12
893841	28.225	11	896110	28.25	3	897336	28.07	13
893842	28.225	12	896234	28.23	7	897337	28.07	14
894505	28.29	23	896235	28.23	8	897338	28.07	15
894510	28.22	27	896236	28.23	4	897339	28.07	17
894511	28.22	14	896237	28.23	5	897340	28.07	18
894512	28.22	29	896239	28.23	3	897341	28.07	19
894603	28.32	5	896240	28.23	1	897342	28.07	20
894671	28.13	8	896245	28.22	3	897343	28.07	21
89476300XNC	28.12	1	896251	28.21	4	897344	28.07	22
894764	28.23	17	896252	28.29	1	897348	28.07	6
894780	28.32	1	896253	28.29	31	897349	28.07	11
894780	28.33	1	896254	28.29	21	897350	28.07	16
894782	28.23	15	896256	28.21	4	897351	28.23	16
894783	28.23	18	896259	28.20	20	89760900A1	28.14	1
894785	28.13	1	896260	28.06	5	89760900A2	28.14	1
894876	28.10	7	896327	28.06	7	89761000BM	28.16	1
894878	28.10	9	896330	28.06	1	89761000XN5	28.16	1
894880	28.19	14	896331	28.03	7	897625	28.06	6
894881	28.19	15	896338	28.06	13	897626	28.06	15
894883	28.11	8	896367	28.22	11	897649	28.33	17
894888	28.11	1	896473	28.21	1	897818	28.55	6
89489200XN6	28.16	4	896474	28.29	17	897819	28.55	5
89489300XN6	28.16	5	896475	28.20	8	897825	28.21	1
894895	28.15	1	896512	28.30	21	897825	28.55	1
894897	28.15	3	896513	28.30	22	897826	28.55	2
895052	28.33	4	896655	28.25	15	897885	28.56	5
895092	28.23	9	896656	28.25	9	897998	28.32	9
89519000XH4	28.01	1	896659	28.34	1	898025	28.03	16
895205	28.11	16	896660	28.34	6	898091	28.15	2
895213	28.01	8	896661	28.17	1	898096	28.35	1
895217	28.225	7	896663	28.19	10	898097	28.35	3
895220	28.19	1	896664	28.04	5	898098	28.35	4
895347	28.33	25	896665	28.04	6	898099	28.35	5
895348	28.33	26	896675	28.03	6	898100	28.35	6
895349	28.08	35	896675	28.13	7	898104	28.35	9
895351	28.55	4	896678	28.06	4	898105	28.35	10
895354	28.25	4	896683	28.06	19	898106	28.35	11
895355	28.25	5	896684	28.06	17	898107	28.35	12
895356	28.25	6	896685	28.06	18	898108	28.35	13
895357	28.25	7	896693	28.34	1	898109	28.35	14
895434	28.35	2	896703	28.25	19	898113	28.09	1
895475	28.18	1	896704	28.25	20	898136	28.34	15
895479	28.33	34	896715	28.33	23	898247	29.53	16
895481	28.32	11	896754	28.26	1	898251	28.25	21

Code	No. table	Pos.	Code	No. table	Pos.	Code	No. table	Pos.
898419	28.06	12	AP8102386	28.13	6	AP8120446	29.53	12
898437	28.35	13	AP8102386	28.29	27	AP8120573	28.04	19
898438	28.35	14	AP8102503	28.12	18	AP8120615	28.23	6
898439	28.35	7	AP8102520	28.23	11	AP8120657	28.02	7
898440	28.35	8	AP8102520	29.53	19	AP8120712	28.16	8
898639	28.04	30	AP8102524	28.05	8	AP8120712	28.23	20
898733	28.225	9	AP8102600	28.04	15	AP8120712	28.33	27
898888	28.18	2	AP8102600	29.24	9	AP8120905	29.53	2
899064	28.225	13	AP8102671	28.03	5	AP8120912	29.24	18
899069	28.13	11	AP8102678	29.53	1	AP8120952	28.12	10
899075	28.04	29	AP8102688	29.53	15	AP8120952	28.17	14
899129	28.35	18	AP8102719	29.53	7	AP8120965	28.12	16
899187	28.56	3	AP8102764	29.53	11	AP8121032	28.19	16
899188	28.56	1	AP8102786	28.23	22	AP8121126	28.29	9
899189	28.56	2	AP8102815	29.53	13	AP8121133	28.04	21
899235	28.11	19	AP8102902	28.01	20	AP8121155	28.09	7
899236	28.11	20	AP8102903	28.23	14	AP8121170	28.25	8
899346	28.11	21	AP8102913	28.34	5	AP8121184	28.13	13
899347	28.11	22	AP8104920	28.34	14	AP8121200	28.08	10
899356	28.22	34	AP8106382	28.20	12	AP8121201	28.08	12
899367	28.16	13	AP8106382	28.29	36	AP8121203	28.08	11
899368	28.16	14	AP8106806	28.28	19	AP8121204	28.08	6
899487	28.13	12	AP8107145	28.28	2	AP8121212	28.28	14
899561	28.10	9	AP8110053	29.24	13	AP8121213	28.28	21
899867	28.35	15	AP8110078	28.08	2	AP8121221	29.24	17
969323	29.38	19	AP8110081	28.28	13	AP8121223	28.29	4
969973	29.37	8	AP8110093	28.28	19	AP8121223	29.24	22
971718	29.46	12	AP8110094	28.26	4	AP8121332	28.01	18
971719	29.46	11	AP8112600	28.31	2	AP8121420	28.34	12
974033	29.51	8	AP8112600	28.54	16	AP8121428	28.225	14
974051	29.36	20	AP8113003	28.20	1	AP8121455	28.25	26
974112	29.36	13	AP8113003	28.21	10	AP8121520	28.19	4
974129	29.36	7	AP8113004	28.20	7	AP8121570	28.08	4
974130	29.46	25	AP8113004	28.21	9	AP8121592	28.28	8
974157	29.38	3	AP8113004	28.27	9	AP8121716	28.55	9
974162	29.47	11	AP8113004	28.29	18	AP8121718	28.11	9
974163	29.47	8	AP8113070	28.27	5	AP8121725	28.30	11
974165	29.47	10	AP8113288	28.29	32	AP8121795	28.31	3
974166	29.47	22	AP8113499	28.21	3	AP8121795	28.54	15
974167	29.47	21	AP8113553	28.20	13	AP8121811	28.19	17
974219	29.51	14	AP8113598	28.21	2	AP8121811	29.24	7
974230	29.48	16	AP8113719	28.20	24	AP8121889	29.24	25
974290	29.38	18	AP8113719	28.21	8	AP8121890	28.08	19
974320	29.48	9	AP8113721	28.27	6	AP8121991	28.11	18
974320	29.49	2	AP8113722	28.27	7	AP8123511	28.06	10
974361	29.48	7	AP8113723	28.27	8	AP8123644	28.06	3
974517	29.38	1	AP8113758	28.20	21	AP8123934	28.12	5
974556	29.24	2	AP8117033	28.10	8	AP8124288	28.21	20
974558	29.46	23	AP8117033	28.11	12	AP8124293	28.33	10
AP8101595	28.12	15	AP8117033	28.12	17	AP8124718	28.17	20
AP8101595	28.20	17	AP8117258	28.31	5	AP8125687	28.08	14
AP8101595	28.21	18	AP8117275	28.11	13	AP8125728	28.26	7
AP8101595	28.29	34	AP8118579	28.19	20	AP8125730	28.28	11
AP8101744	28.26	2	AP8120001	28.14	3	AP8125731	28.28	6
AP8101744	28.28	7	AP8120001	28.17	10	AP8125732	28.28	12
AP8101861	28.04	22	AP8120030	28.17	4	AP8125763	28.08	13
AP8101944	28.12	11	AP8120030	28.21	14	AP8125773	28.26	5
AP8101968	28.29	13	AP8120030	28.22	17	AP8125777	28.26	4
AP8102151	29.53	21	AP8120030	28.225	2	AP8125779	28.26	6
AP8102349	28.23	23	AP8120030	28.31	16	AP8125788	28.28	17
AP8102375	28.08	28	AP8120030	28.33	28	AP8125827	28.26	12
AP8102375	28.10	4	AP8120030	28.54	17	AP8125831	28.08	26
AP8102375	28.11	23	AP8120178	28.29	11	AP8125838	28.28	15
AP8102375	28.15	14	AP8120253	28.11	7	AP8125839	28.28	17
AP8102375	28.17	9	AP8120416	28.32	2	AP8125841	28.26	5
AP8102377	28.12	12	AP8120422	28.02	6	AP8125842	28.26	6
AP8102386	28.02	8	AP8120422	28.15	16	AP8127098	28.31	4

Code	No. table	Pos.
AP8127121	28.30	19
AP8127320	28.20	10
AP8127461	28.34	8
AP8127489	28.30	5
AP8127489	28.31	14
AP8127856	28.05	9
AP8128169	28.26	3
AP8128170	28.28	16
AP8128189	28.26	15
AP8128189	28.29	40
AP8128228	28.26	1
AP8128231	28.28	4
AP8133502	28.29	19
AP8133522	28.20	25
AP8133614	28.27	3
AP8133827	28.29	20
AP8133945	28.20	4
AP8133945	28.27	4
AP8134167	28.17	13
AP8134167	28.21	12
AP8134167	28.29	24
AP8134419	28.12	4
AP8134419	28.30	9
AP8134451	28.04	20
AP8134677	28.17	21
AP8134898	28.20	14
AP8134899	28.21	11
AP8144005	28.08	8
AP8144006	28.08	5
AP8144007	28.29	5
AP8144007	29.24	24
AP8144046	28.33	21
AP8144048	28.08	7
AP8144081	28.19	18
AP8144158	28.08	31
AP8144158	28.12	19
AP8144168	28.08	21
AP8144222	28.06	11
AP8144276	29.53	9
AP8144328	28.11	10
AP8144443	28.08	15
AP8144444	28.08	16
AP8144506	28.22	10
AP8144538	28.15	15
AP8144538	28.30	18
AP8144552	28.15	11
AP8144553	28.15	10
AP8144563	28.02	11
AP8144616	28.02	9
AP8144662	28.18	3
AP8144707	28.17	12
AP8145022	28.21	5
AP8146405	28.04	7
AP8146406	28.04	8
AP8146520	28.08	9
AP8149034	28.17	23
AP8150009	28.01	9
AP8150011	28.22	7
AP8150012	28.29	29
AP8150013	28.15	7
AP8150014	28.12	3
AP8150015	28.33	30
AP8150015	28.54	13
AP8150016	28.11	5
AP8150017	28.03	14
AP8150018	28.05	13
AP8150018	28.25	24

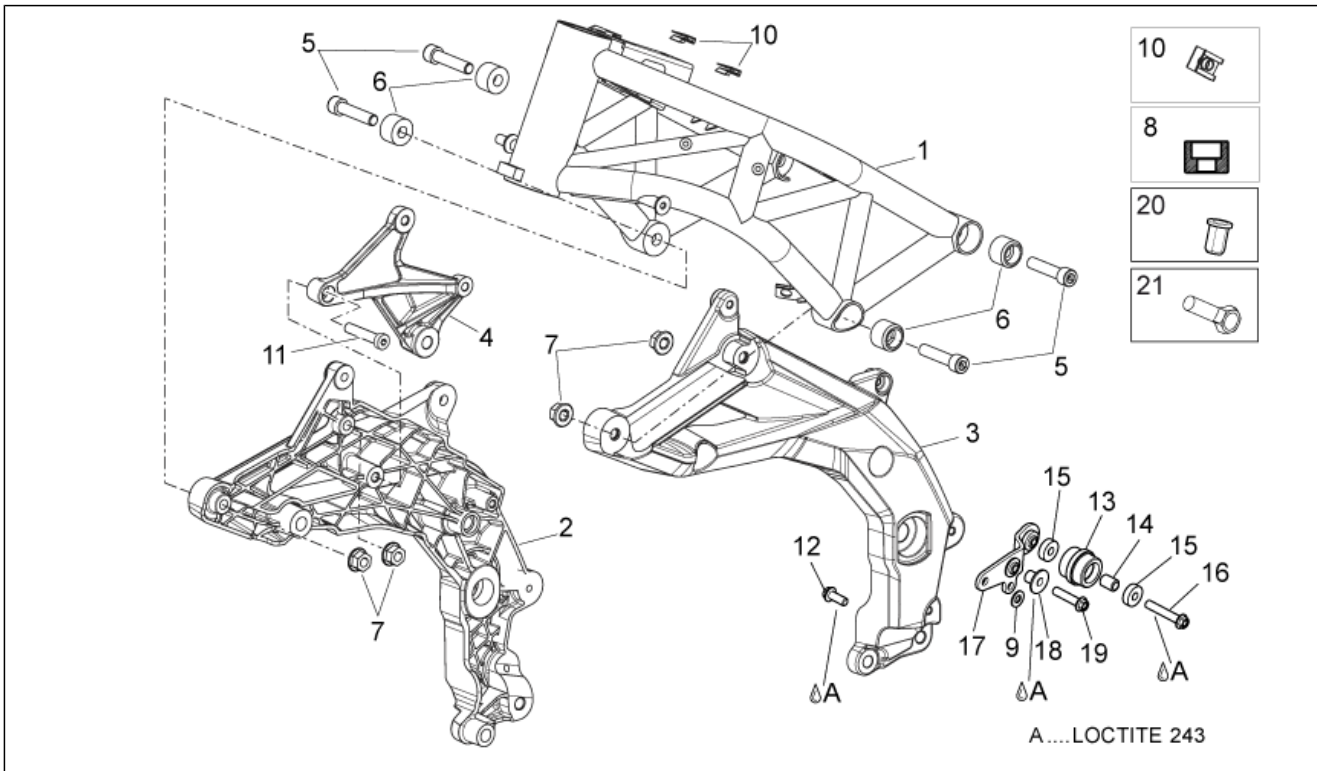
Code	No. table	Pos.
AP8150020	28.29	6
AP8150020	29.24	23
AP8150026	28.29	12
AP8150026	29.24	15
AP8150044	28.03	18
AP8150044	28.18	6
AP8150045	28.17	24
AP8150046	28.03	9
AP8150049	28.06	9
AP8150050	28.05	10
AP8150050	28.30	15
AP8150101	28.02	3
AP8150115	28.03	19
AP8150137	28.29	38
AP8150137	28.31	11
AP8150137	29.24	20
AP8150158	28.25	11
AP8150192	28.09	4
AP8150195	28.01	11
AP8150195	28.28	20
AP8150204	28.13	14
AP8150204	28.17	17
AP8150204	28.22	6
AP8150236	28.04	13
AP8150236	28.06	16
AP8150246	28.21	22
AP8150255	28.12	14
AP8150272	28.20	15
AP8150285	28.30	17
AP8150292	28.05	4
AP8150324	28.19	6
AP8150329	28.09	2
AP8150334	28.08	18
AP8150350	28.31	8
AP8150351	28.34	7
AP8150376	28.25	17
AP8150382	28.18	4
AP8150413	28.08	39
AP8150413	28.10	5
AP8150413	28.15	4
AP8150413	28.17	2
AP8150421	28.33	13
AP8150429	28.17	25
AP8150429	28.20	19
AP8150429	28.21	23
AP8150429	28.225	16
AP8150430	28.17	19
AP8150430	28.29	10
AP8150436	28.28	10
AP8150444	28.03	4
AP8150444	28.15	5
AP8150451	28.04	27
AP8150459	28.12	2
AP8150462	29.24	19
AP8150463	28.28	18
AP8150474	28.21	16
AP8150483	28.25	12
AP8150500	28.08	25
AP8150500	28.08	36
AP8150500	28.10	3
AP8150500	28.11	4
AP8150505	28.25	10
AP8150509	28.15	6
AP8150509	28.16	3
AP8150509	28.18	5
AP8150509	28.33	32
AP8150509	28.33	5

Code	No. table	Pos.
AP8150537	28.20	18
AP8150538	28.20	16
AP8150539	28.20	11
AP8150540	28.06	2
AP8150548	28.01	7
AP8150548	28.02	2
AP8152001	28.05	5
AP8152037	28.11	15
AP8152055	28.04	25
AP8152055	28.25	16
AP8152055	29.24	21
AP8152055	29.53	14
AP8152138	29.24	14
AP8152174	28.29	28
AP8152176	28.04	12
AP8152176	28.09	3
AP8152181	28.13	4
AP8152246	28.11	6
AP8152246	28.17	16
AP8152246	28.19	21
AP8152246	28.23	19
AP8152246	28.33	7
AP8152272	28.21	13
AP8152273	28.07	24
AP8152273	28.13	2
AP8152277	28.11	17
AP8152277	28.225	15
AP8152277	28.54	11
AP8152277	28.55	11
AP8152277	29.24	8
AP8152278	28.01	21
AP8152278	28.04	14
AP8152278	28.13	5
AP8152278	28.30	10
AP8152278	28.33	2
AP8152278	29.53	8
AP8152279	28.04	14
AP8152279	28.22	33
AP8152279	28.30	16
AP8152279	28.33	31
AP8152279	28.54	9
AP8152280	28.22	20
AP8152280	28.225	6
AP8152280	28.33	18
AP8152280	28.54	7
AP8152280	29.53	17
AP8152280	29.53	18
AP8152281	28.11	14
AP8152281	28.33	9
AP8152281	28.34	10
AP8152282	28.54	10
AP8152283	28.07	23
AP8152284	28.17	11
AP8152286	28.01	12
AP8152286	28.26	11
AP8152287	28.55	10
AP8152289	28.01	19
AP8152289	28.04	23
AP8152289	28.25	23
AP8152291	28.01	16
AP8152298	28.29	25
AP8152299	28.12	6
AP8152299	28.17	15
AP8152299	28.18	8
AP8152299	28.225	4
AP8152299	28.30	2
AP8152299	28.31	12

Code	No. table	Pos.	Code	No. table	Pos.	Code	No. table	Pos.
AP8152299	28.33	8	AP8224470	28.54	5	B043926	28.13	1
AP8152299	28.54	12	AP8257609	28.56	10	B044244	28.17	27
AP8152300	28.03	12	AP8257742	28.56	9	B044270	28.10	1
AP8152301	28.09	6	AP8257755	28.56	8	B044278	28.29	22
AP8152302	28.10	6	AP8257794	28.56	4	B044279	28.26	8
AP8152305	28.08	17	AP8267395	28.56	7	B044280	28.26	14
AP8152306	28.07	25	AP9009774	28.34	4	B044285	28.35	5
AP8152306	28.30	14	AP9100053	28.18	7	B044286	28.35	6
AP8152306	28.31	6	AP9100053	28.30	6	B044287	28.35	19
AP8152323	28.08	27	AP9100175	28.01	15	B044288	28.35	20
AP8152323	28.26	9	AP9100195	28.04	10	B044289	28.35	21
AP8152324	28.08	23	AP9100196	28.04	9	B044290	28.35	22
AP8152329	28.23	2	AP9100197	28.04	3	B044291	28.35	13
AP8152329	28.33	16	AP9100389	29.24	5	B044292	28.35	14
AP8152335	28.26	10	AP9100487	28.33	6	B044293	28.35	5
AP8152339	28.15	12	AP9100668	28.05	7	B044294	28.35	6
AP8152339	28.16	2	AP9100669	28.05	6	B044295	28.35	19
AP8152339	28.17	8	AP9150064	29.46	17	B044296	28.35	20
AP8152339	28.33	12	AP9150069	29.46	16	B044297	28.35	21
AP8152342	28.17	18	AP9150070	29.46	18	B044298	28.35	22
AP8152350	28.03	15	AP9150410	29.48	15	B044299	28.35	13
AP8152414	28.27	10	AP9150472	29.38	11	B044300	28.35	14
AP8152486	28.19	8	B013000	29.50	1	B04430300XN2	28.11	2
AP8154043	28.34	13	B013063	29.37	9	B04430400XN2	28.11	3
AP8161054	28.23	12	B013068	29.50	9	B04430500BM	28.16	1
AP8161074	28.01	13	B013070	29.42	15	B04430500XR4	28.16	1
AP8161076	28.01	14	B013071	29.51	24	B04430700XN2	28.11	2
AP8161119	28.05	3	B013072	29.51	9	B04430800XN2	28.11	3
AP8161127	28.12	13	B013074	29.48	1	B044360	28.35	7
AP8168501	28.20	22	B013207	29.51	15	B044361	28.35	8
AP8168501	28.21	6	B0132565001	29.40	2	B045033	28.28	9
AP8181139	28.13	3	B0132565002	29.40	2	B045450	28.56	3
AP8201169	28.23	21	B0132565003	29.40	2	B045451	28.56	2
AP8201301	28.29	14	B0132565004	29.40	2	B045452	28.56	1
AP8201431	28.04	11	B013265	29.40	3	B045805	28.08	35
AP8201755	28.03	3	B013266	29.40	4	B046059	28.04	1
AP8201755	28.25	18	B013306	29.46	6	B046060	28.04	2
AP8202058	28.08	38	B013345	29.50	21	CM001901	28.22	22
AP8210007	29.24	12	B0133465	29.50	22	CM001903	28.22	21
AP8213057	28.20	23	B013349	29.36	18	CM074706	29.52	6
AP8213057	28.21	7	B013362	29.46	15	CM083509	28.33	15
AP8213057	28.29	33	B013373	29.39	7	CM157201	29.43	3
AP8213299	28.20	26	B013431	29.42	1	CM157202	29.43	3
AP8213299	28.21	21	B013438	29.52	17	CM157203	29.43	3
AP8220192	28.30	13	B013485	29.52	4	CM157204	29.43	3
AP8220238	28.15	8	B013505	29.52	16	CM157205	29.43	3
AP8220349	28.14	2	B013531	29.44	2	CM157206	29.43	3
AP8220349	28.15	13	B013533	29.44	1	CM157207	29.43	3
AP8220366	28.22	18	B013536	29.45	2	CM157208	29.43	3
AP8220370	28.30	12	B013538	29.45	1	CM157209	29.43	3
AP8220546	29.53	20	B013607	29.48	18	CM157210	29.43	3
AP8221007	28.54	18	B013608	29.36	10	CM157211	29.43	3
AP8221023	28.17	26	B013928	29.46	7	CM157212	29.43	3
AP8221023	28.21	17	B0142551A	29.36	1	CM157213	29.43	3
AP8221023	28.22	19	B0142551B	29.36	1	CM157214	29.43	3
AP8221023	28.225	5	B0142552A	29.36	1	CM157215	29.43	3
AP8221023	28.33	29	B0142552B	29.36	1	CM157216	29.43	3
AP8221023	29.53	4	B0142585	29.50	22	CM157217	29.43	3
AP8221114	29.24	26	B0142605	29.50	4	CM157218	29.43	3
AP8221145	28.22	28	B0144170A	29.39	1	CM157219	29.43	3
AP8221340	28.16	12	B0144170B	29.39	1	CM157220	29.43	3
AP8221341	28.16	7	B014598	29.45	12	CM157221	29.43	3
AP8224164	28.31	13	B043166	28.35	18	CM159101	29.39	6
AP8224470	28.16	6	B043505	28.16	5	CM159102	29.39	6
AP8224470	28.17	6	B043506	28.16	4	CM159601	29.37	3
AP8224470	28.21	15	B04350600XN6	28.16	4	CM159602	29.37	3
AP8224470	28.29	15	B04350600XN6	28.16	4	CM159603	29.37	3

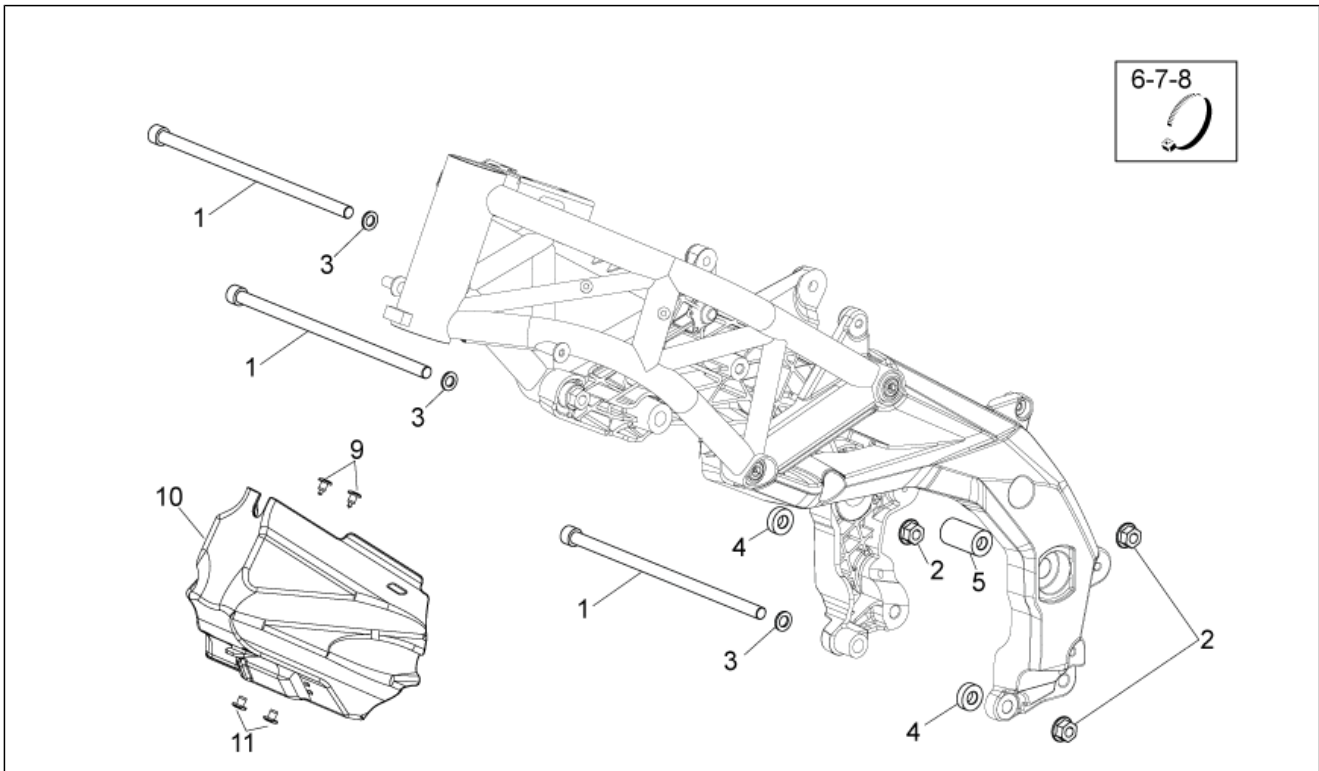
Code	No. table	Pos.
CM1607015	29.24	1
CM1607025	29.24	1
CM179202	29.50	20
CM179301	29.41	8
CM225607	28.32	8
CM225610	28.32	7
CM225615	28.32	6
CM226901	28.22	9
CM226902	28.22	15
CM226903	28.22	31
CM226904	28.22	32
CM226905	28.22	12
CM226906	28.22	13
CM226908	28.22	25
CM228401	28.04	18
GU01106090	28.13	10
GU01107490	28.13	9
GU01154230	28.225	10
GU01154230	29.38	22
GU01161331	28.225	8
GU01161331	29.38	17
GU01603480	28.19	9
GU05128230	28.25	13
GU05781630	28.07	27
GU30027931	28.33	24
GU30729330	28.33	14
GU92660021	28.25	1

Group	FRAME
Code	28.01
Description	Frame I
Service	1



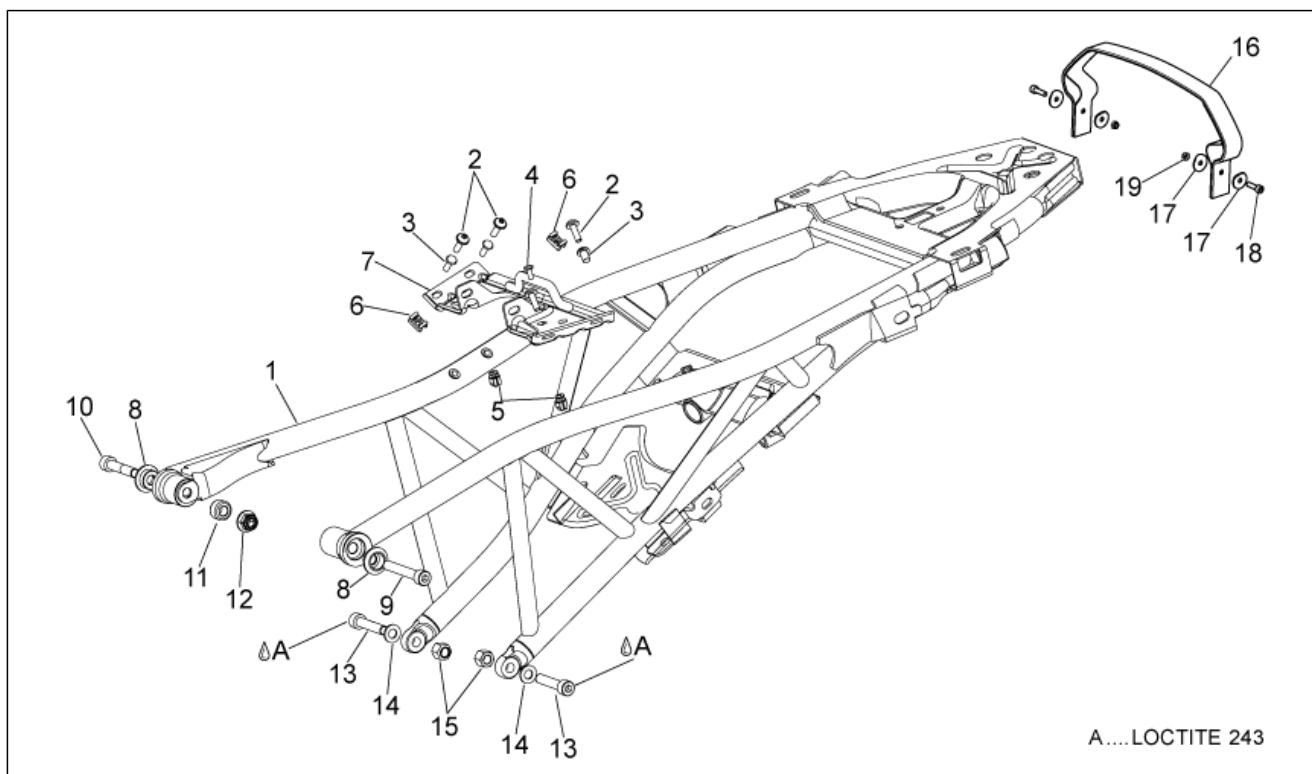
Pos.	Code	Description	Qty	Variants
1	89519000XH4	Polaris v. grey trestle	1	
2	85153600XNB	RH flank frame,black	1	
3	85153700XNB	LH side panel, black	1	
4	851541	Shock absorber plate	1	
5	852165	Screw	4	
6	853037	Bush	4	
7	AP8150548	Flanged nut M12	4	
8	895213	Bush	1	
9	AP8150009	Washer	1	
10	254485	Spring plate M6	5	
11	AP8150195	Hex socket screw M10x30	1	
12	AP8152286	Screw w/ flange M8x20	1	
13	AP8161074	Black chain guide roller	1	
14	AP8161076	Spacer	1	
15	AP9100175	Ball bearing 8x22x7	2	
16	AP8152291	Screw w/ flange	1	
17	890206	Upper plate	1	
18	AP8121332	Bush	1	
19	AP8152289	Screw w/ flange	1	
20	AP8102902	Hex threaded insert	2	
21	AP8152278	Screw w/ flange M6x16	2	

Group	FRAME
Code	28.02
Description	Frame II
Service	1



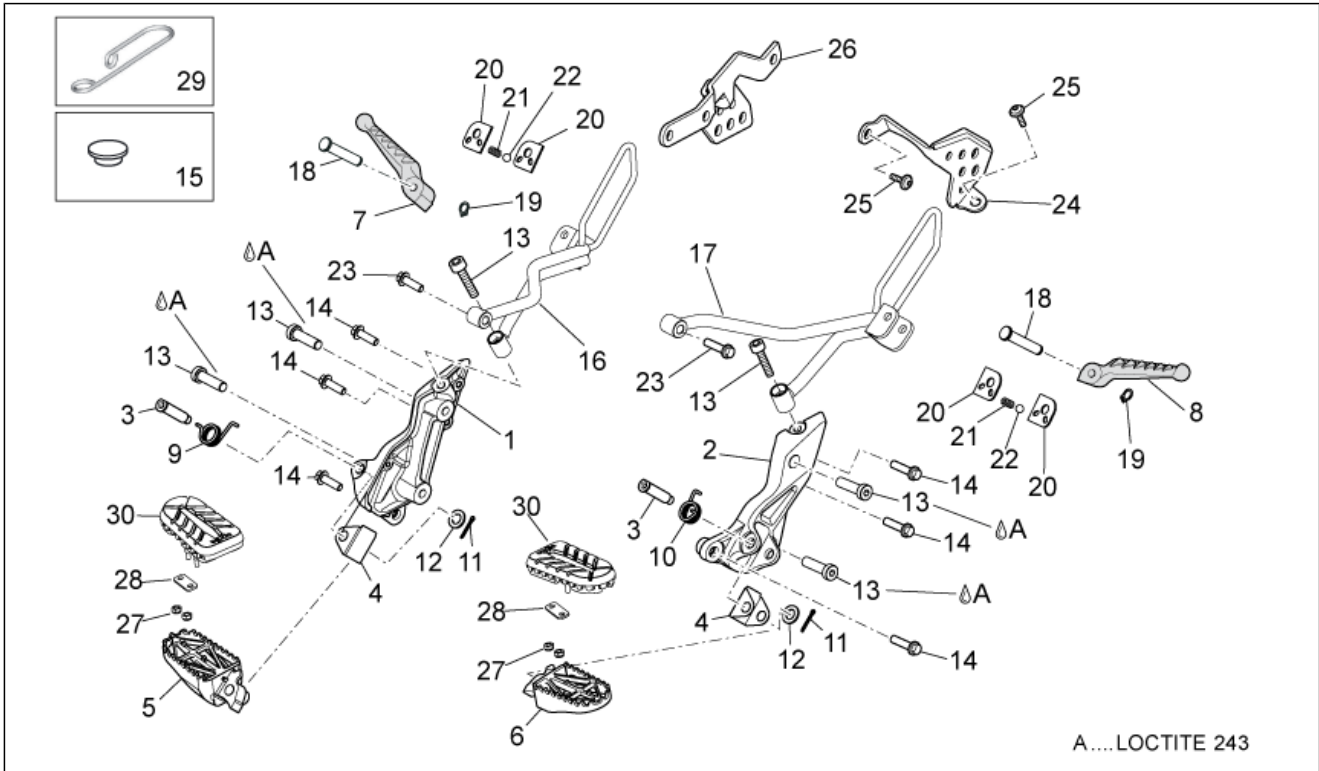
Pos.	Code	Description	Qty	Variants
1	851784	Engine pin	3	
2	AP8150548	Flanged nut M12	3	
3	AP8150101	Washer 13x24x2,5*	3	
4	853036	Spacer	2	
5	896014	Spacer	1	
6	AP8120422	Black hose 98x2*	2	
7	AP8120657	Hose clamp	3	
8	AP8102386	Hose clamp 155x2	1	
9	AP8144616	Rivet, female	2	
10	897010	Air box protection	1	
11	AP8144563	Rivet, male	2	

Group	FRAME
Code	28.03
Description	Saddle support
Service	1



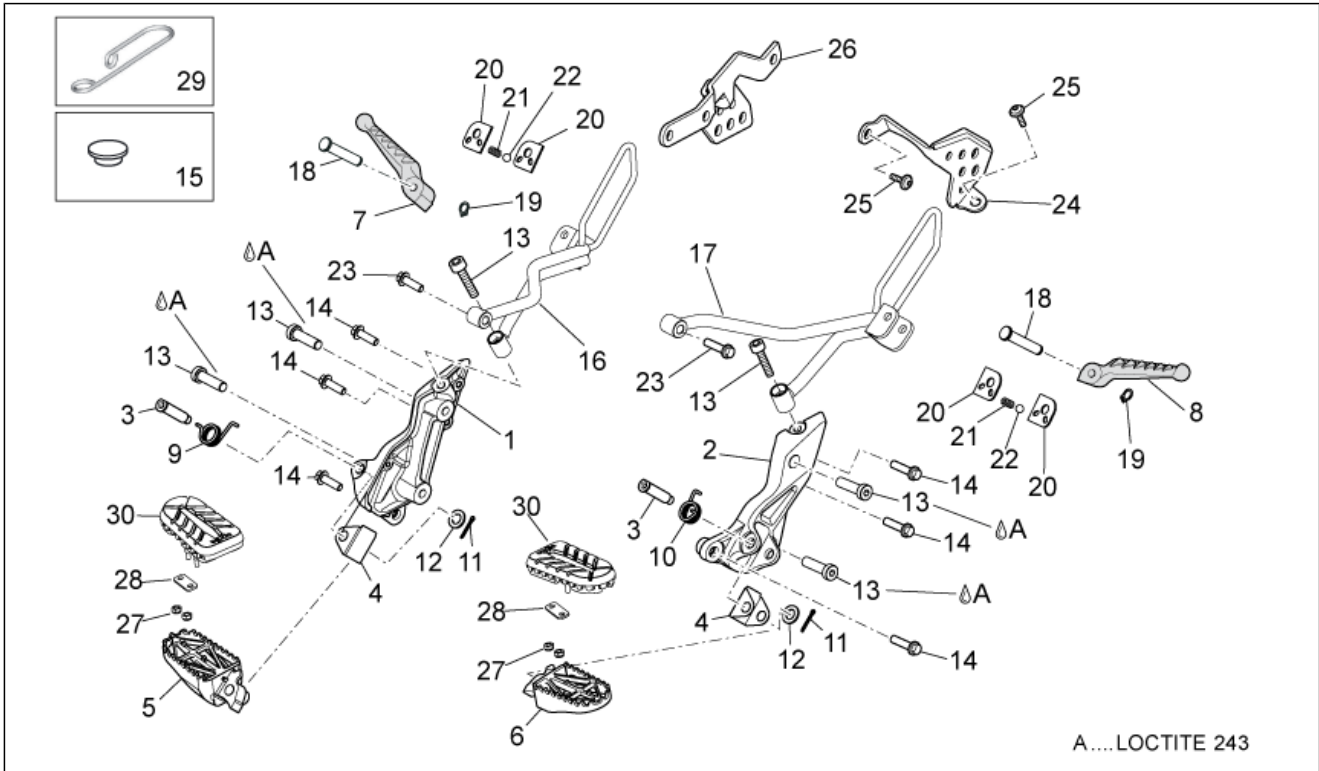
Pos.	Code	Description	Qty	Variants
1	896002	Saddle support	1	
2	895915	Hex socket screw	4	
3	AP8201755	Threaded rivet	4	
4	AP8150444	Self-tapping screw	2	
5	AP8102671	Plastic rivet	2	
6	896675	Wiring harness support	4	
7	896331	Saddle mounting front beam	1	
8	860909	Bush	2	
9	AP8150046	Hex socket screw M8x55	1	
10	478761	Hex socket screw	1	
11	854962	Spacer	1	
12	AP8152300	Self-locking nut M8	1	
13	890638	Hex socket screw	2	
14	AP8150017	Washer 8,4x16x1,6	2	
15	AP8152350	Nut	2	
16	898025	Pillion seat strap	1	
17	890486	Plate	4	
18	AP8150044	Hex socket screw M6x20	2	
19	AP8150115	Low self-locking nut M6	2	

Group	FRAME
Code	28.04
Description	Foot rests
Service	1



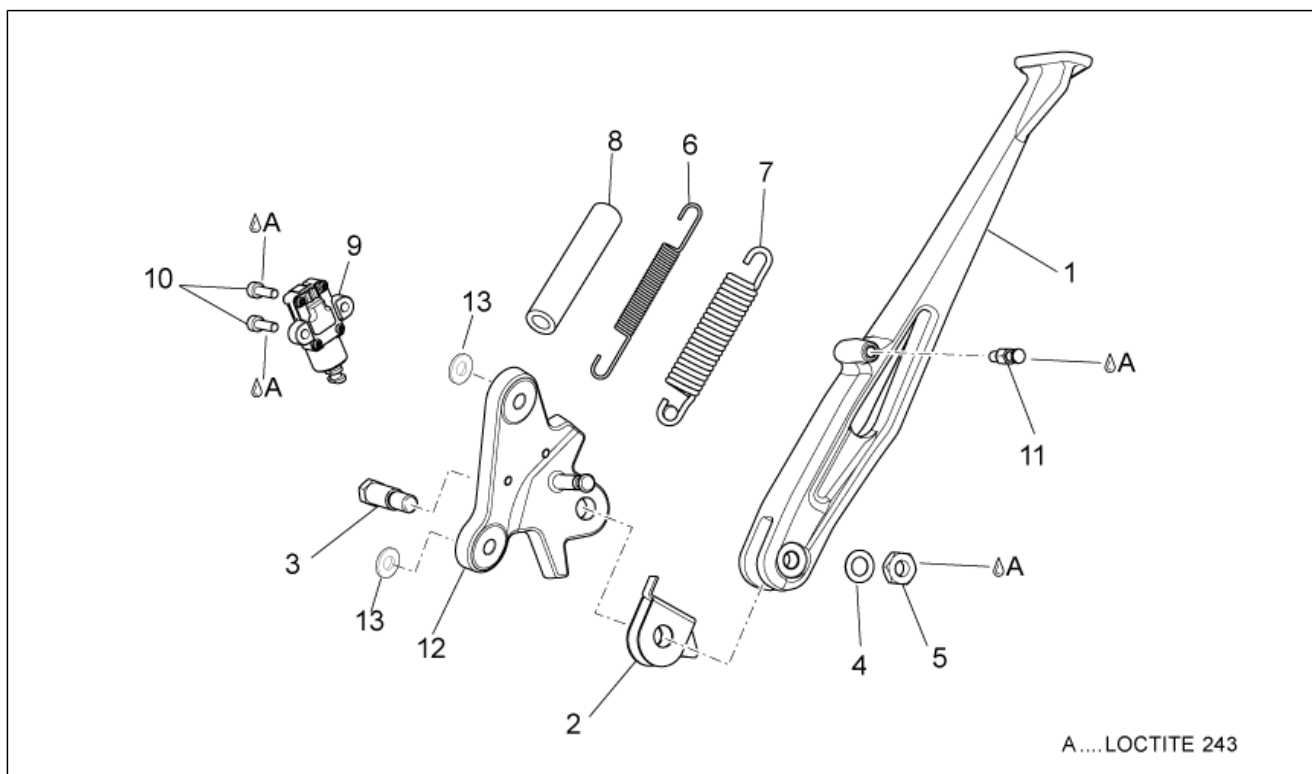
Pos.	Code	Description	Qty	Variants
1	856779	RH foot rest support	1	
1	B046059	LH footrest support	1	
2	856780	LH footrest support	1	
2	B046060	LH footrest support	1	
3	AP9100197	Pin	2	
4	859921	Footrest plate	2	
5	896664	RH footrest	1	
6	896665	LH footrest	1	
7	AP8146405	Rear footrest, RH	1	
8	AP8146406	Rear footrest, LH	1	
9	AP9100196	Spring RH	1	
10	AP9100195	Spring LH	1	
11	AP8201431	Split pin *	2	
12	AP8152176	Washer 10,5X18X2*	2	
13	AP8150236	Hex socket screw M8x35	5	
14	AP8152278	Screw w/ flange M6x16	2	
14	AP8152279	Screw w/ flange M6x20	4	
15	AP8102600	Cover	1	
16	896936	RH footrest support	1	
17	896940	LH footrest support	1	
18	CM228401	Footrest pin	2	
19	AP8120573	Stop ring	2	
20	AP8134451	Footrest plate	4	
21	AP8121133	Coil compress. spring	2	
22	AP8101861	Ball D6,35	2	
23	AP8152289	Screw w/ flange	1	
24	860987	LH protection	1	
25	AP8152055	Hex socket screw M8x12	2	

Group	FRAME
Code	28.04
Description	Foot rests
Service	1



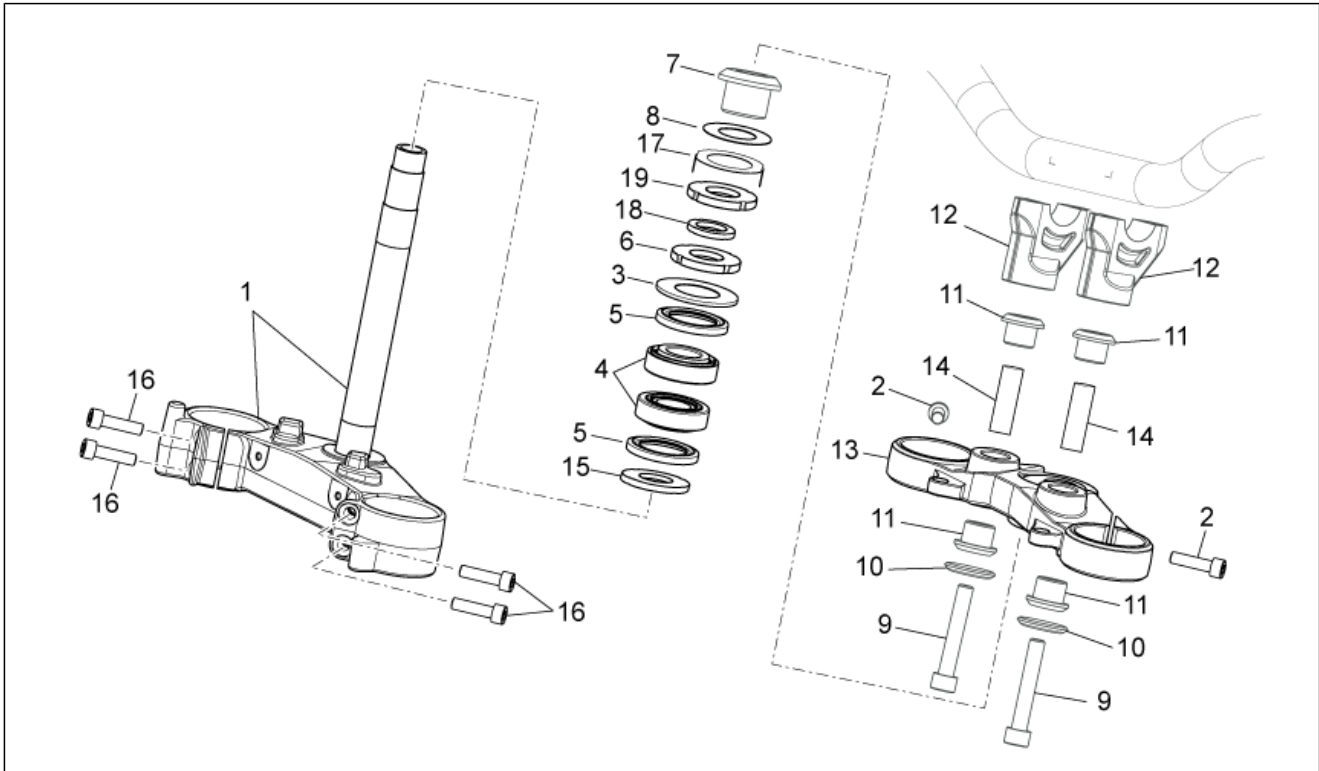
Pos.	Code	Description	Qty	Variants
26	890164	RH protection	1	
27	AP8150451	Low self-locking nut	4	
28	890243	Footrest plate	2	
29	899075	Fairlead	1	
30	898639	Footrest rubber	2	

Group	FRAME
Code	28.05
Description	Central stand
Service	1



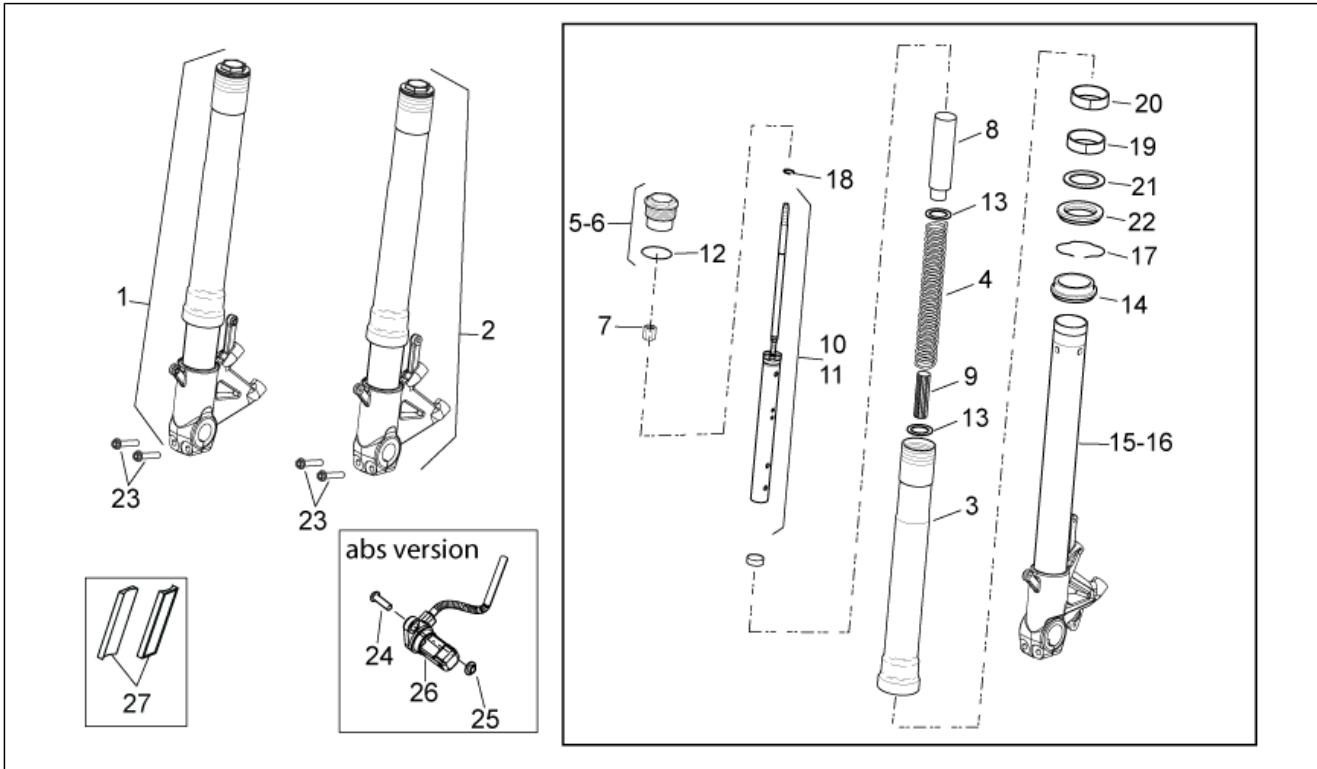
Pos.	Code	Description	Qty	Variants
1	858508	Lateral stand	1	
2	858509	Lateral stand plate	1	
3	AP8161119	Stand pin	1	
4	AP8150292	Curved spring washer *	1	
5	AP8152001	Low nut M10x1,25	1	
6	AP9100669	Inner spring	1	
7	AP9100668	Outer spring	1	
8	AP8102524	Stand spring protection	1	
9	AP8127856	Lateral stand switch	1	
10	AP8150050	Hex socket screw M5x16	2	
11	860905	Pin	1	
12	858507	Stand plate	1	
13	AP8150018	Washer	2	

Group	FRAME
Code	28.06
Description	Steering
Service	1



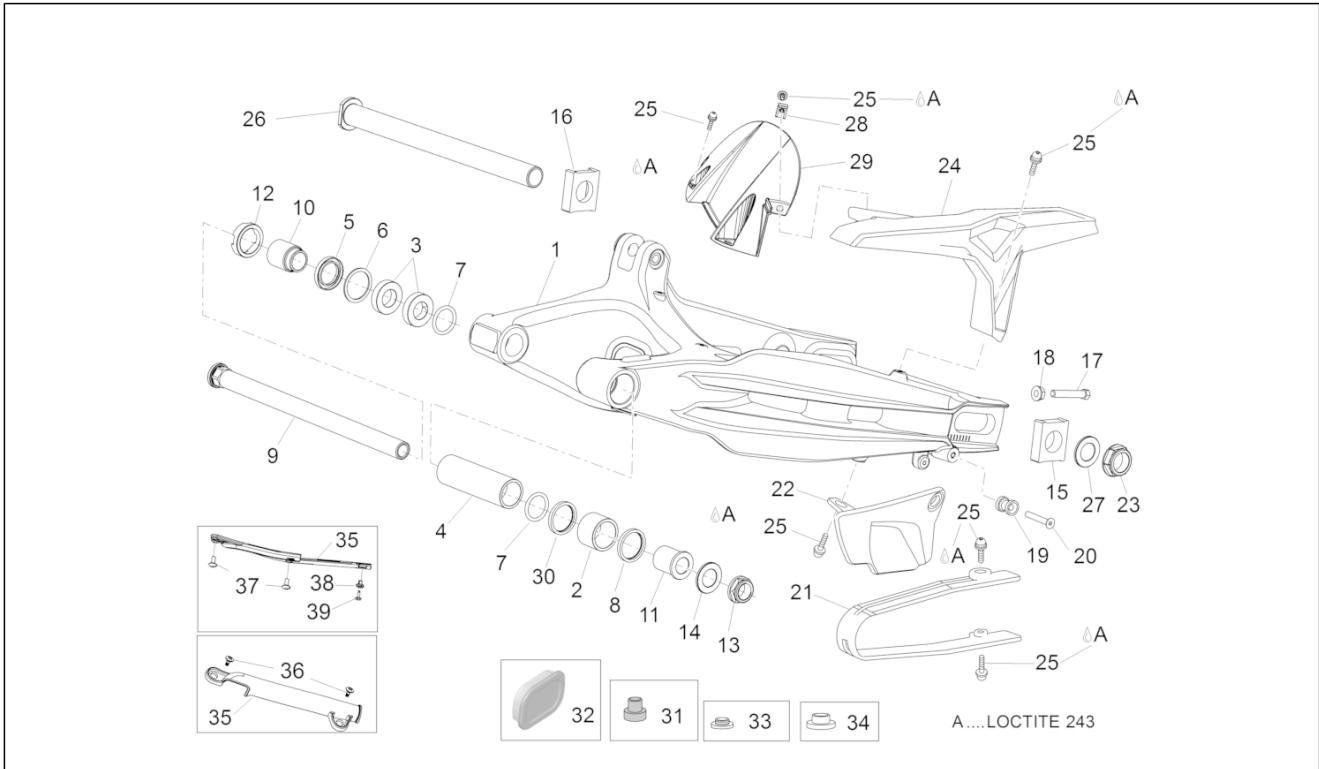
Pos.	Code	Description	Qty	Variants
1	896330	***STEERING COLUMN CONTROL	1	
2	AP8150540	Screw	2	
3	AP8123644	Dust cover ring	1	
4	896678	Bearing	2	
5	896260	Dust cover ring	2	
6	897625	Ring nut	1	
7	896327	***CAP NUT	1	
8	896961	Flat washer	1	
9	AP8150049	screw M10x60	2	
10	AP8123511	Cup	2	
11	AP8144222	Rubber spacer	4	
12	898419	***HANDLEBARS CASE	2	
13	896338	***FORK UPPER SUPPORT	1	
14	854827	Spacer 10,1x14,1x38	2	
15	897626	Washer	2	
16	AP8150236	Hex socket screw M8x35	4	
17	896684	Safety plate	1	
18	896685	Rubber washer	1	
19	896683	Ring nut	1	

Group	FRAME
Code	28.07
Description	Front fork
Service	1



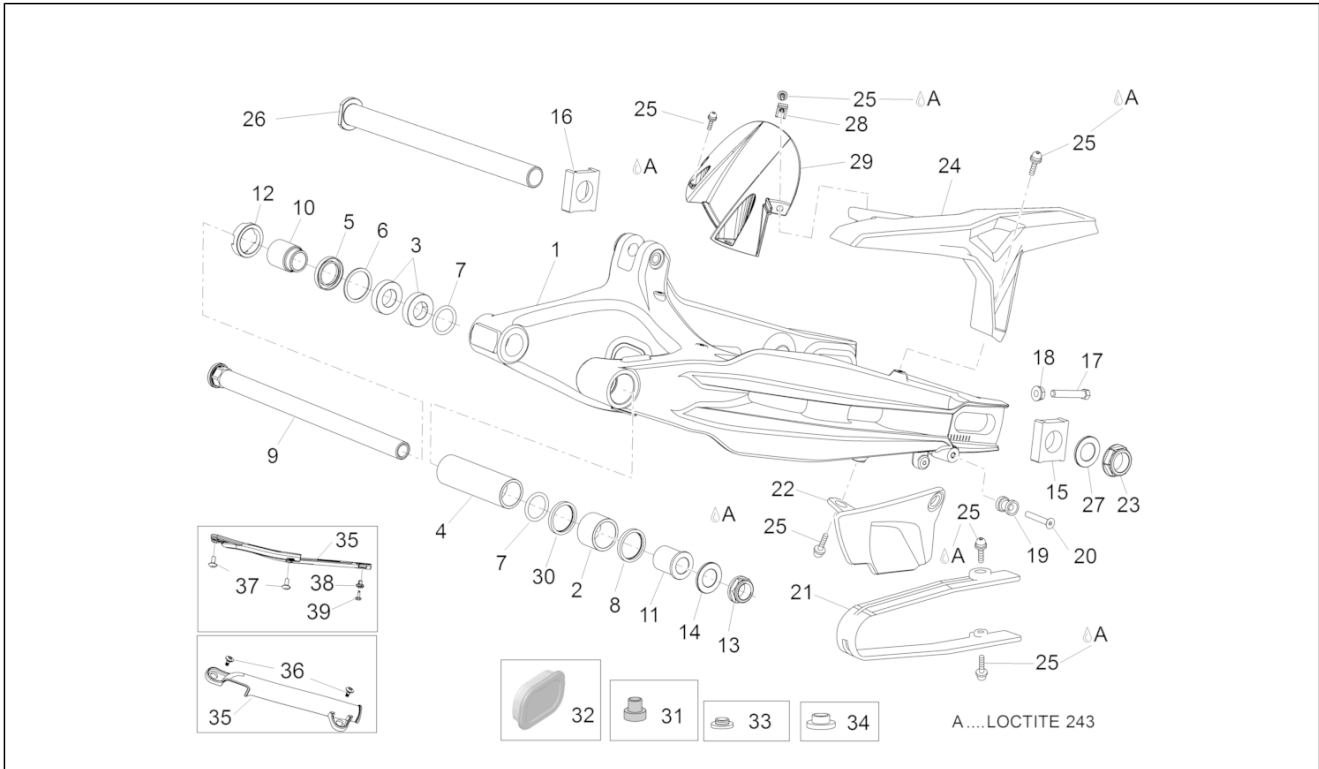
Pos.	Code	Description	Qty	Variants
1	896007	RH hub cpl.	1	
2	896008	LH hub cpl.	1	
3	897328	Sleeve	2	
4	897329	Spring	2	
5	897330	LH sleeve plug	1	
6	897348	RH sleeve plug	1	
7	897331	Nut	2	
8	897332	Preload tube	2	
9	897333	Spring guide	2	
10	897334	LH plunger, complete	1	
11	897349	RH plunger, complete	1	
12	897335	O-ring	2	
13	897336	Washer	4	
14	897337	Dust cover	2	
15	897338	Hub+LH fork leg	1	
16	897350	Hub+RH fork leg	1	
17	897339	Circlip	2	
18	897340	Stop ring	2	
19	897341	Spring guide bush	2	
20	897342	Bush	2	
21	897343	Special washer	2	
22	897344	Oil seal	2	
23	AP8152283	Screw w/ flange	4	
24	AP8152273	Screw w/ flange M5x16	1	Technical specification:ABS Version[ABS]
25	AP8152306	Self-locking nut m5	1	Technical specification:ABS Version[ABS]
26	859792	Sensor ABS	1	Technical specification:ABS Version[ABS]
27	GU05781630	Reflector, amber	2	Country:Russia[RU]

Group	FRAME
Code	28.08
Description	Swing arm
Service	1



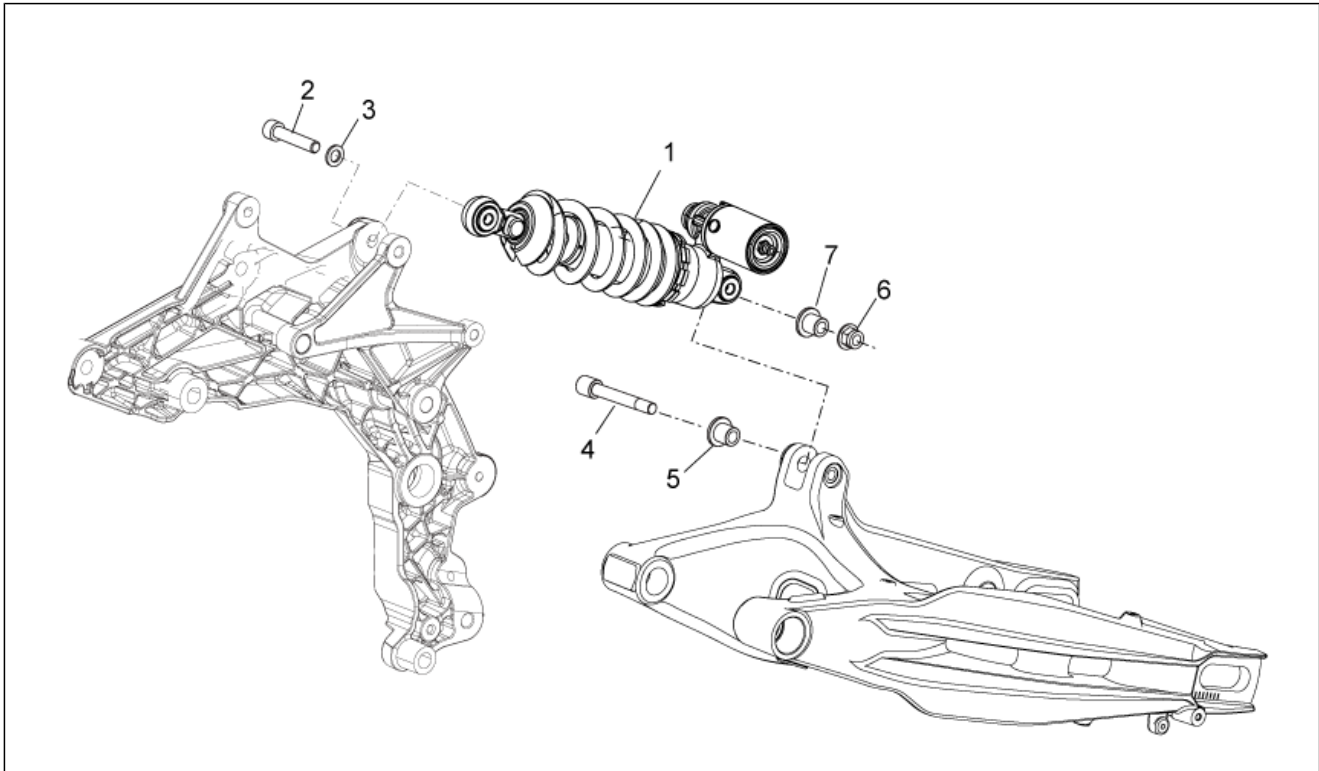
Pos.	Code	Description	Qty	Variants
1	85623200XES	Swingarm	1	
2	AP8110078	Cage à rouleaux	1	
3	890002	Ball bearing 61904-2RS1	2	
4	AP8121570	Internal spacer	1	
5	AP8144006	Gasket ring	1	
6	AP8121204	Inside circlip d37	1	
7	AP8144048	O-ring 134	2	
8	AP8144005	Gasket ring	1	
9	AP8146520	Rear swing arm pin	1	
10	AP8121200	Adjustment bush	1	
11	AP8121203	Rear int.sw.arm piv.bush	1	
12	AP8121201	Swing arm ring nut	1	
13	AP8125763	Rear wheel spindle nut	1	
14	AP8125687	Wheel pin washer	1	
15	AP8144443	LH chain guide plate	1	
16	AP8144444	RH chain guide plate	1	
17	AP8152305	Chain tens.adjuster screw	2	
18	AP8150334	Nut M8	2	
19	AP8121890	Rear stand bush	2	
20	255638	screw	2	
21	AP8144168	Chain guide plate	1	
22	859929	Chain guide plate	1	
23	AP8152324	Wheel spindle nut M25x1,5	1	
24	856787	Chain guard	1	
25	AP8150500	Hex socket screw M5x9	7	
26	AP8125831	Rear wheel spindle	1	
27	AP8152323	Washer 25,2x36x1	1	
28	AP8102375	Clip m5	1	

Group	FRAME
Code	28.08
Description	Swing arm
Service	1



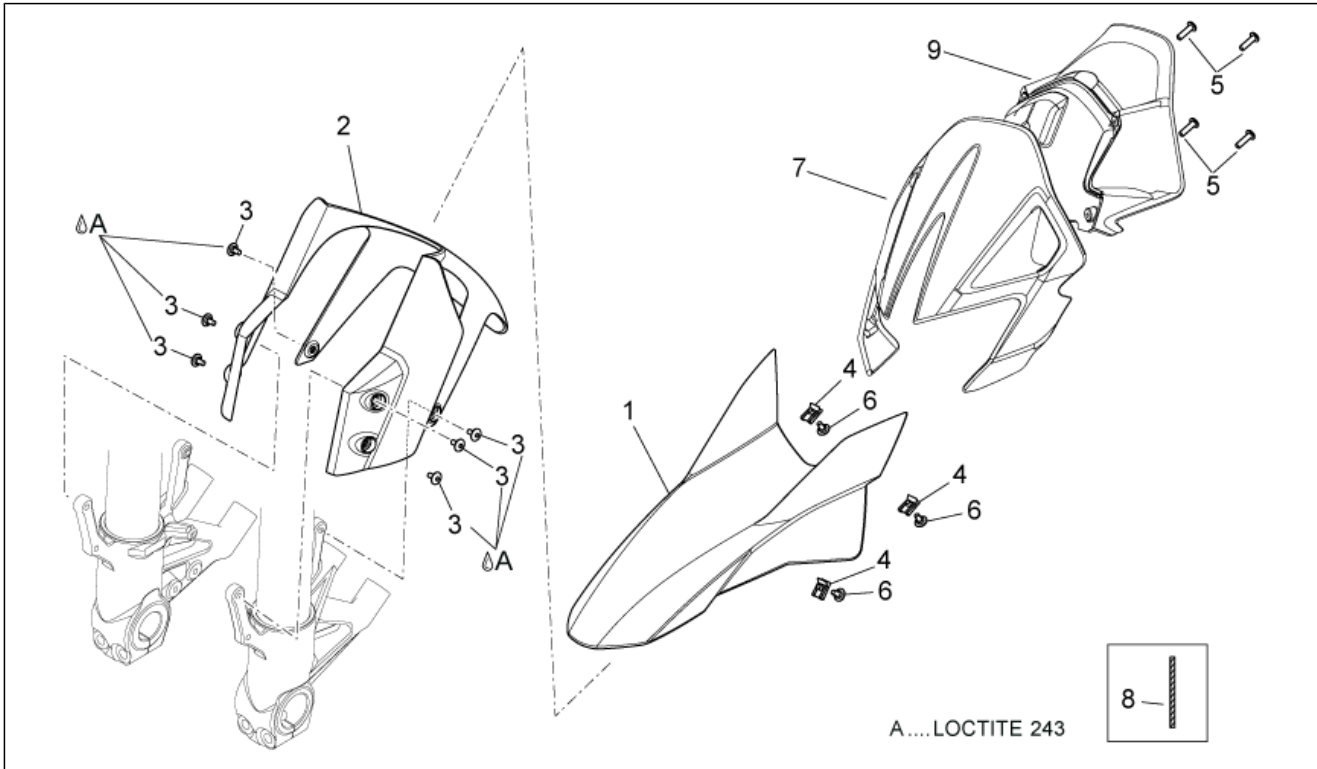
Pos.	Code	Description	Qty	Variants
29	859764	Rear mudguard	1	
30	890126	Gasket ring	1	
31	AP8144158	Rubber spacer	2	
32	860898	Cover	1	
33	860899	Cover	2	
34	860900	Cover	2	
35	895349	Brake hose protection	1	Technical specification: Standard Version[std]
35	B045805	Brake hose protection	1	Technical specification: ABS Version[ABS]
36	AP8150500	Hex socket screw M5x9	2	
37	893132	screw	2	
38	AP8202058	Plastic rivet, black	1	
39	AP8150413	Self-tap screw 3,9x14	1	

Group	FRAME
Code	28.09
Description	Rear shock absorber
Service	1



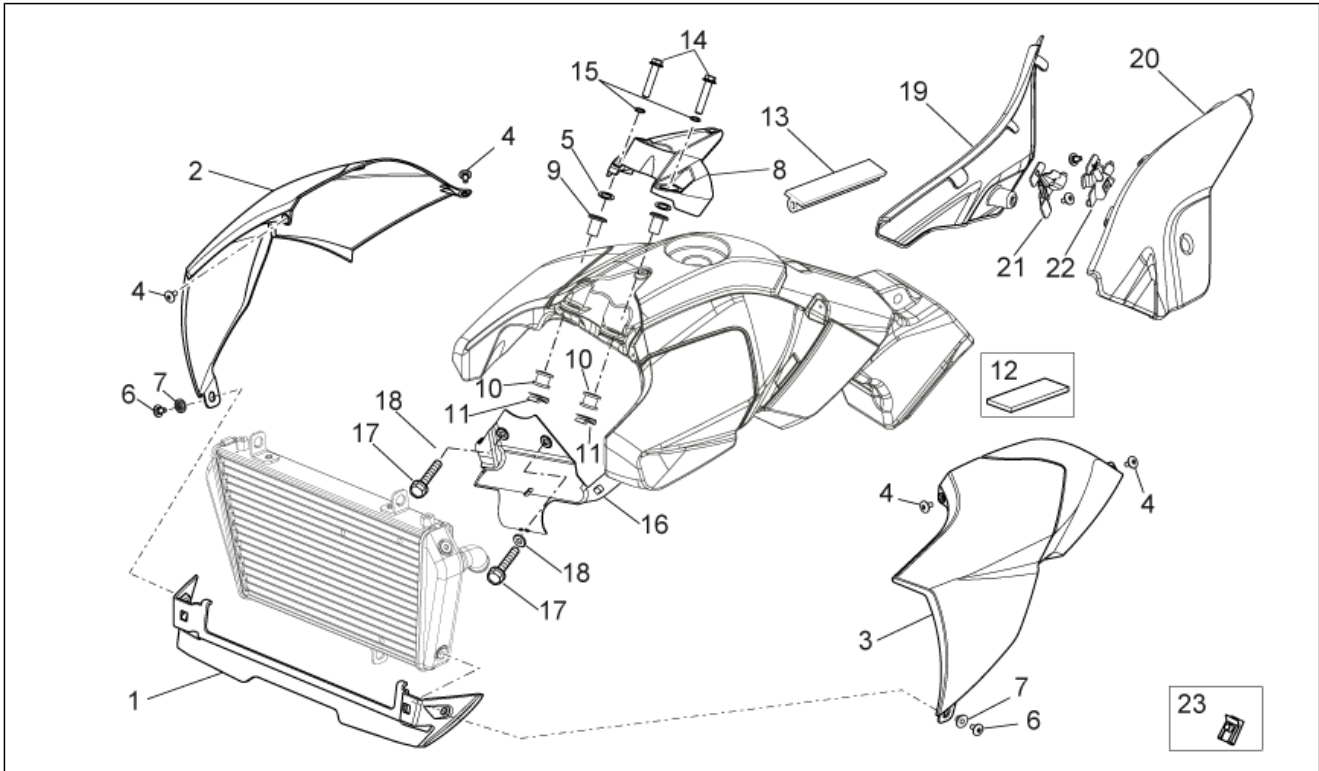
Pos.	Code	Description	Qty	Variants
1	898113	Rear shock absorber	1	
2	AP8150329	Hex socket screw	1	
3	AP8152176	Washer 10,5X18X2*	2	
4	AP8150192	Hex socket screw M10x80	1	
5	860662	Ring nut	1	
6	AP8152301	Self-locking nut	1	
7	AP8121155	T bush *	1	

Group	FRAME
Code	28.10
Description	Front body - Front mudguard
Service	1



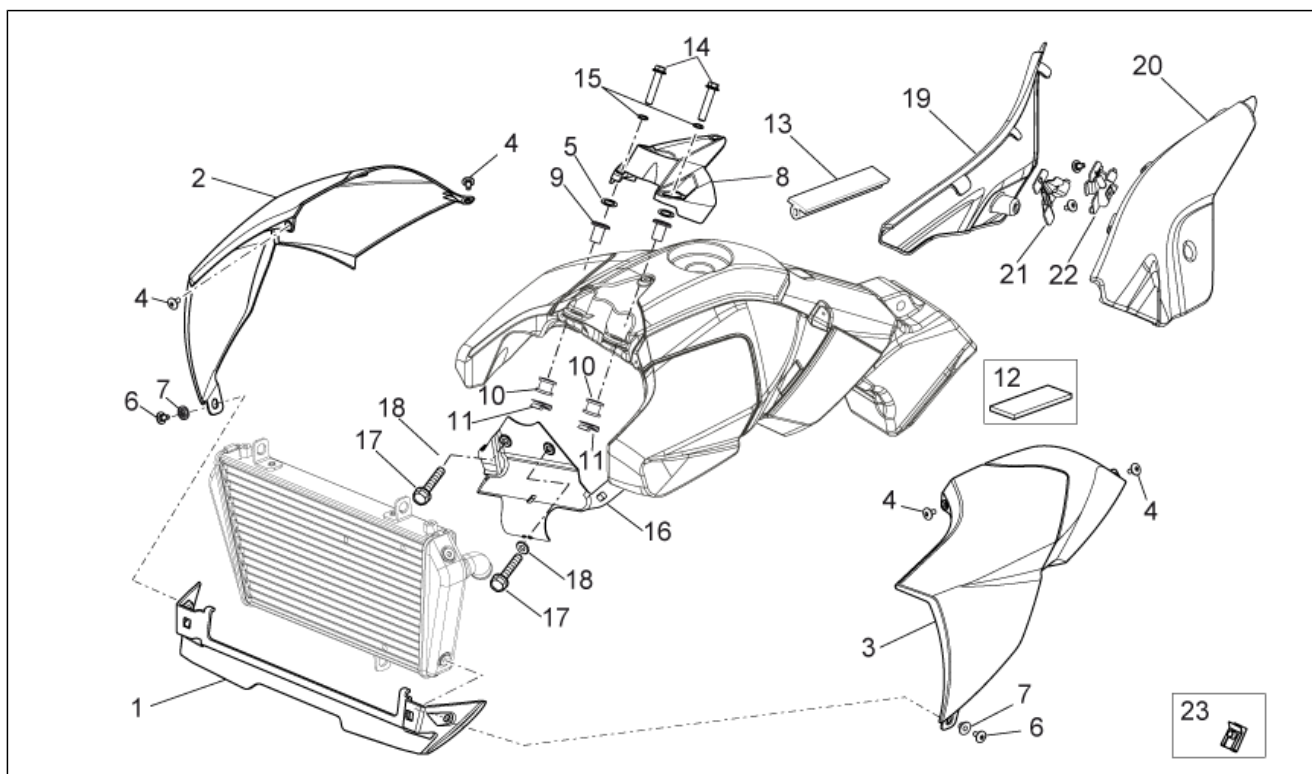
Pos.	Code	Description	Qty	Variants
1	85684900XN6	Front mudguard, black	1	Year: 2010[A], 2011[B] Vehicle colour: Aprilia Black 2010-2011 (t.s.:898110)[bl], Glam White 2010-2011 (t.s.:898110)[glam] Technical specification: Without decals applied[ND]
1	B044270	Front mudguard	1	Year: 2012[C] Vehicle colour: photoengraved[F], Fluor red 2012 (t.s.B044282)[fluo], Glam White 2012 (t.s.B044282)[white] Technical specification: Without decals applied[ND]
2	856850	Low mudguard	1	
3	AP8150500	Hex socket screw M5x9	6	
4	AP8102375	Clip m5	3	
5	AP8150413	Self-tap screw 3,9x14	4	
6	AP8152302	Screw w/ flange M5x12	3	
7	894876	Number plate	1	Technical specification: Without decals applied[ND]
8	AP8117033	Adhesive sponge	2	
9	894878	Deflector	1	Country: europe[EU]
9	899561	Deflector	1	Country: United States of America[USA]

Group	FRAME
Code	28.11
Description	Central body
Service	1



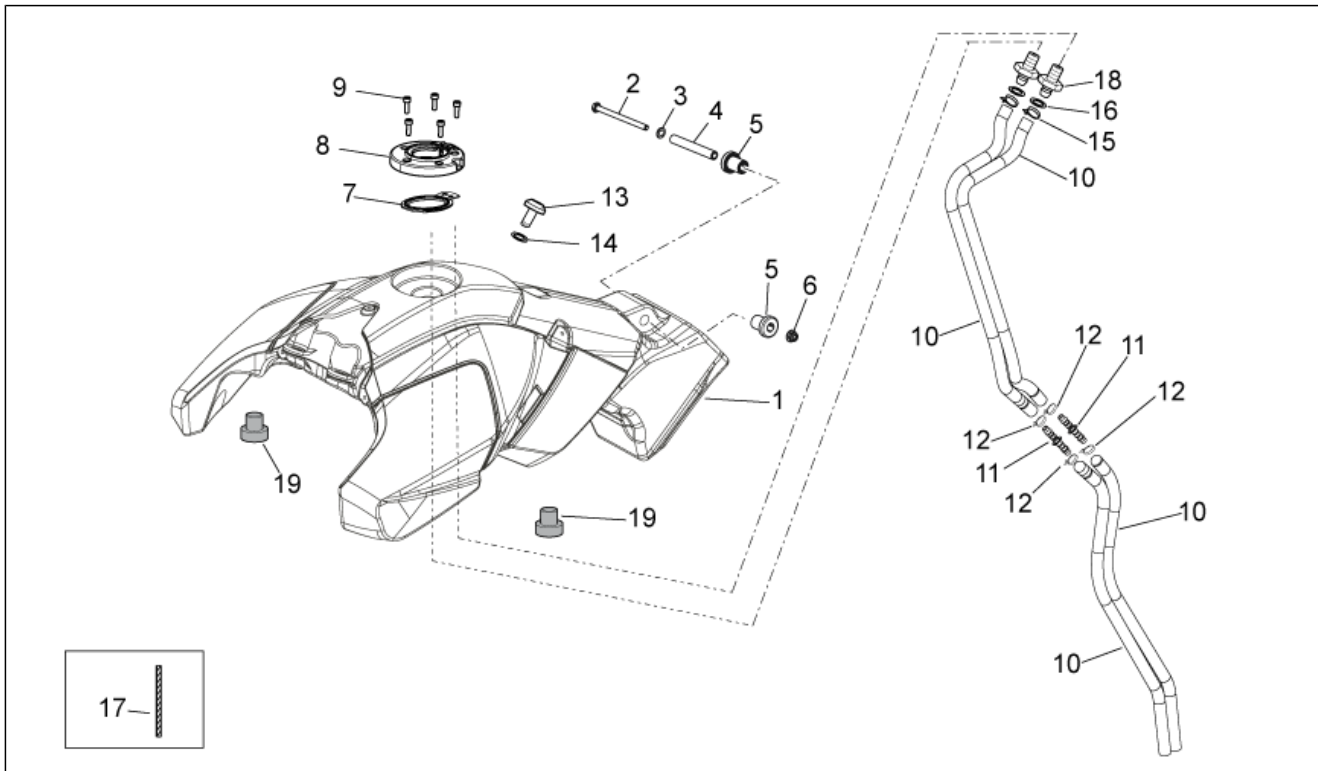
Pos.	Code	Description	Qty	Variants
1	894888	Air duct	1	
2	89688300BM	RH side panel, white	1	Year:2010[A], 2011[B] Vehicle colour:Glam White 2010-2011 (t.s.:898110)[glam] Technical specification:With decals applied[D]
2	89688300XN5	RH body panel with decal	1	Year:2010[A], 2011[B] Vehicle colour:Aprilia Black 2010-2011 (t.s.:898110)[bl] Technical specification:With decals applied[D]
2	B04430300XN2	RH side panel, black	1	Year:2012[C] Vehicle colour:Fluor red 2012 (t.s.B044282)[fluo] Technical specification:With decals applied[D]
2	B04430700XN2	RH side panel, black	1	Year:2012[C] Vehicle colour:Glam White 2012 (t.s.B044282)[white] Technical specification:With decals applied[D]
3	89688400BM	LH side panel, white	1	Year:2010[A], 2011[B] Vehicle colour:Glam White 2010-2011 (t.s.:898110)[glam] Technical specification:With decals applied[D]
3	89688400XN5	LH body panel with decal	1	Year:2010[A], 2011[B] Vehicle colour:Aprilia Black 2010-2011 (t.s.:898110)[bl] Technical specification:With decals applied[D]
3	B04430400XN2	LH side panel, black	1	Year:2012[C] Vehicle colour:Fluor red 2012 (t.s.B044282)[fluo] Technical specification:With decals applied[D]
3	B04430800XN2	LH side panel, black	1	Year:2012[C] Vehicle colour:Glam White 2012 (t.s.B044282)[white] Technical specification:With decals applied[D]
4	AP8150500	Hex socket screw M5x9	6	
5	AP8150016	Washer 6,6x18x1,6	2	
6	AP8152246	Screw w/ flange M6x16	2	
7	AP8120253	Spacer	2	
8	894883	Ignition cover	1	
9	AP8121718	Headlight bush	2	
10	AP8144328	Rubber spacer	2	

Group	FRAME
Code	28.11
Description	Central body
Service	1



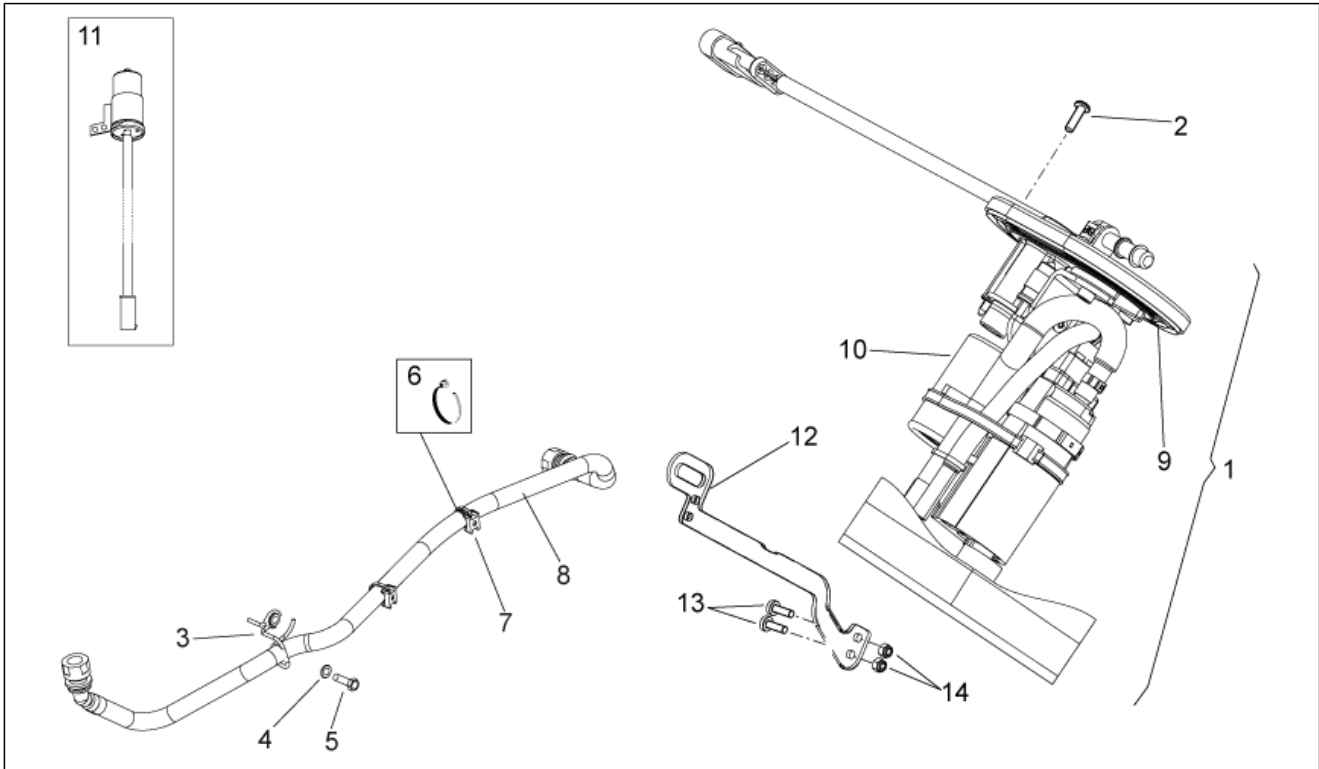
Pos.	Code	Description	Qty	Variants
11	254485	Spring plate M6	2	
12	AP8117033	Adhesive sponge	2	
13	AP8117275	Heat protection gasket	2	
14	AP8152281	Screw w/ flange M6x30	2	
15	AP8152037	Washer	2	
16	895205	***CROSS RR TUBE	1	
17	AP8152277	Screw w/ flange M6x12	2	
18	AP8121991	Bush	2	
19	899235	RH heat protection	1	
20	899236	LH heat protection	1	
21	899346	RH support	1	
22	899347	LH support	1	
23	AP8102375	Clip m5	2	

Group	FRAME
Code	28.12
Description	Fuel tank
Service	1



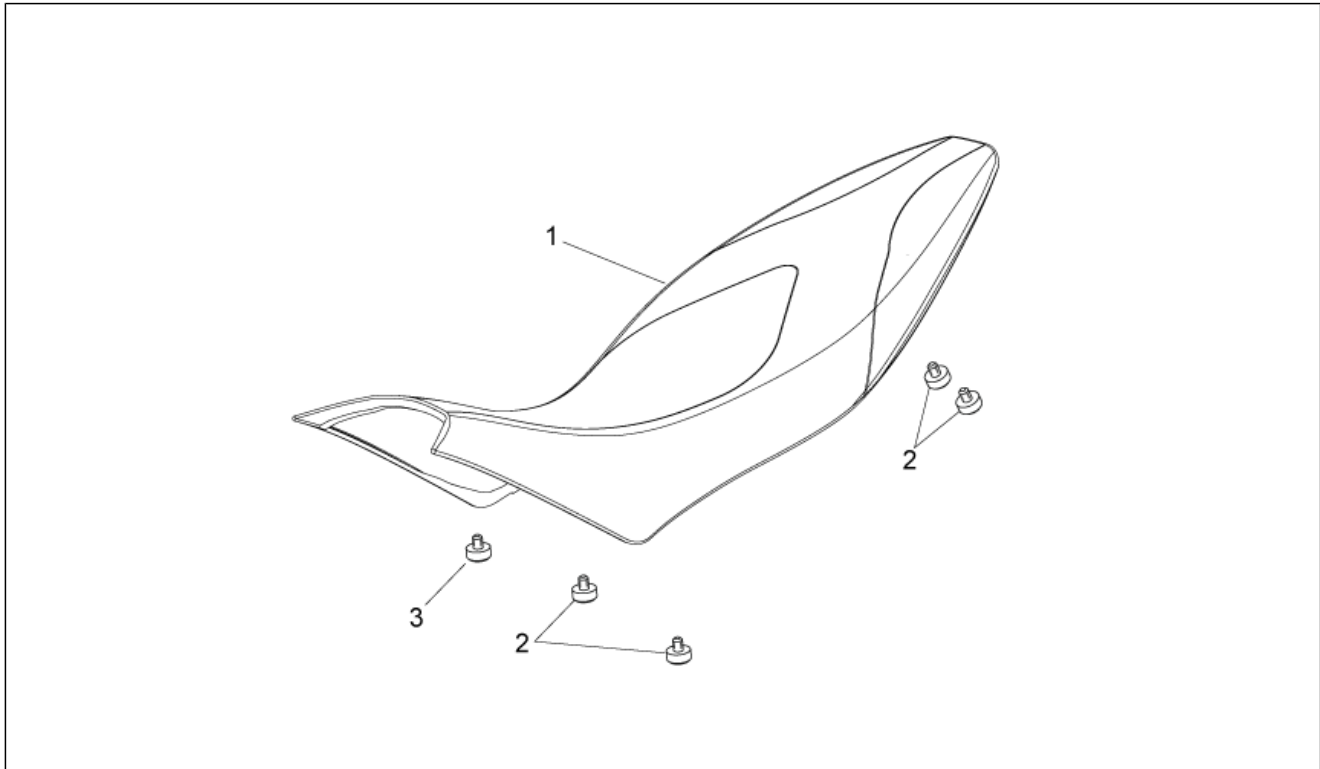
Pos.	Code	Description	Qty	Variants
1	89476300XNC	Fuel tank, black	1	
2	AP8150459	Hex screw M6x90	1	
3	AP8150014	Washer 6,4x12,5*	1	
4	AP8134419	Fuel tank bush	1	
5	AP8123934	Rubber spacer	2	
6	AP8152299	Self-locking nut M6	1	
7	856846	Fuel tank gasket	1	Country:europa[EU]
7	890755	Fuel tank gasket	1	Country:United States of America[USA]
8	860237	Ring nut fuel filler cap	1	
9	895709	Hex socket screw M5x12	5	
10	AP8120952	Fuel pipe 5,5x10	4	
11	AP8101944	2-way union	2	
12	AP8102377	Hose clamp D9,1*	4	
13	AP8161127	Fixing pin	1	
14	AP8150255	Washer 5x20x1,5	1	
15	AP8101595	Hose clamp D10,1	2	
16	AP8120965	O-ring 2018	2	
17	AP8117033	Adhesive sponge	2	
18	AP8102503	Hose holder union	2	
19	AP8144158	Rubber spacer	2	

Group	FRAME
Code	28.13
Description	Fuel pump
Service	1



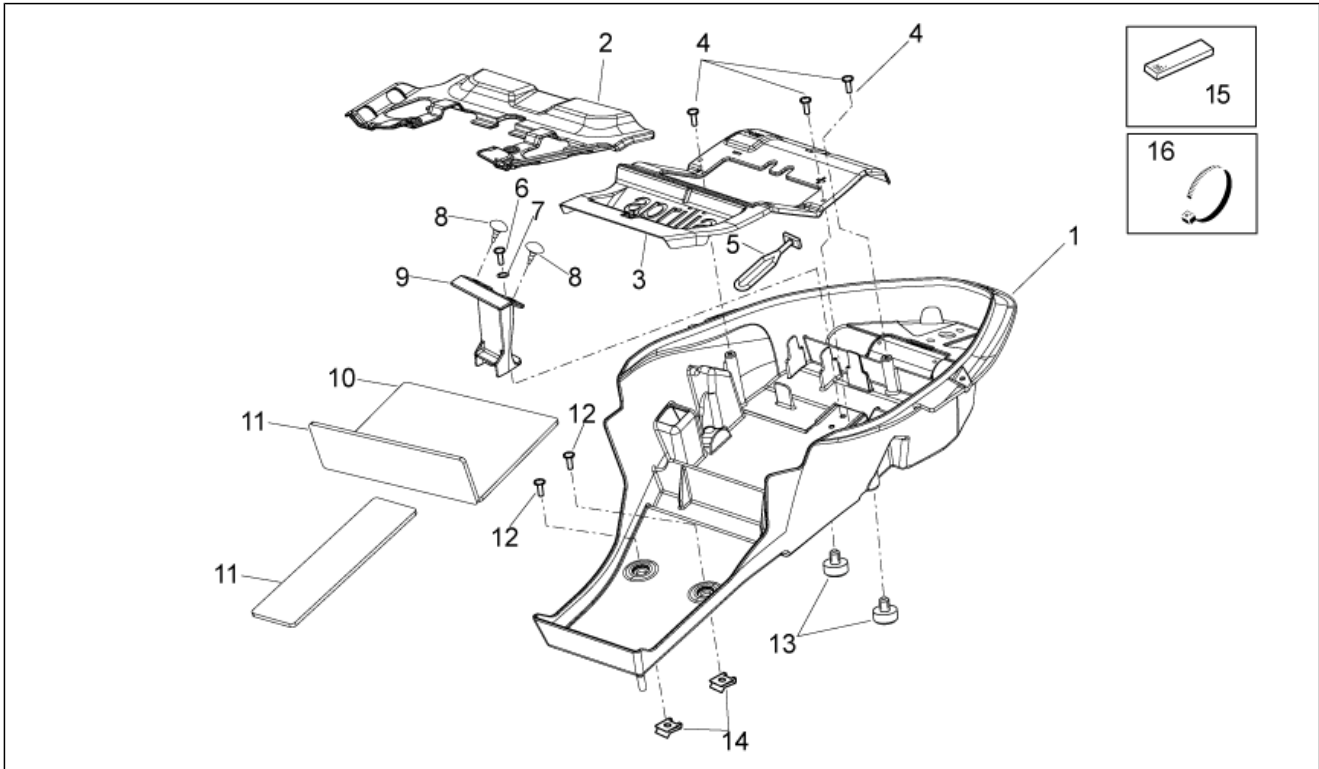
Pos.	Code	Description	Qty	Variants
1	894785	Fuel intake unit	1	Country:United States of America[USA]
1	B043926	Fuel pump cpl.	1	Country:europe[EU]
2	AP8152273	Screw w/ flange M5x16	6	
3	AP8181139	Fairlead	1	
4	AP8152181	Washer 6,4x15x1	1	
5	AP8152278	Screw w/ flange M6x16	1	
6	AP8102386	Hose clamp 155x2	2	
7	896675	Wiring harness support	2	
8	894671	Fuel pipe, cpl.	1	
9	GU01107490	Gasket	1	
10	GU01106090	Fuel filter	1	
11	899069	Fuel level sensor	1	
12	899487	Support bracket	1	
13	AP8121184	Screw M4x14	2	
14	AP8150204	Nut M4	2	

Group	FRAME
Code	28.14
Description	Saddle
Service	1



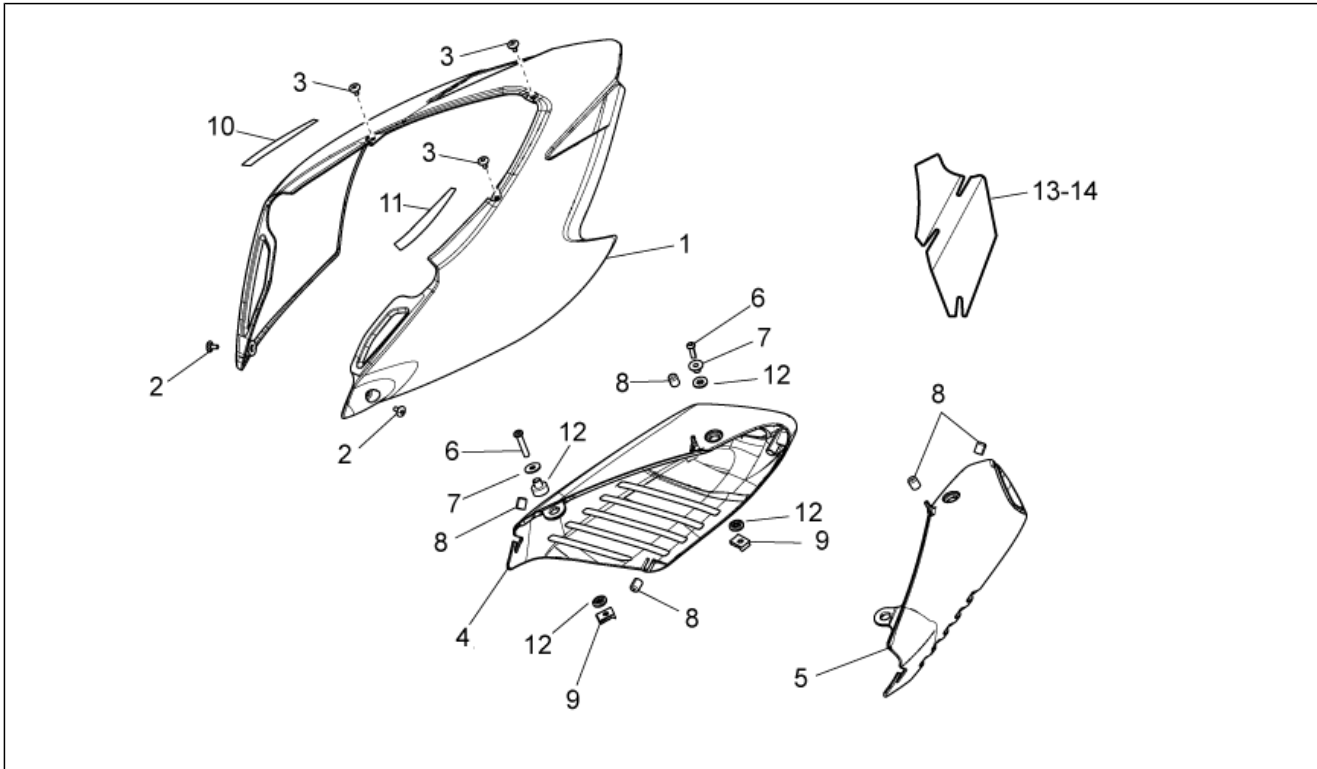
Pos.	Code	Description	Qty	Variants
1	89760900A1	Black/nabuk seat	1	Year:2010[A], 2011[B] Vehicle colour:Aprilia Black 2010-2011 (t.s.:898110)[bl], Glam White 2010-2011 (t.s.:898110)[glam]
1	89760900A2	Sahara/black seat	1	Year:2012[C] Vehicle colour:Fluor red 2012 (t.s.B044282)[fluo], Glam White 2012 (t.s.B044282)[white]
2	AP8220349	Rubber spacer	6	
3	AP8120001	Rubber spacer	1	

Group	FRAME
Code	28.15
Description	Rear body I
Service	1



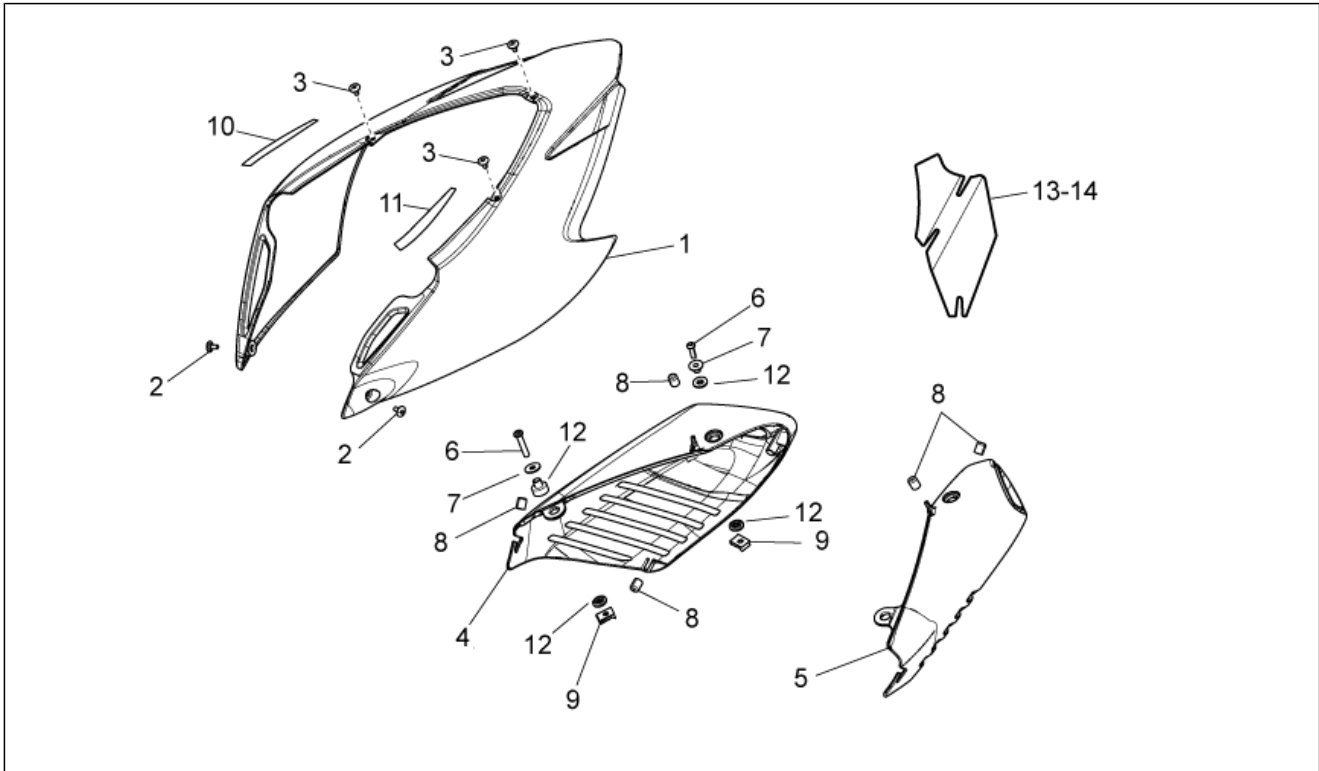
Pos.	Code	Description	Qty	Variants
1	894895	Case-battery huosing	1	
2	898091	***PROTECTION	1	
3	894897	Battery cover	2	
4	AP8150413	Self-tap screw 3,9x14	3	
5	AP8150444	Self-tapping screw	2	
6	AP8150509	Self-tap screw 5x14	1	
7	AP8150013	Washer 5,5x15x1,6*	1	
8	AP8220238	Rubber spacer	2	
9	895864	Battery bracket	1	
10	AP8144553	Support rubber part	1	
11	AP8144552	Support rubber part	2	
12	AP8152339	Screw w/ flange M5x9	2	
13	AP8220349	Rubber spacer	2	
14	AP8102375	Clip m5	2	
15	AP8144538	Gasket	1	
16	AP8120422	Black hose 98x2*	2	

Group	FRAME
Code	28.16
Description	Rear body II
Service	1



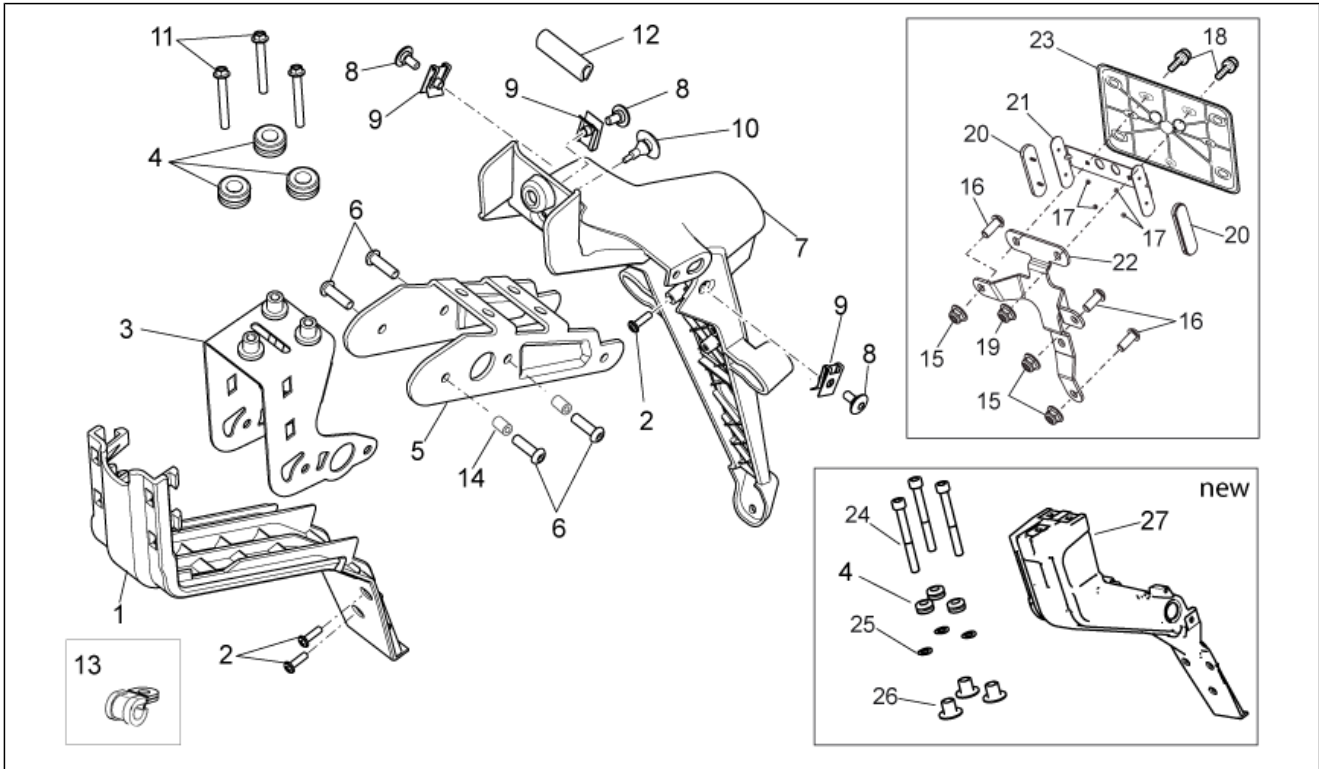
Pos.	Code	Description	Qty	Variants
1	89761000BM	Rear fairing, white	1	Year:2010[A], 2011[B] Vehicle colour:Glam White 2010-2011 (t.s.:898110)[glam] Technical specification:With decals applied[D]
1	89761000XN5	Rear fairing, Ap.Black	1	Year:2010[A], 2011[B] Vehicle colour:Aprilia Black 2010-2011 (t.s.:898110)[bl] Technical specification:With decals applied[D]
1	B04430500BM	Rear fairing, white	1	Year:2012[C] Vehicle colour:Glam White 2012 (t.s.B044282)[white] Technical specification:With decals applied[D]
1	B04430500XR4	Rear fairing, fluo red	1	Year:2012[C] Vehicle colour:Fluor red 2012 (t.s.B044282)[fluo] Technical specification:With decals applied[D]
2	AP8152339	Screw w/ flange M5x9	3	
3	AP8150509	Self-tap screw 5x14	3	
4	89489200XN6	Silencer dx protection	1	Year:2010[A], 2011[B] Vehicle colour:not photoengraved[N/F]
4	B043506	Silencer dx protection	1	Year:2012[C] Vehicle colour:photoengraved[F]
4	B04350600XN6	Silencer dx protection	1	Year:2010[A], 2011[B] Vehicle colour:photoengraved[F]
5	89489300XN6	Silencer sx protection	1	Year:2010[A], 2011[B] Vehicle colour:not photoengraved[N/F]
5	B043505	Silencer sx protection	1	Year:2012[C] Vehicle colour:photoengraved[F]
5	B04350500XN6	Silencer sx protection	1	Year:2010[A], 2011[B] Vehicle colour:photoengraved[F]
6	AP8224470	Hex socket screw M6x20	4	
7	AP8221341	T bush	4	
8	AP8120712	Rubber spacer	6	
9	254485	Spring plate M6	5	
10	860931	RH Guard decal	1	
11	860932	LH Guard decal	1	

Group	FRAME
Code	28.16
Description	Rear body II
Service	1



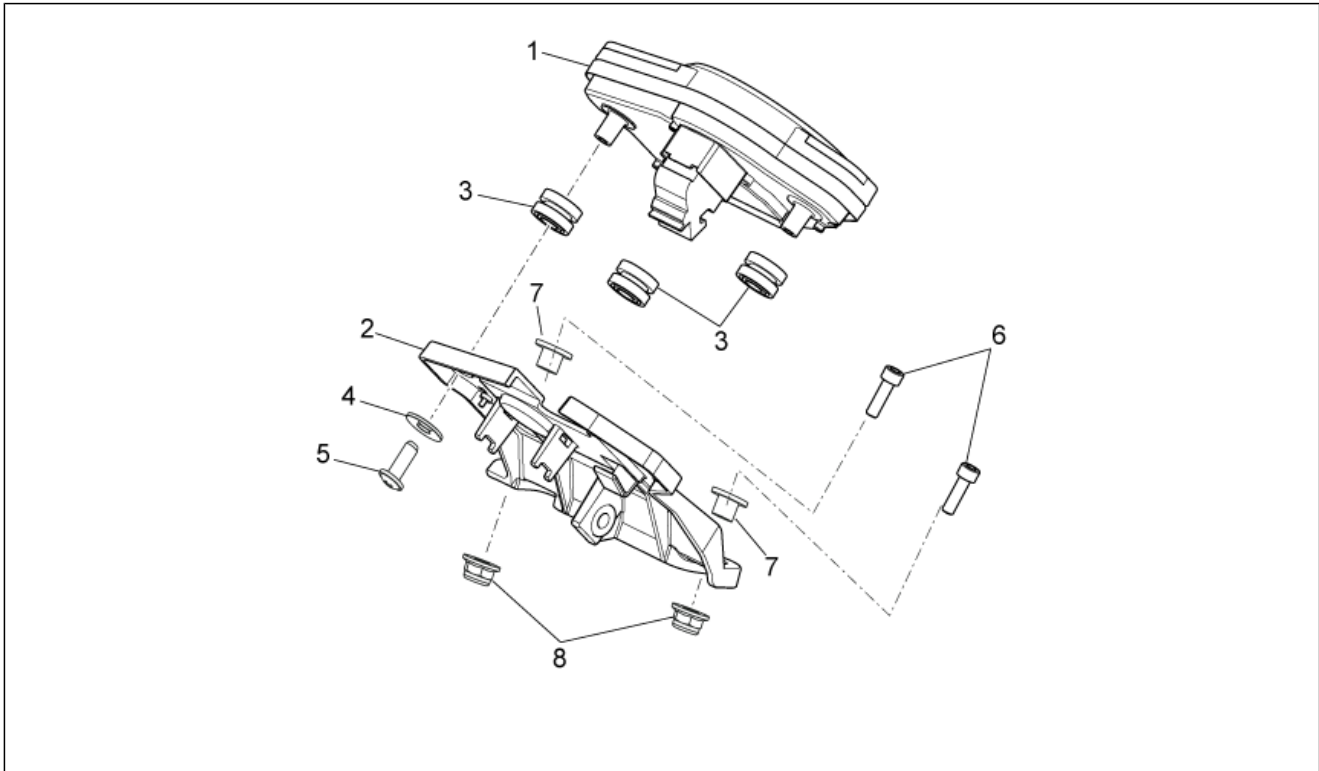
Pos.	Code	Description	Qty	Variants
12	AP8221340	T bush	4	
13	899367	Right heat shield	1	
14	899368	Left heat shield	1	

Group	FRAME
Code	28.17
Description	Rear body III
Service	1



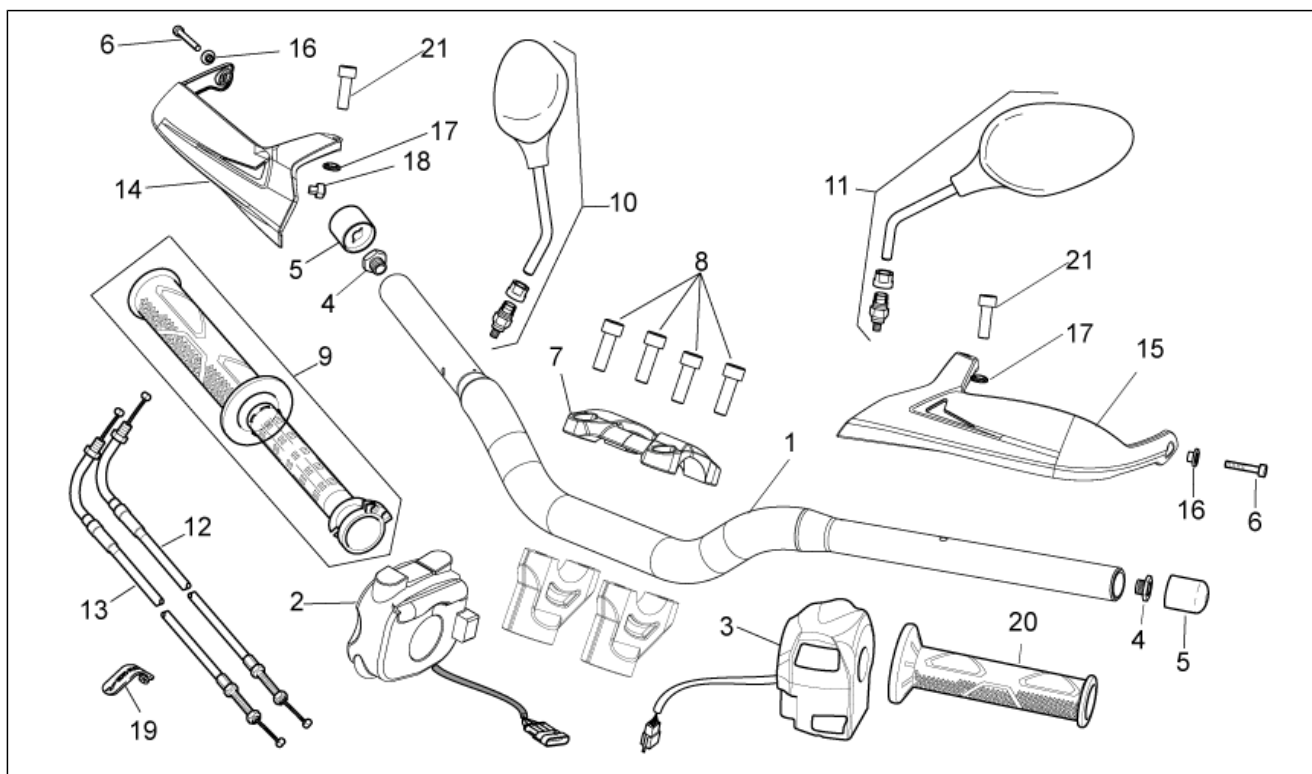
Pos.	Code	Description	Qty	Variants
1	896661	Covers	1	Year:2010[A], 2011[B]
2	AP8150413	Self-tap screw 3,9x14	3	
3	856680	Number plate holder support	1	Year:2010[A], 2011[B]
4	AP8120030	Rubber spacer	3	
5	859697	Reinforcement Plate	1	Year:2010[A], 2011[B]
6	AP8224470	Hex socket screw M6x20	4	Year:2010[A], 2011[B]
7	856827	Number plate holder	1	
8	AP8152339	Screw w/ flange M5x9	3	
9	AP8102375	Clip m5	3	
10	AP8120001	Rubber spacer	2	
11	AP8152284	Screw w/ flange	3	
12	AP8144707	Gasket	1	
13	AP8134167	Brake hose hanger	2	
14	AP8120952	Fuel pipe 5,5x10	2	Year:2010[A], 2011[B]
15	AP8152299	Self-locking nut M6	3	Country:United States of America[USA]
16	AP8152246	Screw w/ flange M6x16	3	Country:United States of America[USA]
17	AP8150204	Nut M4	4	Country:United States of America[USA]
18	AP8152342	Screw w/ flange M6x12	2	Country:United States of America[USA]
19	AP8150430	Low self-locking nut	2	Country:United States of America[USA]
20	AP8124718	Rear reflector, red	2	Country:United States of America[USA]
21	AP8134677	Reflector support	1	Country:United States of America[USA]
22	855071	Maintenance	1	Country:United States of America[USA]
23	AP8149034	Number plate support	1	Country:United States of America[USA]
24	AP8150045	Hex socket screw M6x55	3	Year:2012[C]
25	AP8150429	Spring washer 6,4x11x0,5*	3	Year:2012[C]
26	AP8221023	T bush	3	Year:2012[C]
27	B044244	Covers	1	Year:2012[C]

Group	FRAME
Code	28.18
Description	Dashboard
Service	1



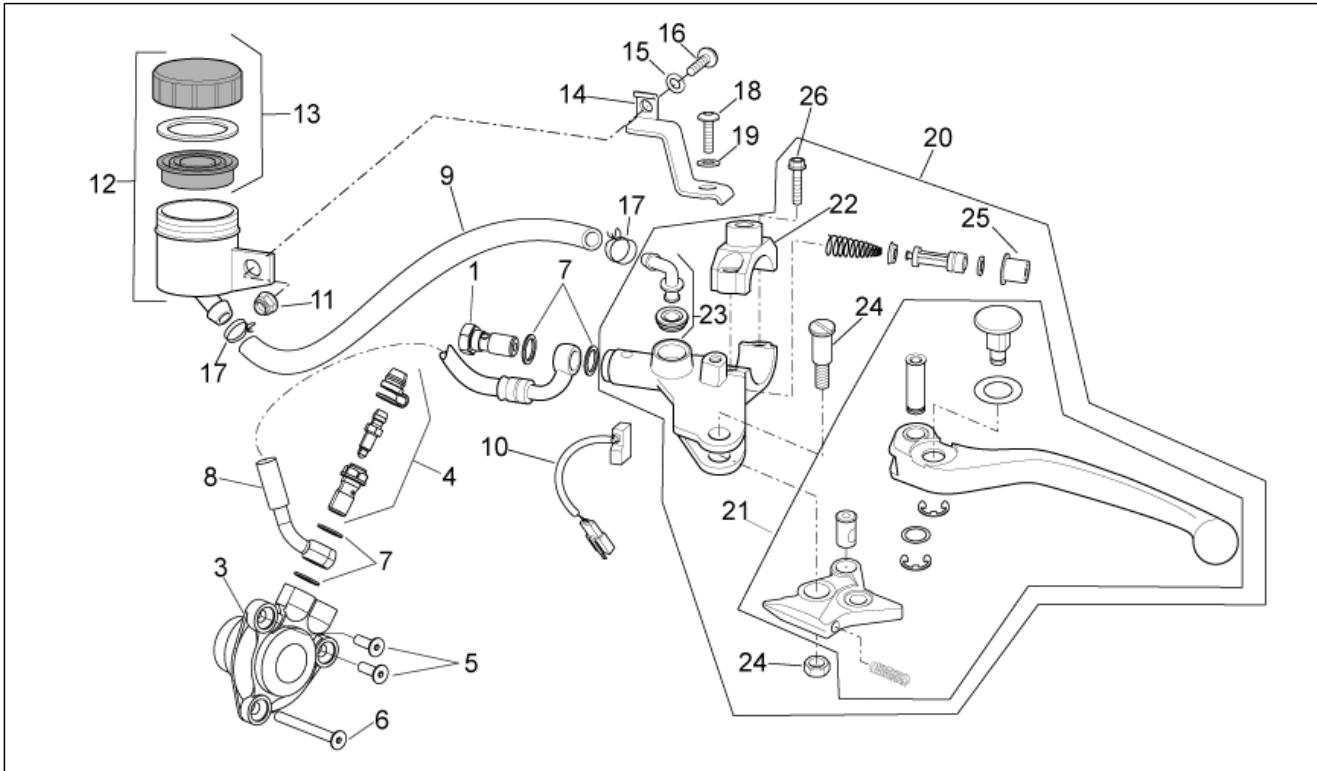
Pos.	Code	Description	Qty	Variants
1	895475	Dashboard	1	
2	898888	Bracket	1	
3	AP8144662	Rubber spacer	3	
4	AP8150382	Washer 15x5,5X1,2	3	
5	AP8150509	Self-tap screw 5x14	3	
6	AP8150044	Hex socket screw M6x20	2	
7	AP9100053	Bush d.10-h.3,5	2	
8	AP8152299	Self-locking nut M6	2	

Group	FRAME
Code	28.19
Description	Handlebar - Controls
Service	1



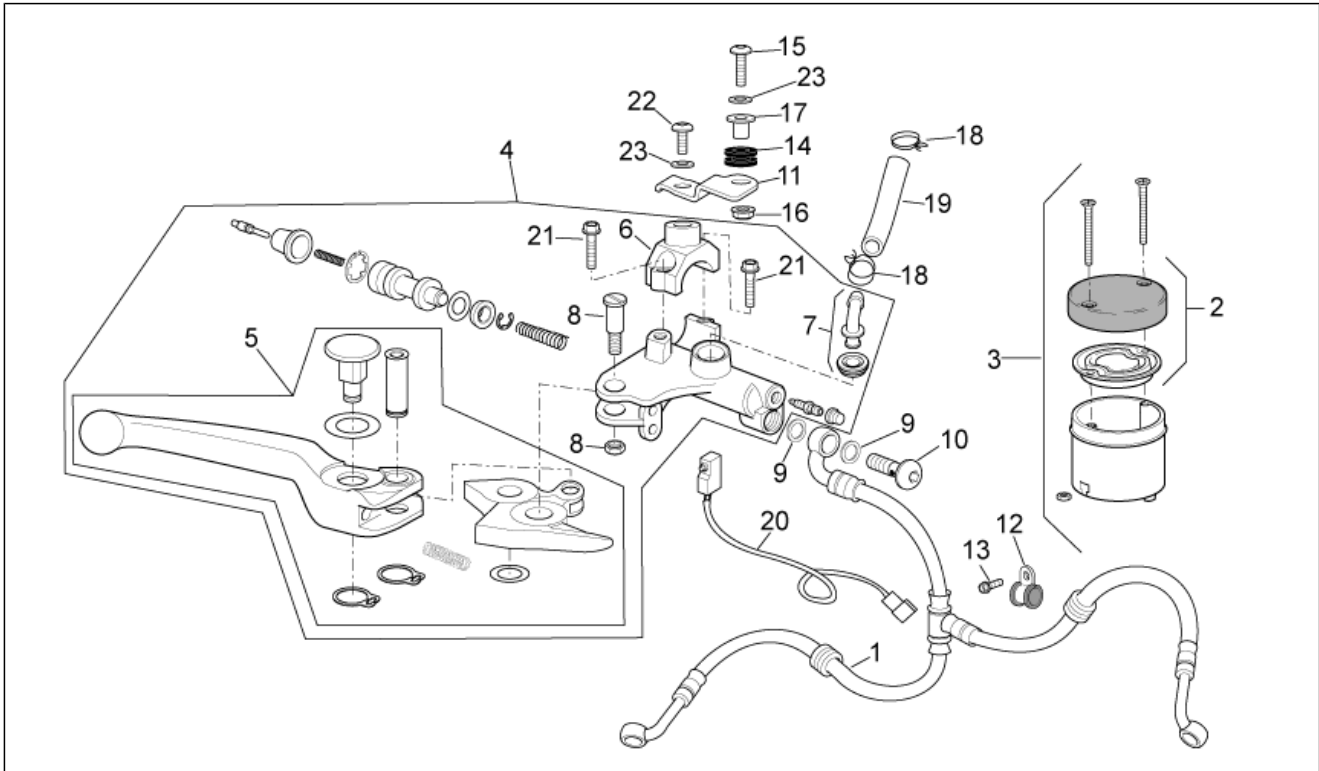
Pos.	Code	Description	Qty	Variants
1	895220	Handlebar	1	
2	896063	RH lights selector	1	
3	896107	LH lights selector	1	
4	AP8121520	Anti vib.weight trailing	2	
5	859949	Anti.v weight, black	2	
6	AP8150324	Hex socket screw M6x50	2	
7	851628	Upper U-bolt	1	
8	AP8152486	Screw M8x25 INOX	4	
9	GU01603480	RH hand grip	1	
10	896663	Rh side mirror	1	
11	858539	Lh side mirror	1	
12	896003	Gas trasmission delivery	1	
13	896004	Gas trasmission return	1	
14	894880	RH handguard	1	
15	894881	LH handguard	1	
16	AP8121032	Bush	2	
17	AP8121811	T bush	2	
18	AP8144081	Rubber spacer	2	
19	860744	Hose clamp	1	
20	AP8118579	LH hand grip	1	
21	AP8152246	Screw w/ flange M6x16	2	

Group	FRAME
Code	28.20
Description	Clutch pump I
Service	1



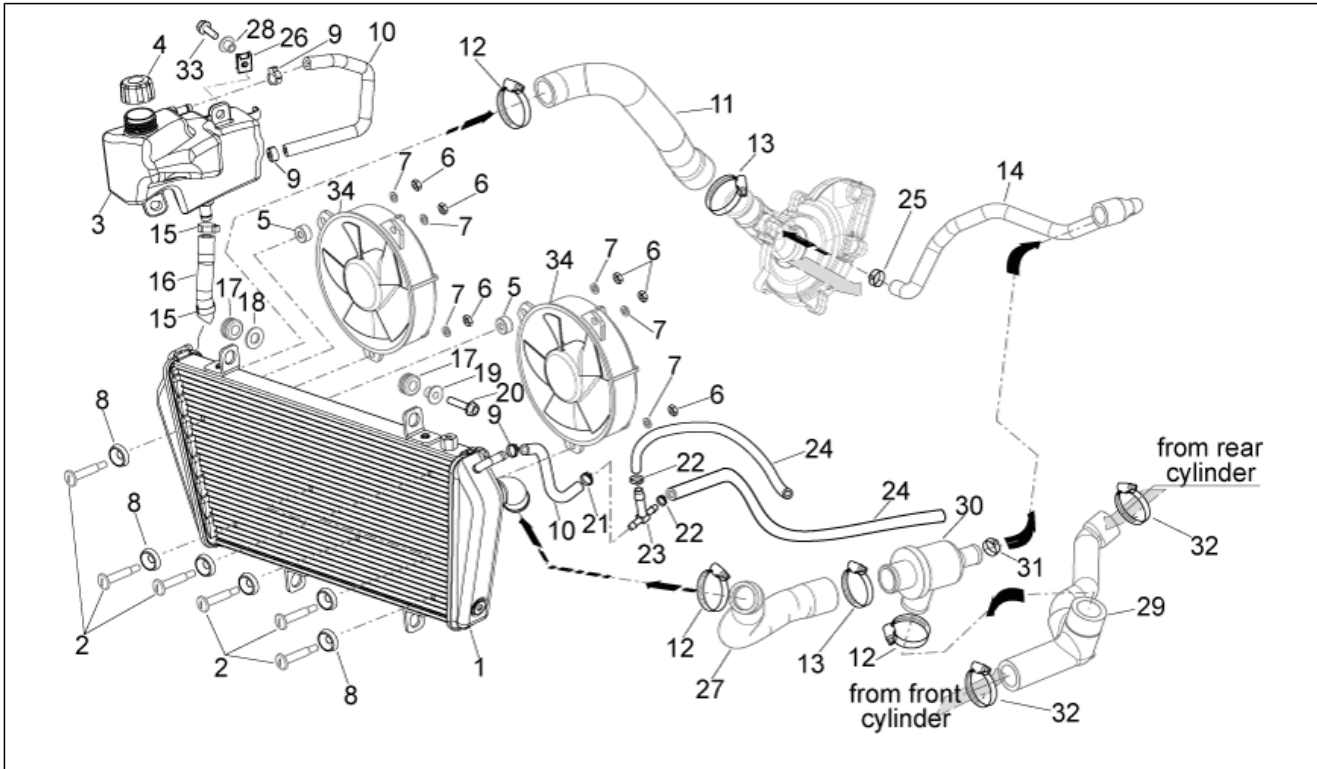
Pos.	Code	Description	Qty	Variants
1	AP8113003	Oil pipe screw *	1	
3	873115	Clutch command cylinder	1	
4	AP8133945	Bleeder kit	1	
5	874037	Screw	2	
6	873268	Screw	1	
7	AP8113004	Washer 10x14x1,6*	4	
8	896475	Clutch pipe	1	
9	890509	Rubber pipe	1	
10	AP8127320	Clutch switch+harness	1	
11	AP8150539	Cap nut	1	
12	AP8106382	Oil tank	1	
13	AP8113553	Tank cap	1	
14	AP8134898	Oil tank plate	1	
15	AP8150272	Curved spring washer 5,3x10x0,5	1	
16	AP8150538	Hex socket screw M5x10	1	
17	AP8101595	Hose clamp D10,1	2	
18	AP8150537	Hex socket screw M6x12	1	
19	AP8150429	Spring washer 6,4x11x0,5*	1	
20	896259	Clutch pump	1	
21	AP8113758	Clutch lever	1	
22	AP8168501	Rearview mirror base	1	
23	AP8213057	Rear brake pump union	1	
24	AP8113719	Lever pin	1	
25	AP8133522	Guard	1	
26	AP8213299	Cap screw	1	

Group	FRAME
Code	28.21
Description	Front master cilinder I
Service	1



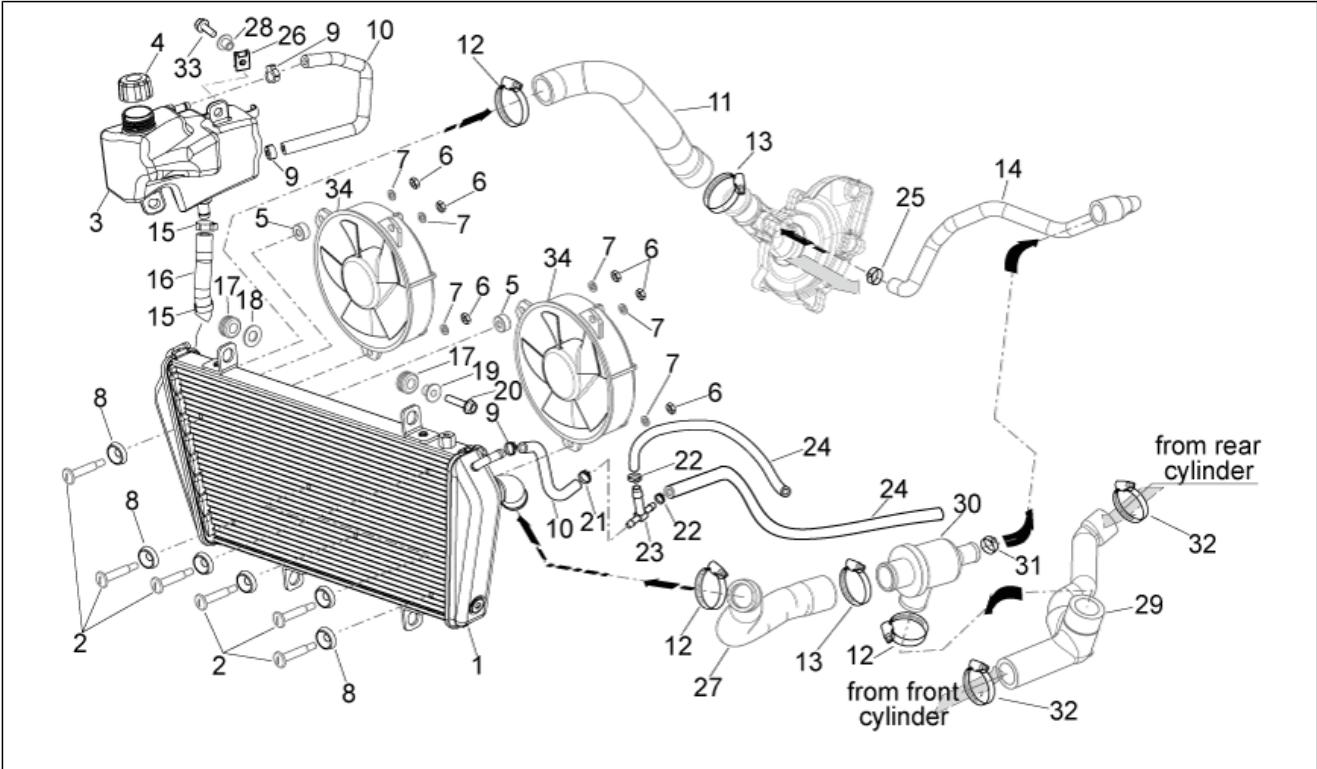
Pos.	Code	Description	Qty	Variants
1	896473	Front brake hose	1	Technical specification: Standard Version[std]
1	897825	Front brake hose	1	Technical specification: ABS Version[ABS]
2	AP8113598	Pil brake tank plug	1	
3	AP8113499	Brake oil tank	1	
4	896251	***Front brake pump	1	Technical specification: Standard Version[std]
4	896256	Front master cilinder	1	Technical specification: ABS Version[ABS]
5	AP8145022	Front brake lever	1	
6	AP8168501	Rearview mirror base	1	
7	AP8213057	Rear brake pump union	1	
8	AP8113719	Lever pin	1	
9	AP8113004	Washer 10x14x1,6*	2	
10	AP8113003	Oil pipe screw *	1	
11	AP8134899	Oil tank plate	1	
12	AP8134167	Brake hose hanger	1	
13	AP8152272	Screw w/ flange M5x12	1	
14	AP8120030	Rubber spacer	1	
15	AP8224470	Hex socket screw M6x20	1	
16	AP8150474	Stainless cap nut M6	1	
17	AP8221023	T bush	1	
18	AP8101595	Hose clamp D10,1	2	
19	890509	Rubber pipe	1	
20	AP8124288	Stop switch	1	
21	AP8213299	Cap screw	2	
22	AP8150246	Screw	1	
23	AP8150429	Spring washer 6,4x11x0,5*	2	

Group	FRAME
Code	28.22
Description	Cooling system
Service	1



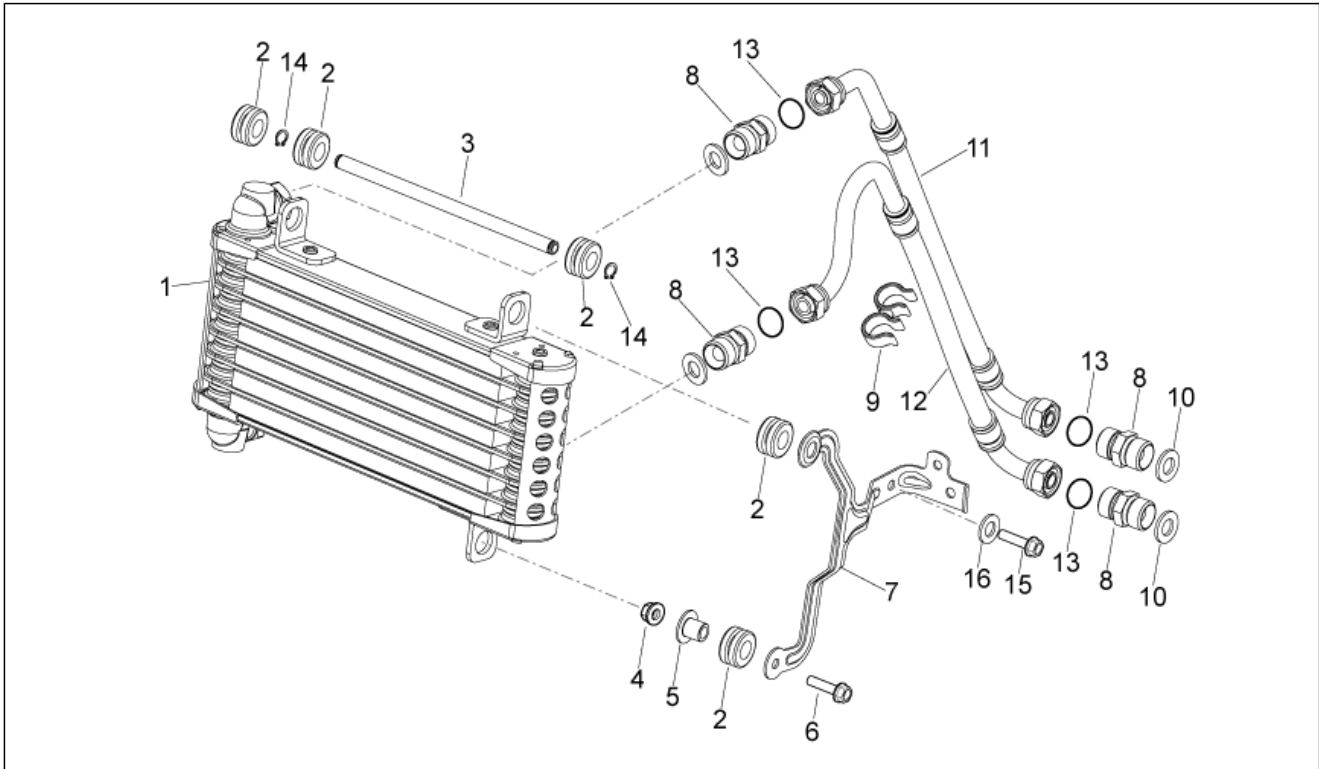
Pos.	Code	Description	Qty	Variants
1	895998	Water cooler cpl.	1	
2	893514	Screw	6	
3	896245	Expansion tank	1	
4	573454	Tank cap	1	
5	893513	Spacer	6	
6	AP8150204	Nut M4	6	
7	AP8150011	Washer 4,3x12x1	6	
8	893823	Washer d4,5	6	
9	CM226901	Spring clamp 15/12	3	
10	AP8144506	Breather pipe 7,5X3,5	2	
11	896367	***COOLING PIPE	1	
12	CM226905	Spring clamp 32/12	3	
13	CM226906	Spring clamp 35/12	2	
14	894511	Motor-pump valve tube	1	
15	CM226902	Spring clamp 19/12	2	
16	897037	***Water pipe	1	
17	AP8120030	Rubber spacer	2	
18	AP8220366	Rubber spacer	1	
19	AP8221023	T bush	1	
20	AP8152280	Screw w/ flange M6x25	1	
21	CM001903	Hose clamp	1	
22	CM001901	Hose clamp	2	
23	897035	"Y" union	1	
24	897036	Breather pipe	1	
25	CM226908	Spring clamp 15/12	1	
26	254485	Spring plate M6	1	
27	894510	***COOLING PIPE	1	
28	AP8221145	T bush *	1	

Group	FRAME
Code	28.22
Description	Cooling system
Service	1



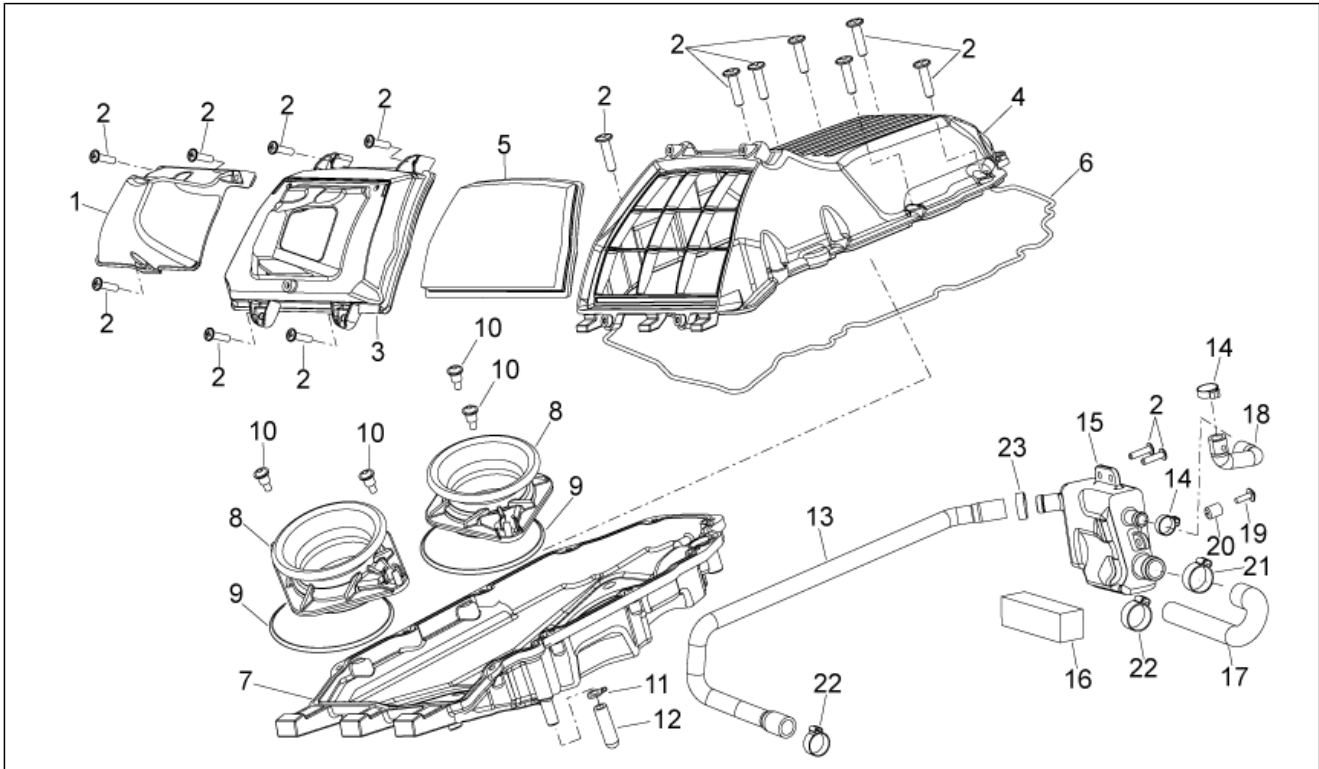
Pos.	Code	Description	Qty	Variants
29	894512	3-way pipe	1	
30	834232	Thermostat valve set 85°C	1	
31	CM226903	Spring clamp 22/12	1	
32	CM226904	***CLAMP	2	
33	AP8152279	Screw w/ flange M6x20	1	
34	899356	***Fan	2	

Group	FRAME
Code	28.225
Description	Oil radiator
Service	1



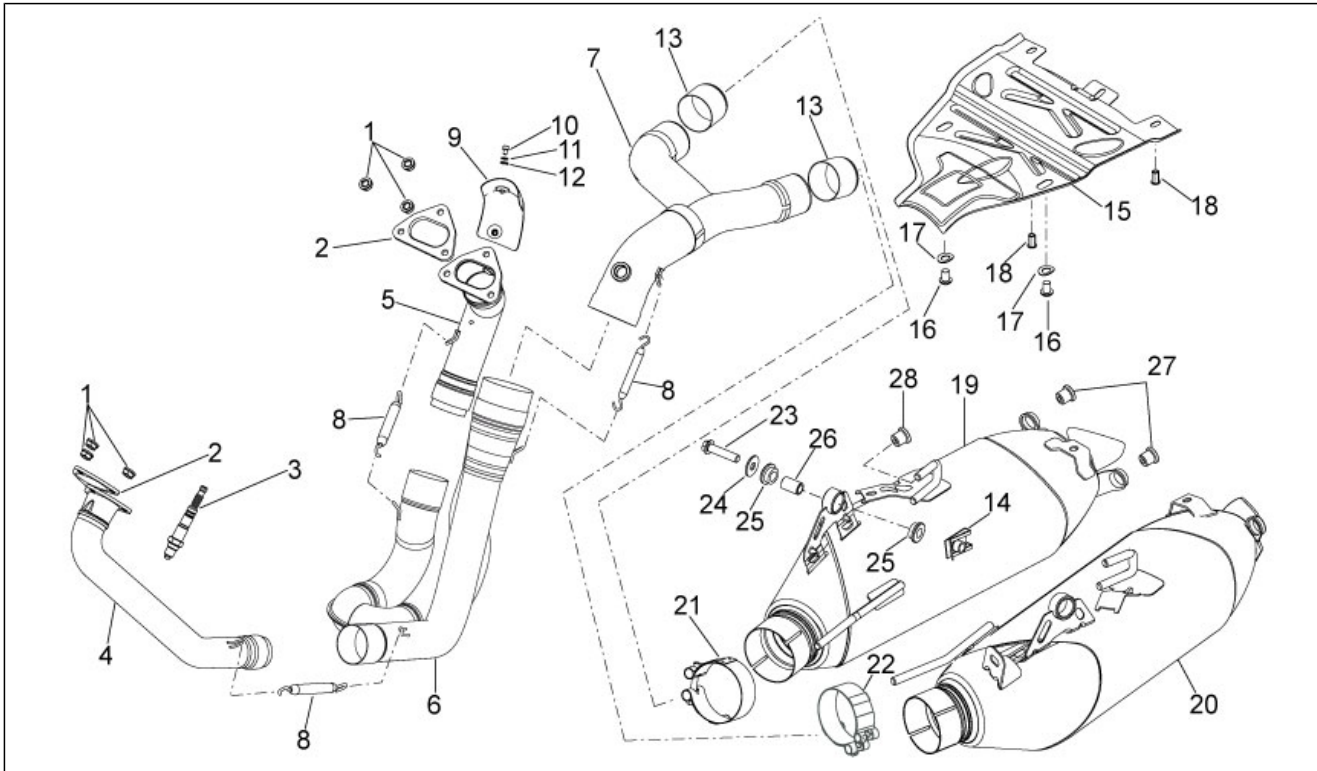
Pos.	Code	Description	Qty	Variants
1	895999	Oil cooler	1	
2	AP8120030	Rubber spacer	5	
3	896760	Spacer	1	
4	AP8152299	Self-locking nut M6	1	
5	AP8221023	T bush	1	
6	AP8152280	Screw w/ flange M6x25	1	
7	895217	Bracket	1	
8	GU01161331	Reduction	4	
9	898733	Fairlead D12	1	
10	GU01154230	Gasket	4	
11	893841	***OIL TUBE	1	
12	893842	***OIL TUBE	1	
13	899064	O-ring	4	
14	AP8121428	Circlip d8	2	
15	AP8152277	Screw w/ flange M6x12	1	
16	AP8150429	Spring washer 6,4x11x0,5*	1	

Group	FRAME
Code	28.23
Description	Air box
Service	1



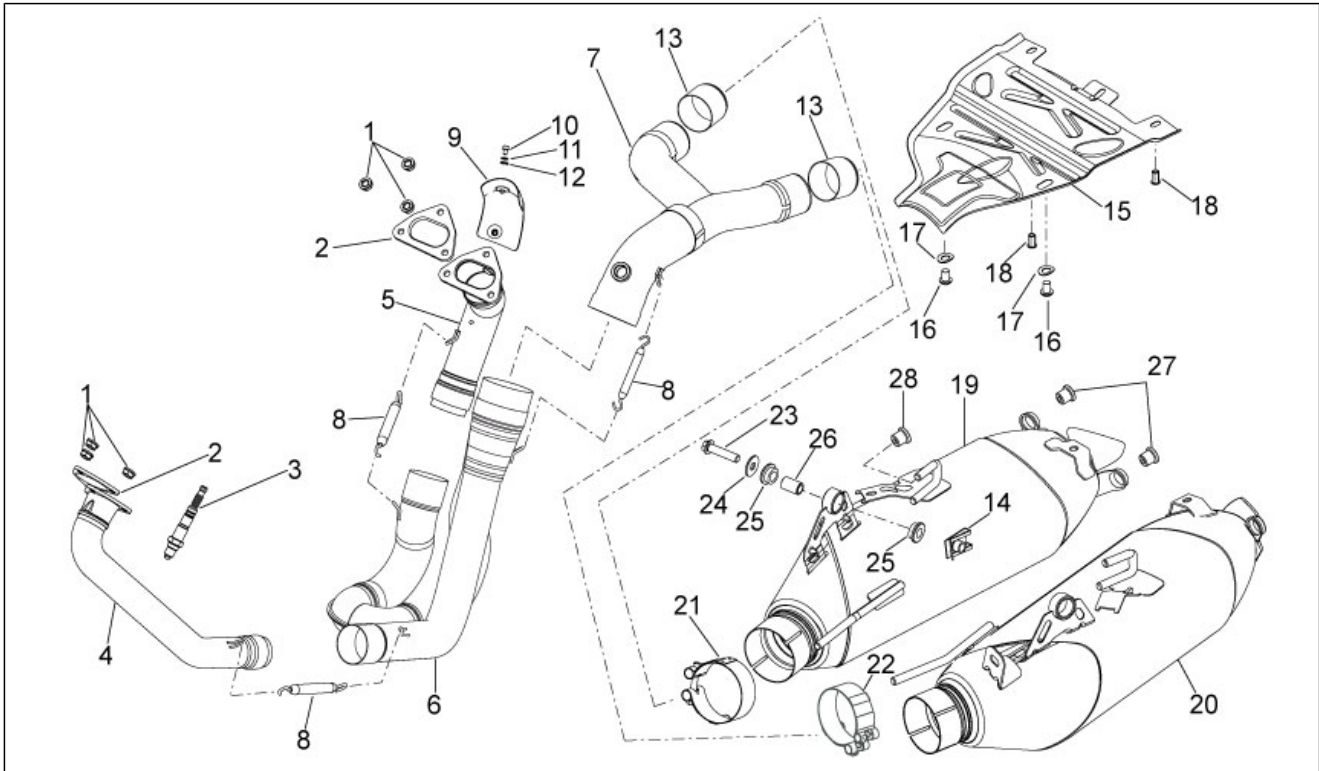
Pos.	Code	Description	Qty	Variants
1	896240	***CLEANER BOX	1	
2	AP8152329	Phillips screw, SWP M5x20	19	
3	896239	***Air filter cover	1	
4	896236	Filter housing cover	1	
5	896237	Filtering element	1	
6	AP8120615	Gasket D3	1	
7	896234	***Filter housing base	1	
8	896235	***CONNECTION PIPE	2	
9	895092	O-ring	2	
10	893132	screw	4	
11	AP8102520	Hose clamp	1	
12	AP8161054	Cap	1	
13	896867	Front Blow-by breather pipe	1	
14	AP8102903	Hose clip D16,5X6,6	2	
15	894782	Blow-By tank	1	
16	897351	Blow-by filter	1	
17	894764	Rear Blow-by breather pipe	1	
18	894783	Blow-by breather pipe D.9	1	
19	AP8152246	Screw w/ flange M6x16	1	
20	AP8120712	Rubber spacer	1	
21	AP8201169	Hose clip D22x8,6*	1	
22	AP8102786	Hose clip 20x8	2	
23	AP8102349	White hose clip D17,5x8	1	

Group	FRAME
Code	28.25
Description	Exhaust unit
Service	1



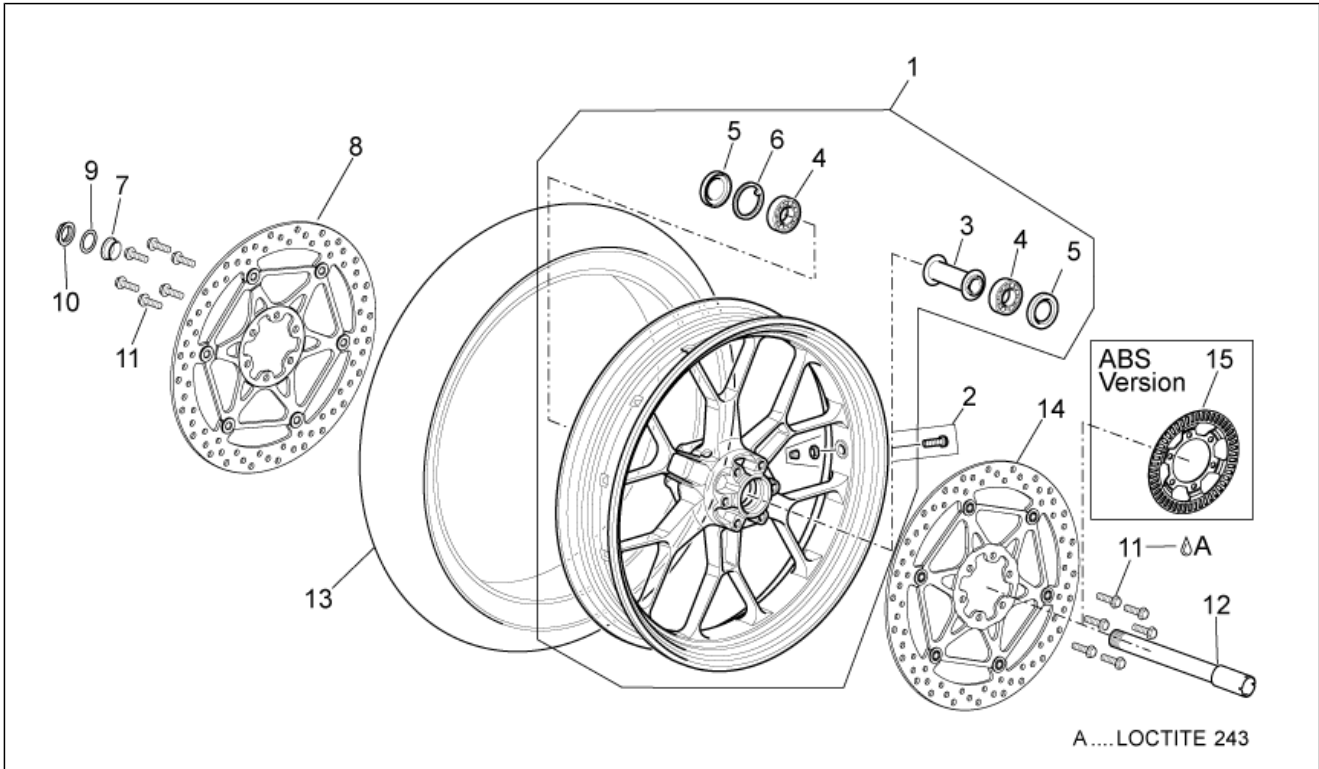
Pos.	Code	Description	Qty	Variants
1	GU92660021	Flanged nut M8	6	
2	895836	Exhaust pipe gasket	2	
3	896110	Lamda sensor l.660 mm	1	
4	895354	Front. Exhaust pipe	1	Technical specification: ABS Version[ABS]
4	895813	Front. Exhaust pipe	1	Technical specification: Standard Version[std]
5	895355	Manifold	1	
6	895356	Central exhaust manifold	1	
7	895357	Exhaust manifold	1	
8	AP8121170	Spring	3	
9	896656	Guard	1	
10	AP8150505	Hex socket screw m4x6 inox	2	
11	AP8150158	Washer 4,3X9X0,8	2	
12	AP8150483	Broken spring washer	2	
13	GU05128230	Gasket	2	
14	575268	Spring plate M8	2	
15	896655	Guard	1	
16	AP8152055	Hex socket screw M8x12	2	
17	AP8150376	Washer 8,5x15x0,8	2	
18	AP8201755	Threaded rivet	2	
19	896703	RH silencer	1	
20	896704	LH silencer	1	
21	898251	RH silencer support clamp	1	
22	851586	LH manifold pipe	1	
23	AP8152289	Screw w/ flange	2	
24	AP8150018	Washer	2	
25	856914	Rubber spacer	4	
26	AP8121455	Spacer bush	2	
27	860171	Rubber spacer	2	

Group	FRAME
Code	28.25
Description	Exhaust unit
Service	1



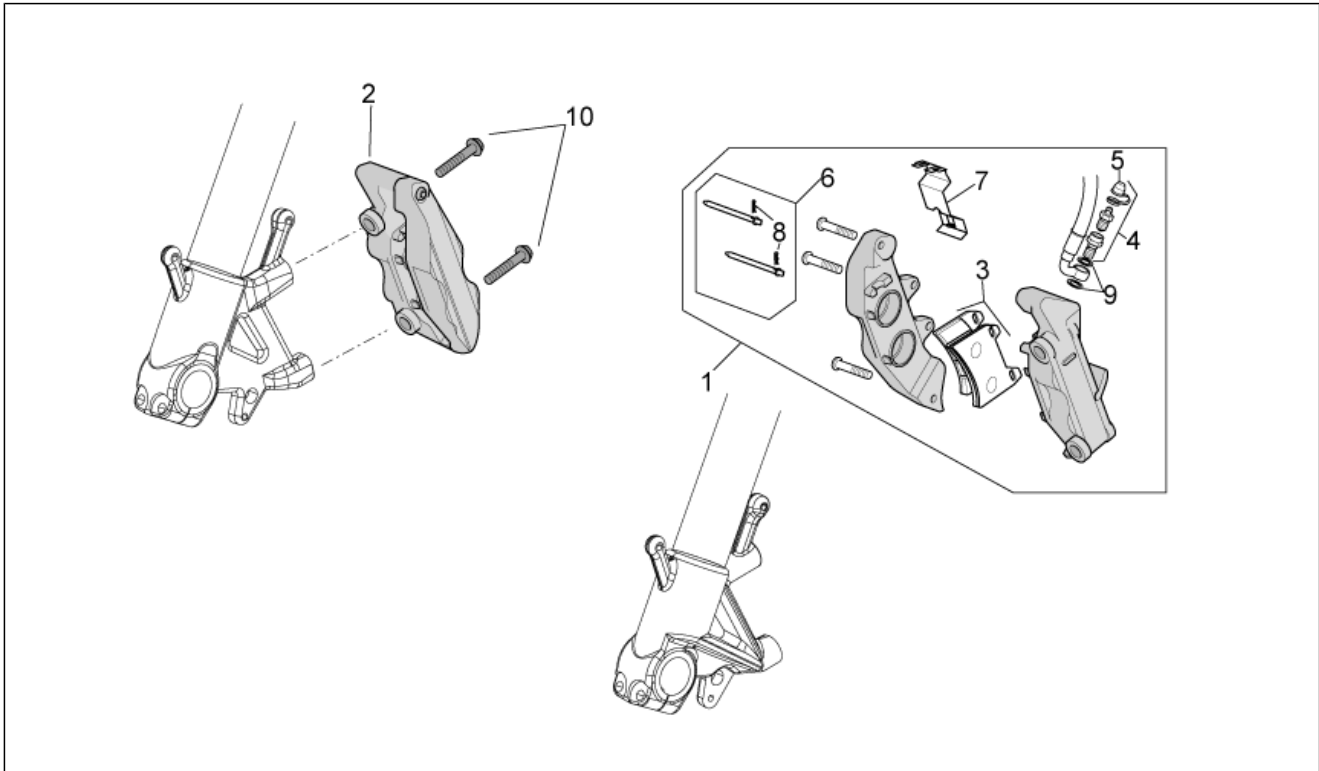
Pos.	Code	Description	Qty	Variants
28	856914	Rubber spacer	2	

Group	FRAME
Code	28.26
Description	Front wheel
Service	1



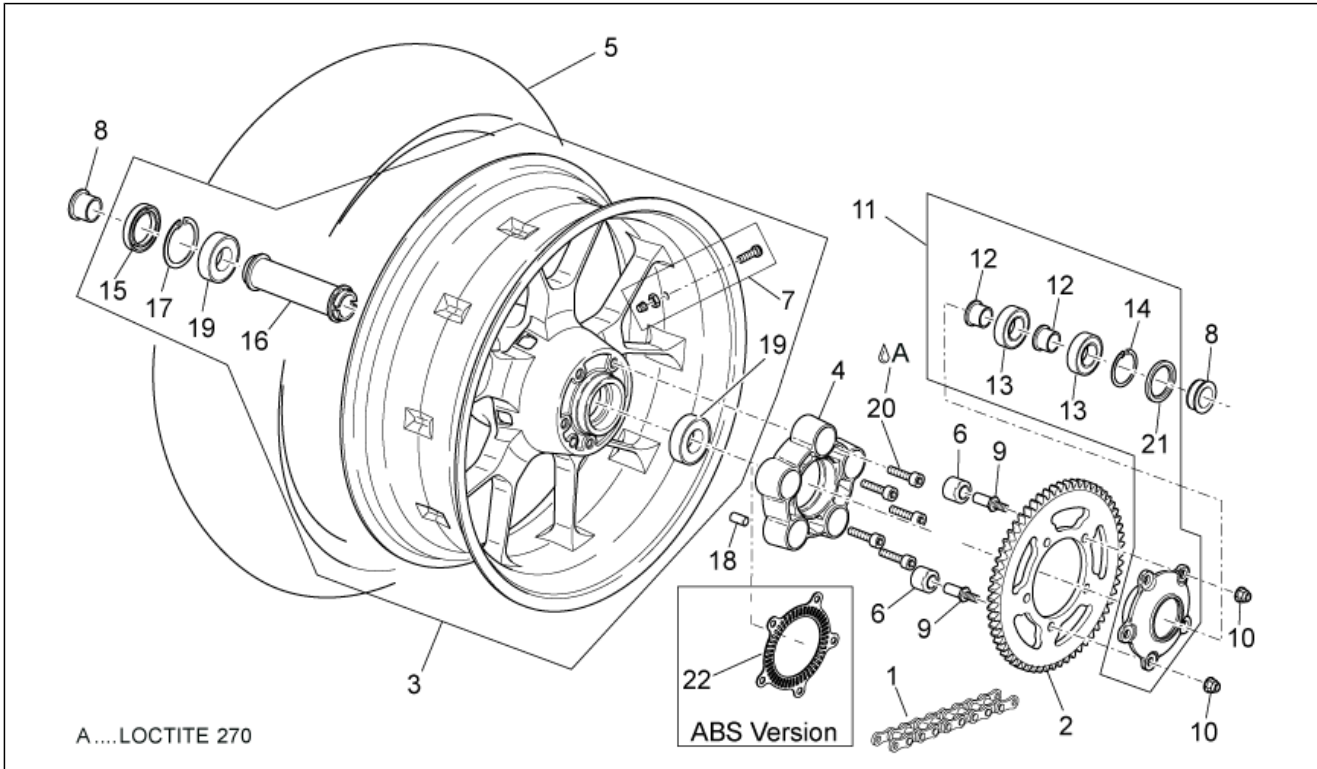
Pos.	Code	Description	Qty	Variants
1	896754	Front wheel, black	1	Year:2012[C]
1	AP8128228	Front wheel, black	1	Year:2010[A], 2011[B]
2	AP8101744	Tubeless tyre valve	1	
3	AP8128169	Internal spacer	1	
4	AP8110094	Bearing 25x47x12	2	Year:2012[C]
4	AP8125777	Ball bearing 25x47x12	2	Year:2010[A], 2011[B]
5	AP8125773	Gasket ring 30x47x7	2	Year:2010[A], 2011[B]
5	AP8125841	Gasket ring 30x47x7	2	Year:2012[C]
6	AP8125779	Circlip	1	Year:2010[A], 2011[B]
6	AP8125842	Snap ring d47	1	Year:2012[C]
7	AP8125728	Front RH whe.ou.spacer	1	
8	896011	Front brake disc DX	1	Technical specification:Grimeca[GR]
8	B044279	RH front brake disc	1	Technical specification:Longzhong[LZ]
9	AP8152323	Washer 25,2x36x1	1	
10	AP8152335	Wheel spindle nut	1	
11	AP8152286	Screw w/ flange M8x20	12	
12	AP8125827	Front wheel spindle	1	
13	85156R	Front tyre 120/70 ZR 17"	1	
14	896012	Front brake disc SX	1	Technical specification:Grimeca[GR]
14	B044280	Front brake disc SX	1	Technical specification:Longzhong[LZ]
15	AP8128189	Wheel speed sensor, left front	1	Technical specification:ABS Version[ABS]

Group	FRAME
Code	28.27
Description	Front brake caliper
Service	1



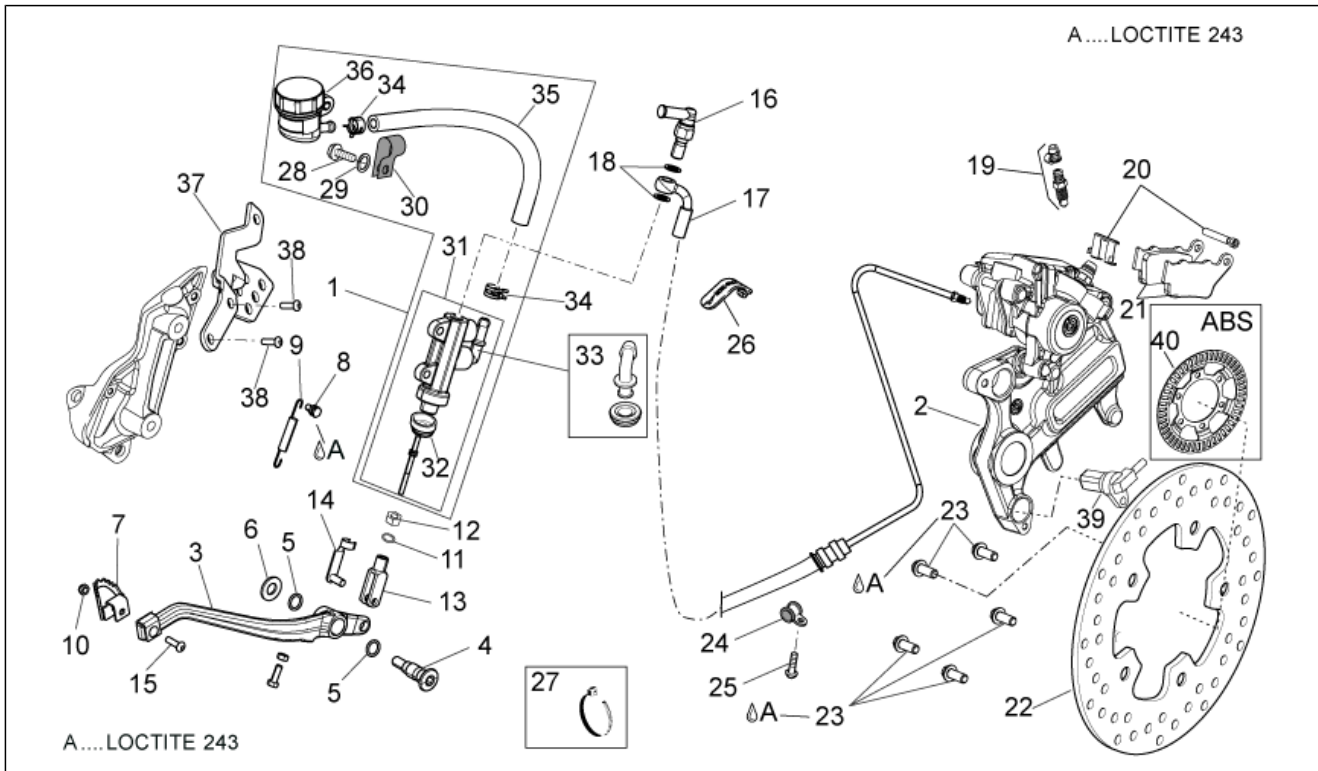
Pos.	Code	Description	Qty	Variants
1	852215	LH Front brake caliper, gold P432	1	
2	852214	RH Front brake caliper, gold P432	1	
3	AP8133614	Pads pair	2	
4	AP8133945	Bleeder kit	2	
5	AP8113070	Bleed valve cap	2	
6	AP8113721	Pin+split pin	2	
7	AP8113722	Spring	2	
8	AP8113723	Split pin	2	
9	AP8113004	Washer 10x14x1,6*	4	
10	AP8152414	Screw w/ flange M10x55	4	

Group	FRAME
Code	28.28
Description	Rear wheel
Service	1



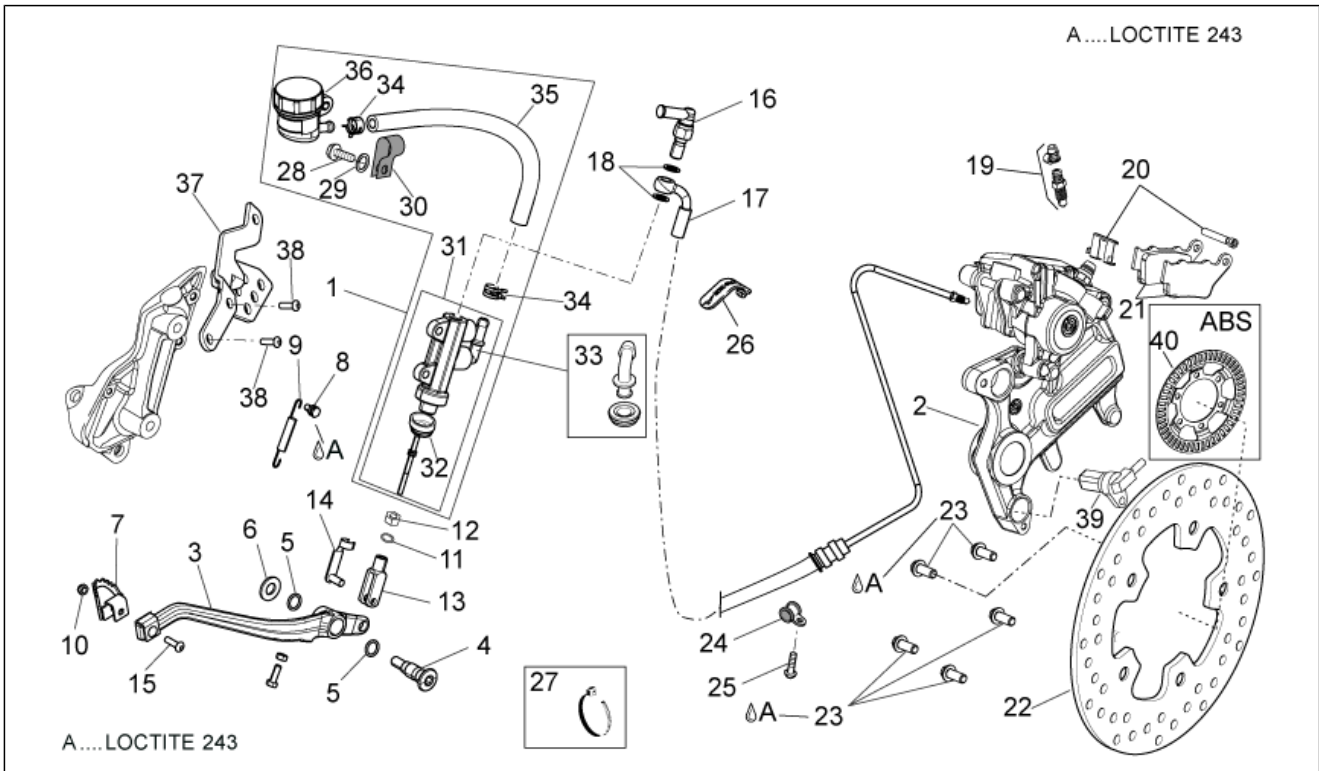
Pos.	Code	Description	Qty	Variants
1	851612	Chain cpl conn.link	1	
2	AP8107145	Chain ring	1	
3	860694	Rear wheel, black 6"x17"	1	Year:2010[A], 2011[B]
3	896756	Rear wheel, black 6"x17"	1	Year:2012[C]
4	AP8128231	Rear wheel spring drive holder	1	
5	85157R	Rear tyre	1	
6	AP8125731	Flexible coupling rubber	5	
7	AP8101744	Tubeless tyre valve	1	
8	AP8121592	Rear wheel spacer	2	
9	B045033	Pin	5	
10	AP8150436	Low self-locking nut	5	
11	AP8125730	Crown holder cpl.	1	
12	AP8125732	Spring drive spacer	2	
13	AP8110081	Bearing 30x55x13	2	
14	AP8121212	Inside circlip d55	1	
15	AP8125838	Gasket ring 38x52x7	1	
16	AP8128170	Internal spacer	1	
17	AP8125788	Circlip	1	Year:2010[A], 2011[B]
17	AP8125839	Snap ring d52	1	Year:2012[C]
18	AP8150463	Pin 10x20	1	
19	AP8106806	Bearing 6205-2rs1 25x52x15	2	Year:2010[A], 2011[B]
19	AP8110093	Bearing 6205-2rs1 25x52x15	2	Year:2012[C]
20	AP8150195	Hex socket screw M10x30	5	
21	AP8121213	Gasket ring 38x55x7	1	
22	890960	Wheel speed sensor, left front ABS	1	Technical specification:ABS Version[ABS]

Group	FRAME
Code	28.29
Description	Rear brake system I
Service	1



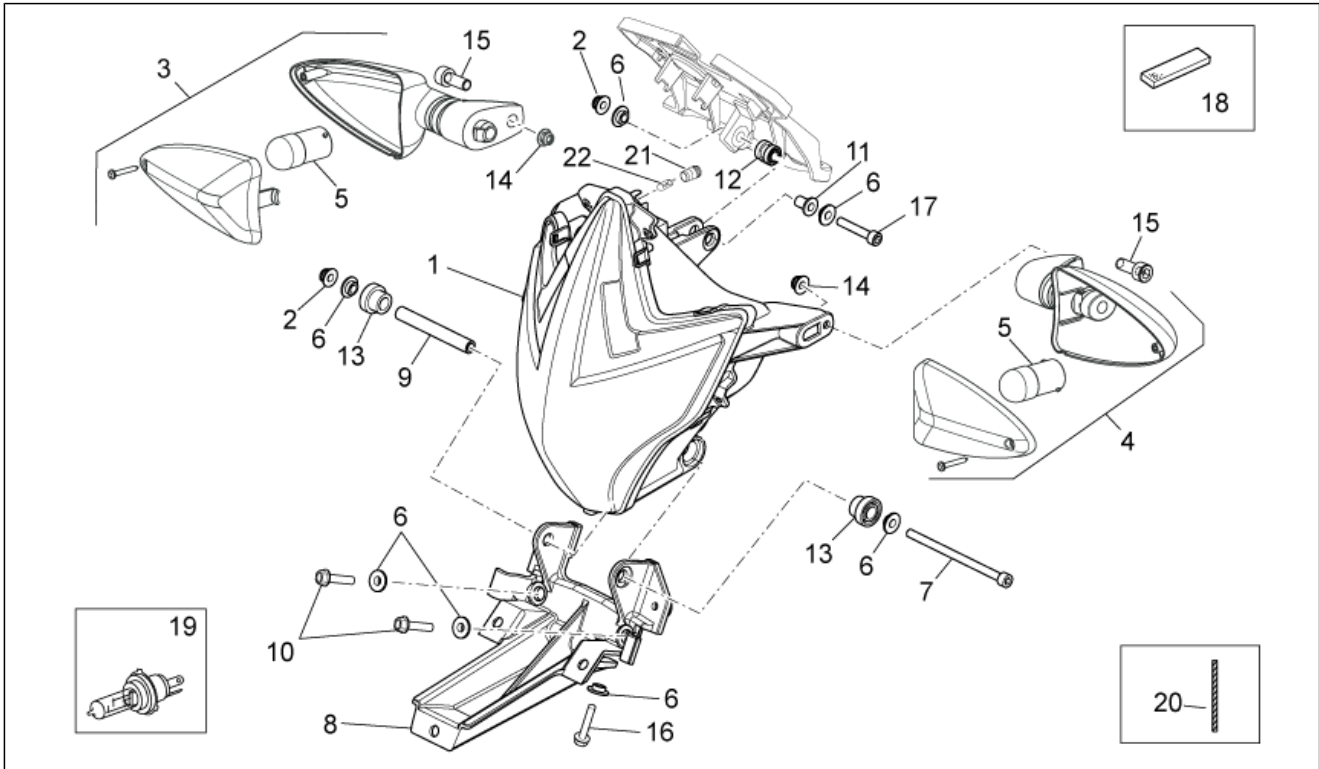
Pos.	Code	Description	Qty	Variants
1	896252	Rear master cylinder	1	
2	895571	Rear brake caliper	1	
3	856808	Rear brake lever	1	
4	AP8121223	Rear brake lever pin	1	
5	AP8144007	O-ring 11,11x1,78	2	
6	AP8150020	Washer 10,5x21x2*	1	
7	851049	Rear Brake lever push	1	
8	859946	Fixing pin	1	
9	AP8121126	Rear brake lever spring	1	
10	AP8150430	Low self-locking nut	1	
11	AP8120178	O-ring OR112	1	
12	AP8150026	Nut M6	1	
13	AP8101968	Fork	1	
14	AP8201301	Gear selector fork clips	1	
15	AP8224470	Hex socket screw M6x20	1	
16	854973	Stop switch	1	
17	896474	Rear brake hose	1	
18	AP8113004	Washer 10x14x1,6*	2	
19	AP8133502	Air bleed valve	1	
20	AP8133827	Spring+plate	1	
21	896254	Pads pair	1	
22	896013	Rear brake disc d.240	1	Technical specification:Grimeca[GR]
22	B044278	Rear brake disc d.240	1	Technical specification:Longzhong[LZ]
23	894505	Screw w/ flange M8x18	5	
24	AP8134167	Brake hose hanger	2	
25	AP8152298	Screw w/ flange M5x16	2	
26	860744	Hose clamp	1	
27	AP8102386	Hose clamp 155x2	1	

Group	FRAME
Code	28.29
Description	Rear brake system I
Service	1



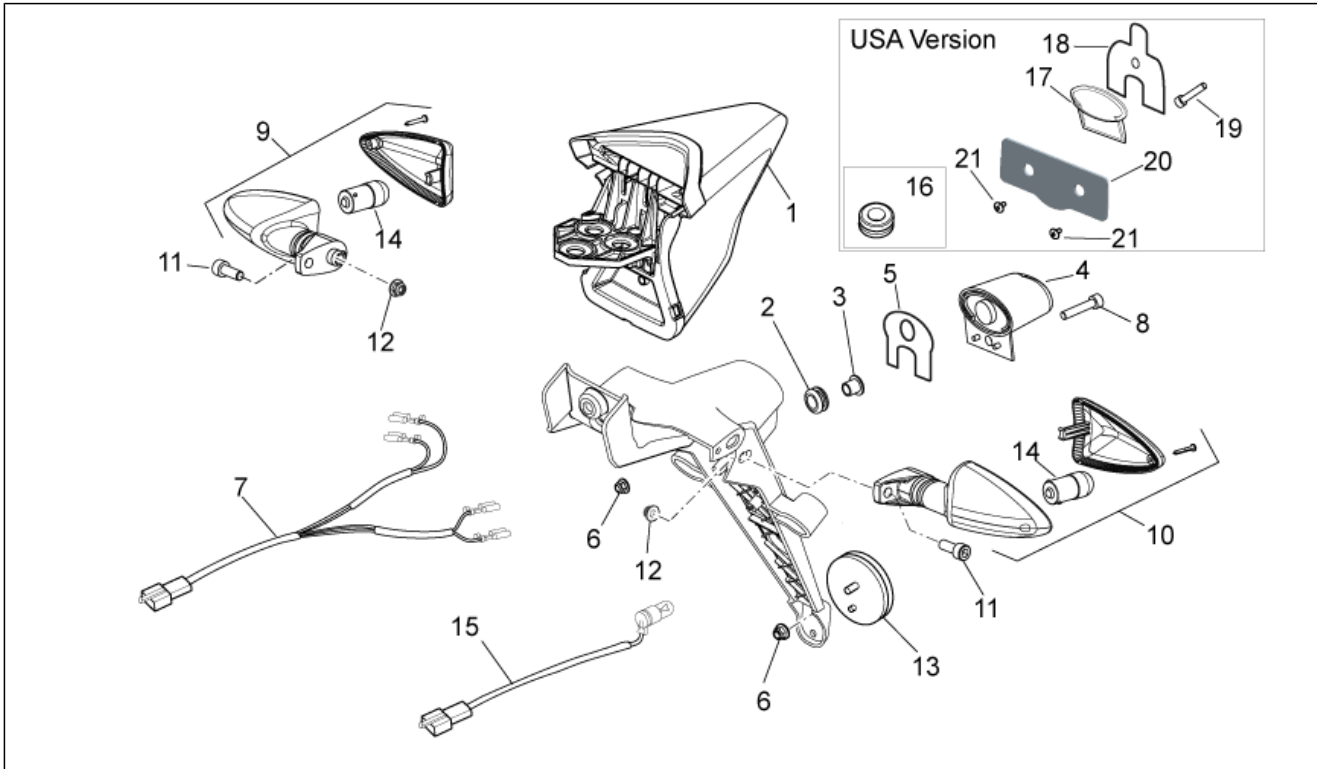
Pos.	Code	Description	Qty	Variants
28	AP8152174	Hex socket screw	1	
29	AP8150012	Washer 5,3x10x1*	1	
30	890721	Wiring clip	1	
31	896253	Rear master cylinder	1	
32	AP8113288	Rubber bellows	1	
33	AP8213057	Rear brake pump union	1	
34	AP8101595	Hose clamp D10,1	2	
35	890509	Rubber pipe	1	
36	AP8106382	Oil tank	1	
37	890164	RH protection	1	
38	AP8150137	Hex socket screw	2	
39	859792	Sensor ABS	1	Technical specification: ABS Version[ABS]
40	AP8128189	Wheel speed sensor, left front	1	Technical specification: ABS Version[ABS]

Group	FRAME
Code	28.30
Description	Front lights
Service	1



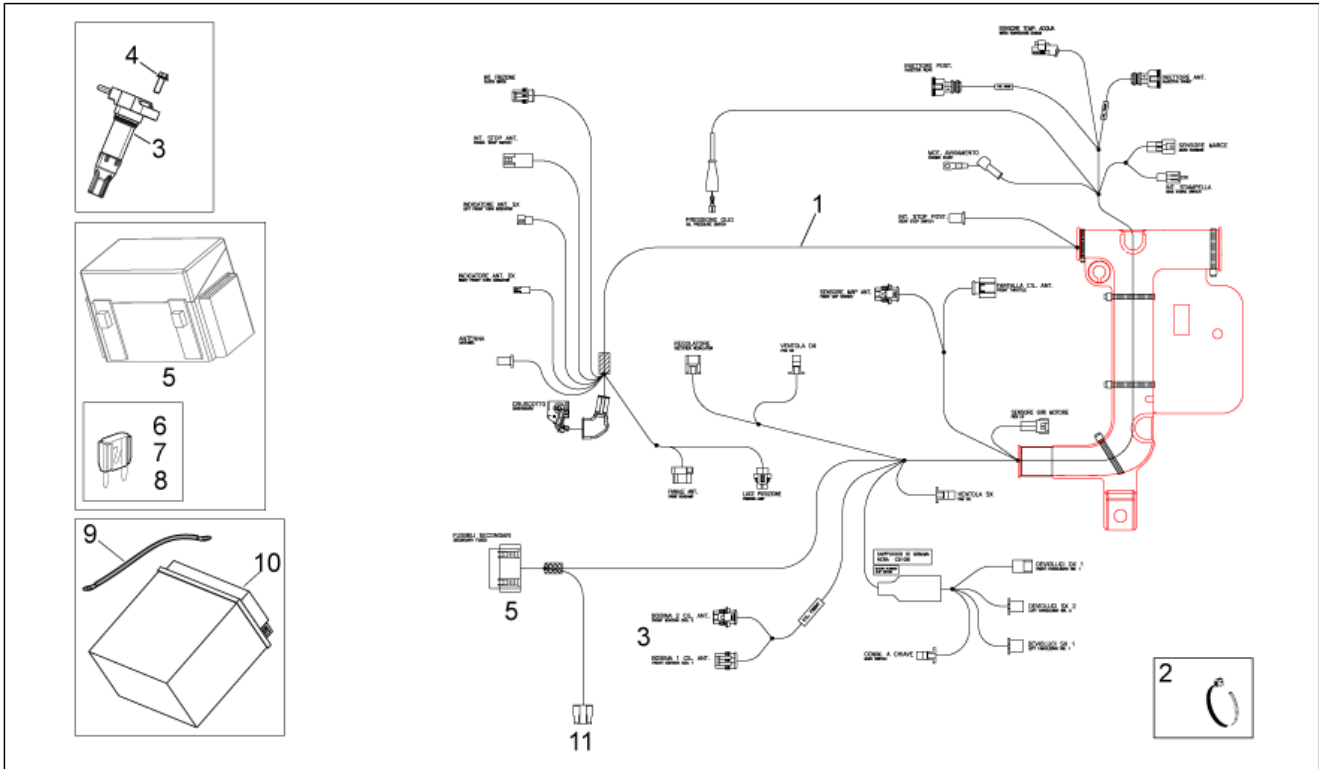
Pos.	Code	Description	Qty	Variants
1	856898	Headlight	1	
2	AP8152299	Self-locking nut M6	2	
3	854555	RH front turn indicator	1	
4	854556	LH front turn indicator	1	
5	AP8127489	Lamp RY10W 12V	2	
6	AP9100053	Bush d.10-h.3,5	8	
7	478171	Hex socket screw M6x100	1	
8	856604	Support clamp	1	
9	AP8134419	Fuel tank bush	1	
10	AP8152278	Screw w/ flange M6x16	2	
11	AP8121725	T bush *	1	
12	AP8220370	Filter housing rubber	1	
13	AP8220192	Rubber spacer *	2	
14	AP8152306	Self-locking nut m5	3	
15	AP8150050	Hex socket screw M5x16	2	
16	AP8152279	Screw w/ flange M6x20	1	
17	AP8150285	Hex socket screw M6x35	1	
18	AP8144538	Gasket	1	
19	AP8127121	Lamp H4 60/55W 12V	1	
20	860447	Biadhesive	2	
21	896512	Lampholder	1	
22	896513	Lamp H6W	1	

Group	FRAME
Code	28.31
Description	Rear lights
Service	1



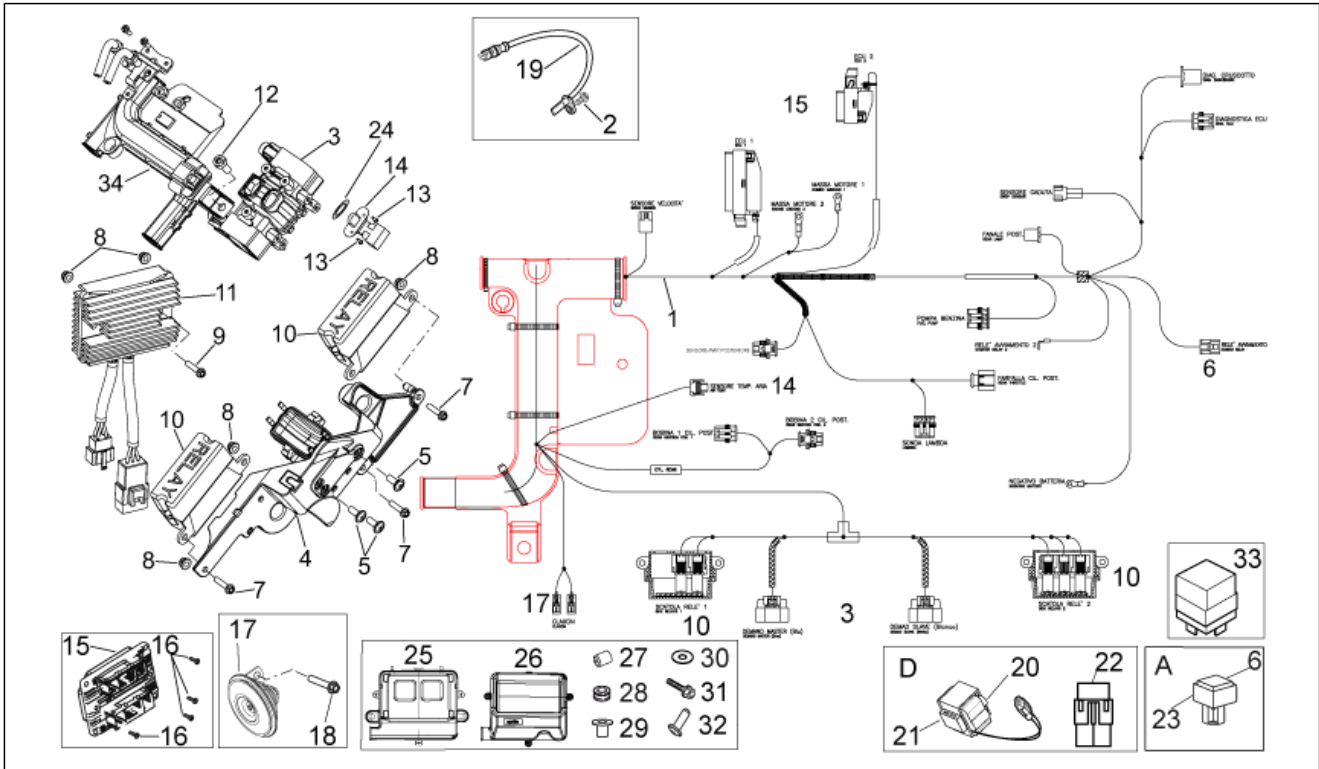
Pos.	Code	Description	Qty	Variants
1	856899	Taillight	1	
2	AP8112600	Rubber spacer	1	
3	AP8121795	T bush	1	
4	AP8127098	Number-plate light	1	
5	AP8117258	Vibration-damping rubber	2	
6	AP8152306	Self-locking nut m5	3	
7	856843	Taillight wiring harn.	1	
8	AP8150350	Hex socket screw M5x25	1	
9	854556	LH front turn indicator	1	
10	854555	RH front turn indicator	1	
11	AP8150137	Hex socket screw	2	
12	AP8152299	Self-locking nut M6	2	
13	AP8224164	Rear reflector, red	1	
14	AP8127489	Lamp RY10W 12V	2	
15	860026	Plate light wiring	1	
16	AP8120030	Rubber spacer	1	Country:United States of America[USA]
17	854631	Cover	1	Country:United States of America[USA]
18	858334	License plate lamp bracket	1	Country:United States of America[USA]
19	890896	Special screw 5,9x19	1	Country:United States of America[USA]
20	890939	Plate	1	Country:United States of America[USA]
21	890940	Plastic rivet	1	Country:United States of America[USA]

Group	FRAME
Code	28.32
Description	Electrical system I
Service	1



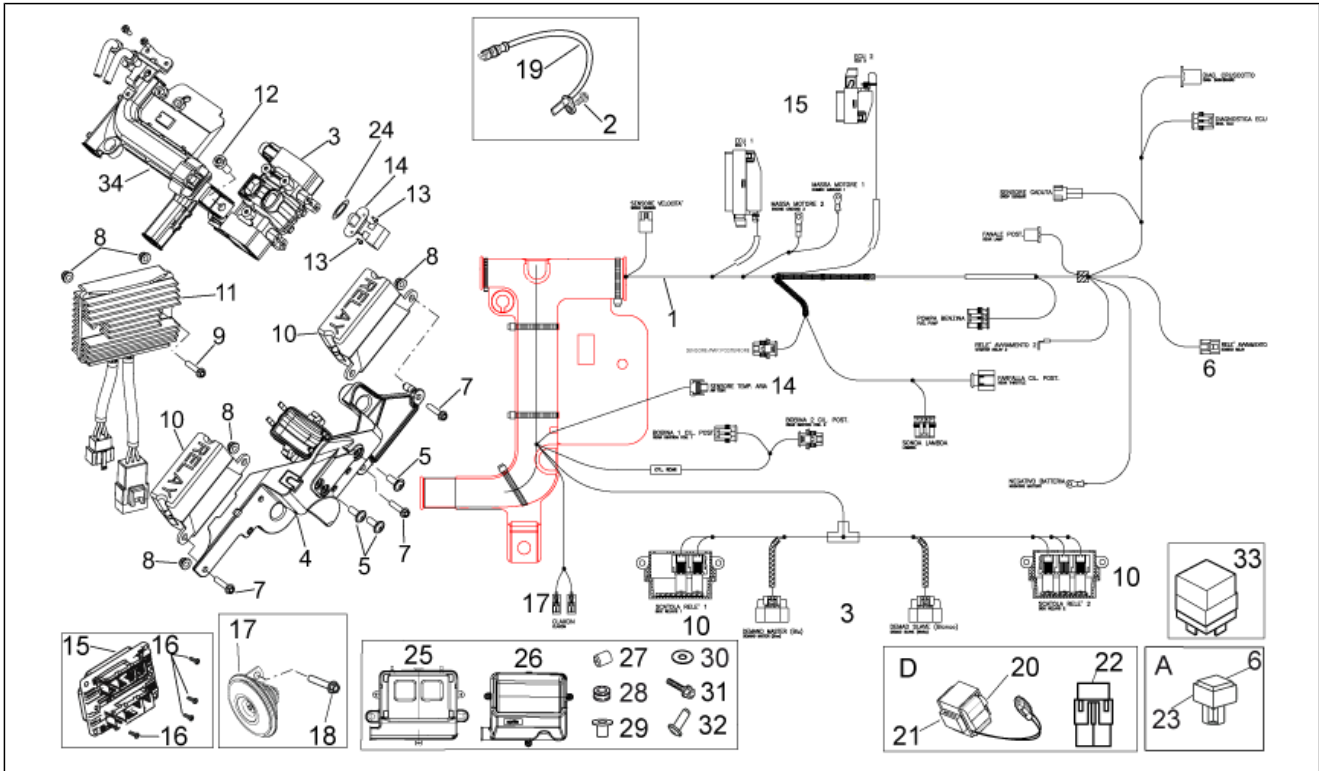
Pos.	Code	Description	Qty	Variants
1	894780	Main wiring harness	1	Technical specification: ABS Version[ABS]
1	896061	Main wiring harness	1	Technical specification: Standard Version[std]
2	AP8120416	Black hose 178x4	6	
3	875914	HT coil	2	
4	872425	Screw w/ flange	2	
5	894603	Fuse holder box	1	
6	CM225615	Fuse 15A	1	
7	CM225610	Fuse 10A	1	
8	CM225607	Fuse 7,5A	1	
9	897998	Relay battery wiring	1	Technical specification: Standard Version[std]
10	638733	Battery Yuasa 12V-12Ah (150x85x145)	1	
11	895481	Injection relay 12V 40W	1	

Group	FRAME
Code	28.33
Description	Electrical system II
Service	1



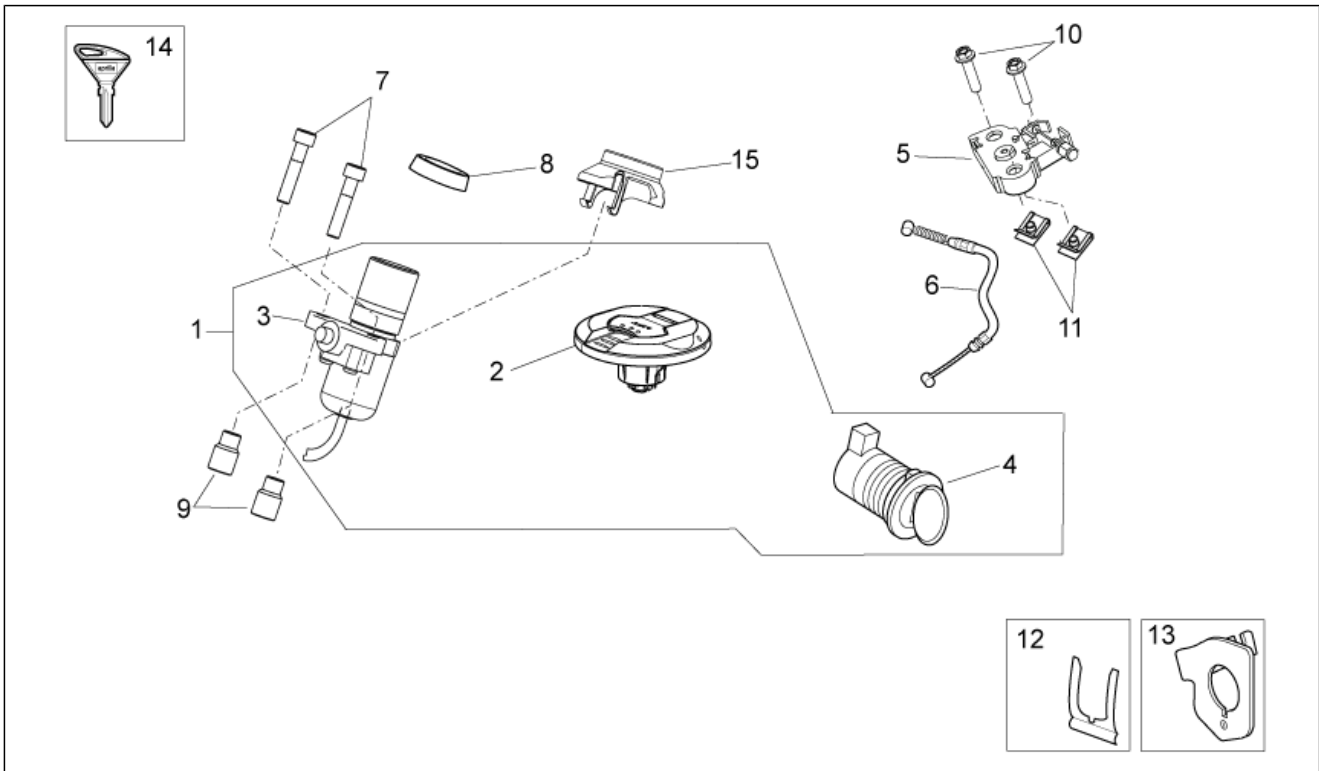
Pos.	Code	Description	Qty	Variants
1	894780	Main wiring harness	1	Technical specification: ABS Version[ABS]
1	896061	Main wiring harness	1	Technical specification: Standard Version[std]
2	AP8152278	Screw w/ flange M6x16	1	
3	872664	Demand Sensor	1	
4	895052	Maintenance demand sensor	1	
5	AP8150509	Self-tap screw 5x14	3	
6	AP9100487	Starter relay	1	
7	AP8152246	Screw w/ flange M6x16	3	
8	AP8152299	Self-locking nut M6	6	
9	AP8152281	Screw w/ flange M6x30	2	
10	AP8124293	Relais support	2	
11	640698	Voltage regulator	1	
12	AP8152339	Screw w/ flange M5x9	1	
13	AP8150421	Self-tap screw 2,9x12	2	
14	GU30729330	Air temp. Sensor	1	
15	CM083509	CDI unit assy	1	
16	AP8152329	Phillips screw, SWP M5x20	4	
17	897649	Horn	1	
18	AP8152280	Screw w/ flange M6x25	1	
19	859792	Sensor ABS	1	Technical specification: ABS Version[ABS]
19	896062	Speed sensor	1	Technical specification: Standard Version[std]
20	584509	Fall sensor	1	
21	AP8144046	Rubber sensor support	1	
22	887193	connector for fall sensor	1	
23	896715	Relay rubber	1	
24	GU30027931	Gasket	1	
25	895347	Holder	1	
26	895348	Cover	1	

Group	FRAME
Code	28.33
Description	Electrical system II
Service	1



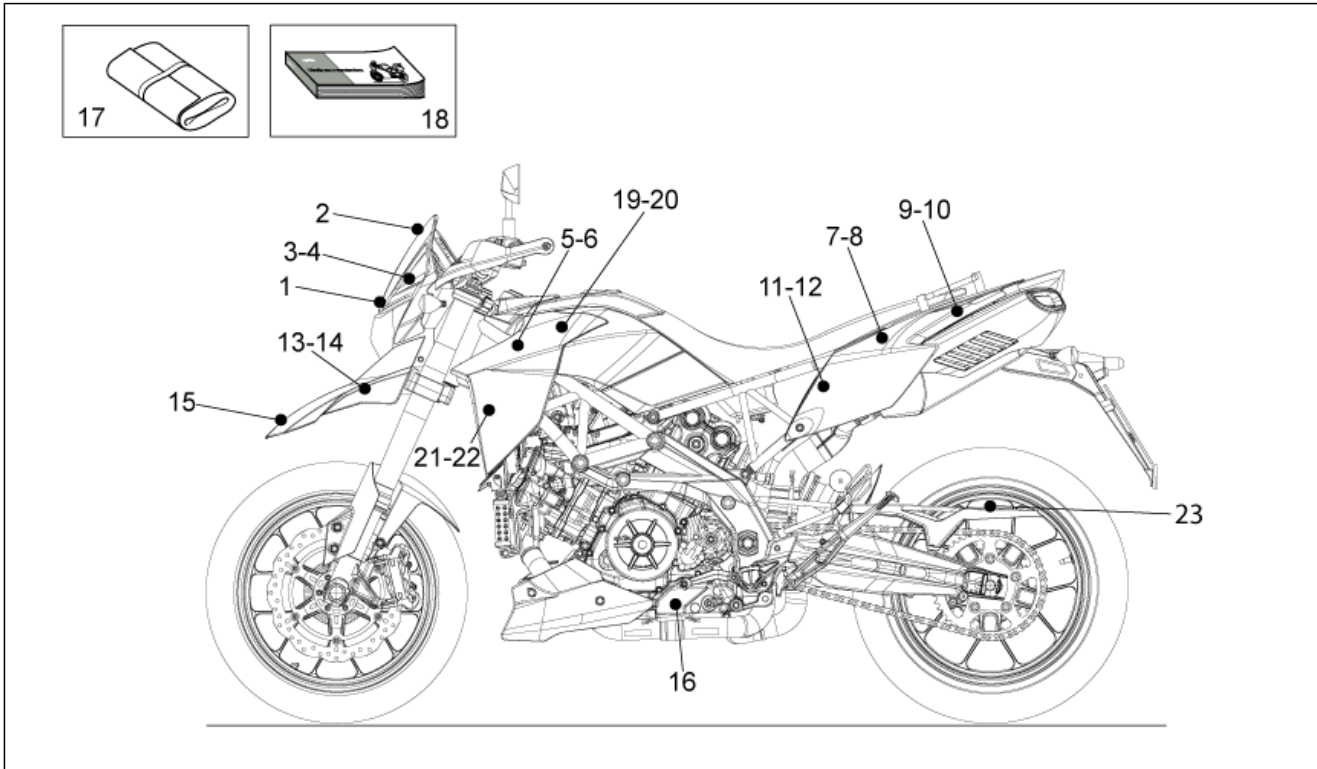
Pos.	Code	Description	Qty	Variants
27	AP8120712	Rubber spacer	2	
28	AP8120030	Rubber spacer	2	
29	AP8221023	T bush	2	
30	AP8150015	Washer 6,6x18x1,6*	2	
31	AP8152279	Screw w/ flange M6x20	2	
32	AP8150509	Self-tap screw 5x14	2	
33	895907	Relay 20A	1	
34	895479	Cable-guide	1	

Group	FRAME
Code	28.34
Description	Lock hardware kit
Service	1



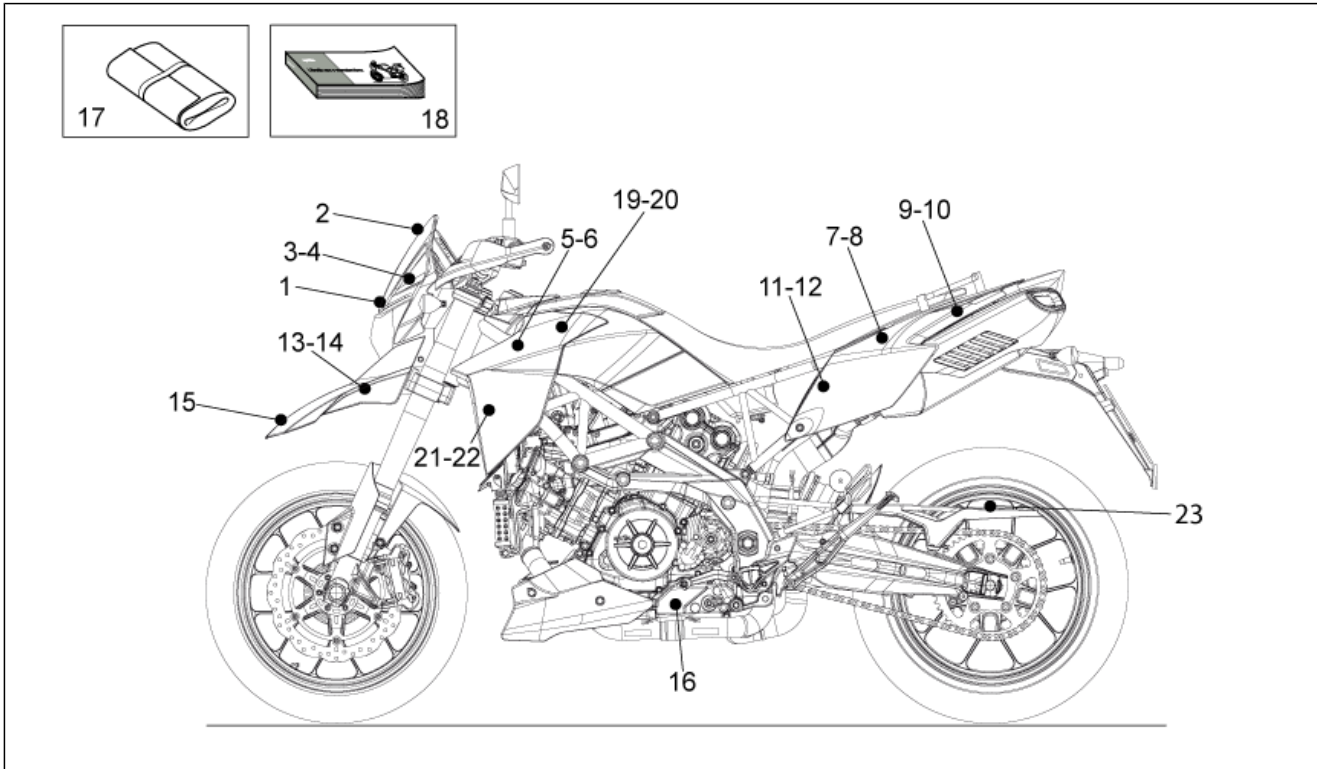
Pos.	Code	Description	Qty	Variants
1	896659	Lock kit	1	Country:europa[EU]
1	896693	Lock kit	1	Country:United States of America[USA]
2	890171	Fuel filler cap	1	Country:europa[EU]
2	890756	Fuel filler cap	1	Country:United States of America[USA]
3	860127	Main switch - steering lock	1	
4	AP9009774	Saddle lock cpl.	1	
5	AP8102913	Pass.saddle connecting plate	1	
6	896660	Saddle release cable	1	
7	AP8150351	Shear rivet M8x40	2	
8	AP8127461	Main switch seal	1	
9	856180	Spacer *	2	
10	AP8152281	Screw w/ flange M6x30	2	
11	254485	Spring plate M6	2	
12	AP8121420	Fork spring	1	
13	AP8154043	flexible control plate	1	
14	AP8104920	"Aprilia" key with transpo.	1	
15	898136	Immobilizer aerial protection	1	

Group	FRAME
Code	28.35
Description	Decal -Toolkit
Service	1



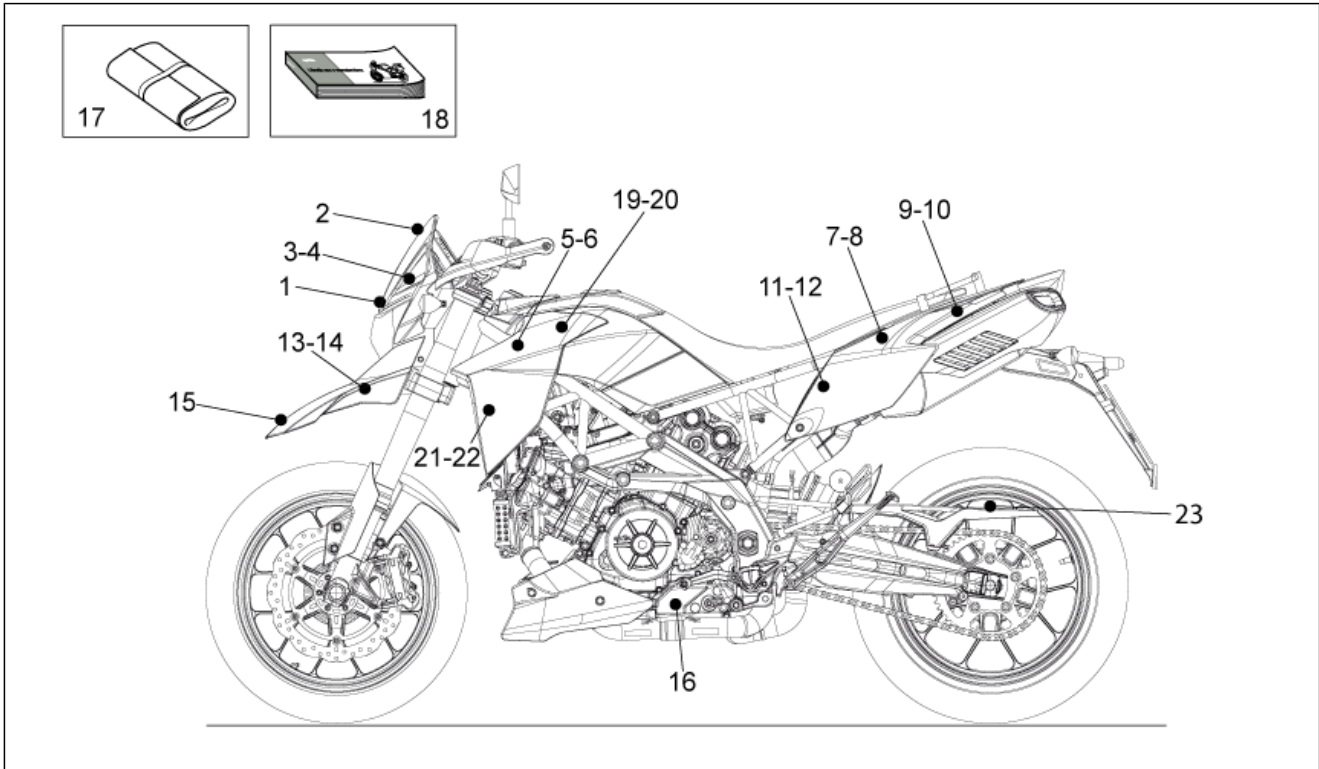
Pos.	Code	Description	Qty	Variants
1	898096	Headlight guard decal "Dorsoduro"	1	
2	895434	Windshield decal	1	
3	898097	Right headlight guard triangle decal	1	
4	898098	Left headlight guard triangle decal	1	
5	898099	Right duct decal "aprilia"	1	Year:2010[A], 2011[B] Vehicle colour:Aprilia Black 2010-2011 (t.s.:898110)[bl], Glam White 2010-2011 (t.s.:898110)[glam]
5	B044285	Right duct decal "aprilia"	1	Year:2012[C] Vehicle colour:Fluor red 2012 (t.s.B044282)[fluo]
5	B044293	Right duct decal "aprilia"	1	Year:2012[C] Vehicle colour:Glam White 2012 (t.s.B044282)[white]
6	898100	Left duct decal "aprilia"	1	Year:2010[A], 2011[B] Vehicle colour:Aprilia Black 2010-2011 (t.s.:898110)[bl], Glam White 2010-2011 (t.s.:898110)[glam]
6	B044286	Left duct decal "aprilia"	1	Year:2012[C] Vehicle colour:Fluor red 2012 (t.s.B044282)[fluo]
6	B044294	Left duct decal "aprilia"	1	Year:2012[C] Vehicle colour:Glam White 2012 (t.s.B044282)[white]
7	898439	RH rear fairing dec. "Dorsoduro"	1	Year:2010[A], 2011[B] Vehicle colour:Aprilia Black 2010-2011 (t.s.:898110)[bl], Glam White 2010-2011 (t.s.:898110)[glam]
7	B044360	RH rear fairing dec. "dorsoduro italia"	1	Year:2012[C] Vehicle colour:Fluor red 2012 (t.s.B044282)[fluo], Glam White 2012 (t.s.B044282)[white]
8	898440	LH rear fairing dec. "Dorsoduro"	1	Year:2010[A], 2011[B] Vehicle colour:Aprilia Black 2010-2011 (t.s.:898110)[bl], Glam White 2010-2011 (t.s.:898110)[glam]
8	B044361	LH rear fairing dec. "dorsoduro italia"	1	Year:2012[C] Vehicle colour:Fluor red 2012 (t.s.B044282)[fluo], Glam White 2012 (t.s.B044282)[white]
9	898104	RH rear fairing dec. "italia"	1	Year:2010[A], 2011[B] Vehicle colour:Aprilia Black 2010-2011 (t.s.:898110)[bl], Glam White 2010-2011 (t.s.:898110)[glam]

Group	FRAME
Code	28.35
Description	Decal -Toolkit
Service	1



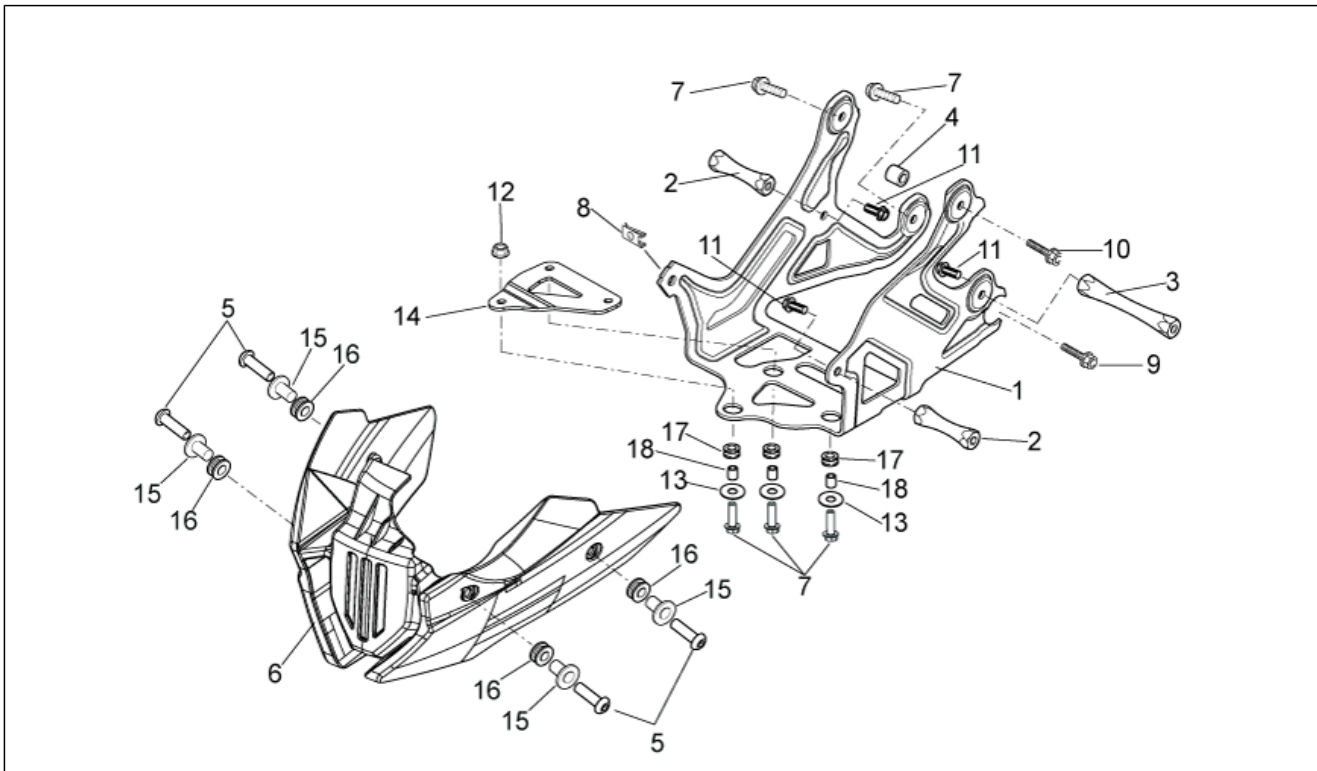
Pos.	Code	Description	Qty	Variants
10	898105	LH rear fairing dec. "italia"	1	Year:2010[A], 2011[B] Vehicle colour:Aprilia Black 2010-2011 (t.s.:898110)[bl], Glam White 2010-2011 (t.s.:898110)[glam]
11	898106	Dec.triangle Rear fairing dx	1	
12	898107	Dec.triangle Rear fairing sx	1	
13	898108	Right front mudguard triangle decal	1	Vehicle colour:Aprilia Black 2010-2011 (t.s.:898110)[bl]
13	898437	Front RH decal	1	Vehicle colour:Glam White 2010-2011 (t.s.:898110)[glam]
13	B044291	Right front mudguard triangle decal	1	Year:2012[C] Vehicle colour:Fluor red 2012 (t.s.B044282)[fluo]
13	B044299	Right front mudguard triangle decal	1	Year:2012[C] Vehicle colour:Glam White 2012 (t.s.B044282)[white]
14	898109	Left front mudguard triangle decal	1	Vehicle colour:Aprilia Black 2010-2011 (t.s.:898110)[bl]
14	898438	Front LH decal	1	Vehicle colour:Glam White 2010-2011 (t.s.:898110)[glam]
14	B044292	Left front mudguard triangle decal	1	Year:2012[C] Vehicle colour:Fluor red 2012 (t.s.B044282)[fluo]
14	B044300	Left front mudguard triangle decal	1	Year:2012[C] Vehicle colour:Glam White 2012 (t.s.B044282)[white]
15	860732	Front mudguard decal aprilia	1	Year:2010[A], 2011[B] Vehicle colour:Aprilia Black 2010-2011 (t.s.:898110)[bl], Glam White 2010-2011 (t.s.:898110)[glam]
15	899867	Front mudguard decal "aprilia racing"	1	Year:2012[C] Vehicle colour:Fluor red 2012 (t.s.B044282)[fluo], Glam White 2012 (t.s.B044282)[white]
16	852029	Decal "AGIP"	1	
17	856833	Toolkit	1	
18	897198	Operator's handbook -USA-	1	Year:2010[A] Country:United States of America[USA]
18	899129	Operator's handbook-i-f-d-	1	Country:europe[EU]
18	B043166	Operator's handbook -USA-	1	Year:2011[B] Country:United States of America[USA]
19	B044287	Right rear duct decal	1	Year:2012[C]

Group	FRAME
Code	28.35
Description	Decal -Toolkit
Service	1



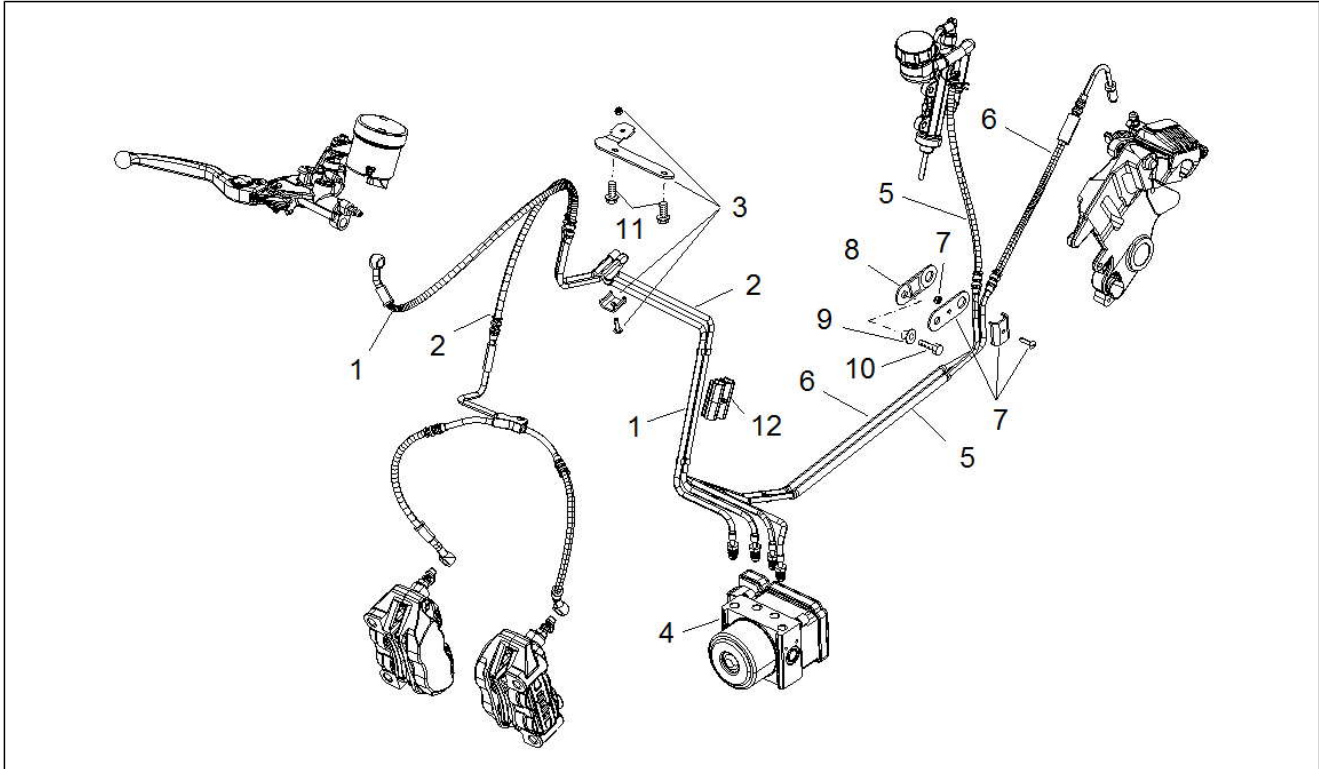
Pos.	Code	Description	Qty	Variants
				Vehicle colour:Fluor red 2012 (t.s.B044282)[fluo]
19	B044295	Right rear duct decal	1	Year:2012[C] Vehicle colour:Glam White 2012 (t.s.B044282)[white]
20	B044288	Left rear duct decal	1	Year:2012[C] Vehicle colour:Fluor red 2012 (t.s.B044282)[fluo]
20	B044296	Left rear duct decal	1	Year:2012[C] Vehicle colour:Glam White 2012 (t.s.B044282)[white]
21	B044289	Right lower duct decal	1	Year:2012[C] Vehicle colour:Fluor red 2012 (t.s.B044282)[fluo]
21	B044297	Right lower duct decal	1	Year:2012[C] Vehicle colour:Glam White 2012 (t.s.B044282)[white]
22	B044290	Left lower duct decal	1	Year:2012[C] Vehicle colour:Fluor red 2012 (t.s.B044282)[fluo]
22	B044298	Left lower duct decal	1	Year:2012[C] Vehicle colour:Glam White 2012 (t.s.B044282)[white]
23	890198	Tyre pressure decal	1	

Group	FRAME
Code	28.54
Description	Holder
Service	1



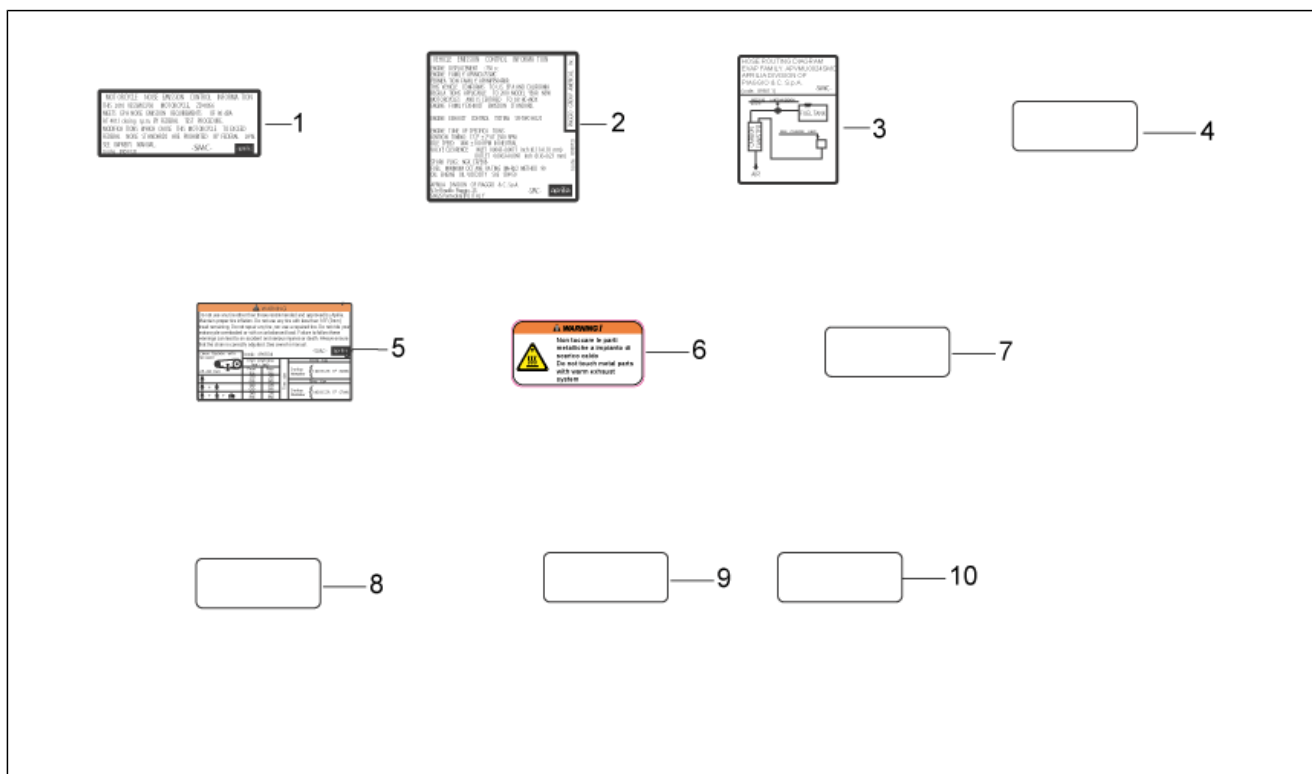
Pos.	Code	Description	Qty	Variants
1	893756	Holder	1	Technical specification:ABS Version[ABS]
2	860628	Spacer	2	Technical specification:ABS Version[ABS]
3	860629	Spacer	1	Technical specification:ABS Version[ABS]
4	860667	Spacer	1	Technical specification:ABS Version[ABS]
5	AP8224470	Hex socket screw M6x20	4	Technical specification:ABS Version[ABS]
6	859793	Pillar	1	Technical specification:ABS Version[ABS]
7	AP8152280	Screw w/ flange M6x25	5	Technical specification:ABS Version[ABS]
8	254485	Spring plate M6	1	Technical specification:ABS Version[ABS]
9	AP8152279	Screw w/ flange M6x20	1	Technical specification:ABS Version[ABS]
10	AP8152282	Screw w/ flange M6x35	1	Technical specification:ABS Version[ABS]
11	AP8152277	Screw w/ flange M6x12	3	Technical specification:ABS Version[ABS]
12	AP8152299	Self-locking nut M6	1	Technical specification:ABS Version[ABS]
13	AP8150015	Washer 6,6x18x1,6*	3	Technical specification:ABS Version[ABS]
14	859789	Plate	1	Technical specification:ABS Version[ABS]
15	AP8121795	T bush	4	Technical specification:ABS Version[ABS]
16	AP8112600	Rubber spacer	4	Technical specification:ABS Version[ABS]
17	AP8120030	Rubber spacer	3	Technical specification:ABS Version[ABS]
18	AP8221007	Spacer 6,5X10X11*	3	Technical specification:ABS Version[ABS]

Group	FRAME
Code	28.55
Description	ABS Brake system
Service	1



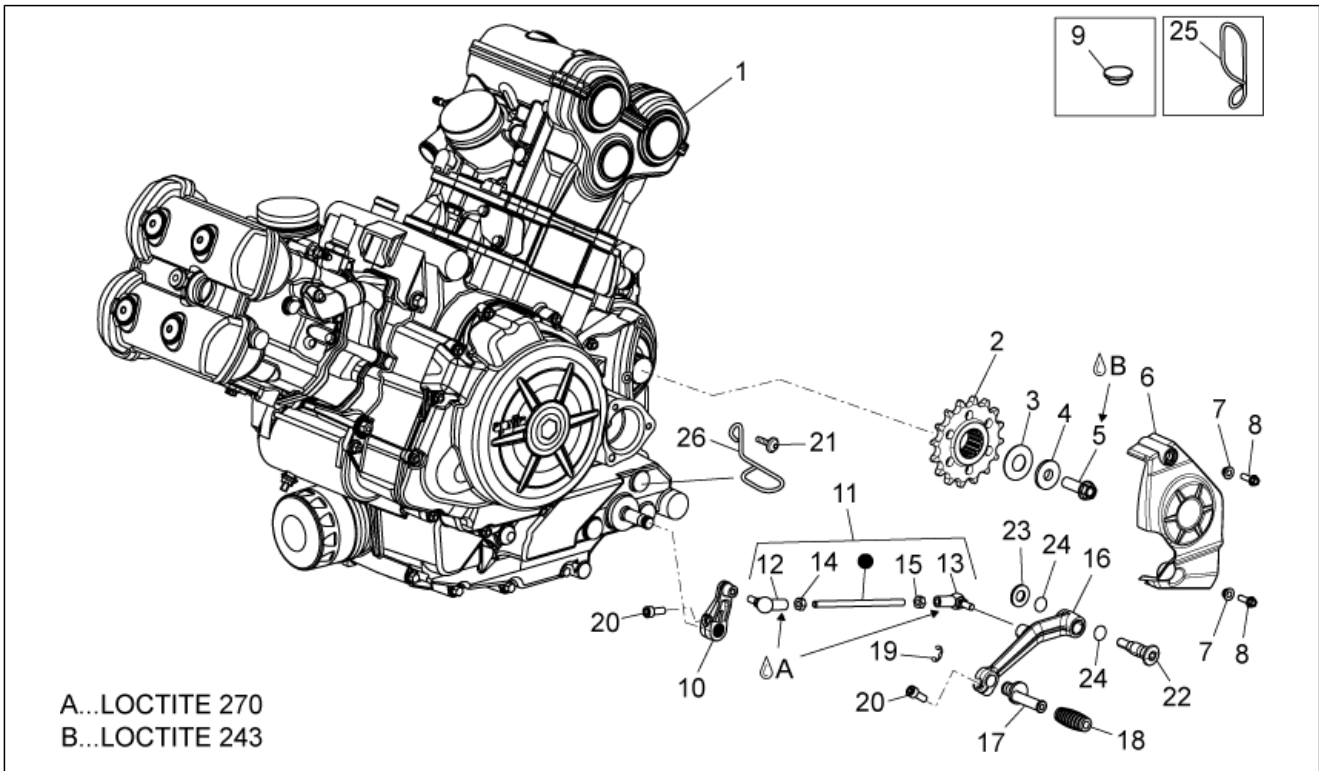
Pos.	Code	Description	Qty	Variants
1	897825	Front brake hose	1	Technical specification:ABS Version[ABS]
2	897826	Front brake pipe Hecu ABS-clamp	1	Technical specification:ABS Version[ABS]
3	860468	Plate	1	Technical specification:ABS Version[ABS]
4	895351	ECU ABS	1	Technical specification:ABS Version[ABS]
5	897819	Rear brake pipe pump-Hecu ABS	1	Technical specification:ABS Version[ABS]
6	897818	Rear brake pipe Hecu ABS-clamp	1	Technical specification:ABS Version[ABS]
7	860484	Plate	1	Technical specification:ABS Version[ABS]
8	860485	Plate	1	Technical specification:ABS Version[ABS]
9	AP8121716	T bush	1	Technical specification:ABS Version[ABS]
10	AP8152287	Screw w/ flange M8x25	1	Technical specification:ABS Version[ABS]
11	AP8152277	Screw w/ flange M6x12	2	Technical specification:ABS Version[ABS]
12	2B000550	Dual cable grommet D12	1	

Group	FRAME
Code	28.56
Description	USA decals
Service	1



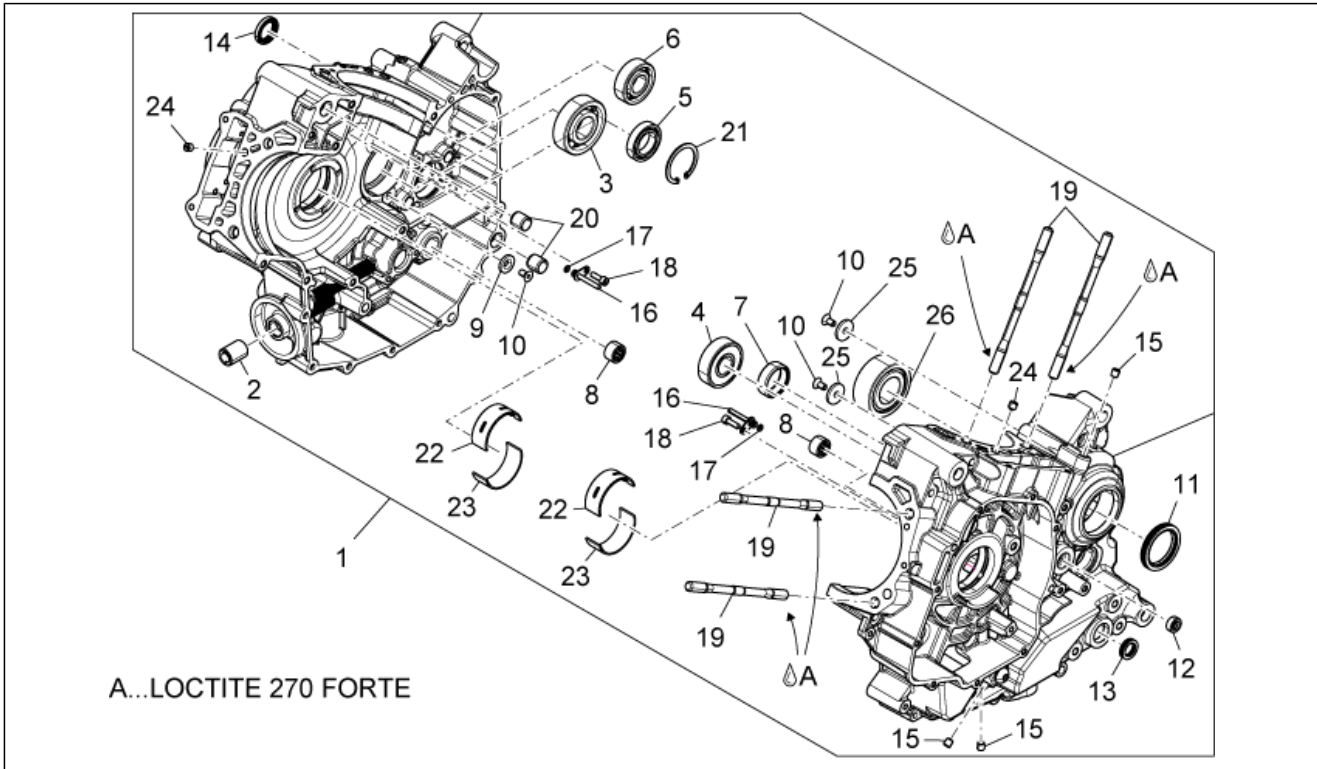
Pos.	Code	Description	Qty	Variants
1	899188	Noise emission sticker	1	Country:United States of America[USA]
1	B045452	Carbon filter sticker	1	Year:2013[D] Country:United States of America[USA]
2	899189	Emission control sticker	1	Country:United States of America[USA]
2	B045451	***Emission control sticker	1	Year:2013[D] Country:United States of America[USA]
3	899187	Carbon filter sticker	1	Country:United States of America[USA]
3	B045450	Noise emission sticker	1	Year:2013[D] Country:United States of America[USA]
4	AP8257794	Battery decal	1	Country:United States of America[USA]
5	897885	Tyre pressure decal	1	Country:United States of America[USA]
6	858588	Decal "WARNING"	1	Country:United States of America[USA]
7	AP8267395	Battery decal	1	Country:United States of America[USA]
8	AP8257755	Liquid cooling sticker	1	Country:United States of America[USA]
9	AP8257742	Keys warning decal	1	Country:United States of America[USA]
10	AP8257609	Mirror decal	1	Country:United States of America[USA]

Group	ENGINE
Code	29.24
Description	Engine
Service	1



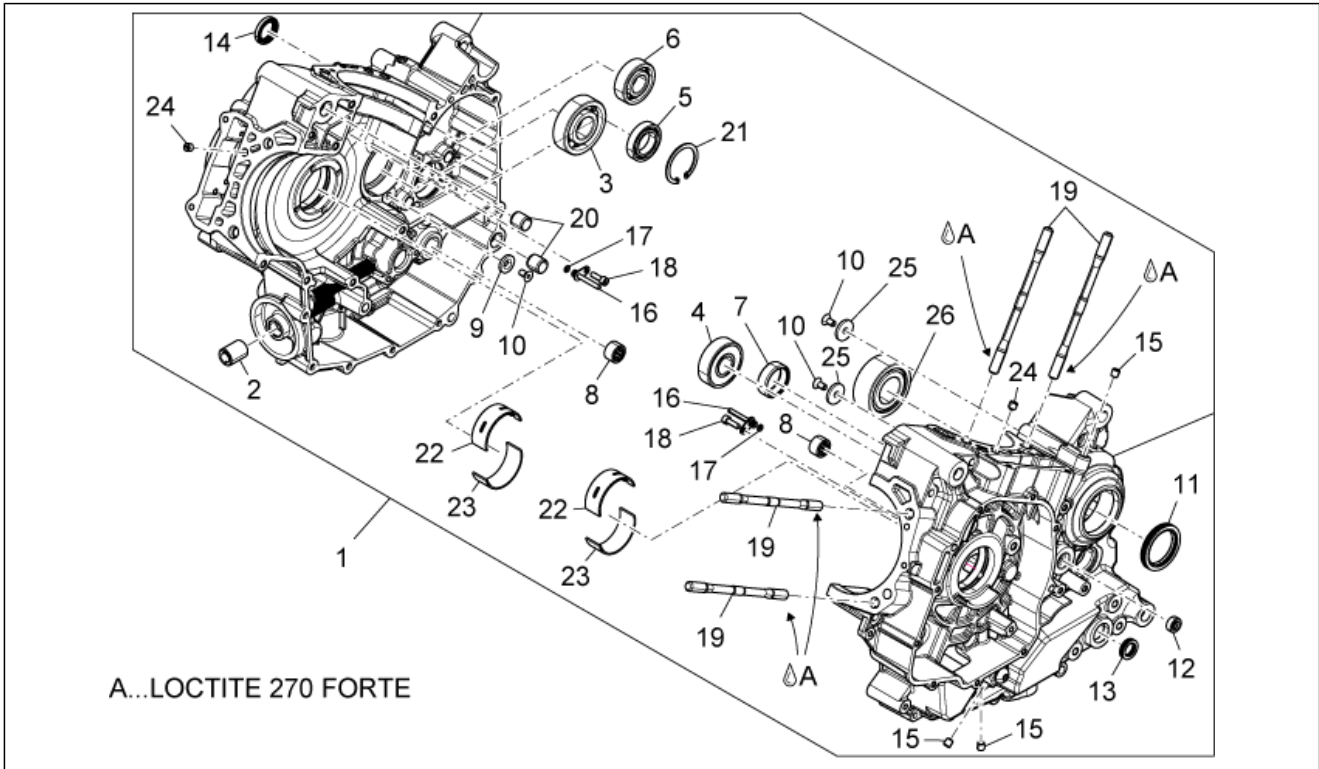
Pos.	Code	Description	Qty	Variants
1	CM1607015	1200 engine	1	Country:europa[EU]
1	CM1607025	***ENG.1200 4S/8V 6M E3 DORSODURO USA S.P.	1	Country:United States of America[USA]
2	974556	Pinion Z=16	1	
3	854909	Belleville spring	1	
4	854951	T bush	1	
5	AP9100389	Screw w/ flange M10x1,25	1	
6	856069	Sprocket cover	1	
7	AP8121811	T bush	2	
8	AP8152277	Screw w/ flange M6x12	2	
9	AP8102600	Cover	2	
10	852480	Gear lever	1	
11	859976	Gearbox linkage rod assy	1	
12	AP8210007	RH ball joint M6	1	
13	AP8110053	Left ball joint M6	1	
14	AP8152138	Nut	1	
15	AP8150026	Nut M6	1	
16	860402	Gear lever	1	
17	AP8121221	Brake lever pin	1	
18	AP8120912	Lever rubber	1	
19	AP8150462	Circlip d9	1	
20	AP8150137	Hex socket screw	2	
21	AP8152055	Hex socket screw M8x12	2	
22	AP8121223	Rear brake lever pin	1	
23	AP8150020	Washer 10,5x21x2*	1	
24	AP8144007	O-ring 11,11x1,78	2	
25	AP8121889	Cable-guide	2	
26	AP8221114	Cable-guide	2	

Group	ENGINE
Code	29.36
Description	Crankcases I
Service	1



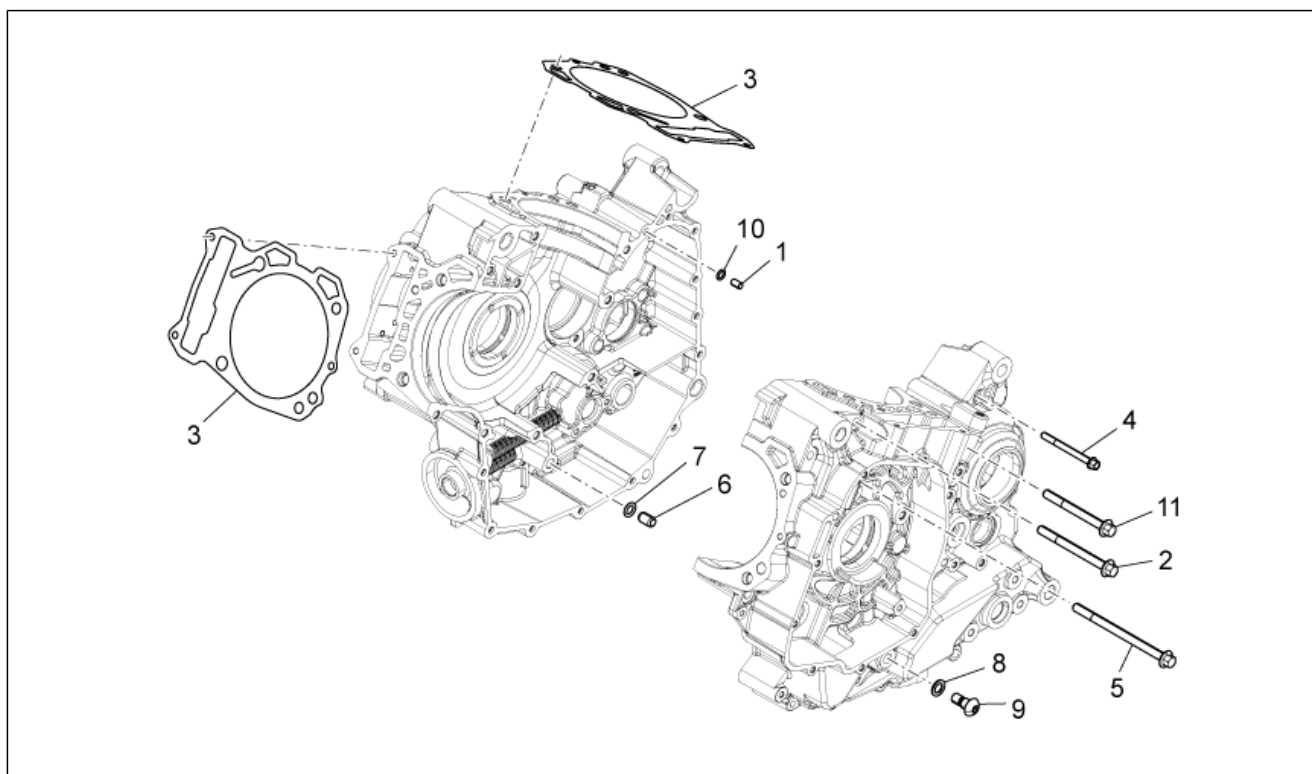
Pos.	Code	Description	Qty	Variants
1	8809935001	Crankcase assembly 1A	1	Technical specification:"Pump ""A""""[PA]
1	8809935002	Crankcase assembly 2A	1	Technical specification:"Pump ""A""""[PA]
1	8809935003	Crankcase assembly 1B	1	Technical specification:"Pump ""A""""[PA]
1	8809935004	Crankcase assembly 2B	1	Technical specification:"Pump ""A""""[PA]
1	B0142551A	Crankcase assembly 1A	1	Technical specification:"Pump ""B""""[PB]
1	B0142551B	Crankcase assembly 1B	1	Technical specification:"Pump ""B""""[PB]
1	B0142552A	Crankcase assembly 2A	1	Technical specification:"Pump ""B""""[PB]
1	B0142552B	Crankcase assembly 2B	1	Technical specification:"Pump ""B""""[PB]
2	829122	Oil filter union	1	
3	875936	Ball bearing 25x62x17	1	
4	875838	Ball bearing 20X52X15	1	
5	872033	Ball bearing 25x42x9	1	
6	848650	Ball bearing 20x47x14	1	
7	974129	Cage à rouleaux 30x37x12	1	
8	122671	Cage à rouleaux	2	
9	873905	Washer	1	
10	B013608	Screw	3	
11	848474	Gasket ring	1	
12	825577	Gasket ring 8x16x7	1	
13	974112	Gasket ring 14x22x5	1	
14	82897R	Gasket ring 20x30x5	1	
15	876748	Plug	4	
16	878567	Jet	2	
17	487073	Gasket ring	2	
18	B013349	Screw	2	
19	877281	Stud bolt M10X1.25X166	8	
20	974051	Locating dowel (D.15,8)	2	
21	006642	Circlip	1	

Group	ENGINE
Code	29.36
Description	Crankcases I
Service	1



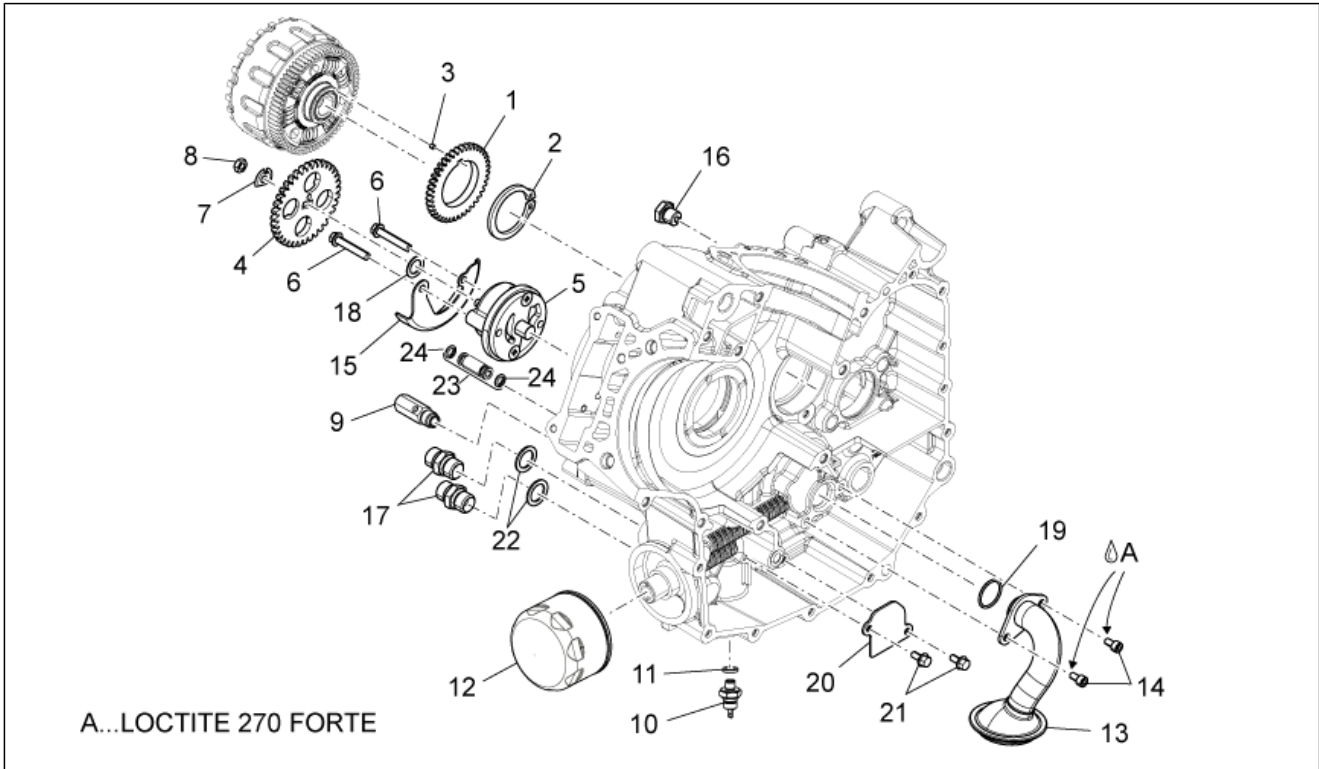
Pos.	Code	Description	Qty	Variants
22	8783940001	Bushing,red cat A	2	
22	8783940002	Bushing,blue cat B	2	
22	8783940003	Bushing,yellow cat C	2	
22	8783940004	Bushing, green cat D	2	
23	8793650001	Bushing,red	2	
23	8793650002	Bushing,blue	2	
23	8793650003	Bushing,yellow	2	
23	8793650004	Bushing, green	2	
24	876320	Calibrated dowel 1.8	2	
25	873928	Washer	2	
26	875935	Radial ball bearing	1	

Group	ENGINE
Code	29.37
Description	Crankcases II
Service	1



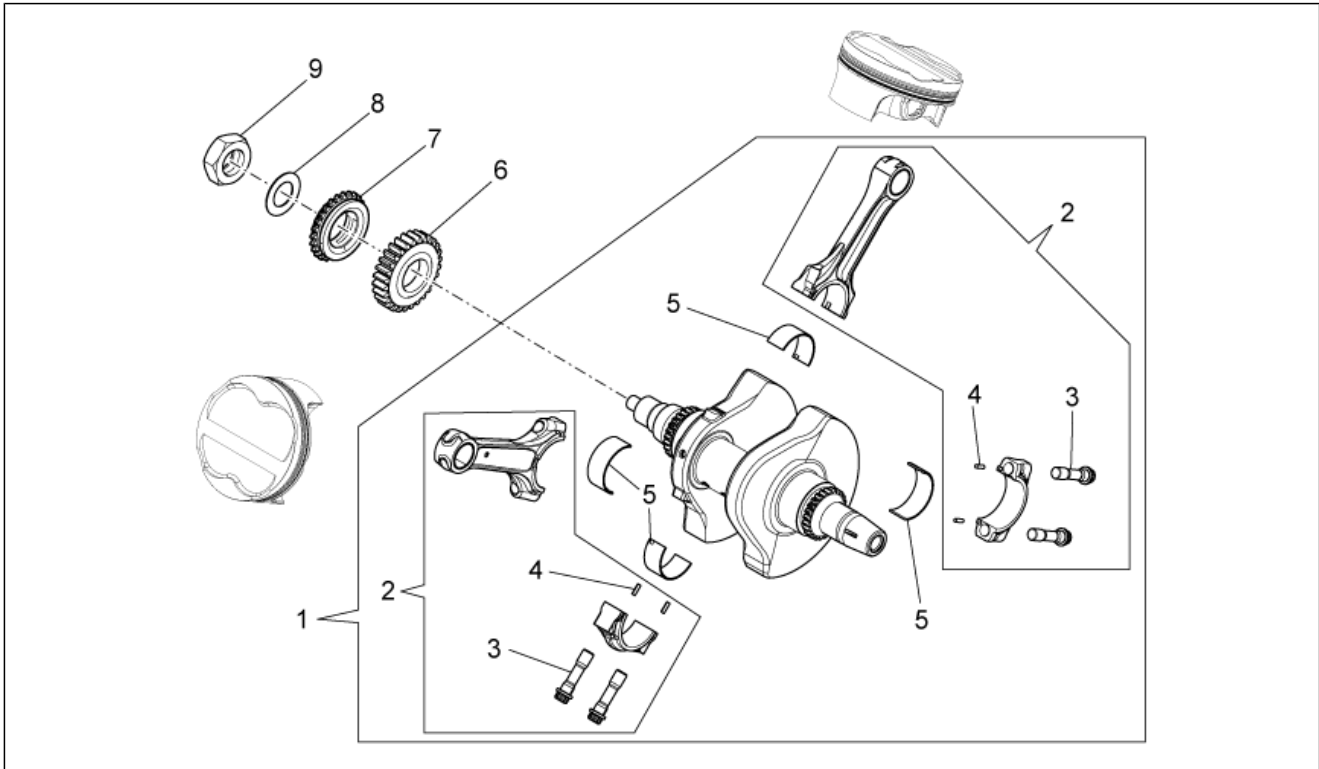
Pos.	Code	Description	Qty	Variants
1	874598	Locating dowel D6	1	
2	877814	***FLANGED HEXAGONAL HEAD SCREW	2	
3	CM159601	Cylinder base gasket 0,4	1	
3	CM159602	Cylinder base gasket 0,5	1	
3	CM159603	Cylinder base gasket 0,6	1	
4	874548	Screw w/ flange M6x65	11	
5	872182	Hex screw M8x120	1	
6	239388	Pin 6,5x9,5x15	1	
7	878434	O-ring	1	
8	969973	Washer	1	
9	B013063	Special screw	1	
10	224035	O-ring	1	
11	874546	Hex screw M8X80	6	

Group	ENGINE
Code	29.38
Description	Oil pump
Service	1



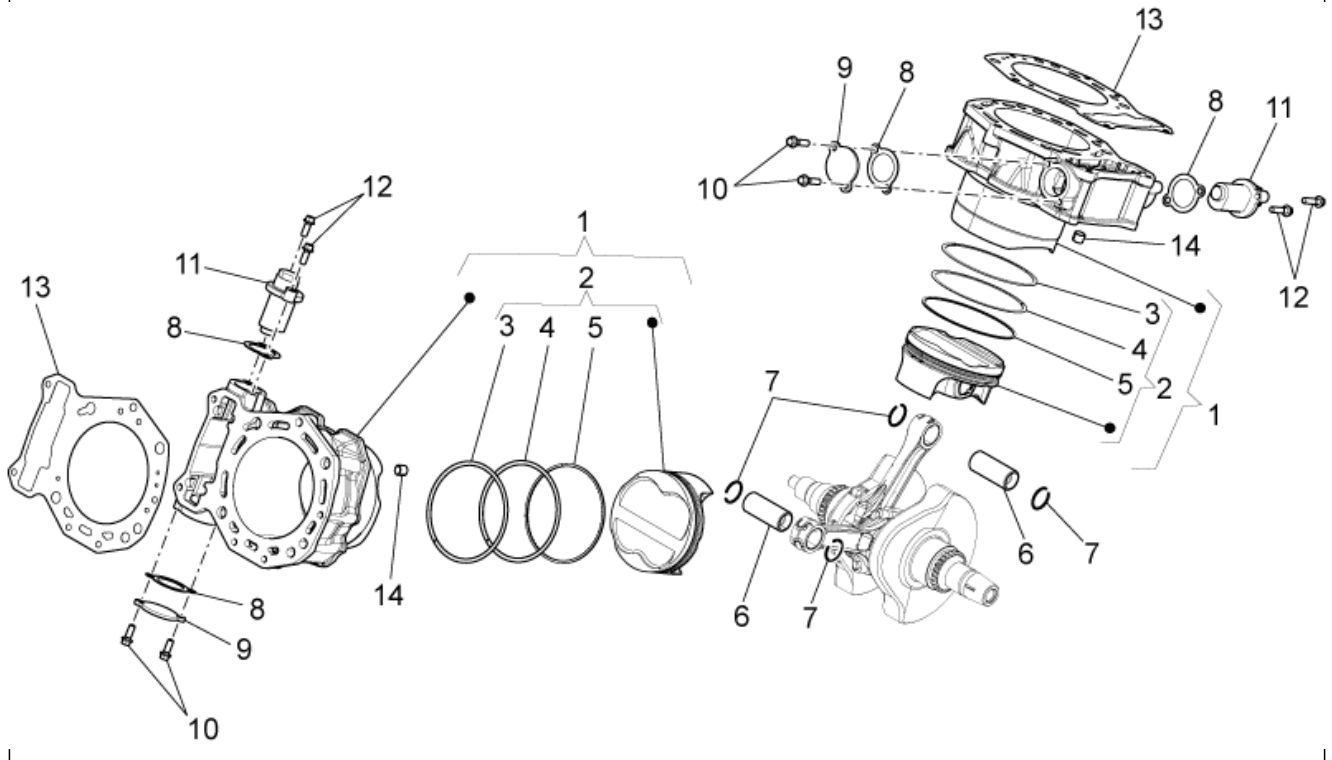
Pos.	Code	Description	Qty	Variants
1	974517	Oil pump gear	1	
2	006450	Snap ring	1	
3	974157	Roller	1	
4	873866	Oil pump gear	1	
5	873863	Oil pump assy.	1	
6	878871	Screw w/ flange	2	
7	873974	Safety washer	1	
8	873906	Low nut	1	
9	876486	Oil pressure adjusting valve	1	
10	641541	Oil pressure sensor	1	
11	AP9150472	Washer 10,5x17x1,5	1	
12	82960R	Oil filter	1	
13	879550	-	1	
14	709099	Hex socket screw M6x16	2	
15	878523	Oil pump bulkhead	1	
16	875358	Oil unload plug	1	
17	GU01161331	Reduction	2	
18	974290	Shim washer	1	
19	969323	O-ring	1	
20	878401	Plate BY-Pass	1	
21	484123	Screw w/ flange	2	
22	GU01154230	Gasket	2	
23	879250	Pipe	1	
24	877135	O-Ring seal ring	2	

Group	ENGINE
Code	29.39
Description	Drive shaft
Service	1



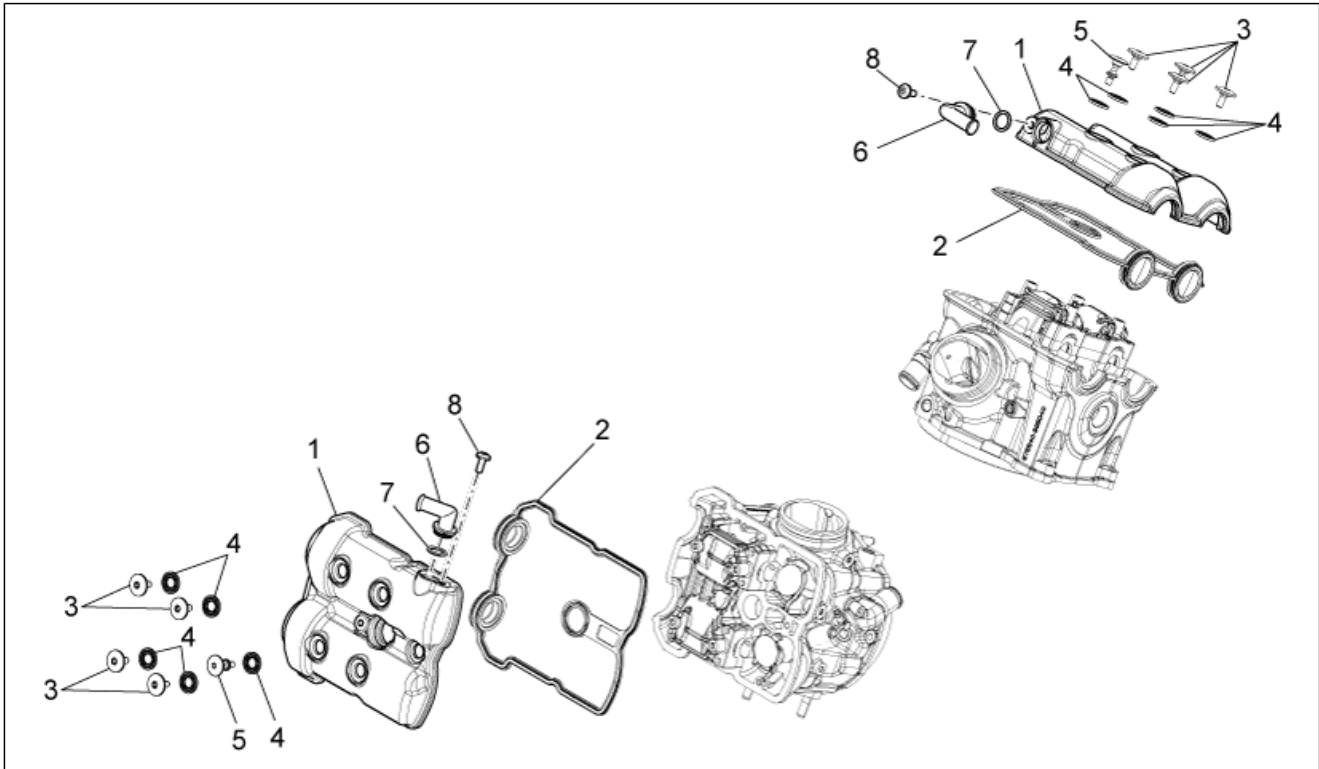
Pos.	Code	Description	Qty	Variants
1	8801545001	Crankshaft cpl. Cat.1	1	
1	8801545002	Crankshaft cpl.,cat.2	1	
1	B0144170A	Crankshaft cpl.,cat.1	1	
1	B0144170B	Crankshaft cpl.,cat.2	1	
2	8766665001	Connecting rod cat A	2	
2	8766665002	Connecting rod cat B	2	
3	849131	Connecting rod screw	2	
4	847906	Roller	2	
5	8781140001	Bushing, green "E"	4	
5	8781140002	Bushing,red "A"	4	
5	8781140003	Bushing,blue "B"	4	
5	8781140004	Bushing,yellow "C"	4	
6	CM159101	Primary drive gear Z=40	1	
6	CM159102	Primary drive gear Z=40	1	
7	B013373	Water pump pinion	1	
8	847915	Flat washer	1	
9	878296	Nut	1	

Group	ENGINE
Code	29.40
Description	Cylinder with piston
Service	1



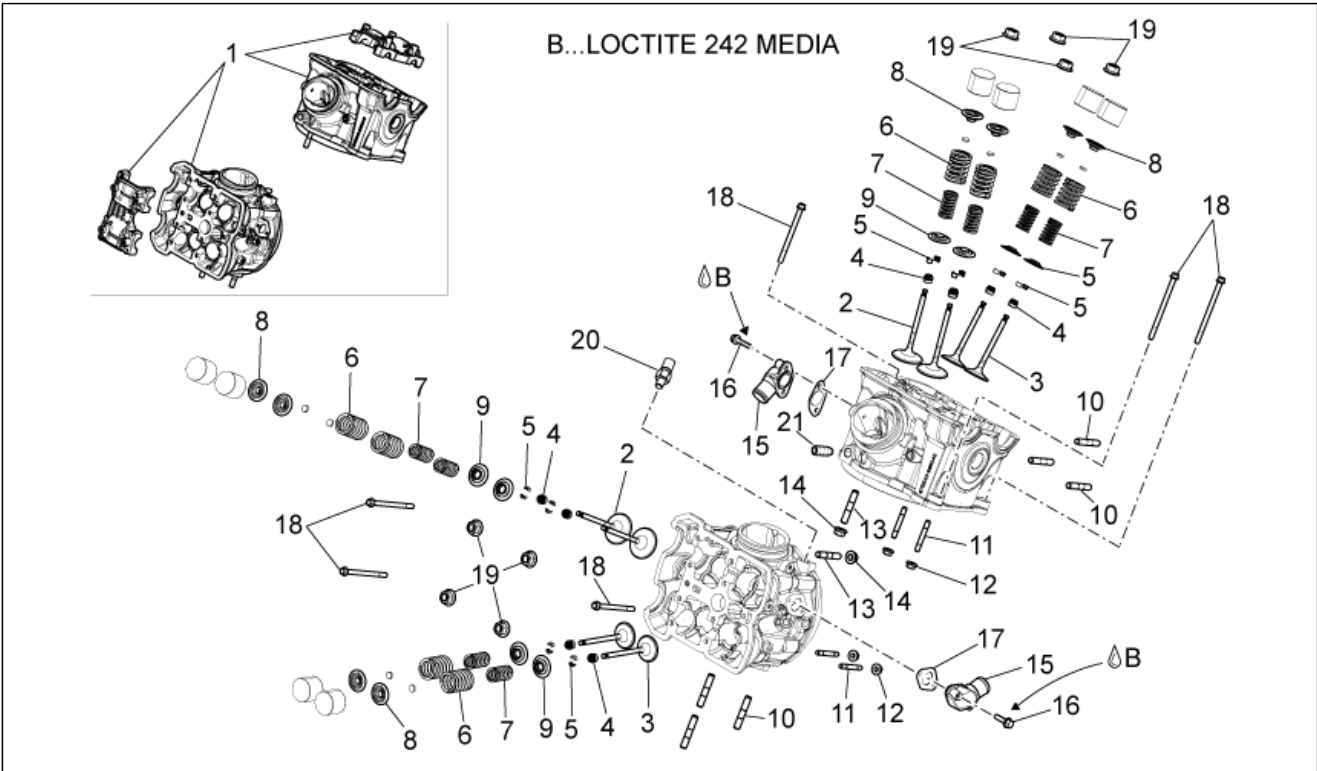
Pos.	Code	Description	Qty	Variants
1	875889	Cylinder with piston	2	
2	B0132565001	Piston assy "A"	2	
2	B0132565002	Piston assy "B"	2	
2	B0132565003	Piston assy "C"	2	
2	B0132565004	Piston assy "D"	2	
3	B013265	Ring	2	
4	B013266	Oil scraper ring	2	
5	878661	Oil scraper ring	2	
6	876707	Piston pin	2	
7	874567	Stop ring	4	
8	880079	Gasket	4	
9	880233	Plate	2	
10	874554	Screw w/ flange M6x14	4	
11	880235	Chain tensioner bracket	2	
12	874549	Screw w/ flange	4	
13	875397	Cylinder head gasket	2	
14	825597	Pin 11,8X10	3	

Group	ENGINE
Code	29.41
Description	Valves cover
Service	1



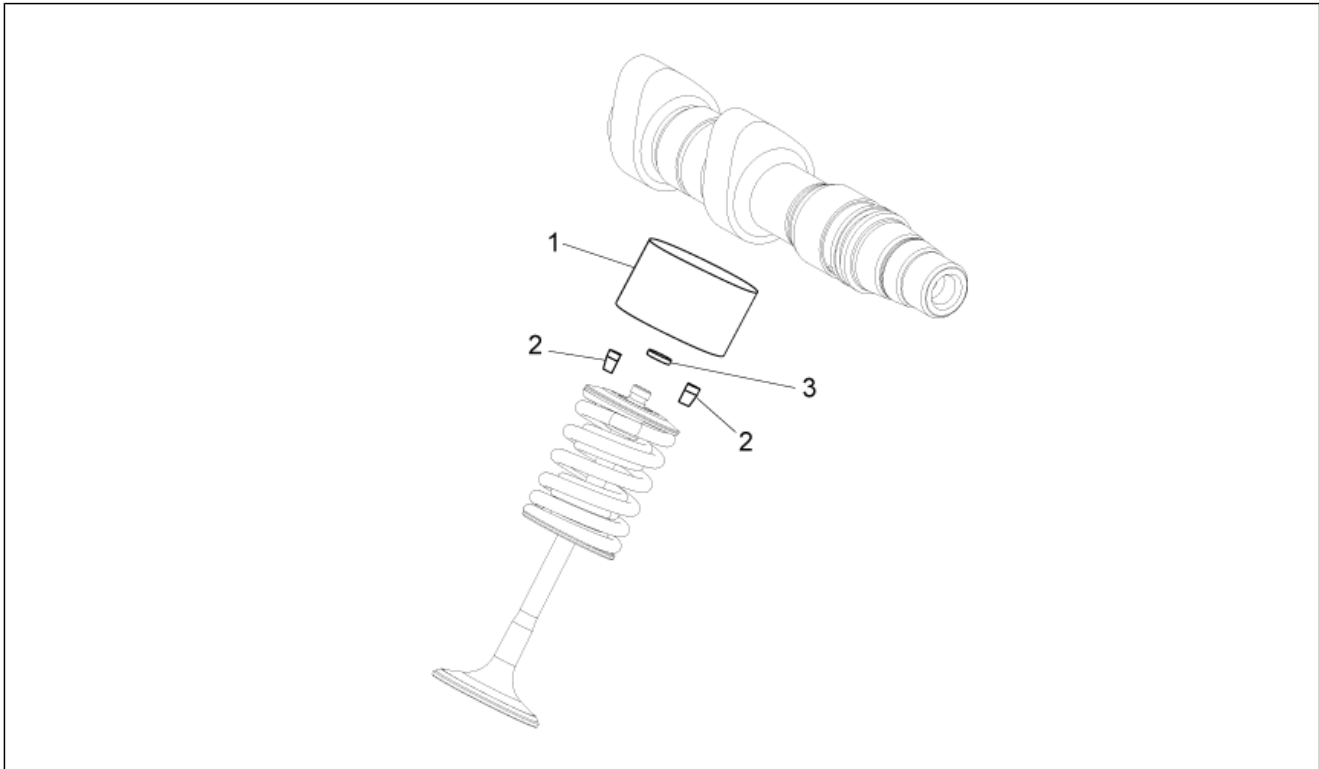
Pos.	Code	Description	Qty	Variants
1	879883	Head cover	2	
2	879532	Head cover gasket	2	
3	842291	Special screw	8	
4	830249	Damper drift	8	
5	880734	Special screw	2	
6	879855	Oil breather union	8	
7	879948	O-ring	8	
8	CM179301	Screw M6x16	2	

Group	ENGINE
Code	29.42
Description	Cylinder head - valves
Service	1



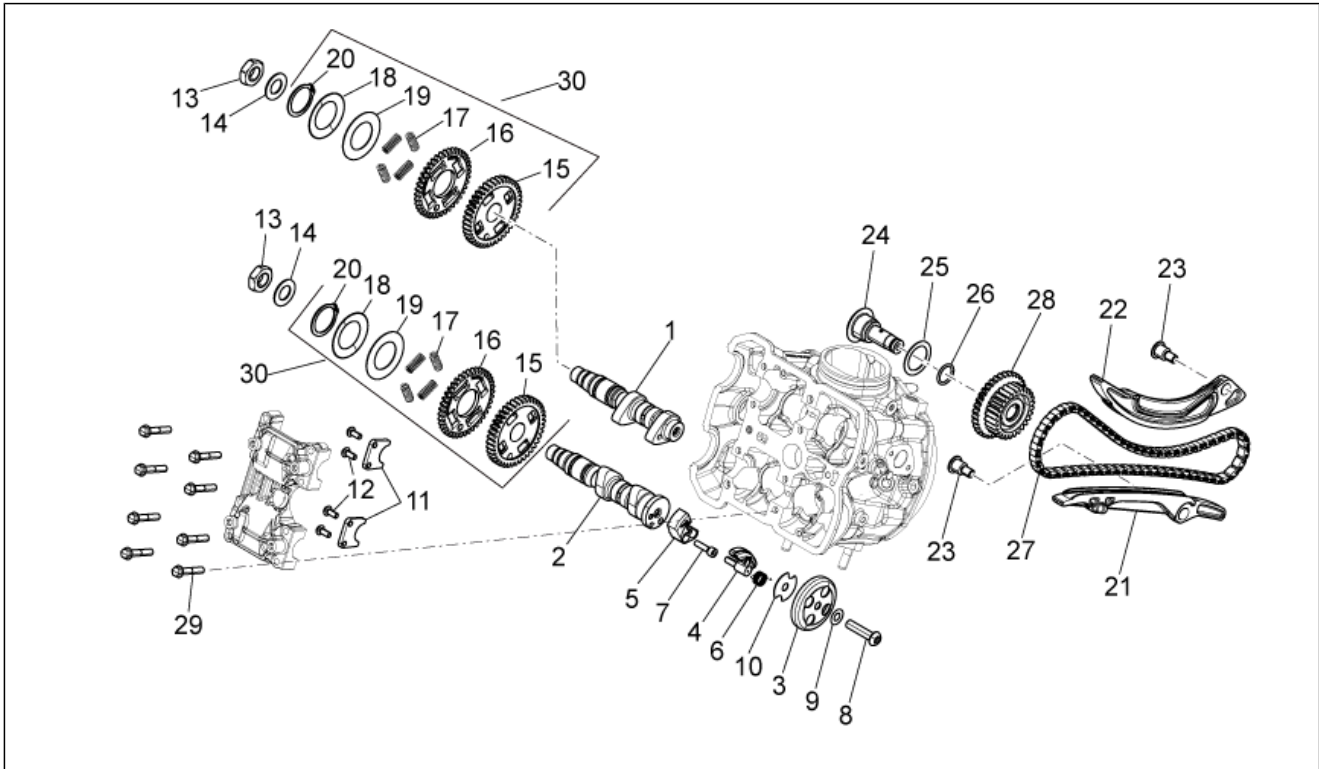
Pos.	Code	Description	Qty	Variants
1	B013431	Cylinder head	2	
2	879858	Intake valve	4	
3	879127	Exhaust valve	4	
4	871642	Valve gasket ring	8	
5	871640	Half-cone	16	
6	878808	Ext. valve spring	8	
7	878809	Int. valve spring	8	
8	878806	Upper cap	8	
9	878807	Lower cap	8	
10	484706	Stud bolt	6	
11	872807	Stud bolt	4	
12	874558	Flanged nut	4	
13	827018	Exhaust pipe stud bolt M8X3X46	2	
14	874557	Flanged nut M8x1,25	2	
15	B013070	Water hose union	2	
16	855799	Screw w/ flange	4	
17	878705	Gasket	2	
18	874746	Screw w/ flange M6x90	6	
19	825694	Nut M10x1,25	8	
20	640485	Temperature gauge	1	
21	411311	Plug	1	

Group	ENGINE
Code	29.43
Description	Valves pads
Service	1



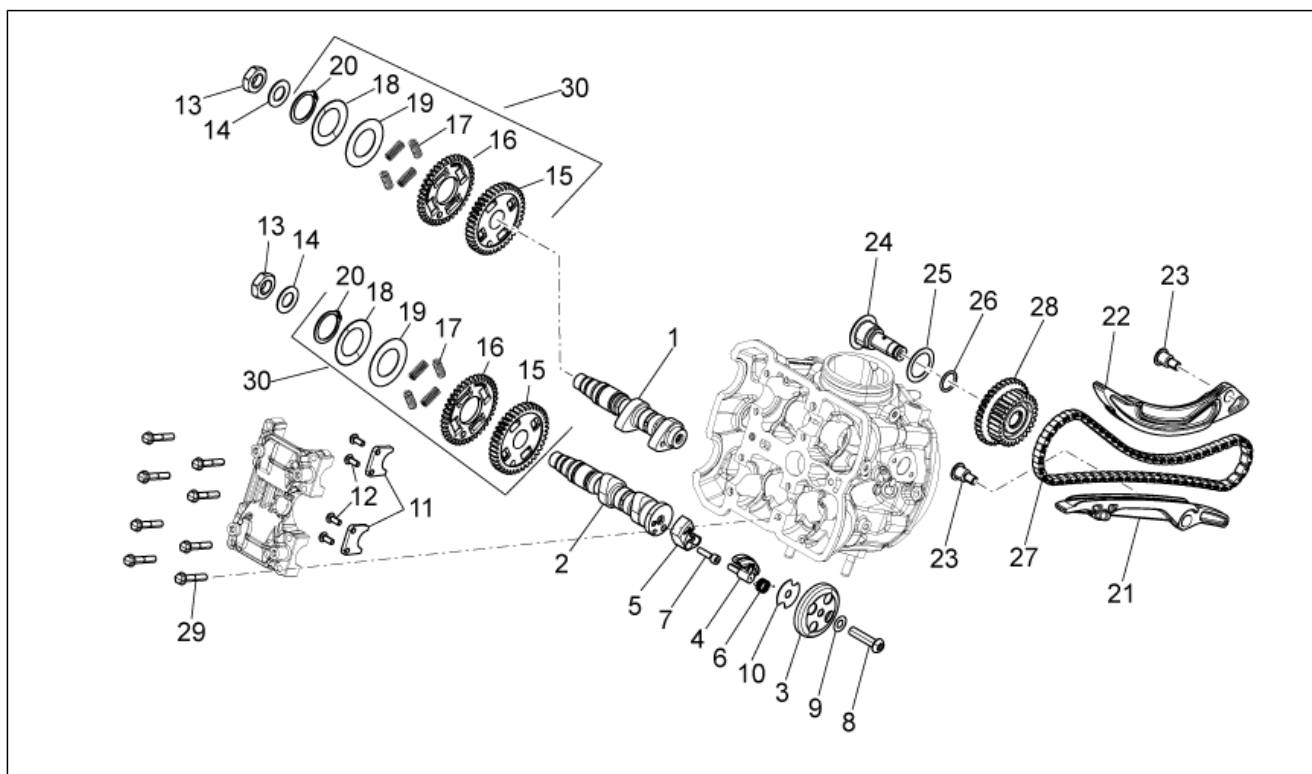
Pos.	Code	Description	Qty	Variants
1	873131	Valve lifter bucket	8	
2	871640	Half-cone	16	
3	CM157201	Calibrated tablet 2.60	1	
3	CM157202	Calibrated tablet 2.65	1	
3	CM157203	Calibrated tablet 2.70	1	
3	CM157204	Calibrated tablet 2.75	1	
3	CM157205	Calibrated tablet 2.80	1	
3	CM157206	Calibrated tablet 2.85	1	
3	CM157207	Calibrated tablet 2.90	1	
3	CM157208	Calibrated tablet 2.95	1	
3	CM157209	Calibrated tablet 3.00	1	
3	CM157210	Calibrated tablet 3.05	1	
3	CM157211	Calibrated tablet 3.10	1	
3	CM157212	Calibrated tablet 3.15	1	
3	CM157213	Calibrated tablet 3.20	1	
3	CM157214	Calibrated tablet 3.25	1	
3	CM157215	Calibrated tablet 3.30	1	
3	CM157216	Calibrated tablet 3.35	1	
3	CM157217	Calibrated tablet 3.40	1	
3	CM157218	Calibrated tablet 2.55	1	
3	CM157219	Calibrated tablet 2.50	1	
3	CM157220	Calibrated tablet 2.45	1	
3	CM157221	Calibrated tablet 2.40	1	

Group	ENGINE
Code	29.44
Description	Front cylinder timing system
Service	1



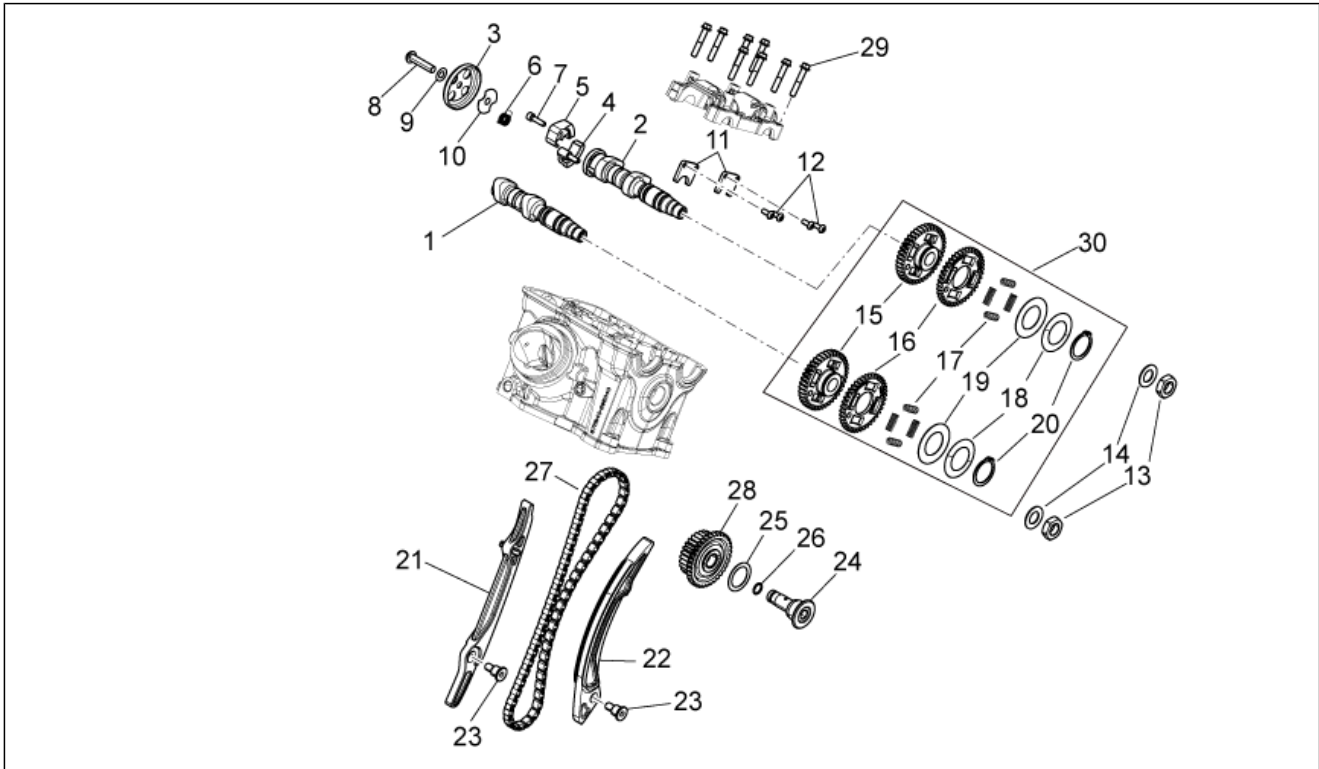
Pos.	Code	Description	Qty	Variants
1	B013533	Intake camshaft	1	
2	B013531	Exhaust camshaft	1	
3	876087	Decompression bell	1	
4	876113	Decompression counterweight	1	
5	876143	Decompressor counterweight	1	
6	876171	Decompression spring	1	
7	877885	Hex socket screw	1	
8	877884	Torx convex big end screw	1	
9	287073	Shim washer	1	
10	879523	Special washer	1	
11	877829	Axial retaining element	2	
12	878869	Torx Screw M5x12	4	
13	874751	Nut M15x1 DX	2	
14	874744	Thrust washer	2	
15	875878	Camshaft gear	2	
16	876494	Camshaft dual gear	2	
17	849721	Spring	8	
18	849718	Belleville spring	2	
19	849720	Washer	2	
20	006429	Snap ring	2	
21	871798	Chain guide plate	1	
22	880231	Chain tensioner rod	1	
23	878868	Spacer screw M8	2	
24	874591	Special screw	1	
25	849817	Safety washer	1	
26	873233	Gasket ring	1	
27	875411	Chain 114 mesh	1	
28	8756994	Timing gear	1	

Group	ENGINE
Code	29.44
Description	Front cylinder timing system
Service	1



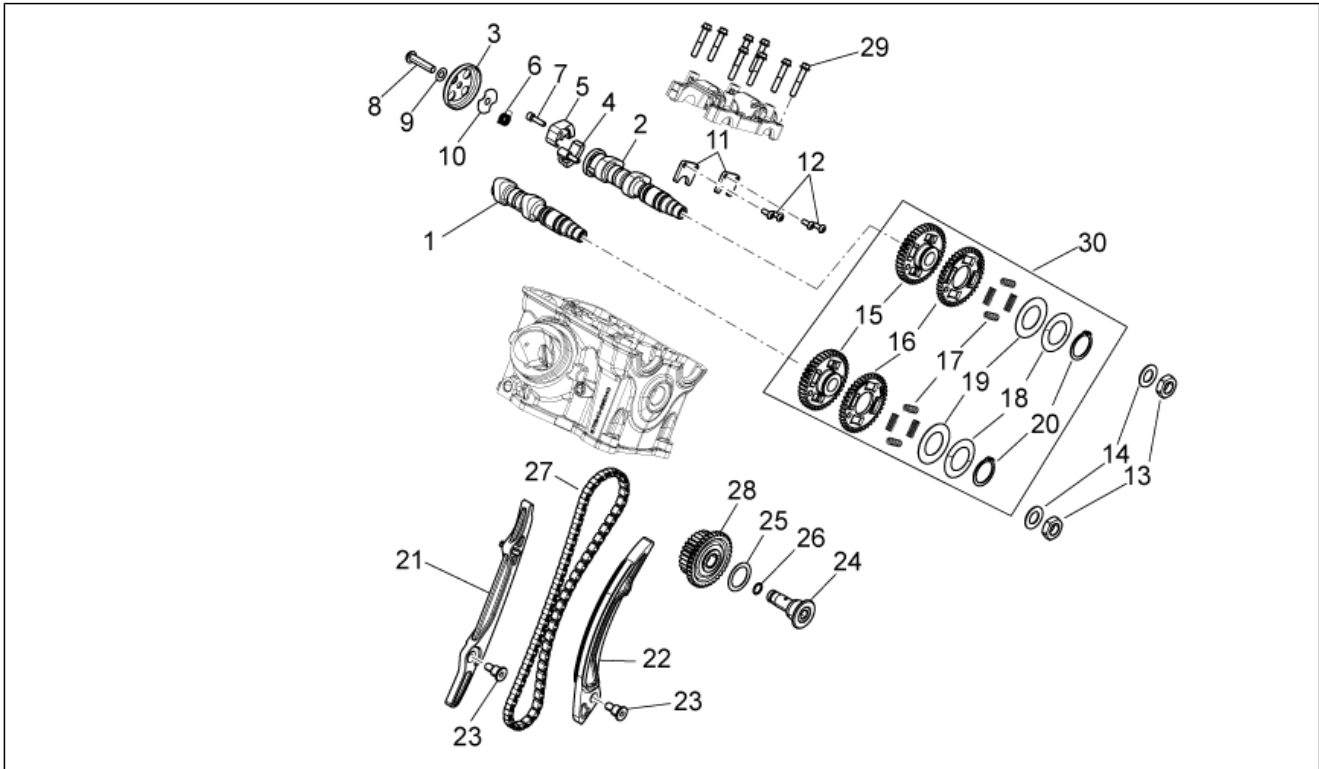
Pos.	Code	Description	Qty	Variants
29	414838	screw M6x35	8	
30	875879	Complete front camshaft axle gear	1	

Group	ENGINE
Code	29.45
Description	Rear cylinder timing system
Service	1



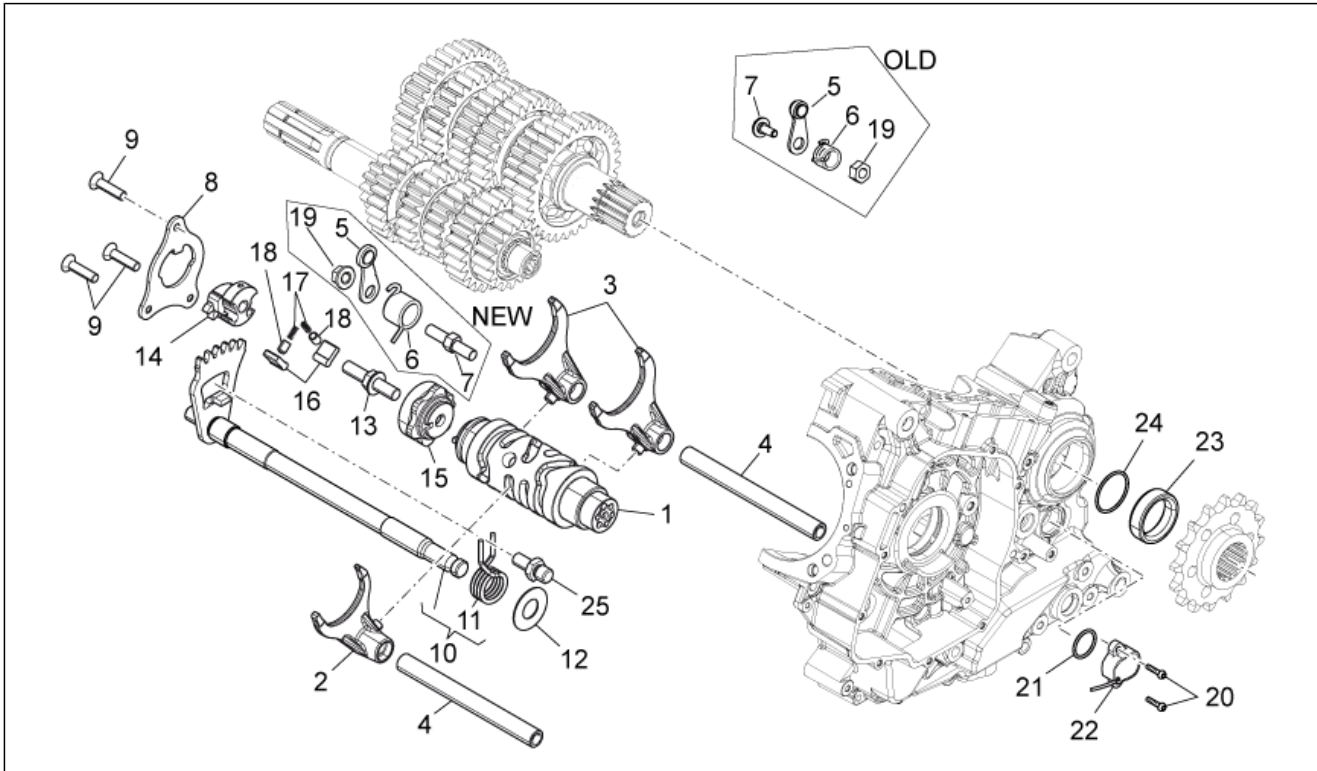
Pos.	Code	Description	Qty	Variants
1	B013538	Intake camshaft	1	
2	B013536	Exhaust camshaft	1	
3	876087	Decompression bell	1	
4	875373	Decompression counterweight	1	
5	875644	Decompressor counterweight	1	
6	880064	Decompression spring	1	
7	877885	Hex socket screw	1	
8	877884	Torx convex big end screw	1	
9	287073	Shim washer	1	
10	879523	Special washer	1	
11	877829	Axial retaining element	2	
12	B014598	Torx Screw M5x12	4	
13	874752	Nut M15x1 SX	2	
14	874744	Thrust washer	2	
15	875878	Camshaft gear	2	
16	876494	Camshaft dual gear	2	
17	849721	Spring	8	
18	849718	Belleville spring	2	
19	849720	Washer	2	
20	006429	Snap ring	2	
21	871798	Chain guide plate	1	
22	880231	Chain tensioner rod	1	
23	878868	Spacer screw M8	2	
24	874591	Special screw	1	
25	849817	Safety washer	1	
26	873233	Gasket ring	1	
27	875411	Chain 114 mesh	1	
28	8756994	Timing gear	1	

Group	ENGINE
Code	29.45
Description	Rear cylinder timing system
Service	1



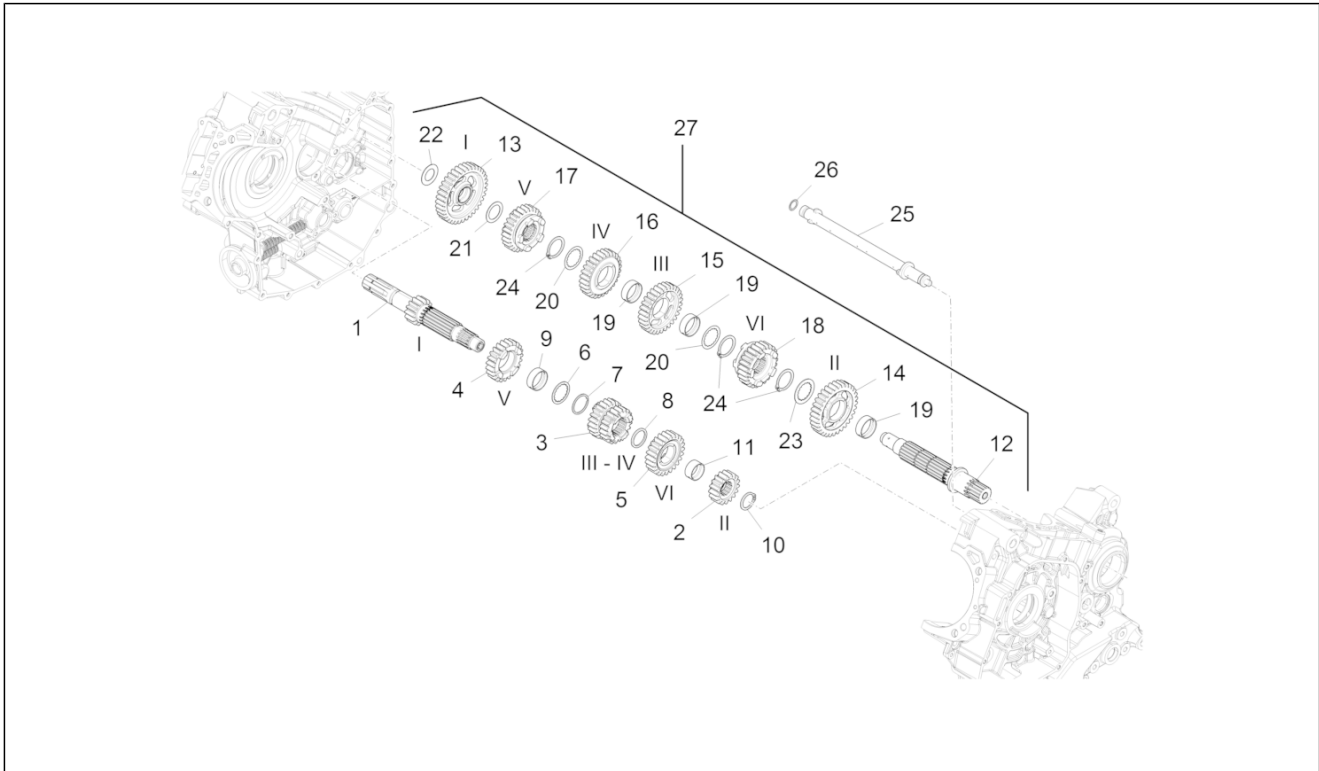
Pos.	Code	Description	Qty	Variants
29	414838	screw M6x35	8	
30	875880	Camshaft gear post.	1	

Group	ENGINE
Code	29.46
Description	Gear box selector
Service	1



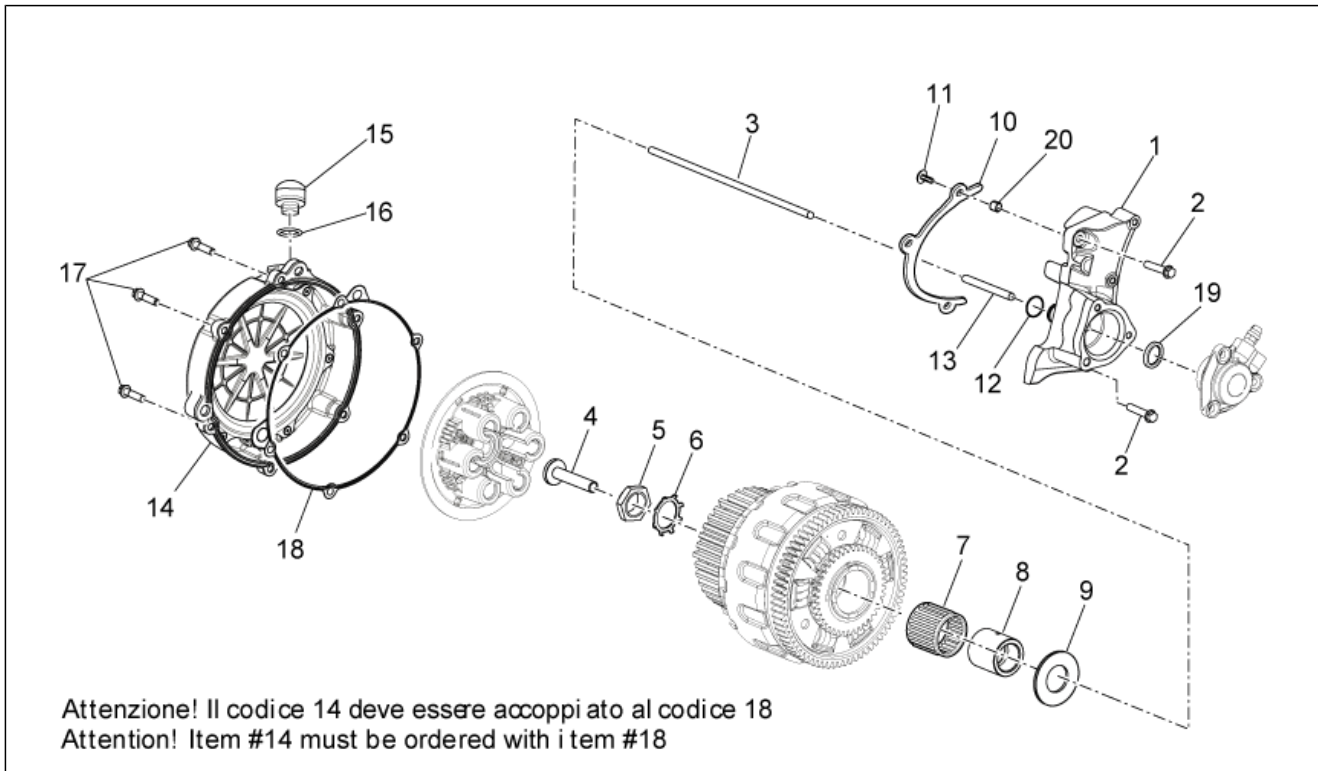
Pos.	Code	Description	Qty	Variants
1	875796	Shift cam cpl.	1	
2	874599	Fork output	1	
3	879554	Fork output	2	
4	873772	Fork shaft	2	
5	872154	Index assy. lever	1	
6	B013306	Gear stop lever spring	1	
7	879129	Screw with bushing M6X1X15	1	Technical specification: Up to engine number M555M 1493[OLD]
7	B013928	Threaded pin	1	Technical specification: From engine number M555M 1494[NEW]
8	871649	Selector lock plate	1	
9	878867	screw	3	
10	874129	Gear shaft+spring cpl.	1	
11	971719	Switch plate spring	1	
12	971718	Flat washer 14X30X1	1	
13	878870	Threaded pin M8x1,25	1	
14	872560	Shift cam plate	1	
15	B013362	Selector drum	1	
16	AP9150069	Lever	2	
17	AP9150064	Spring	2	
18	AP9150070	Spring pillar	2	
19	597565	Self locking nut	1	
20	875173	Torx convex big end screw	2	
21	877441	Packing	1	
22	857265	Gear position sensor	1	
23	974558	Spacer	1	
24	871901	Gasket OR	1	
25	974130	Selector lock	1	

Group	ENGINE
Code	29.47
Description	Gear box
Service	1



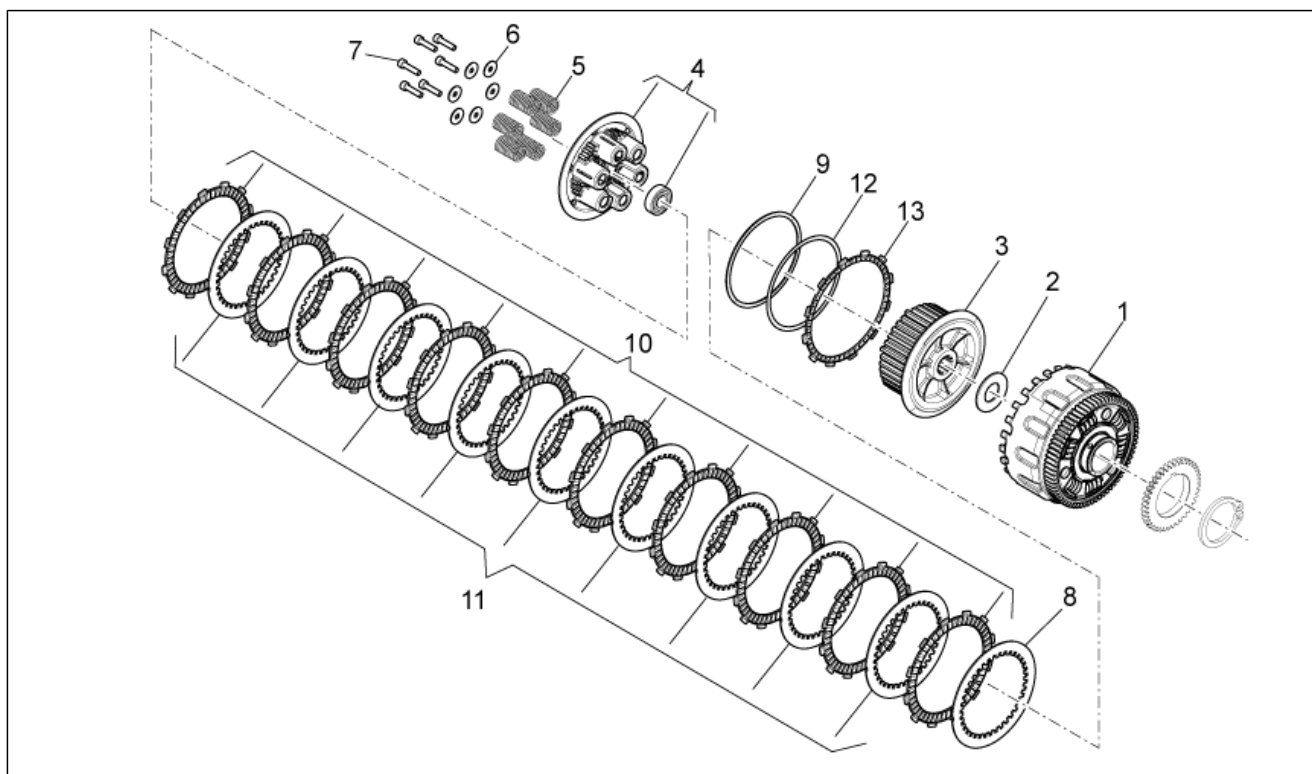
Pos.	Code	Description	Qty	Variants
1	880191	Primary gear shaft	1	
2	880193	2nd pinion gear	1	
3	880194	3rd-4th pinion gear	1	
4	880195	5th pinion gear	1	
5	880196	6th pinion gear	1	
6	849424	Clearance washer	1	
7	849426	Snap ring	1	
8	974163	Clearance washer	1	
9	849308	Moveable bush	1	
10	974165	Snap ring	1	
11	974162	Moveable bush	1	
12	876561	Driven shaft	1	
13	876559	1st wheel gear	1	
14	876569	2nd wheel gear	1	
15	880197	3rd wheel gear	1	
16	880198	4th wheel gear	1	
17	880199	5th wheel gear	1	
18	880200	6th wheel gear	1	
19	849308	Moveable bush	3	
20	849310	Clearance washer	2	
21	974167	Clearance washer	1	
22	974166	Clearance washer	1	
23	849309	Clearance washer	1	
24	849311	Snap ring	3	
25	876546	Lubrication	1	
26	224035	O-ring	1	
27	880080	Gear box assy	1	

Group	ENGINE
Code	29.48
Description	Clutch I
Service	1



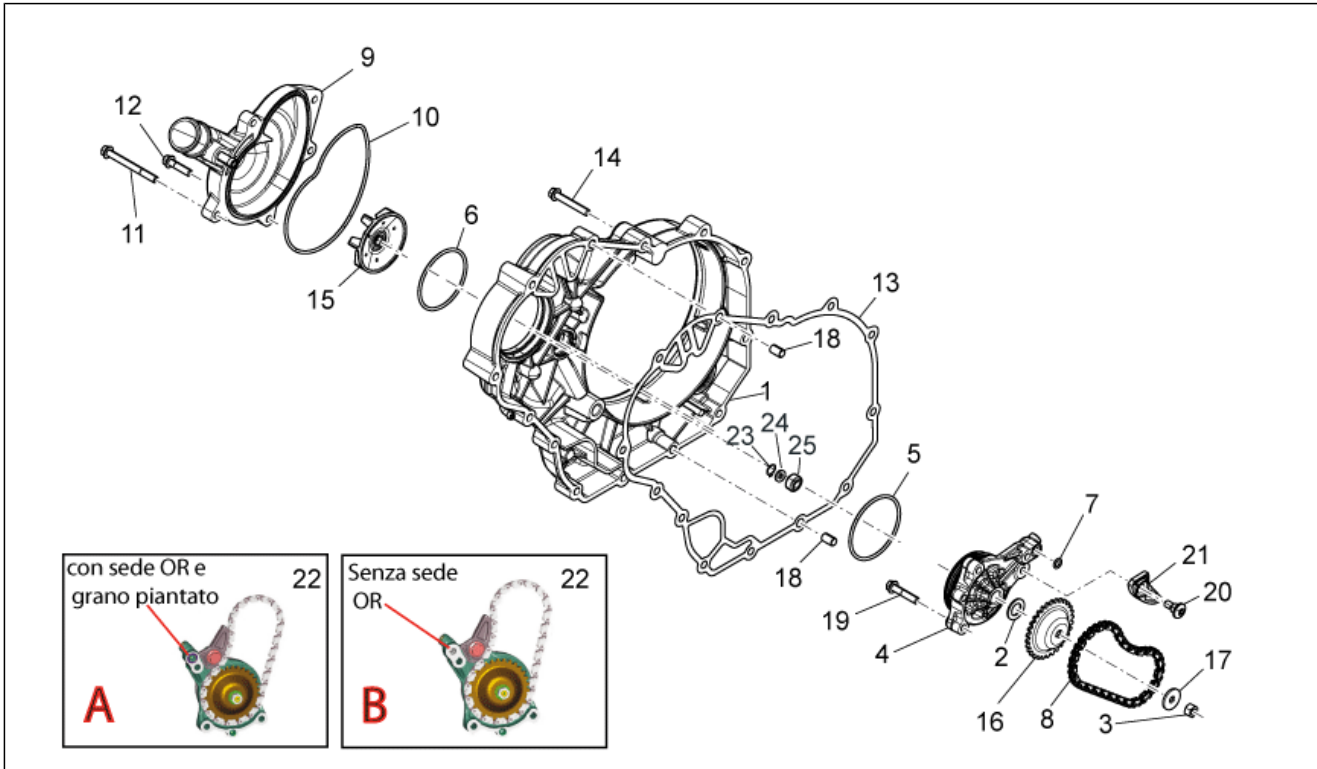
Pos.	Code	Description	Qty	Variants
1	B013074	Clutch disengagement flange	1	
2	872421	Screw w/ flange	2	
3	874660	Clutch shaft	1	
4	872550	Rod	1	
5	877424	Nut	1	
6	876296	Safety washer	1	
7	974361	Roller cage 35X40X35,8	1	
8	873543	Spacer	1	
9	974320	Washer	1	
10	873117	Chain guide	1	
11	658778	TCCEI screw M5x20	3	
12	871609	Gasket ring "OR"	1	
13	874191	Pawl clutch	1	
14	880779	Clutch cover	1	
15	AP9150410	Oil plug M20x1,5	1	
16	974230	Gasket ring OR	1	
17	874551	Screw w/ flange	6	
18	B013607	Clutch crancase gasket	1	
19	825577	Gasket ring 8x16x7	1	
20	877195	Spacer	1	

Group	ENGINE
Code	29.49
Description	Clutch II
Service	1



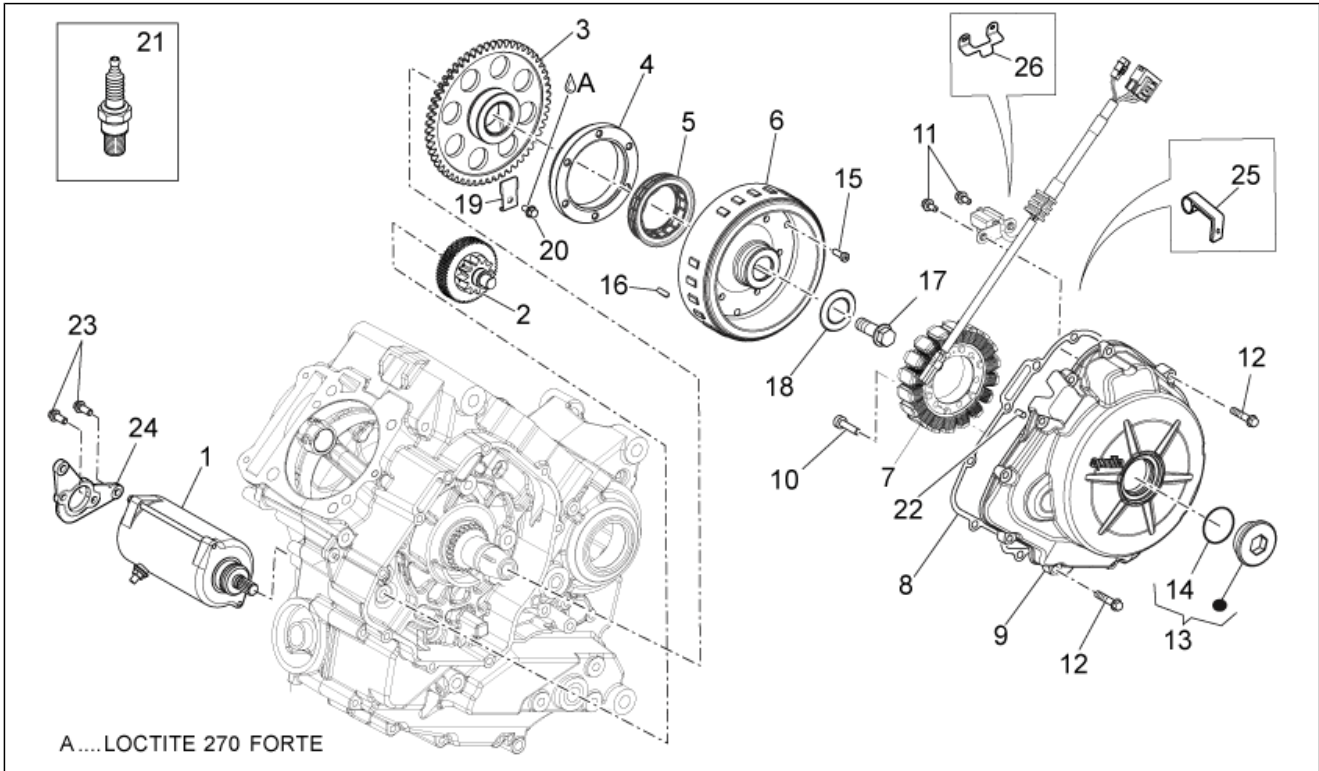
Pos.	Code	Description	Qty	Variants
1	880871	Clutch housing, complete	1	
2	974320	Washer	1	
3	878845	Clutch hub	1	
4	873719	Clutch pressure plate	1	
5	879175	Pressure plate spring	6	
6	879176	Cup	6	
7	873718	Hex socket screw M6	6	
8	875691	Nitrurated driven clutch disc	1	
9	875223	Belleville spring	1	
10	877812	Driving clutch disc	10	
11	875690	Driven clutch disc	9	
12	875222	belleville spring washer	1	
13	875224	Lathed driving clutch disc	1	

Group	ENGINE
Code	29.50
Description	Water pump
Service	1



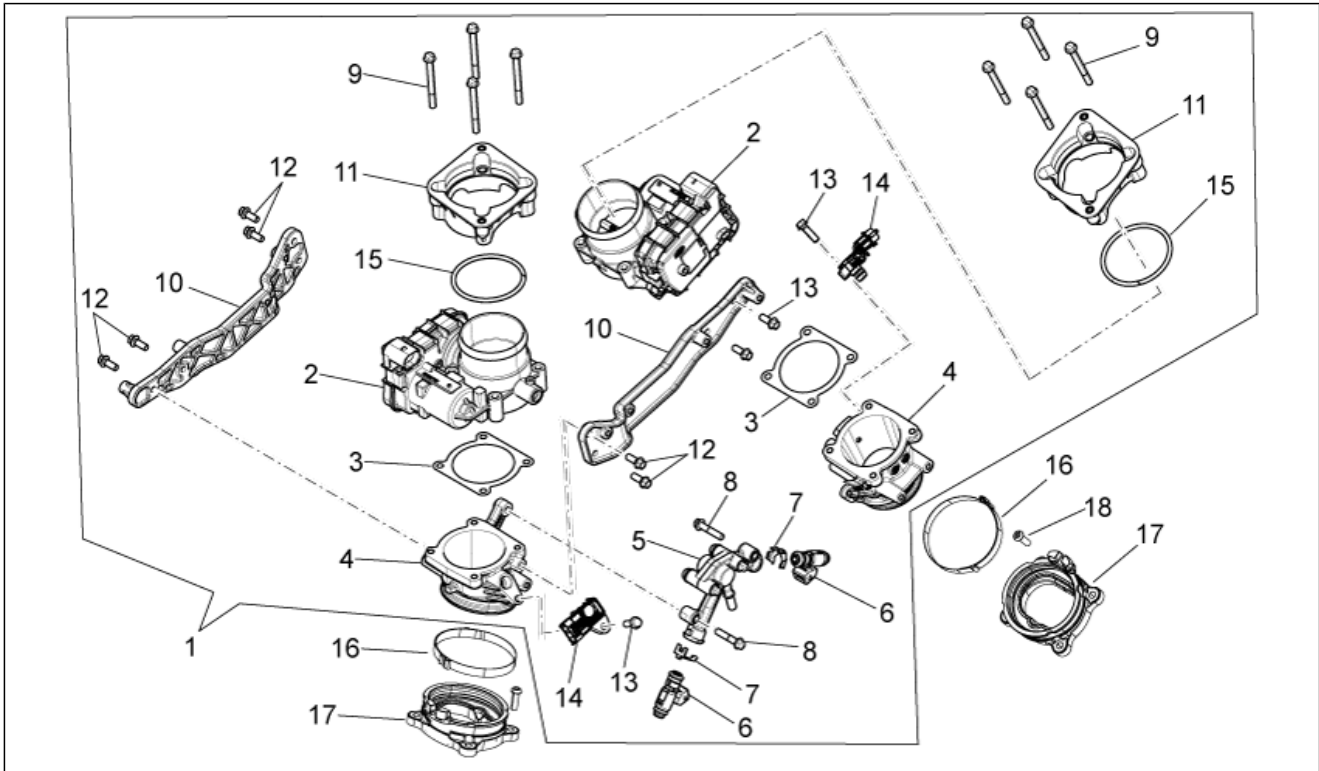
Pos.	Code	Description	Qty	Variants
1	B013000	Clutch side cover	1	
2	878734	Shim washer	1	
3	876529	Nut M6	1	
4	878685	Pump support	1	Technical specification:"Pump ""A""[PA]
4	B0142605	Pump support	1	Technical specification:"Pump ""B""[PB]
5	878115	O-ring	1	
6	876538	O-ring	1	
7	224035	O-ring	1	
8	846624	Chain 52	1	
9	B013068	Water pump cover grigio zenith	1	
10	848209	Gasket OR	1	
11	877850	Screw w/ flange	2	
12	874549	Screw w/ flange	3	
13	877069	Water pump cover gasket	1	
14	874550	Screw w/ flange	11	
15	880867	Rotor	1	
16	875814	Chain ring	1	
17	834951	Conical washer	1	
18	277916	Locating dowel	2	
19	289731	Screw w/ flange M6x30	3	
20	CM179202	screw	1	
21	B013345	Chain guide plate	1	
22	B0133465	Water pump assy	1	Technical specification:"Pump ""A""[PA]
22	B0142585	Water pump assy	1	Technical specification:"Pump ""B""[PB]
23	880701	Circlip	1	
24	879320	Spacer	1	
25	855031	Oil seal D12x22x6	1	

Group	ENGINE
Code	29.51
Description	Ignition unit
Service	1



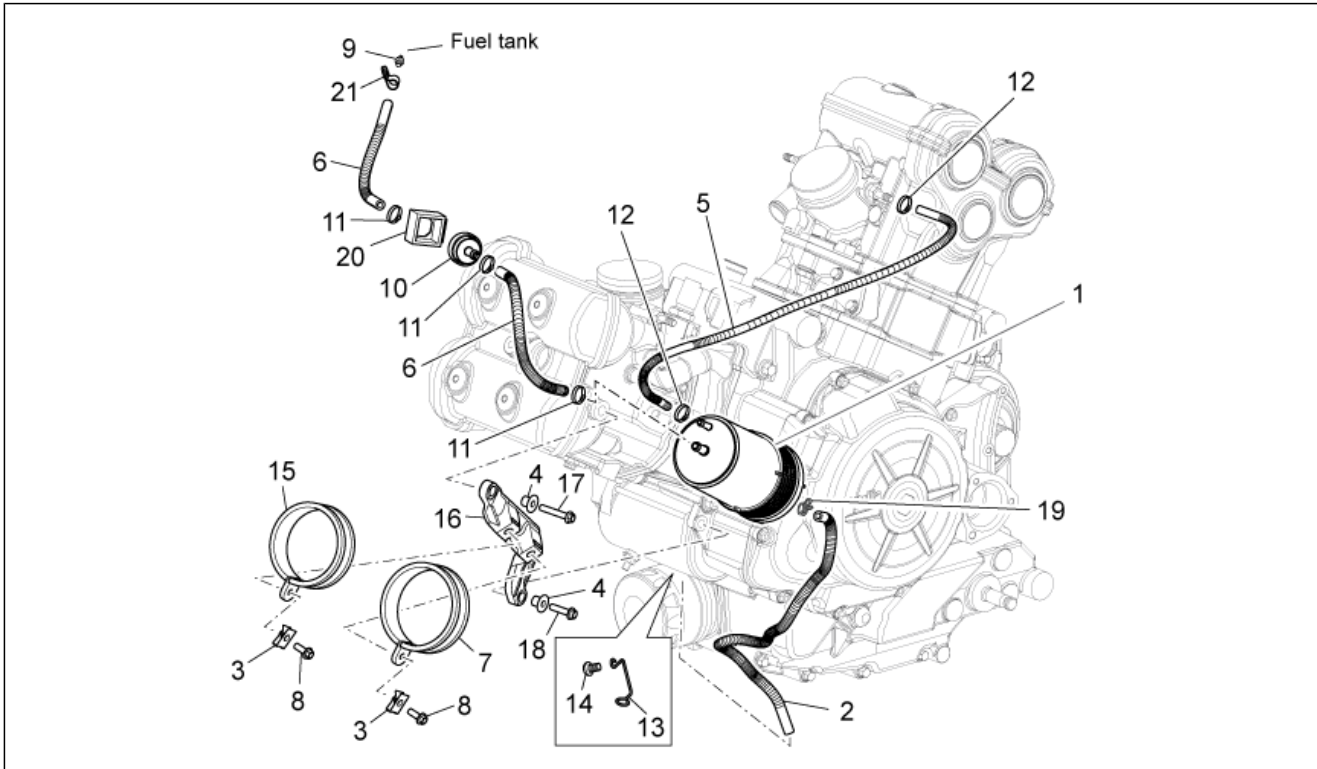
Pos.	Code	Description	Qty	Variants
1	82697R	Starter motor	1	
2	876954	Torque limiter	1	
3	848714	Starter motor gear	1	
4	830390	Sprag clutch housing	1	
5	830389	Sprag clutch	1	
6	642387	Rotor cpl.	1	
7	640168	Stator cpl.	1	
8	974033	Flywheel housing cover gasket	1	
9	B013072	Flywheel side cover	1	
10	122637	Low head socket screw M6x30	3	
11	015935	TBCIC Screw M5x12	2	
12	874551	Screw w/ flange	10	
13	8716755	Cover	1	
14	974219	Gasket	1	
15	B013207	Hex socket screw M6x18	6	
16	000267	Transmission key	1	
17	831148	Screw w/ flange M14x1,5	1	
17	848341	Screw w/ flange M12x1.25	1	
18	825725	Flat washer 14.1x30x3	1	
18	871494	Washer 12,5X32X3,5	1	
19	848845	Plate	1	
20	878872	Screw w/ flange	1	
21	639687	Spark plug CR8EKB	4	
22	277916	Locating dowel	2	
23	872432	Screw w/ flange	2	
24	B013071	Support bracket	1	
25	487824	Retainer clamp	1	
26	848647	Plate	1	

Group	ENGINE
Code	29.52
Description	Throttle body
Service	1



Pos.	Code	Description	Qty	Variants
1	875940	Throttle body cpl.	1	
2	641738	Throttle body	2	
3	872264	Gasket	2	
4	B013485	Union pipe	2	
5	879357	fuel rail assembly	1	
6	CM074706	Injector kit complete	2	
7	849898	Spring	2	
8	289731	Screw w/ flange M6x30	2	
9	432142	screw M6x60	8	
10	876631	Support bracket	2	
11	876389	Air cleaner support	2	
12	874554	Screw w/ flange M6x14	4	
13	018639	Hex screw M6x20	2	
14	642302	Air pressure sensor	2	
15	880689	O-ring	2	
16	B013505	Hose clip R96	2	
17	B013438	Intake fittings support	2	
18	834038	Hex socket screw	2	

Group	ENGINE
Code	29.53
Description	Fuel vapour recover system
Service	1



Pos.	Code	Description	Qty	Variants
1	AP8102678	Carbon filter	1	Country:United States of America[USA]
2	AP8120905	Fuel pipe 8x13	1	Country:United States of America[USA]
3	254485	Spring plate M6	2	Country:United States of America[USA]
4	AP8221023	T bush	2	Country:United States of America[USA]
5	856062	pipe SAE 30 d.11,11x4,8	1	Country:United States of America[USA]
6	856063	pipe SAE 30 d.12,7x6,35	2	Country:United States of America[USA]
7	AP8102719	Hose clamp d.80,5	1	Country:United States of America[USA]
8	AP8152278	Screw w/ flange M6x16	2	Country:United States of America[USA]
9	AP8144276	Joint	1	Country:United States of America[USA]
10	860138	Valve	1	Country:United States of America[USA]
11	AP8102764	White hose clip d.13x6	3	Country:United States of America[USA]
12	AP8120446	Hose clip, green D11x6,6x1	2	Country:United States of America[USA]
13	AP8102815	Plug hook	1	Country:United States of America[USA]
14	AP8152055	Hex socket screw M8x12	1	Country:United States of America[USA]
15	AP8102688	Hose clamp d.76	1	Country:United States of America[USA]
16	898247	Canister support USA	1	Country:United States of America[USA]
17	AP8152280	Screw w/ flange M6x25	1	Country:United States of America[USA]
18	AP8152280	Screw w/ flange M6x25	1	Country:United States of America[USA]
19	AP8102520	Hose clamp	1	Country:United States of America[USA]
20	AP8220546	Relay rubber	1	Country:United States of America[USA]
21	AP8102151	Black hose D12*	1	Country:United States of America[USA]