



PIAGGIO & C.s.p.a.

aprilia

SPARE PARTS CATALOGUE

Caponord 1200 USA

Chassis prefix: ZD4VK, ZD4VKA

Engine prefix:

Index

Finished products.....	4
Alphanumeric index.....	5
Frame.....	12
Table 01.010 - Frame.....	12
Table 01.020 - Foot rests.....	14
Table 01.030 - Central stand.....	16
Table 01.050 - Swing arm.....	18
Body.....	20
Table 02.030 - Front mudguard-Pillar.....	20
Table 02.040 - Front fairing.....	22
Table 02.050 - Windshield.....	23
Table 02.070 - Duct.....	24
Table 02.080 - Side fairing.....	26
Table 02.090 - Tank cover.....	27
Table 02.100 - Central body.....	28
Table 02.120 - Saddle.....	29
Table 02.130 - Saddle compartment.....	30
Table 02.140 - Rear body.....	31
Table 02.150 - Rear mudguard.....	33
Table 02.160 - Luggage rack.....	34
Table 02.165 - Suitcases.....	35
Table 02.170 - Locks.....	36
Table 02.180 - Plate set / Various.....	37
Table 02.190 - Decal.....	38
Engine.....	40
Table 03.010 - Engine-Completing part-Lever.....	40
Table 03.020 - Gear lever.....	41
Table 03.030 - Crankcases I.....	42
Table 03.040 - Crankcases I.....	44
Table 03.050 - Air box.....	45
Table 03.060 - Throttle body.....	46
Table 03.090 - Head cover.....	47
Table 03.100 - Cylinder head - valves.....	48
Table 03.110 - Pad.....	49
Table 03.130 - Front cylinder timing system.....	50
Table 03.140 - Rear cylinder timing system.....	52
Table 03.150 - Cylinder - Piston.....	54
Table 03.160 - Drive shaft.....	55
Table 03.170 - Gear box / Selector / Shift cam.....	56
Table 03.180 - Gear box - Gear assembly.....	57
Table 03.196 - Blow-by system.....	58
Table 03.200 - Oil pump.....	59
Table 03.210 - Water pump.....	60

Table 03.220 - Clutch cover.....	61
Table 03.230 - Clutch.....	62
Table 03.300 - Cdi magneto assy / Ignition unit.....	63
Table 03.330 - Exhaust pipe.....	64
Suspensions.....	66
Table 04.025 - Front fork.....	66
Table 04.080 - Shock absorber.....	67
Table 04.090 - Front fork.....	68
Wheels.....	70
Table 05.010 - Front wheel.....	70
Table 05.020 - Rear wheel.....	71
Brake system.....	73
Table 06.010 - Front master cilinder.....	73
Table 06.020 - Front brake caliper.....	74
Table 06.030 - Rear master cylinder.....	75
Table 06.040 - Rear brake caliper.....	76
Table 06.050 - ABS Brake system.....	77
Handlebar - Controls.....	78
Table 07.010 - Steering.....	78
Table 07.020 - Handlebar - Controls.....	79
Table 07.030 - Clutch control.....	80
Lights - Instruments.....	81
Table 08.010 - Front lights.....	81
Table 08.020 - Instruments.....	82
Table 08.030 - Rear lights.....	83
Tank.....	84
Table 09.010 - Fuel tank.....	84
Table 09.020 - Fuel vapour recover system.....	85
Cooling system.....	86
Table 10.010 - Oil radiator.....	86
Table 10.020 - Cooling system.....	87
Electrical systems.....	89
Table 11.010 - Front electrical system.....	89
Table 11.020 - Central electrical system.....	91
Table 11.030 - Rear electrical system.....	93

Finished products

Code	Validity
AP6148300CCF00	
AP6148300CCF02	
AP6148300CCF04	
AP6148300YCF00	
AP6148300YCF02	
AP6148300YCF04	

Code	No. table	Pos.	Code	No. table	Pos.	Code	No. table	Pos.
000267	03.300	16	2B000136	03.060	11	2H000094	02.190	5
002383	03.020	15	2B000143	07.010	21	2H000095	02.190	8
006429	03.130	20	2B000148	11.020	22	2H000096	02.190	9
006429	03.140	20	2B000149	11.020	21	2H000097	02.190	3
006450	03.200	2	2B000174	10.020	20	2H000098	02.190	2
006642	03.030	21	2B000175	10.020	22	2H000103000YE5	02.140	2
015935	03.300	11	2B000186	03.050	1	2H000104000YE5	02.140	1
018536	02.040	10	2B000198	03.196	3	2H000114	02.190	6
018639	03.060	16	2B000199	03.196	7	2H000115	02.190	5
122637	03.300	10	2B000200	03.196	8	2H000116	02.190	8
122671	03.030	8	2B000205	04.025	4	2H000117	02.190	9
197551	02.090	2	2B000214	06.020	3	2H000118	02.190	3
1A000220	03.150	1	2B000220	03.010	2	2H000119	02.190	2
1A0002210A	03.150	2	2B000221	11.010	6	2H000120000XRC	02.080	2
1A0002210B	03.150	2	2B000242	03.330	34	2H000121000XRC	02.080	1
1A0002210C	03.150	2	2B000245	03.330	5	2H000122000XRC	02.080	4
1A0002210D	03.150	2	2B000247	02.150	7	2H000123000XRC	02.080	3
1A0005391A	03.030	1	2B000248	02.150	8	2H000124000XRC	02.140	2
1A0005391B	03.030	1	2B000249	02.030	25	2H000125000XRC	02.140	1
1A0005392A	03.030	1	2B000250	02.030	26	2H000126	02.190	13
1A0005392B	03.030	1	2B000251	02.030	15	2L000005	02.190	10
224035	03.040	10	2B000252	02.030	19	2L000022	02.190	1
224035	03.180	26	2B000271	05.020	7	2L000032	04.090	37
224035	03.210	7	2B000286	02.100	5	2L000036	02.130	3
231590	11.010	7	2B000302	02.180	1	2Q000003	02.180	4
239388	03.040	6	2B000307	01.050	33	2Q000004	02.180	4
248419	02.070	15	2B000362	09.010	20	2R000010	04.025	5
248419	02.140	4	2B000421	02.120	2	2R000011	04.025	6
248419	02.150	9	2B000424	03.330	1	2R000012	04.025	8
248419	08.020	18	2B000439	02.190	17	2R000013	04.025	27
255638	01.050	24	2B000440	02.190	14	2R000016	04.090	24
269787	02.050	4	2B000441	02.190	15	2R000017	04.090	22
271740	01.010	12	2B000442	02.190	16	2R000018	04.090	25
271740	01.010	16	2B000457	03.060	7	2R000019	04.090	26
274369	04.090	32	2B000477	09.010	17	2R000020	04.090	20
277916	03.210	18	2B000500	02.030	28	2R000021	04.090	2
277916	03.300	22	2B000523	09.010	21	2R000022	04.090	4
287073	03.130	9	2B000550	06.050	21	2R000023	04.090	7
287073	03.140	9	2B000550	10.010	9	2R000024	04.090	18
292022	08.030	11	2B000588	02.050	18	2R000025	04.080	20
2A000021	03.060	4	2B000589	02.050	17	2R000026	04.080	14
2A000042	03.060	5	2B000633	03.060	1	2R000027	04.080	12
2A000045	03.050	11	2B000643	02.130	10	2R000028	04.080	13
2A000165	03.150	9	2B000652	01.030	9	2R000029	04.080	15
2B000037	09.010	6	2B000653	03.330	4	2R000030	04.080	9
2B000051	02.190	12	2B000655	01.030	1	2R000031	04.080	16
2B000054	10.020	25	2B000663	02.130	1	2R000032	04.080	18
2B000055	10.020	24	2B000696	03.196	1	2R000033	04.080	10
2B000061000BM	02.165	1	2D000001	11.020	1	2R000034	04.080	8
2B000061000XRC	02.165	1	2D000002	11.020	1	2R000035	04.080	11
2B000061000YE5	02.165	1	2D000012	02.170	3	2R000036	04.080	19
2B000062000BM	02.165	2	2D000013	02.170	4	2R000075	04.090	38
2B000062000XRC	02.165	2	2D000015	11.030	7	411311	03.100	21
2B000062000YE5	02.165	2	2D000025	02.165	3	414838	03.130	29
2B000068	10.010	11	2H000051	02.190	6	414838	03.140	29
2B000069	10.010	13	2H000052	02.190	5	478533	11.030	9
2B000077	10.010	3	2H000053	02.190	8	484123	03.200	21
2B000078	10.010	7	2H000054	02.190	9	484706	03.100	10
2B000087	03.020	12	2H000055	02.190	3	487073	03.030	17
2B000099	07.010	8	2H000056	02.190	2	560173	02.050	2
2B000100	07.010	15	2H000057000BM	02.080	2	563984	01.030	7
2B000102	02.160	5	2H000058000BM	02.080	1	573454	10.020	17
2B000115	11.020	33	2H000059000BM	02.080	4	575249	02.140	15
2B000117	02.170	10	2H000060000BM	02.080	3	597565	03.170	19
2B000124	06.030	23	2H000061000BM	02.140	2	620344	08.010	12
2B000125	03.050	12	2H000062000BM	02.140	1	622055	10.020	5
2B000128	11.020	16	2H000093	02.190	6	638733	11.030	1

Code	No. table	Pos.	Code	No. table	Pos.	Code	No. table	Pos.
639687	11.010	24	852480	03.020	7	872560	03.170	14
640485	03.100	20	85259R	01.050	2	872807	03.100	11
640754	08.010	6	85263R	05.010	12	873131	03.110	1
641541	03.200	10	853036	01.010	13	873233	03.130	26
641652	02.150	2	853037	01.010	10	873233	03.140	26
642248	11.030	8	854555	08.010	1	873268	07.030	23
642302	03.060	15	854556	08.010	2	873543	03.220	8
643277	11.030	5	854811	11.020	15	873718	03.230	7
643310	11.030	6	854815	07.010	12	873719	03.230	4
658778	03.220	11	854815	07.020	6	873772	03.170	4
658830	06.010	15	854909	03.010	3	873863	03.200	5
658830	11.010	10	854937	09.010	8	873866	03.200	4
680167	11.010	1	854951	03.010	4	873905	03.030	9
680199	03.300	7	855031	03.210	25	873906	03.200	8
680200	03.300	6	855799	03.100	16	873928	03.030	25
709099	03.200	14	856062	09.020	10	873974	03.200	7
825577	03.030	12	856063	09.020	11	874037	07.030	22
825577	03.220	19	856069	03.010	6	874191	03.220	13
825597	03.150	14	85623200X12	01.050	1	874546	03.040	11
825694	03.100	19	856787	01.050	22	874548	03.040	4
825725	03.300	18	856805	05.020	19	874549	03.150	12
82697R	03.300	1	856808	06.030	11	874549	03.210	12
828909	03.060	10	857082	03.210	20	874551	03.210	14
82897R	03.030	14	857265	03.170	22	874551	03.220	17
829122	03.030	2	858539	07.020	14	874551	03.300	12
82960R	03.200	12	858722	03.330	9	874554	03.150	10
830249	03.090	4	858730	08.030	1	874554	03.300	23
830389	03.300	5	858840	02.140	12	874554	11.010	21
830390	03.300	4	858842	02.140	13	874555	03.060	18
834038	03.060	20	858867	08.010	14	874555	11.010	23
834232	10.020	26	859754	05.020	20	874557	03.100	14
834951	03.210	17	859789	06.050	10	874558	03.100	12
842291	03.090	3	859792	04.025	26	874567	03.150	7
846624	03.210	8	859792	04.090	33	874591	03.130	24
847906	03.160	4	859792	05.020	12	874591	03.140	24
847915	03.160	8	859919	01.020	5	874598	03.040	1
848474	03.030	11	859920	01.020	11	874599	03.170	2
848647	03.300	21	859921	01.020	8	874660	03.220	3
848650	03.030	6	859929	01.050	18	874744	03.130	14
848714	03.300	3	859946	06.030	16	874744	03.140	14
848845	03.300	19	859949	07.020	22	874746	03.100	18
849131	03.160	3	860138	09.020	12	874751	03.130	13
849308	03.180	19	860484	06.050	19	874752	03.140	13
849308	03.180	9	860628	02.030	20	875222	03.230	12
849309	03.180	23	860628	02.070	18	875223	03.230	9
849310	03.180	20	860662	04.080	5	875224	03.230	13
849311	03.180	24	860667	02.030	14	875358	03.200	16
849424	03.180	6	860744	07.020	17	875373	03.140	4
849426	03.180	7	860898	01.050	19	875397	03.150	13
849718	03.130	18	860899	01.050	20	875411	03.130	27
849718	03.140	18	860900	01.050	21	875411	03.140	27
849720	03.130	19	860987	01.020	27	875690	03.230	11
849720	03.140	19	871609	03.220	12	875691	03.230	8
849721	03.130	17	871640	03.100	5	8756994	03.130	28
849721	03.140	17	871640	03.110	2	8756994	03.140	28
849817	03.130	25	871642	03.100	4	875796	03.170	1
849817	03.140	25	871649	03.170	8	875814	03.210	16
851049	06.030	17	8716754	03.300	13	875838	03.030	4
85153600XNB	01.010	8	871798	03.130	21	875878	03.130	15
85153700XNB	01.010	9	871798	03.140	21	875878	03.140	15
851541	01.010	29	871901	03.170	24	875879	03.130	30
851628	07.020	7	872033	03.030	5	875880	03.140	30
851784	01.010	15	872154	03.170	5	875914	11.010	20
851790	01.030	17	872182	03.040	5	875935	03.030	26
852093	01.030	29	872230	03.060	2	875936	03.030	3
852165	01.010	11	872264	03.060	3	876087	03.130	3
85221R	07.030	20	872421	03.220	2	876087	03.140	3

Code	No. table	Pos.	Code	No. table	Pos.	Code	No. table	Pos.
876113	03.130	4	879320	03.210	24	894796	08.010	8
876171	03.130	6	8793650001	03.030	23	895349	01.050	30
876296	03.220	6	8793650002	03.030	23	895481	11.010	4
876320	03.030	24	8793650003	03.030	23	895487	02.140	18
876455	11.010	22	8793650004	03.030	23	895488	02.140	19
876486	03.200	9	879523	03.130	10	895571	06.040	1
876529	03.210	3	879523	03.140	10	895807	11.010	11
876538	03.210	6	879532	03.090	2	895836	03.330	8
876546	03.180	25	879550	03.200	13	895839	02.190	11
876559	03.180	13	879554	03.170	3	895907	11.020	11
876561	03.180	12	879855	03.090	6	895914	02.140	20
876568	03.180	2	879858	03.100	2	895916	02.030	7
876569	03.180	14	879883	03.090	1	895999	10.010	1
876631	03.060	17	879948	03.090	7	896011	05.010	8
8766650001	03.160	2	880064	03.140	6	896012	05.010	9
8766650002	03.160	2	880079	03.150	8	896013	05.020	10
876707	03.150	6	880194	03.180	3	896014	01.010	14
876748	03.030	15	880195	03.180	4	896107	07.020	16
876954	03.300	2	880196	03.180	5	896110	03.330	3
877069	03.210	13	880197	03.180	15	896174	02.140	3
877135	03.200	24	880198	03.180	16	896236	03.050	5
877193	03.220	10	880199	03.180	17	896237	03.050	4
877195	03.220	20	880200	03.180	18	896254	06.040	2
877281	03.030	19	880231	03.130	22	896256	06.010	1
877424	03.220	5	880231	03.140	22	896259	07.030	1
877441	03.170	21	880235	03.150	11	896663	07.020	13
877812	03.230	10	880646	03.210	15	896675	11.010	12
877814	03.040	2	880689	03.050	9	896715	11.010	5
877829	03.130	11	880701	03.210	23	896754	05.010	1
877829	03.140	11	880734	03.090	5	896756	05.020	1
877850	03.210	11	880779	03.220	14	897035	10.020	13
877884	03.130	8	880798	03.210	21	897036	10.020	12
877884	03.140	8	880871	03.230	1	897328	04.025	3
877885	03.130	7	886078	02.050	6	897328	04.090	11
877885	03.140	7	886079	02.050	7	897329	04.090	6
8781140001	03.160	5	886195	02.050	13	897331	04.025	7
8781140002	03.160	5	886196	02.050	14	897331	04.090	8
8781140003	03.160	5	886197	02.050	15	897333	04.025	9
8781140004	03.160	5	886198	02.050	16	897333	04.090	10
878115	03.210	5	886236	02.050	8	897334	04.025	10
878296	03.160	9	887696	06.050	9	897335	04.025	12
8783940001	03.030	22	890002	01.050	7	897335	04.090	23
8783940002	03.030	22	890126	01.050	10	897335	04.090	3
8783940003	03.030	22	890164	01.020	26	897336	04.025	13
8783940004	03.030	22	890198	02.180	2	897336	04.090	5
878401	03.200	20	890243	01.020	14	897337	04.025	14
878434	03.040	7	890509	06.030	5	897337	04.090	16
878523	03.200	15	890509	07.030	8	897338	04.025	15
878567	03.030	16	890760	11.020	31	897339	04.025	17
878661	03.150	5	890933	11.010	14	897339	04.090	15
878705	03.100	17	890960	05.020	9	897340	04.025	18
878734	03.210	2	893102	02.190	7	897340	04.090	9
878806	03.100	8	893132	02.070	30	897341	04.025	19
878807	03.100	9	893132	03.050	10	897341	04.090	17
878808	03.100	6	893255	02.070	17	897342	04.025	20
878809	03.100	7	893513	10.020	8	897342	04.090	12
878845	03.230	3	893514	10.020	10	897343	04.025	21
878867	03.170	9	893823	10.020	9	897343	04.090	13
878868	03.130	23	893929	08.010	7	897344	04.025	22
878868	03.140	23	893930	08.010	5	897344	04.090	14
878870	03.170	13	894505	05.020	11	897349	04.025	11
878871	03.200	6	894511	10.020	27	897350	04.025	16
878872	03.300	20	894512	10.020	28	897351	03.196	5
879127	03.100	3	894566	08.030	7	898060	10.020	29
879175	03.230	5	894603	11.020	2	898247	09.020	6
879176	03.230	6	894657	02.140	14	898368	01.020	18
879250	03.200	23	894704	03.330	17	898396	11.020	43

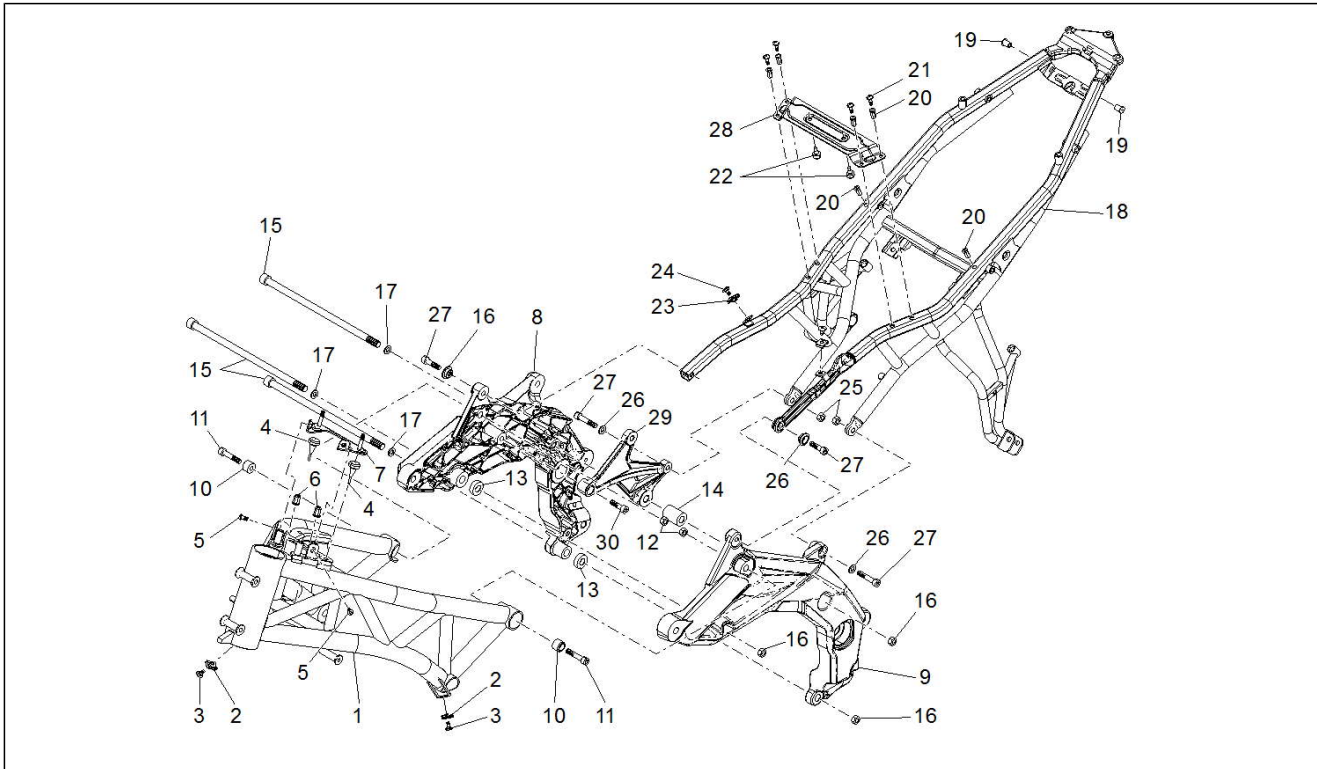
Code	No. table	Pos.	Code	No. table	Pos.	Code	No. table	Pos.
898397	11.020	42	AP8102688	09.020	8	AP8120712	11.020	24
898443	05.020	13	AP8102719	09.020	9	AP8120712	11.020	9
898639	01.020	13	AP8102764	09.020	13	AP8120905	09.020	2
899064	10.010	12	AP8102786	03.196	9	AP8120912	03.020	14
899064	10.010	14	AP8102902	01.010	6	AP8120952	09.010	4
899524	03.330	31	AP8102903	03.196	6	AP8121032	02.070	27
899811	06.050	7	AP8102913	02.170	11	AP8121032	02.150	6
969323	03.200	19	AP8104996	03.196	15	AP8121032	07.020	25
969973	03.040	8	AP8106382	06.030	6	AP8121126	06.030	15
971718	03.170	12	AP8106382	07.030	10	AP8121133	01.020	23
974033	03.300	8	AP8110053	03.020	5	AP8121155	04.080	7
974051	03.030	20	AP8110077	07.010	4	AP8121170	03.330	6
974112	03.030	13	AP8110078	01.050	11	AP8121200	01.050	4
974129	03.030	7	AP8110081	05.020	23	AP8121201	01.050	3
974130	03.170	25	AP8110093	05.020	3	AP8121203	01.050	13
974157	03.200	3	AP8110094	05.010	3	AP8121204	01.050	6
974162	03.180	11	AP8110110	01.020	24	AP8121212	05.020	24
974163	03.180	8	AP8112600	02.030	24	AP8121213	05.020	25
974165	03.180	10	AP8112600	02.070	19	AP8121221	03.020	10
974166	03.180	22	AP8112600	02.100	7	AP8121223	06.030	12
974167	03.180	21	AP8112600	08.030	6	AP8121225	05.020	8
974219	03.300	14	AP8112600	08.030	9	AP8121332	01.030	26
974290	03.200	18	AP8112811	11.030	3	AP8121420	02.170	14
974320	03.220	9	AP8112916	08.030	2	AP8121428	10.010	16
974320	03.230	2	AP8113003	06.050	5	AP8121510	02.160	13
974361	03.220	7	AP8113003	07.030	18	AP8121520	07.020	21
974517	03.200	1	AP8113004	06.050	4	AP8121570	01.050	9
974558	03.170	23	AP8113004	07.030	19	AP8121665	08.020	15
977681	02.050	5	AP8113070	06.040	7	AP8121716	08.020	14
AP8101595	06.010	8	AP8113288	06.030	2	AP8121718	09.010	14
AP8101595	06.030	4	AP8113499	06.010	9	AP8121725	03.330	29
AP8101595	07.030	9	AP8113548	06.040	5	AP8121728	03.060	14
AP8101595	09.010	2	AP8113553	07.030	11	AP8121773	03.330	15
AP8101744	05.010	6	AP8113598	06.010	10	AP8121795	02.030	23
AP8101744	05.020	6	AP8113719	06.010	3	AP8121795	02.070	20
AP8101890	02.030	5	AP8113719	07.030	3	AP8121795	08.030	23
AP8101968	06.030	9	AP8113758	07.030	2	AP8121811	03.010	7
AP8102029	02.030	29	AP8113771	06.010	7	AP8121811	04.090	29
AP8102029	02.130	8	AP8117258	08.030	4	AP8121811	07.010	22
AP8102239	03.196	13	AP8118579	07.020	11	AP8121889	03.010	11
AP8102239	09.020	15	AP8120001	01.010	22	AP8121889	09.010	3
AP8102349	03.196	4	AP8120001	02.130	5	AP8121890	01.050	23
AP8102375	01.010	2	AP8120001	09.010	12	AP8123511	07.020	5
AP8102375	01.010	23	AP8120030	06.010	14	AP8123641	07.010	5
AP8102375	01.050	29	AP8120030	06.050	13	AP8123642	07.010	19
AP8102375	02.030	17	AP8120030	08.010	9	AP8123644	07.010	3
AP8102375	02.040	13	AP8120030	10.010	2	AP8123721	07.010	10
AP8102375	02.040	5	AP8120030	10.020	2	AP8124293	11.020	10
AP8102375	02.070	23	AP8120030	11.020	18	AP8124719	02.030	32
AP8102375	02.080	12	AP8120030	11.020	25	AP8125687	01.050	14
AP8102375	02.080	8	AP8120178	06.030	20	AP8125728	05.010	13
AP8102375	02.090	4	AP8120223	03.330	28	AP8125730	05.020	21
AP8102375	02.130	9	AP8120253	03.330	32	AP8125732	05.020	22
AP8102375	02.140	17	AP8120253	07.020	23	AP8125763	01.050	15
AP8102375	08.020	10	AP8120416	06.050	20	AP8125831	05.020	28
AP8102375	08.030	24	AP8120416	07.020	18	AP8125838	05.020	5
AP8102376	03.330	22	AP8120416	11.010	13	AP8125839	05.020	4
AP8102386	02.030	9	AP8120446	03.150	15	AP8125841	05.010	5
AP8102386	08.030	21	AP8120446	03.196	16	AP8125842	05.010	4
AP8102386	11.010	13	AP8120446	09.020	14	AP8125882	02.140	7
AP8102504	02.040	2	AP8120455	09.010	13	AP8127098	08.030	3
AP8102504	02.080	5	AP8120531	01.010	19	AP8127489	08.010	3
AP8102520	03.050	17	AP8120573	01.020	25	AP8127489	08.030	17
AP8102520	09.020	3	AP8120615	03.050	6	AP8127803	08.030	15
AP8102523	02.170	9	AP8120657	08.030	12	AP8127804	08.030	16
AP8102524	01.030	8	AP8120657	11.010	13	AP8127856	01.030	15
AP8102678	09.020	1	AP8120712	03.196	12	AP8128169	05.010	2

Code	No. table	Pos.	Code	No. table	Pos.	Code	No. table	Pos.
AP8128170	05.020	2	AP8150158	08.030	14	AP8150509	10.020	18
AP8128189	05.010	11	AP8150171	01.020	3	AP8150509	11.020	12
AP8133502	06.040	6	AP8150177	01.030	13	AP8150509	11.020	14
AP8133522	07.030	6	AP8150177	08.030	20	AP8150520	02.160	10
AP8133827	06.040	4	AP8150195	01.010	30	AP8150520	03.330	20
AP8133907	06.040	3	AP8150195	05.020	14	AP8150522	08.030	5
AP8133945	06.050	3	AP8150204	02.030	30	AP8150537	01.010	5
AP8133945	07.030	21	AP8150204	02.030	8	AP8150537	06.030	7
AP8134378	03.330	12	AP8150204	08.030	13	AP8150538	06.030	24
AP8134451	01.020	22	AP8150204	10.020	6	AP8150538	07.030	13
AP8134898	07.030	12	AP8150236	01.010	27	AP8150539	07.030	15
AP8134899	06.010	11	AP8150236	07.010	16	AP8152001	01.030	30
AP8134948	02.170	8	AP8150248	02.030	4	AP8152043	04.090	36
AP8140711	02.170	5	AP8150255	08.020	7	AP8152055	03.010	9
AP8144005	01.050	12	AP8150255	09.010	10	AP8152058	01.020	28
AP8144006	01.050	5	AP8150265	11.010	15	AP8152128	11.010	15
AP8144007	03.020	11	AP8150272	06.030	25	AP8152128	11.010	2
AP8144007	06.030	13	AP8150272	07.030	14	AP8152138	03.020	3
AP8144015	03.196	14	AP8150272	11.020	40	AP8152154	02.030	3
AP8144048	01.050	8	AP8150277	03.330	11	AP8152176	04.080	3
AP8144071	03.330	14	AP8150292	01.030	18	AP8152187	02.140	8
AP8144081	02.100	6	AP8150311	01.020	33	AP8152187	07.010	2
AP8144081	07.020	24	AP8150311	01.030	12	AP8152238	02.170	6
AP8144158	09.010	19	AP8150324	07.020	26	AP8152239	02.030	16
AP8144168	01.050	16	AP8150329	04.080	4	AP8152246	03.196	11
AP8144222	07.010	11	AP8150334	01.050	26	AP8152246	03.330	21
AP8144328	09.010	11	AP8150351	02.165	4	AP8152246	07.020	27
AP8144506	10.020	11	AP8150376	03.330	19	AP8152267	02.040	3
AP8144553	02.130	11	AP8150382	08.010	11	AP8152267	11.020	39
AP8144558	03.330	25	AP8150382	11.020	19	AP8152268	02.040	12
AP8144563	02.070	13	AP8150413	02.030	18	AP8152268	02.070	22
AP8144563	02.070	24	AP8150413	02.160	2	AP8152268	02.080	11
AP8144563	02.070	3	AP8150413	11.020	17	AP8152268	11.010	18
AP8144563	02.100	3	AP8150413	11.020	27	AP8152270	01.020	32
AP8144563	02.140	23	AP8150413	11.020	36	AP8152273	04.025	24
AP8144616	02.070	14	AP8150413	11.020	8	AP8152273	04.090	34
AP8144616	02.070	25	AP8150421	03.050	15	AP8152273	05.020	27
AP8144616	02.070	4	AP8150430	06.030	19	AP8152277	01.020	20
AP8144616	02.100	4	AP8150432	01.030	31	AP8152277	02.030	21
AP8144616	02.140	24	AP8150436	05.020	26	AP8152277	03.010	8
AP8145008	01.020	16	AP8150444	01.020	38	AP8152277	10.010	15
AP8145009	01.020	17	AP8150444	02.140	11	AP8152277	11.010	8
AP8145022	06.010	2	AP8150444	02.140	16	AP8152278	01.020	36
AP8150011	02.130	7	AP8150450	02.040	4	AP8152278	02.150	5
AP8150011	10.020	7	AP8150450	02.080	6	AP8152278	07.010	18
AP8150013	10.020	19	AP8150451	01.020	15	AP8152278	09.020	4
AP8150015	03.060	13	AP8150451	11.010	19	AP8152279	01.020	29
AP8150015	06.050	12	AP8150454	07.010	20	AP8152279	02.030	11
AP8150016	09.010	16	AP8150462	03.020	8	AP8152279	02.070	26
AP8150017	01.010	26	AP8150463	05.020	15	AP8152279	03.060	12
AP8150017	01.030	27	AP8150474	06.010	16	AP8152279	11.020	28
AP8150018	03.330	13	AP8150493	02.030	6	AP8152280	02.030	12
AP8150020	06.030	14	AP8150500	01.010	3	AP8152280	02.050	9
AP8150026	03.020	4	AP8150500	01.050	17	AP8152280	06.050	11
AP8150026	06.030	8	AP8150500	01.050	32	AP8152280	10.010	6
AP8150026	11.020	44	AP8150500	02.030	2	AP8152280	10.020	4
AP8150044	09.010	18	AP8150500	02.070	16	AP8152282	02.030	13
AP8150050	08.030	18	AP8150500	02.080	7	AP8152282	03.330	33
AP8150088	07.010	9	AP8150500	02.090	3	AP8152282	11.020	29
AP8150101	01.010	17	AP8150500	02.130	14	AP8152283	04.025	23
AP8150101	01.030	32	AP8150500	02.150	3	AP8152286	05.010	10
AP8150107	01.030	19	AP8150500	08.020	9	AP8152287	01.030	28
AP8150107	03.330	23	AP8150501	02.030	27	AP8152287	08.020	13
AP8150137	03.020	6	AP8150502	02.140	9	AP8152291	01.030	23
AP8150137	03.020	9	AP8150509	02.160	12	AP8152298	01.010	21
AP8150137	06.030	18	AP8150509	08.010	10	AP8152298	02.140	21
AP8150158	02.030	31	AP8150509	08.020	6	AP8152298	08.030	22

Code	No. table	Pos.	Code	No. table	Pos.	Code	No. table	Pos.
AP8152299	02.170	13	AP8221023	10.020	3	B015604	03.130	16
AP8152299	06.050	15	AP8221023	11.020	26	B015604	03.140	16
AP8152299	08.010	13	AP8221036	01.030	14	B016455	03.060	8
AP8152299	08.020	16	AP8221114	03.010	10	B016792	03.210	19
AP8152299	09.010	15	AP8221204	01.030	3	B016796	03.170	20
AP8152299	09.020	7	AP8221206	02.130	4	B016797	02.170	12
AP8152299	10.010	4	AP8221211	01.030	4	B017636	03.100	13
AP8152299	11.010	16	AP8224462	11.020	32	B017809	03.170	15
AP8152299	11.010	3	AP8224470	02.030	22	B0191060A	03.160	1
AP8152299	11.010	9	AP8224470	02.070	21	B043047	03.010	5
AP8152300	02.165	6	AP8224470	04.090	28	B043265	08.020	1
AP8152300	03.330	18	AP8224470	06.010	12	B043317	05.020	16
AP8152301	04.080	6	AP8224470	06.030	21	B043864	02.170	7
AP8152302	02.120	4	AP8225369	01.030	16	B044216	01.010	18
AP8152302	02.130	12	AP8234094	11.010	17	B044217	07.020	15
AP8152302	08.020	17	AP8267147	02.180	3	B044218	07.020	15
AP8152305	01.050	25	AP9008492	02.165	5	B044246	08.020	2
AP8152306	02.070	32	AP9100175	01.030	20	B044247	08.020	3
AP8152306	02.140	22	AP9100195	01.020	12	B044248	08.020	4
AP8152306	04.025	25	AP9100196	01.020	7	B044278	05.020	10
AP8152306	07.010	17	AP9100197	01.020	6	B044279	05.010	8
AP8152306	08.030	19	AP9100487	11.030	2	B044280	05.010	9
AP8152306	08.030	8	AP9100519	06.050	8	B044311	04.090	1
AP8152306	11.010	16	AP9150064	03.170	17	B044312	04.090	21
AP8152316	07.020	3	AP9150069	03.170	16	B044313	04.080	17
AP8152316	07.020	4	AP9150070	03.170	18	B044314	04.090	35
AP8152323	05.010	14	AP9150356	03.220	16	B044351	01.030	2
AP8152323	05.020	29	AP9150395	09.020	5	B044353	04.080	1
AP8152324	05.020	30	AP9150410	03.220	15	B044414	11.020	13
AP8152329	02.130	6	AP9150472	03.200	11	B044415	01.030	10
AP8152329	03.050	3	B013000	03.210	1	B044478	07.020	1
AP8152329	03.196	2	B013063	03.040	9	B044484	04.080	1
AP8152329	08.020	11	B013068	03.210	9	B044510	06.010	17
AP8152329	11.020	20	B013071	03.300	24	B044511	07.030	16
AP8152329	11.020	34	B013074	03.220	1	B04456600C1	02.120	1
AP8152335	05.010	15	B013207	03.300	15	B04456700C1	02.120	5
AP8152339	01.010	24	B013265	03.150	3	B044598	06.020	4
AP8152348	02.070	31	B013266	03.150	4	B044621	01.030	6
AP8152350	01.010	25	B013306	03.170	6	B044622	01.030	5
AP8152411	04.080	2	B013349	03.030	18	B044716	08.030	10
AP8152414	06.020	5	B013373	03.160	7	B044762	02.130	2
AP8152486	07.020	8	B013438	03.060	19	B044763	03.020	13
AP8158359	09.010	7	B013505	03.060	21	B044819	02.040	8
AP8161054	03.050	16	B013527	03.210	10	B044820	02.040	9
AP8161074	01.030	22	B0135315	03.130	2	B044821	02.040	7
AP8161076	01.030	21	B0135335	03.130	1	B044822	02.080	10
AP8161127	09.010	9	B0135365	03.140	2	B044823	02.080	9
AP8163165	01.020	9	B0135385	03.140	1	B04482400BM	02.040	1
AP8168501	06.010	4	B013607	03.220	18	B04482400XRC	02.040	1
AP8168501	07.030	5	B013608	03.030	10	B044829	02.070	8
AP8201169	03.196	10	B013744	03.100	15	B044830	02.070	7
AP8201301	06.030	10	B013745	03.300	25	B044831	02.070	6
AP8201431	01.020	10	B013928	03.170	7	B044832	02.070	5
AP8201727	01.030	11	B013936	03.180	27	B044833	02.070	10
AP8201755	01.010	20	B013937	03.180	1	B044834	02.070	11
AP8210007	03.020	2	B014258	03.210	22	B044835	07.020	19
AP8213057	06.010	6	B014260	03.210	4	B044836	07.020	20
AP8213057	06.030	3	B014391	03.300	9	B044837	02.090	1
AP8213057	07.030	4	B014437	03.170	10	B04483800BM	02.090	6
AP8213299	06.010	5	B014440	03.170	11	B04483800XRC	02.090	6
AP8213299	07.030	7	B014598	03.130	12	B04483800YE5	02.090	6
AP8220150	08.020	5	B014598	03.140	12	B04483900BM	02.090	5
AP8220238	01.010	4	B0149334	03.100	1	B04483900XRC	02.090	5
AP8221007	06.050	14	B015050	03.220	4	B04483900YE5	02.090	5
AP8221017	11.020	30	B015555	03.130	5	B044840	02.100	2
AP8221023	06.010	13	B015556	03.140	5	B044841	02.100	1
AP8221023	10.010	5	B015563	03.300	17	B044842	01.020	30

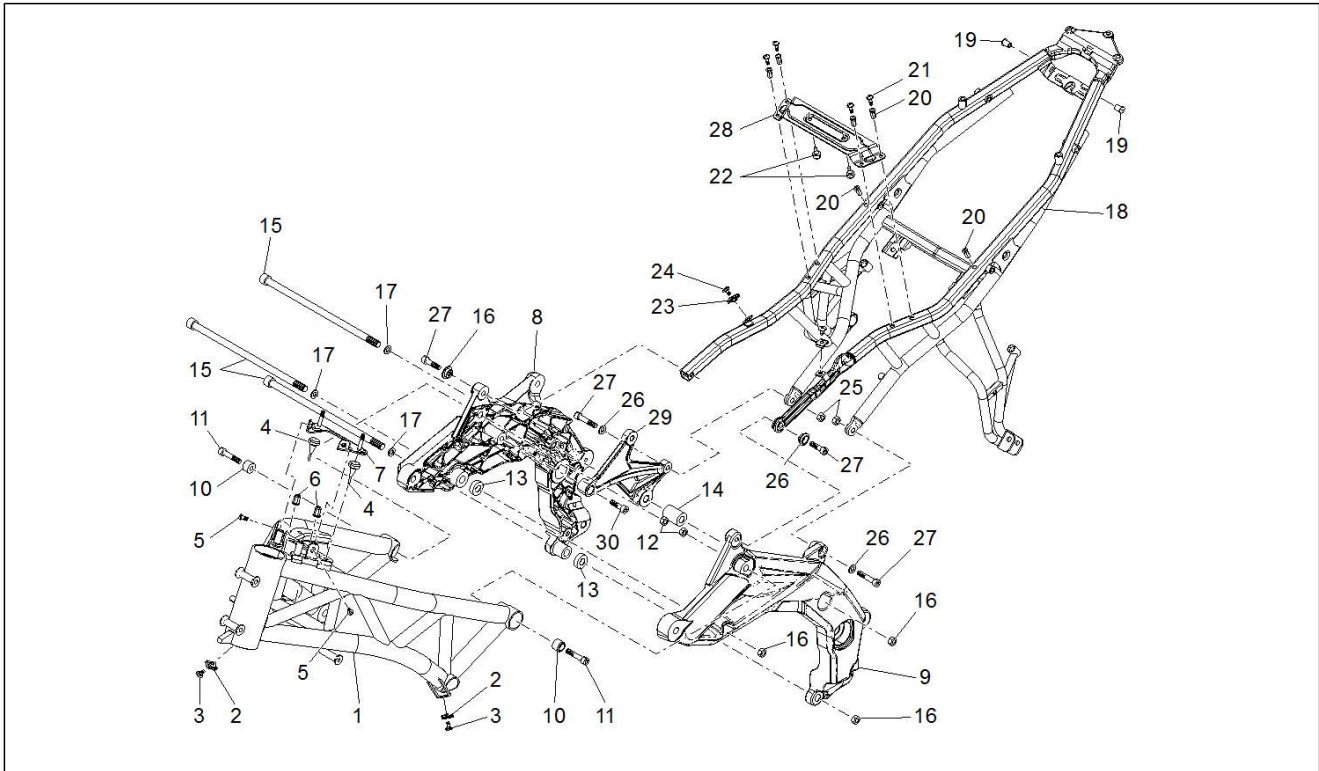
Code	No. table	Pos.	Code	No. table	Pos.	Code	No. table	Pos.
B044843	01.020	34	B046010	01.030	24	CM226901	10.020	21
B044844	01.020	31	B046021	01.050	31	CM226901	10.020	30
B044845	01.020	35	B046023	11.020	41	CM226902	10.020	23
B044846	02.130	13	B046048	04.090	27	CM226903	10.020	33
B044849	02.140	5	B046049	05.010	7	CM226905	10.020	32
B044850	02.140	6	B046052	06.050	2	CM226906	10.020	34
B04485100BM	02.140	10	B046057	07.010	14	CM226908	10.020	35
B04485100XRC	02.140	10	B046057	07.020	2	CM226909	10.020	31
B04485100YE5	02.140	10	B046077	01.050	27	CM228401	01.020	21
B044852	02.160	1	B046078	01.050	28	GU01154230	03.200	22
B044853	02.160	3	B046079	02.070	29	GU01154230	10.010	10
B044854	02.160	4	B046080	02.070	28	GU01161331	03.200	17
B044855	02.070	2	B046081	02.070	12	GU01161331	10.010	8
B044856	02.070	1	B046124	04.090	31	GU01603480	07.020	12
B045014	02.040	6	B046127	06.030	22	GU14217901	02.050	10
B045015	08.020	8	B046128	10.020	1	GU14615901	02.050	11
B045033	05.020	17	B046153	03.050	7	GU30027931	03.050	14
B045034	02.150	1	B046157	02.030	1	GU30729330	03.050	13
B045069	02.170	1	B046196	03.060	9	GU32441210	01.020	19
B045075	10.020	16	B046197	03.050	8	GU92660021	03.330	16
B045103	02.070	9	B046222	03.020	16	GU95005310	02.050	12
B04511400X11	01.010	1	B046223	03.020	1	GU98257618	02.050	3
B045183	02.190	4	B046225	11.020	6	GU98682650	01.030	25
B045215	03.330	10	B046226	11.020	7	GU98682650	01.030	33
B045240	01.020	1	B046342	01.020	37	GU98690445	02.160	11
B045241	01.020	2	B046343	07.010	6	GU98692420	02.160	9
B045246	03.330	7	B064023	02.120	3			
B045249	03.330	26	B064023	02.120	6			
B045250	03.330	27	B064070	04.090	19			
B045254	07.010	1	CM001901	10.020	14			
B045255	07.010	13	CM001903	10.020	15			
B045316	01.010	28	CM017403	02.040	11			
B045320	09.010	5	CM017403	08.020	12			
B045321	11.010	14	CM074706	03.060	6			
B045351	02.030	10	CM083529	11.020	23			
B045392	07.010	7	CM157201	03.110	3			
B045399	11.020	37	CM157202	03.110	3			
B045400	04.090	30	CM157203	03.110	3			
B045418	06.030	1	CM157204	03.110	3			
B045426	02.050	1	CM157205	03.110	3			
B045427	03.330	30	CM157206	03.110	3			
B045479	03.330	2	CM157207	03.110	3			
B045513	03.330	24	CM157208	03.110	3			
B045586	08.010	4	CM157209	03.110	3			
B045611	02.150	4	CM157210	03.110	3			
B045614	07.020	9	CM157211	03.110	3			
B045615	07.020	10	CM157212	03.110	3			
B045626	09.010	1	CM157213	03.110	3			
B045728	04.025	1	CM157214	03.110	3			
B045729	04.025	2	CM157215	03.110	3			
B045735	06.020	1	CM157216	03.110	3			
B045736	06.020	2	CM157217	03.110	3			
B045761	02.160	6	CM157218	03.110	3			
B045762	02.160	7	CM157219	03.110	3			
B045763	02.160	8	CM157220	03.110	3			
B045827	03.050	2	CM157221	03.110	3			
B045837	01.020	4	CM159101	03.160	6			
B045845	02.170	2	CM159601	03.040	3			
B045948	06.050	1	CM159602	03.040	3			
B045949	06.050	6	CM159603	03.040	3			
B045950	06.050	17	CM1607045	03.010	1			
B045951	06.050	18	CM179301	03.090	8			
B045999	07.030	17	CM221705	05.020	18			
B046000	06.050	16	CM225607	11.020	4			
B046007	11.020	38	CM225610	11.020	3			
B046008	11.020	35	CM225615	11.020	5			
B046009	01.010	7	CM225730	11.030	4			

Group	Frame
Code	01.010
Description	Frame
Service	1



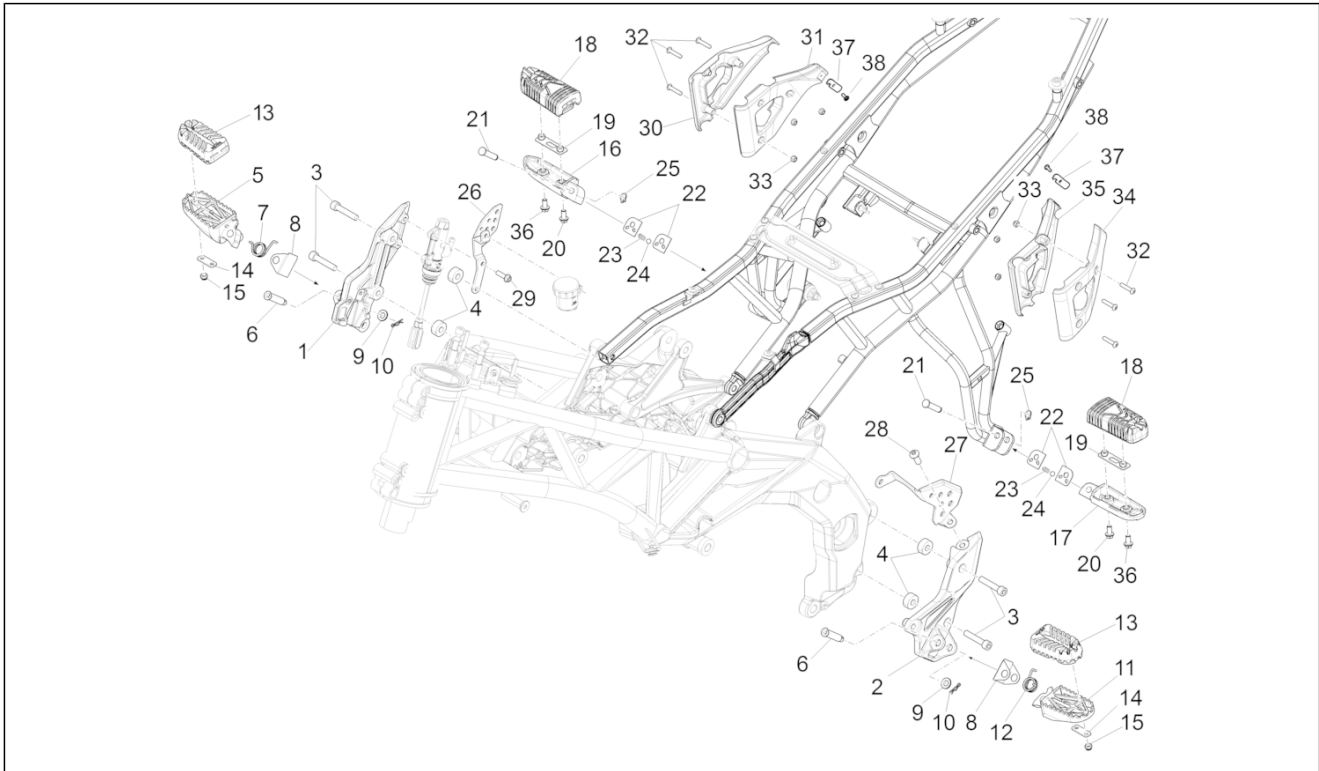
Pos.	Code	Description	Qty	Variants
1	B04511400X11	Frame	1	
2	AP8102375	Clip m5	2	
3	AP8150500	Hex socket screw M5x9	2	
4	AP8220238	Rubber spacer	2	
5	AP8150537	Hex socket screw M6x12	2	
6	AP8102902	Hex threaded insert	2	
7	B046009	Front stirrup	1	
8	85153600XNB	RH flank frame,black	1	
9	85153700XNB	LH side panel, black	1	
10	853037	Bush	4	
11	852165	Screw	4	
12	271740	Nut M12	4	
13	853036	Spacer	2	
14	896014	Spacer	1	
15	851784	Engine pin	3	
16	271740	Nut M12	3	
17	AP8150101	Washer 13x24x2,5*	3	
18	B044216	Saddle support	1	
19	AP8120531	Rubber w/ insert	2	
20	AP8201755	Threaded rivet	6	
21	AP8152298	Screw w/ flange M5x16	4	
22	AP8120001	Rubber spacer	2	
23	AP8102375	Clip m5	2	
24	AP8152339	Screw w/ flange M5x9	2	
25	AP8152350	Nut	2	
26	AP8150017	Washer 8,4x16x1,6	3	
27	AP8150236	Hex socket screw M8x35	2	
28	B045316	Support bracket	1	

Group	Frame
Code	01.010
Description	Frame
Service	1



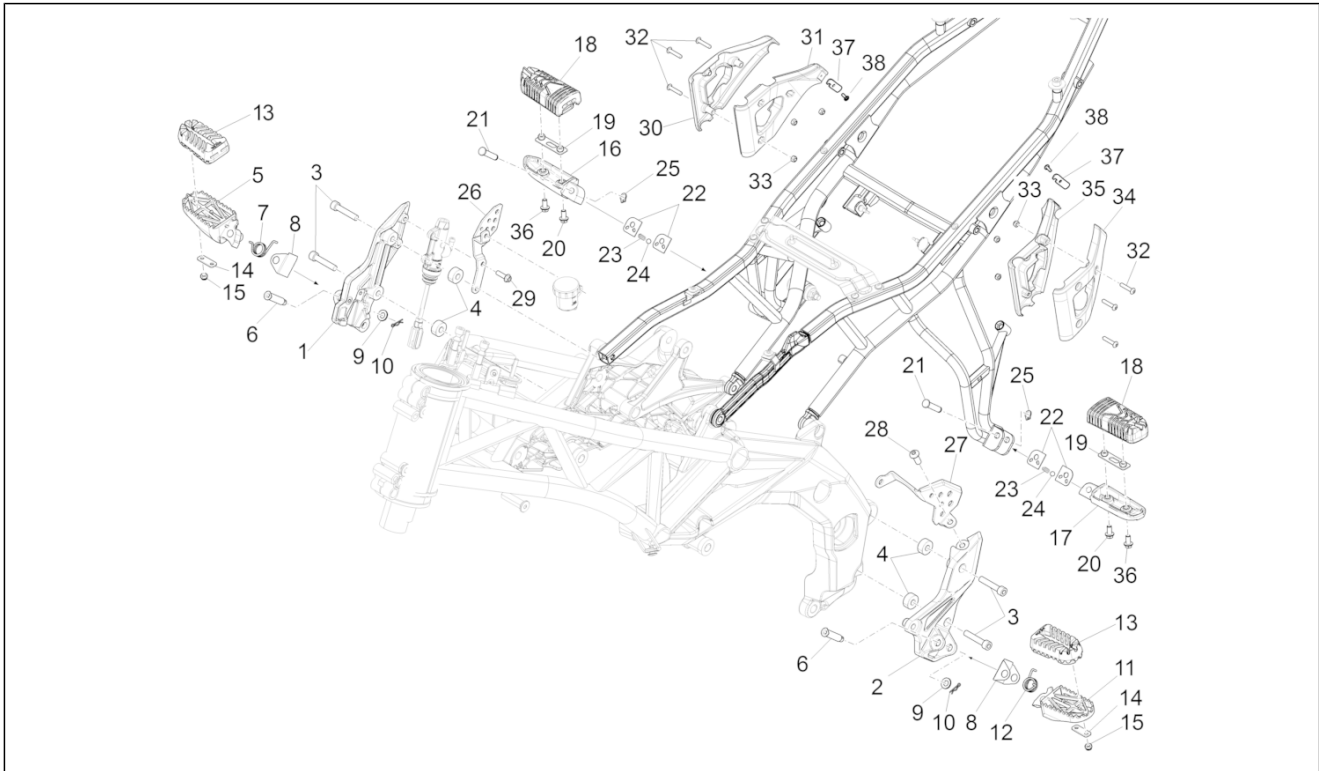
Pos.	Code	Description	Qty	Variants
29	851541	Shock absorber plate	1	
30	AP8150195	Hex socket screw M10x30	1	

Group	Frame
Code	01.020
Description	Foot rests
Service	1



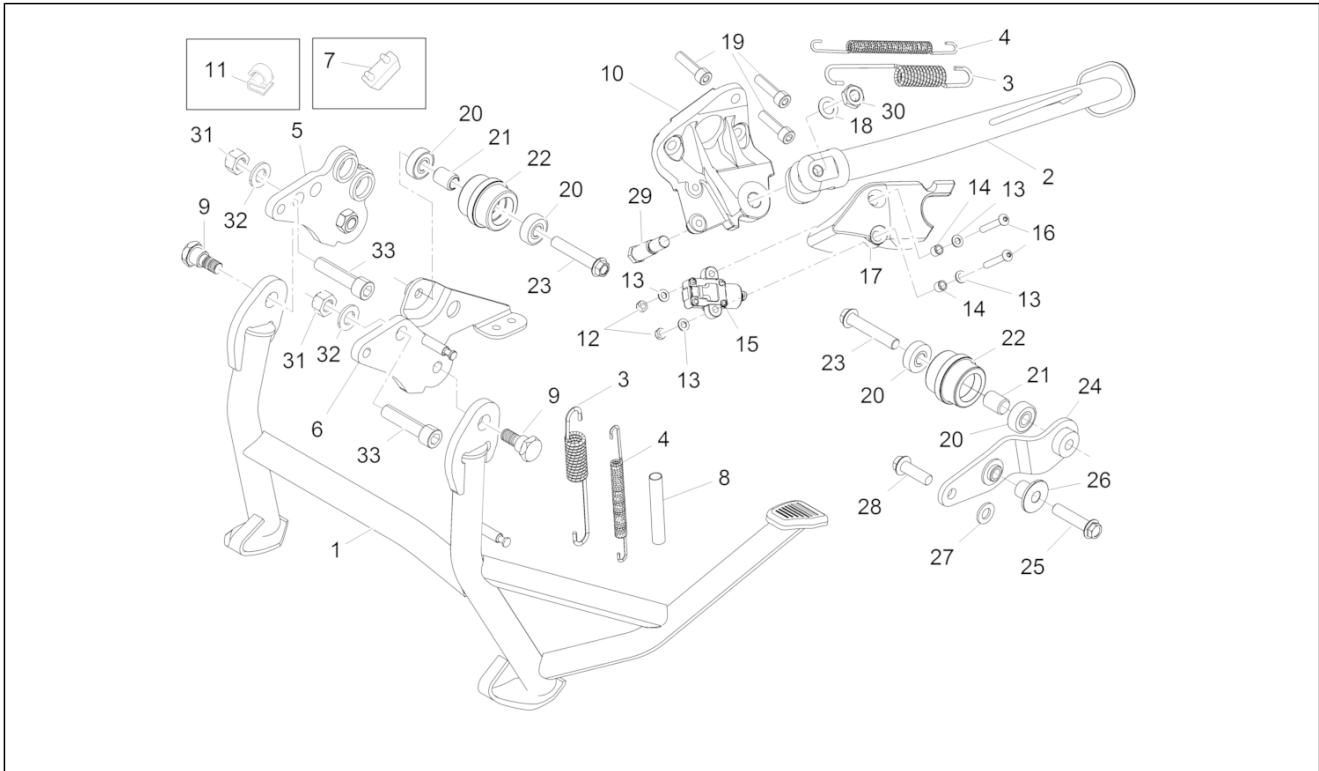
Pos.	Code	Description	Qty	Variants
1	B045240	RH front footrest bracket	1	
2	B045241	LH front footrest bracket	1	
3	AP8150171	Hex socket screw M8x40	4	
4	B045837	Bush	4	
5	859919	RH Foot rests	1	
6	AP9100197	Pin	2	
7	AP9100196	Spring RH	1	
8	859921	Footrest plate	2	
9	AP8163165	Stainless washer 16x8.4x1.6	2	
10	AP8201431	Split pin *	2	
11	859920	LH Foot rests	1	
12	AP9100195	Spring LH	1	
13	898639	Footrest rubber	2	
14	890243	Footrest plate	2	
15	AP8150451	Low self-locking nut	4	
16	AP8145008	Rear footrest, RH	1	
17	AP8145009	Rear footrest, LH	1	
18	898368	Footrest rubber	2	
19	GU32441210	Plate	2	
20	AP8152277	Screw w/ flange M6x12	2	
21	CM228401	Footrest pin	1	
22	AP8134451	Footrest plate	4	
23	AP8121133	Coil compress. spring	2	
24	AP8110110	Ball d.7	2	
25	AP8120573	Stop ring	2	
26	890164	RH protection	1	
27	860987	LH protection	1	
28	AP8152058	Hex socket screw M8x20	2	

Group	Frame
Code	01.020
Description	Foot rests
Service	1



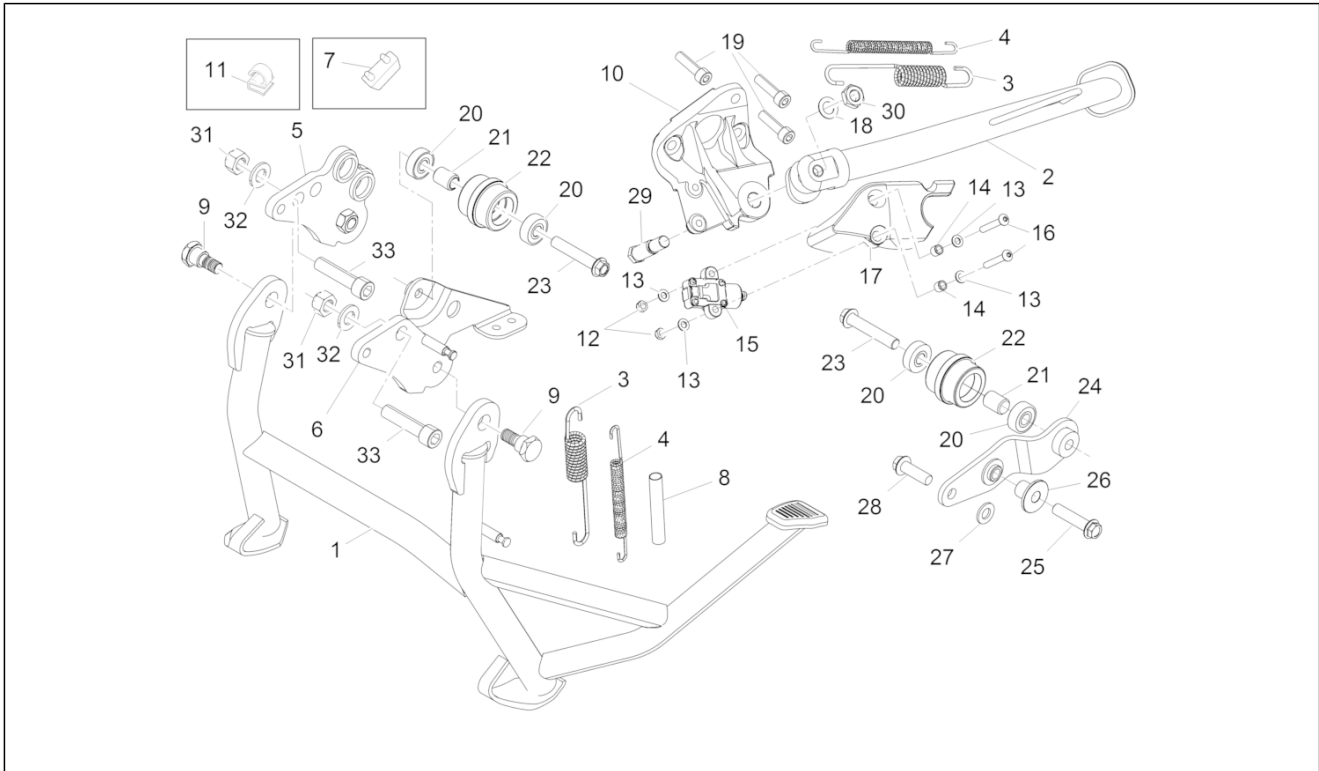
Pos.	Code	Description	Qty	Variants
29	AP8152279	Screw w/ flange M6x20	2	
30	B044842	Right external heel guard	1	
31	B044844	Right internal heel guard	1	
32	AP8152270	Hex socket screw M5x25	6	
33	AP8150311	Low self-locking nut	6	
34	B044843	Left external heel guard	1	
35	B044845	Left internal heel guard	1	
36	AP8152278	Screw w/ flange M6x16	2	
37	B046342	Bag holder hook	2	
38	AP8150444	Self-tapping screw	2	

Group	Frame
Code	01.030
Description	Central stand
Service	1



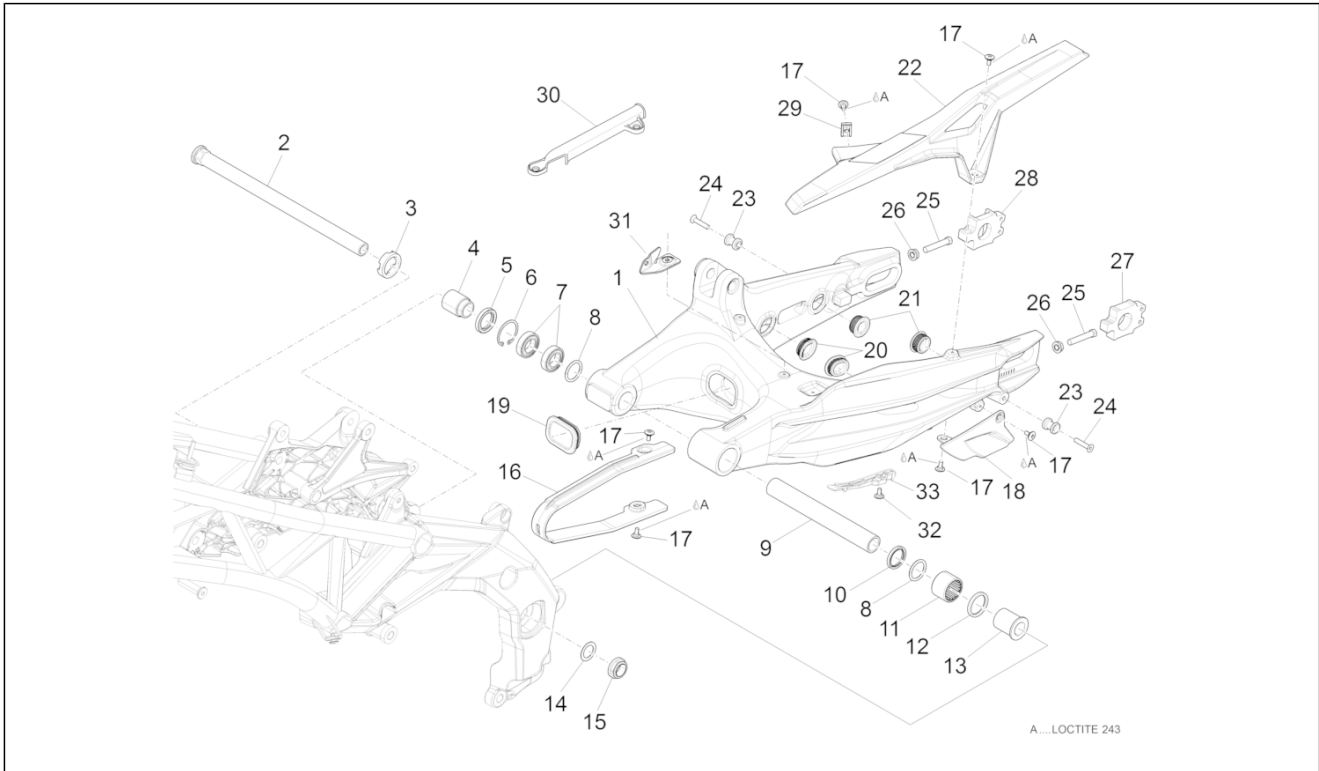
Pos.	Code	Description	Qty	Variants
1	2B000655	Central stand	1	
2	B044351	Lateral stand	1	
3	AP8221204	Lateral stand spring	1	
4	AP8221211	Internal lateral stand spring	1	
5	B044622	RH support	1	
6	B044621	LH support	1	
7	563984	Pad	1	
8	AP8102524	Stand spring protection	1	
9	2B000652	Central stand fixing screw	2	
10	B044415	Stand plate	1	
11	AP8201727	Black cable guide	1	
12	AP8150311	Low self-locking nut	2	
13	AP8150177	Washer 5,3X10X1	2	
14	AP8221036	Bushing 5,3x8x7,1	2	
15	AP8127856	Lateral stand switch	1	
16	AP8225369	Hex socket screw	2	
17	851790	Central stand cover	1	
18	AP8150292	Curved spring washer *	1	
19	AP8150107	Hex socket screw M8x30	3	
20	AP9100175	Ball bearing 8x22x7	2	
21	AP8161076	Spacer	1	
22	AP8161074	Black chain guide roller	1	
23	AP8152291	Screw w/ flange	1	
24	B046010	Support bracket	1	
25	GU98682650	Hex socket screw M12x50	1	
26	AP8121332	Bush	1	
27	AP8150017	Washer 8,4x16x1,6	1	
28	AP8152287	Screw w/ flange M8x25	1	

Group	Frame
Code	01.030
Description	Central stand
Service	1



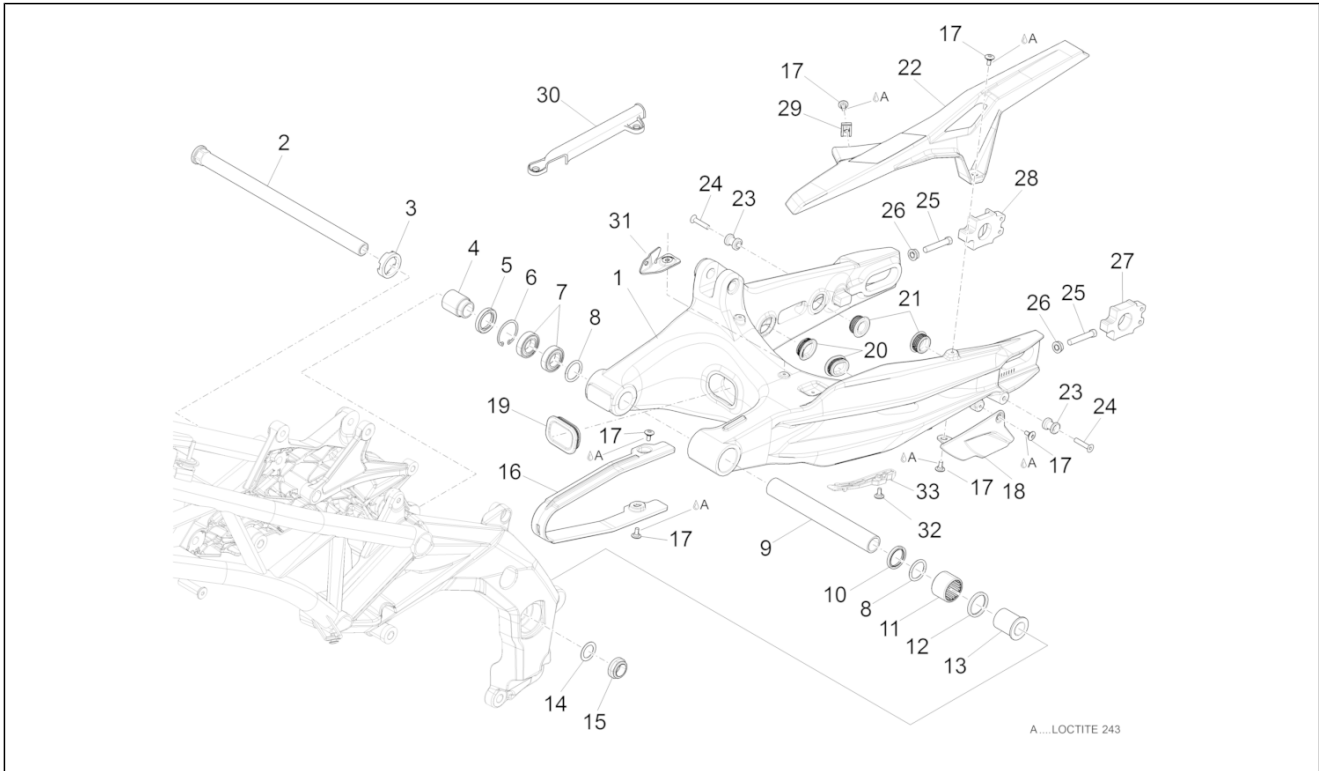
Pos.	Code	Description	Qty	Variants
29	852093	Pin	1	
30	AP8152001	Low nut M10x1,25	1	
31	AP8150432	Low self-locking nut M12*	1	
32	AP8150101	Washer 13x24x2,5*	2	
33	GU98682650	Hex socket screw M12x50	1	

Group	Frame
Code	01.050
Description	Swing arm
Service	1



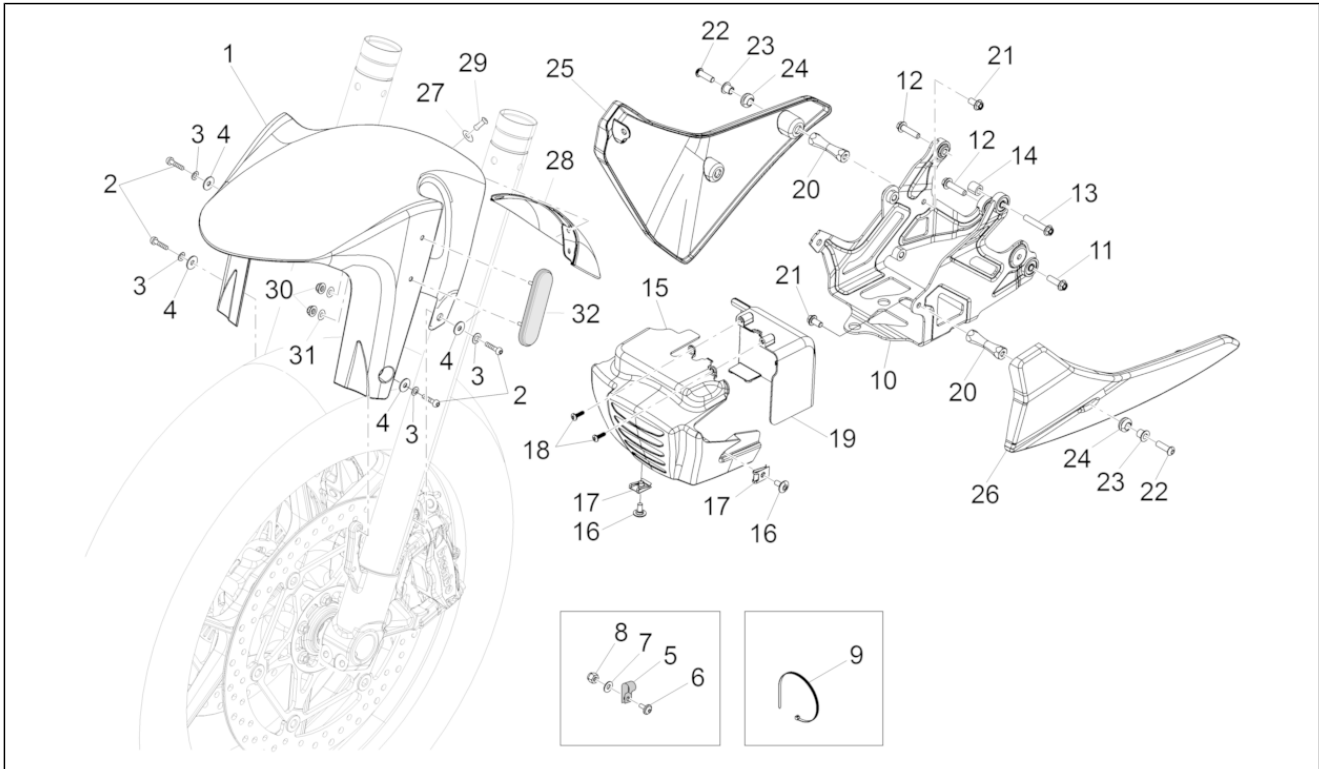
Pos.	Code	Description	Qty	Variants
1	85623200X12	Front fork	1	
2	85259R	Rear swing arm pin	1	
3	AP8121201	Swing arm ring nut	1	
4	AP8121200	Adjustment bush	1	
5	AP8144006	Gasket ring	1	
6	AP8121204	Inside circlip d37	1	
7	890002	Ball bearing 61904-2RS1	2	
8	AP8144048	O-ring 134	2	
9	AP8121570	Internal spacer	1	
10	890126	Gasket ring	1	
11	AP8110078	Cage à rouleaux	1	
12	AP8144005	Gasket ring	1	
13	AP8121203	Rear int.sw.arm piv.bush	1	
14	AP8125687	Wheel pin washer	1	
15	AP8125763	Rear wheel spindle nut	1	
16	AP8144168	Chain guide plate	1	
17	AP8150500	Hex socket screw M5x9	6	
18	859929	Chain guide plate	1	
19	860898	Cover	1	
20	860899	Cover	2	
21	860900	Cover	2	
22	856787	Chain guard	1	
23	AP8121890	Rear stand bush	2	
24	255638	screw	2	
25	AP8152305	Chain tens.adjuster screw	2	
26	AP8150334	Nut M8	2	
27	B046077	***Left terminal	1	
28	B046078	***RIGHT TERMINAL	1	

Group	Frame
Code	01.050
Description	Swing arm
Service	1



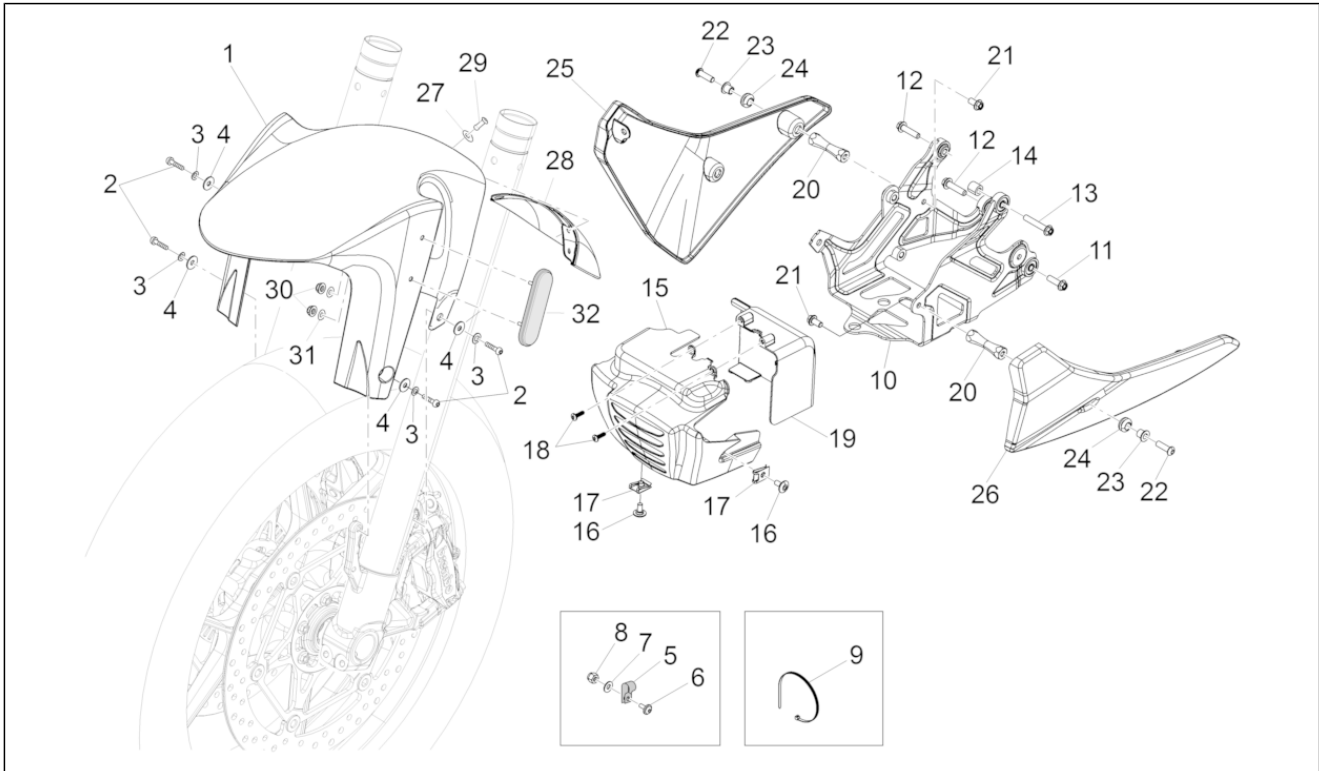
Pos.	Code	Description	Qty	Variants
29	AP8102375	Clip m5	1	
30	895349	Brake hose protection	1	
31	B046021	***SWING ARM COMPLETE	1	
32	AP8150500	Hex socket screw M5x9	1	
33	2B000307	Chain tensioner	1	

Group	Body
Code	02.030
Description	Front mudguard-Pillar
Service	1



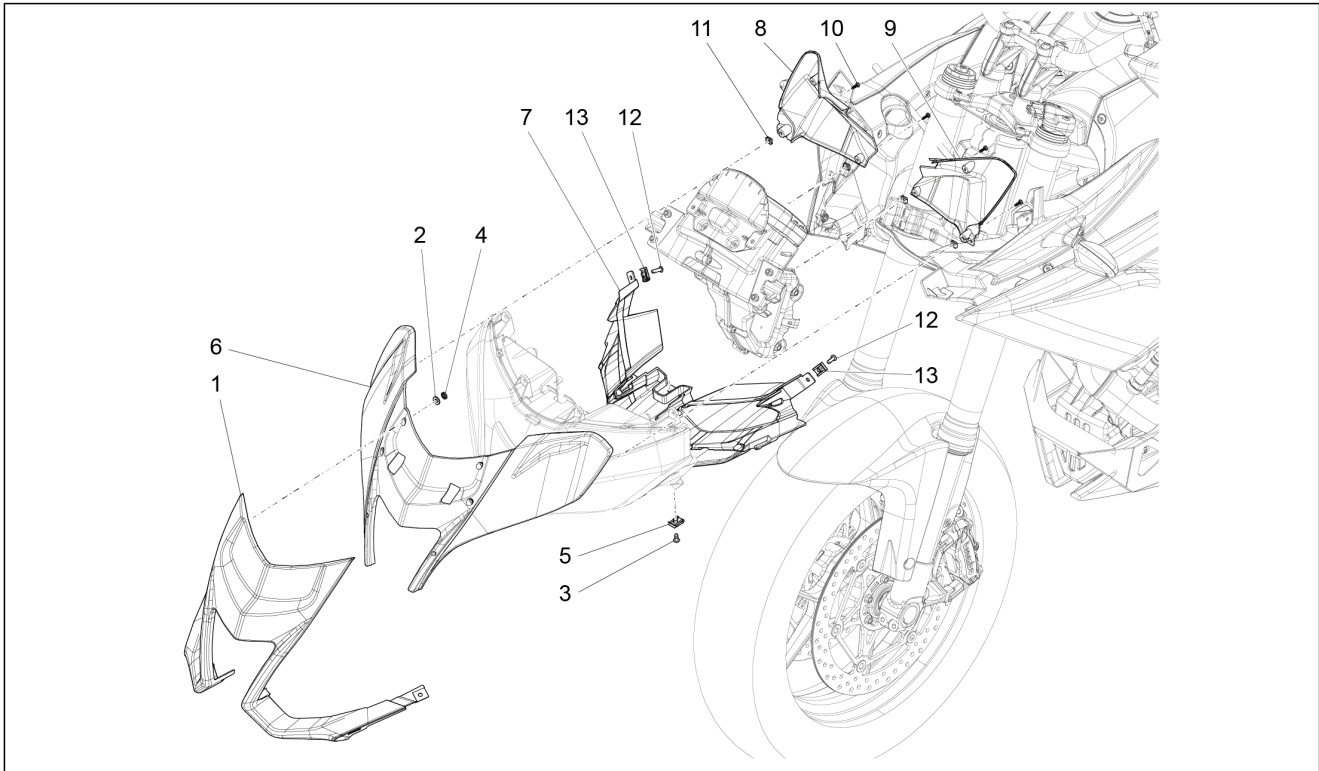
Pos.	Code	Description	Qty	Variants
1	B046157	Photoengraved front mudguard	1	
2	AP8150500	Hex socket screw M5x9	4	
3	AP8152154	Washer 8,4x13*	4	
4	AP8150248	Washer 5,5x15x1,6	4	
5	AP8101890	Black hose D8	1	
6	AP8150493	Hex socket screw M4x16	1	
7	895916	Plastic washer	1	
8	AP8150204	Nut M4	1	
9	AP8102386	Hose clamp 155x2	1	
10	B045351	Holder ABS	1	
11	AP8152279	Screw w/ flange M6x20	1	
12	AP8152280	Screw w/ flange M6x25	2	
13	AP8152282	Screw w/ flange M6x35	1	
14	860667	Spacer	1	
15	2B000251	Front panel	1	
16	AP8152239	Screw m5	2	
17	AP8102375	Clip m5	2	
18	AP8150413	Self-tap screw 3,9x14	2	
19	2B000252	Rear panel	1	
20	860628	Spacer	2	
21	AP8152277	Screw w/ flange M6x12	2	
22	AP8224470	Hex socket screw M6x20	2	
23	AP8121795	T bush	2	
24	AP8112600	Rubber spacer	2	
25	2B000249	RH Pillar	1	
26	2B000250	LH Pillar	1	
27	AP8150501	Washer	4	
28	2B000500	Front splash guard	1	

Group	Body
Code	02.030
Description	Front mudguard-Pillar
Service	1



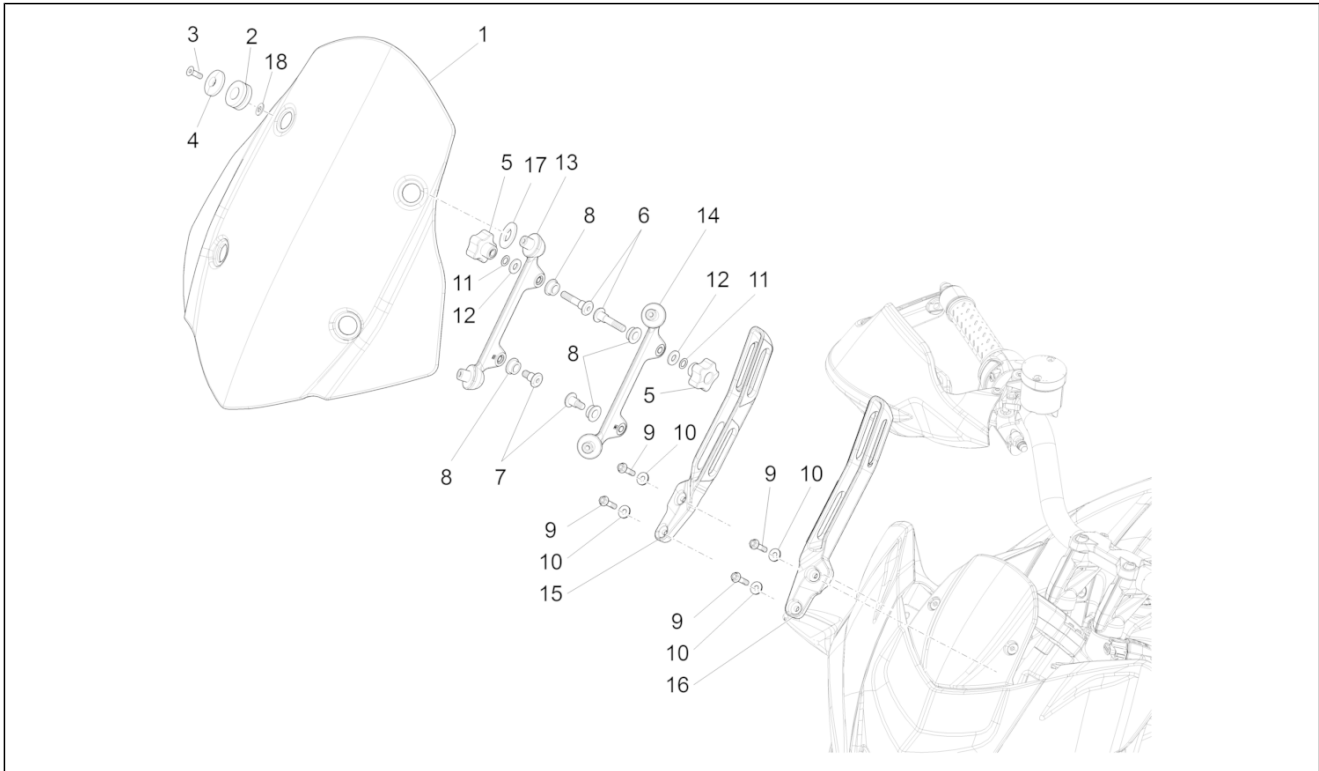
Pos.	Code	Description	Qty	Variants
29	AP8102029	Tearing rivet	4	
30	AP8150204	Nut M4	4	
31	AP8150158	Washer 4,3X9X0,8	4	
32	AP8124719	Reflector, amber	2	

Group	Body
Code	02.040
Description	Front fairing
Service	1



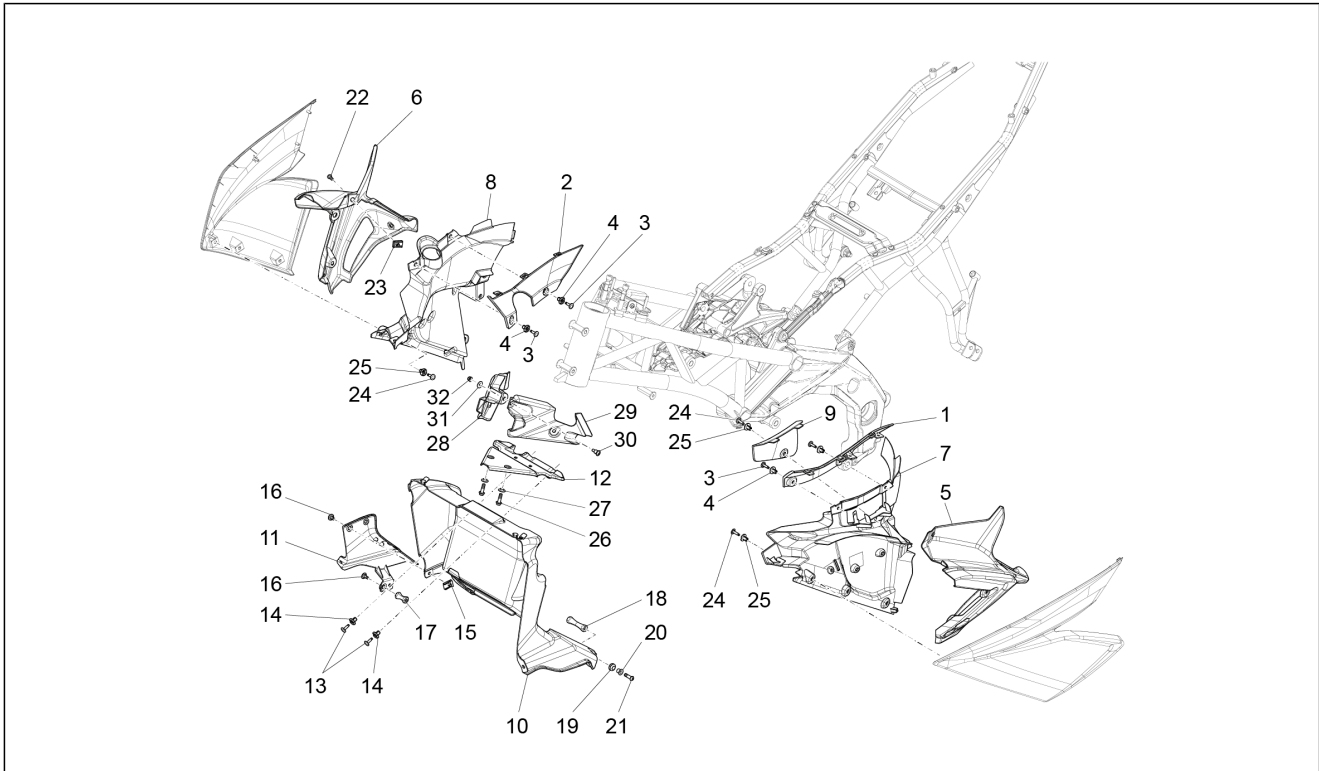
Pos.	Code	Description	Qty	Variants
1	B04482400BM	Front fairing, white	1	Vehicle colour:
1	B04482400XRC	Front fairing, red	1	Vehicle colour:
2	AP8102504	Rubber spacer	10	
3	AP8152267	Hex socket screw M5x12	1	
4	AP8150450	Washer for shafts D5	12	
5	AP8102375	Clip m5	1	
6	B045014	Front spoiler	1	
7	B044821	Baffle	1	
8	B044819	Dashboard panel DX	1	
9	B044820	Dashboard panel SX	1	
10	018536	Self-tap screw 3,5x13	6	
11	CM017403	Spring plate	6	
12	AP8152268	Hex socket screw M5x16	2	
13	AP8102375	Clip m5	2	

Group	Body
Code	02.050
Description	Windshield
Service	1



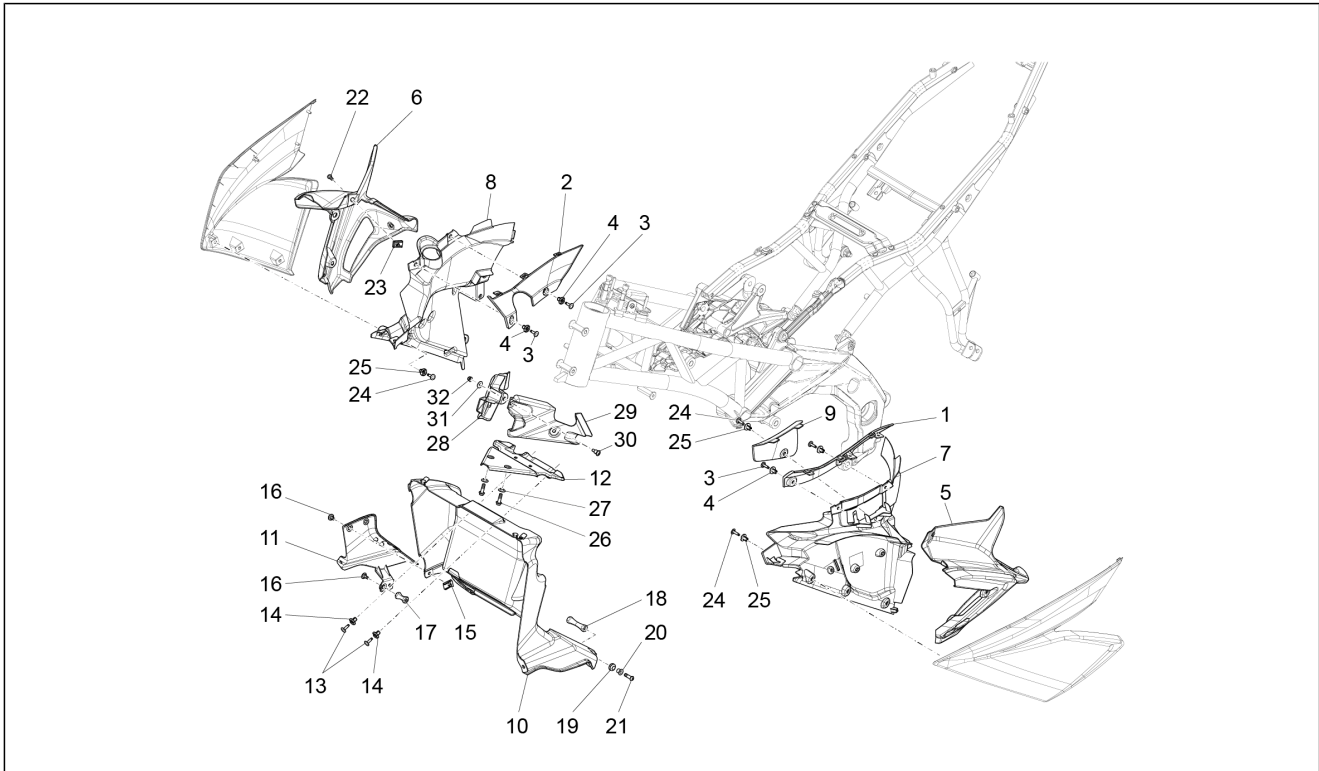
Pos.	Code	Description	Qty	Variants
1	B045426	Windscreen	1	
2	560173	Rubber spacer	4	
3	GU98257618	Screw M6x18	4	
4	269787	Special washer nero	4	
5	977681	Knob	2	
6	886078	Threaded pin	2	
7	886079	Threaded pin	2	
8	886236	T bush	4	
9	AP8152280	Screw w/ flange M6x25	4	
10	GU14217901	Washer 6,4x10x0,7	4	
11	GU14615901	Washer 8,4X13X0,8	2	
12	GU95005310	Washer 8,4x18x2	2	
13	886195	RH support	1	
14	886196	LH support	1	
15	886197	RH clamp	1	
16	886198	LH clamp	1	
17	2B000589	Washer	2	
18	2B000588	Washer	2	

Group	Body
Code	02.070
Description	Duct
Service	1



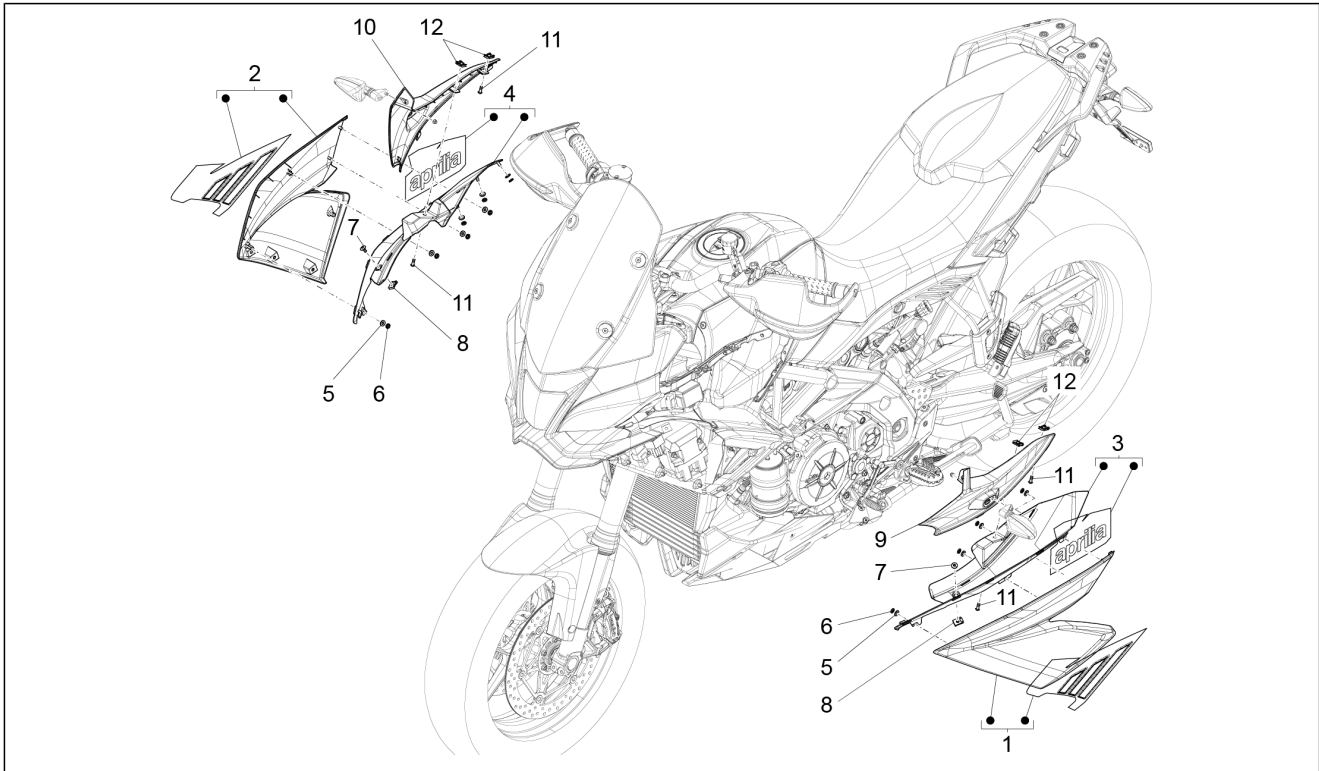
Pos.	Code	Description	Qty	Variants
1	B044856	Left fairing closing	1	
2	B044855	Right fairing closing	1	
3	AP8144563	Rivet, male	4	
4	AP8144616	Rivet, female	4	
5	B044832	Radiator duct SX	1	
6	B044831	Radiator duct DX	1	
7	B044830	Left internal side	1	
8	B044829	Right internal side	1	
9	B045103	Top cover	1	
10	B044833	Water cooler protection	1	
11	B044834	Duct bulkhead SX	1	
12	B046081	Lower protection	1	
13	AP8144563	Rivet, male	2	
14	AP8144616	Rivet, female	2	
15	248419	Spring plate m5	2	
16	AP8150500	Hex socket screw M5x9	3	
17	893255	Spacer	1	
18	860628	Spacer	1	
19	AP8112600	Rubber spacer	1	
20	AP8121795	T bush	1	
21	AP8224470	Hex socket screw M6x20	1	
22	AP8152268	Hex socket screw M5x16	1	
23	AP8102375	Clip m5	1	
24	AP8144563	Rivet, male	7	
25	AP8144616	Rivet, female	7	
26	AP8152279	Screw w/ flange M6x20	2	
27	AP8121032	Bush	2	
28	B046080	RH protection	1	

Group	Body
Code	02.070
Description	Duct
Service	1



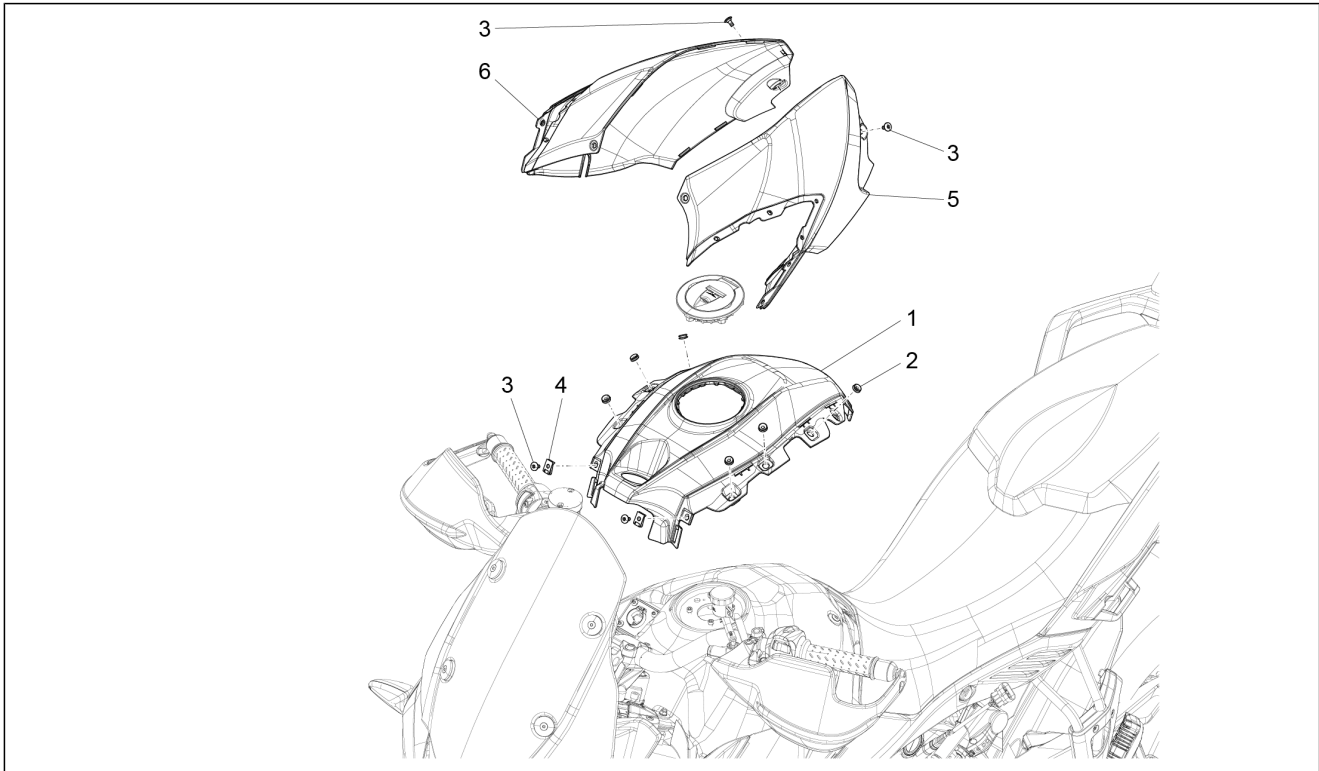
Pos.	Code	Description	Qty	Variants
29	B046079	LH protection	1	
30	893132	screw	1	
31	AP8152348	Spacer	1	
32	AP8152306	Self-locking nut m5	1	

Group	Body
Code	02.080
Description	Side fairing
Service	1



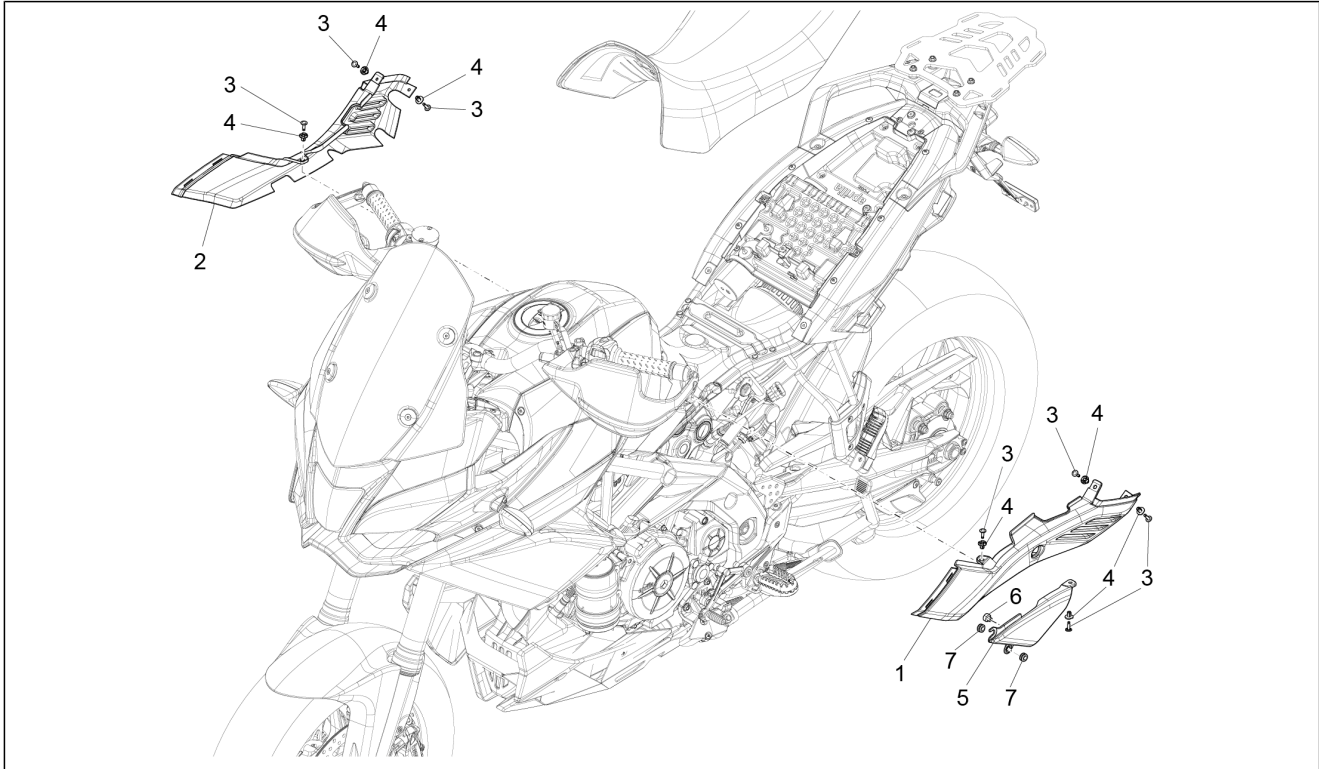
Pos.	Code	Description	Qty	Variants
1	2H000058000BM	LH side panel, white	1	Vehicle colour:
1	2H000121000XRC	LH side panel, red	1	Vehicle colour:
2	2H000057000BM	RH side panel, white	1	Vehicle colour:
2	2H000120000XRC	RH side panel, red	1	Vehicle colour:
3	2H000060000BM	Left fairing closing	1	Vehicle colour:
3	2H000123000XRC	Left fairing closing v.rosso	1	Vehicle colour:
4	2H000059000BM	Right fairing closing	1	Vehicle colour:
4	2H000122000XRC	Right fairing closing v.rosso	1	Vehicle colour:
5	AP8102504	Rubber spacer	16	
6	AP8150450	Washer for shafts D5	16	
7	AP8150500	Hex socket screw M5x9	2	
8	AP8102375	Clip m5	2	
9	B044823	LH side panel upper	1	
10	B044822	RH side panel upper	1	
11	AP8152268	Hex socket screw M5x16	4	
12	AP8102375	Clip m5	4	

Group	Body
Code	02.090
Description	Tank cover
Service	1



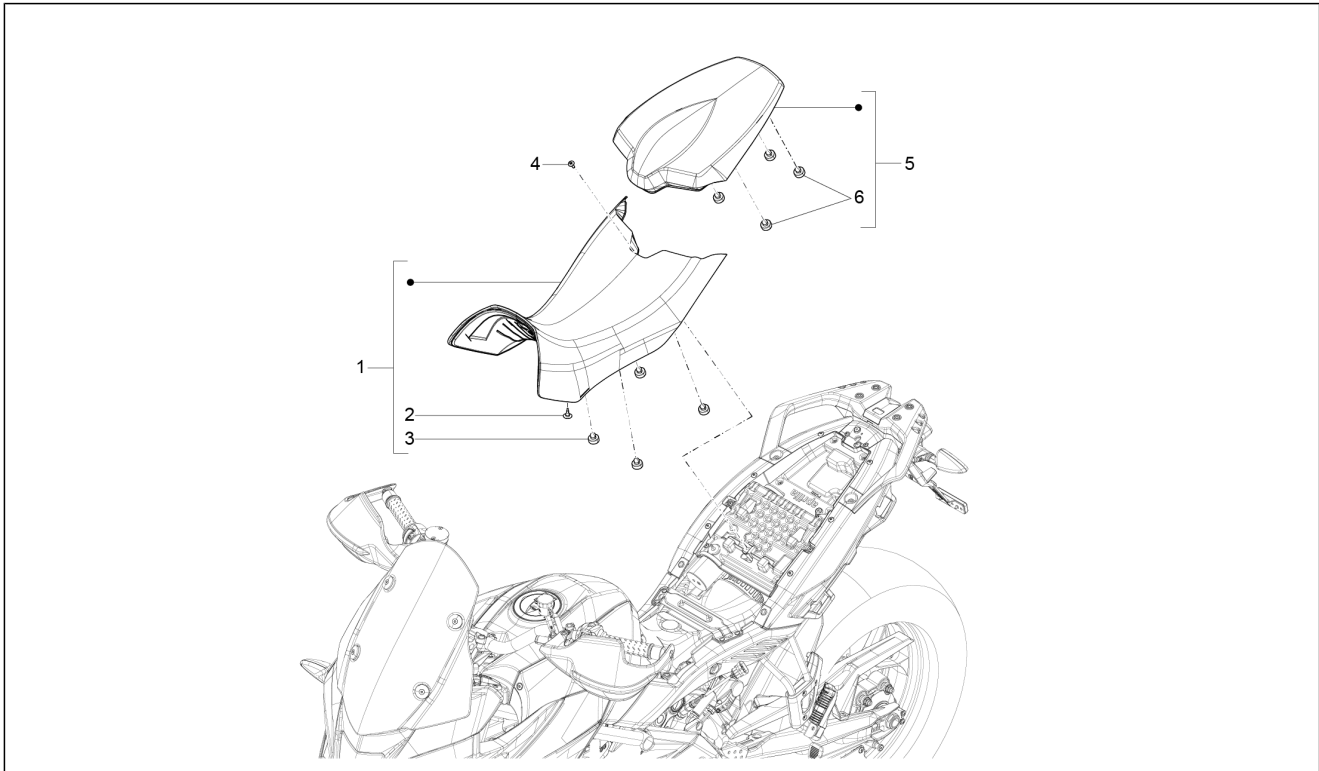
Pos.	Code	Description	Qty	Variants
1	B044837	Central cover	1	
2	197551	Cover	6	
3	AP8150500	Hex socket screw M5x9	4	
4	AP8102375	Clip m5	2	
5	B04483900BM	Left side cover	1	Vehicle colour:
5	B04483900XRC	Left side cover	1	Vehicle colour:
5	B04483900YE5	Left side cover	1	Vehicle colour:
6	B04483800BM	Right side cover	1	Vehicle colour:
6	B04483800XRC	Right side cover	1	Vehicle colour:
6	B04483800YE5	Right side cover	1	Vehicle colour:

Group	Body
Code	02.100
Description	Central body
Service	1



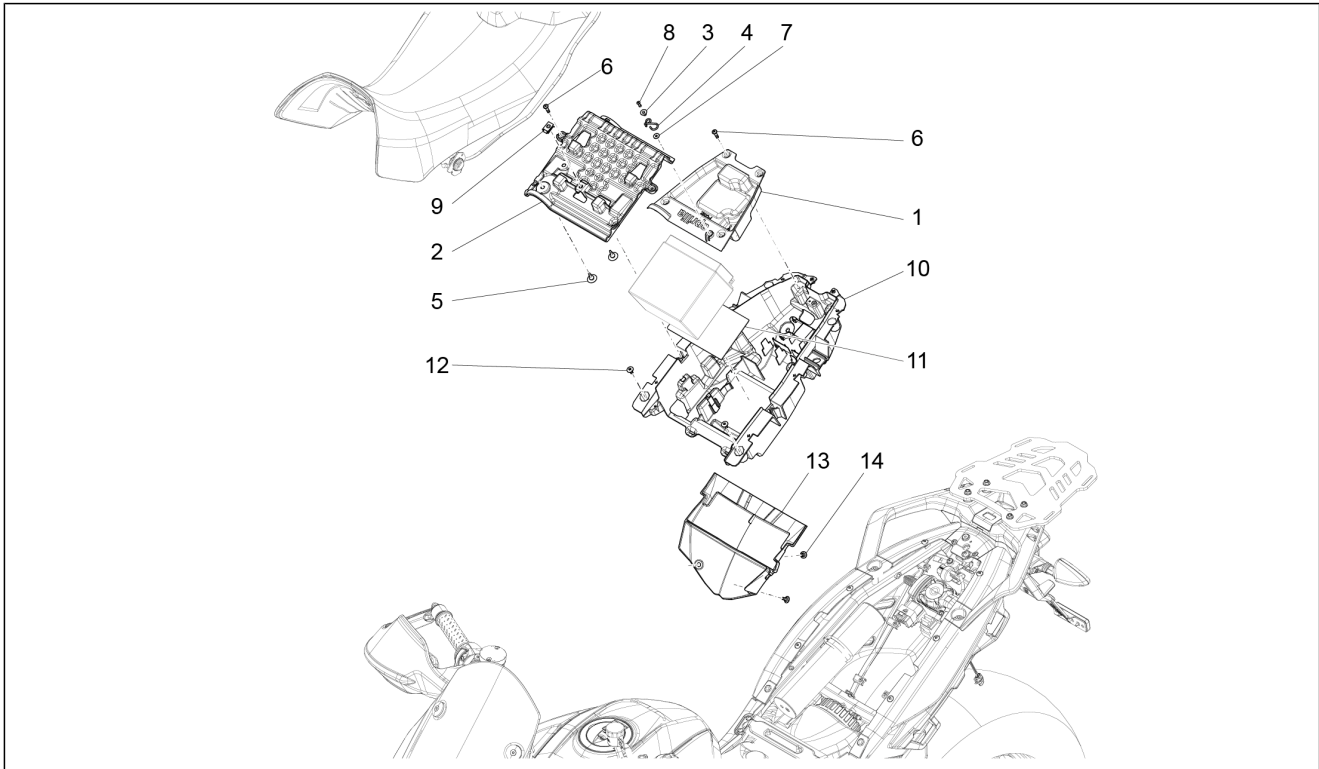
Pos.	Code	Description	Qty	Variants
1	B044841	Panel SX	1	
2	B044840	Panel DX	1	
3	AP8144563	Rivet, male	7	
4	AP8144616	Rivet, female	7	
5	2B000286	LH side panel, lower	1	
6	AP8144081	Rubber spacer	1	
7	AP8112600	Rubber spacer	2	

Group	Body
Code	02.120
Description	Saddle
Service	1



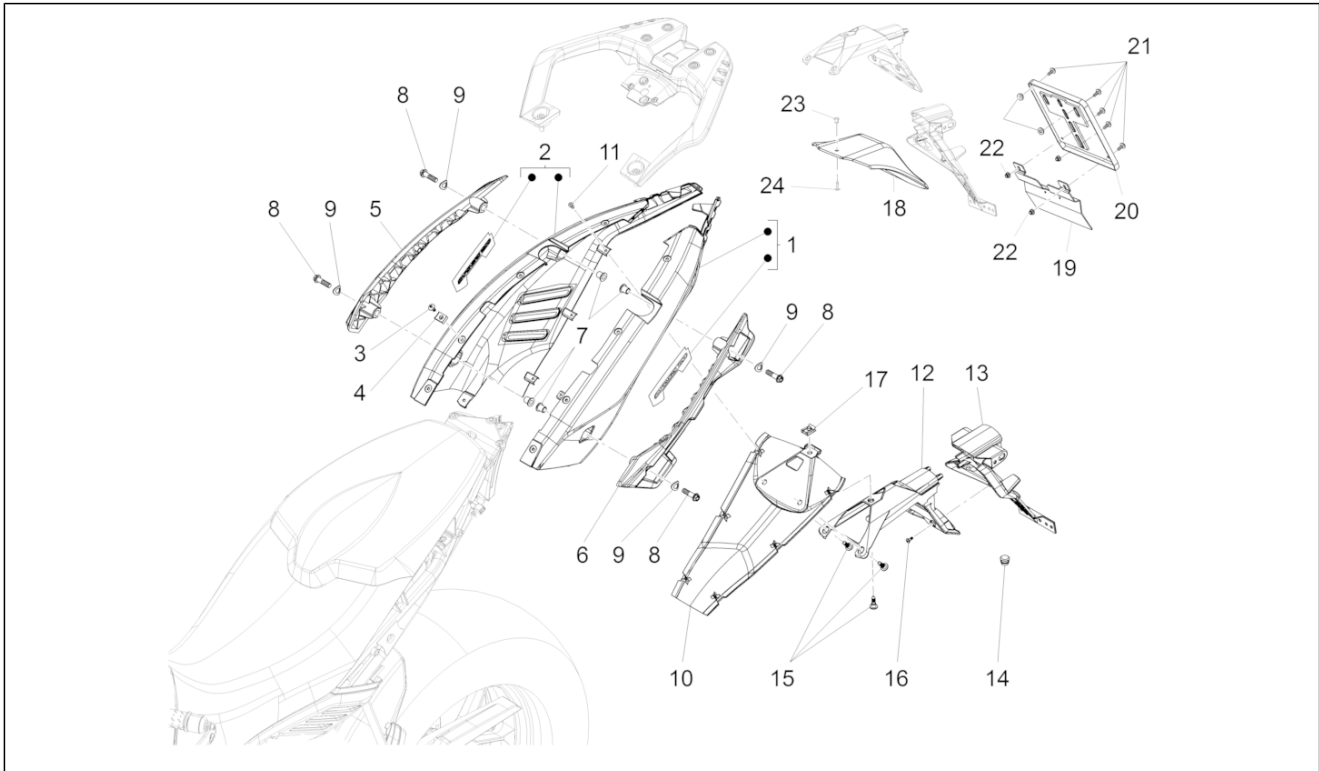
Pos.	Code	Description	Qty	Variants
1	B04456600C1	Driver saddle	1	
2	2B000421	***NAD RUBBER 201600	1	
3	B064023	Saddle rubber	4	
4	AP8152302	Screw w/ flange M5x12	1	
5	B04456700C1	Rear saddle	1	
6	B064023	Saddle rubber	4	

Group	Body
Code	02.130
Description	Saddle compartment
Service	1



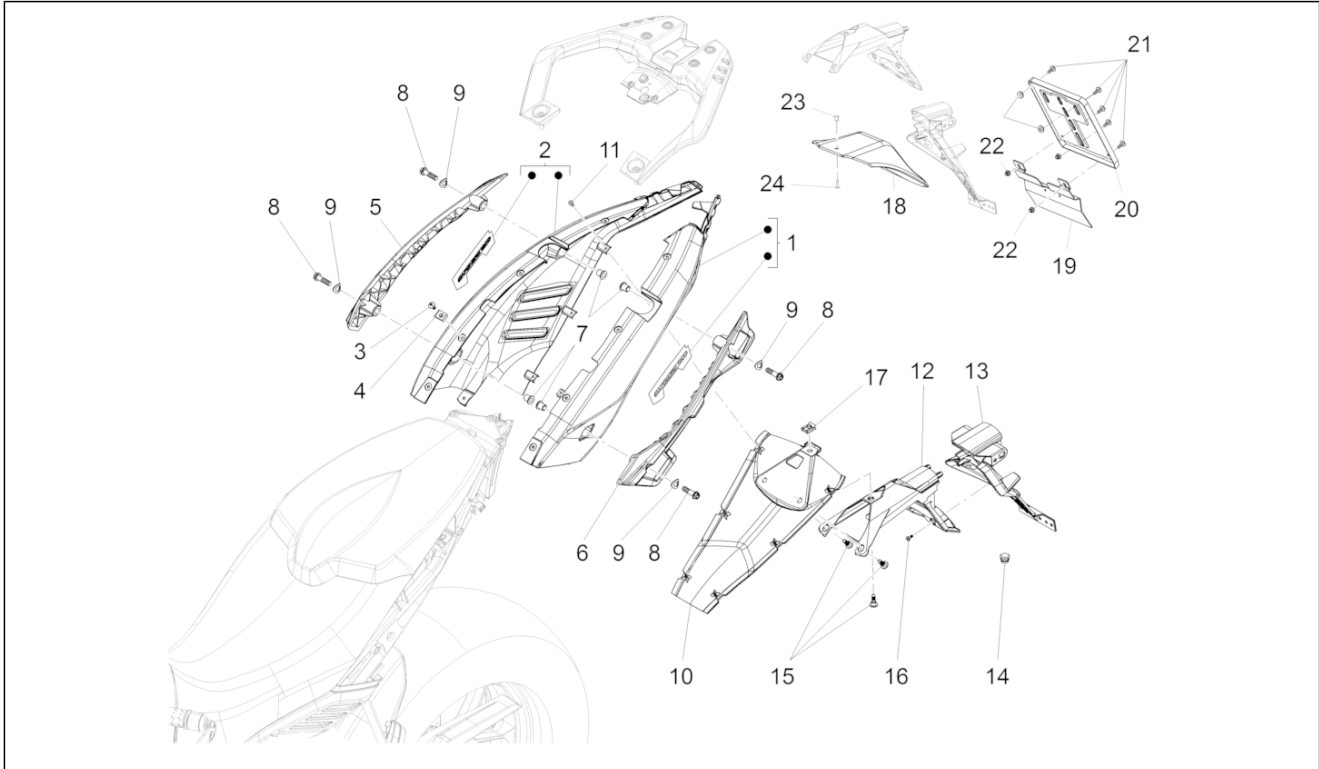
Pos.	Code	Description	Qty	Variants
1	2B000663	Top cover	1	
2	B044762	Battery cover	1	
3	2L000036	T bush	1	
4	AP8221206	Helmet holder hook	1	
5	AP8120001	Rubber spacer	2	
6	AP8152329	Phillips screw, SWP M5x20	8	
7	AP8150011	Washer 4,3x12x1	1	
8	AP8102029	Tearing rivet	1	
9	AP8102375	Clip m5	2	
10	2B000643	Saddle compartment	1	
11	AP8144553	Support rubber part	1	
12	AP8152302	Screw w/ flange M5x12	2	
13	B044846	Fuel tank cover	1	
14	AP8150500	Hex socket screw M5x9	2	

Group	Body
Code	02.140
Description	Rear body
Service	1



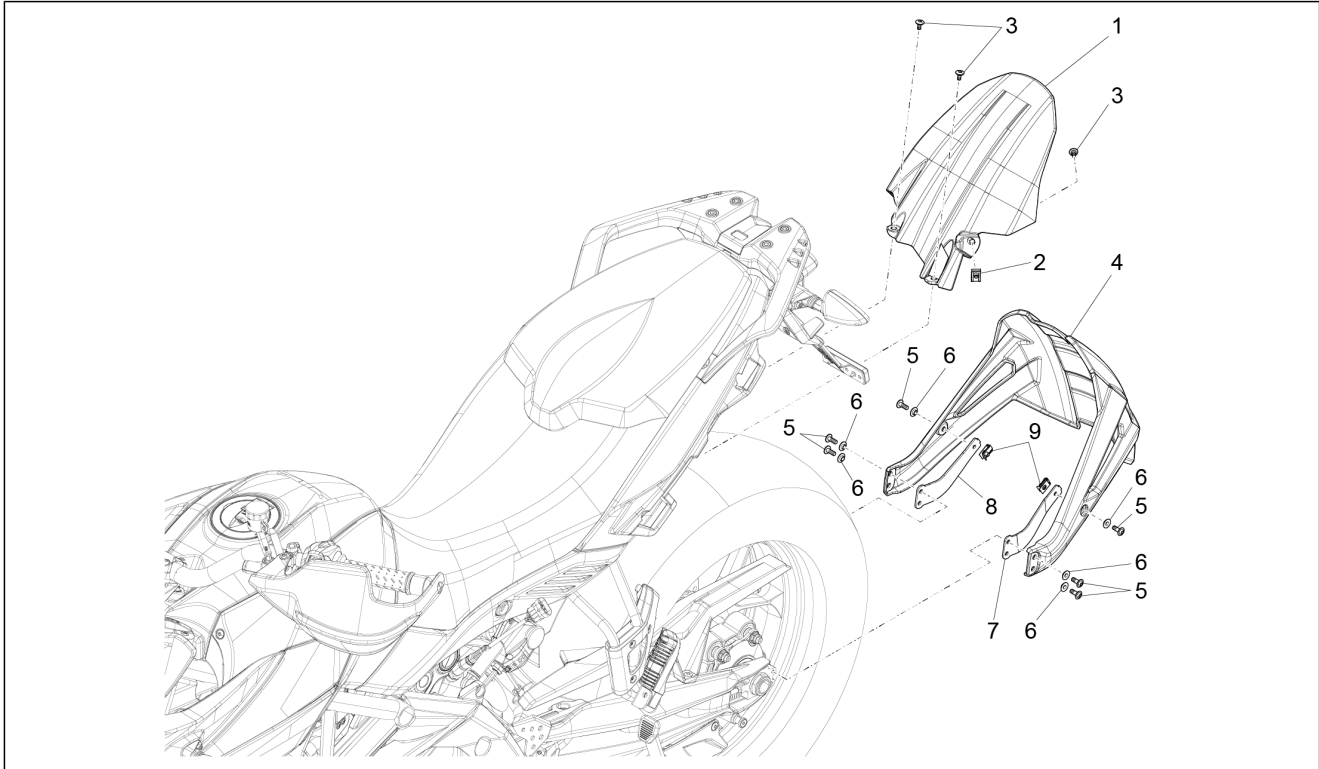
Pos.	Code	Description	Qty	Variants
1	2H000062000BM	LH rear fairing, white	1	Vehicle colour:
1	2H000104000YE5	LH rear fairing, grey	1	Vehicle colour:
1	2H000125000XRC	LH rear fairing, red	1	Vehicle colour:
2	2H000061000BM	RH rear fairing, white	1	Vehicle colour:
2	2H000103000YE5	RH rear fairing, grey	1	Vehicle colour:
2	2H000124000XRC	RH rear fairing, red	1	Vehicle colour:
3	896174	Hex socket screw M5x12	6	
4	248419	Spring plate m5	6	
5	B044849	Right bags coupling	1	
6	B044850	Left bags coupling	1	
7	AP8125882	T bush	4	
8	AP8152187	Low head socket screw	4	
9	AP8150502	Washer 15x8x0,8	4	
10	B04485100BM	Saddle mounting closing	2	Vehicle colour:
10	B04485100XRC	Painted red saddle mounting closing	1	Vehicle colour:
10	B04485100YE5	Saddle mounting closing	1	Vehicle colour:
11	AP8150444	Self-tapping screw	6	
12	858840	Upper Number plate holder	1	
13	858842	Lower Number plate holder	1	
14	894657	Cover	1	
15	575249	Screw with shank M6	3	
16	AP8150444	Self-tapping screw	4	
17	AP8102375	Clip m5	1	
18	895487	Upper Rear mudguard	1	Country:
19	895488	Lower Rear mudguard	1	Country:
20	895914	Number plate holder	1	Country:
21	AP8152298	Screw w/ flange M5x16	5	Country:
22	AP8152306	Self-locking nut m5	5	

Group	Body
Code	02.140
Description	Rear body
Service	1



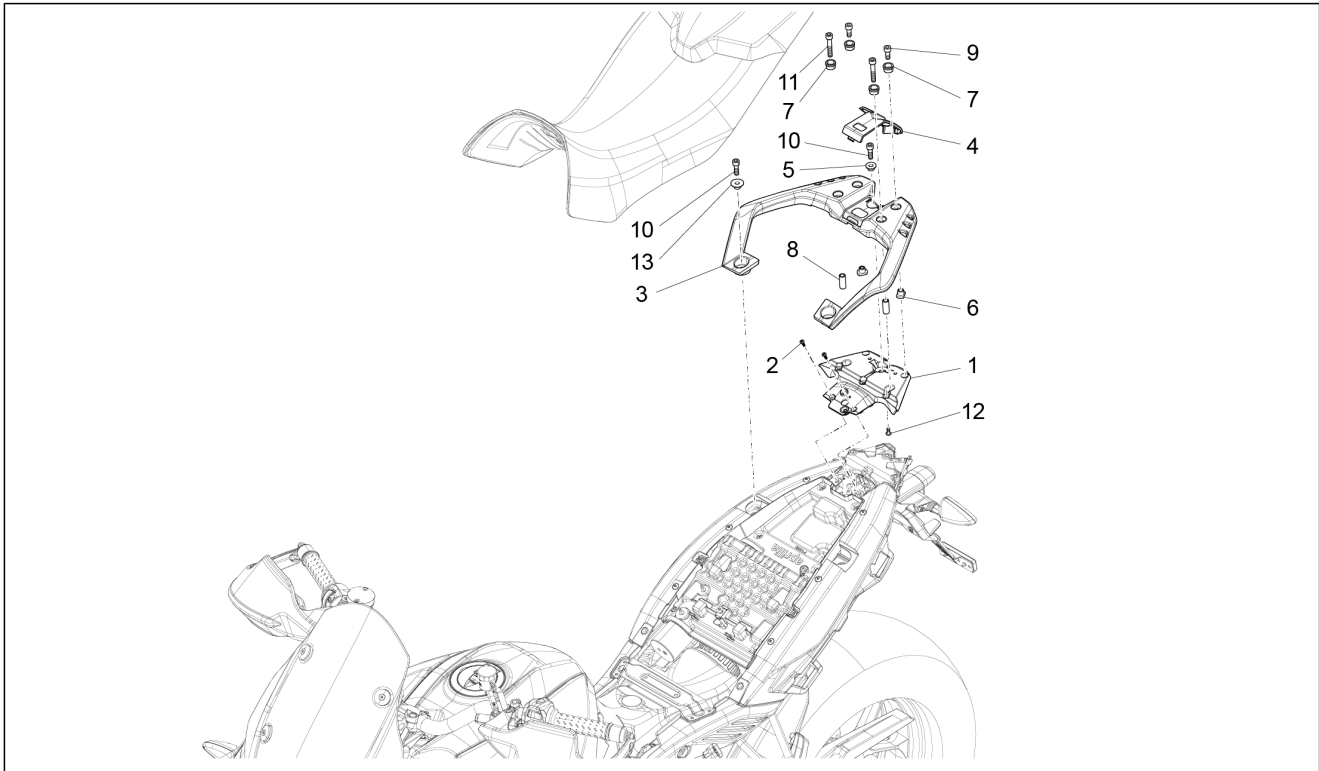
Pos.	Code	Description	Qty	Variants
23	AP8144563	Rivet, male	1	
24	AP8144616	Rivet, female	1	

Group	Body
Code	02.150
Description	Rear mudguard
Service	1



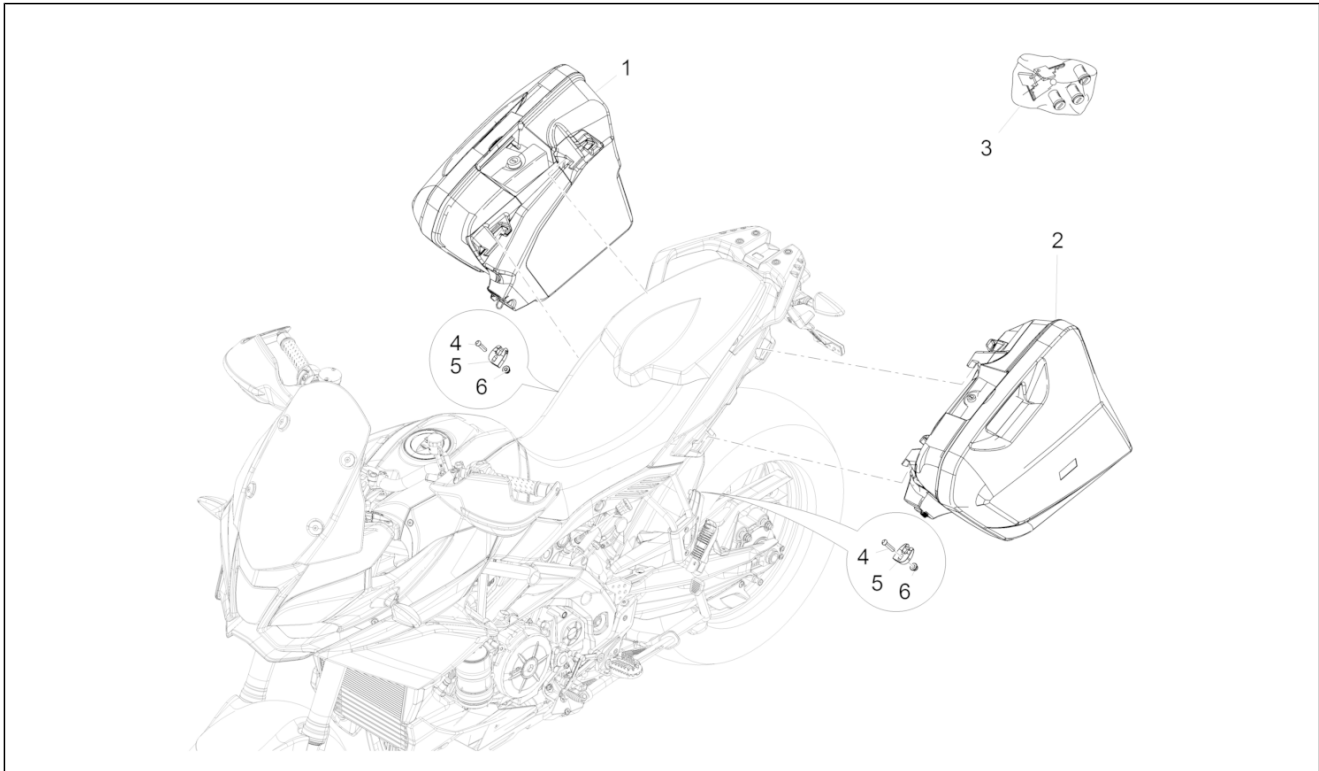
Pos.	Code	Description	Qty	Variants
1	B045034	Rear mudguard	1	
2	641652	Spring	1	
3	AP8150500	Hex socket screw M5x9	3	
4	B045611	Low rear mudguard	1	
5	AP8152278	Screw w/ flange M6x16	6	
6	AP8121032	Bush	6	
7	2B000247	Mudguard support SX	1	
8	2B000248	Mudguard support DX	1	
9	248419	Spring plate m5	2	

Group	Body
Code	02.160
Description	Luggage rack
Service	1



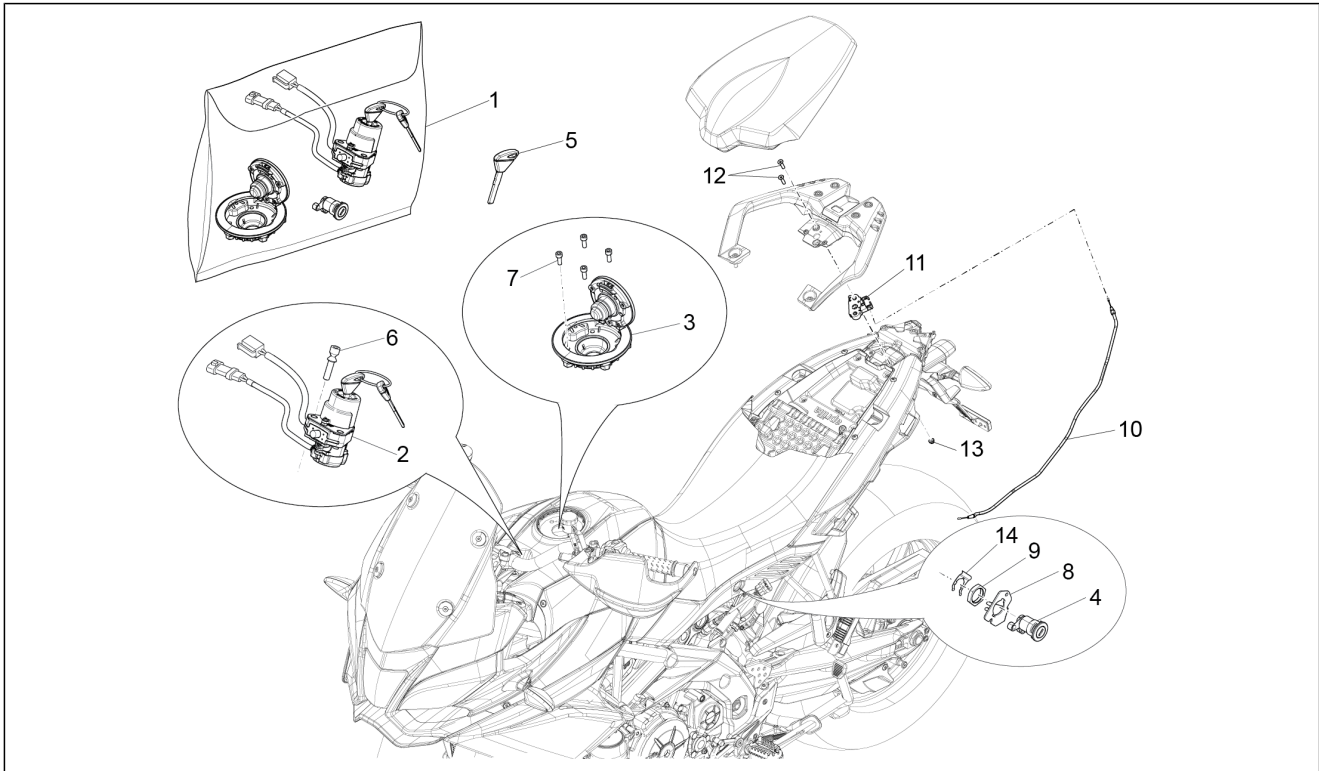
Pos.	Code	Description	Qty	Variants
1	B044852	Luggage rack base	1	
2	AP8150413	Self-tap screw 3,9x14	2	
3	B044853	Luggage rack	1	
4	B044854	Luggage rack cover	1	
5	2B000102	Bush	1	
6	B045761	Bush	2	
7	B045762	Bush	4	
8	B045763	Bush	2	
9	GU98692420	Hex socket screw M8x20	2	
10	AP8150520	Hex socket screw M8x25	3	
11	GU98690445	screw	2	
12	AP8150509	Self-tap screw 5x14	5	
13	AP8121510	Bush	2	

Group	Body
Code	02.165
Description	Suitcases
Service	1



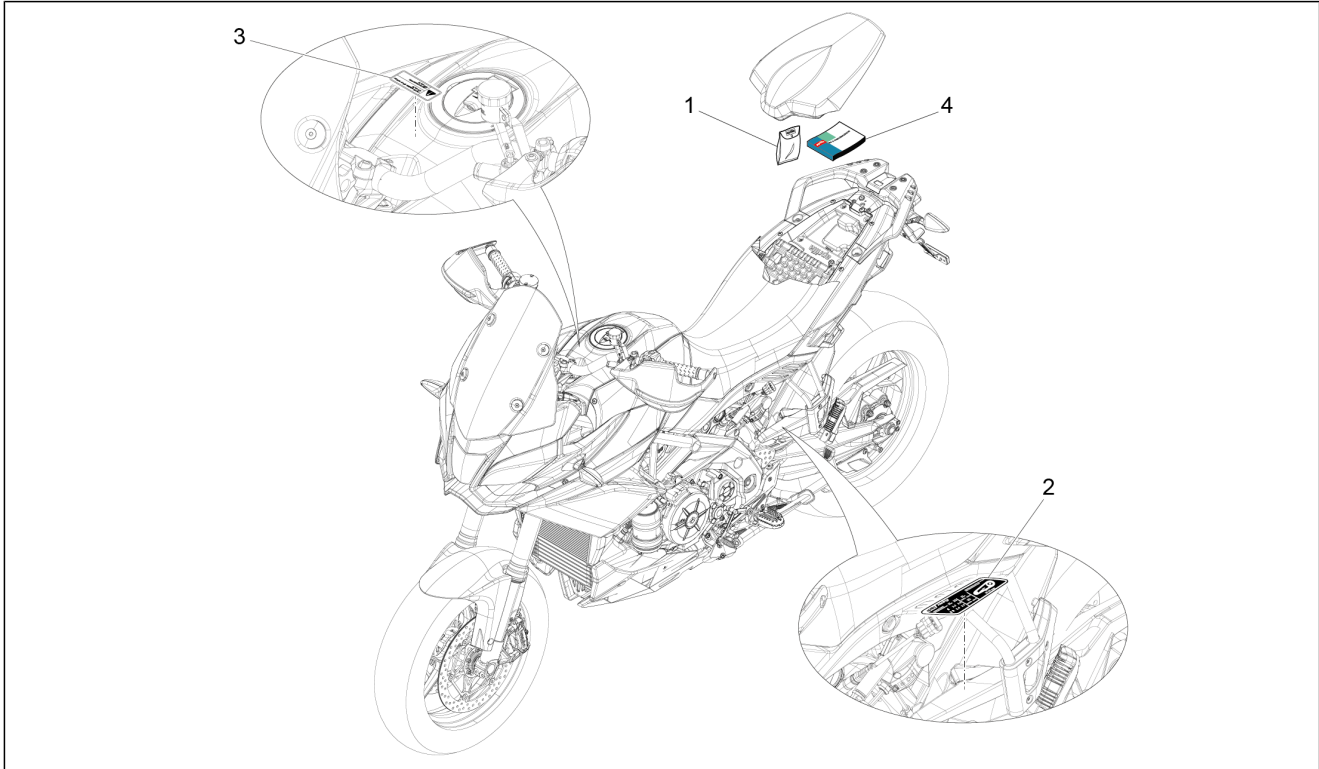
Pos.	Code	Description	Qty	Variants
1	2B000061000BM	RH suitcase bianco	1	Vehicle colour:
1	2B000061000XRC	Formula red painted right lateral suitcase	1	Vehicle colour:
1	2B000061000YE5	RH suitcase grigio	1	Vehicle colour:
2	2B000062000BM	LH suitcase bianco	1	Vehicle colour:
2	2B000062000XRC	Formula red painted left lateral suitcase	1	Vehicle colour:
2	2B000062000YE5	LH suitcase grigio	1	Vehicle colour:
3	2D000025	Locking cylinder bags with keys	1	
4	AP8150351	Shear rivet M8x40	2	
5	AP9008492	Bag holder hook	2	
6	AP8152300	Self-locking nut M8	2	

Group	Body
Code	02.170
Description	Locks
Service	1



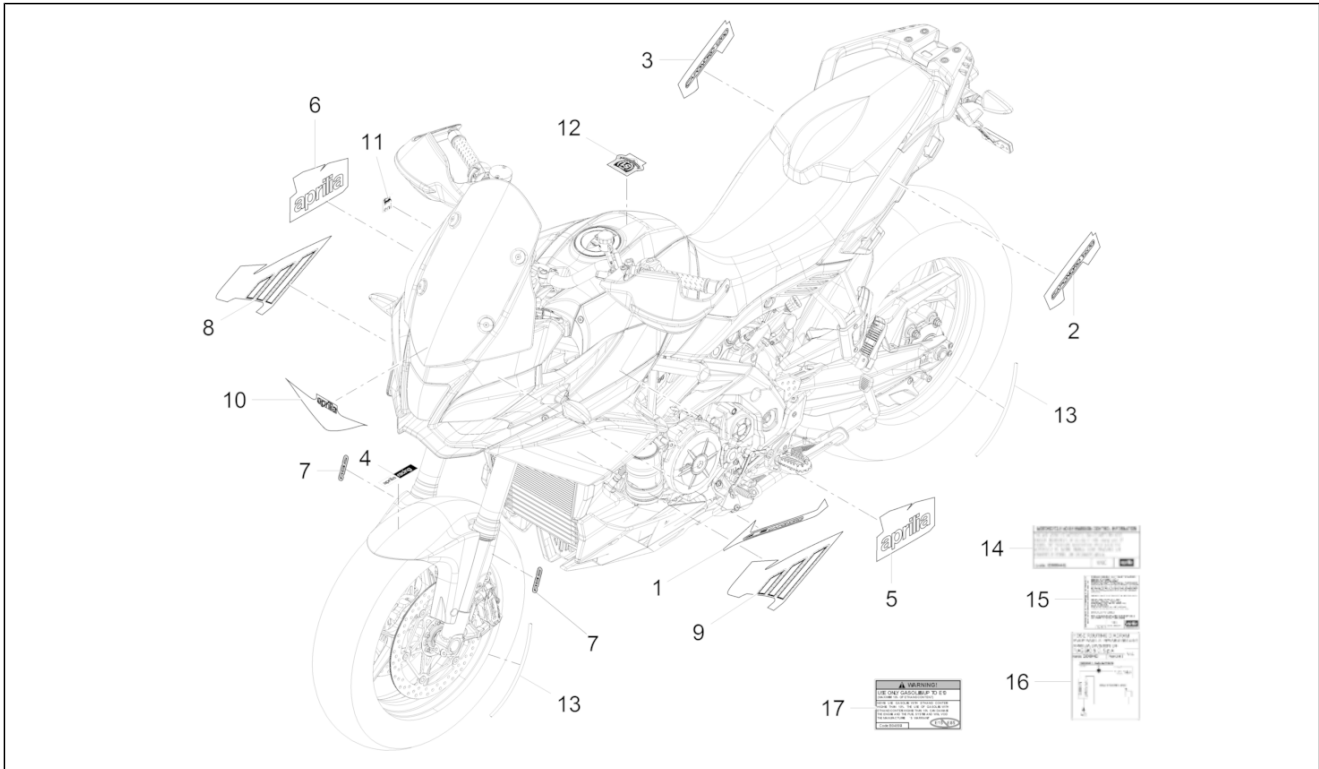
Pos.	Code	Description	Qty	Variants
1	B045069	Lock kit	1	
2	B045845	Main switch - steering lock	1	
3	2D000012	Fuel filler cap	1	
4	2D000013	Saddle lock	1	
5	AP8140711	"Aprilia" key with transpo.	1	
6	AP8152238	Shear rivet M8x28	2	
7	B043864	Hex socket screw M5x14	4	
8	AP8134948	Plate	1	
9	AP8102523	Lock nut M22x1,5	1	
10	2B000117	Saddle release cable	1	
11	AP8102913	Pass.saddle connecting plate	1	
12	B016797	Screw M6x16	2	
13	AP8152299	Self-locking nut M6	2	
14	AP8121420	Fork spring	1	

Group	Body
Code	02.180
Description	Plate set / Various
Service	1



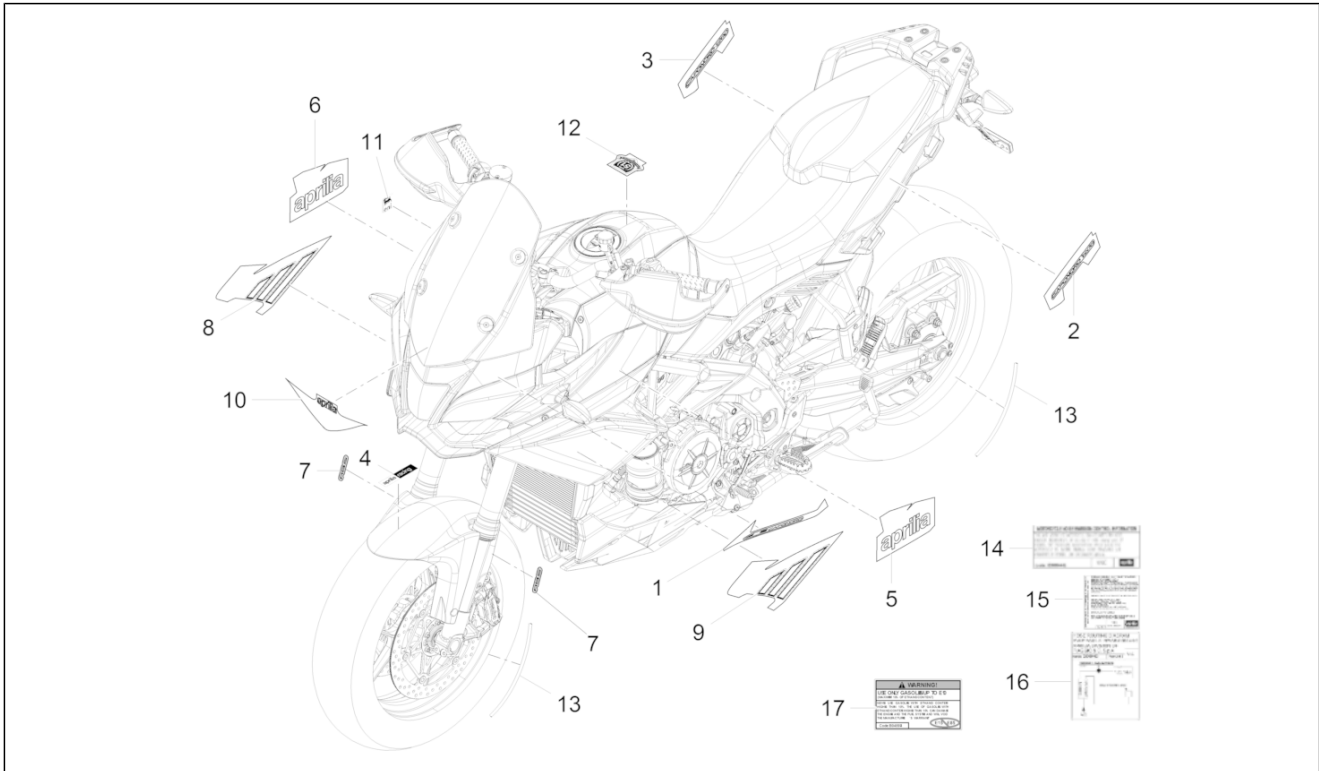
Pos.	Code	Description	Qty	Variants
1	2B000302	Chain decal	1	
2	890198	Tyre pressure decal	1	
3	AP8267147	Fuel attention decal	1	
4	2Q000003	***HANDBOOK (I-D-F-E)	1	
4	2Q000004	***HANDBOOK (EN-NL-GR-DA-FI-FR)	1	

Group	Body
Code	02.190
Description	Decal
Service	1



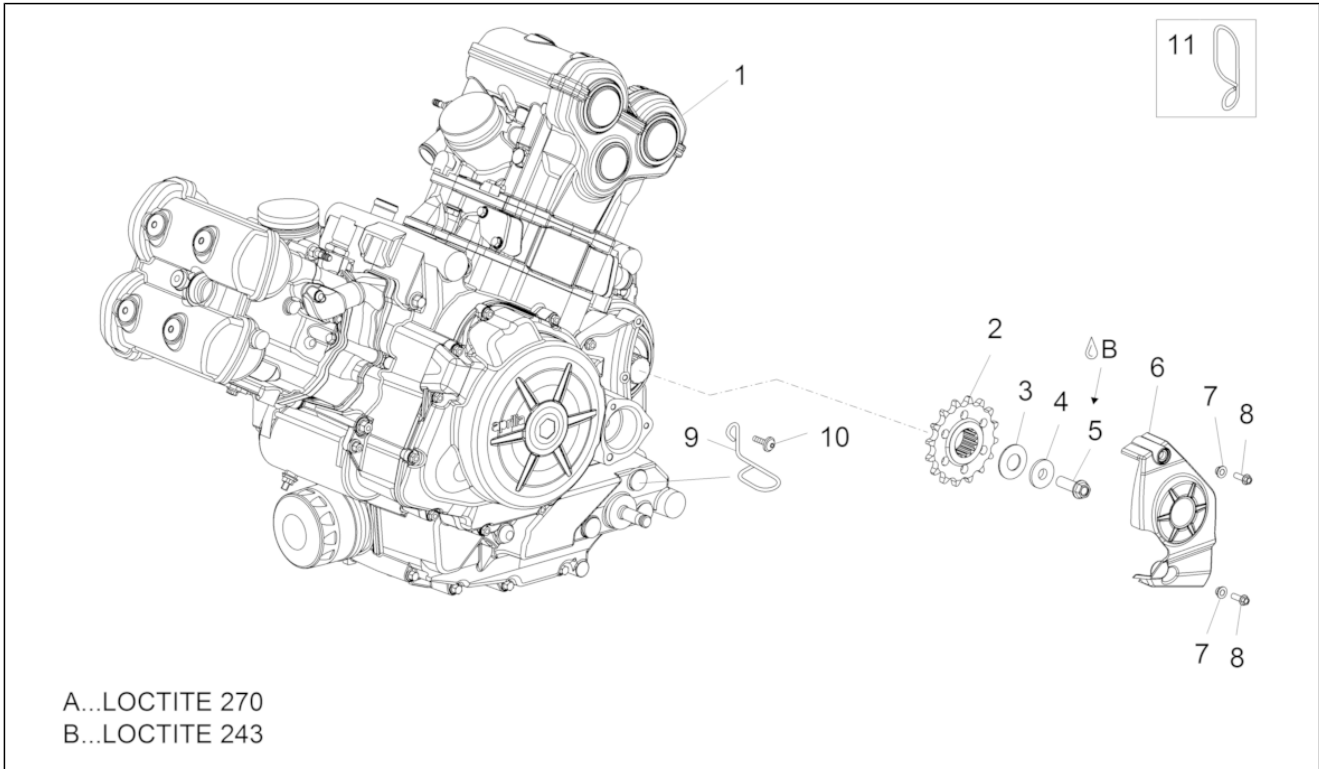
Pos.	Code	Description	Qty	Variants
1	2L000022	Left front spoiler decal	1	
2	2H000056	LH rear fairing decal "caponord"	1	Vehicle colour:
2	2H000098	LH rear fairing decal "caponord"	1	Vehicle colour:
2	2H000119	LH rear fairing decal "caponord"	1	Vehicle colour:
3	2H000055	RH rear fairing decal "caponord"	1	Vehicle colour:
3	2H000097	RH rear fairing decal "caponord"	1	Vehicle colour:
3	2H000118	RH rear fairing decal "caponord"	1	Vehicle colour:
4	B045183	Front mudguard decal Aprilia Racing	1	
5	2H000052	LH side panel decal	1	Vehicle colour:
5	2H000094	LH side panel decal "aprilia"	1	Vehicle colour:
5	2H000115	LH side panel decal "aprilia"	1	Vehicle colour:
6	2H000051	RH side panel decal	1	Vehicle colour:
6	2H000093	RH side panel decal "aprilia"	1	Vehicle colour:
6	2H000114	RH side panel decal "aprilia"	1	Vehicle colour:
7	893102	Front mudguard decal ABS	2	
8	2H000053	Right front side cover decal	1	Vehicle colour:
8	2H000095	Right front side cover decal	1	Vehicle colour:
8	2H000116	Right front side cover decal	1	Vehicle colour:
9	2H000054	Left front side cover decal	1	Vehicle colour:
9	2H000096	Left front side cover decal	1	Vehicle colour:
9	2H000117	Left front side cover decal	1	Vehicle colour:
10	2L000005	Windscreen decal	1	
11	895839	""Eni"" label"	2	
12	2B000051	Decal 51 world championships	1	
13	2H000126	Decalco cerchio	1	
14	2B000440	Noise emission sticker	1	
15	2B000441	Emission control sticker	1	
16	2B000442	Carbon filter sticker	1	

Group	Body
Code	02.190
Description	Decal
Service	1



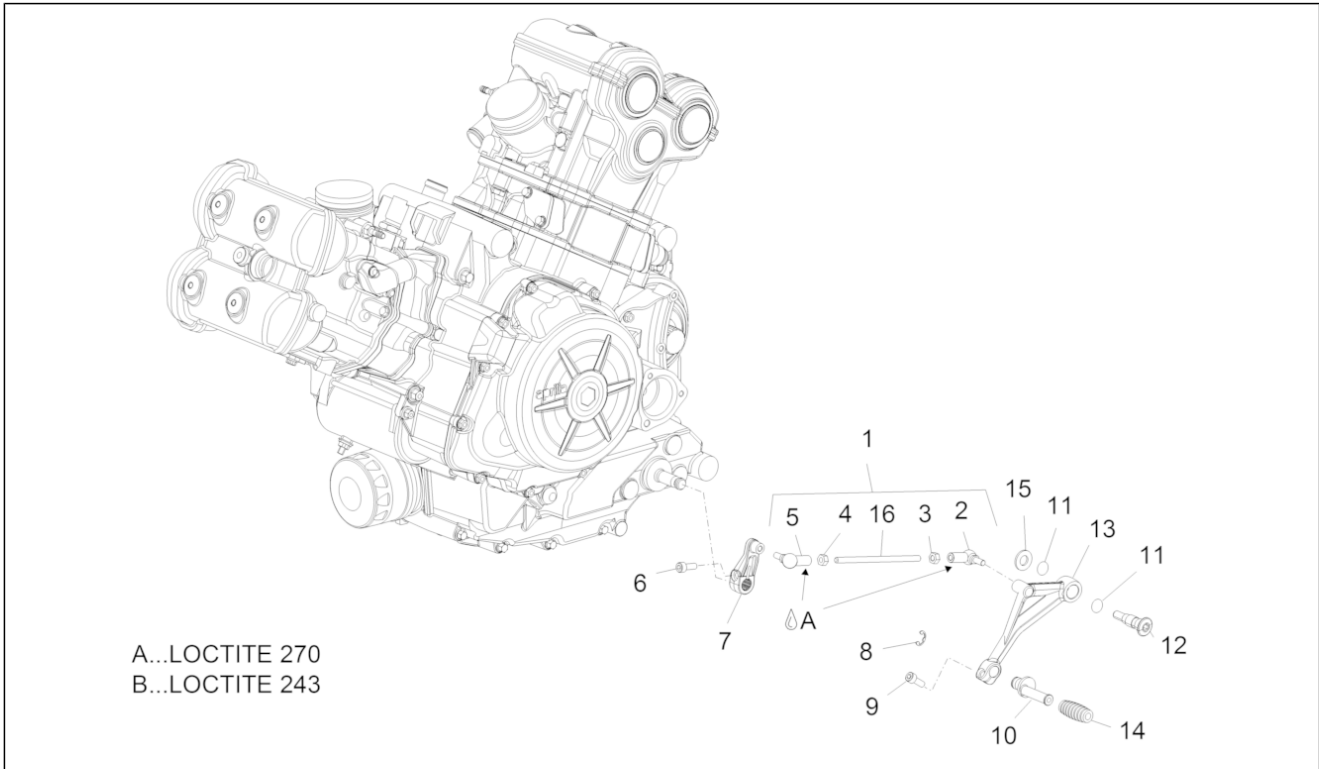
Pos.	Code	Description	Qty	Variants
17	2B000439	Tyre pressure decal	1	

Group	Engine
Code	03.010
Description	Engine-Completing part-Lever
Service	1



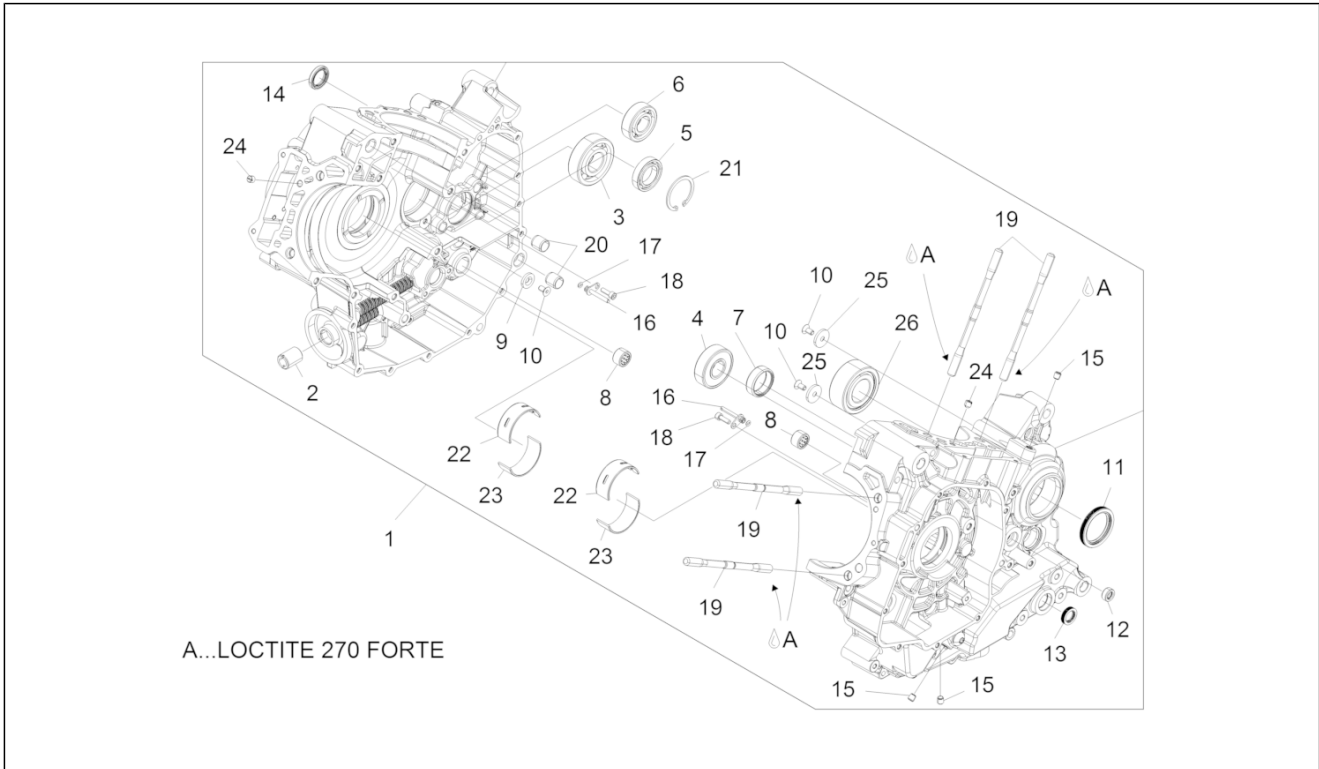
Pos.	Code	Description	Qty	Variants
1	CM1607045	***ENG.1200 4S/8V 6M E3 CAPONORD USA X S.P.	1	
2	2B000220	Pinion Z=17	1	
3	854909	Belleville spring	1	
4	854951	T bush	1	
5	B043047	Screw w/ flange M10x25	1	
6	856069	Sprocket cover	1	
7	AP8121811	T bush	2	
8	AP8152277	Screw w/ flange M6x12	2	
9	AP8152055	Hex socket screw M8x12	1	
10	AP8221114	Cable-guide	1	
11	AP8121889	Cable-guide	2	

Group	Engine
Code	03.020
Description	Gear lever
Service	1



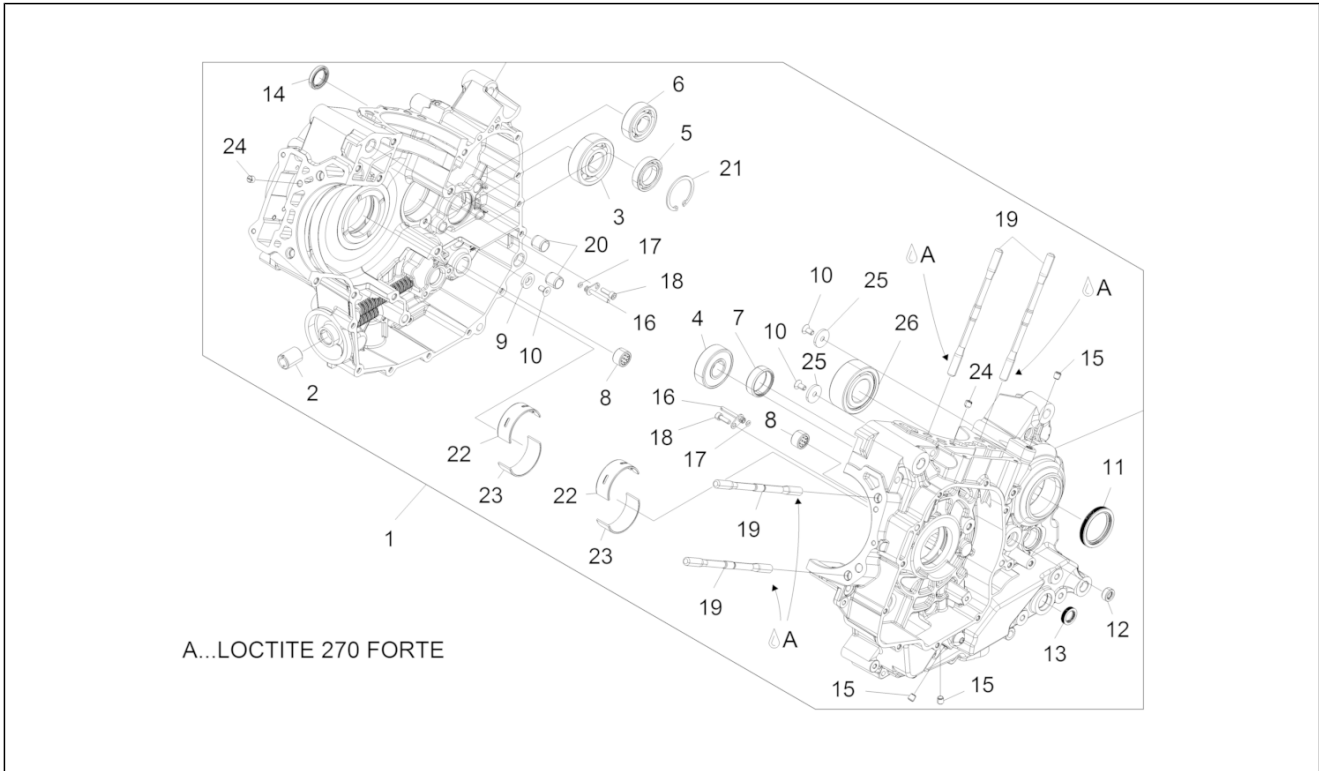
Pos.	Code	Description	Qty	Variants
1	B046223	Grip shift	1	
2	AP8210007	RH ball joint M6	1	
3	AP8152138	Nut	1	
4	AP8150026	Nut M6	1	
5	AP8110053	Left ball joint M6	1	
6	AP8150137	Hex socket screw	1	
7	852480	Gear lever	1	
8	AP8150462	Circlip d9	1	
9	AP8150137	Hex socket screw	2	
10	AP8121221	Brake lever pin	1	
11	AP8144007	O-ring 11,11x1,78	2	
12	2B000087	Rear brake lever pin	1	
13	B044763	Complete gearchange lever	1	
14	AP8120912	Lever rubber	1	
15	002383	Washer	1	
16	B046222	Gear control tie rod	1	

Group	Engine
Code	03.030
Description	Crankcases I
Service	1



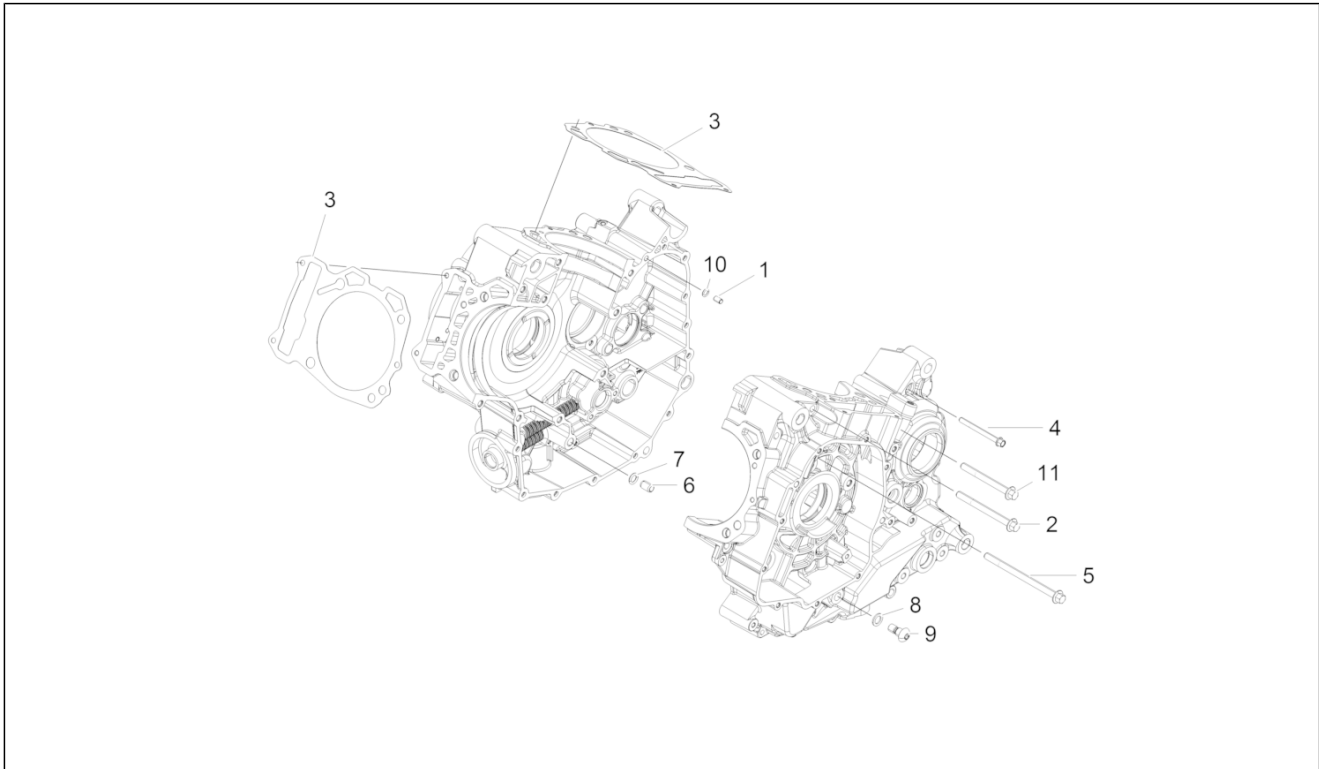
Pos.	Code	Description	Qty	Variants
1	1A0005391A	Crankcase assembly 1A	1	
1	1A0005391B	Crankcase assembly 1B	0	
1	1A0005392A	Crankcase assembly 2A	0	
1	1A0005392B	Crankcase assembly 2B	0	
2	829122	Oil filter union	1	
3	875936	Ball bearing 25x62x17	1	
4	875838	Ball bearing 20X52X15	1	
5	872033	Ball bearing 25x42x9	1	
6	848650	Ball bearing 20x47x14	1	
7	974129	Cage à rouleaux 30x37x12	1	
8	122671	Cage à rouleaux	2	
9	873905	Washer	1	
10	B013608	Screw	3	
11	848474	Gasket ring	1	
12	825577	Gasket ring 8x16x7	1	
13	974112	Gasket ring 14x22x5	1	
14	82897R	Gasket ring 20x30x5	1	
15	876748	Plug	3	
16	878567	Jet	2	
17	487073	Gasket ring	2	
18	B013349	Screw	2	
19	877281	Stud bolt M10X1.25X166	8	
20	974051	Locating dowel (D.15,8)	2	
21	006642	Circlip	1	
22	8783940001	Bushing,red cat A	2	
22	8783940002	Bushing,blue cat B	2	
22	8783940003	Bushing,yellow cat C	2	
22	8783940004	Bushing, green cat D	2	

Group	Engine
Code	03.030
Description	Crankcases I
Service	1



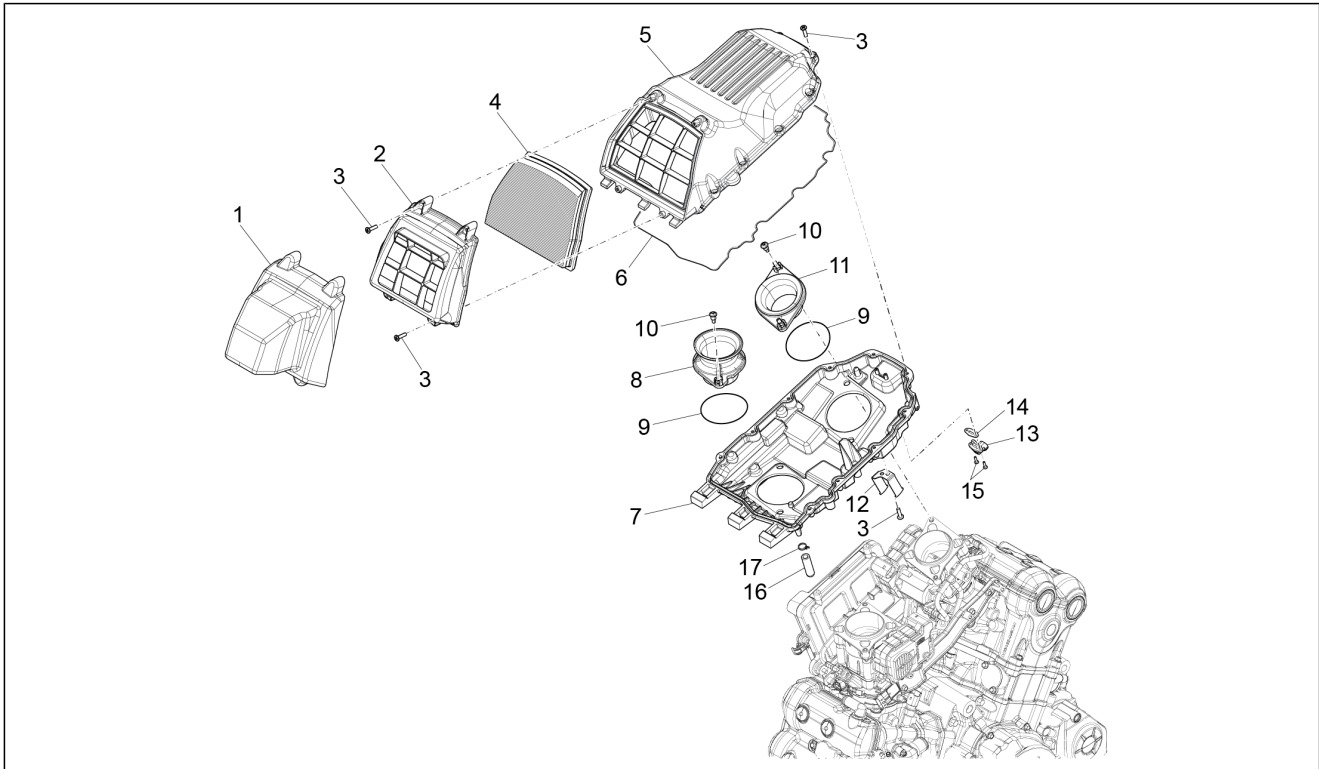
Pos.	Code	Description	Qty	Variants
23	8793650001	Bushing,red	2	
23	8793650002	Bushing,blue	2	
23	8793650003	Bushing,yellow	2	
23	8793650004	Bushing, green	2	
24	876320	Calibrated dowel 1.8	2	
25	873928	Washer	2	
26	875935	Radial ball bearing	1	

Group	Engine
Code	03.040
Description	Crankcases I
Service	1



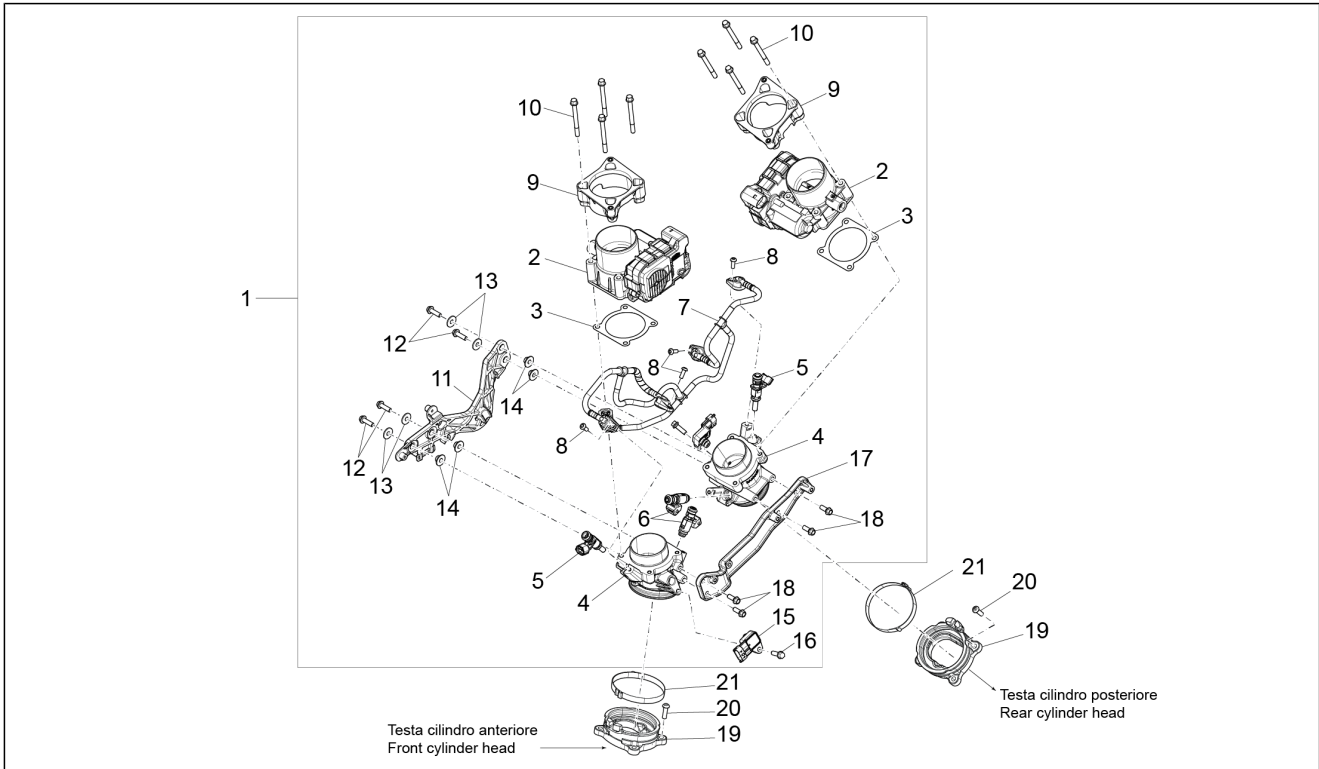
Pos.	Code	Description	Qty	Variants
1	874598	Locating dowel D6	1	
2	877814	***FLANGED HEXAGONAL HEAD SCREW	2	
3	CM159601	Cylinder base gasket 0,4	1.90	
3	CM159602	Cylinder base gasket 0,5	1.90	
3	CM159603	Cylinder base gasket 0,6	0.20	
4	874548	Screw w/ flange M6x65	11	
5	872182	Hex screw M8x120	1	
6	239388	Pin 6,5x9,5x15	1	
7	878434	O-ring	1	
8	969973	Washer	1	
9	B013063	Special screw	1	
10	224035	O-ring	1	
11	874546	Hex screw M8X80	6	

Group	Engine
Code	03.050
Description	Air box
Service	1



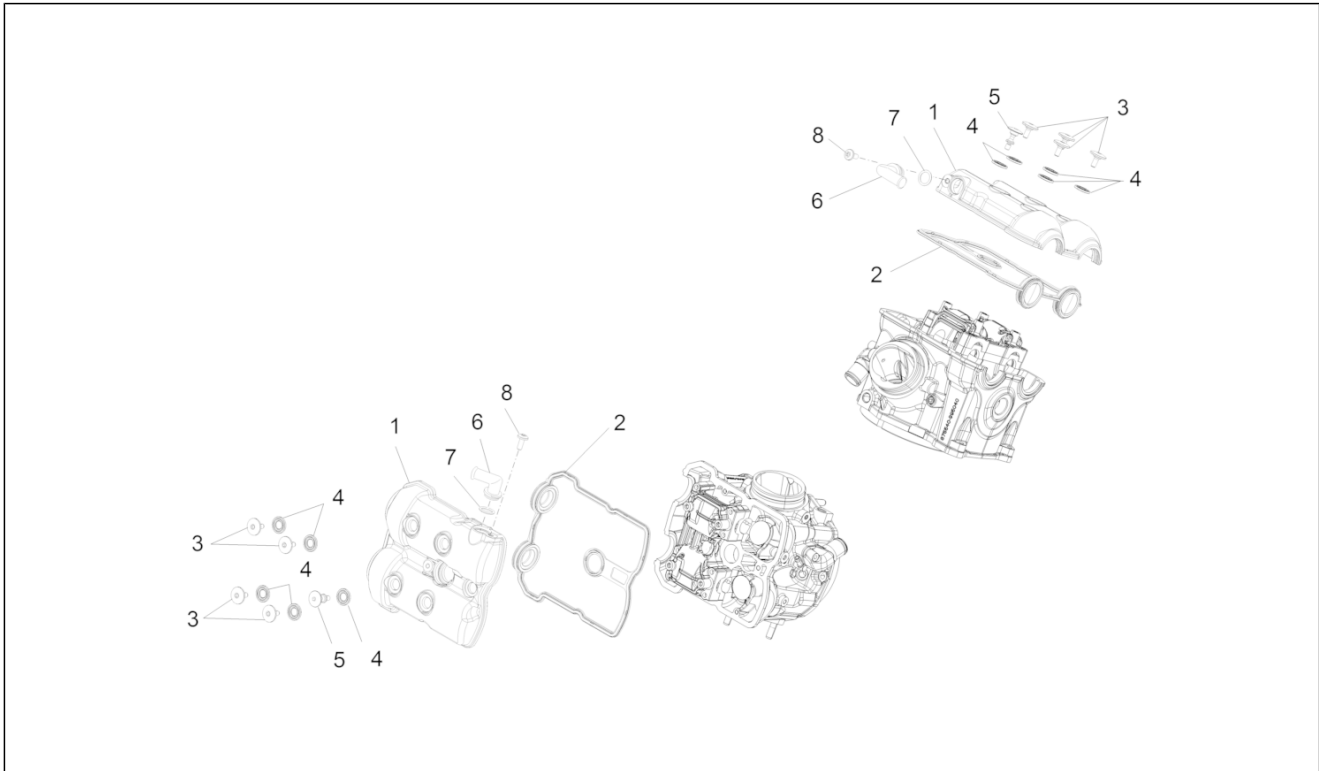
Pos.	Code	Description	Qty	Variants
1	2B000186	Intake protection	1	
2	B045827	Air filter cover	1	
3	AP8152329	Phillips screw, SWP M5x20	15	
4	896237	Filtering element	1	
5	896236	Filter housing cover	1	
6	AP8120615	Gasket D3	1	
7	B046153	Filter housing base	1	
8	B046197	Intake duct	1	
9	880689	O-ring	2	
10	893132	screw	4	
11	2A000045	Intake duct H.13	1	
12	2B000125	Tank support bracket SX	1	
13	GU30729330	Air temp. Sensor	1	
14	GU30027931	Gasket	1	
15	AP8150421	Self-tap screw 2,9x12	2	
16	AP8161054	Cap	1	
17	AP8102520	Hose clamp	1	

Group	Engine
Code	03.060
Description	Throttle body
Service	1



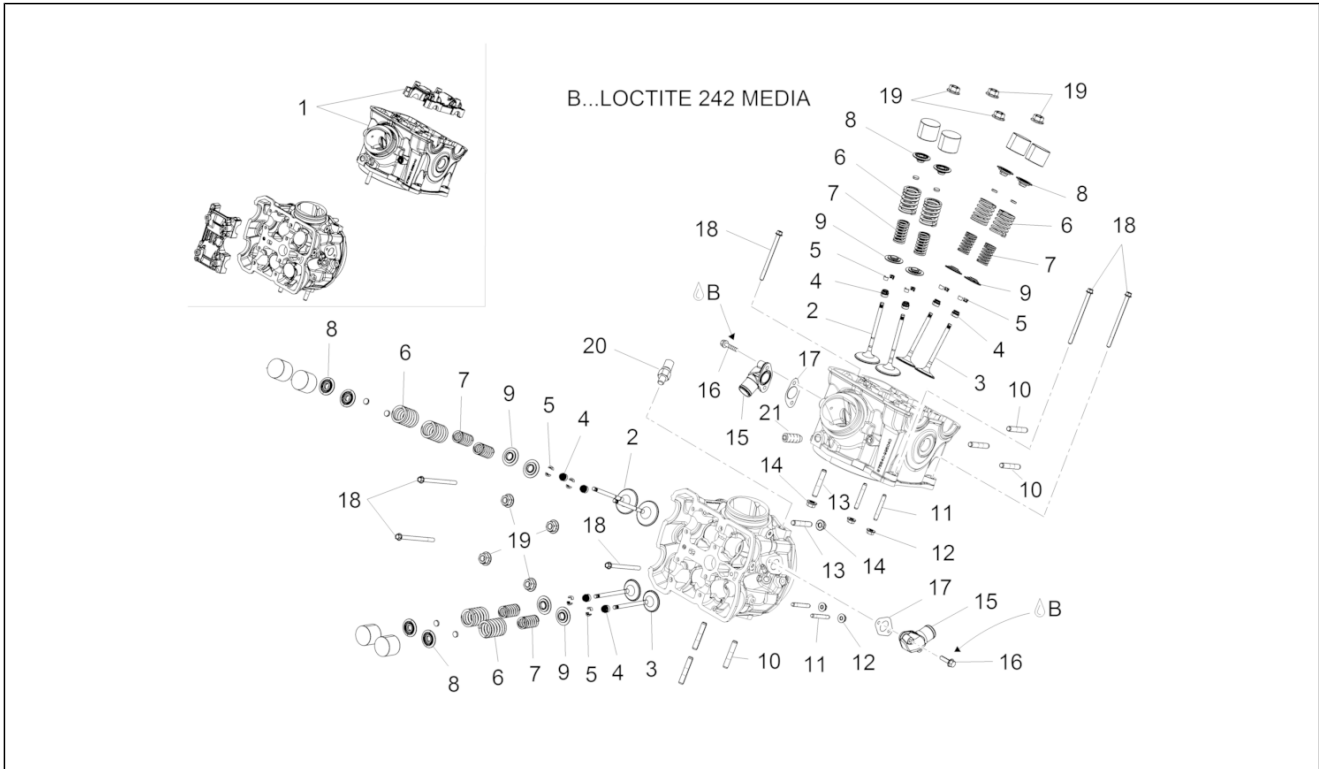
Pos.	Code	Description	Qty	Variants
1	2B000633	Throttle body cpl.	1	
2	872230	Throttle body	2	
3	872264	Gasket	2	
4	2A000021	Union	2	
5	2A000042	Injector kit complete	2	
6	CM074706	Injector kit complete	2	
7	2B000457	Pipe	1	
8	B016455	Hex socket screw M5x14	4	
9	B046196	Air box support	2	
10	828909	Screw w/ flange M6x65	8	
11	2B000136	Support bracket	1	
12	AP8152279	Screw w/ flange M6x20	4	
13	AP8150015	Washer 6,6x18x1,6*	4	
14	AP8121728	T bush *	4	
15	642302	Air pressure sensor	2	
16	018639	Hex screw M6x20	2	
17	876631	Support bracket	1	
18	874555	screw	4	
19	B013438	Intake fittings support	2	
20	834038	Hex socket screw	2	
21	B013505	Hose clip R96	2	

Group	Engine
Code	03.090
Description	Head cover
Service	1



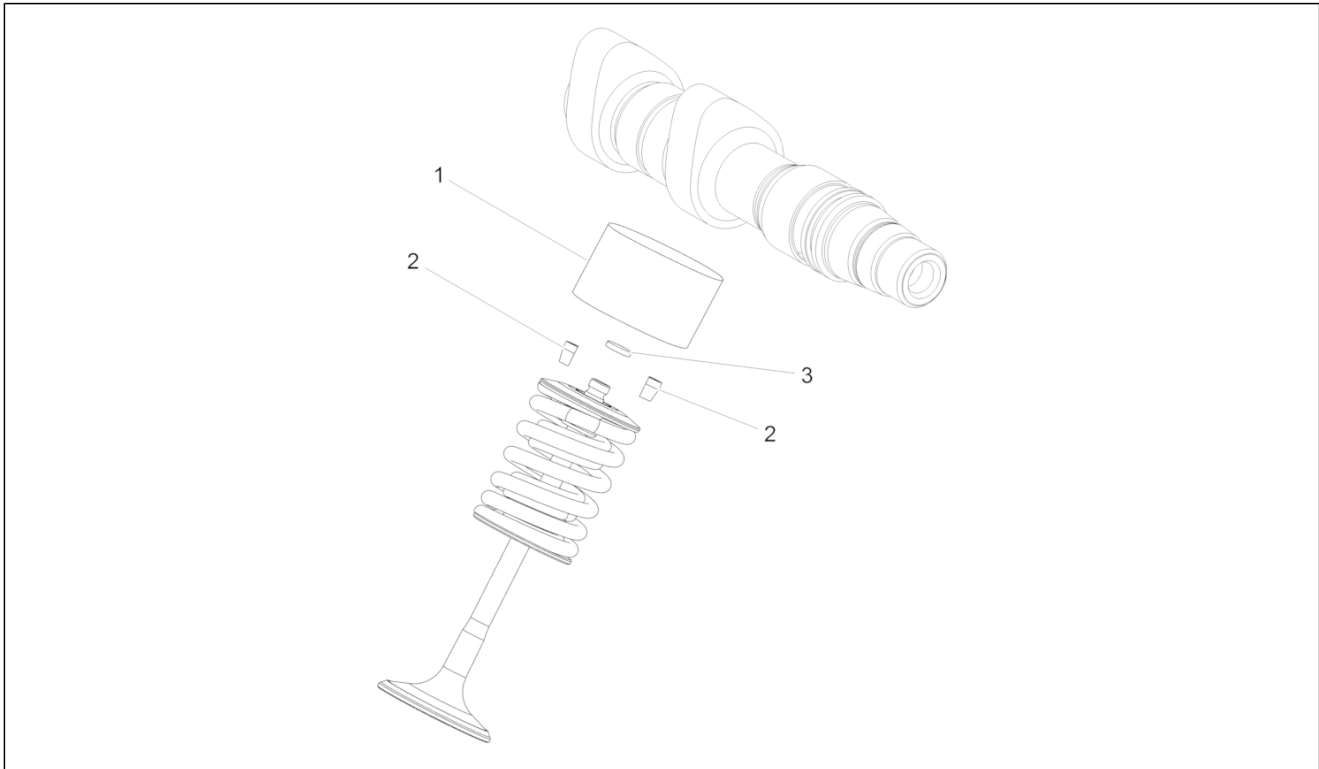
Pos.	Code	Description	Qty	Variants
1	879883	Head cover	1	
2	879532	Head cover gasket	1	
3	842291	Special screw	4	
4	830249	Damper drift	5	
5	880734	Special screw	1	
6	879855	Oil breather union	1	
7	879948	O-ring	1	
8	CM179301	Screw M6x16	1	

Group	Engine
Code	03.100
Description	Cylinder head - valves
Service	1



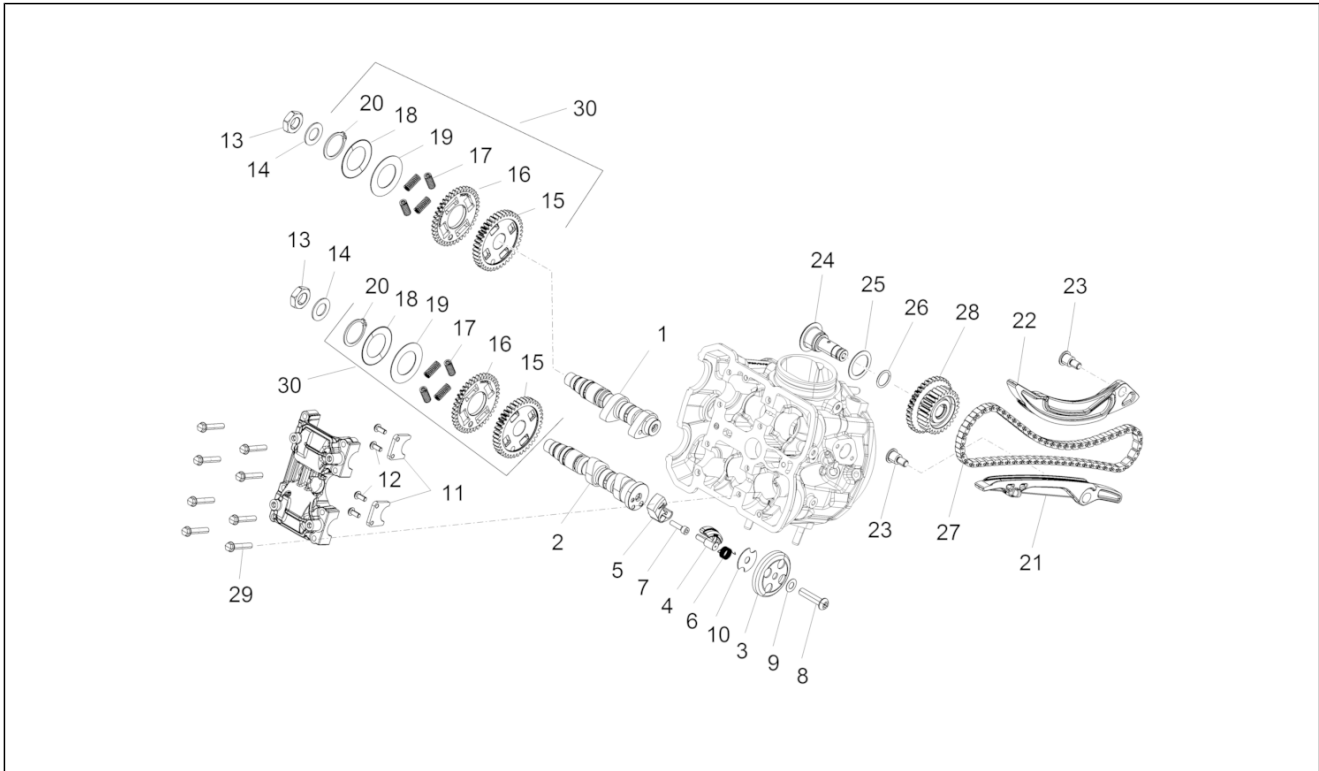
Pos.	Code	Description	Qty	Variants
1	B0149334	Cylinder head	2	
2	879858	Intake valve	4	
3	879127	Exhaust valve	4	
4	871642	Valve gasket ring	8	
5	871640	Half-cone	16	
6	878808	Ext. valve spring	8	
7	878809	Int. valve spring	8	
8	878806	Upper cap	8	
9	878807	Lower cap	8	
10	484706	Stud bolt	6	
11	872807	Stud bolt	4	
12	874558	Flanged nut	4	
13	B017636	Exhaust pipe stud bolt	2	
14	874557	Flanged nut M8x1,25	2	
15	B013744	Water outlet union	1	
16	855799	Screw w/ flange	2	
17	878705	Gasket	1	
18	874746	Screw w/ flange M6x90	6	
19	825694	Nut M10x1,25	8	
20	640485	Temperature gauge	1	
21	411311	Plug	1	

Group	Engine
Code	03.110
Description	Pad
Service	1



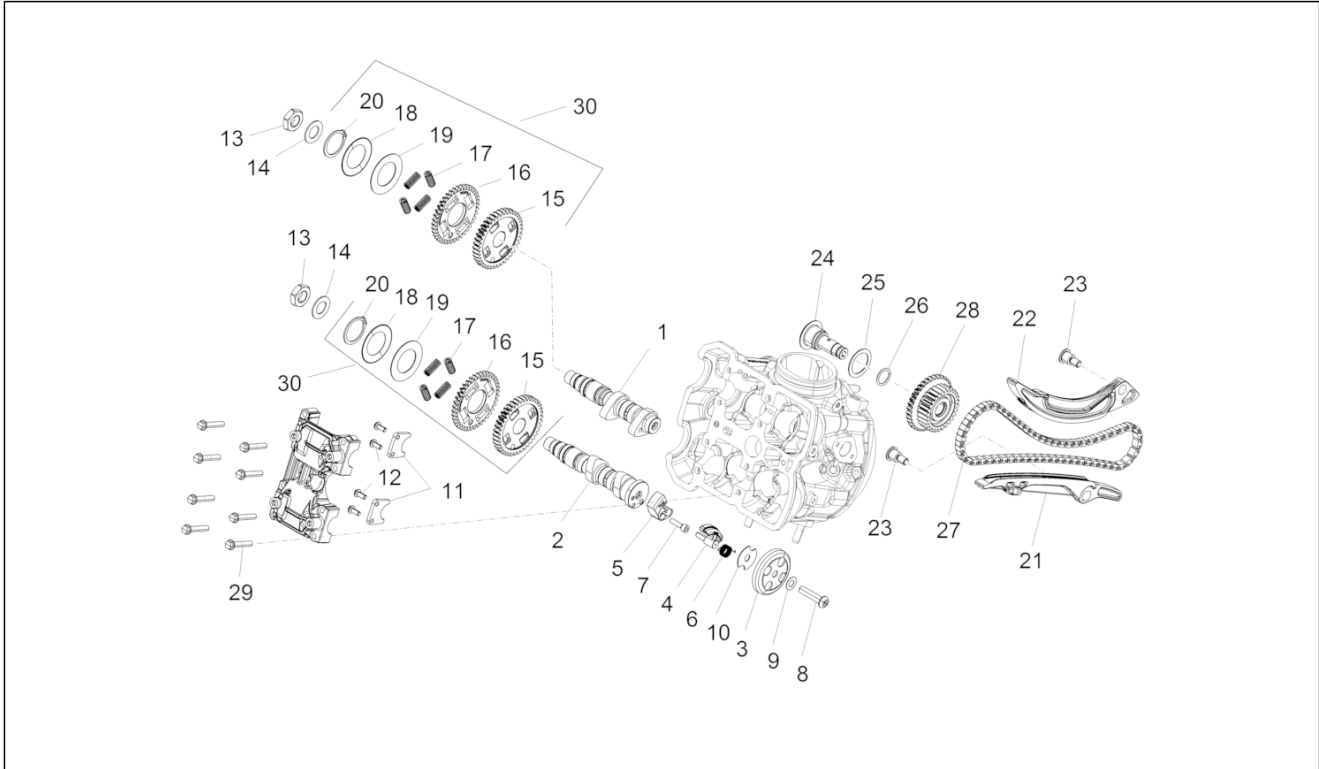
Pos.	Code	Description	Qty	Variants
1	873131	Valve lifter bucket	4	
2	871640	Half-cone	16	
3	CM157201	Calibrated tablet 2.60	1	
3	CM157202	Calibrated tablet 2.65	1	
3	CM157203	Calibrated tablet 2.70	1	
3	CM157204	Calibrated tablet 2.75	1	
3	CM157205	Calibrated tablet 2.80	1	
3	CM157206	Calibrated tablet 2.85	1	
3	CM157207	Calibrated tablet 2.90	1	
3	CM157208	Calibrated tablet 2.95	1	
3	CM157209	Calibrated tablet 3.00	1	
3	CM157210	Calibrated tablet 3.05	1	
3	CM157211	Calibrated tablet 3.10	1	
3	CM157212	Calibrated tablet 3.15	1	
3	CM157213	Calibrated tablet 3.20	1	
3	CM157214	Calibrated tablet 3.25	1	
3	CM157215	Calibrated tablet 3.30	1	
3	CM157216	Calibrated tablet 3.35	1	
3	CM157217	Calibrated tablet 3.40	1	
3	CM157218	Calibrated tablet 2.55	1	
3	CM157219	Calibrated tablet 2.50	1	
3	CM157220	Calibrated tablet 2.45	1	
3	CM157221	Calibrated tablet 2.40	1	

Group	Engine
Code	03.130
Description	Front cylinder timing system
Service	1



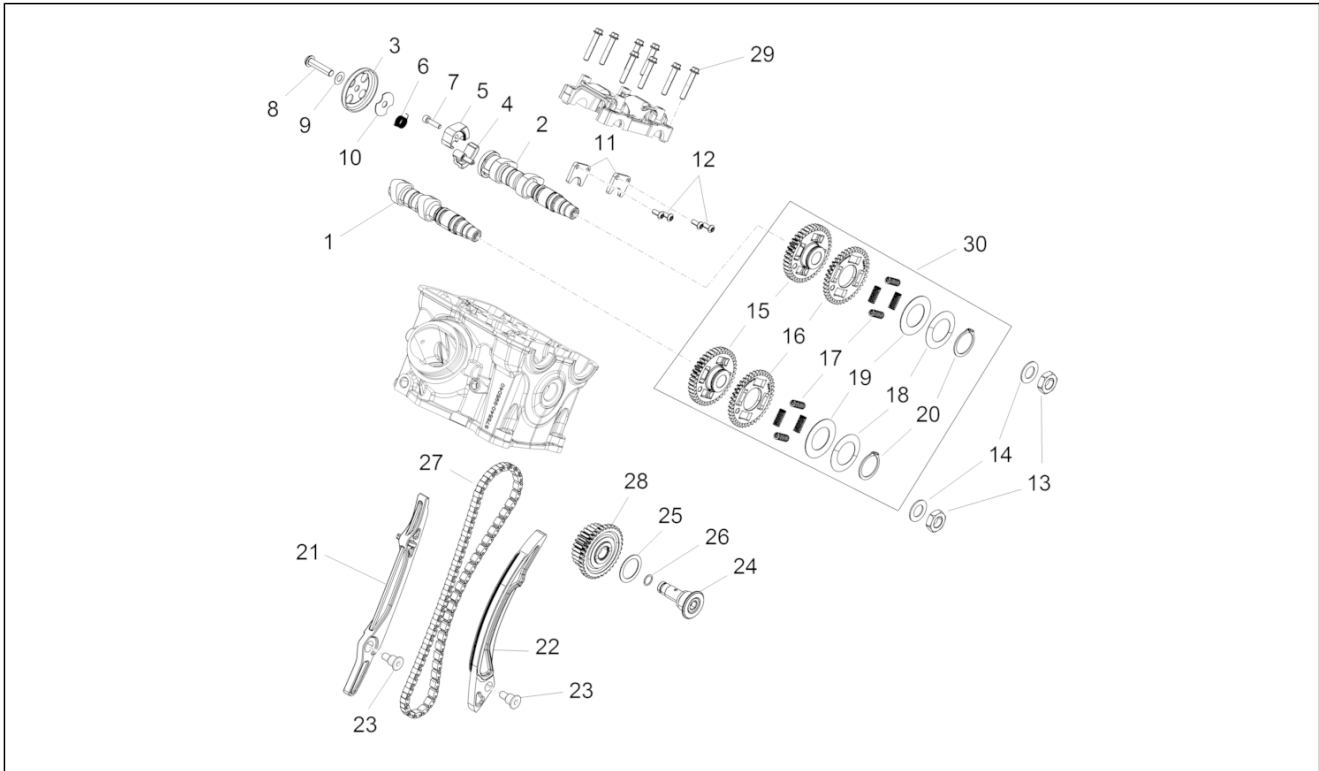
Pos.	Code	Description	Qty	Variants
1	B0135335	Intake camshaft	1	
2	B0135315	Exhaust camshaft	1	
3	876087	Decompression bell	1	
4	876113	Decompression counterweight	1	
5	B015555	Decompressor counterweight	1	
6	876171	Decompression spring	1	
7	877885	Hex socket screw	1	
8	877884	Torx convex big end screw	1	
9	287073	Shim washer	1	
10	879523	Special washer	1	
11	877829	Axial retaining element	2	
12	B014598	Torx Screw M5x12	4	
13	874751	Nut M15x1 DX	2	
14	874744	Thrust washer	2	
15	875878	Camshaft gear	2	
16	B015604	Camshaft dual gear	2	
17	849721	Spring	8	
18	849718	Belleville spring	2	
19	849720	Washer	2	
20	006429	Snap ring	2	
21	871798	Chain guide plate	2	
22	880231	Chain tensioner rod	2	
23	878868	Spacer screw M8	4	
24	874591	Special screw	2	
25	849817	Safety washer	2	
26	873233	Gasket ring	2	
27	875411	Chain 114 mesh	2	
28	8756994	Timing gear	2	

Group	Engine
Code	03.130
Description	Front cylinder timing system
Service	1



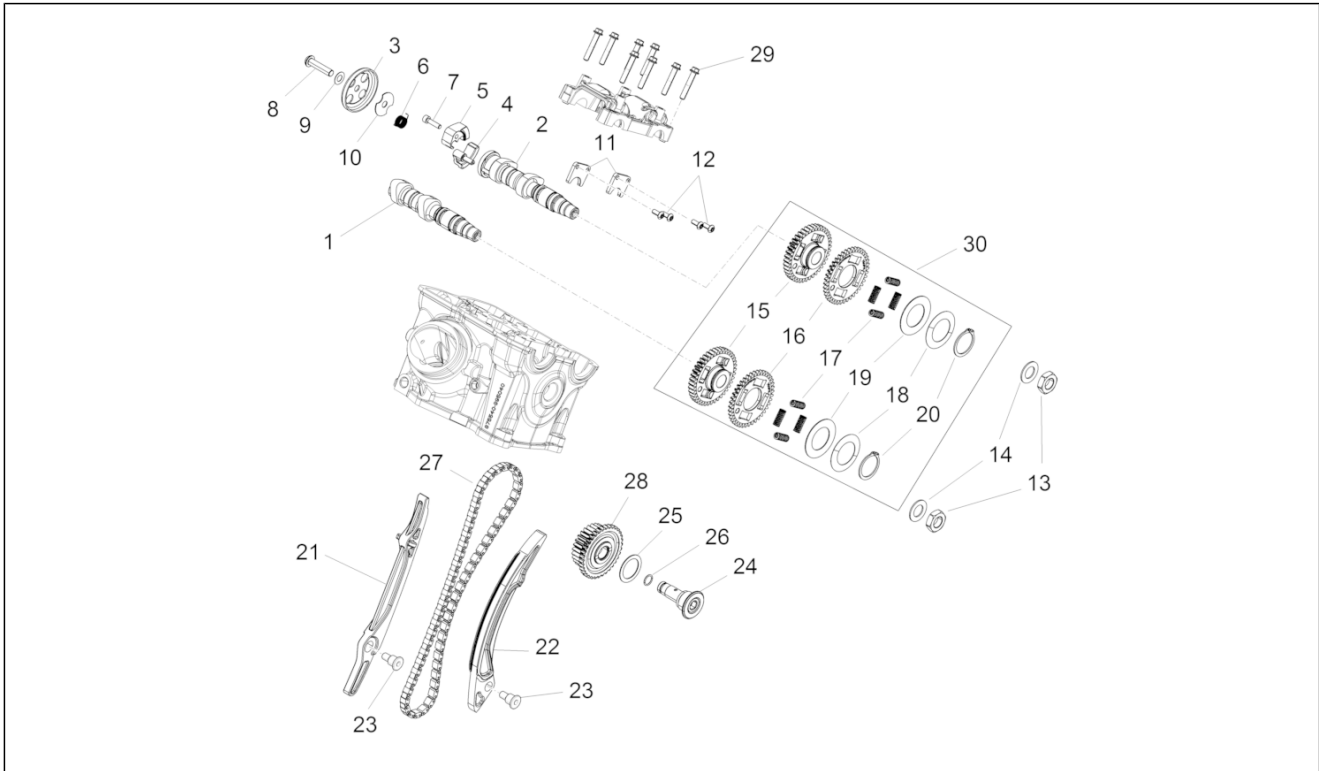
Pos.	Code	Description	Qty	Variants
29	414838	screw M6x35	16	
30	875879	Complete front camshaft axle gear	2	

Group	Engine
Code	03.140
Description	Rear cylinder timing system
Service	1



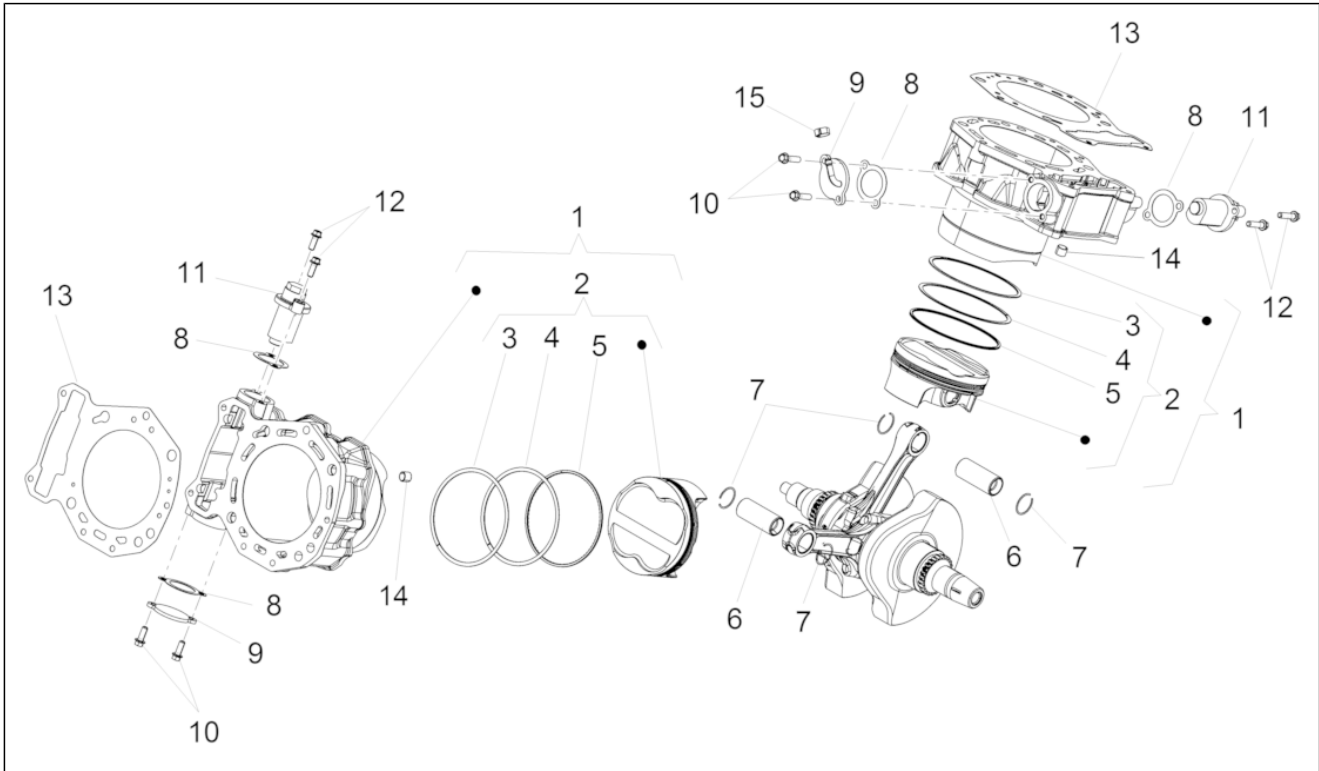
Pos.	Code	Description	Qty	Variants
1	B0135385	Intake camshaft	1	
2	B0135365	Exhaust camshaft	1	
3	876087	Decompression bell	1	
4	875373	Decompression counterweight	1	
5	B015556	Decompressor counterweight	1	
6	880064	Decompression spring	1	
7	877885	Hex socket screw	1	
8	877884	Torx convex big end screw	1	
9	287073	Shim washer	1	
10	879523	Special washer	1	
11	877829	Axial retaining element	2	
12	B014598	Torx Screw M5x12	4	
13	874752	Nut M15x1 SX	2	
14	874744	Thrust washer	2	
15	875878	Camshaft gear	2	
16	B015604	Camshaft dual gear	2	
17	849721	Spring	8	
18	849718	Belleville spring	2	
19	849720	Washer	2	
20	006429	Snap ring	2	
21	871798	Chain guide plate	2	
22	880231	Chain tensioner rod	2	
23	878868	Spacer screw M8	4	
24	874591	Special screw	2	
25	849817	Safety washer	2	
26	873233	Gasket ring	2	
27	875411	Chain 114 mesh	2	
28	8756994	Timing gear	2	

Group	Engine
Code	03.140
Description	Rear cylinder timing system
Service	1



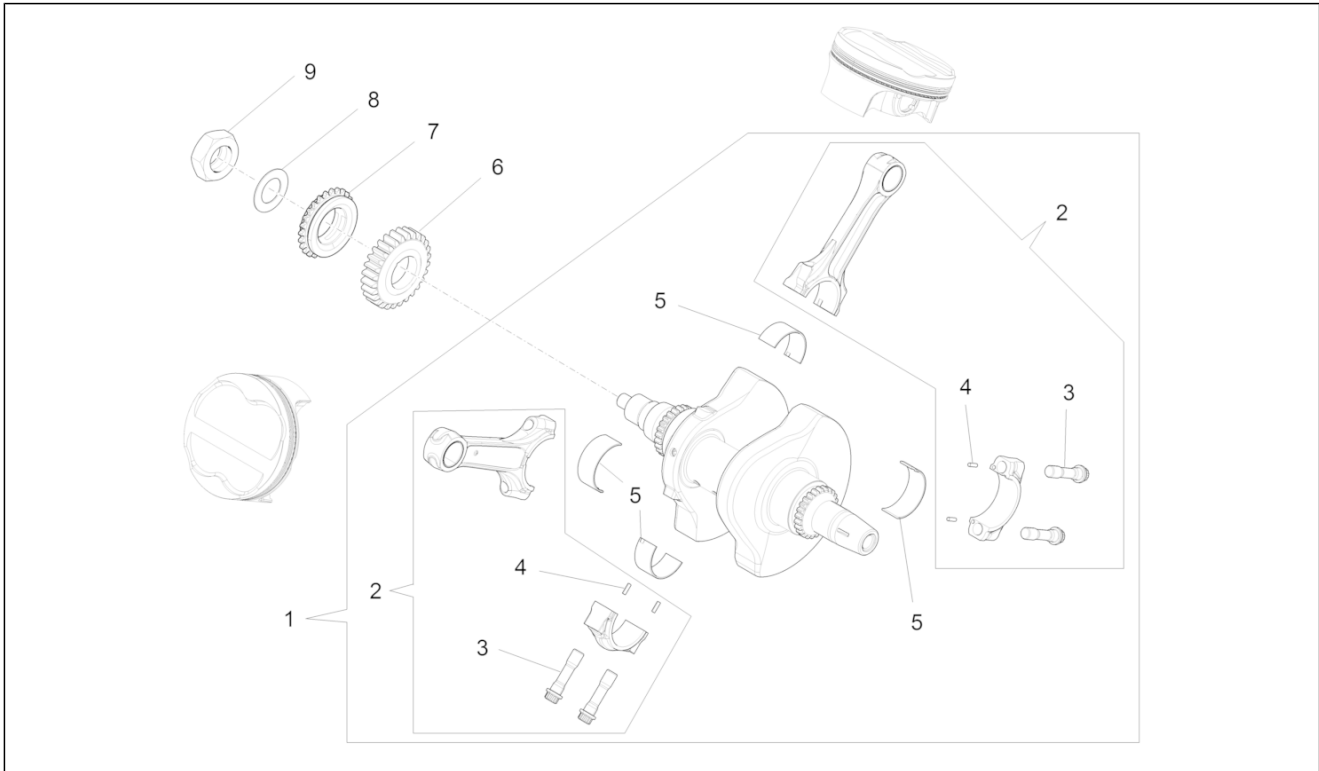
Pos.	Code	Description	Qty	Variants
29	414838	screw M6x35	16	
30	875880	Camshaft gear post.	2	

Group	Engine
Code	03.150
Description	Cylinder - Piston
Service	1



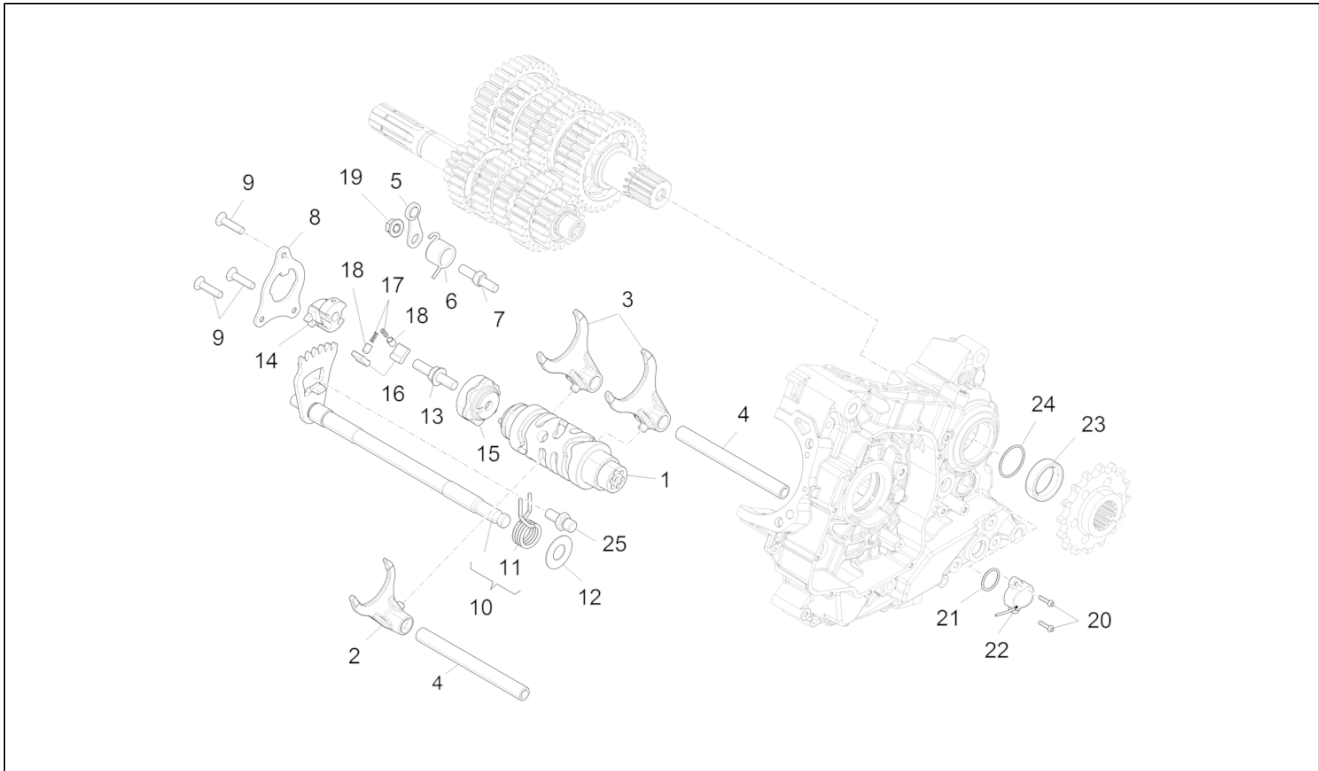
Pos.	Code	Description	Qty	Variants
1	1A000220	Cylinder, assy.	1	
2	1A0002210A	Piston assy "A"	1	
2	1A0002210B	Piston assy "B"	1	
2	1A0002210C	Piston assy "C"	1	
2	1A0002210D	Piston assy "D"	1	
3	B013265	Ring	2	
4	B013266	Oil scraper ring	2	
5	878661	Oil scraper ring	2	
6	876707	Piston pin	2	
7	874567	Stop ring	4	
8	880079	Gasket	2	
9	2A000165	Plate	2	
10	874554	Screw w/ flange M6x14	4	
11	880235	Chain tensioner bracket	2	
12	874549	Screw w/ flange	4	
13	875397	Cylinder head gasket	2	
14	825597	Pin 11,8X10	6	
15	AP8120446	Hose clip, green D11x6,6x1	3	

Group	Engine
Code	03.160
Description	Drive shaft
Service	1



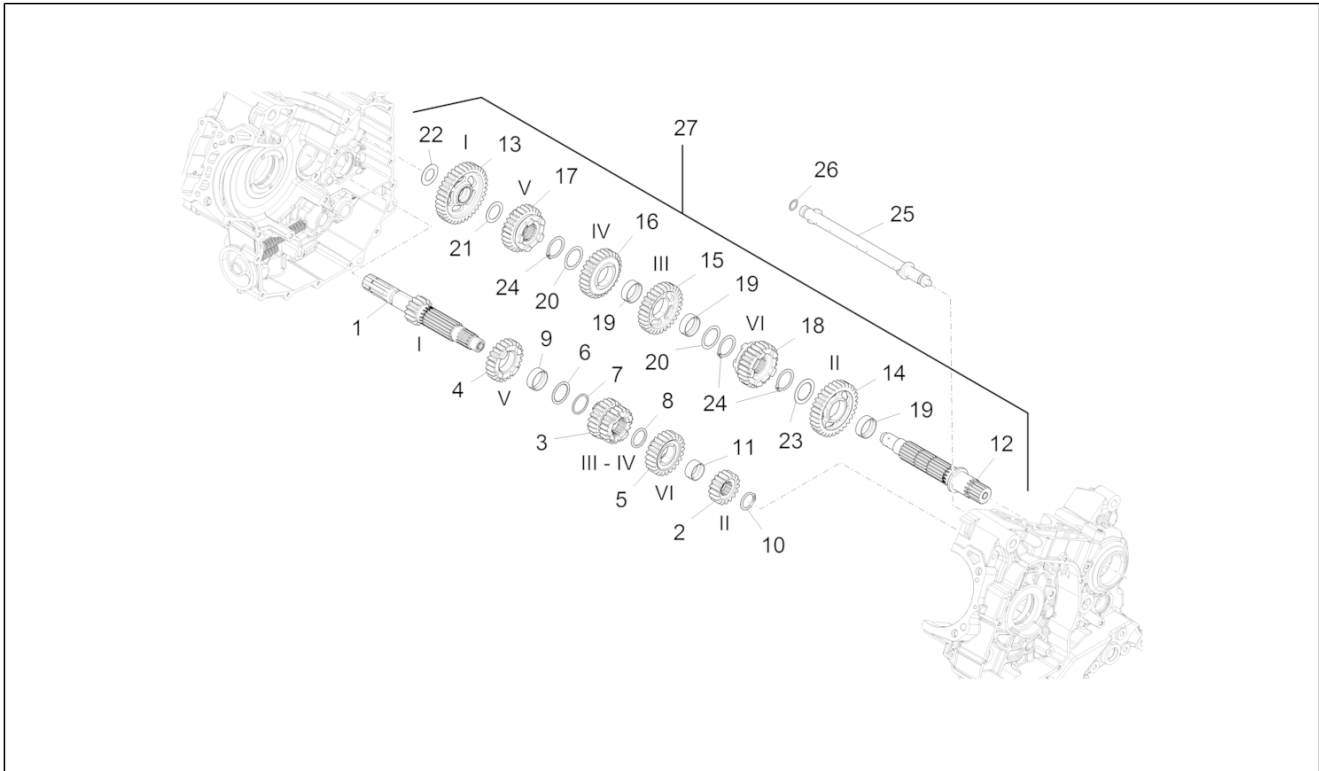
Pos.	Code	Description	Qty	Variants
1	B0191060A	***COMP. CRANKSHAFT WITH CONNECTING RODS	1	
2	8766665001	Connecting rod cat A	2	
2	8766665002	Connecting rod cat B	2	
3	849131	Connecting rod screw	4	
4	847906	Roller	4	
5	8781140001	Bushing, green "E"	4	
5	8781140002	Bushing, red "A"	4	
5	8781140003	Bushing, blue "B"	4	
5	8781140004	Bushing, yellow "C"	4	
6	CM159101	Primary drive gear Z=40	1	
7	B013373	Water pump pinion	1	
8	847915	Flat washer	1	
9	878296	Nut	1	

Group	Engine
Code	03.170
Description	Gear box / Selector / Shift cam
Service	1



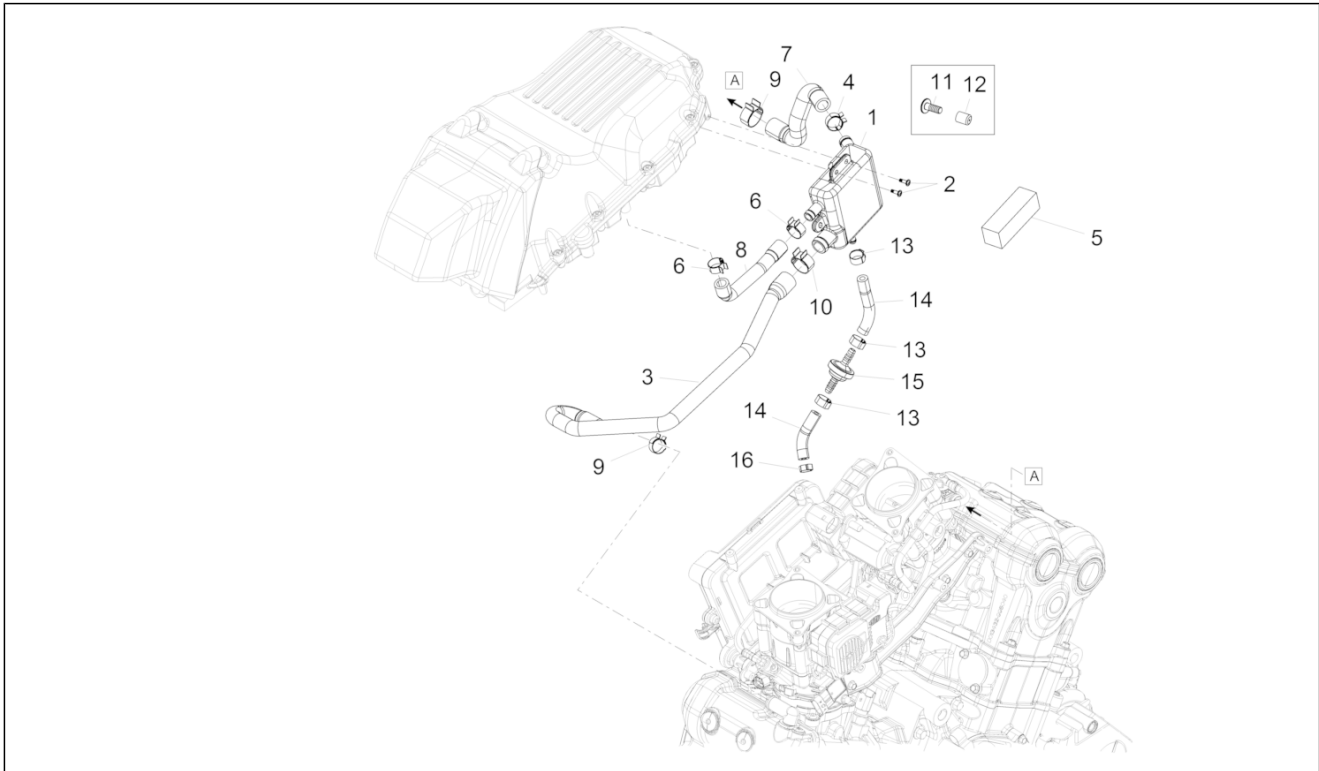
Pos.	Code	Description	Qty	Variants
1	875796	Shift cam cpl.	1	
2	874599	Fork output	1	
3	879554	Fork output	1	
4	873772	Fork shaft	2	
5	872154	Index assy. lever	1	
6	B013306	Gear stop lever spring	1	
7	B013928	Threaded pin	1	
8	871649	Selector lock plate	1	
9	878867	screw	3	
10	B014437	Selector shaft	1	
11	B014440	***GEARSHIFT PLATE RETURN SPRING	1	
12	971718	Flat washer 14X30X1	1	
13	878870	Threaded pin M8x1,25	1	
14	872560	Shift cam plate	1	
15	B017809	Selector drum	1	
16	AP9150069	Lever	2	
17	AP9150064	Spring	2	
18	AP9150070	Spring pillar	2	
19	597565	Self locking nut	1	
20	B016796	Torx convex big end screw	2	
21	877441	Packing	1	
22	857265	Gear position sensor	1	
23	974558	Spacer	1	
24	871901	Gasket OR	1	
25	974130	Selector lock	1	

Group	Engine
Code	03.180
Description	Gear box - Gear assembly
Service	1



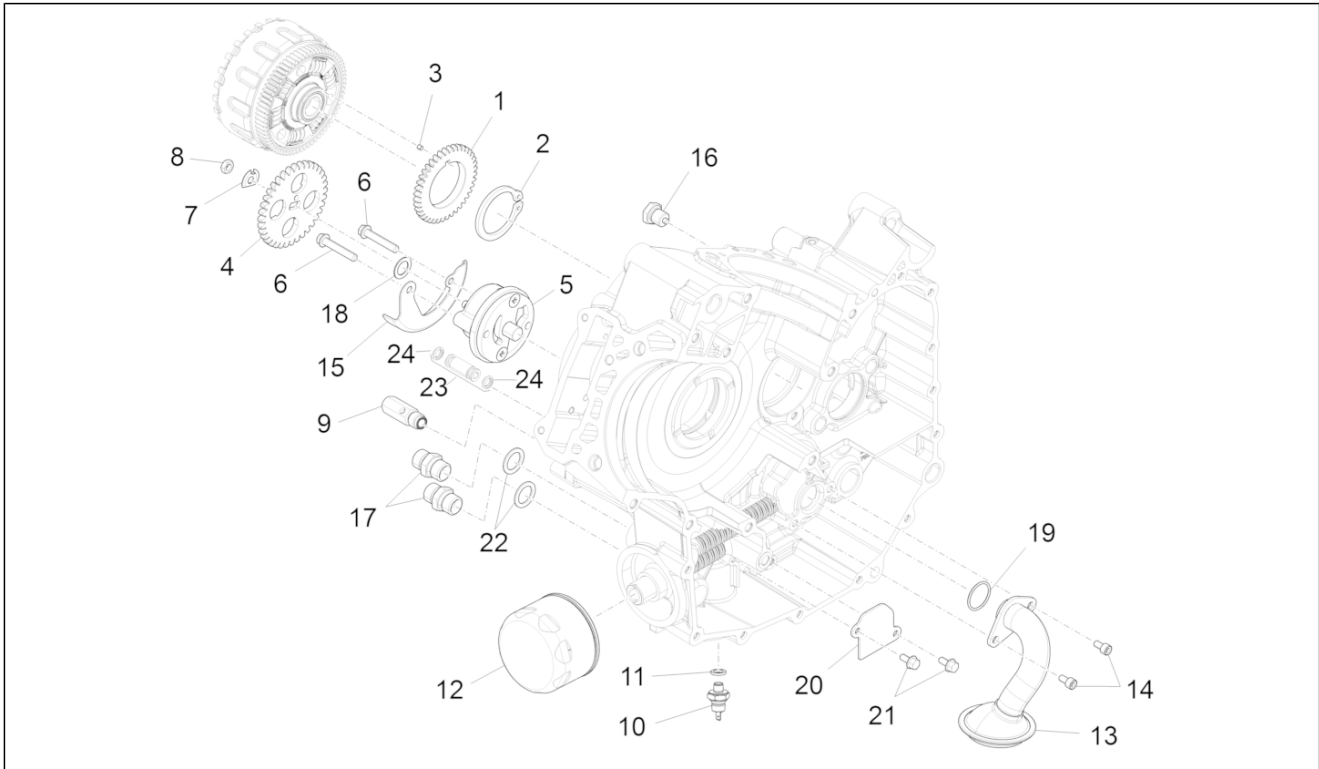
Pos.	Code	Description	Qty	Variants
1	8013937	Primary gear shaft	1	
2	876568	2nd pinion gear	1	
3	880194	3rd-4th pinion gear	1	
4	880195	5th pinion gear	1	
5	880196	6th pinion gear	1	
6	849424	Clearance washer	1	
7	849426	Snap ring	1	
8	974163	Clearance washer	1	
9	849308	Moveable bush	1	
10	974165	Snap ring	1	
11	974162	Moveable bush	1	
12	876561	Driven shaft	1	
13	876559	1st wheel gear	1	
14	876569	2nd wheel gear	1	
15	880197	3rd wheel gear	1	
16	880198	4th wheel gear	1	
17	880199	5th wheel gear	1	
18	880200	6th wheel gear	1	
19	849308	Moveable bush	3	
20	849310	Clearance washer	2	
21	974167	Clearance washer	1	
22	974166	Clearance washer	1	
23	849309	Clearance washer	1	
24	849311	Snap ring	3	
25	876546	Lubrication	1	
26	224035	O-ring	1	
27	8013936	Gear box assy	1	

Group	Engine
Code	03.196
Description	Blow-by system
Service	1



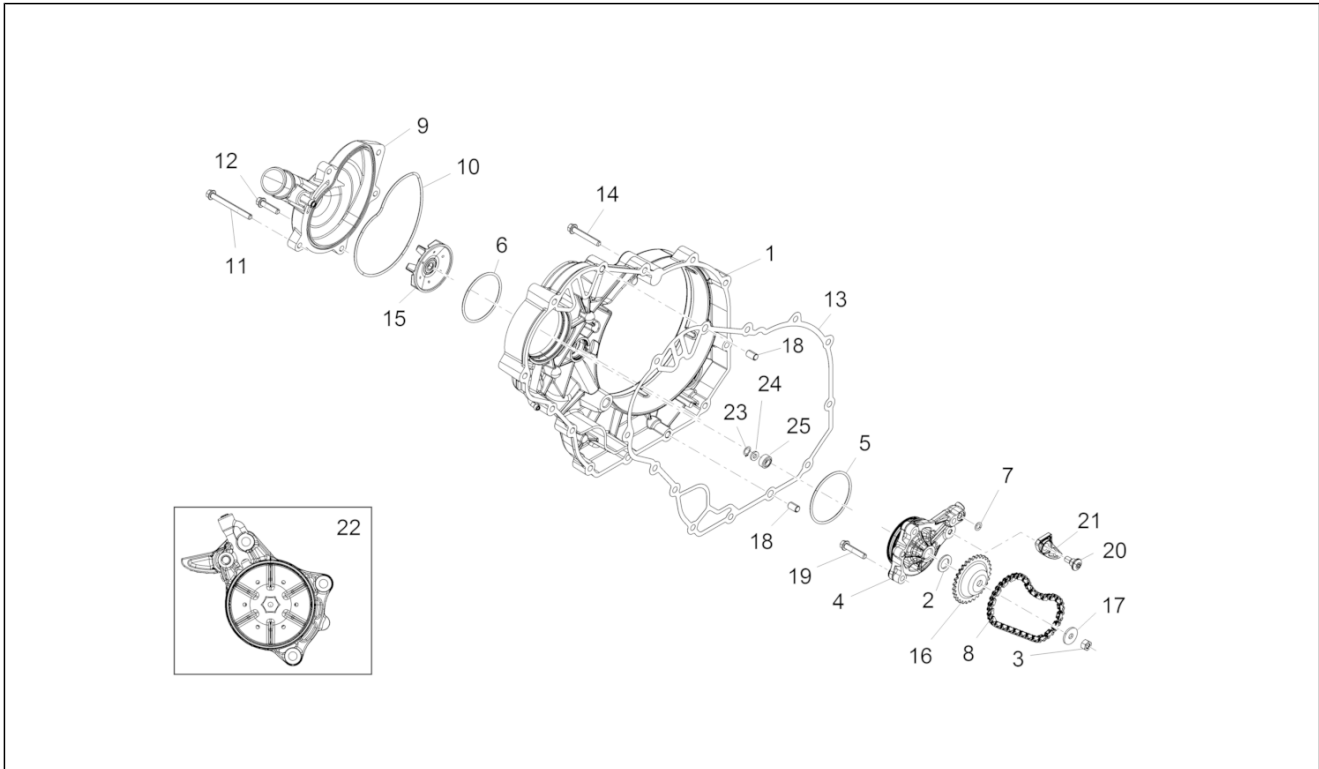
Pos.	Code	Description	Qty	Variants
1	2B000696	Blow-By tank	1	
2	AP8152329	Phillips screw, SWP M5x20	2	
3	2B000198	Front Blow-by breather pipe	1	
4	AP8102349	White hose clip D17,5x8	1	
5	897351	Blow-by filter	4	
6	AP8102903	Hose clip D16,5X6,6	2	
7	2B000199	Rear Blow-by breather pipe	1	
8	2B000200	Blow-by breather pipe	1	
9	AP8102786	Hose clip 20x8	2	
10	AP8201169	Hose clip D22x8,6*	1	
11	AP8152246	Screw w/ flange M6x16	1	
12	AP8120712	Rubber spacer	1	
13	AP8102239	Hose clamp 12,5x8	3	
14	AP8144015	Oil pipe 6x12	2	
15	AP8104996	Anti-return valve	1	
16	AP8120446	Hose clip, green D11x6,6x1	1	

Group	Engine
Code	03.200
Description	Oil pump
Service	1



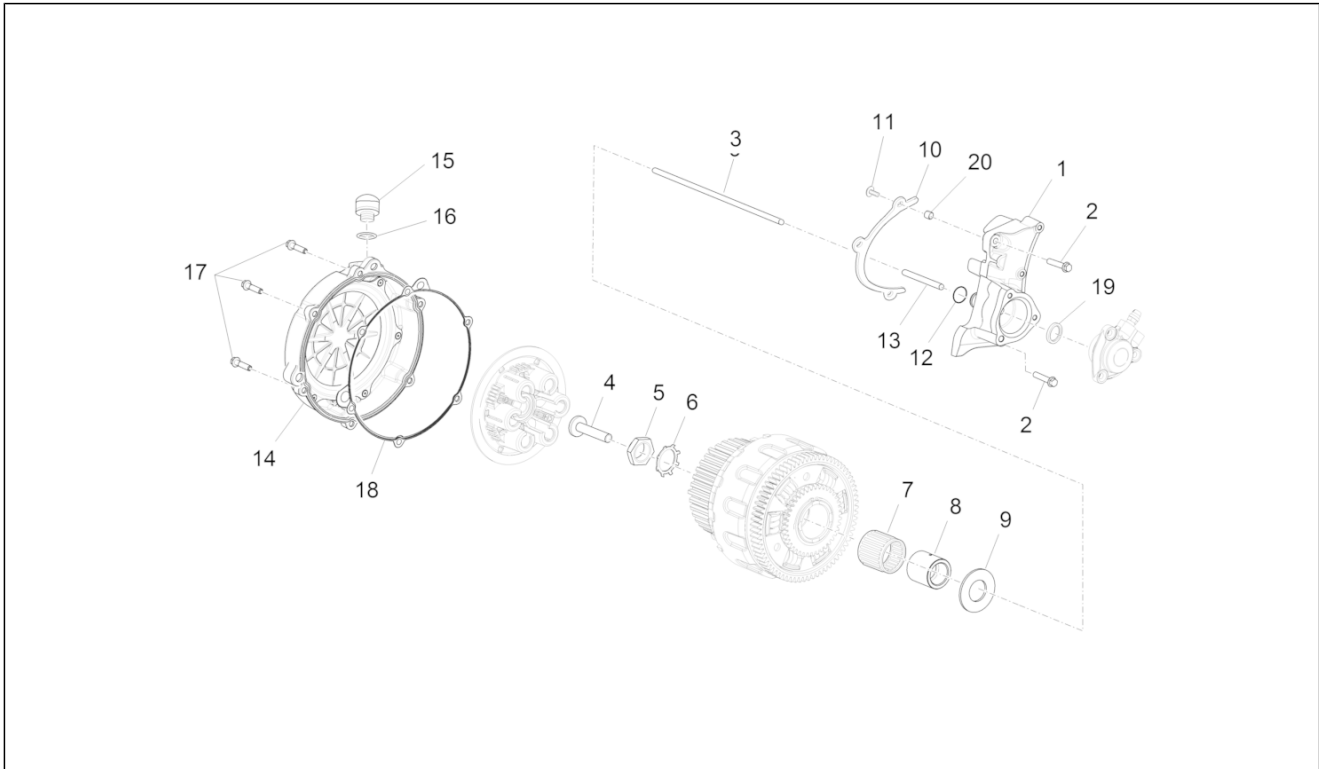
Pos.	Code	Description	Qty	Variants
1	974517	Oil pump gear	1	
2	006450	Snap ring	1	
3	974157	Roller	1	
4	873866	Oil pump gear	1	
5	873863	Oil pump assy.	1	
6	878871	Screw w/ flange	2	
7	873974	Safety washer	1	
8	873906	Low nut	1	
9	876486	Oil pressure adjusting valve	1	
10	641541	Oil pressure sensor	1	
11	AP9150472	Washer 10,5x17x1,5	1	
12	82960R	Oil filter	1	
13	879550	-	1	
14	709099	Hex socket screw M6x16	2	
15	878523	Oil pump bulkhead	1	
16	875358	Oil unload plug	1	
17	GU01161331	Reduction	2	
18	974290	Shim washer	1	
19	969323	O-ring	1	
20	878401	Plate BY-Pass	1	
21	484123	Screw w/ flange	2	
22	GU01154230	Gasket	2	
23	879250	Pipe	1	
24	877135	O-Ring seal ring	2	

Group	Engine
Code	03.210
Description	Water pump
Service	1



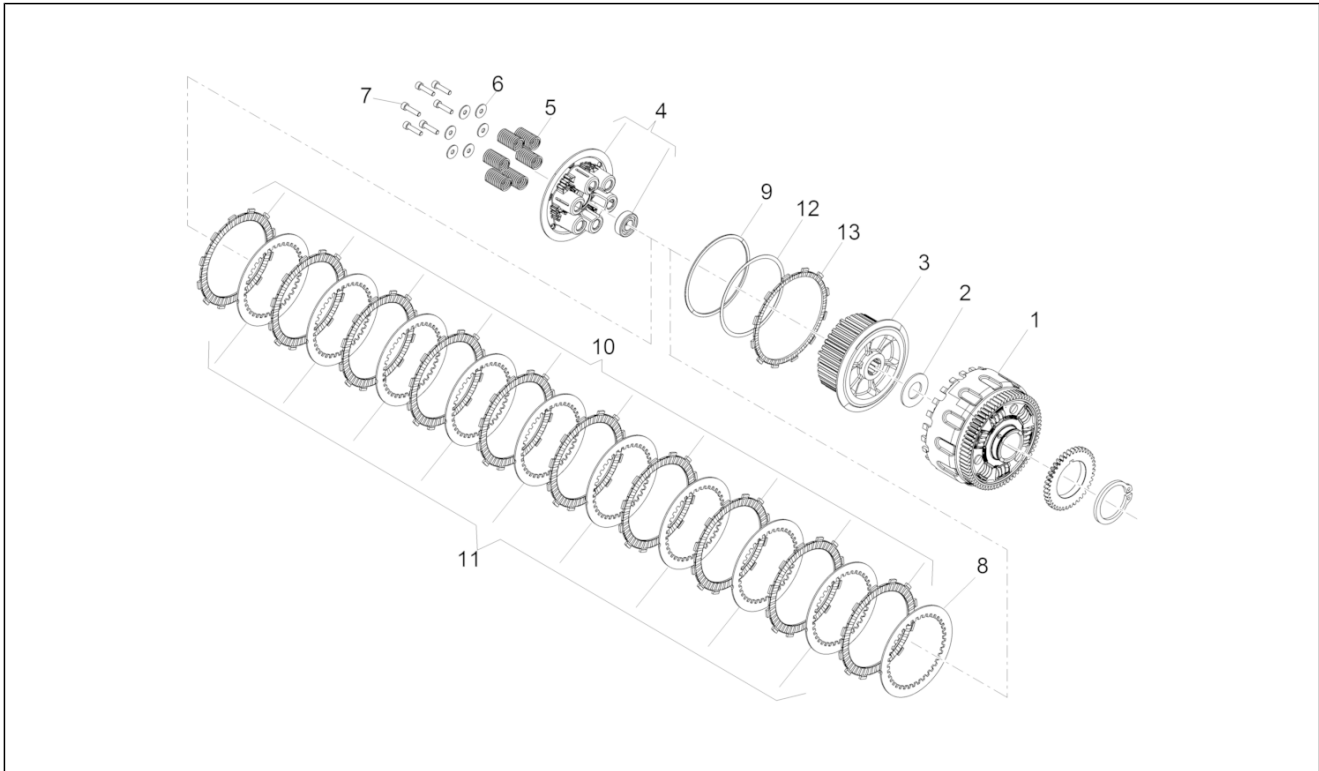
Pos.	Code	Description	Qty	Variants
1	B013000	Clutch side cover	1	
2	878734	Shim washer	1	
3	876529	Nut M6	1	
4	B014260	Pump support	1	
5	878115	O-ring	1	
6	876538	O-ring	1	
7	224035	O-ring	1	
8	846624	Chain 52	1	
9	B013068	Water pump cover grigio zenith	1	
10	B013527	Water pump body seal	1	
11	877850	Screw w/ flange	2	
12	874549	Screw w/ flange	3	
13	877069	Water pump cover gasket	1	
14	874551	Screw w/ flange	6	
15	880646	Rotor	1	
16	875814	Chain ring	1	
17	834951	Conical washer	1	
18	277916	Locating dowel	4	
19	B016792	Screw w/ flange M6x30	3	
20	857082	Screw w/ flange M 6x12	1	
21	880798	water pump slider	1	
22	B014258	Water pump assy	1	
23	880701	Circlip	1	
24	879320	Spacer	1	
25	855031	Oil seal D12x22x6	1	

Group	Engine
Code	03.220
Description	Clutch cover
Service	1



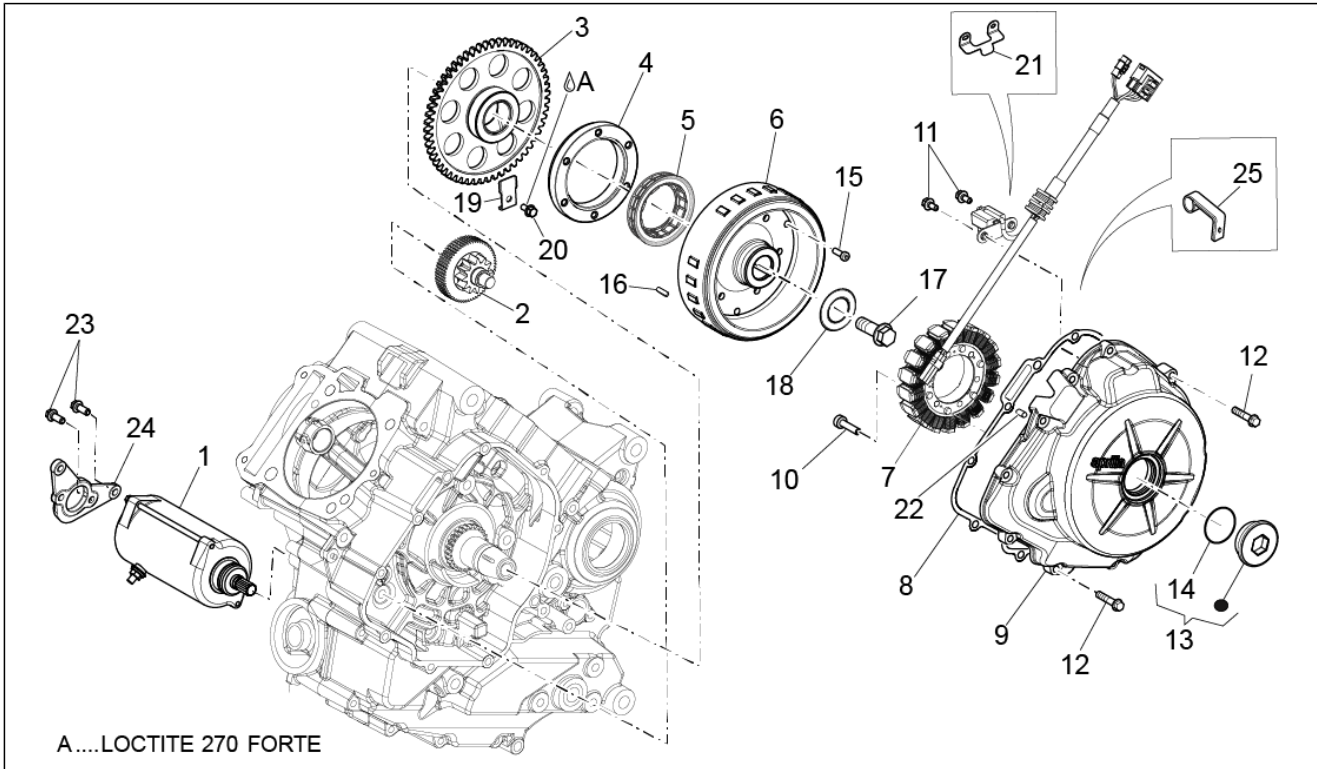
Pos.	Code	Description	Qty	Variants
1	B013074	Clutch disengagement flange	1	
2	872421	Screw w/ flange	2	
3	874660	Clutch shaft	1	
4	B015050	Rod	1	
5	877424	Nut	1	
6	876296	Safety washer	1	
7	974361	Roller cage 35X40X35,8	1	
8	873543	Spacer	1	
9	974320	Washer	1	
10	877193	***Panel	1	
11	658778	TCCEI screw M5x20	3	
12	871609	Gasket ring "OR"	1	
13	874191	Pawl clutch	1	
14	880779	Clutch cover	1	
15	AP9150410	Oil plug M20x1,5	1	
16	AP9150356	O-ring D18,72x2,62	1	
17	874551	Screw w/ flange	10	
18	B013607	Clutch crancase gasket	1	
19	825577	Gasket ring 8x16x7	1	
20	877195	Spacer	3	

Group	Engine
Code	03.230
Description	Clutch
Service	1



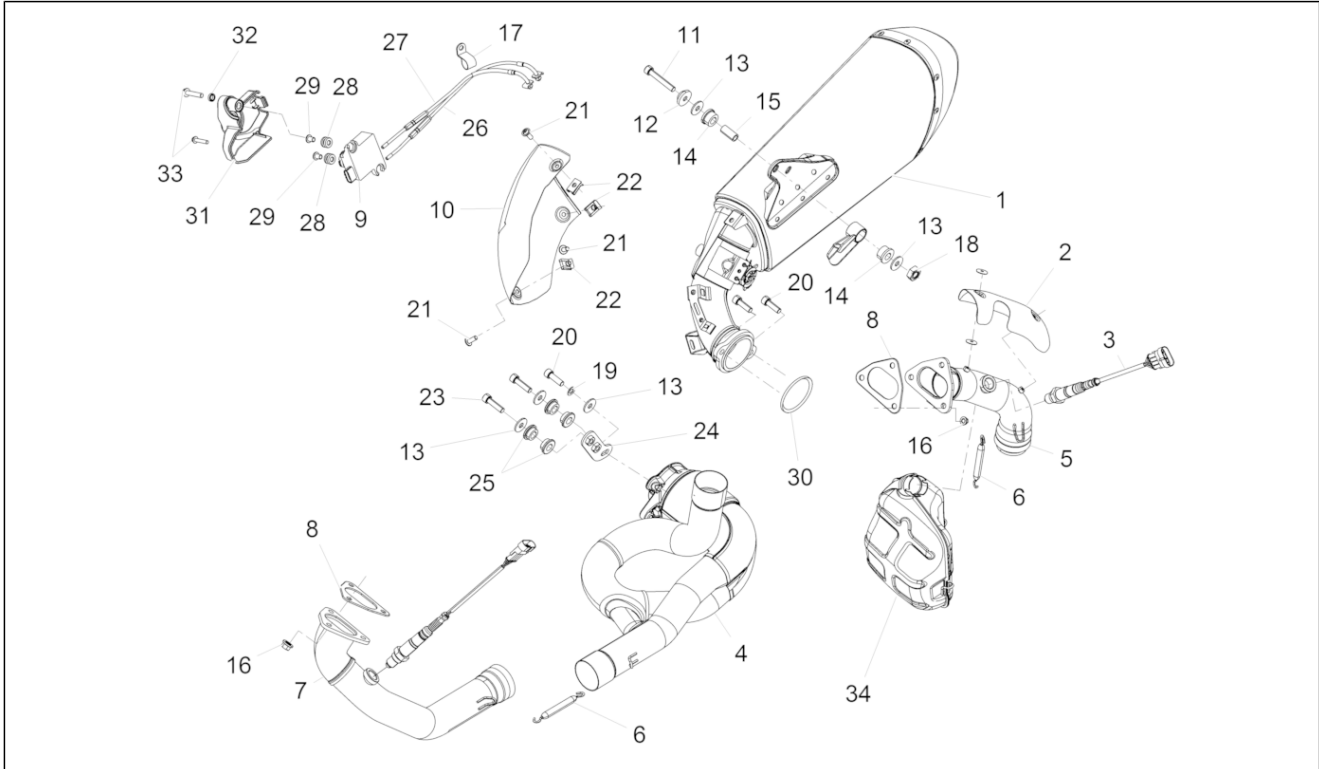
Pos.	Code	Description	Qty	Variants
1	880871	Clutch housing, complete	1	
2	974320	Washer	1	
3	878845	Clutch hub	1	
4	873719	Clutch pressure plate	1	
5	879175	Pressure plate spring	6	
6	879176	Cup	6	
7	873718	Hex socket screw M6	6	
8	875691	Nitrated driven clutch disc	1	
9	875223	Belleville spring	1	
10	877812	Driving clutch disc	10	
11	875690	Driven clutch disc	9	
12	875222	belleville spring washer	1	
13	875224	Lathed driving clutch disc	1	

Group	Engine
Code	03.300
Description	Cdi magneto assy / Ignition unit
Service	1



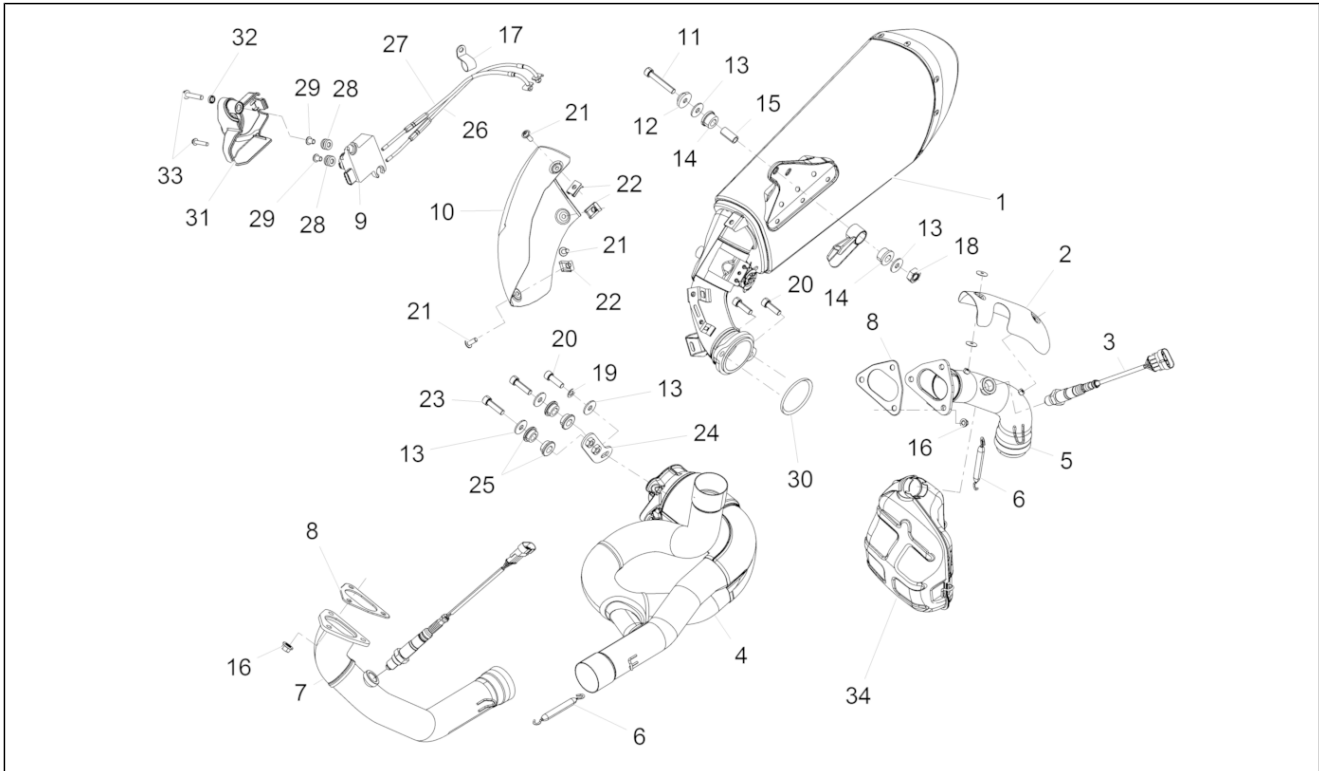
Pos.	Code	Description	Qty	Variants
1	82697R	Starter motor	1	
2	876954	Torque limiter	1	
3	848714	Starter motor gear	1	
4	830390	Sprag clutch housing	1	
5	830389	Sprag clutch	1	
6	680200	Rotor cpl.	1	
7	680199	Stator cpl.	1	
8	974033	Flywheel housing cover gasket	1	
9	B014391	Flywheel cover, black	1	
10	122637	Low head socket screw M6x30	3	
11	015935	TBCIC Screw M5x12	2	
12	874551	Screw w/ flange	6	
13	8716754	Cover	1	
14	974219	Gasket	1	
15	B013207	Hex socket screw M6x18	6	
16	000267	Transmission key	1	
17	B015563	Screw w/ flange M14x30	1	
18	825725	Flat washer 14.1x30x3	1	
19	848845	Plate	1	
20	878872	Screw w/ flange	1	
21	848647	Plate	1	
22	277916	Locating dowel	4	
23	874554	Screw w/ flange M6x14	2	
24	B013071	Support bracket	1	
25	B013745	Hose clamp	1	

Group	Engine
Code	03.330
Description	Exhaust pipe
Service	1



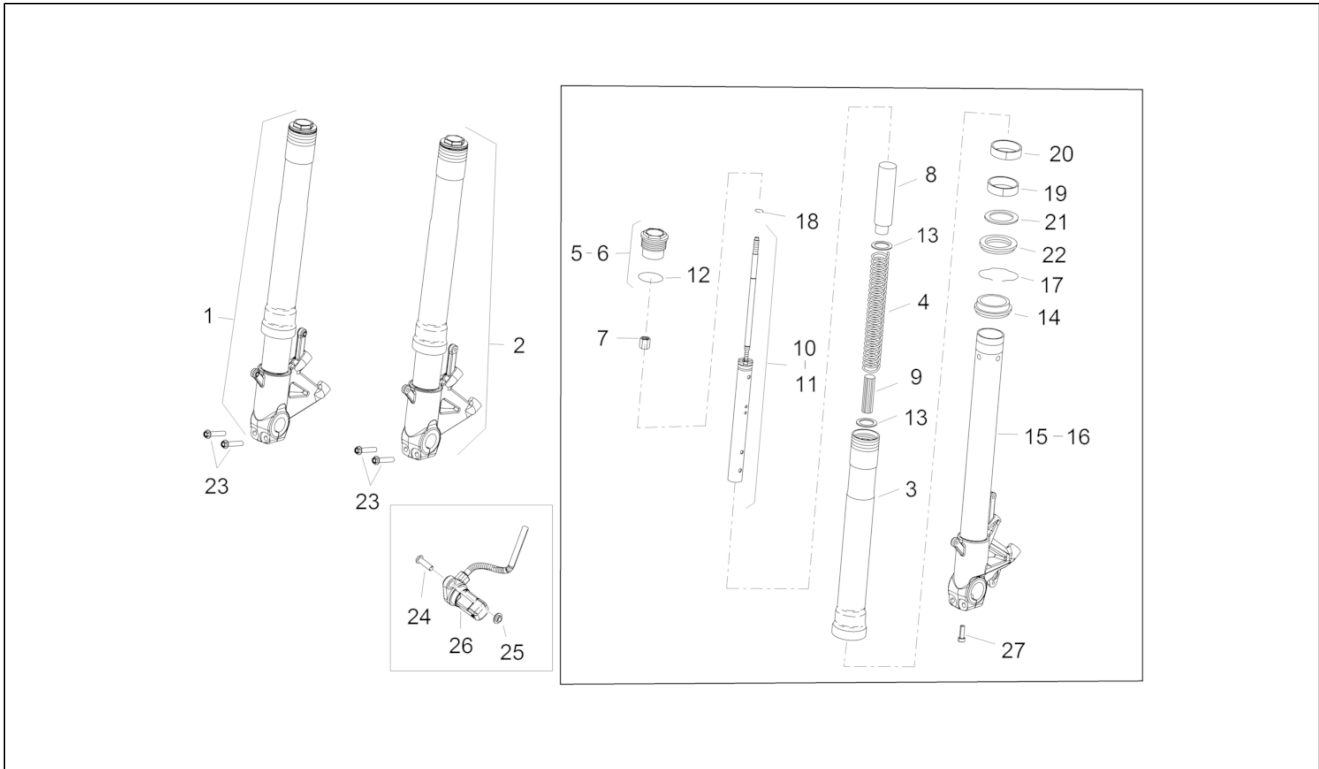
Pos.	Code	Description	Qty	Variants
1	2B000424	Silencer	1	
2	B045479	Exhaust pipe heat prot.	1	
3	896110	Lamda sensor l.660 mm	1	
4	2B000653	Central exhaust manifold	1	
5	2B000245	rear exhaust manifold	1	
6	AP8121170	Spring	2	
7	B045246	front exhaust manifold	1	
8	895836	Exhaust pipe gasket	2	
9	858722	Exhaust valve actuator	1	
10	B045215	Exhaust pipe protection	1	
11	AP8150277	Hex socket screw	1	
12	AP8134378	Silencer fixing bush	1	
13	AP8150018	Washer	5	
14	AP8144071	Rubber exhaust	2	
15	AP8121773	Spacer *	1	
16	GU92660021	Flanged nut M8	6	
17	894704	Fairlead	1	
18	AP8152300	Self-locking nut M8	1	
19	AP8150376	Washer 8,5x15x0,8	1	
20	AP8150520	Hex socket screw M8x25	3	
21	AP8152246	Screw w/ flange M6x16	3	
22	AP8102376	Clip M6	3	
23	AP8150107	Hex socket screw M8x30	2	
24	B045513	Manifold fixing bracket	1	
25	AP8144558	Rubber spacer	4	
26	B045249	Gas trasmission return	1	
27	B045250	Gas trasmission delivery	1	
28	AP8120223	Rubber spacer *	2	

Group	Engine
Code	03.330
Description	Exhaust pipe
Service	1



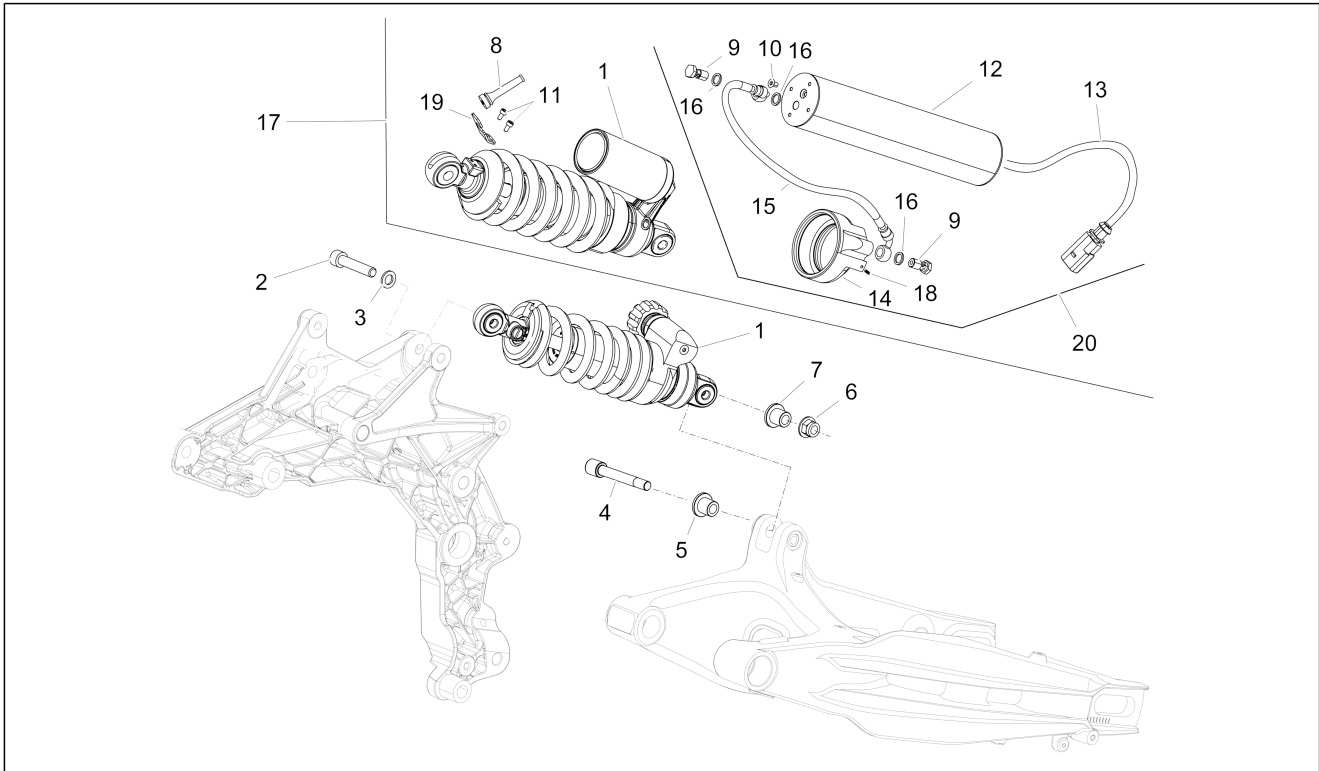
Pos.	Code	Description	Qty	Variants
29	AP8121725	T bush *	2	
30	B045427	Exhaust manifold gasket	1	
31	899524	exhaust valve actuator cover	1	
32	AP8120253	Spacer	2	
33	AP8152282	Screw w/ flange M6x35	2	
34	2B000242	Box	1	

Group	Suspensions
Code	04.025
Description	Front fork
Service	1



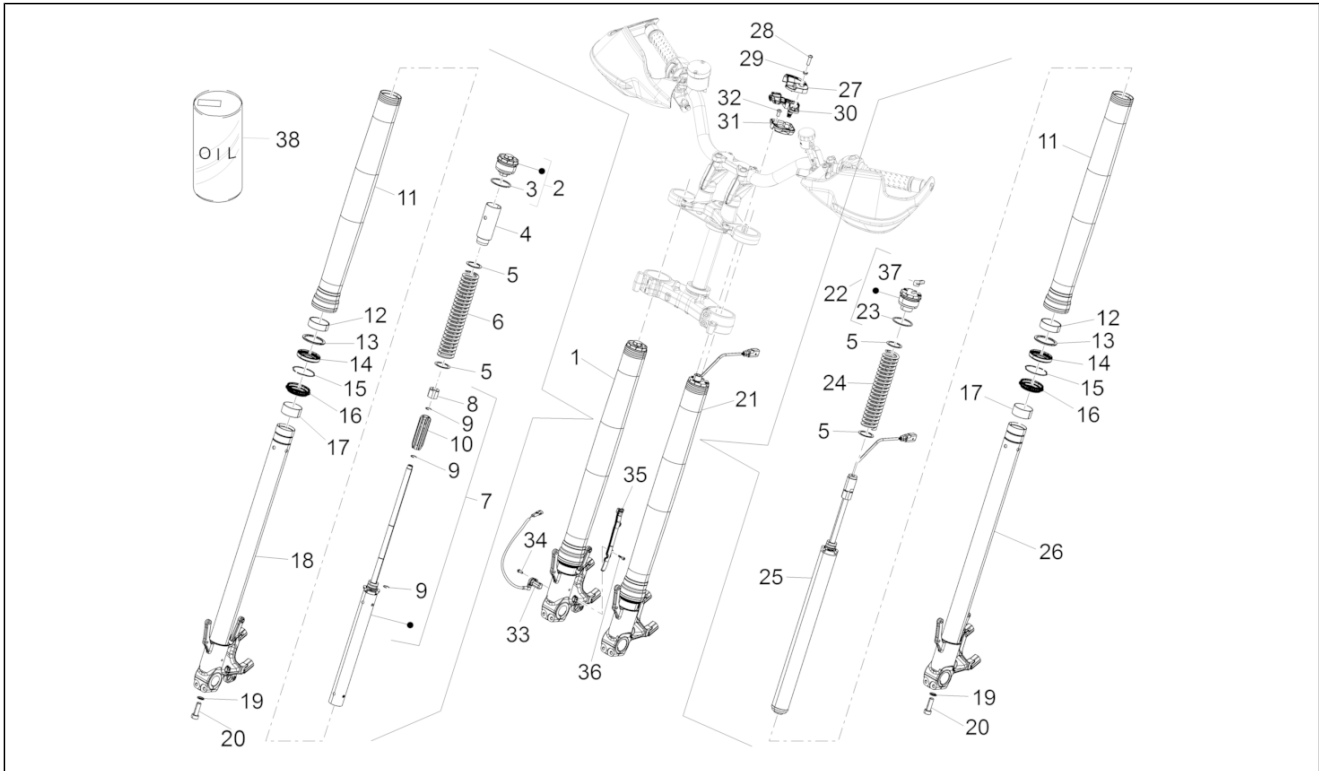
Pos.	Code	Description	Qty	Variants
1	B045728	RH hub	1	
2	B045729	LH hub	1	
3	897328	Sleeve	1	
4	2B000205	Front suspension spring	2	
5	2R000010	Plug cpl. SX	1	
6	2R000011	Plug cpl. DX	1	
7	897331	Nut	2	
8	2R000012	Preload tube	2	
9	897333	Spring guide	2	
10	897334	LH plunger, complete	1	
11	897349	RH plunger, complete	1	
12	897335	O-ring	2	
13	897336	Washer	2	
14	897337	Dust cover	2	
15	897338	Hub+LH fork leg	1	
16	897350	Hub+RH fork leg	1	
17	897339	Circlip	2	
18	897340	Stop ring	2	
19	897341	Spring guide bush	2	
20	897342	Bush	2	
21	897343	Special washer	2	
22	897344	Oil seal	2	
23	AP8152283	Screw w/ flange	0	
24	AP8152273	Screw w/ flange M5X15	0	
25	AP8152306	Self-locking nut m5	0	
26	859792	Sensor ABS	0	
27	2R000013	Sec. screw	2	

Group	Suspensions
Code	04.080
Description	Shock absorber
Service	1



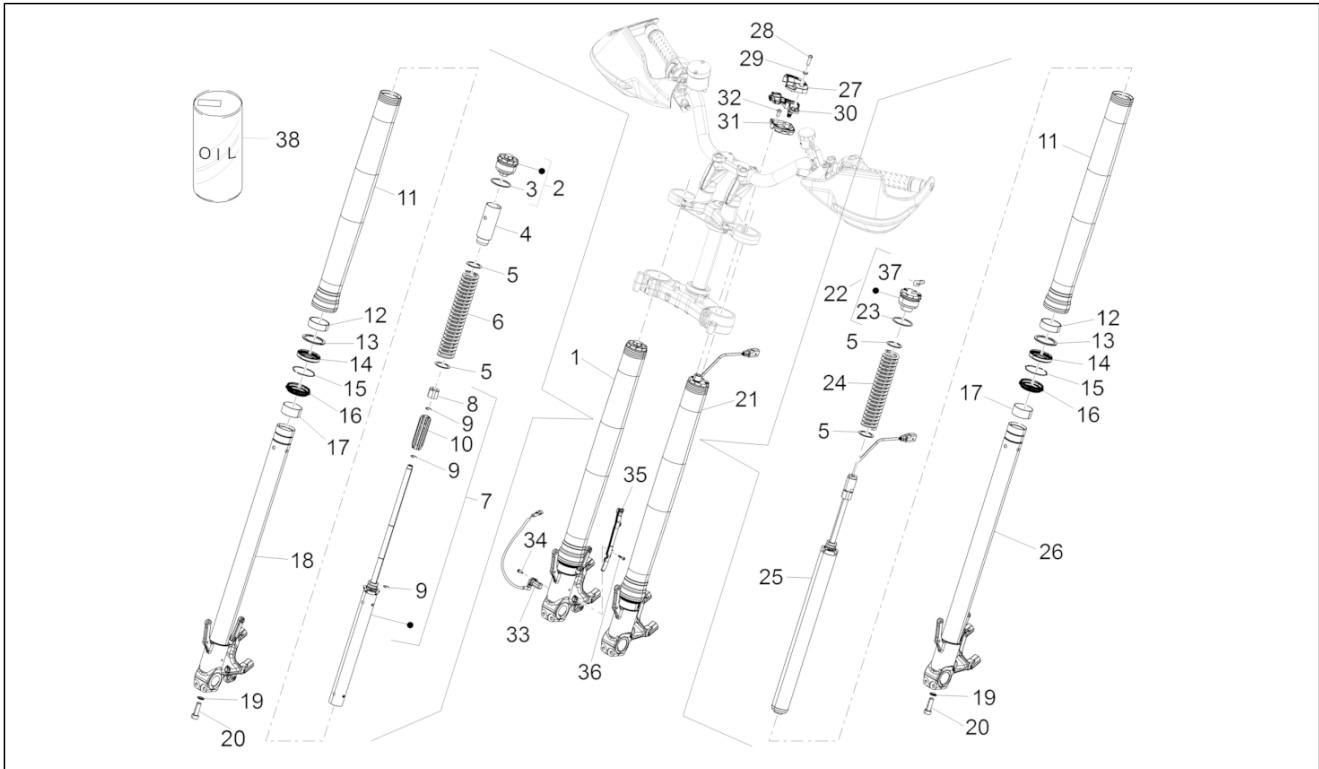
Pos.	Code	Description	Qty	Variants
1	B044353	Shock absorber	1	
1	B044484	Shock absorber	1	
2	AP8152411	Hex socket screw M10x59	1	
3	AP8152176	Washer 10,5X18X2*	2	
4	AP8150329	Hex socket screw	1	
5	860662	Ring nut	1	
6	AP8152301	Self-locking nut	1	
7	AP8121155	T bush *	1	
8	2R000034	Fairlead	1	
9	2R000030	screw	2	
10	2R000033	Screw	2	
11	2R000035	Lower screw	2	
12	2R000027	Preload tube	1	
13	2R000028	Wiring	1	
14	2R000026	Preload	1	
15	2R000029	Connecting pipe	1	
16	2R000031	Washer	3	
17	B044313	Shock absorber cpl.	1	
18	2R000032	Screw	1	
19	2R000036	Plate	0	
20	2R000025	CPL preload unit	1	

Group	Suspensions
Code	04.090
Description	Front fork
Service	1



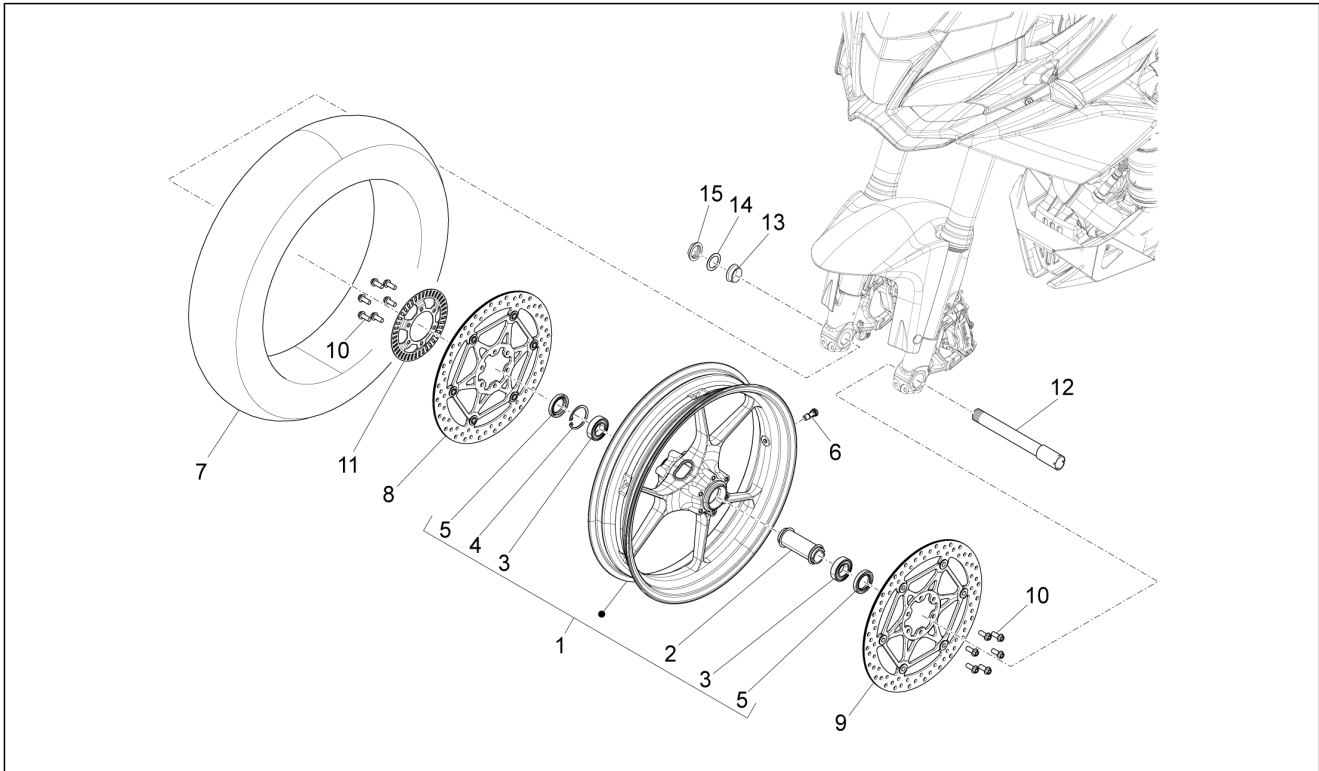
Pos.	Code	Description	Qty	Variants
1	B044311	RH hub	1	
2	2R000021	RH sleeve plug	1	
3	897335	O-ring	1	
4	2R000022	Preload tube	1	
5	897336	Washer	1	
6	897329	Spring	1	
7	2R000023	RH plunger, complete	1	
8	897331	Nut	1	
9	897340	Stop ring	1	
10	897333	Spring guide	1	
11	897328	Sleeve	1	
12	897342	Bush	1	
13	897343	Special washer	1	
14	897344	Oil seal	1	
15	897339	Circlip	1	
16	897337	Dust cover	1	
17	897341	Spring guide bush	1	
18	2R000024	Hub+RH fork leg	1	
19	B064070	Washer	1	
20	2R000020	Sec. screw	1	
21	B044312	LH hub	1	
22	2R000017	Plug cpl.	1	
23	897335	O-ring	1	
24	2R000016	Spring	1	
25	2R000018	LH plunger, complete	1	
26	2R000019	Hub+LH fork leg	1	
27	B046048	Sensor cover	1	
28	AP8224470	Hex socket screw M6x20	1	

Group	Suspensions
Code	04.090
Description	Front fork
Service	1



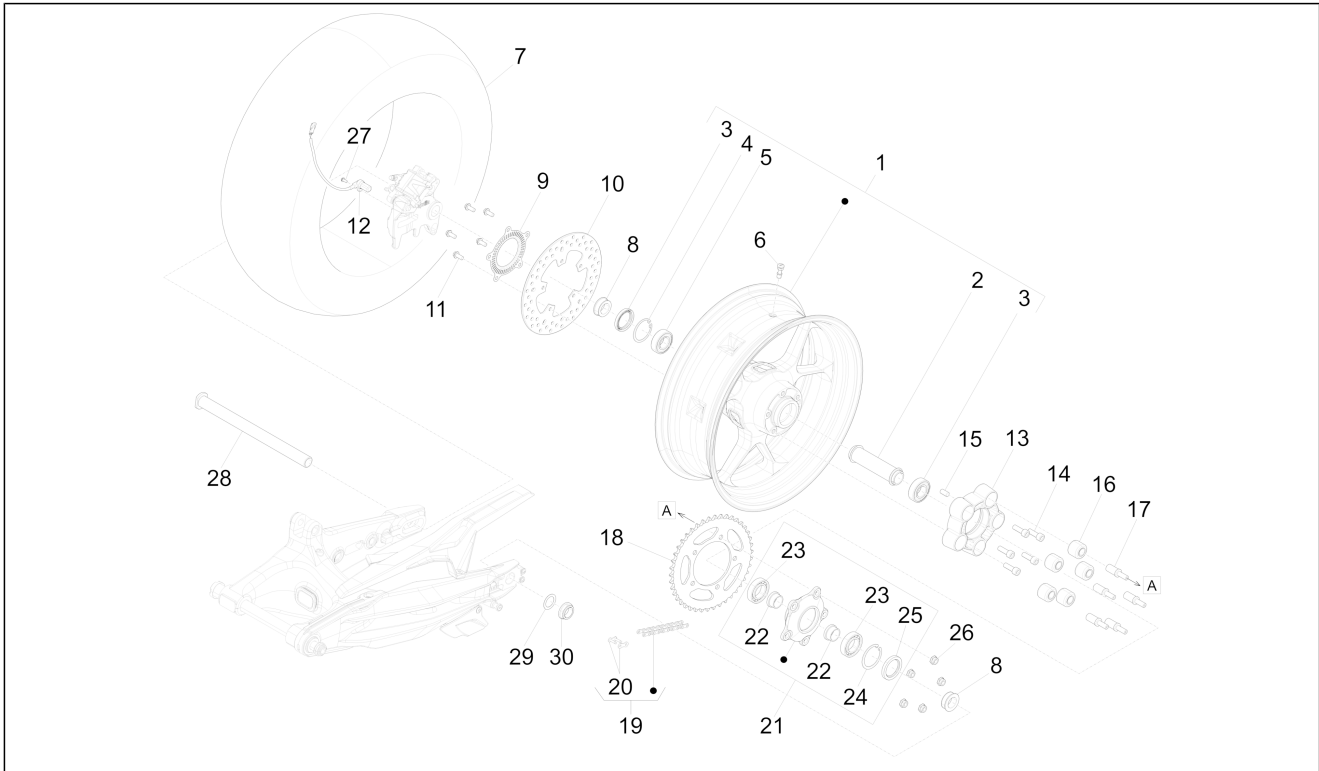
Pos.	Code	Description	Qty	Variants
29	AP8121811	T bush	1	
30	B045400	Pressure and air temperature sensor	1	
31	B046124	Bracket	1	
32	274369	Hex socket screw M6x12	1	
33	859792	Sensor ABS	2	
34	AP8152273	Screw w/ flange M5X15	1	
35	B044314	Front ABS sensor cable guide	1	
36	AP8152043	Hex socket screw M4x10	1	
37	2L000032	Cover CDCI	1	
38	2R000075	Oil	0	

Group	Wheels
Code	05.010
Description	Front wheel
Service	1



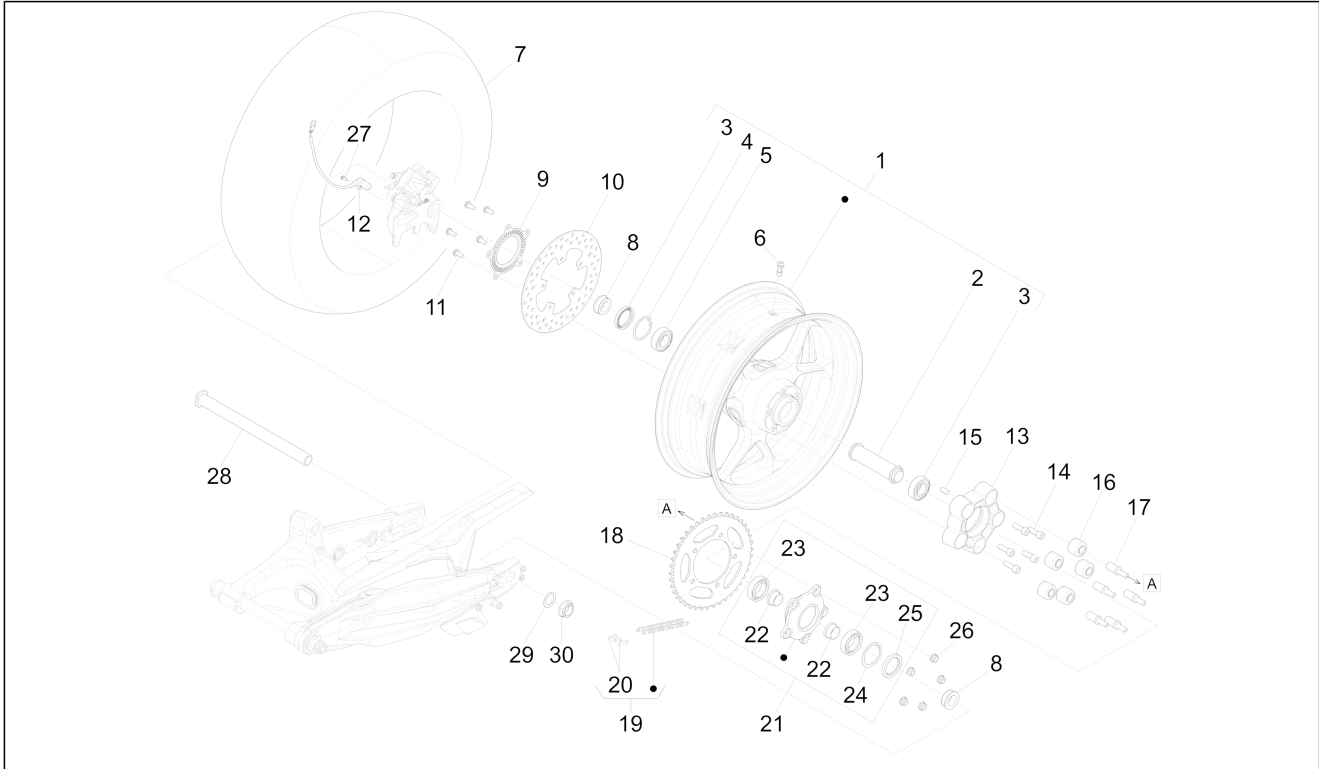
Pos.	Code	Description	Qty	Variants
1	896754	Front wheel, black	1	
2	AP8128169	Internal spacer	1	
3	AP8110094	Bearing 25x47x12	2	
4	AP8125842	Snap ring d47	1	
5	AP8125841	Gasket ring 30x47x7	1	
6	AP8101744	Tubeless tyre valve	1	
7	B046049	***FRONT TYRE 120/70-ZR17"	1	
8	896011	Front brake disc DX	1	
8	B044279	RH front brake disc	1	
9	896012	Front brake disc SX	1	
9	B044280	Front brake disc SX	1	
10	AP8152286	Screw w/ flange M8x20	12	
11	AP8128189	Wheel speed sensor, left front	1	
12	85263R	Front wheel spindle	1	
13	AP8125728	Front RH whe.ou.spacer	1	
14	AP8152323	Washer 25,2x36x1	1	
15	AP8152335	Wheel spindle nut	1	

Group	Wheels
Code	05.020
Description	Rear wheel
Service	1



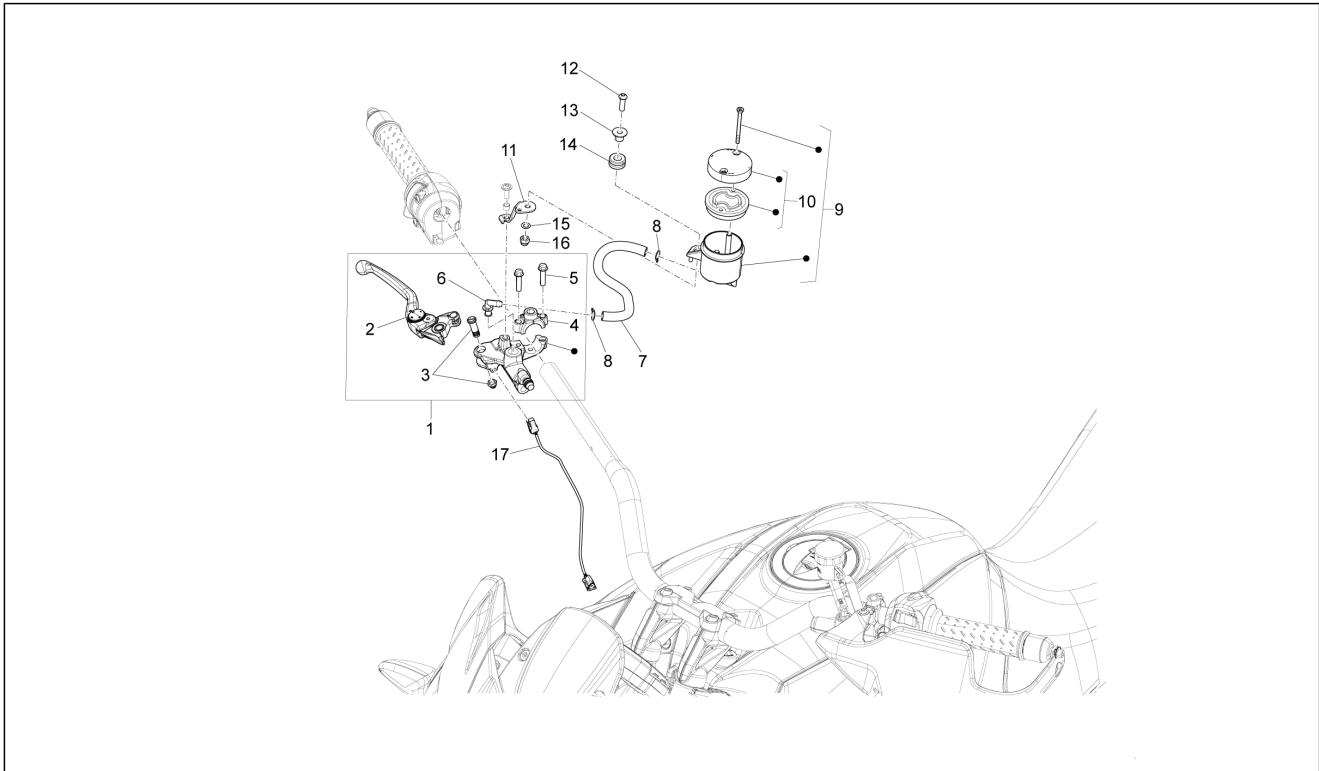
Pos.	Code	Description	Qty	Variants
1	896756	Rear wheel, black 6"x17"	1	
2	AP8128170	Internal spacer	1	
3	AP8110093	Bearing 6205-2rs1 25x52x15	2	
4	AP8125839	Snap ring d52	1	
5	AP8125838	Gasket ring 38x52x7	1	
6	AP8101744	Tubeless tyre valve	1	
7	2B000271	Rear tyre 180/55 ZR 17"	1	
8	AP8121225	Rear wheel spacer	2	
9	890960	Wheel speed sensor, left front ABS	1	
10	896013	Rear brake disc d.240	1	
10	B044278	Rear brake disc d.240	1	
11	894505	Screw w/ flange M8x18	5	
12	859792	Sensor ABS	1	
13	898443	Spring drive holder	1	
14	AP8150195	Hex socket screw M10x30	5	
15	AP8150463	Pin 10x20	1	
16	B043317	Flexible coupling rubber	5	
17	B045033	Pin	5	
18	CM221705	Chain ring Z=42	1	
19	856805	Chain 525	1	
20	859754	Connecting link	1	
21	AP8125730	Crown holder cpl.	1	
22	AP8125732	Spring drive spacer	2	
23	AP8110081	Bearing 30x55x13	2	
24	AP8121212	Inside circlip d55	1	
25	AP8121213	Gasket ring 38x55x7	1	
26	AP8150436	Low self-locking nut	5	
27	AP8152273	Screw w/ flange M5X15	1	

Group	Wheels
Code	05.020
Description	Rear wheel
Service	1



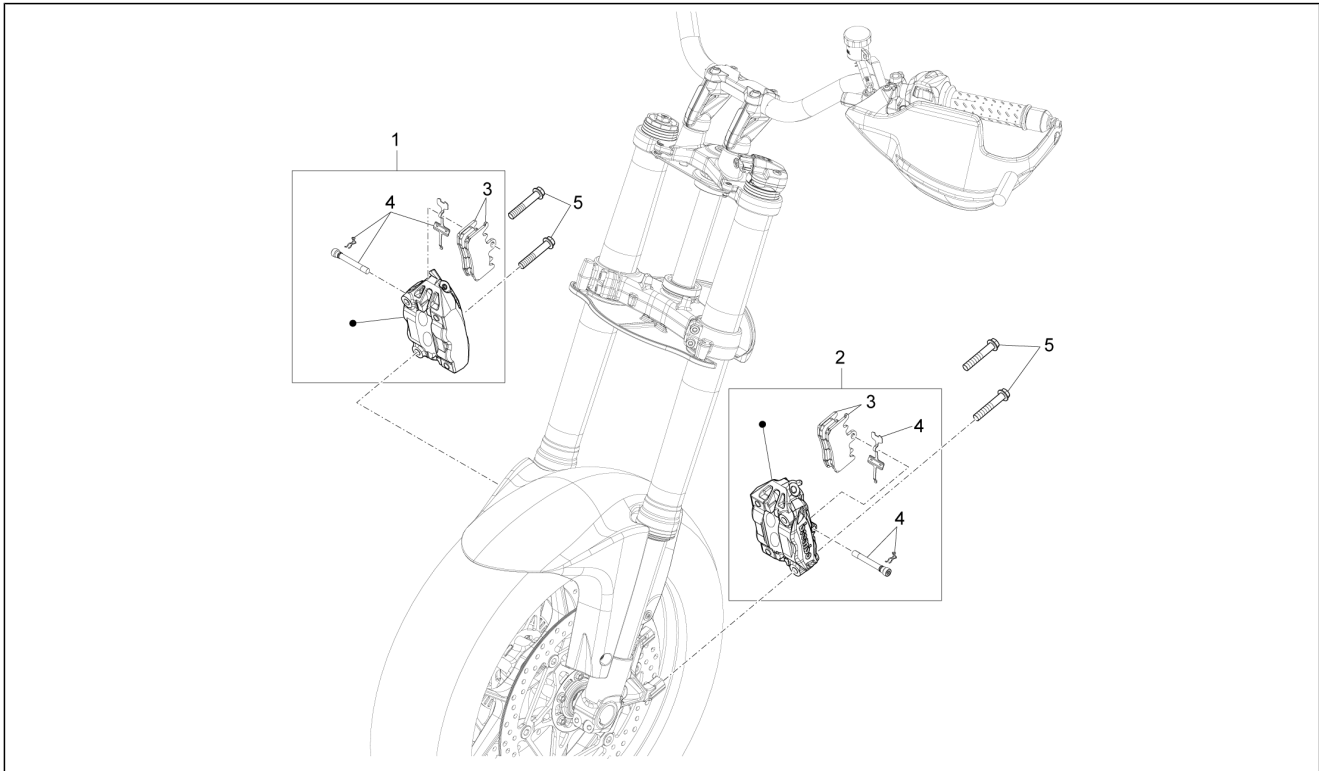
Pos.	Code	Description	Qty	Variants
28	AP8125831	Rear wheel spindle	1	
29	AP8152323	Washer 25,2x36x1	1	
30	AP8152324	Wheel spindle nut M25x1,5	1	

Group	Brake system
Code	06.010
Description	Front master cilinder
Service	1



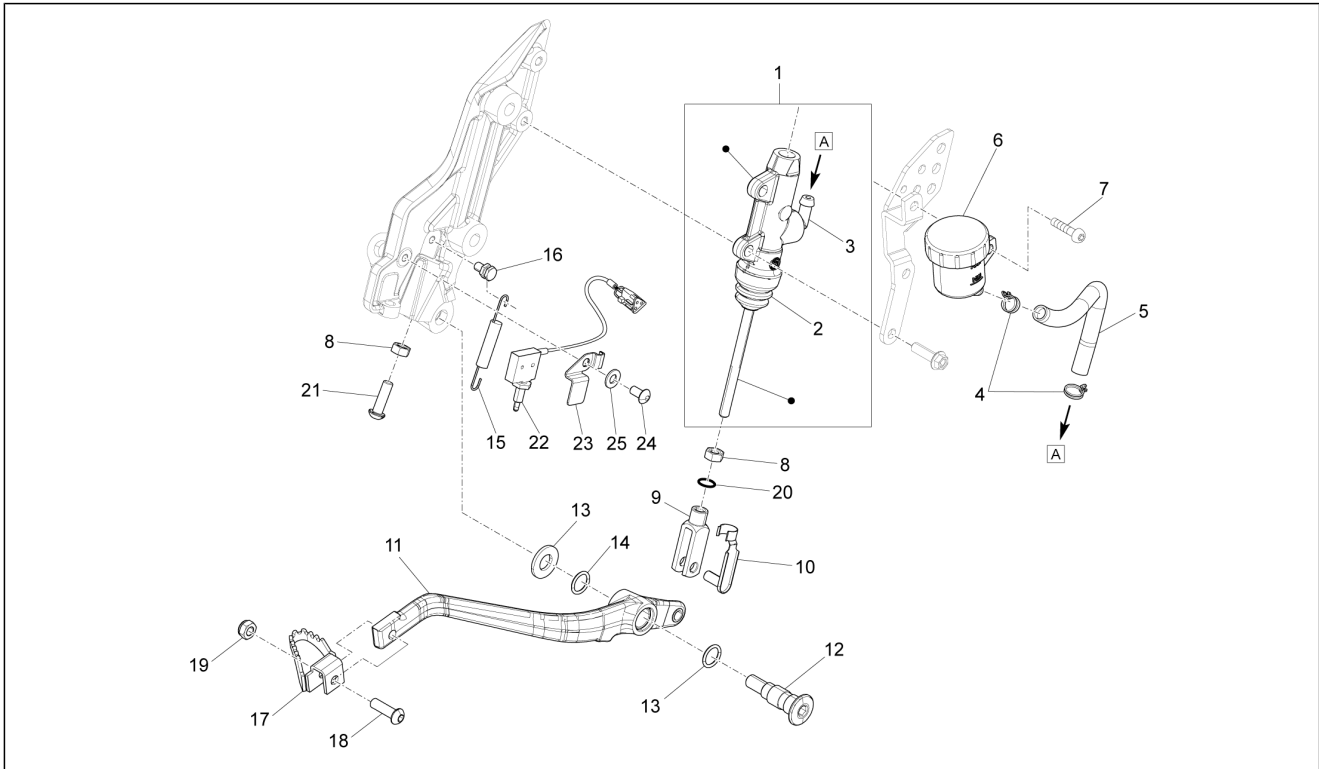
Pos.	Code	Description	Qty	Variants
1	896256	Front master cilinder	1	
2	AP8145022	Front brake lever	1	
3	AP8113719	Lever pin	1	
4	AP8168501	Rearview mirror base	1	
5	AP8213299	Cap screw	2	
6	AP8213057	Rear brake pump union	1	
7	AP8113771	pipe	1	
8	AP8101595	Hose clamp D10,1	2	
9	AP8113499	Brake oil tank	1	
10	AP8113598	Pil brake tank plug	1	
11	AP8134899	Oil tank plate	1	
12	AP8224470	Hex socket screw M6x20	1	
13	AP8221023	T bush	1	
14	AP8120030	Rubber spacer	1	
15	658830	Curved spring washer 6x12	1	
16	AP8150474	Stainless cap nut M6	1	
17	B044510	Front brake light sw.	1	

Group	Brake system
Code	06.020
Description	Front brake caliper
Service	1



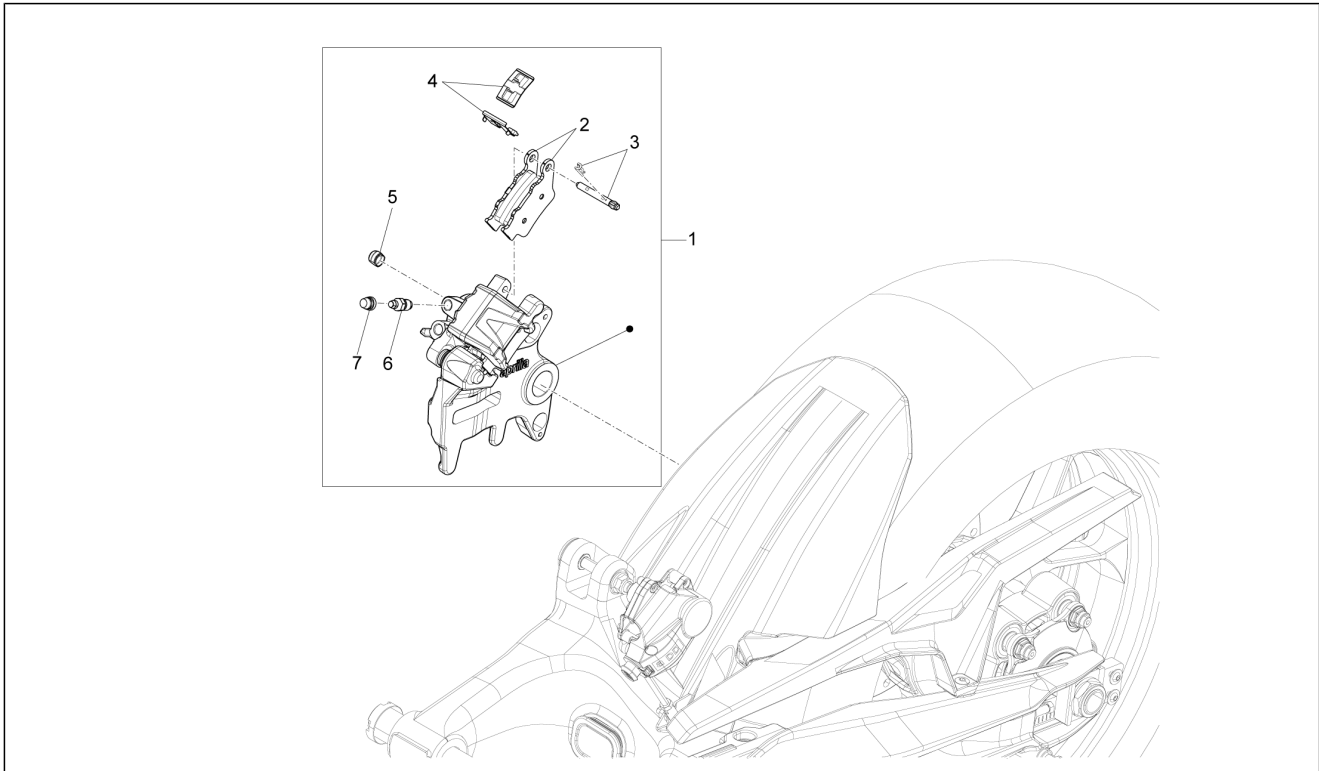
Pos.	Code	Description	Qty	Variants
1	B045735	***CALIPER	1	
2	B045736	***CALIPER	1	
3	2B000214	***BRAKE PAD	1	
4	B044598	Pins+spring+cotter pin kit	1	
5	AP8152414	Screw w/ flange M10x55	4	

Group	Brake system
Code	06.030
Description	Rear master cylinder
Service	1



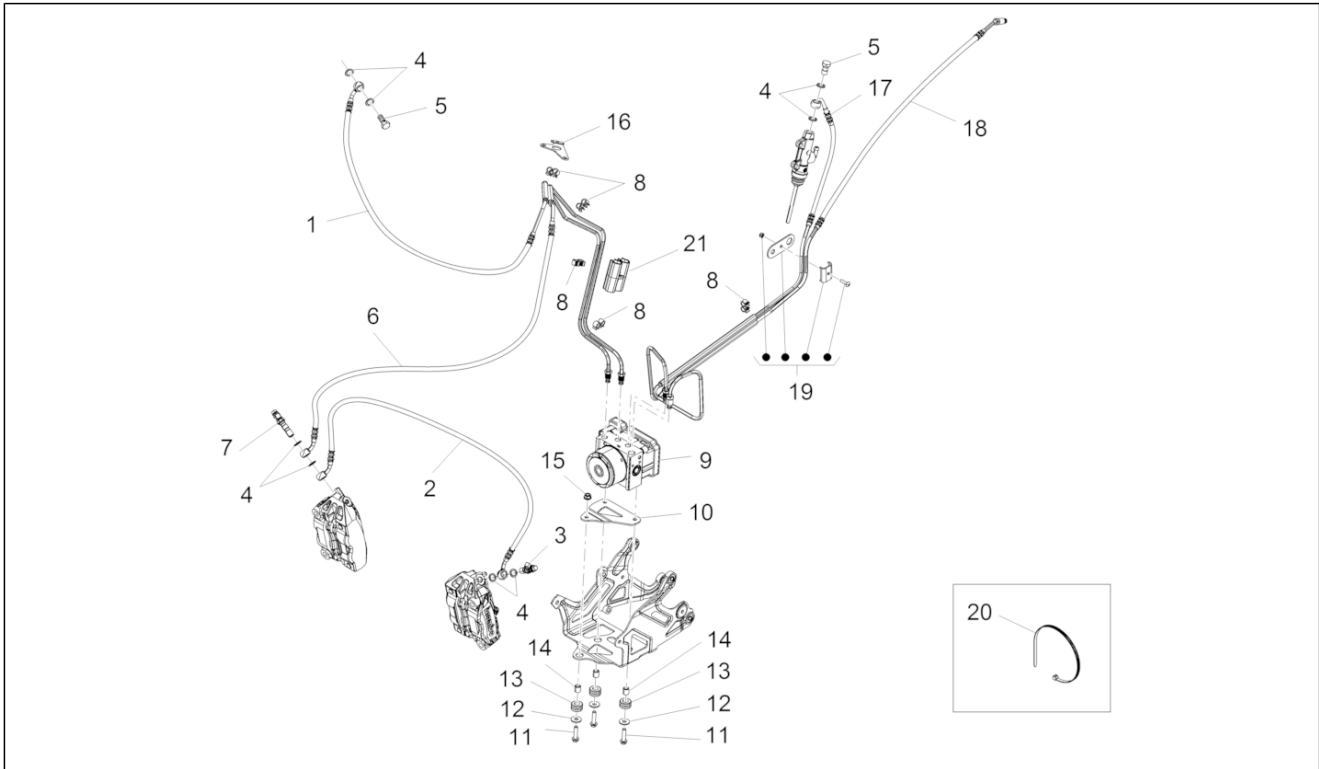
Pos.	Code	Description	Qty	Variants
1	B045418	Rear master cylinder	1	
2	AP8113288	Rubber bellows	1	
3	AP8213057	Rear brake pump union	1	
4	AP8101595	Hose clamp D10,1	2	
5	890509	Rubber pipe	1	
6	AP8106382	Oil tank	1	
7	AP8150537	Hex socket screw M6x12	1	
8	AP8150026	Nut M6	2	
9	AP8101968	Fork	1	
10	AP8201301	Gear selector fork clips	1	
11	856808	Rear brake lever	1	
12	AP8121223	Rear brake lever pin	1	
13	AP8144007	O-ring 11,11x1,78	2	
14	AP8150020	Washer 10,5x21x2*	1	
15	AP8121126	Rear brake lever spring	1	
16	859946	Fixing pin	1	
17	851049	Rear Brake lever push	1	
18	AP8150137	Hex socket screw	1	
19	AP8150430	Low self-locking nut	1	
20	AP8120178	O-ring OR112	1	
21	AP8224470	Hex socket screw M6x20	1	
22	B046127	***PUSH BUTTON	1	
23	2B000124	***SHEET	1	
24	AP8150538	Hex socket screw M5x10	1	
25	AP8150272	Curved spring washer 5,3x10x0,5	1	

Group	Brake system
Code	06.040
Description	Rear brake caliper
Service	1



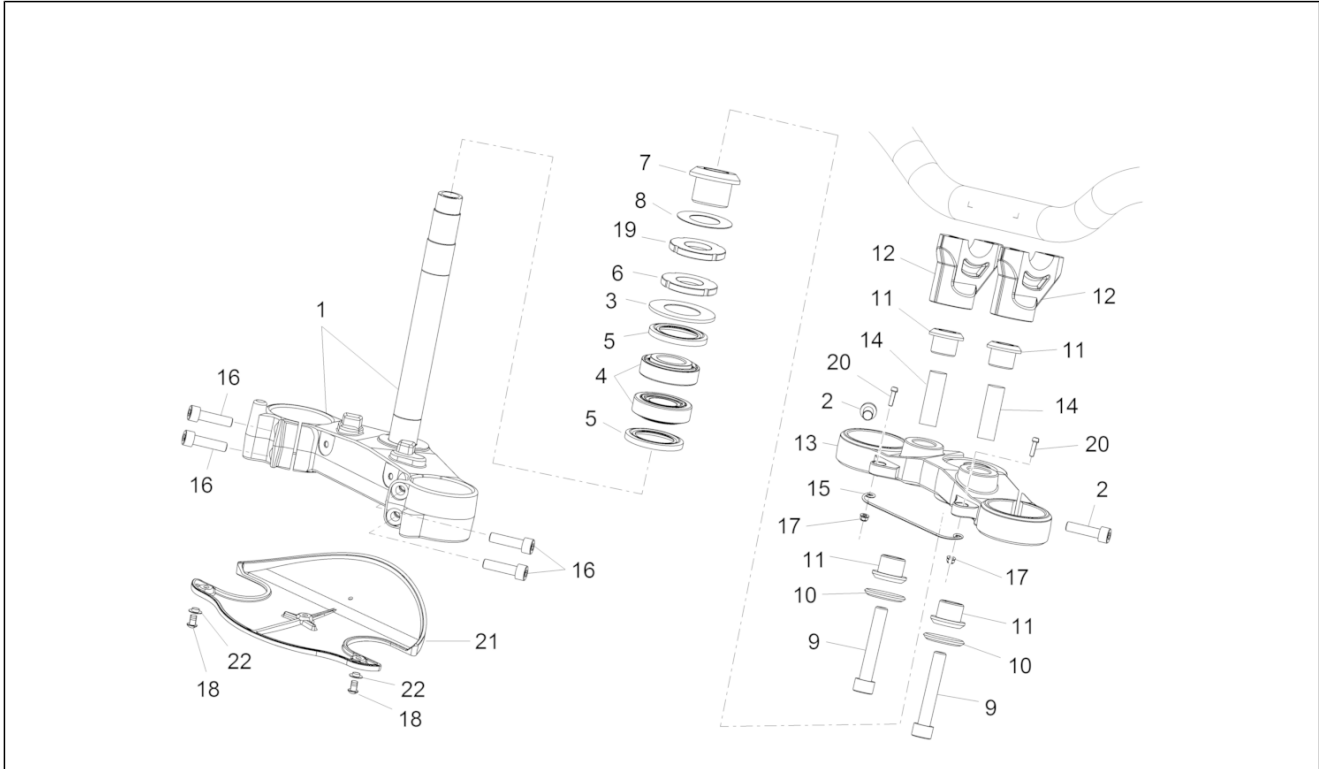
Pos.	Code	Description	Qty	Variants
1	895571	Rear brake caliper	1	
2	896254	Pads pair	1	
3	AP8133907	Pin+split pin	2	
4	AP8133827	Spring+plate	1	
5	AP8113548	Guard	1	
6	AP8133502	Air bleed valve	1	
7	AP8113070	Bleed valve cap	1	

Group	Brake system
Code	06.050
Description	ABS Brake system
Service	1



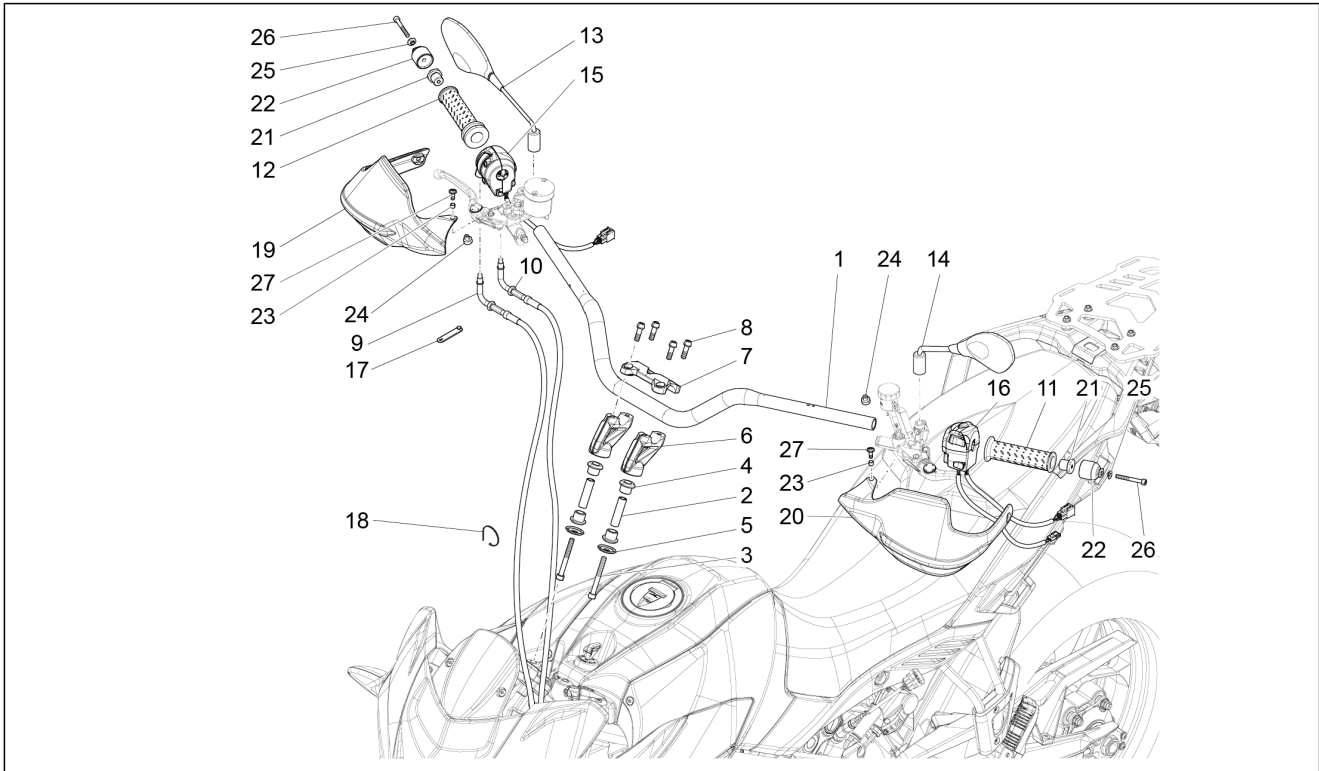
Pos.	Code	Description	Qty	Variants
1	B045948	ABS unit right brake pump pipe	1	
2	B046052	front brake pipe clamp-clamp	1	
3	AP8133945	Bleeder kit	2	
4	AP8113004	Washer 10x14x1,6*	10	
5	AP8113003	Oil pipe screw *	2	
6	B045949	ABS unit brake pipe - front brake pin	1	
7	899811	Tube clamping screw	1	
8	AP9100519	Spring	4	
9	887696	Cluster ABS control unit	1	
10	859789	Plate	1	
11	AP8152280	Screw w/ flange M6x25	3	
12	AP8150015	Washer 6,6x18x1,6*	3	
13	AP8120030	Rubber spacer	3	
14	AP8221007	Spacer 6,5X10X11*	3	
15	AP8152299	Self-locking nut M6	1	
16	B046000	Brake hose holder plate	1	
17	B045950	ABS unit right brake pump pipe	1	
18	B045951	Rear brake pipe	1	
19	860484	Plate	1	
20	AP8120416	Black hose 178x4	1	
21	2B000550	Dual cable grommet D12	1	

Group	Handlebar - Controls
Code	07.010
Description	Steering
Service	1



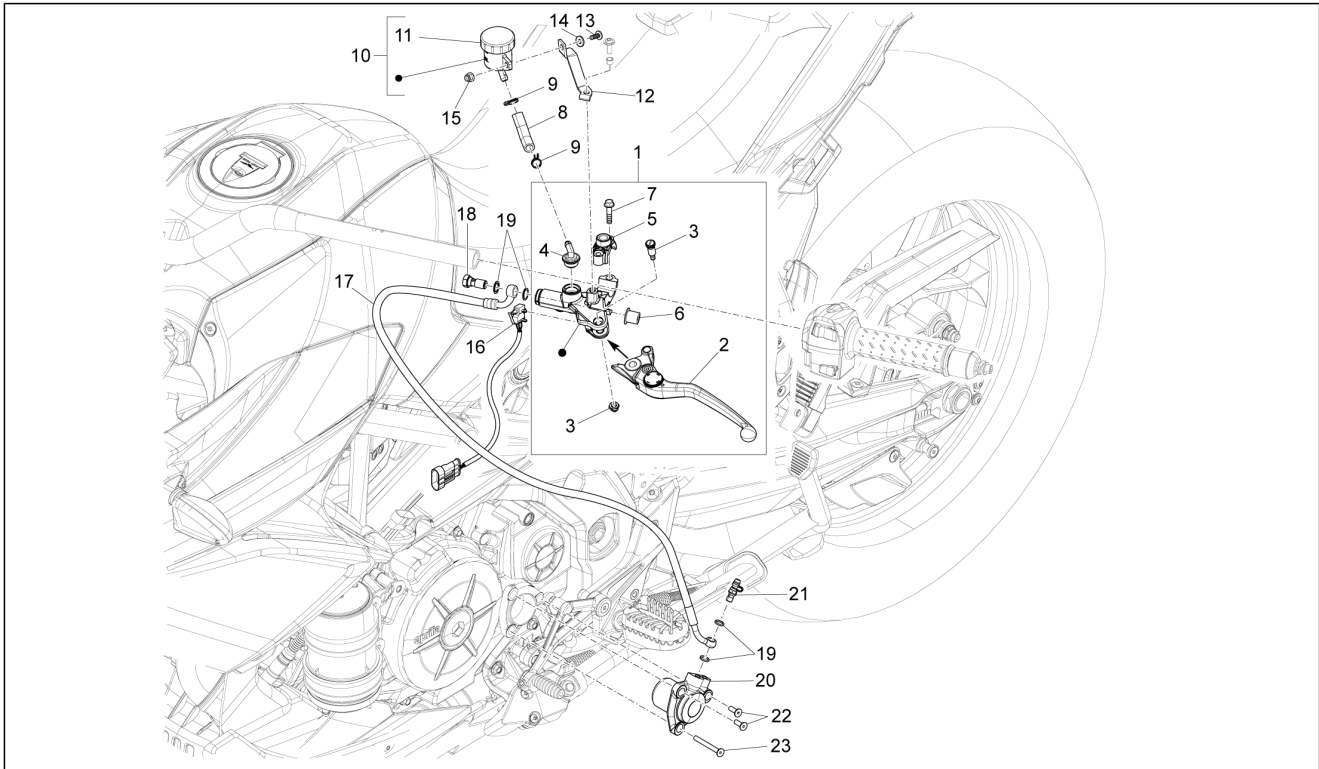
Pos.	Code	Description	Qty	Variants
1	B045254	Lower fork plate	1	
2	AP8152187	Low head socket screw	2	
3	AP8123644	Dust cover ring	1	
4	AP8110077	Axial ball bearing	2	
5	AP8123641	Dust cover ring	2	
6	B046343	Ring nut M35X1	1	
7	B045392	Handlebar plate plug	1	
8	2B000099	Flat washer	1	
9	AP8150088	Hex socket screw M10x70	2	
10	AP8123721	Cup	2	
11	AP8144222	Rubber spacer	4	
12	854815	Lower U-bolt	2	
13	B045255	Fork upper plate	1	
14	B046057	Spacer	2	
15	2B000100	Fairlead	1	
16	AP8150236	Hex socket screw M8x35	4	
17	AP8152306	Self-locking nut m5	2	
18	AP8152278	Screw w/ flange M6x16	2	
19	AP8123642	Ring nut	1	
20	AP8150454	Hex socket screw M5x16	2	
21	2B000143	plate cover	1	
22	AP8121811	T bush	2	

Group	Handlebar - Controls
Code	07.020
Description	Handlebar - Controls
Service	1



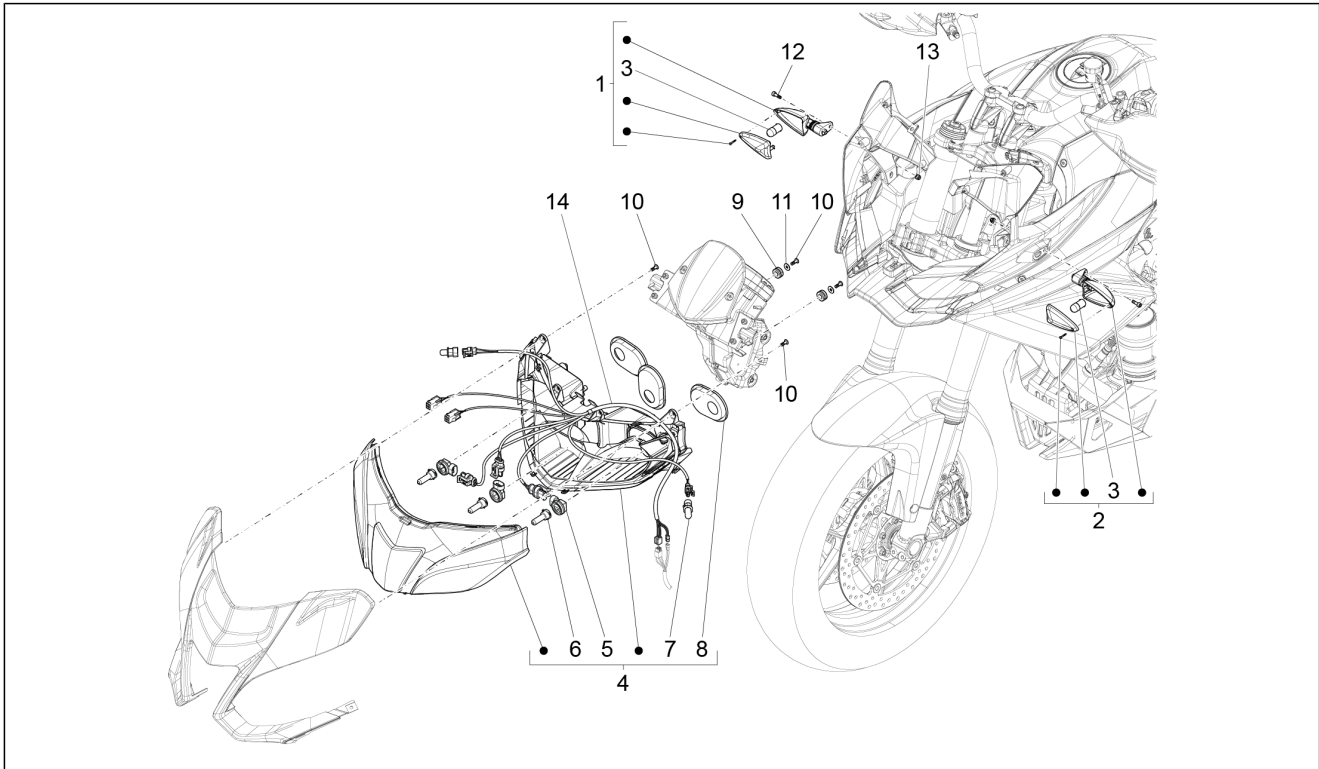
Pos.	Code	Description	Qty	Variants
1	B044478	Handlebar	1	
2	B046057	Spacer	2	
3	AP8152316	Screw w/ flange M10x75	2	
4	AP8152316	Screw w/ flange M10x75	2	
5	AP8123511	Cup	2	
6	854815	Lower U-bolt	2	
7	851628	Upper U-bolt	1	
8	AP8152486	Screw M8x25 INOX	4	
9	B045614	Opening throttle cable	1	
10	B045615	Closure throttle cable	1	
11	AP8118579	LH hand grip	1	
12	GU01603480	RH hand grip	1	
13	896663	Rh side mirror	1	
14	858539	Lh side mirror	1	
15	B044217	RH lights selector	1	
15	B044218	RH lights selector cruise control	1	
16	896107	LH lights selector	1	
17	860744	Hose clamp	1	
18	AP8120416	Black hose 178x4	1	
19	B044835	RH handguard	1	
20	B044836	LH handguard	1	
21	AP8121520	Anti vib.weight trailing	2	
22	859949	Anti.v weight, black	2	
23	AP8120253	Spacer	1	
24	AP8144081	Rubber spacer	2	
25	AP8121032	Bush	2	
26	AP8150324	Hex socket screw M6x50	2	
27	AP8152246	Screw w/ flange M6x16	2	

Group	Handlebar - Controls
Code	07.030
Description	Clutch control
Service	1



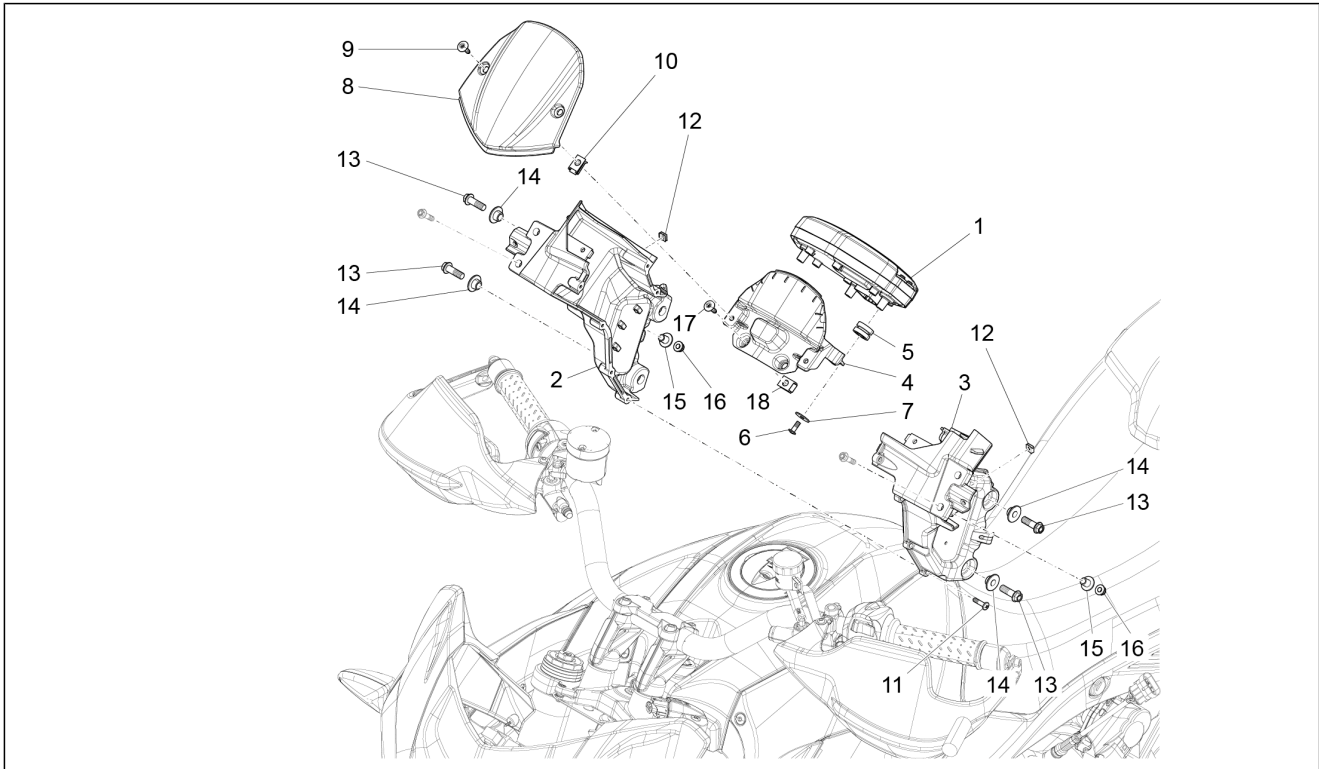
Pos.	Code	Description	Qty	Variants
1	896259	Clutch pump	1	
2	AP8113758	Clutch lever	1	
3	AP8113719	Lever pin	1	
4	AP8213057	Rear brake pump union	1	
5	AP8168501	Rearview mirror base	1	
6	AP8133522	Guard	1	
7	AP8213299	Cap screw	1	
8	890509	Rubber pipe	1	
9	AP8101595	Hose clamp D10,1	2	
10	AP8106382	Oil tank	1	
11	AP8113553	Tank cap	1	
12	AP8134898	Oil tank plate	1	
13	AP8150538	Hex socket screw M5x10	1	
14	AP8150272	Curved spring washer 5,3x10x0,5	1	
15	AP8150539	Cap nut	1	
16	B044511	clutch switch	1	
17	B045999	Clutch pipe	1	
18	AP8113003	Oil pipe screw *	1	
19	AP8113004	Washer 10x14x1,6*	4	
20	85221R	Clutch command cylinder	1	
21	AP8133945	Bleeder kit	1	
22	874037	Screw	2	
23	873268	Screw	1	

Group	Lights - Instruments
Code	08.010
Description	Front lights
Service	1



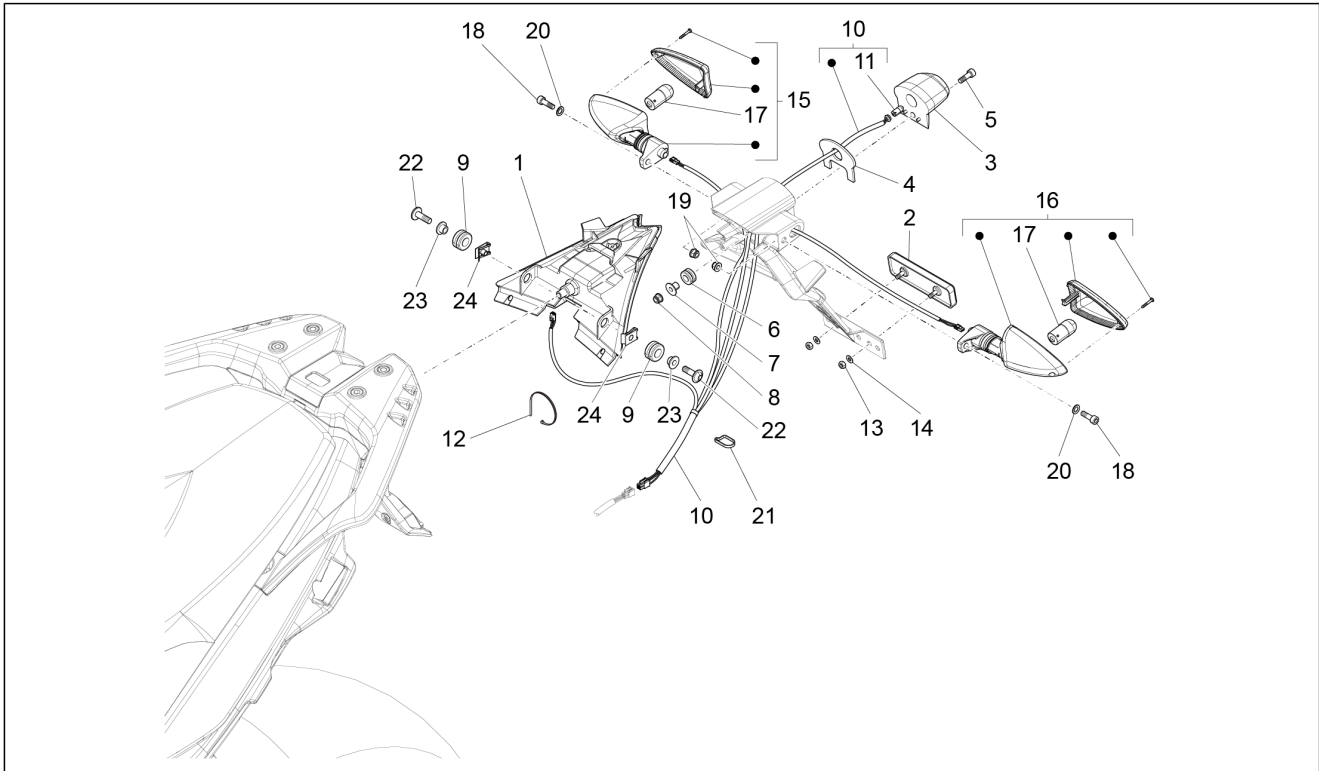
Pos.	Code	Description	Qty	Variants
1	854555	RH front turn indicator	2	
2	854556	LH front turn indicator	2	
3	AP8127489	Lamp RY10W 12V	1	
4	B045586	Headlight	1	
5	893930	Lamp holder	2	
6	640754	Lamp H11 12V 55W	3	
7	893929	Lamp W5WB 2V 5W	2	
8	894796	Front headlight guard	3	
9	AP8120030	Rubber spacer	3	
10	AP8150509	Self-tap screw 5x14	6	
11	AP8150382	Washer 15x5,5X1,2	2	
12	620344	Hex socket screw M6x20	2	
13	AP8152299	Self-locking nut M6	2	
14	858867	Headlight wiring w/harness	1	

Group	Lights - Instruments
Code	08.020
Description	Instruments
Service	1



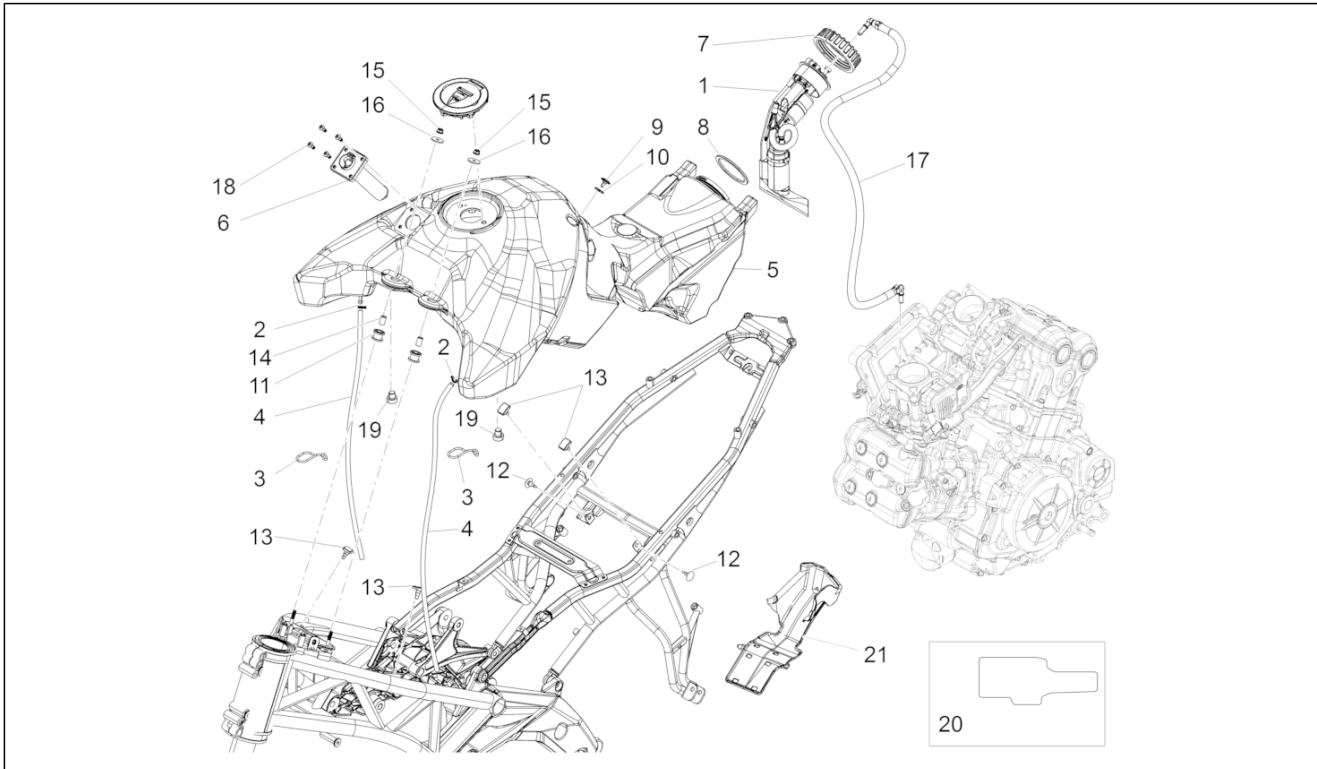
Pos.	Code	Description	Qty	Variants
1	B043265	Dashboard	1	
2	B044246	Right instrument panel support	1	
3	B044247	Left instrument panel support	1	
4	B044248	Dashboard lockup	1	
5	AP8220150	Rubber spacer	3	
6	AP8150509	Self-tap screw 5x14	3	
7	AP8150255	Washer 5x20x1,5	3	
8	B045015	Dashboard lid	1	
9	AP8150500	Hex socket screw M5x9	2	
10	AP8102375	Clip m5	2	
11	AP8152329	Phillips screw, SWP M5x20	6	
12	CM017403	Spring plate	2	
13	AP8152287	Screw w/ flange M8x25	4	
14	AP8121716	T bush	4	
15	AP8121665	T bush	4	
16	AP8152299	Self-locking nut M6	4	
17	AP8152302	Screw w/ flange M5x12	2	
18	248419	Spring plate m5	2	

Group	Lights - Instruments
Code	08.030
Description	Rear lights
Service	1



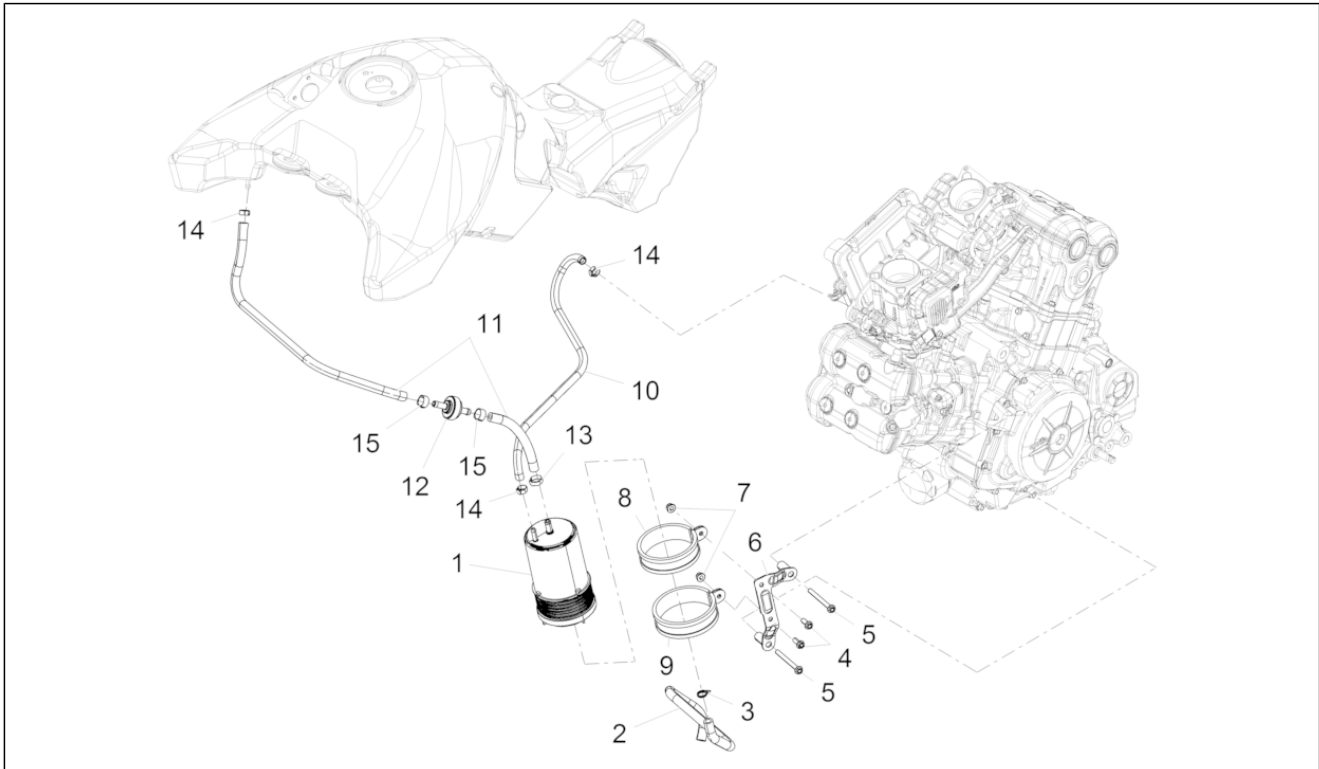
Pos.	Code	Description	Qty	Variants
1	858730	Taillight	1	
2	AP8112916	Rear reflector	1	
3	AP8127098	Number-plate light	1	
4	AP8117258	Vibration-damping rubber	1	
5	AP8150522	Screw 4,2x16	1	
6	AP8112600	Rubber spacer	1	
7	894566	T bush	1	
8	AP8152306	Self-locking nut m5	1	
9	AP8112600	Rubber spacer	2	
10	B044716	Taillight wiring harness	1	
11	292022	Lamp 12V-5W	1	
12	AP8120657	Hose clamp	1	
13	AP8150204	Nut M4	2	
14	AP8150158	Washer 4,3X9X0,8	2	
15	AP8127803	Turn signal lamp DX	1	
16	AP8127804	Turn signal lamp SX	1	
17	AP8127489	Lamp RY10W 12V	1	
18	AP8150050	Hex socket screw M5x16	2	
19	AP8152306	Self-locking nut m5	2	
20	AP8150177	Washer 5,3X10X1	2	
21	AP8102386	Hose clamp 155x2	1	
22	AP8152298	Screw w/ flange M5x16	2	
23	AP8121795	T bush	2	
24	AP8102375	Clip m5	2	

Group	Tank
Code	09.010
Description	Fuel tank
Service	1



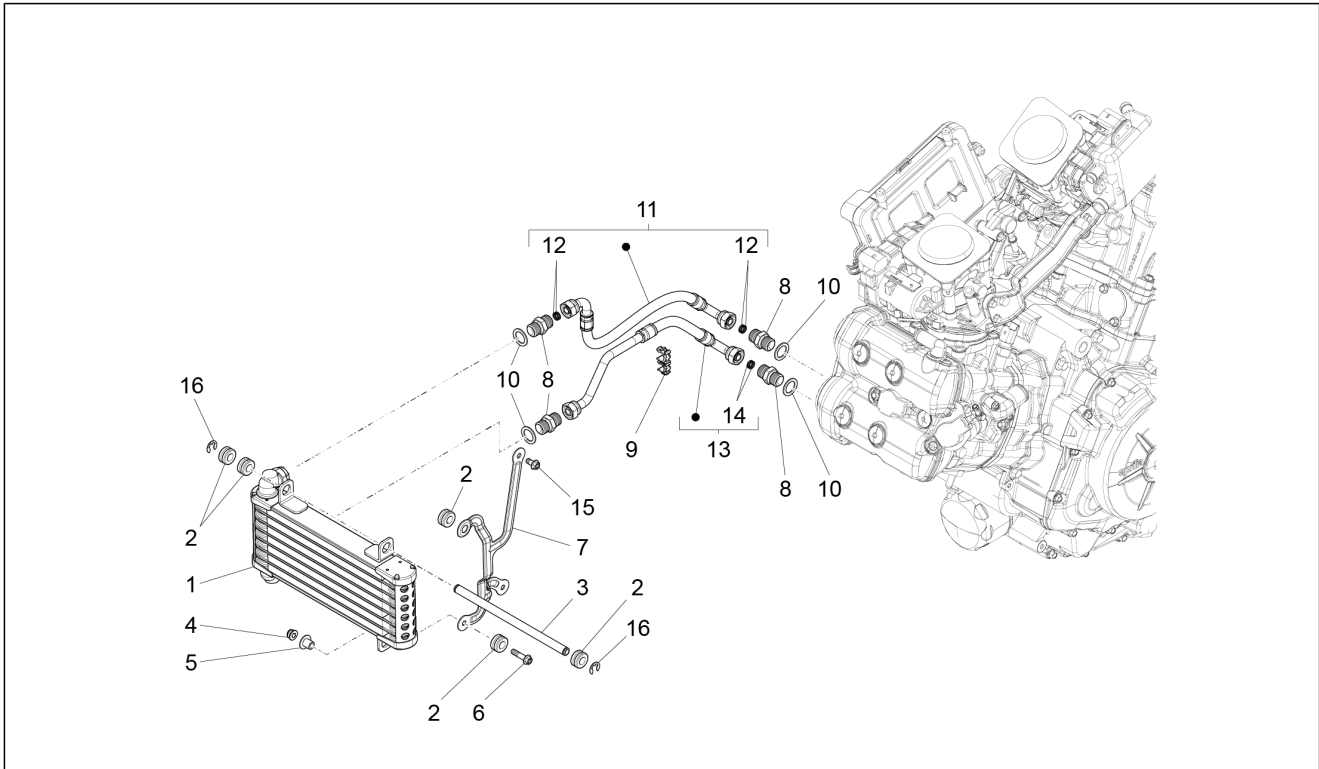
Pos.	Code	Description	Qty	Variants
1	B045626	Fuel pump	1	
2	AP8101595	Hose clamp D10,1	2	
3	AP8121889	Cable-guide	2	
4	AP8120952	Fuel pipe 5,5x10	2	
5	B045320	Fuel tank	1	
6	2B000037	Indicator fuel level	1	
7	AP8158359	Ring nut	1	
8	854937	Gasket	1	
9	AP8161127	Fixing pin	1	
10	AP8150255	Washer 5x20x1,5	1	
11	AP8144328	Rubber spacer	2	
12	AP8120001	Rubber spacer	2	
13	AP8120455	Rubber spacer	4	
14	AP8121718	Headlight bush	2	
15	AP8152299	Self-locking nut M6	2	
16	AP8150016	Washer 6,6x18x1,6	2	
17	2B000477	Fuel pipe	1	
18	AP8150044	Hex socket screw M6x20	4	
19	AP8144158	Rubber spacer	2	
20	2B000362	Protection	1	
21	2B000523	Fuel tank cover	1	

Group	Tank
Code	09.020
Description	Fuel vapour recover system
Service	1



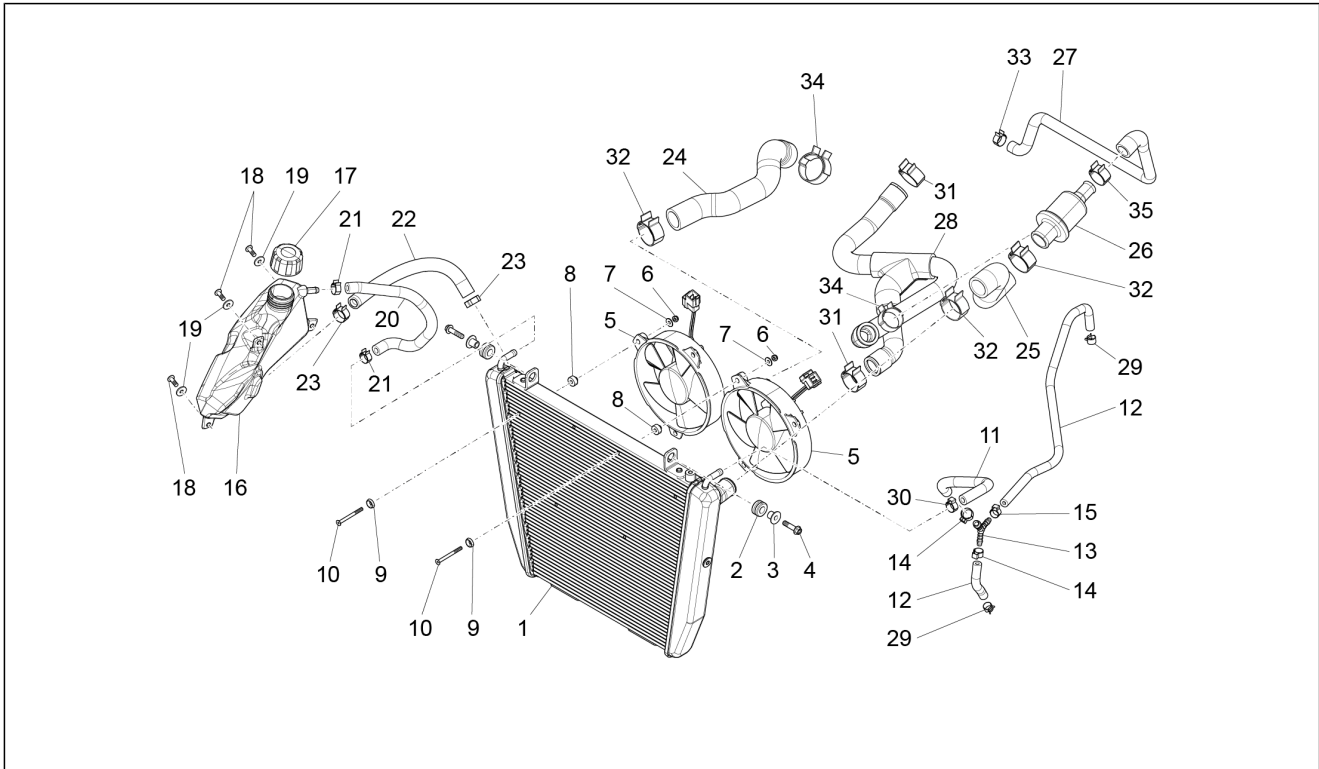
Pos.	Code	Description	Qty	Variants
1	AP8102678	Carbon filter	1	
2	AP8120905	Fuel pipe 8x13	1	
3	AP8102520	Hose clamp	1	
4	AP8152278	Screw w/ flange M6x16	2	
5	AP9150395	Screw w/ flange M6x60	2	
6	898247	Canister support USA	1	
7	AP8152299	Self-locking nut M6	2	
8	AP8102688	Hose clamp d.76	1	
9	AP8102719	Hose clamp d.80,5	1	
10	856062	pipe SAE 30 d.11,11x4,8	1	
11	856063	pipe SAE 30 d.12,7x6,35	1	
12	860138	Valve	1	
13	AP8102764	White hose clip d.13x6	1	
14	AP8120446	Hose clip, green D11x6,6x1	3	
15	AP8102239	Hose clamp 12,5x8	2	

Group	Cooling system
Code	10.010
Description	Oil radiator
Service	1



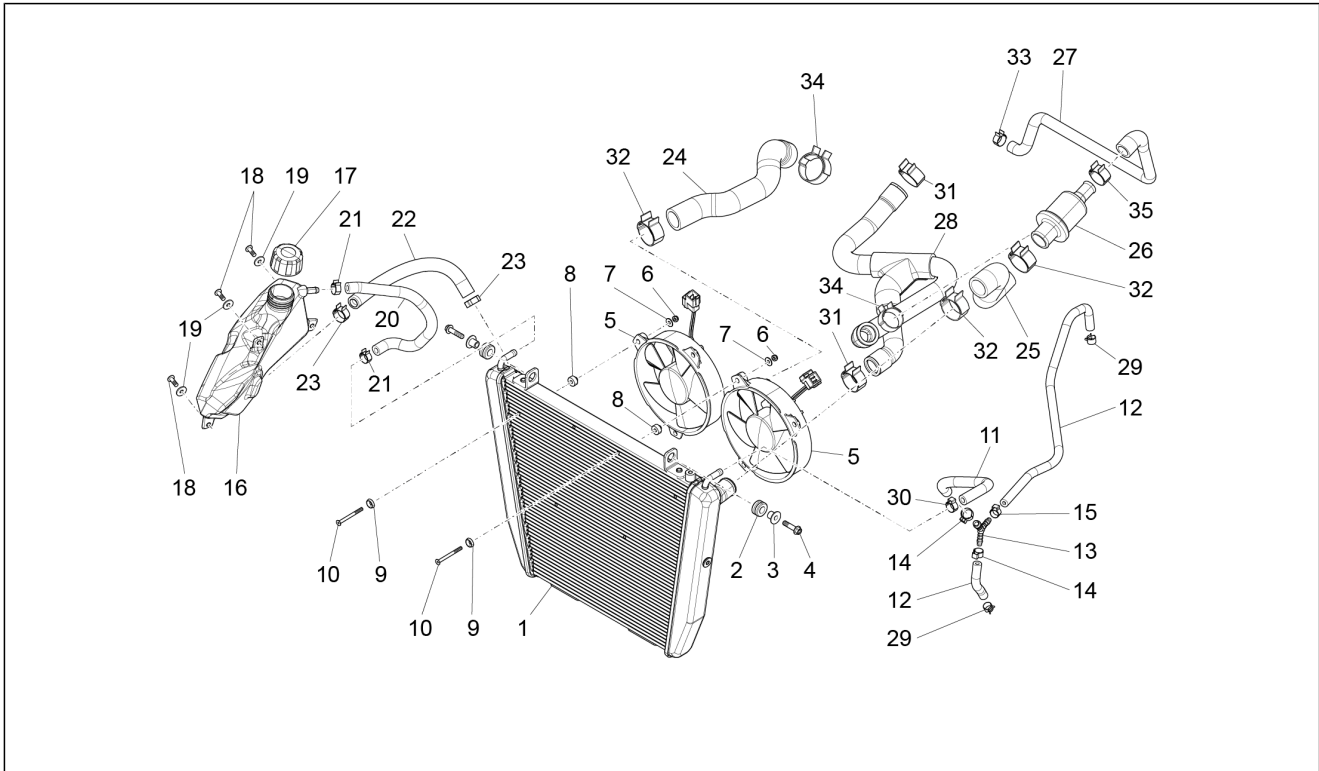
Pos.	Code	Description	Qty	Variants
1	895999	Oil cooler	1	
2	AP8120030	Rubber spacer	5	
3	2B000077	Spacer	1	
4	AP8152299	Self-locking nut M6	1	
5	AP8221023	T bush	1	
6	AP8152280	Screw w/ flange M6x25	1	
7	2B000078	Water cooler support	1	
8	GU01161331	Reduction	4	
9	2B000550	Dual cable grommet D12	1	
10	GU01154230	Gasket	4	
11	2B000068	Oil pipe	1	
12	899064	O-ring	4	
13	2B000069	Oil pipe	1	
14	899064	O-ring	2	
15	AP8152277	Screw w/ flange M6x12	1	
16	AP8121428	Circlip d8	2	

Group	Cooling system
Code	10.020
Description	Cooling system
Service	1



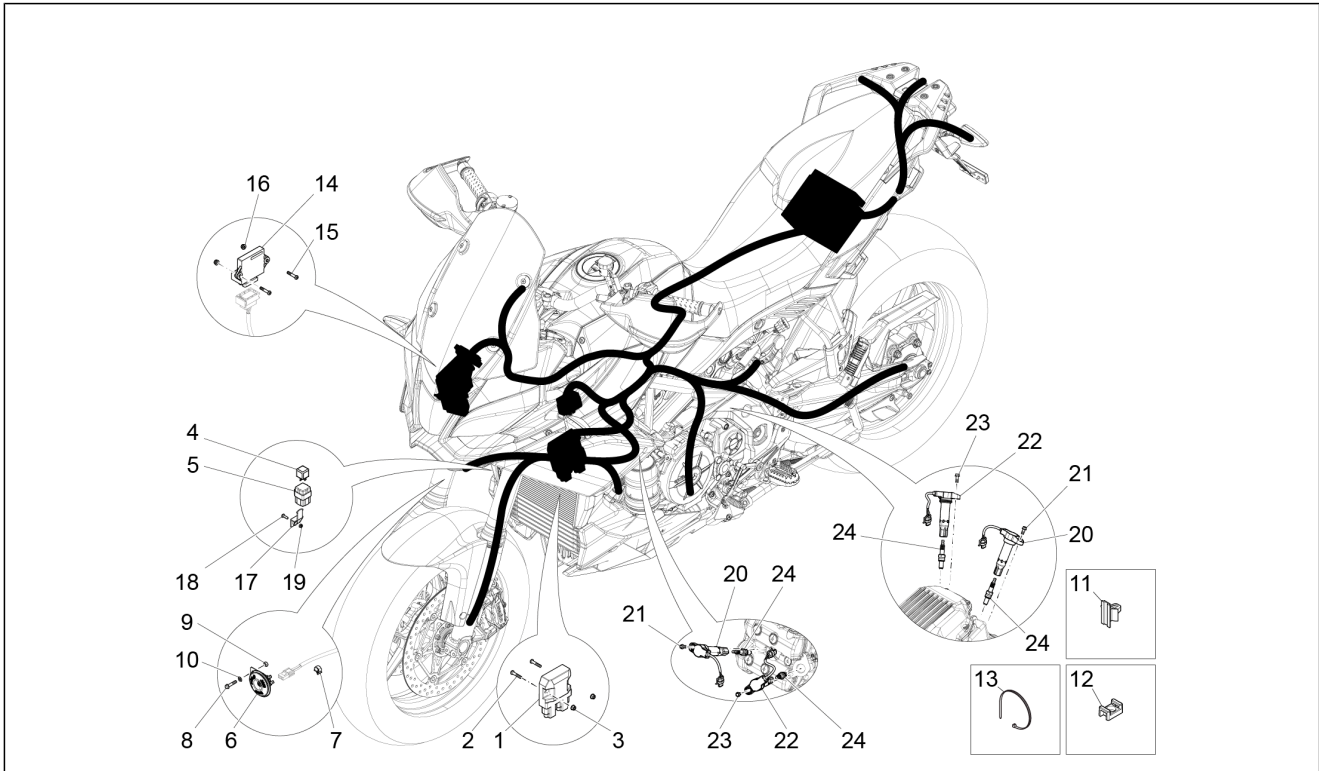
Pos.	Code	Description	Qty	Variants
1	B046128	Water cooler	1	
2	AP8120030	Rubber spacer	2	
3	AP8221023	T bush	2	
4	AP8152280	Screw w/ flange M6x25	2	
5	622055	Fan, cpl.	2	
6	AP8150204	Nut M4	6	
7	AP8150011	Washer 4,3x12x1	6	
8	893513	Spacer	6	
9	893823	Washer d4,5	6	
10	893514	Screw	6	
11	AP8144506	Breather pipe 7,5X3,5	1	
12	897036	Breather pipe	2	
13	897035	"Y" union	1	
14	CM001901	Hose clamp	2	
15	CM001903	Hose clamp	1	
16	B045075	Expansion tank	1	
17	573454	Tank cap	1	
18	AP8150509	Self-tap screw 5x14	3	
19	AP8150013	Washer 5,5x15x1,6*	3	
20	2B000174	Breather pipe	1	
21	CM226901	Spring clamp 15/12	2	
22	2B000175	Water rad.feed pipe	1	
23	CM226902	Spring clamp 19/12	2	
24	2B000055	Connecting pipe	1	
25	2B000054	Cooler pipe	1	
26	834232	Thermostat valve set 85°C	1	
27	894511	Motor-pump valve tube	1	
28	894512	3-way pipe	1	

Group	Cooling system
Code	10.020
Description	Cooling system
Service	1



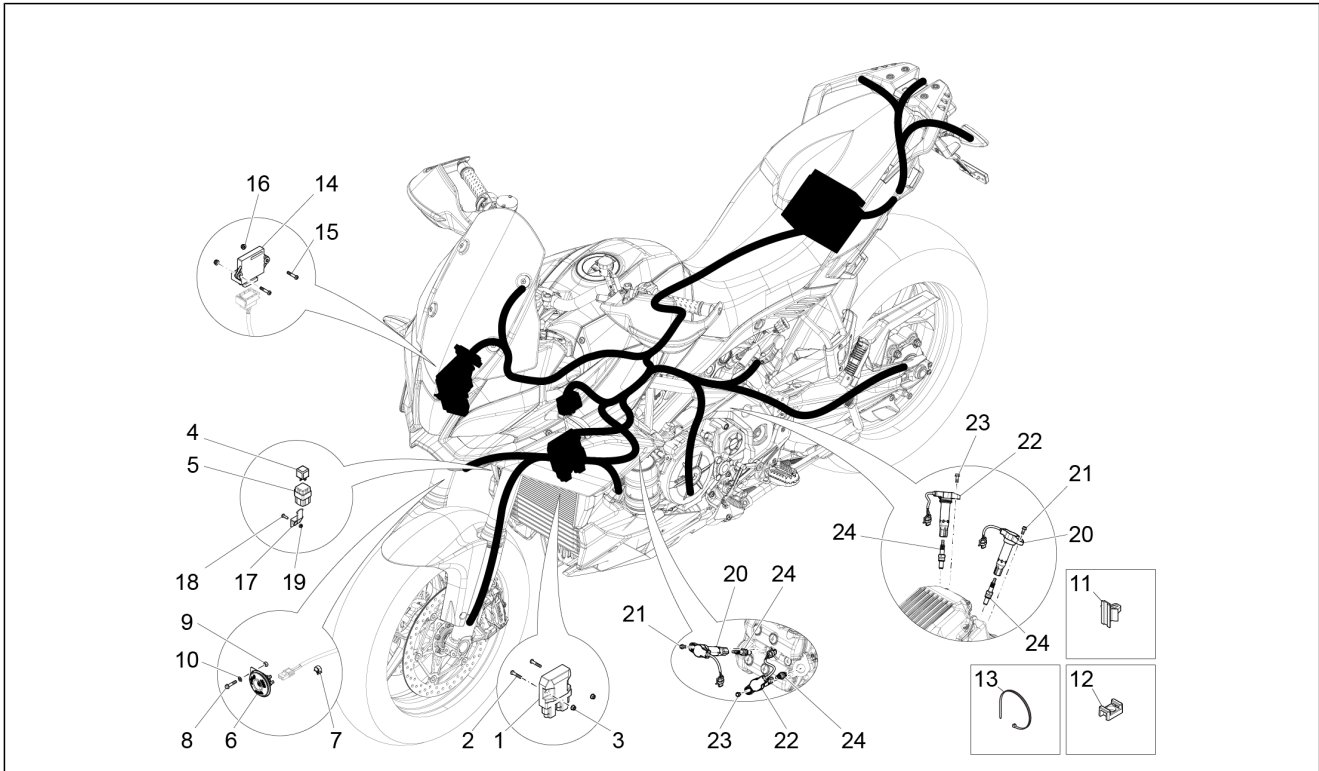
Pos.	Code	Description	Qty	Variants
29	898060	Hose clamp	2	
30	CM226901	Spring clamp 15/12	1	
31	CM226909	Spring clamp 29/12	2	
32	CM226905	Spring clamp 32/12	3	
33	CM226903	Spring clamp 22/12	1	
34	CM226906	Spring clamp 35/12	2	
35	CM226908	Spring clamp 15/12	1	

Group	Electrical systems
Code	11.010
Description	Front electrical system
Service	1



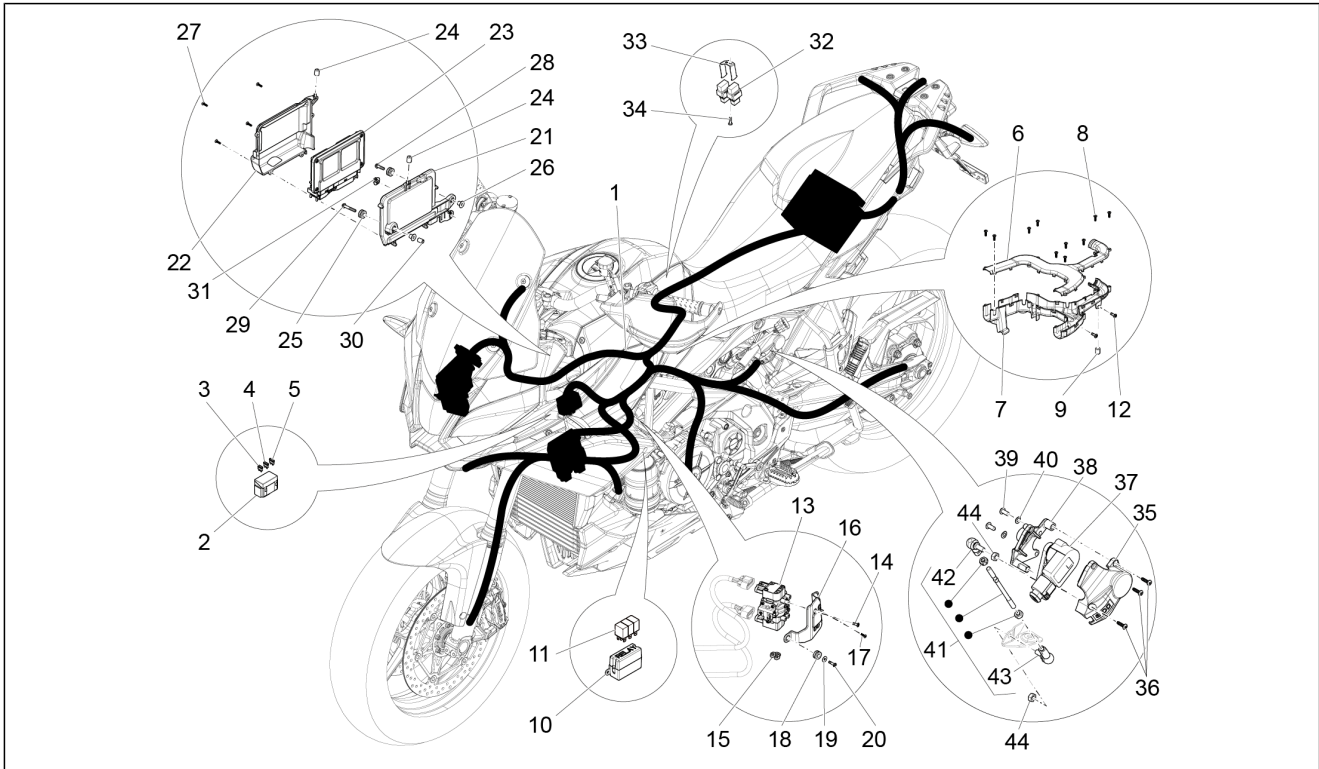
Pos.	Code	Description	Qty	Variants
1	680167	Voltage regulator	1	
2	AP8152128	Hex socket screw M6x30	2	
3	AP8152299	Self-locking nut M6	2	
4	895481	Injection relay 12V 40W	1	
5	896715	Relay rubber	1	
6	2B000221	Horn	1	
7	231590	Elastic spring	1	
8	AP8152277	Screw w/ flange M6x12	1	
9	AP8152299	Self-locking nut M6	1	
10	658830	Curved spring washer 6x12	1	
11	895807	Instrument support	1	
12	896675	Wiring harness support	4	
13	AP8102386	Hose clamp 155x2	7	
13	AP8120416	Black hose 178x4	2	
13	AP8120657	Hose clamp	13	
14	890933	ECU VCU	1	
14	B045321	Exhaust valve control unit	1	
15	AP8150265	Hex socket screw	2	
15	AP8152128	Hex socket screw M6x30	2	
16	AP8152299	Self-locking nut M6	2	
16	AP8152306	Self-locking nut m5	2	
17	AP8234094	Fuse block support	1	
18	AP8152268	Hex socket screw M5x16	1	
19	AP8150451	Low self-locking nut	1	
20	875914	HT coil	2	
21	874554	Screw w/ flange M6x14	2	
22	876455	HT coil	2	
23	874555	screw	2	

Group	Electrical systems
Code	11.010
Description	Front electrical system
Service	1



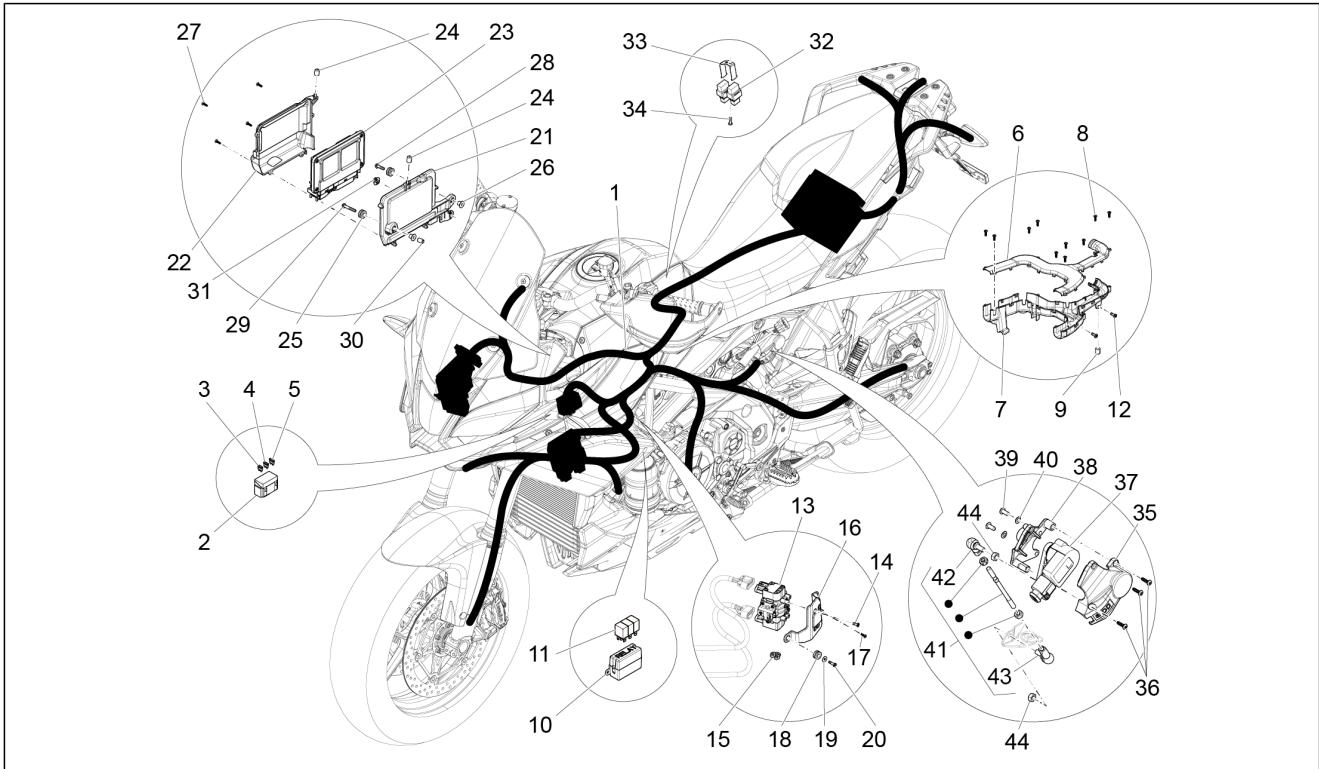
Pos.	Code	Description	Qty	Variants
24	639687	Spark plug CR8EKB	4	

Group	Electrical systems
Code	11.020
Description	Central electrical system
Service	1



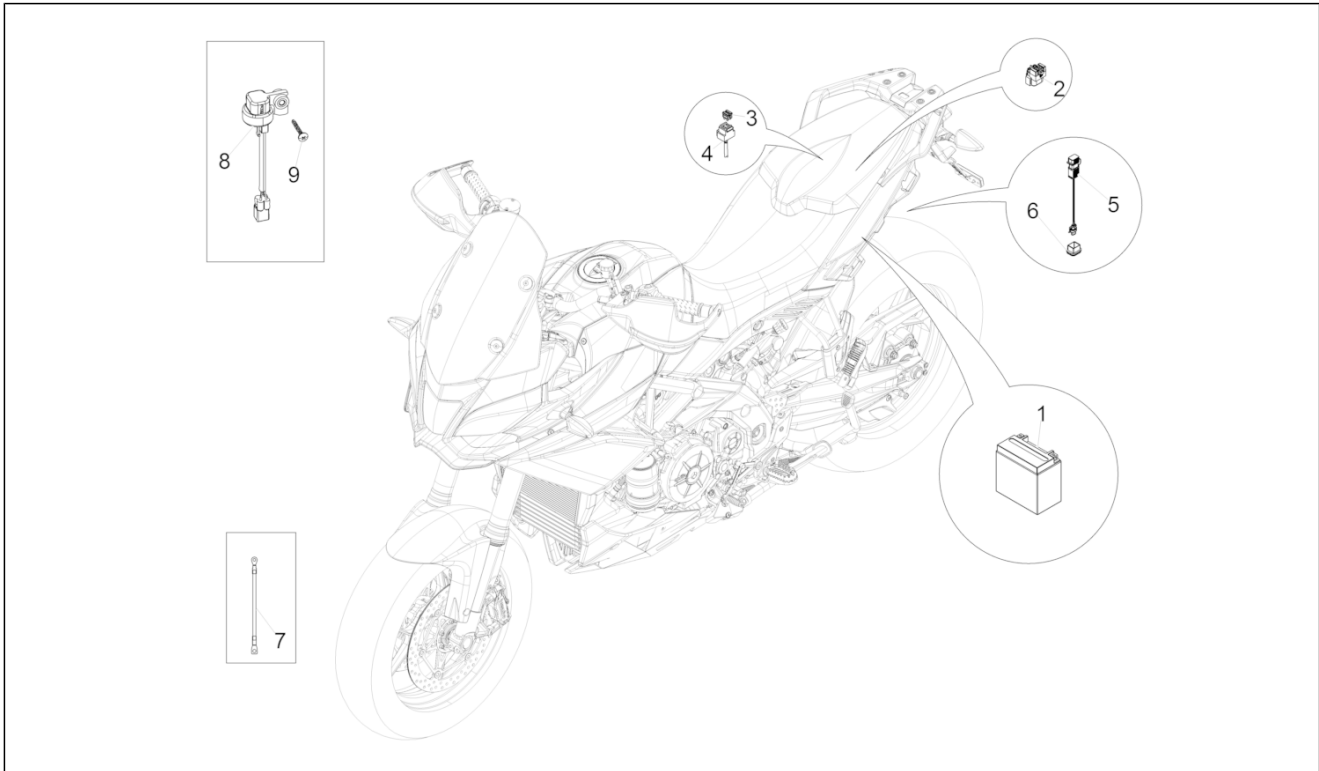
Pos.	Code	Description	Qty	Variants
1	2D000001	Cable harness	1	
1	2D000002	Cable harness	1	
2	894603	Fuse holder box	1	
3	CM225610	Fuse 10A	1	
4	CM225607	Fuse 7,5A	2	
5	CM225615	Fuse 15A	4	
6	B046225	Cable duct cover	1	
7	B046226	Cable duct base	1	
8	AP8150413	Self-tap screw 3,9x14	11	
9	AP8120712	Rubber spacer	1	
10	AP8124293	Relais support	1	
11	895907	Relay 20A	3	
12	AP8150509	Self-tap screw 5x14	2	
13	B044414	Accelerator position sensor	1	
14	AP8150509	Self-tap screw 5x14	4	
15	854811	Rubber spacer	1	
16	2B000128	Support bracket	1	
17	AP8150413	Self-tap screw 3,9x14	1	
18	AP8120030	Rubber spacer	3	
19	AP8150382	Washer 15x5,5X1,2	3	
20	AP8152329	Phillips screw, SWP M5x20	3	
21	2B000149	Holder	1	
22	2B000148	Control unit cover	1	
23	CM083529	Electronic control unit ECU for injection	1	
24	AP8120712	Rubber spacer	2	
25	AP8120030	Rubber spacer	2	
26	AP8221023	T bush	2	
27	AP8150413	Self-tap screw 3,9x14	4	

Group	Electrical systems
Code	11.020
Description	Central electrical system
Service	1



Pos.	Code	Description	Qty	Variants
28	AP8152279	Screw w/ flange M6x20	1	
29	AP8152282	Screw w/ flange M6x35	1	
30	AP8221017	Spacer	1	
31	890760	Instrument support	2	
32	AP8224462	Relay 12V/30A	5	
33	2B000115	Relais support	1	
34	AP8152329	Phillips screw, SWP M5x20	1	
35	B046008	***ELECTRIC DEVICE BRACKET	1	
36	AP8150413	Self-tap screw 3,9x14	3	
37	B045399	***M.I.U. INPUT DEVICE	1	
38	B046007	***ELECTRIC DEVICE BRACKET	1	
39	AP8152267	Hex socket screw M5x12	2	
40	AP8150272	Curved spring washer 5,3x10x0,5	2	
41	B046023	***SWING ARM COMPLETE	1	
42	898397	Left ball joint M6	1	
43	898396	RH ball joint M6	1	
44	AP8150026	Nut M6	2	

Group	Electrical systems
Code	11.030
Description	Rear electrical system
Service	1



Pos.	Code	Description	Qty	Variants
1	638733	Battery Yuasa 12V-12Ah (150x85x145)	1	
2	AP9100487	Starter relay	1	
3	AP8112811	Rubber fuse box	1	
4	CM225730	Fuse 30A	2	
5	643277	Socket USB	1	
6	643310	Fairlead	1	
7	2D000015	Battery cable	1	
8	642248	Fall sensor	1	
9	478533	Self-tap screw	1	